



Sd.Kfz. 250/1 Ausf.A

DW16018



AMIG/ATOM		Color Name
0046 / 20163	A	Black
0055 / 20194	B	Silver
0018 / -	C	Gelbbraun
0014 / 20042	D	Rotbraun
0058 / 20081-4; 205	E	Graugrün
0000 / 00000	F	White
0133 / 20058	G	Leather
0045 / 20167	H	Gun Metal
0006 / 20004	I	Wood
0092 / -	J	Transparent Green
0049 / 20049	K	Red
0239 / 20145	L	Neutral Grey

AMIG/ATOM		Color Name
F513 / 20080	M	Field Grey
0042 / 20047	N	Rust
0033 / 20159	O	Rubber
0132 / 20011	P	Canvas
0062 / 20146	Q	Blue Grey
0913 / 20053	R	Bakelit
0035 / 20063	S	Dark Tracks
0008 / 20160	T	Dunkelgrau
0066 / 20068	U	Basic Skin Tone
0129 / 20029	V	Orange

READ BEFORE ASSEMBLY

CAUTION

- Read carefully and fully understand the instructions before commencing assembly. A supervising adult should also read the instructions if a child assembles the model.
- When assembling this kit, tools including knives used. Extra care should be taken to avoid personal injury.
- Keep out of reach of small children. Children must not be allowed to suck any part, or pull vinyl bag over their heads.



Optional



Instant Glue
for Metal

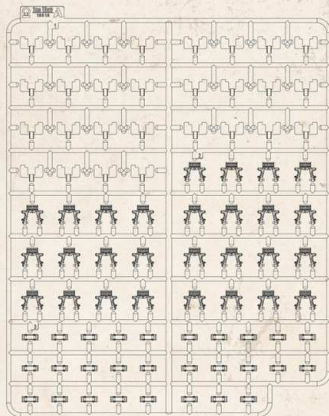


Do Not Cement

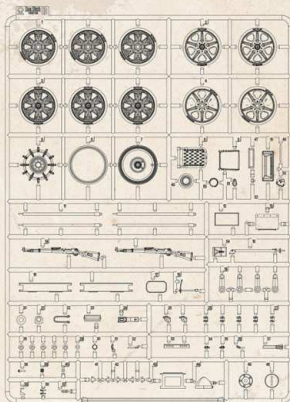


Be Careful

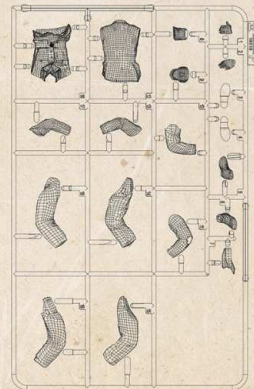
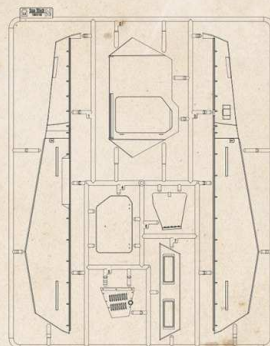
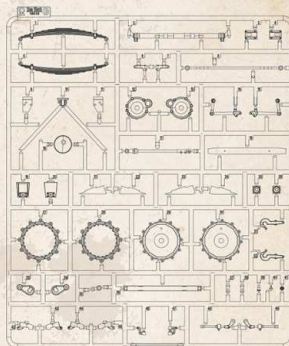
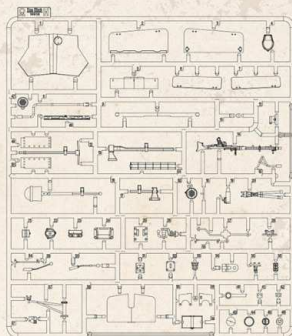
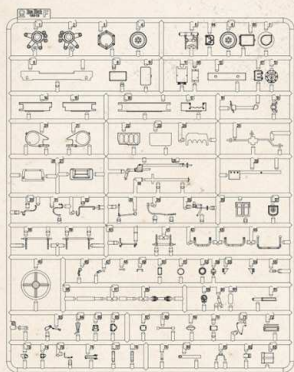
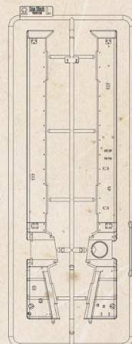
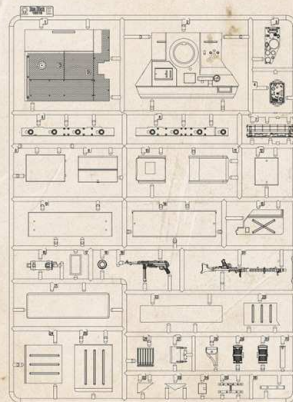
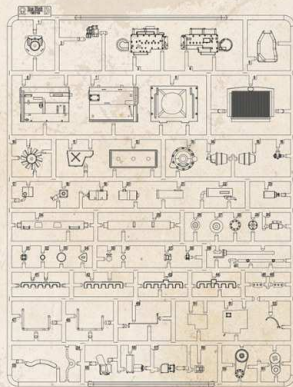
PARTS



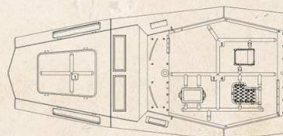
X3



X2



Cable



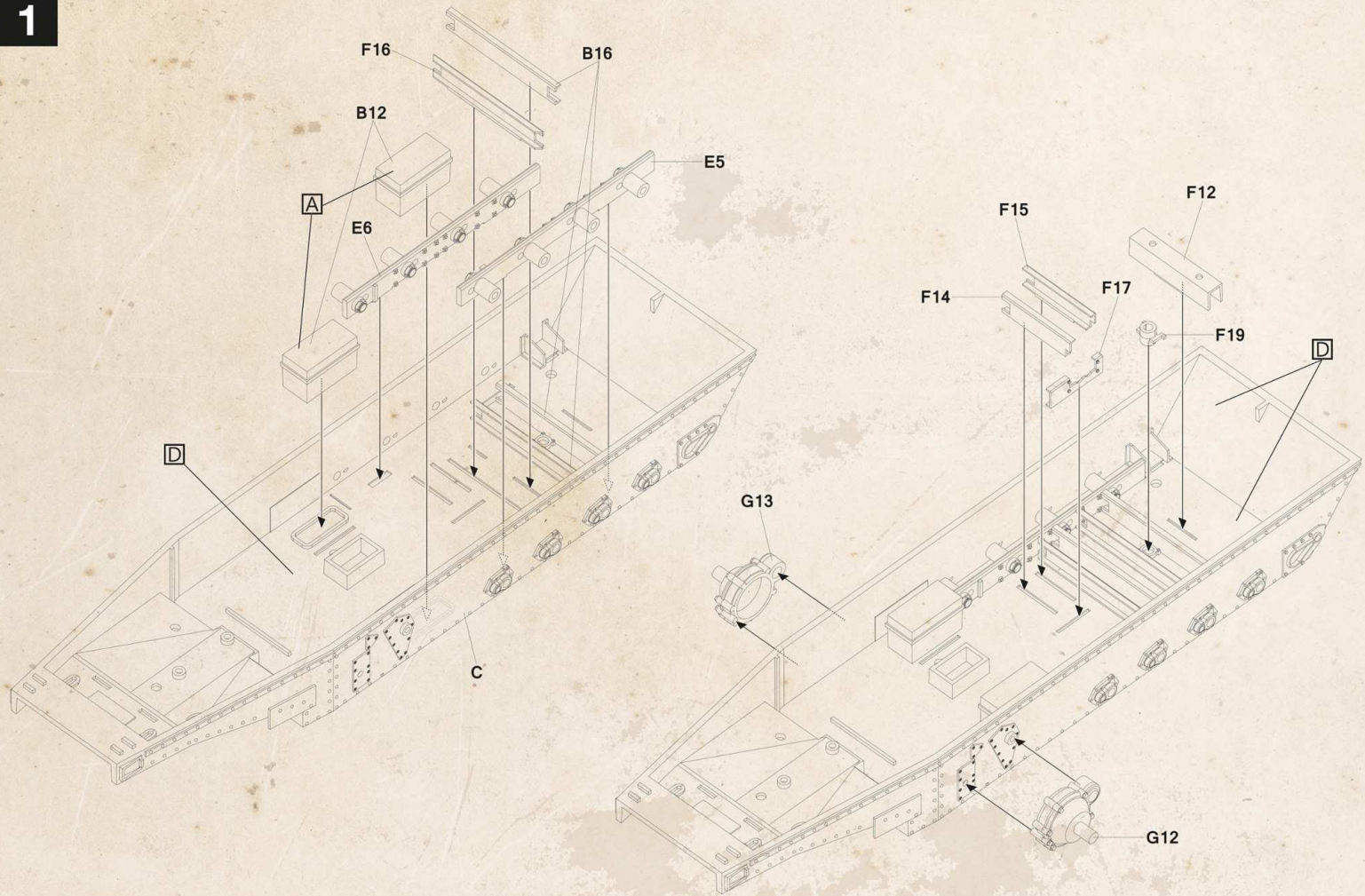
TP

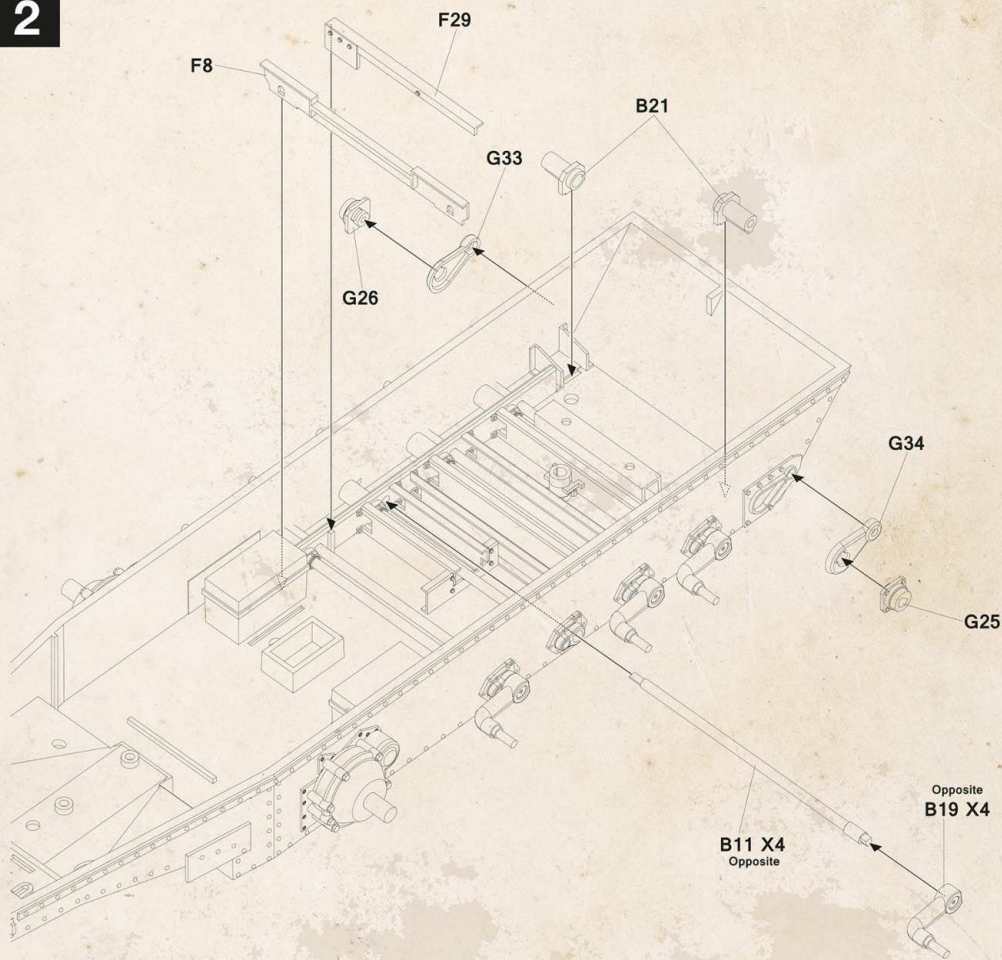
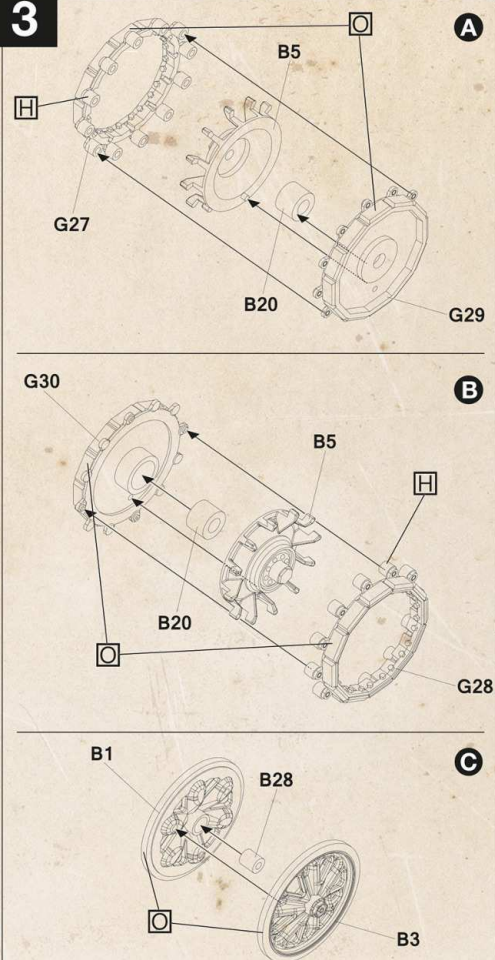


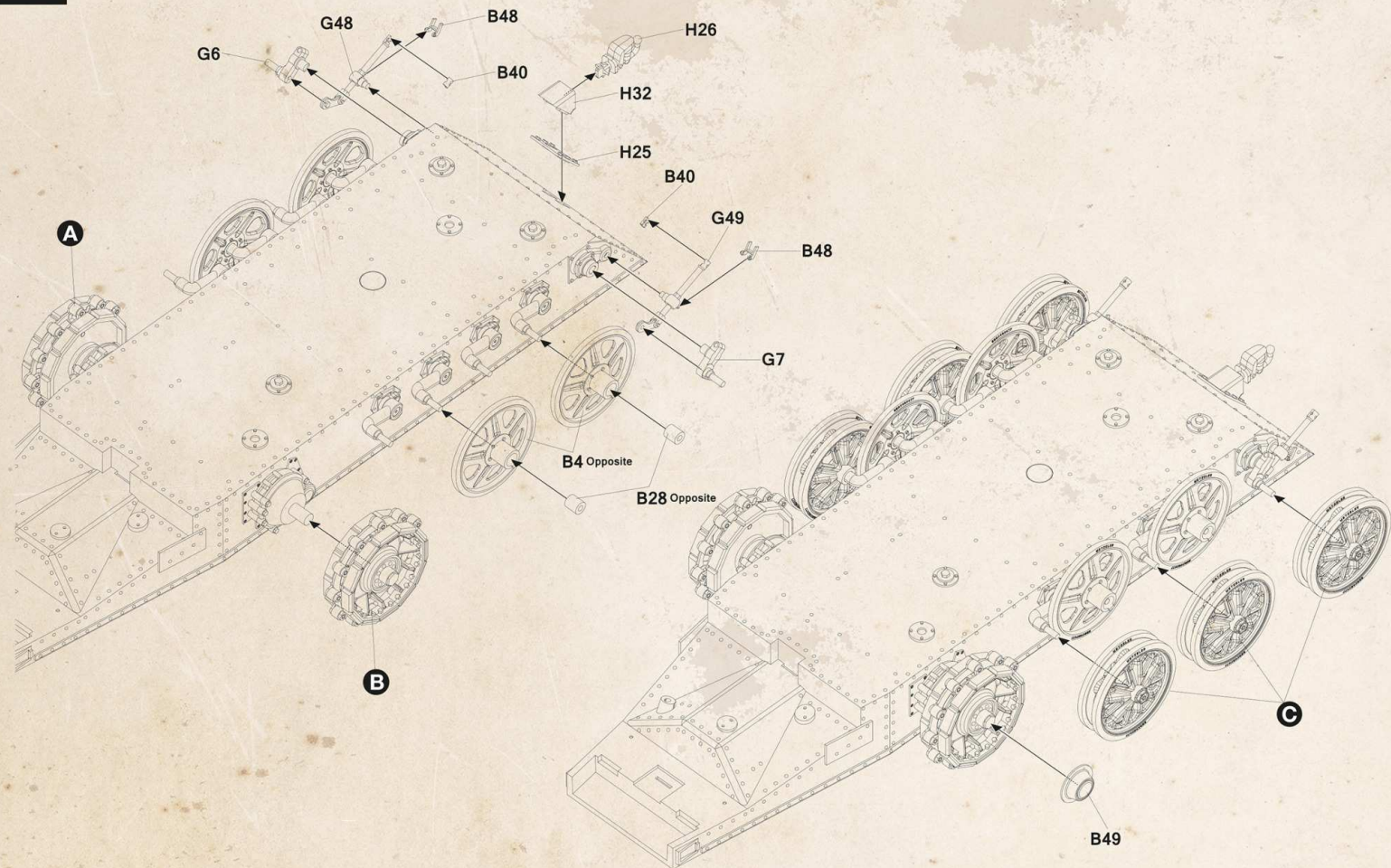
Decal



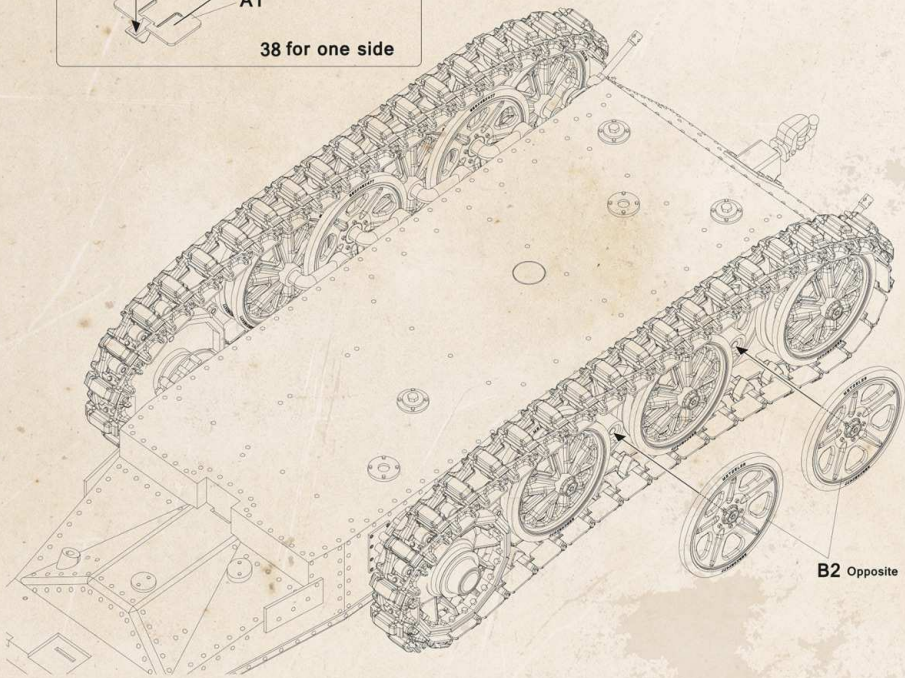
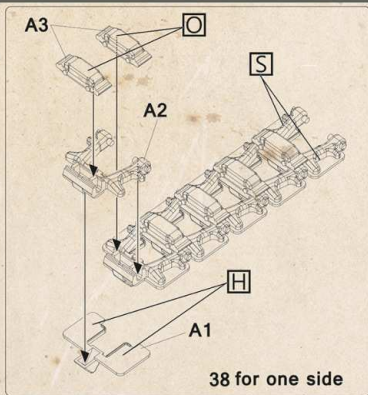
X2



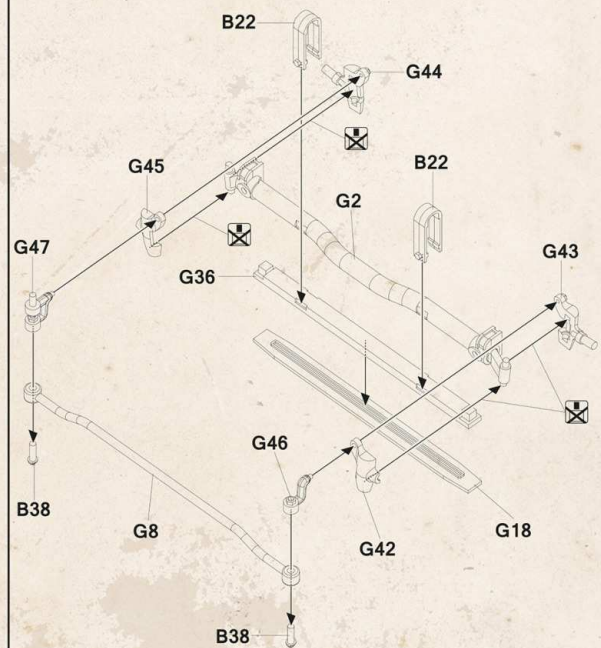
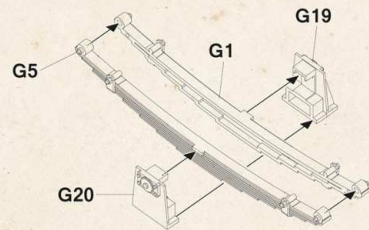
2**3**



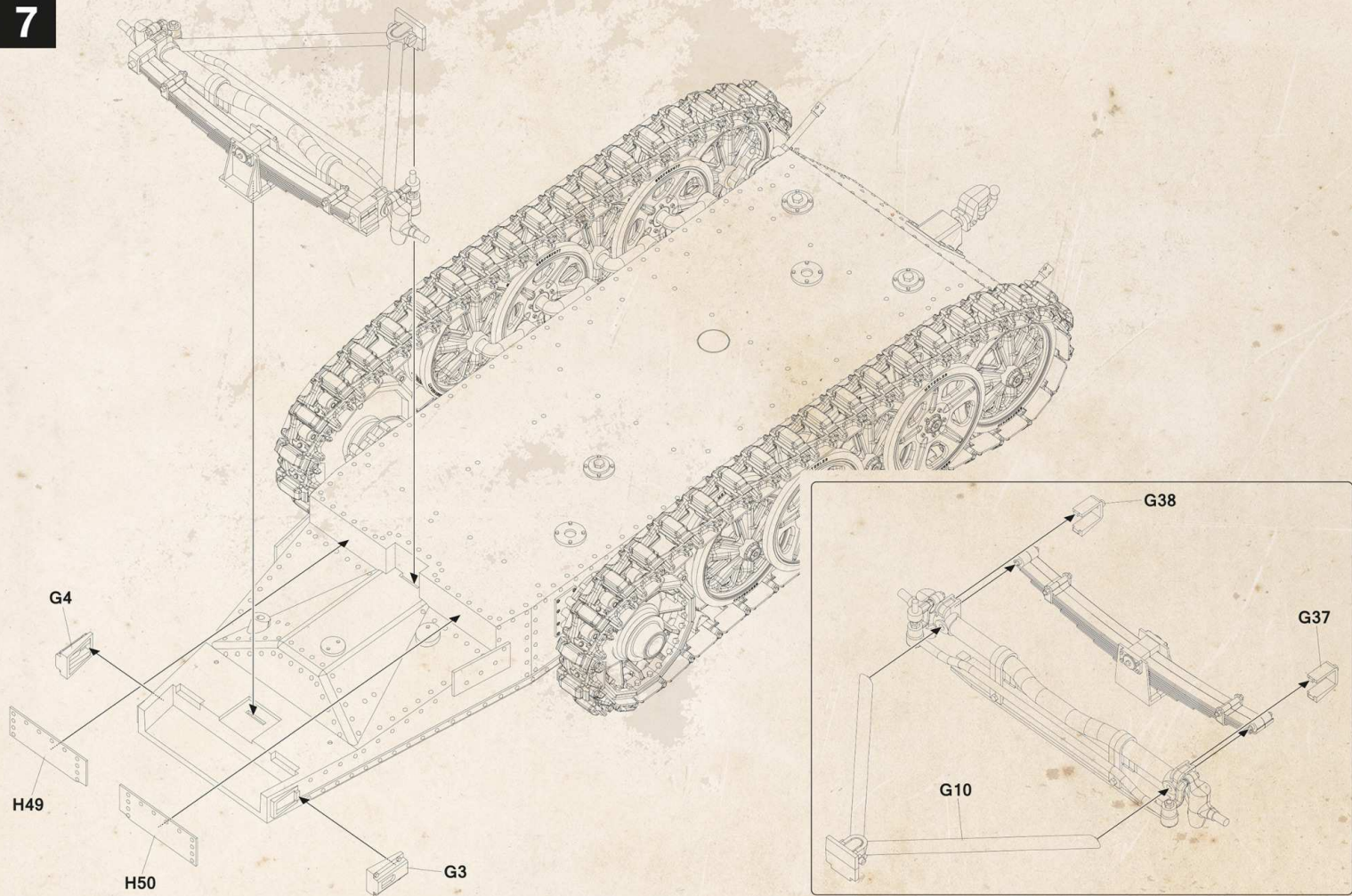
5

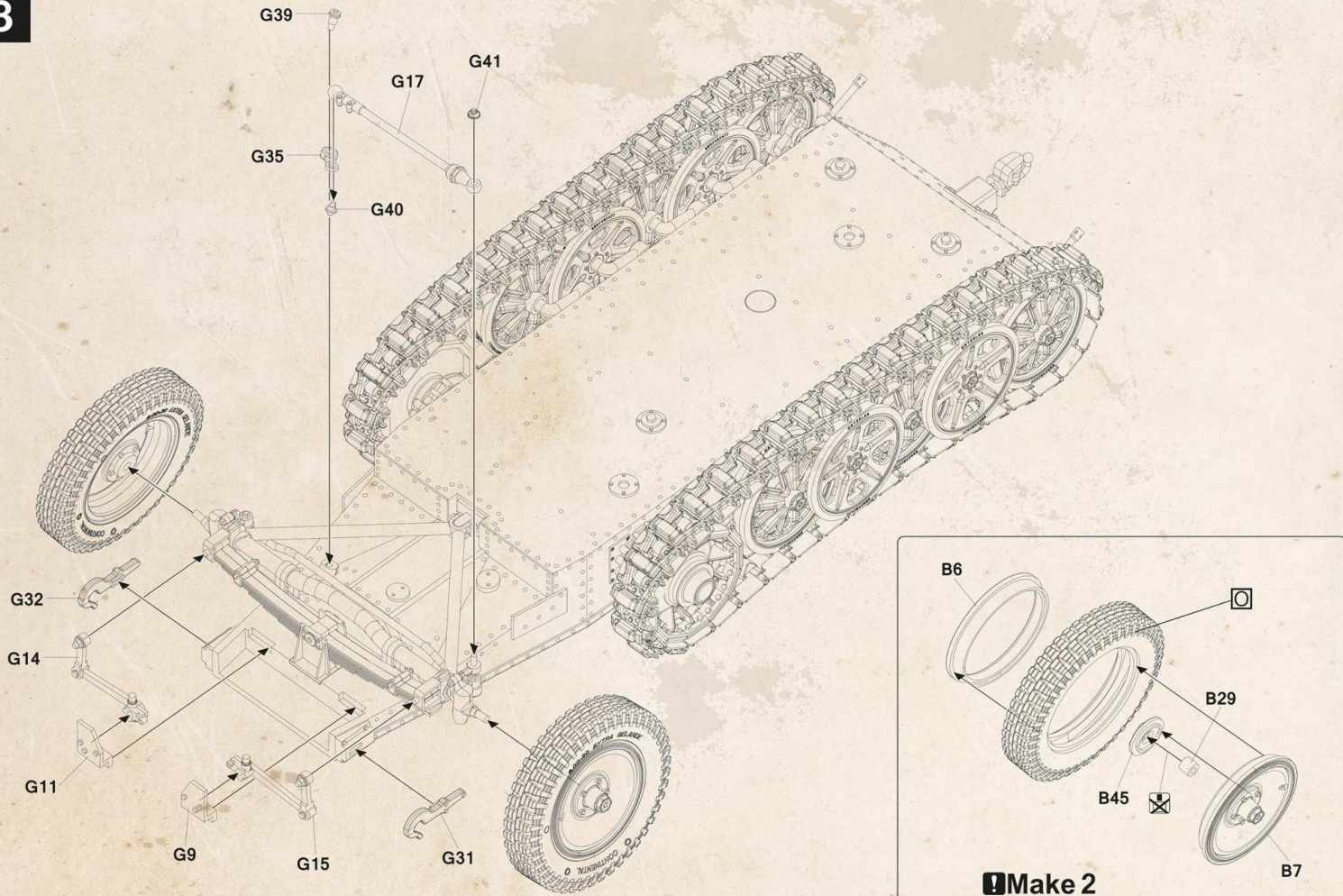


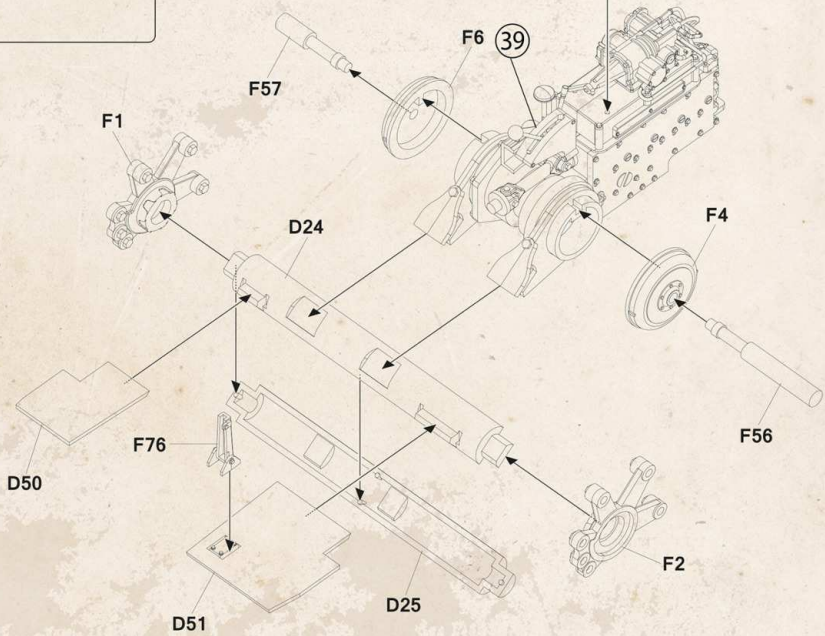
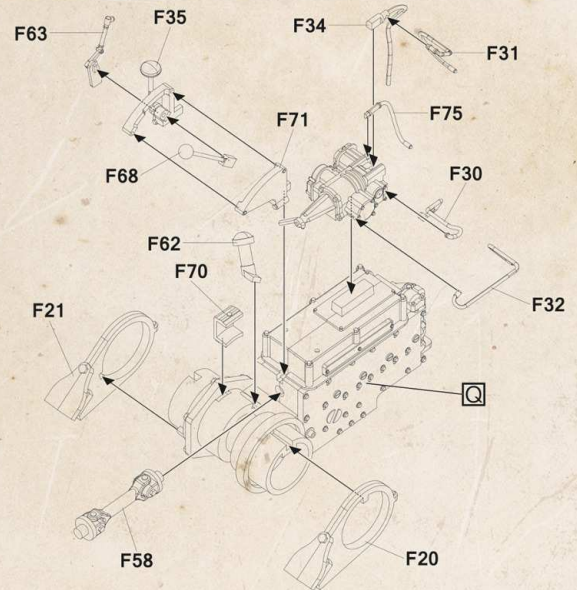
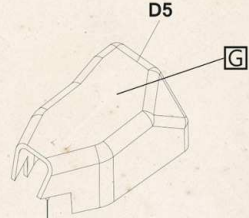
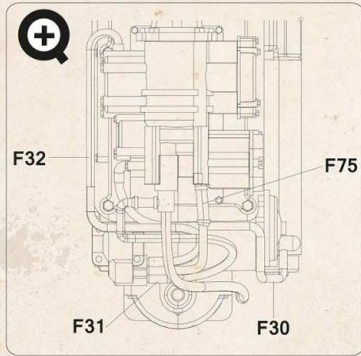
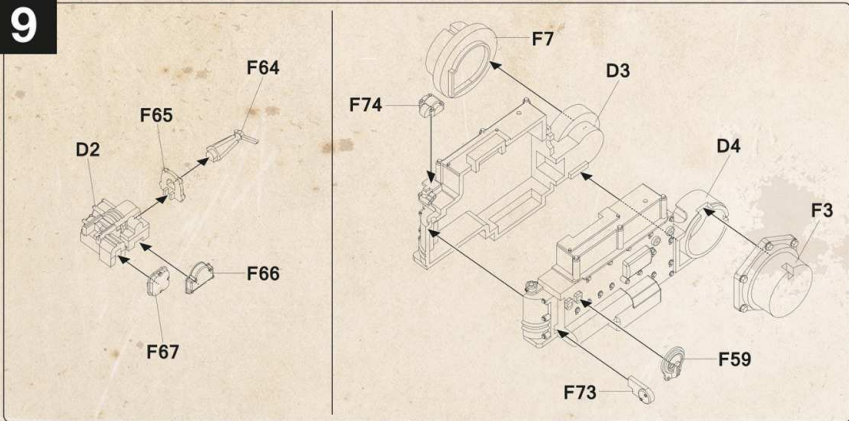
6

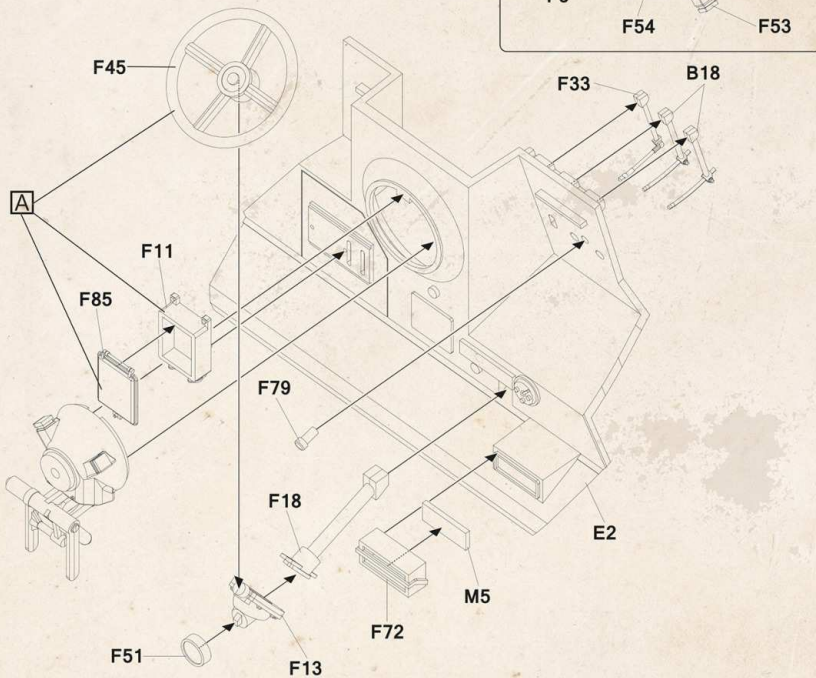
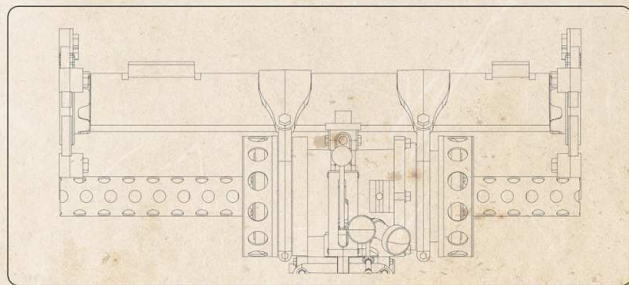
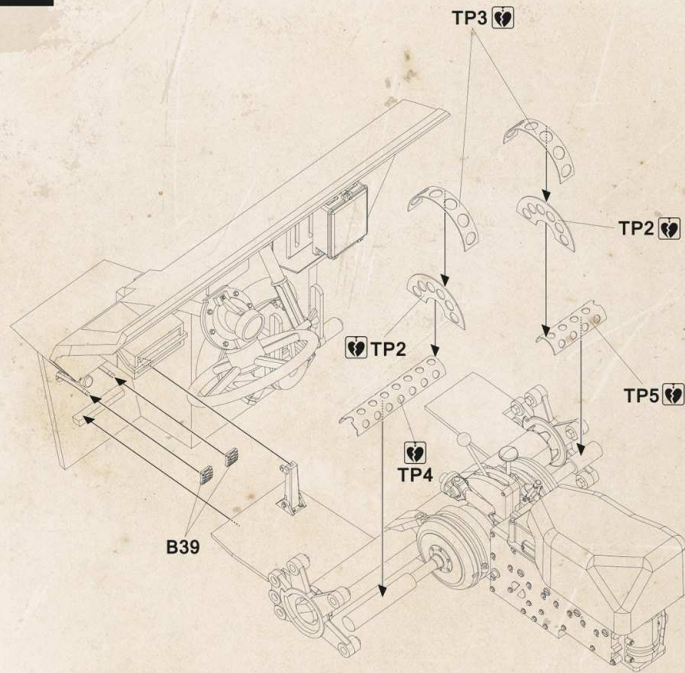


6

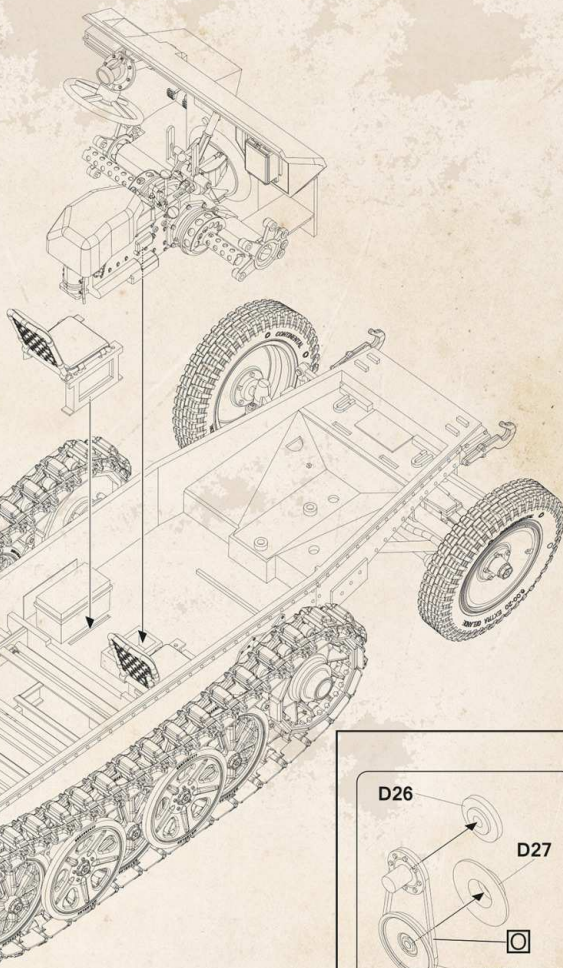
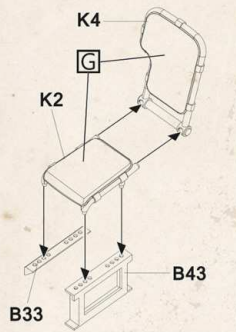
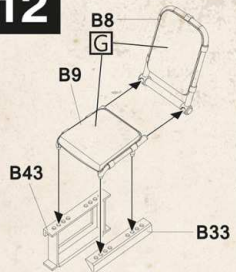




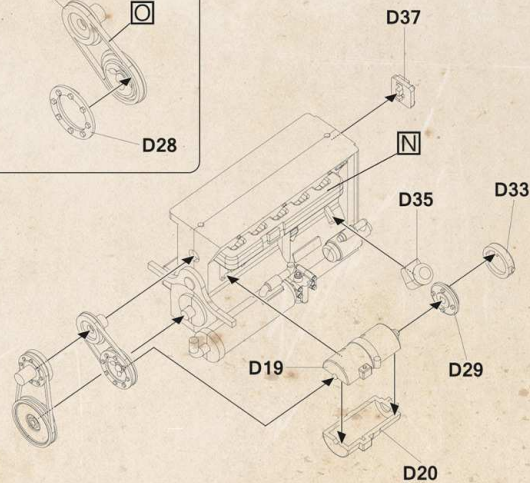
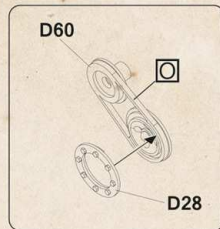
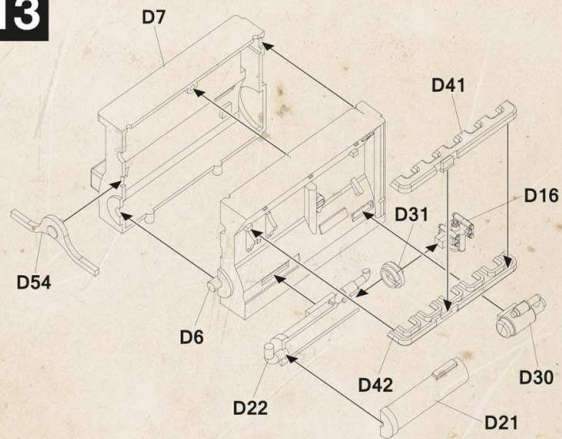


10**11****10**

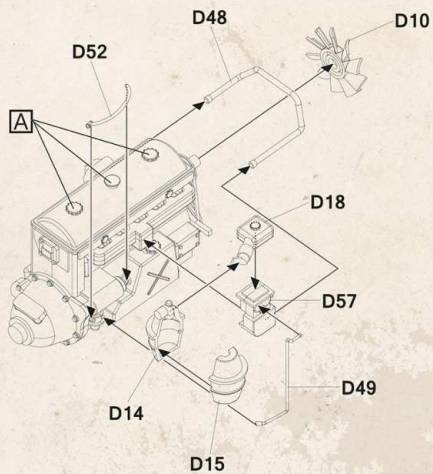
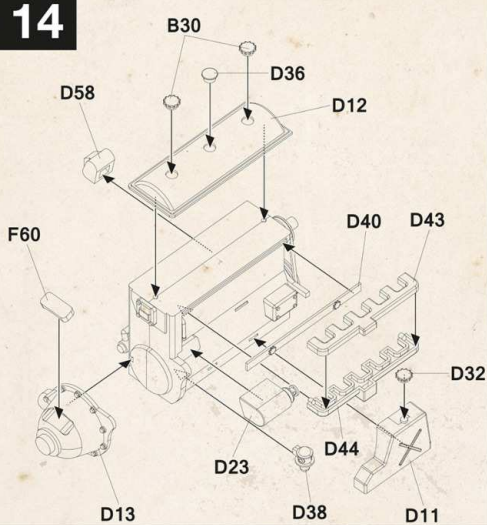
12



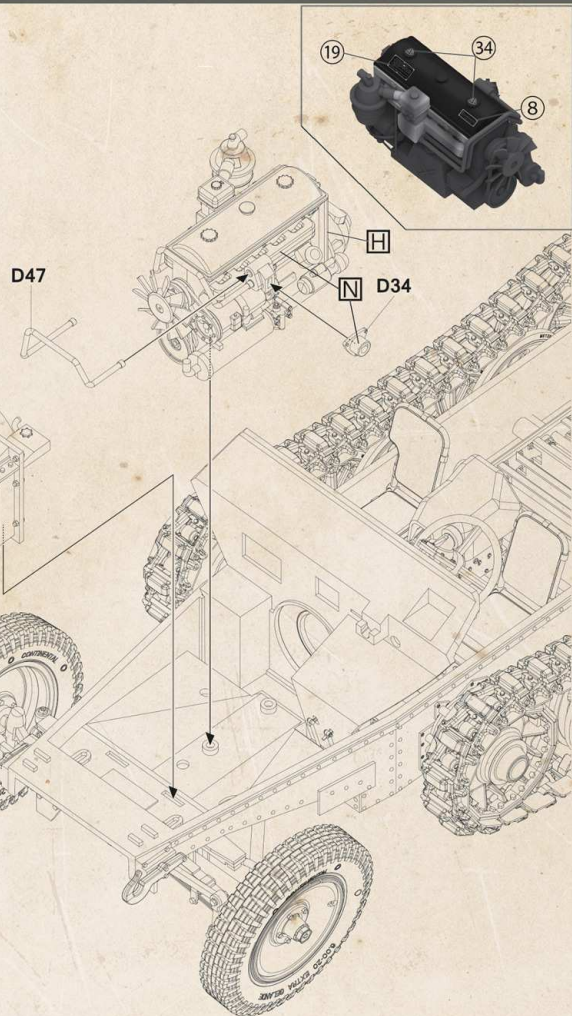
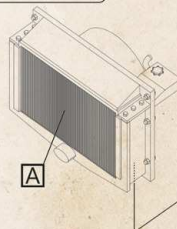
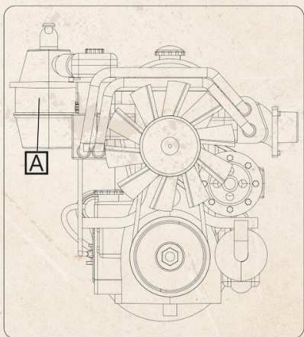
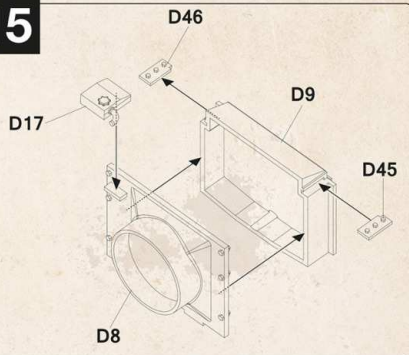
13



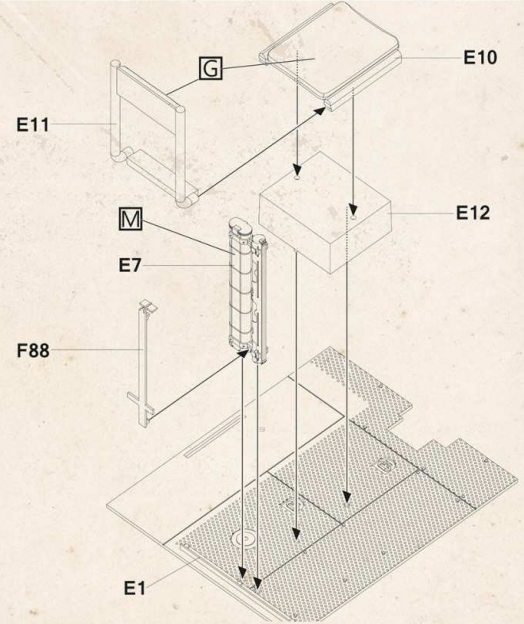
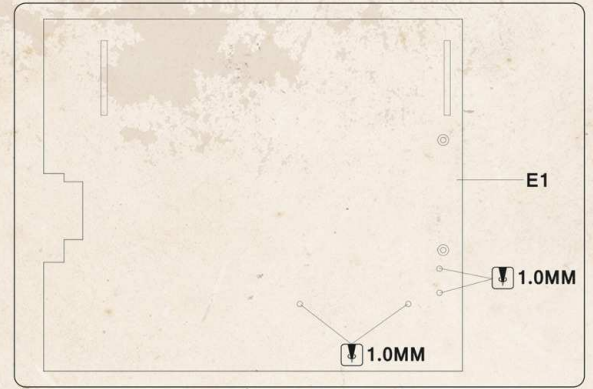
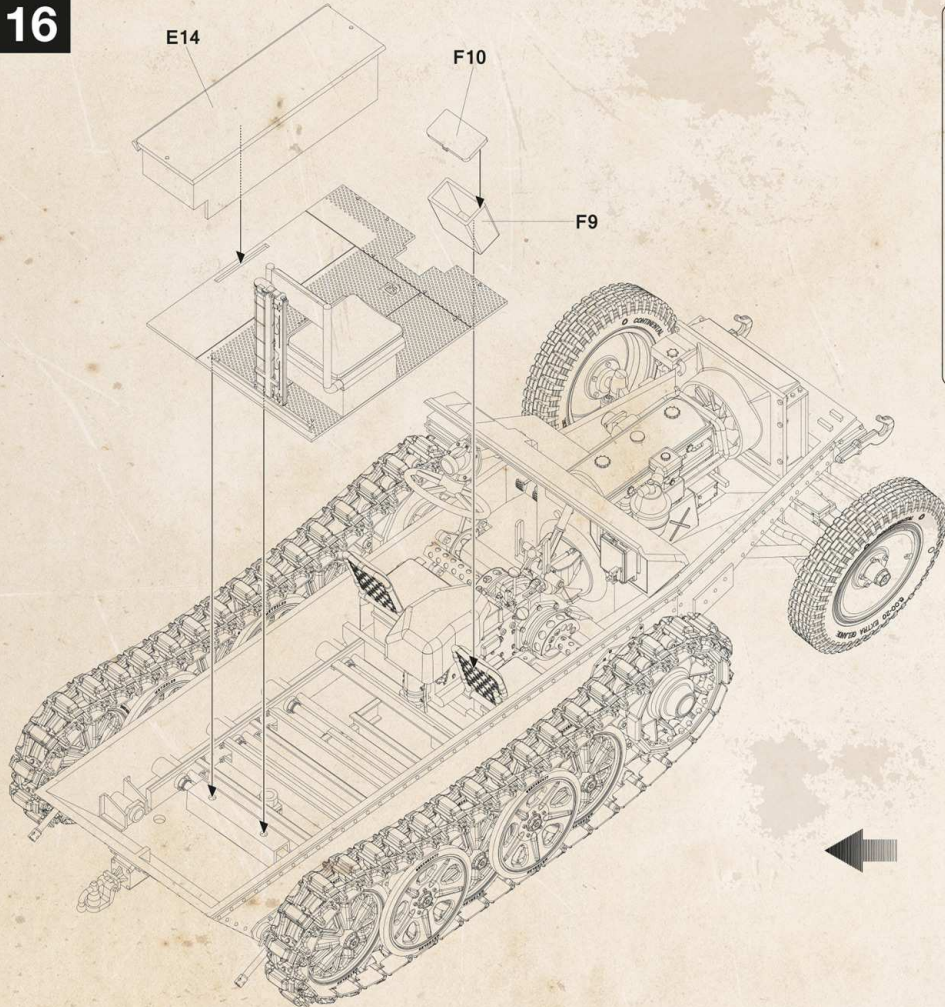
14

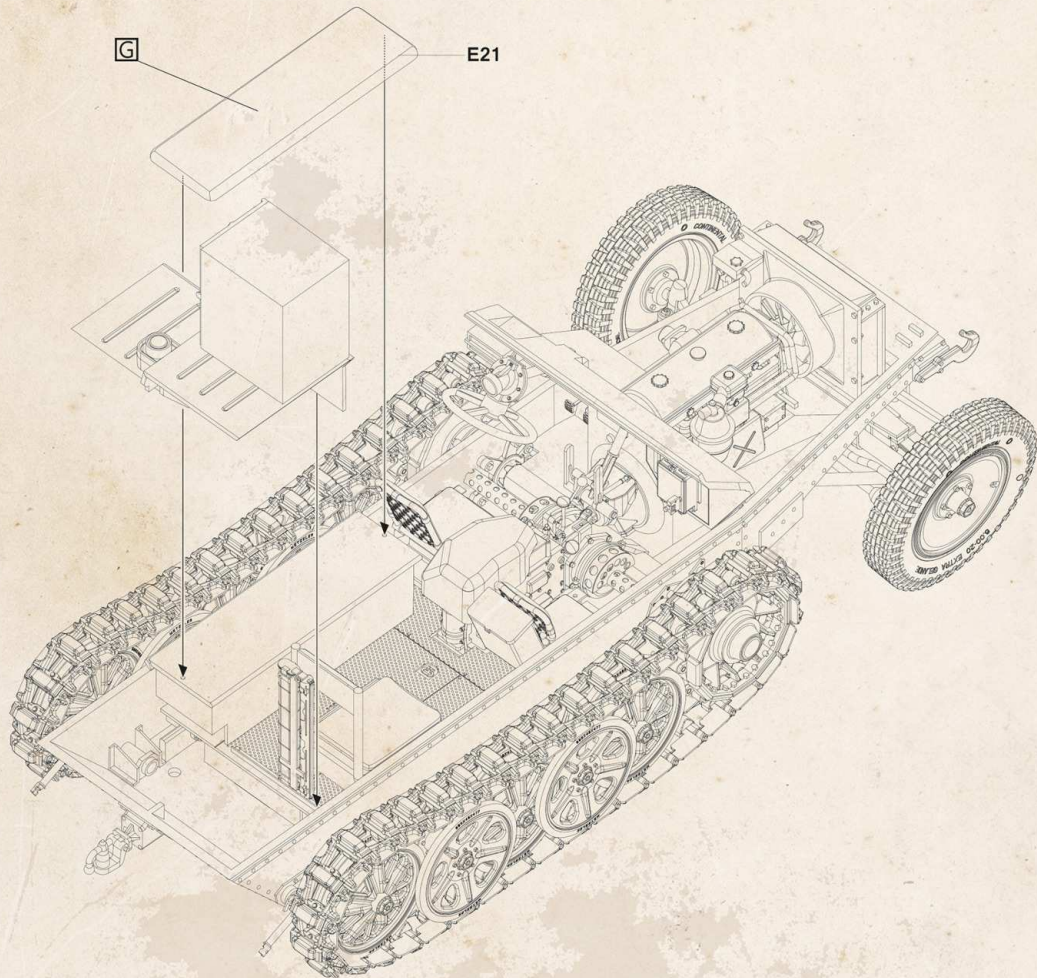
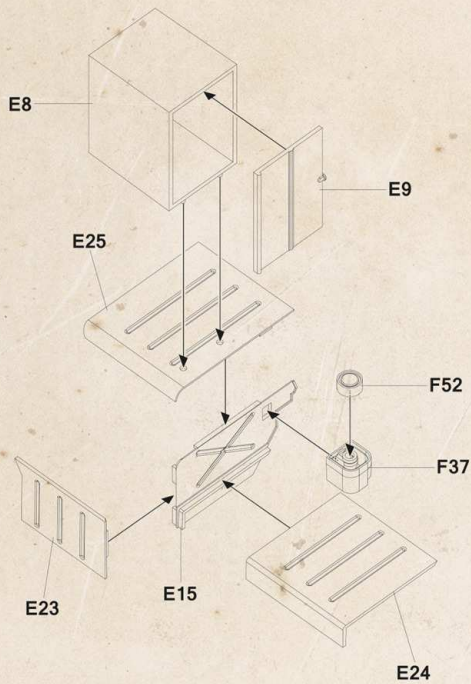
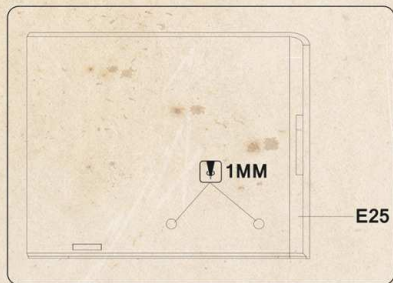


15

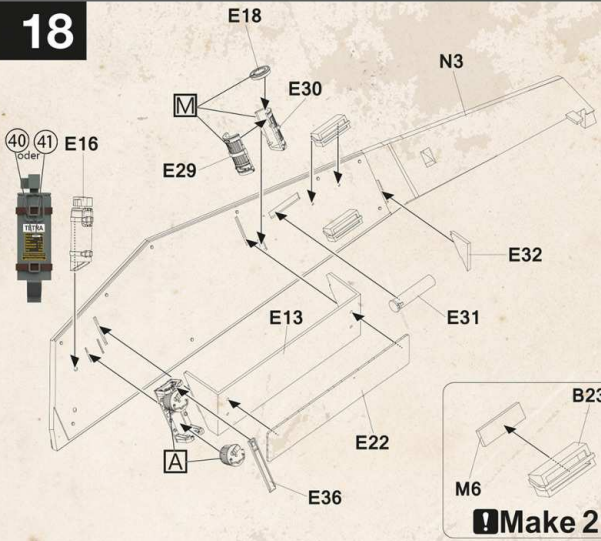


12

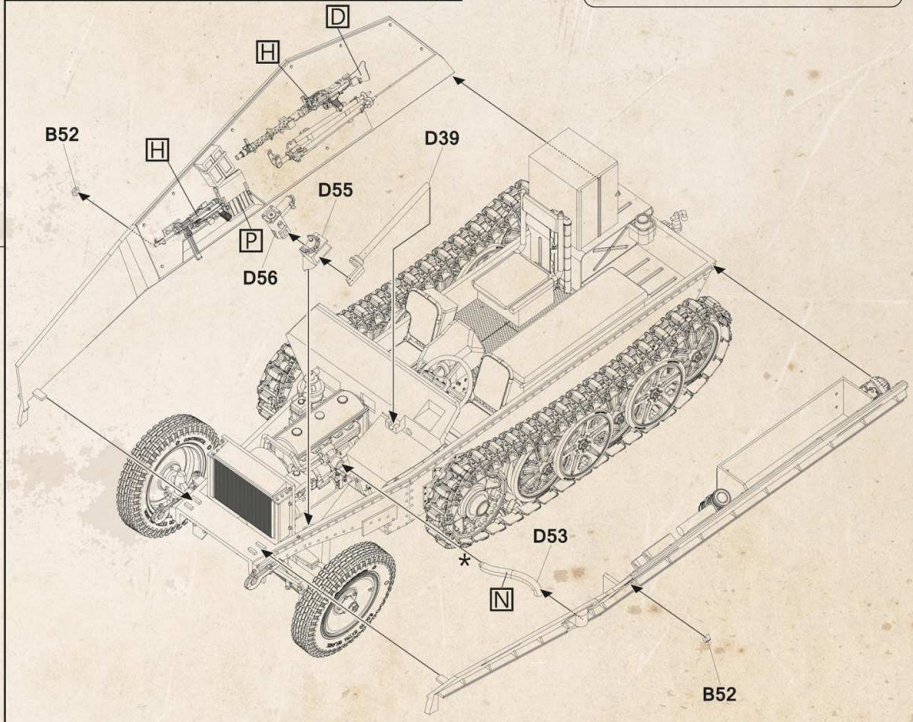
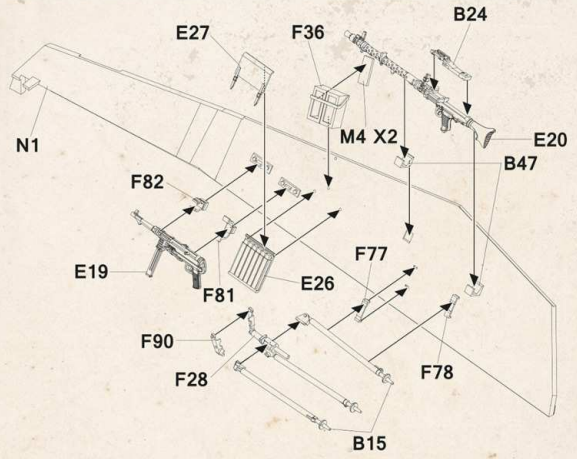
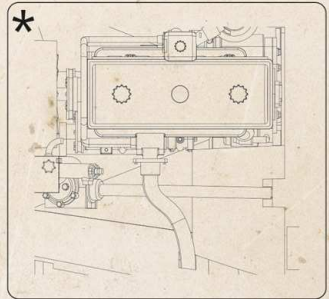
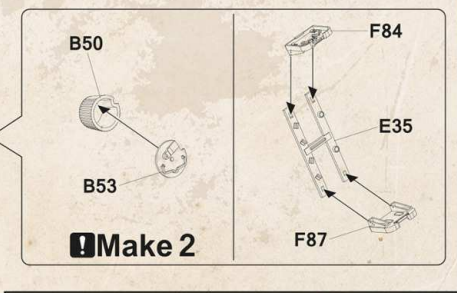


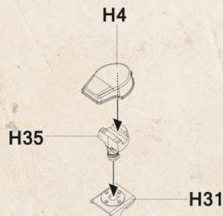


18

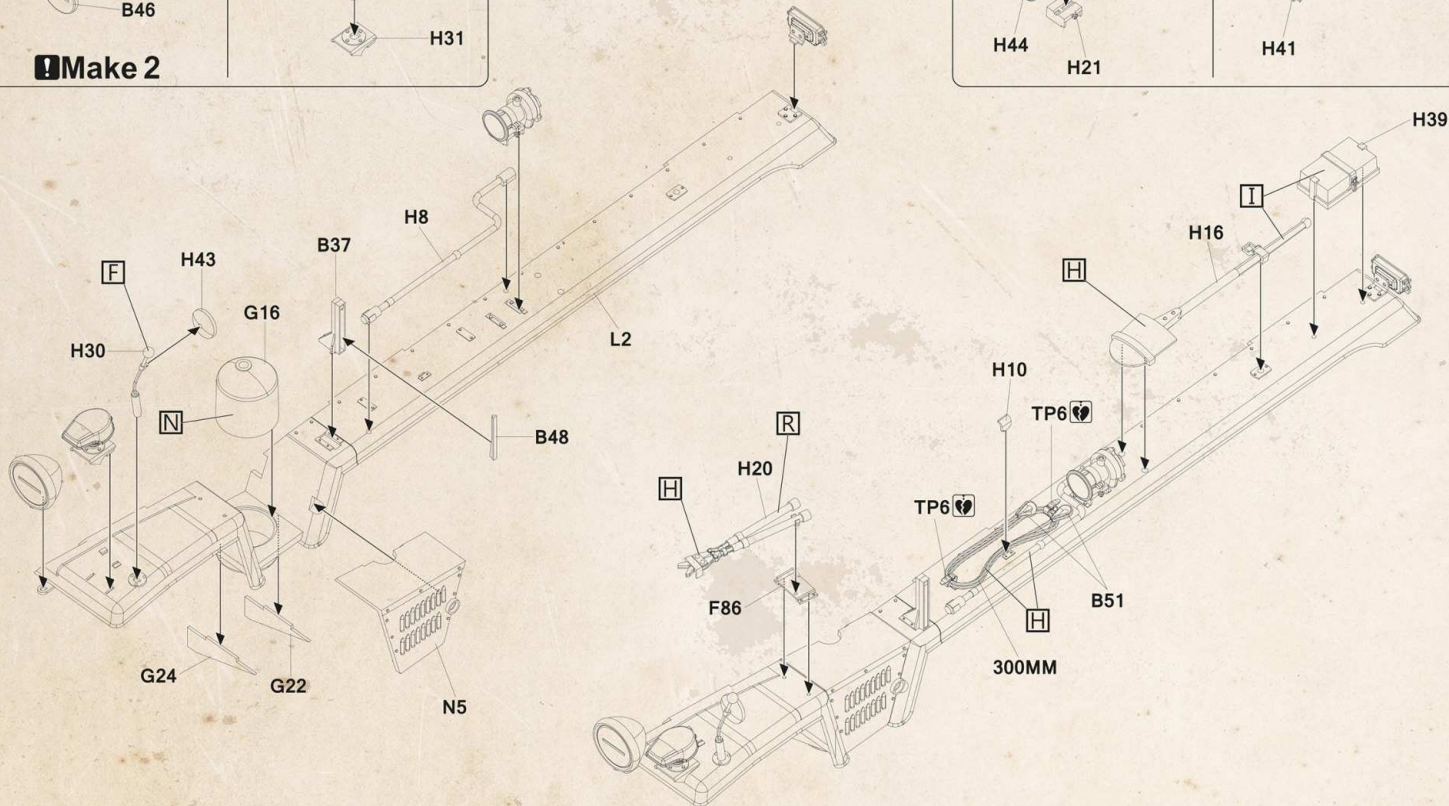
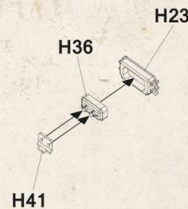
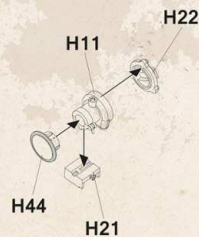


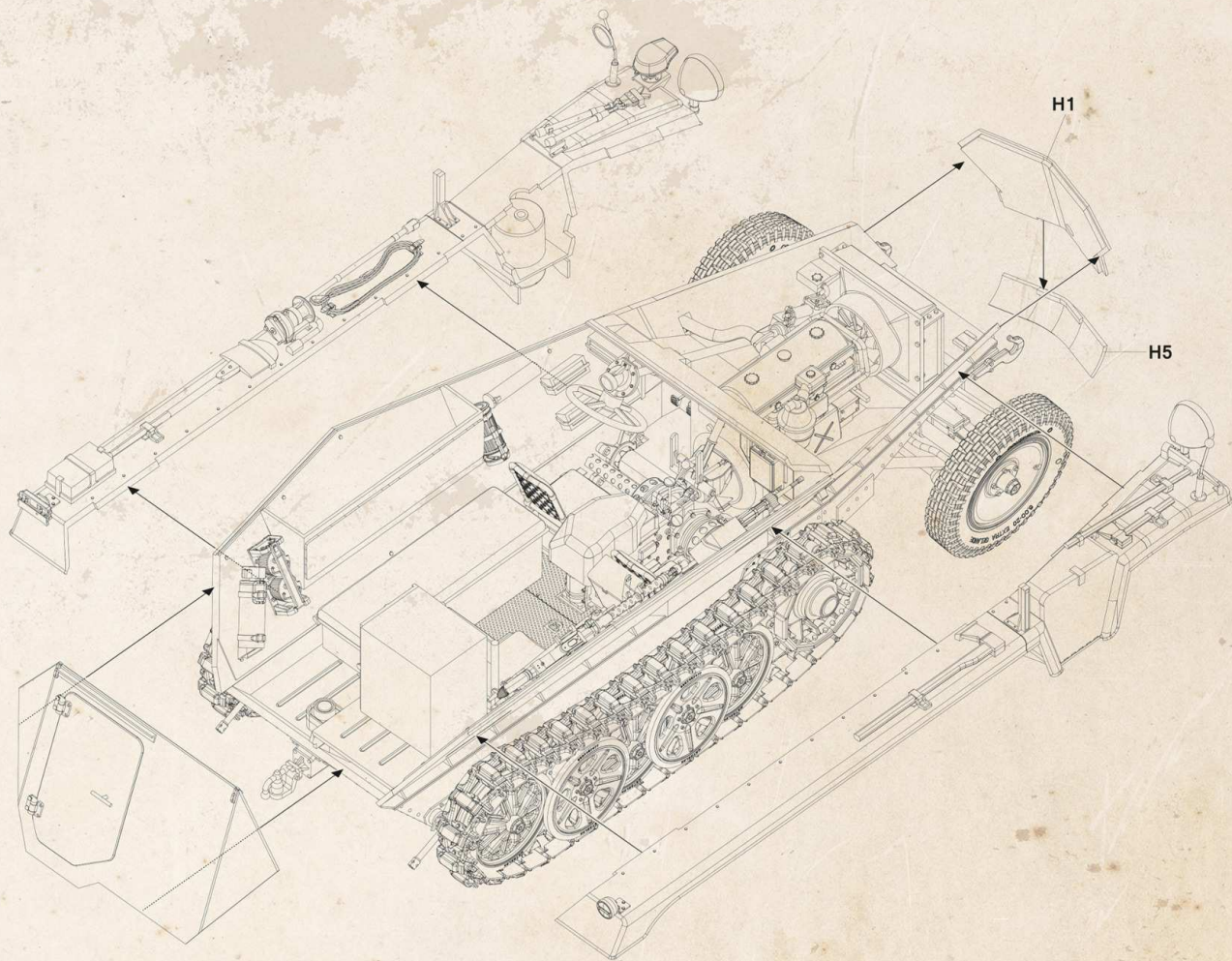
19

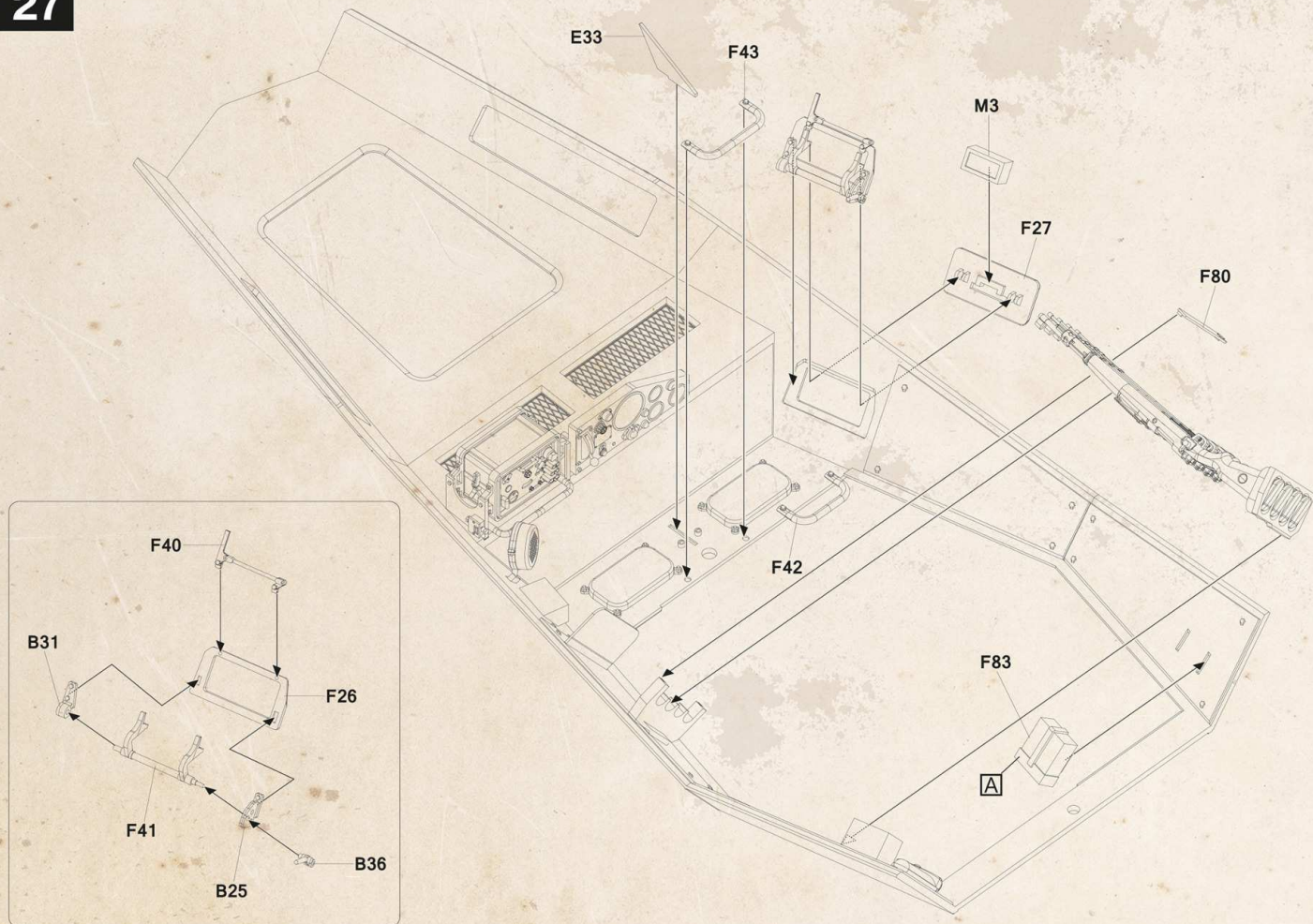


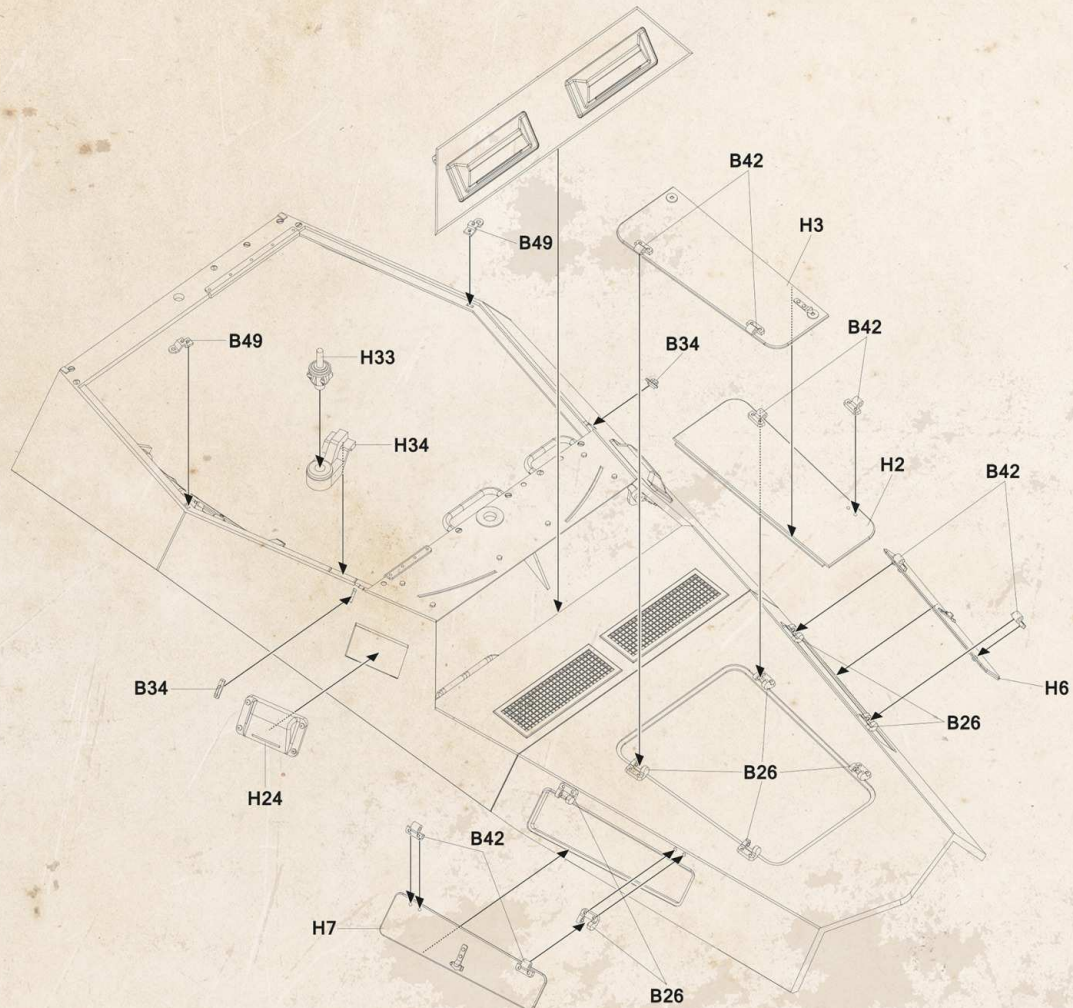


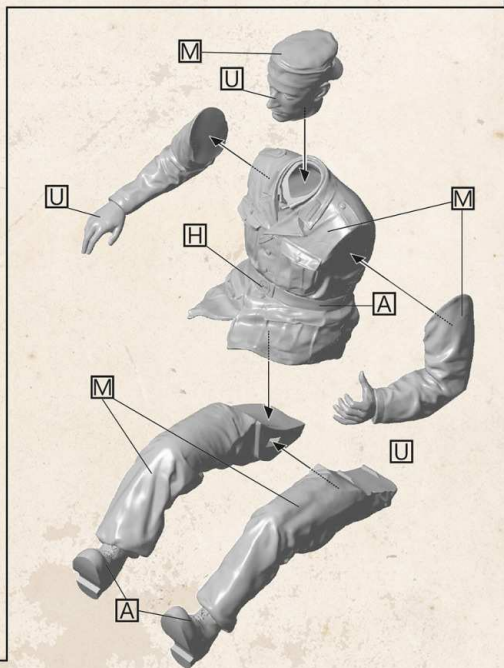
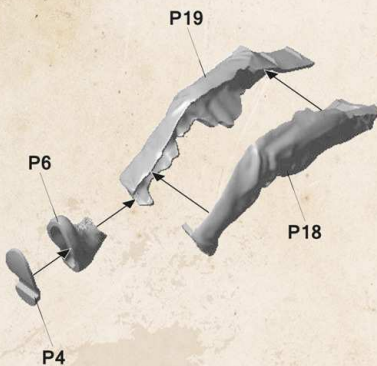
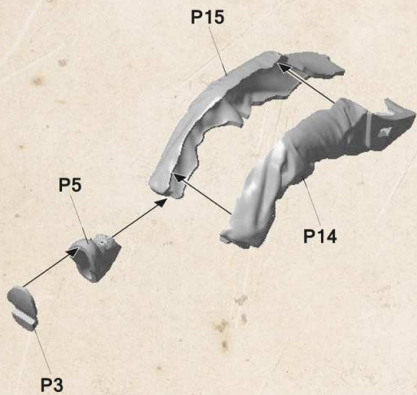
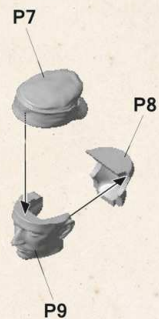
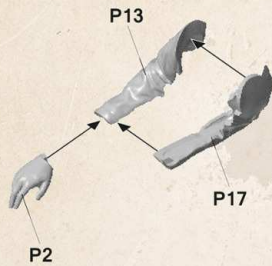
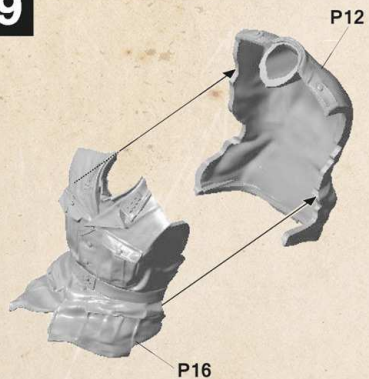
Make 2



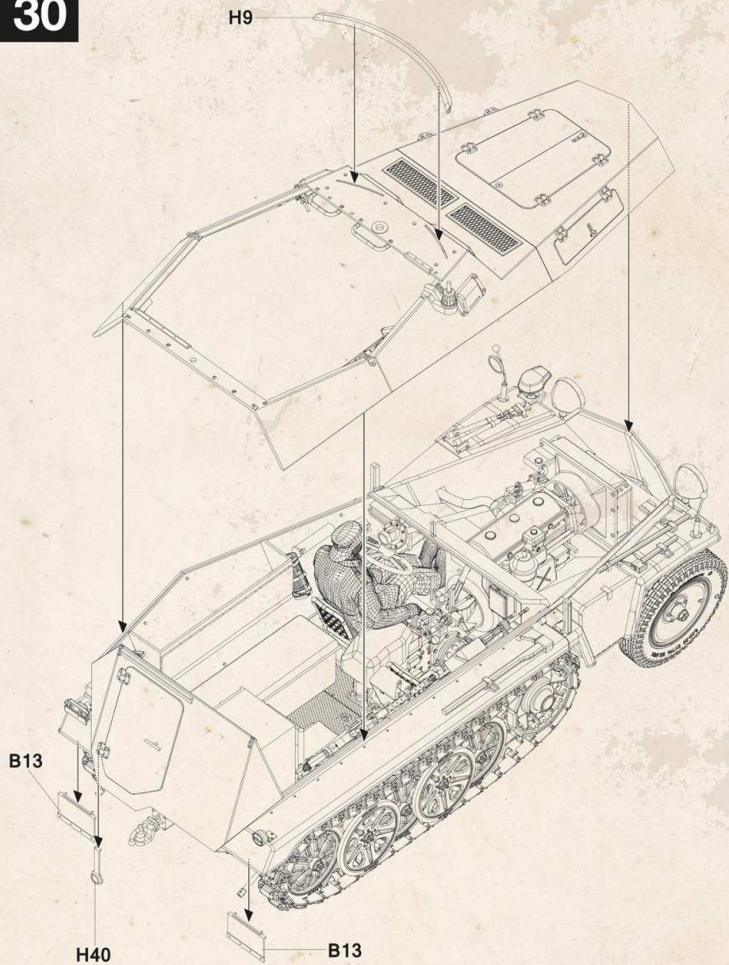




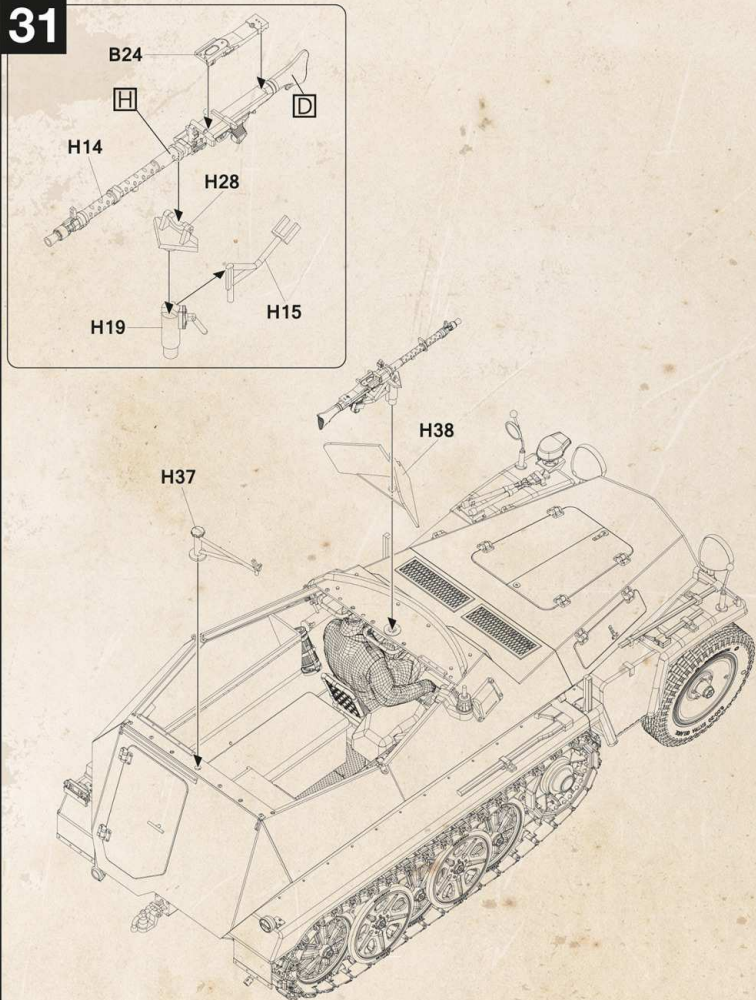




30



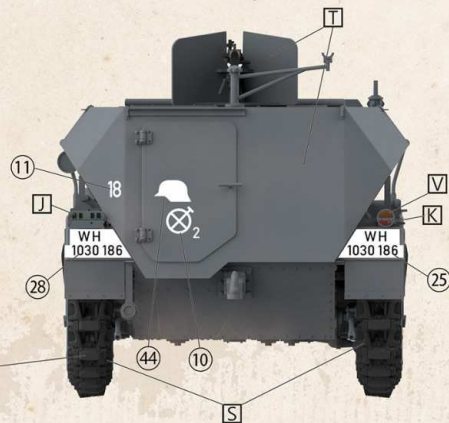
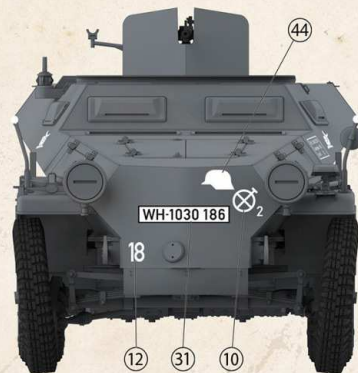
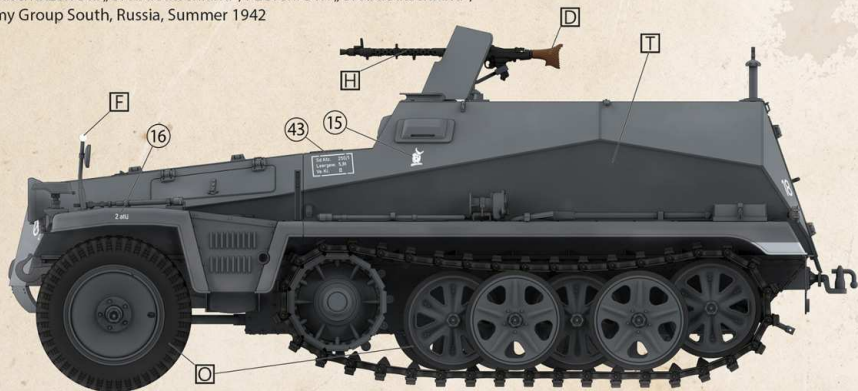
31



Sd.Kfz. 250/1 Ausf.A

Painting and Marking Guide

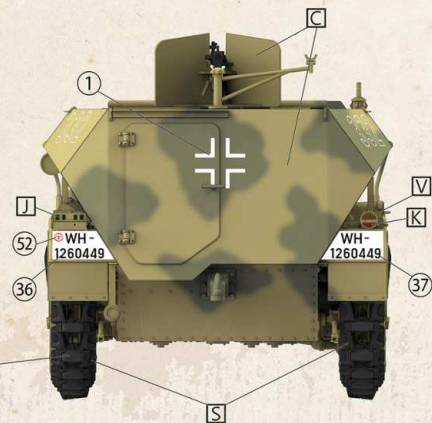
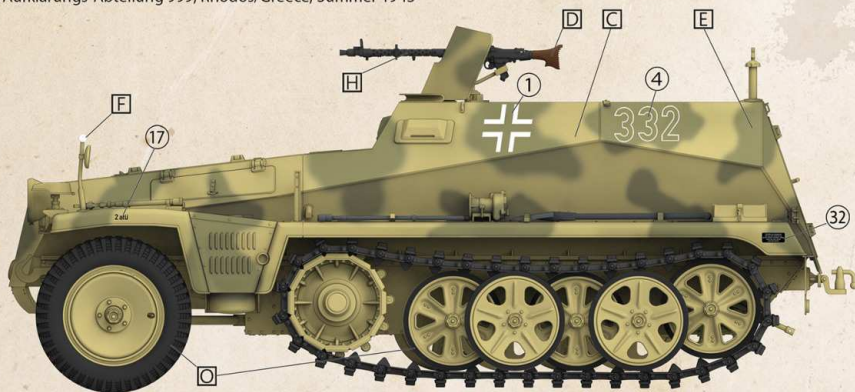
Kradschützen Btl. „Großdeutschland“, PzGren. Div. „Großdeutschland“,
Army Group South, Russia, Summer 1942



Sd.Kfz. 250/1 Ausf.A

Painting and Marking Guide

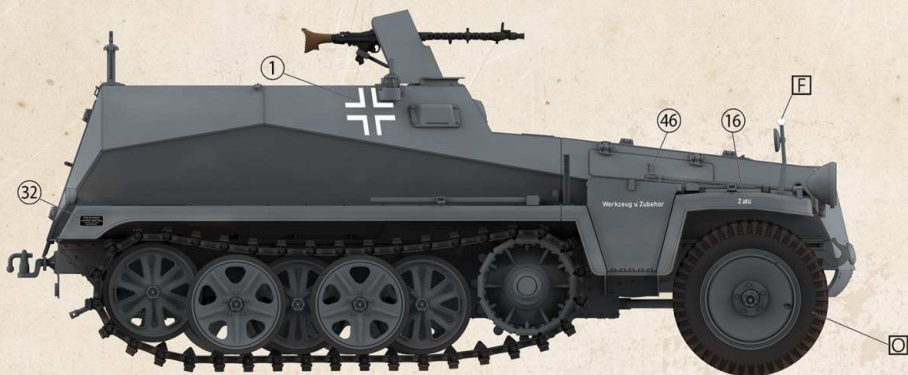
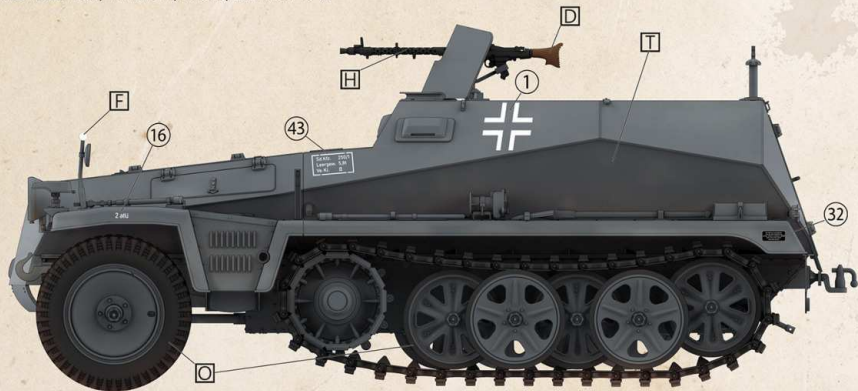
Pz. Aufklärungs-Abteilung 999, Rhodos/Greece, Summer 1943



Sd.Kfz. 250/1 Ausf.A

Painting and Marking Guide

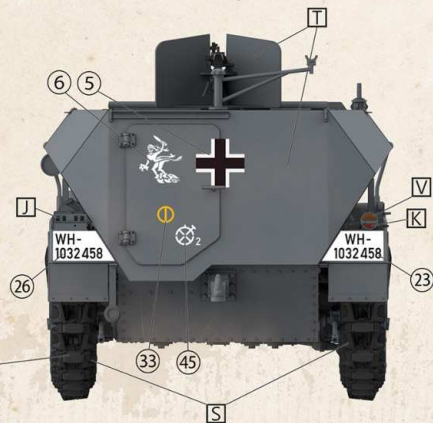
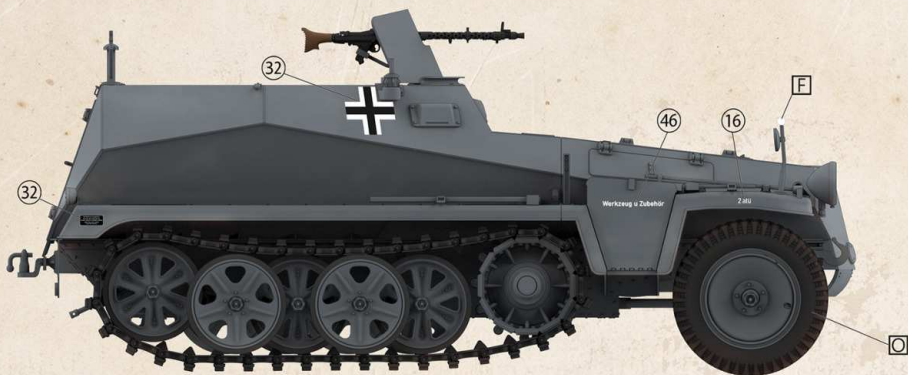
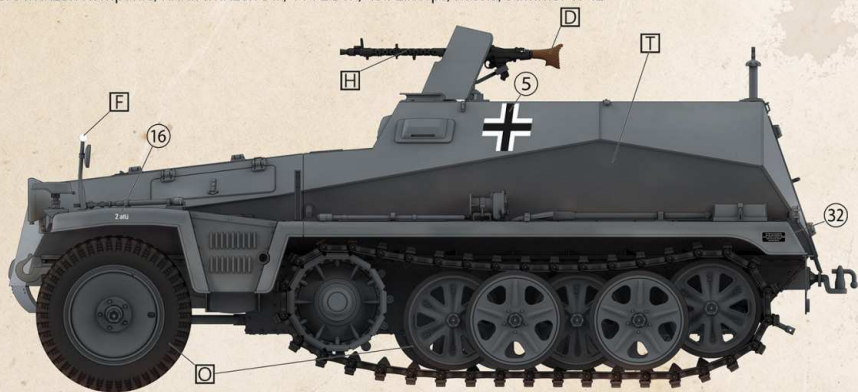
Kradschützen Btl., 14.Pz.Div., Russia, Summer 1942



Sd.Kfz. 250/1 Ausf.A

Painting and Marking Guide

2. le. Schützen Kompanie, Kradschützen Btl., 11.Pz.Div., 48.Pz.Korps, Russia, Summer 1942



Das Werk

Check out other great kits from us:



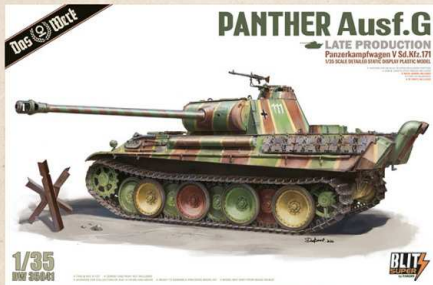
DW35033 - Cid-27 „Donnerbüchse“ (1:35)



DW35040 - 2cm FlaK 30 (1:35)



DW35039 - Eagle IV EKT / FüPers (1:35)



DW35041 - Panther G late (1:35)



DW35035 - Rak.Jg.Pz. Jaguar 1 (1:35)



DW16005 - Sd.Kfz.251/1 (1:16)