

JUNKERS JU87 D5 STUKA

Border

德国空军JU87D俯冲轰炸机 ドイツ空軍 JU87D 爆撃機

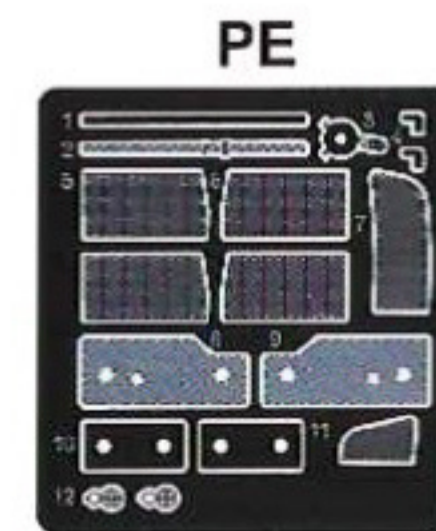
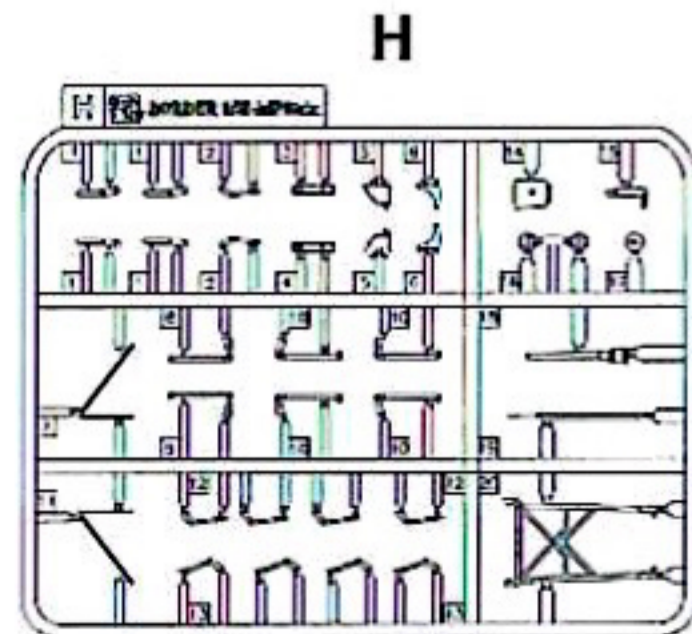
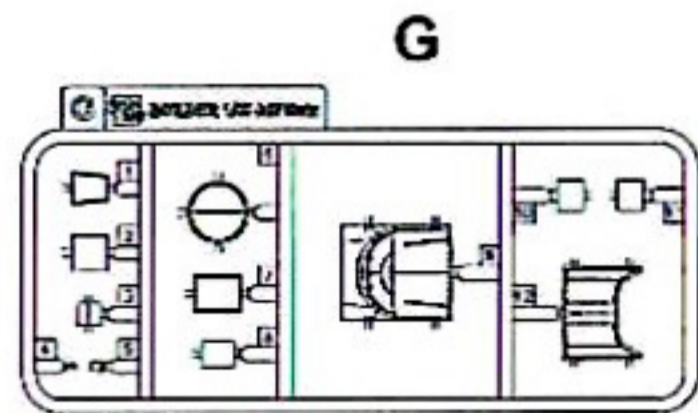
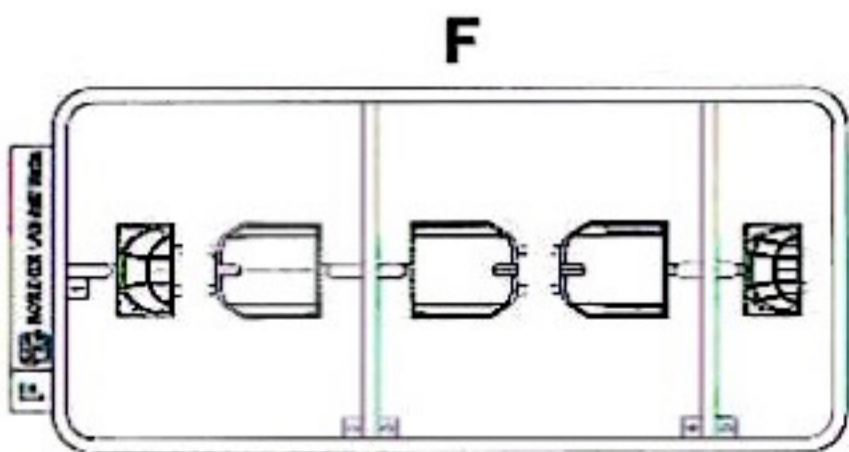
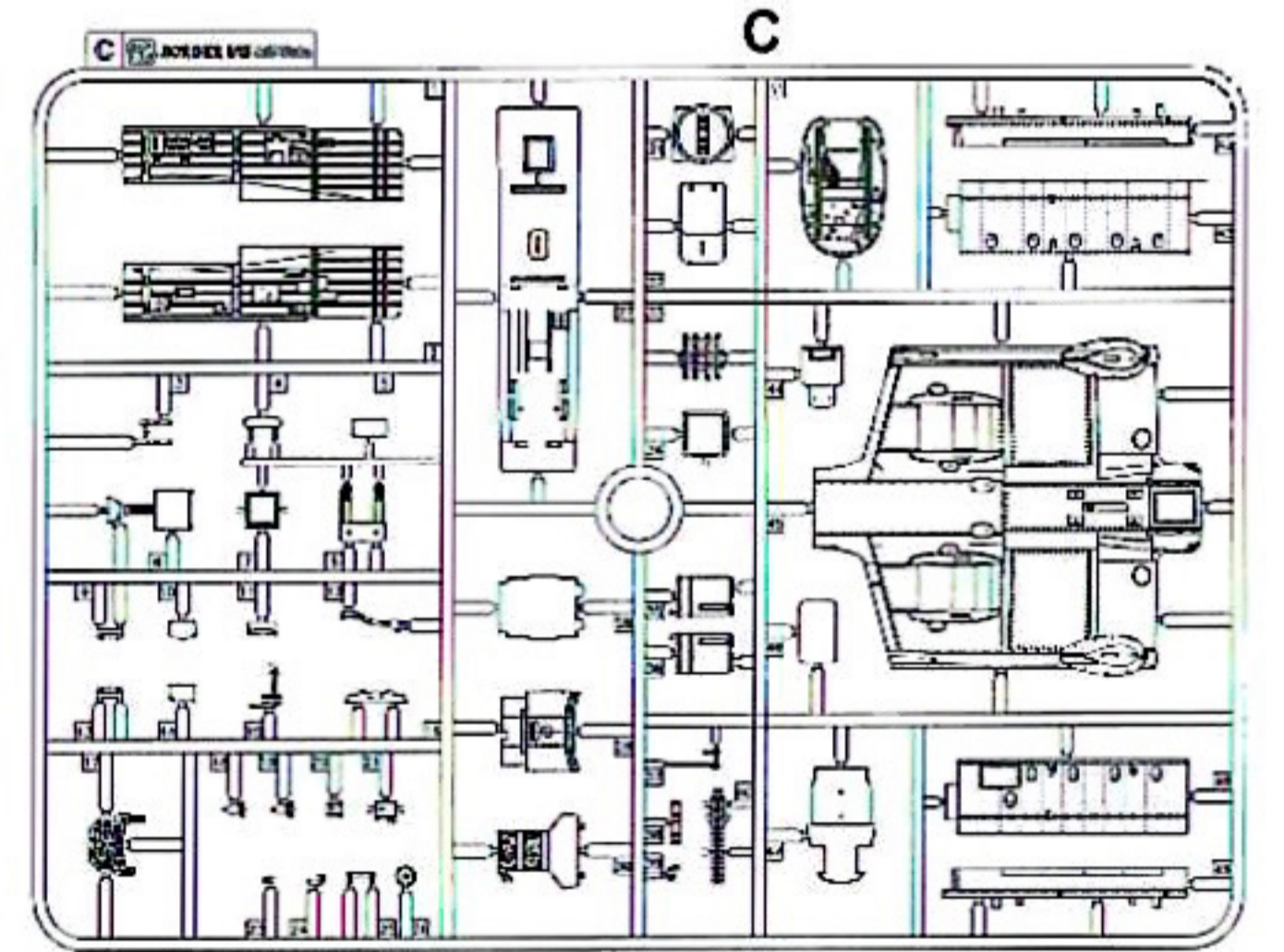
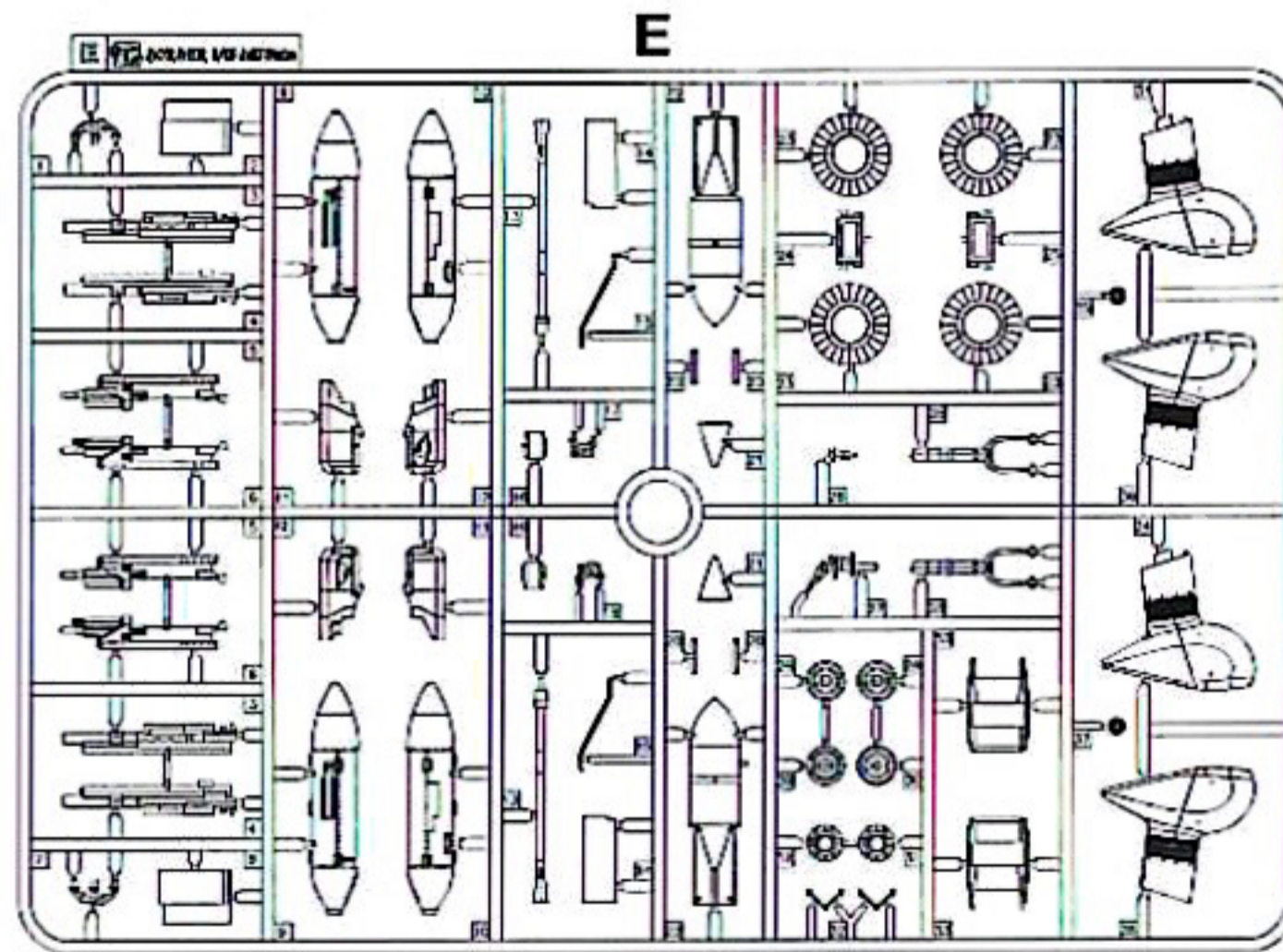
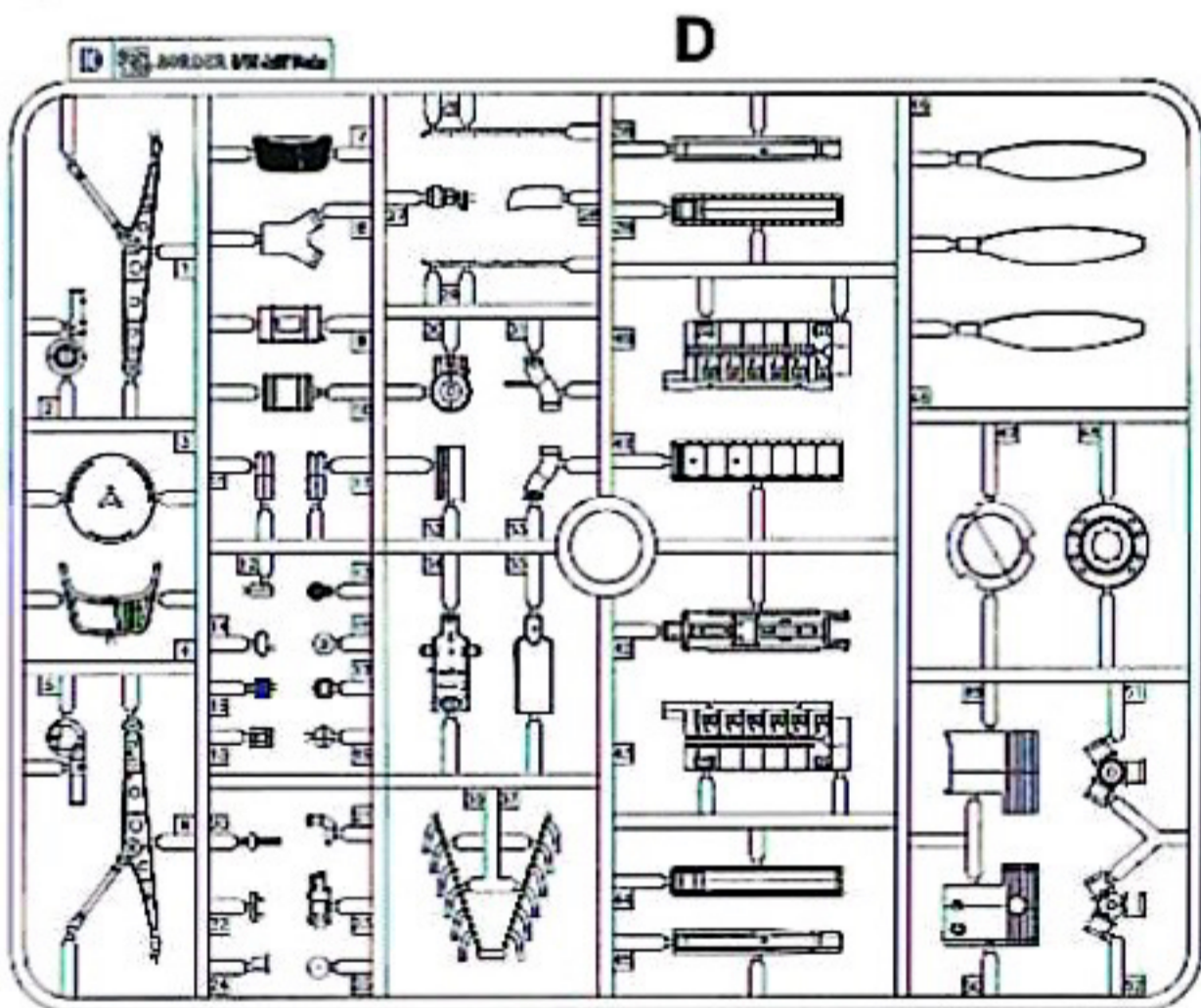
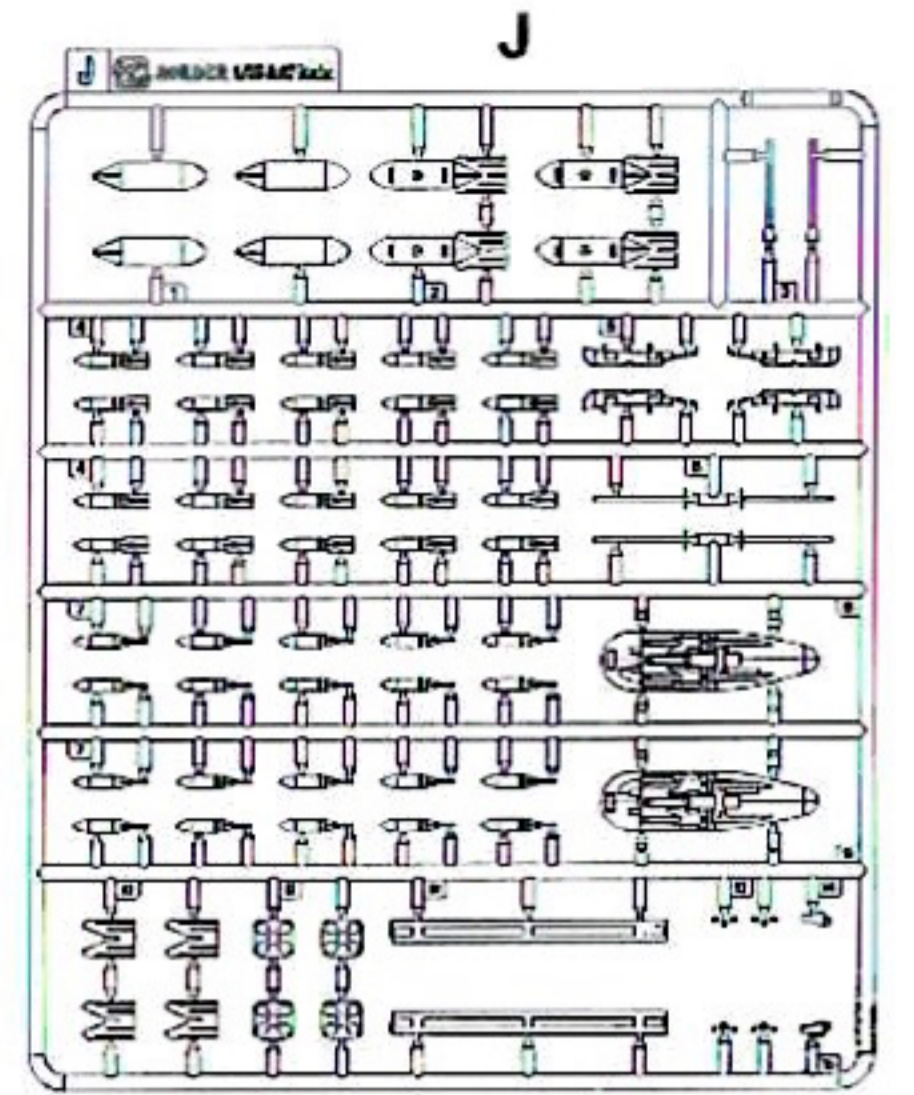
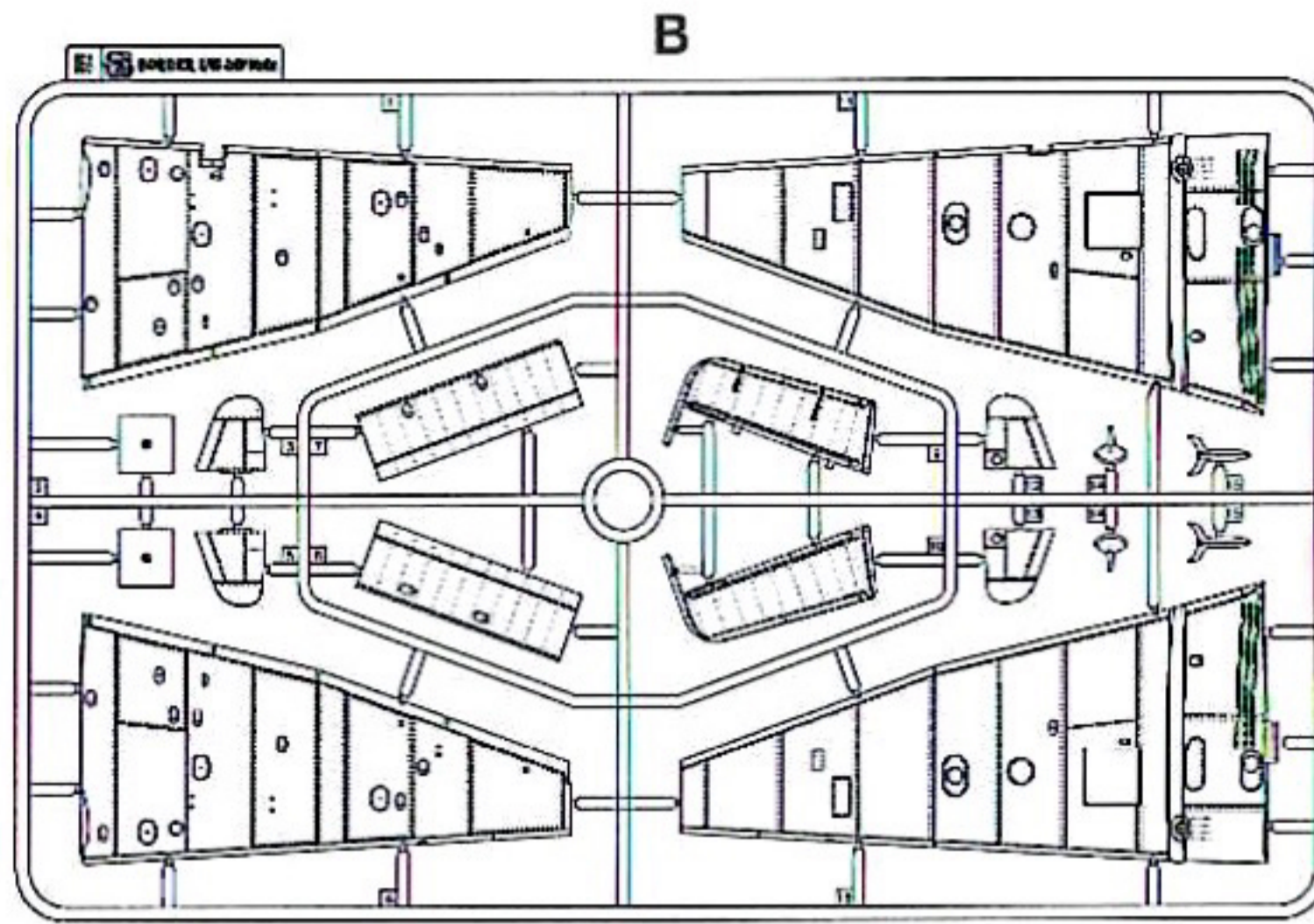
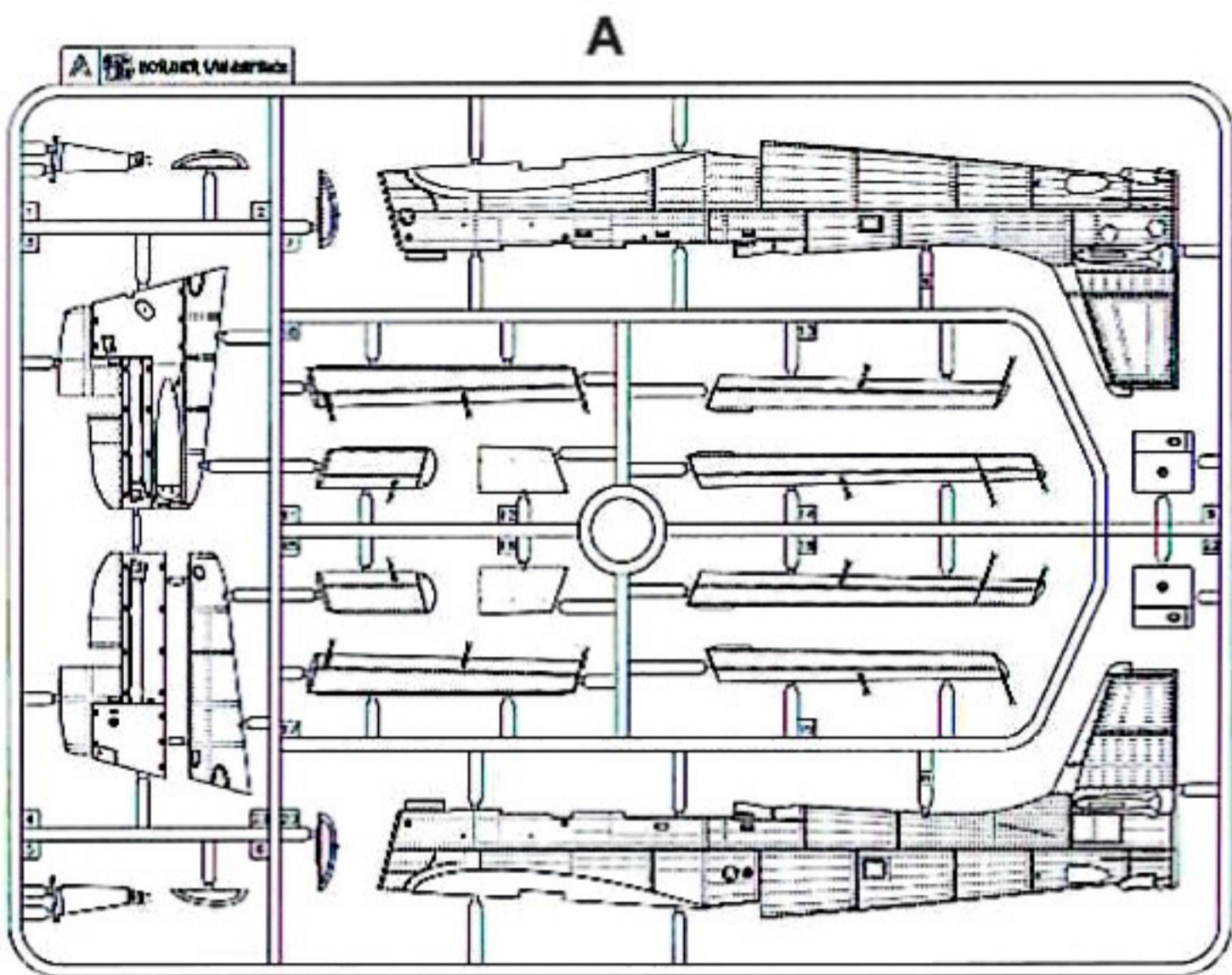


- ◆ PE PARTS INCLUDED.
- ◆ FULL INTERIOR OF ENGINE AND COCKPIT.
- ◆ TRANSPARENT PARTS INCLUDED.
- ◆ 2 SCHEMES OF CAMOUFLAGES.

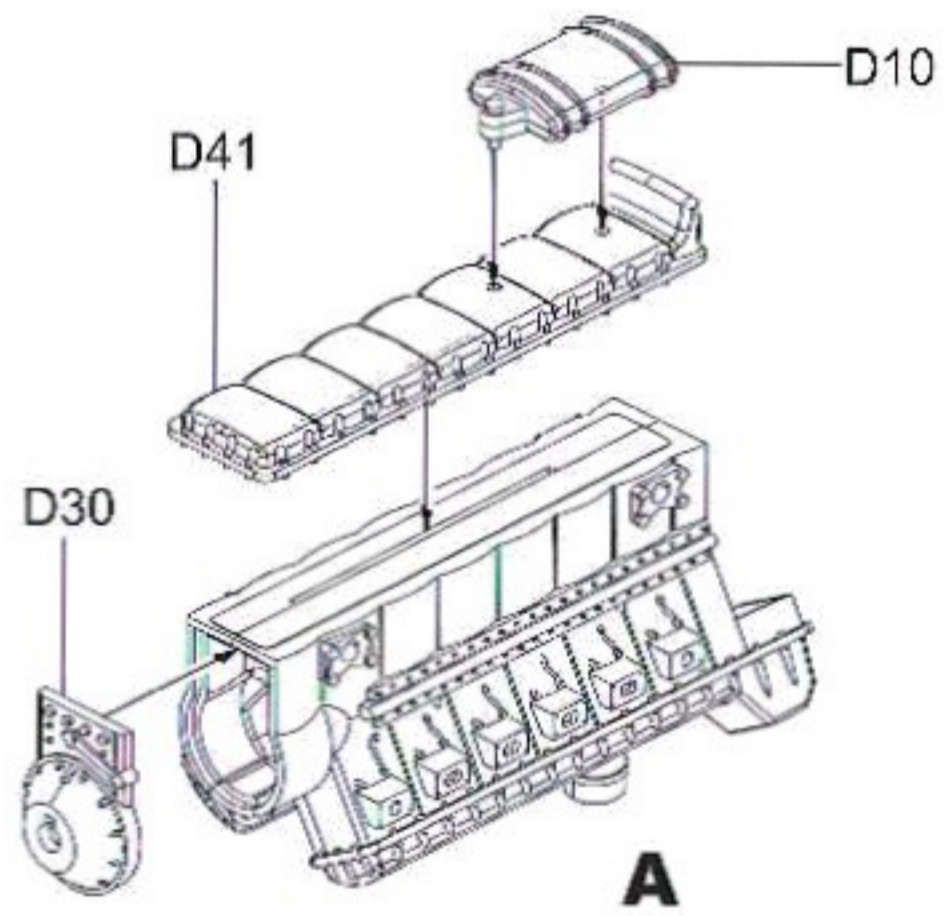
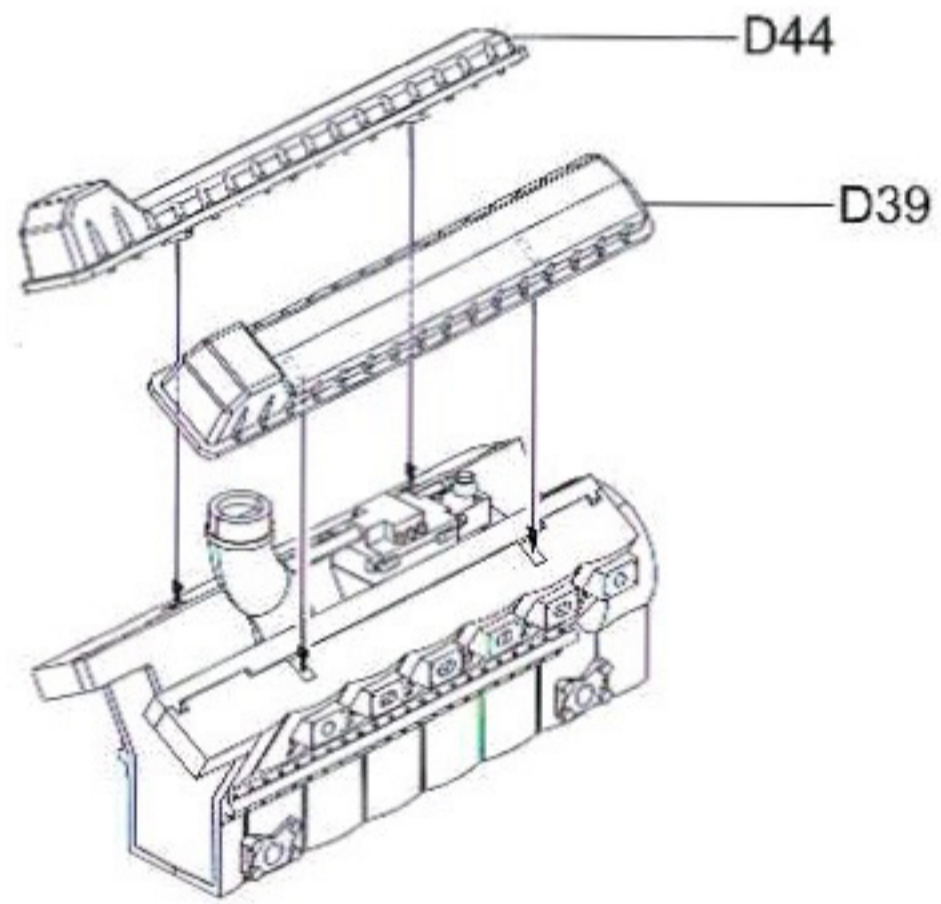
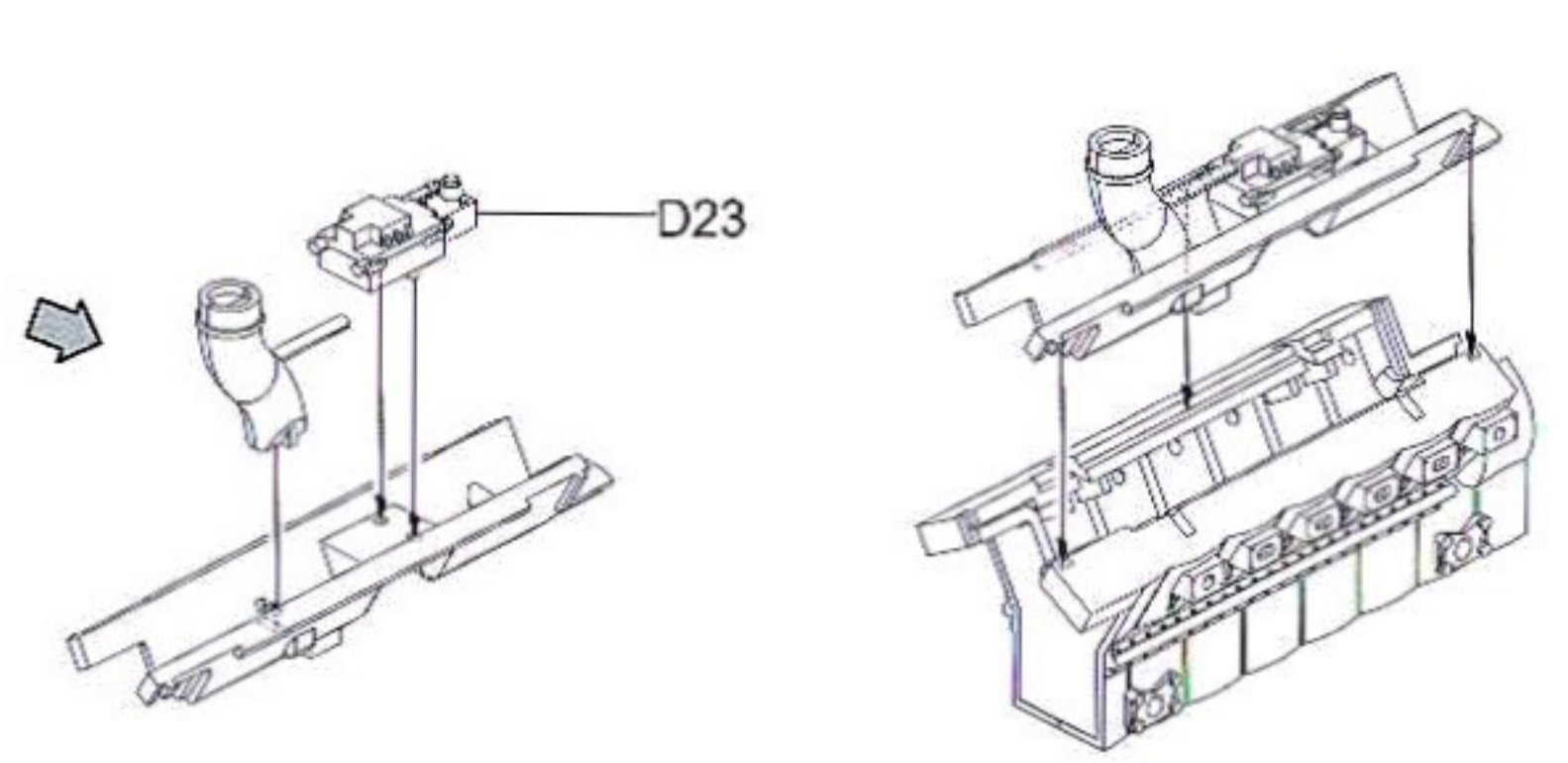
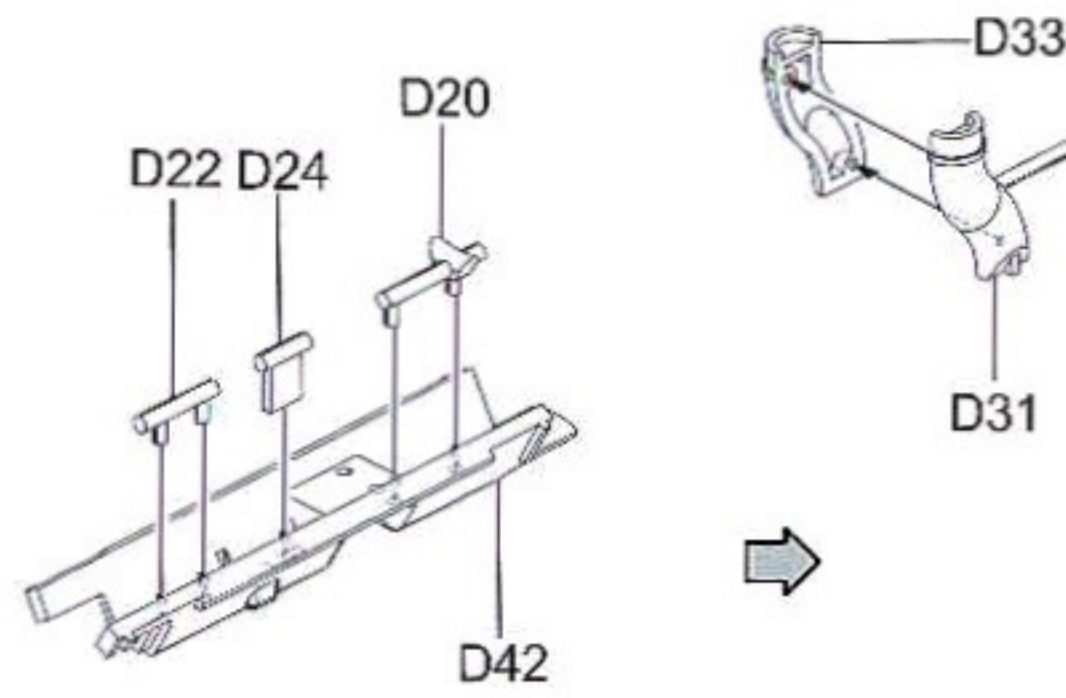
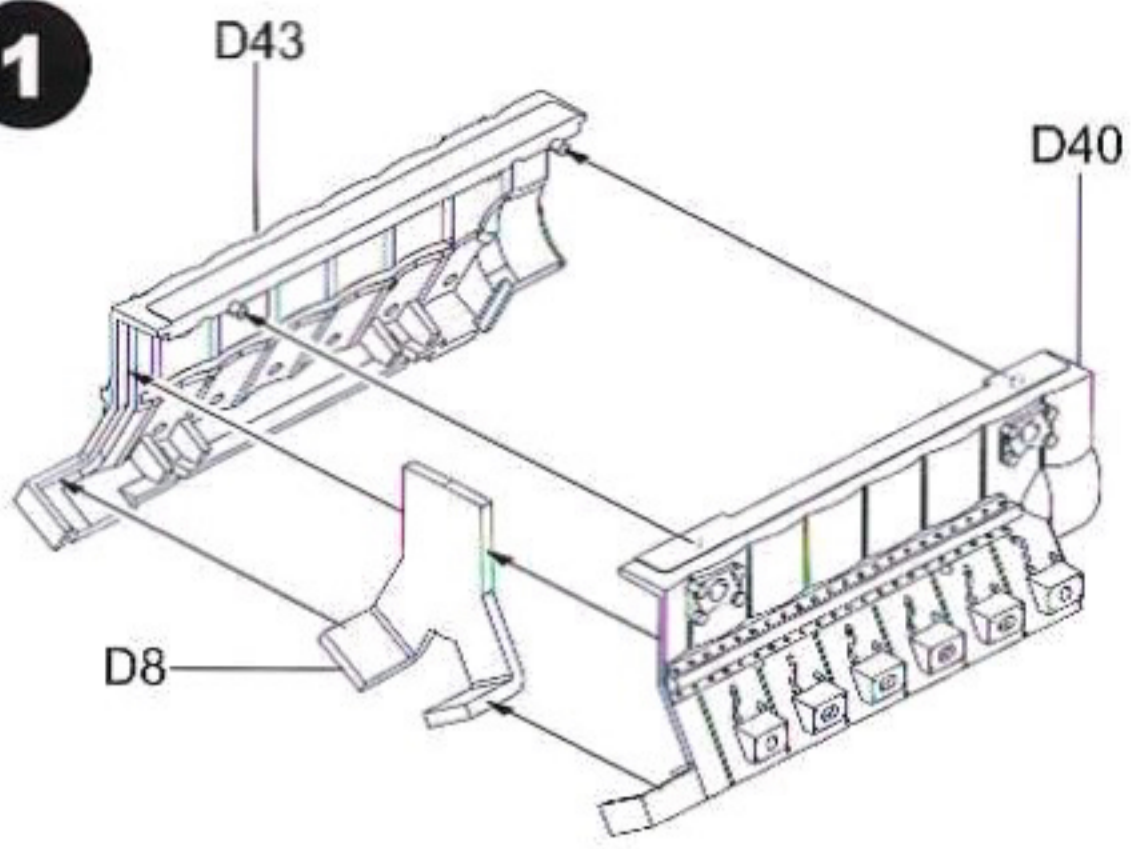


EASY TO ASSEMBLE PRECISION MODEL KIT ● MODELING SKILLS HELPFUL IF UNDER 14 YEARS OF AGE ● MODEL MADE FROM IMAGE ON BOX ● GEMENT AND PAINT NOT INCLUDED

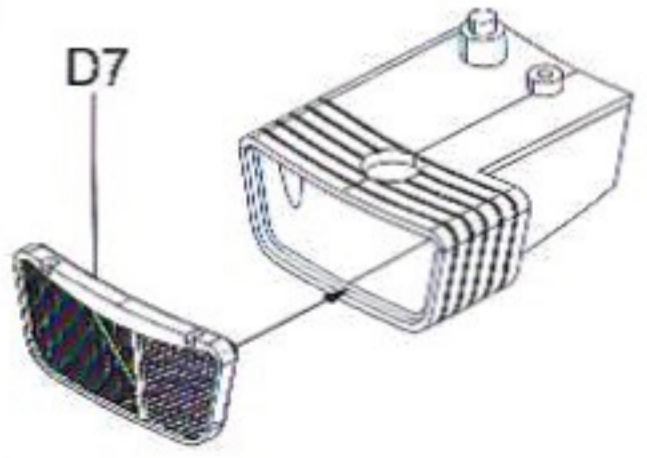
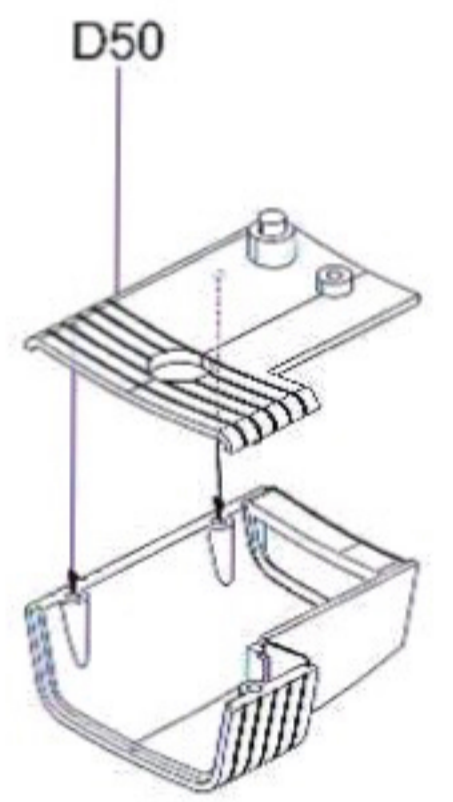
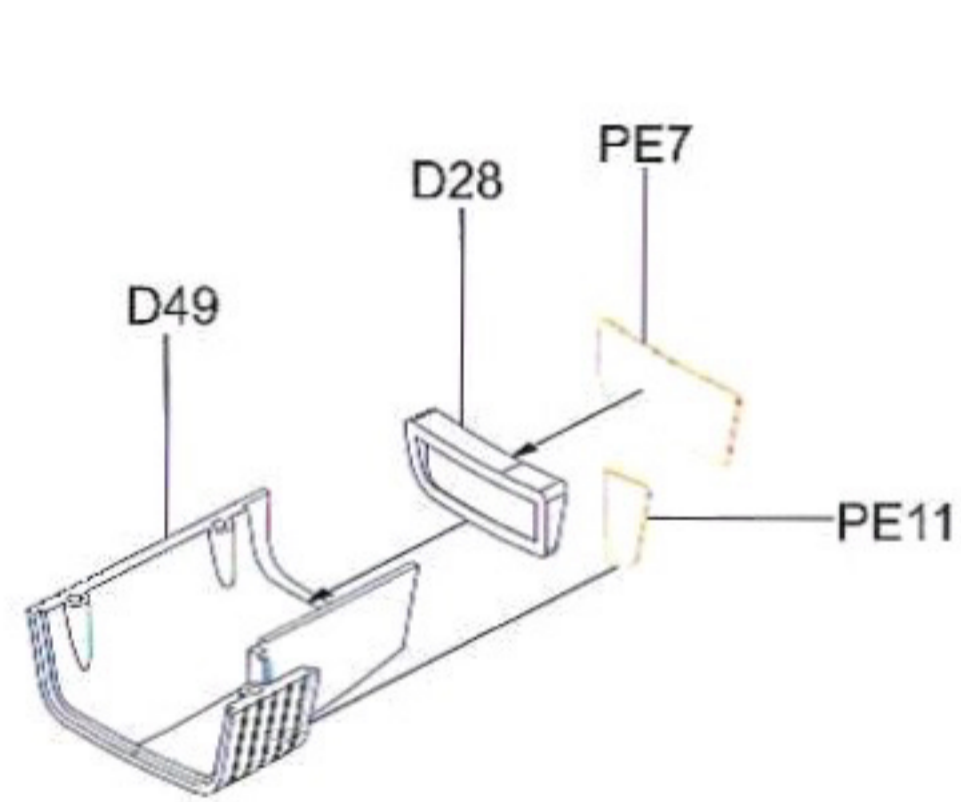
Acxa



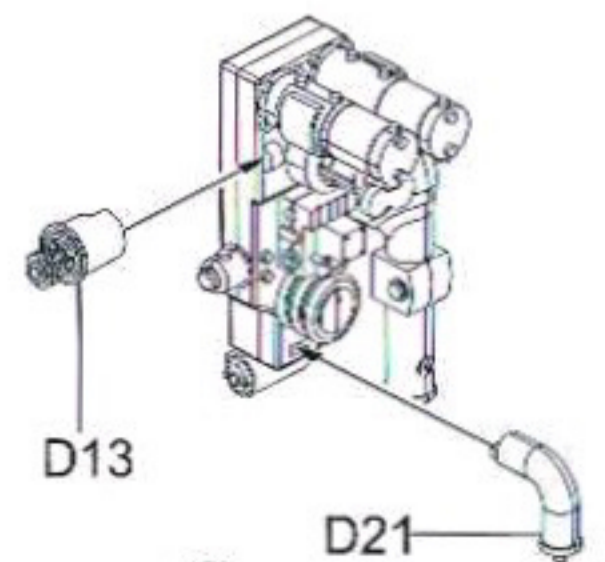
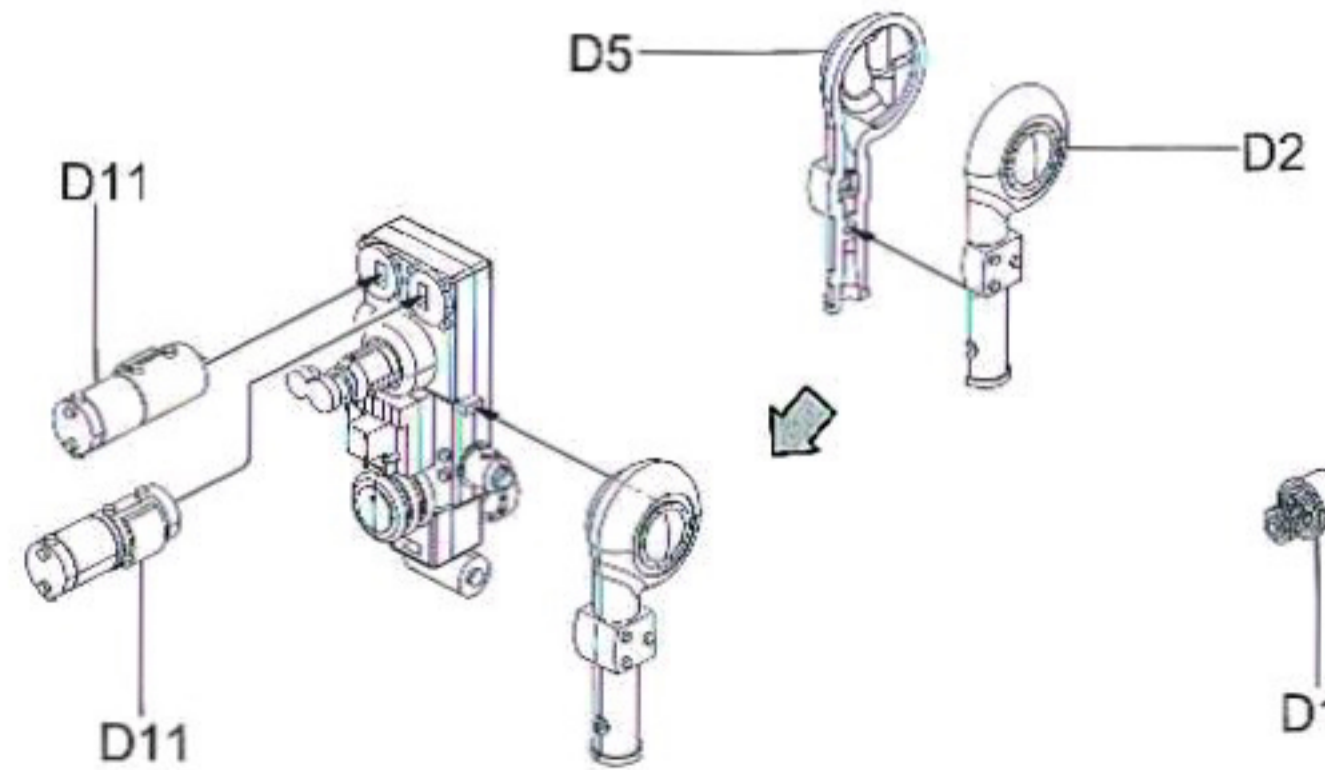
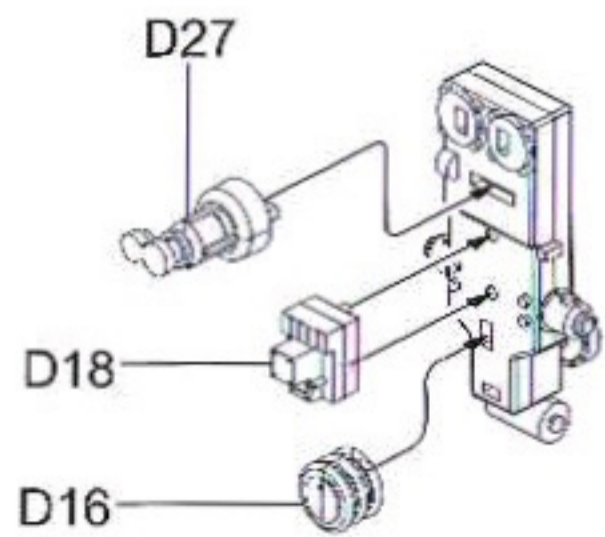
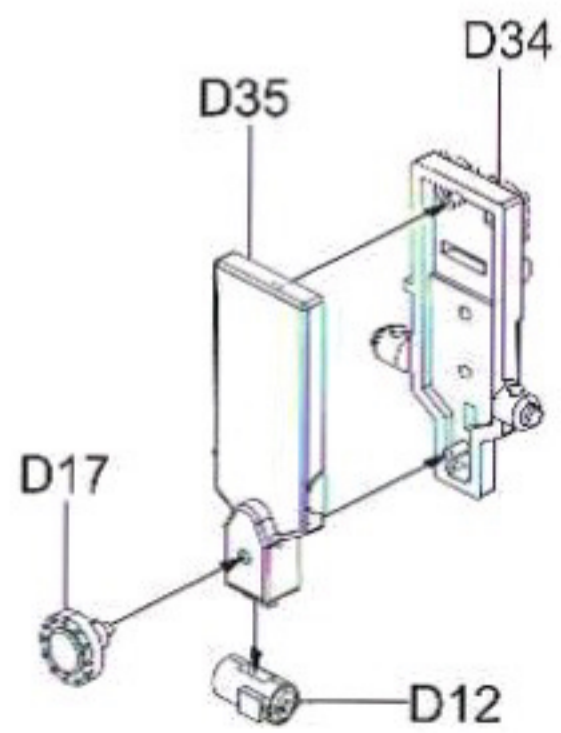
1



A

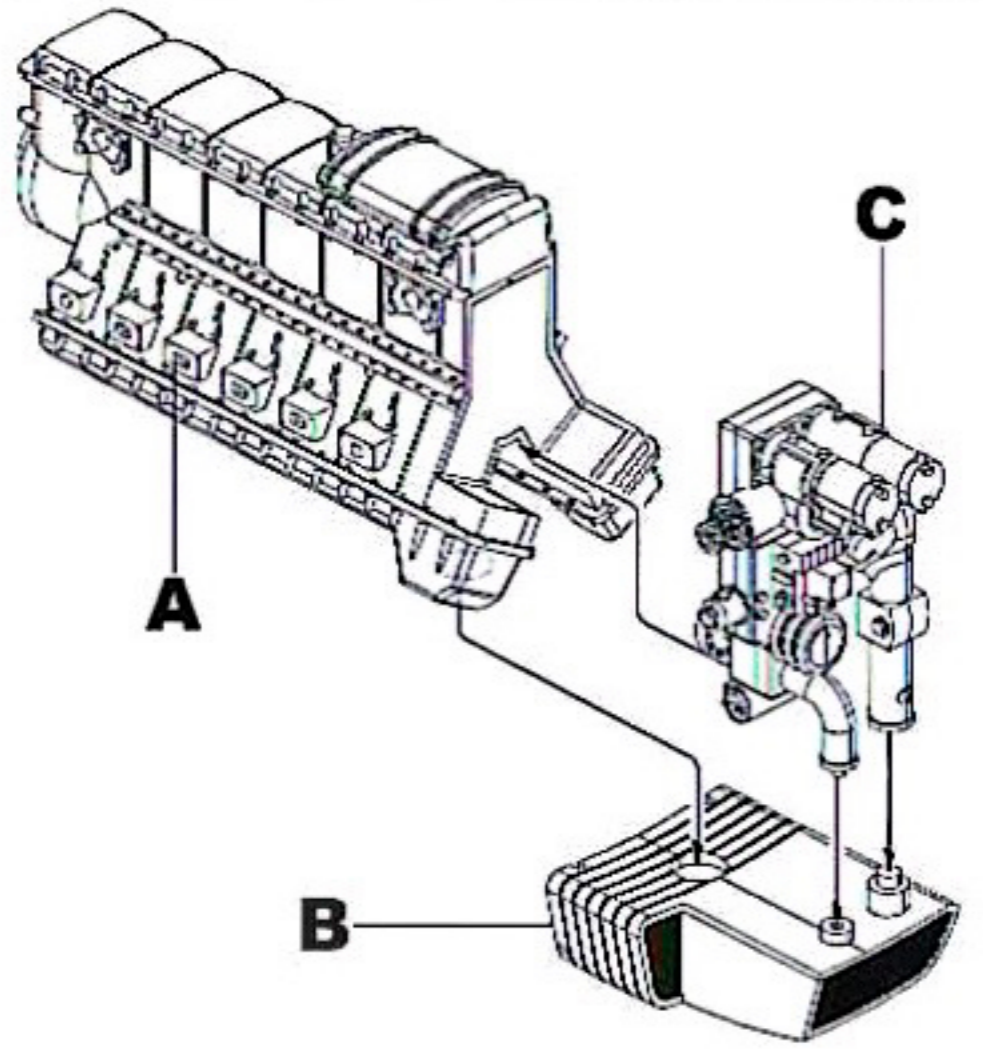


B

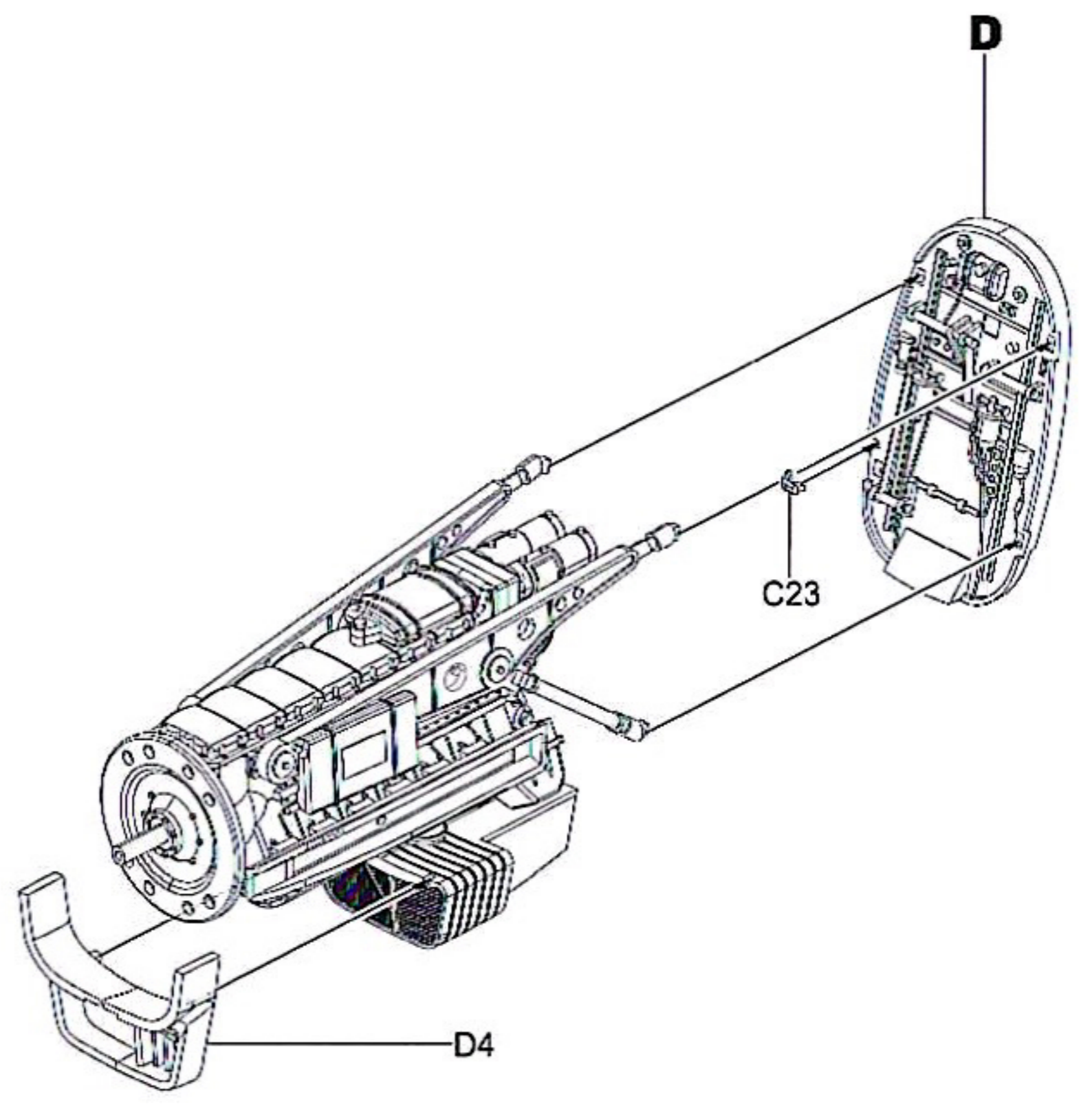
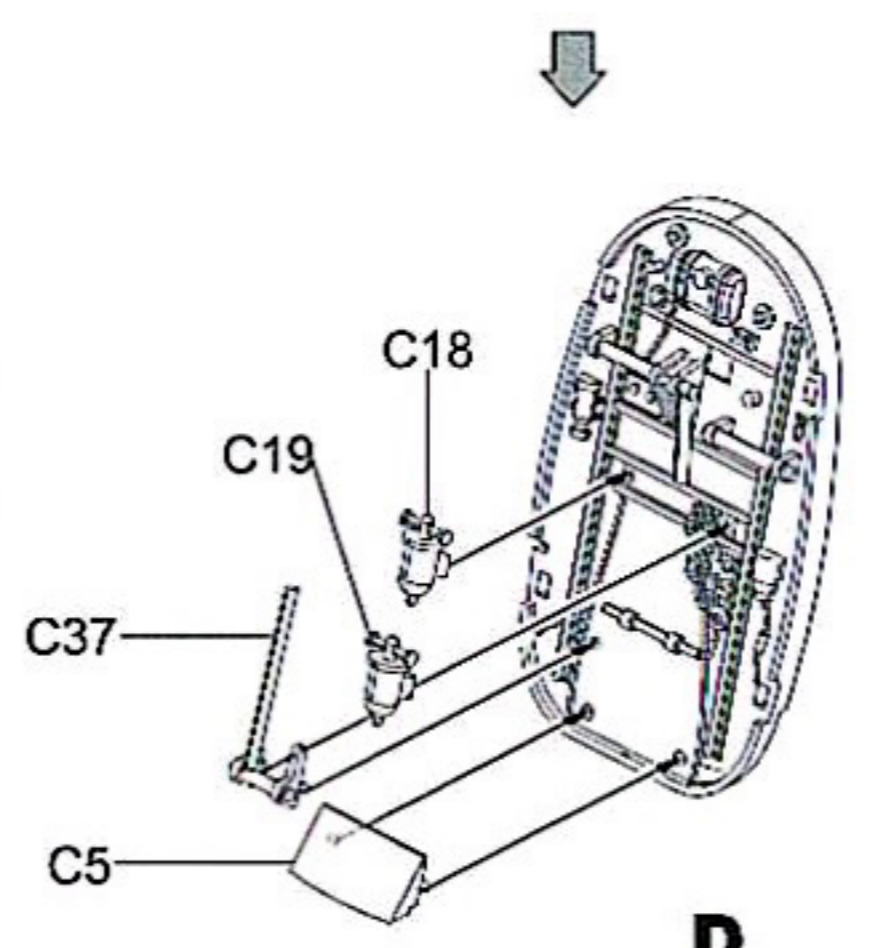
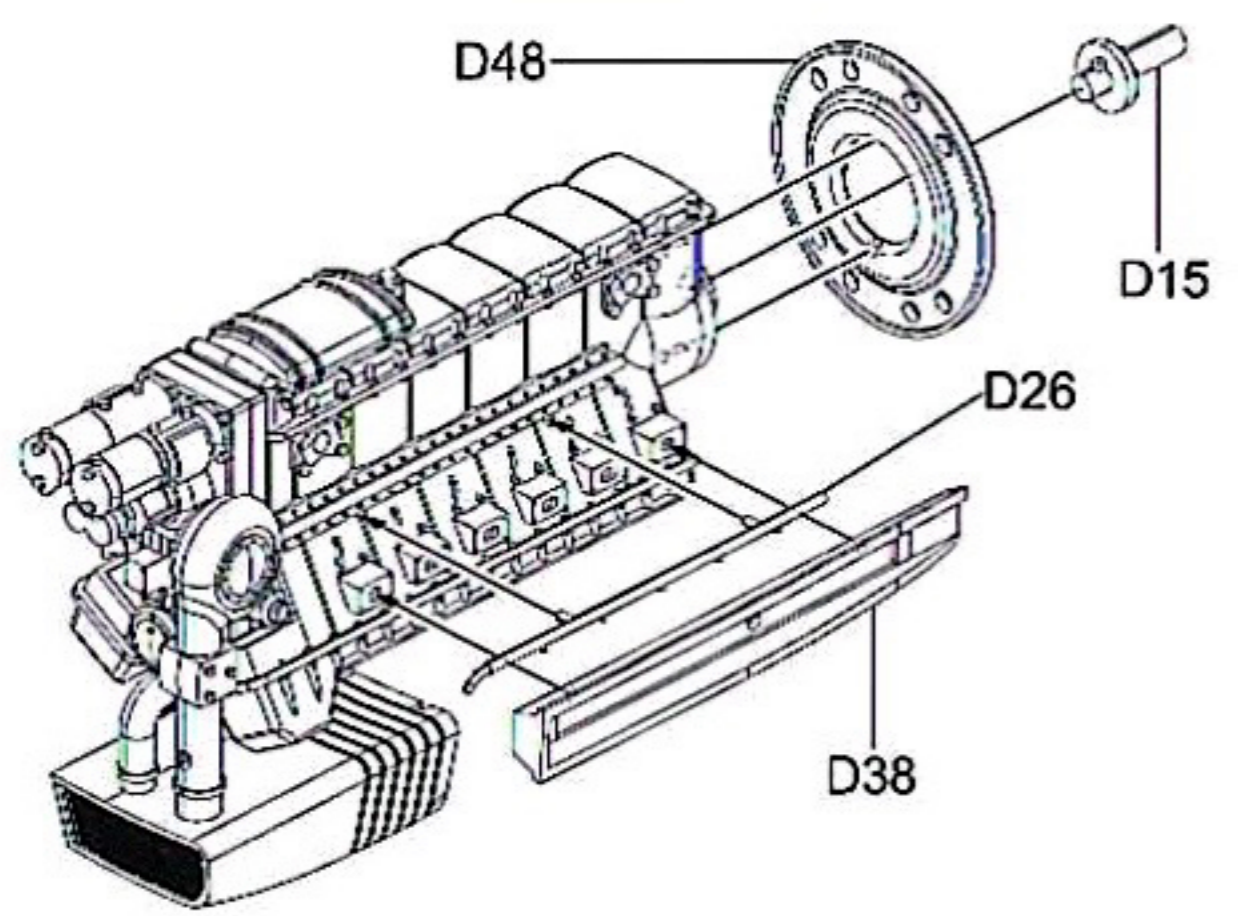
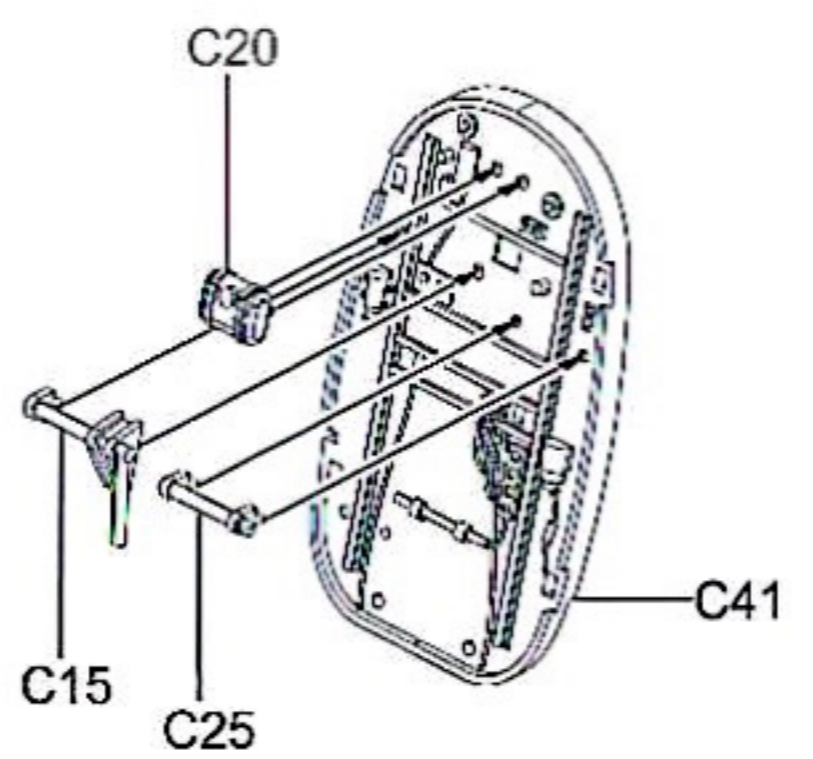
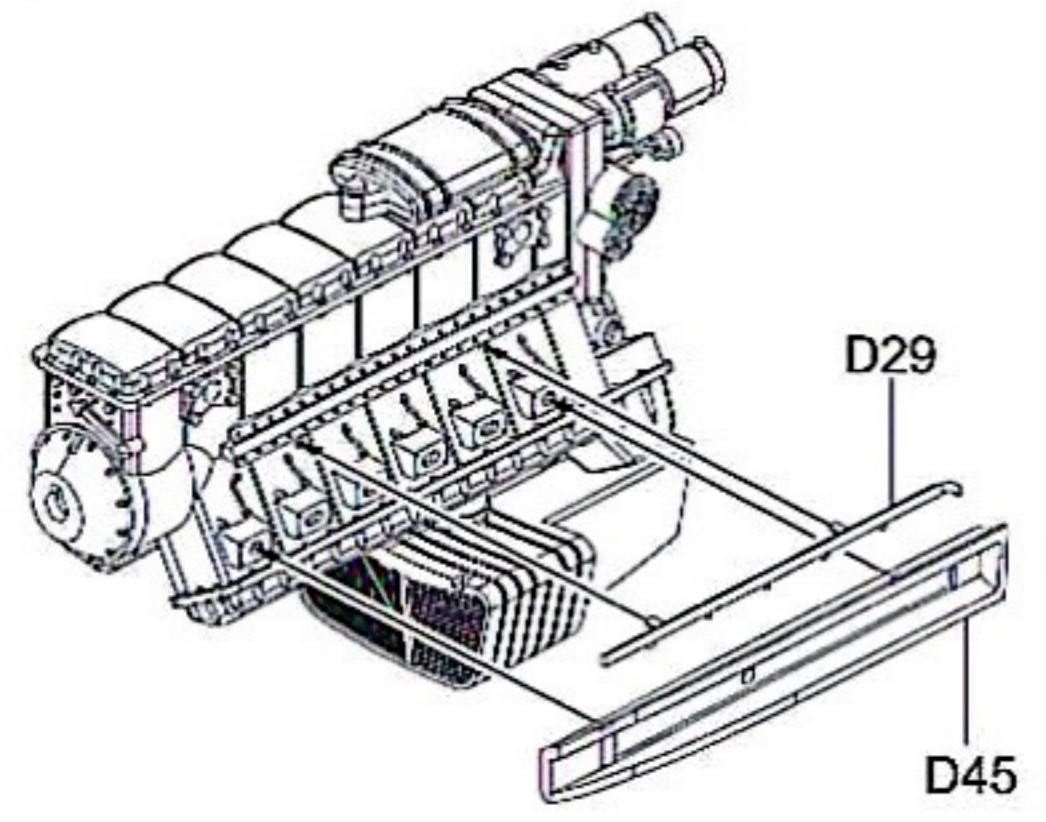
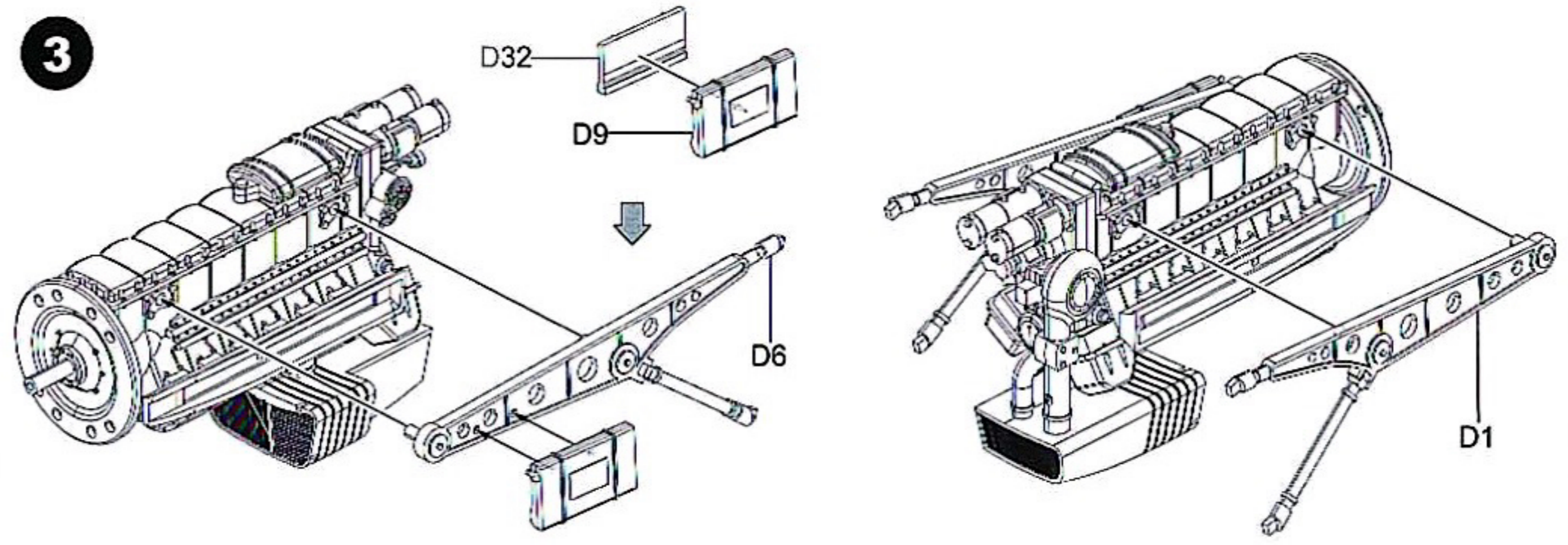


C

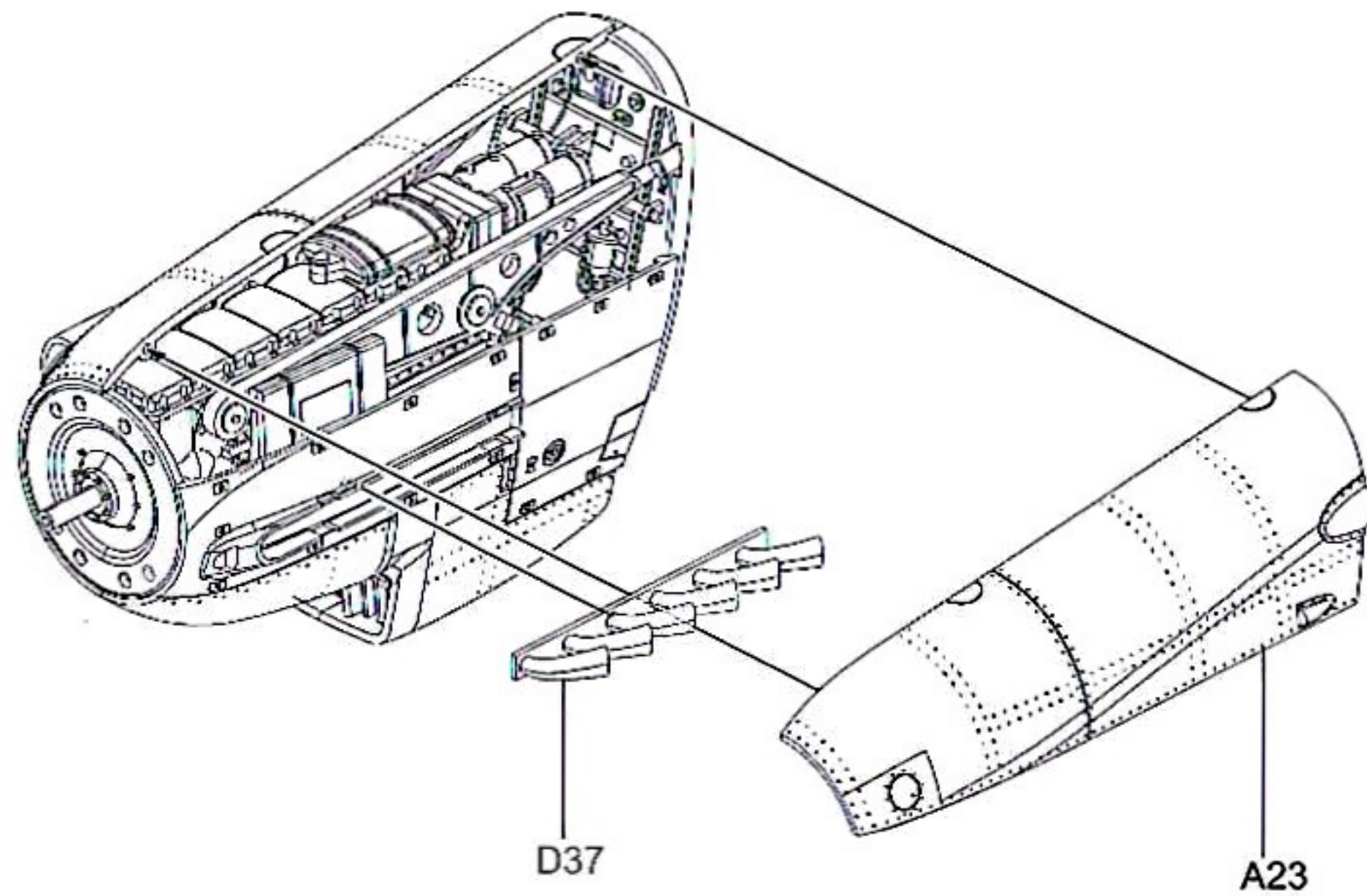
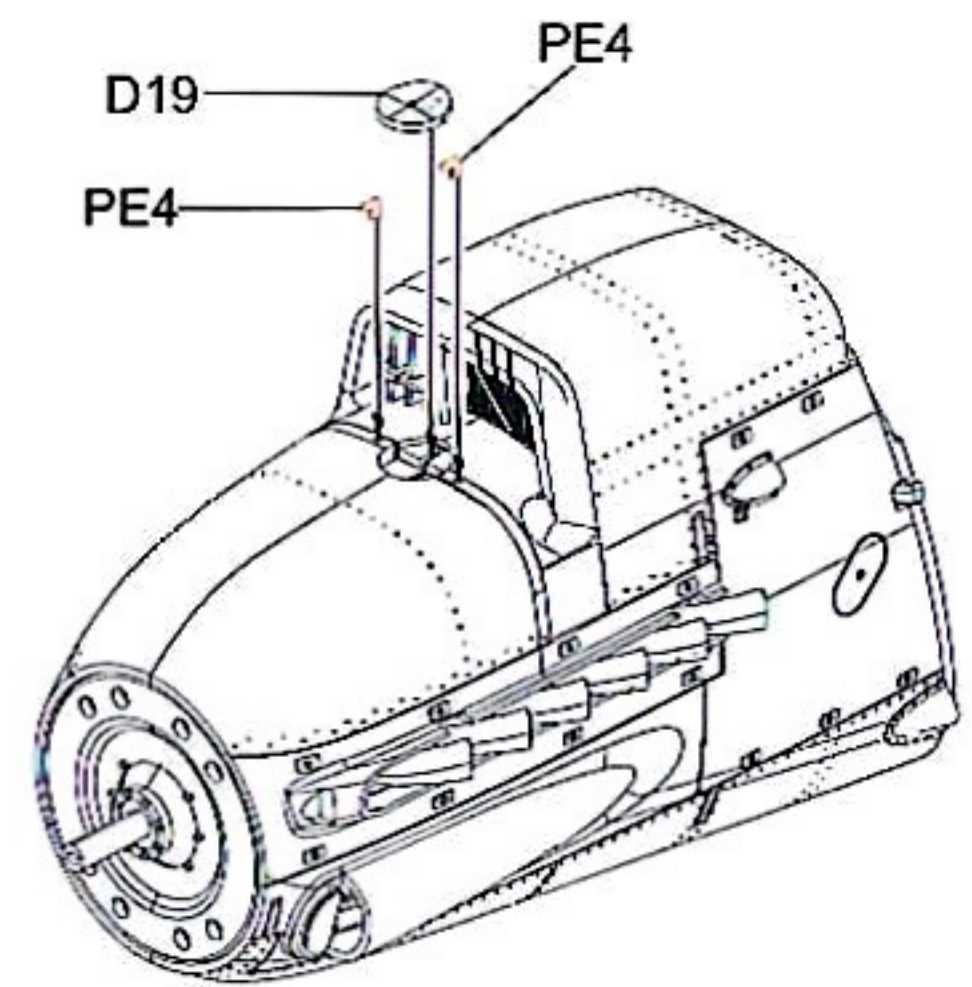
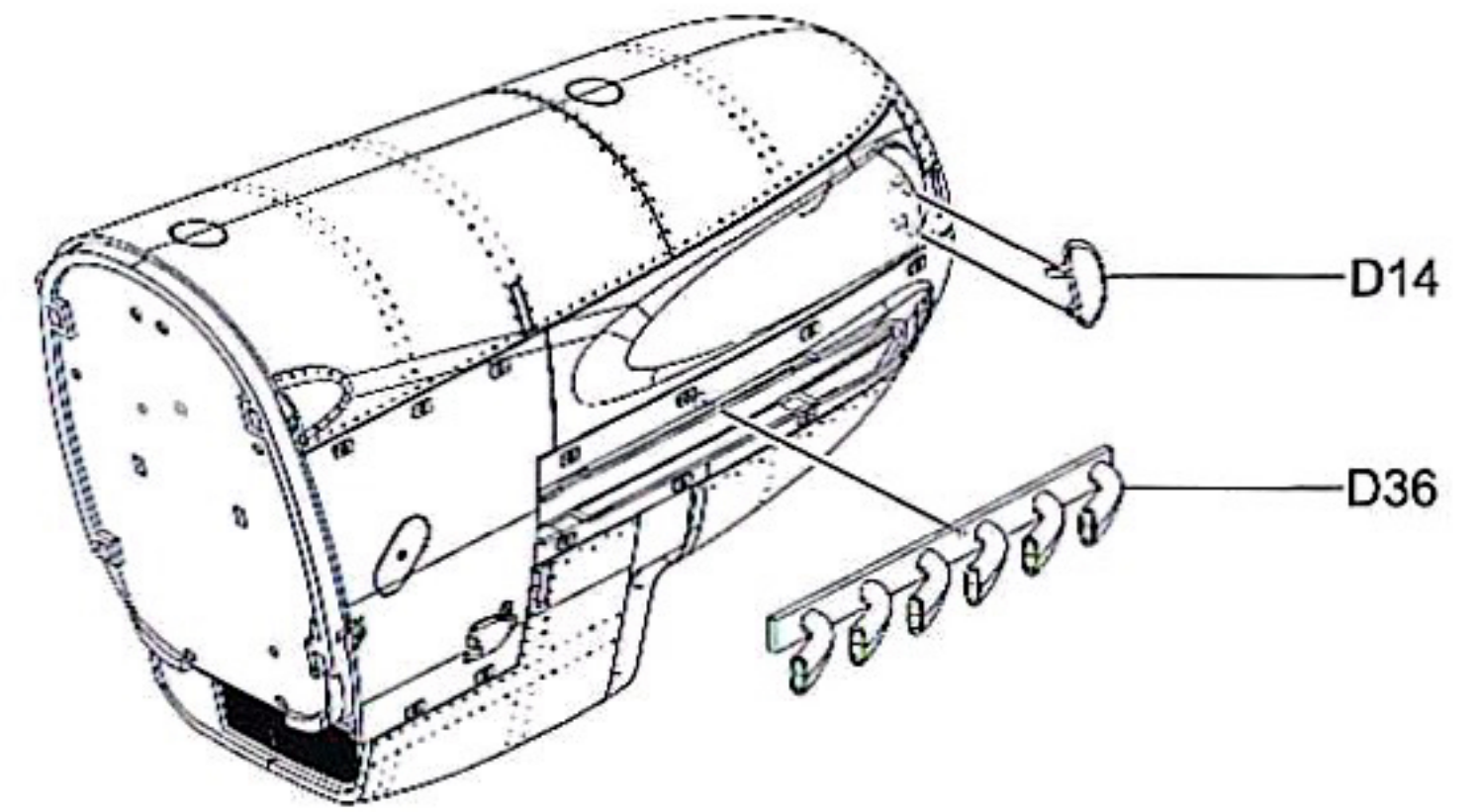
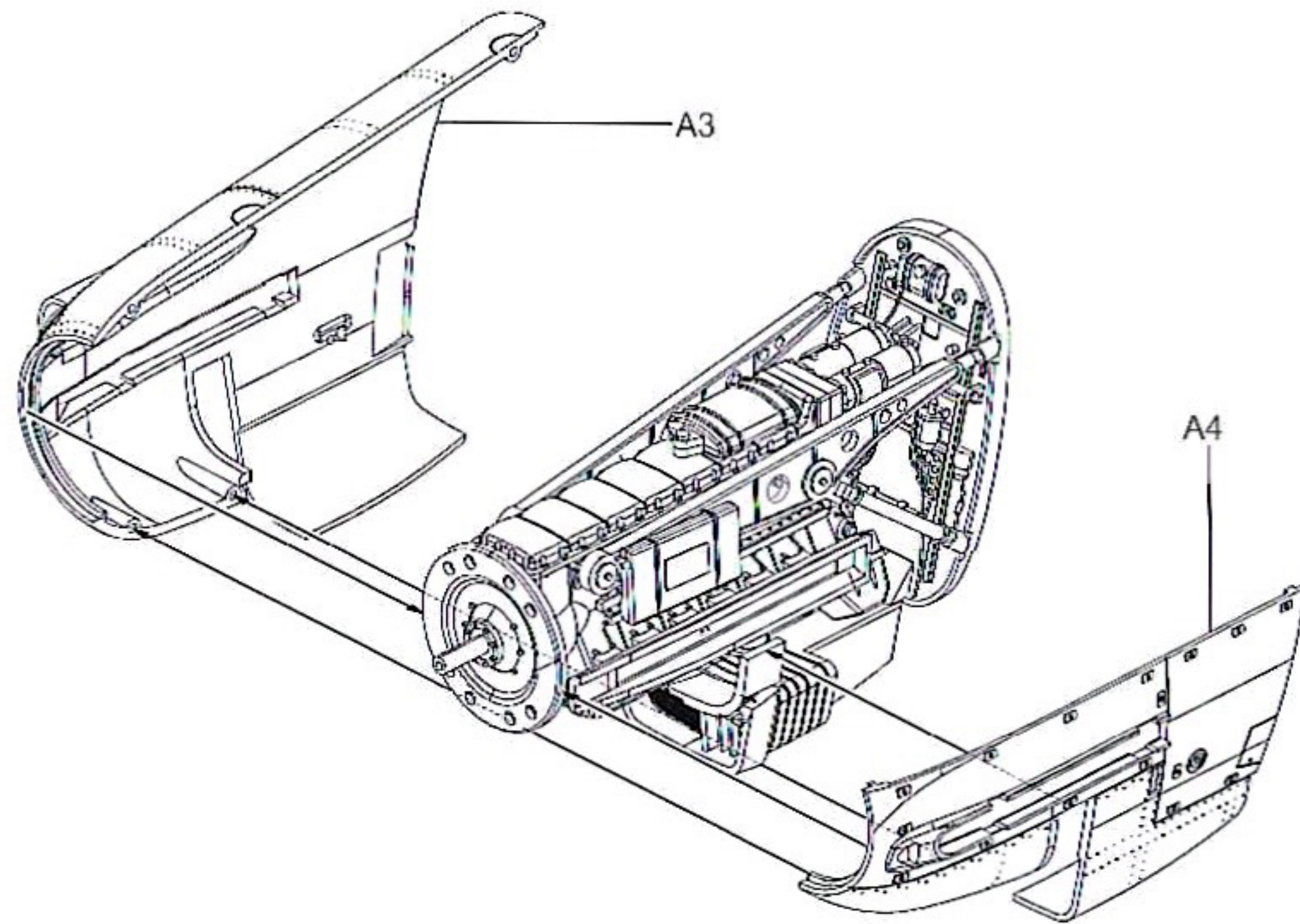
2



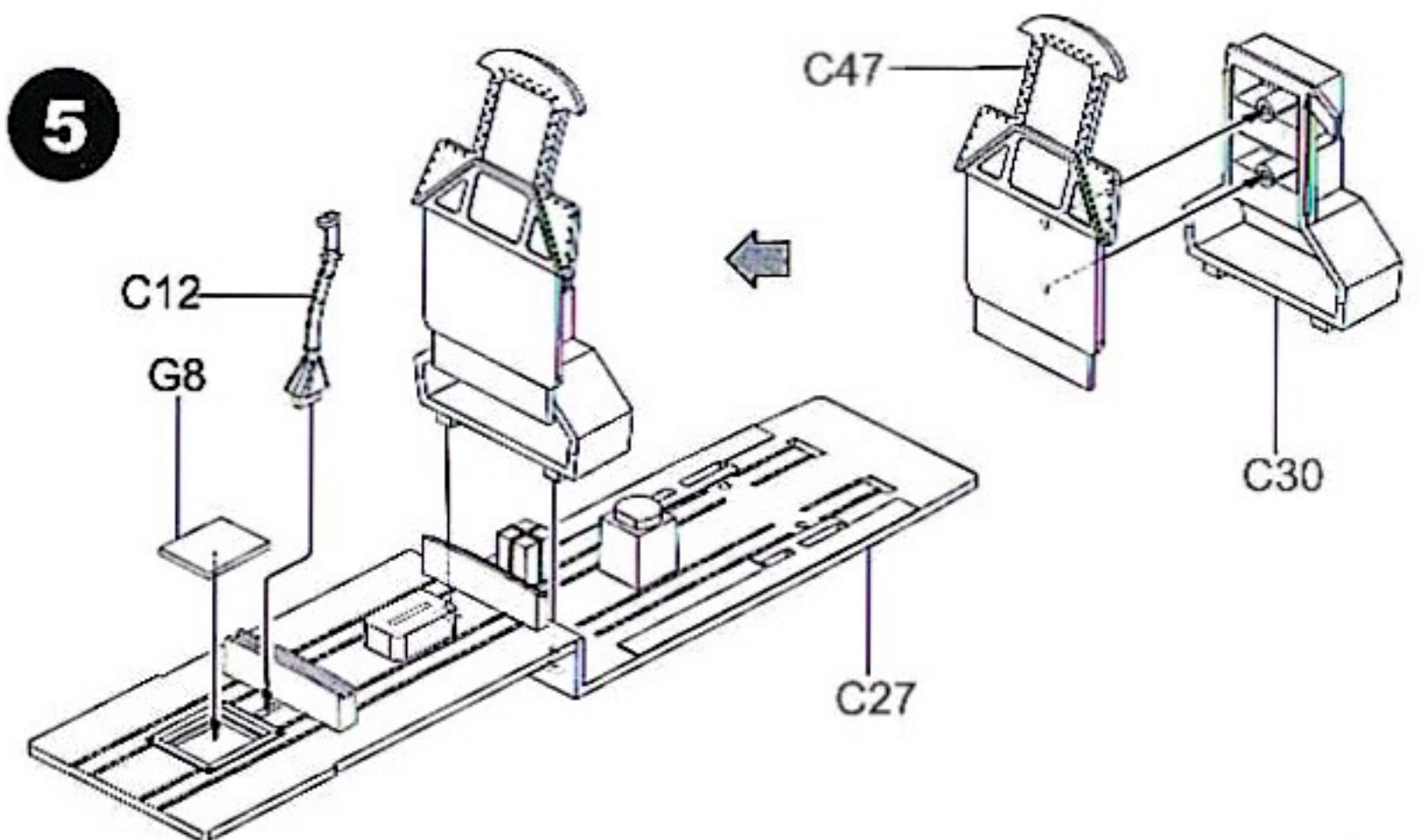
3



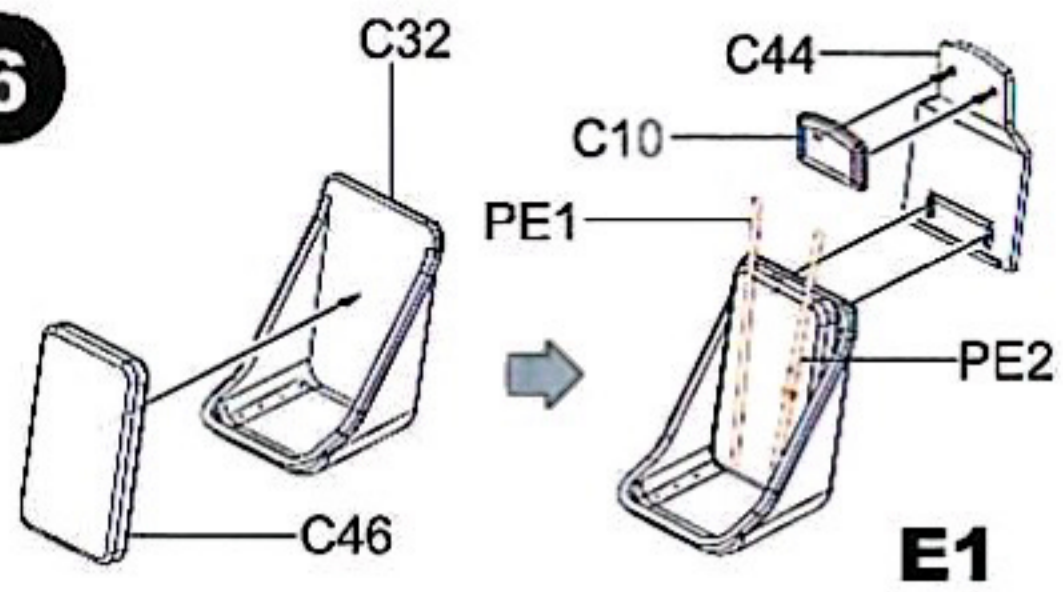
4



5

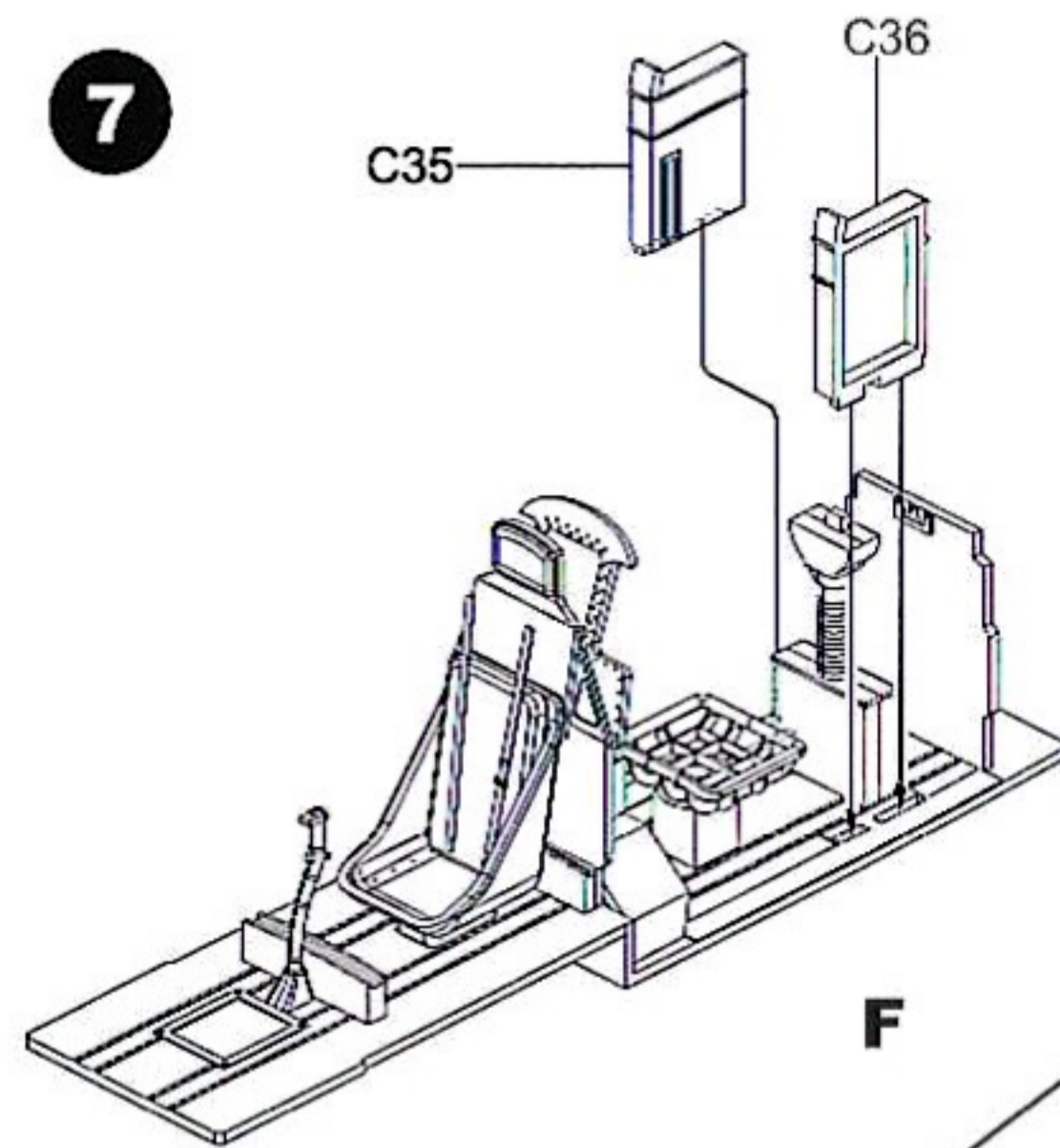


6



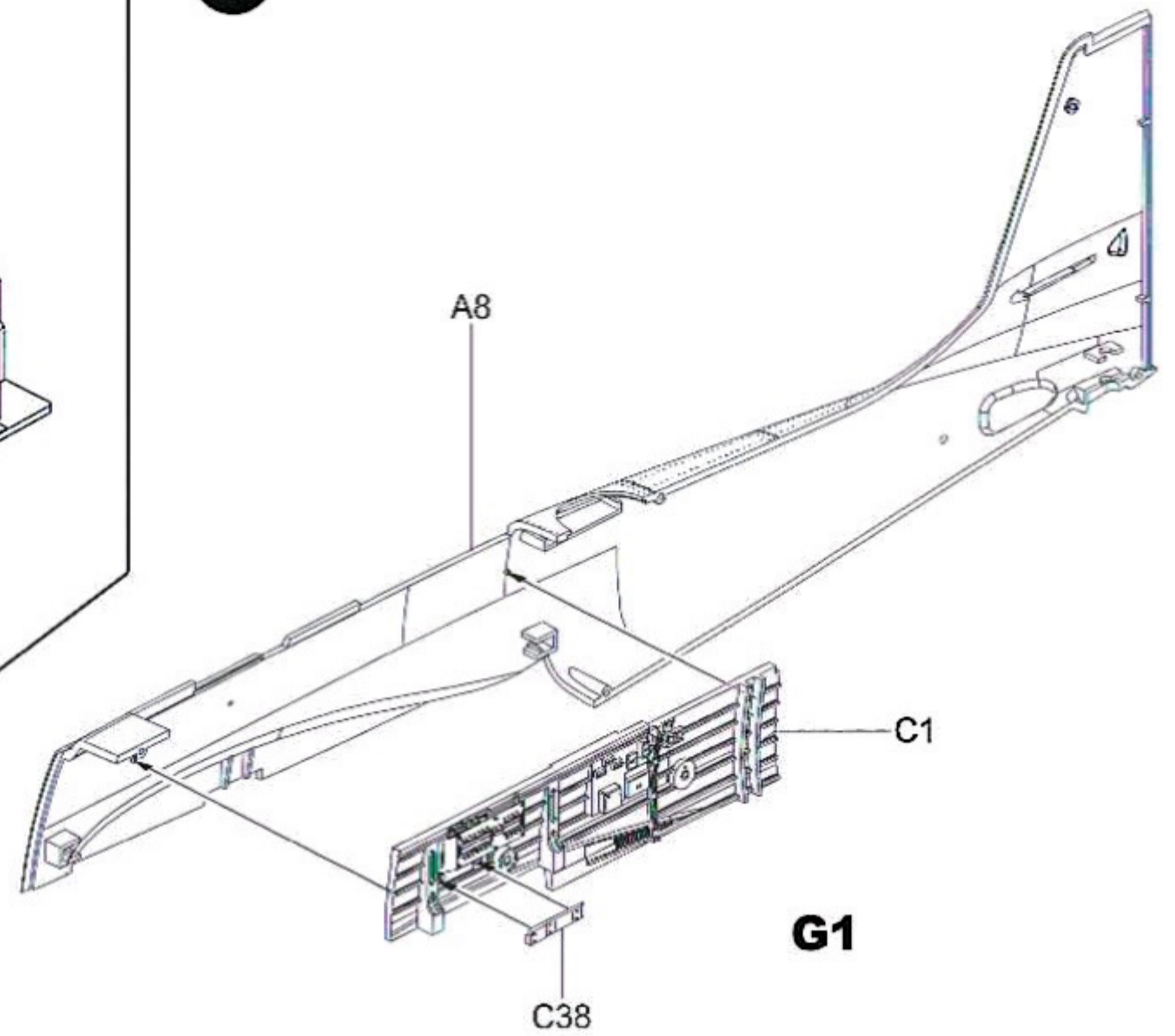
E1

7



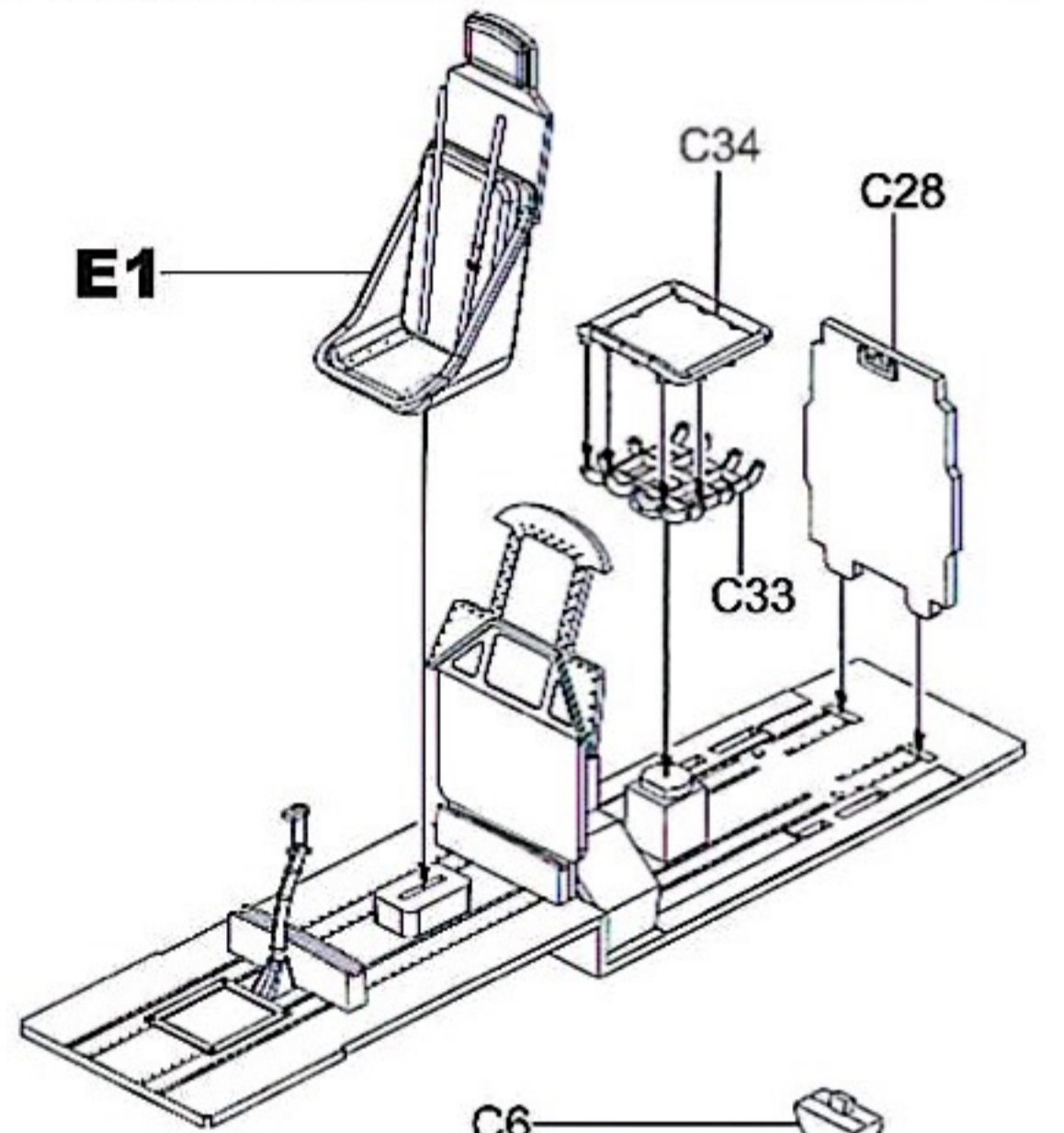
F

8

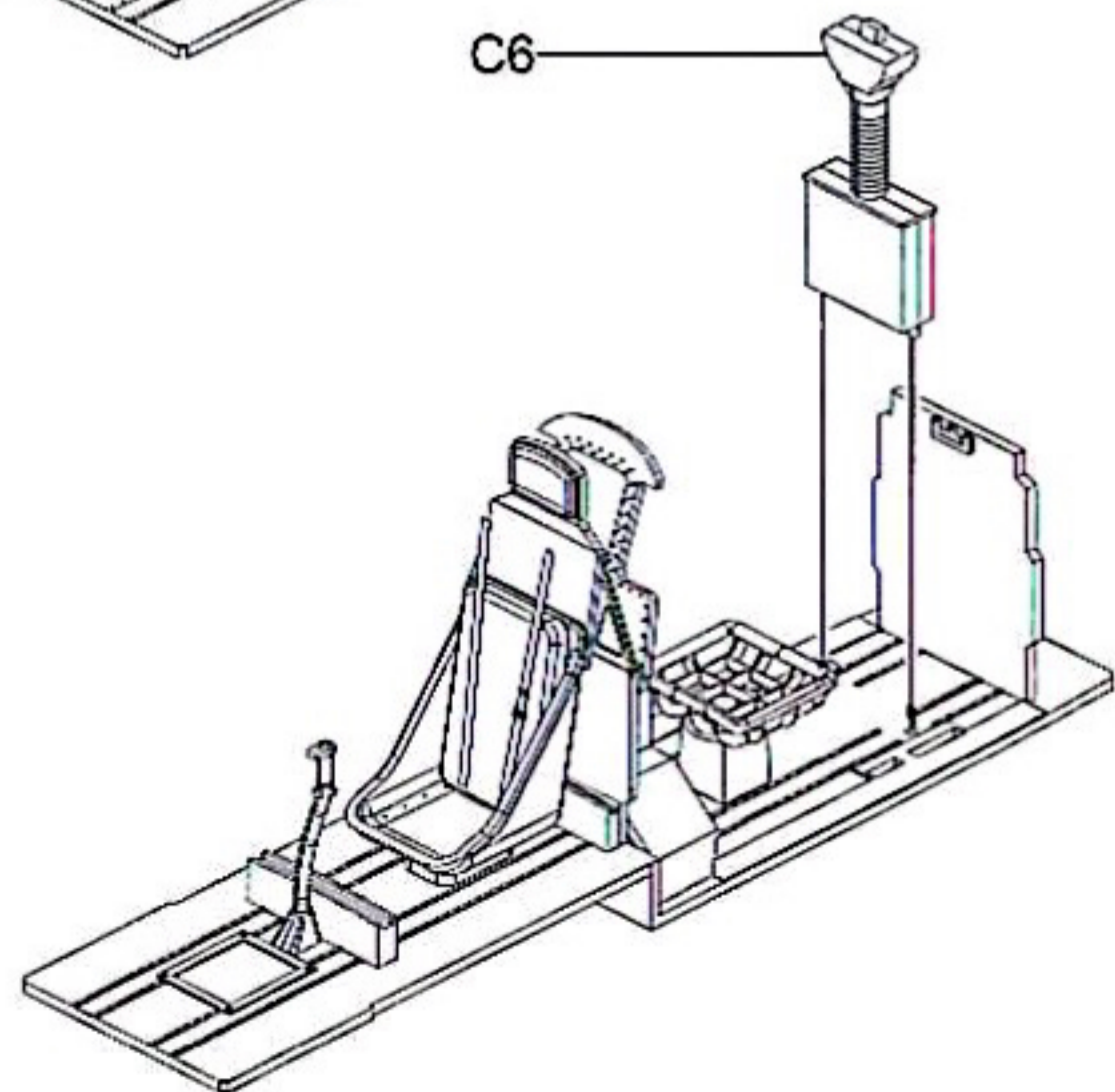


G1

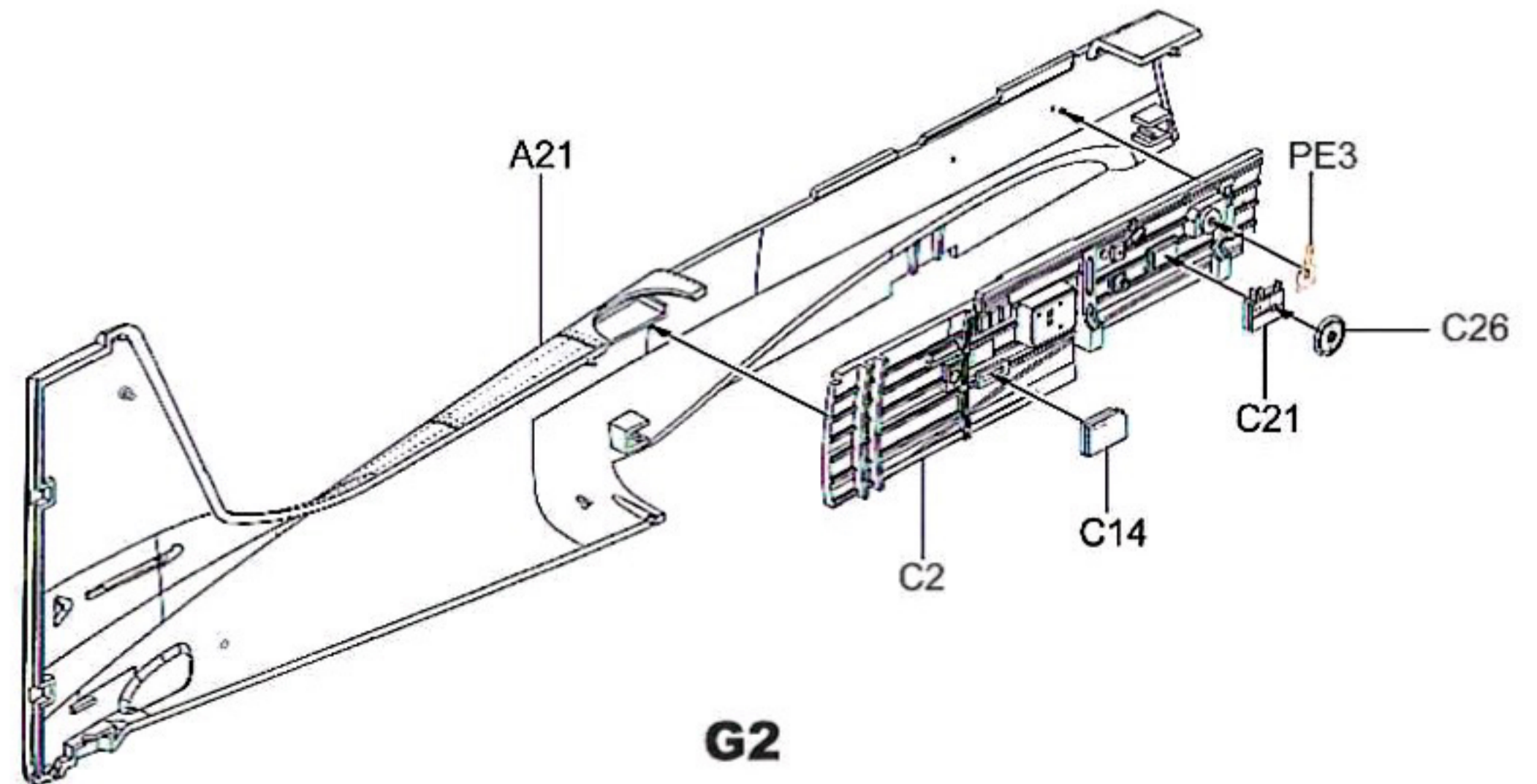
E1



C6

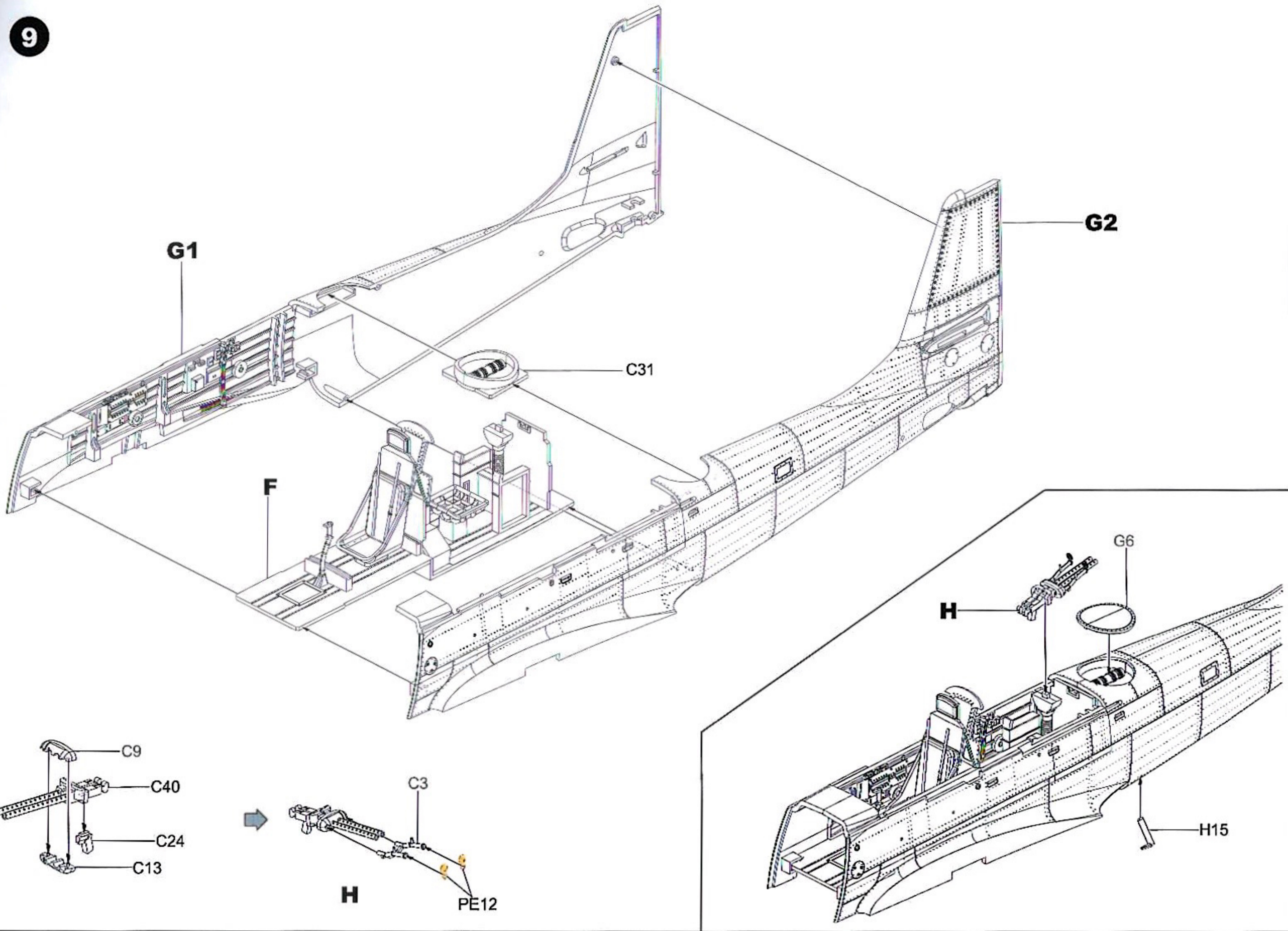


A21

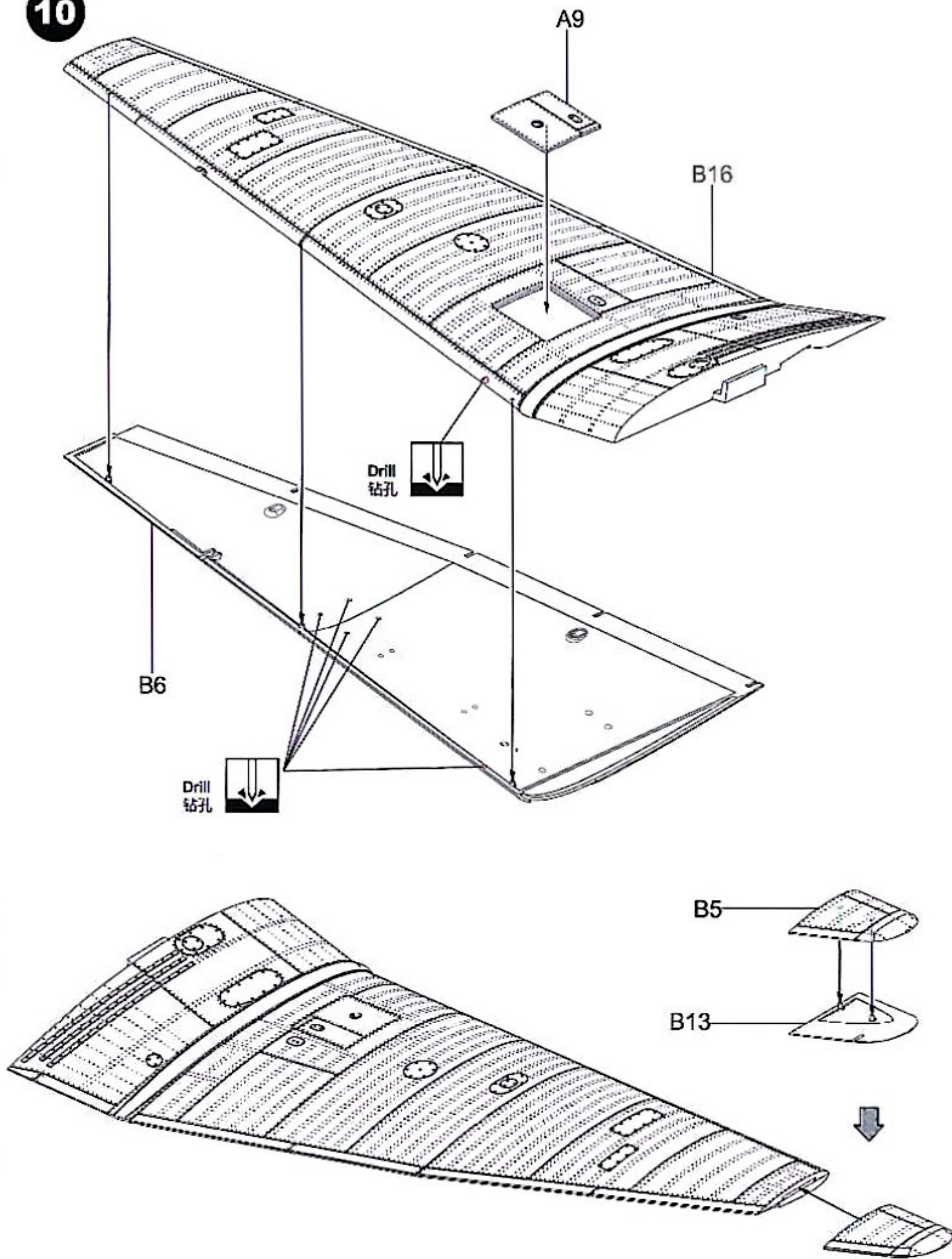


G2

9

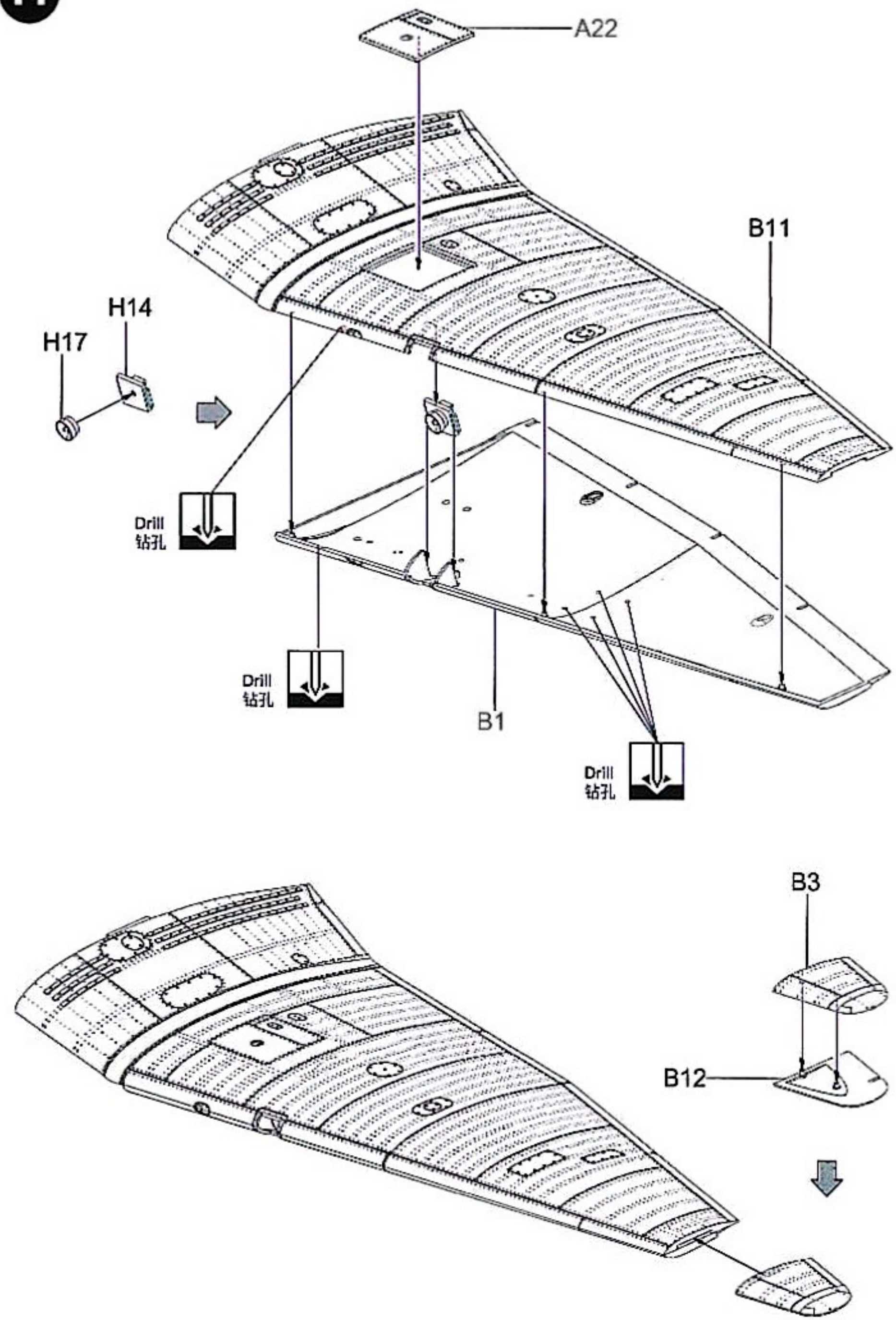


10



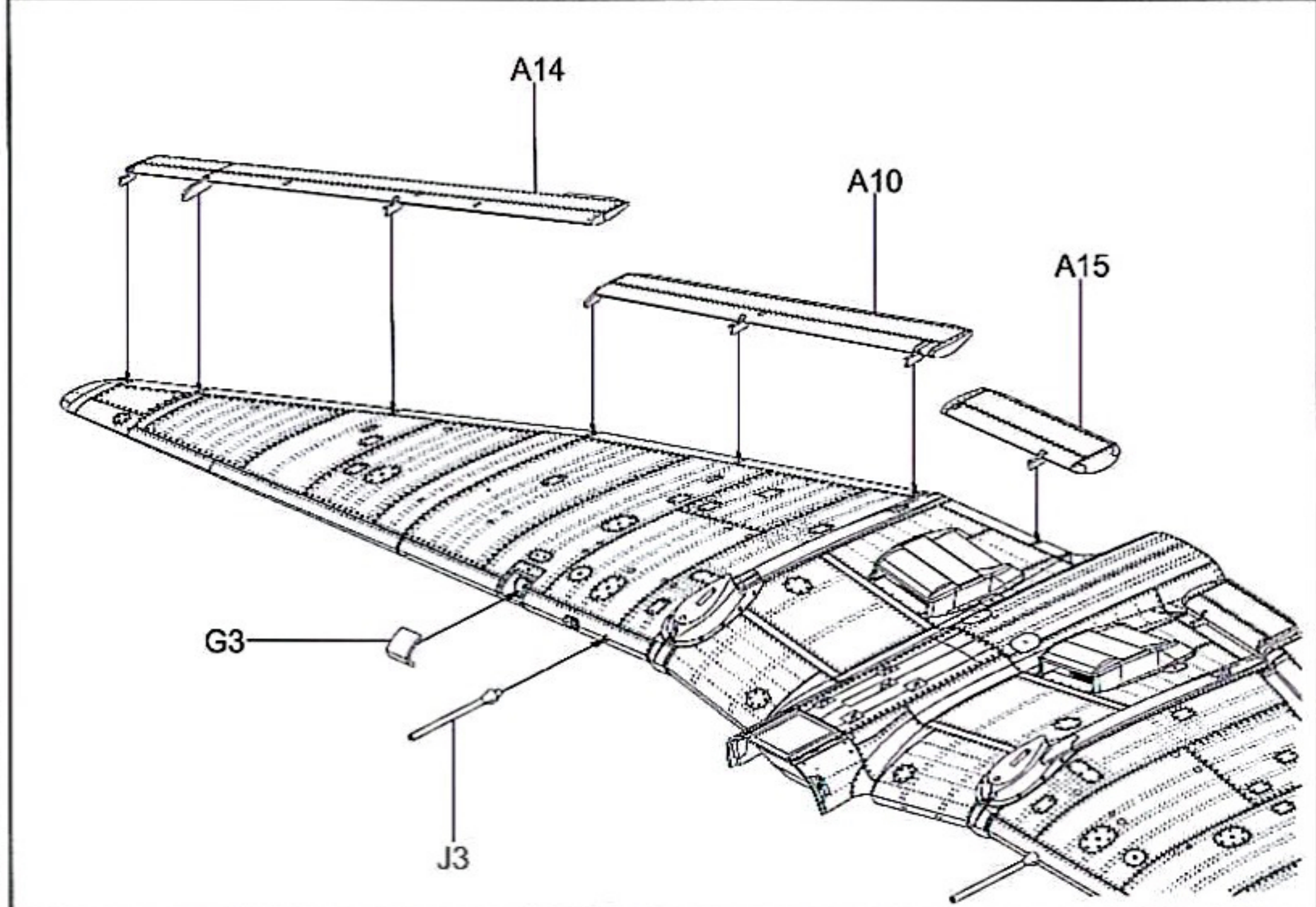
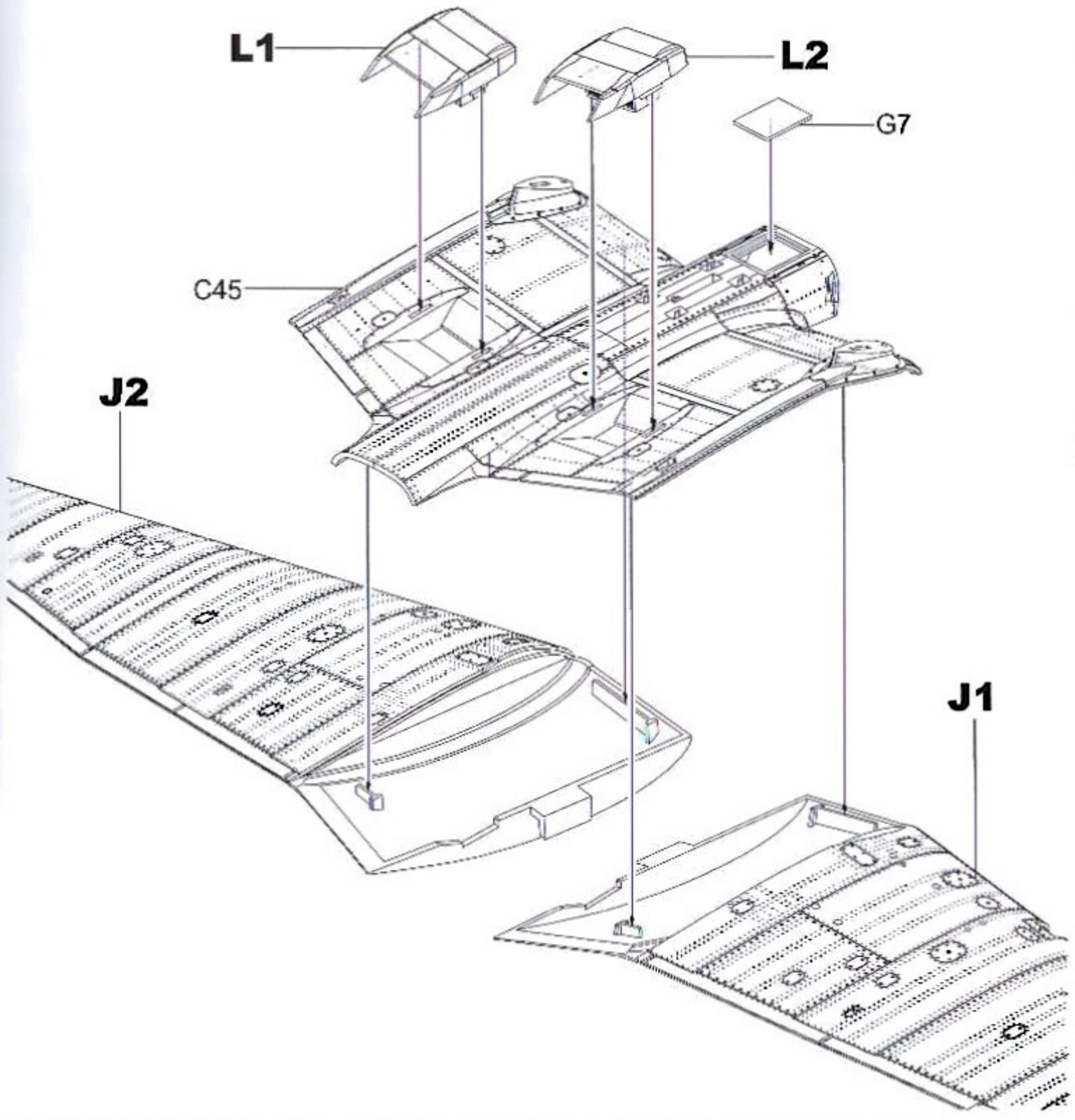
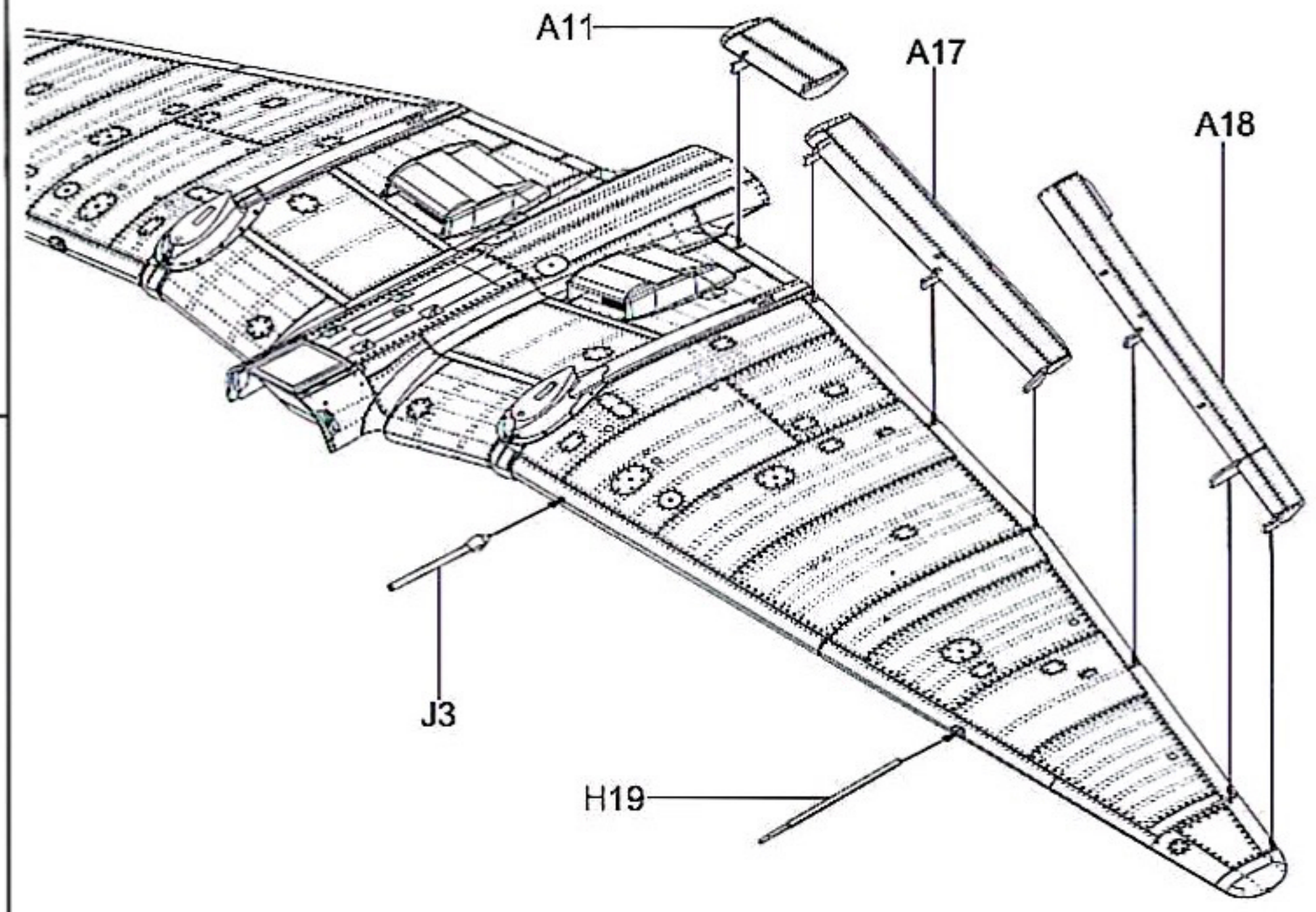
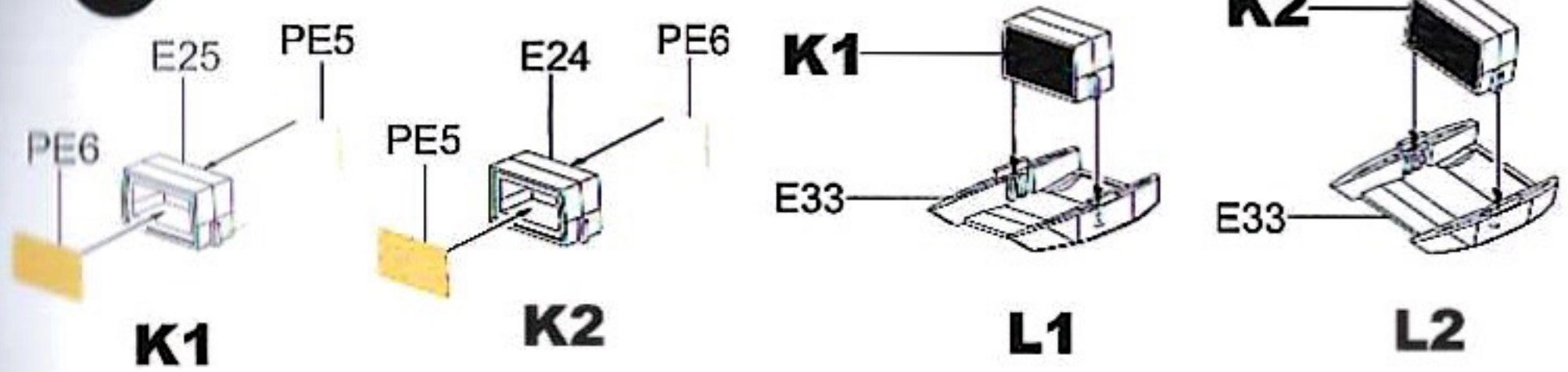
J2

11

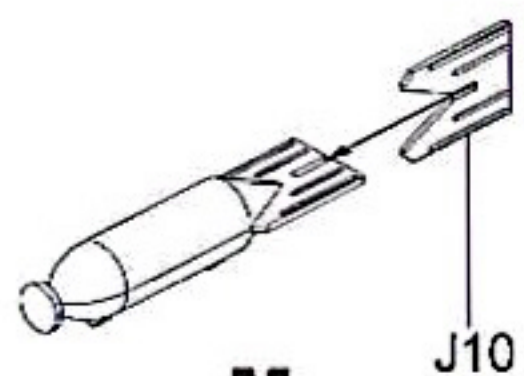
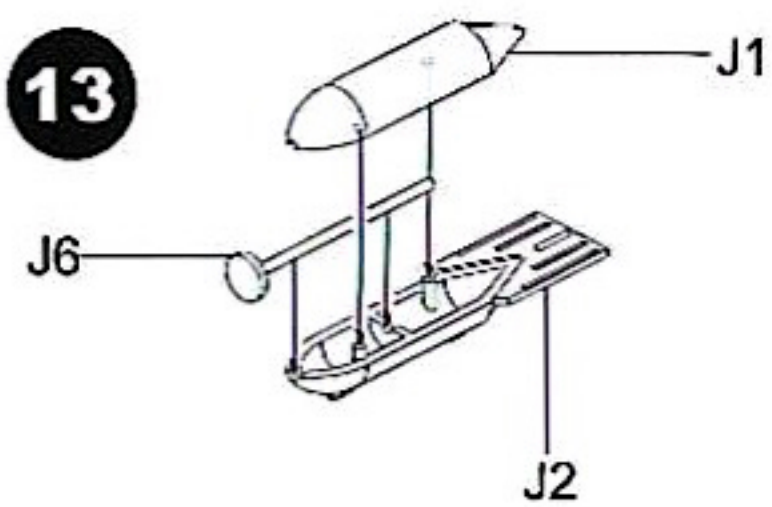


J1

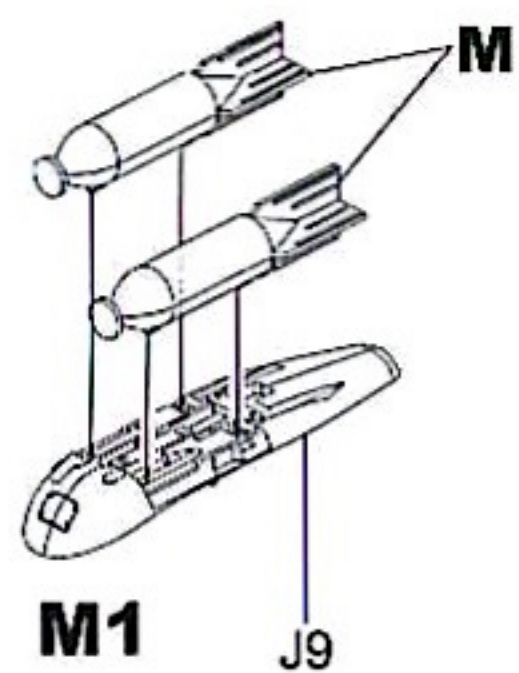
12



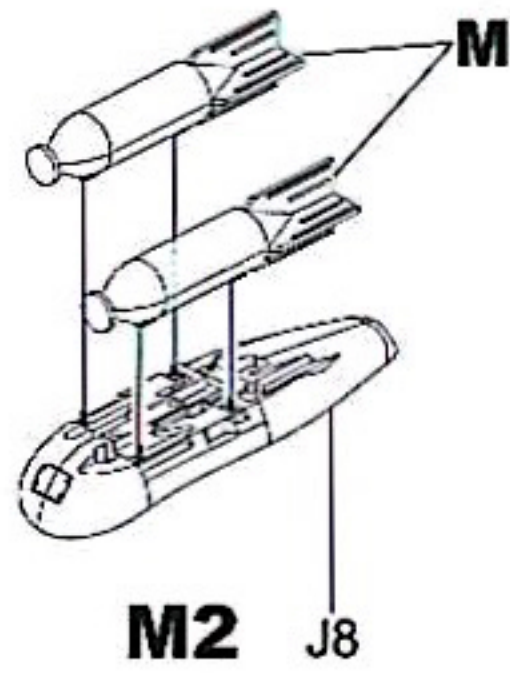
13



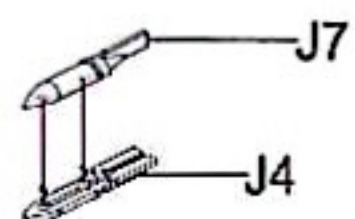
M
MAKE 4



M1 J9



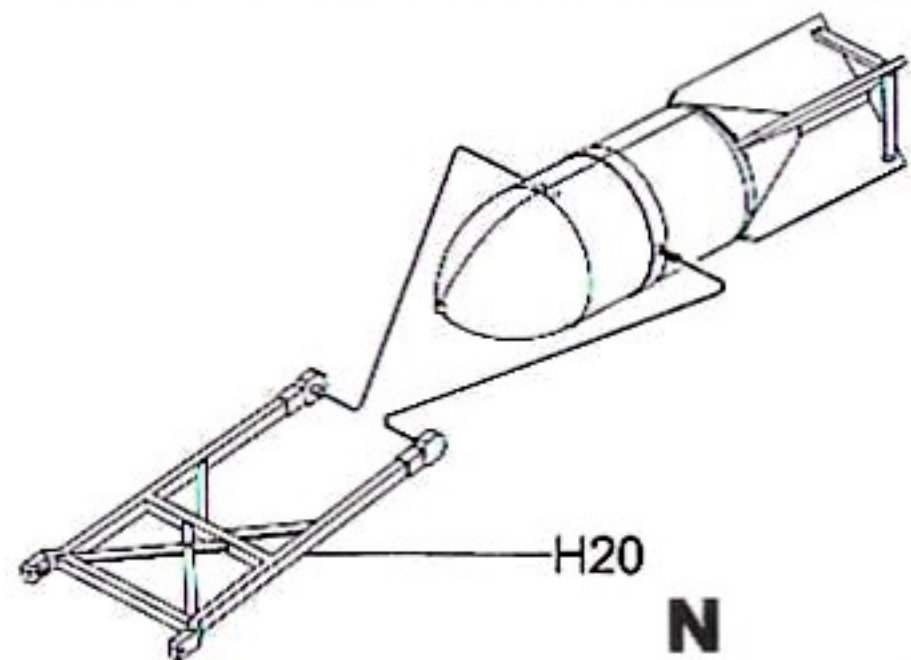
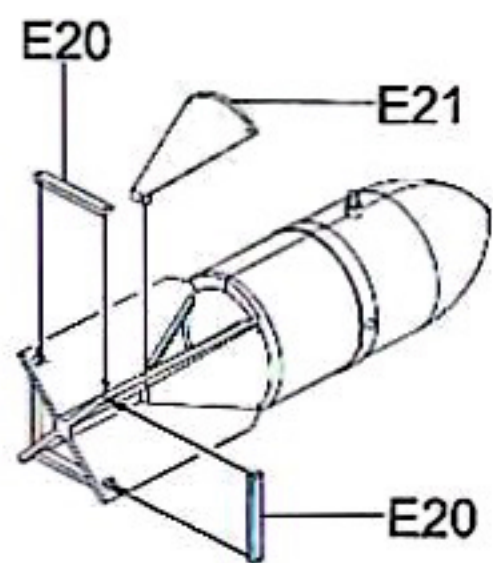
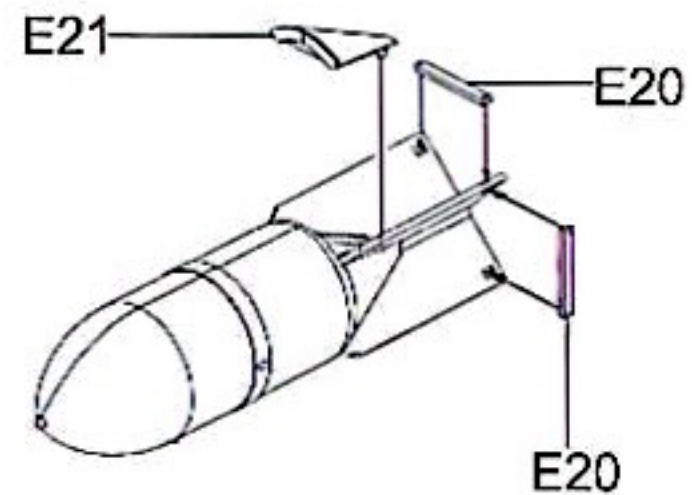
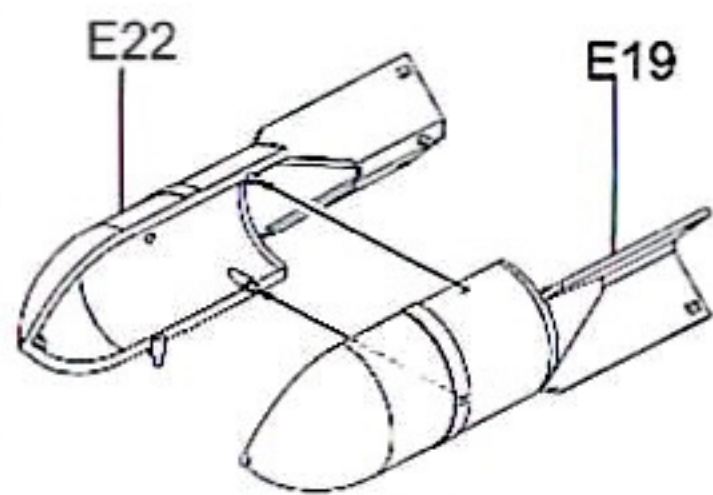
M2 J8



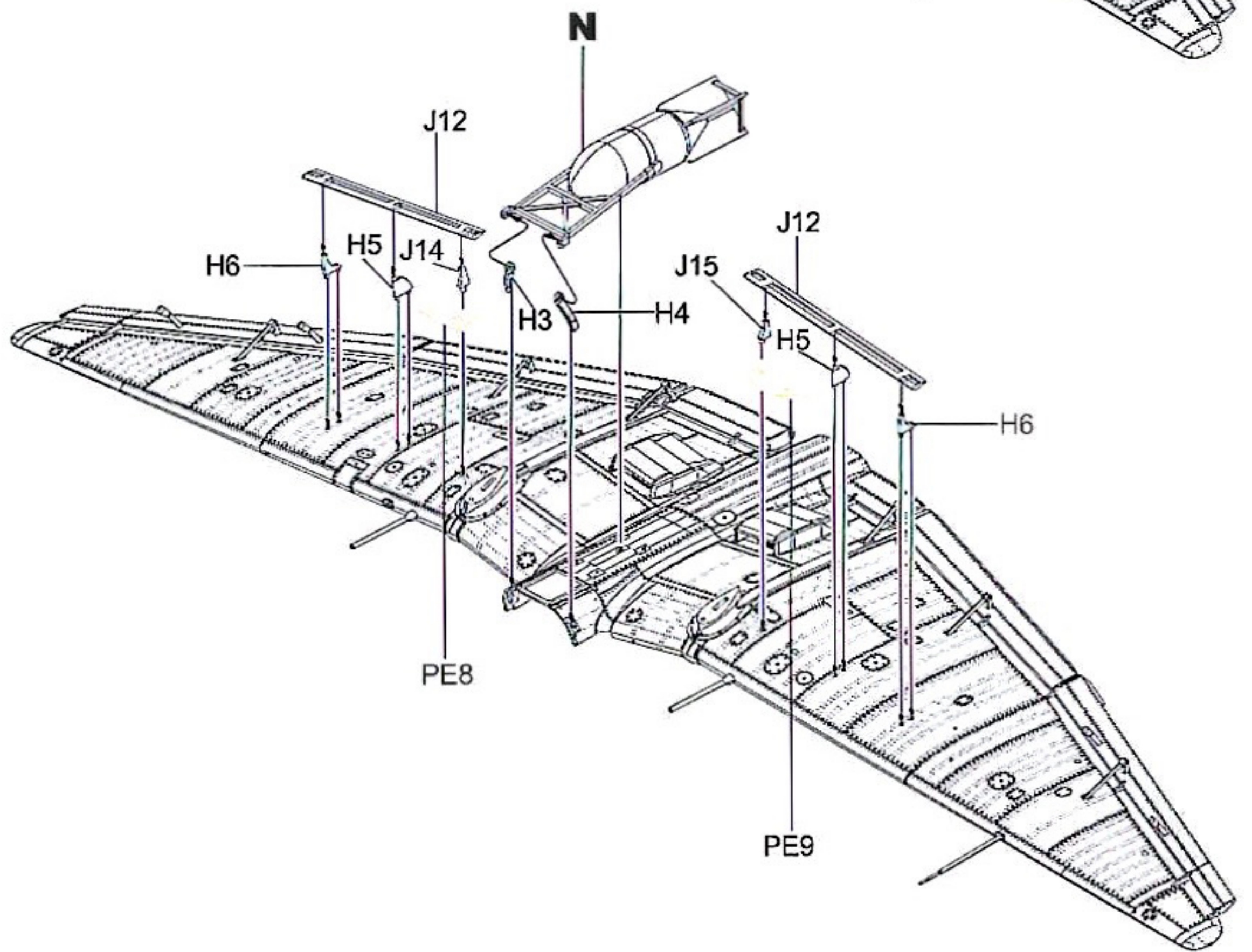
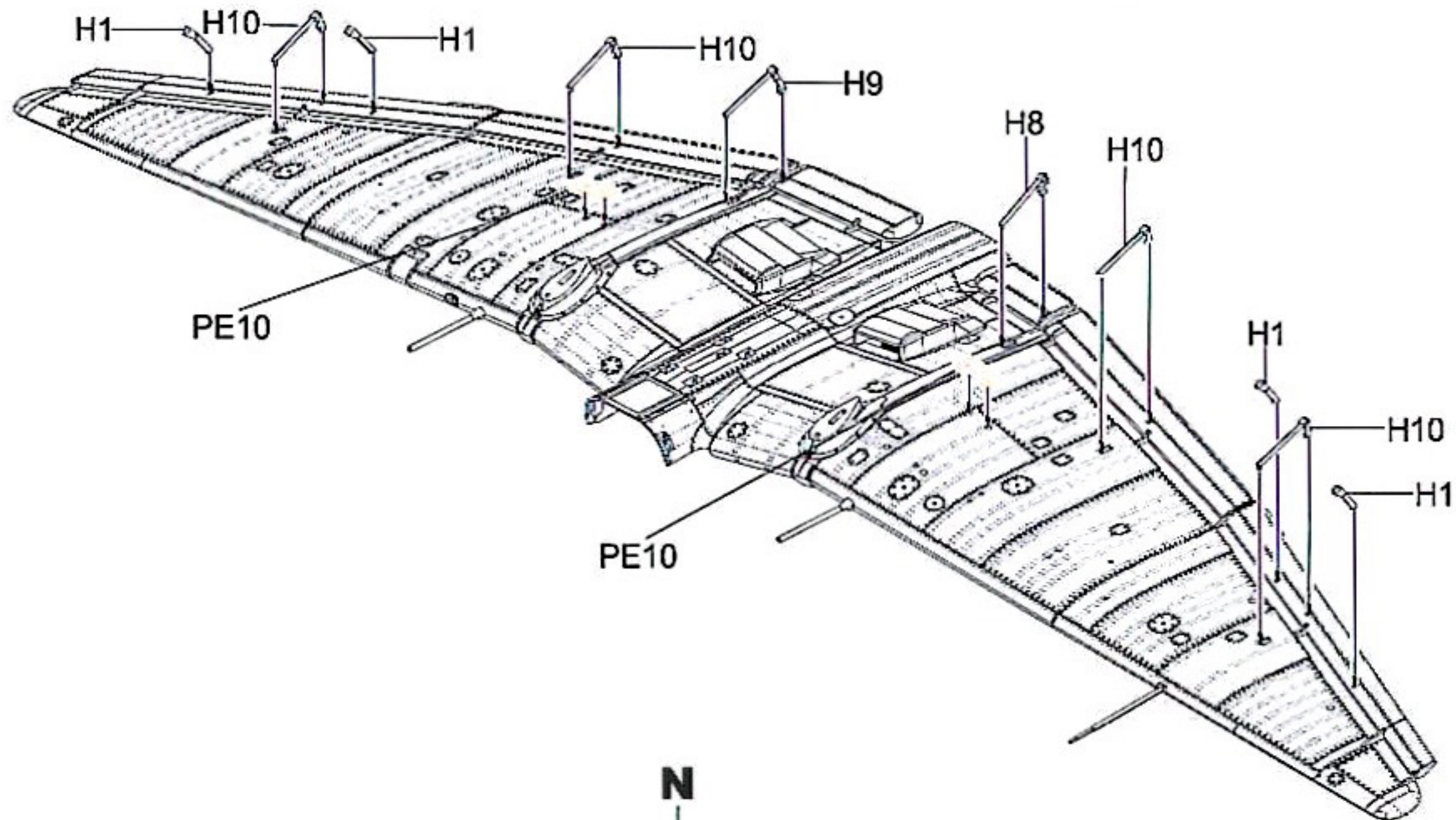
M3
MAKE 20



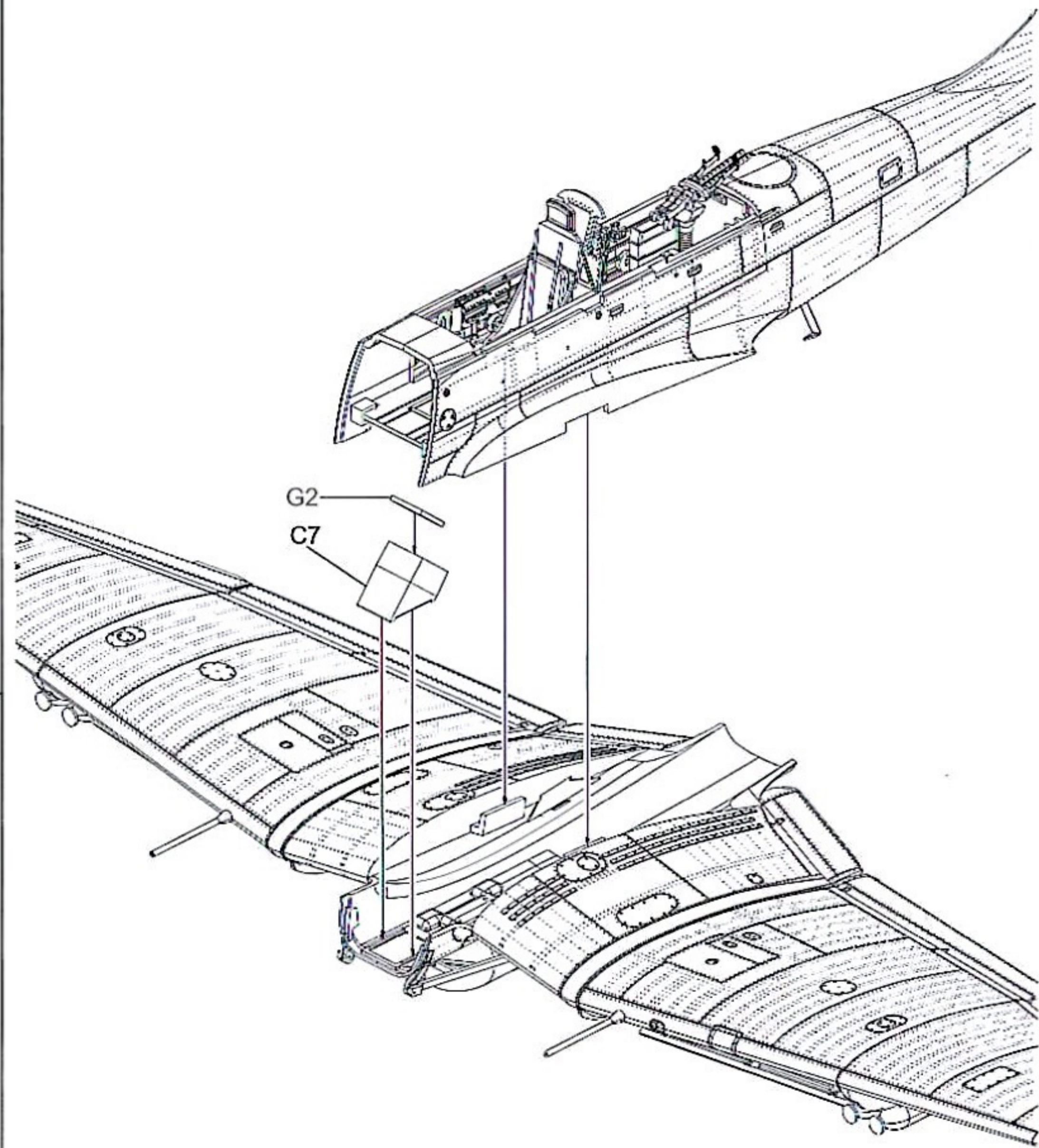
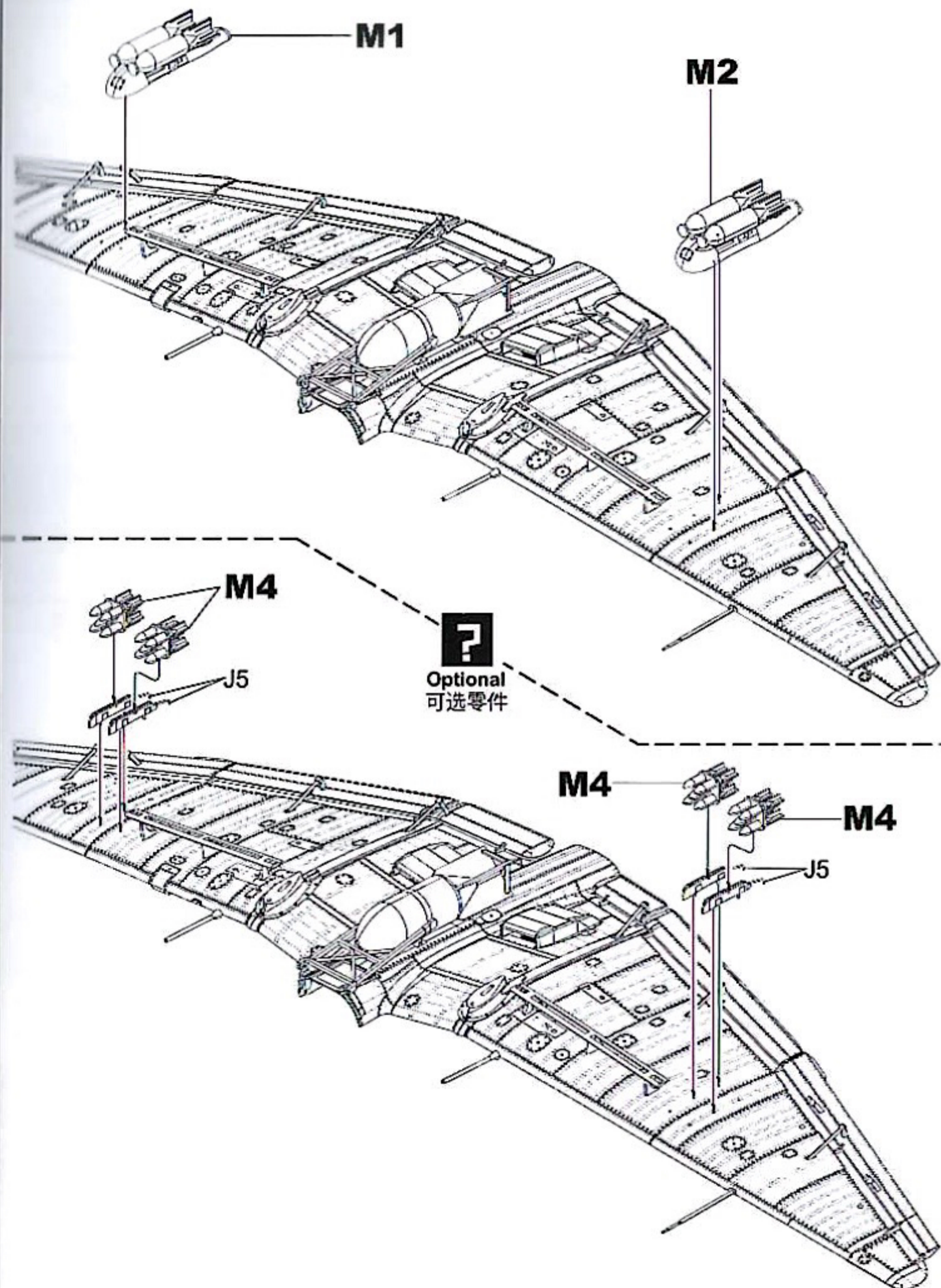
M4
MAKE 4



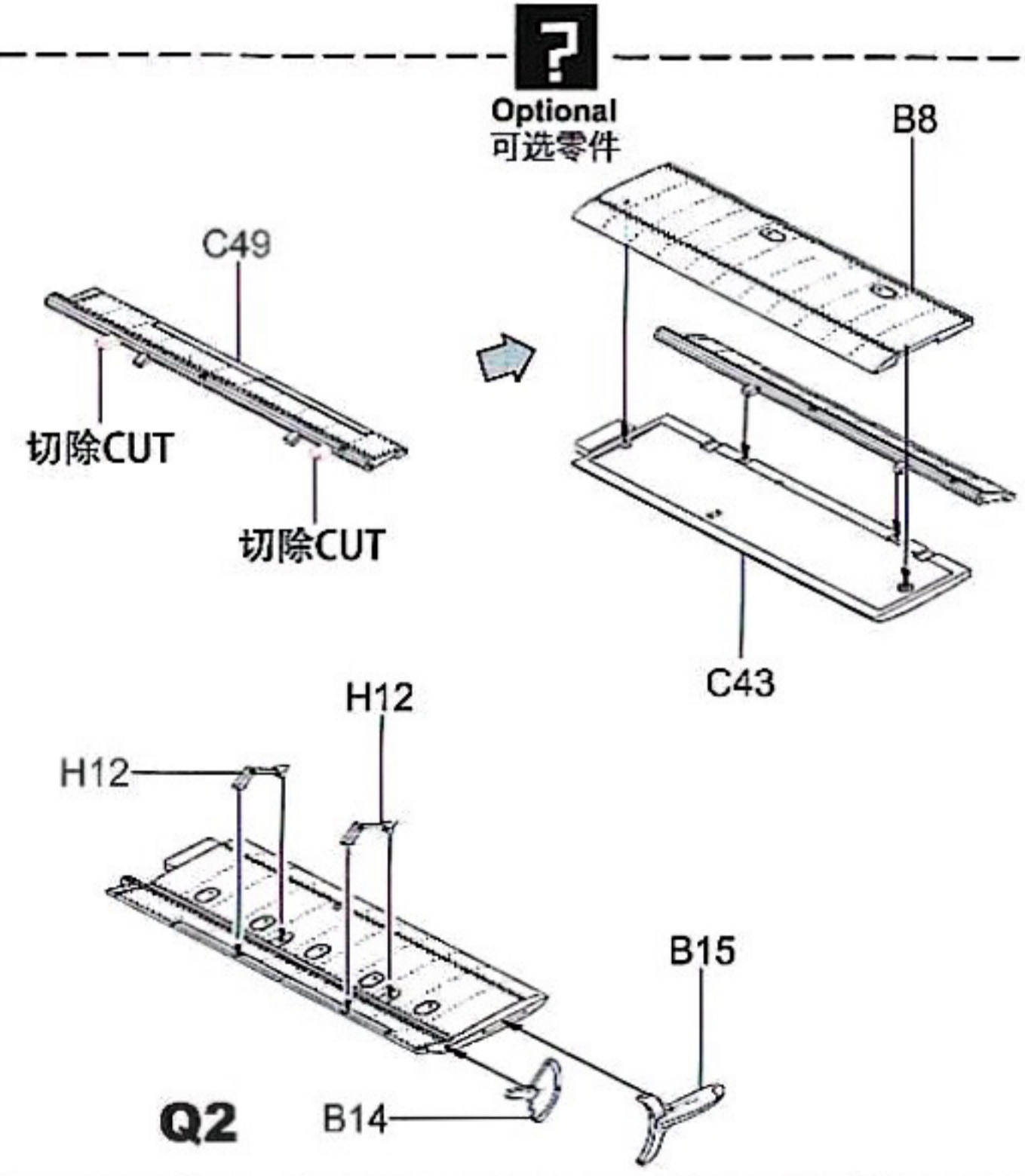
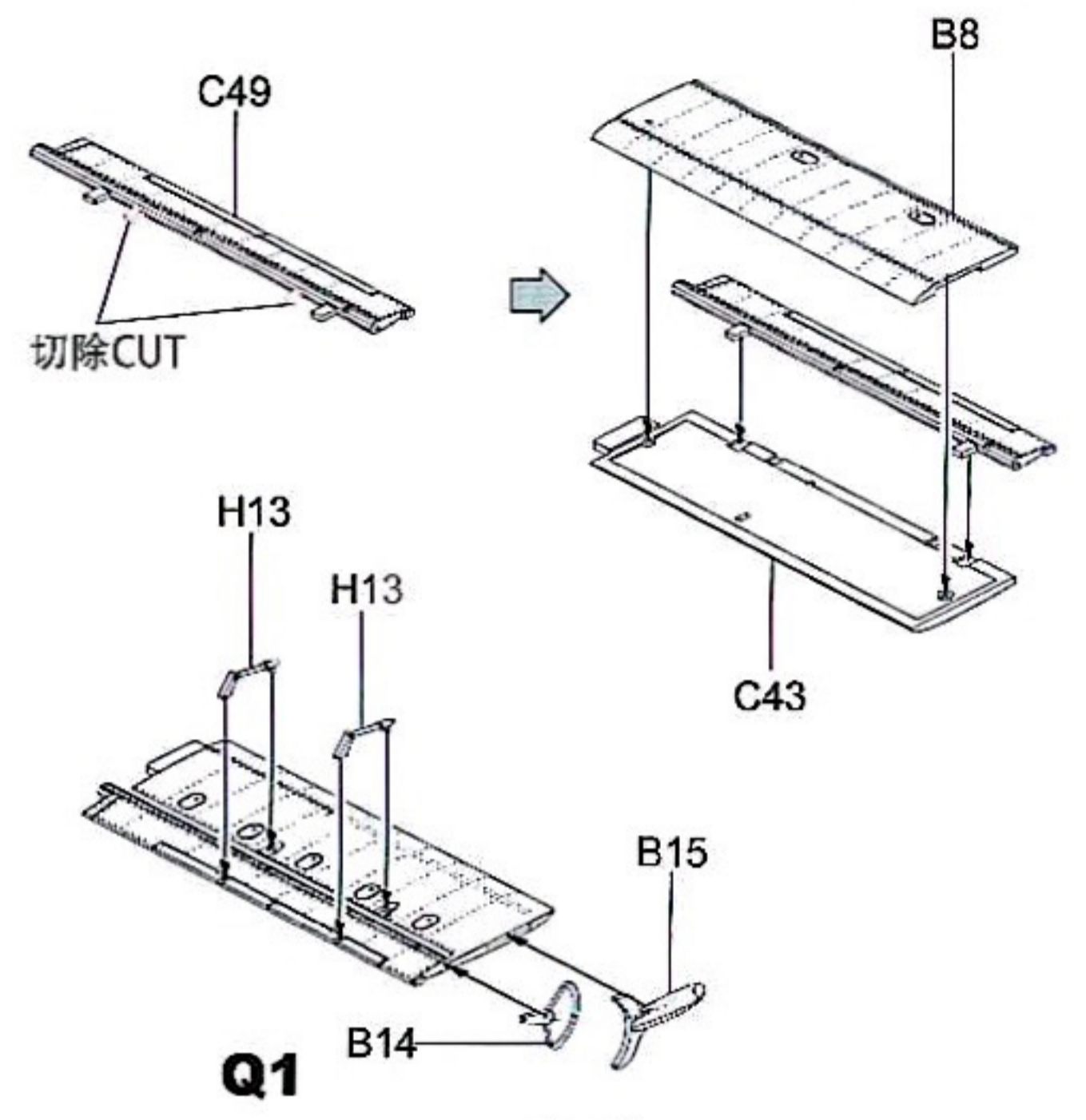
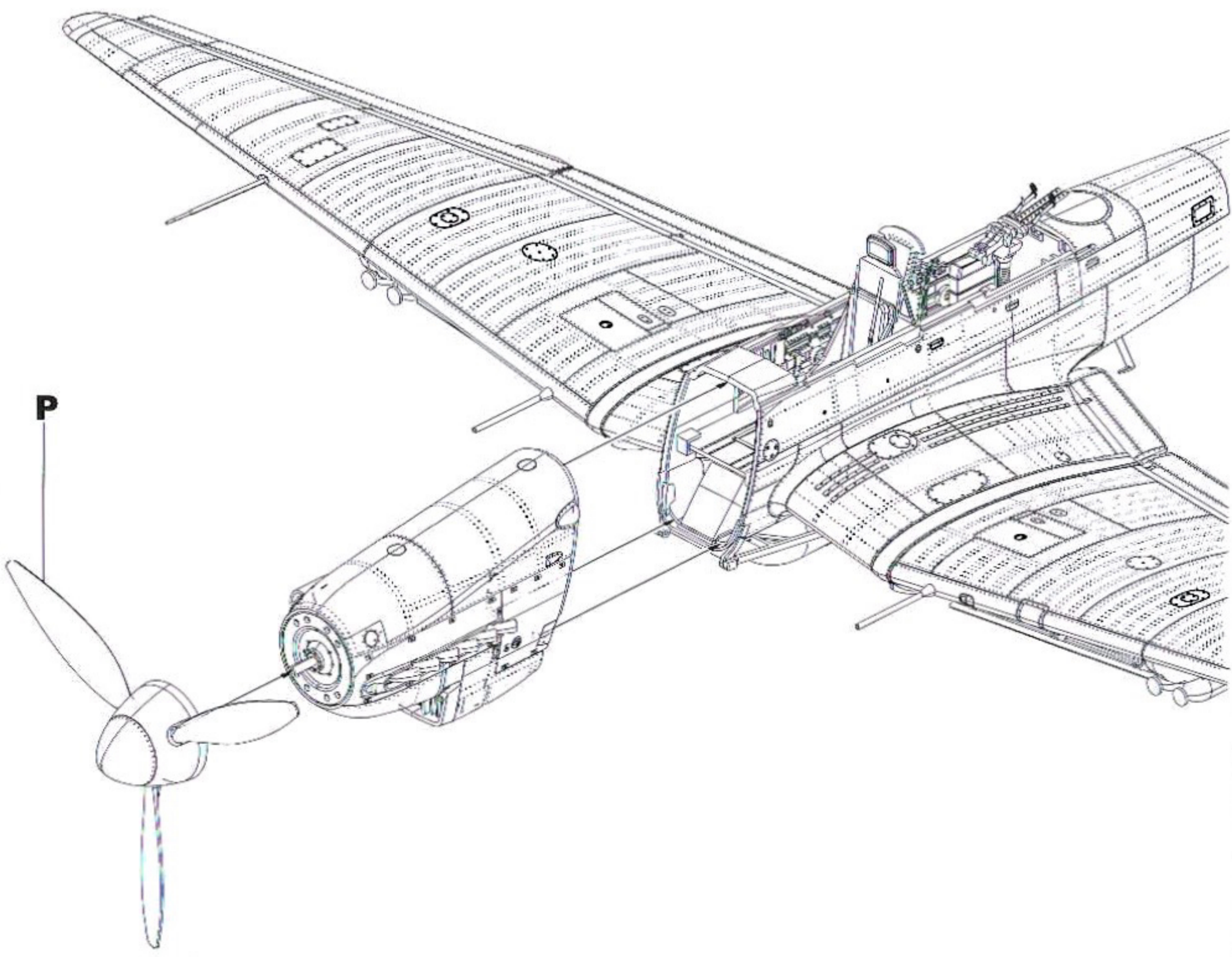
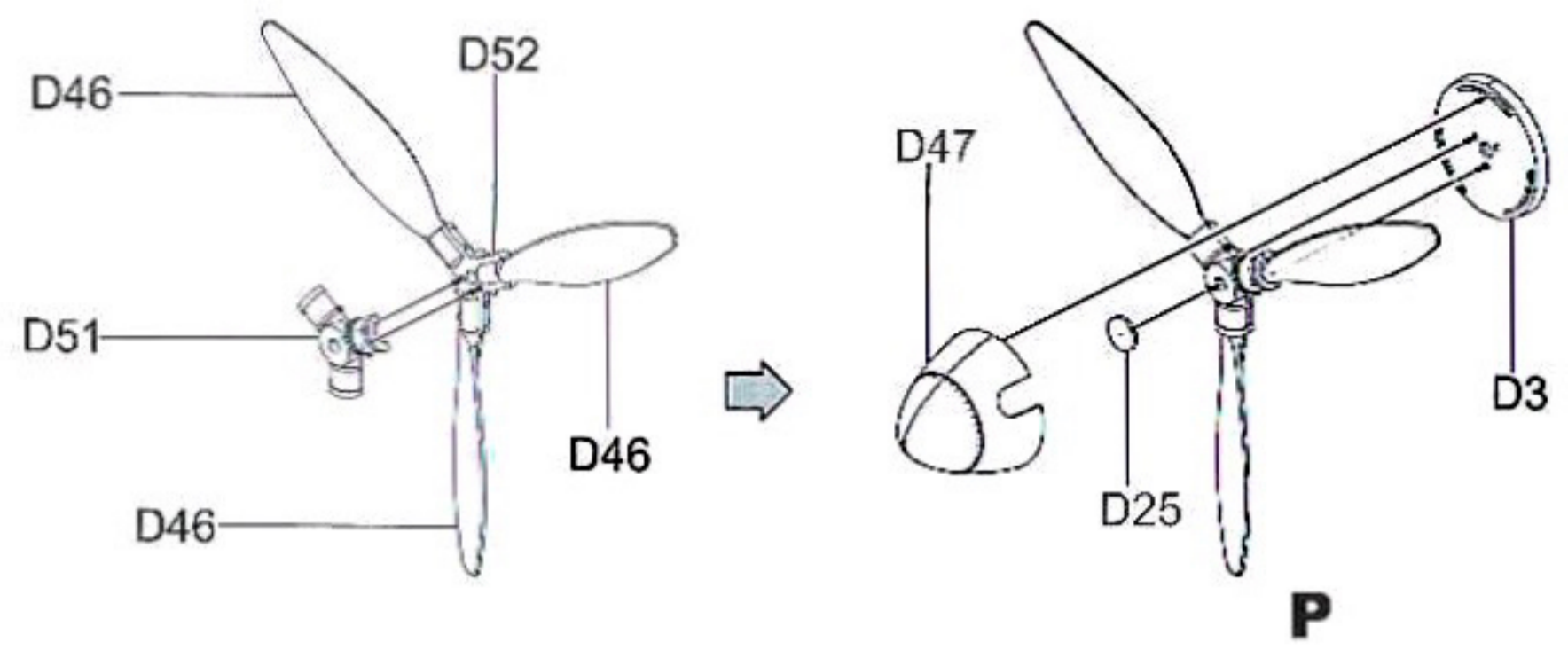
N



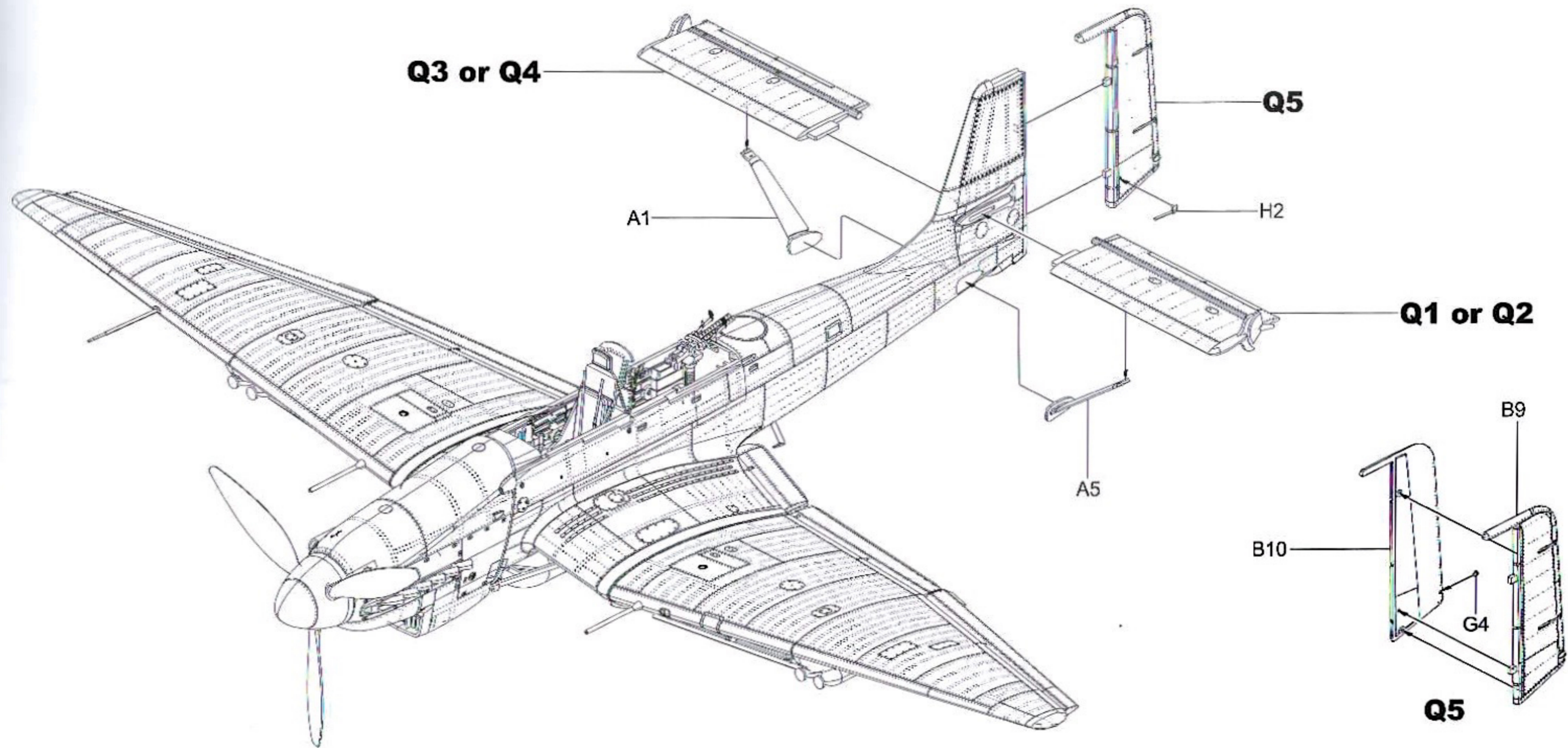
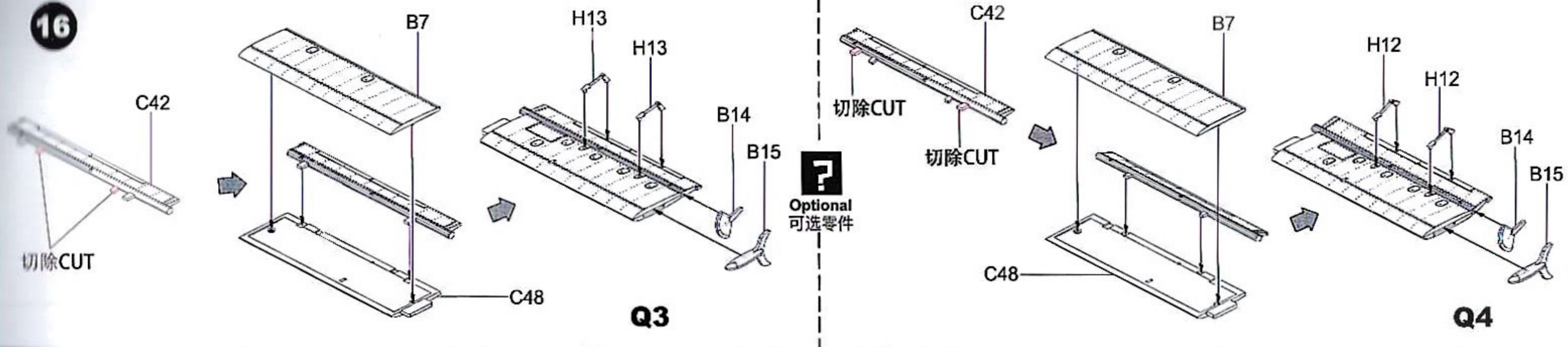
14



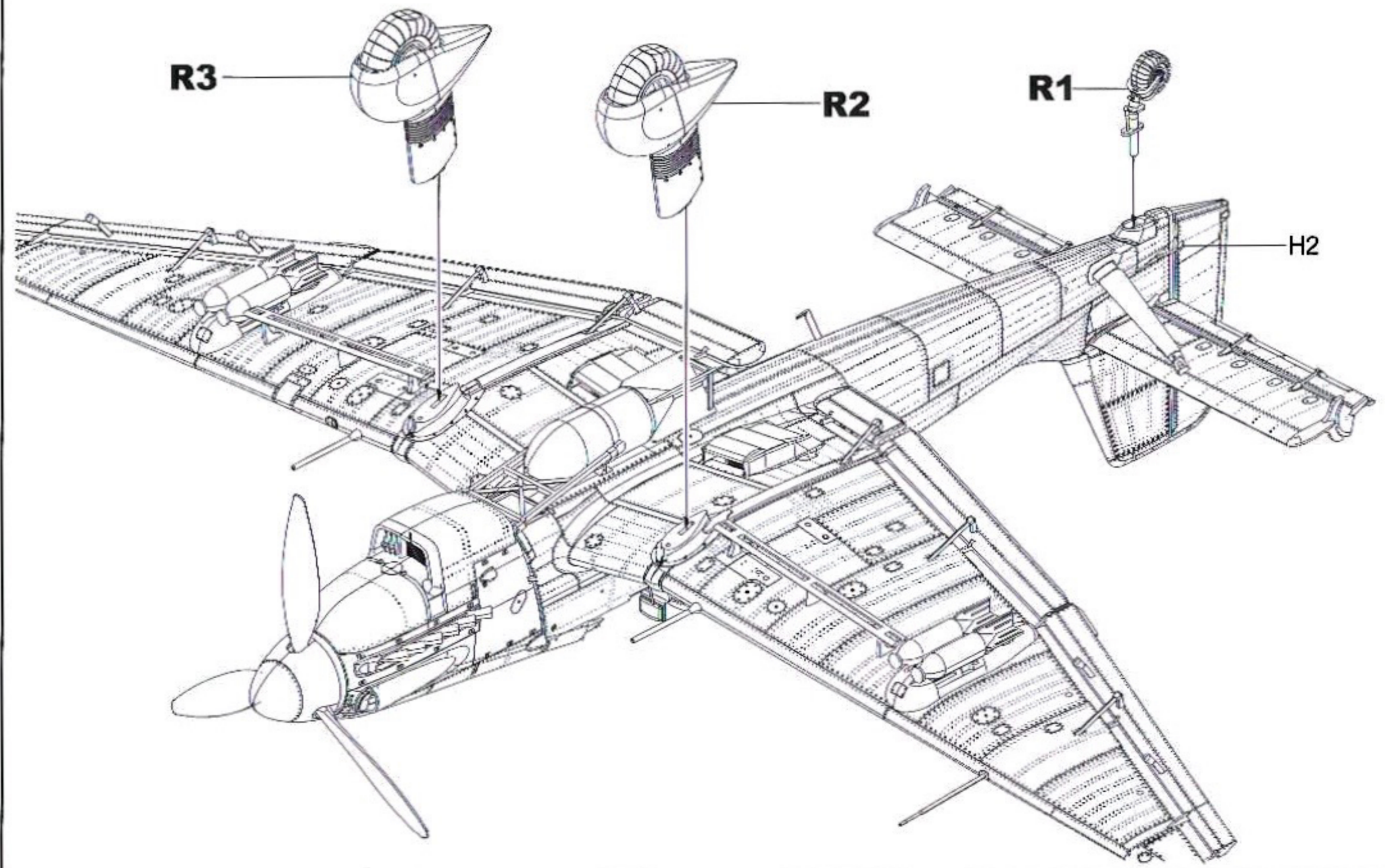
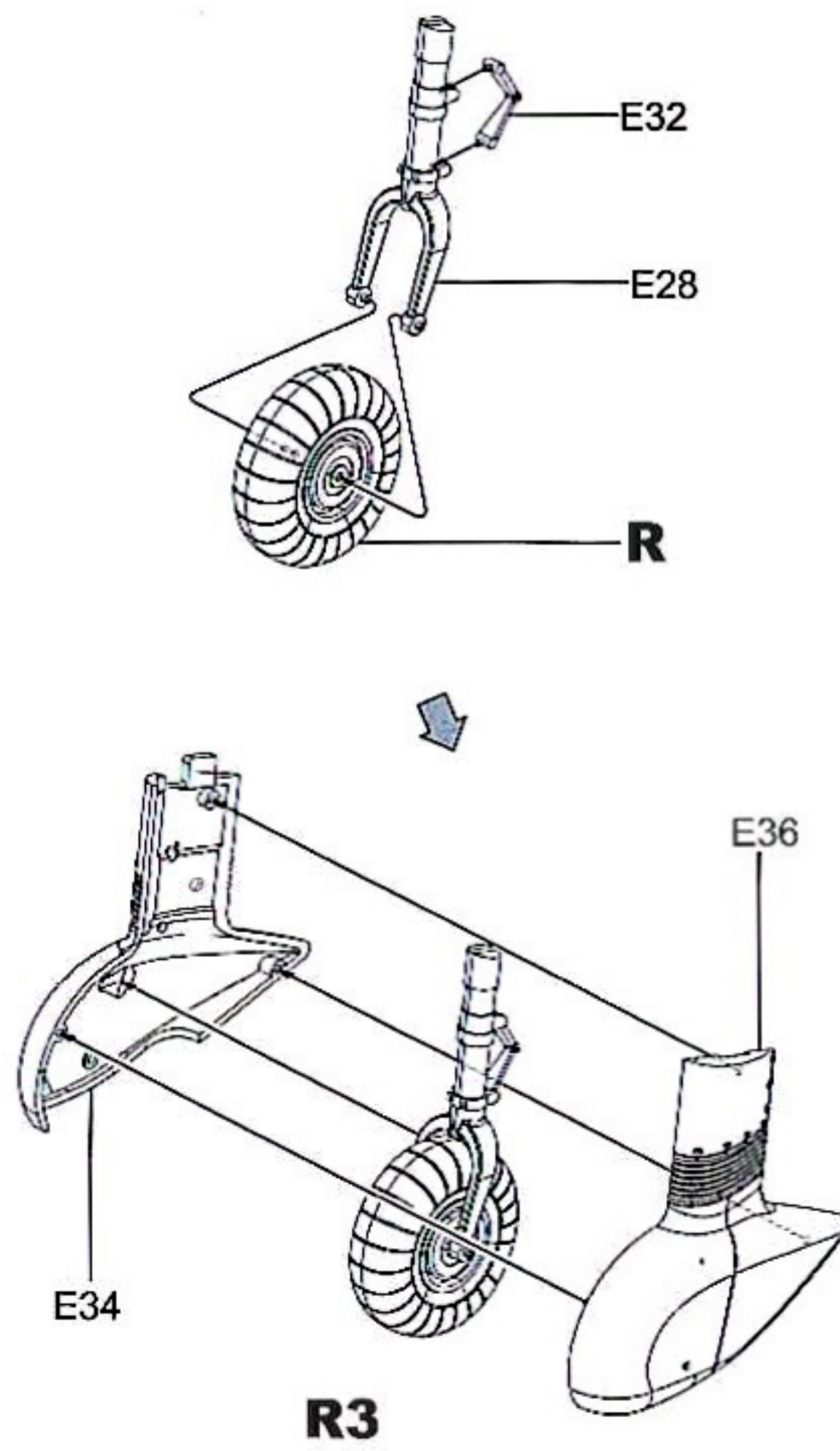
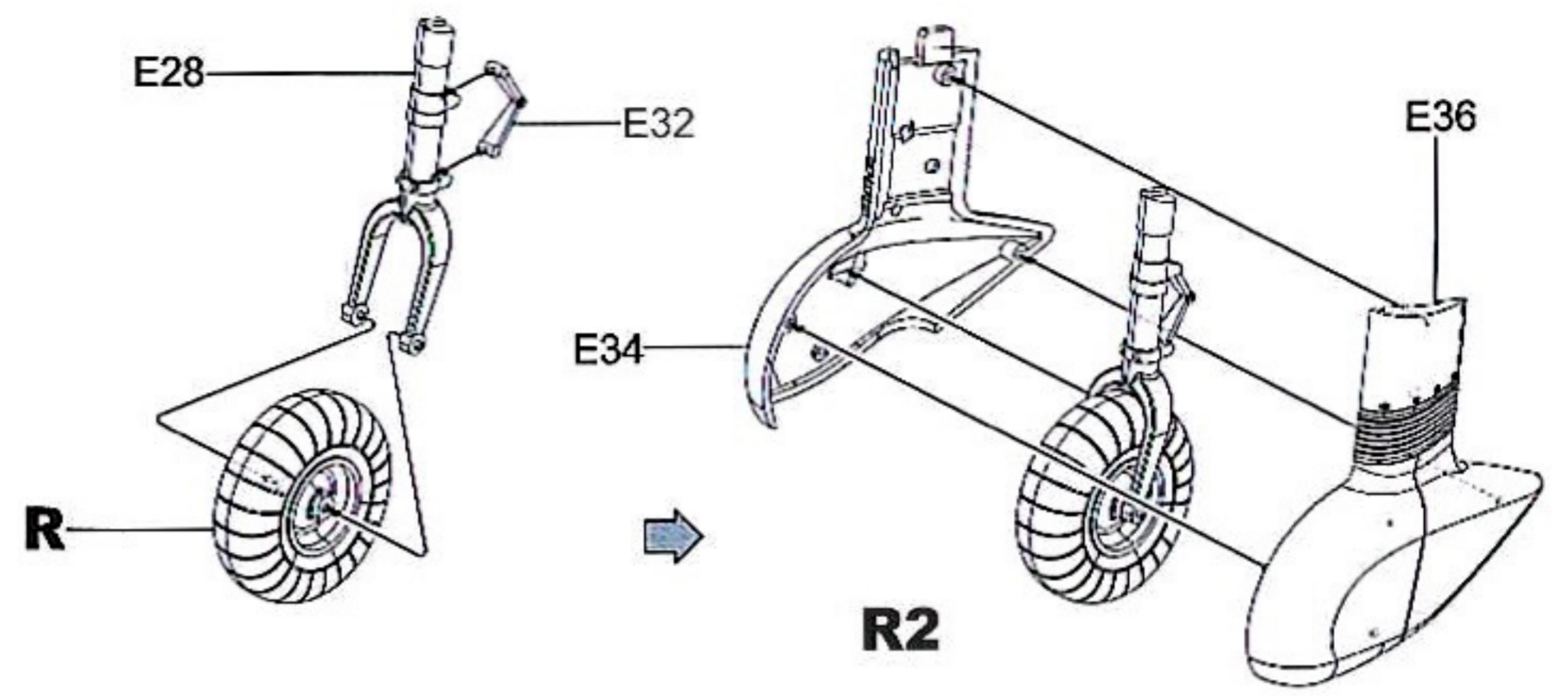
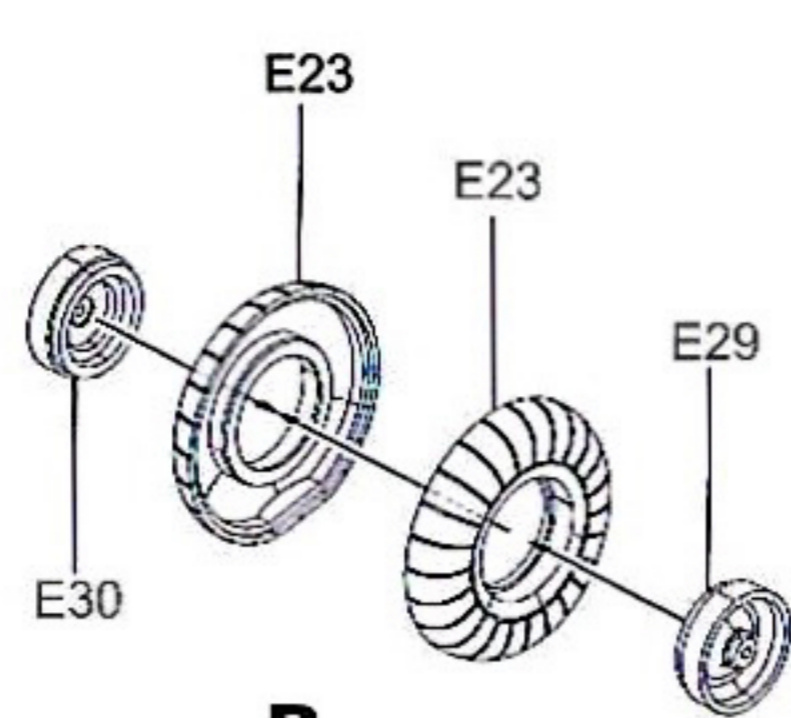
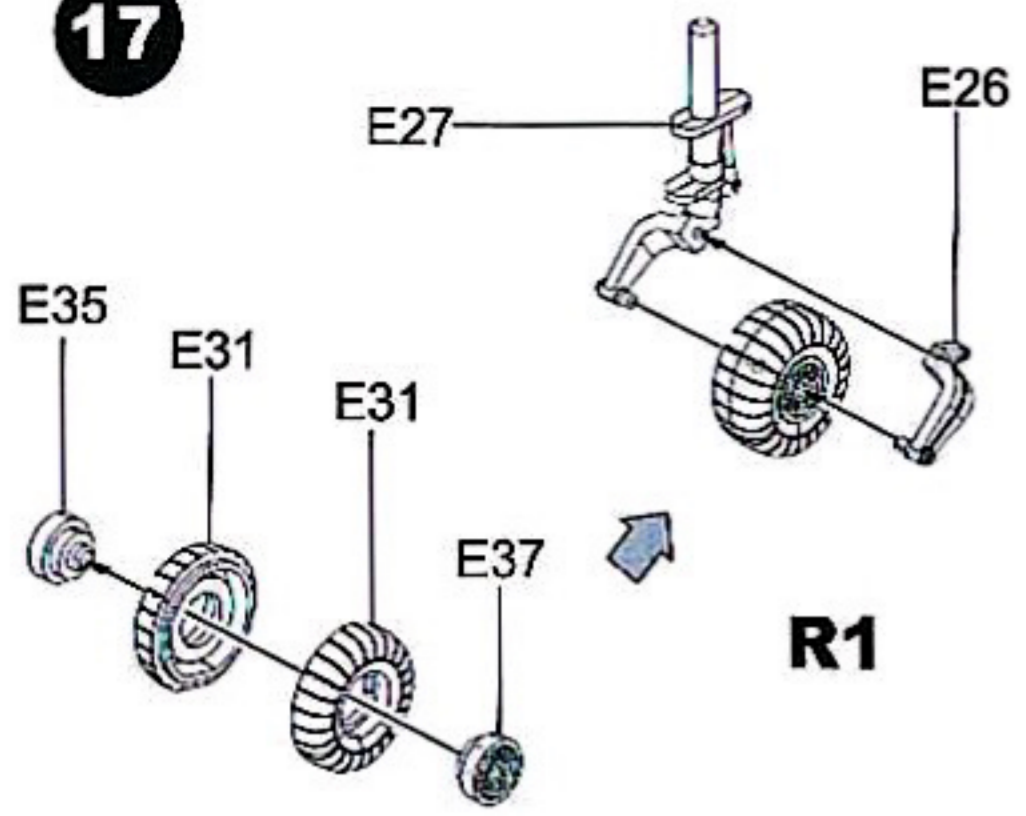
15



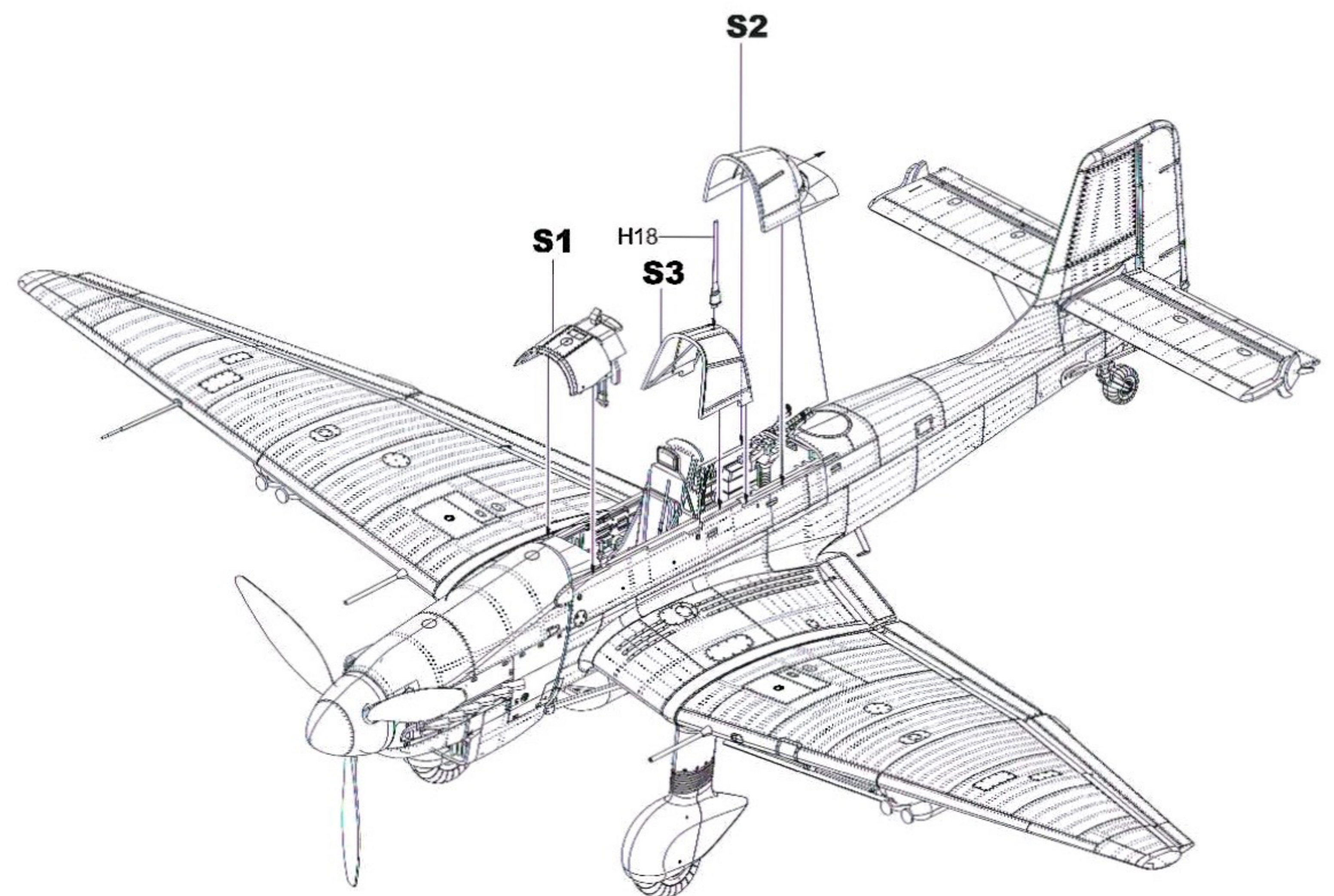
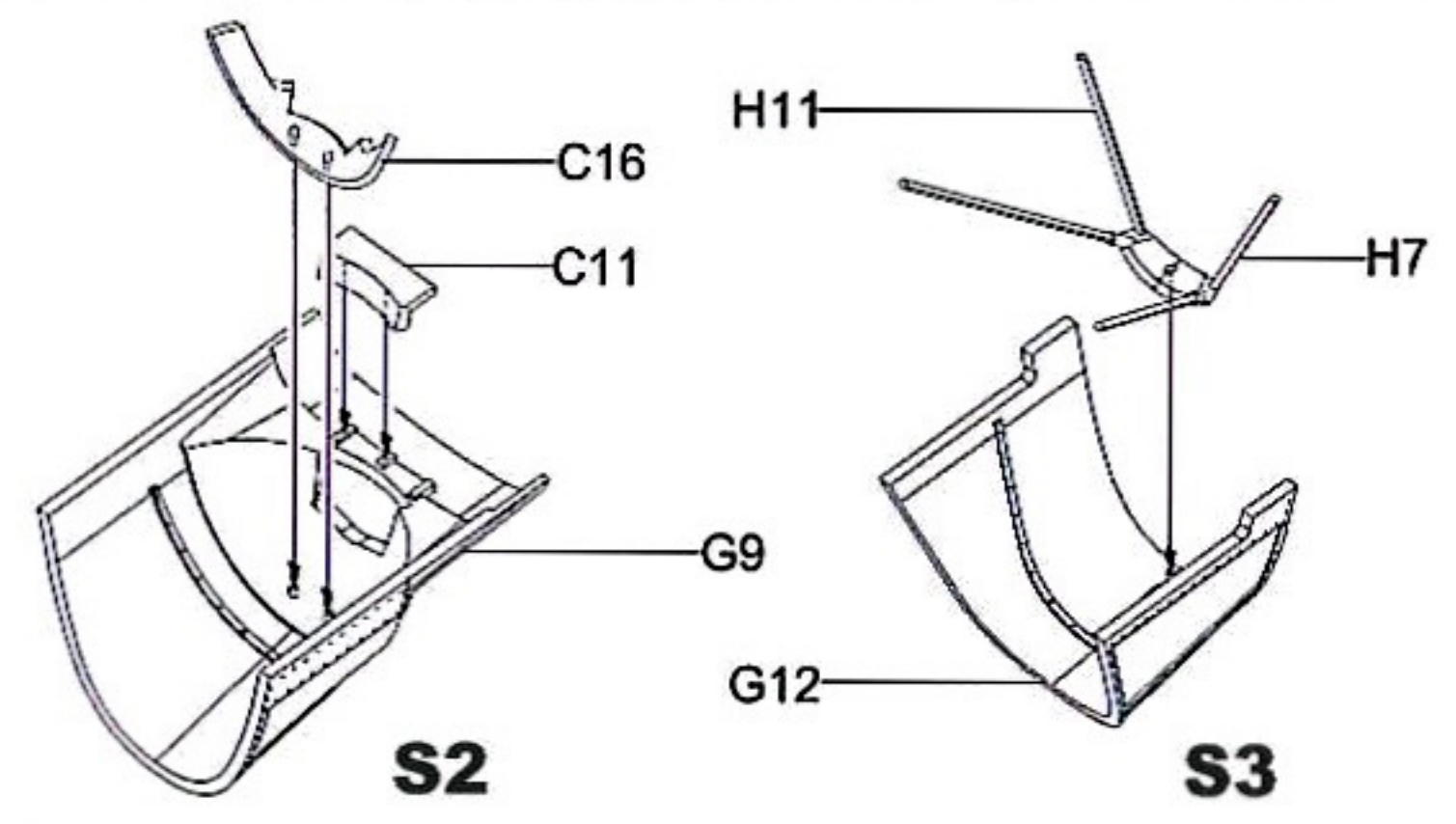
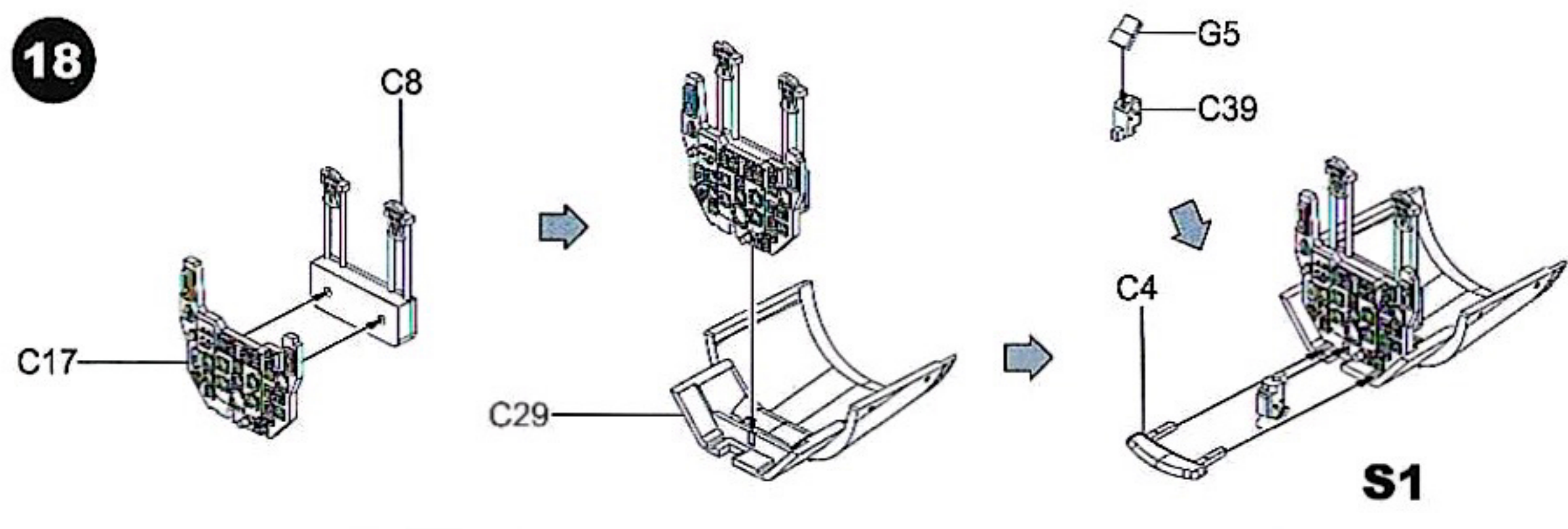
16



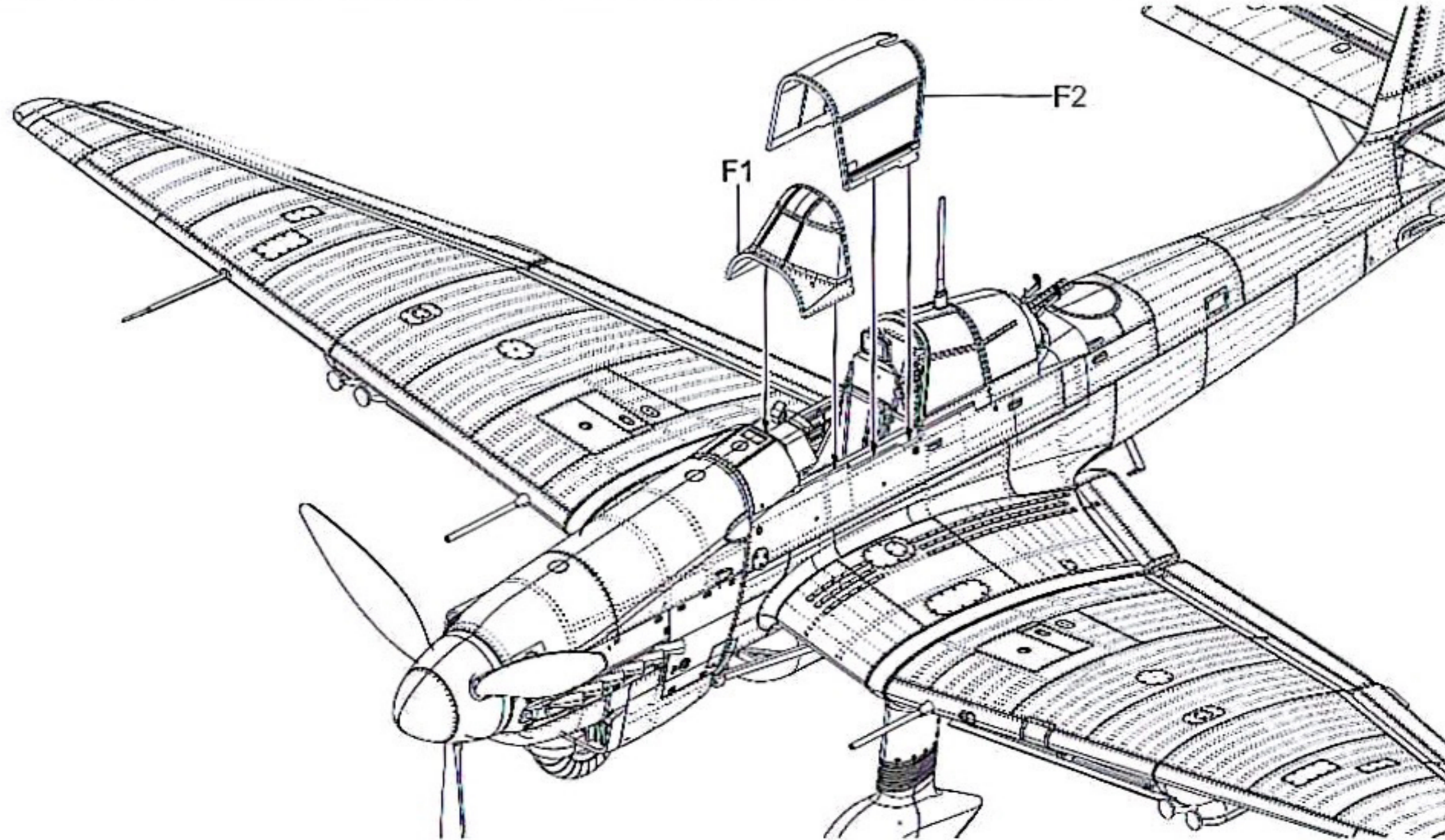
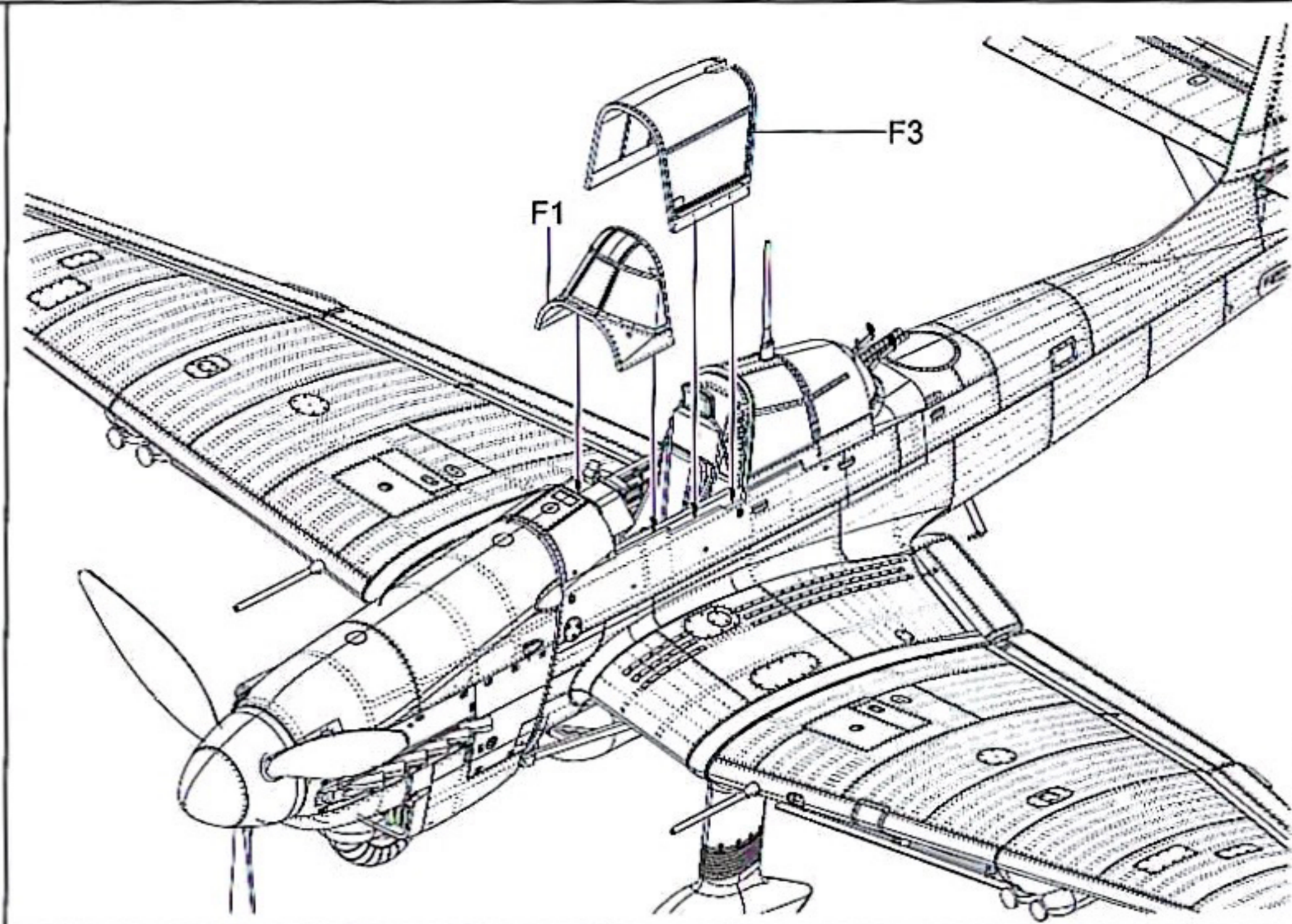
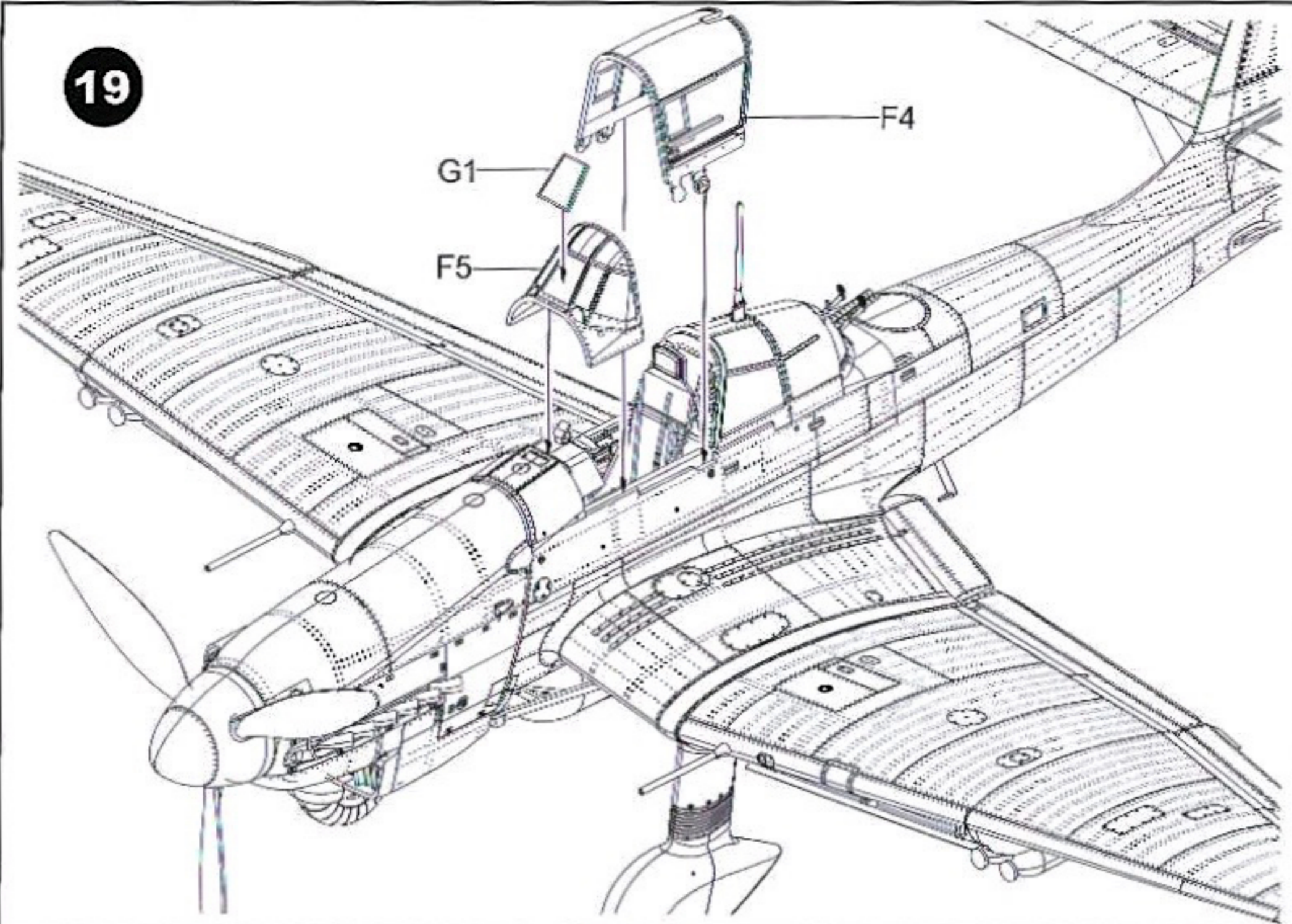
17



18



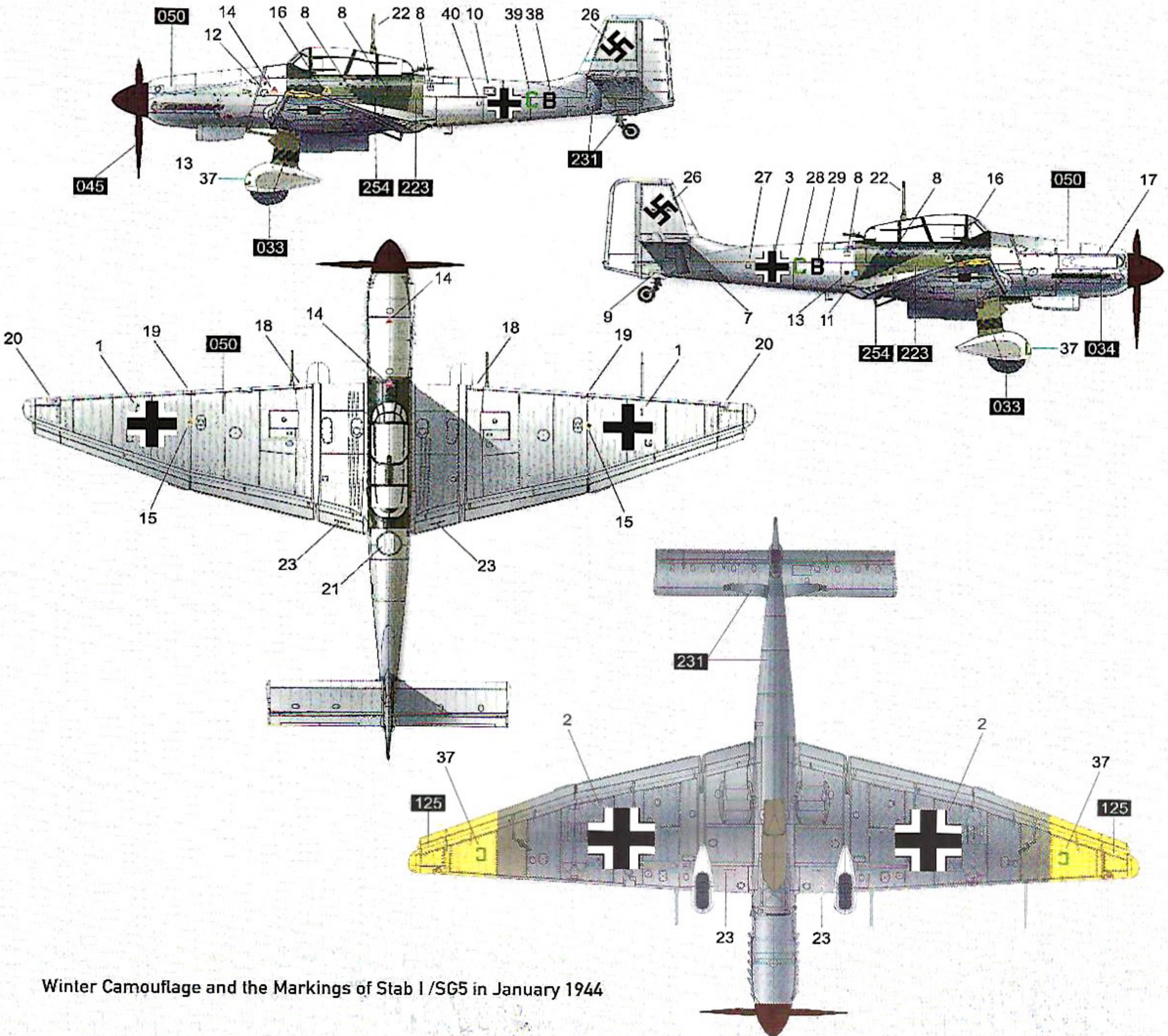
19



PAINTING AND MARKING GUIDE

BORDER MODEL REF: XXXXXX

 A.MIG-0033 Rubber & Tires	 A.MIG-0034 Rust Tracks	 A.MIG-0045 Gun Metal	 A.MIG-0050 Matt White
 A.MIG-0125 RLM 04 GELB Gold Yellow	 A.MIG-0231 RLM 65 Hellblau	 A.MIG-0233 RLM 71 Dunkelgrün	 A.MIG-0254 RLM 75 Grauviolett



Winter Camouflage and the Markings of Stab I /SG5 in January 1944

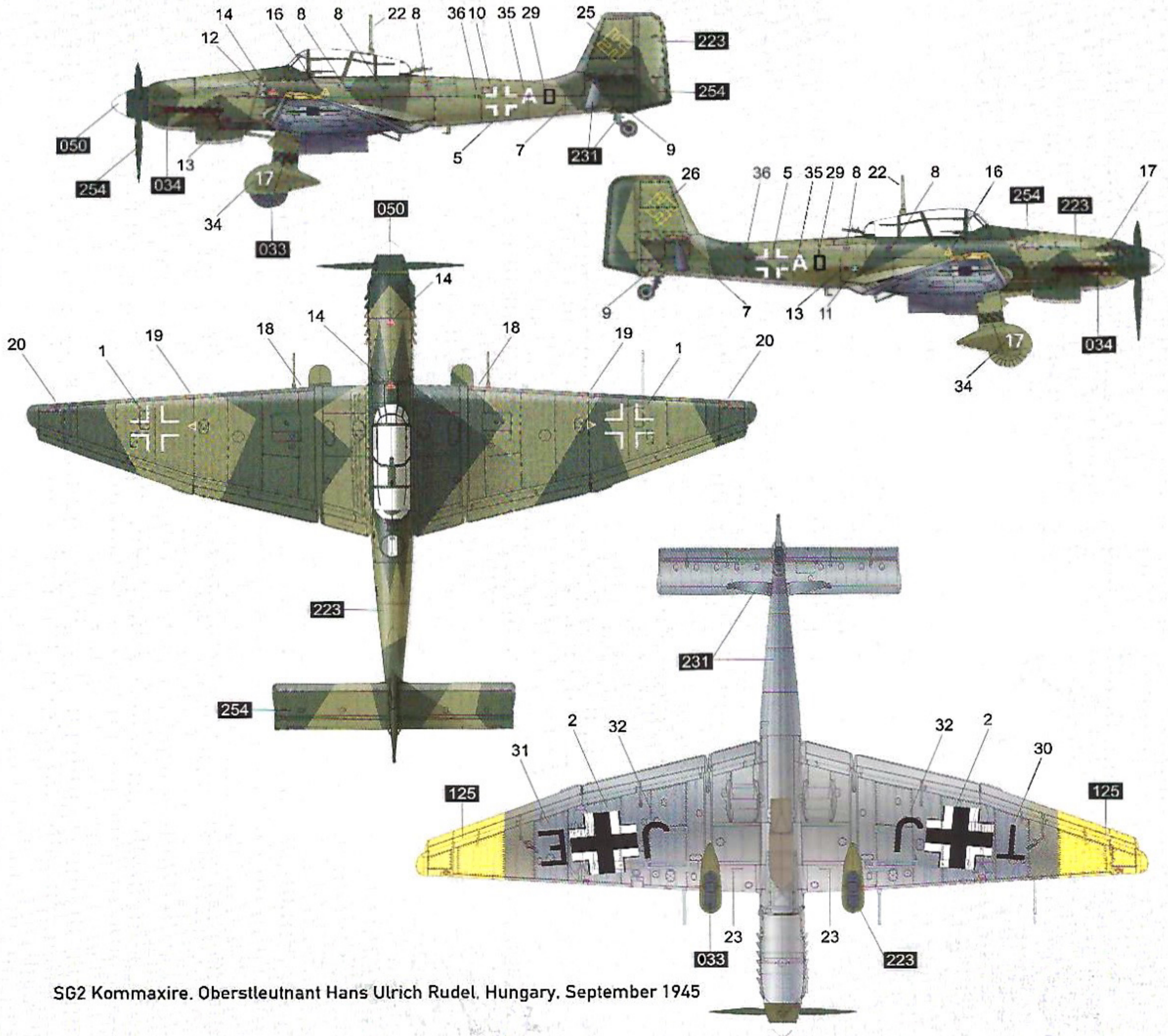
WEATHERING STEPS WITH AMMO PRODUCTS

1 COCKPIT A.MIG-0218 Eriamel Odourless Thinner	3 RLM 65 A.MIG -1613 Panel Line Wash Blue Grey	5 RLM 71 A.MIG -1612 Panel Line Wash Green Brown	7 SHADERS RLM 70 A.MIG -0858 Ash Black Shader	9 RLM 75 A.MIG -3014 Russian Earth
2 PATTERN WASH A.MIG-1008 Dark Wash	4 RLM 70 A.MIG -1618 Panel Line Wash Deep Brown	6 SHADERS RLM 65 A.MIG-0861 Marine Blue Shader	8 SHADERS RLM 71 A.MIG -0866 Dark Green Shader	10 FUEL STAINS A.MIG -1253 Steelbrusher Green

PAINTING AND MARKING GUIDE

BORDER MODEL REF: XXXXXX

 A.MIG-0033 Rubber & Tires	 A.MIG-0034 Rust Tracks	 A.MIG-0045 Gun Metal	 A.MIG-0050 Matt White
 A.MIG-0125 RLM 04 GELB Gold Yellow	 A.MIG-0231 RLM 65 Hellblau	 A.MIG-0233 RLM 71 Dunkelgrün	 A.MIG-0254 RLM 75 Grauviolet



SG2 Kommaxire. Oberstleutnant Hans Ulrich Rudel, Hungary, September 1945

WEATHERING STEPS WITH AMMO PRODUCTS

1 COCKPIT A.MIG-0218 Enamel Odourless Thinner	3 PANEL LINES A.MIG-1613 Panel Line Wash Blue Grey	5 PAINT RLM 71 A.MIG-1612 Panel Line Wash Green Brown	7 SHADERS RLM 71 A.MIG-0858 Ash Black Shader	9 DECALS A.MIG-3014 Russian Earth
2 INTERIOR WASH A.MIG-1008 Dark Wash	4 PANEL LINE A.MIG-1618 Panel Line Wash Deep Brown	6 SHADERS WINGS A.MIG-0861 Marine Blue Shader	8 SHADERS WINGS A.MIG-0866 Dark Green Shader	10 MODEL STAINS A.MIG-1253 StreakingbrusherGrime

JU87 D5

