

1/350 SCALE

ITEM NO.:05328



HMS Dreadnought 1907

英国皇家海军“无畏”号战列舰1907年

READ BEFORE ASSEMBLY:

- This kit is not recommended for inexperienced modelers or for children under 14 years of age
- Study and understand these instructions thoroughly before beginning assembly
- When needed, remove photo-etch parts carefully using a modeling knife or photo etch sprue cutter, being careful not to damage or lose small parts.
- Take extra care in handling photo etch parts in order to avoid injury
- Apply instant cement sparingly to photo etch parts where instructed

- Tools recommended(not included in kit):Plastic and instant cements,sprue cutters,long nose pliers,modeling knife, small files, tweezers, pin vise & scissors. Soft cloth and sandpaper will also assist in construction
- Glue and paint are not included in the kit. Use plastic cement and hobby paints only. Color guide for purchasing paint is included in the kit.
- Keep out of reach of children. They must not be allowed to ingest small parts or handle plastic bags in any way.

装配之前仔细阅读

- 小心用模型锉刀锉平所有零件表面的注射浇口。
- 小心用刀片切下蚀刻片零件，不要遗失小零件。
- 用强力快干胶水粘合蚀刻片零件和金属轴。过量的快干胶水使用可能导致可动零件会粘住，小心涂胶。
- 取蚀刻片时应特别注意安全，防止利边划伤手指。
- 某些零件表面需贴水上贴纸，请选择在装配的同时进行。
- 推荐模型工具(自备)：胶水，水口剪刀，长咀钳，刀片，锉刀，镊子钳，钻，剪刀，瞬间快干胶。
- 软布同砂纸同时也应该是必备工具。
- 请使用塑料胶水和油漆，模型内不含。
- 谨防小孩吮吸塑料零件，或者将塑料袋套在头上，制作时应将套材远离小孩接触。
- 本产品不适合14岁以下没有经验的模型爱好者。

水贴纸的使用:

1. 从水贴上剪下印花;
2. 将印花放入温水中浸10秒, 然后放在干净布上。
3. 拿着印花纸板将印花移到模型上;
4. 手指蘸水将印花移到适当的位置;
5. 用软布轻压印花直至水干, 气泡消失。

DECAL APPLICATION:

1. Cut decals from sheet as needed
2. Dip the decal in warm water for about 10 seconds and then place on soft clean cloth.
3. Hold the decal backing sheet edge and gently slide the decal onto the model in its proper position.

4. While still wet, decal can be adjusted for better fit on model by dampening it gently with your finger.
5. When placed in the proper position, gently press decal down with a soft cloth until excess water and air bubbles are gone.
6. Allow decal to dry completely before handling model



使用强力胶

Cyanoacrylate glue



配重

Weight



钻孔

Make hole



切除

Cut / Remove



贴纸
Decal



锉平
File / Sand



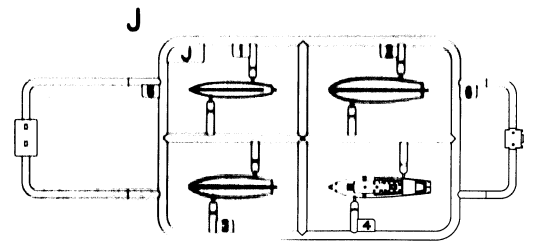
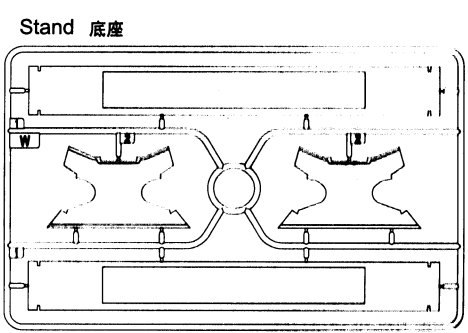
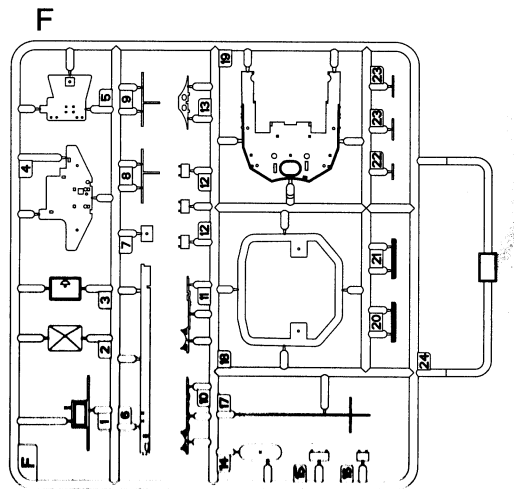
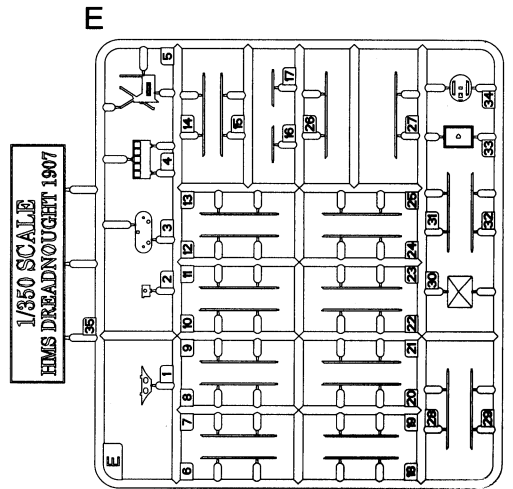
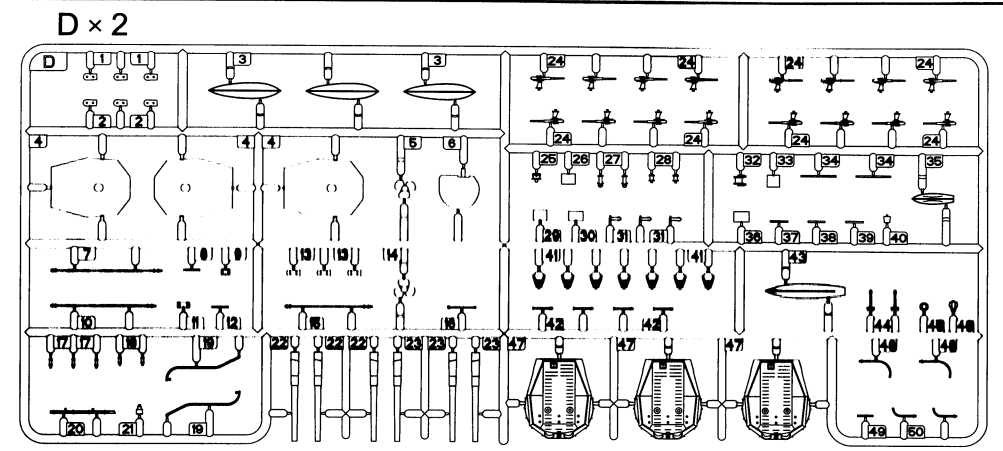
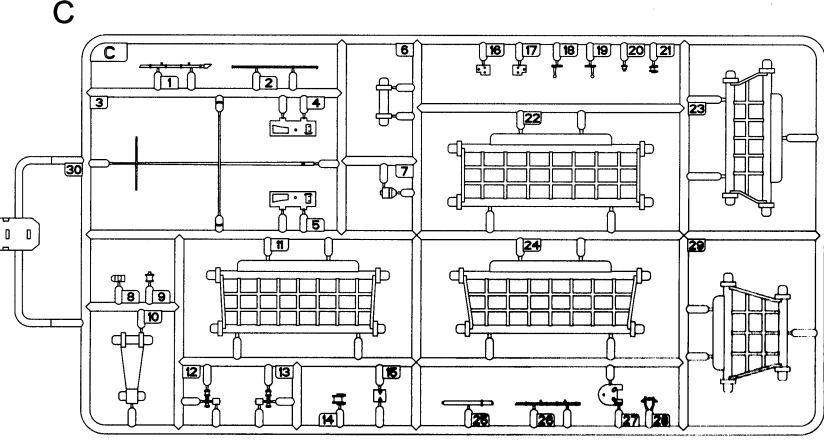
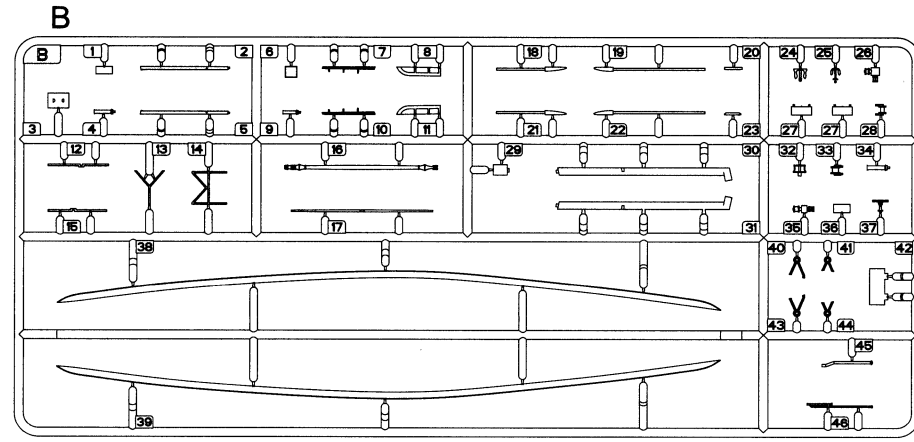
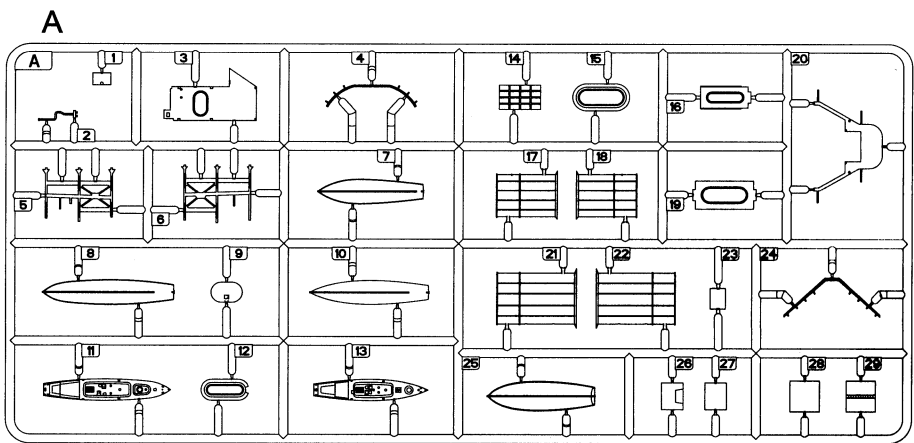
选择
Option

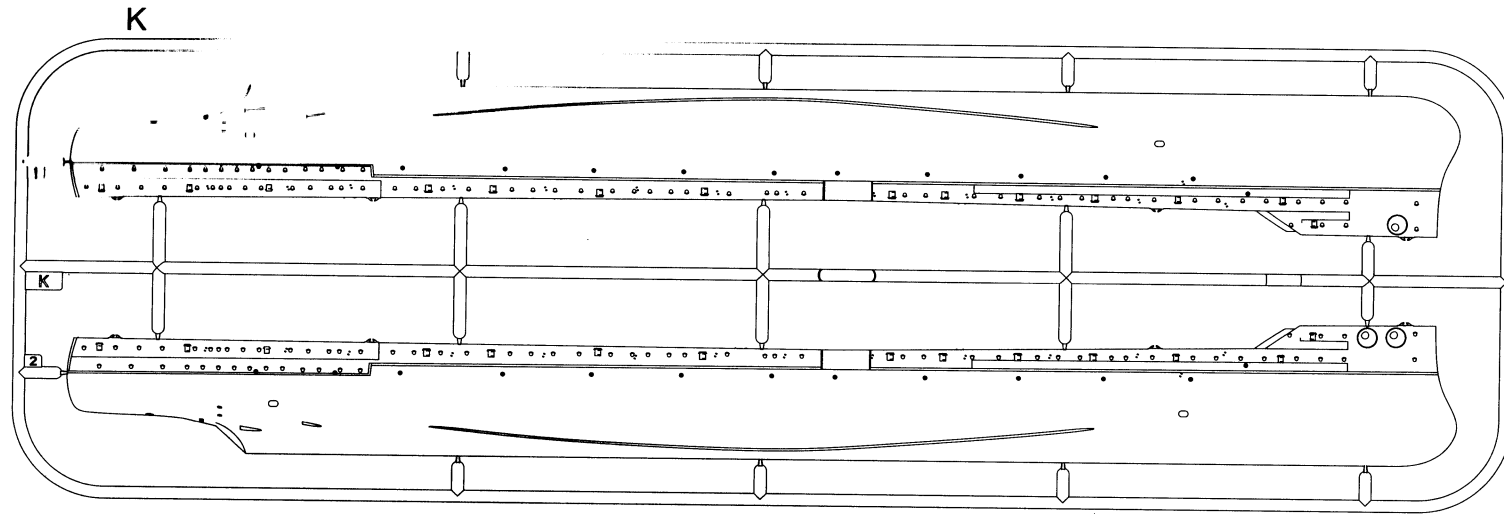


不涂胶水
No cement



弯曲
Bend

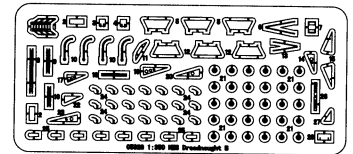




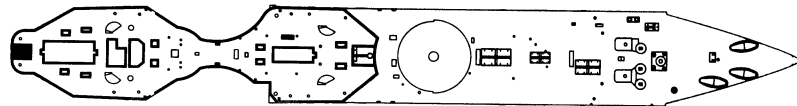
Chain 链条



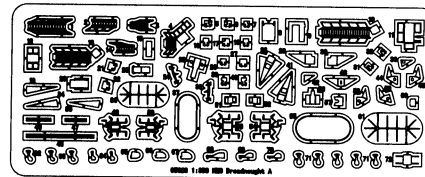
《蚀刻片》PE-B × 2



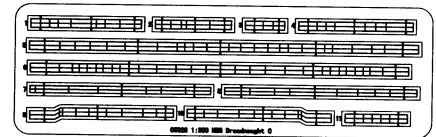
Super deck (L版)



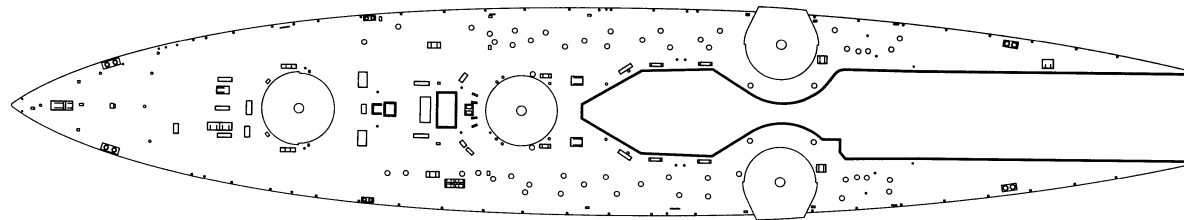
《蚀刻片》PE-A



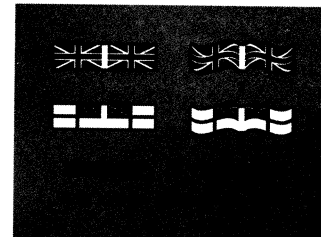
《蚀刻片》PE-C



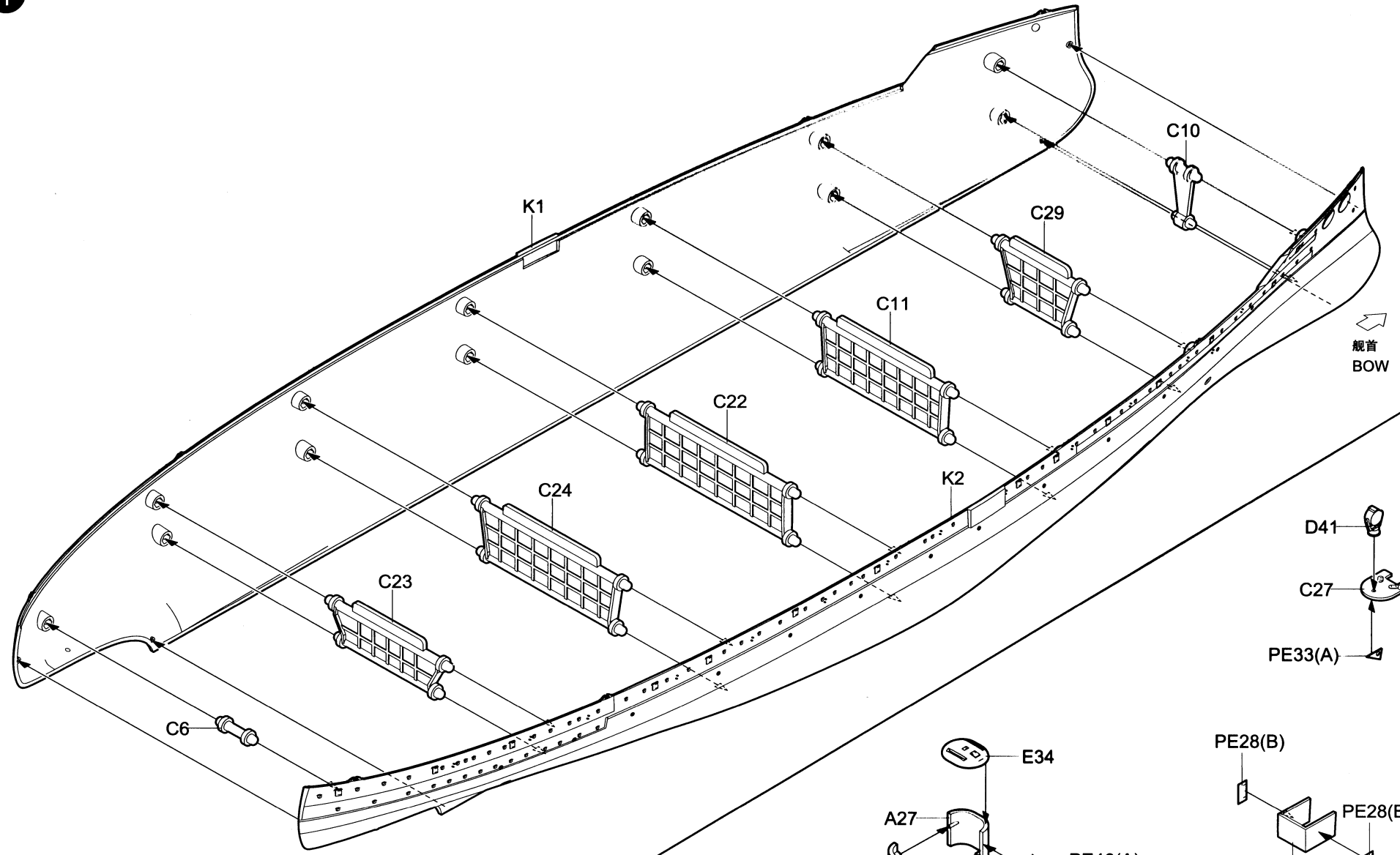
Sub deck (M版)



《水贴》Decal



1

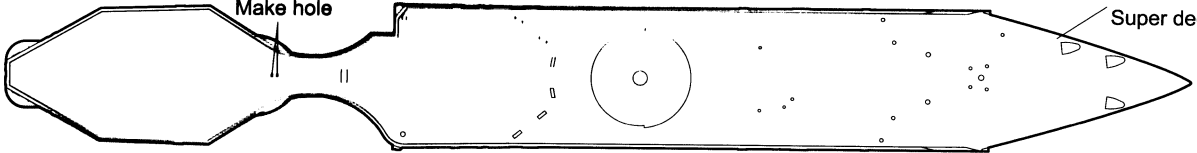


舰首
BOW

2

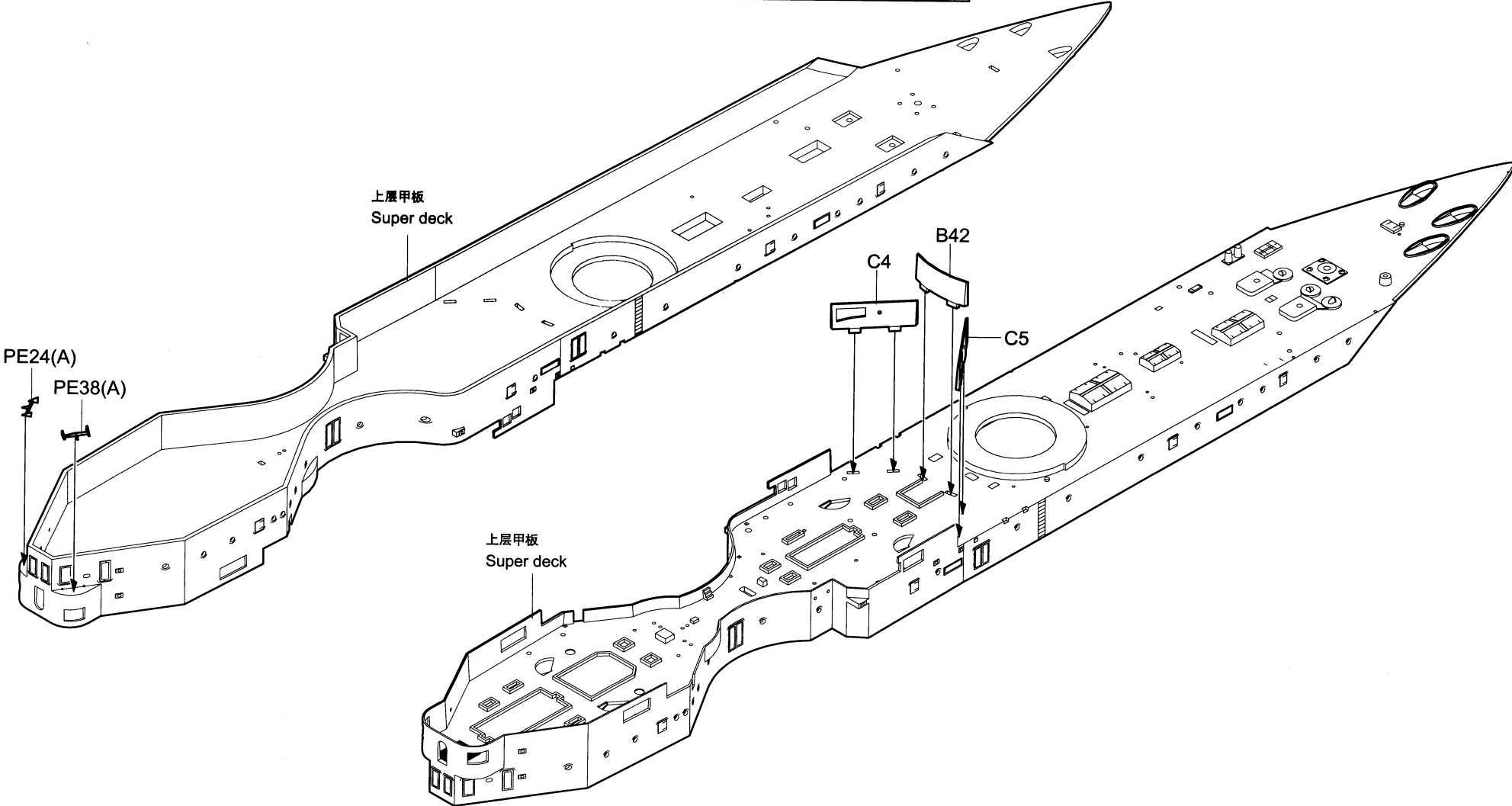
3

Ⓜ
钻孔
Make hole



4

上层甲板
Super deck



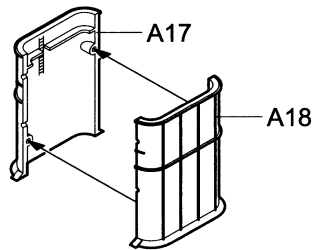
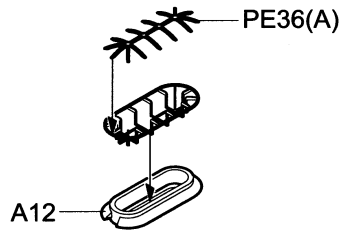
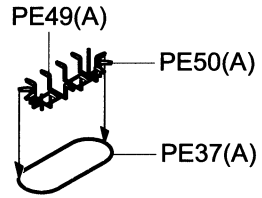
上层甲板
Super deck

PE24(A)
PE38(A)

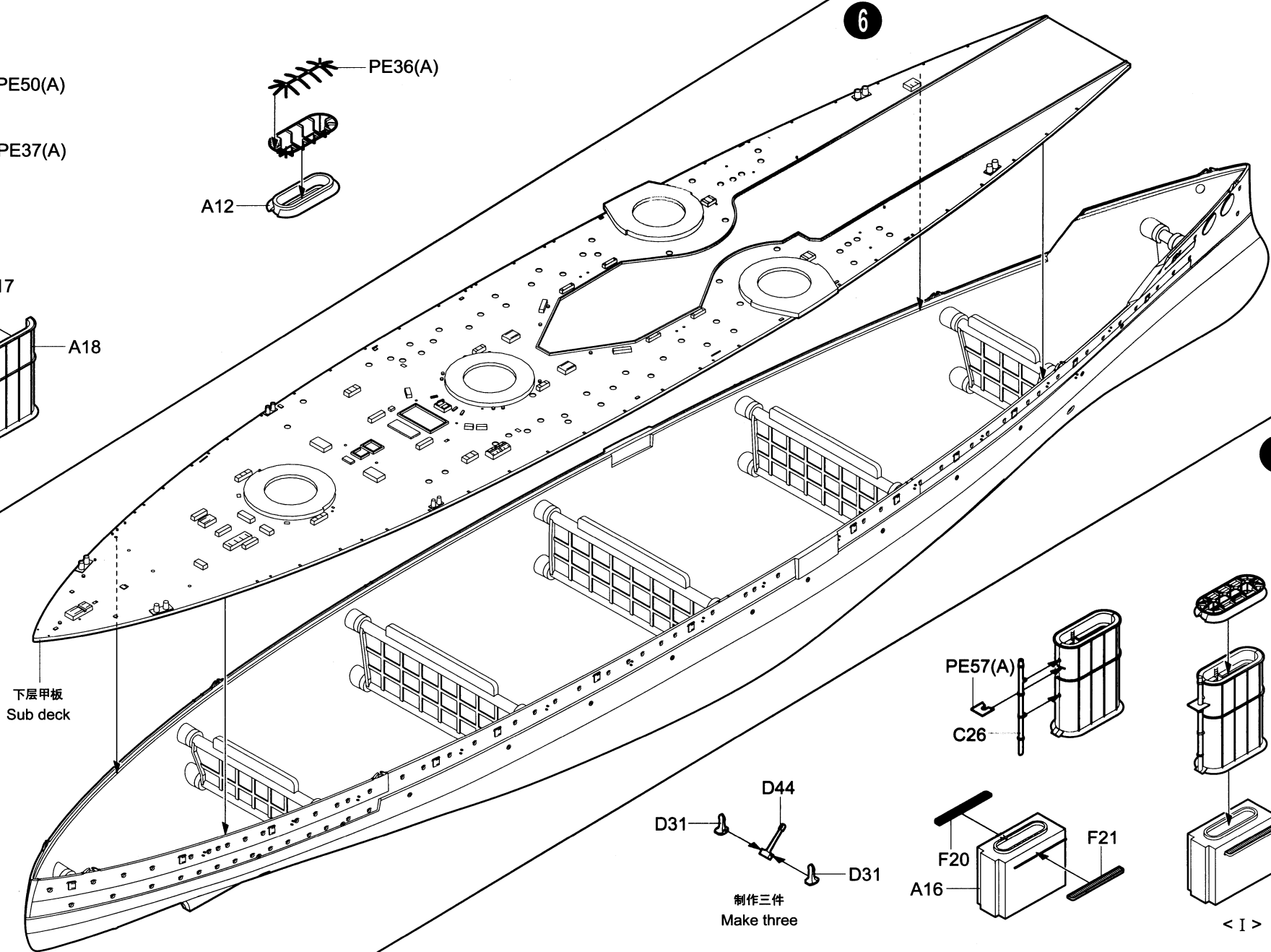
C4
B42
C5

上层甲板
Super deck

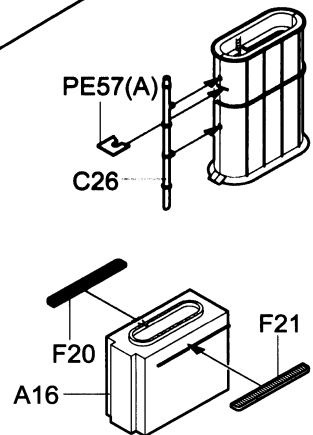
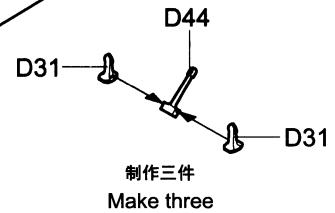
5



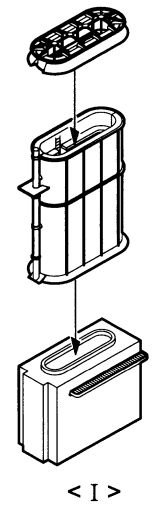
6



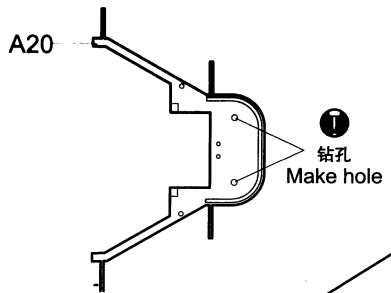
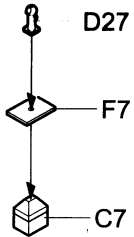
下层甲板
Sub deck



7



8



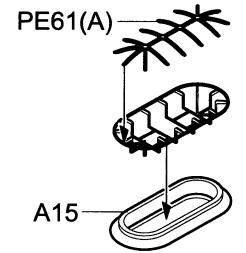
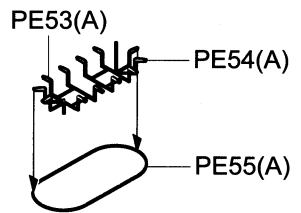
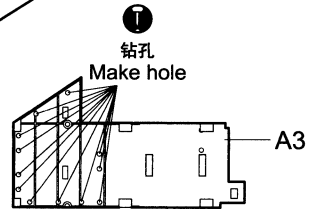
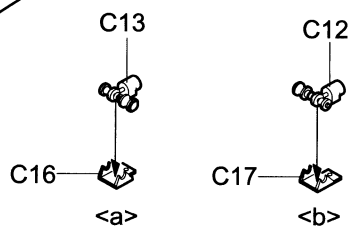
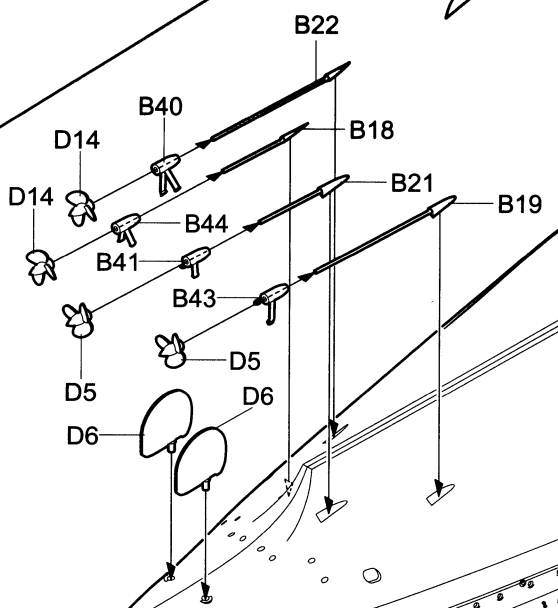
9

B38

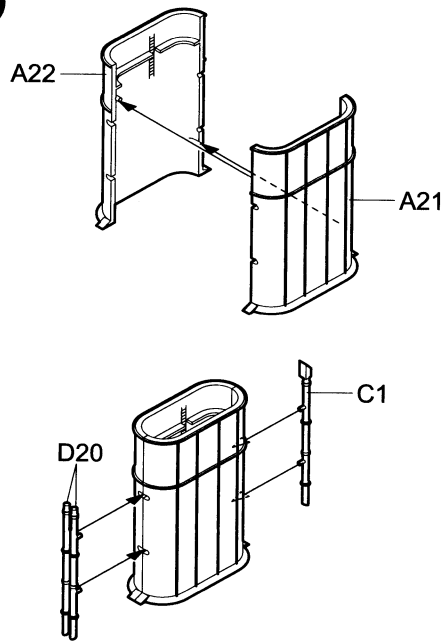
B39

舰首
BOW

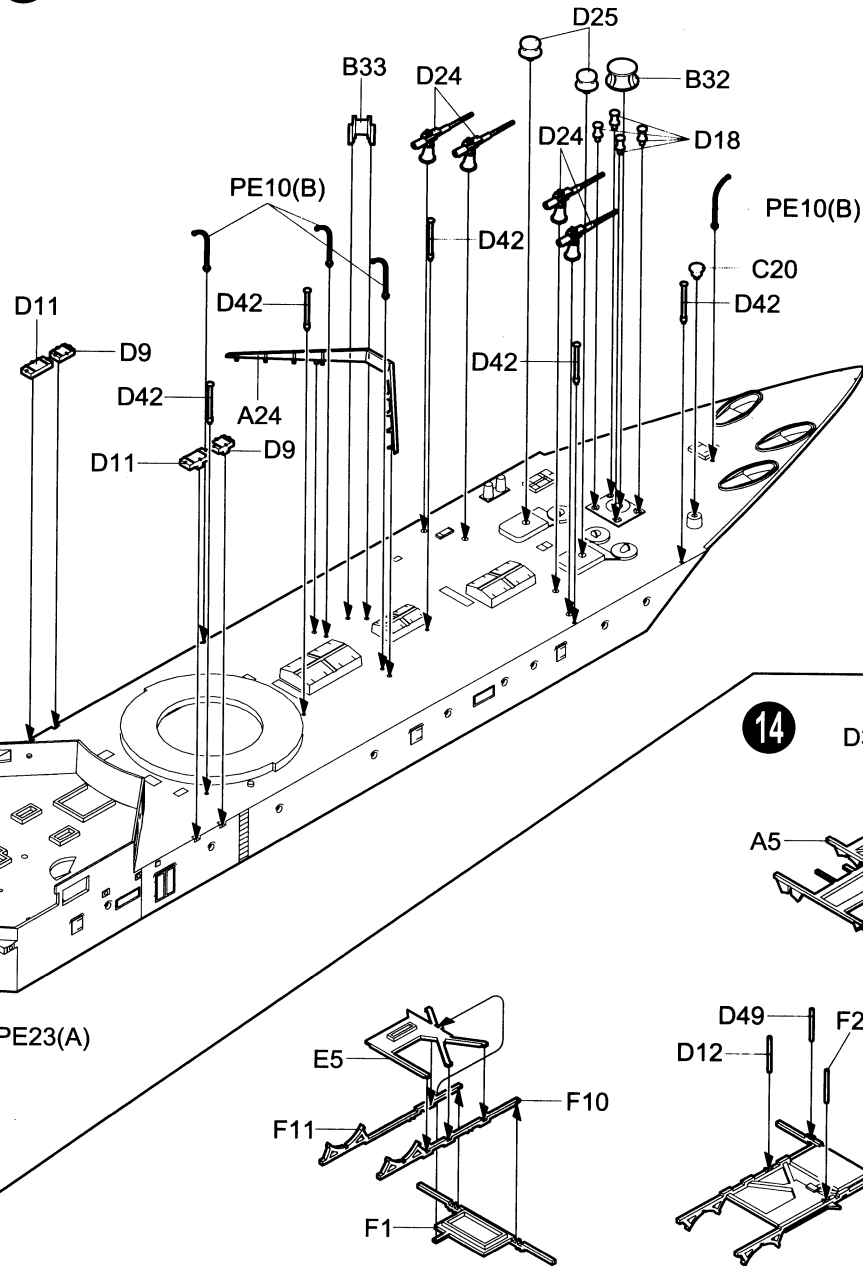
10



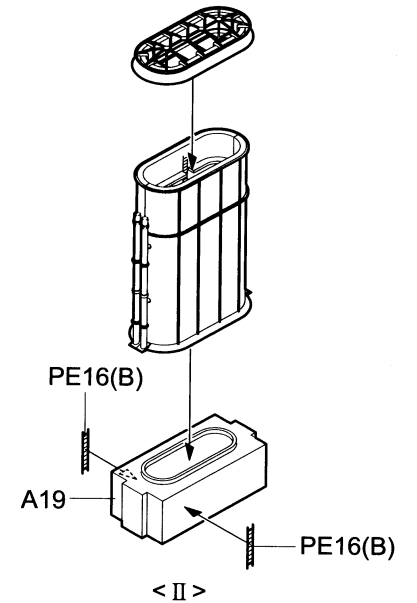
11



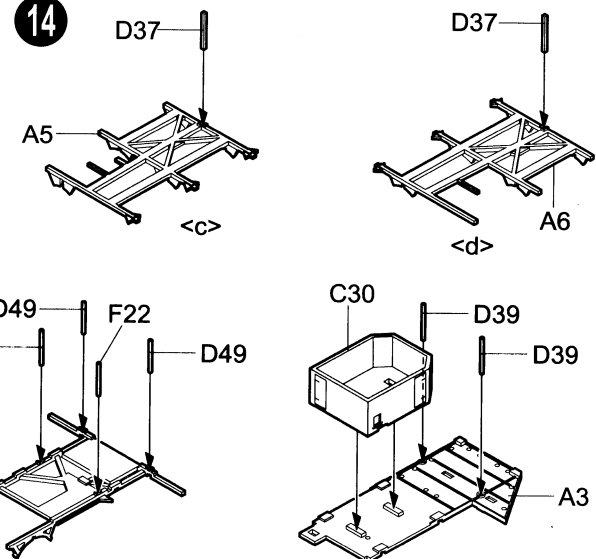
12



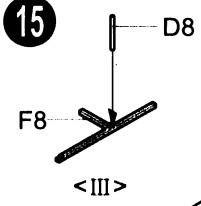
13



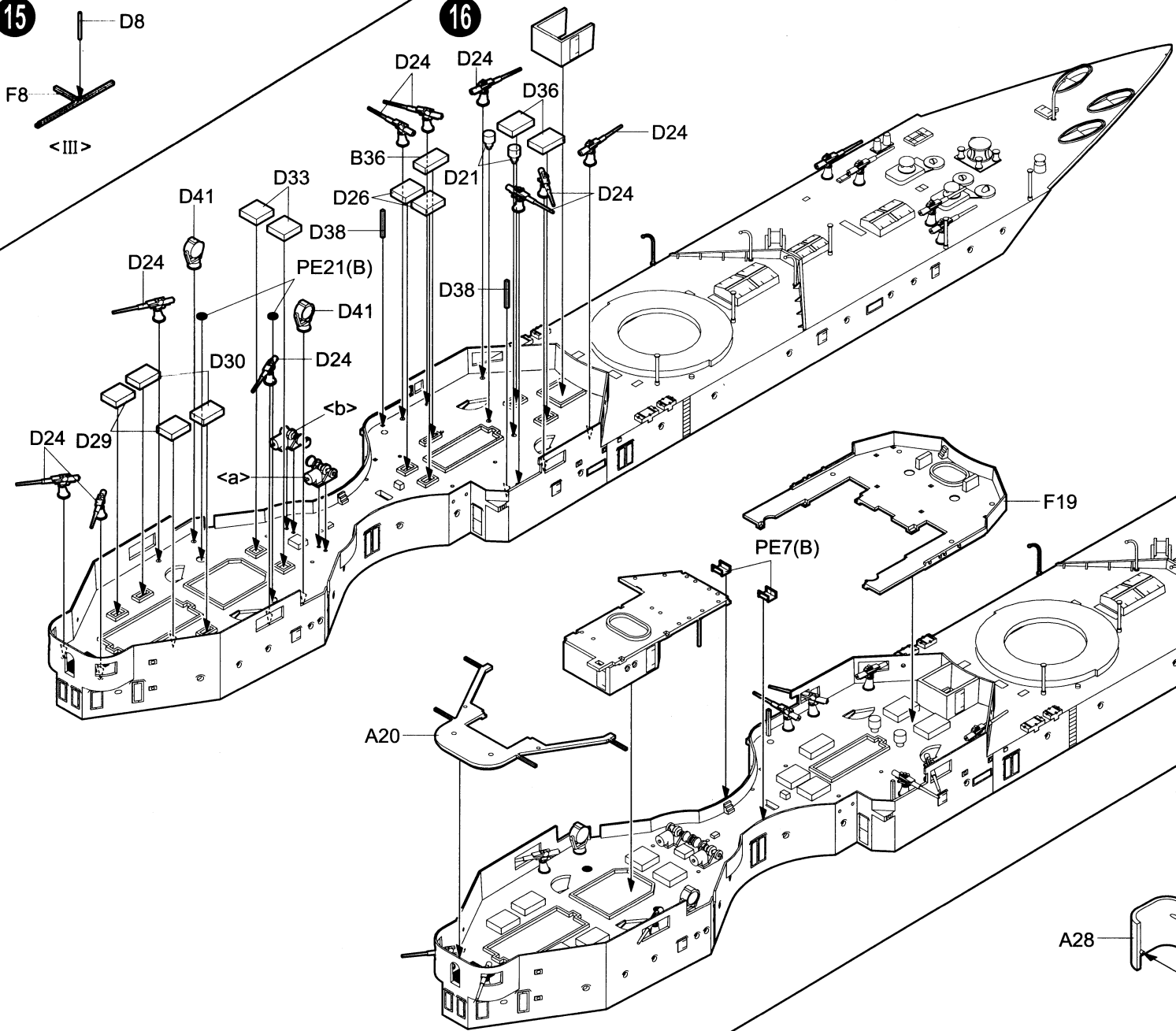
14



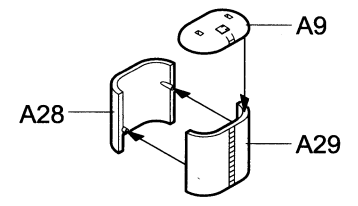
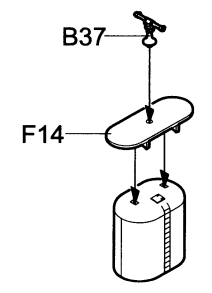
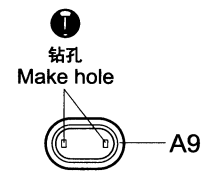
15



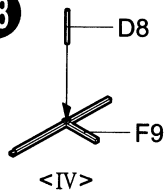
16



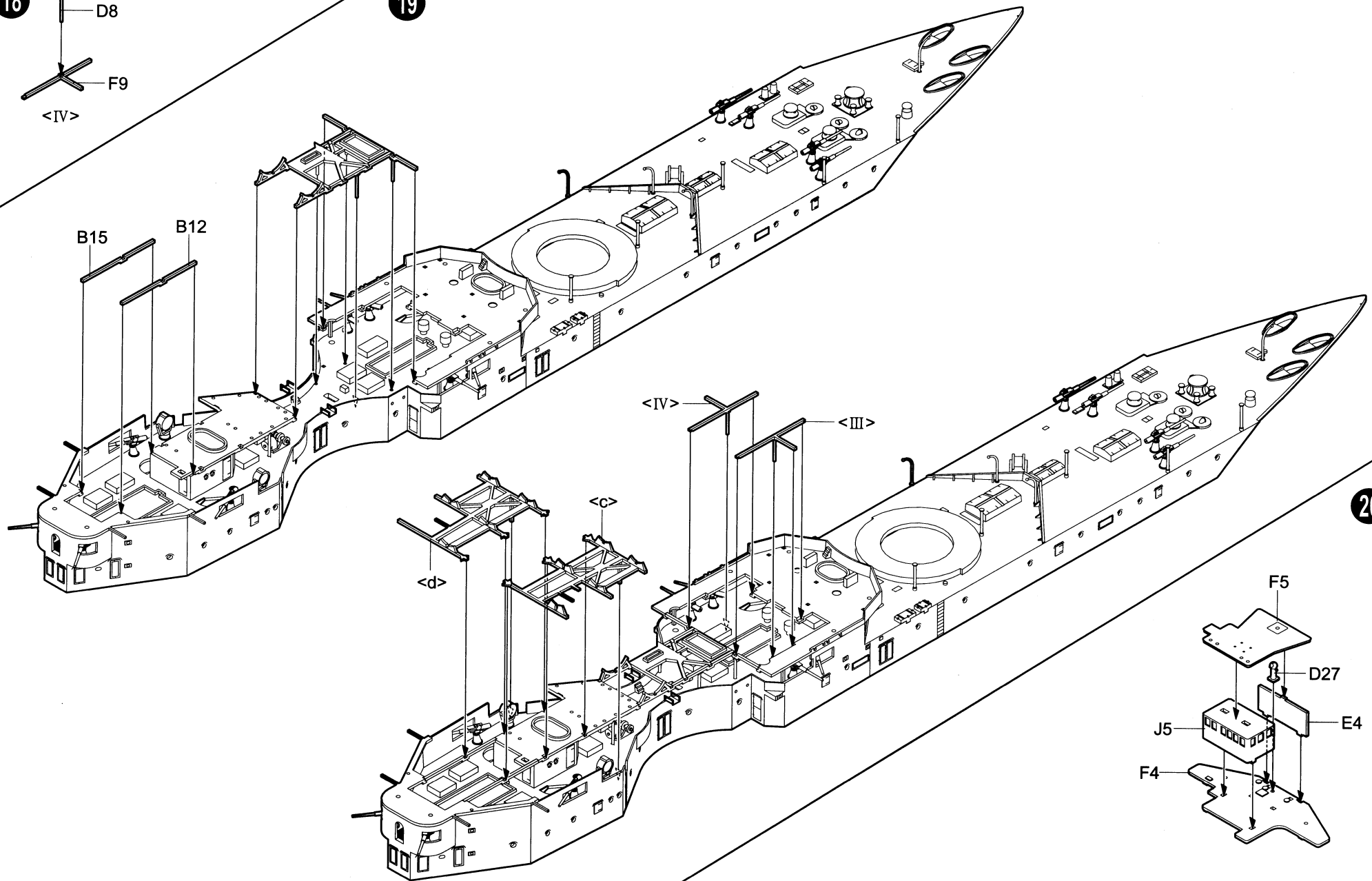
17



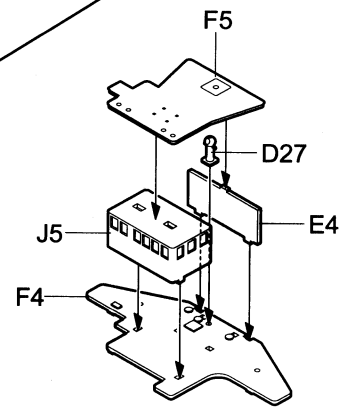
18



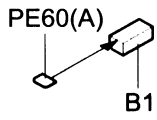
19



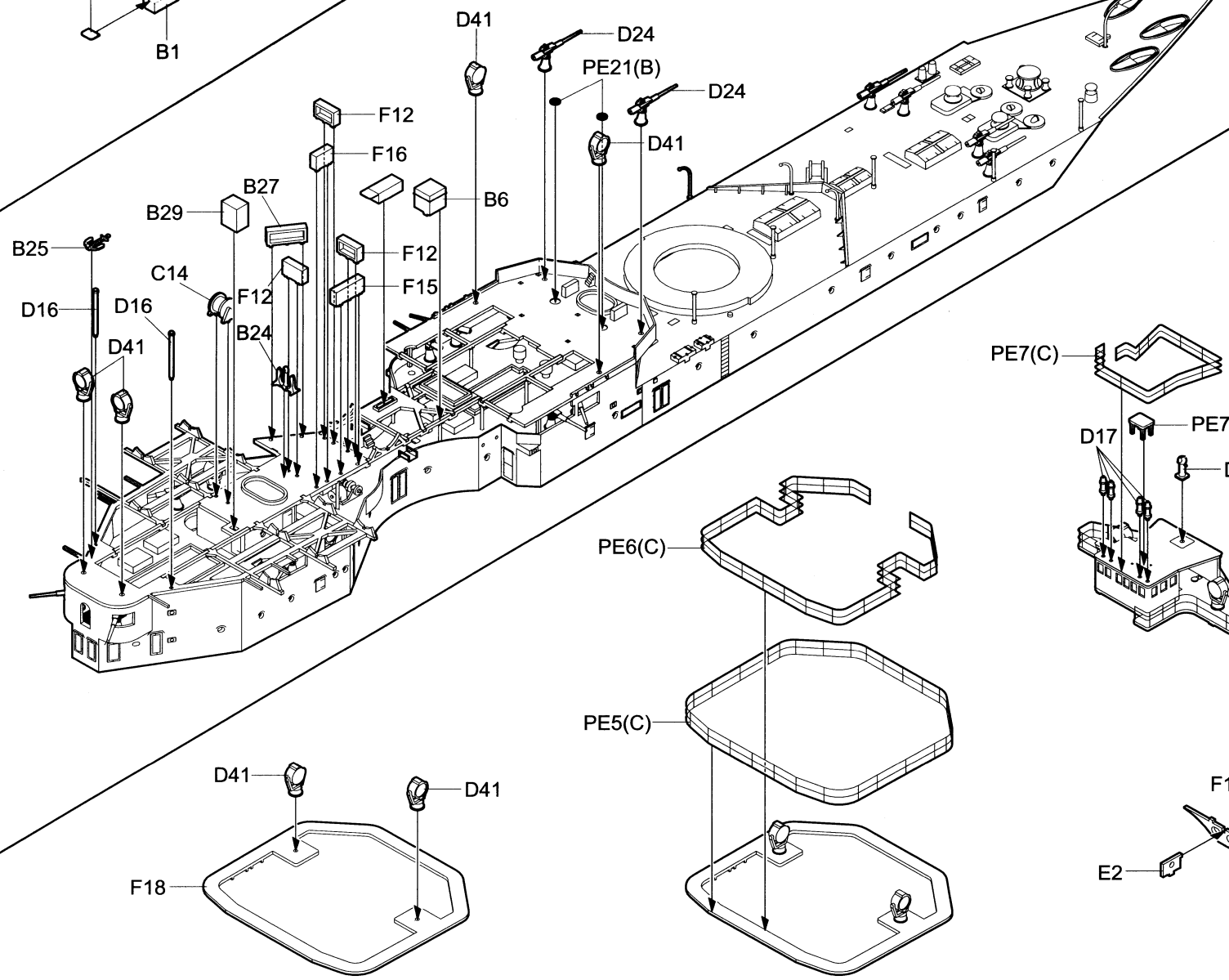
20



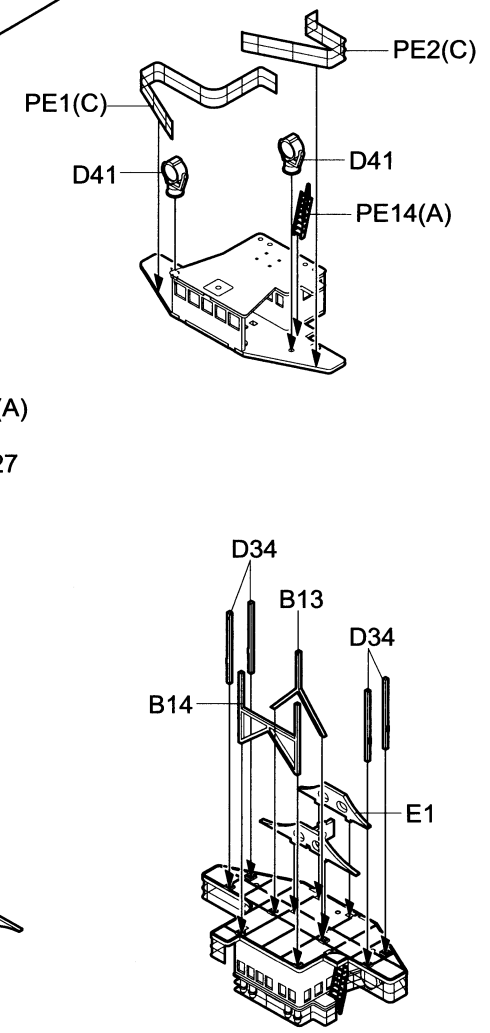
21

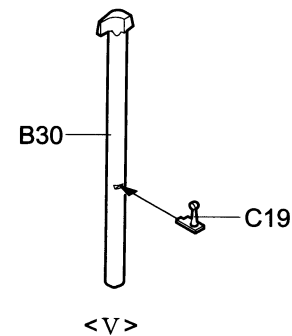
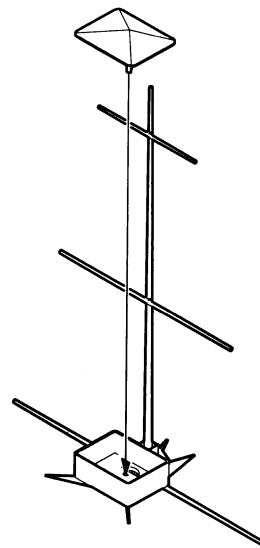
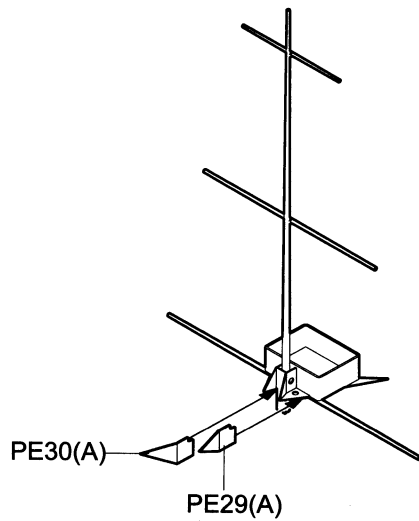
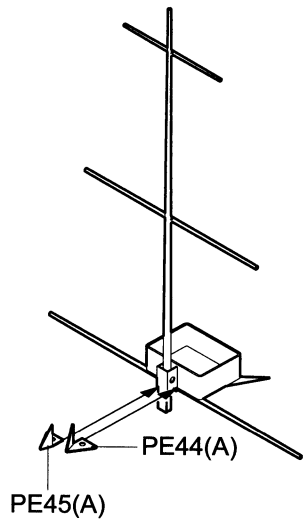
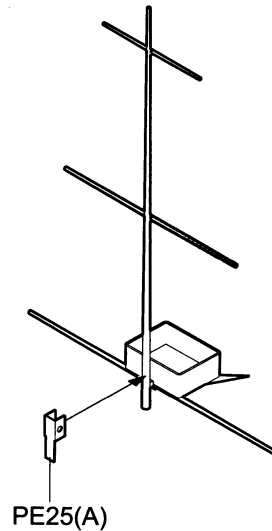
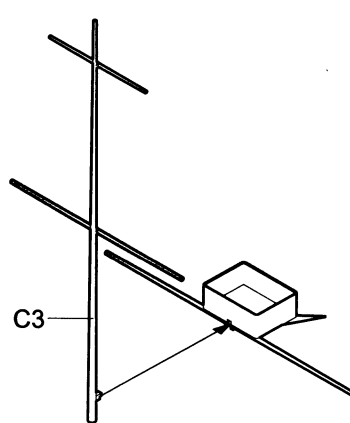
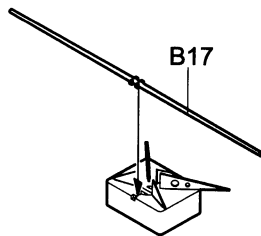
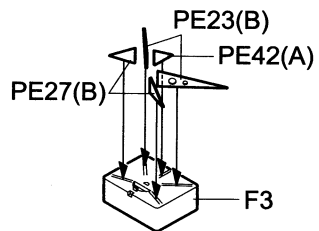
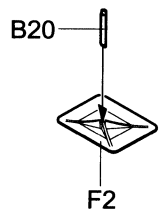


22



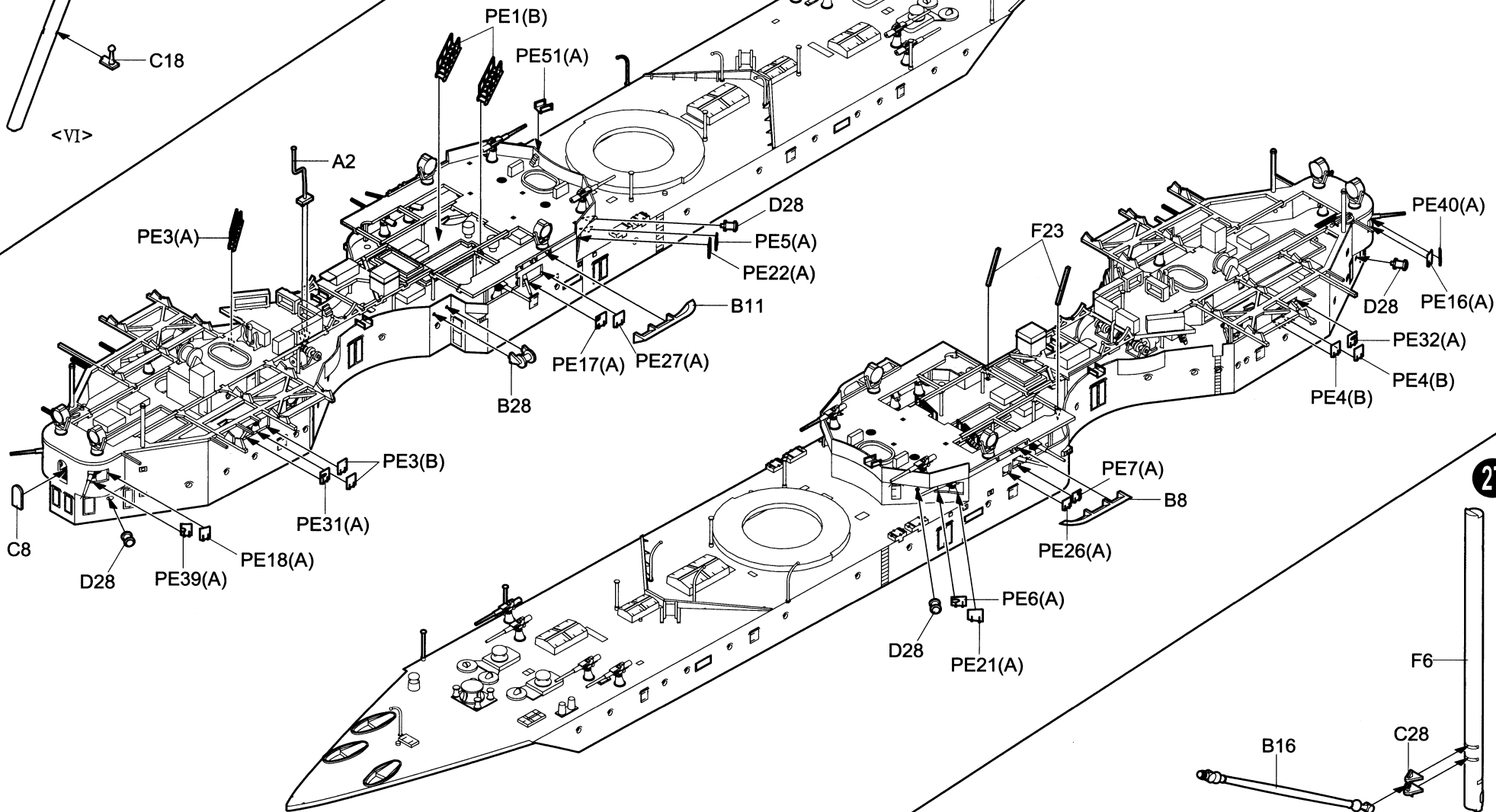
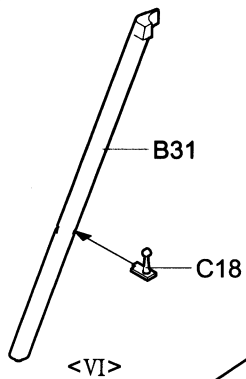
23



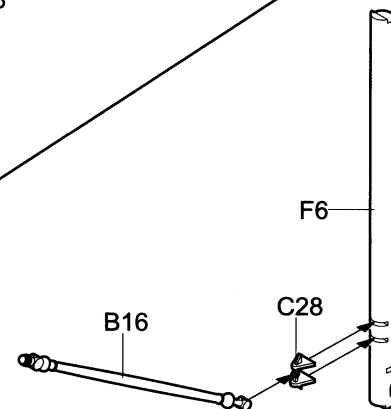


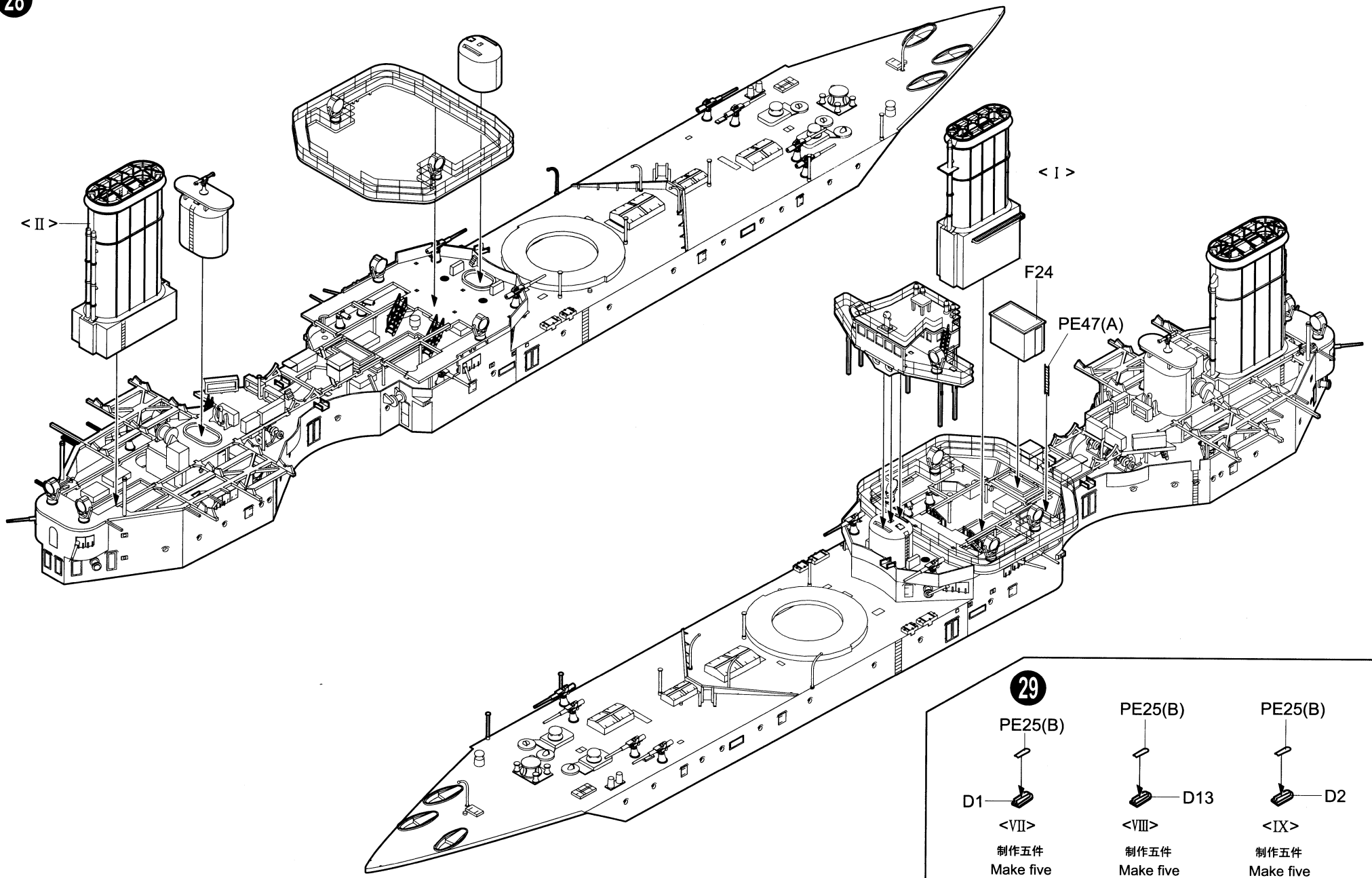
25




26

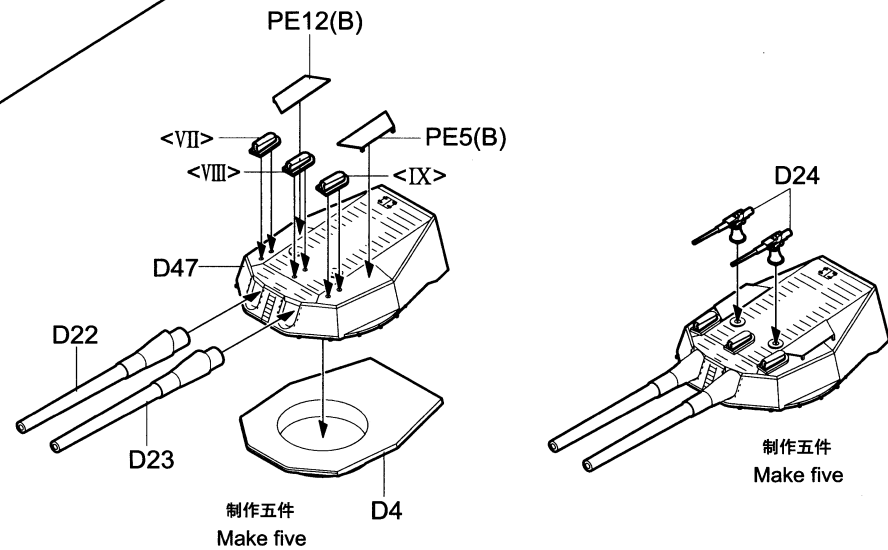
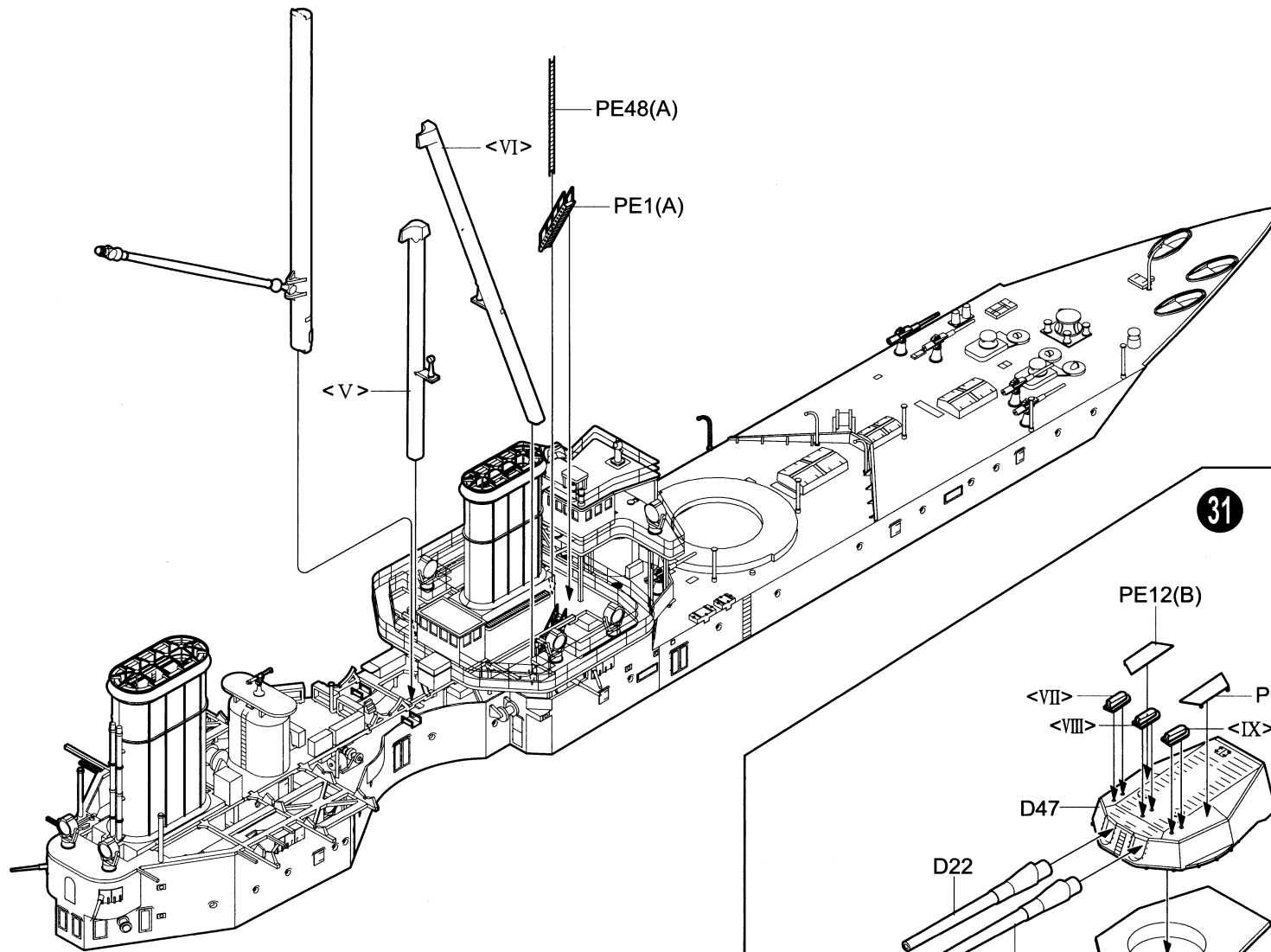


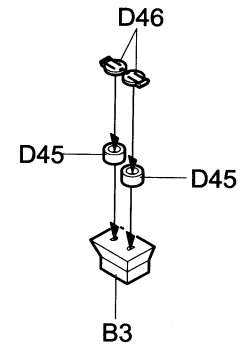
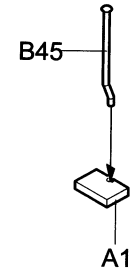
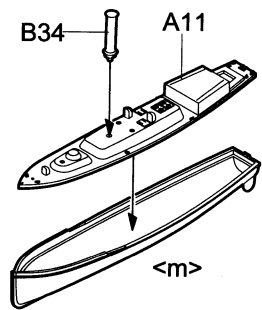
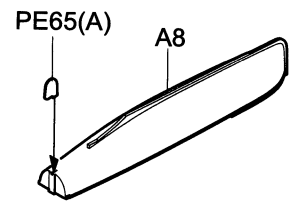
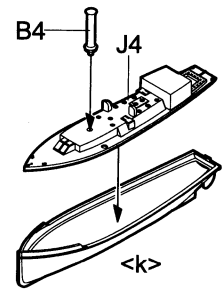
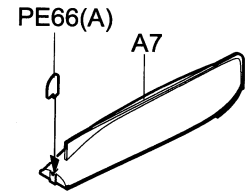
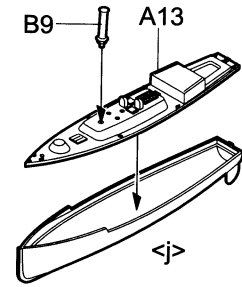
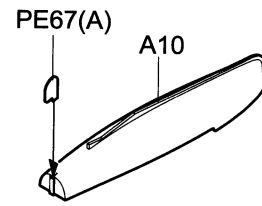
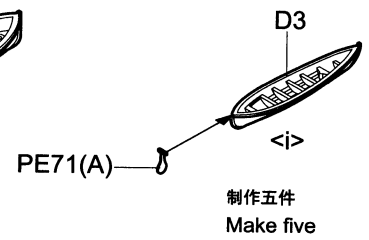
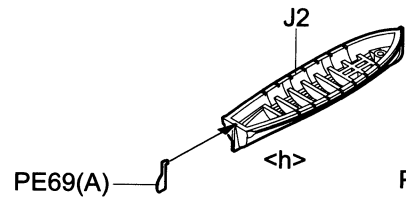
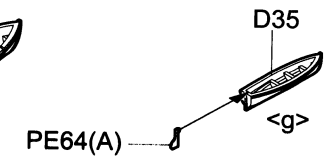
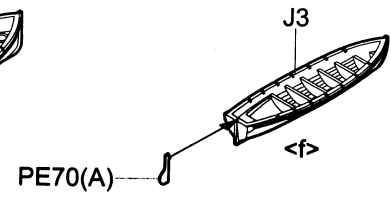
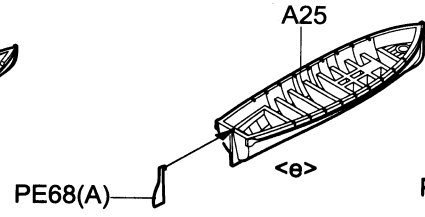
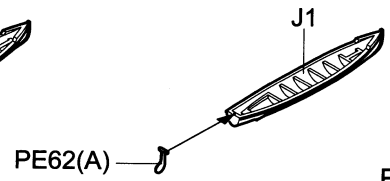
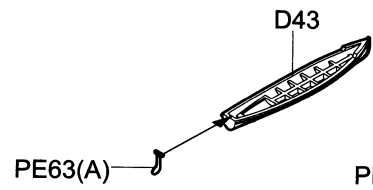
27

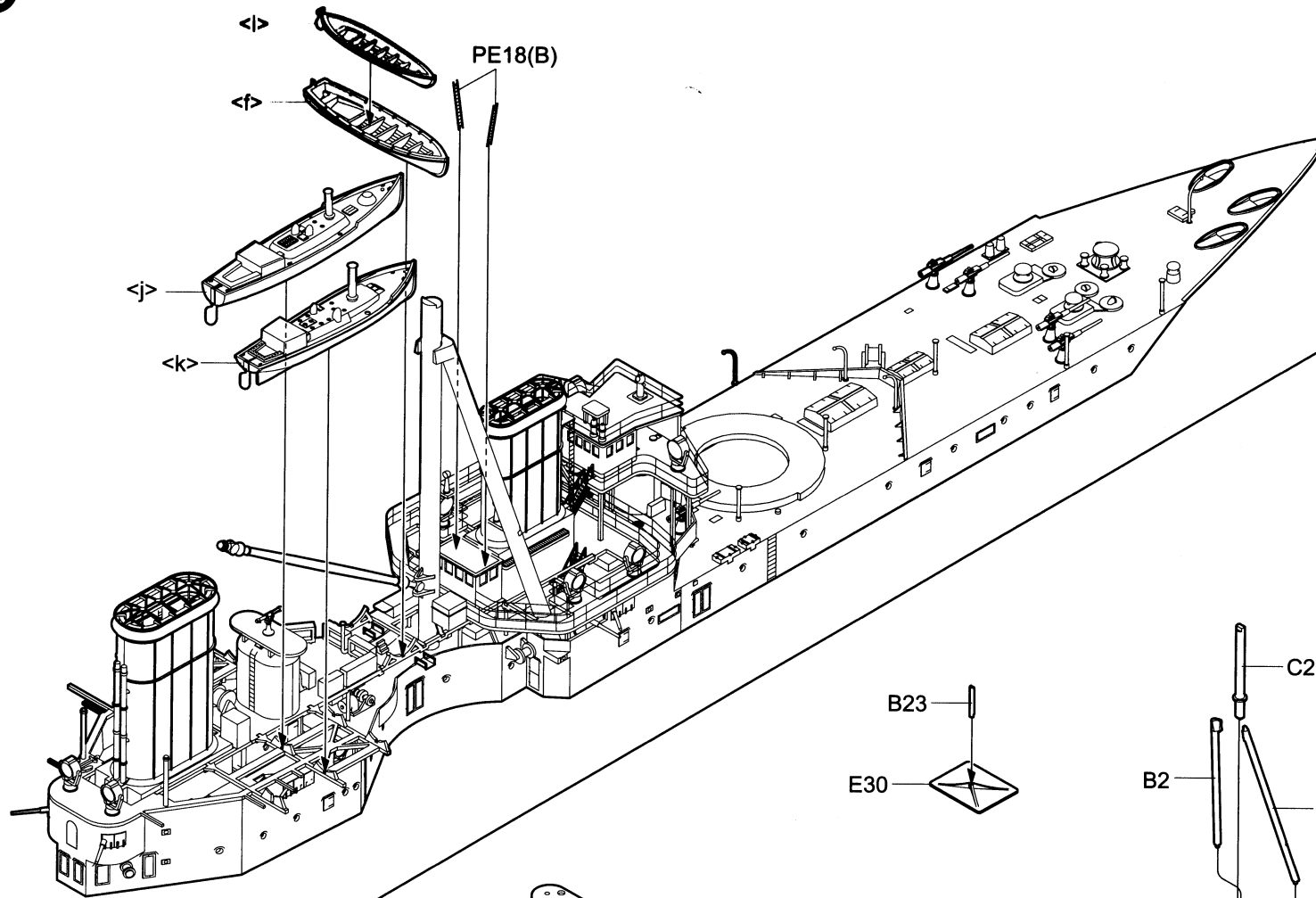




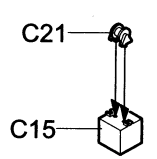
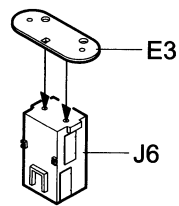
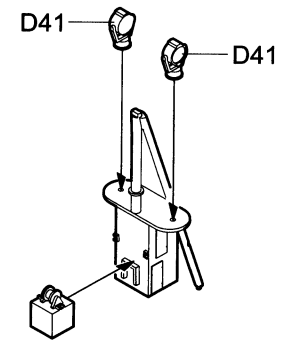
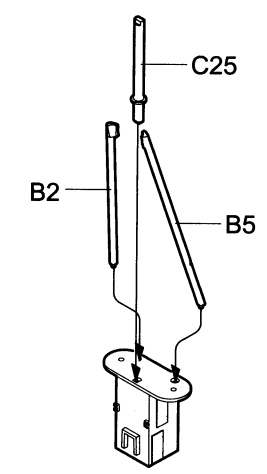
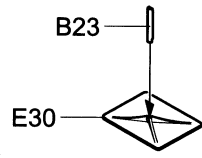
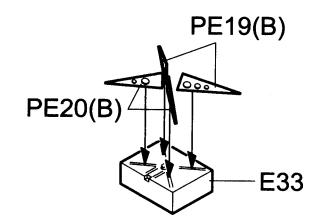
- | | | |
|---|---|---|
| PE25(B) | PE25(B) | PE25(B) |
|  |  |  |
| D1 | D13 | D2 |
| <VII> | <VIII> | <IX> |
| 制作五件 | 制作五件 | 制作五件 |
| Make five | Make five | Make five |

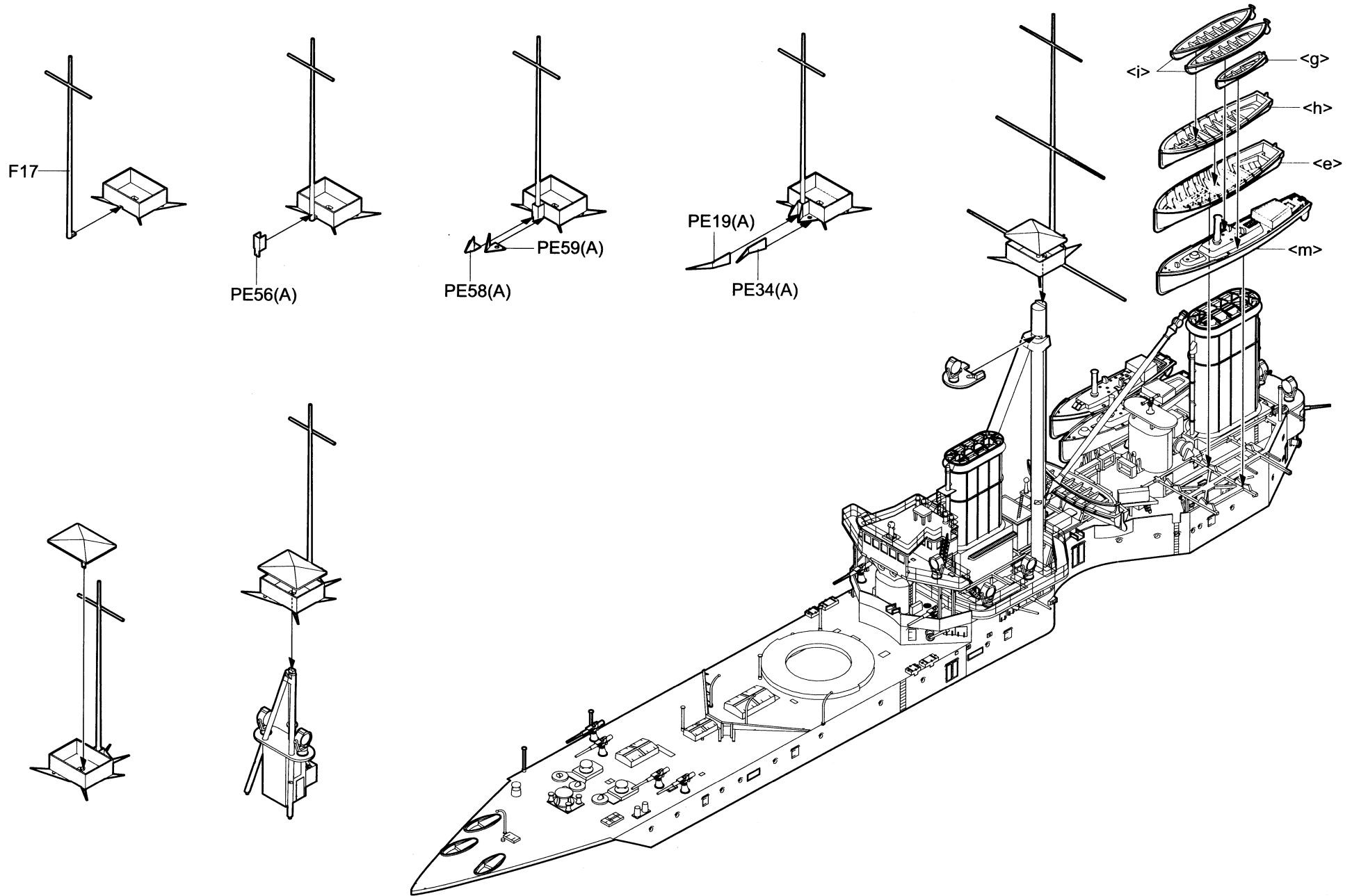


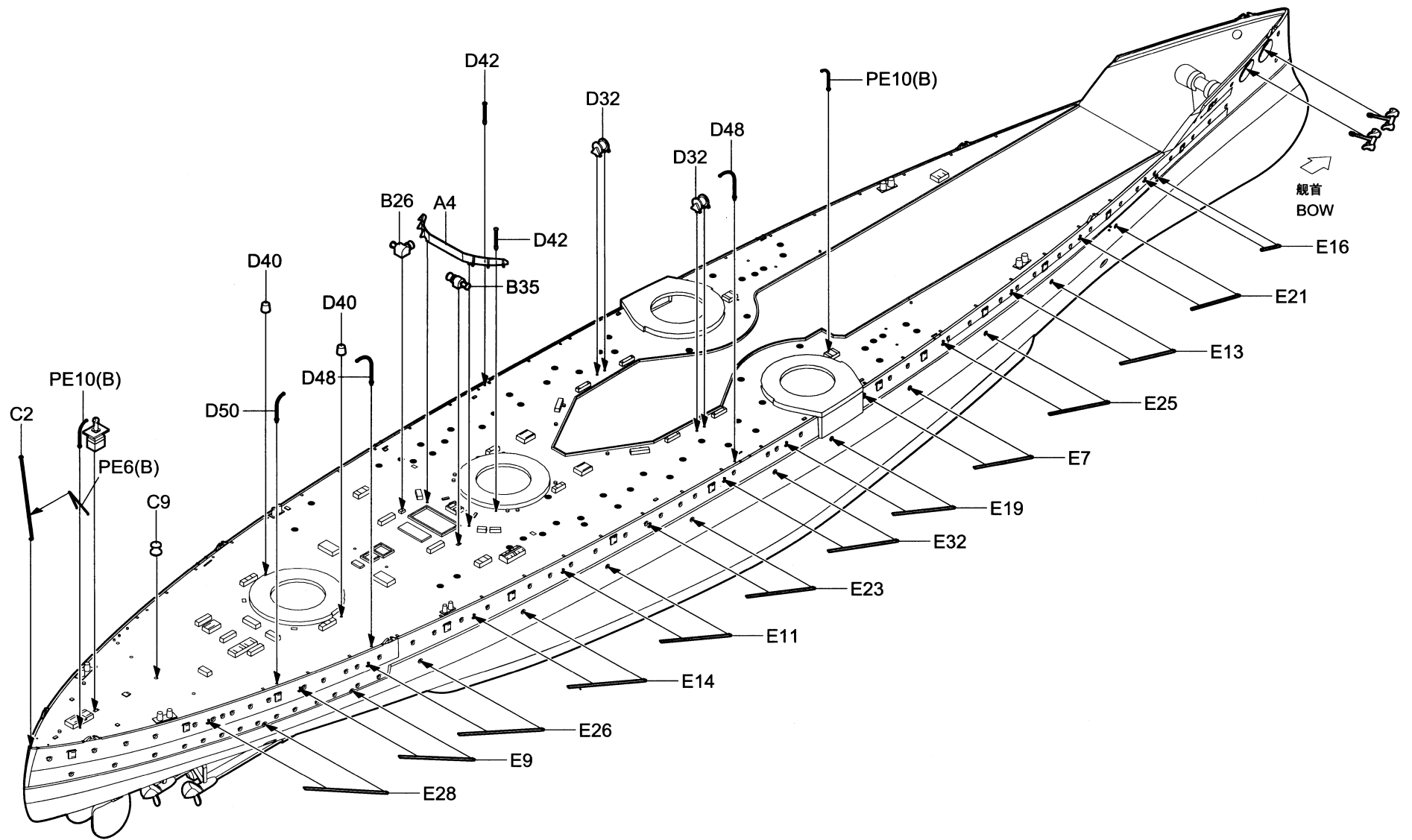


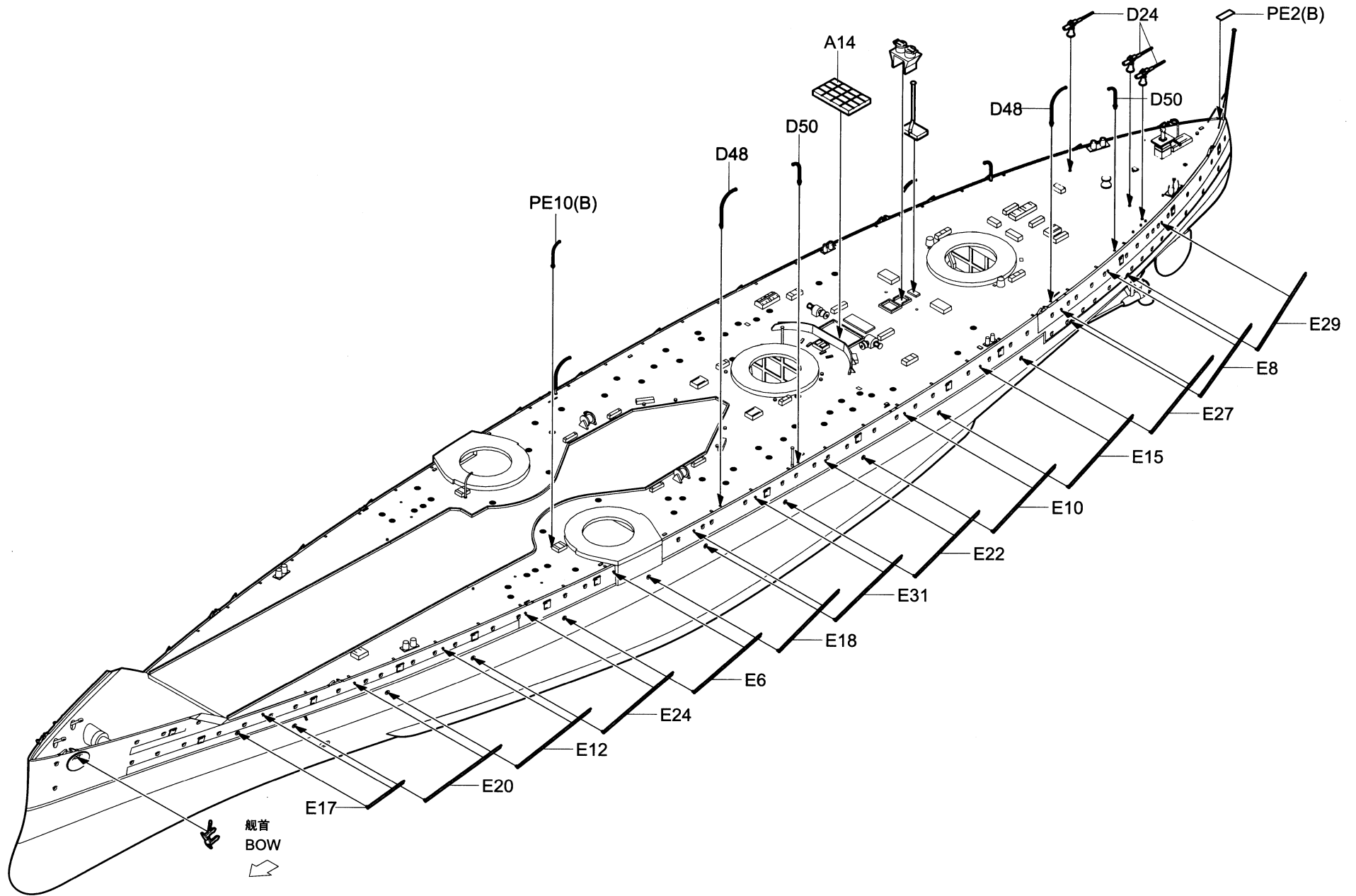


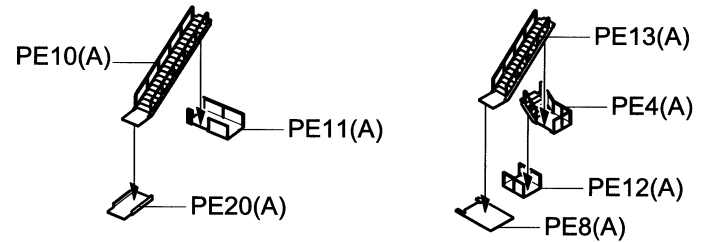
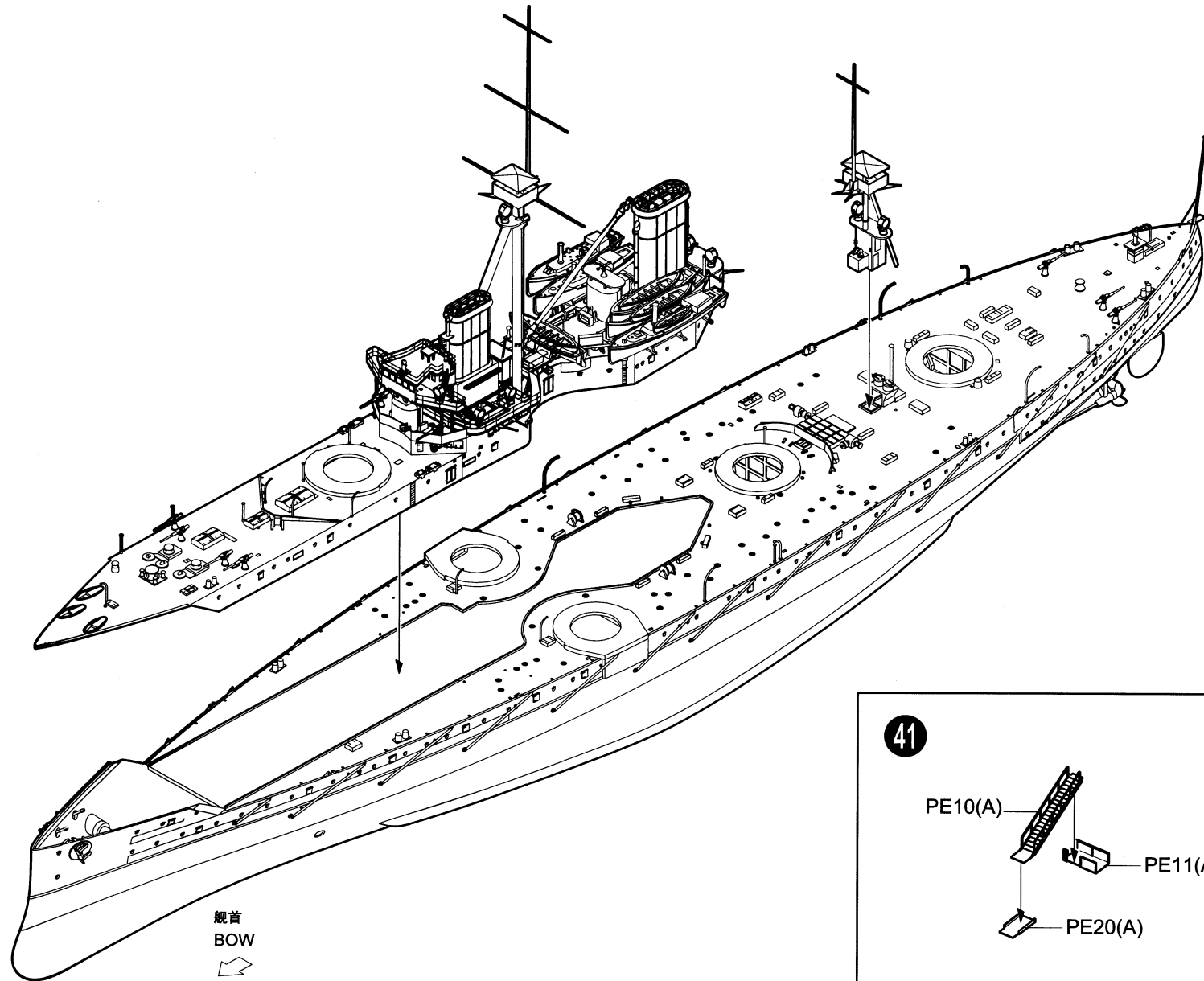
PE18(B)

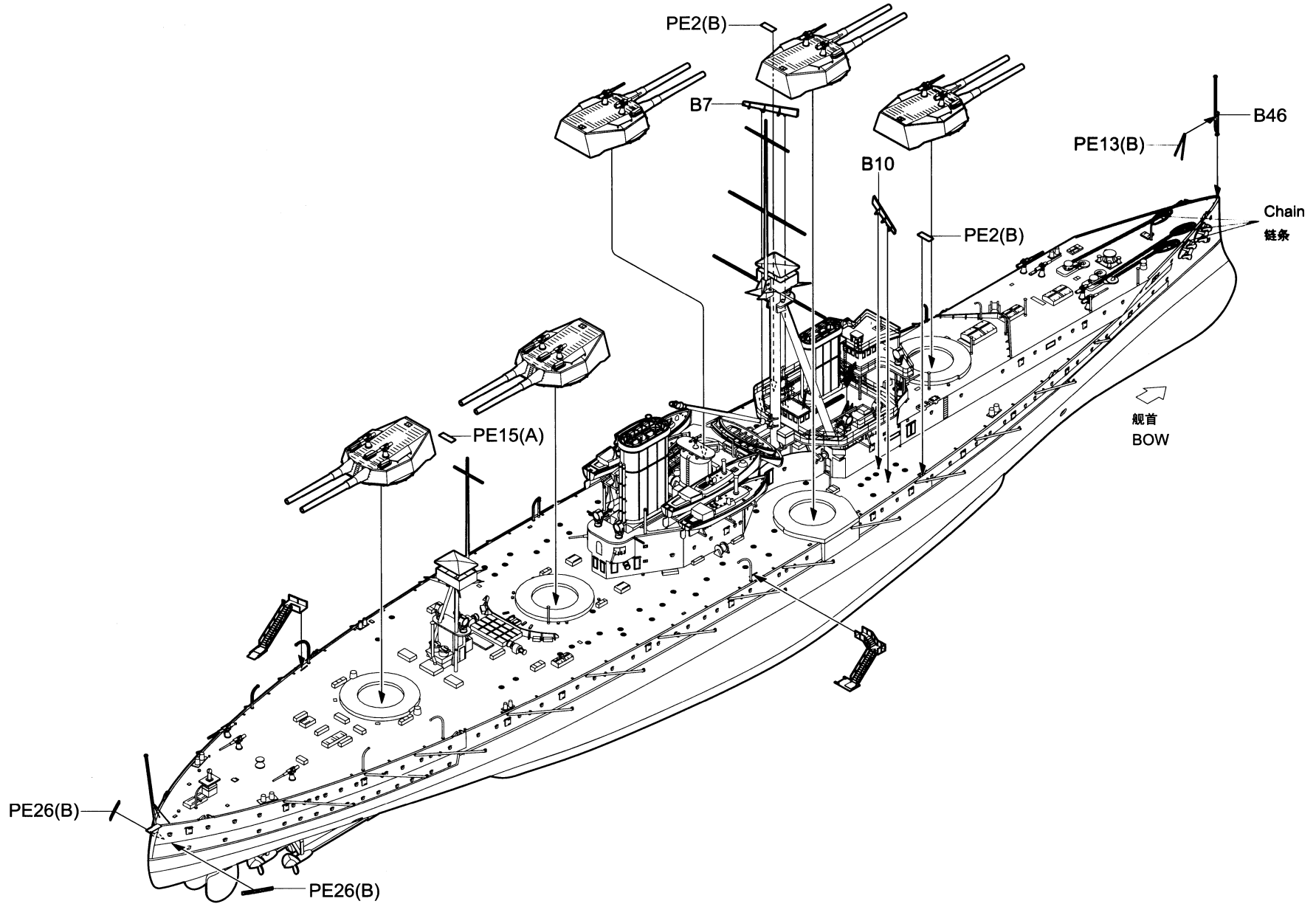


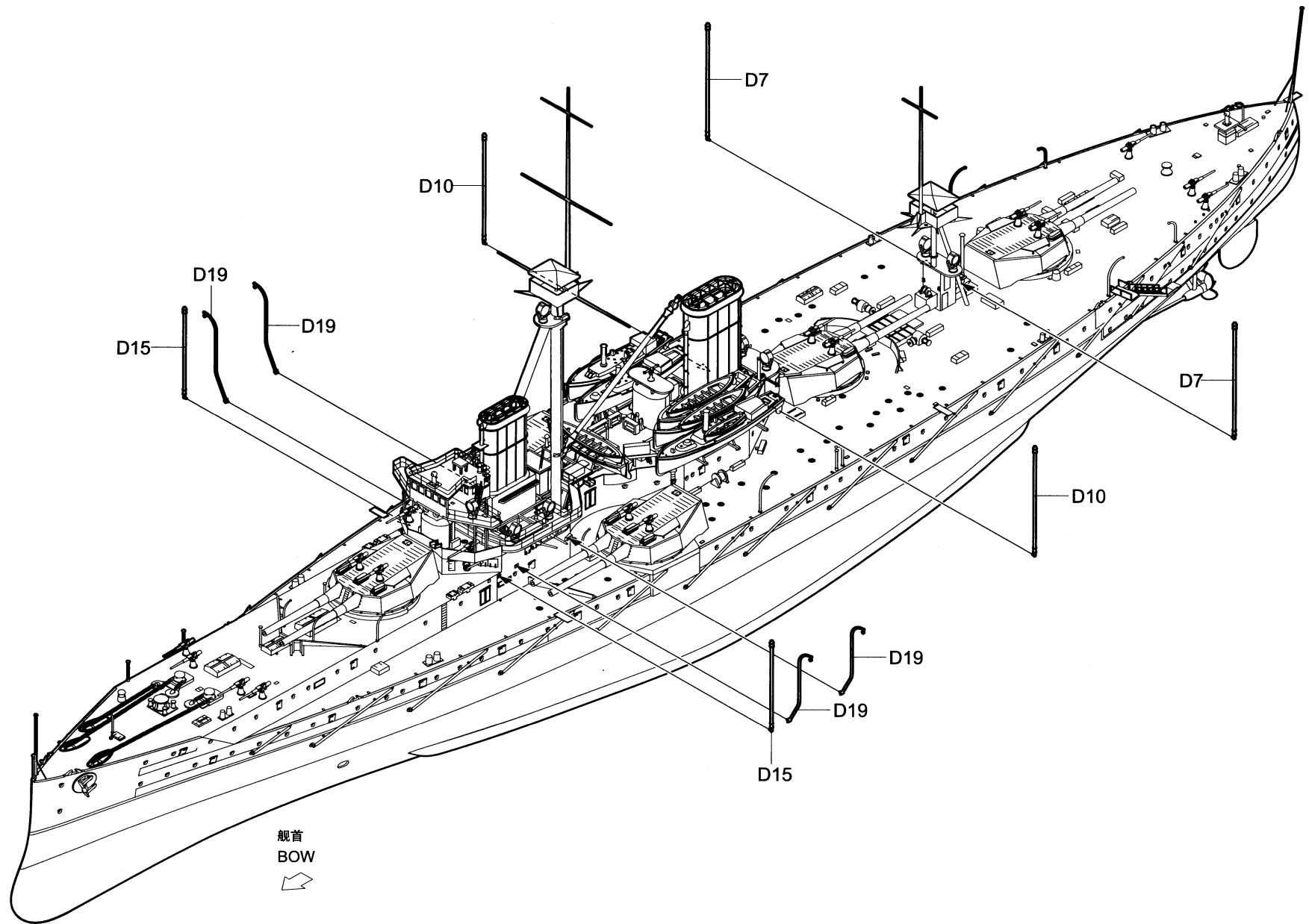


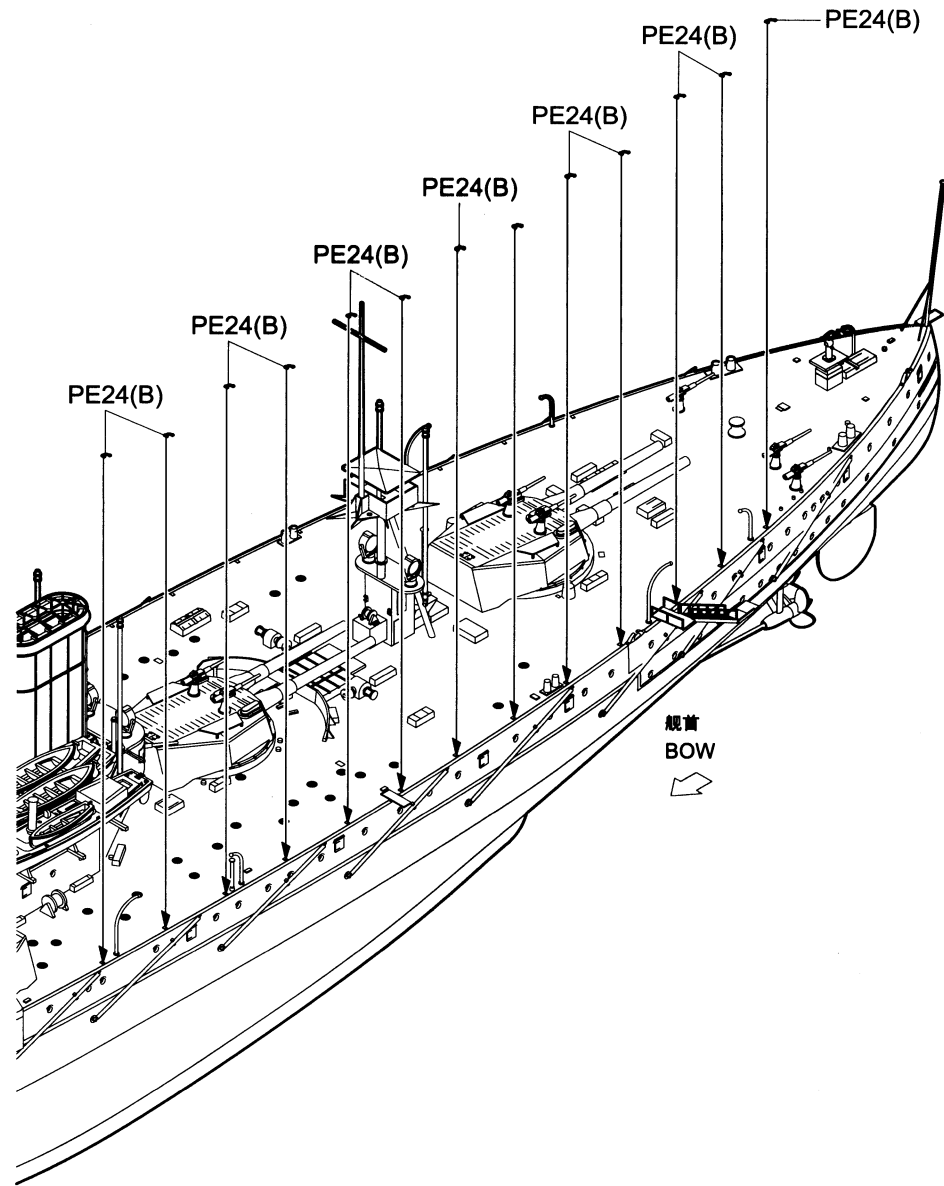
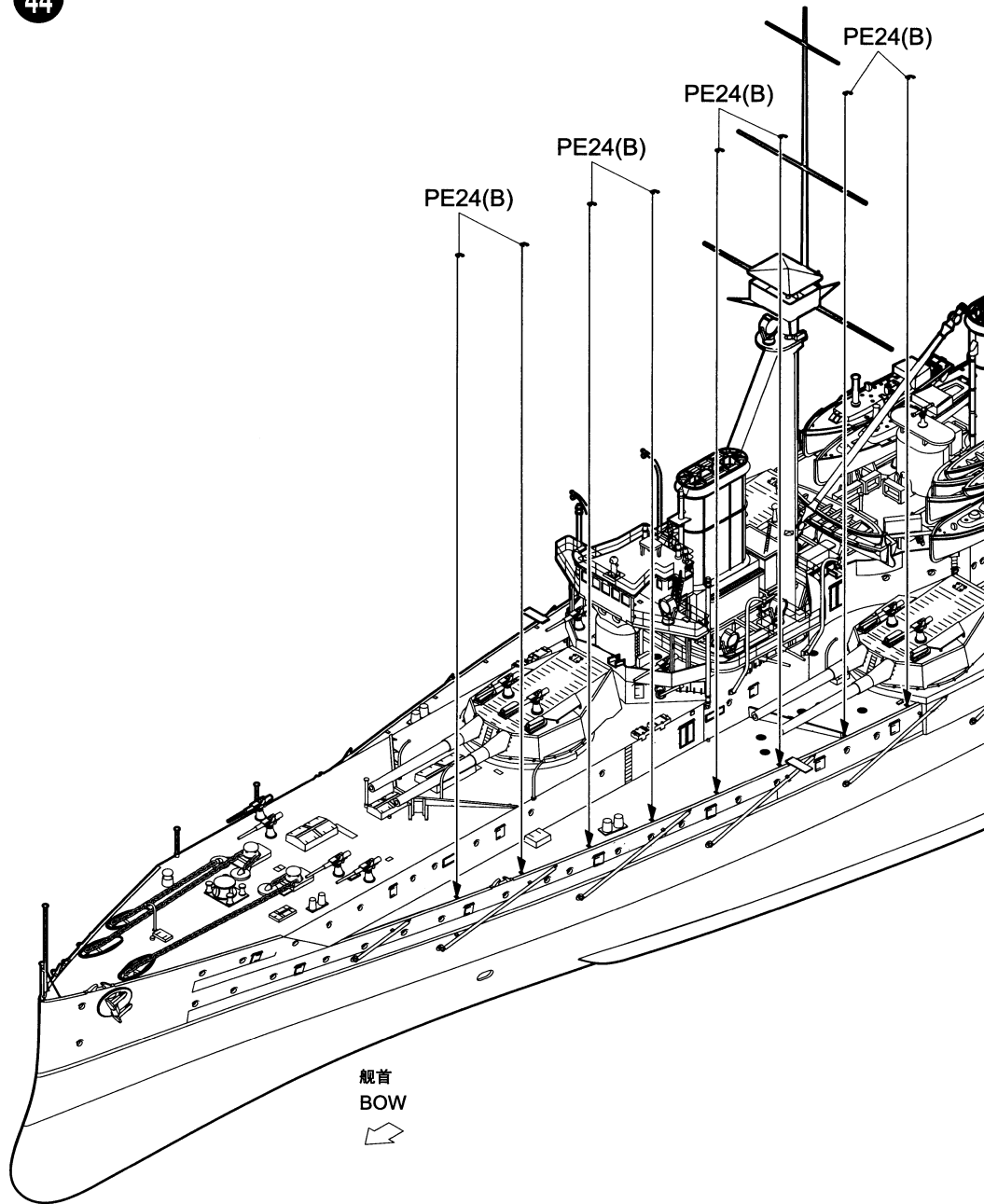


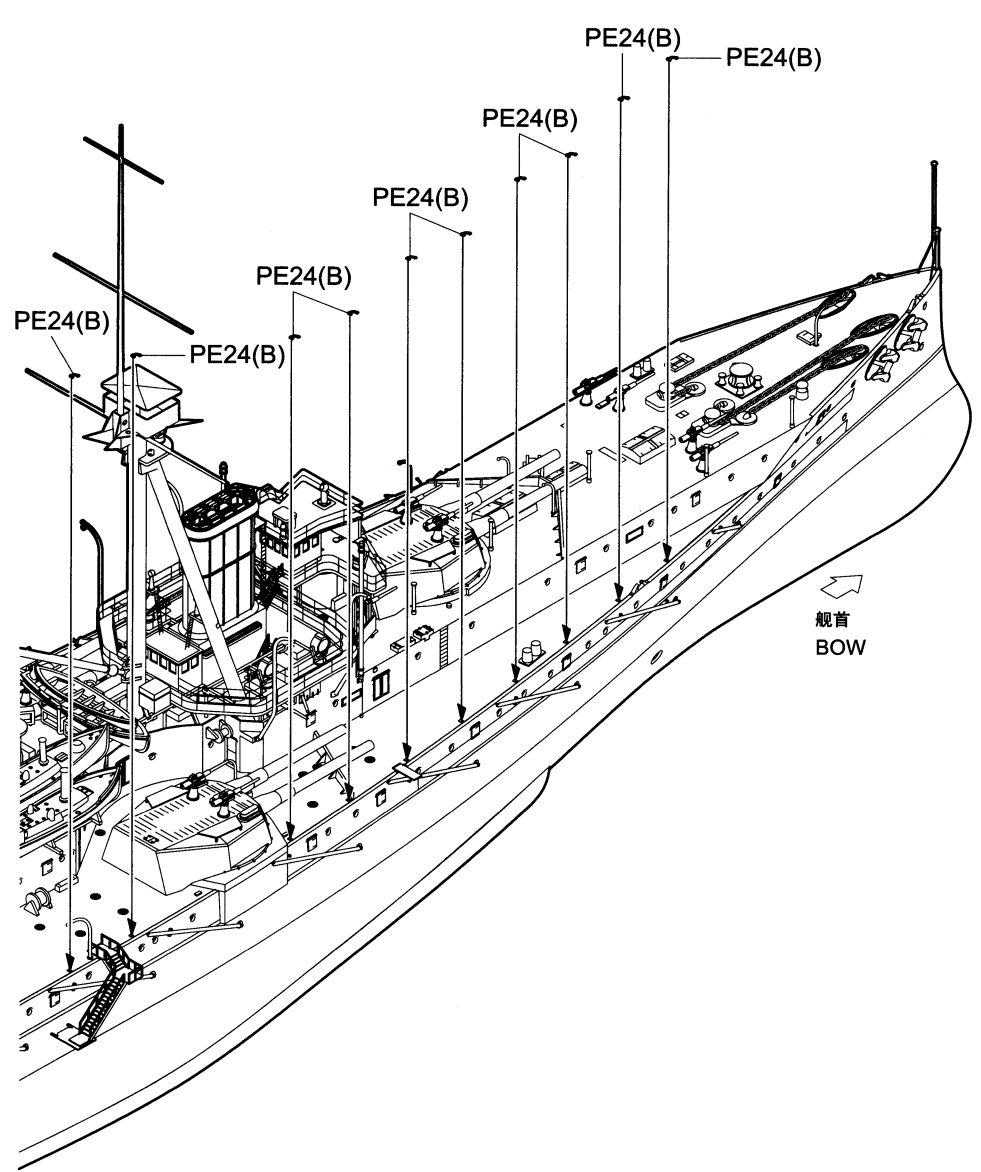
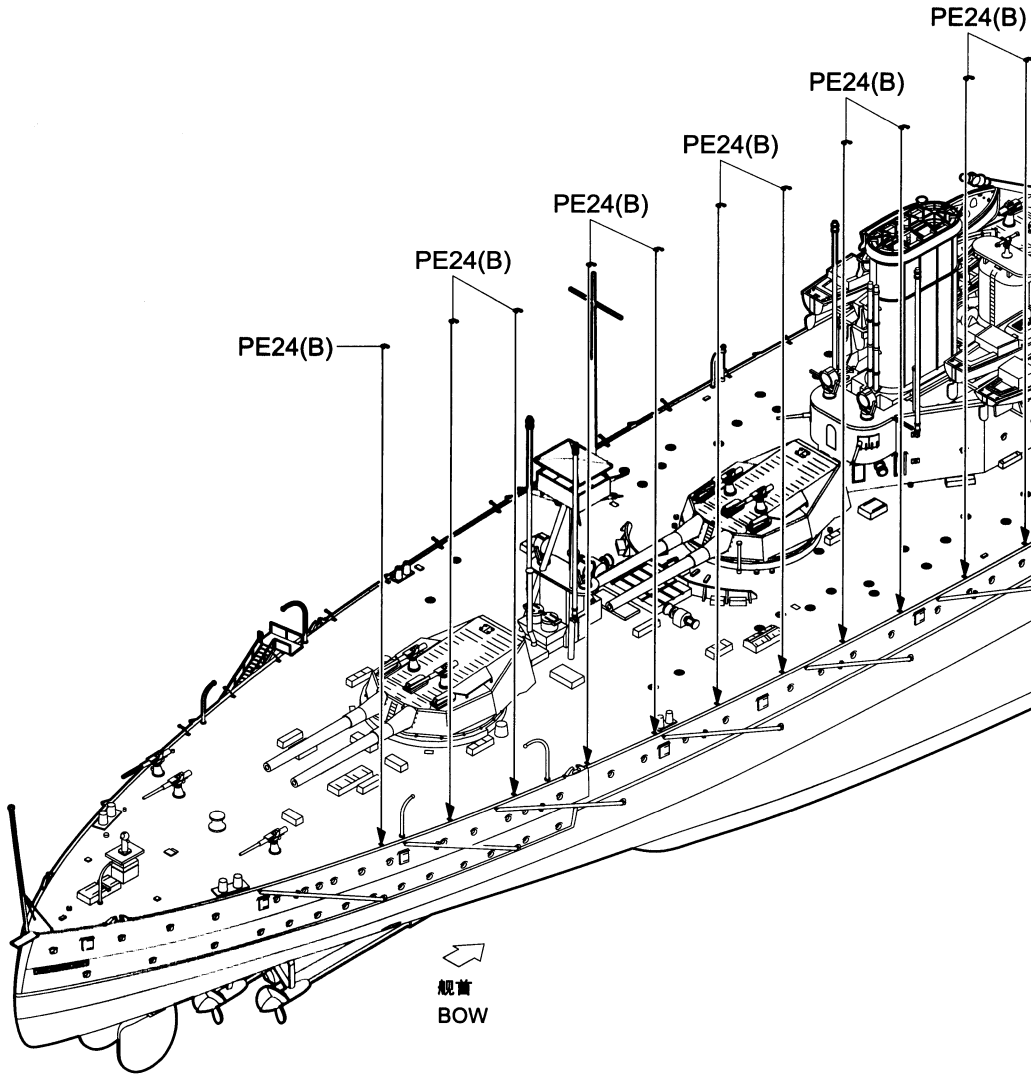


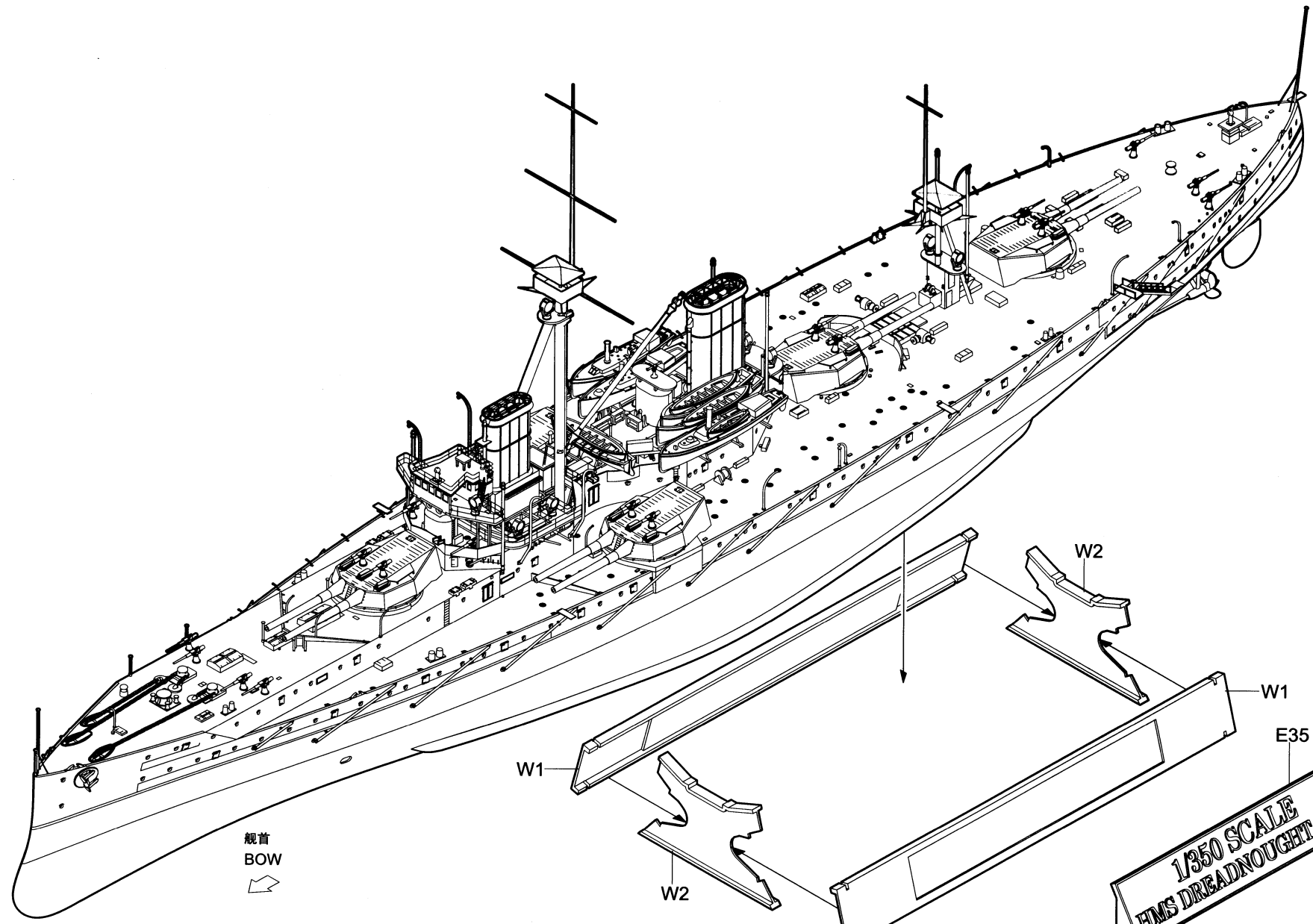












舰首
BOW
↔

W1

W2

W2

W1

E35

1/350 SCALE
HMS DREADNOUGHT 1907

涂装同标贴指示

Painting & Marking guide

PAINT REFERENCE COLOUR

| Color | Mr.Hobby | Vallejo | Model Master | Tamiya | Humbrol | Color | Mr.Hobby | Vallejo | Model Master | Tamiya | Humbrol |
|----------------------|-----------|---------|--------------|--------|---------|-------------------|----------|---------|--------------|--------|---------|
| Dark Sea Gray 深海灰 | H 333 333 | 994 | -- | XF50 | 123 | Flat Black 消光黑 | H 12 33 | 950 | 1749 | XF1 | 33 |
| Hull Red 舰底红 | H 17 29 | 985 | -- | XF9 | 177 | Gold 金色 | H 9 9 | 878 | 1744 | XF12 | 16 |
| Gray 灰色 | H 311 311 | 883 | 1733 | XF55 | 28 | Steel 黑铁色 | H 18 28 | 864 | 1402 | -- | -- |
| SC06 油毡甲板色 | H 06 06 | -- | -- | -- | -- | Tan 甲板黄 | H 27 44 | 981 | -- | -- | 9 |

