

1401

ROMAN WARSHIP

CARG 95
-45-
30

Roman warships were fearsome weapons and a major factor in the expansion of the Roman Empire when the first Punic Wars began in 264 B.C. At that time Rome consisted of little more than the lower half of modern Italy. Using their warships to transport troops and combat enemy fleets, the Roman Empire was expanded to include all the area surrounding the Mediterranean Sea by the year A.D. 117.

The Roman galley was propelled by oars and sails. The oarsmen were usually slaves and rowed to the cadence of a drummer. The ships were armed by the swords and spears of the soldiers on board. Protection was provided by the removable shields along the hull sides. The unique "proboscis" on the front of the ship was a reinforced ram used to spear the enemy ships. If the enemy ship remained skewered to the

Roman ship, the soldiers would leap aboard and engage in hand-to-hand combat. If it succeeded in pulling away, the hole caused by the ram ensured the enemy ship would sink.

Another unusual feature of the Roman warship was the brick castle in the stern, a substantial fort from which to engage the enemy.

Generally, these ships were natural wood finish, shades of tan and brown. The area below the waterline was usually coated with tallow for waterproofing. This was a very pale cream or yellow, and often quite streaked.

Some areas of the ships were highlighted with bright colors and designs, particularly the shields. Gold leaf was often used to embellish some of the carving. For guidance, refer to the illustration on the front of the box.

Copyright 1987 Minicraft Models, Inc.



Cement Parts
Coller
Kleben
Pegar
Incollare
Colar
Kleven



DO NOT cement
Ne pas coller
Nicht kleben
No pegar
Non incollare
Não colar
Niet kleven



Cut away
Couper
Scheiden
Cortar
Tagliare
Cortar
Snijden



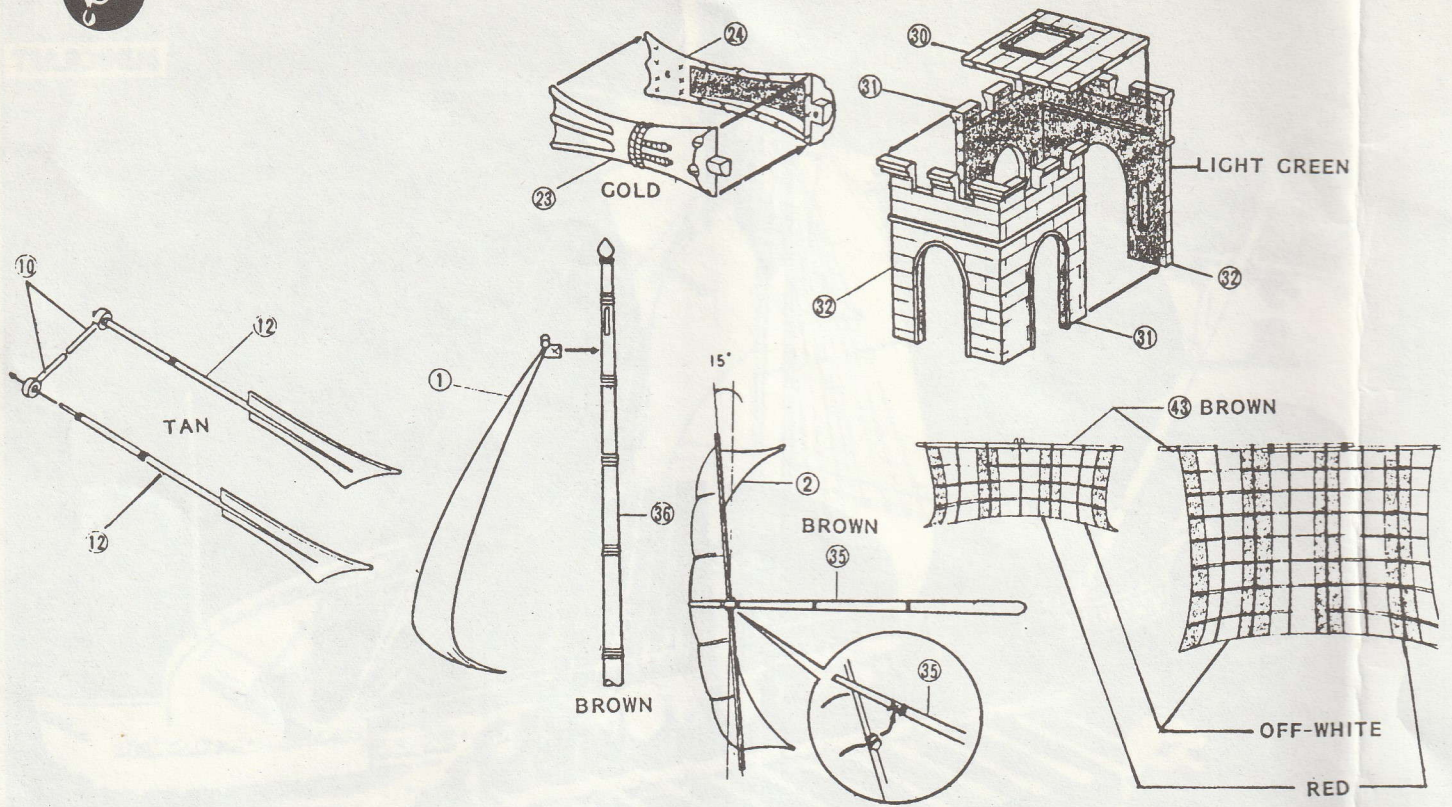
Optional parts
Choix
Auswahlmöglichkeit
Eleccion
Scelta
Opcao
Keuze



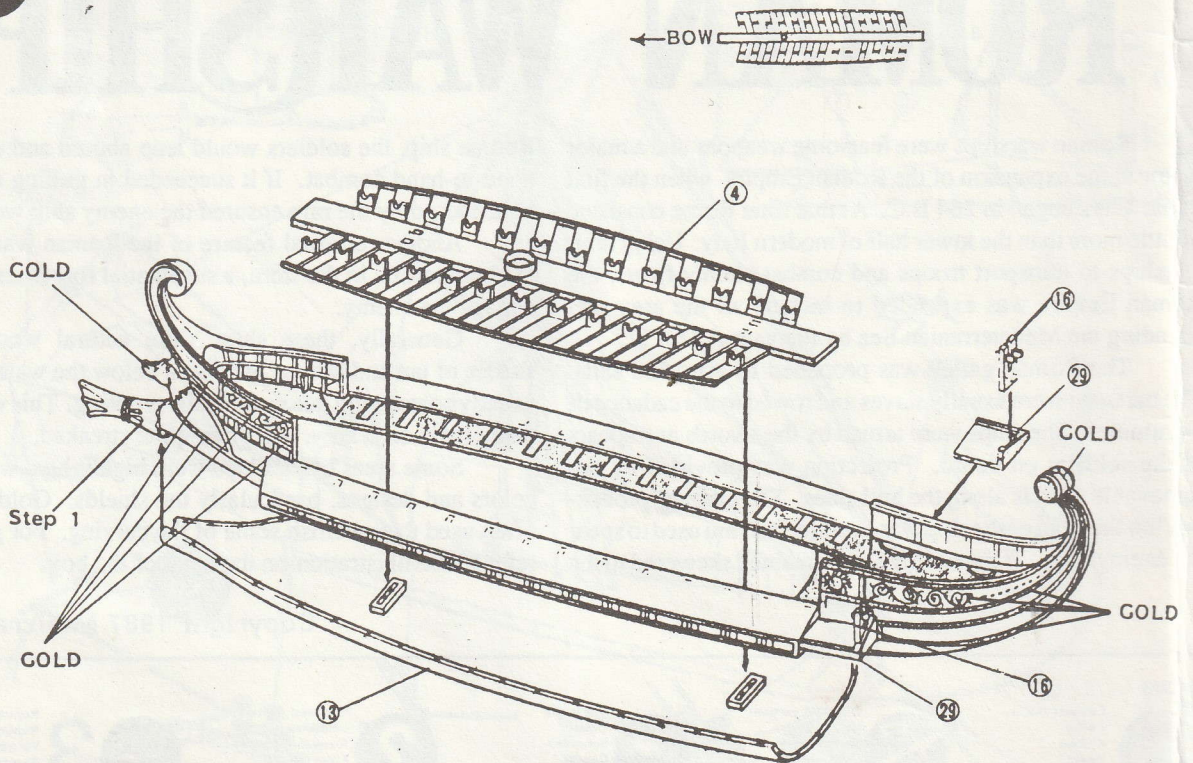
3

Repeat operation
Répéter l'opération
Vorgang wiederholen
Repetir la operación
Ripetere
Repetir a operação
Herhalen

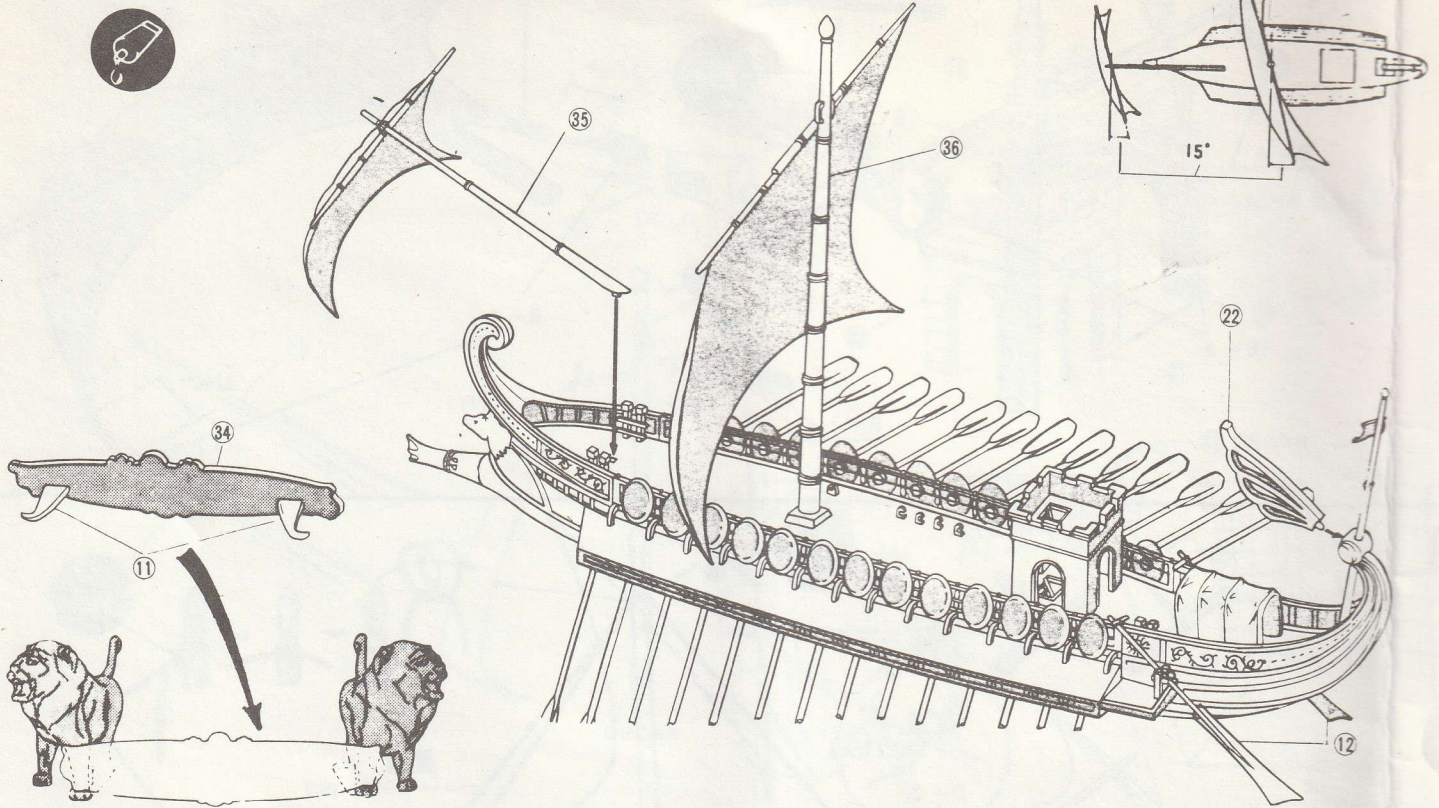
1



2



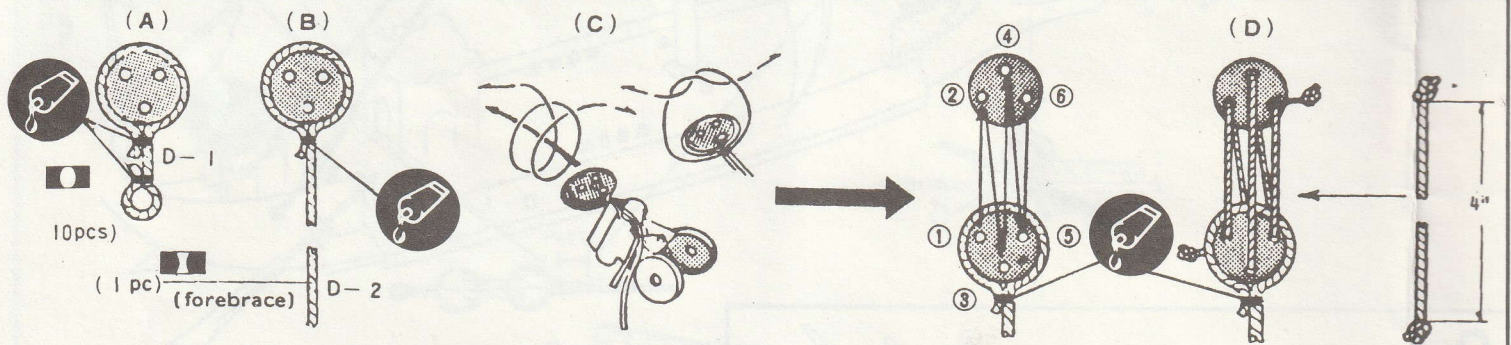
5



6

■ Indicates heavy rope to be used. ■ Indicates thin rope to be used.

For additional rigging line, use tan #50 household thread.



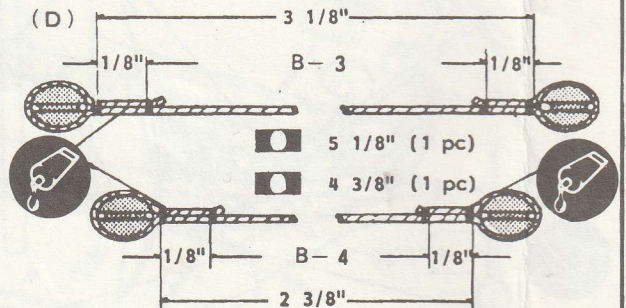
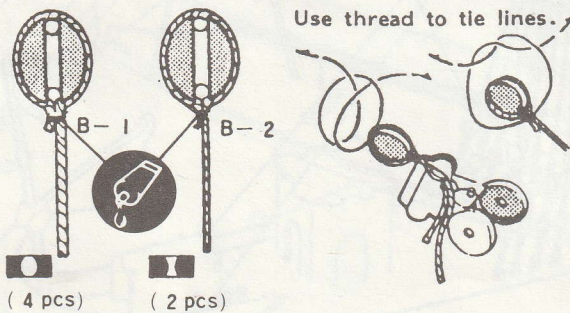
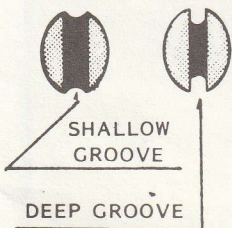
A D-1=Make from heavy rope 2 3/4" long (Make 10 sets)

B D-2= Make from heavy rope 3 1/2" long (Make 1 set)

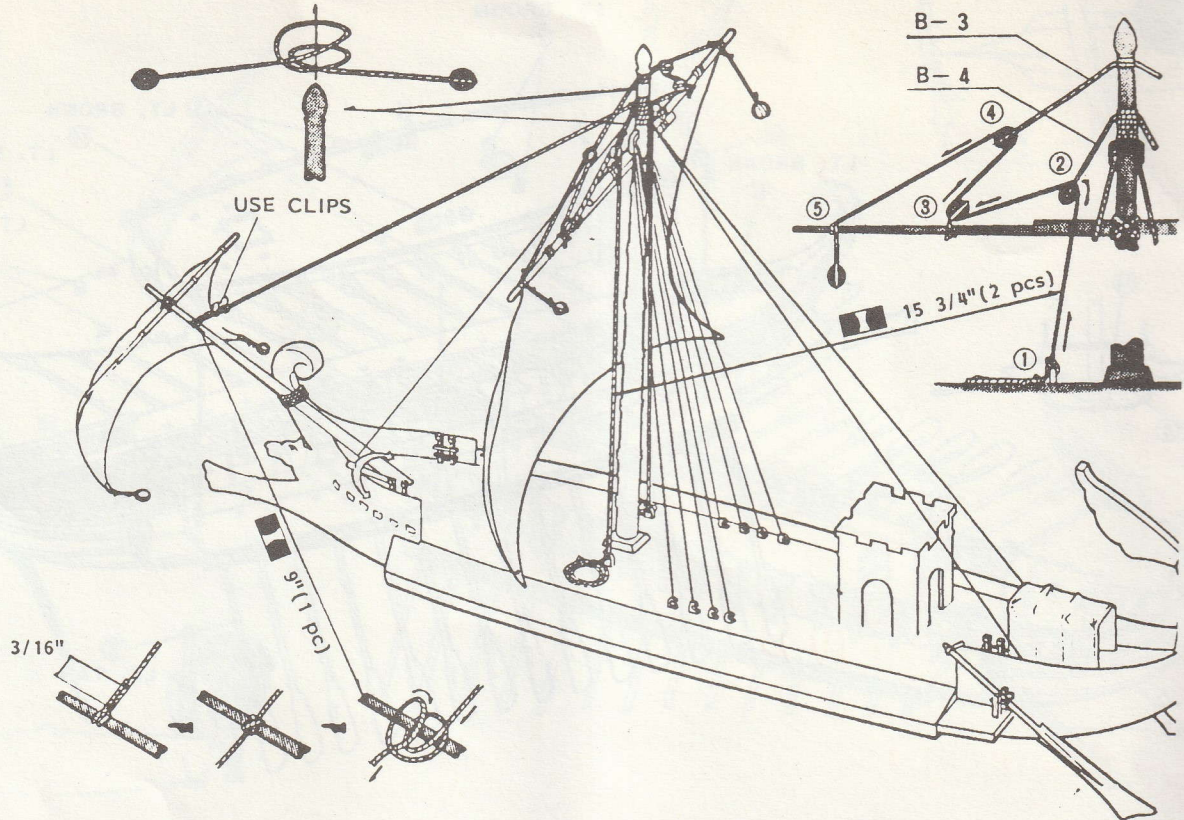
C Detail view showing how thread is attached to blocks. (Use household thread) Use clips to hold thread while cement dries.

D Using household thread 4" long, attach blocks as shown, starting at 1 and finishing at 6.

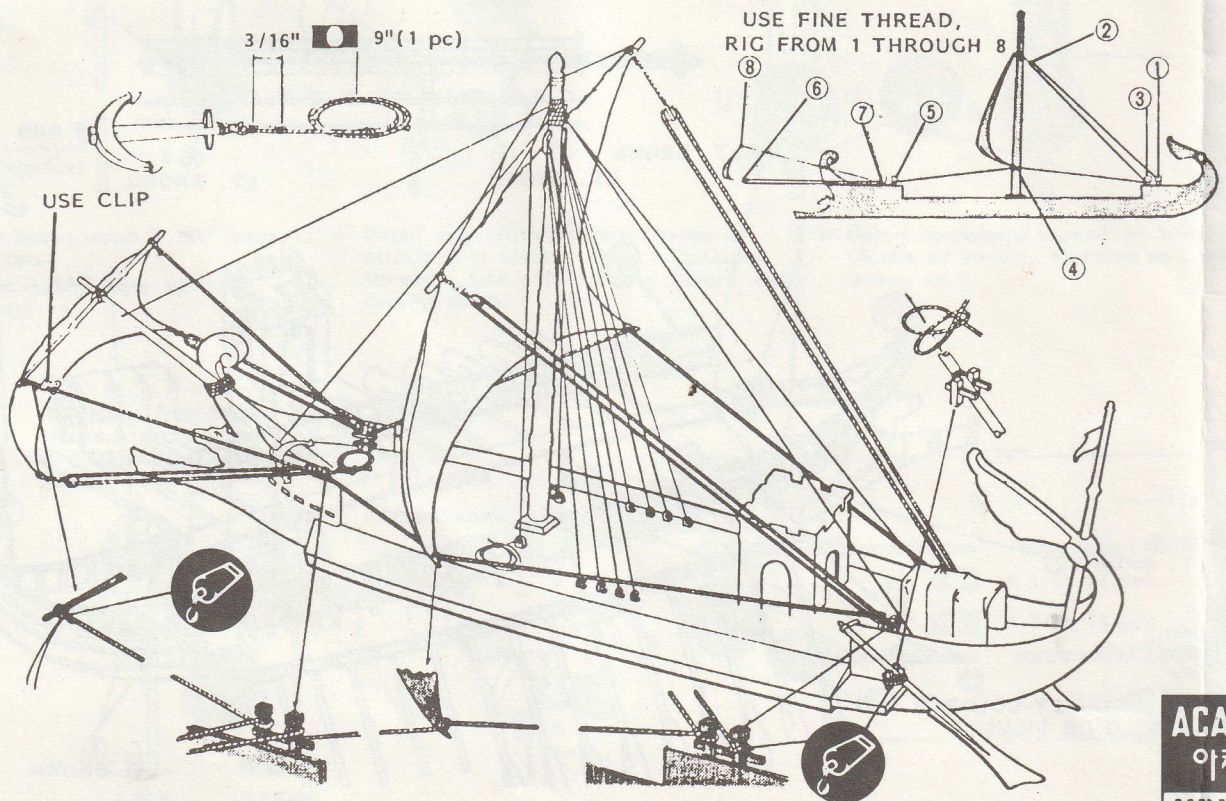
B-1 Make from heavy rope 2 3/8" long (Make 4 sets)
B-2 Make from thin rope 3 1/8" long (Make 2 sets)



10



11



Refer to box top for additional paint and detail information.

1401

ACADEMY
아카데미
MINICRAFT