

## 苏联NKL-16运输雪橇

### Soviet NKL-16 Aerosan

#### READ BEFORE ASSEMBLY:

- Study and understand these instructions thoroughly before beginning assembly
- When needed, remove photo-etch parts carefully using a modeling knife or photo etch sprue cutter, being careful not to damage or lose small parts.
- Take extra care in handling photo etch parts in order to avoid injury
- Apply instant cement sparingly to photo etch parts where instructed
- Tools recommended(not included in kit):Plastic and instant cements, sprue cutters,long nose pliers,modeling knife, small files, tweezers, pin vise & scissors. Soft cloth and sandpaper will also assist in construction
- Glue and paint are not included in the kit. Use plastic cement and hobby paints only. Color guide for purchasing paint is included in the kit.

#### 装配之前仔细阅读

- 小心用模型锉刀锉平所有零件表面的注射浇口。
- 小心用刀片切下蚀刻片零件，不要遗失小零件。
- 用强力快干胶水粘合蚀刻片零件和金属轴。过量快干胶水使用可能导致可动零件会粘住，小心涂胶。
- 取蚀刻片时应特别注意安全，防止利边划伤手指。
- 某些零件表面需贴水上贴纸，请选择在装配的同时进行。
- 推荐模型工具(自备)：胶水，水口剪刀，长咀钳，刀片，锉刀，镊子，钳，钻，剪刀，瞬间快干胶。
- 软布同砂纸同时也应该是必备工具。
- 请使用塑料胶水和油漆，模型内不含。



配重  
Weight



使用强力胶  
Cyanoacrylate glue



钻孔  
Make hole



切除  
Cut / Remove



贴纸  
Decal



锉平  
File / Sand



选择  
Option



不涂胶水  
No cement



弯曲  
Bend

#### 水贴纸的使用:

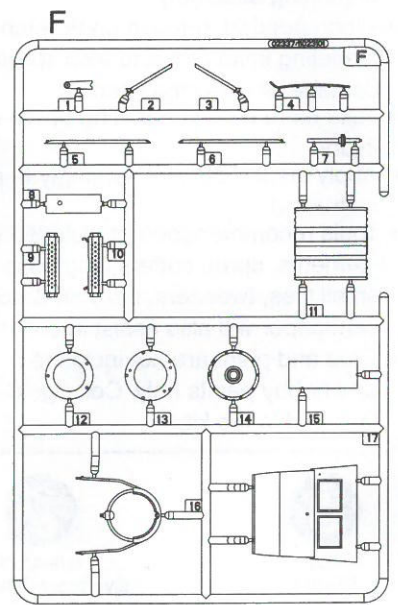
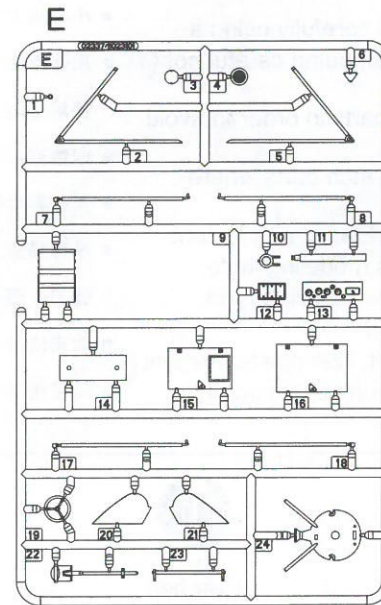
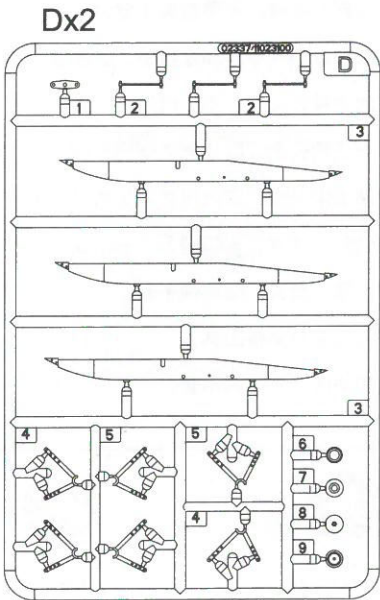
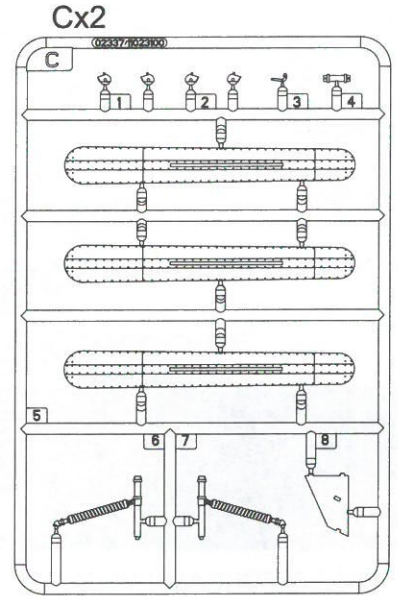
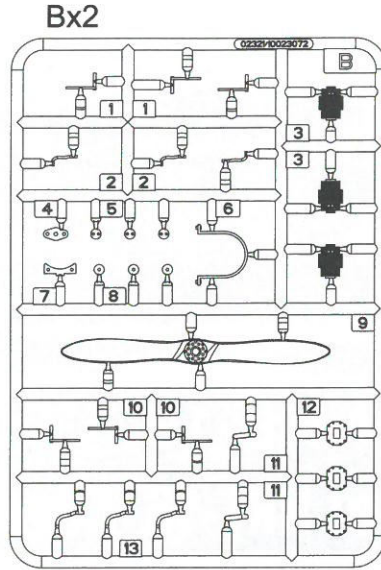
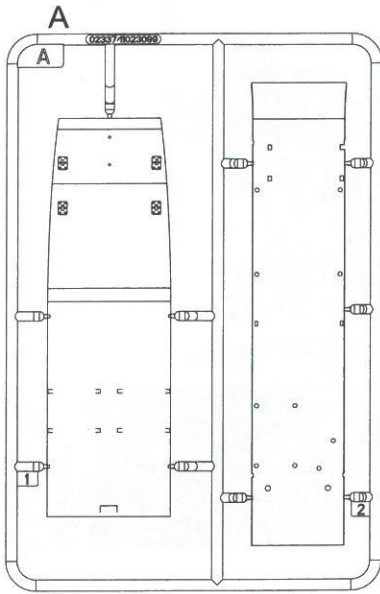
- 1.从水贴纸上剪下印花;
- 2.将印花放入温水中浸10秒,然后放在干净布上。
- 3.拿着印花纸板将印花移到模型上;
- 4.手指蘸水将印花移到适当的位置;
- 5.用软布轻压印花直至水干, 气泡消失

#### DECAL APPLICATION

- 1.Cut decals from sheet as needed
- 2.Dip the decal in warm water for about 10 seconds and then place on soft clean cloth.
- 3.Hold the decal backing sheet edge and gently slide the decal onto the model in its proper position.

- 4.While still wet,decal can be adjusted for better fit on model by dampening it gently with your finger.
- 5.When placed in the proper position,gently press decal down with a soft cloth until excess water and air bubbles are gone.
- 6.Allow decal to dry completely before handling model

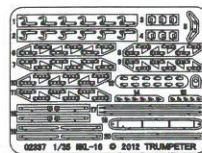
# 部品图 Parts



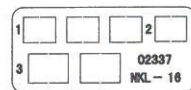
《车体》  
Hull



《蚀刻片》  
PE



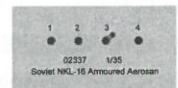
《透明片》  
Transparent part



《铜丝》 $\varnothing$  0.4x80mm  
Brass wires



《水贴》  
Decal

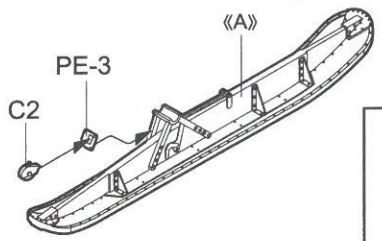
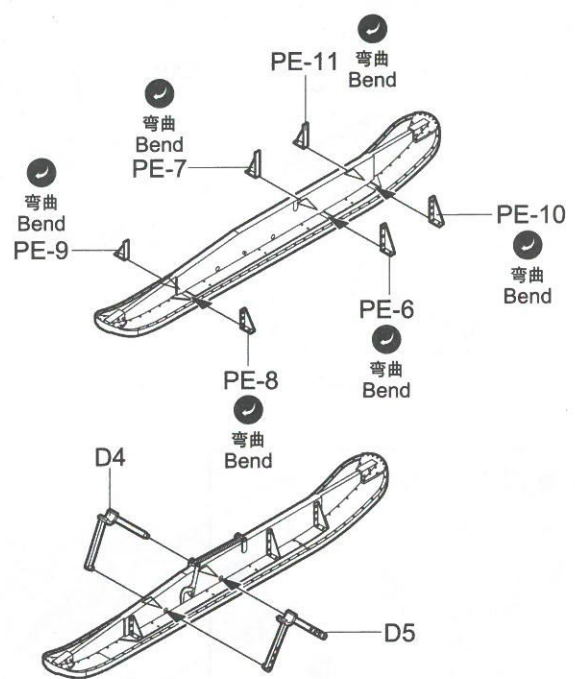
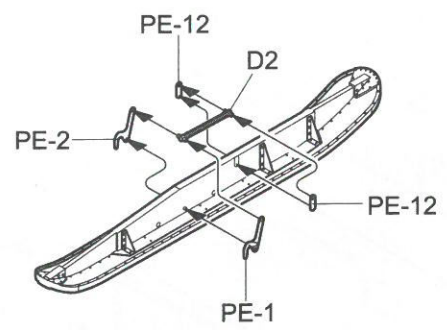
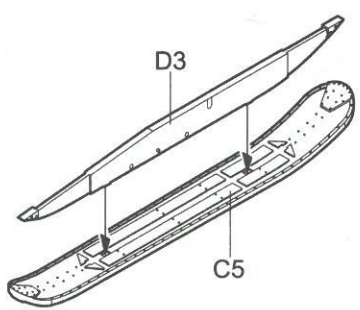


不用部品: B4. B6. B7. C1X1. C2X1. C4X1. C5X1. D2X1. D3X1.  
D4X1. D5X1. D6X1. D7X1. D8X1. D9X1

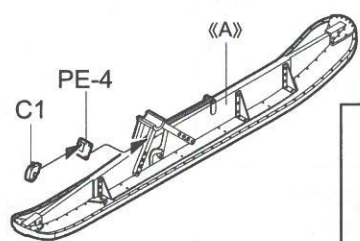
Unused parts:

1

《A》  
制作5组  
Make five

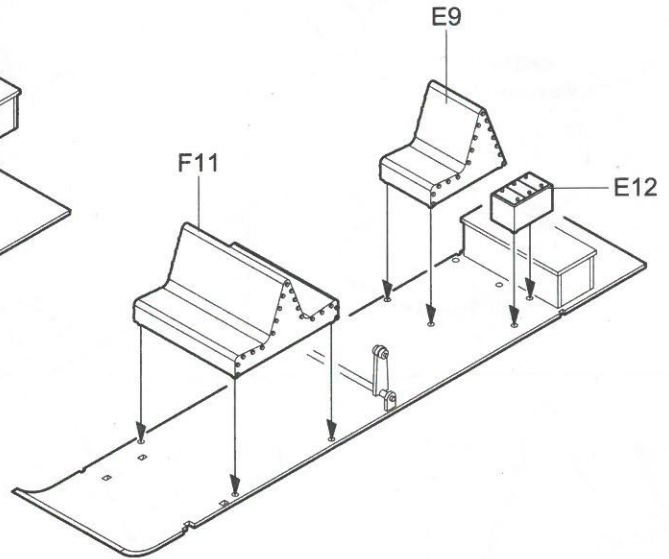
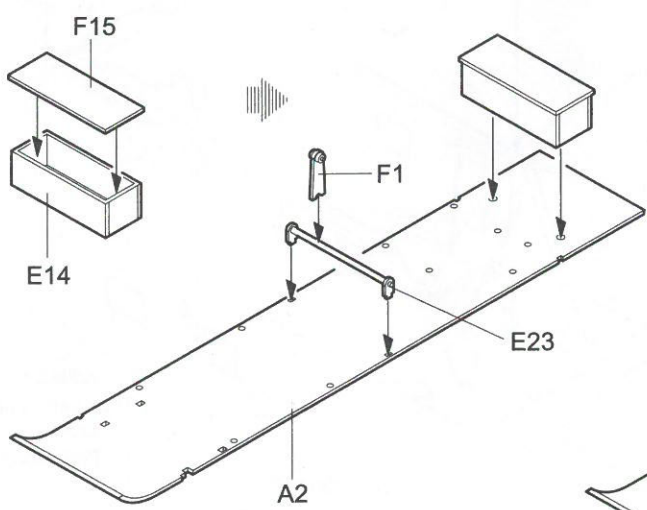


《B》  
制作3组  
Make three

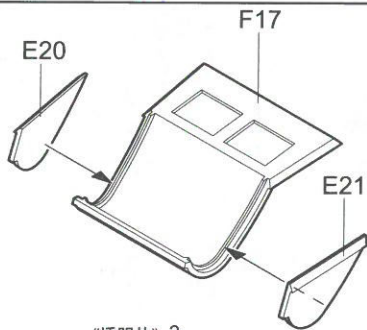
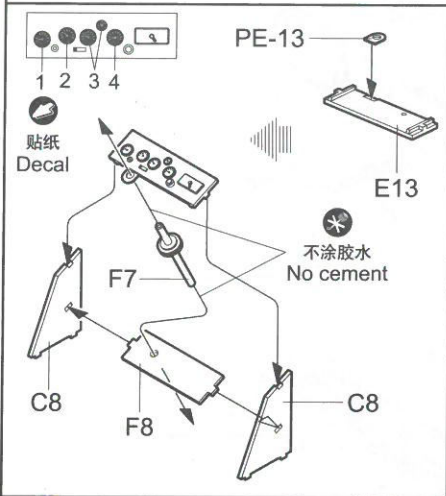
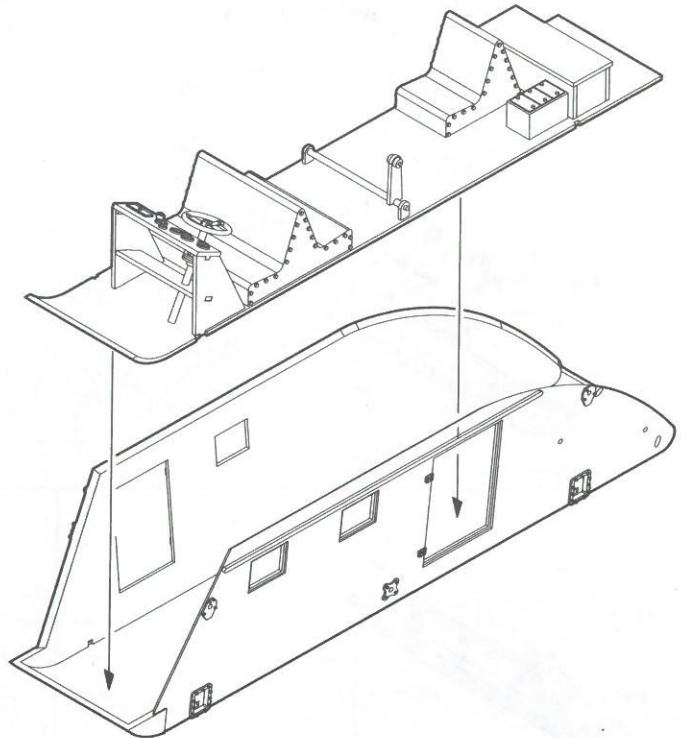
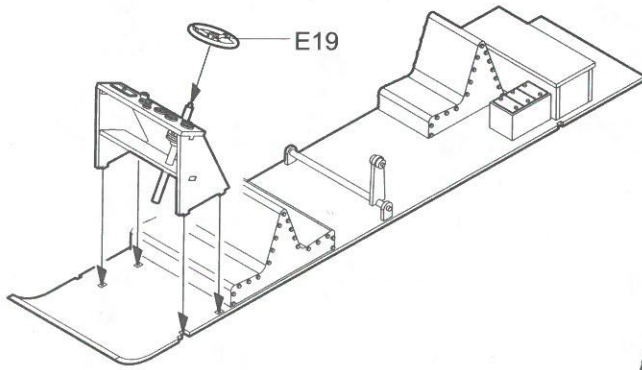


《C》  
制作2组  
Make two

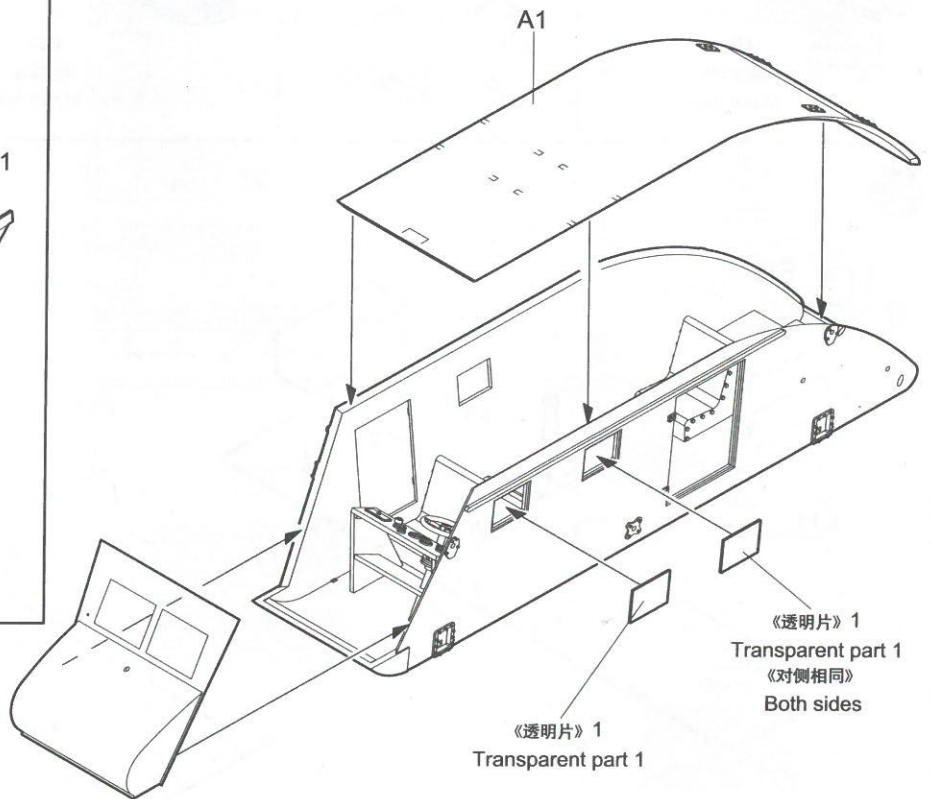
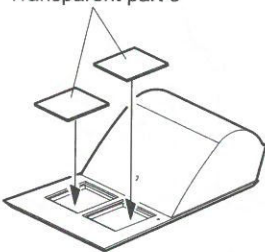
2



3

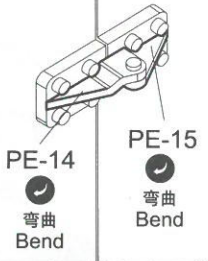
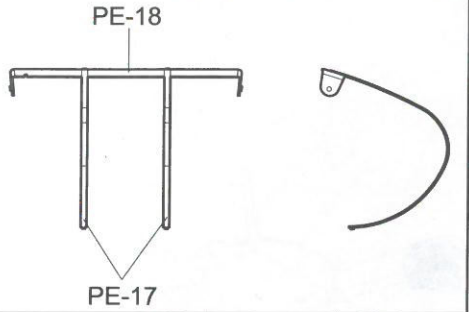
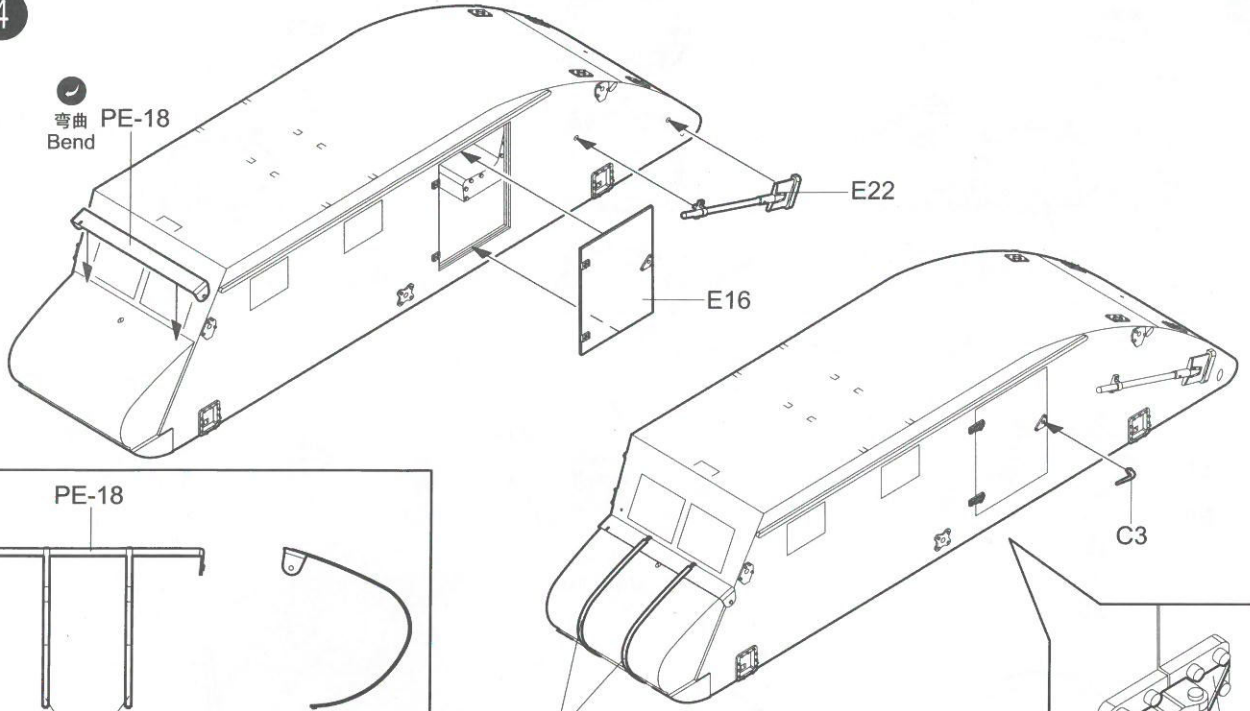


《透明片》3  
Transparent part 3



4

弯曲 PE-18  
Bend

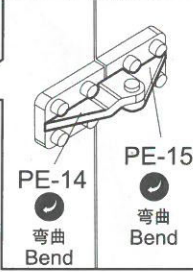
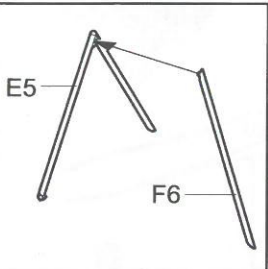
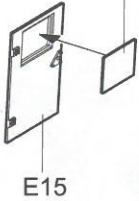
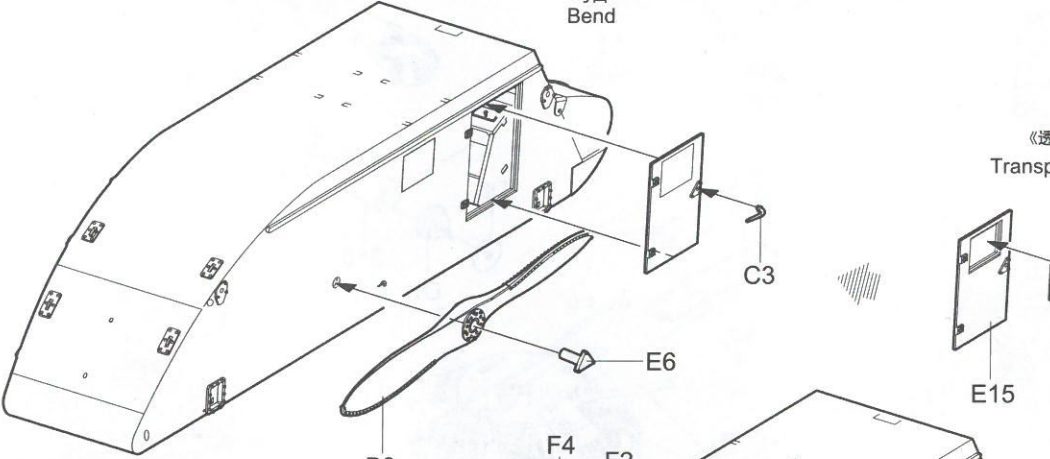


PE-17  
弯曲  
Bend

PE-14  
弯曲  
Bend

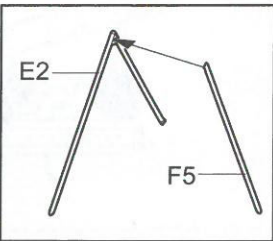
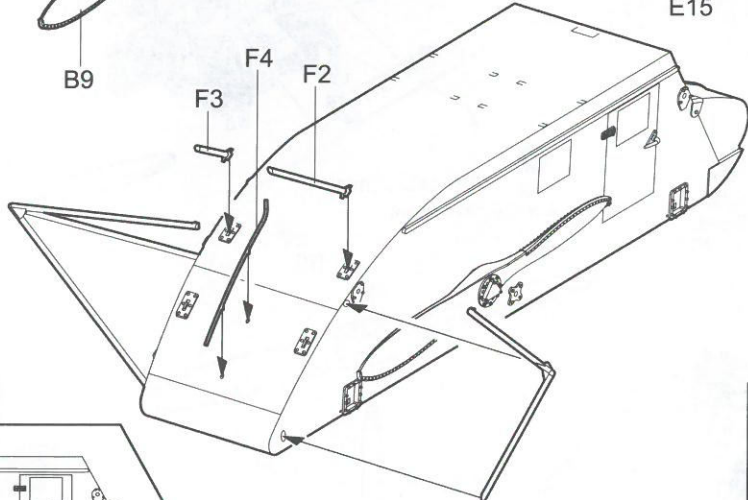
PE-15  
弯曲  
Bend

《透明片》2  
Transparent part 2



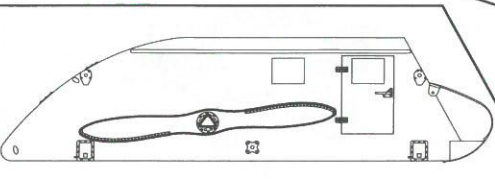
PE-14  
弯曲  
Bend

PE-15  
弯曲  
Bend



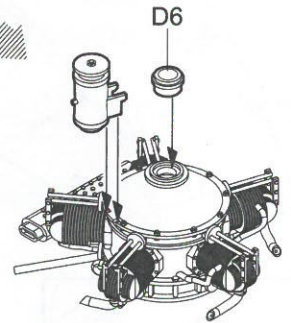
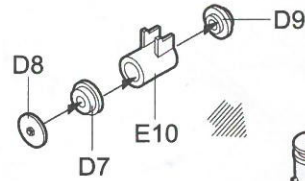
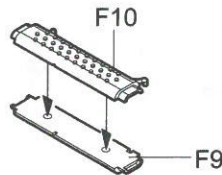
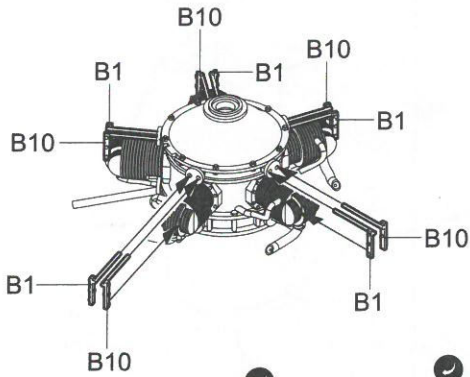
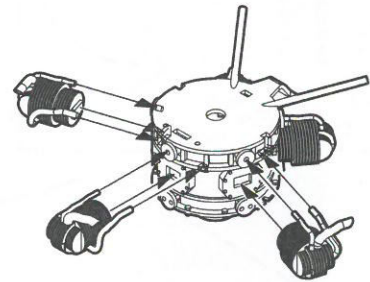
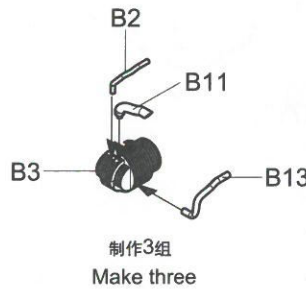
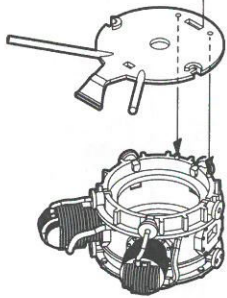
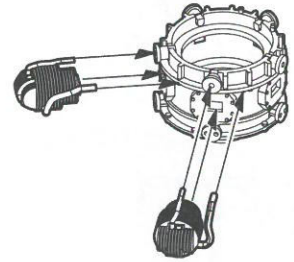
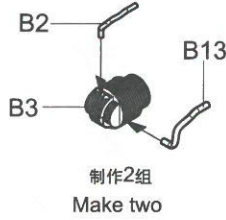
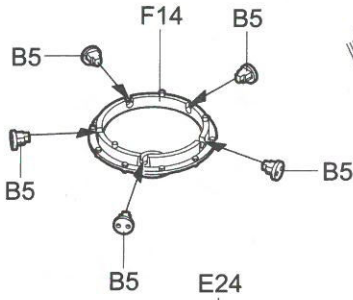
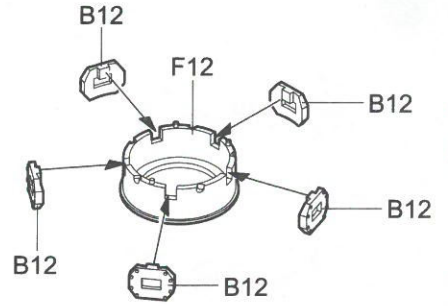
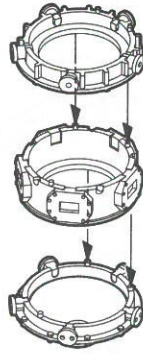
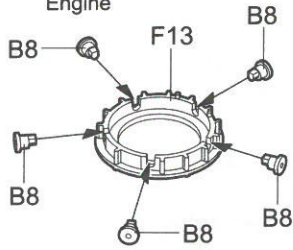
E2

F5



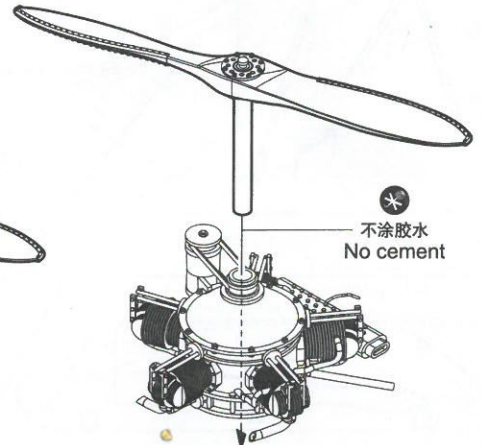
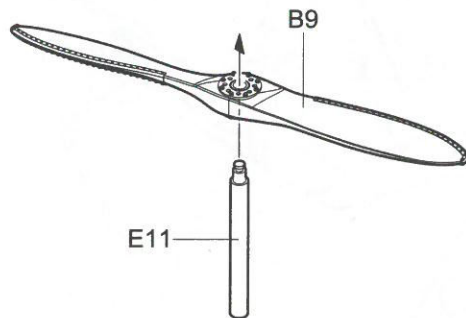
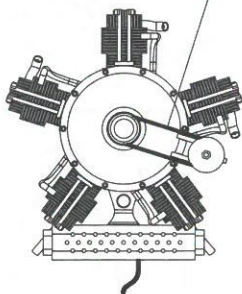
5

《发动机》  
Engine



弯曲  
Bend  
PE-20

弯曲 《铜丝》 $\varnothing 0.4 \times 5 \text{mm}$   
Bend Brass wires



6

《发动机》  
Engine

弯曲  
Bend  
《铜丝》 Ø0.4x5mm  
Brass wires

E1

E3

E4

弯曲  
Bend

F16

PE-5

C7

E18

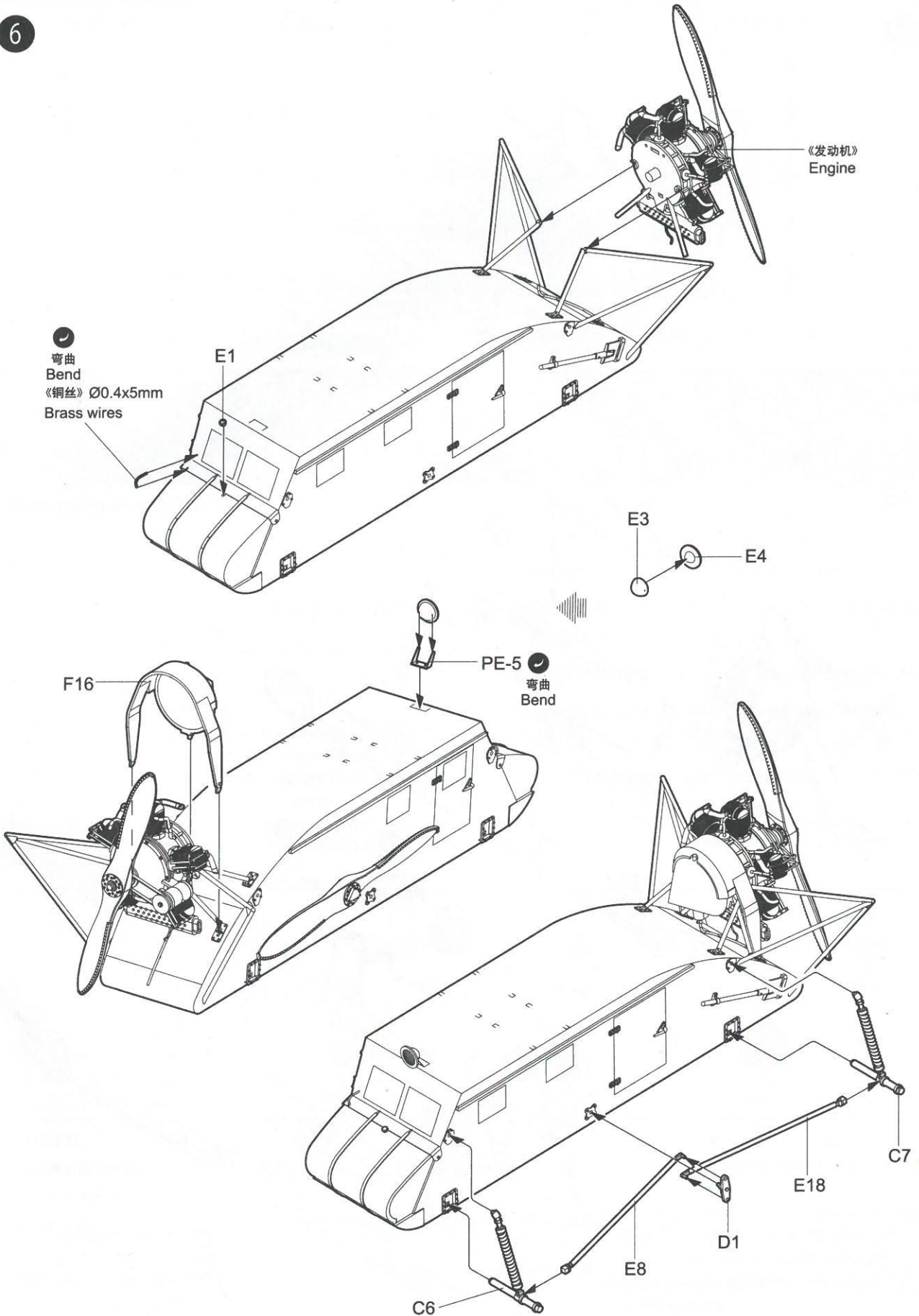
D1

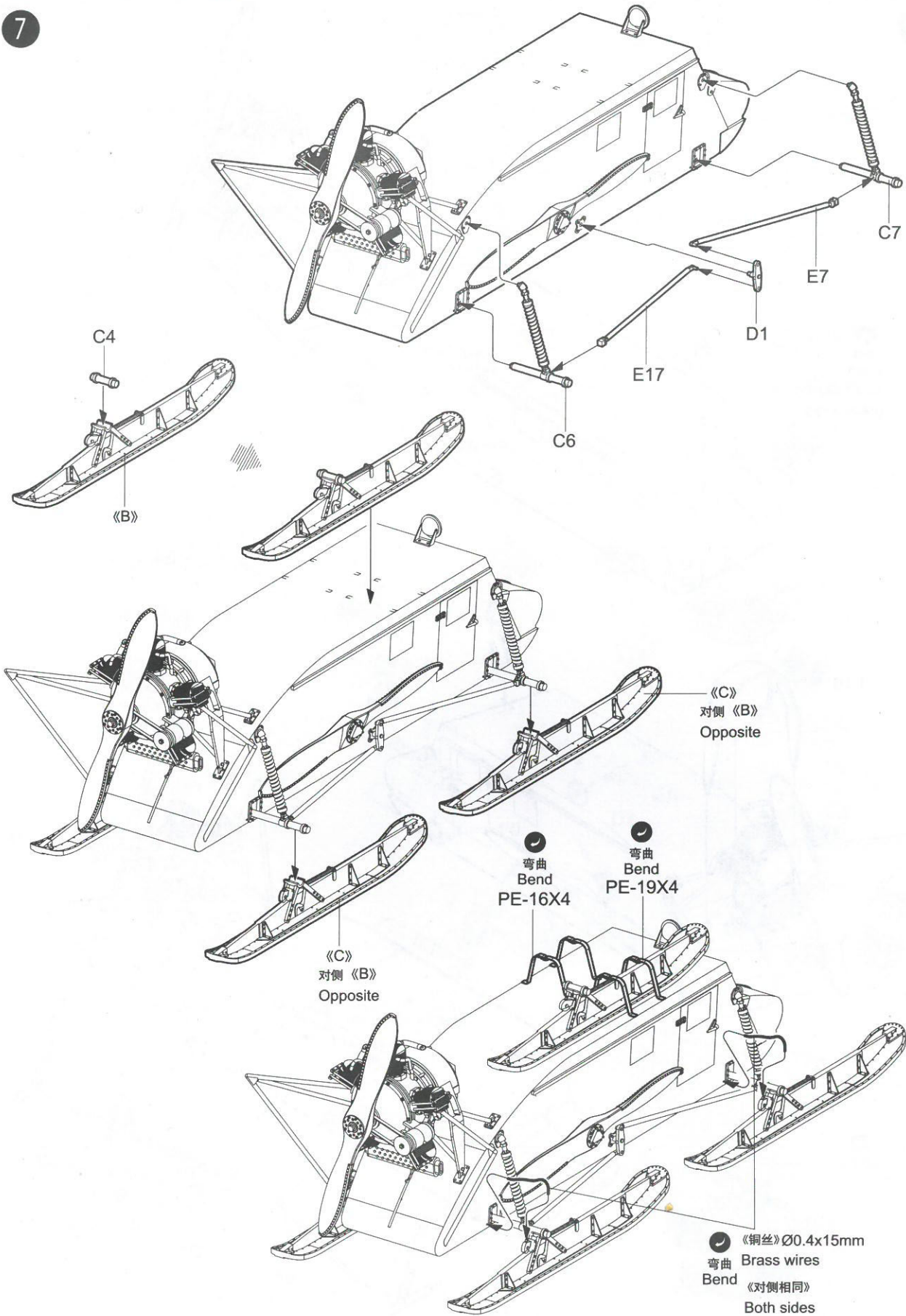
E8

C6

7

02337



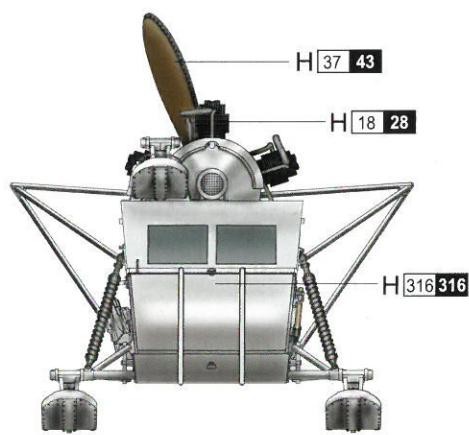
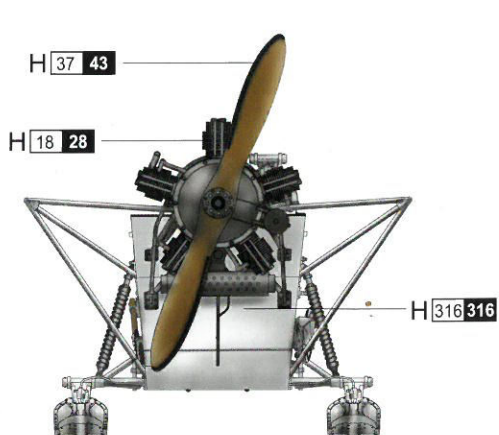
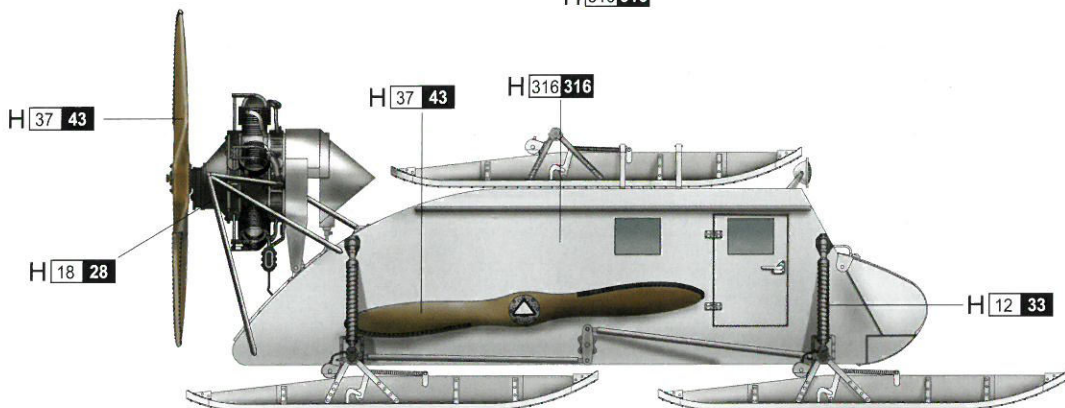
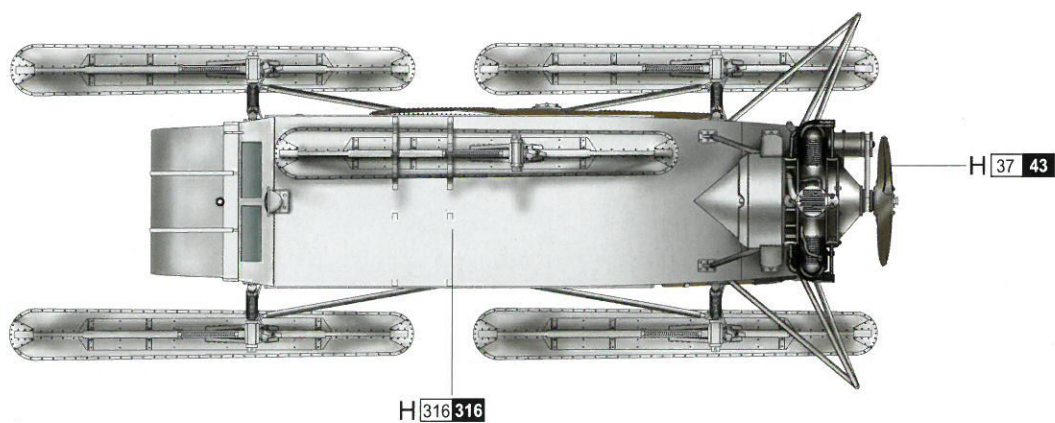
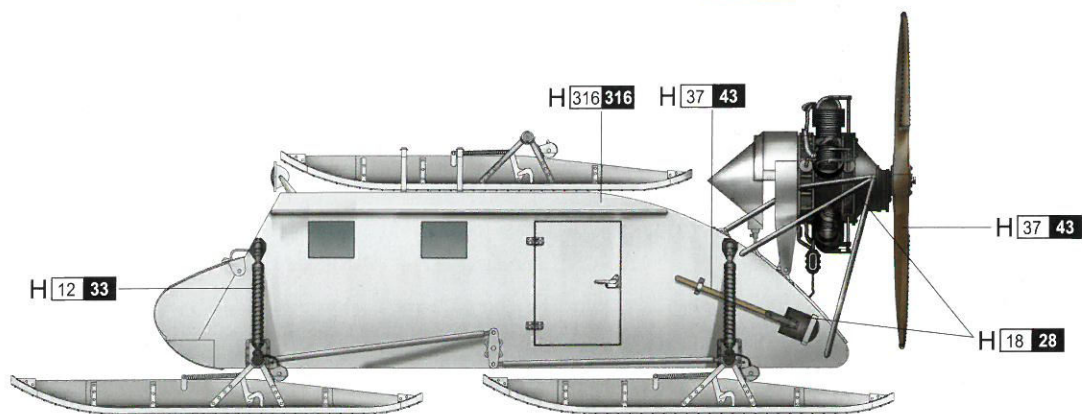


# 涂装同标贴指示

## Painting & Marking guide

### PAINT REFERENCE COLOUR

Color	Mr.Hobby	Vallejo	Model Master	Tamiya	Humbrol
White Insignia 白色	H 316 316	991	1745	X2	22
Flat Black 消光黑	H 12 33	950	1749	XF1	33
Steel 黑铁色	H 18 28	864	1402	-	-
Wood Brown 木棕色	H 37 43	983	1701	-	186



H  AQUEOUS HOBBY COLOR    ■ Mr. COLOR