

# Russian BTR-60PU

## 俄罗斯BTR-60PU型装甲指挥车

### READ BEFORE ASSEMBLY:

- Study and understand these instructions thoroughly before beginning assembly
- When needed, remove photo-etch parts carefully using a modeling knife or photo etch sprue cutter, being careful not to damage or lose small parts.
- Take extra care in handling photo etch parts in order to avoid injury
- Apply instant cement sparingly to photo etch parts where instructed
- Tools recommended(not included in kit):Plastic and instant cements, sprue cutters,long nose pliers,modeling knife, small files, tweezers, pin vise & scissors. Soft cloth and sandpaper will also assist in construction
- Glue and paint are not included in the kit. Use plastic cement and hobby paints only. Color guide for purchasing paint is included in the kit.

### 装配之前仔细阅读

- 小心用模型锉刀锉平所有零件表面的注射浇口。
- 小心用刀片切下蚀刻片零件，不要遗失小零件。
- 用强力快干胶水粘合蚀刻片零件和金属轴。过量快干胶水使用可能导致可动零件会粘住，小心涂胶。
- 取蚀刻片时应特别注意安全，防止利边划伤手指。
- 某些零件表面需贴上水贴纸，请选择在装配的同时进行。
- 推荐模型工具(自备)：胶水，水口剪刀，长咀钳，刀片，锉刀，镊子，钳，钻，剪刀，瞬间快干胶。
- 软布同砂纸同时也应该是必备工具。
- 请使用塑料胶水和油漆，模型内不含。



配重  
Weight



使用强力胶  
Cyanoacrylate glue



钻孔  
Make hole



切除  
Cut / Remove



贴纸  
Decal



锉平  
File / Sand



选择  
Option



不涂胶水  
No cement



弯曲  
Bend

### 水贴纸的使用:

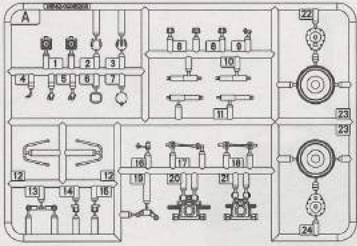
- 1.从水贴纸上剪下印花;
- 2.将印花放入温水中浸10秒,然后放在干净布上。
- 3.拿着印花纸板将印花移到模型上;
- 4.手指蘸水将印花移到适当的位置;
- 5.用软布轻压印花直至水干,汽泡消失

### DECAL APPLICATION

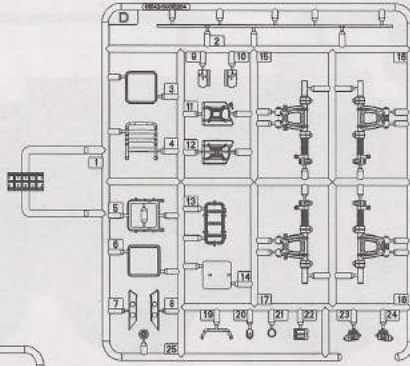
- 1.Cut decals from sheet as needed
- 2.Dip the decal in warm water for about 10 seconds and then place on soft clean cloth.
- 3.Hold the decal backing sheet edge and gently slide the decal onto the model in its proper position.
- 4.While still wet,decal can be adjusted for better fit on model by dampening it gently with your finger.
- 5.When placed in the proper position,gently press decal down with a soft cloth until excess water and air bubbles are gone.
- 6.Allow decal to dry completely before handling model

# 部品图 Parts

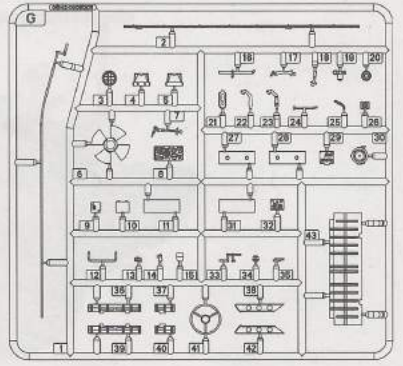
AX4



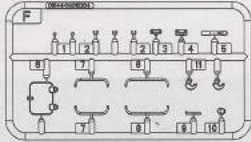
DX2



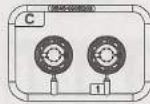
G



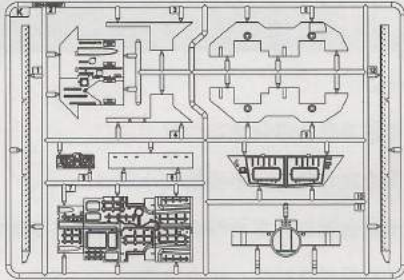
FX2



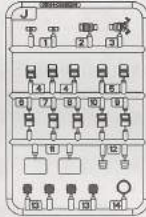
CX4



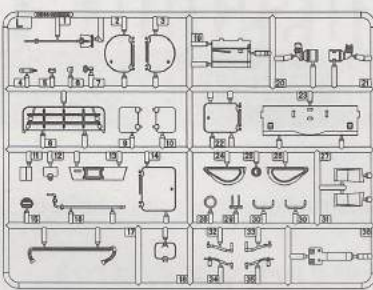
K



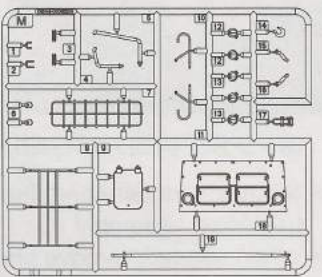
J



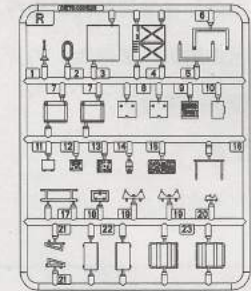
L



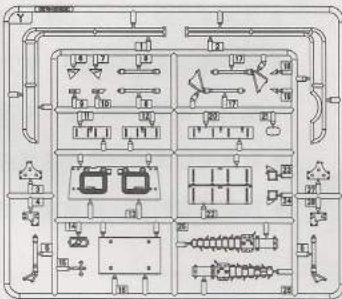
M



RX2



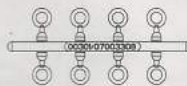
Y



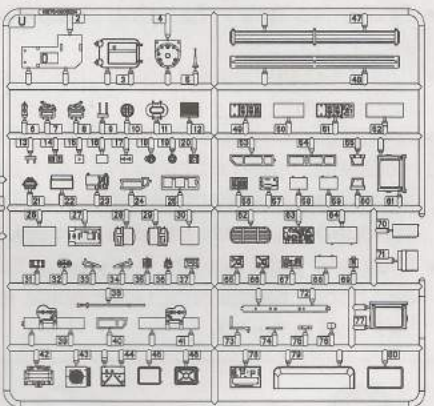
《轮胎》  
Tyrex8



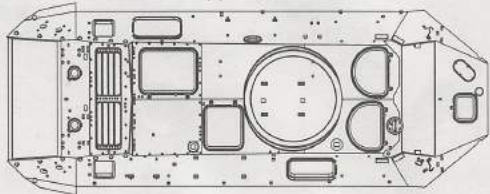
《聚乙烯套》  
Poly cap



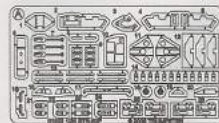
U



《车面》  
Upper hull



《蚀刻片》  
PE-A



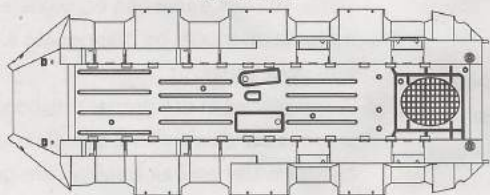
《铜丝》  
Ø0.7x50mm  
Copper wire



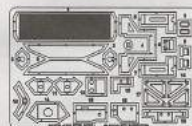
《铜丝》  
Ø0.4x350mm  
Copper wire



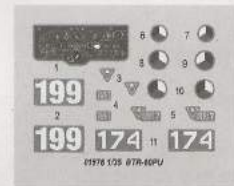
《车底》  
Lower hull



《蚀刻片》  
PE-B

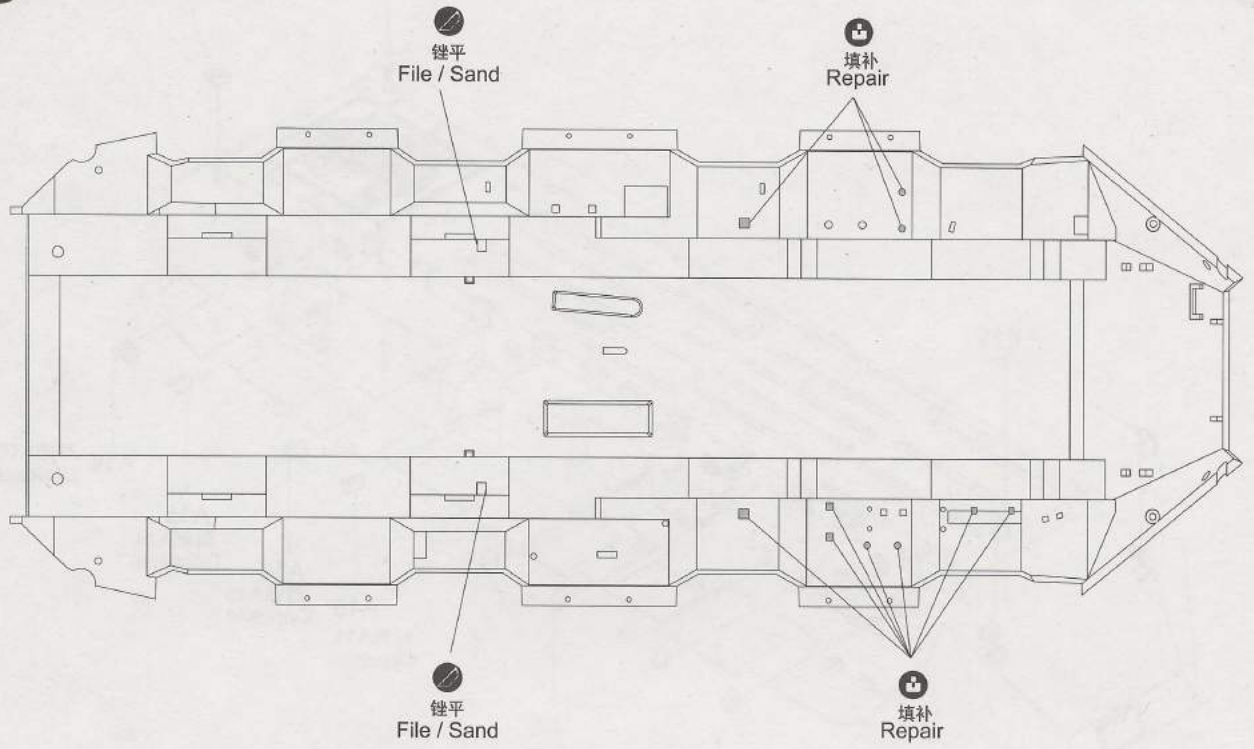


《水贴纸》  
Decal

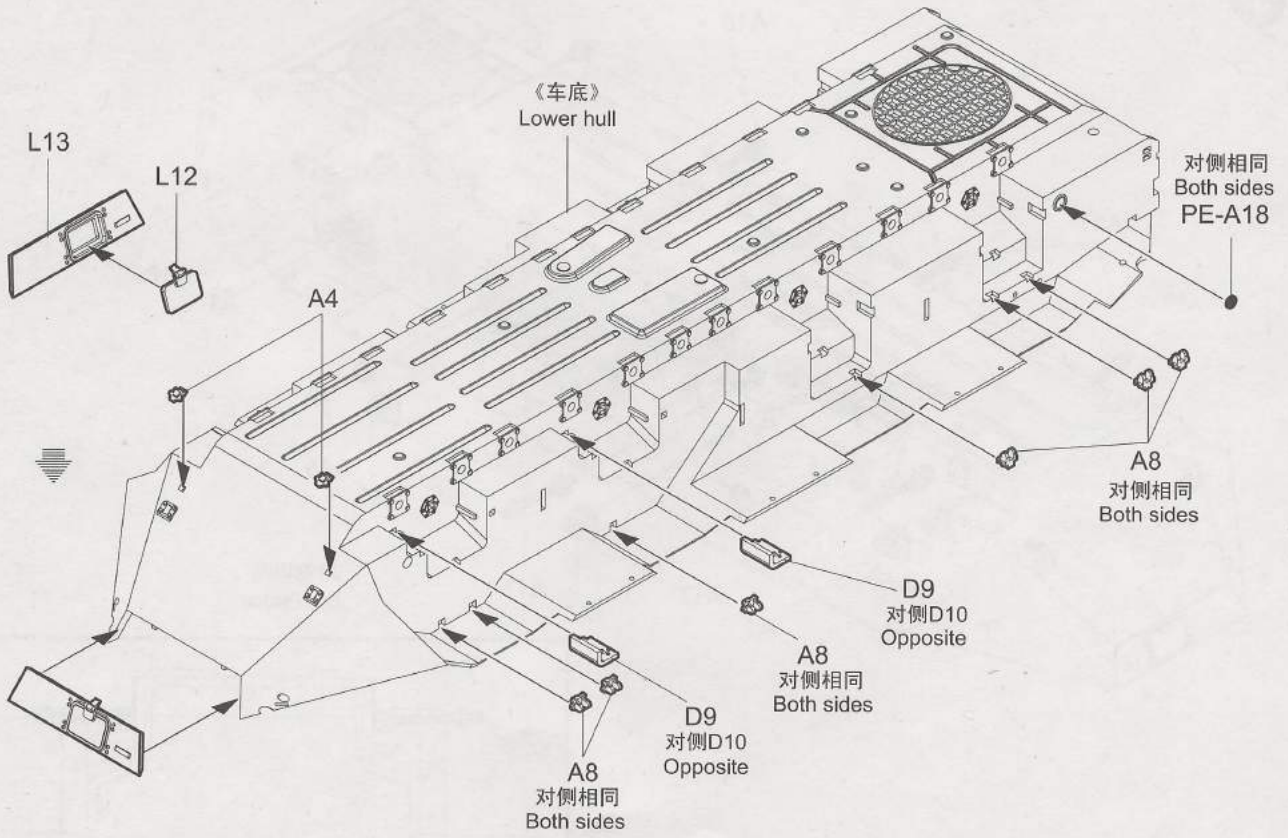


不用部品: J1、J2、PE-A1、PE-A2、PE-A4、PE-A5、PE-A9、PE-A11、PE-A12、PE-A13、PE-A23、PE-A24  
Unused parts

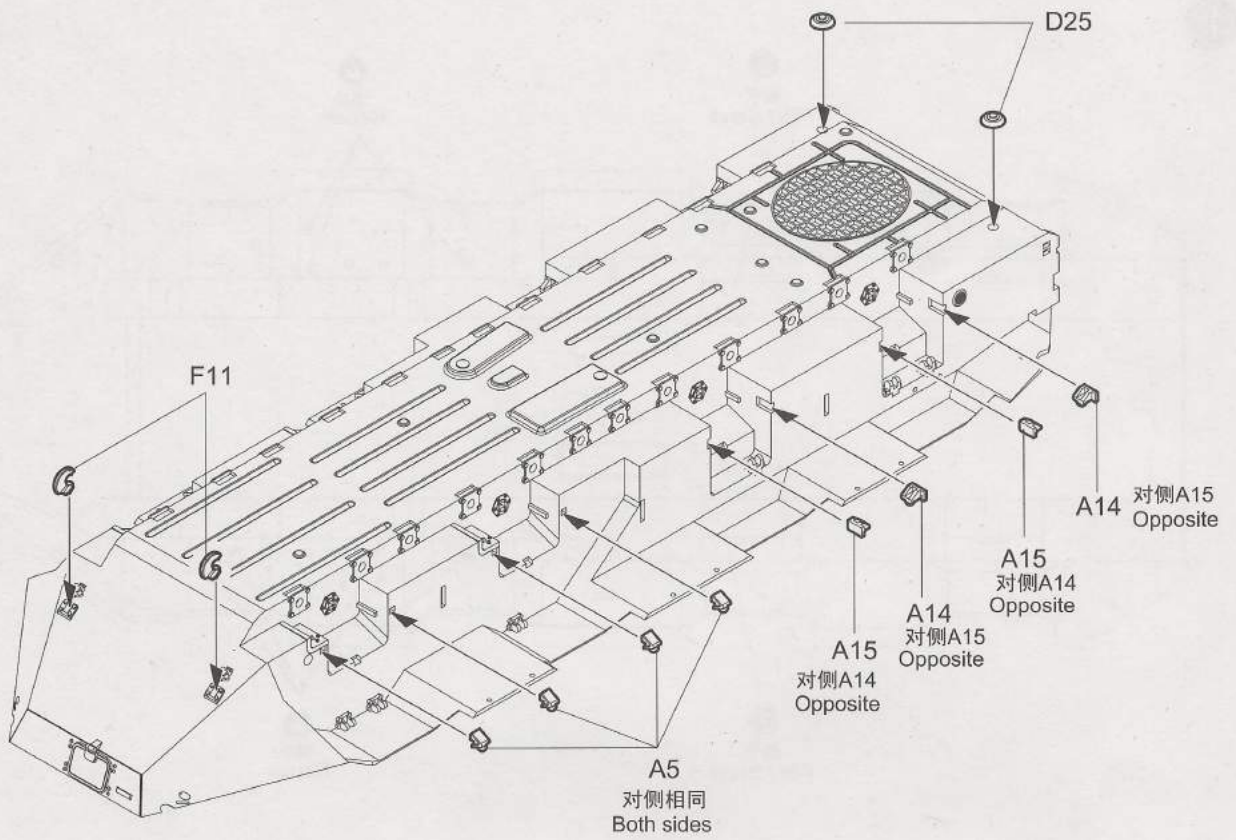
1



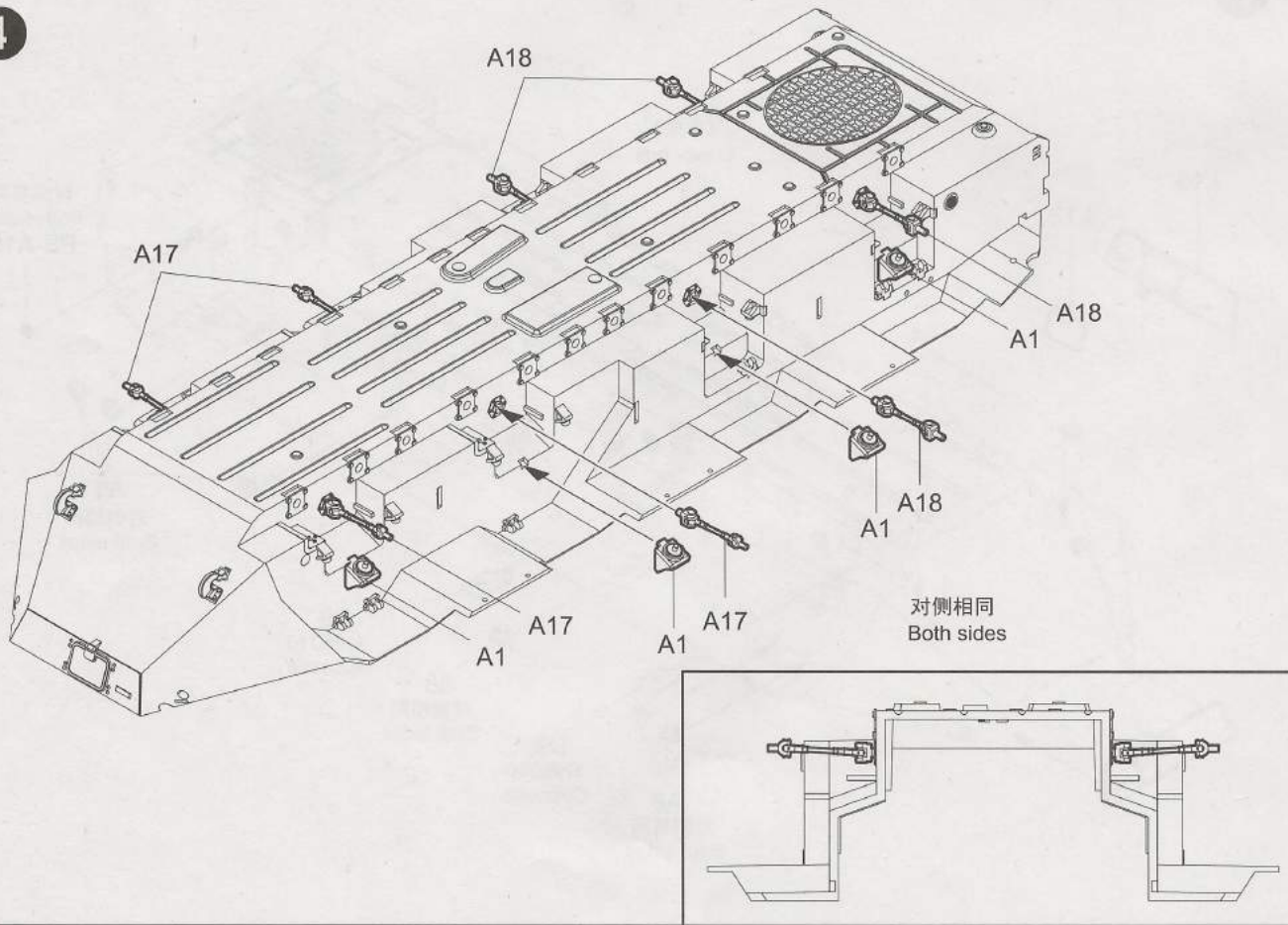
2



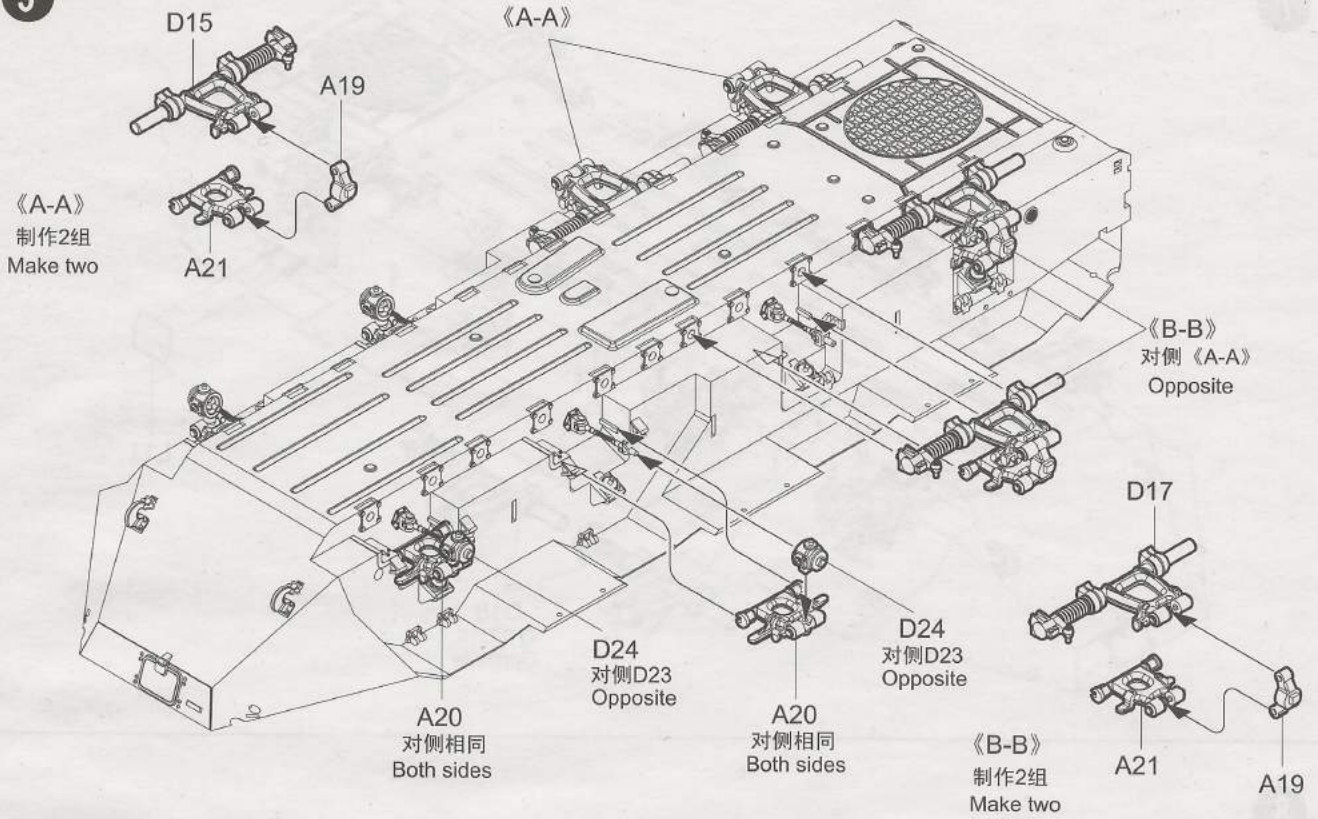
3



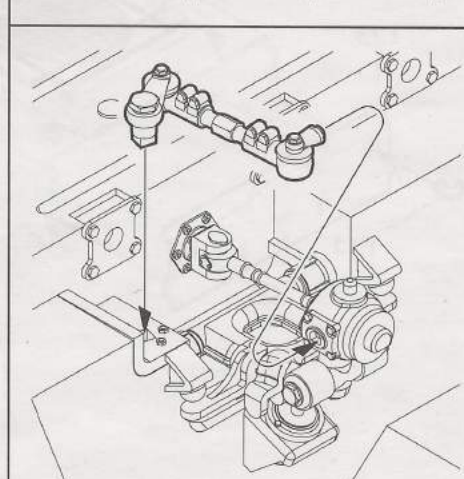
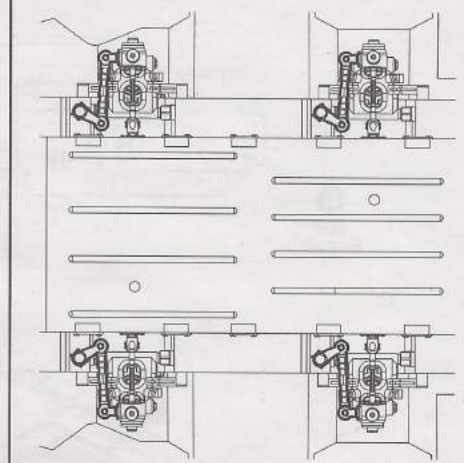
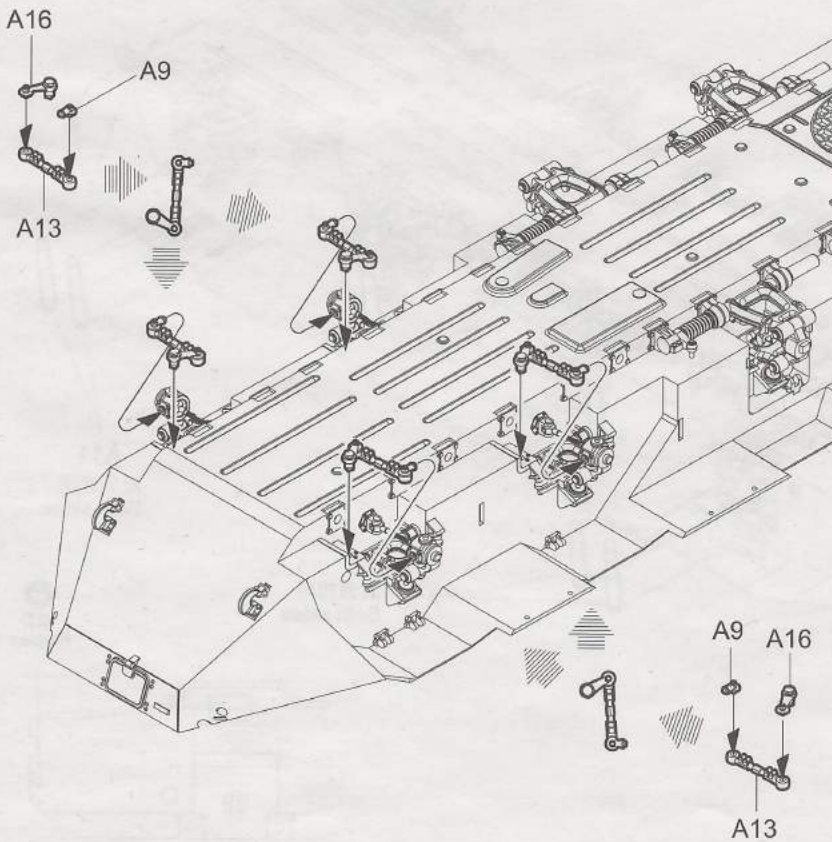
4



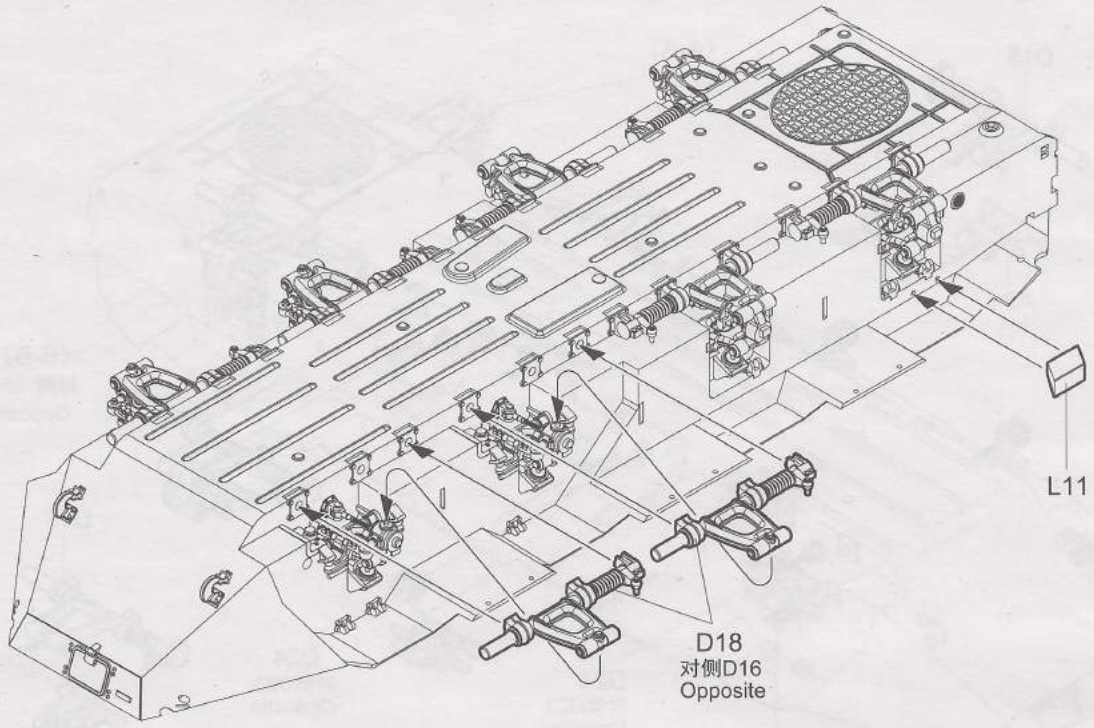
5



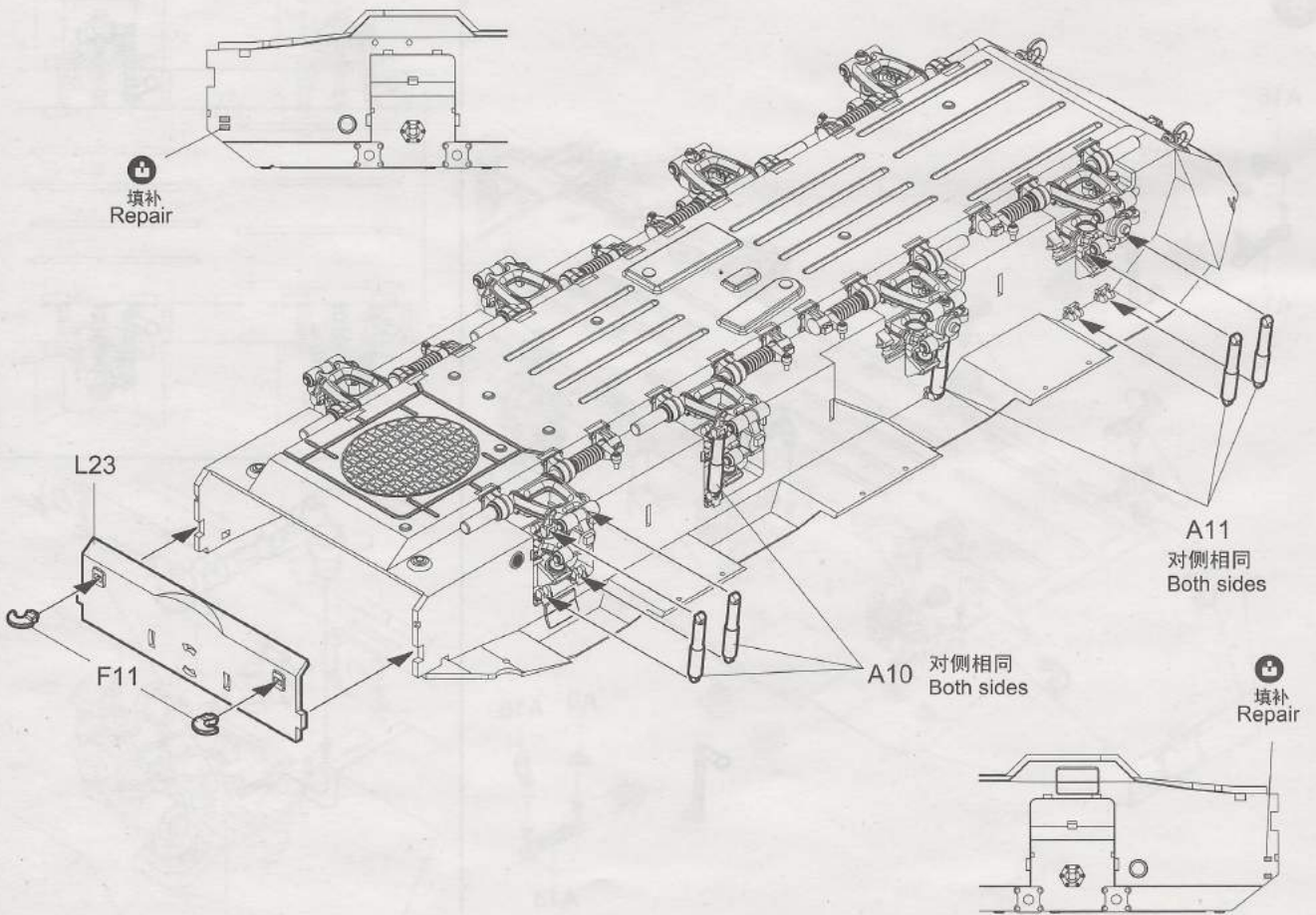
6



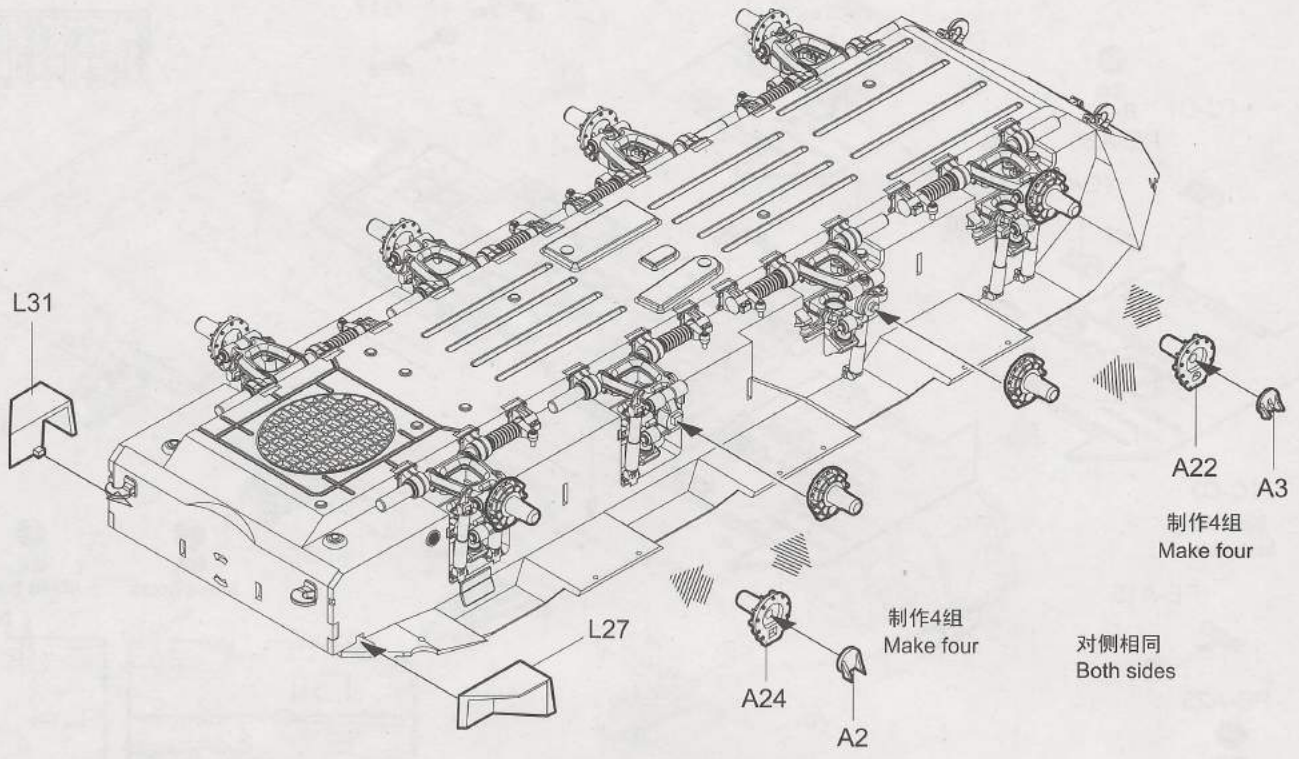
7



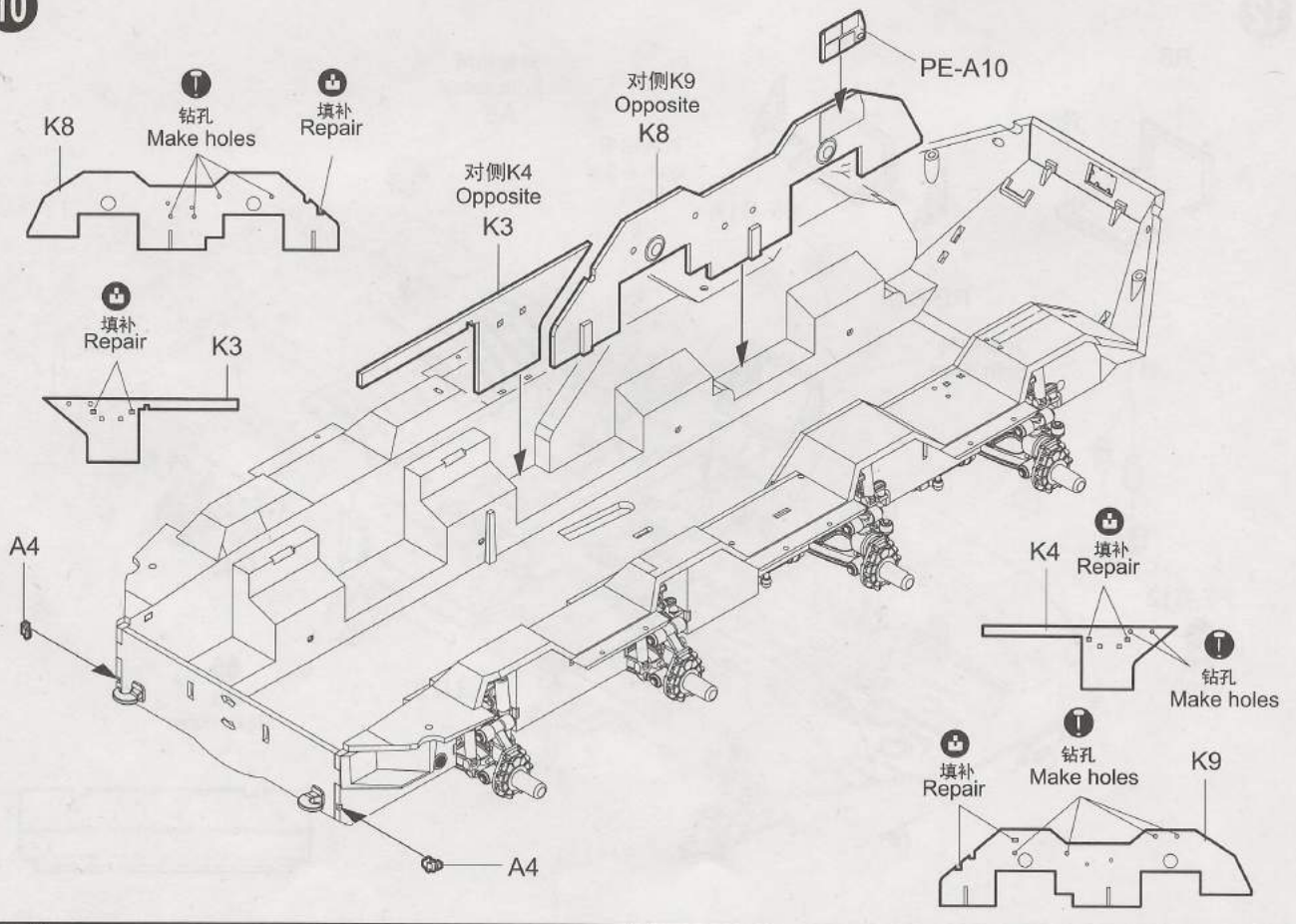
8



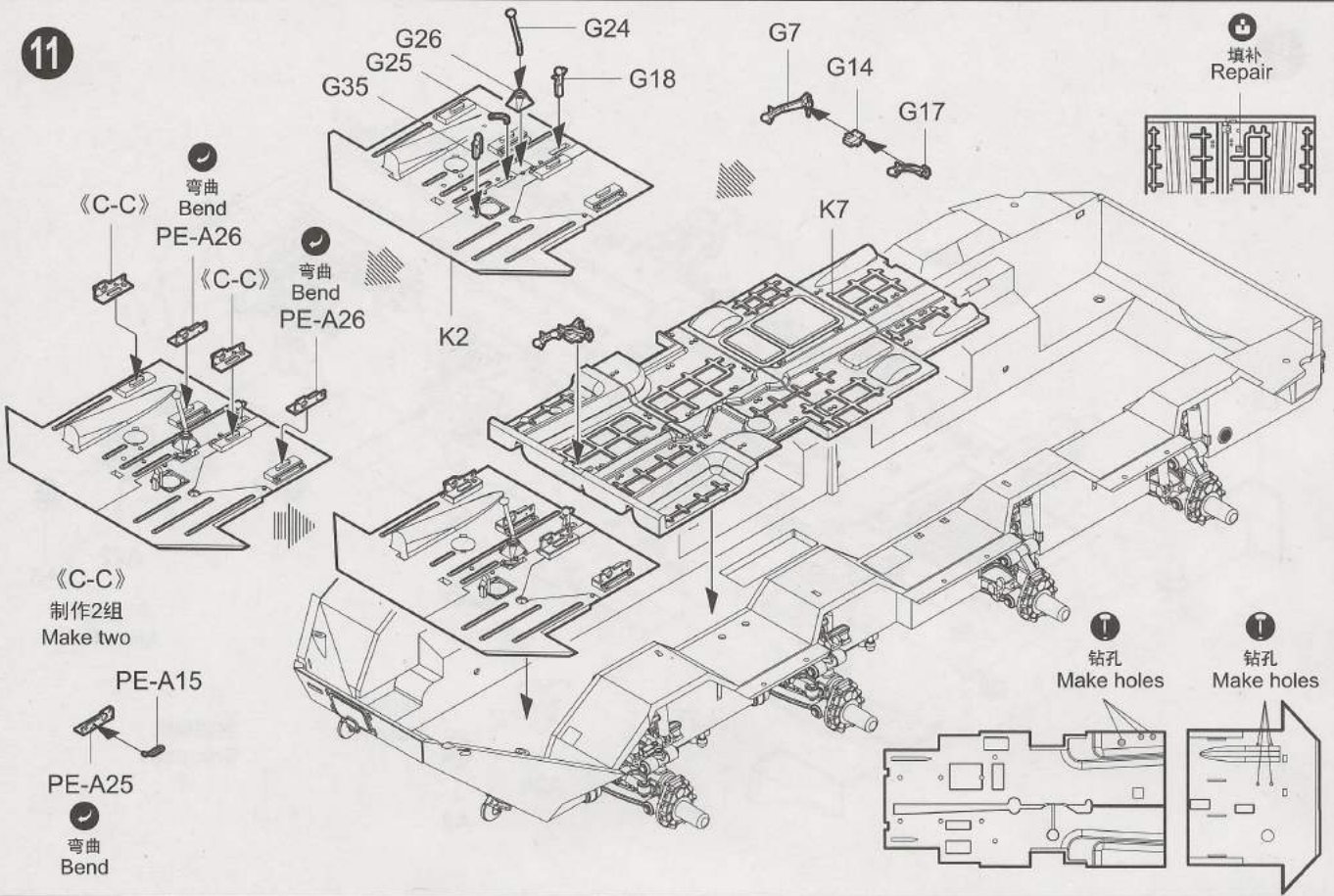
9



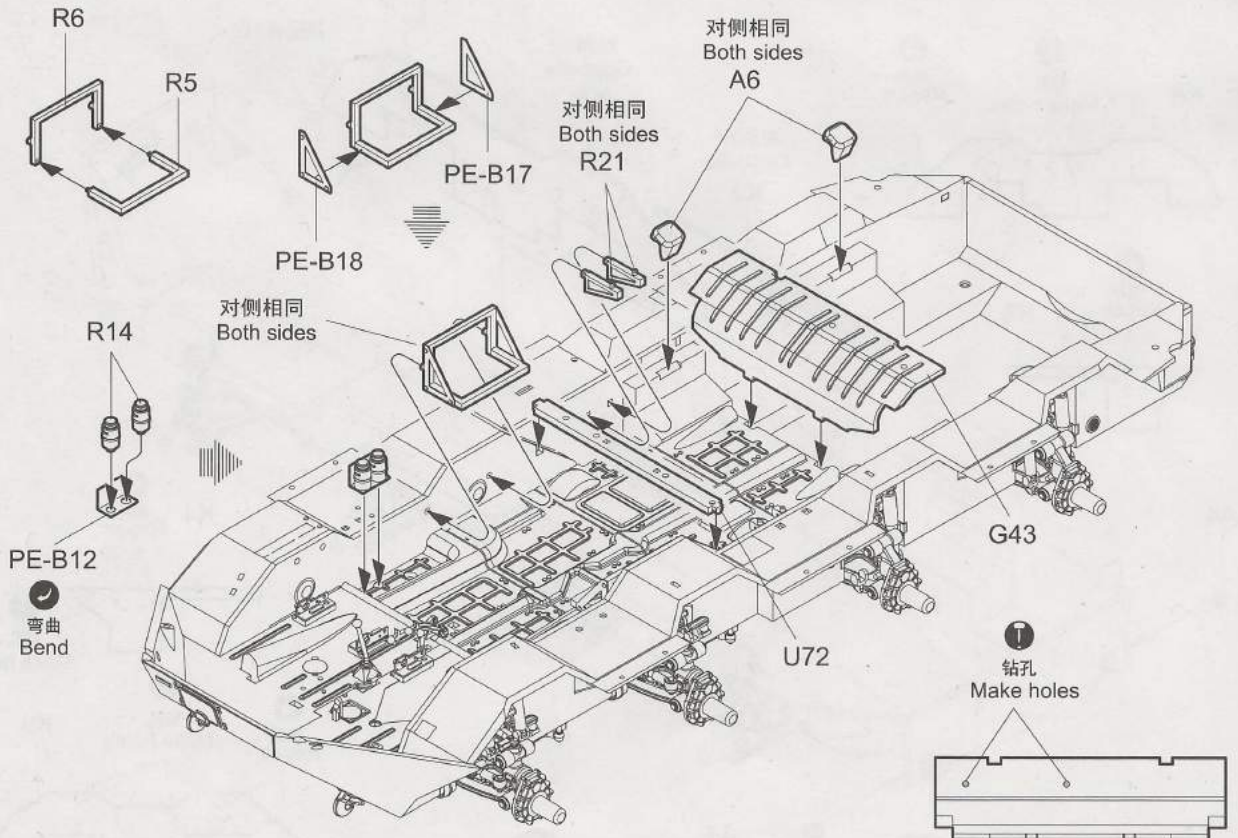
10



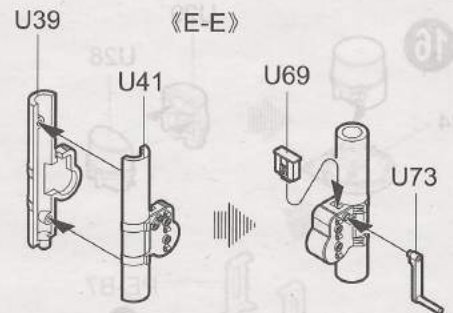
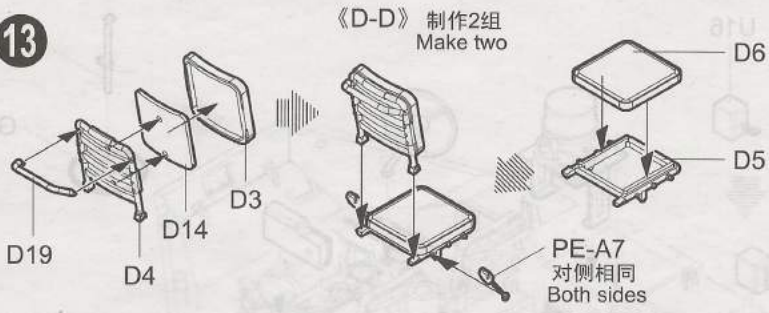
11



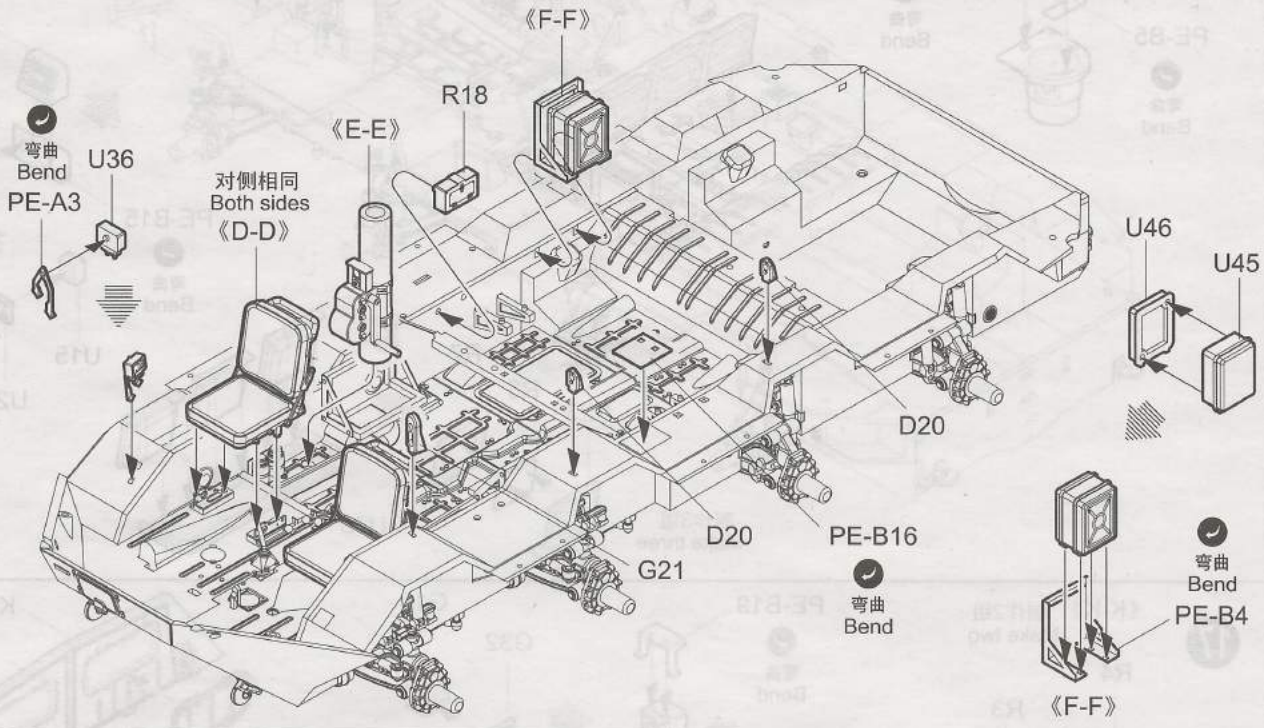
12



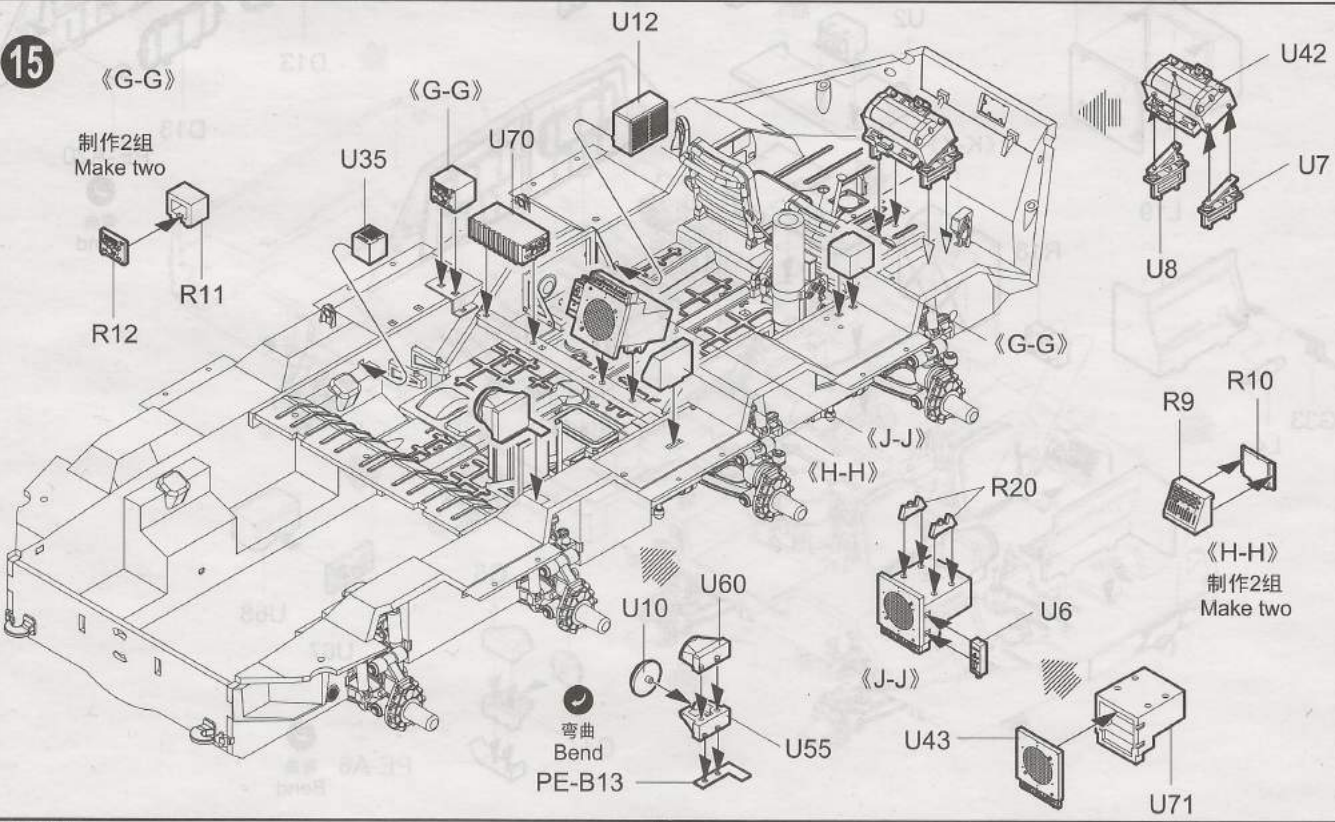
13

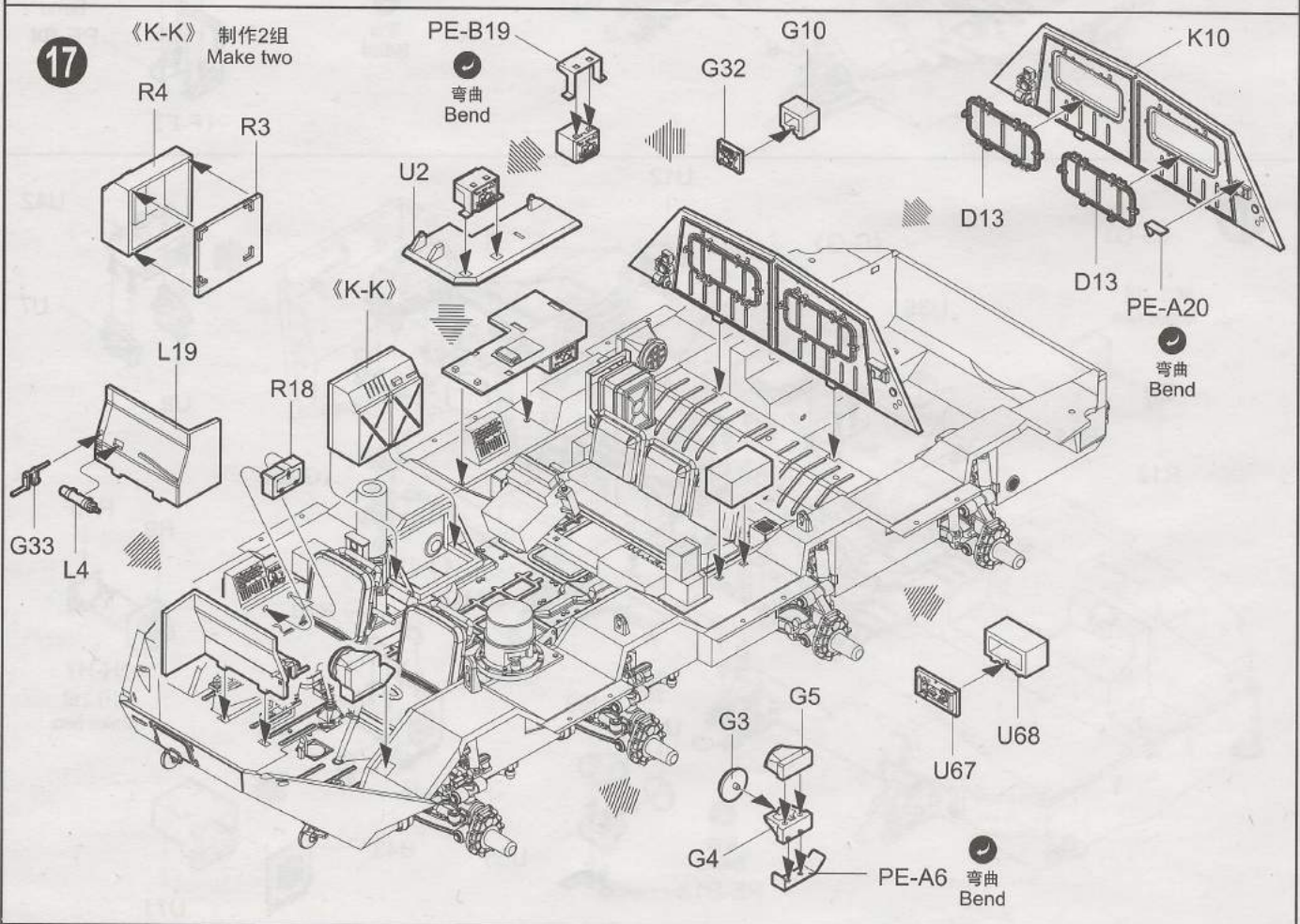
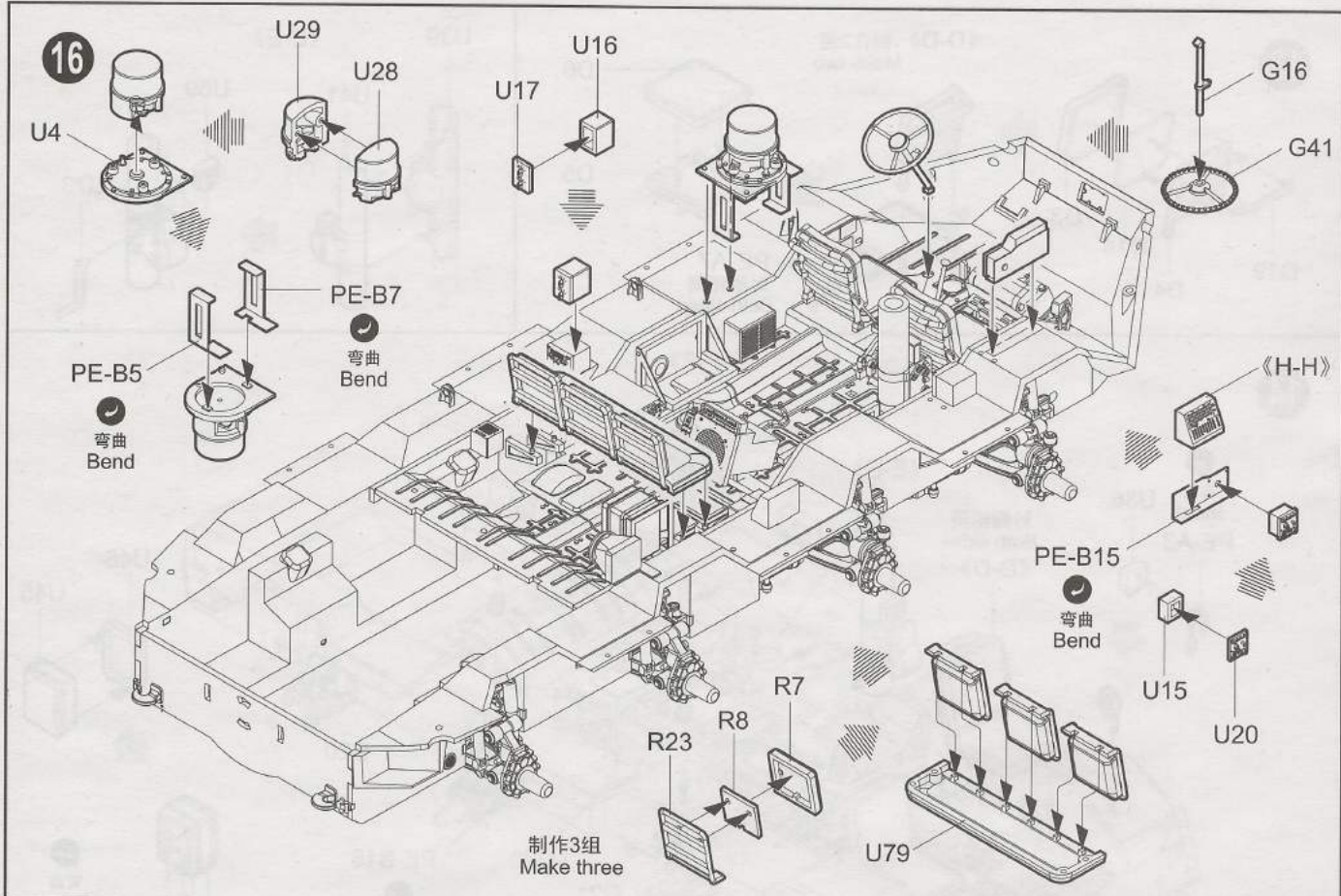


14

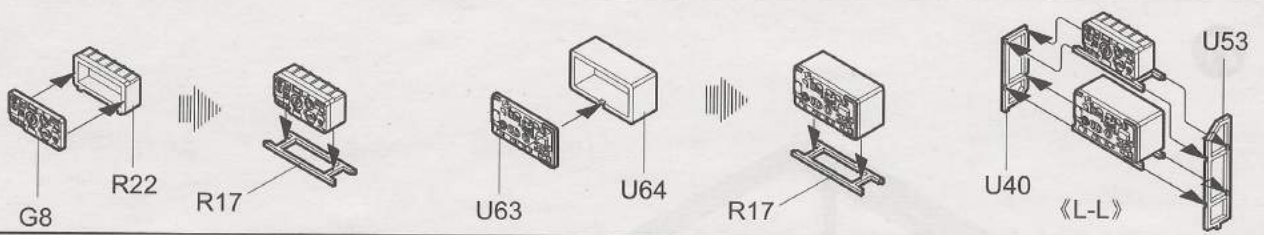


15

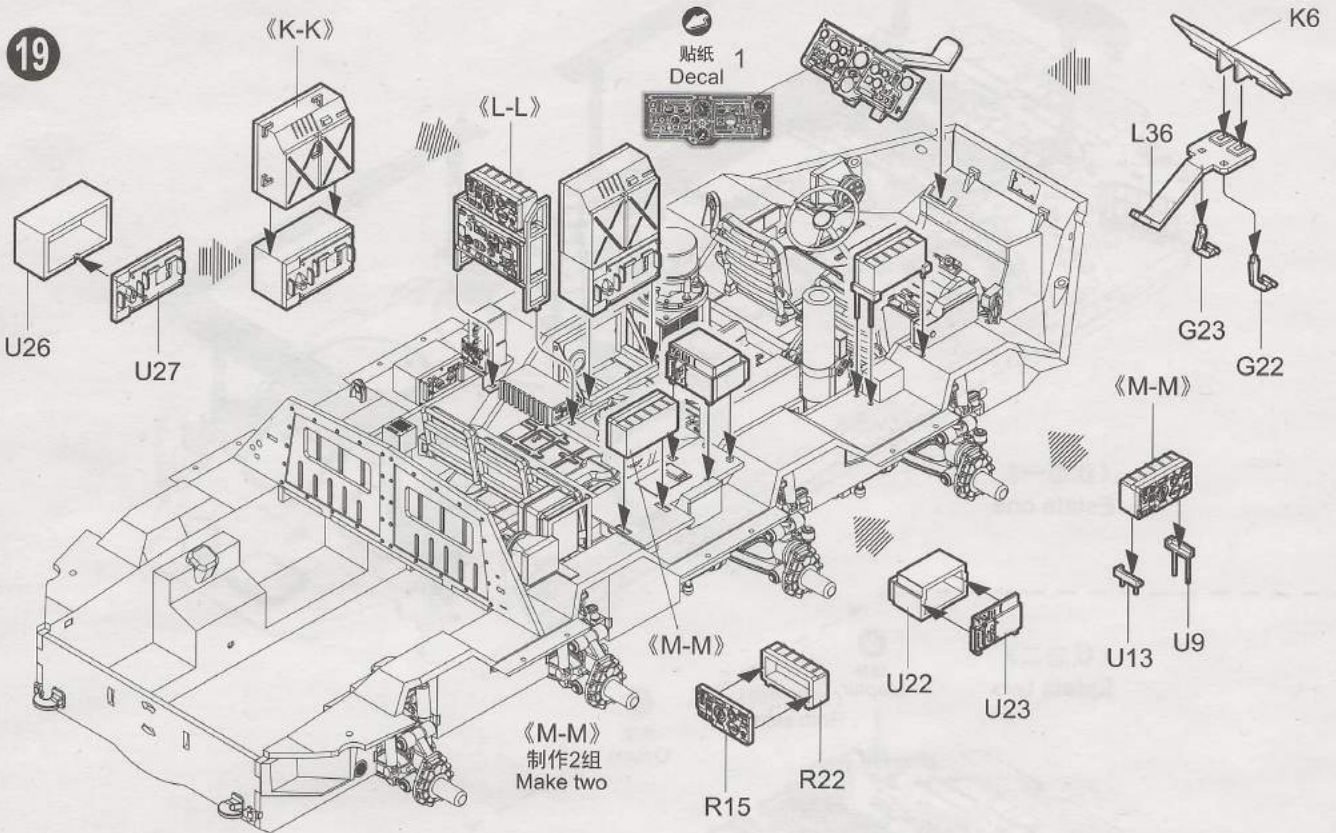




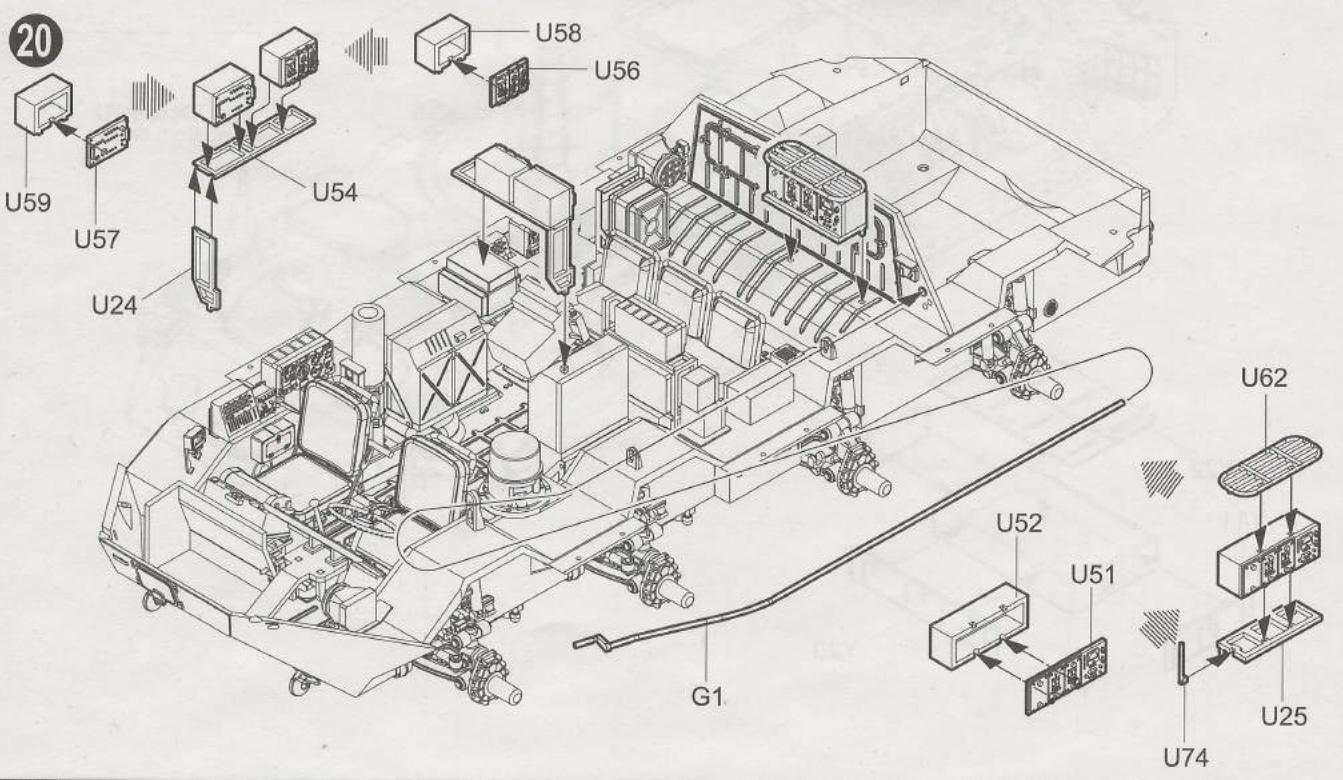
18

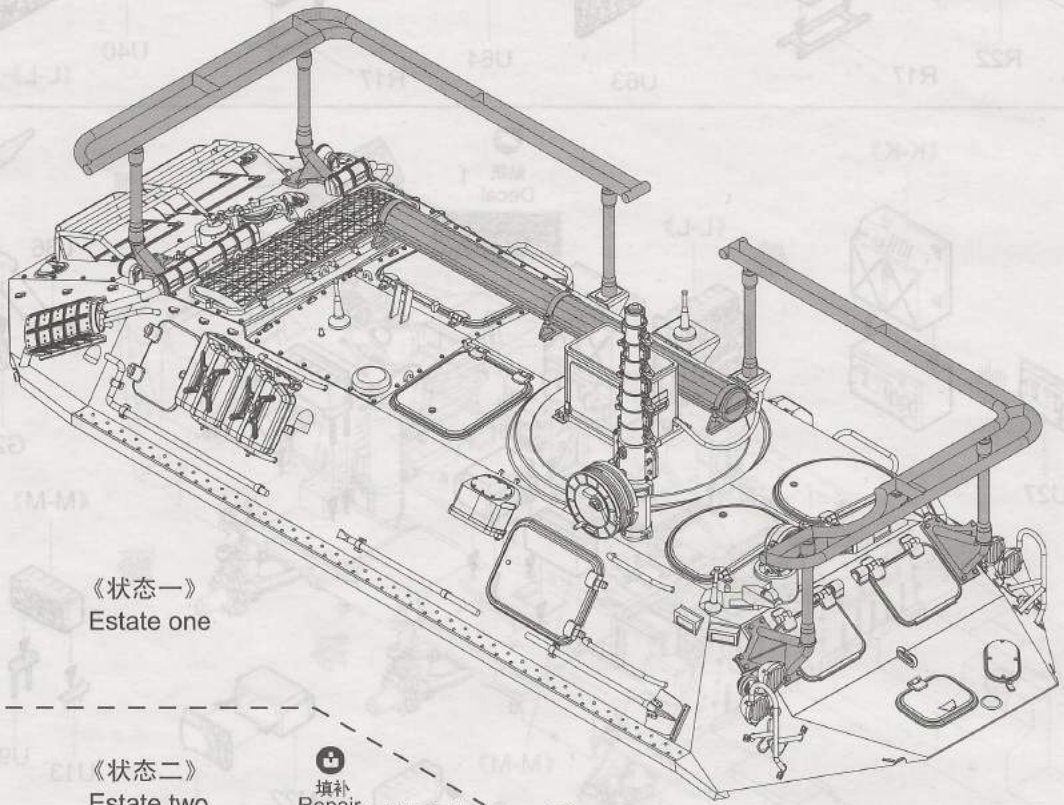


19

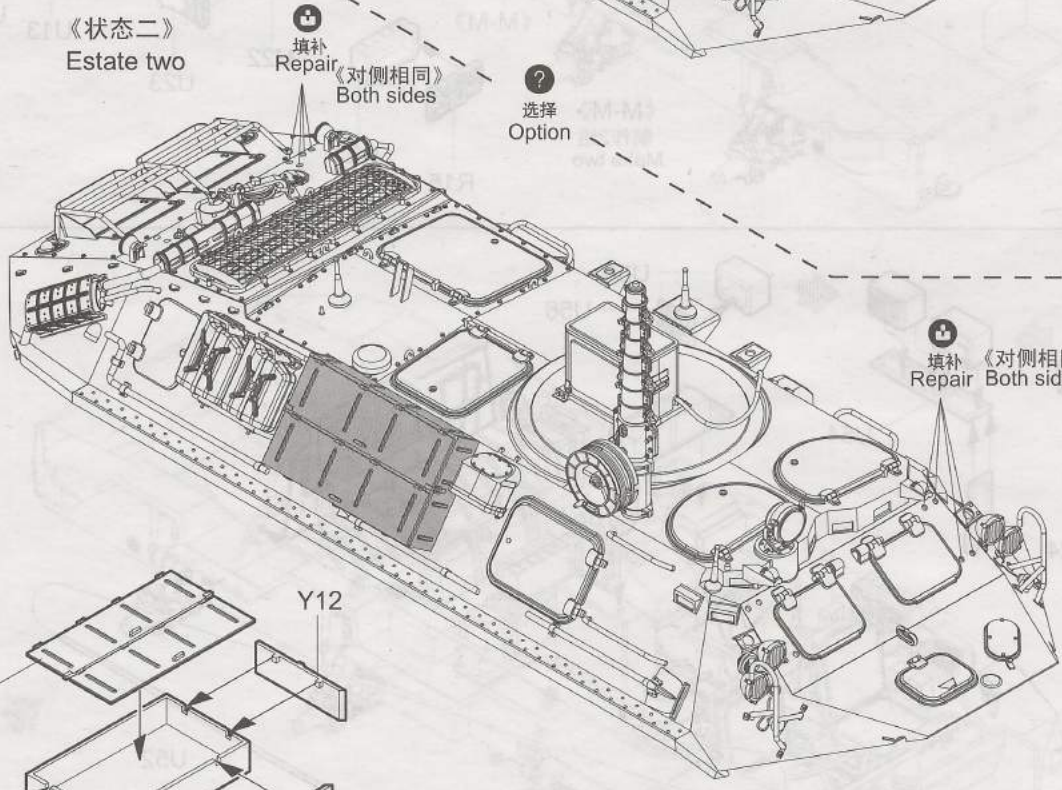


20





《状态一》  
Estate one

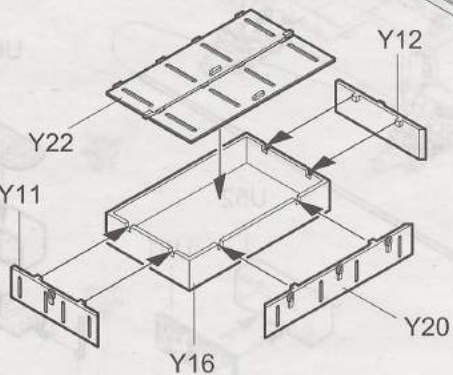


《状态二》  
Estate two

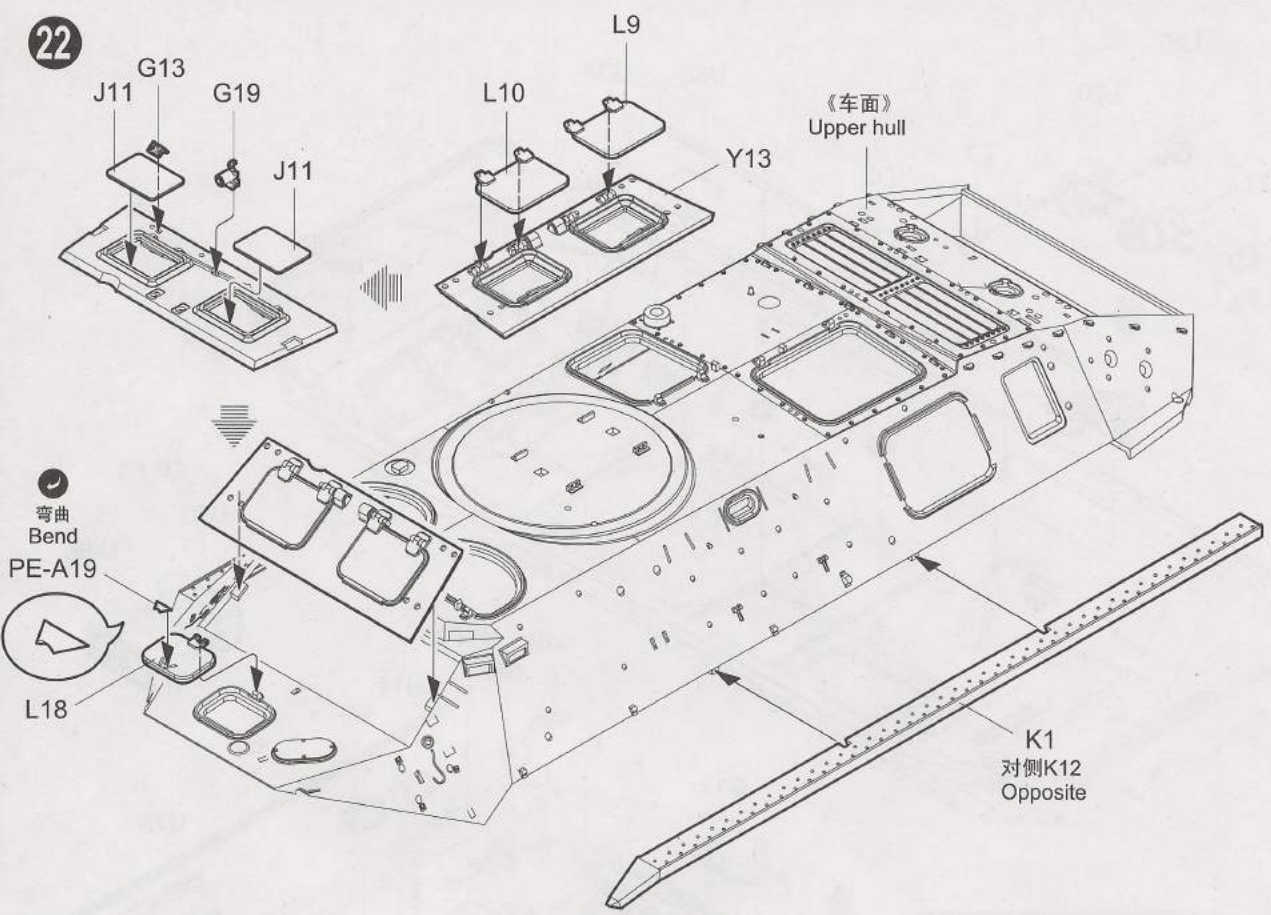
填补  
Repair  
《对侧相同》  
Both sides

选择  
Option

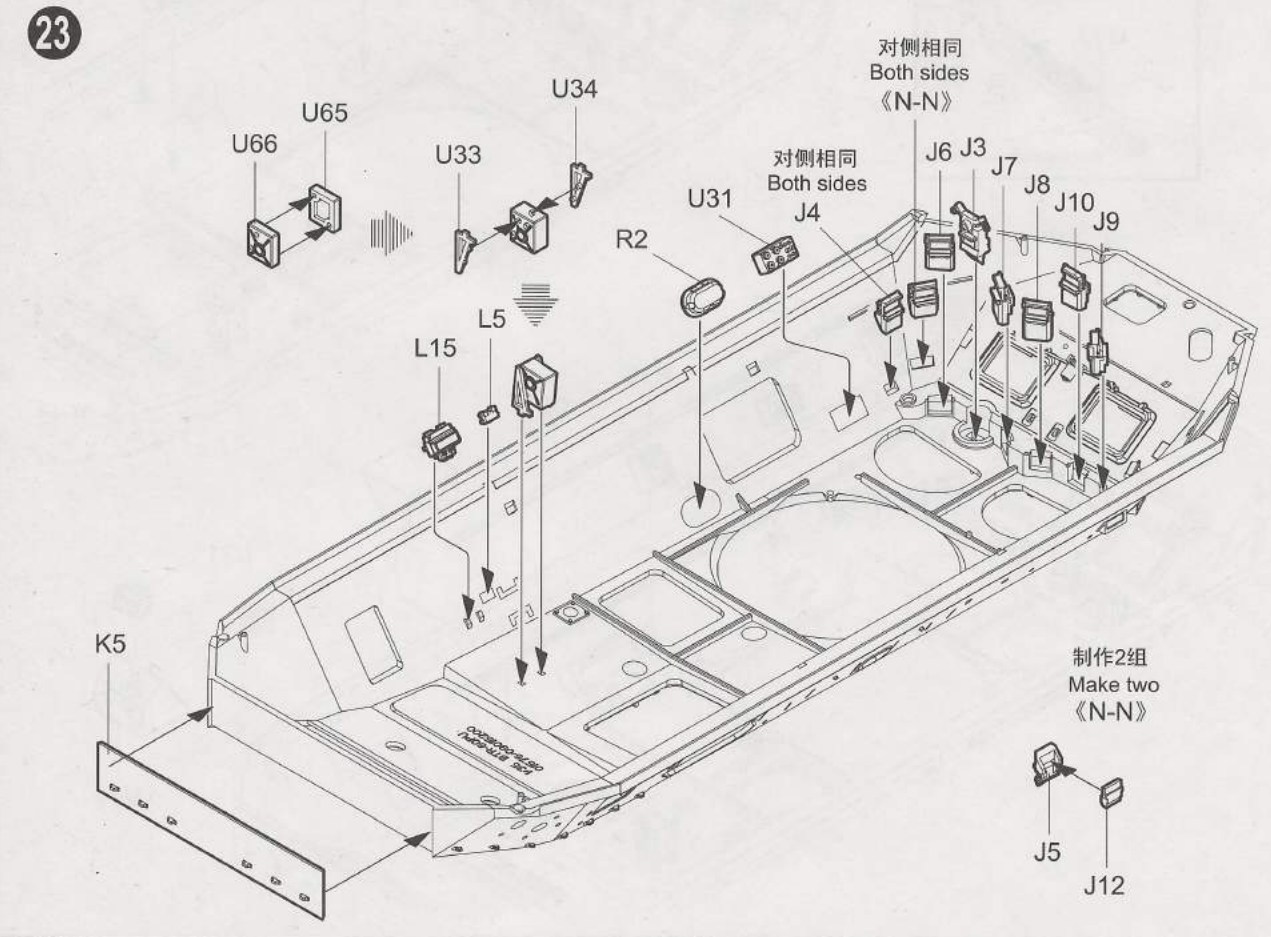
填补  
Repair  
《对侧相同》  
Both sides



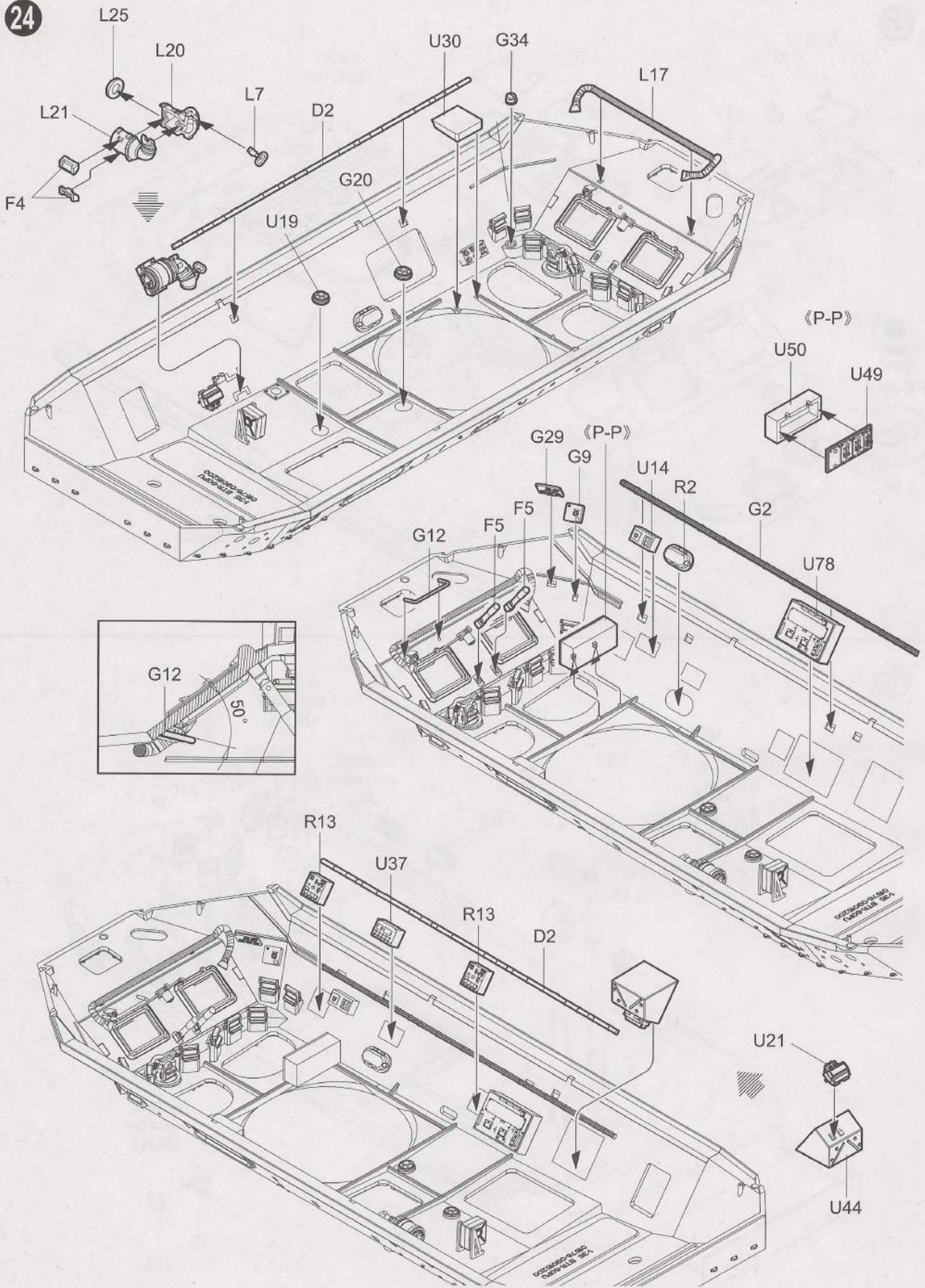
22



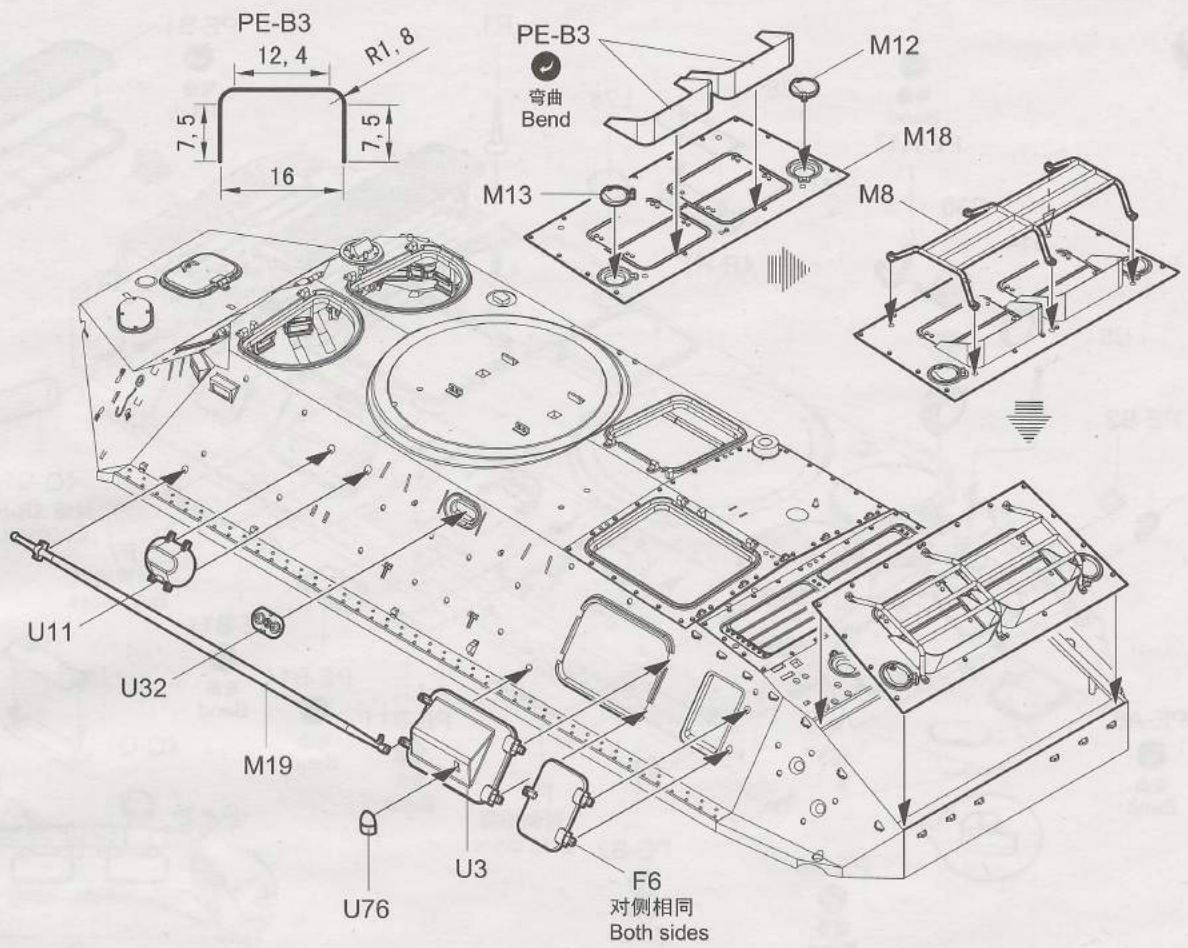
23



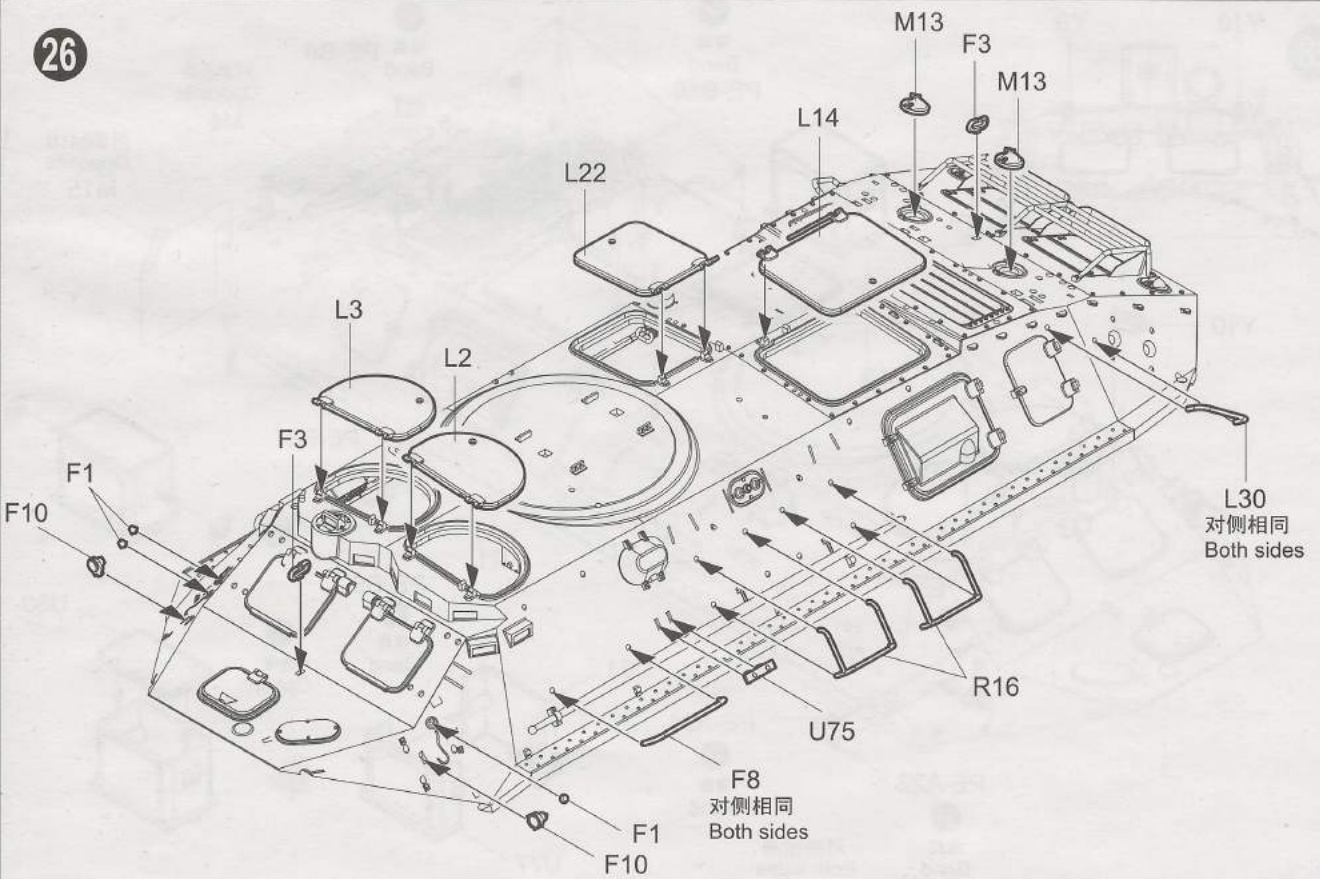
24



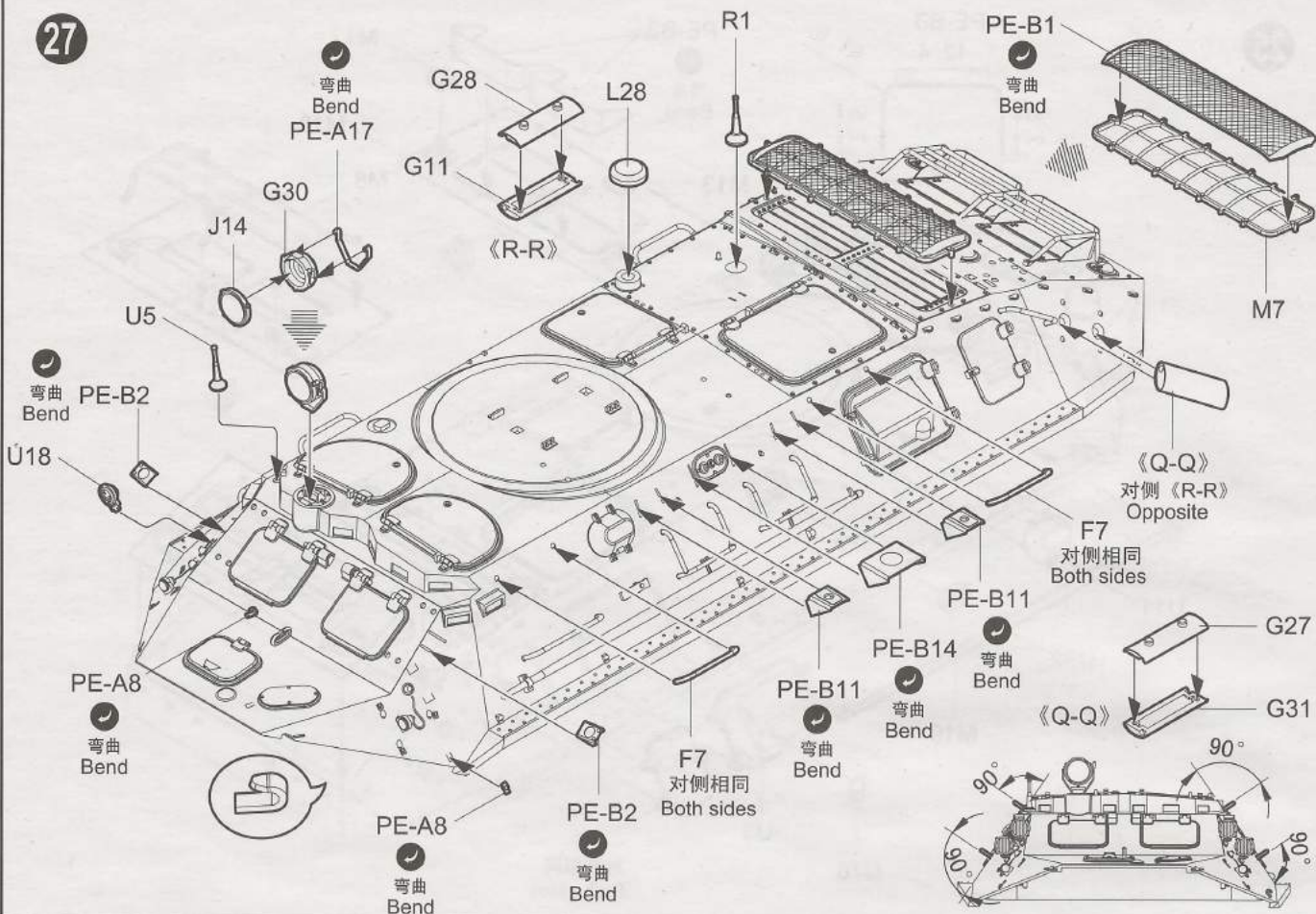
25



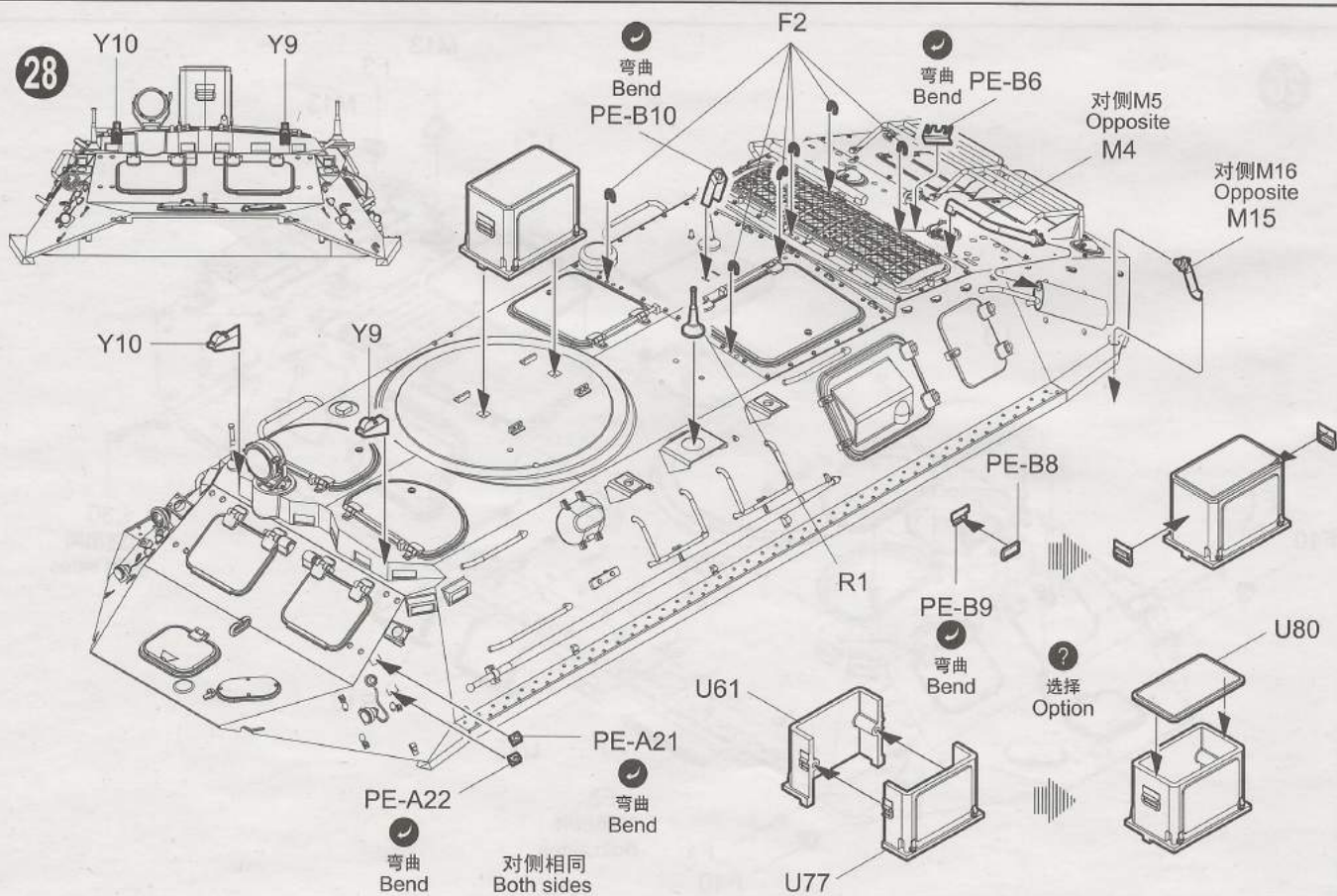
26



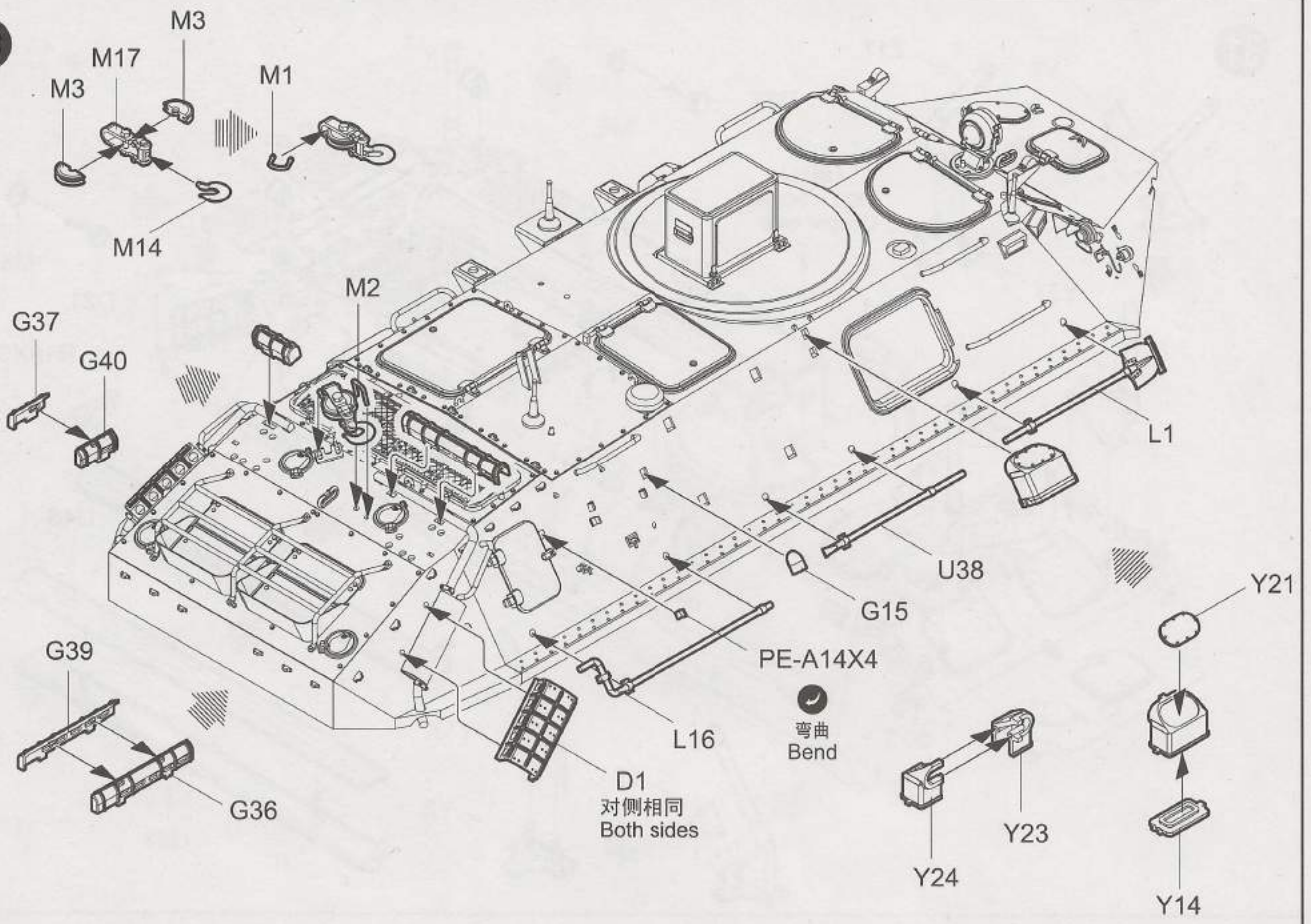
27



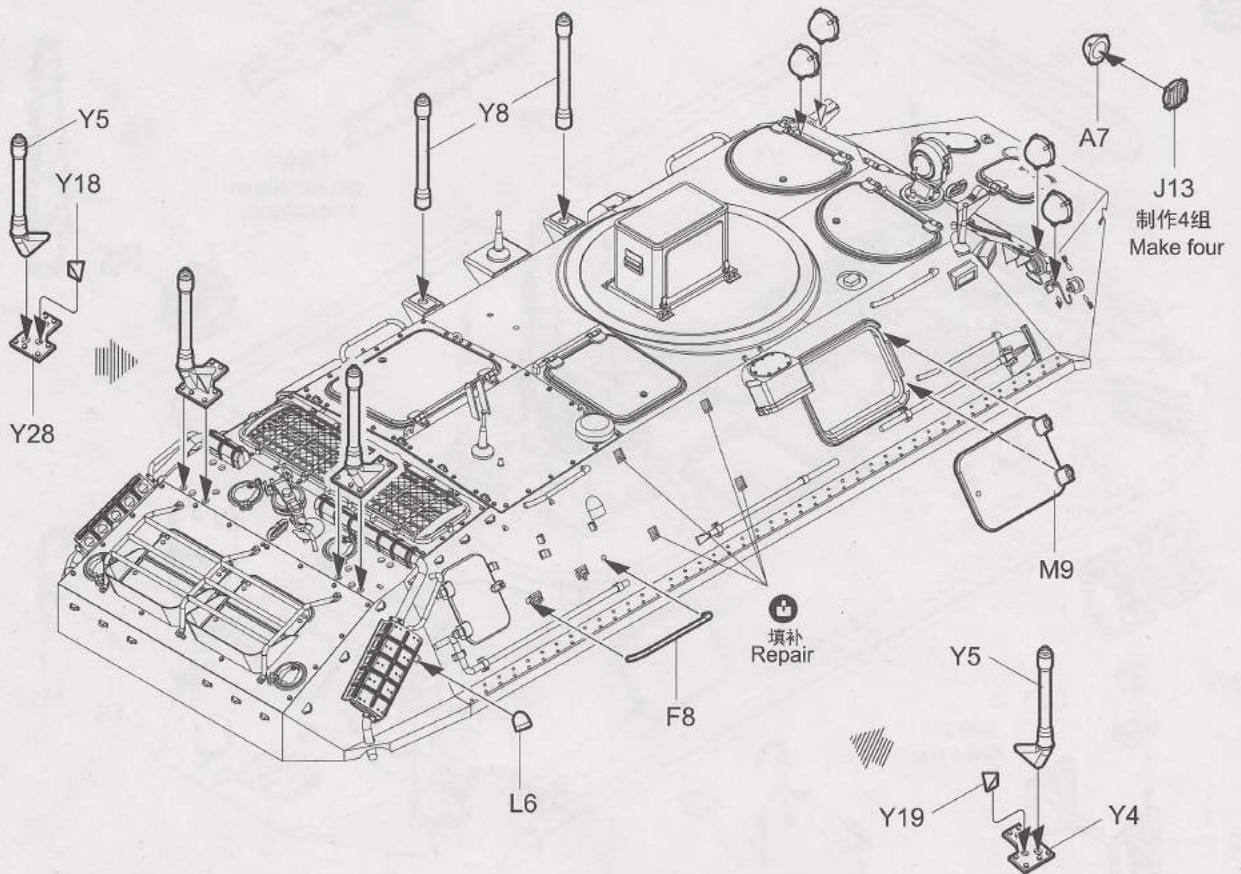
28



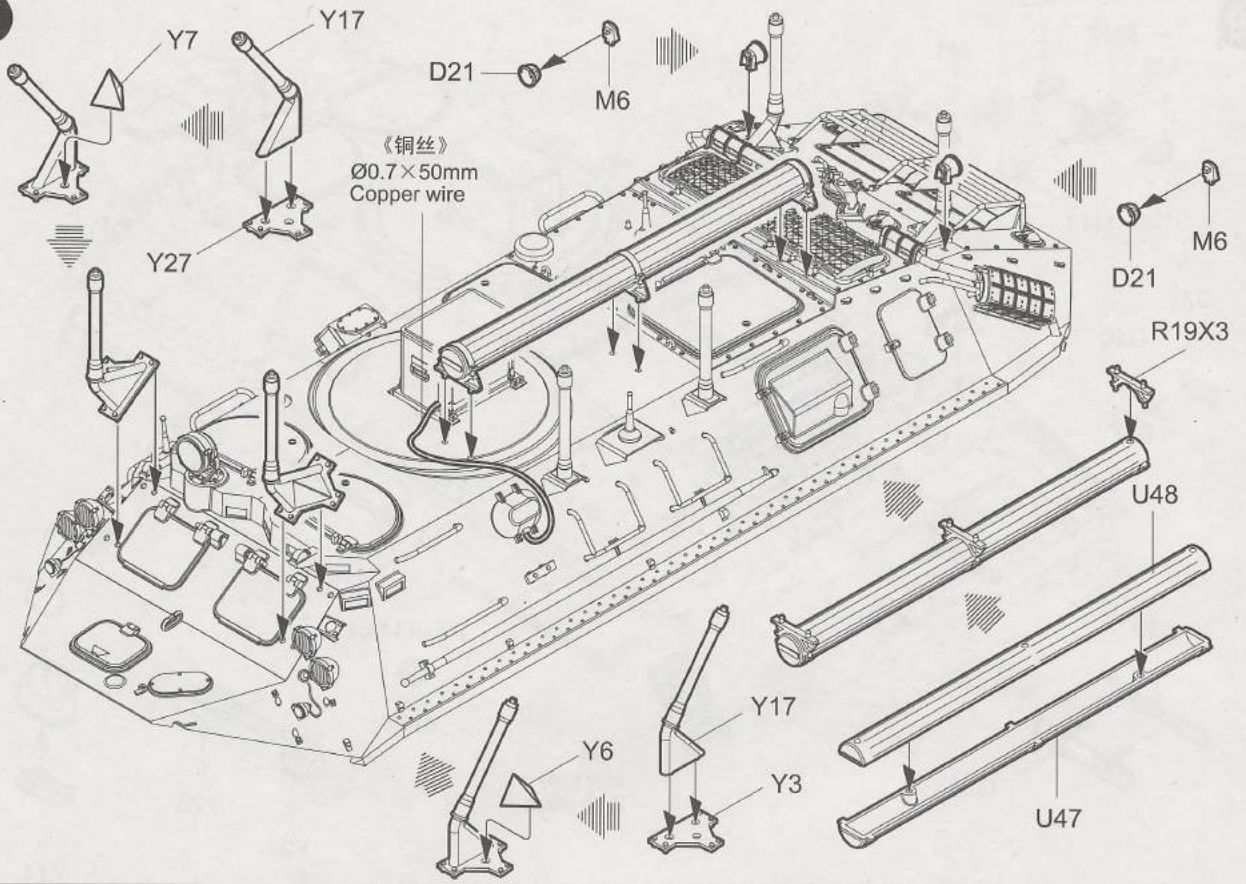
29



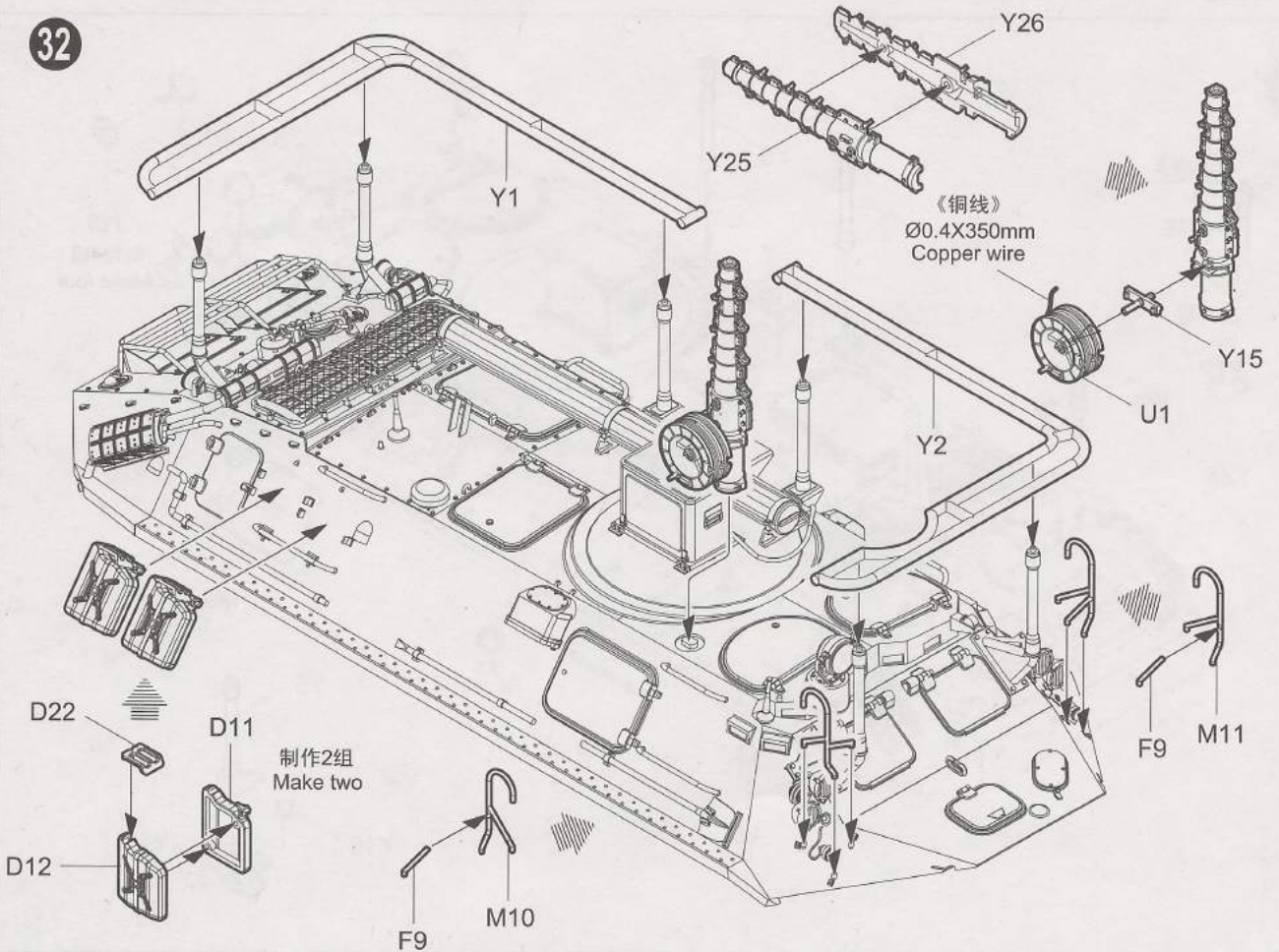
30



31



32



《车面》  
Upper hull

《车底》  
Lower hull

L32

L34

L35

L33

L8

D8  
对侧D7  
Opposite

G38  
对侧G42  
Opposite

《轮胎》  
Tyre

《右侧轮胎》  
Right Tyre  
制作4组  
Make four

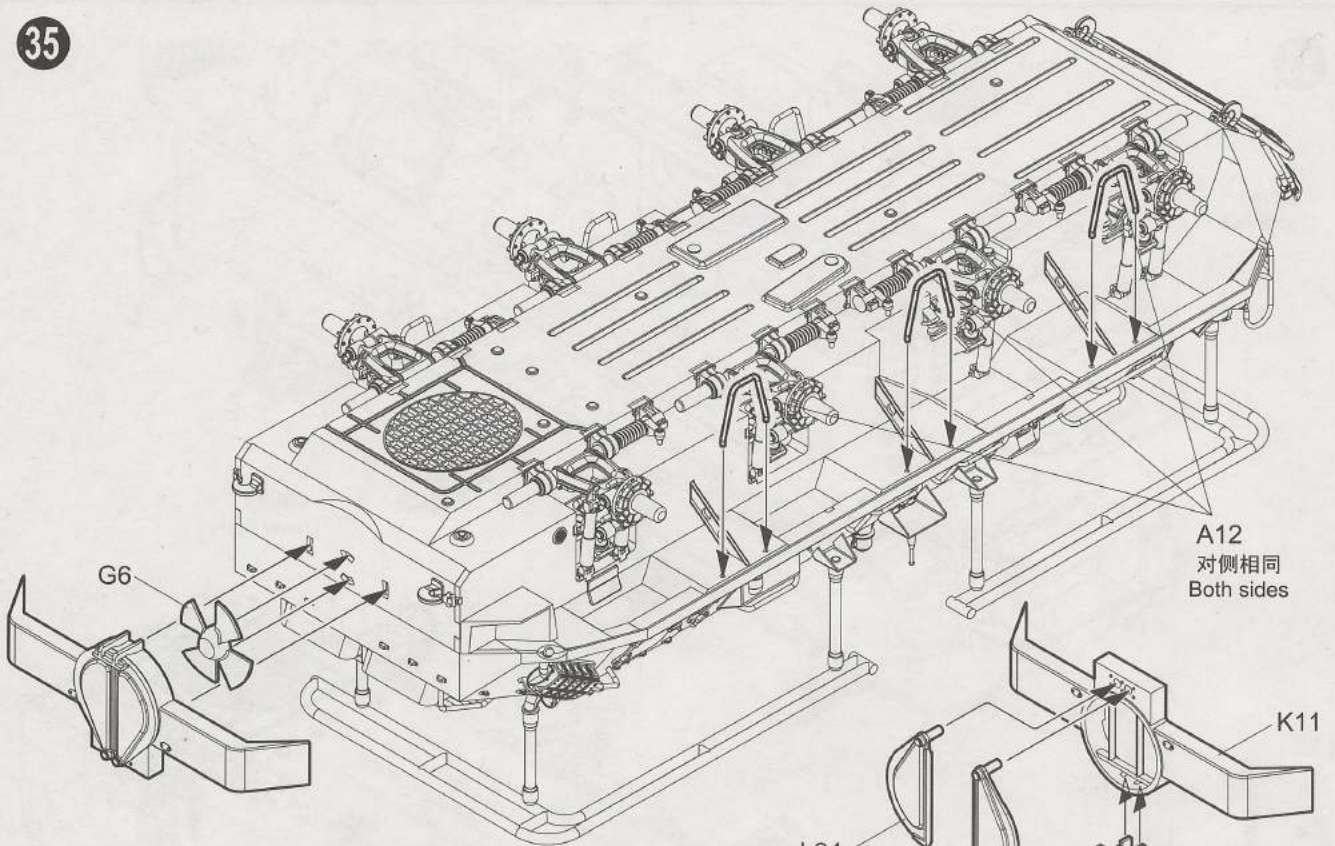
不涂胶水  
No cement  
《聚乙烯套》  
Poly cap

A23

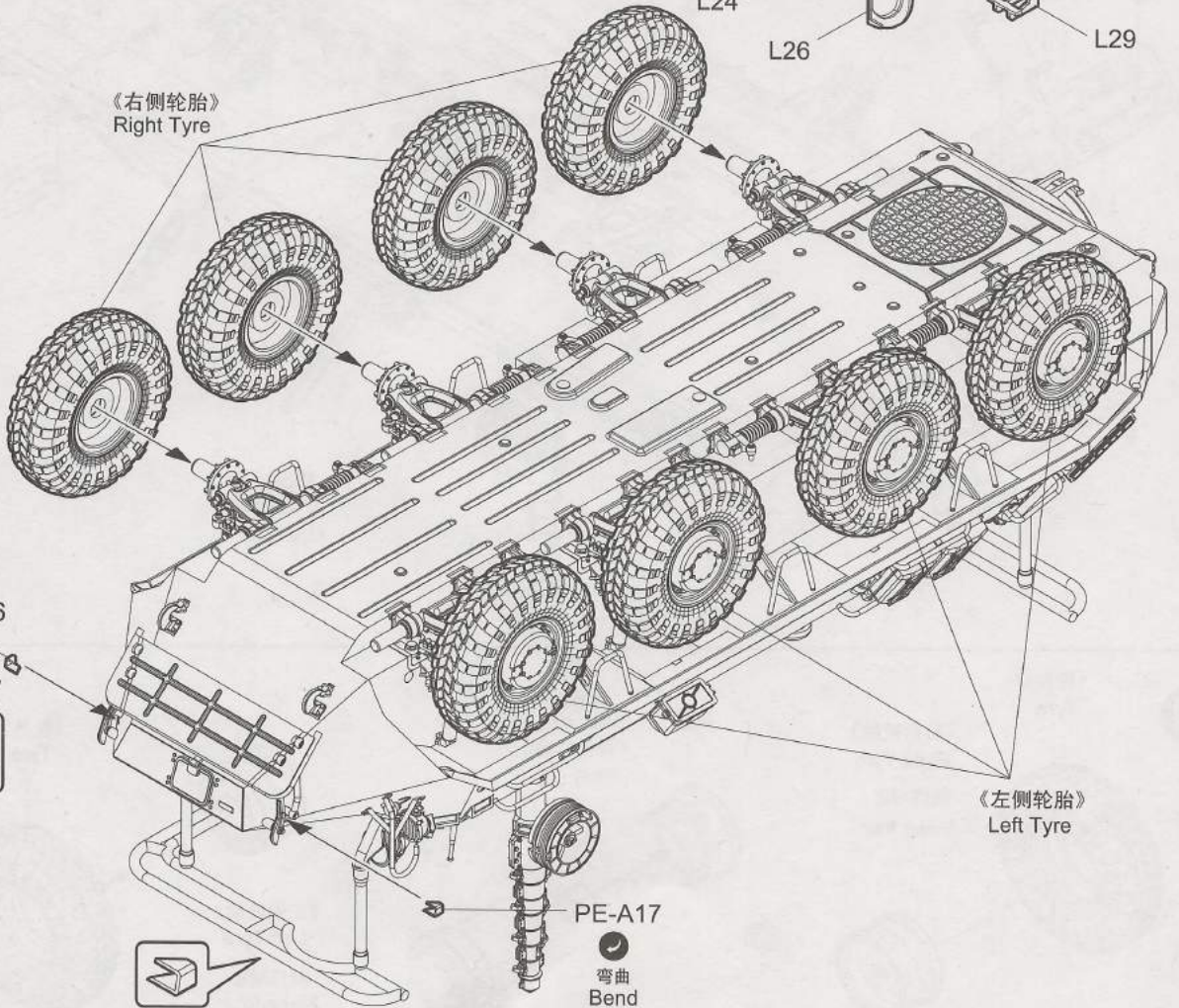
C1

《轮胎》  
Tyre

《左侧轮胎》  
Left Tyre  
制作4组  
Make four



《右侧轮胎》  
Right Tyre

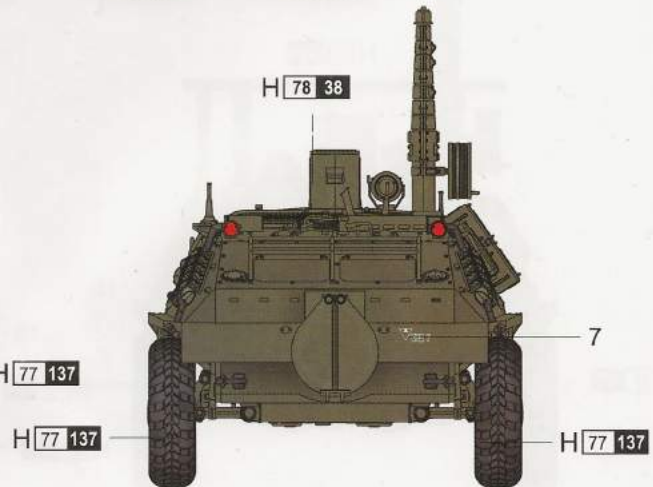
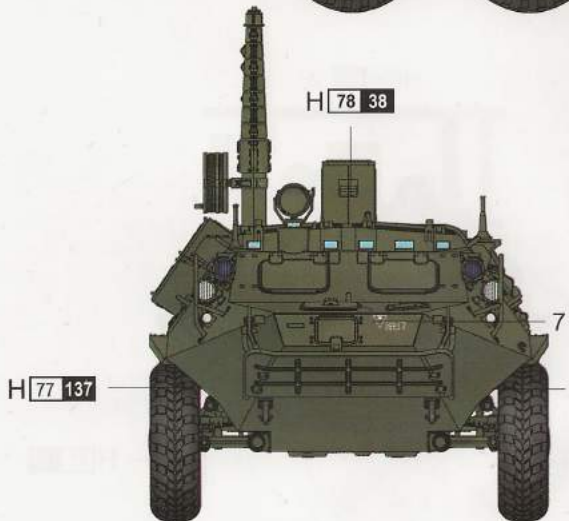
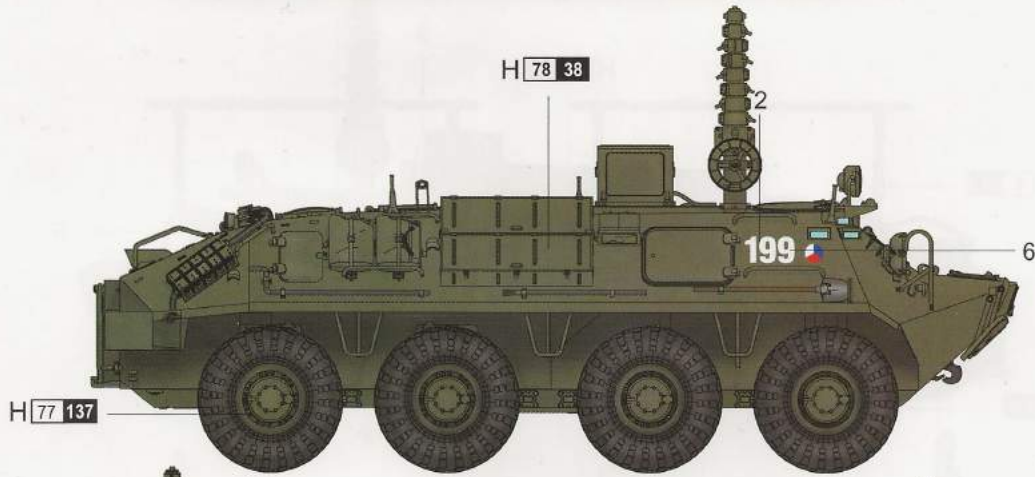
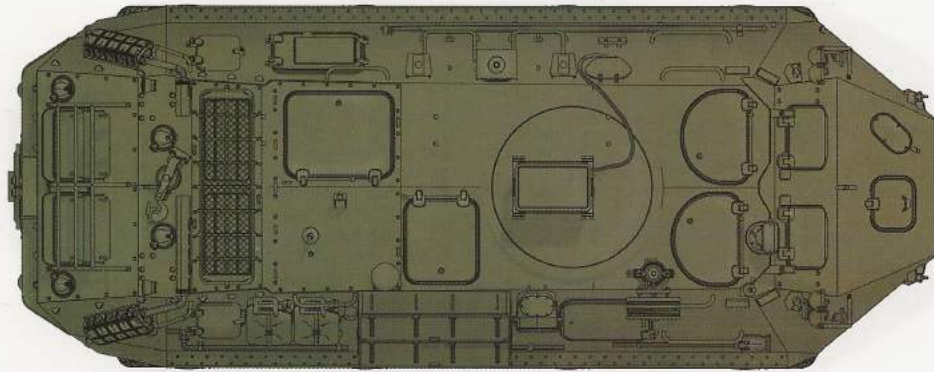
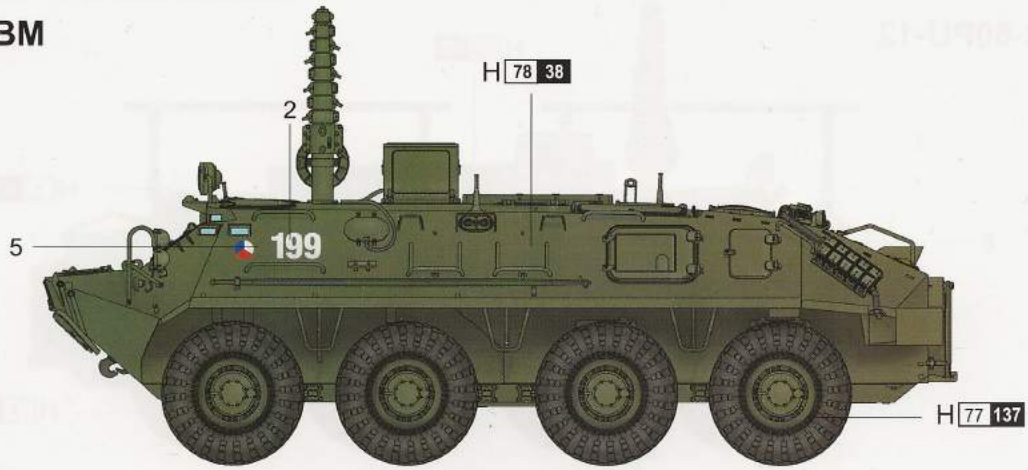


# 涂装同标贴指示

## Painting & Marking guide

PAINT REFERENCE COLOUR					
Color	Mr.Hobby	Vallejo	Model Master	Tamiya	Humbrol
Olive Drab 橄榄绿	H 78 38	--	--	--	--
Tire black 胎黑色	H 77 137	--	--	--	--

### B R-145BM



H  AQUEOUS HOBBY COLOR    ■ Mr. COLOR

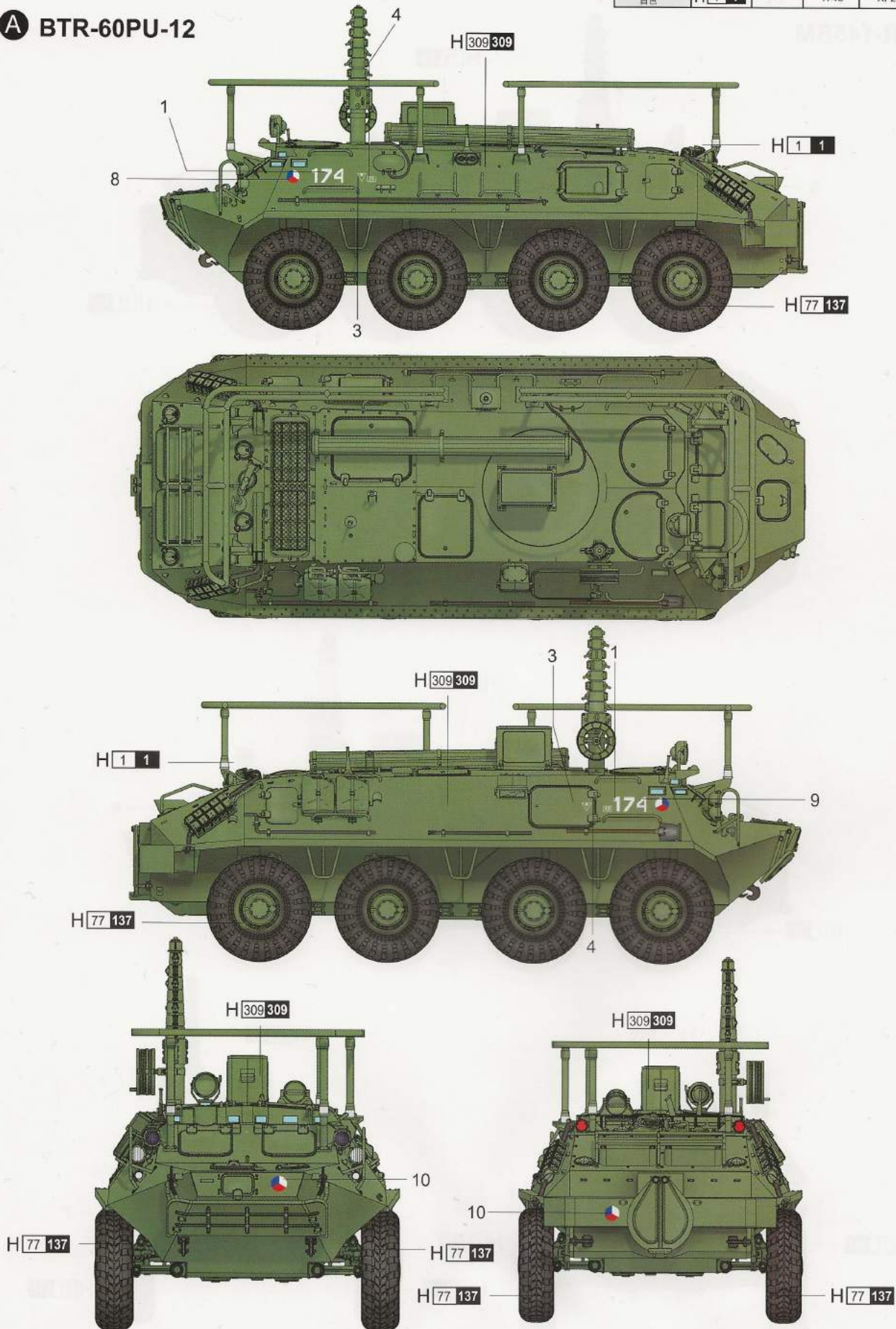
# 涂装同标贴指示

## Painting & Marking guide

### PAINT REFERENCE COLOUR

Color	Mr.Hobby	Vallejo	Model Master	Tamiya	Humbrol
Forest Green 绿色	H 309 309	893	1710	XF58	116
Tire black 胎黑色	H 77 137	--	--	--	--
White 白色	H 1 1	842	1745	XF2	22

### A BTR-60PU-12



H  AQUEOUS HOBBY COLOR

■ Mr. COLOR