



德国IV a型“迪克马克斯”自行火炮

German Pz.Sfl.IVa Dicker Max

READ BEFORE ASSEMBLY:

- Study and understand these instructions thoroughly before beginning assembly
- When needed, remove photo-etch parts carefully using a modeling knife or photo etch sprue cutter, being careful not to damage or lose small parts
- Take extra care in handling photo etch parts in order to avoid injury
- Apply instant cement sparingly to photo etch parts where instructed
- Tools recommended(not included in kit):Plastic and instant cements, sprue cutters,long nose pliers,modeling knife, small files, tweezers, pin vise & scissors. Soft cloth and sandpaper will also assist in construction
- Glue and paint are not included in the kit. Use plastic cement and hobby paints only. Color guide for purchasing paint is included in the kit.

装配之前仔细阅读

- 小心用模型剪刀修平所有零件表面的注射浇口。
- 小心用刀片切下蚀刻片零件。不要遗失小零件。
- 用强力快干胶水粘合蚀刻片零件和金属轴。过量快干胶水使用可能导致可动零件会粘住。小心涂胶。
- 取蚀刻片时应特别注意安全。防止利边划伤手指。
- 某些零件表面需贴水上贴纸。请选择在装配的同时进行。
- 推荐模型工具(自备): 胶水, 水口剪刀, 长咀钳, 刀片, 挫刀, 镊子, 钳, 粘, 剪刀, 细巧快干胶。
- 软布同砂纸同时也应该是必备工具。
- 请使用塑料胶水和油漆。模型内不含。

配重
Weight使用强力胶
Cyanoacrylate glue钻孔
Make hole切除
Cut / Remove贴纸
Decal锉平
File / Sand选项
Option不涂胶水
No cement弯曲
Bend

水贴纸的使用:

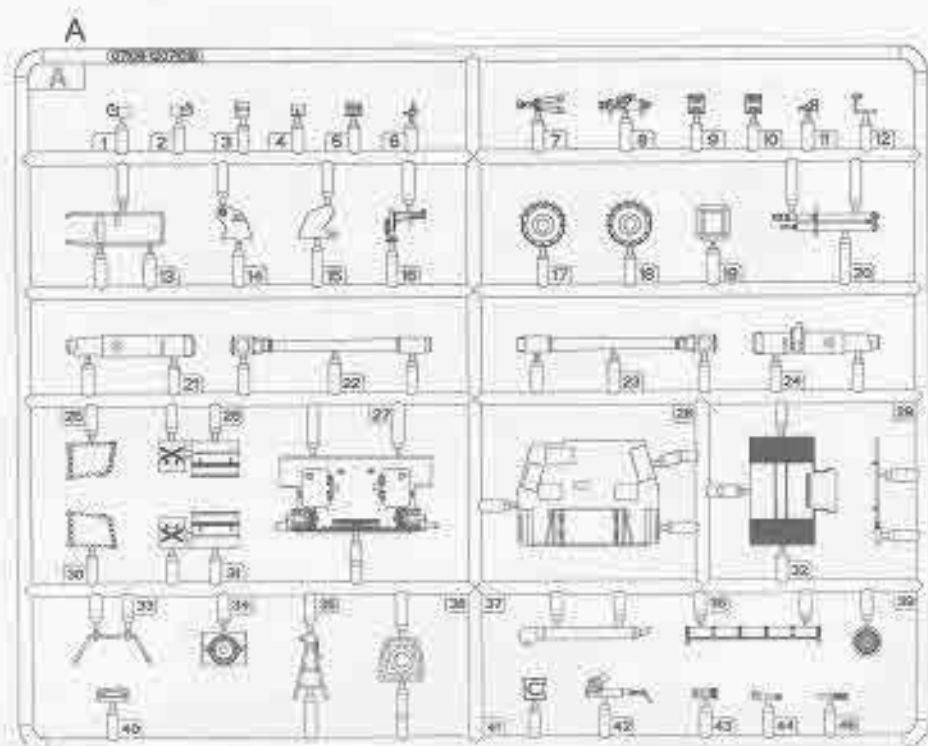
1. 从水贴纸上剪下印花;
2. 将印花放入温水中浸10秒, 然后放在干净布上;
3. 拿着印花纸框将印花移到模型上;
4. 手指蘸水将印花移到适当的位置;
5. 用软布轻压印花直至水干, 汽泡消失。

DECAL APPLICATION

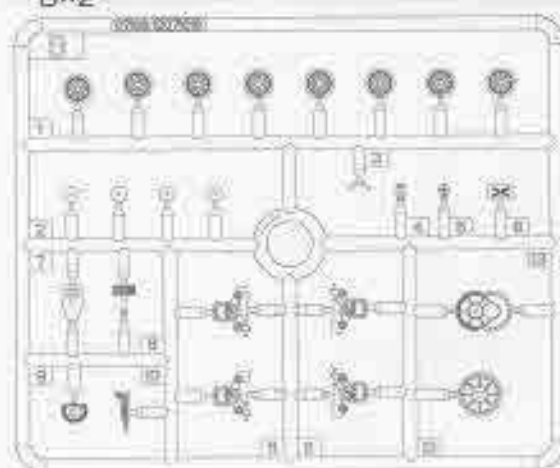
1. Cut decals from sheet as needed
2. Dip the decal in warm water for about 10 seconds and then place on soft clean cloth.
3. Hold the decal backing sheet edge and gently slide the decal onto the model in its proper position.

4. While still wet, decal can be adjusted for better fit on model by dampening it gently with your finger.
5. When placed in the proper position, gently press decal down with a soft cloth until excess water and air bubbles are gone.
6. Allow decal to dry completely before handling model.

部品图
Parts



B×2



【半組】
Upper hull



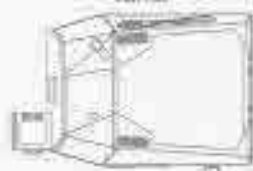
【半組】
Lower hull



【半組】
Decal



【半組】
Turret



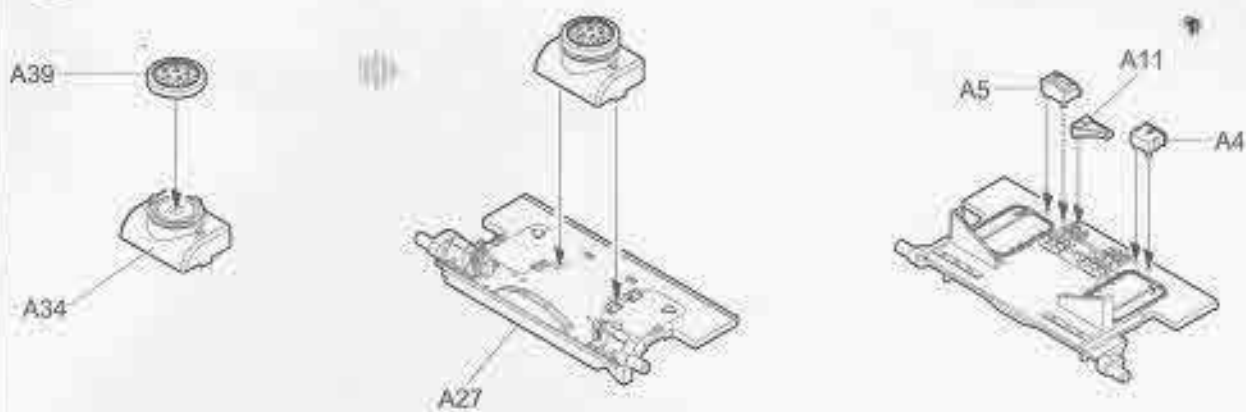
【半組】 R
Track



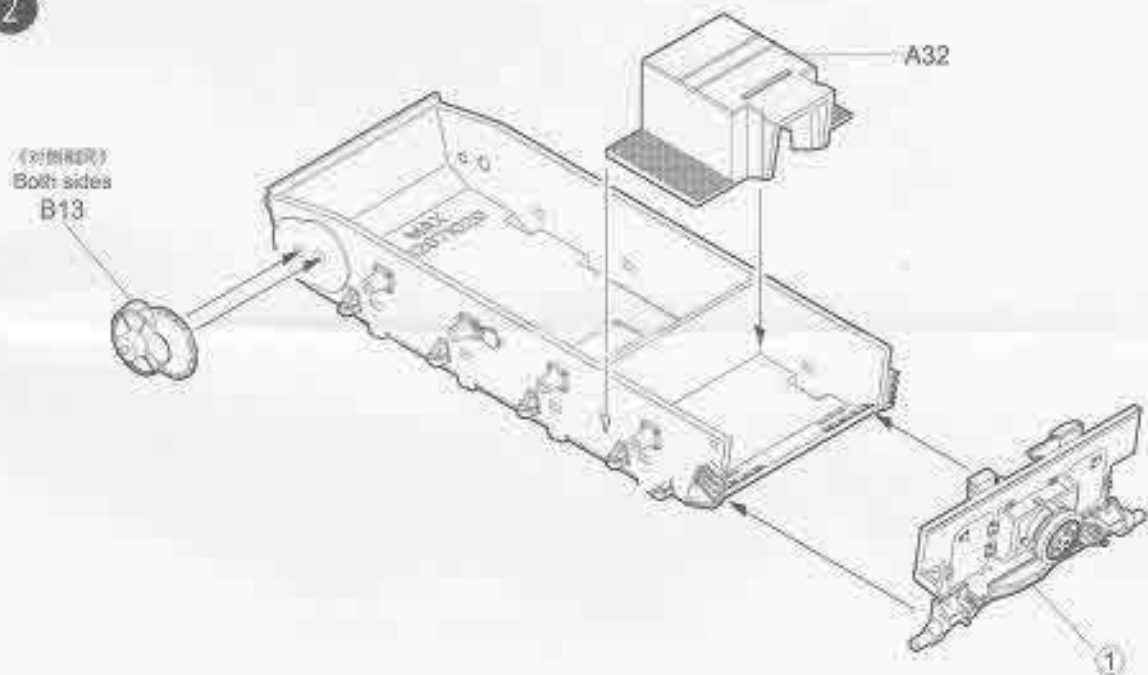
【半組】 L
Track



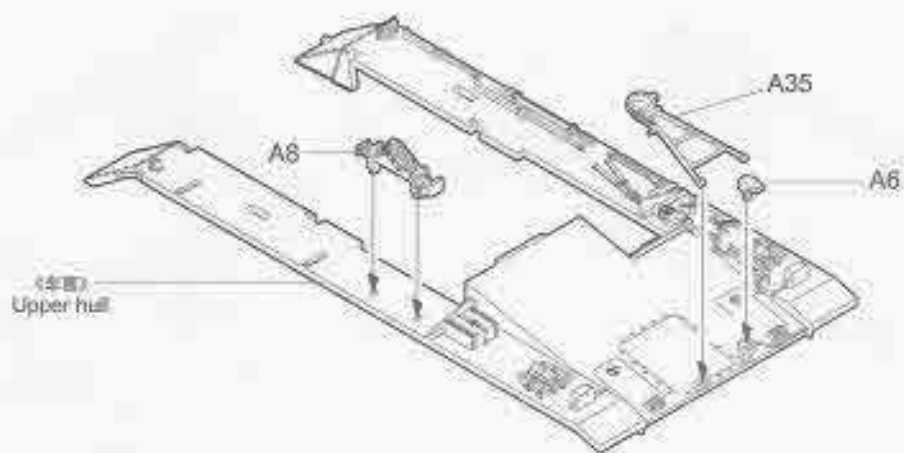
1

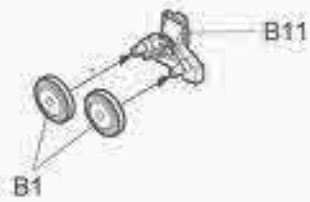


2



3

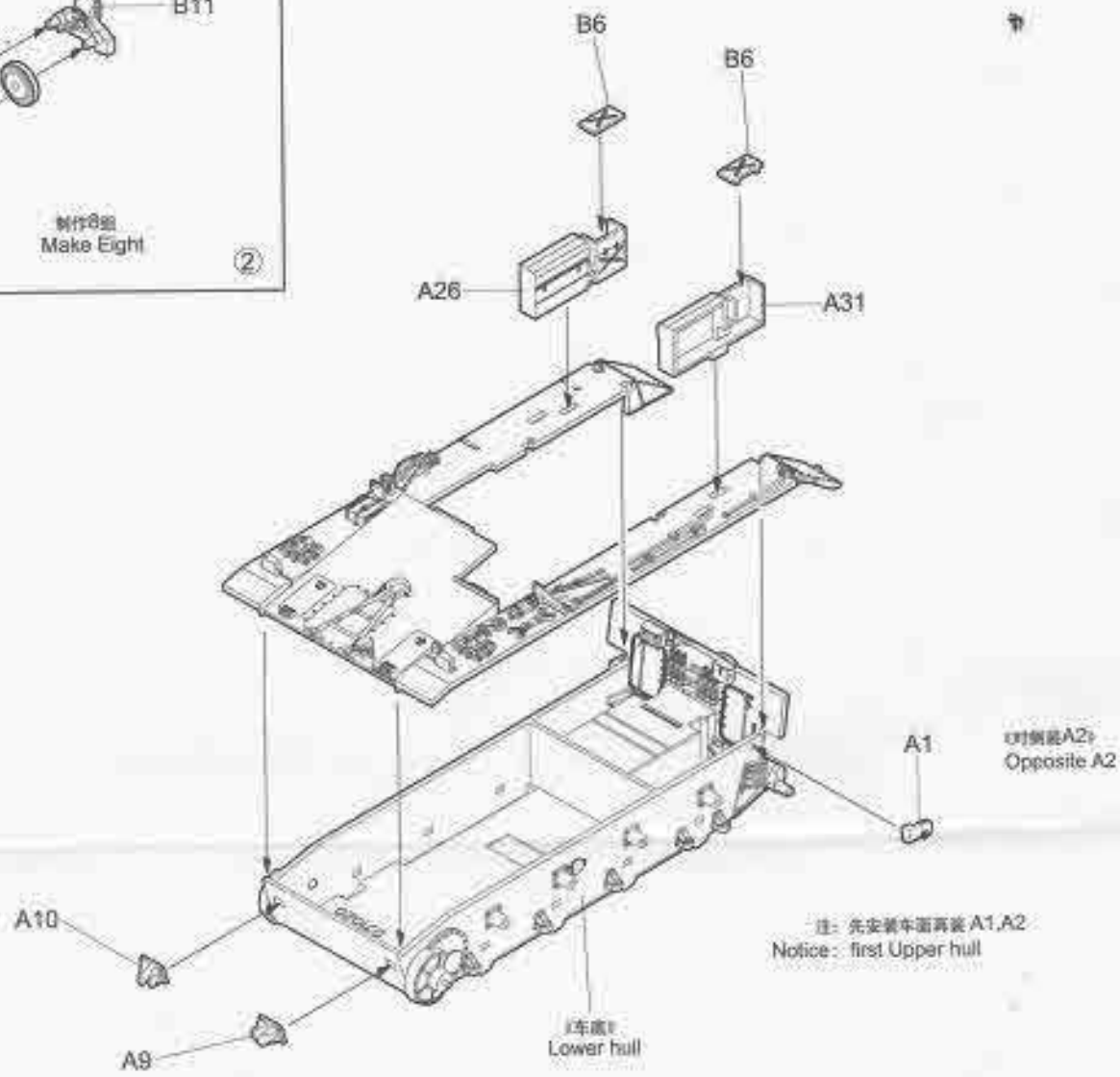




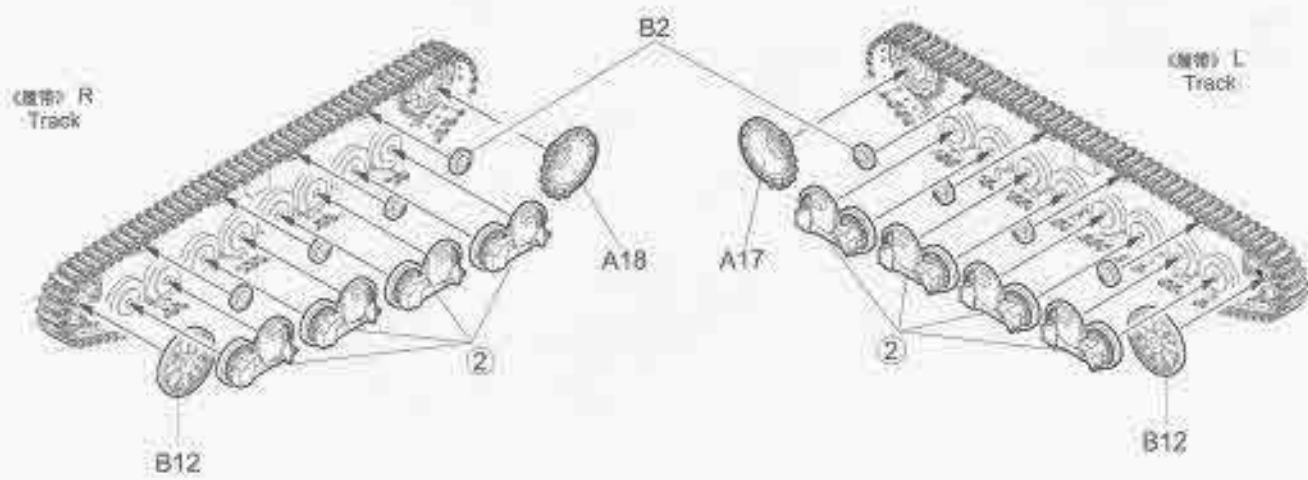
制作8组
Make Eight

②

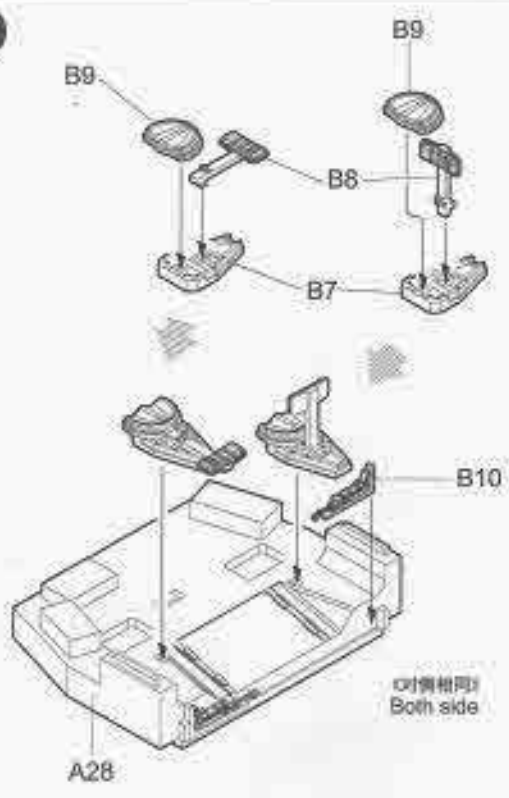
4



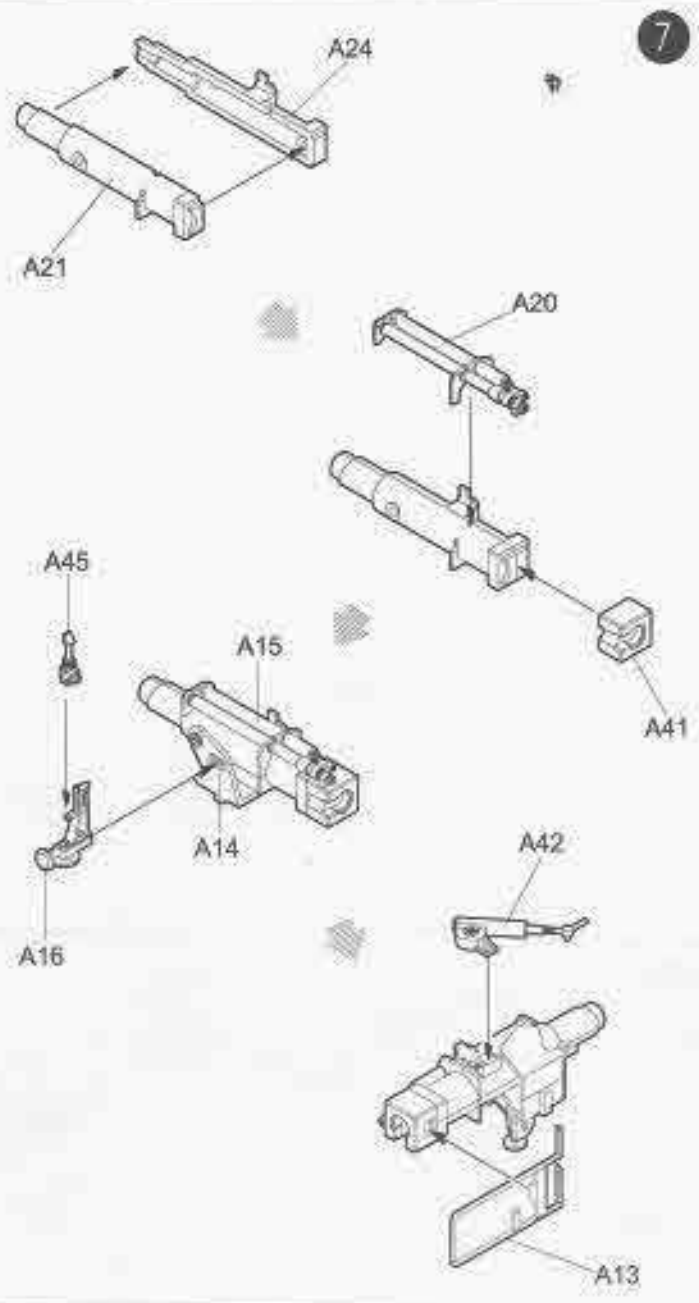
5



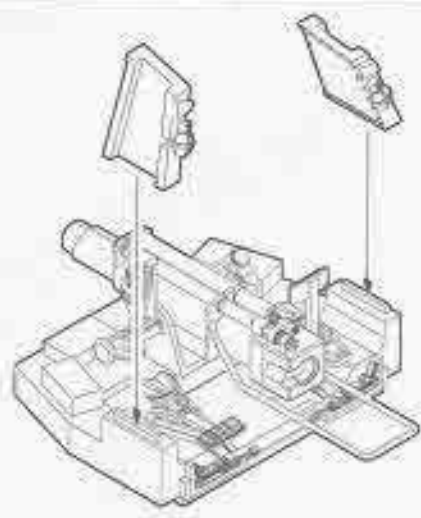
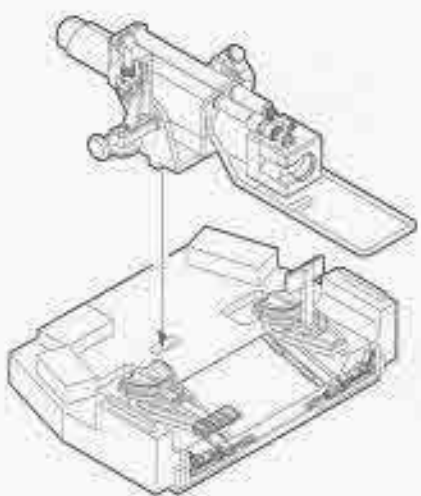
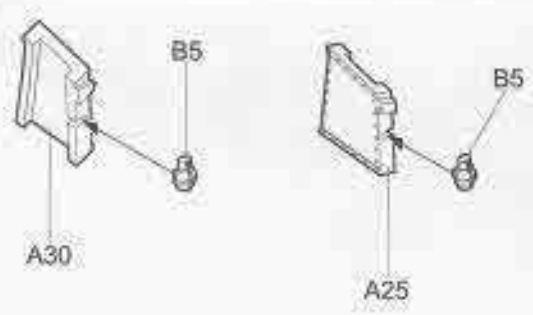
6



7



8



9

炮塔组装
Turret assembly

(对称相同)
Both sides
B3

A40

A29

A19

A33

(对称相同)
Both sides
B4

A12

A43

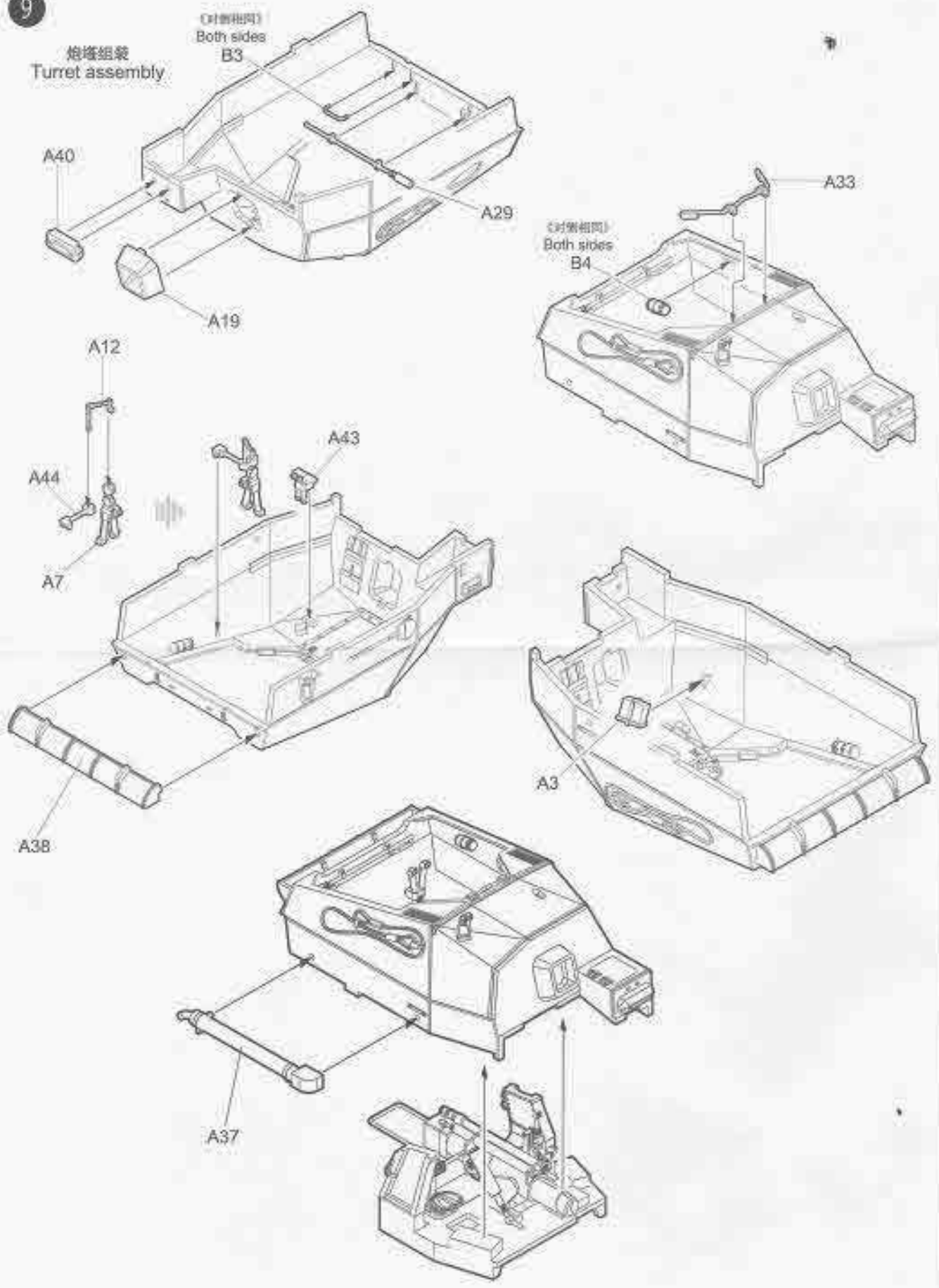
A44

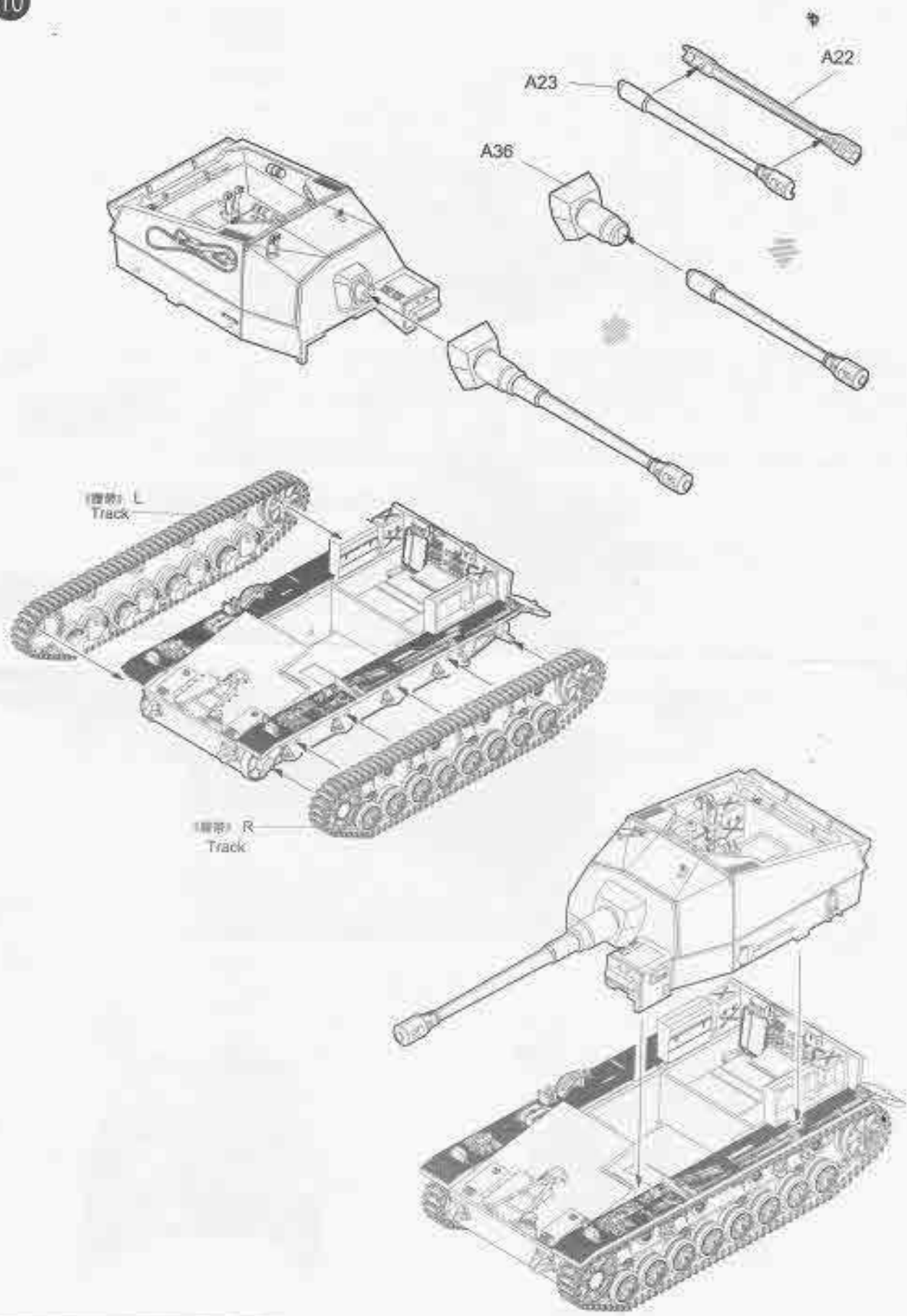
A7

A3

A38

A37





涂装同标贴指示 Painting & Marking guide

PAINT REFERENCE COLOUR					
Color	Mr Hobby	Vallejo	Wood Grain	Tamiya	Humbrol
Wood Grain	H07 43	801	—	—	—
Metal Black	H18 28	802	190	X18	50
Clear Blue	H93 90	808	—	X03	—
Metal Gray	H70 60	804	1402	—	—

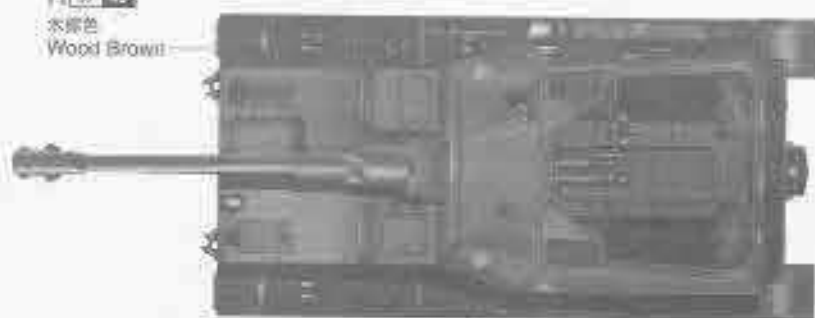
A



H37 43
木棕色
Wood Brown



H37 43
木棕色
Wood Brown



H93 90
透明蓝
Clear Blue



H37 43
木棕色
Wood Brown

H93 90
透明蓝
Clear Blue

