

Battleship HMS Warspite 1942

1:350 SCALE

英国厌战号战列舰 1942

READ BEFORE ASSEMBLY:

Study and understand these instructions thoroughly before beginning assembly

When needed, remove photo-etch parts carefully using a modeling knife or photo etch sprue cutter, being careful not to damage or lose small parts.

Take extra care in handling photo etch parts in order to avoid injury

Apply instant cement sparingly to photo etch parts where instructed

- Tools recommended(not included in kit): Plastic and instant cements, sprue cutters, long nose pliers, modeling knife, small files, tweezers, pin vise & scissors. Soft cloth and sandpaper will also assist in construction
- Glue and paint are not included in the kit. Use plastic cement and hobby paints only. Color guide for purchasing paint is included in the kit.

装配之前仔细阅读

- 小心用模型锉刀锉平所有零件表面的注射浇口。
- 小心用刀片切下蚀刻片零件，不要遗失小零件。
- 用强力快干胶水粘合蚀刻片零件和金属轴。过量快干胶水，使用可能导致可动零件会粘住，小心涂胶。
- 取蚀刻片时应特别注意安全，防止利边划伤手指。
- 某些零件表面需贴水上贴纸，请选择在装配的同时进行。
- 推荐模型工具(自备)：胶水，水口剪刀，长阻钳，刀片，锉刀，镊子，钳，钻，剪刀，瞬间快干胶。
- 软布同砂纸同时也应该是必备工具。
- 请使用塑料胶水和油漆，模型内不含。

水贴纸的使用:

1. 从水贴纸上剪下印花;
2. 将印花放入温水中浸10秒, 然后放在干净布上;
3. 拿着印花纸基板将印花移到模型上;
4. 手指蘸水将印花移到适当的位置;
5. 用软布轻压印花直至水干, 汽泡消失。

DECAL APPLICATION:

1. Cut decals from sheet as needed
2. Dip the decal in warm water for about 10 seconds and then place on soft clean cloth.
3. Hold the decal backing sheet edge and gently slide the decal onto the model in its proper position.

4. While still wet, decal can be adjusted for better fit on model by dampening it gently with your finger.

5. When placed in the proper position, gently press decal down with a soft cloth until excess water and air bubbles are gone.

6. Allow decal to dry completely before handling model



cyanoacrylate glue
使用强力胶



weight
配重



make hole
钻孔



cut / remove
切除



option
选择



no cement
不涂胶水



decal
贴纸



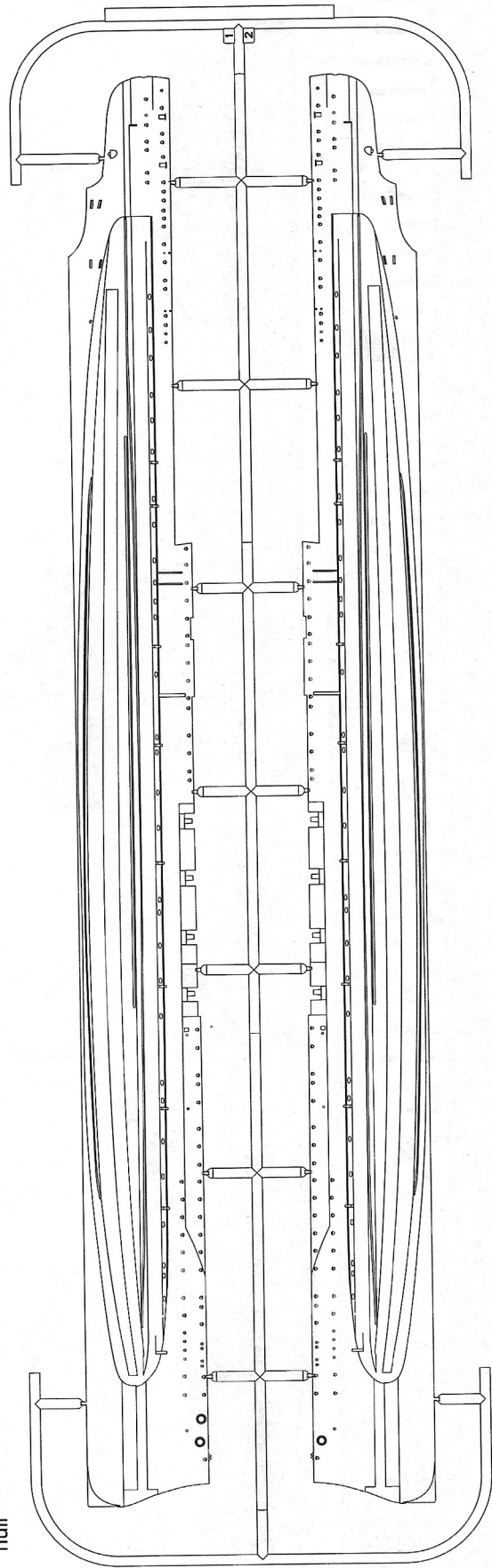
bend
弯曲



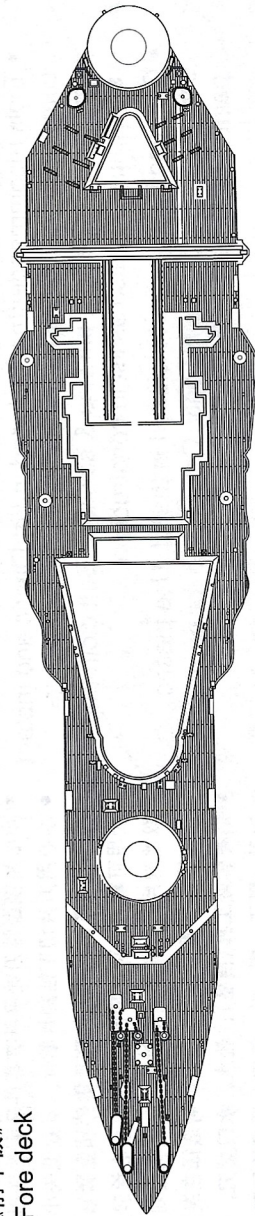
file / sand
锉平

部品图 Parts

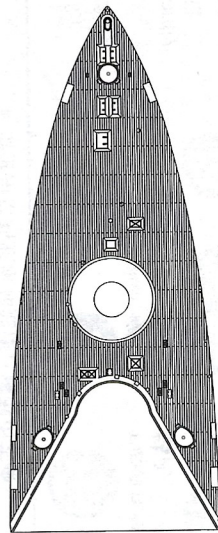
《船体》
hull



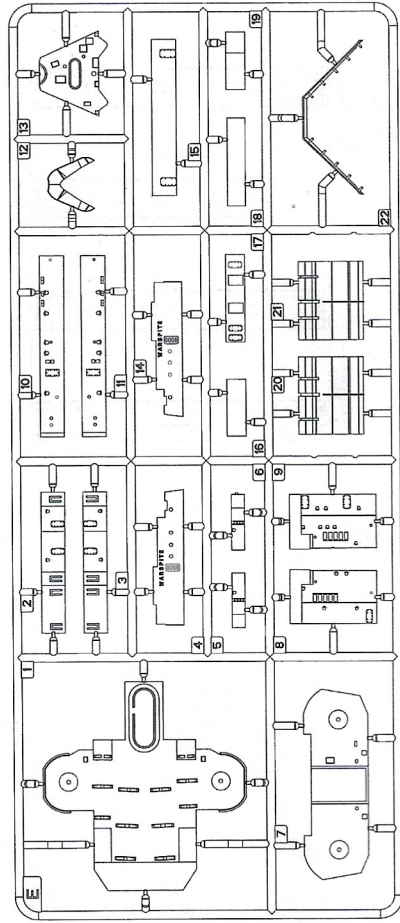
《前甲板》
Fore deck



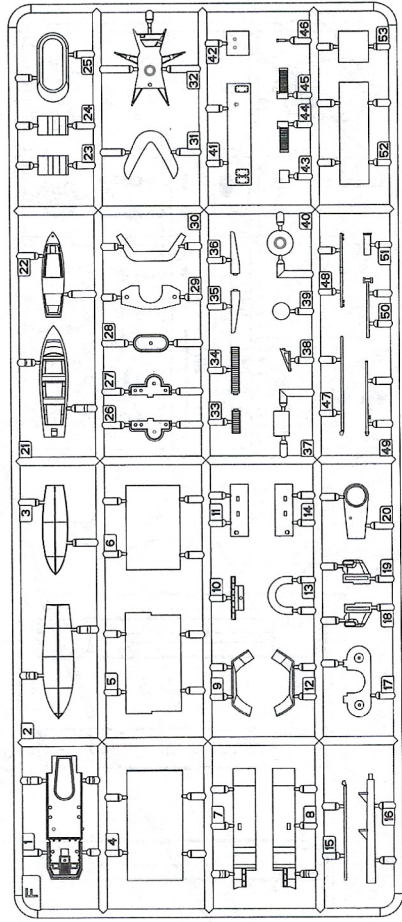
《后甲板》
Rear deck



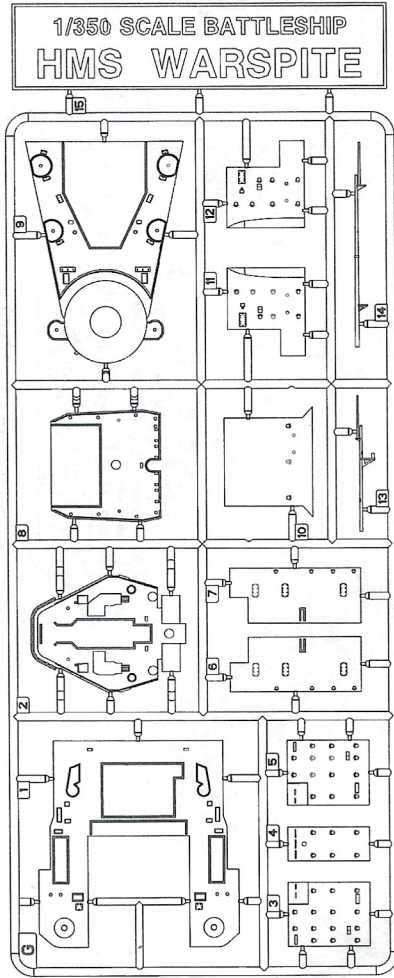
E



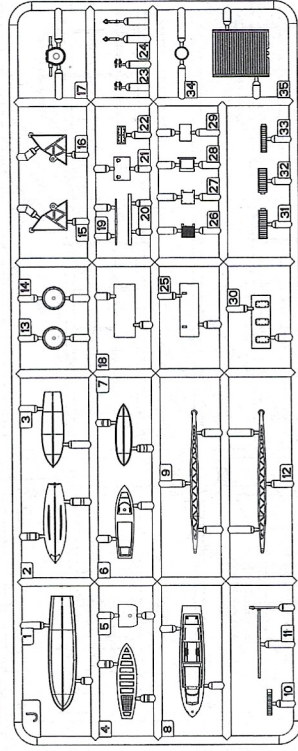
F



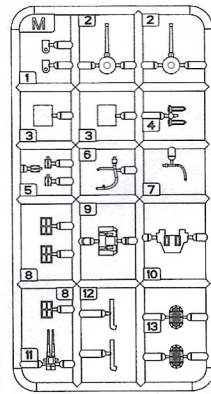
G



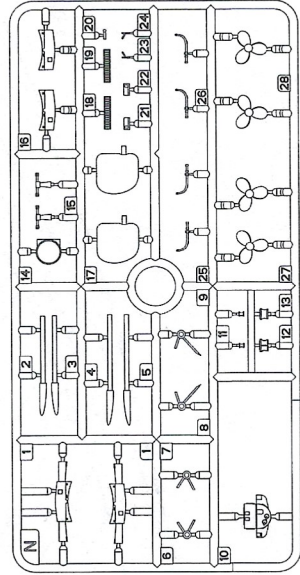
Jx2



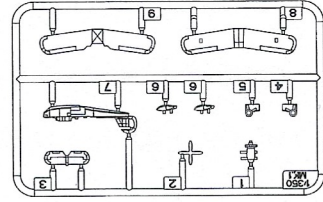
Mx4



N

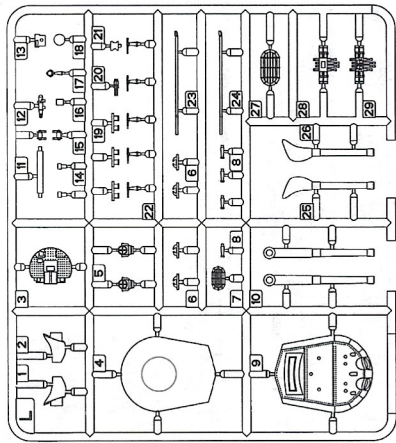


MK.1X2

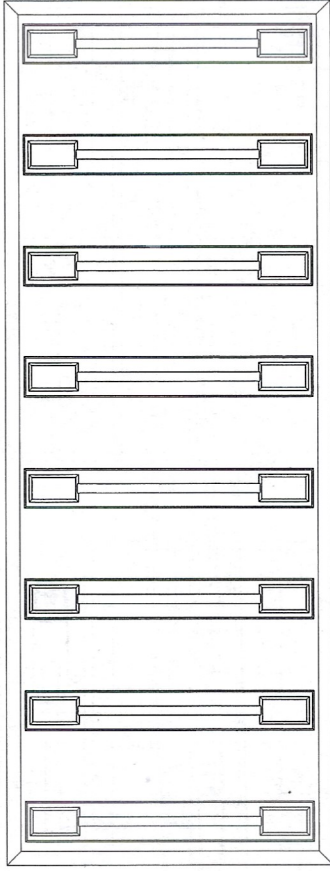


部品图 Parts

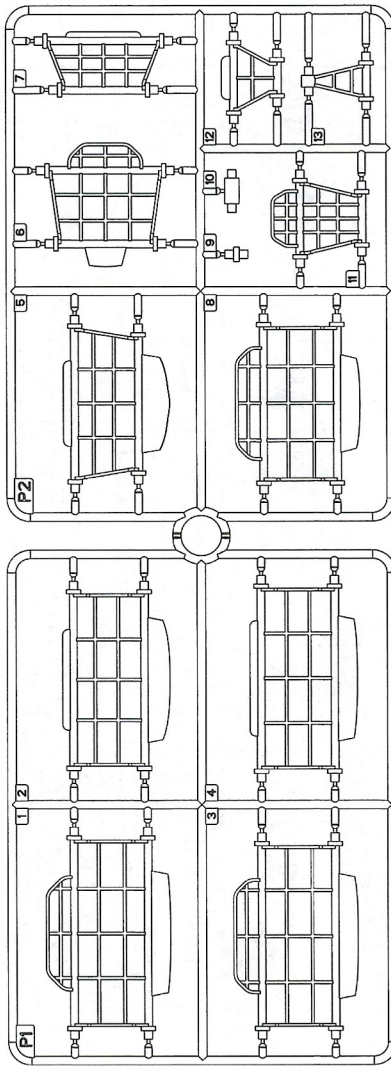
LX4



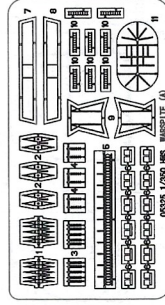
座架 Stand



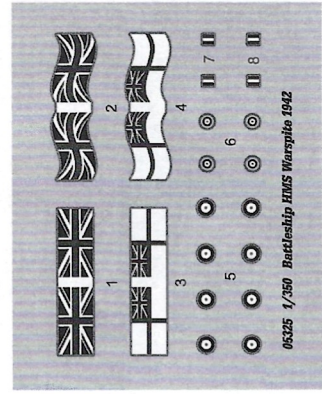
P



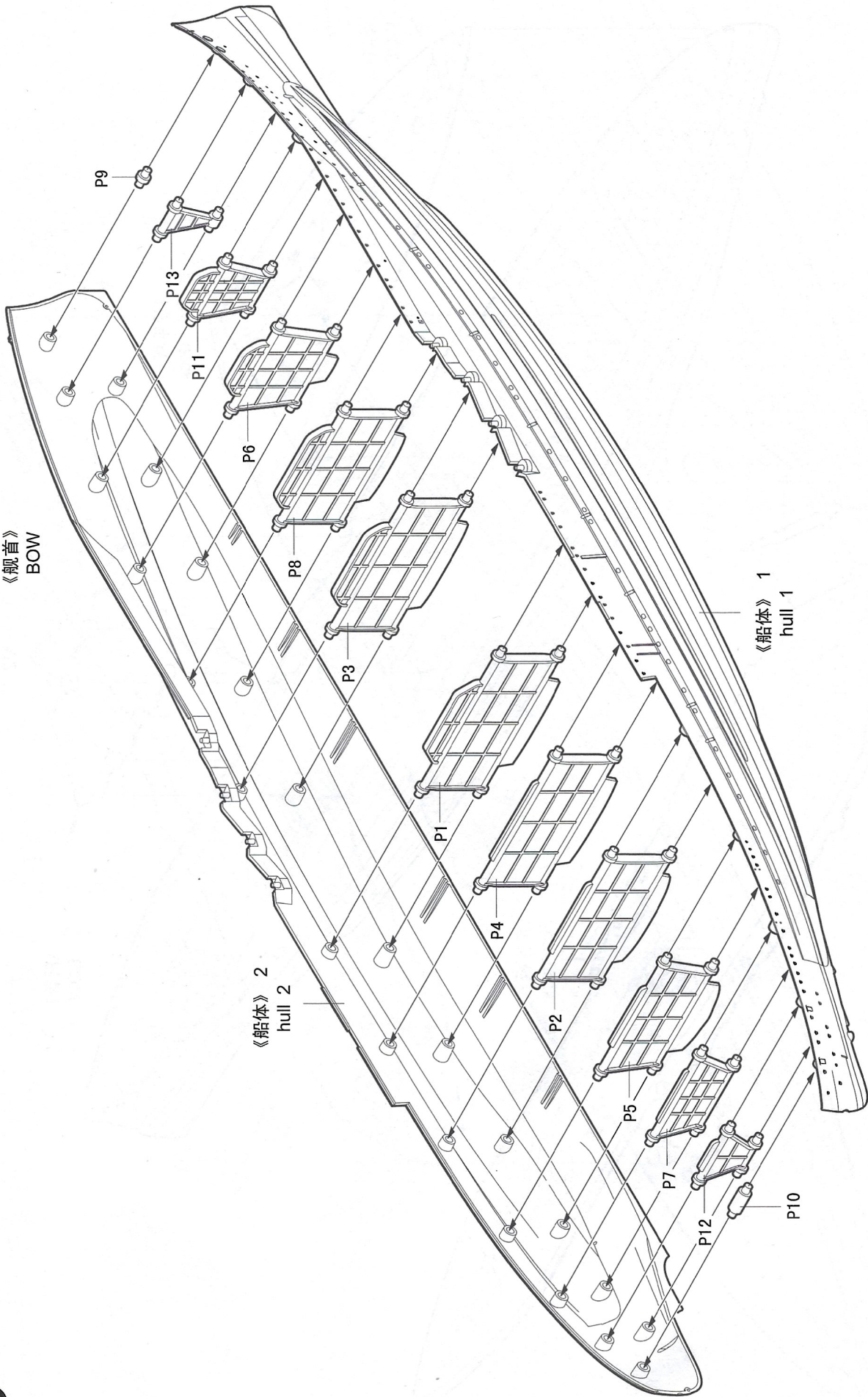
蚀刻片 A Photo Etched A

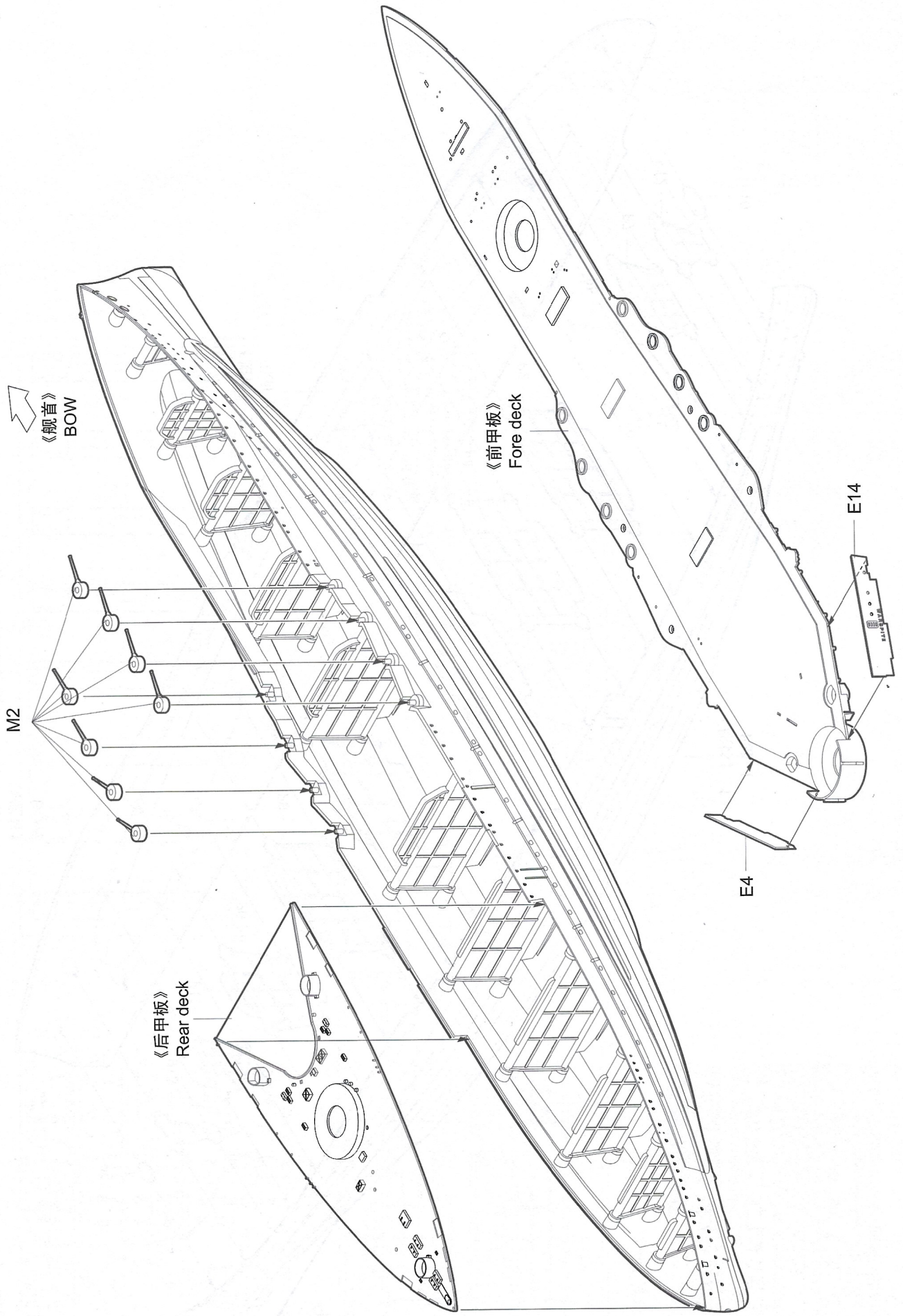


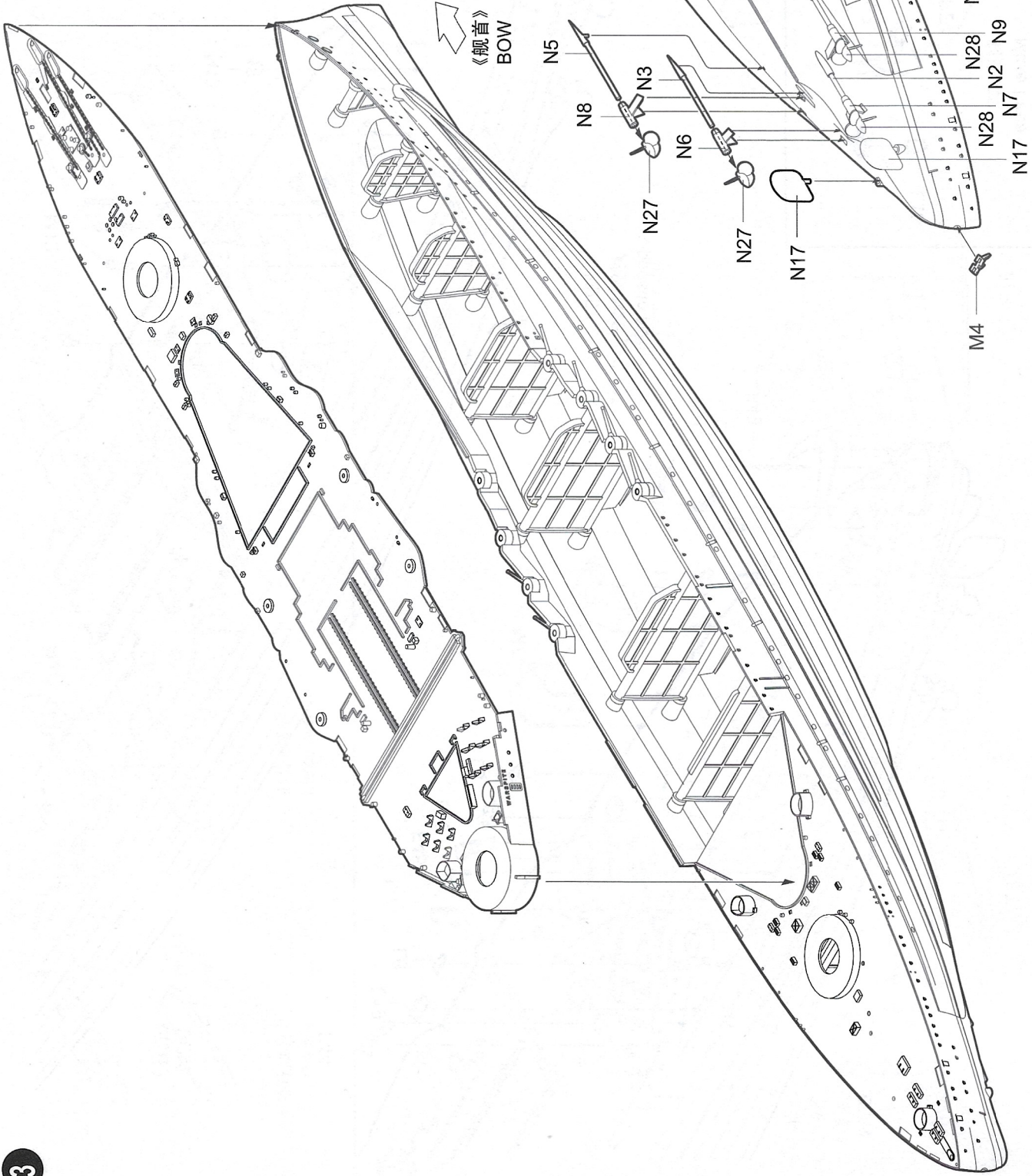
水贴纸 Decal

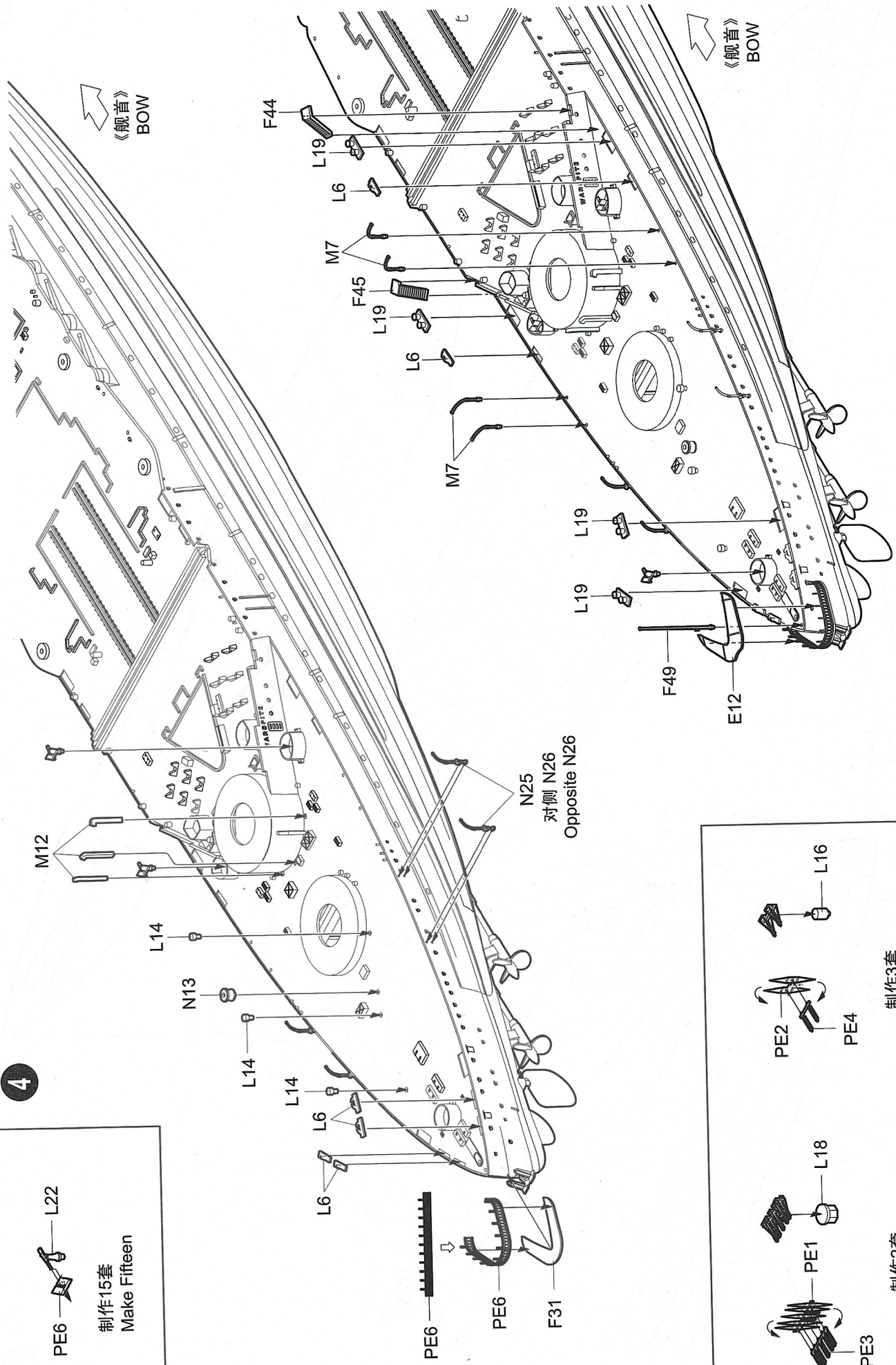


《舰首》
BOW









4

PE6 — L22
制作15套
Make Fifteen

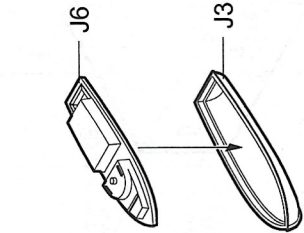
PE3 — L18
制作2套
Make two

PE2 — PE4 — L16
制作3套
Make three

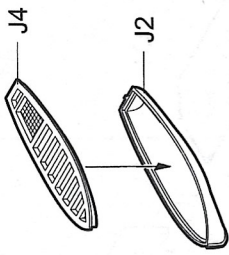
PE6 — F31

N25
对侧 N26
Opposite N26

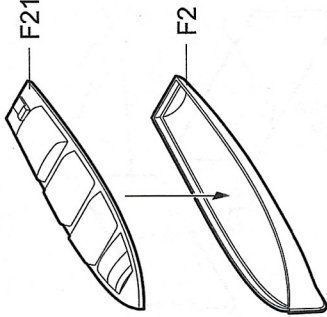
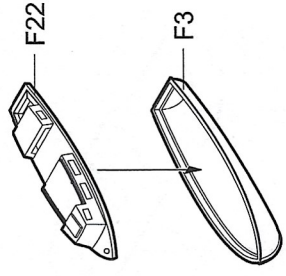
5



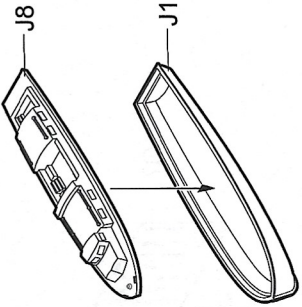
制作2套
Make two



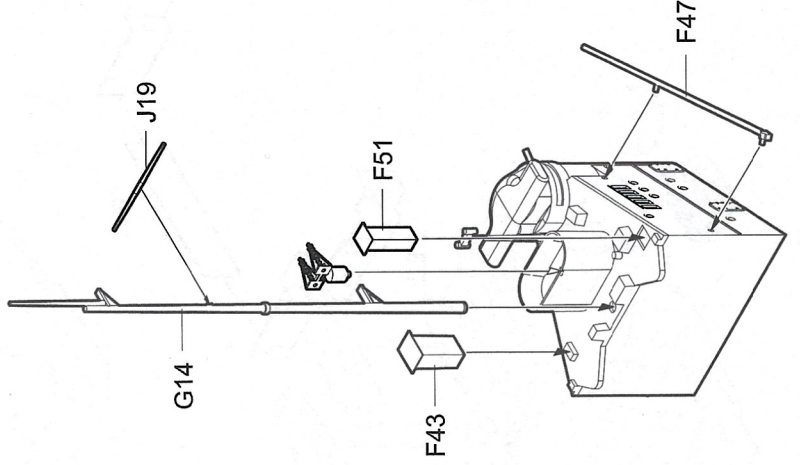
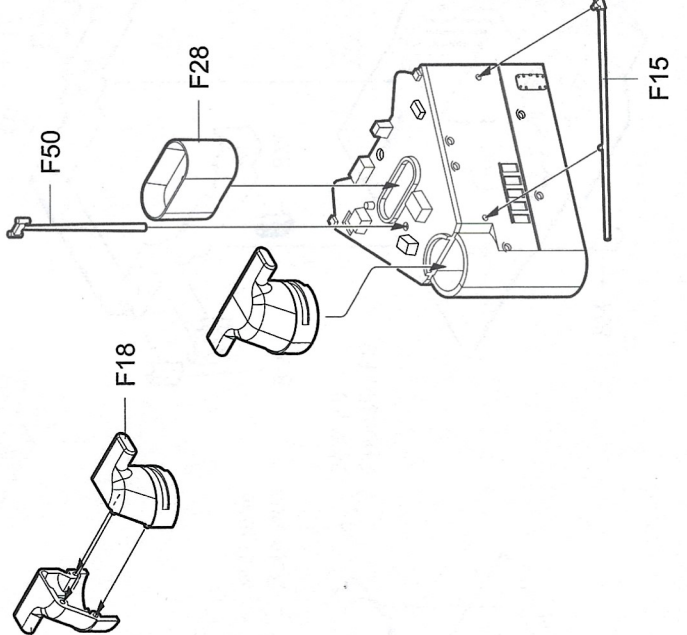
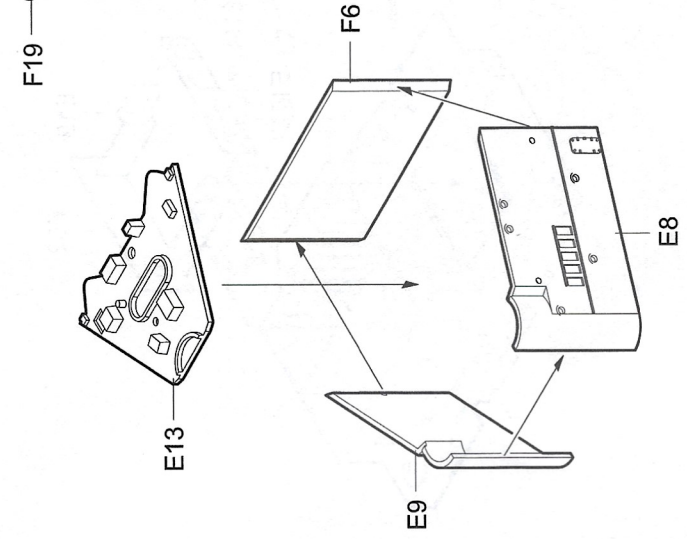
制作2套
Make two



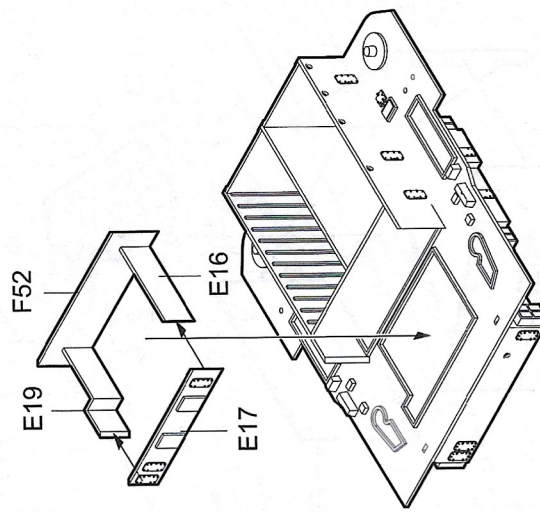
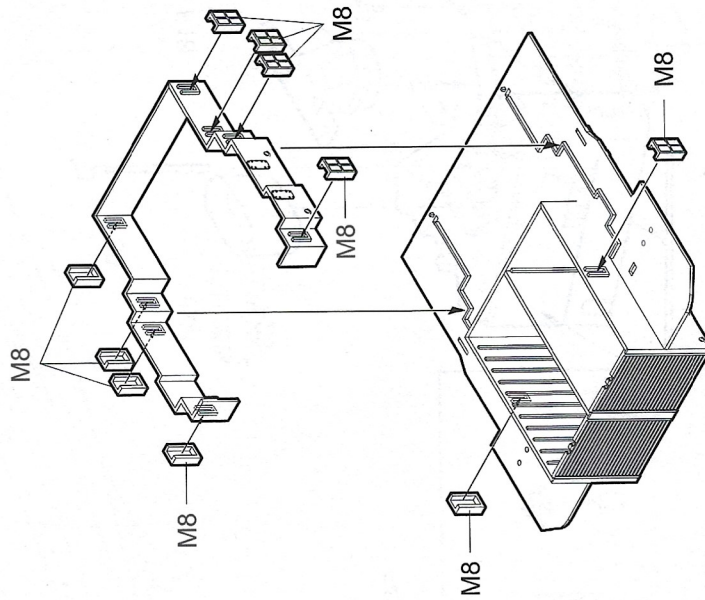
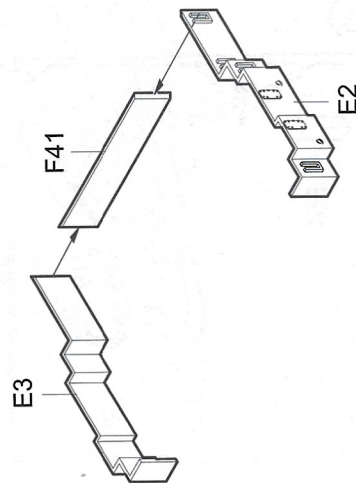
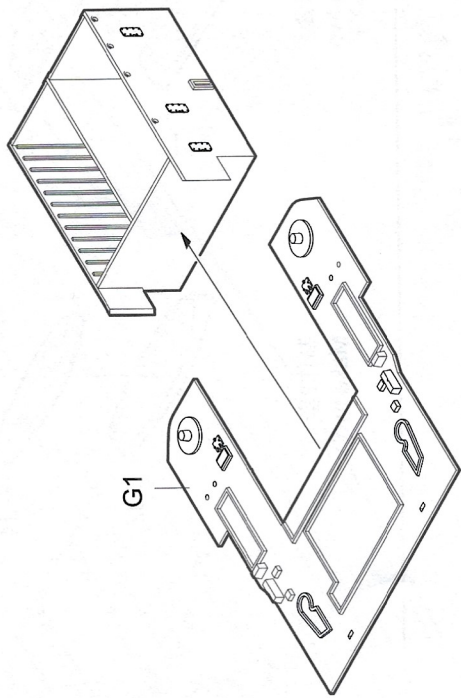
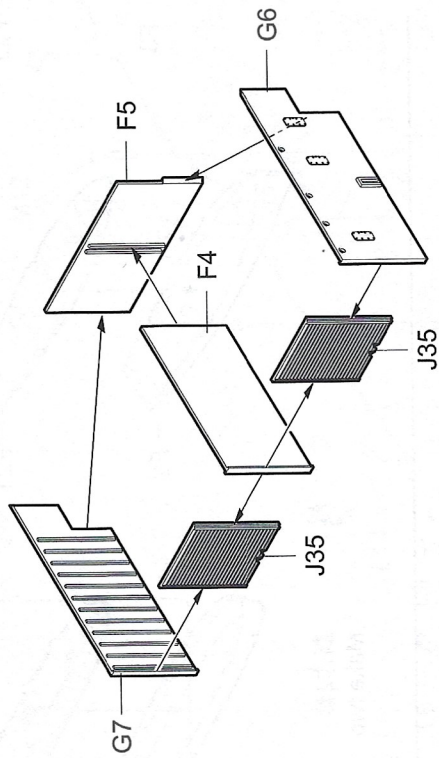
制作2套
Make two



6

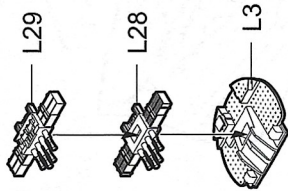


7

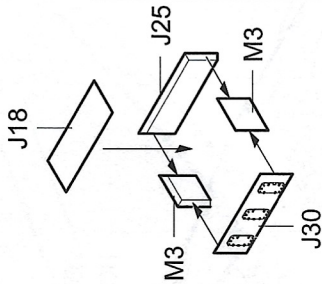


10

05325

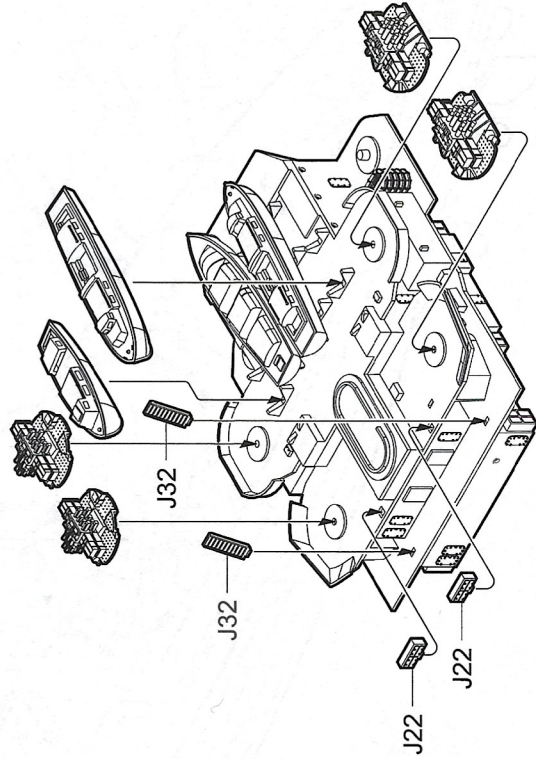
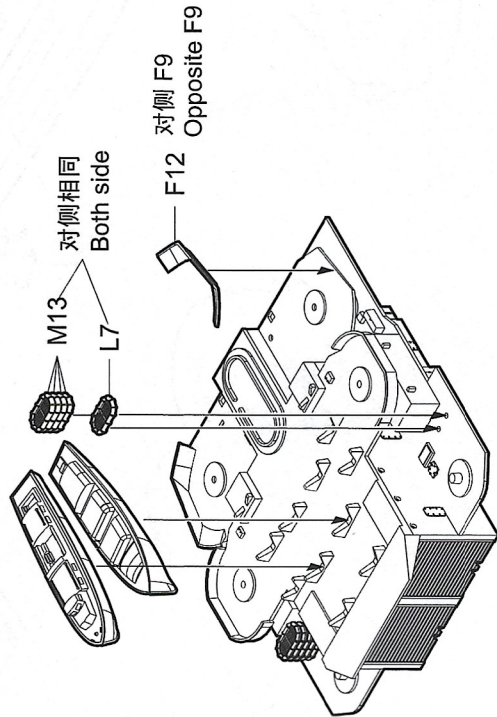
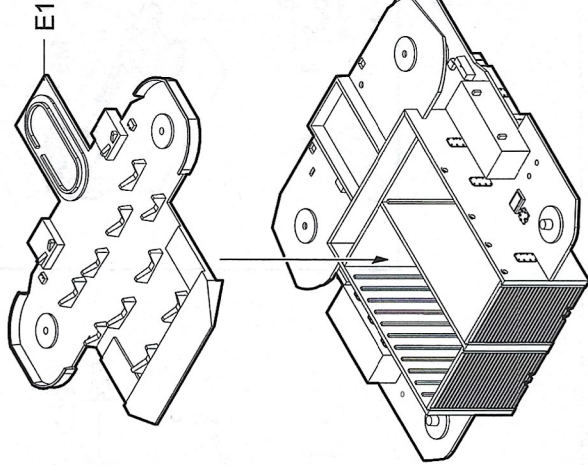
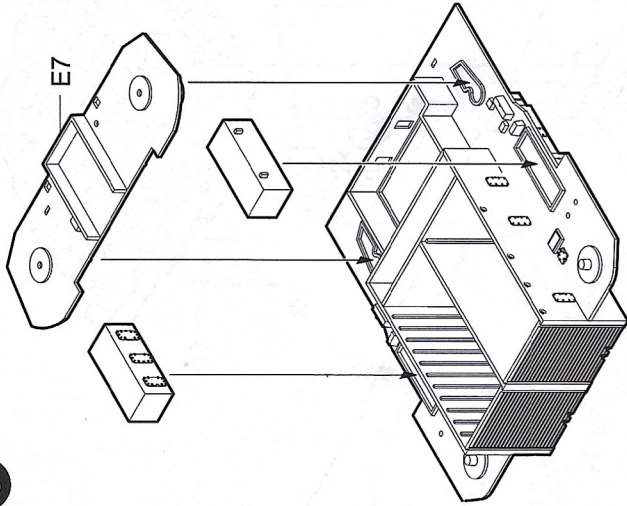


制作4套
Make four

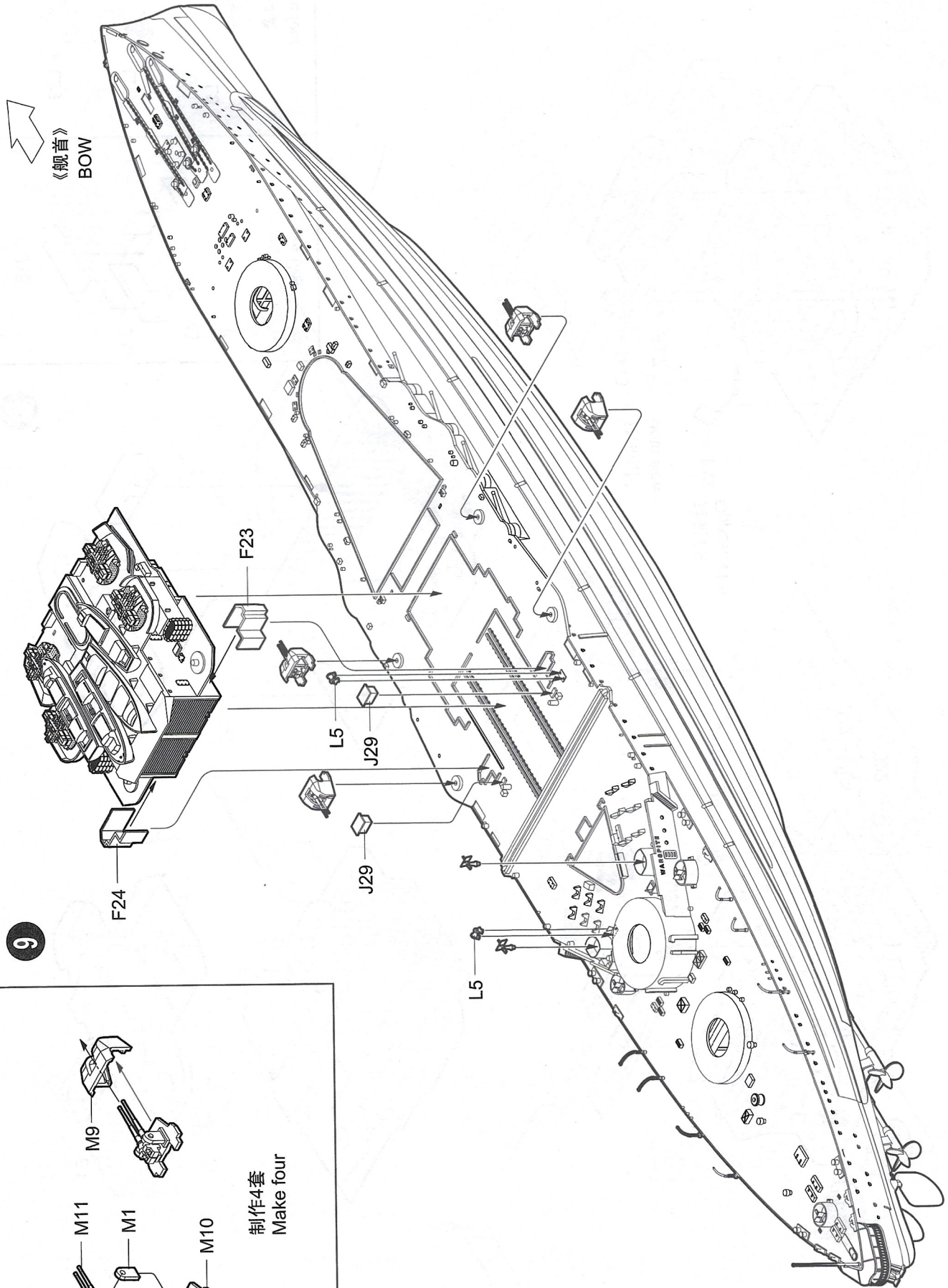


制作2套
Make two

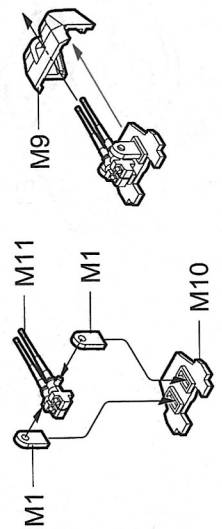
8



《舰首》
BOW

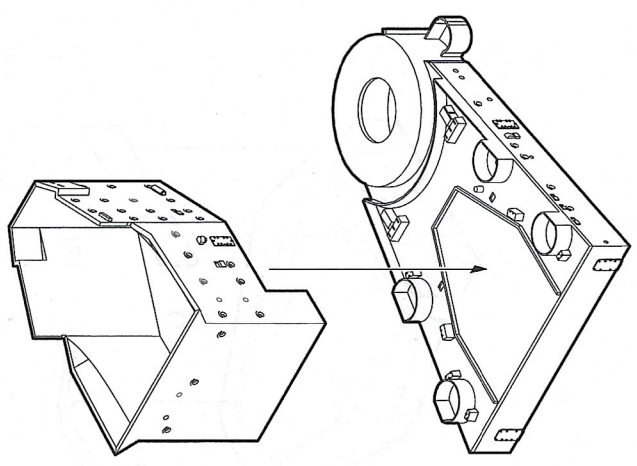
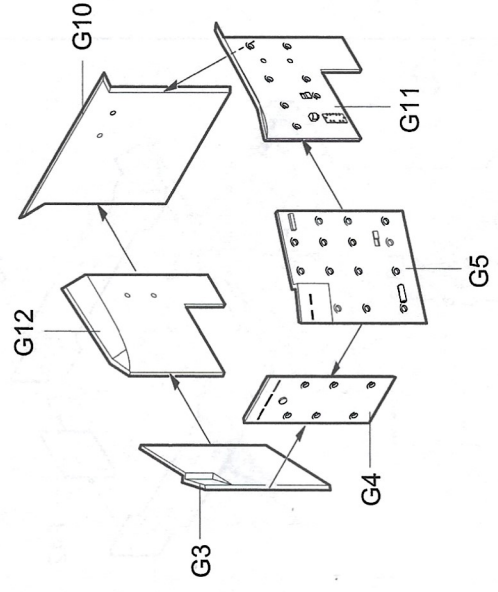
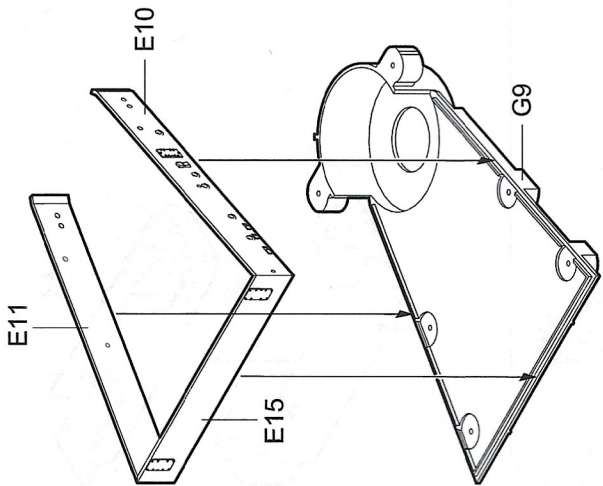


9

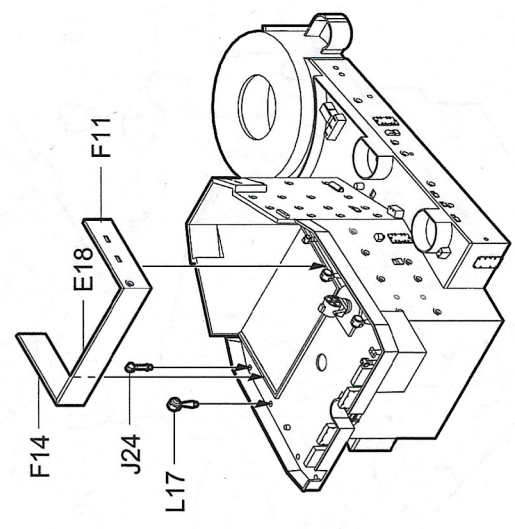
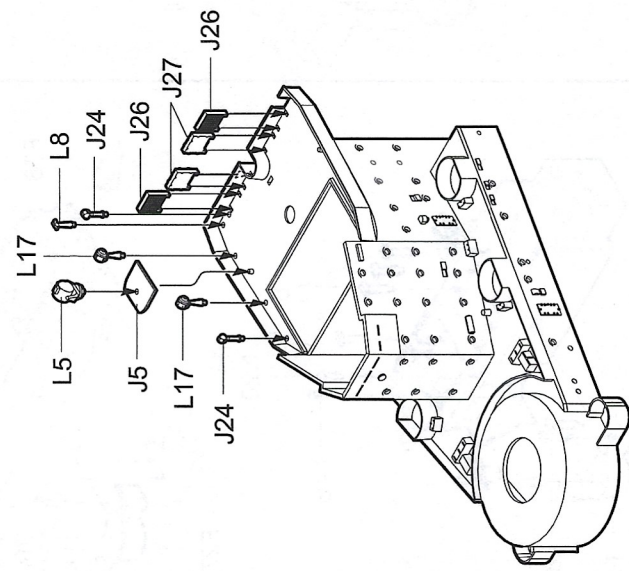
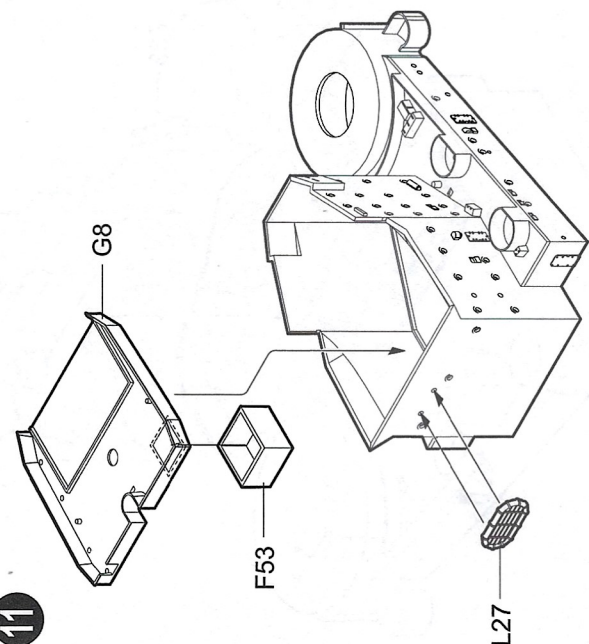


制作4套
Make four

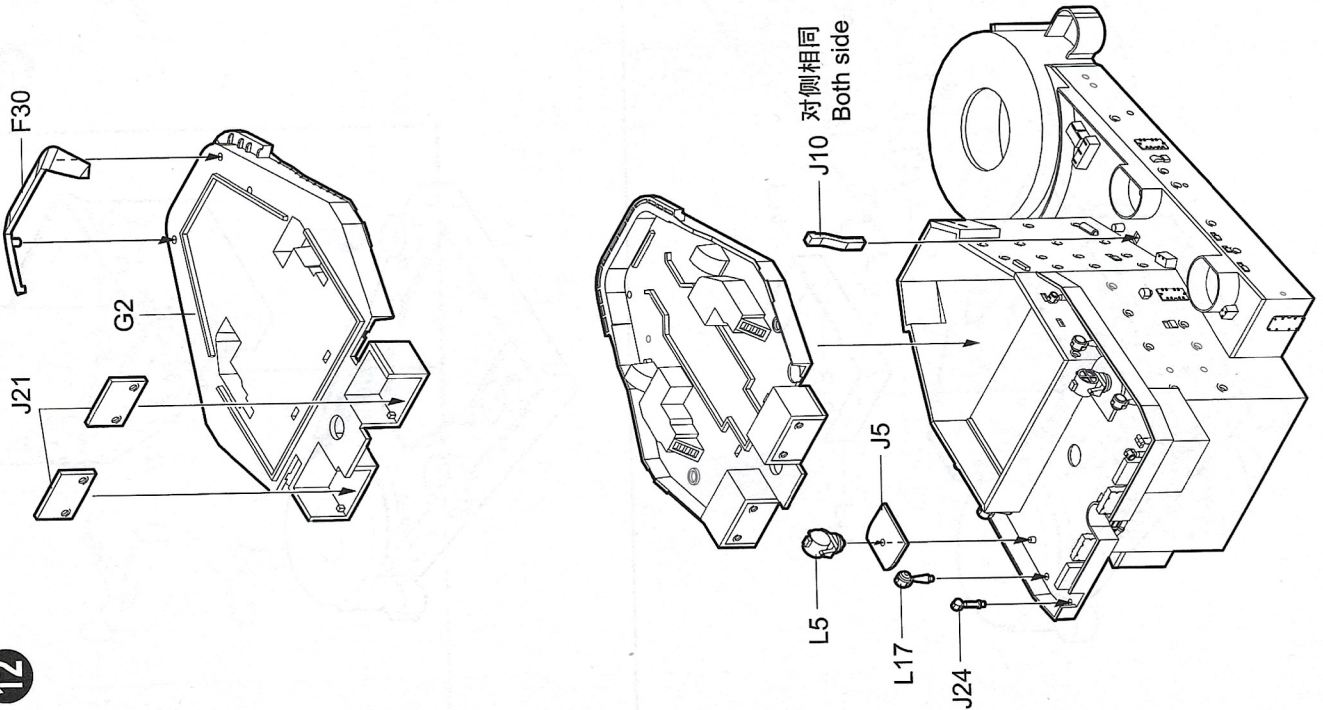
10



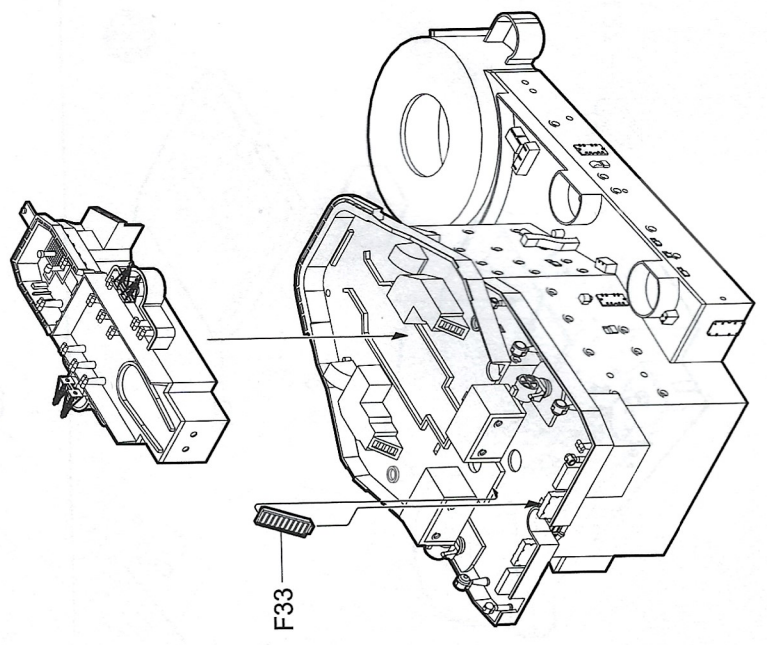
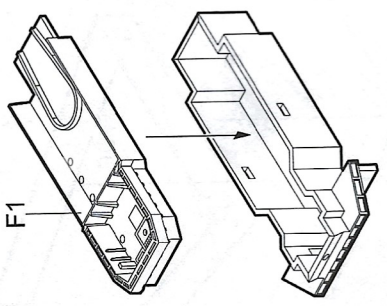
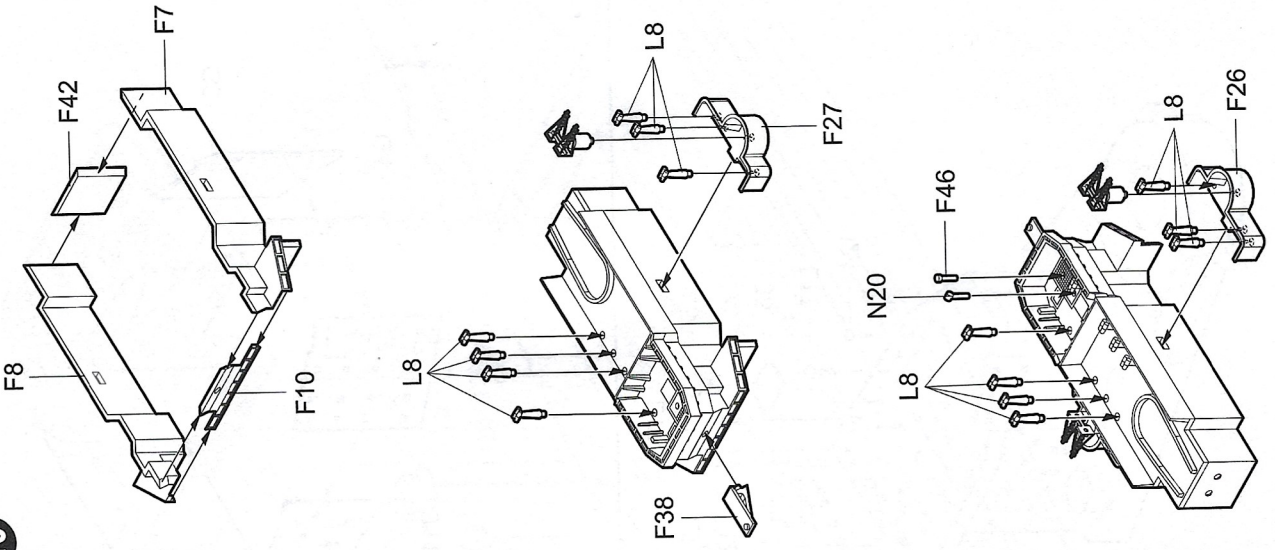
11



12

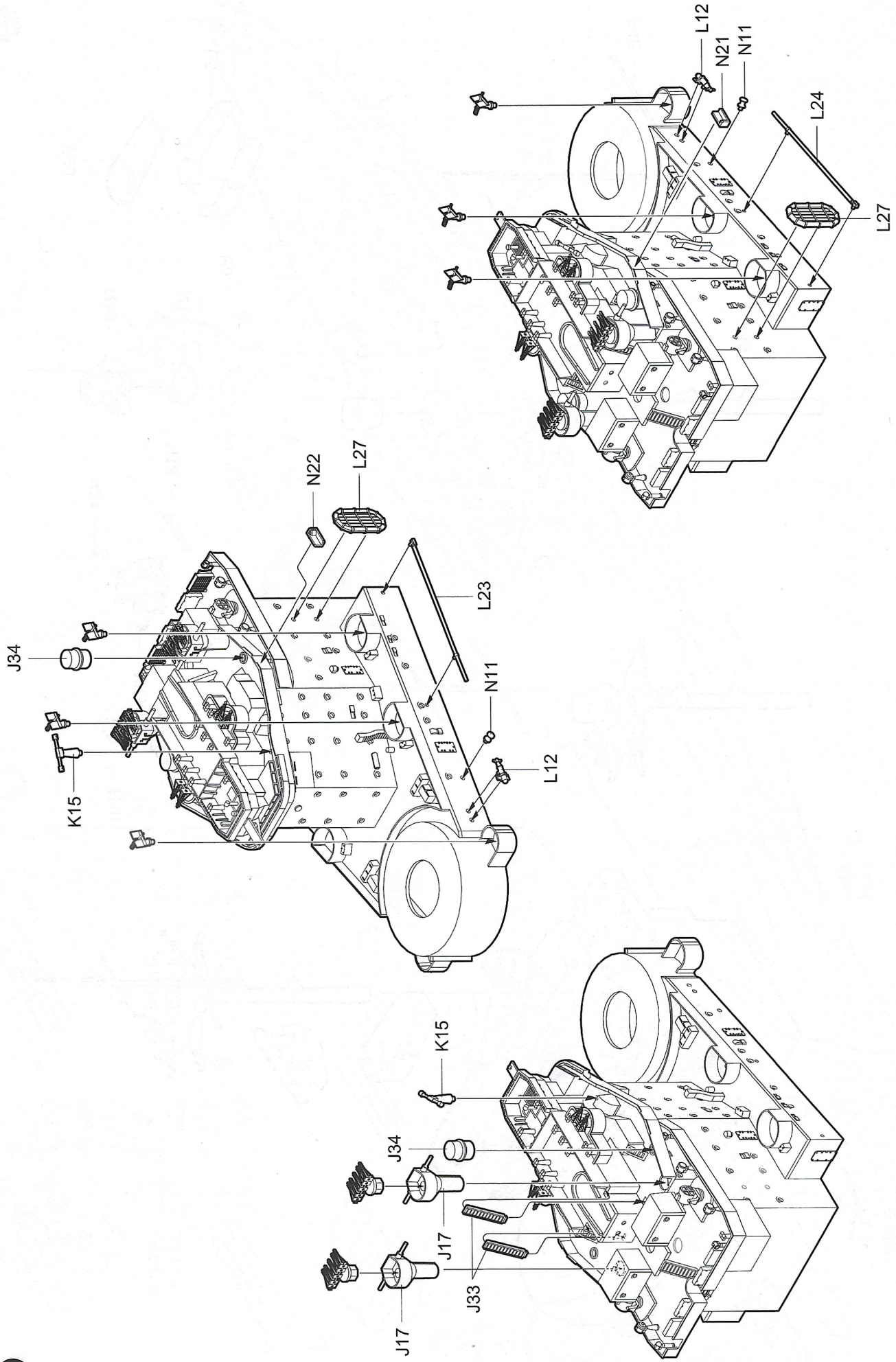


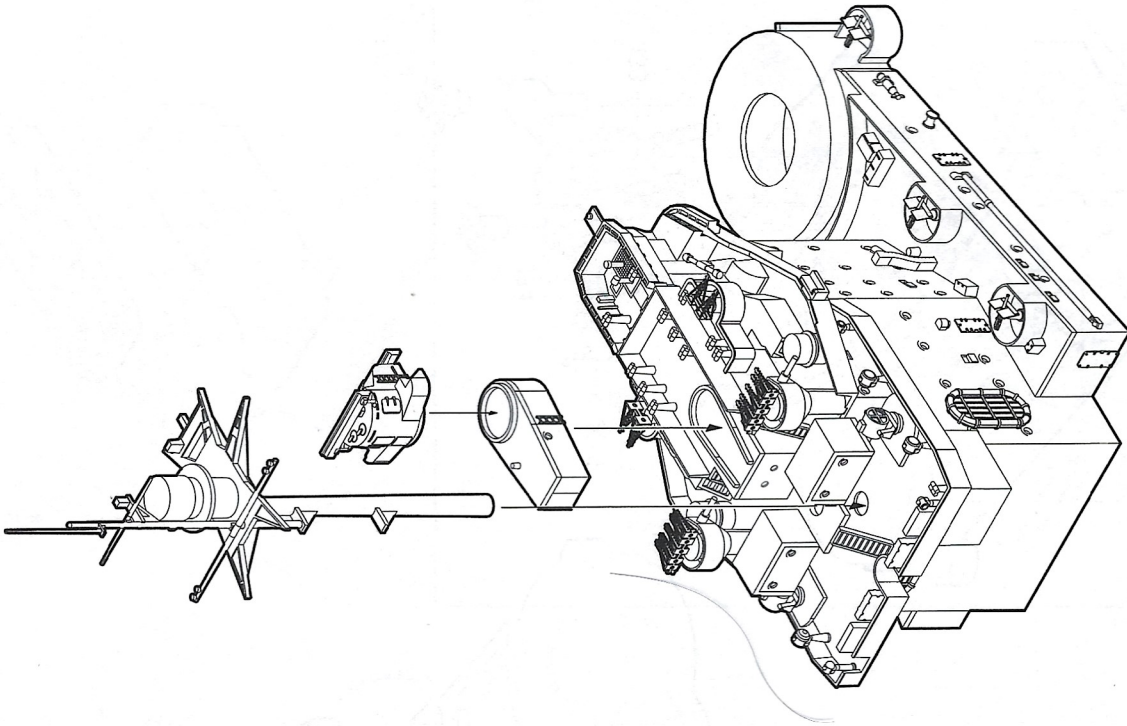
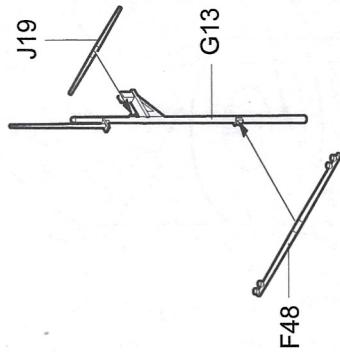
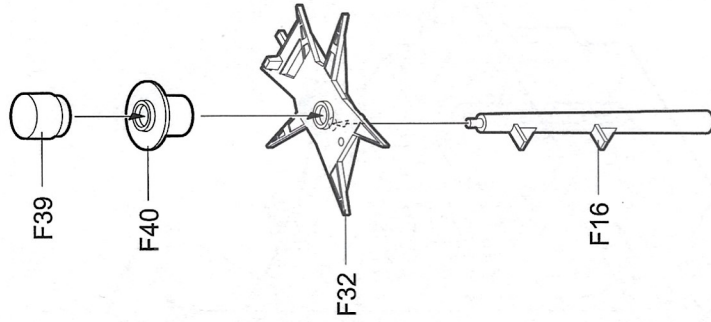
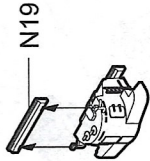
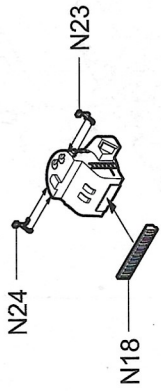
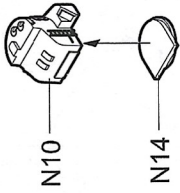
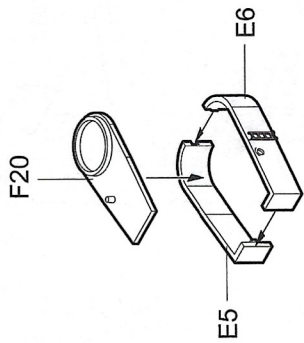
13

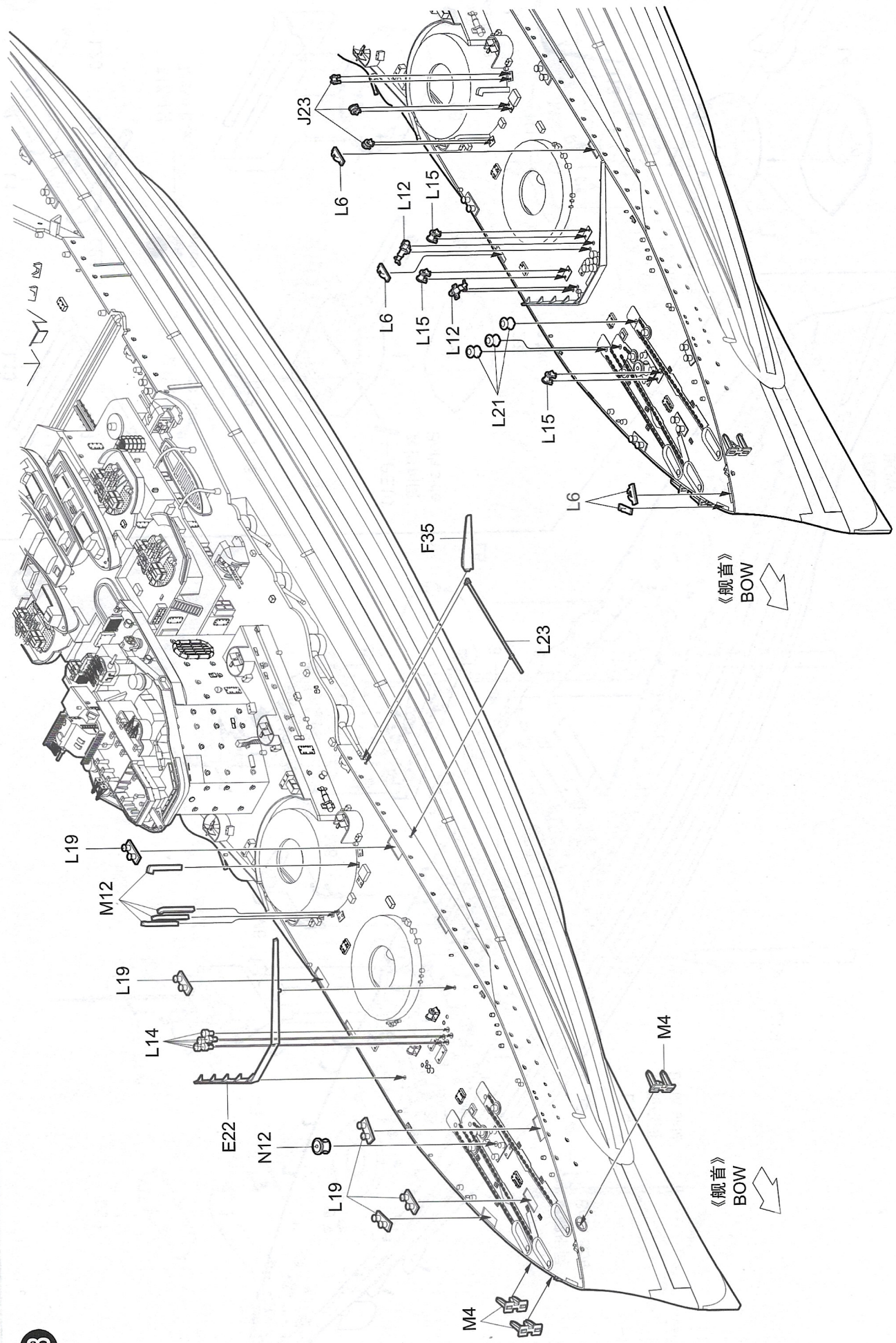


14

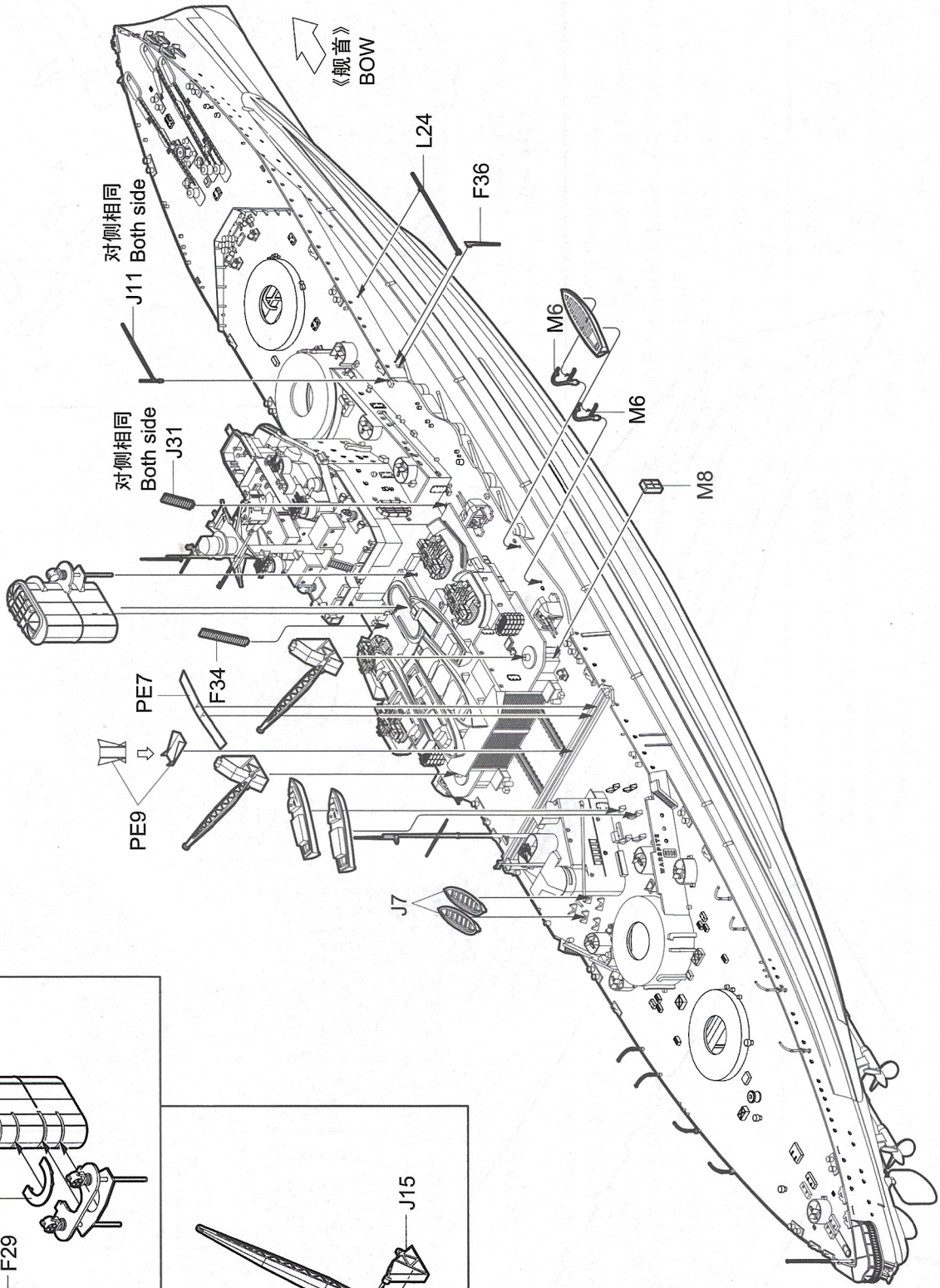
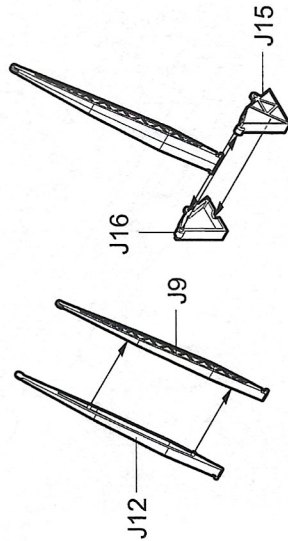
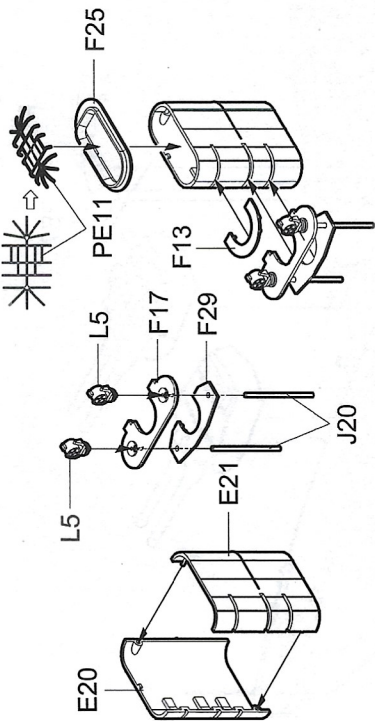
05325



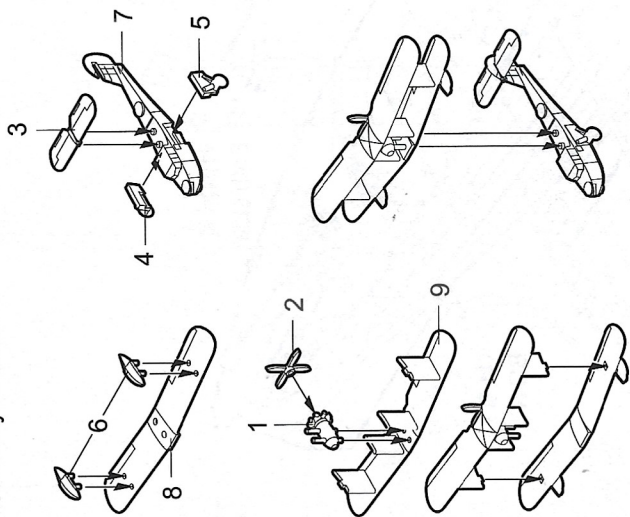




19

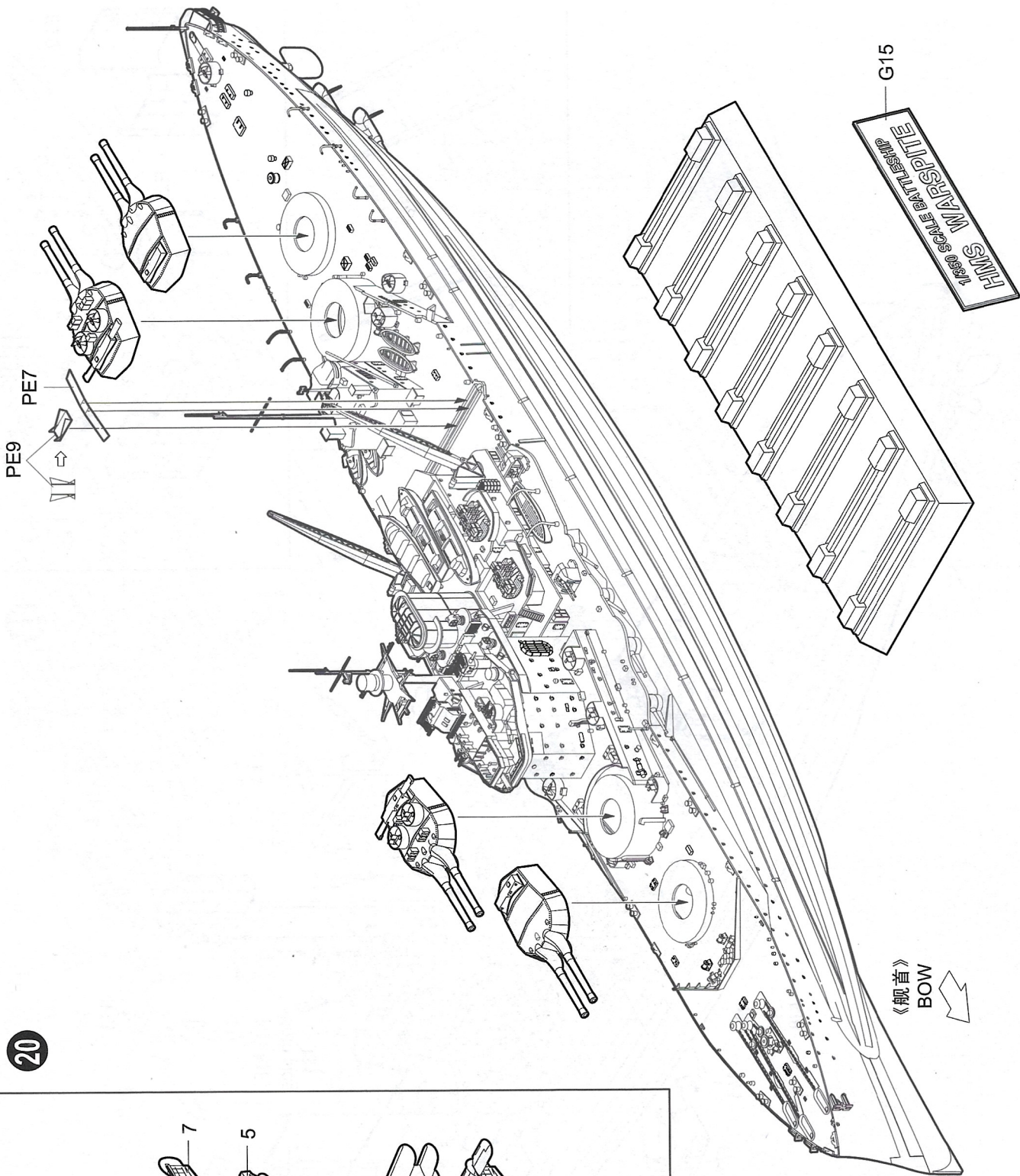


MK.1的组装
Assembly of MK.1



制作2套
Make two

20



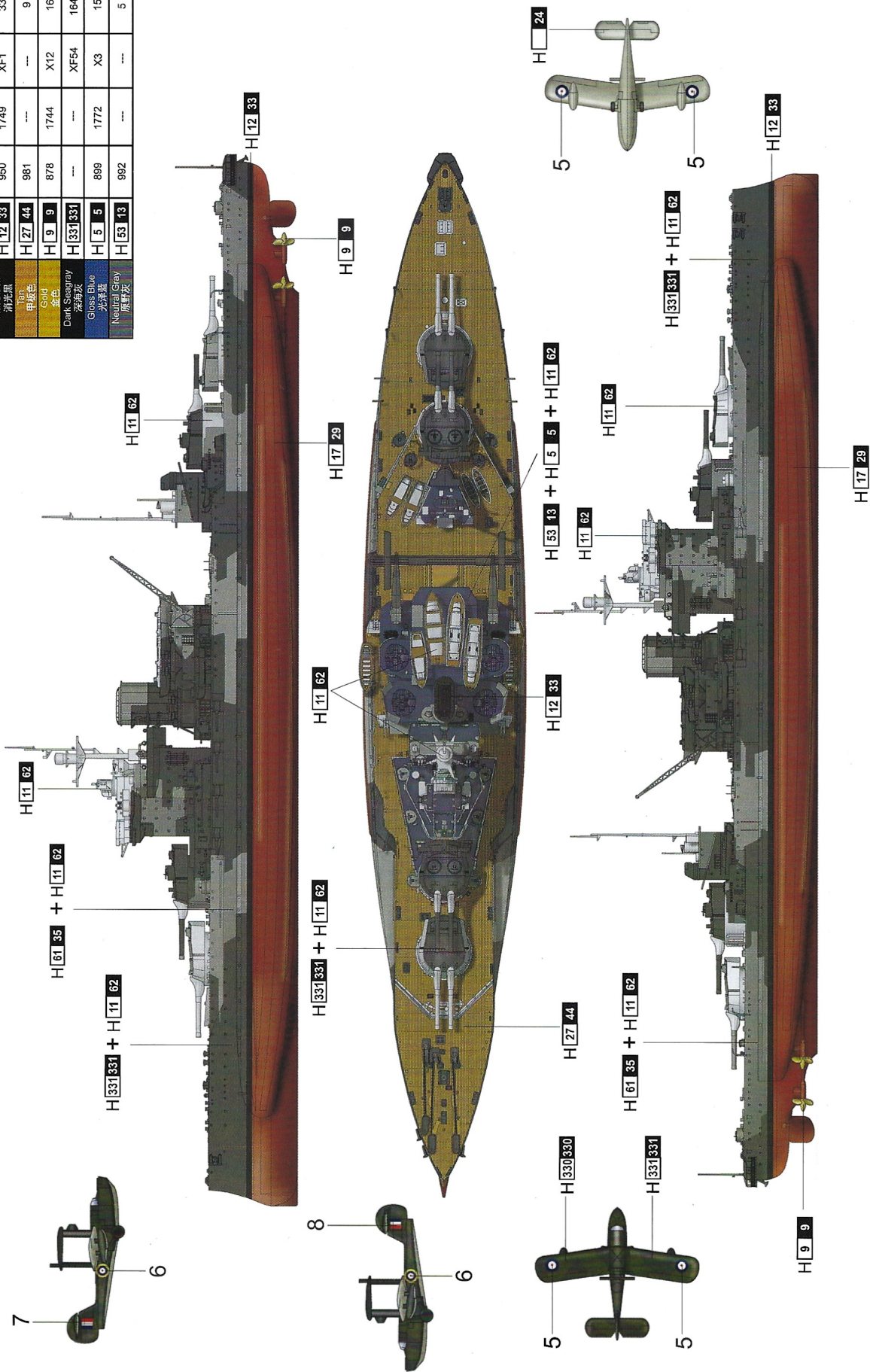
涂装同标贴指示

Painting & Marking guide

PAINT REFERENCE COLOUR

Color	Mr.Hobby	Vallejo	Tamiya	Humbrol
Sky 英国空軍淺藍	H 24	---	---	---
Dark Green 深綠色	H 330 330	892	---	163

Color	Mr.Hobby	Vallejo	Model Master	Tamiya	Humbrol
Light Grey 淺灰色	H 61 35	907	1731	---	146
Full Red 紅色	H 17 29	985	---	XF9	177
White 白色	H 11 62	951	1768	XF2	34
Black 黑色	H 12 33	950	1749	XF1	33
Blue 藍色	H 27 44	981	---	---	9
Gold 金色	H 9 9	878	1744	X12	16
Dark Sea Gray 深海灰	H 331 331	---	---	XF54	164
Glass Blue 光澤藍	H 5 5	899	1772	X3	15
Neutral Grey 灰野灰	H 53 13	992	---	---	5



H|X AQUEOUS HOBBY COLOR X Mr. COLOR

05325 1/350 Battleship HMS Warspite