

# German Fennek LGS - Dutch Version

德国“小狐”轻型装甲侦察车(荷兰型)

1/35 SCALE

## READ BEFORE ASSEMBLY:

- Study and understand these instructions thoroughly before beginning assembly
- When needed, remove photo-etch parts carefully using a modeling knife or photo etch sprue cutter, being careful not to damage or lose small parts.
- Take extra care in handling photo etch parts in order to avoid injury
- Apply instant cement sparingly to photo etch parts where instructed
- Tools recommended(not included in kit):Plastic and instant cements, sprue cutters,long nose pliers,modeling knife, small files, tweezers, pin vise & scissors. Soft cloth and sandpaper will also assist-in construction
- Glue and paint are not included in the kit. Use plastic cement and hobby paints only. Color guide for purchasing paint is included in the kit.

## 装配之前仔细阅读

- 小心用模型锉刀锉平所有零件表面的注射浇口。
- 小心用刀片切下蚀刻片零件，不要遗失小零件。
- 用强力快干胶水粘合蚀刻片零件和金属轴。过量快干胶水使用可能导致可动零件会粘住，小心涂胶。
- 取蚀刻片时应特别注意安全，防止利边划伤手指。
- 某些零件表面需贴上水贴纸，请选择在装配的同时进行。
- 推荐模型工具(自备)：胶水，水口剪刀，长咀钳，刀片，锉刀，镊子，钳，钻，剪刀，瞬间快干胶。
- 软布同砂纸同时也应该是必备工具。
- 请使用塑料胶水和油漆，模型内不含。



配重  
Weight



使用强力胶  
Cyanoacrylate glue



钻孔  
Make hole



切除  
Cut / Remove



贴纸  
Decal



锉平  
File / Sand



选择  
Option



不涂胶水  
No cement



弯曲  
Bend

## 水贴纸的使用:

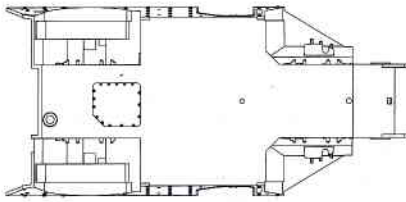
- 1.从水贴上剪下印花;
- 2.将印花放入温水中浸10秒, 然后放在干净布上。
- 3.拿着印花纸板将印花移到模型上;
- 4.手指蘸水将印花移到适当的位置;
- 5.用软布轻压印花直至水干, 汽泡消失

## DECAL APPLICATION

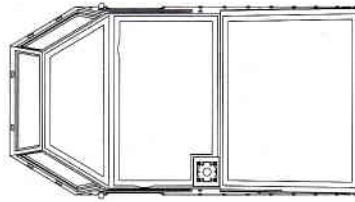
- 1.Cut decals from sheet as needed
- 2.Dip the decal in warm water for about 10 seconds and then place on soft clean cloth.
- 3.Hold the decal backing sheet edge and gently slide the decal onto the model in its proper position.
- 4.While still wet,decal can be adjusted for better fit on model by dampening it gently with your finger.
- 5.When placed in the proper position,gently press decal down with a soft cloth until excess water and air bubbles are gone.
- 6.Allow decal to dry completely before handling model

部品图  
parts

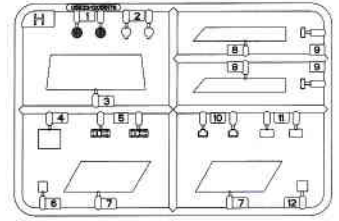
《车底》  
Lower hull



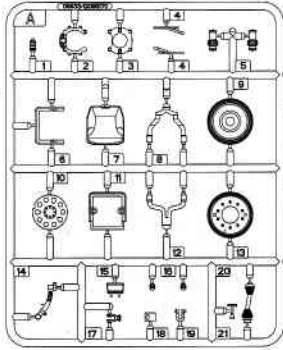
《车面》  
Upper hull



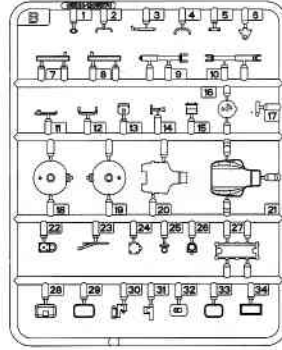
H



Ax4



Bx2



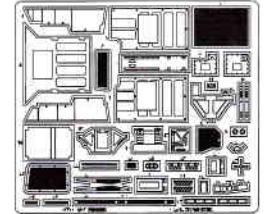
《轮胎》×4  
Tyre



《水贴纸》  
Decal



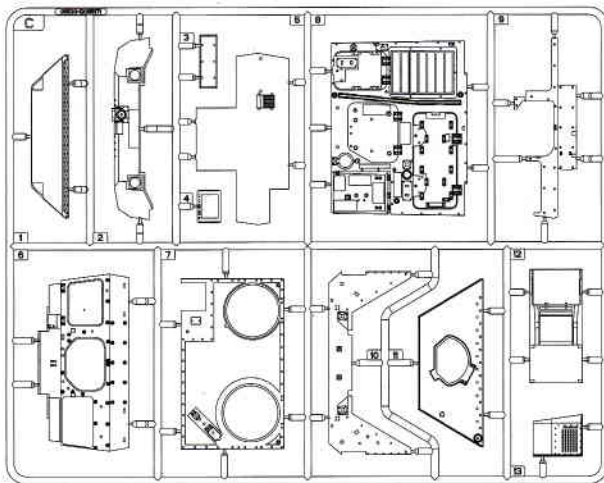
《蚀刻片》  
PE



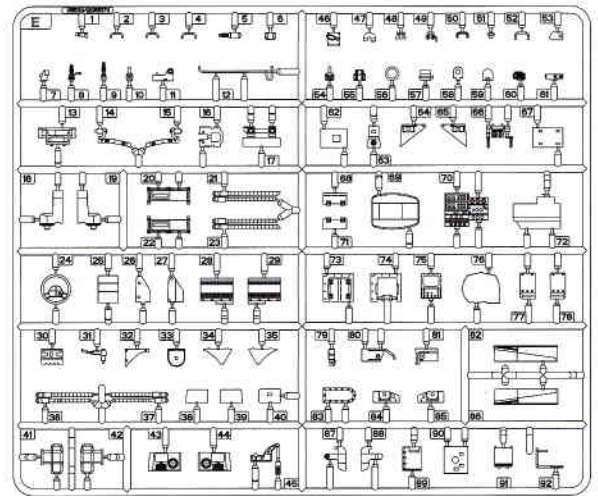
聚乙烯套  
Poly cap



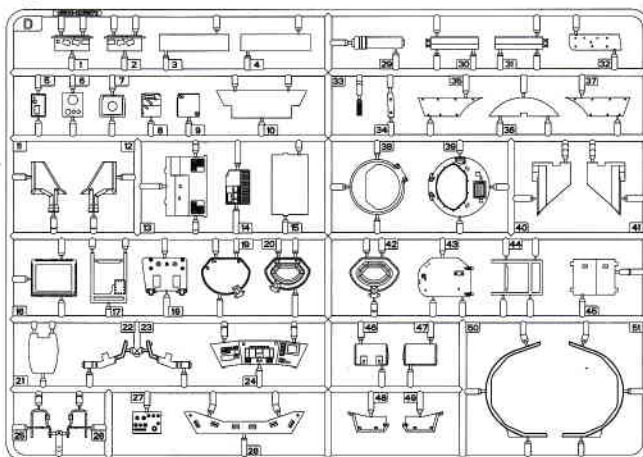
C



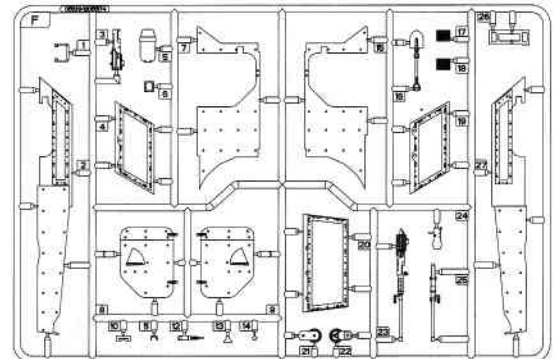
E



D



F

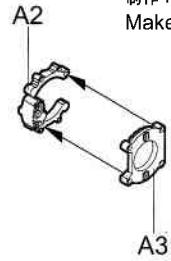


不用部品: A4x2,A5x2,A6x1,A7x1,A11x1,A14x2,A15x1,A16x2,A19x4,A21x2,B5X2,B24x2,E9,E13,PE7,  
Unused parts PE30,PE32,PE33,PE34.

1

《车底》  
lower hull

制作4组  
Make four



A1 对侧相同  
Both sides

B13

A1 对侧相同  
Both sides

E84对侧E85  
Opposite

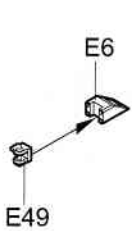
E36对侧E37  
Opposite

B14 对侧相同  
Both sides

A21 对侧相同  
Both sides

E23对侧E21  
Opposite

E6



D13

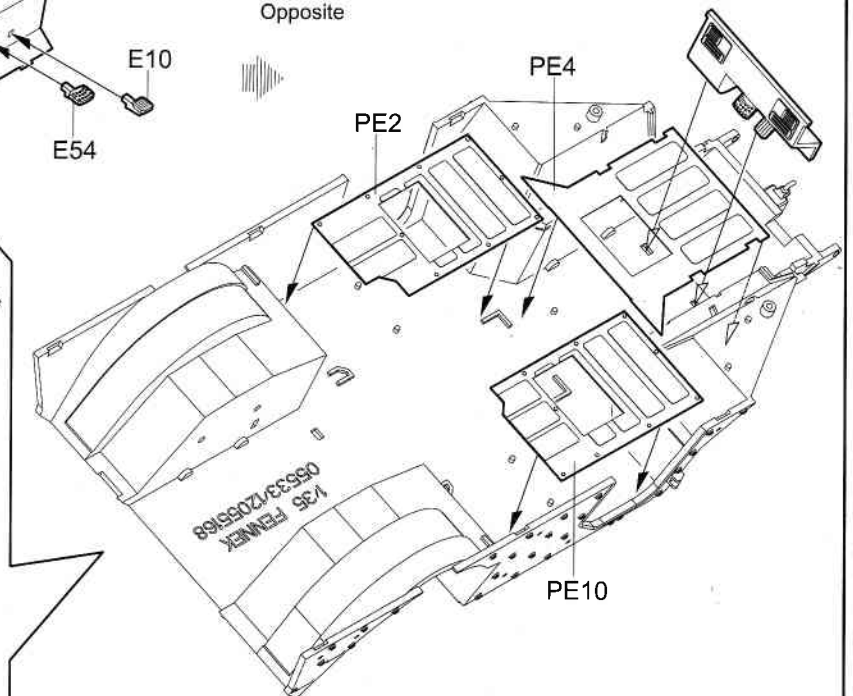
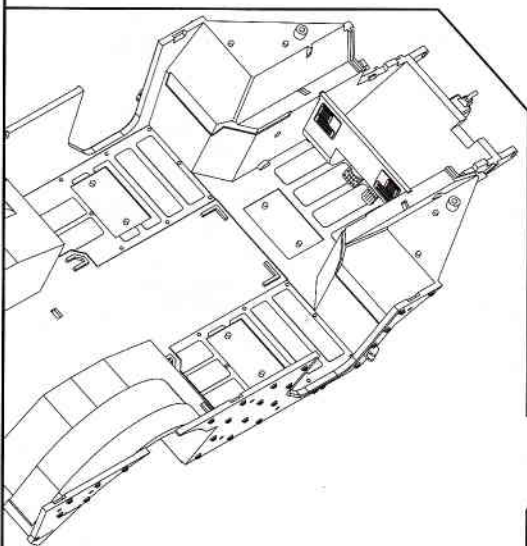
E10

E54

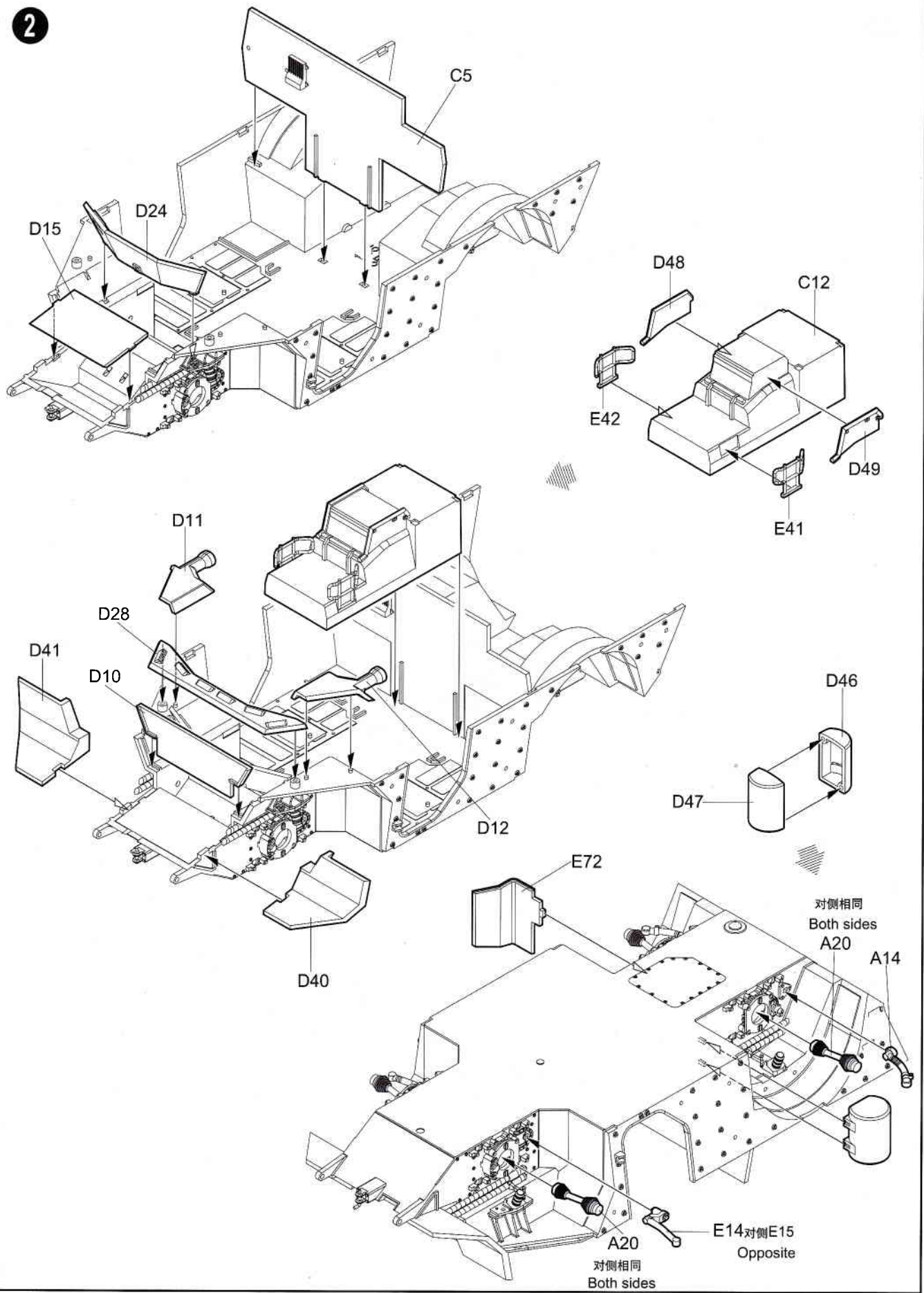
PE4

PE2

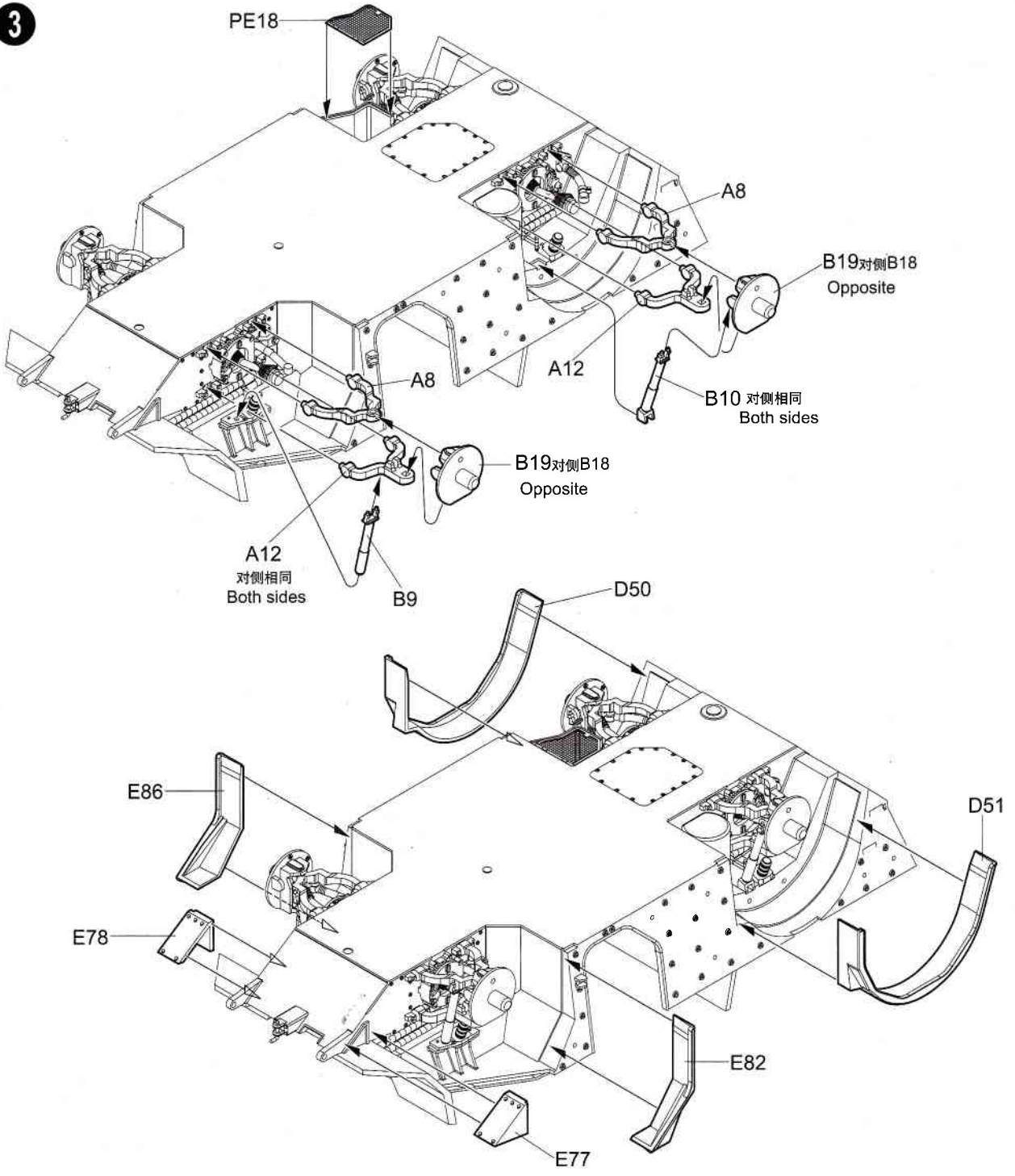
PE10



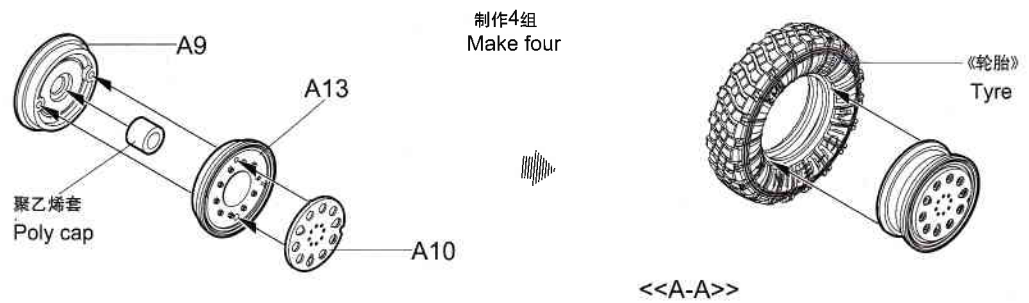
2



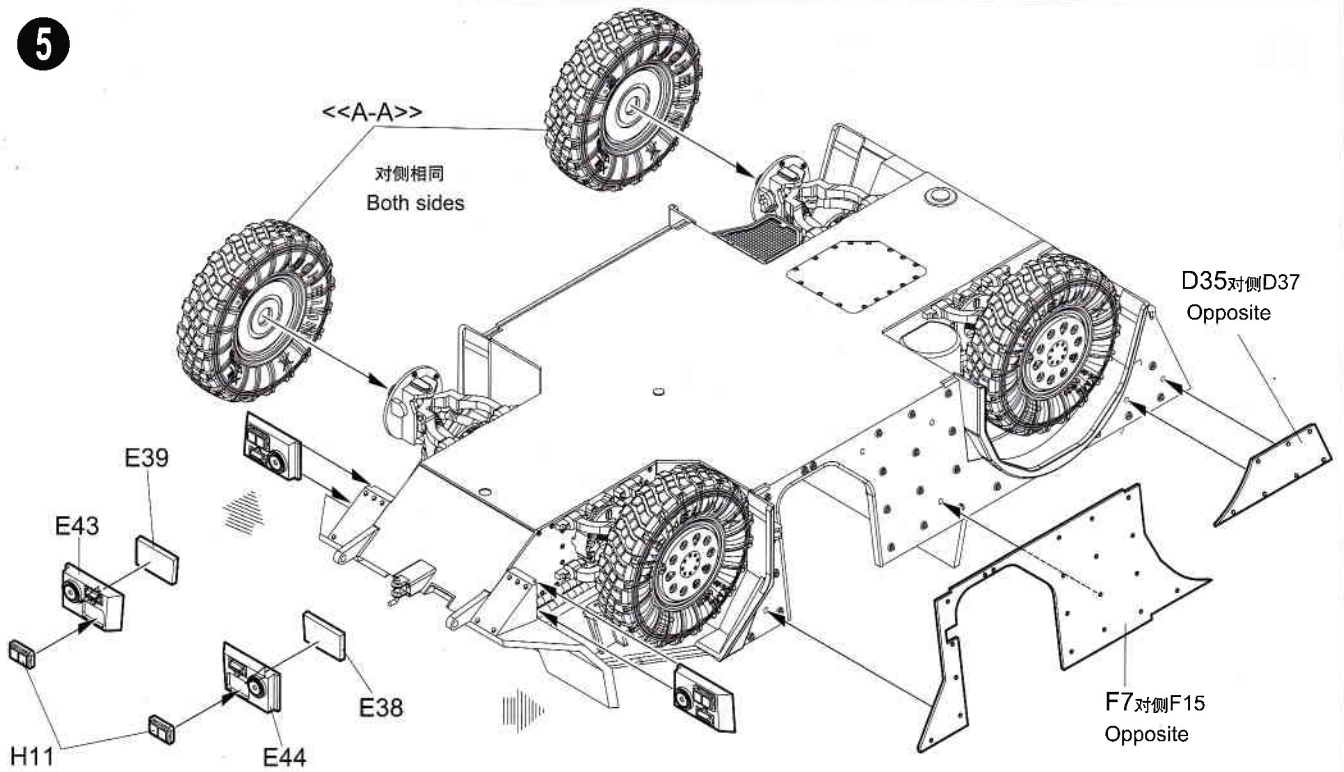
3



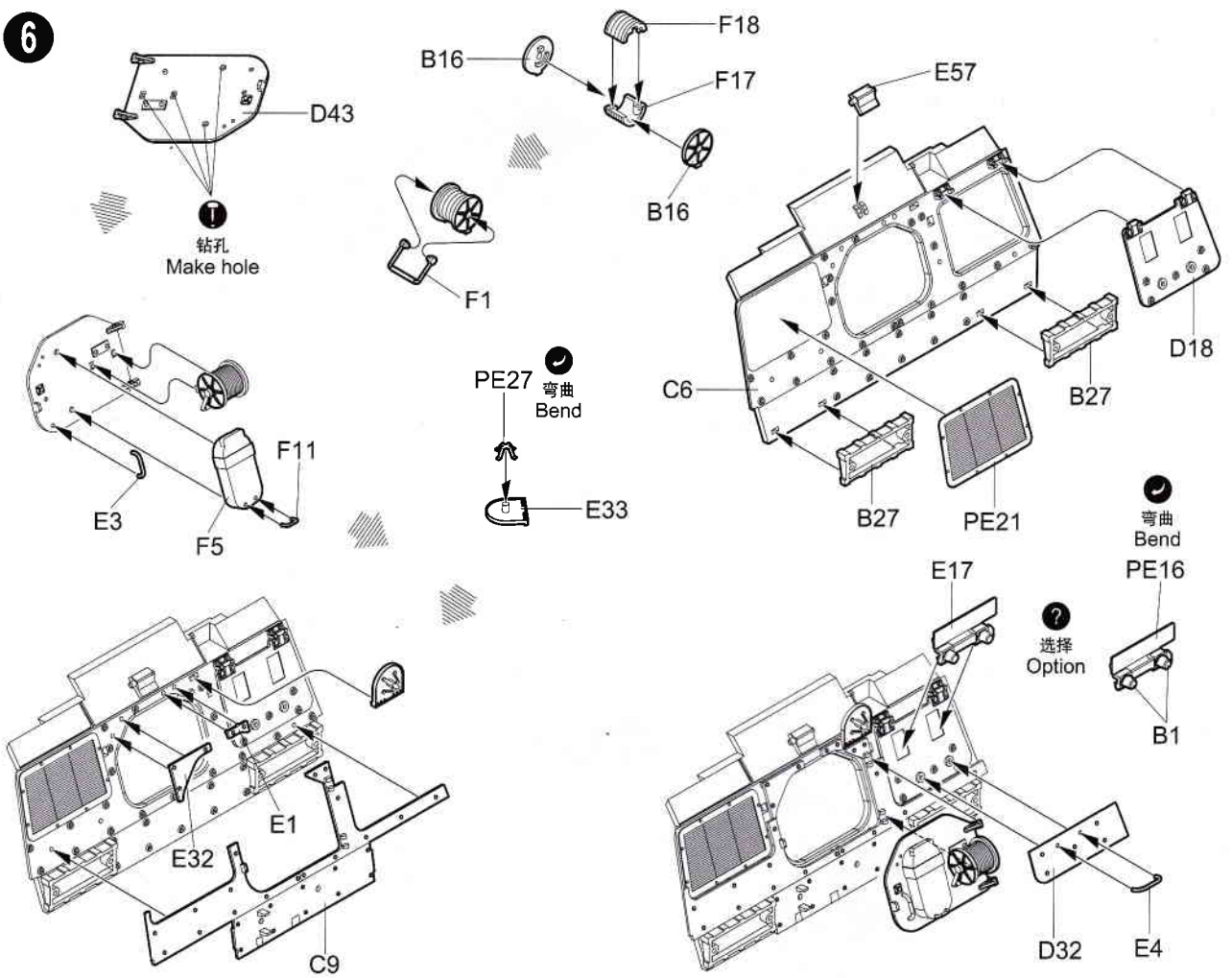
4



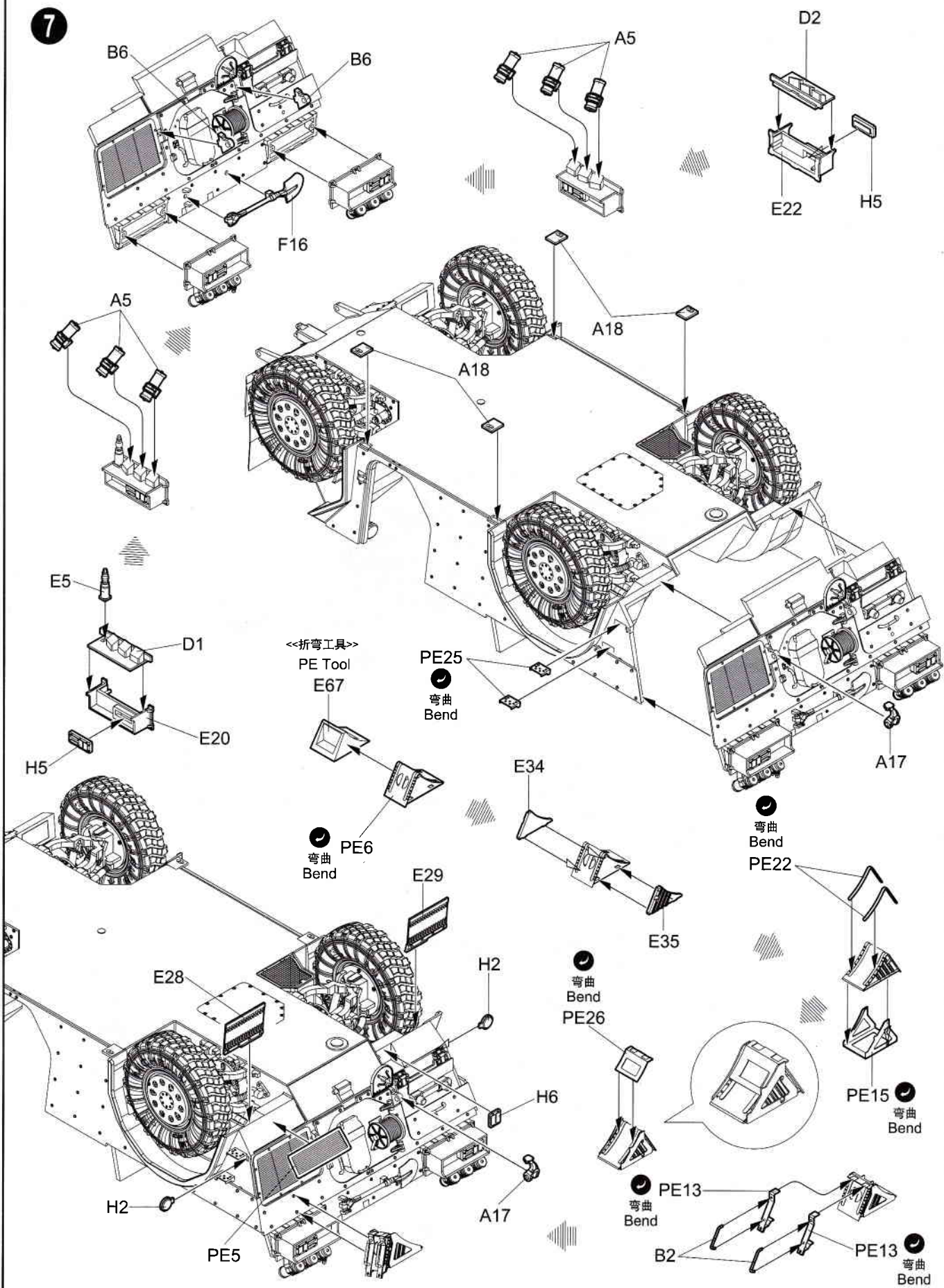
5



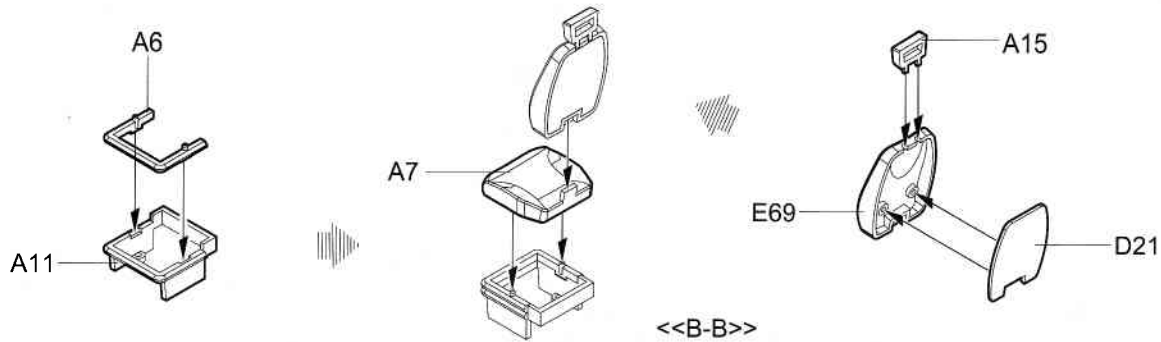
6



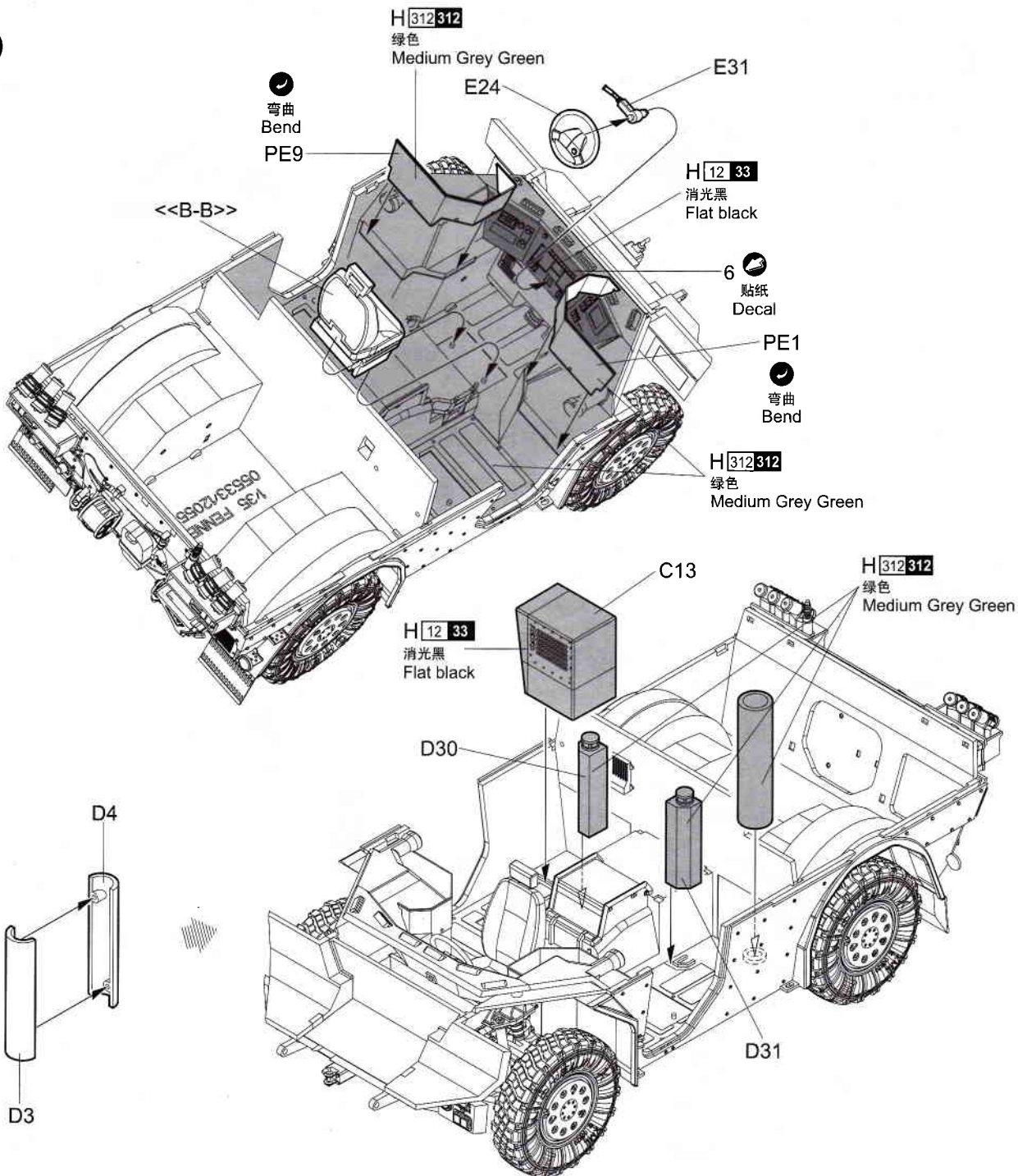
7



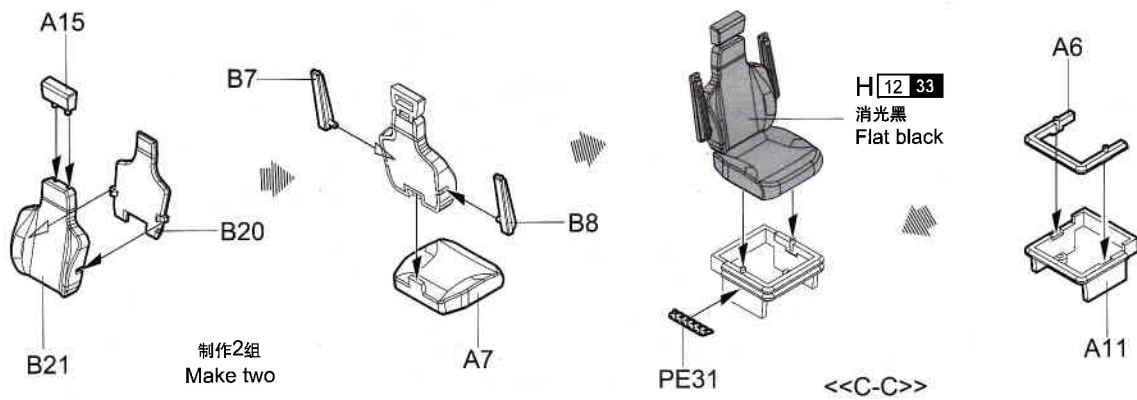
8



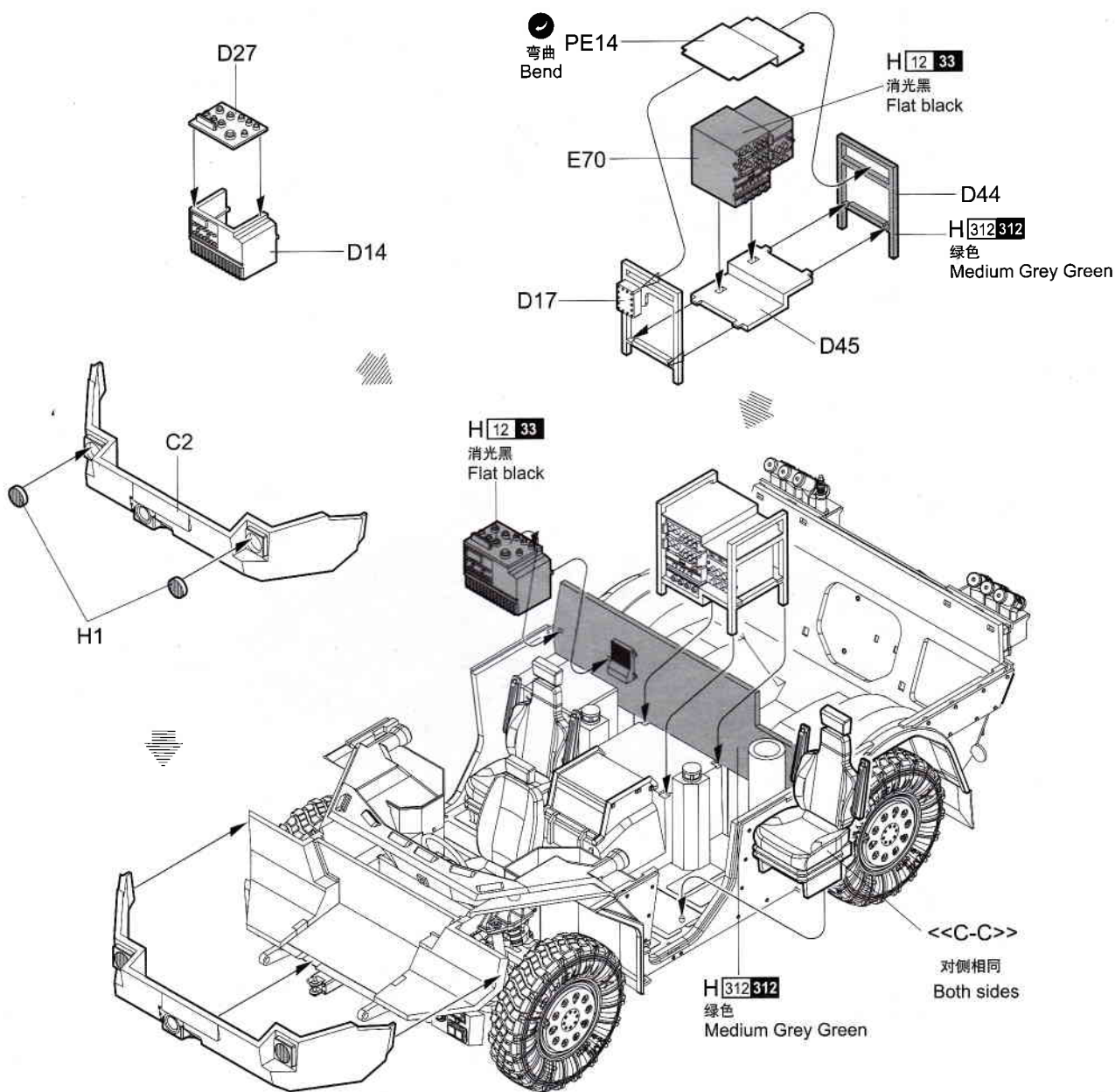
9



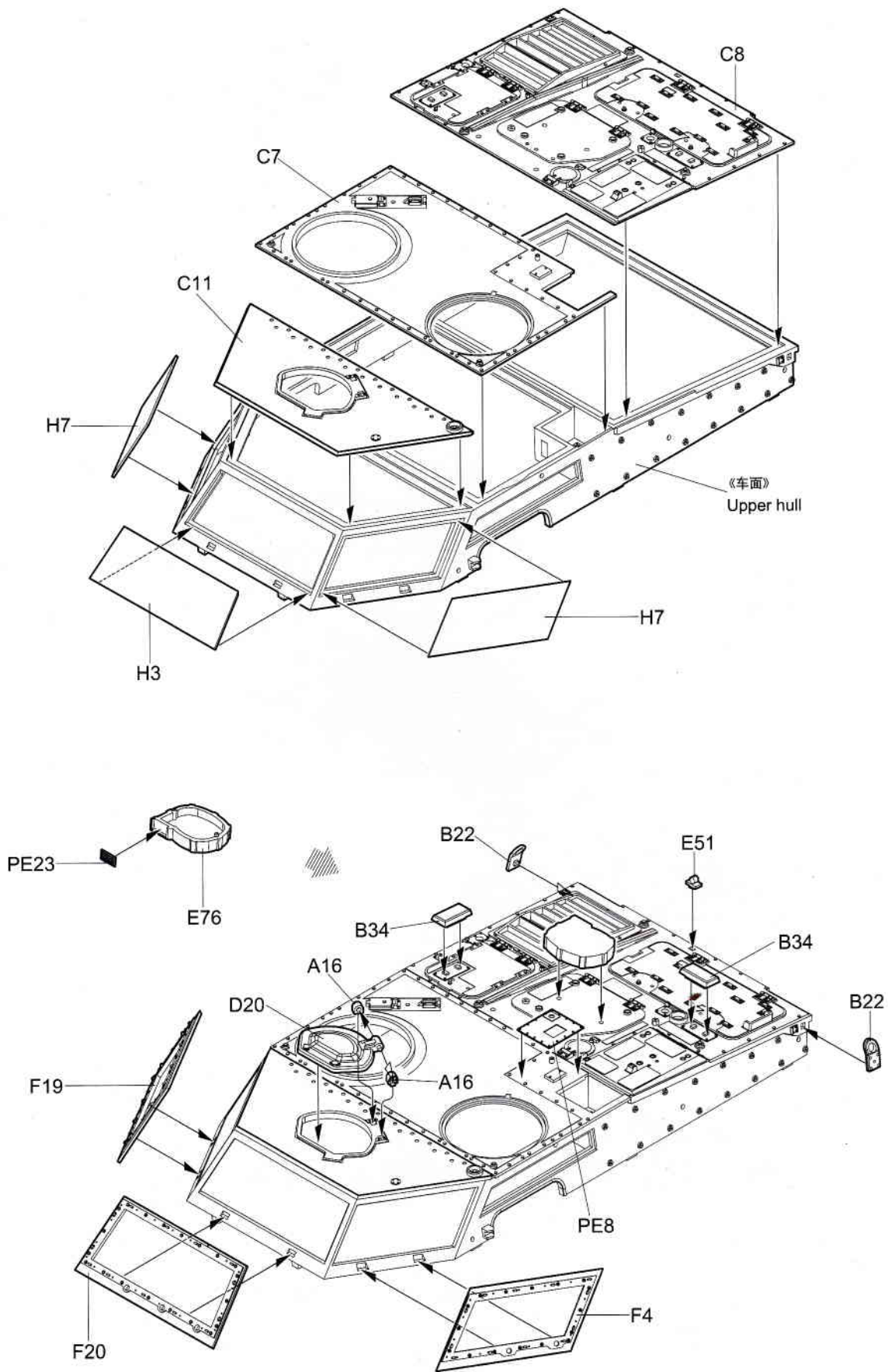
10



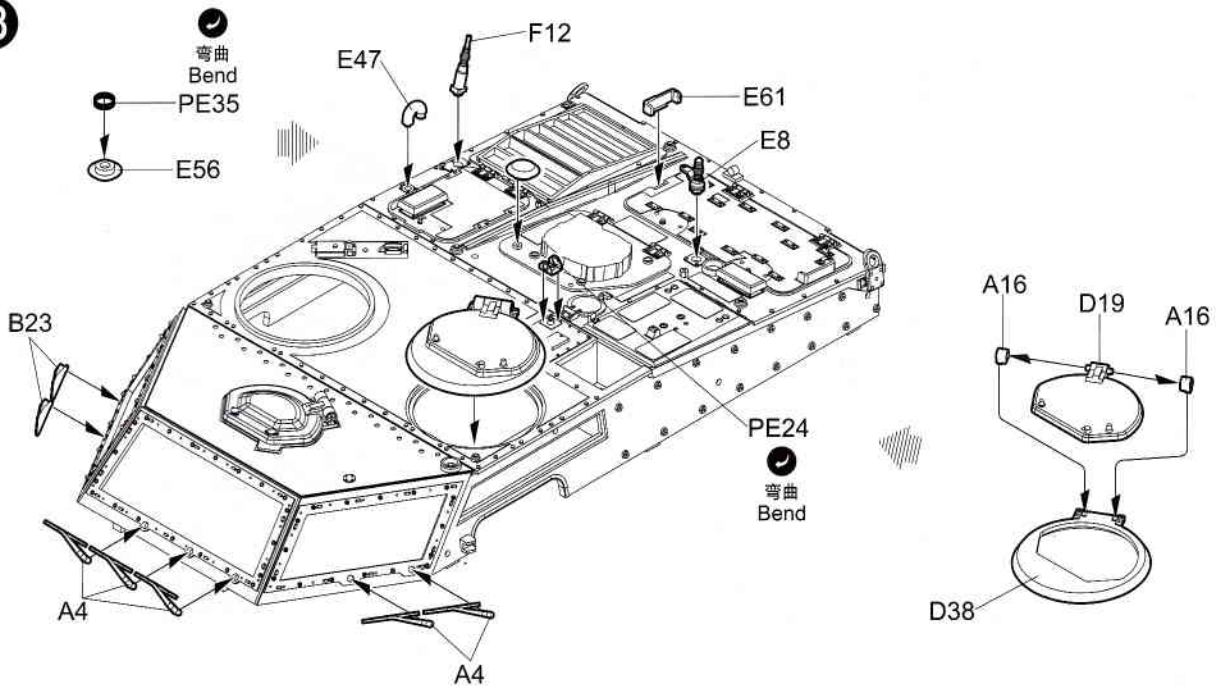
11



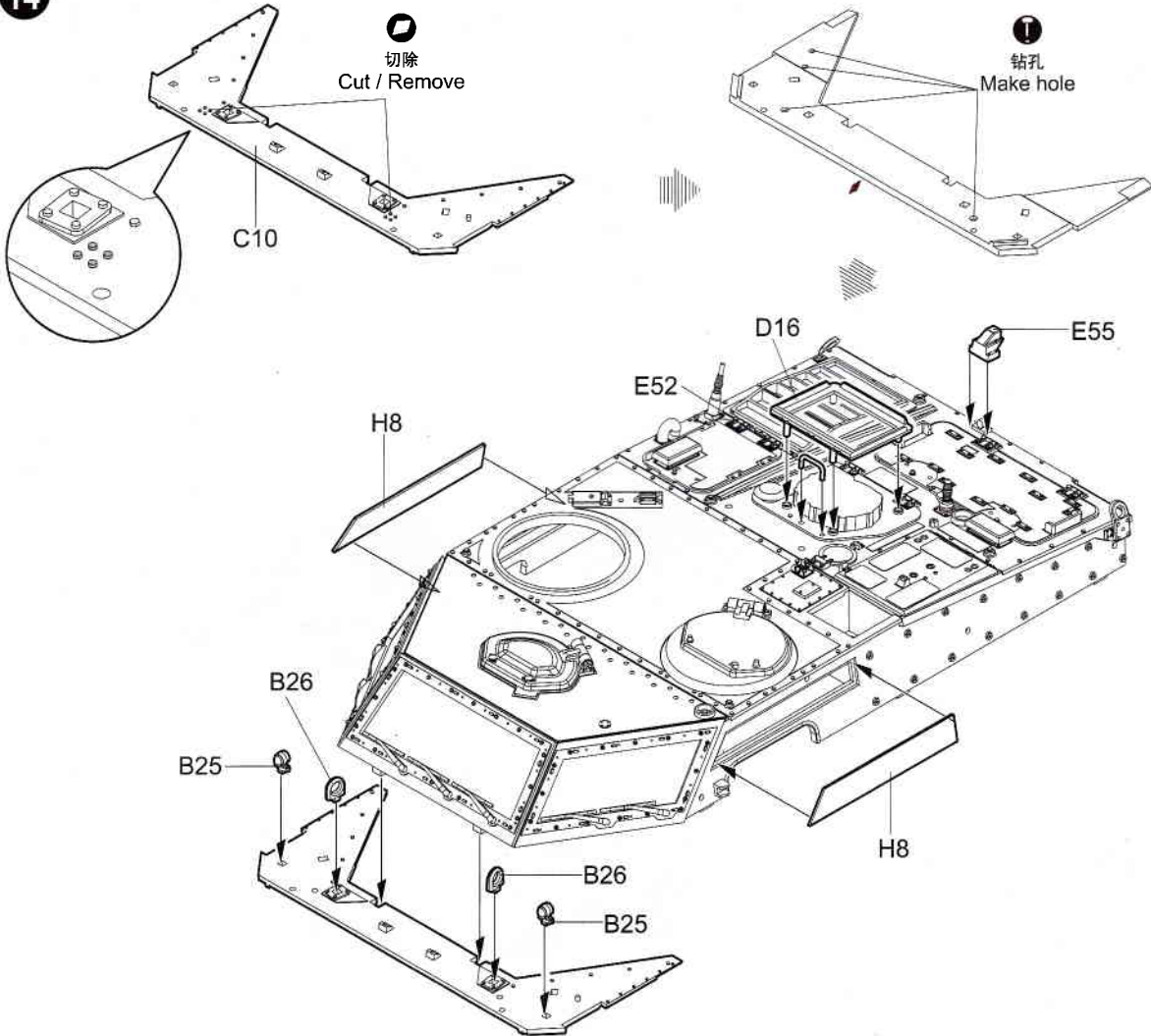
12



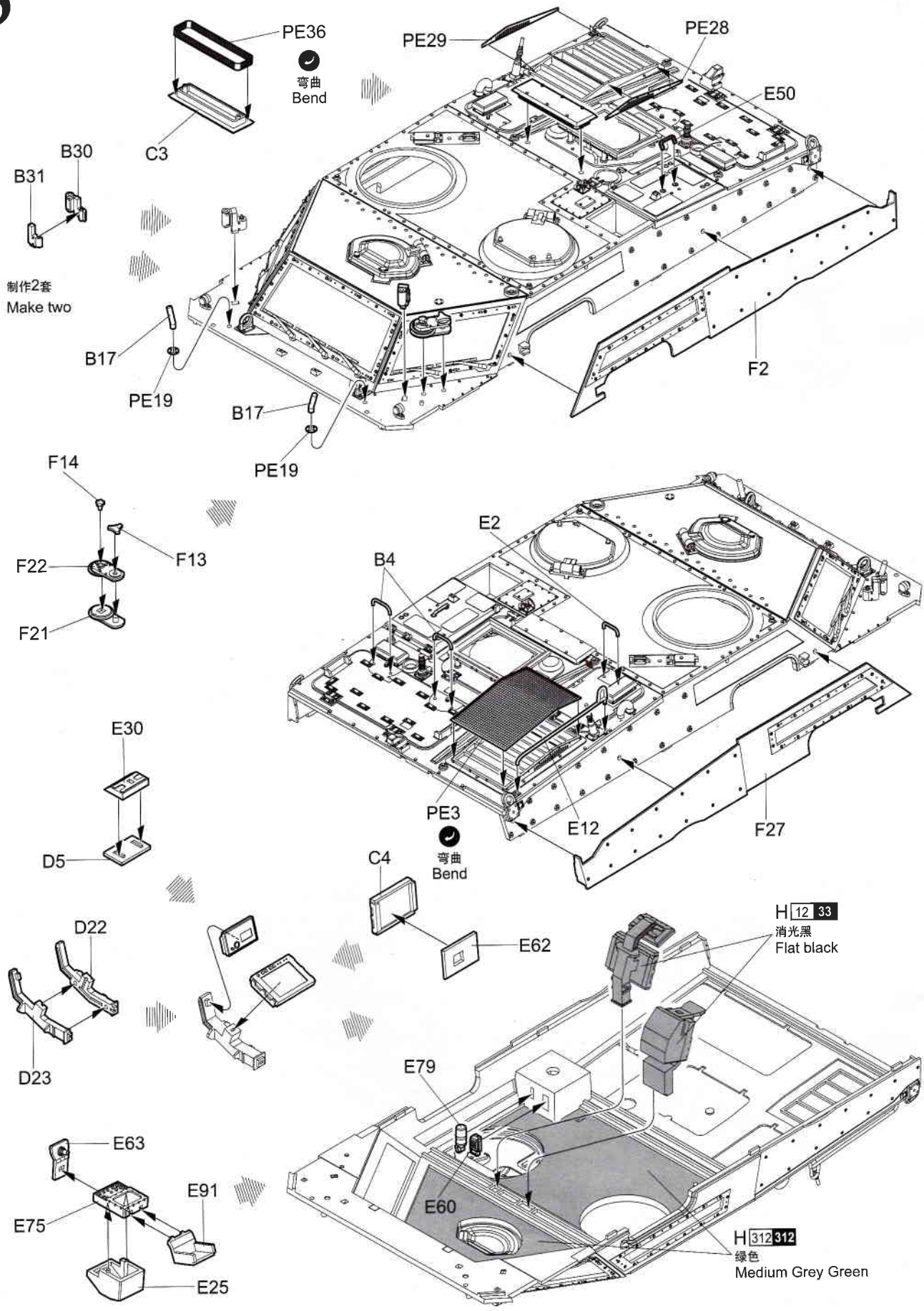
13



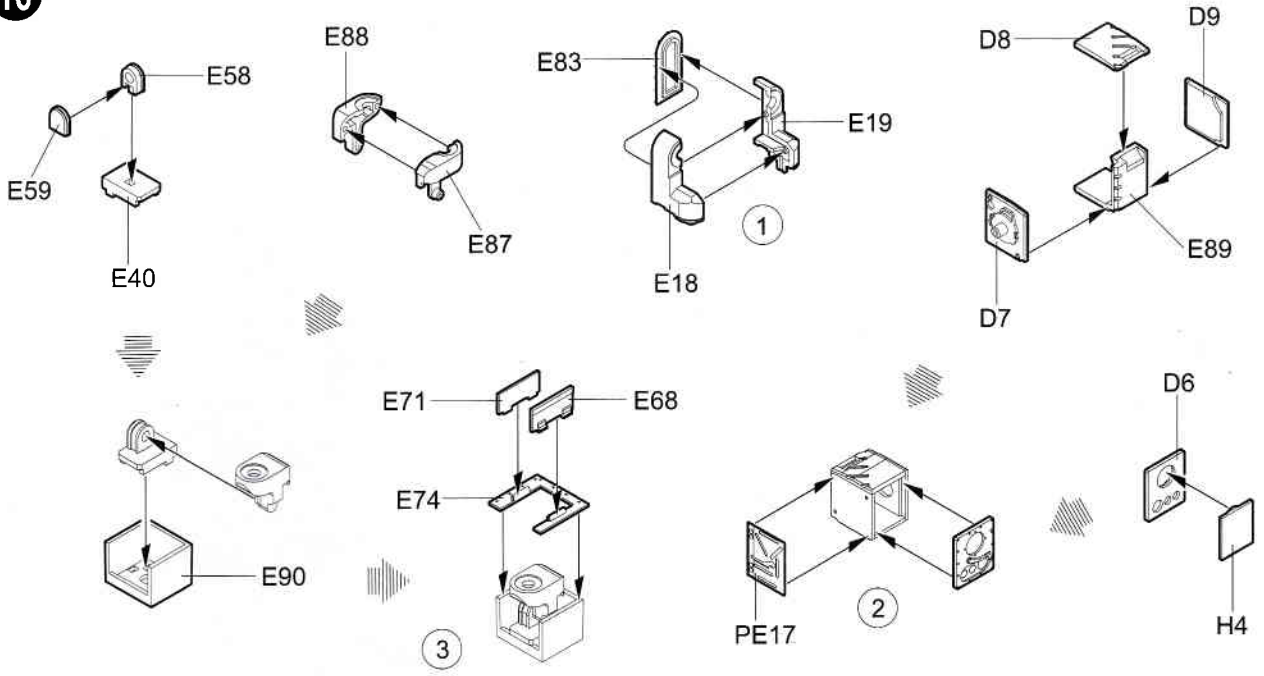
14



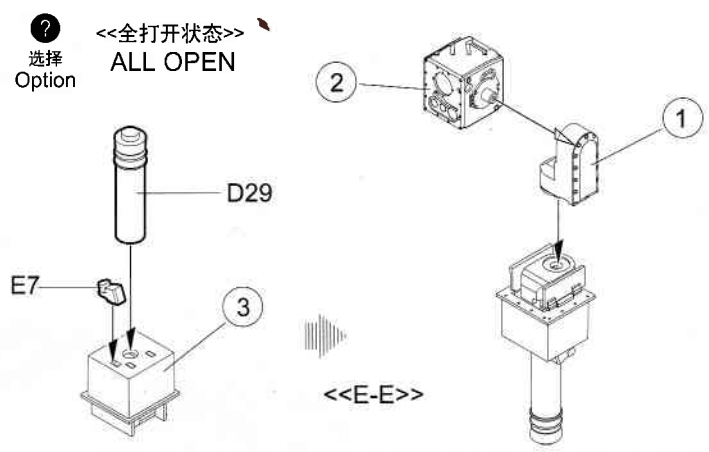
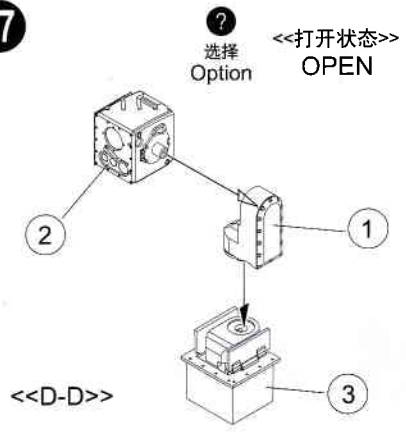
15



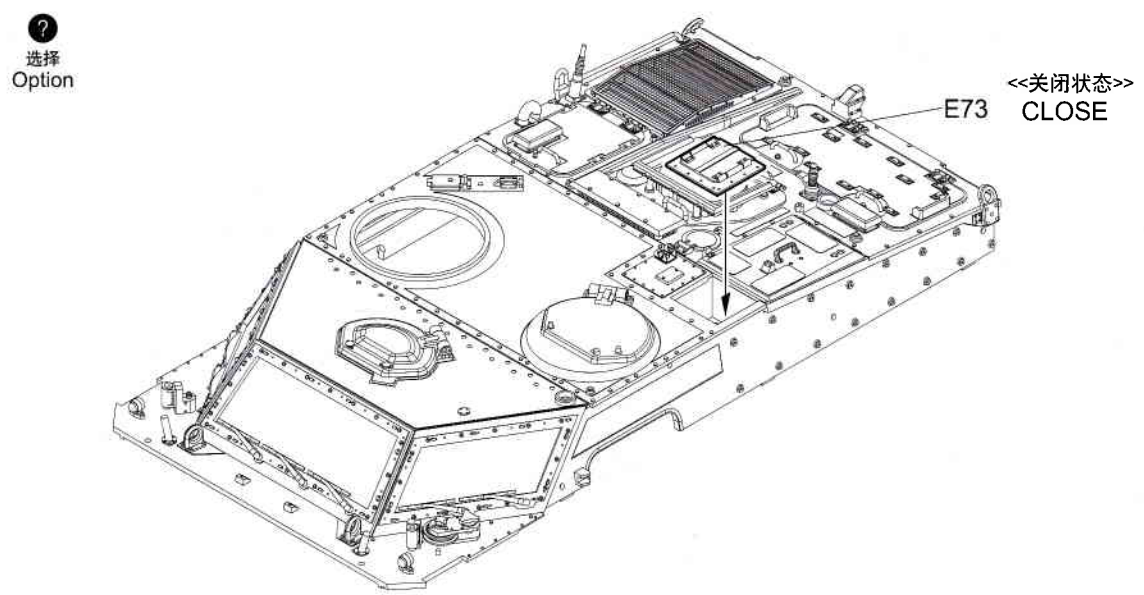
16



17

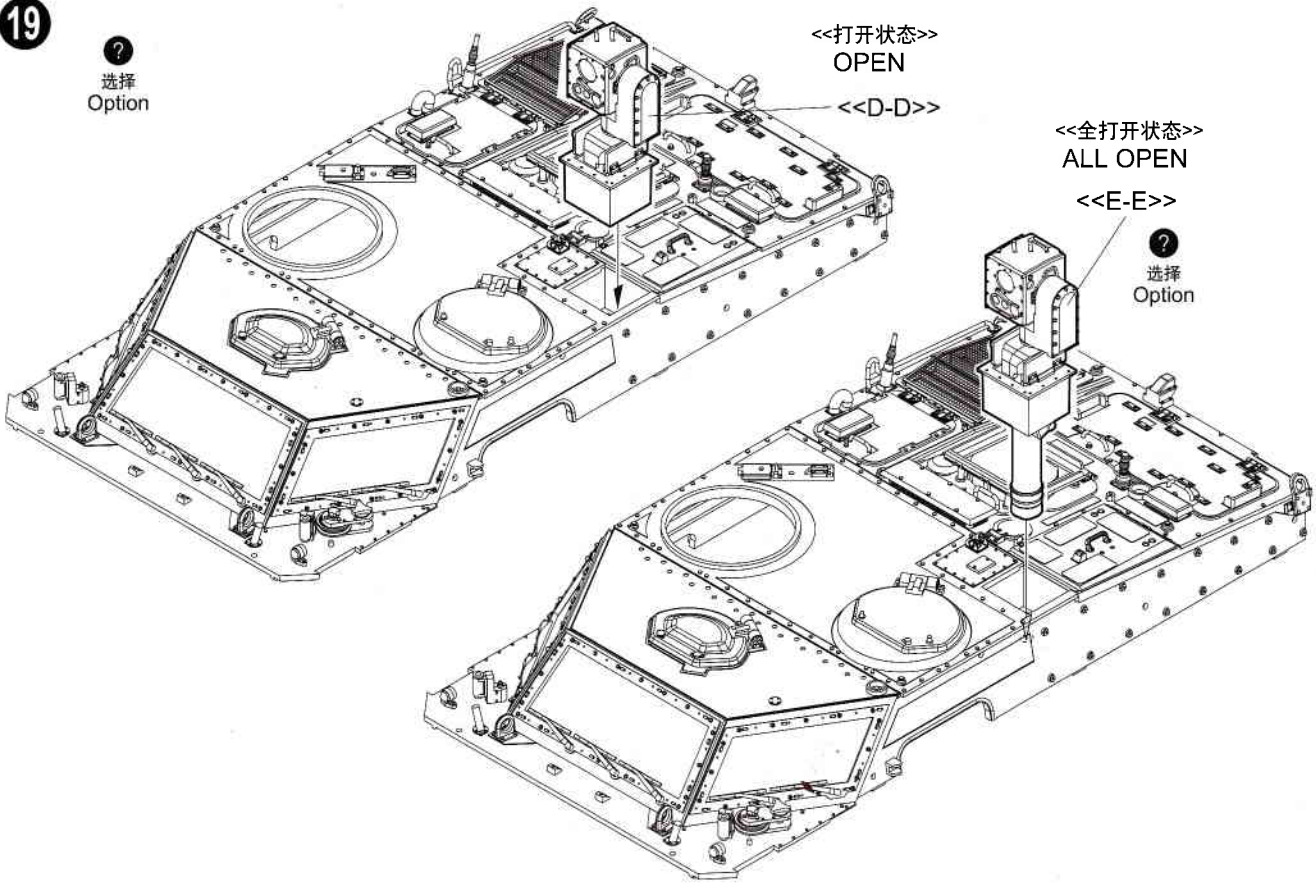


18

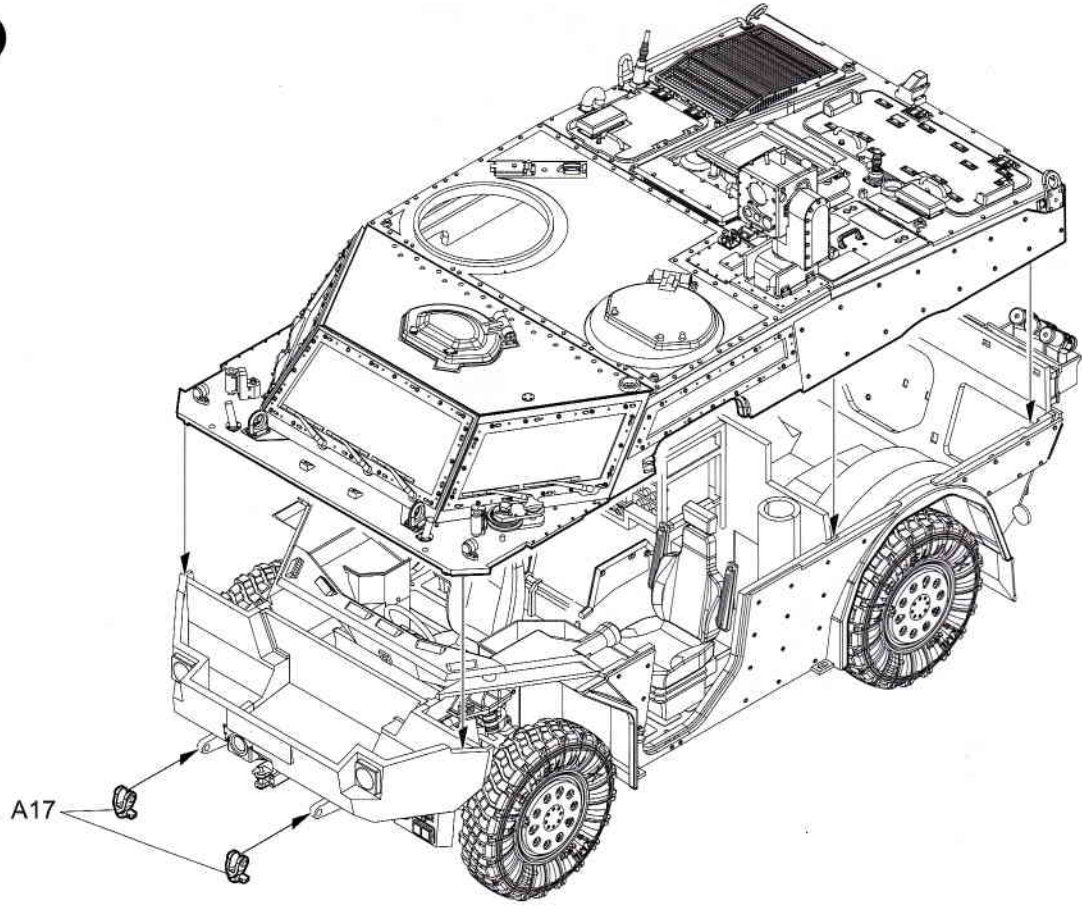


19

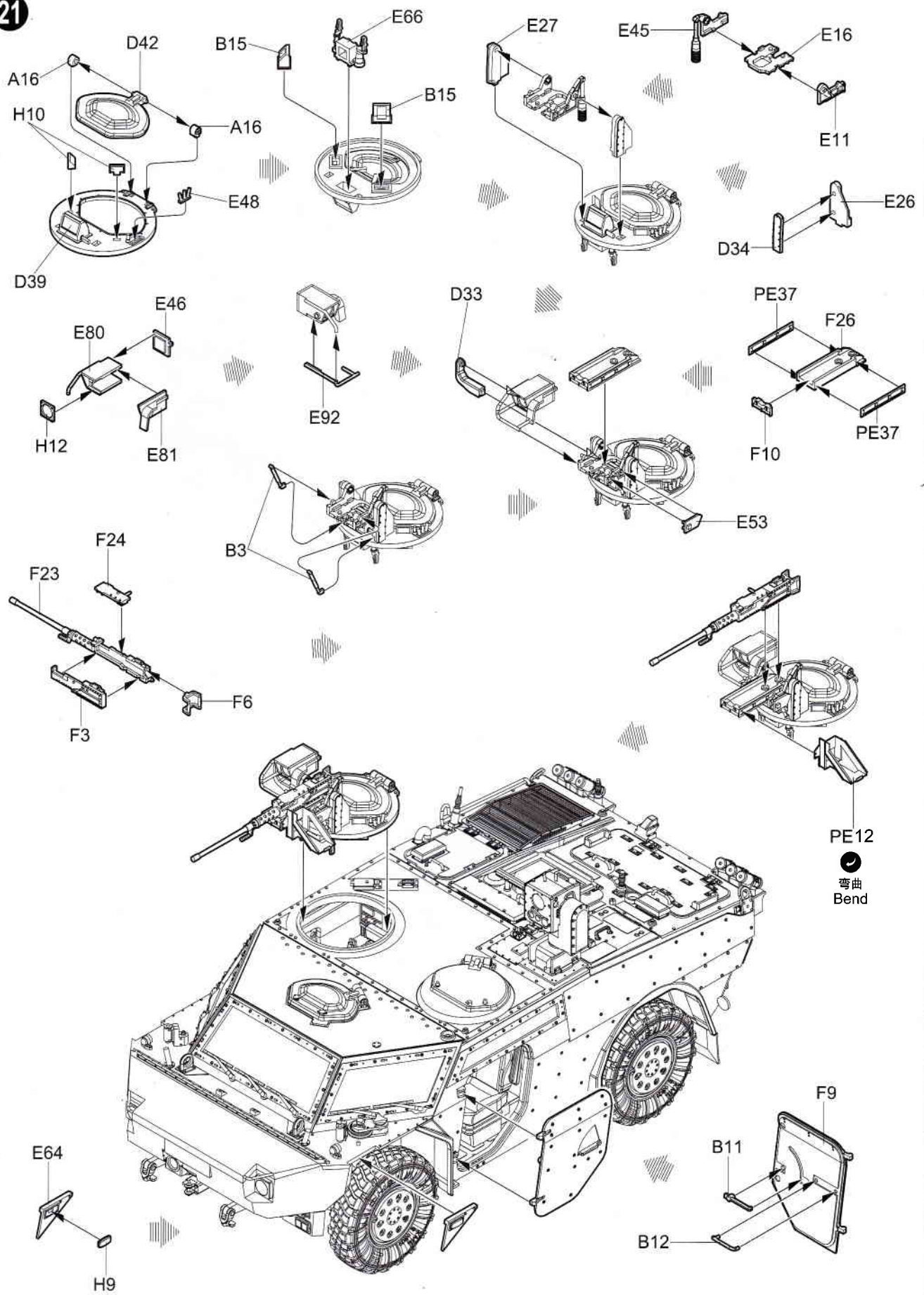
②  
选择  
Option



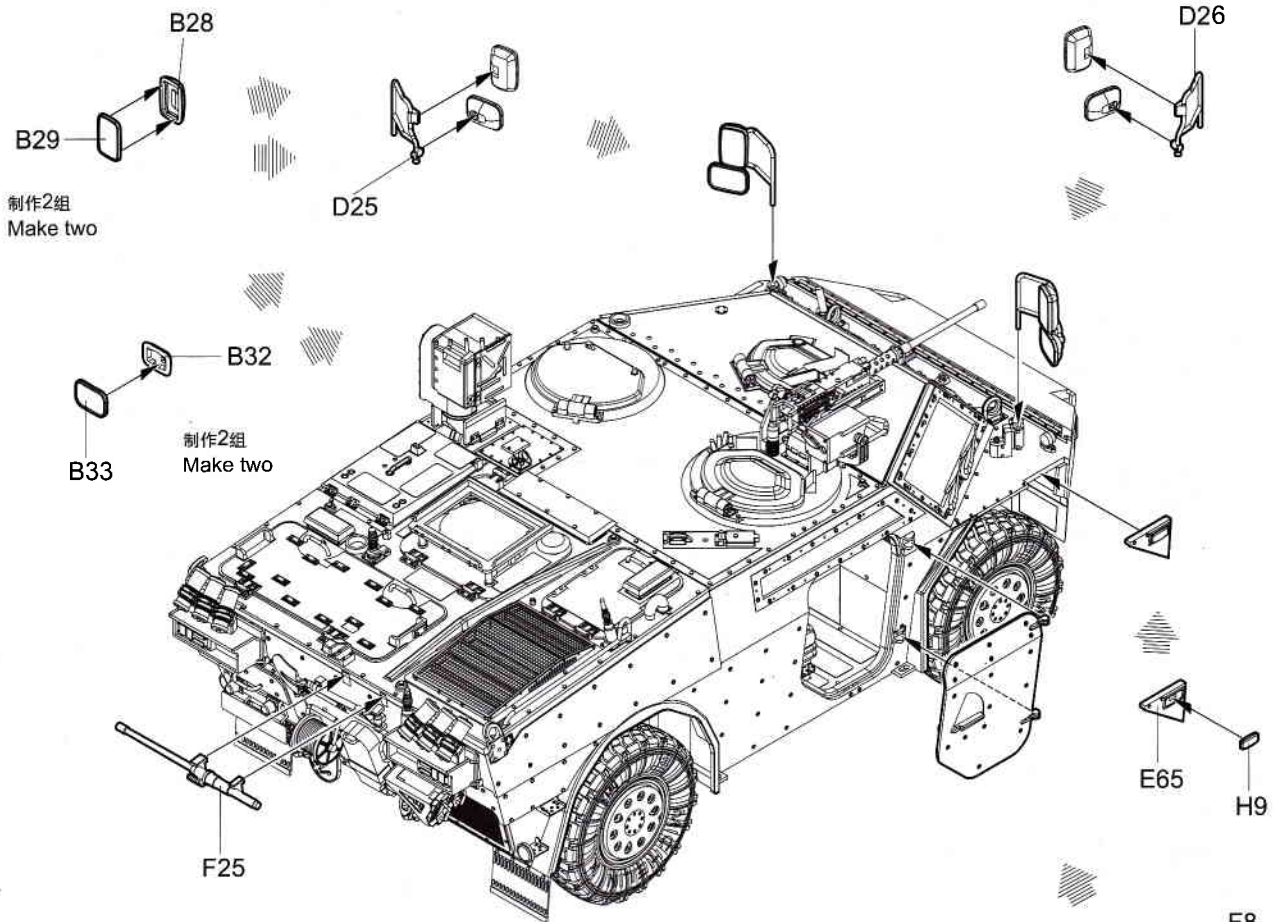
20



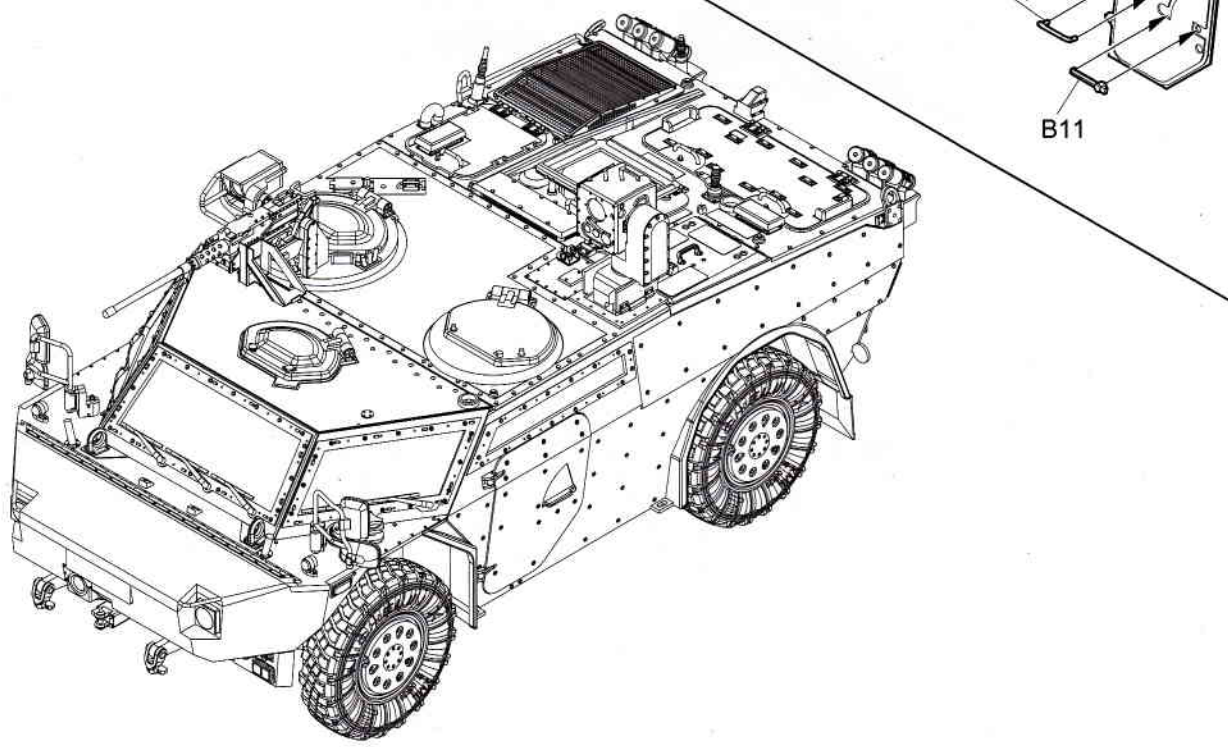
21



22



23

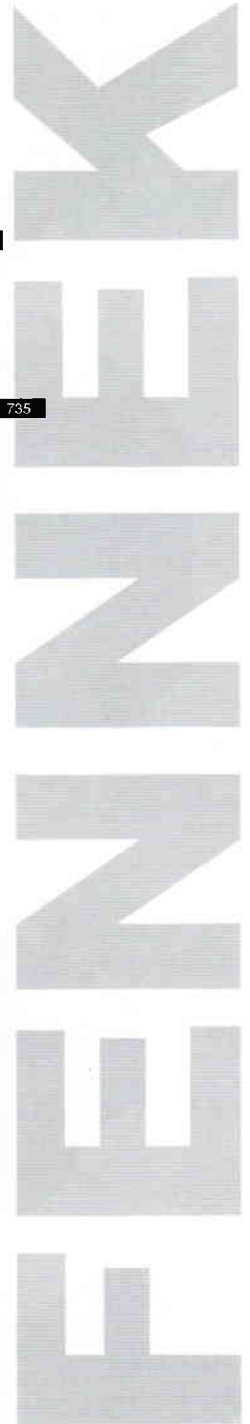
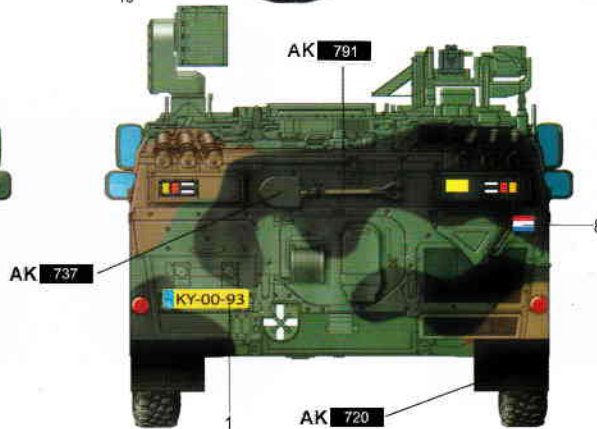
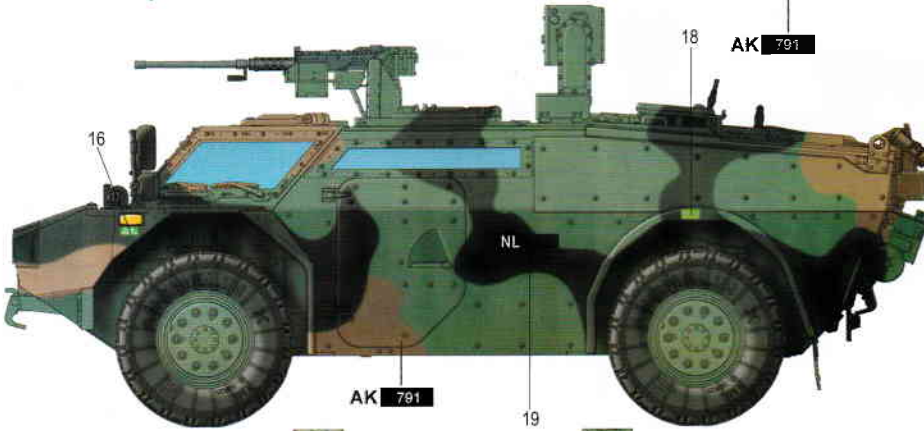
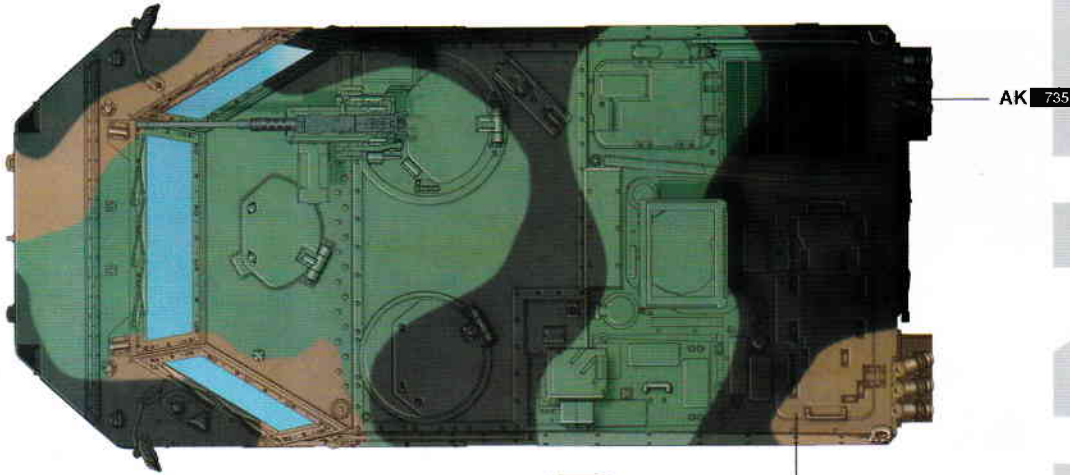
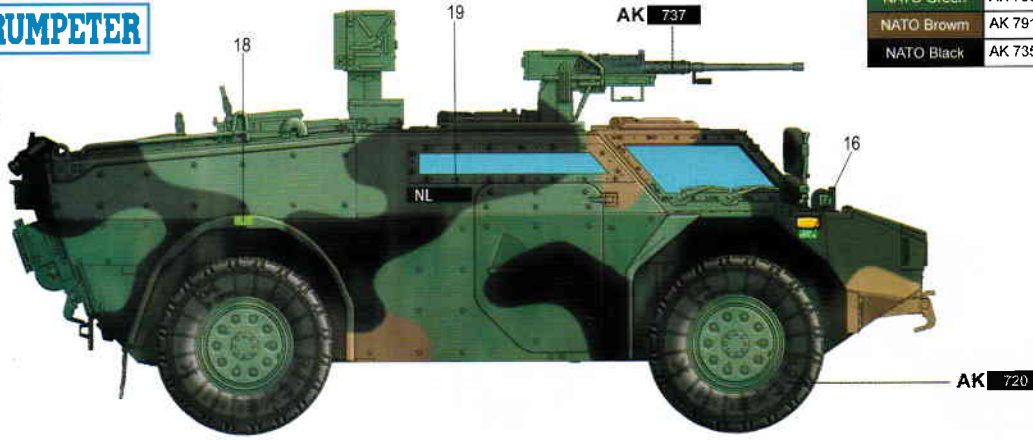




# Painting and Marking Guide

Color	AK Interactive	Mr.Hobby	Model Master	Tamiya	Humbrol
Gun metal	AK 737	H13 89	1402	—	—
Rubber Tires	AK 720	H17 437	—	—	—
NATO Green	AK 790	H15 242	1716	—	120
NATO Brown	AK 791	H17 43	1701	—	186
NATO Black	AK 735	H12 83	1743	XF1	33

**A**



Color sheets designed by AK Interactive for Trumpeter

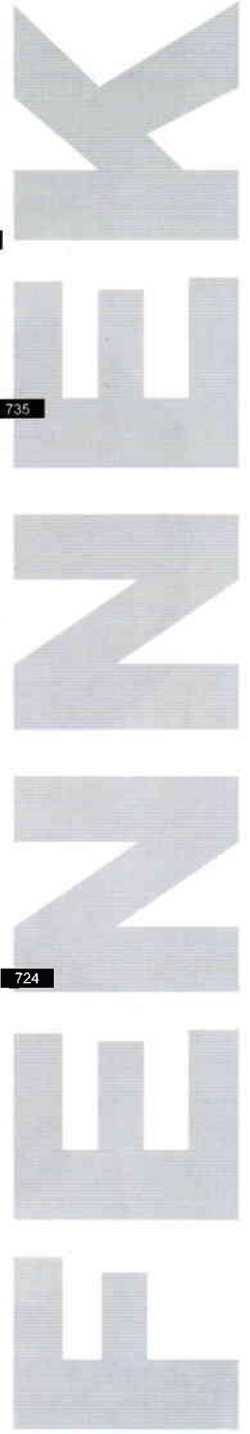
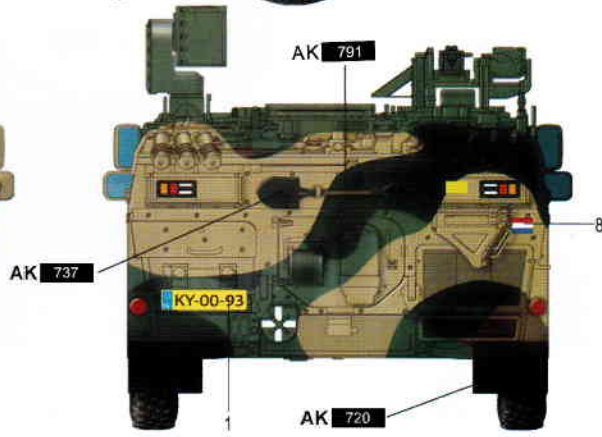
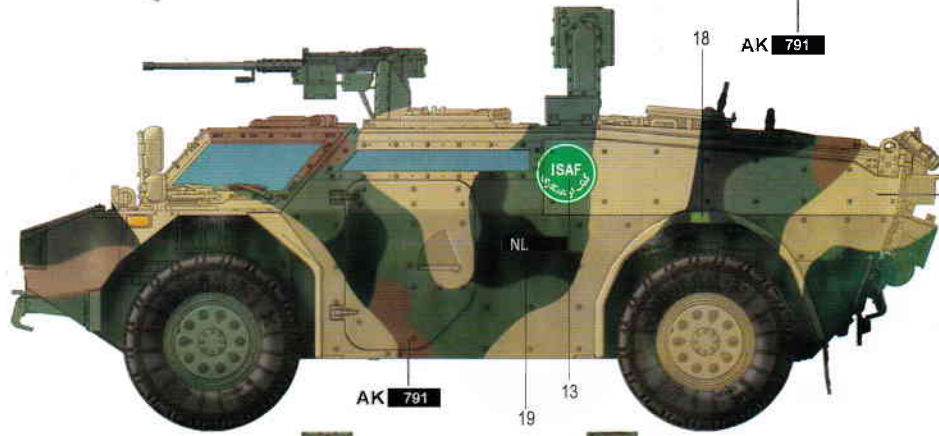
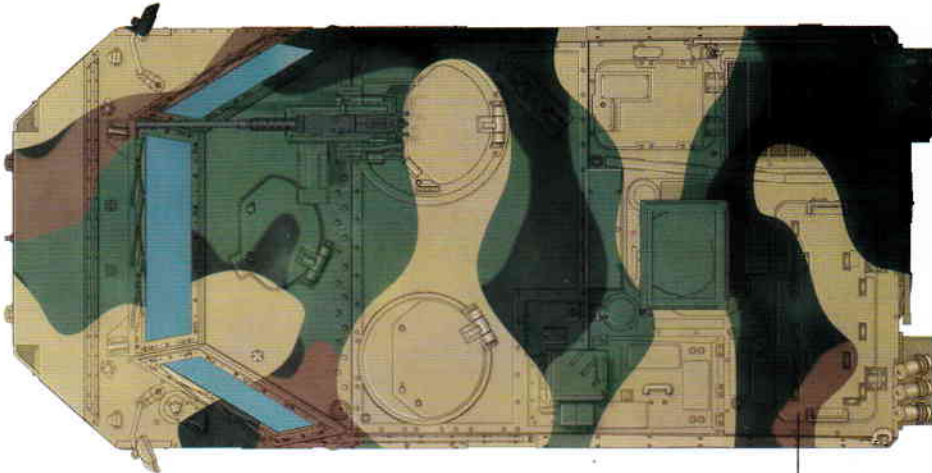
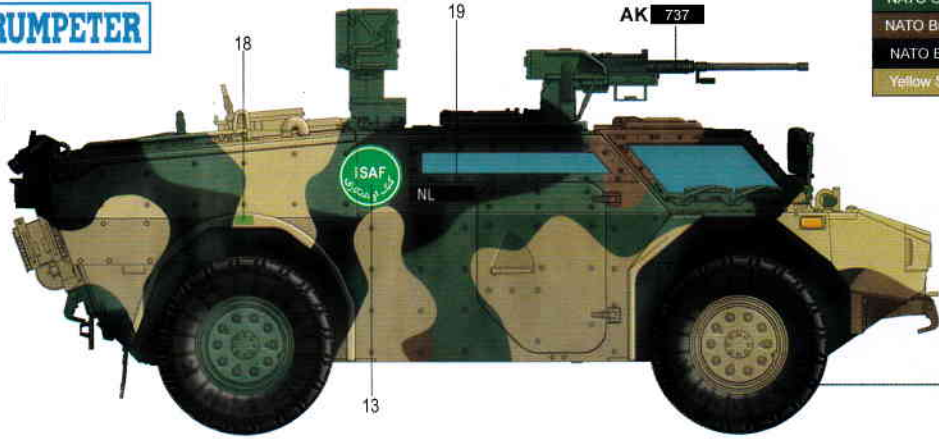




# Painting and Marking Guide

Color	AK Interactive	Mr.Hobby	Model Master	Tamiya	Humbrol
Gun metal	AK 737	H19 30	1402	—	—
Rubber Tires	AK 720	H17 37	—	—	—
NATO Green	AK 790	H35 32	1716	—	120
NATO Brown	AK 791	H57 43	1701	—	186
NATO Black	AK 735	H14 33	1743	XF1	33
Yellow Sand	AK 724	H29 39	—	XF59	93

**B**



Color sheets designed by AK Interactive for Trumpeter

