

## 意大利PUMA6×6轮式装甲车

## Italian PUMA 6×6

## READ BEFORE ASSEMBLY:

- Study and understand these instructions thoroughly before beginning assembly
- When needed, remove photo-etch parts carefully using a modeling knife or photo etch sprue cutter, being careful not to damage or lose small parts.
- Take extra care in handling photo etch parts in order to avoid injury
- Apply instant cement sparingly to photo etch parts where instructed
- Tools recommended(not included in kit):Plastic and instant cements, sprue cutters,long nose pliers,modeling knife, small files, tweezers, pin vise & scissors. Soft cloth and sandpaper will also assist in construction
- Glue and paint are not included in the kit. Use plastic cement and hobby paints only. Color guide for purchasing paint is included in the kit.

## 装配之前仔细阅读

- 小心用模型锉刀锉平所有零件表面的注射浇口。
- 小心用刀片切下蚀刻片零件，不要遗失小零件。
- 用强力快干胶水粘合蚀刻片零件和金属轴。过量快干胶水使用可能导致可动零件会粘住，小心涂胶。
- 取蚀刻片时应特别注意安全，防止利边划伤手指。
- 某些零件表面需贴上水贴纸，请选择在装配的同时进行。
- 推荐模型工具(自备)：胶水，水口剪刀，长咀钳，刀片，锉刀，镊子，钳，钻，剪刀，瞬间快干胶。
- 软布同砂纸同时也应该是必备工具。
- 请使用塑料胶水和油漆，模型内不含。

配重  
Weight使用强力胶  
Cyanoacrylate glue钻孔  
Make hole切除  
Cut / Remove贴纸  
Decal锉平  
File / Sand选择  
Option不涂胶水  
No cement弯曲  
Bend

## 水贴纸的使用:

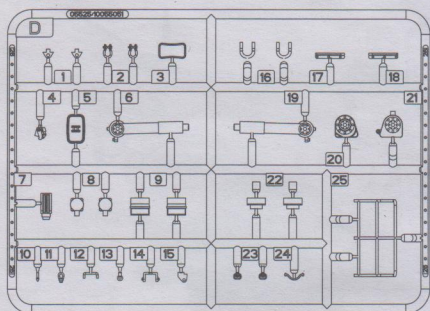
- 1.从水贴上剪下印花;
- 2.将印花放入温水中浸10秒,然后放在干净布上。
- 3.拿着印花纸板将印花移到模型上;
- 4.手指蘸水将印花移到适当的位置;
- 5.用软布轻压印花直至水干, 气泡消失

## DECAL APPLICATION

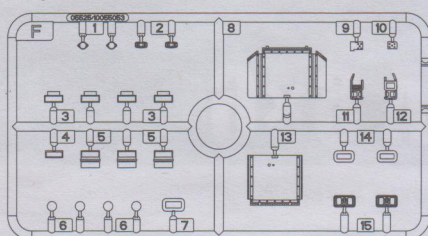
- 1.Cut decals from sheet as needed
- 2.Dip the decal in warm water for about 10 seconds and then place on soft clean cloth.
- 3.Hold the decal backing sheet edge and gently slide the decal onto the model in its proper position.
- 4.While still wet,decal can be adjusted for better fit on model by dampening it gently with your finger.
- 5.When placed in the proper position,gently press decal down with a soft cloth until excess water and air bubbles are gone.
- 6.Allow decal to dry completely before handling model

部品图  
parts

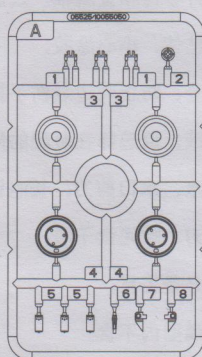
D×2



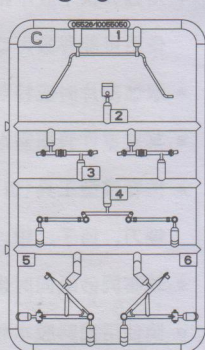
F



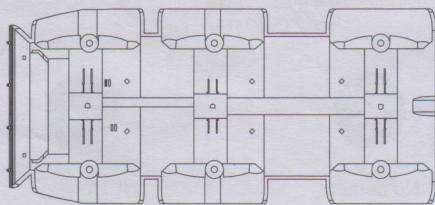
A×3



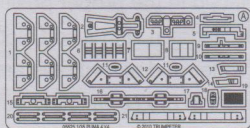
C×3



《车面》  
Upper hull



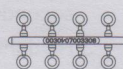
《蚀刻片A》  
PE-A



《水贴纸》  
Decal



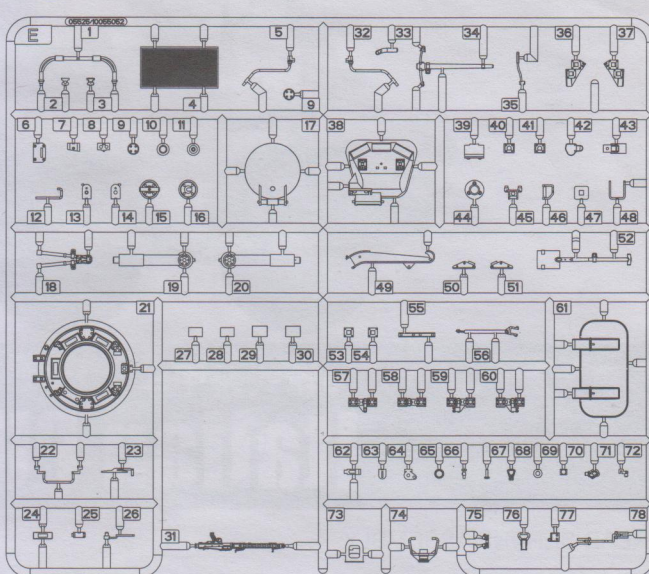
《聚乙烯套》  
Poly cap



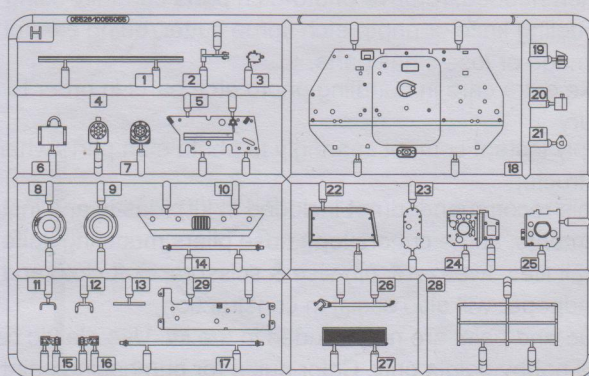
《轮胎》  
Tyre ×6



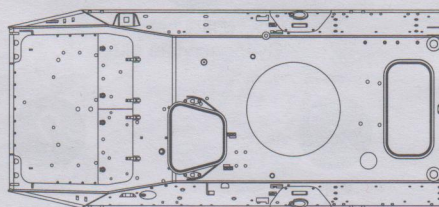
E



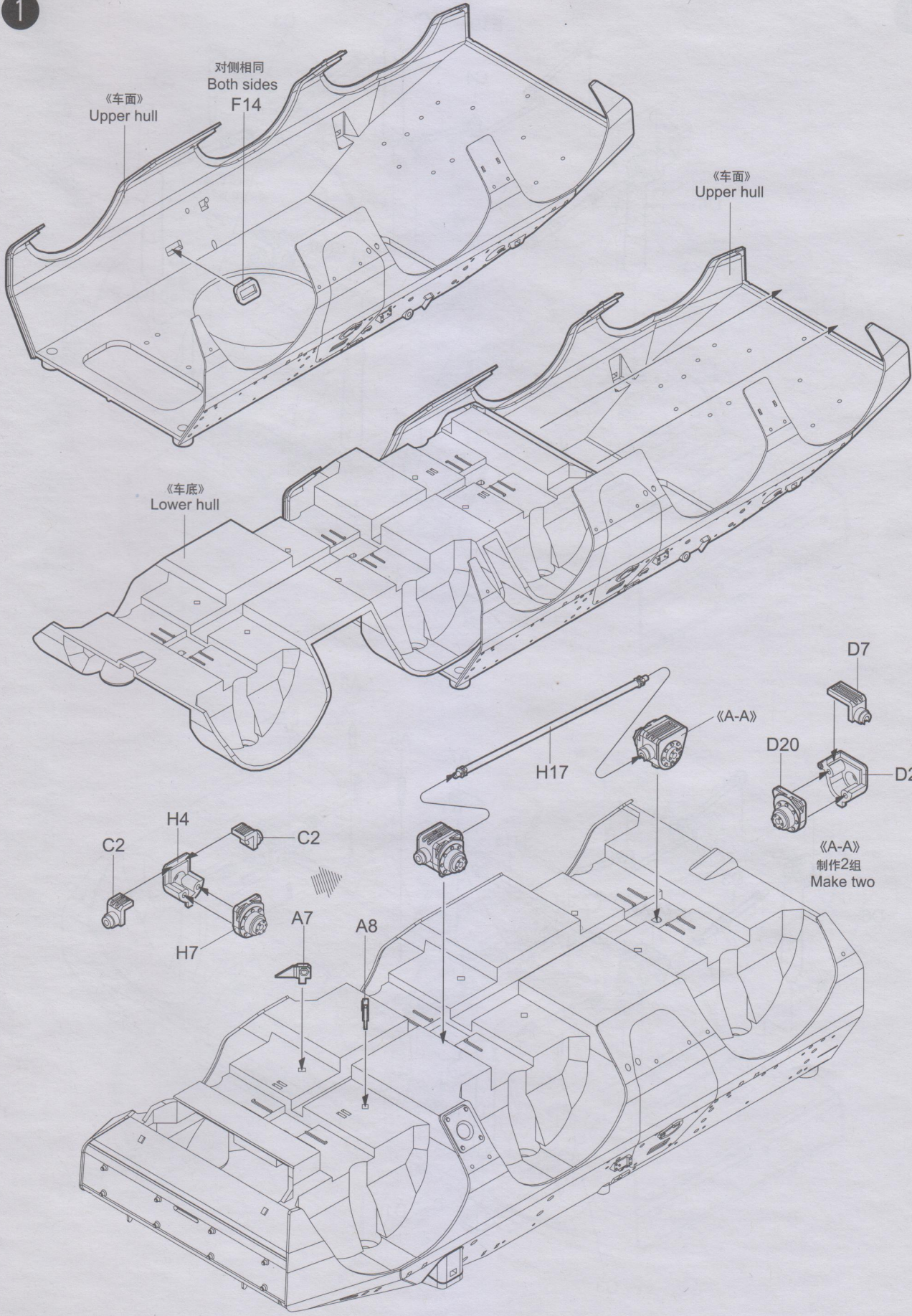
H



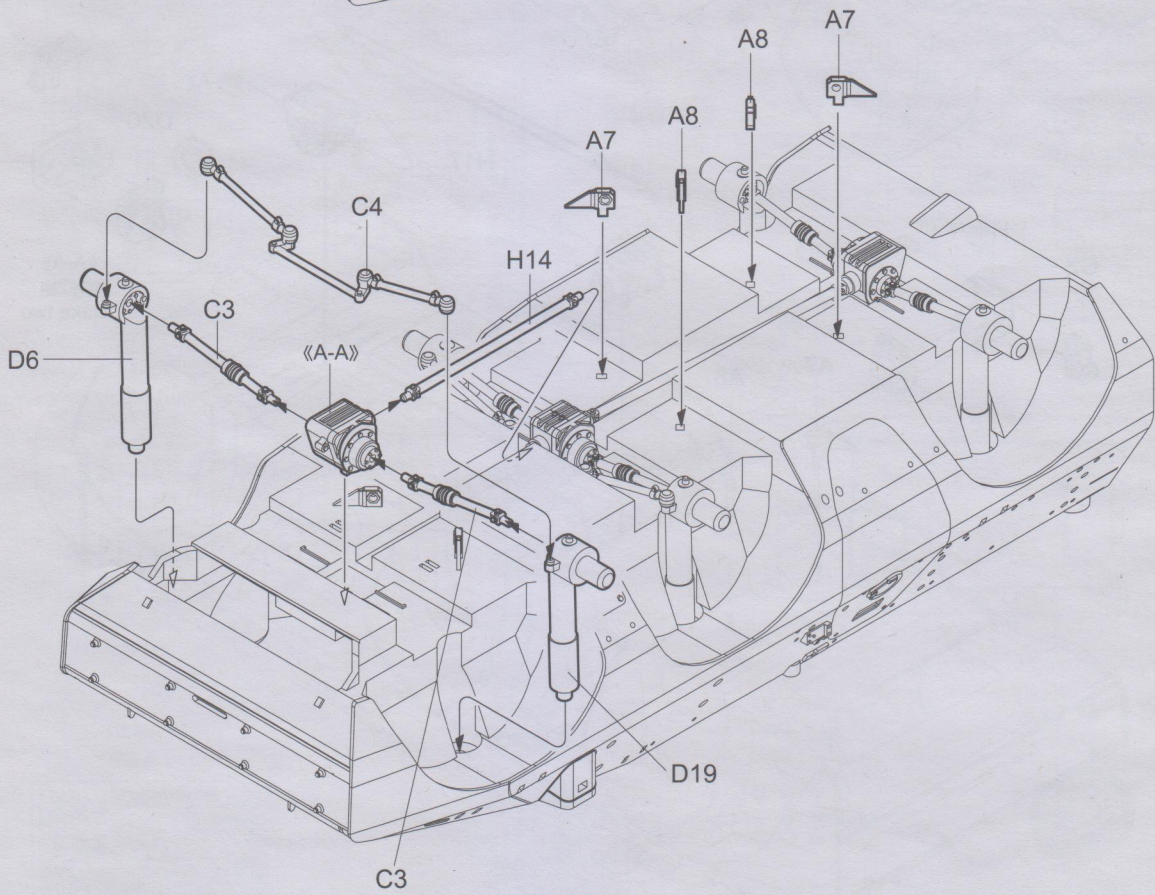
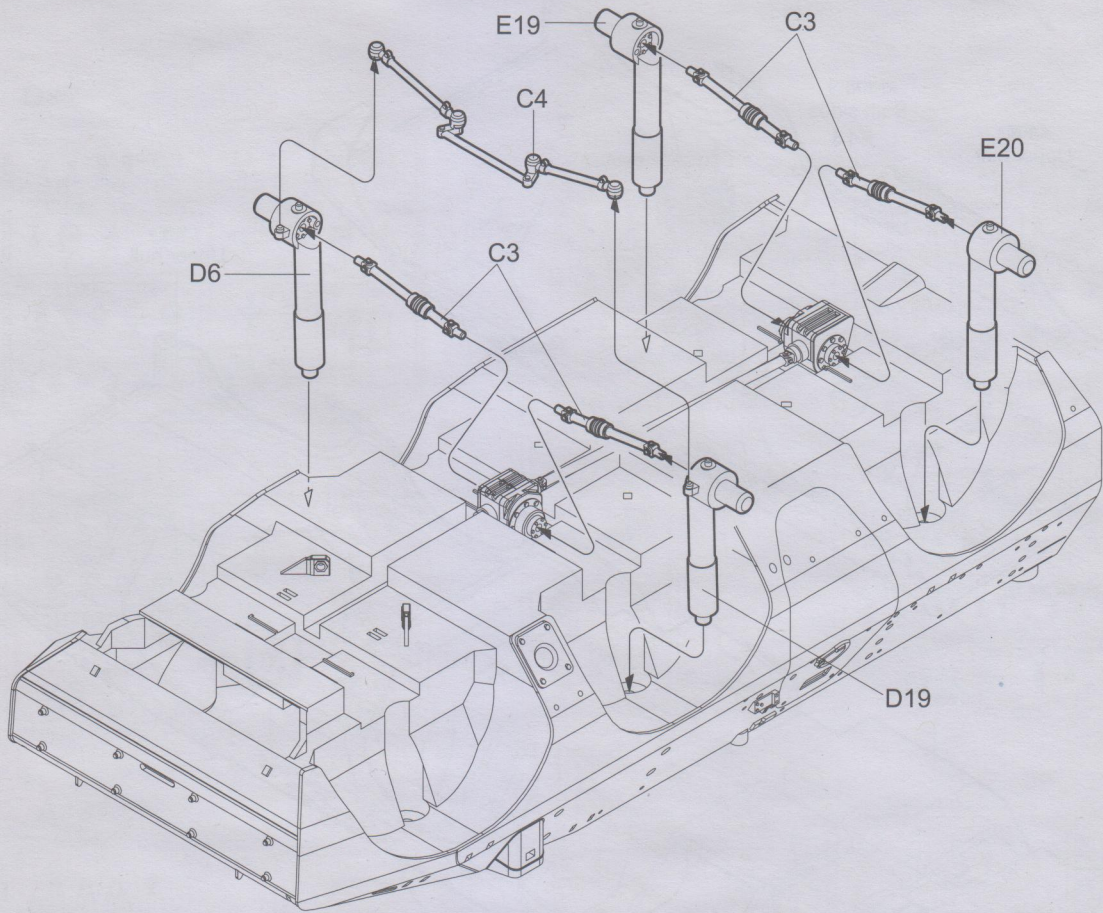
《车底》  
Lower hull



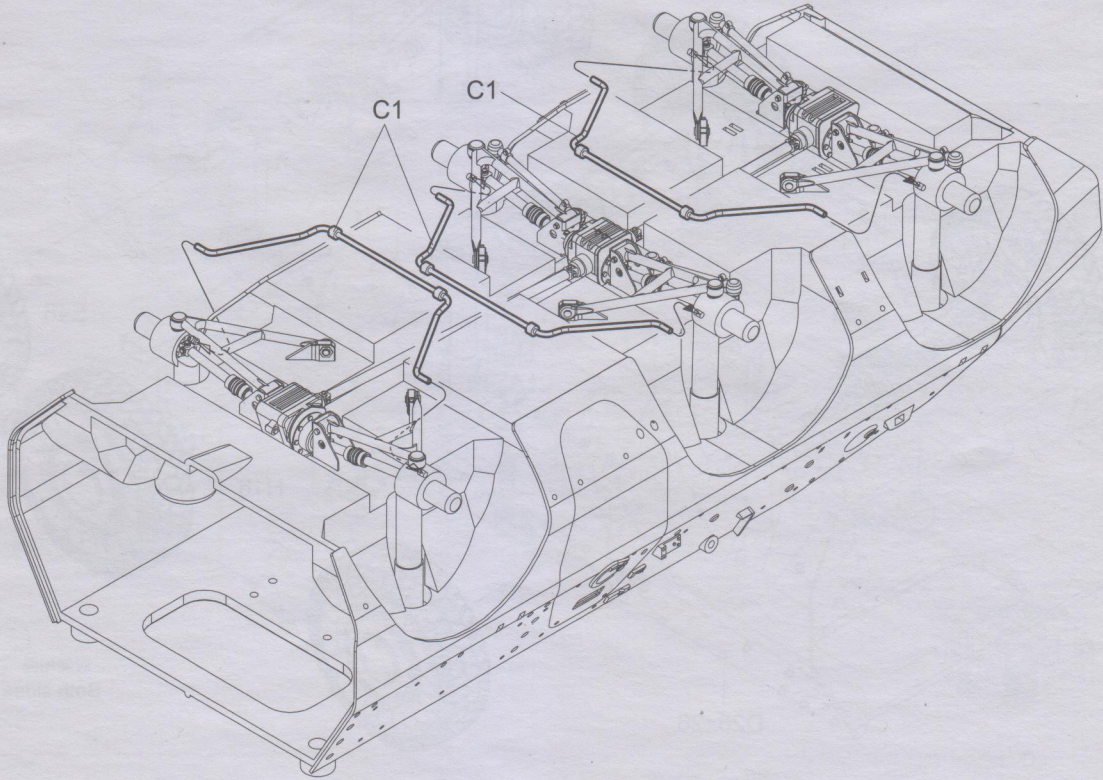
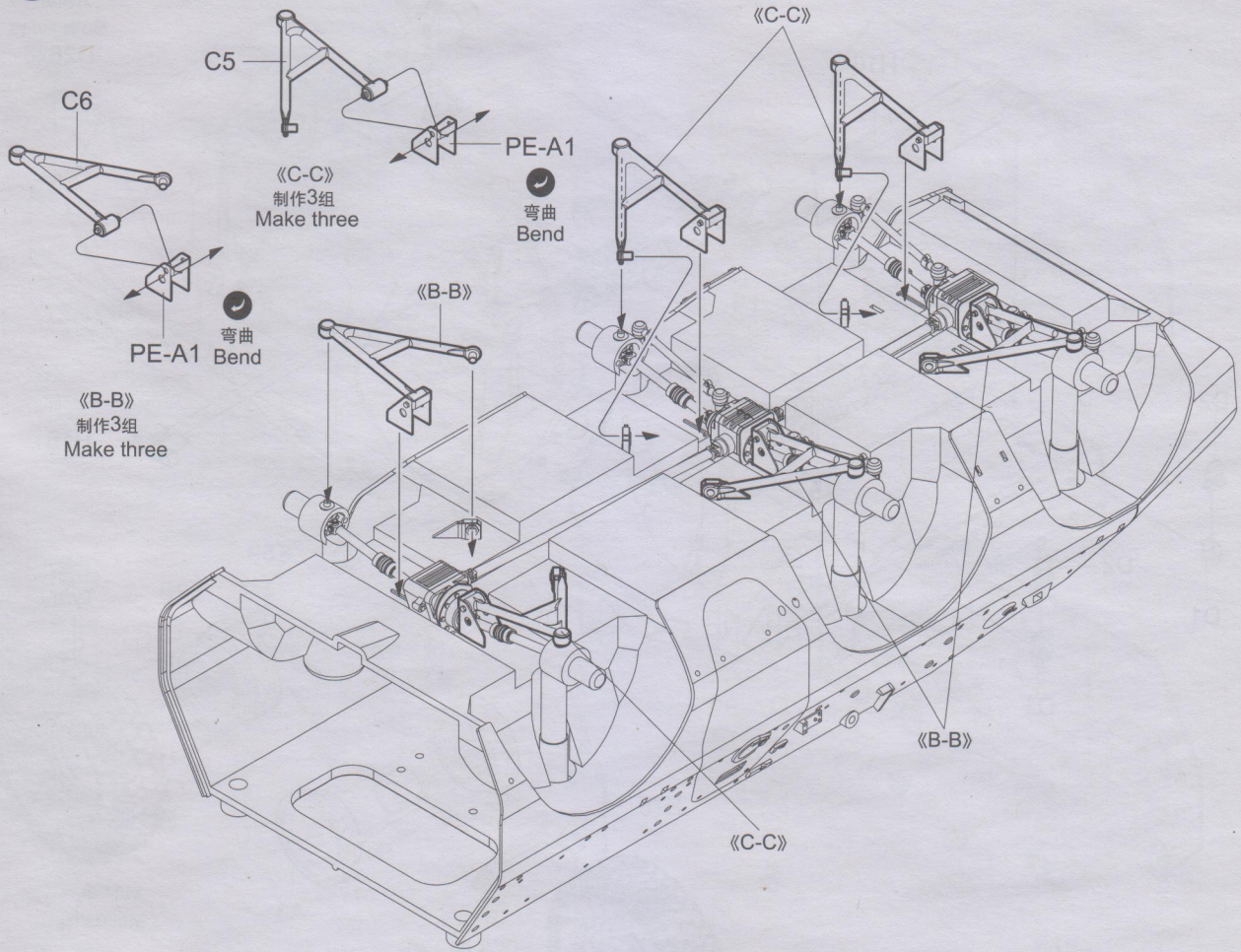
1

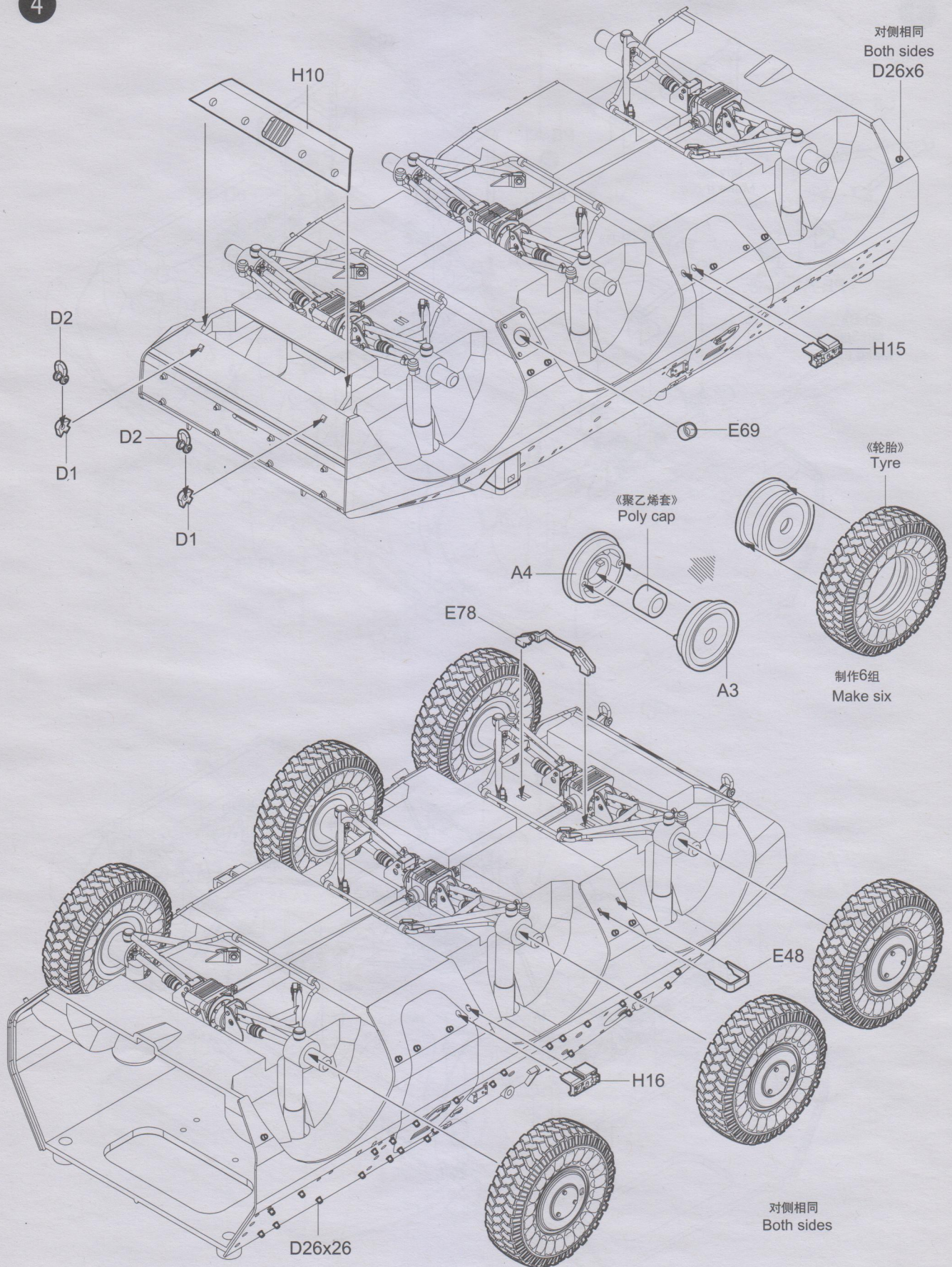


2

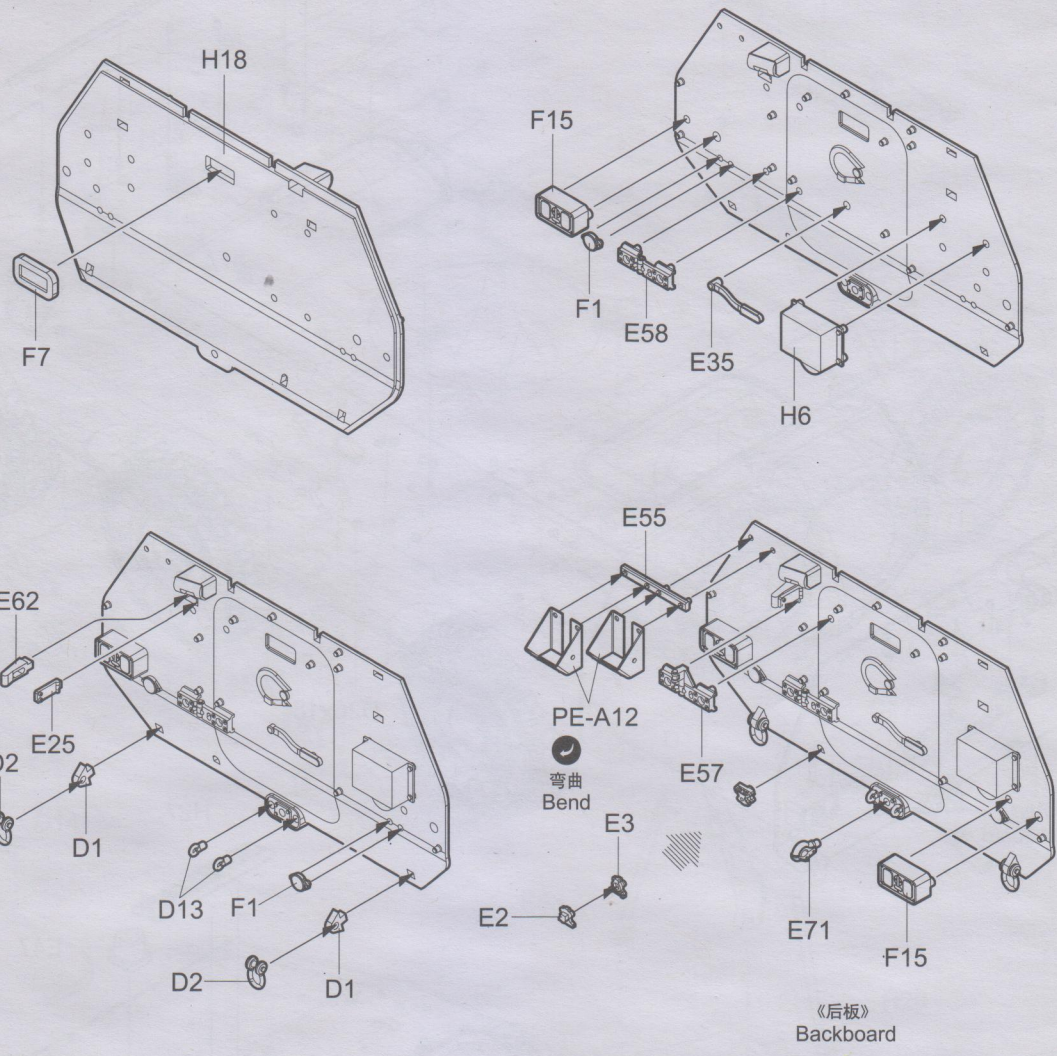


3

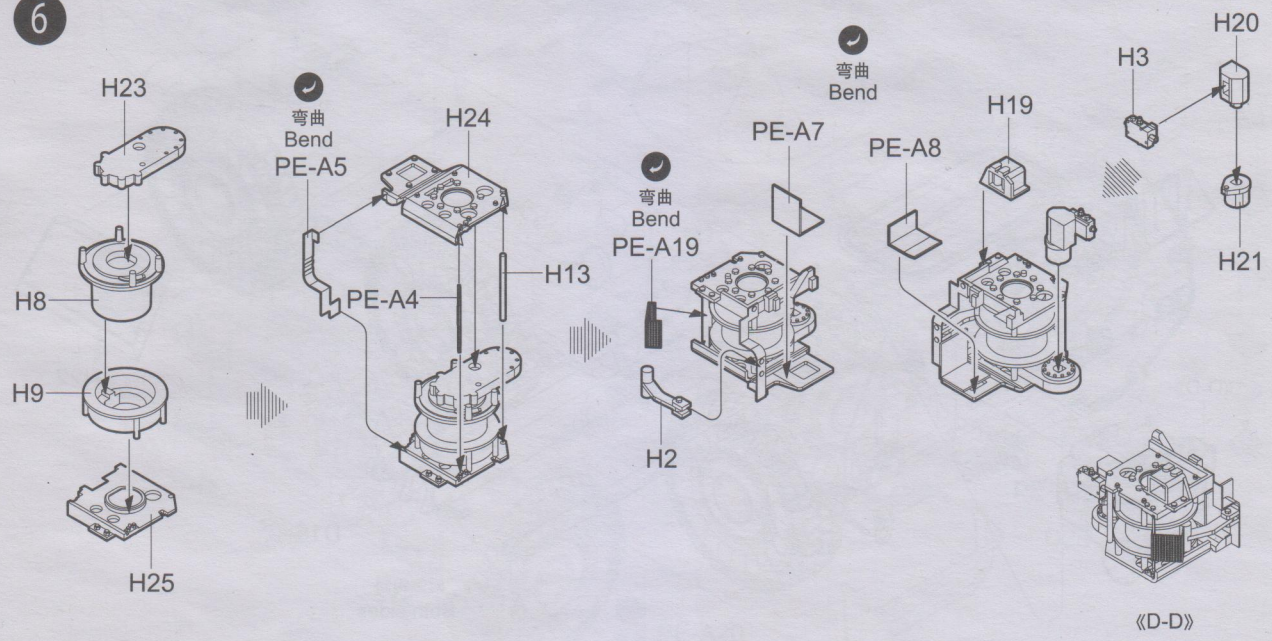




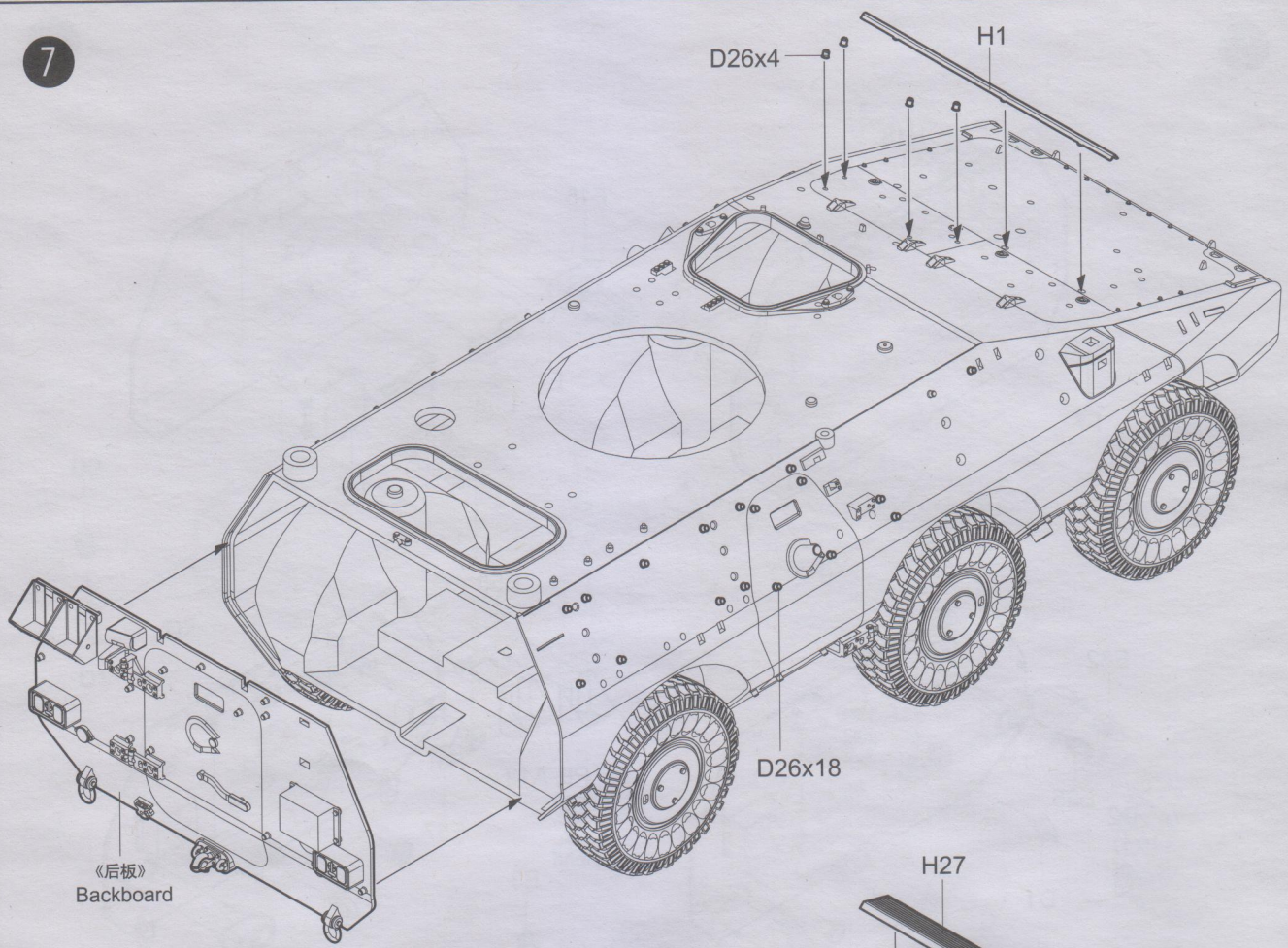
5



6



7



«后板»  
Backboard

D26x4

H1

D26x18

H27

E47

«D-D»

H22

A1

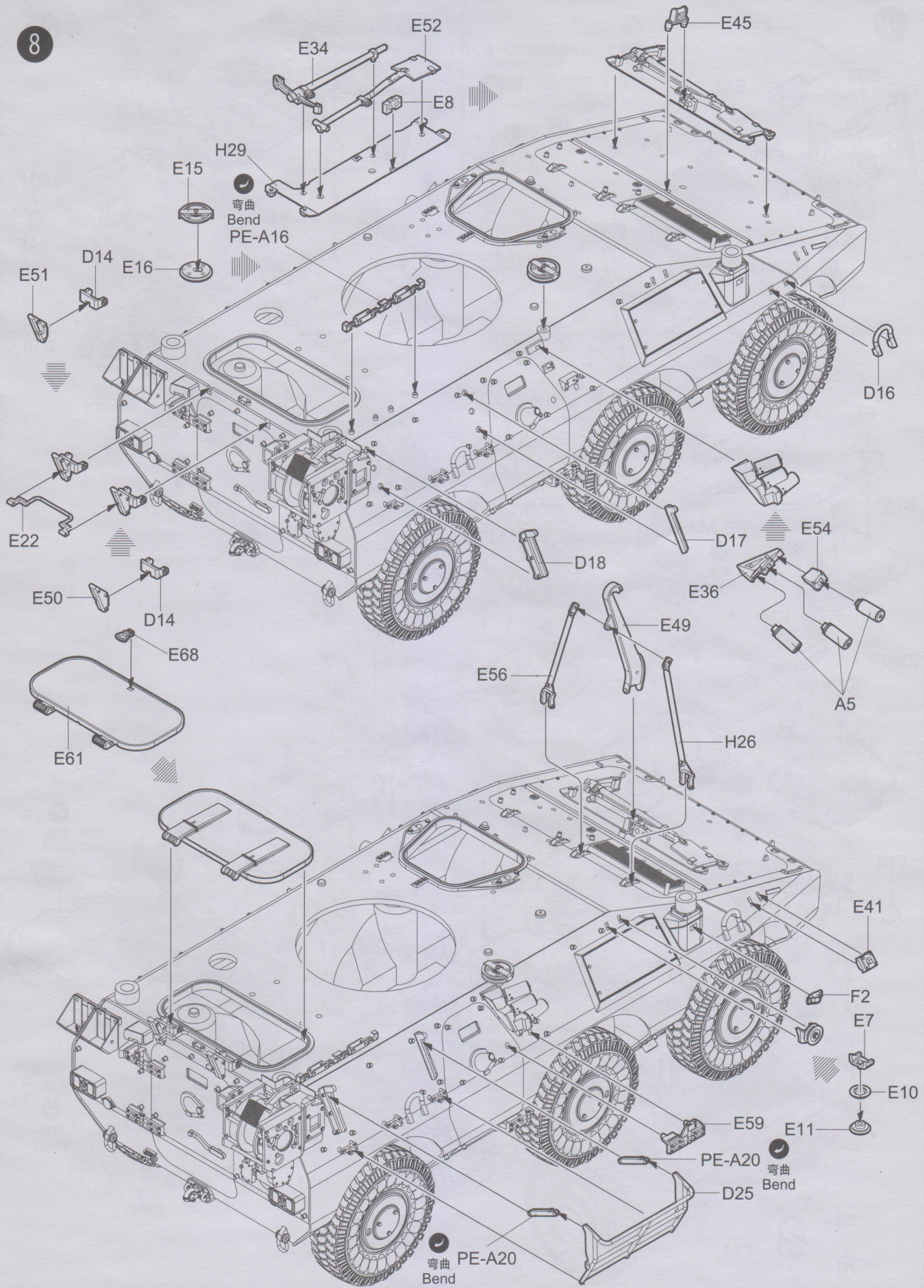
D16

A1

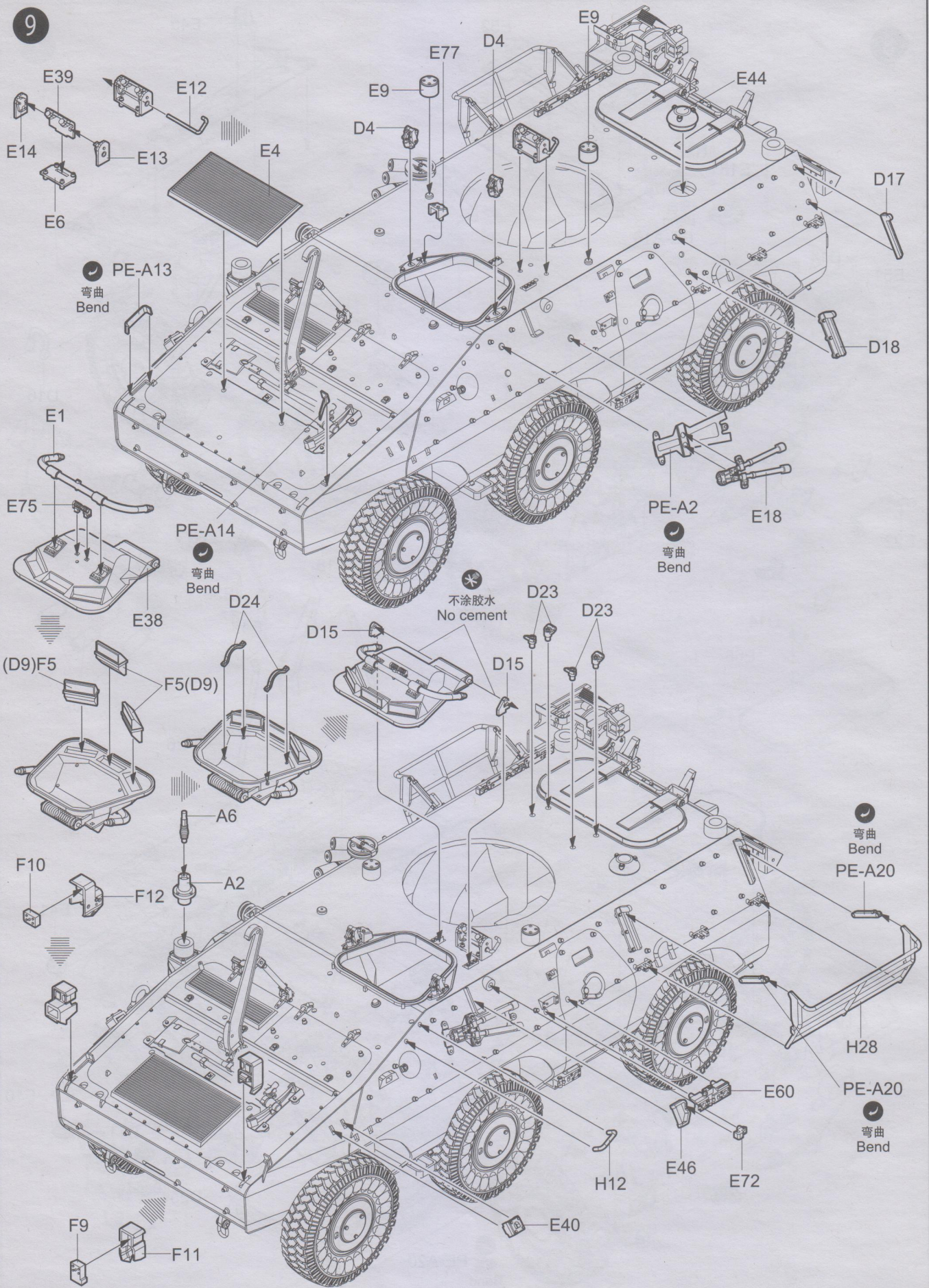
对侧相同  
Both sides

05526

8



9



05526

10

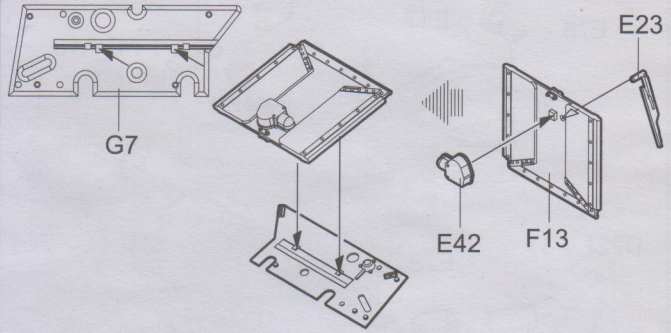
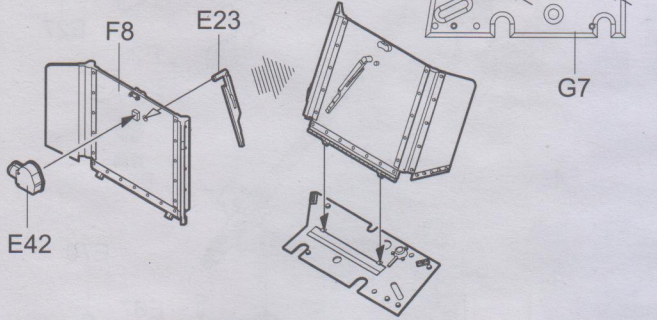
10

选择  
Option

碰穿图中所示位置  
Make hole

碰穿图中所示位置  
Make hole

选择  
Option



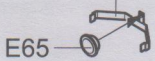
弯曲  
Bend  
PE-A6



弯曲  
Bend  
PE-A21

制作2组  
Make two

弯曲  
Bend  
PE-A9



弯曲  
Bend  
PE-A15

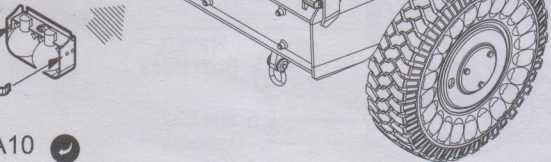


PE-A11

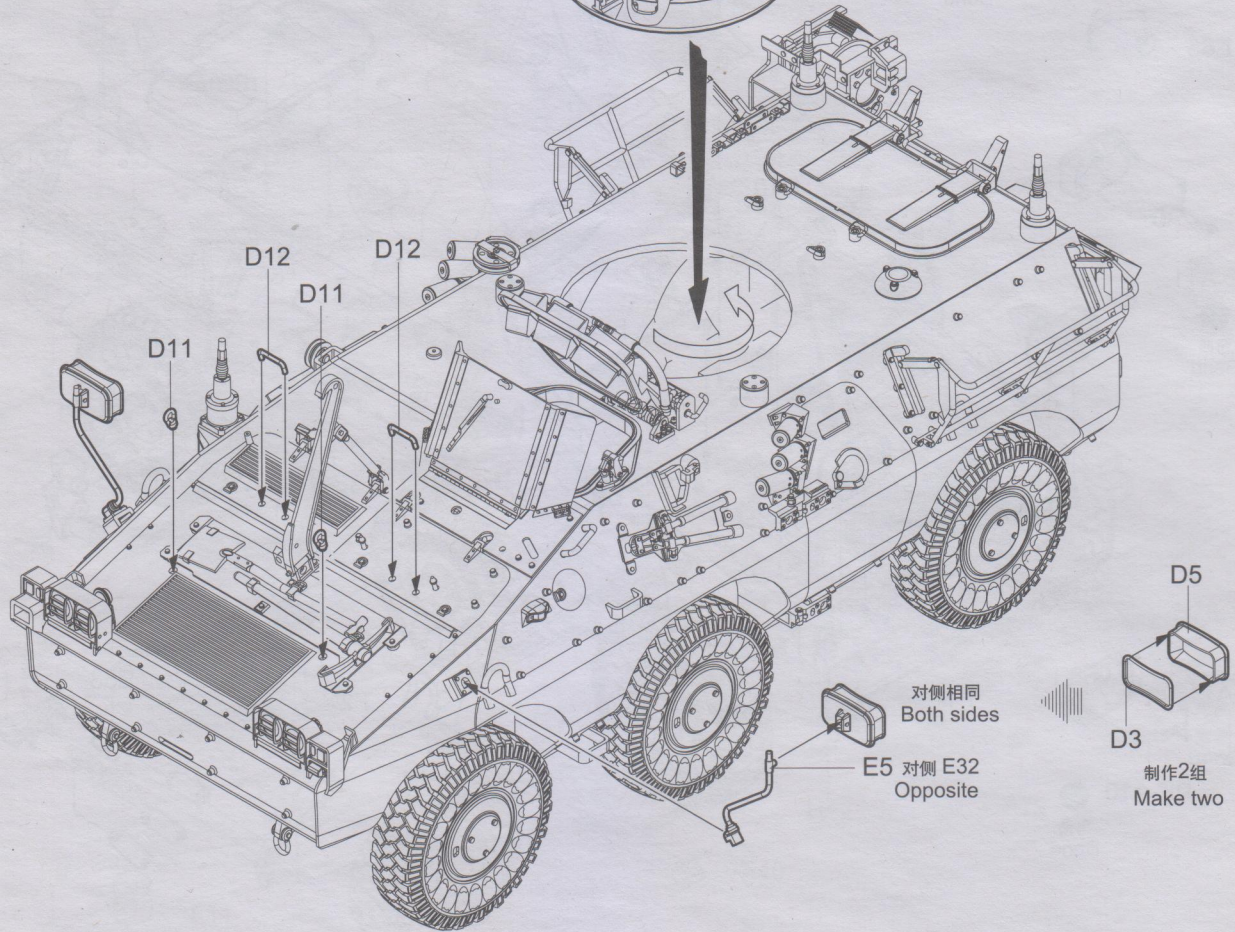
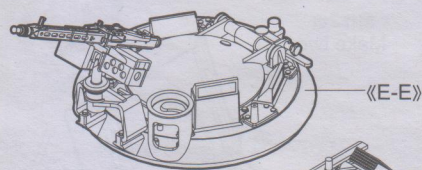
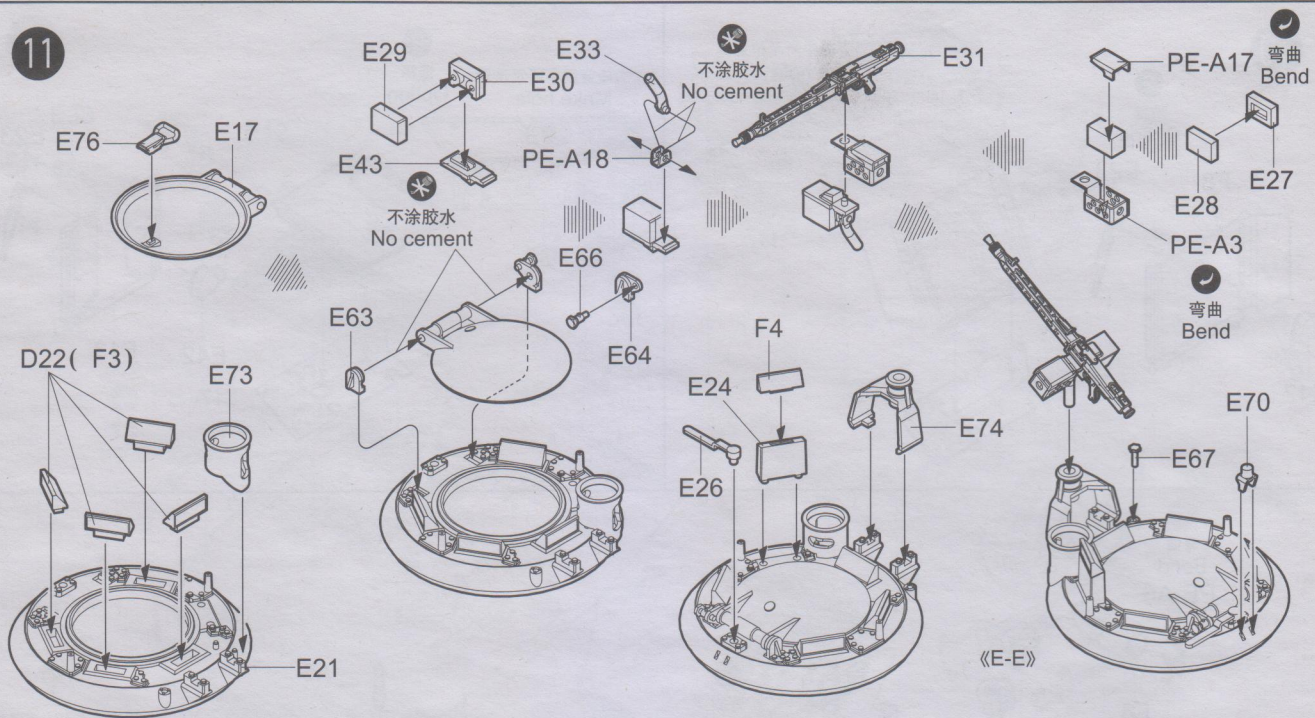
弯曲  
Bend



PE-A10 弯曲  
Bend



11



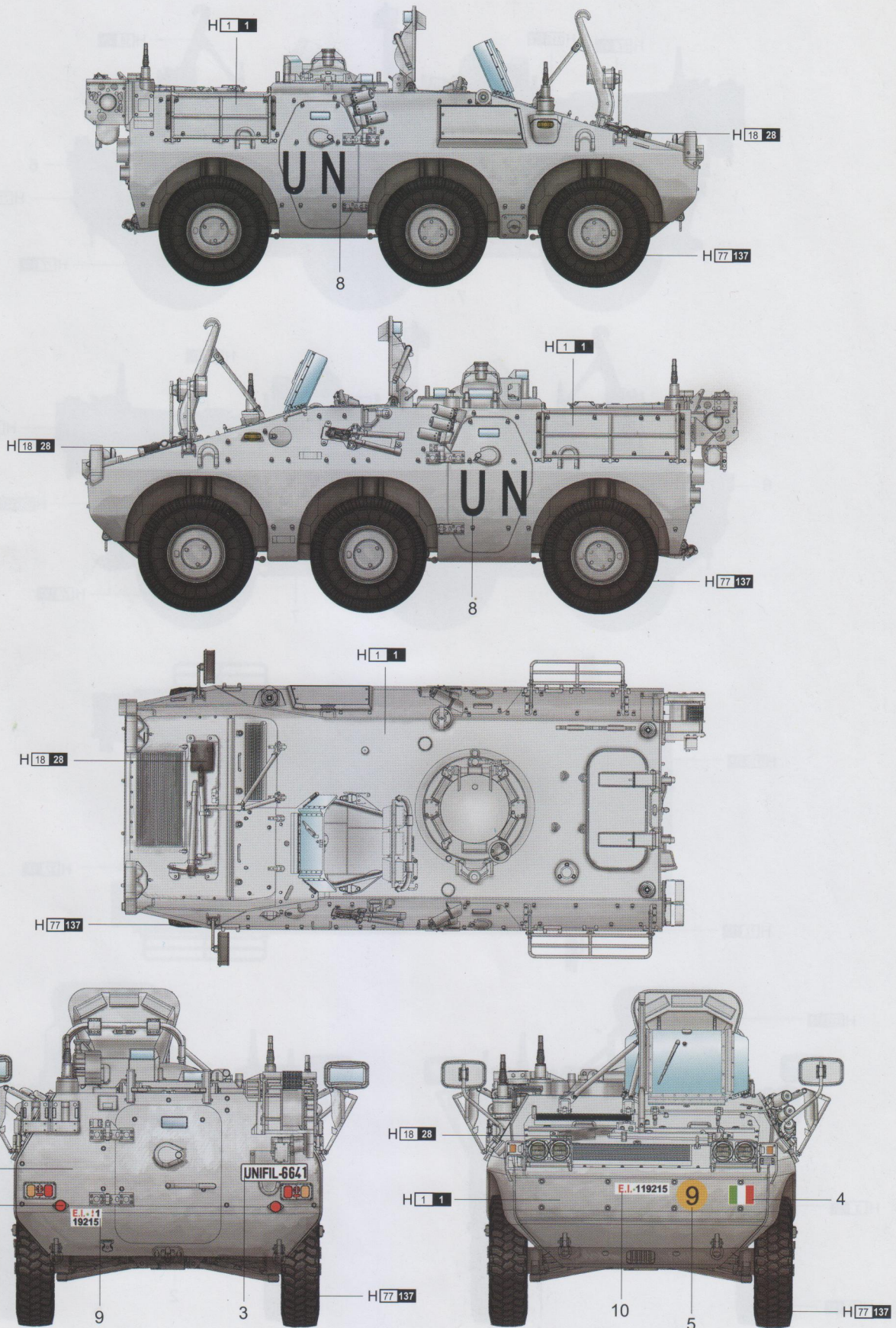
# 涂装同标贴指示

## Painting & Marking guide

### PAINT REFERENCE COLOUR

Color	Mr.Hobby	Vallejo	Model Master	Tamiya	Humbrol
White 白色	H 1 1	842	1745	X2	22
Tire Black 胎黑色	H 77 137	-	-	-	-
Metal Black 黑铁色	H 18 28	864	1402	-	-
Red 红色	H 3 3	908	1503	X7	19

**A**



H  AQUEOUS HOBBY COLOR    ■ Mr. COLOR

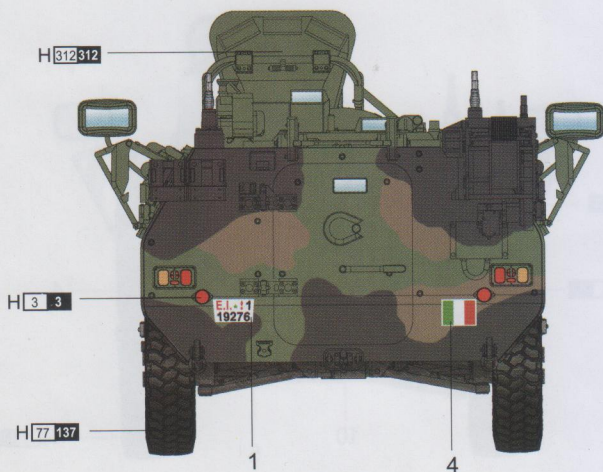
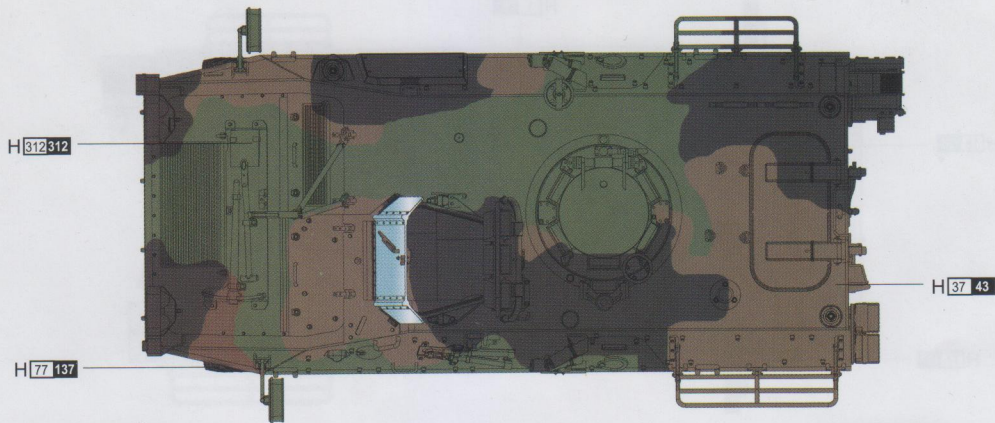
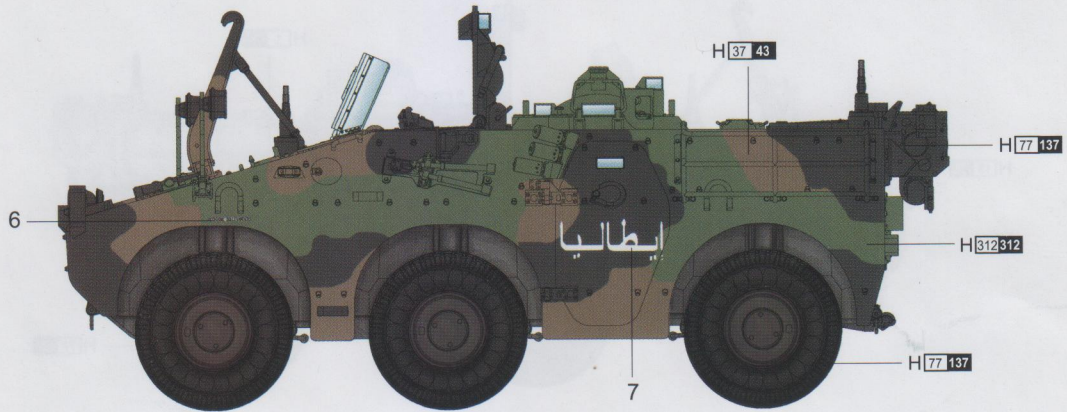
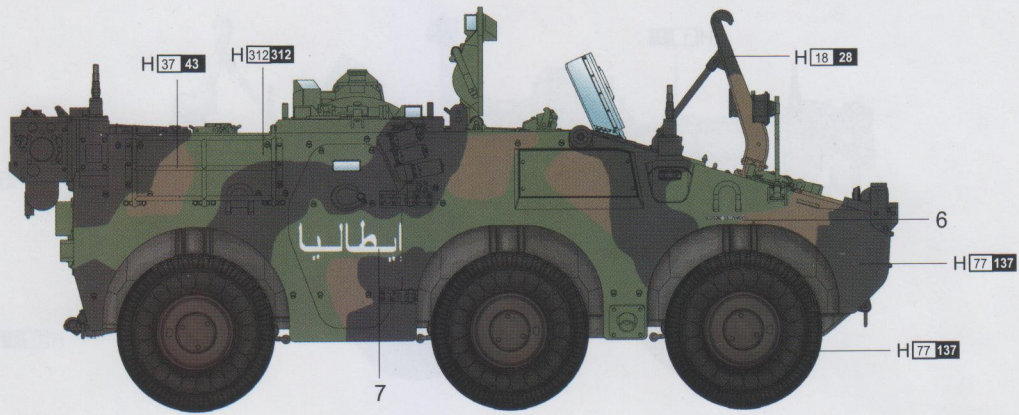
# 涂装同标贴指示

## Painting & Marking guide

### PAINT REFERENCE COLOUR

Color	Mr.Hobby	Vallejo	Model Master	Tamiya	Humbrol
Light Green 绿色	H 312 312	-	1713	XF20	117
Tire Black 胎黑色	H 77 137	-	-	-	-
Metal Black 黑铁色	H 18 28	864	1402	-	-
Red 红色	H 3 3	908	1503	X7	19
Wood Brown 木棕色	H 37 43	983	1701	-	186

**B**



H  AQUEOUS HOBBY COLOR

■ Mr. COLOR