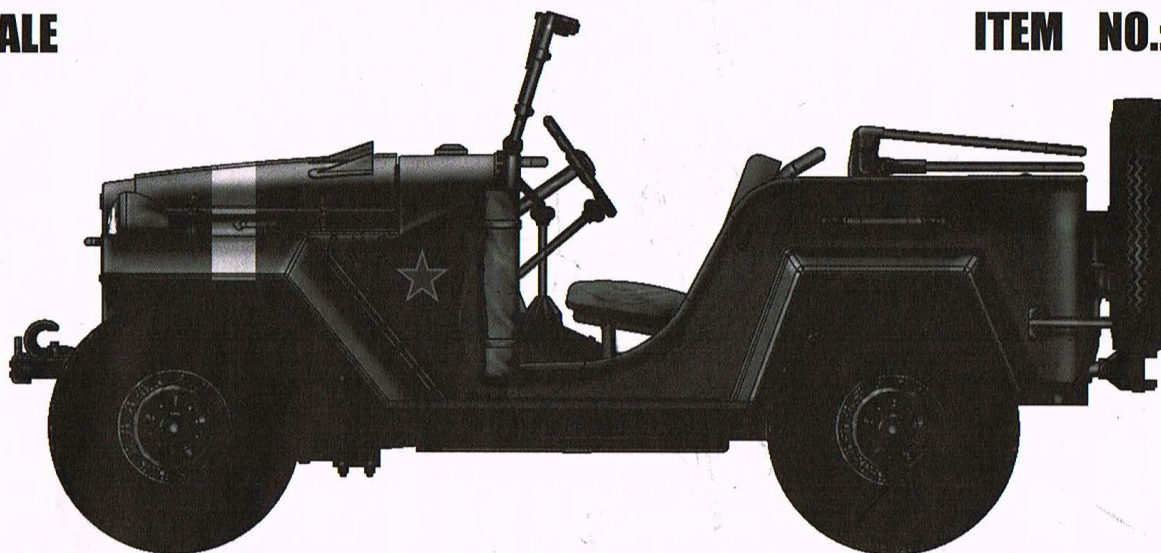


1/35 SCALE

ITEM NO.:02346



# Soviet GAZ-67B Military Vehicles

## 俄罗斯GAZ-67B军用吉普车

### READ BEFORE ASSEMBLY:

- Study and understand these instructions thoroughly before beginning assembly
- When needed, remove photo-etch parts carefully using a modeling knife or photo etch sprue cutter, being careful not to damage or lose small parts.
- Take extra care in handling photo etch parts in order to avoid injury
- Apply instant cement sparingly to photo etch parts where instructed
- Tools recommended(not included in kit):Plastic and instant cements, sprue cutters,long nose pliers,modeling knife, small files, tweezers, pin vise & scissors. Soft cloth and sandpaper will also assist in construction
- Glue and paint are not included in the kit. Use plastic cement and hobby paints only. Color guide for purchasing paint is included in the kit.

### 装配之前仔细阅读

- 小心用模型锉刀锉平所有零件表面的注射浇口。
- 小心用刀片切下蚀刻片零件，不要遗失小零件。
- 用强力快干胶水粘合蚀刻片零件和金属轴。过量快干胶水使用可能导致可动零件会粘住，小心涂胶。
- 取蚀刻片时应特别注意安全，防止利刃划伤手指。
- 某些零件表面需贴上水贴纸，请选择在装配的同时进行。
- 推荐模型工具(自备)：胶水，水口剪刀，长咀钳，刀片，锉刀，镊子，钳，钻，剪刀，瞬间快干胶。
- 软布同砂纸同时也应该是必备工具。
- 请使用塑料胶水和油漆，模型内不含。



配重  
Weight



使用强力胶  
Cyanoacrylate glue



钻孔  
Make hole



切除  
Cut / Remove



贴纸  
Decal



锉平  
File / Sand



选择  
Option



不涂胶水  
No cement



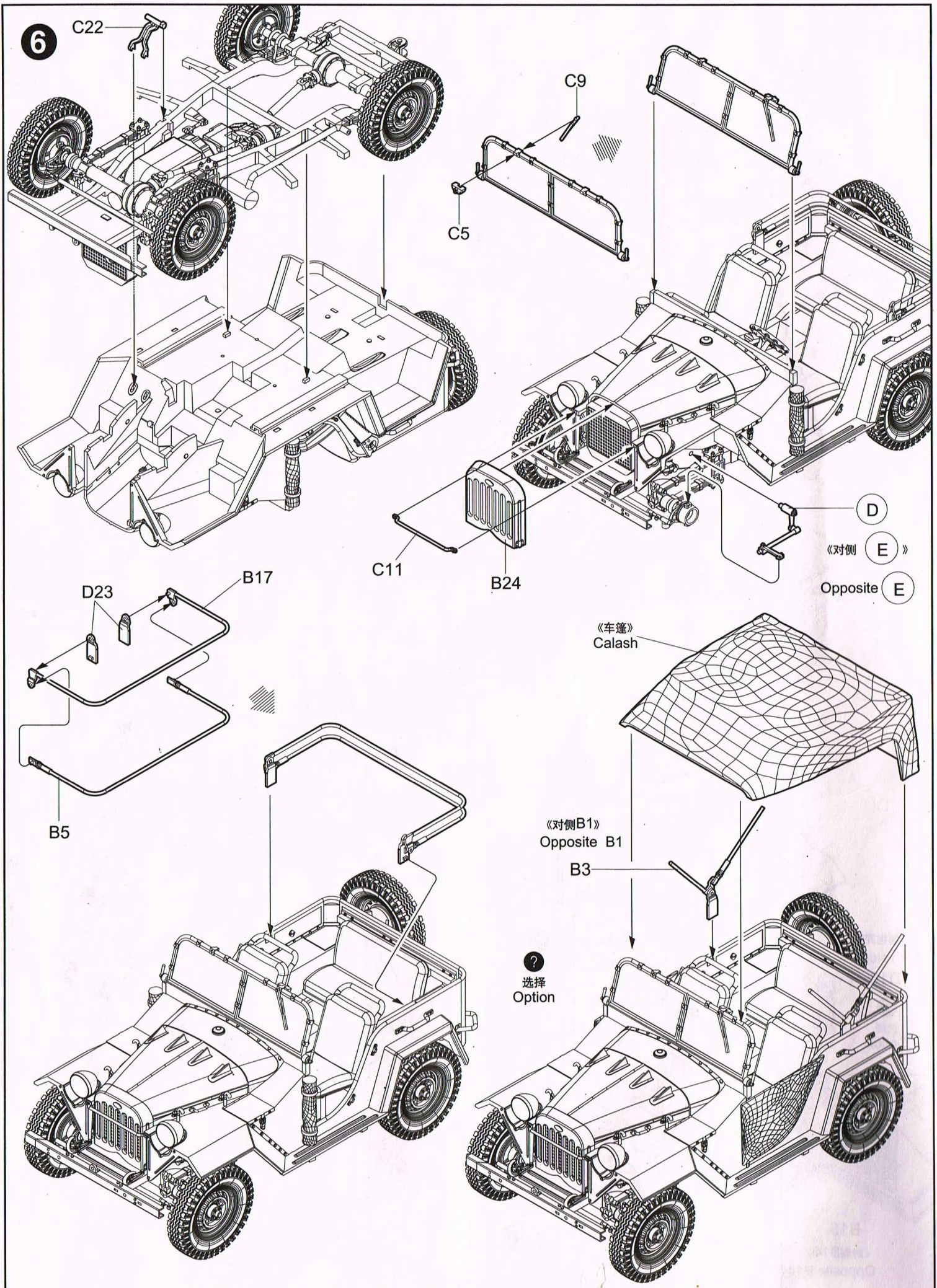
弯曲  
Bend

### 水贴纸的使用:

- 1.从水贴上剪下印花;
- 2.将印花放入温水中浸10秒，然后放在干净布上。
- 3.拿着印花纸板将印花移到模型上;
- 4.手指蘸水将印花移到适当的位置;
- 5.用软布轻压印花直至水干，气泡消失

### DECAL APPLICATION

- 1.Cut decals from sheet as needed
- 2.Dip the decal in warm water for about 10 seconds and then place on soft clean cloth.
- 3.Hold the decal backing sheet edge and gently slide the decal onto the model in its proper position.
- 4.While still wet,decal can be adjusted for better fit on model by dampening it gently with your finger.
- 5.When placed in the proper position,gently press decal down with a soft cloth until excess water and air bubbles are gone.
- 6.Allow decal to dry completely before handling model



6

C22

C9

C5

D

《对侧 E》

Opposite E

B17

C11

B24

D23

《车篷》  
Calash

B5

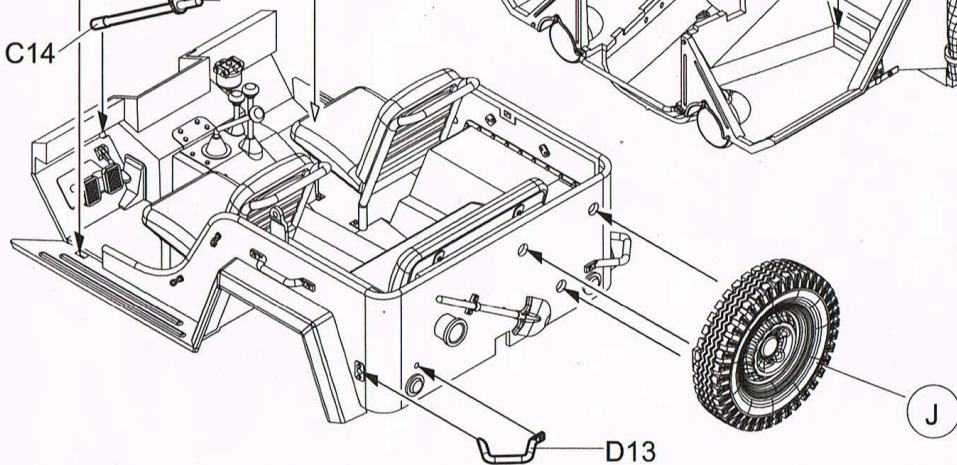
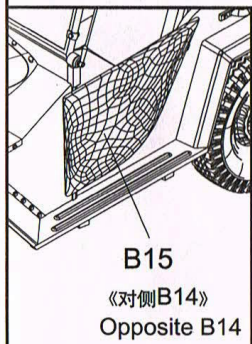
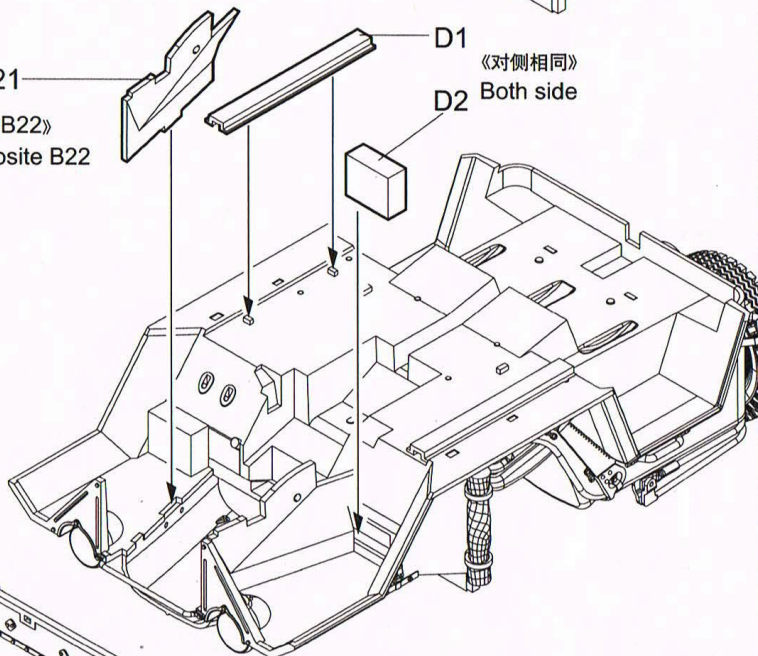
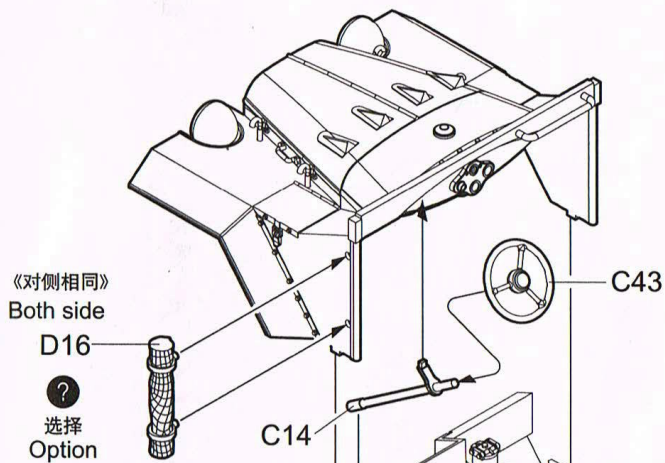
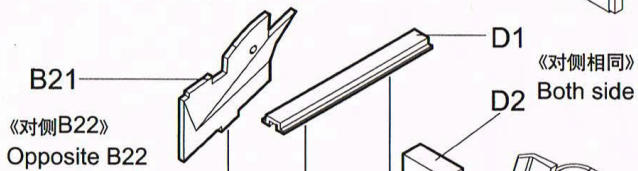
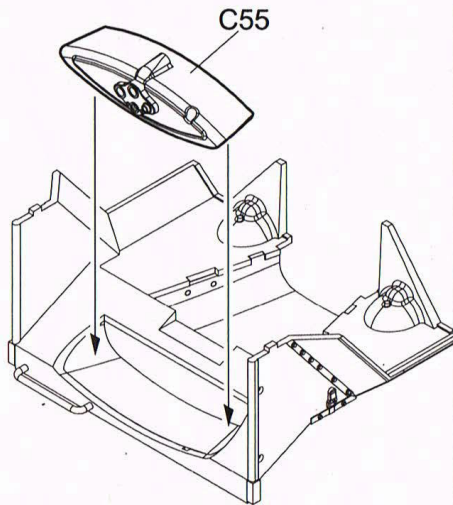
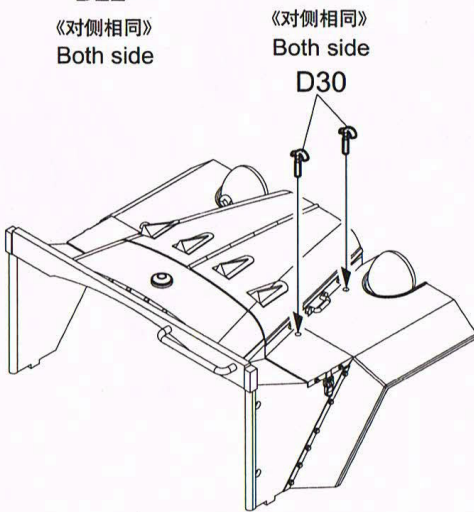
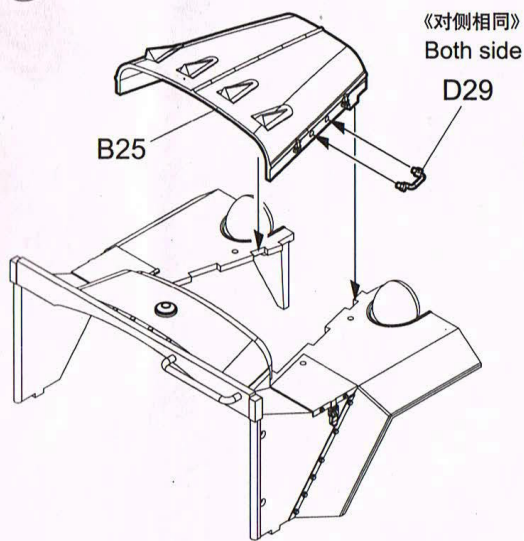
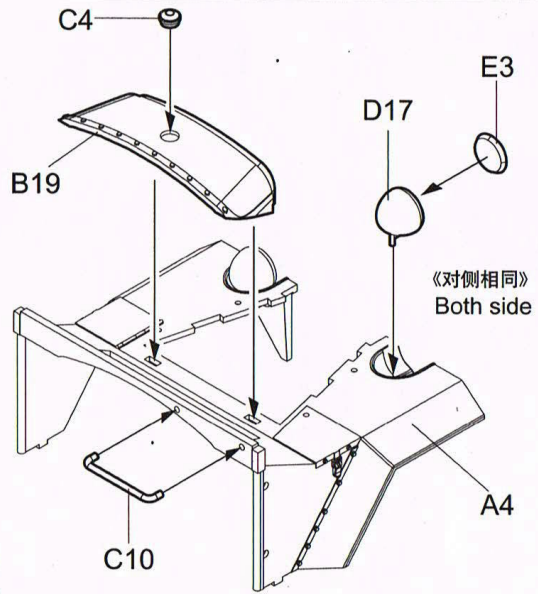
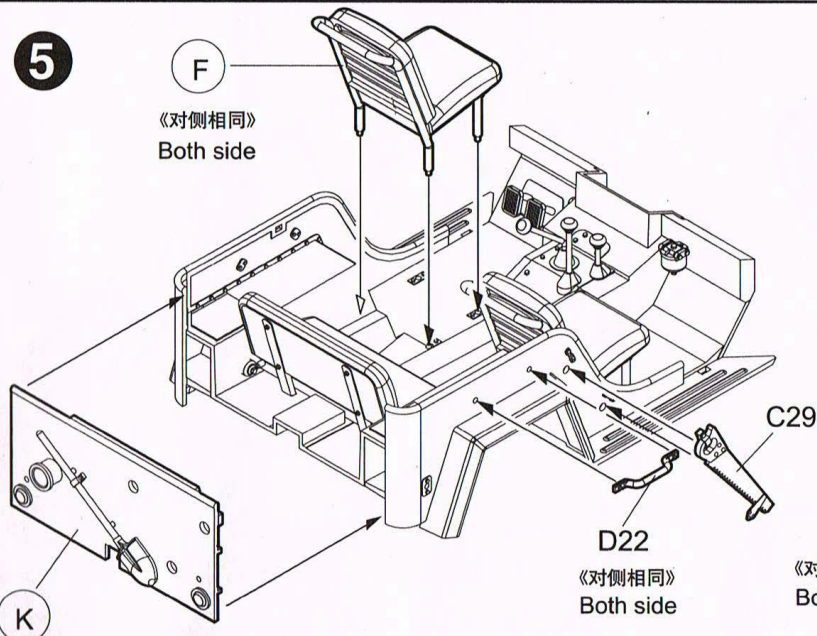
《对侧B1》  
Opposite B1

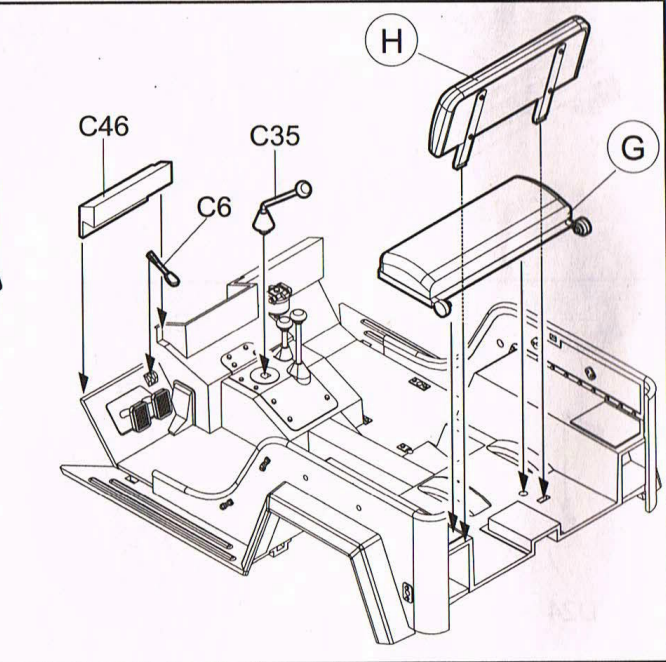
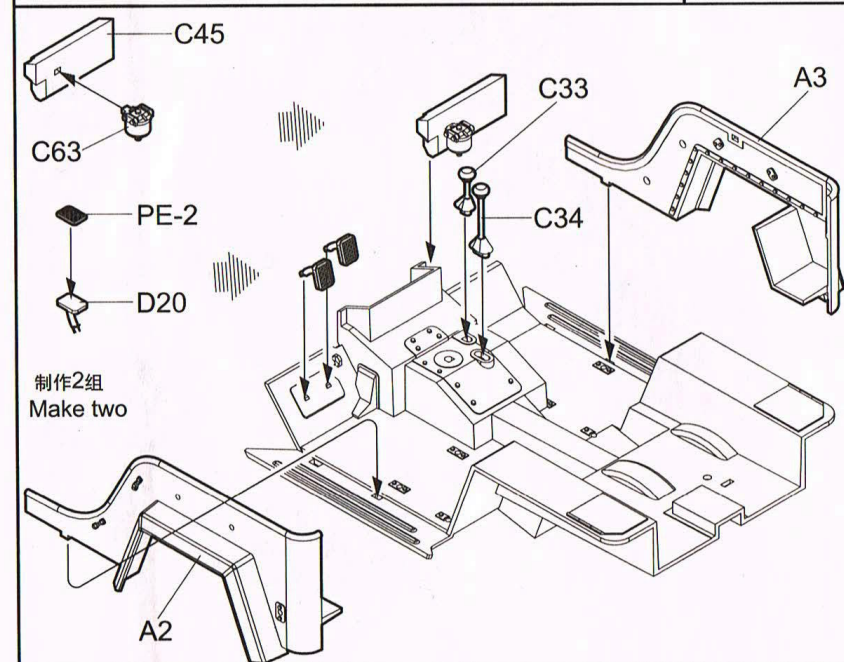
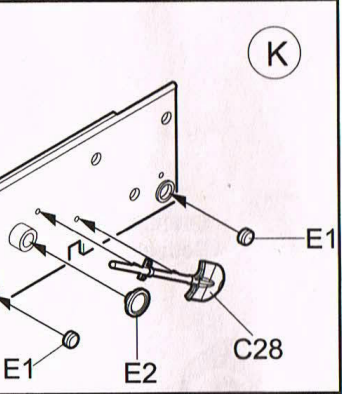
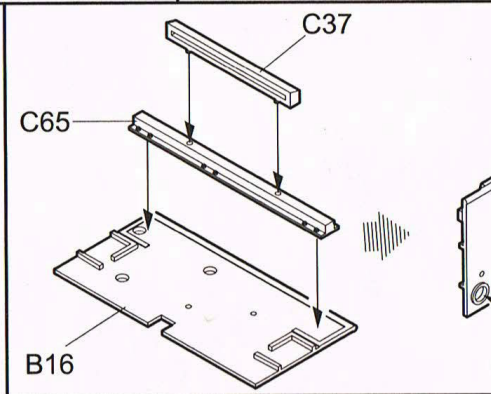
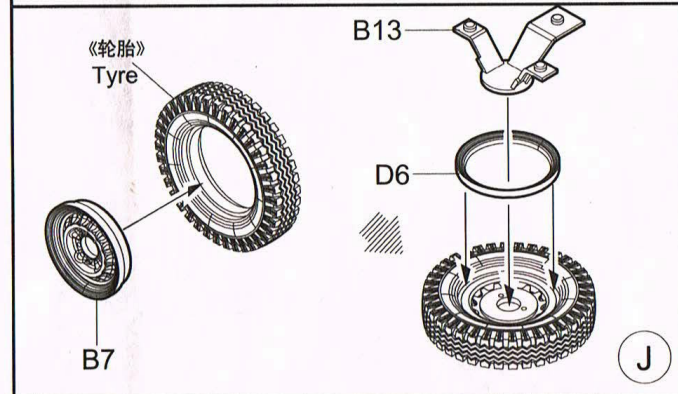
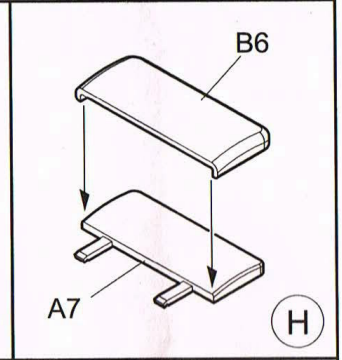
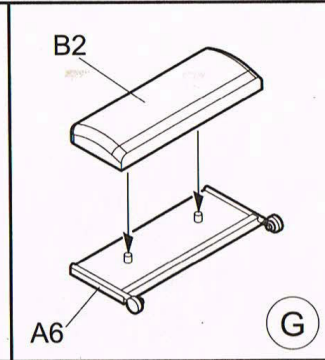
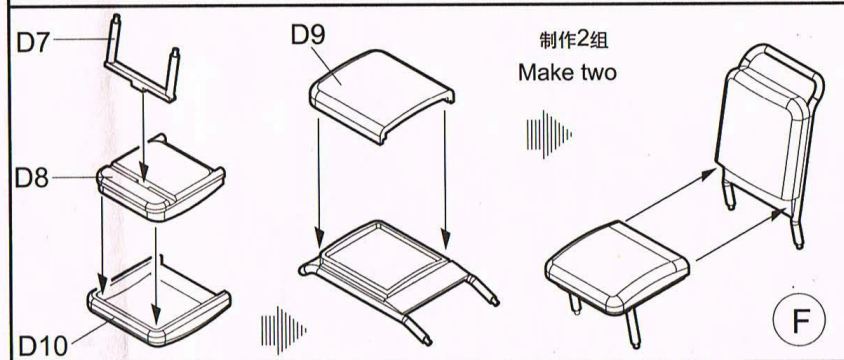
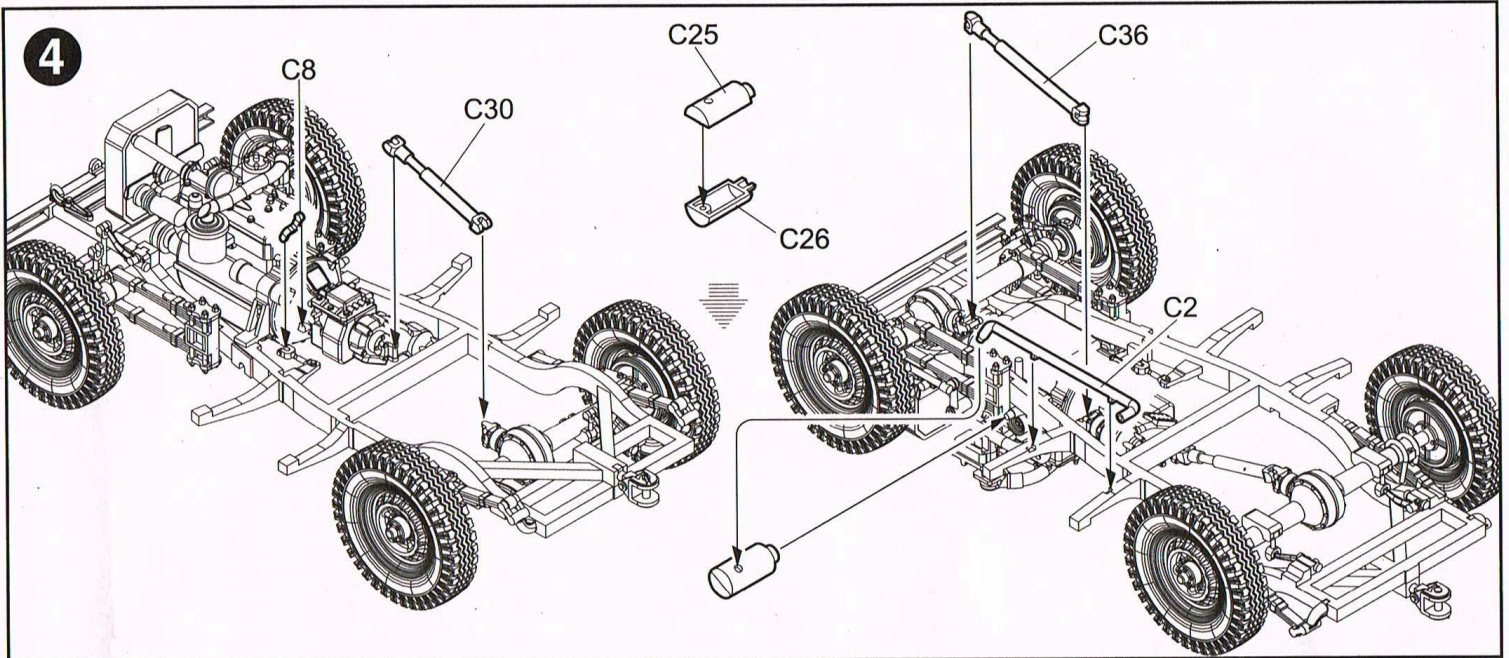
B3

2  
选择  
Option

5

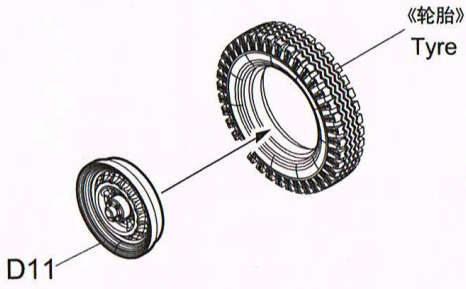
F  
《对侧相同》  
Both side



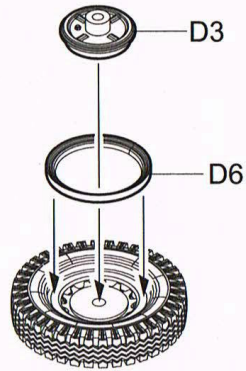




2

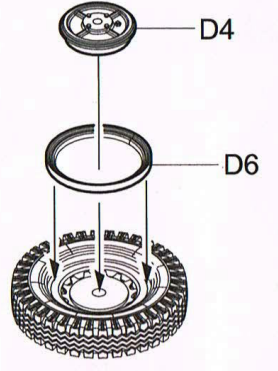


制作4组  
Make four



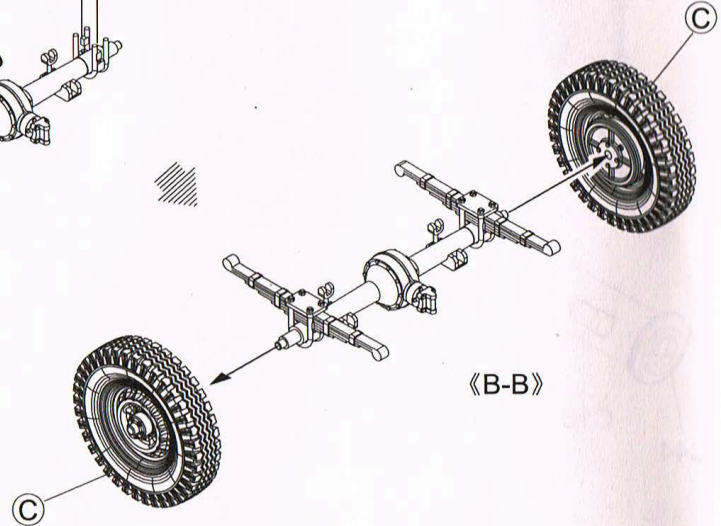
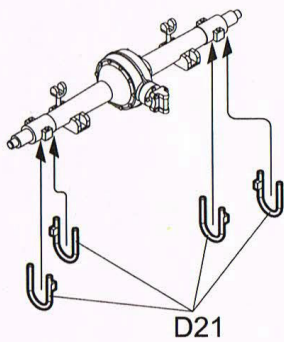
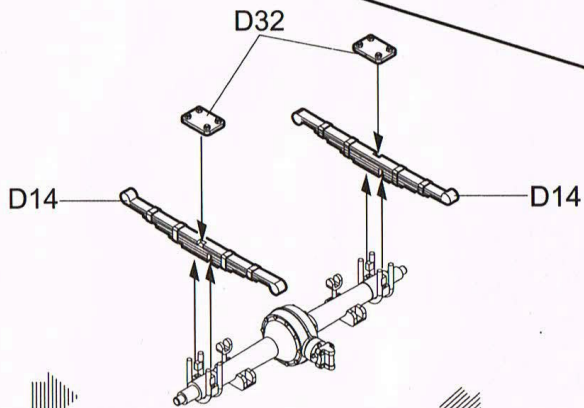
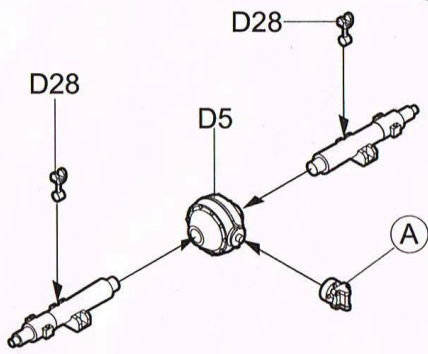
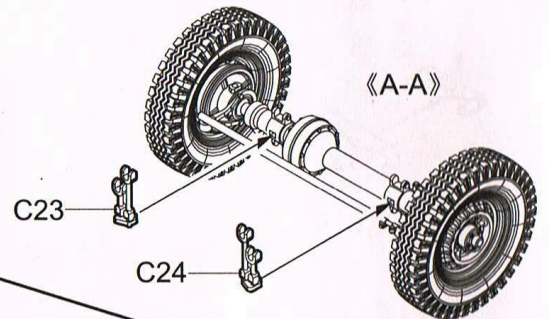
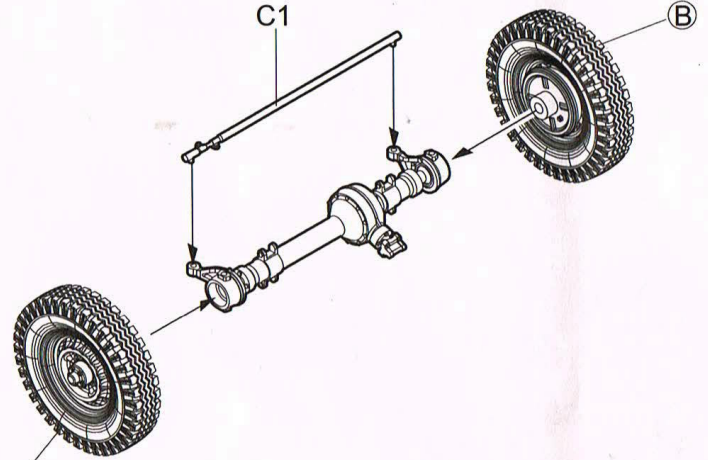
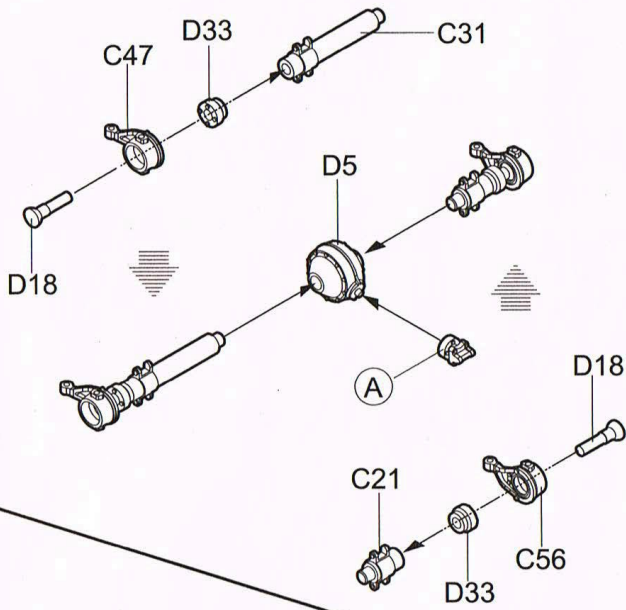
制作2组  
Make two

Ⓑ

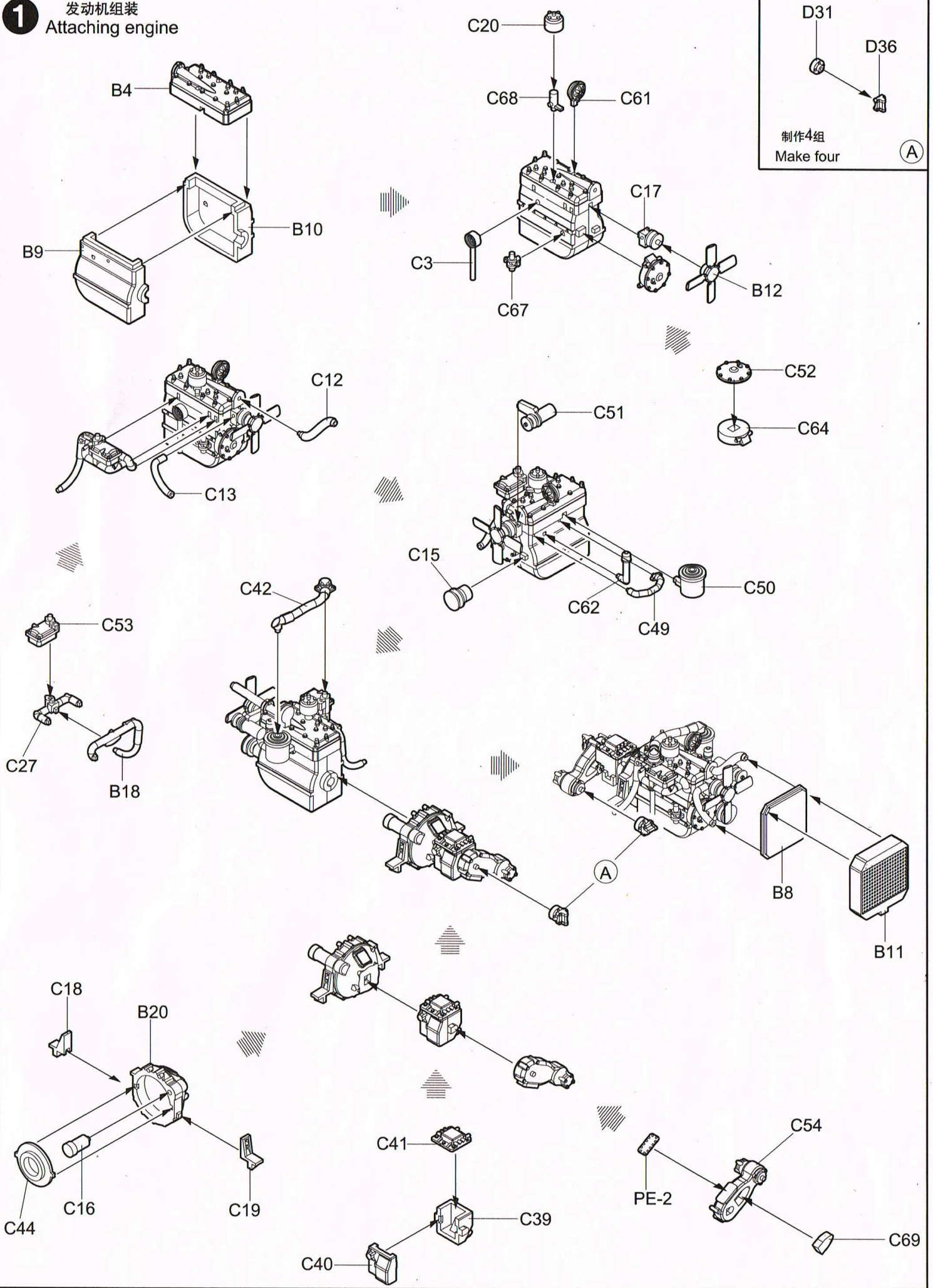


制作2组  
Make two

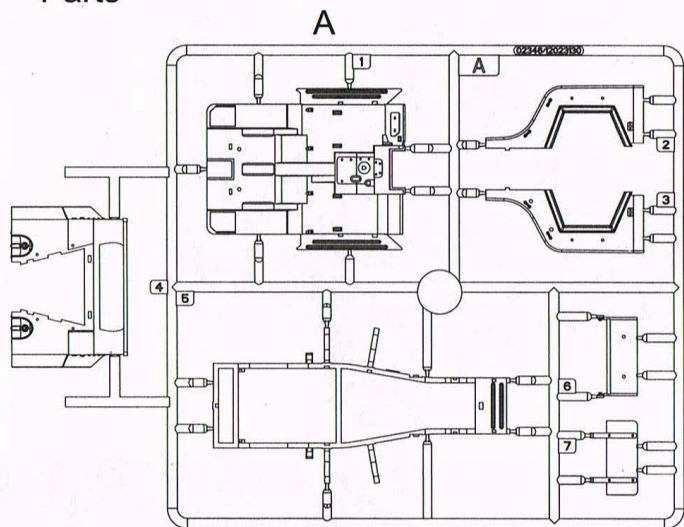
Ⓒ



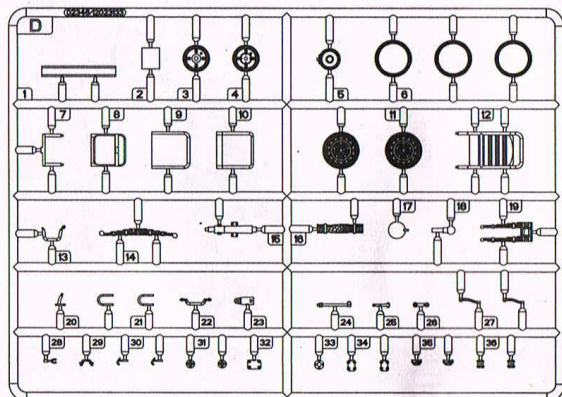
**1** 发动机组装  
Attaching engine



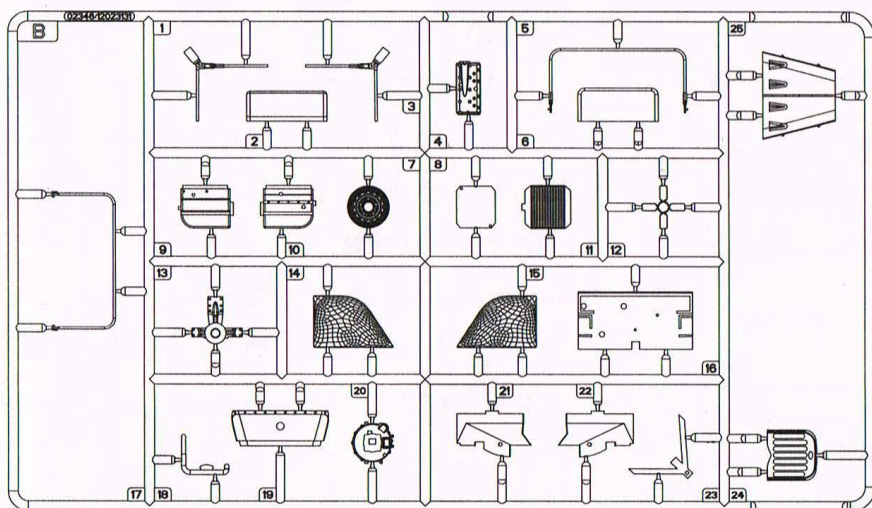
部品图  
Parts



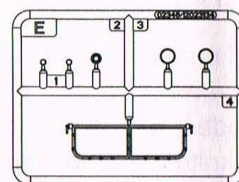
Dx2



B

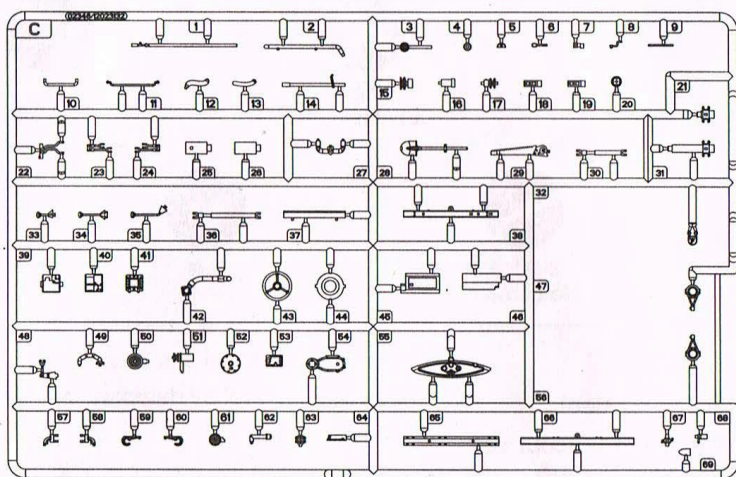


E



《轮胎》x5  
Tyre

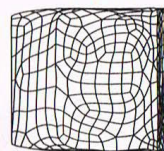
C



《蚀刻片》  
PE



《车篷》  
Calash



《贴纸》  
Decal

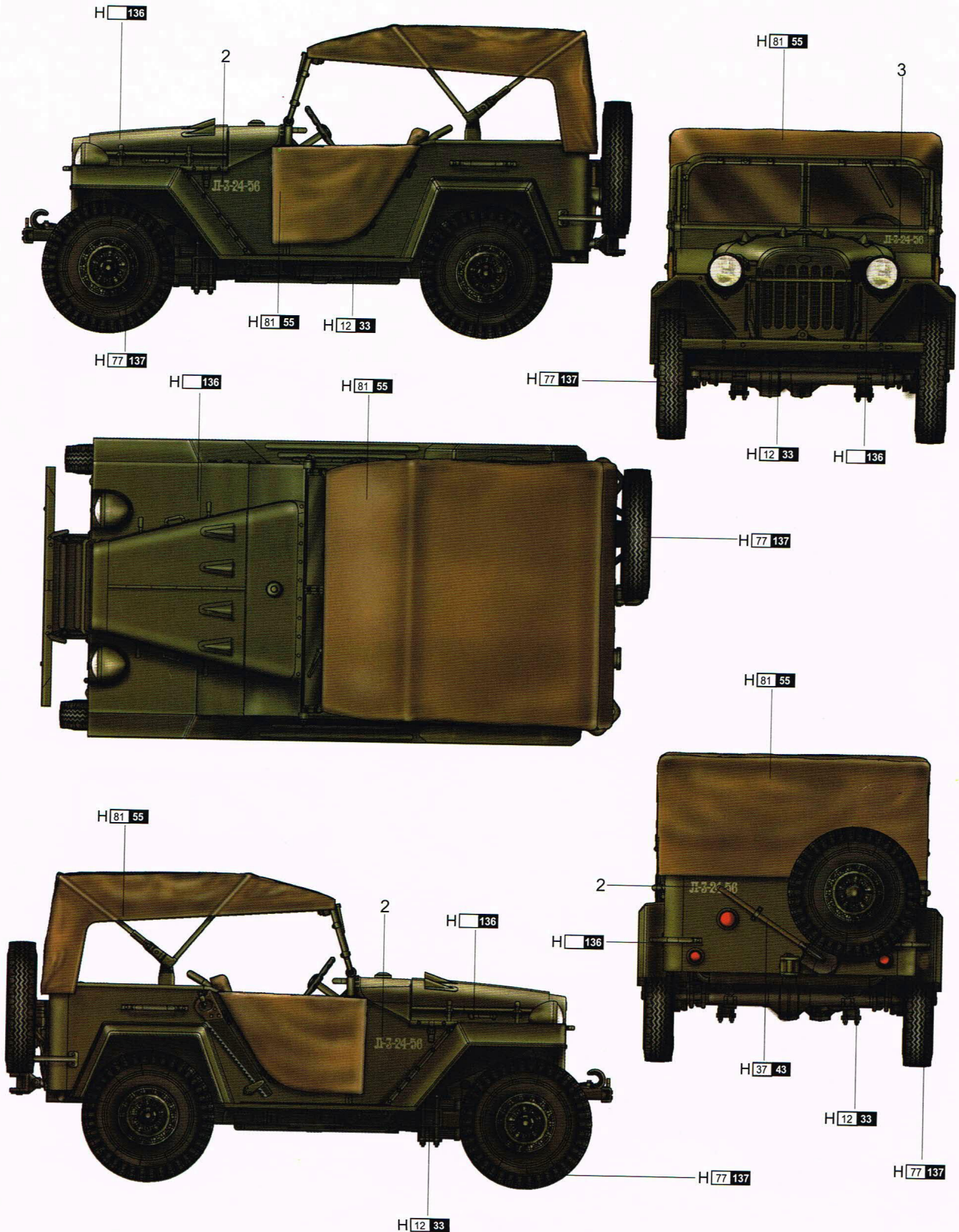


# 涂装同标贴指示

## Painting & Marking guide

### PAINT REFERENCE COLOUR

Color	Mr.Hobby	Vallejo	Model Master	Tamiya	Humbrol
Flat Black 哑光黑	H 12 33	950	1749	XF1	33
Russian Green 苏式绿	H 136	-	1713	XF20	117
Tire Black 胎黑色	H 77 137	-	-	-	-
Wood brown 木棕色	H 37 43	983	1701	-	186
Khaki 卡其色	H 81 55	988	-	XF49	26



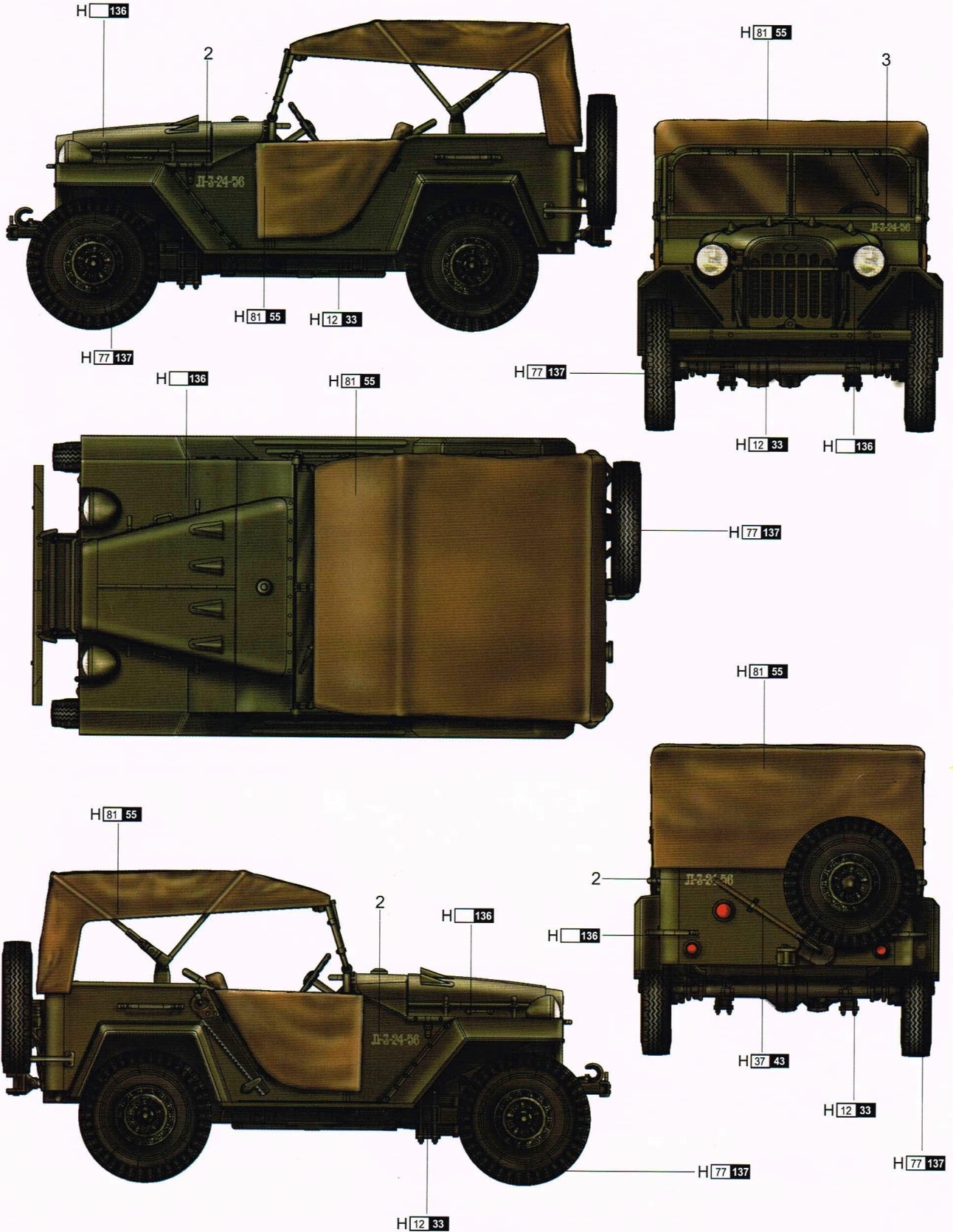
H □ AQUEOUS HOBBY COLOR ■ Mr. COLOR

# 涂装同标贴指示

## Painting & Marking guide

### PAINT REFERENCE COLOUR

Color	Mr.Hobby	Vallejo	Model Master	Tamiya	Humbrol
Flat Black 哑光黑	H 12 33	950	1749	XF1	33
Russian Green 苏式绿	H 136	-	1713	XF20	117
Tire Black 胎黑色	H 77 137	-	-	-	-
Wood brown 木棕色	H 37 43	983	1701	-	186
Khaki 卡其色	H 81 55	988	-	XF49	26



□ AQUEOUS HOBBY COLOR    ■ Mr. COLOR