



USS Missouri BB-63

美国“密苏里”号战列舰BB-63

1/200 scale

READ BEFORE ASSEMBLY:

- This kit is not recommended for inexperienced modelers or for children under 14 years of age
- Study and understand these instructions thoroughly before beginning assembly
- When needed, remove photo-etch parts carefully using a modeling knife or photo etch sprue cutter, being careful not to damage or lose small parts.
- Take extra care in handling photo etch parts in order to avoid injury
- Apply instant cement sparingly to photo etch parts where instructed

- Tools recommended(not included in kit):Plastic and instant cements,sprue cutters,long nose pliers,, modeling knife, small files, tweezers, pin vise & scissors. Soft cloth and sandpaper will also assist in construction
- Glue and paint are not included in the kit. Use plastic cement and hobby paints only. Color guide for purchasing paint is included in the kit.
- Keep out of reach of small children. They must not be allowed to ingest small parts or handle plastic bags in any way.

装配之前仔细阅读

- 小心用模型锉刀锉平所有零件表面的注射浇口。
- 小心用刀片切下蚀刻片零件，不要遗失小零件。
- 用强力快干胶水粘合蚀刻片零件和金属轴。过量的快干胶水使用可能导致可动零件会粘住，小心涂胶。
- 取蚀刻片时应特别注意安全，防止利边划伤手指。
- 某些零件表面需贴水贴纸，请选择在装配的同时进行。
- 推荐模型工具(自备)：胶水，水口剪刀，长咀钳，刀片，锉刀，镊子钳，钻，剪刀，瞬间快干胶。
- 软布同砂纸同时也应该是必备工具。
- 请使用塑料胶水和油漆，模型内不含。
- 谨防小孩吸吮塑料零件，或者将塑料袋套在头上，制作时应将套材远离小孩接触。
- 本产品不适合14岁以下没有经验的模型爱好者。

水贴纸的使用:

1. 从水贴纸上剪下印花;
2. 将印花放入温水中浸10秒, 然后放在干净布上。
3. 拿着印花纸板将印花移到模型上;
4. 手指蘸水将印花移到适当的位置;

DECAL APPLICATION:

1. Cut decals from sheet as needed
2. Dip the decal in warm water for about 10 seconds and then place on soft clean cloth.
3. Hold the decal backing sheet edge and gently slide the decal onto the model in its proper position.

4. While still wet, decal can be adjusted for better fit on model by dampening it gently with your finger.
5. When placed in the proper position, gently press decal down with a soft cloth until excess water and air bubbles are gone.
6. Allow decal to dry completely before handling



使用强力胶

Cyanoacrylate glue



配重

Weight



钻孔

Make hole



切除

Cut / Remove



贴纸



锉平



选择



不涂胶水



弯曲

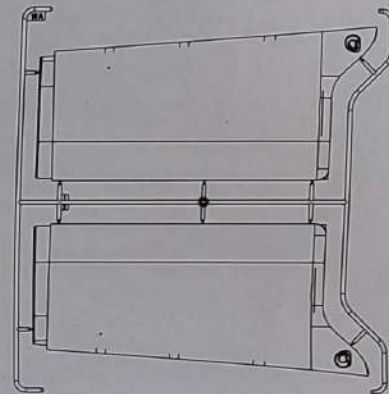
部品图

Parts

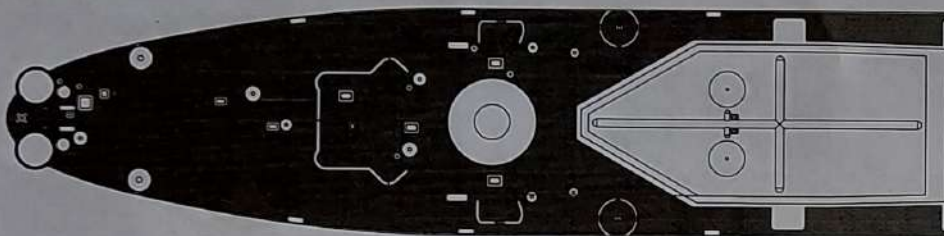
《船体》
Hull



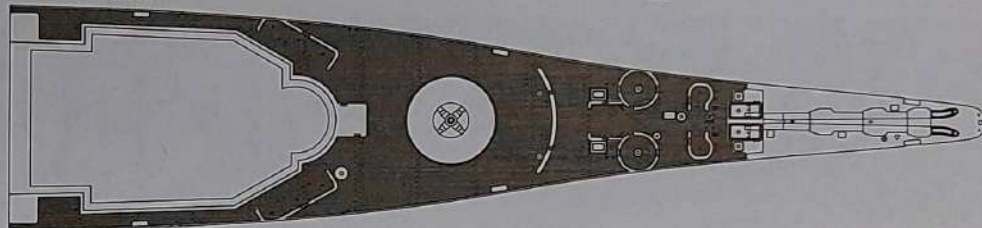
WA



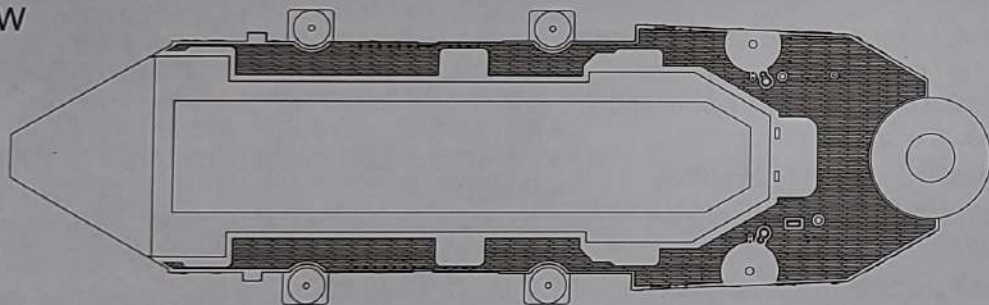
《后甲板》
Rear deck



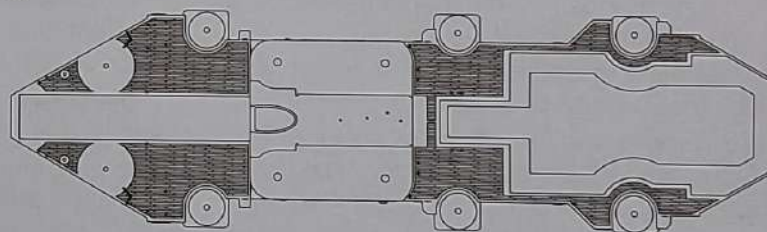
《前甲板》
Fore deck



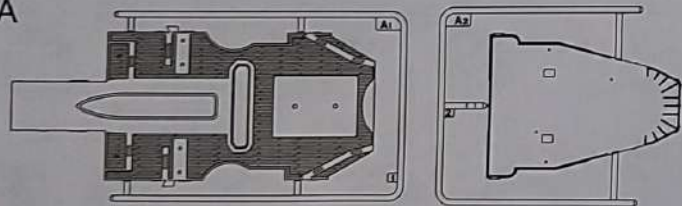
W



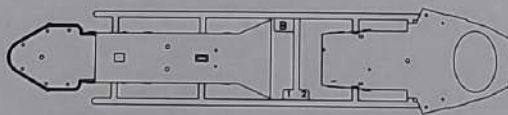
X



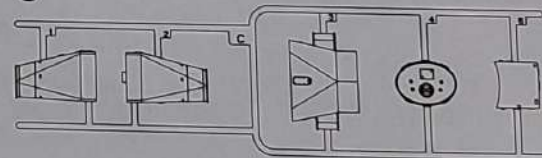
A

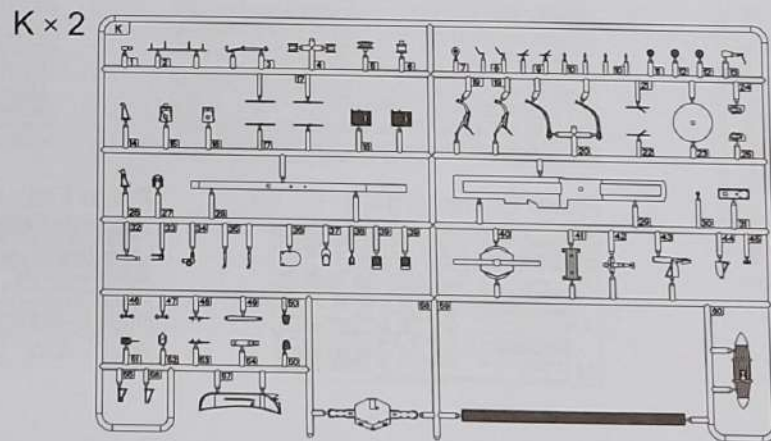
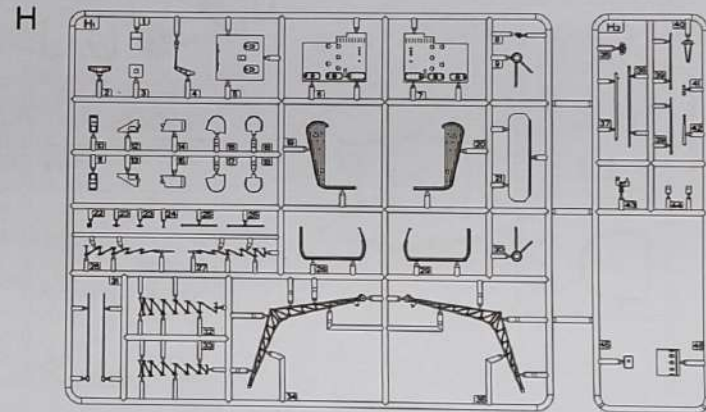
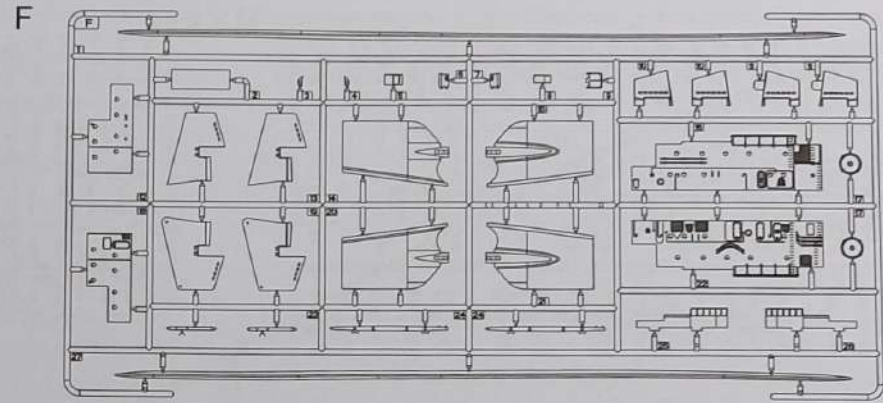
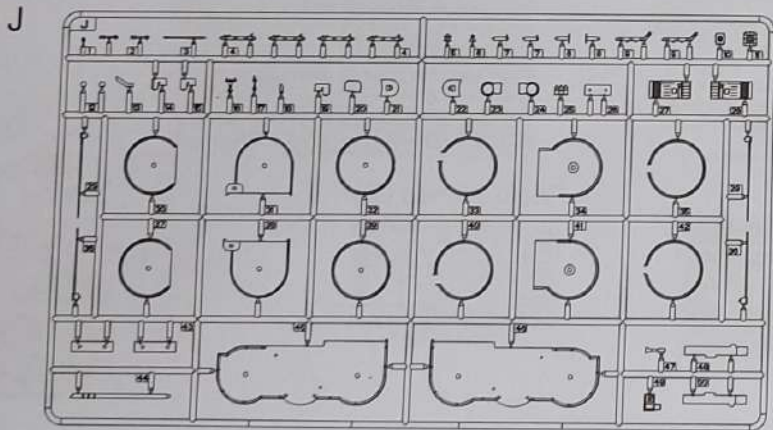
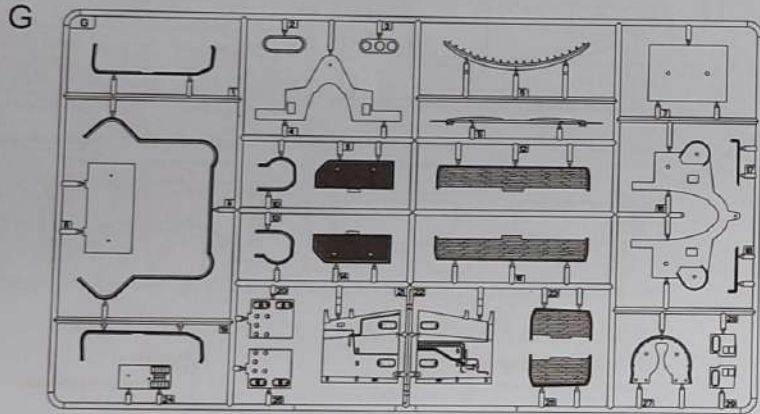
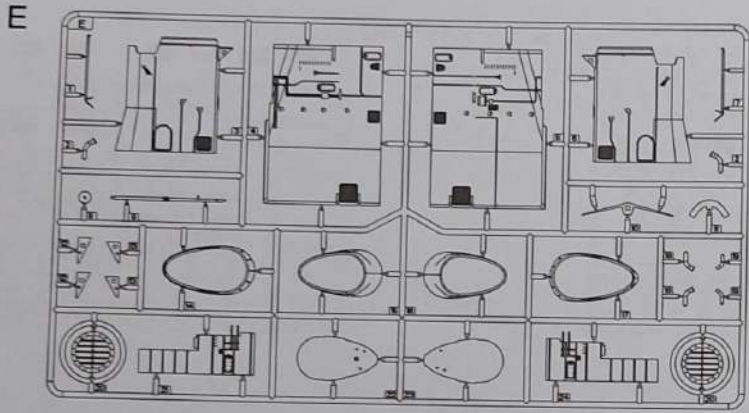


B



C





《螺旋桨》1
Propeller 1



《螺旋桨》4
Propeller 4



《螺旋桨》2
Propeller 2

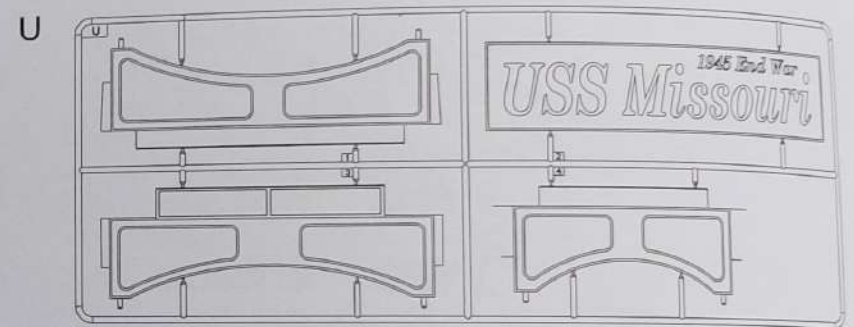
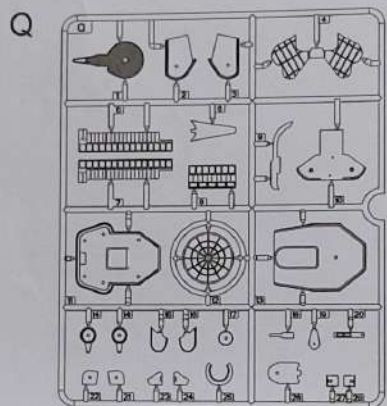
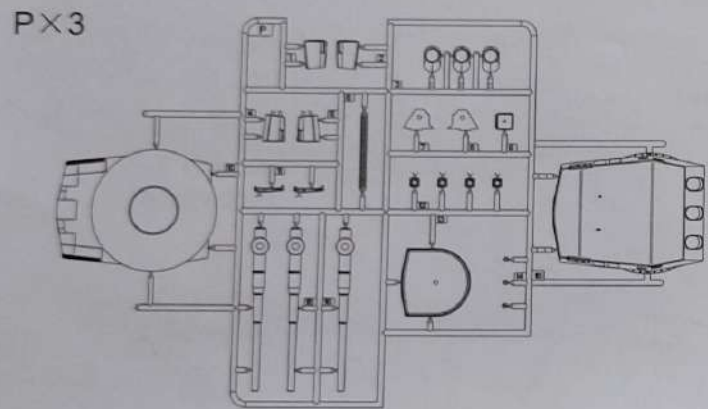
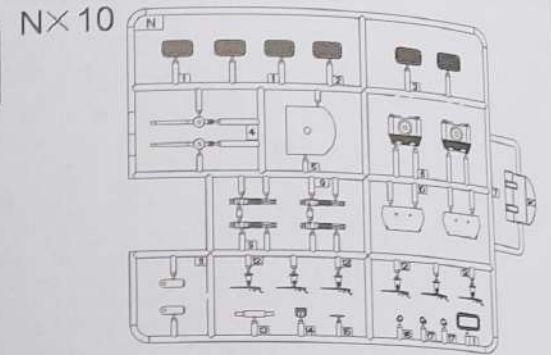
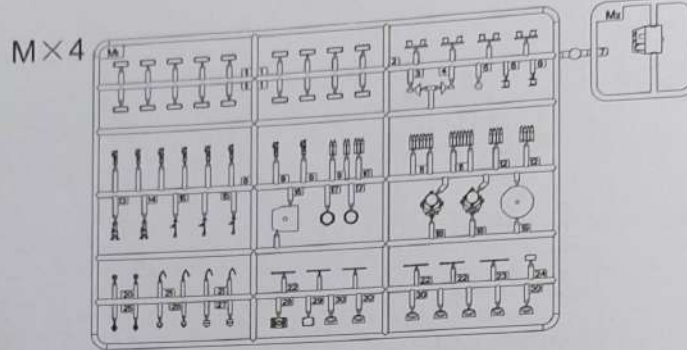
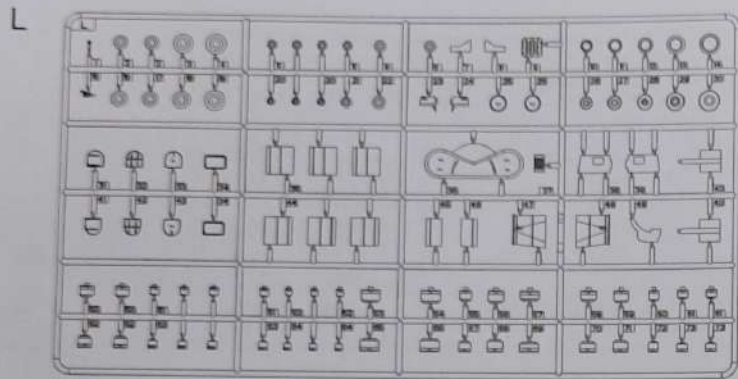


《螺旋桨》3
Propeller 3



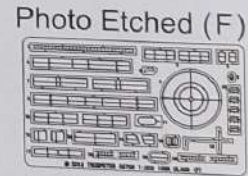
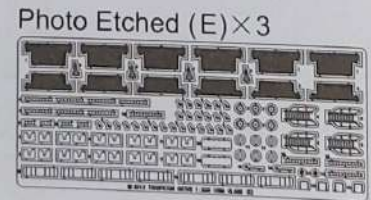
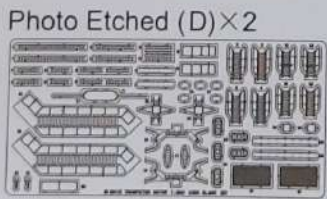
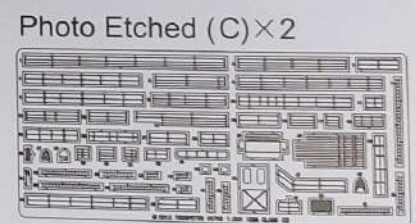
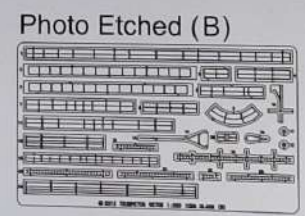
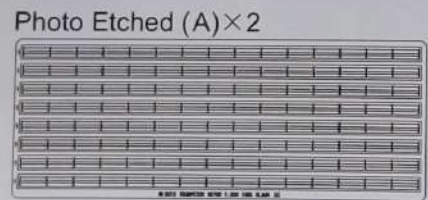
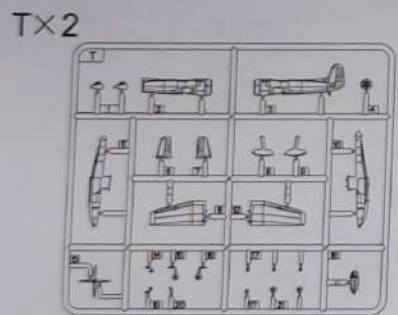
锚 x 2
Anchor

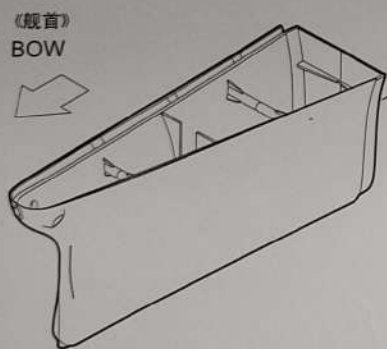
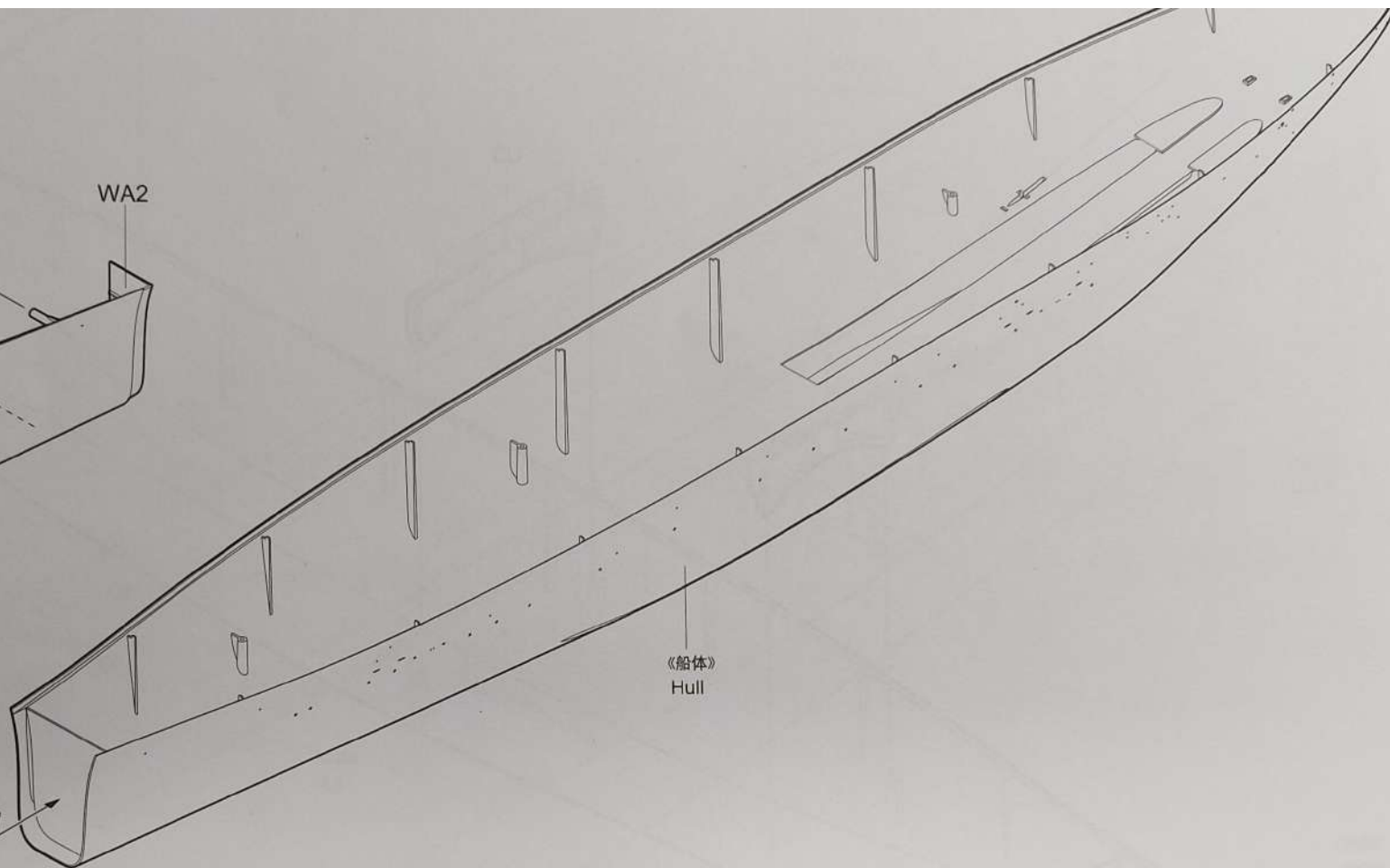
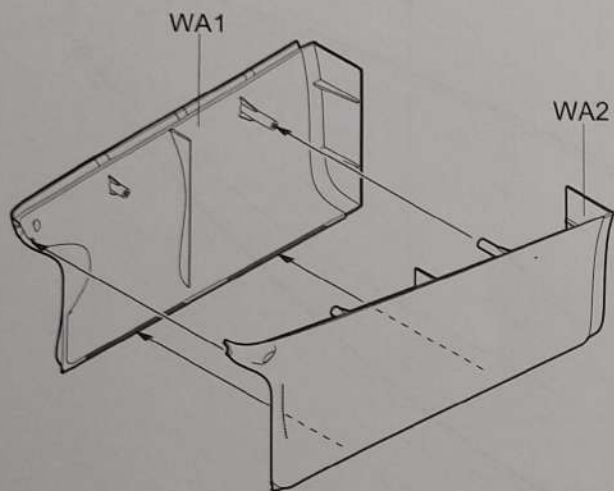




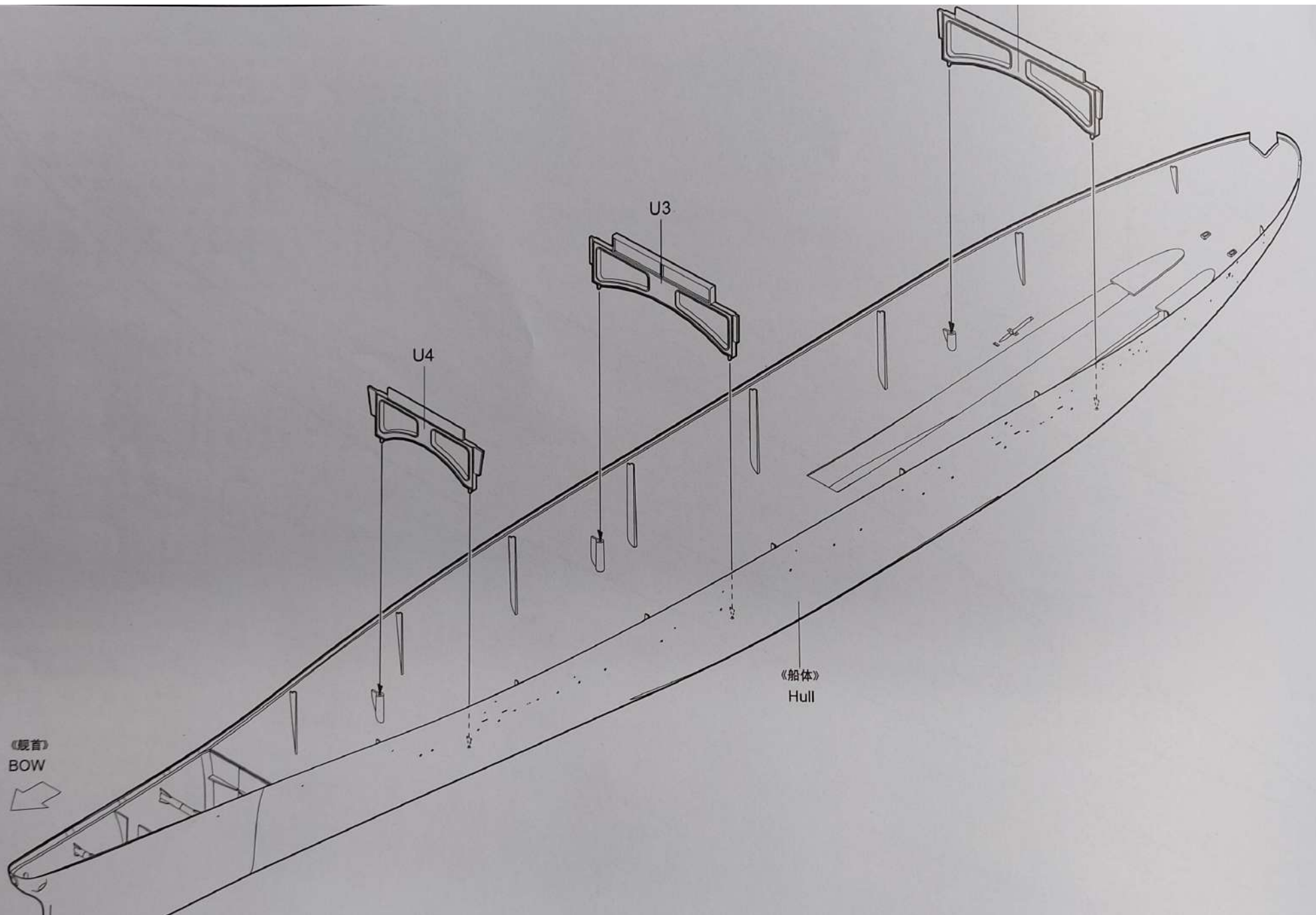
《螺旋桨轴》 $\varnothing 2.5 \times 107 \times 2$
Propeller shaft

《锚链》L:500
Chain





2



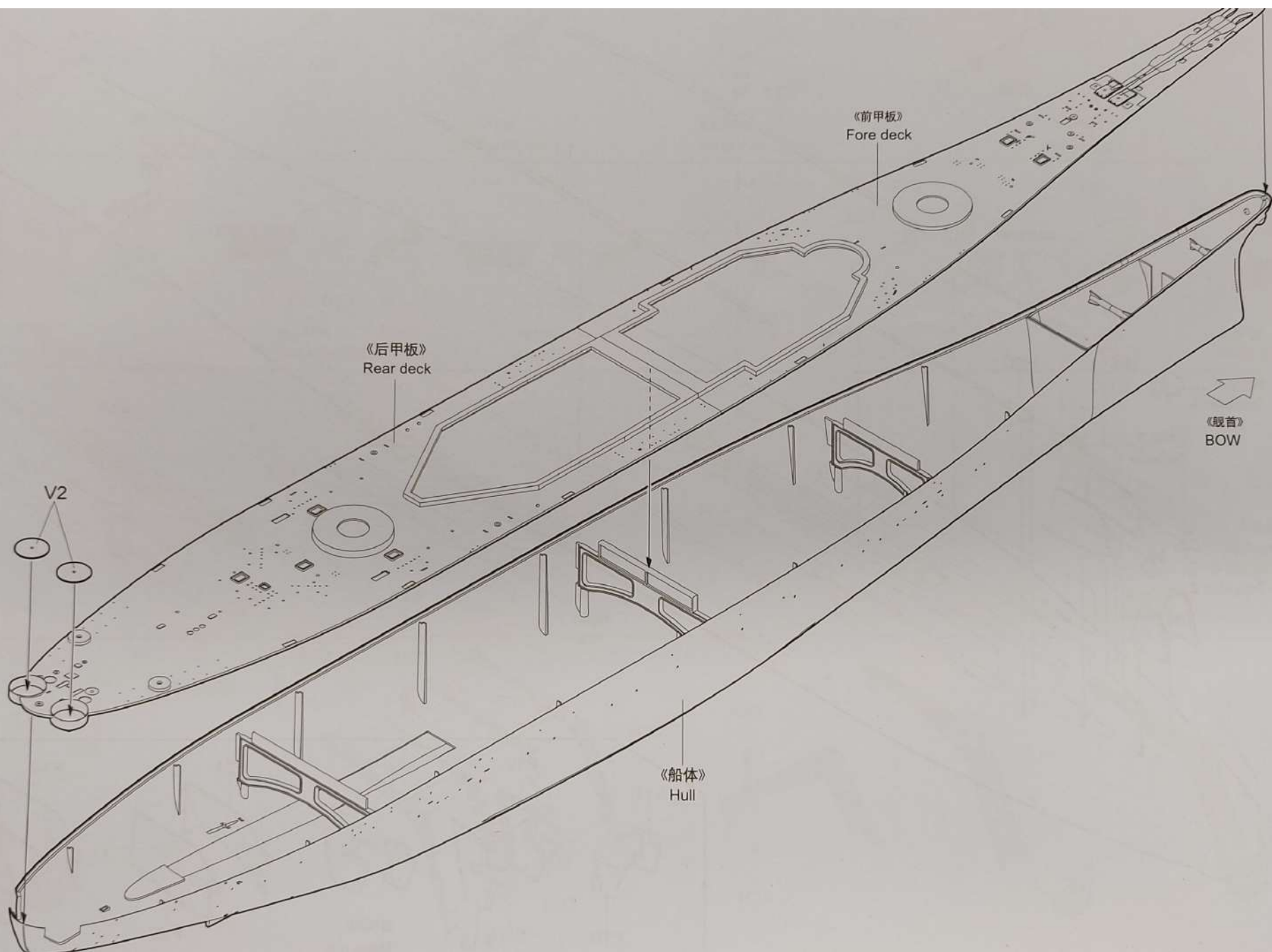
「艏首」
BOW



「船体」
Hull

U4

U3



«前甲板»
Fore deck

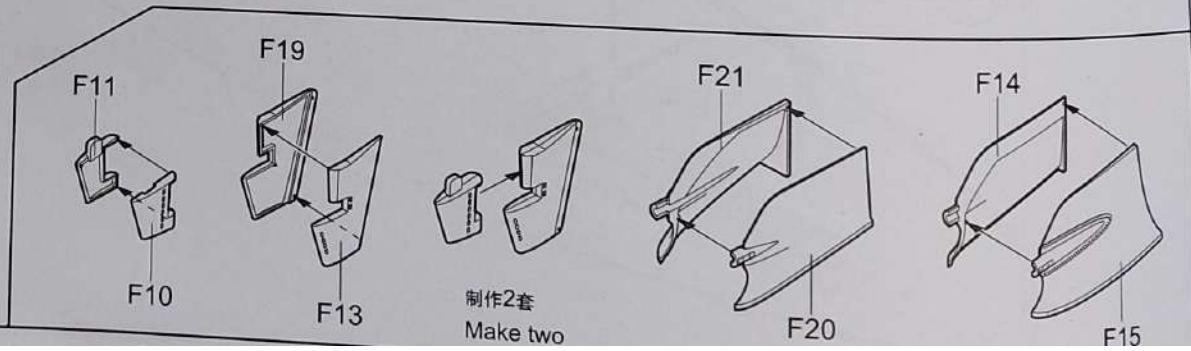
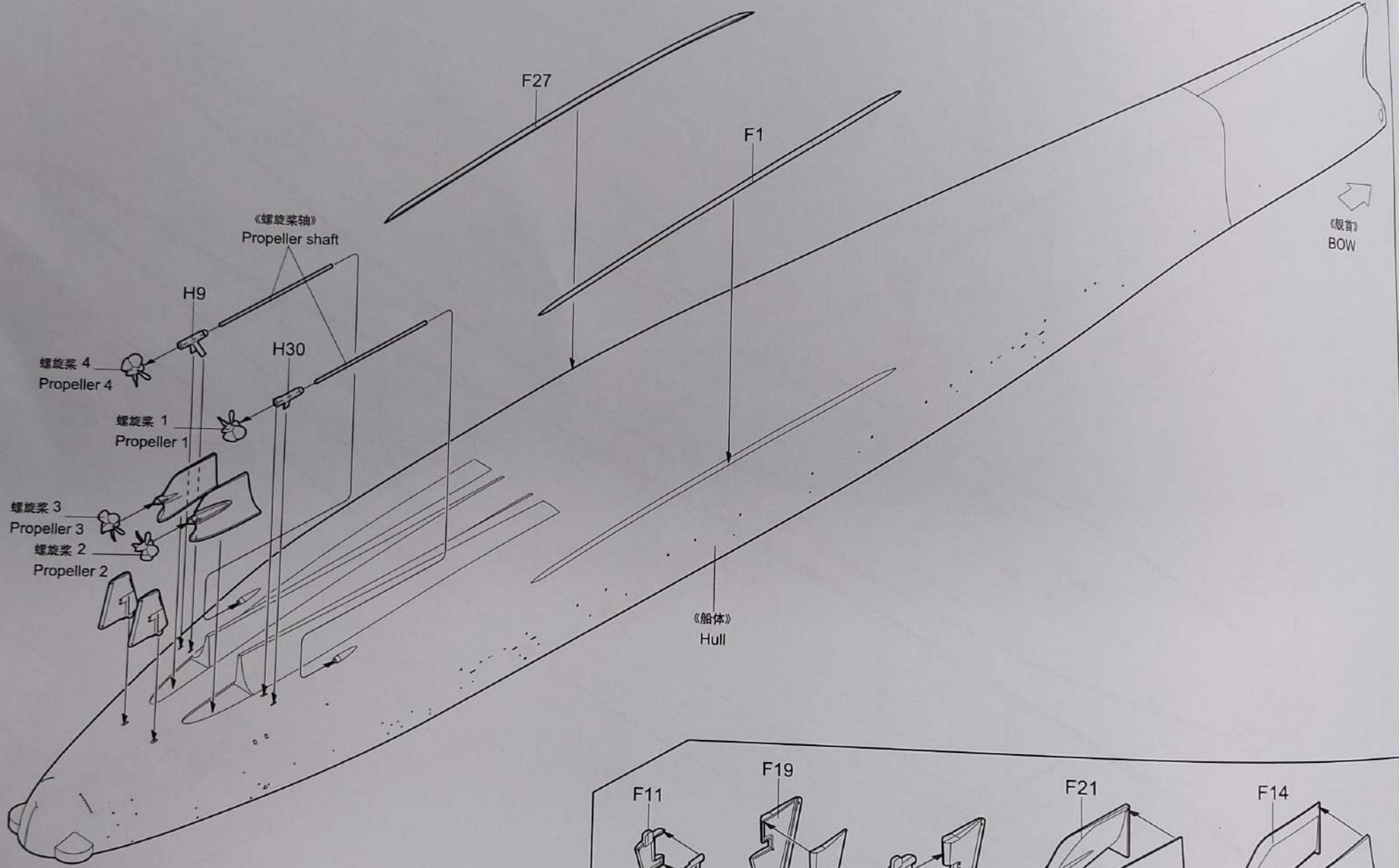
«后甲板»
Rear deck

V2

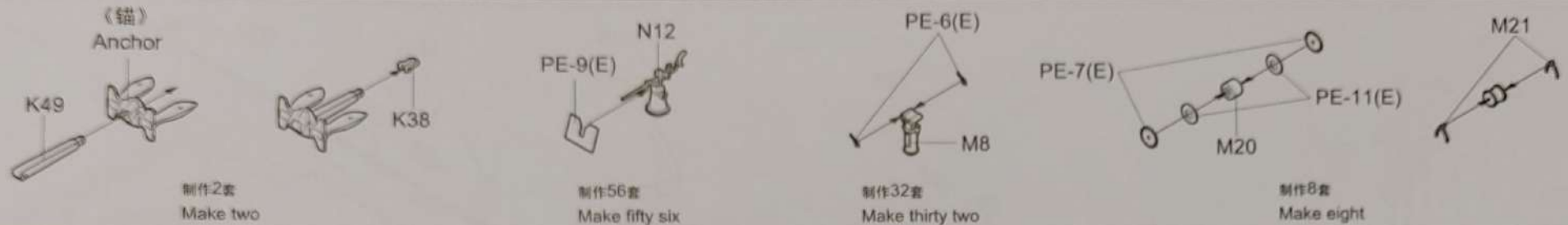
«船体»
Hull

«舰首»
BOW

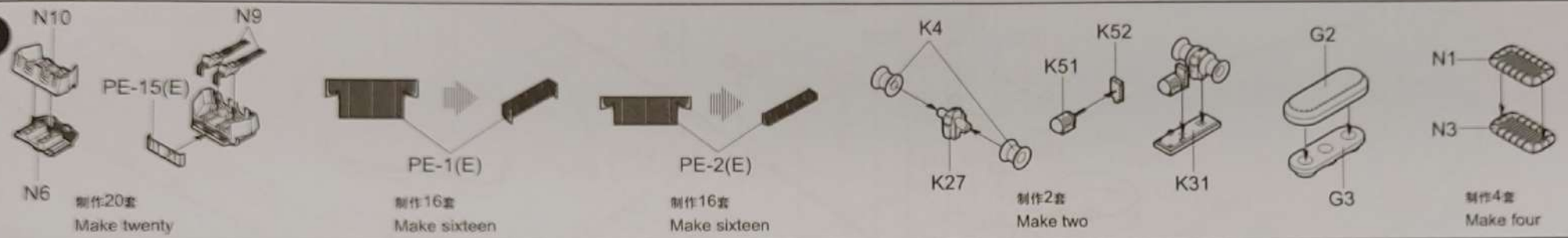
4



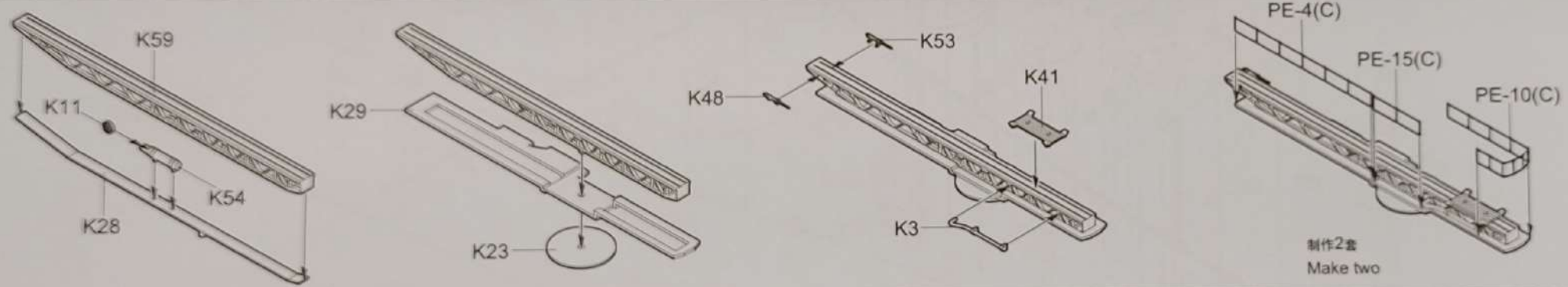
5



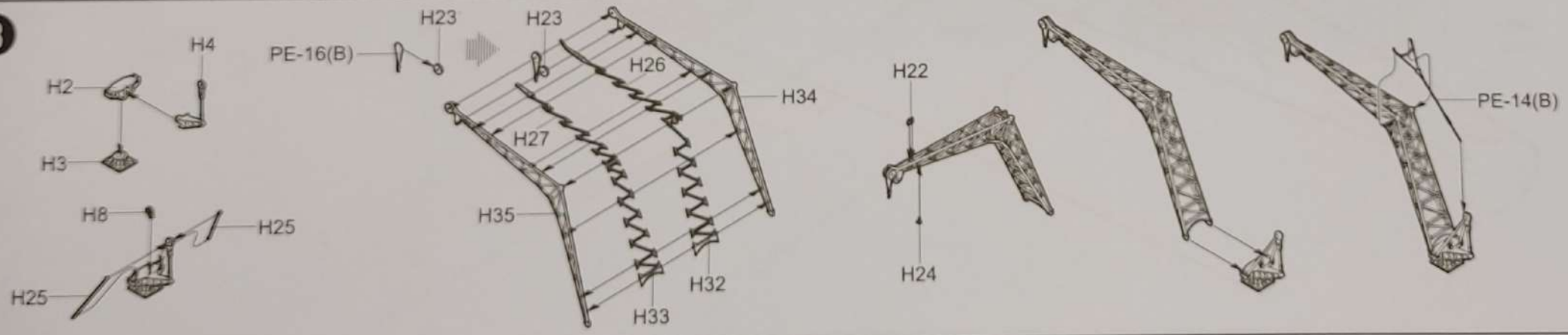
6

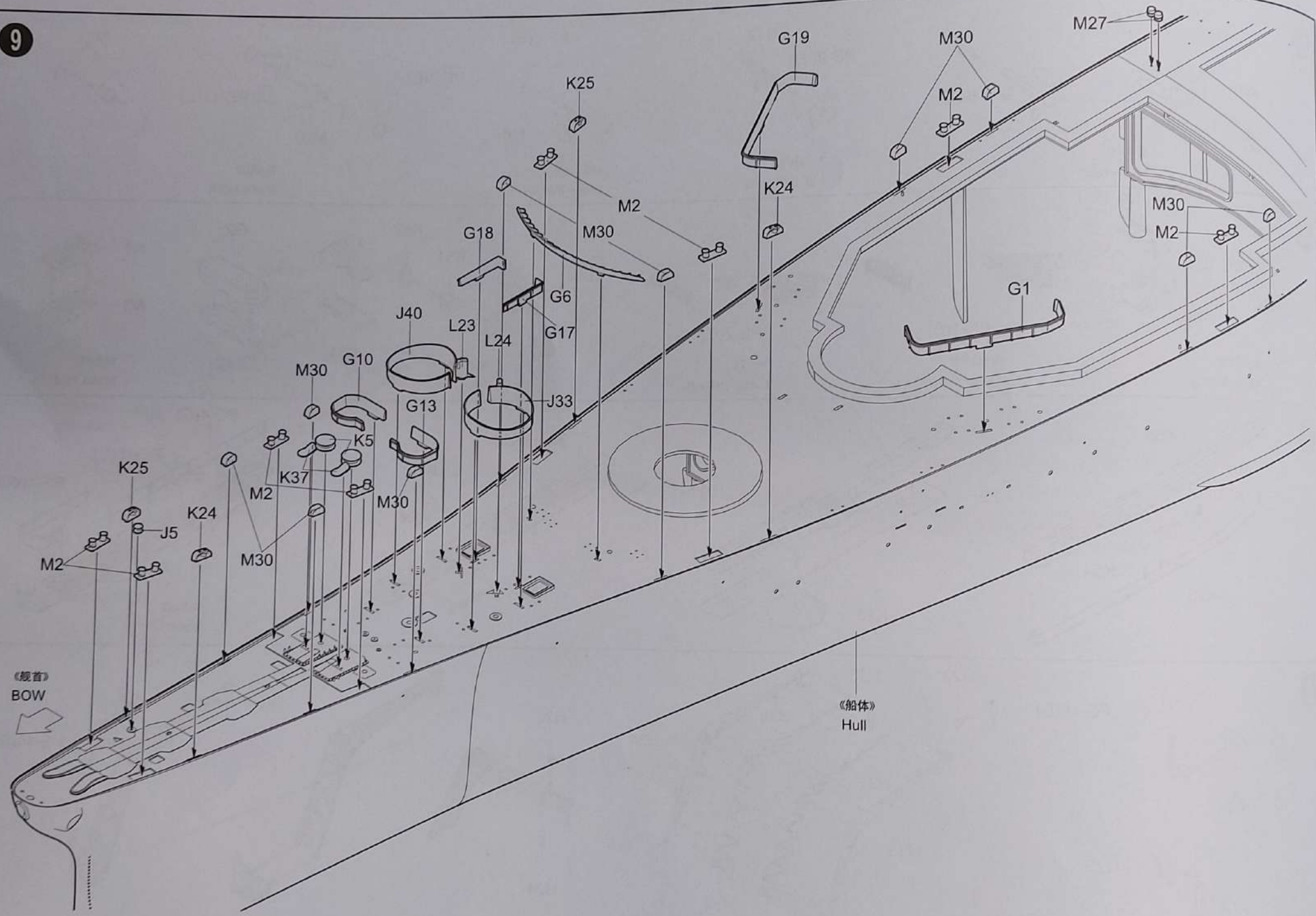


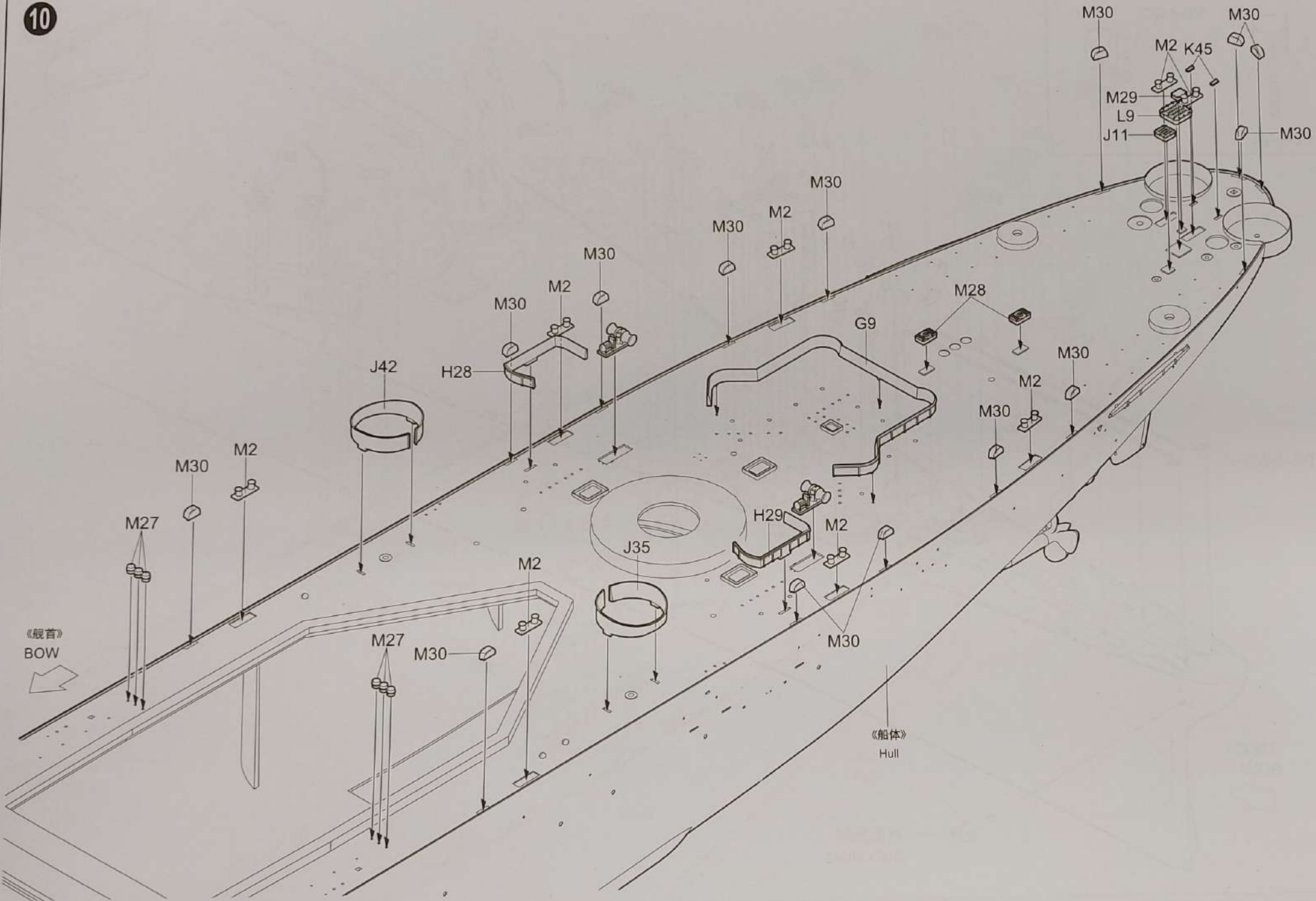
7

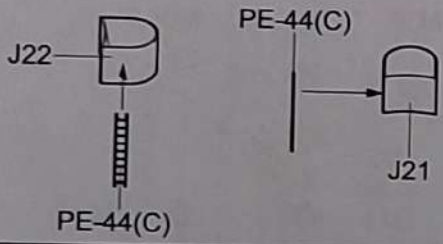


8

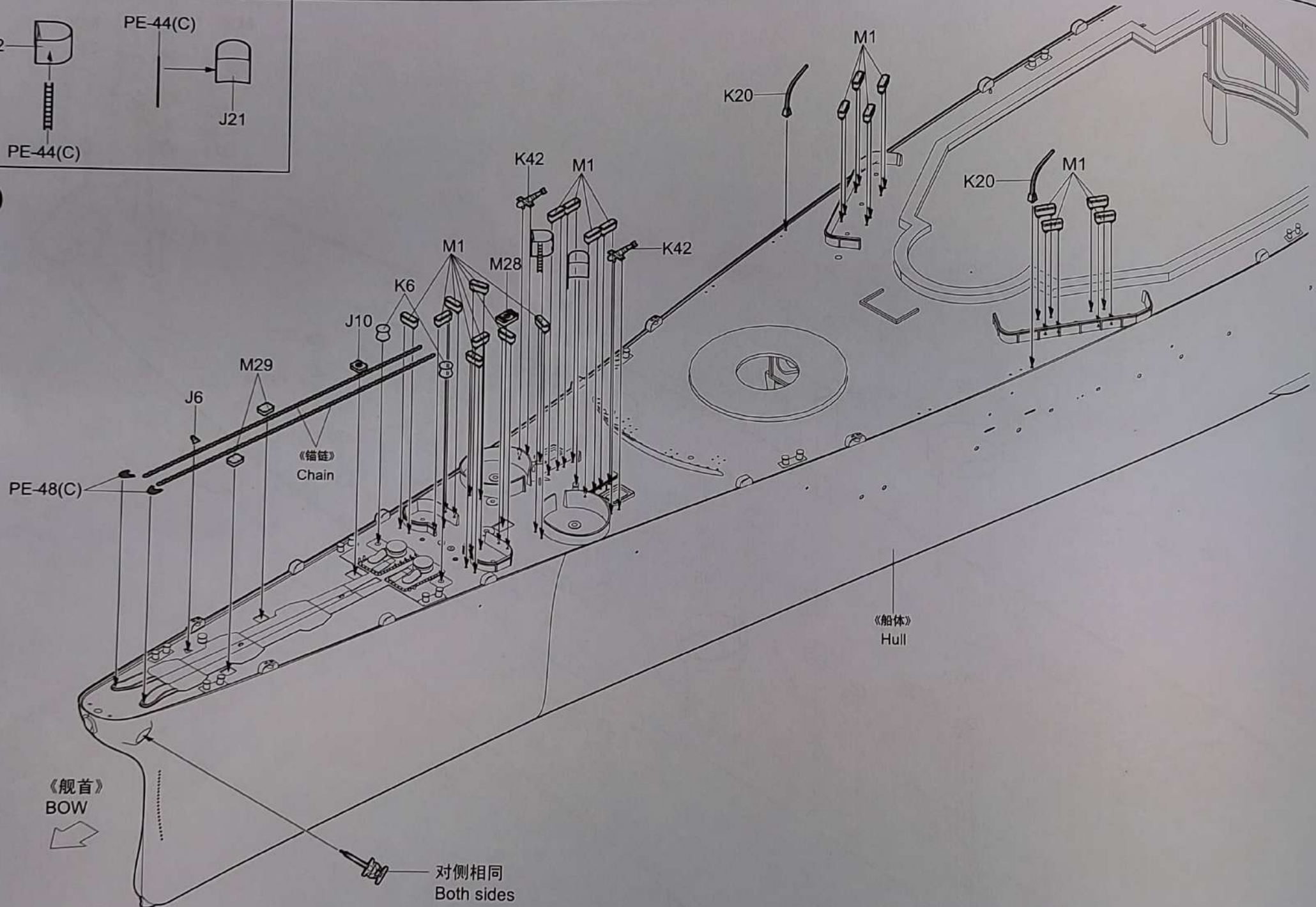


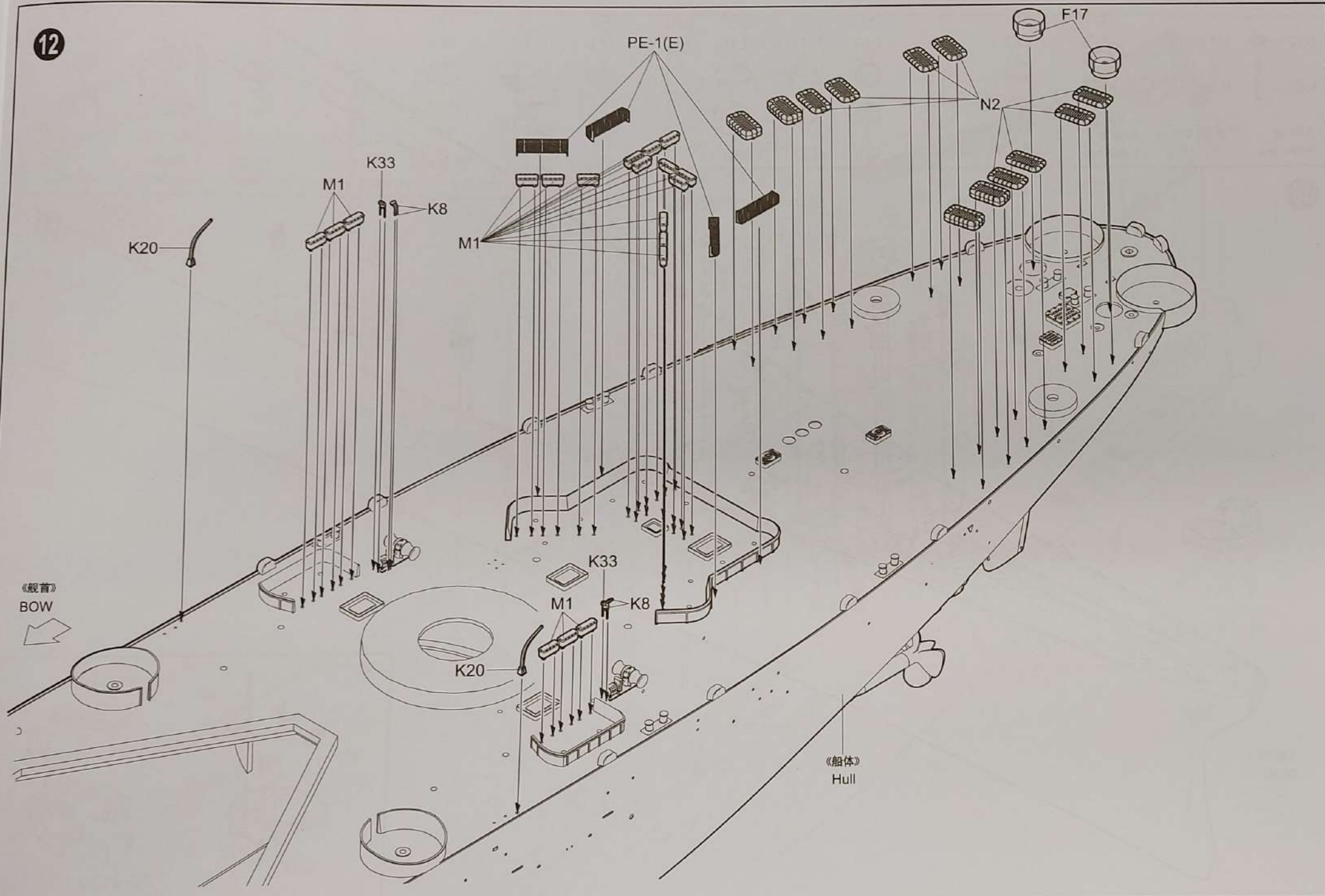






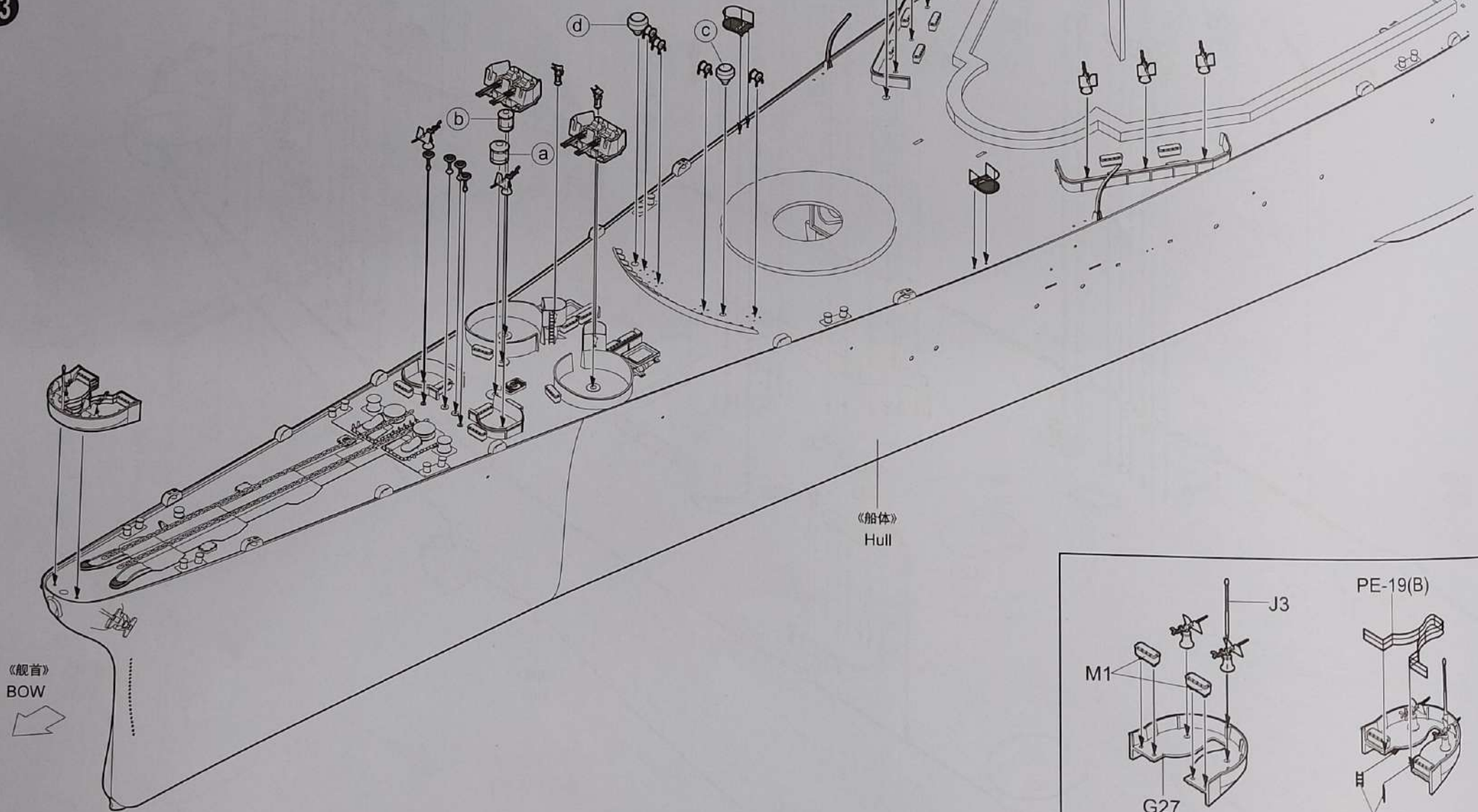
11





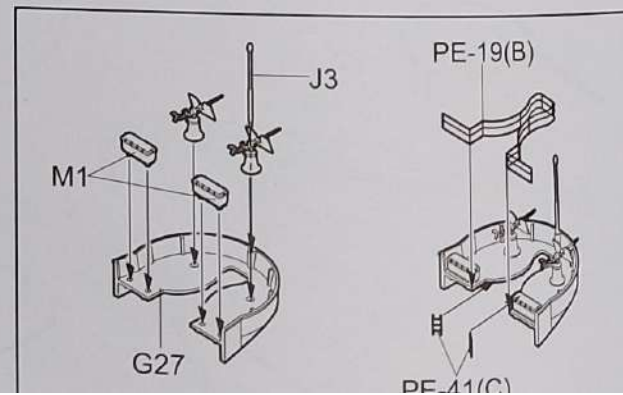
K12	K12	PE-19(C)	(a)	(b)	(c)	(d)	(e)
K46	K47	K36	L22	L21	L10	L11	L18
制作2套 Make two	制作2套 Make two	制作2套 Make two	L55+L67	L60+L72	L26	L27	L58+L70

13



《舰首》
BOW

《船体》
Hull



M1

G27

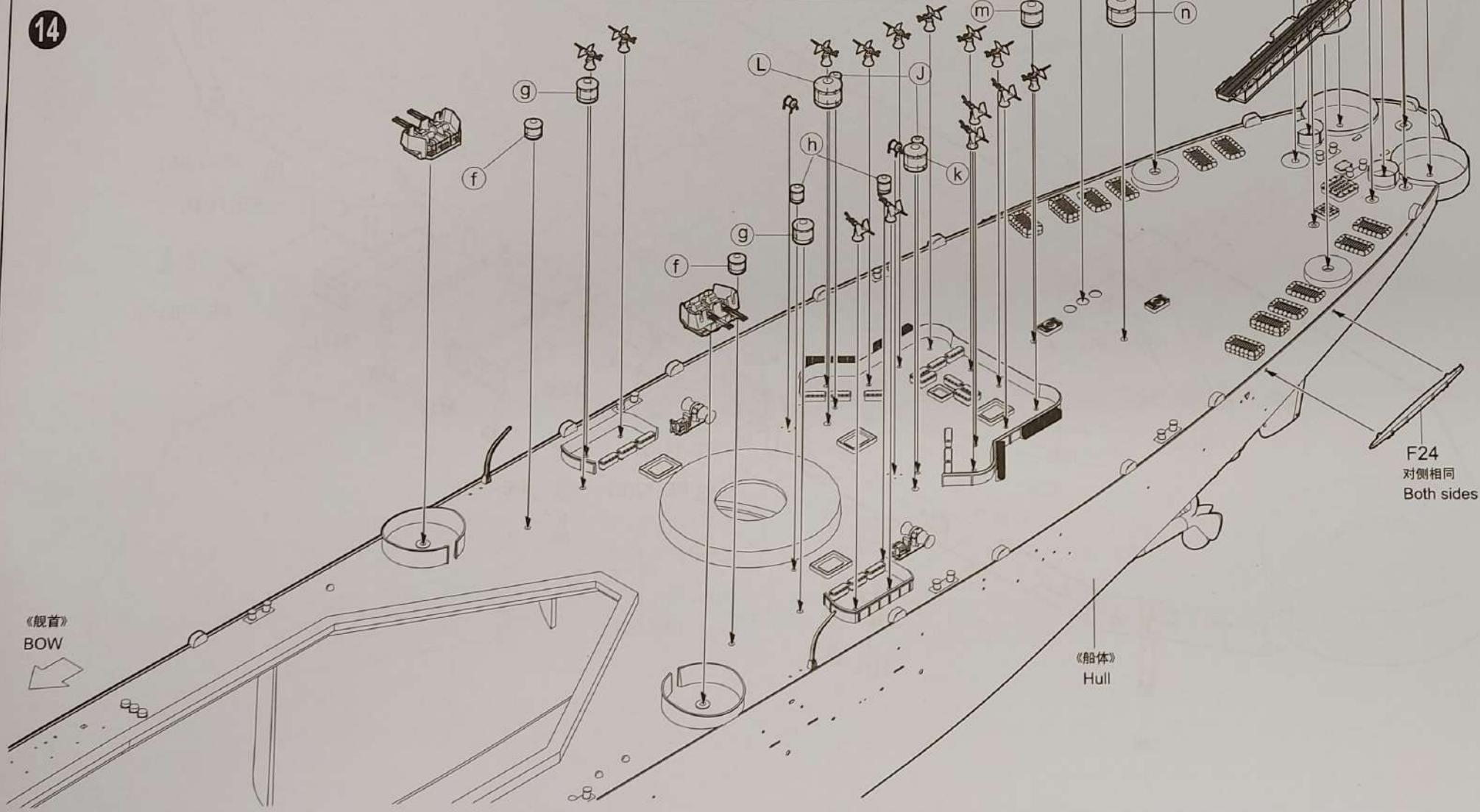
J3

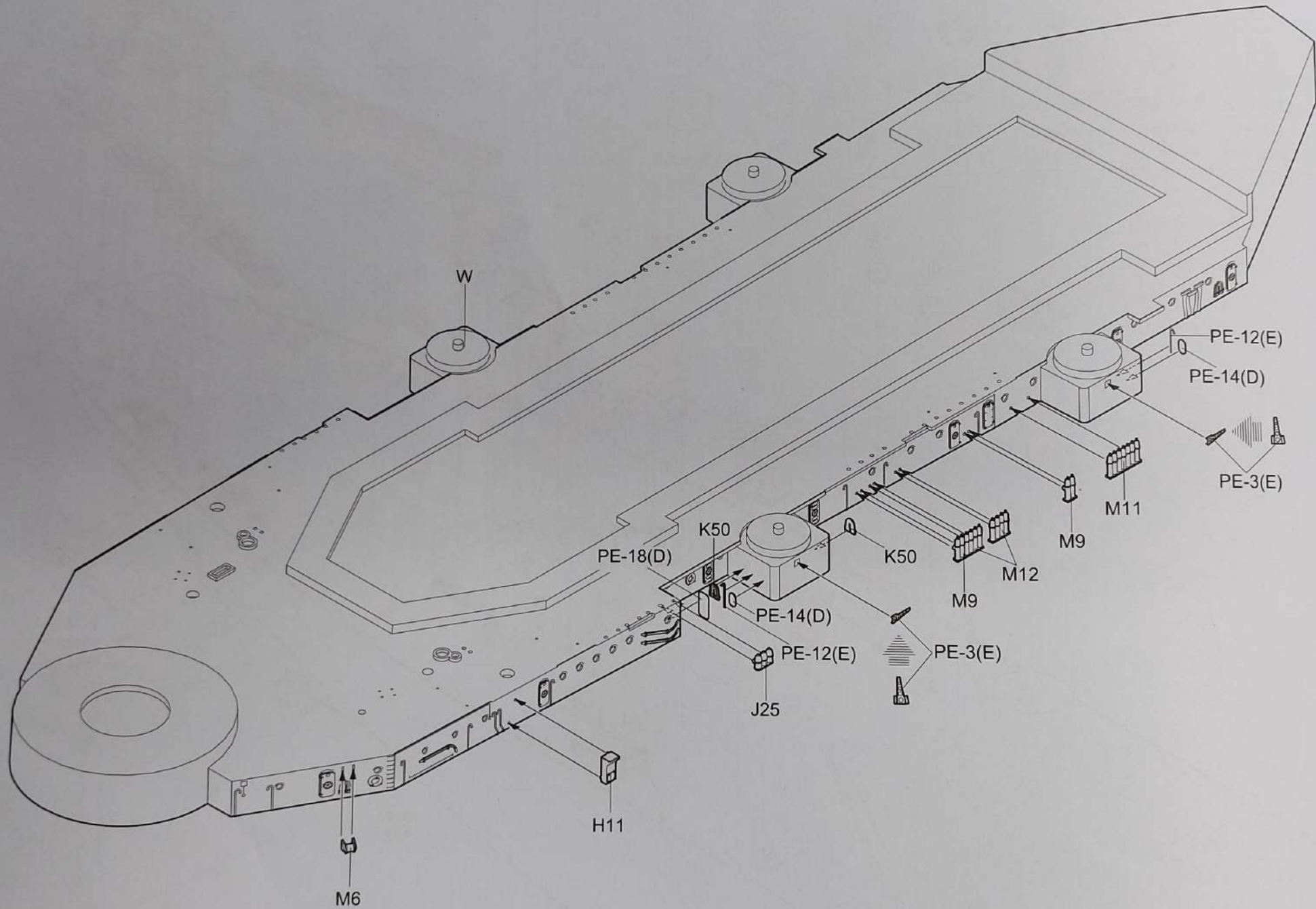
PE-19(B)

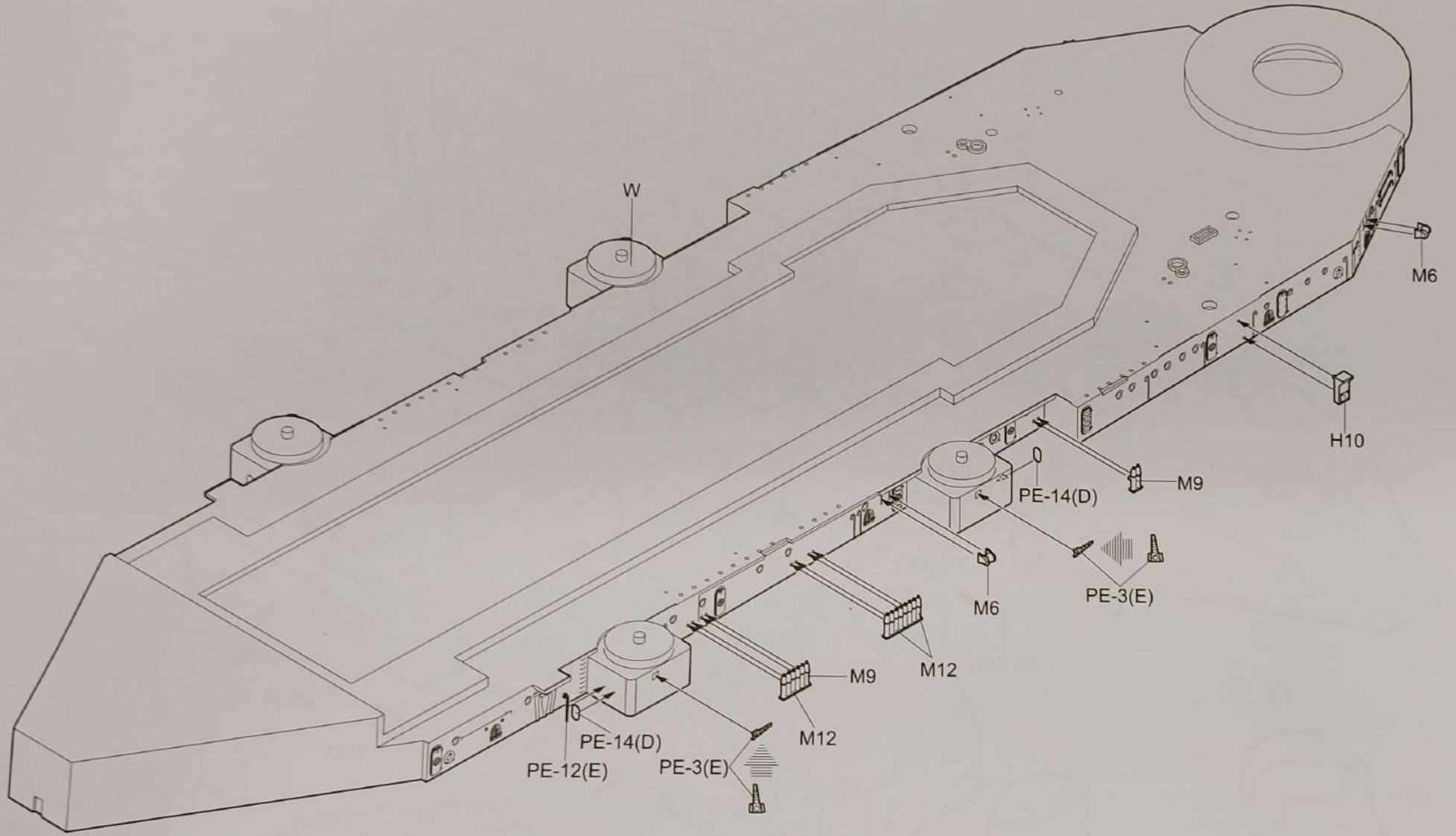
PE-11(C)

- | | | | | | | | | |
|------------------|------------------|-------------------|--------------------|------------|-----------|------------|------------|-----------|
| (f)
L6 | (g)
L2 | (h)
L5 | (J)
L20 | (k)
L16 | (L)
L3 | (m)
L17 | (n)
L19 | (p)
L4 |
| L61+L73 | L50+L62 | L51+L63 | L52+L64 | L56+L68 | L53+L65 | L59+L71 | L54+L66 | L57+L69 |
| 制作2套
Make two | 制作2套
Make two | 制作4套
Make four | 制作3套
Make three | | | | | |

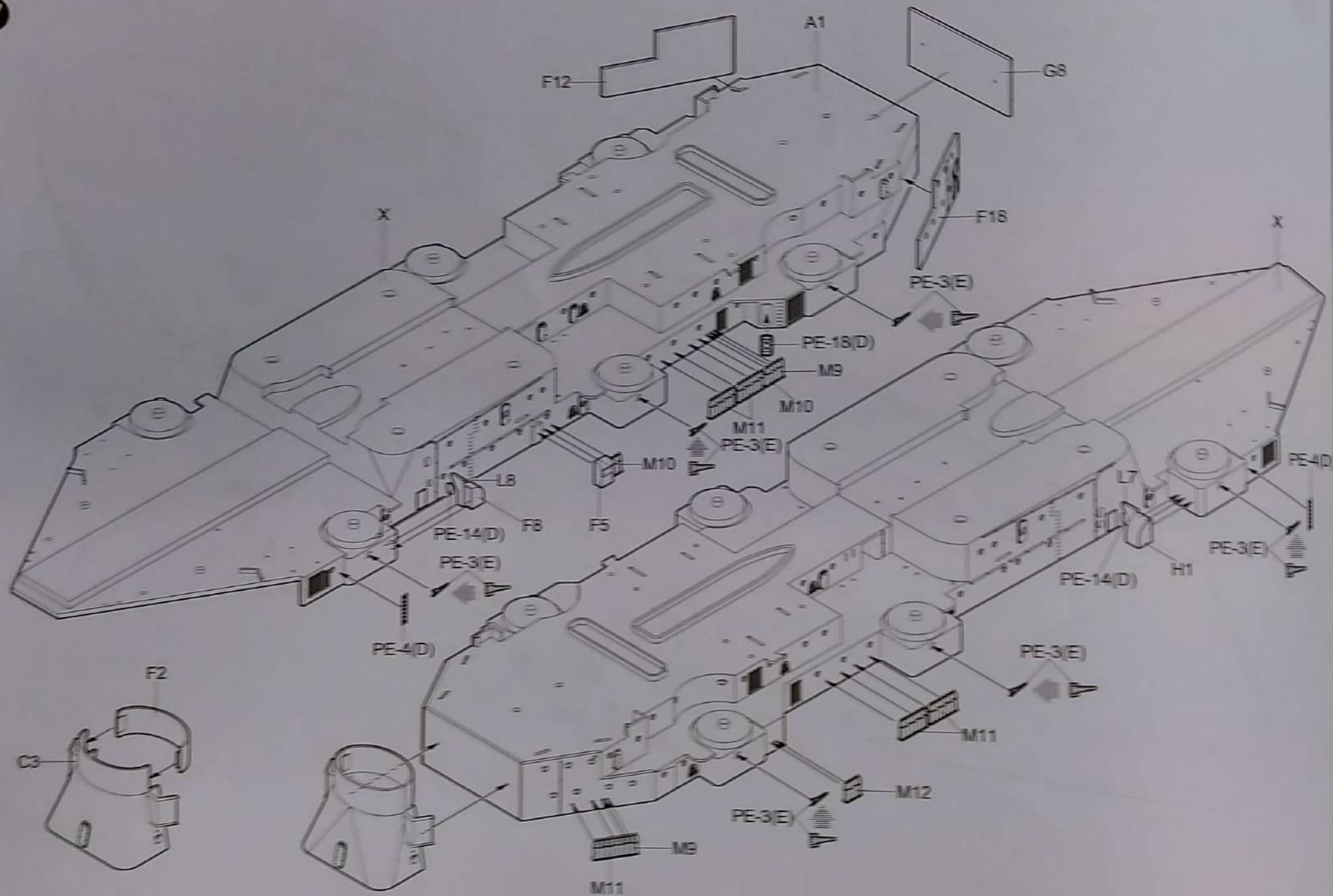
14

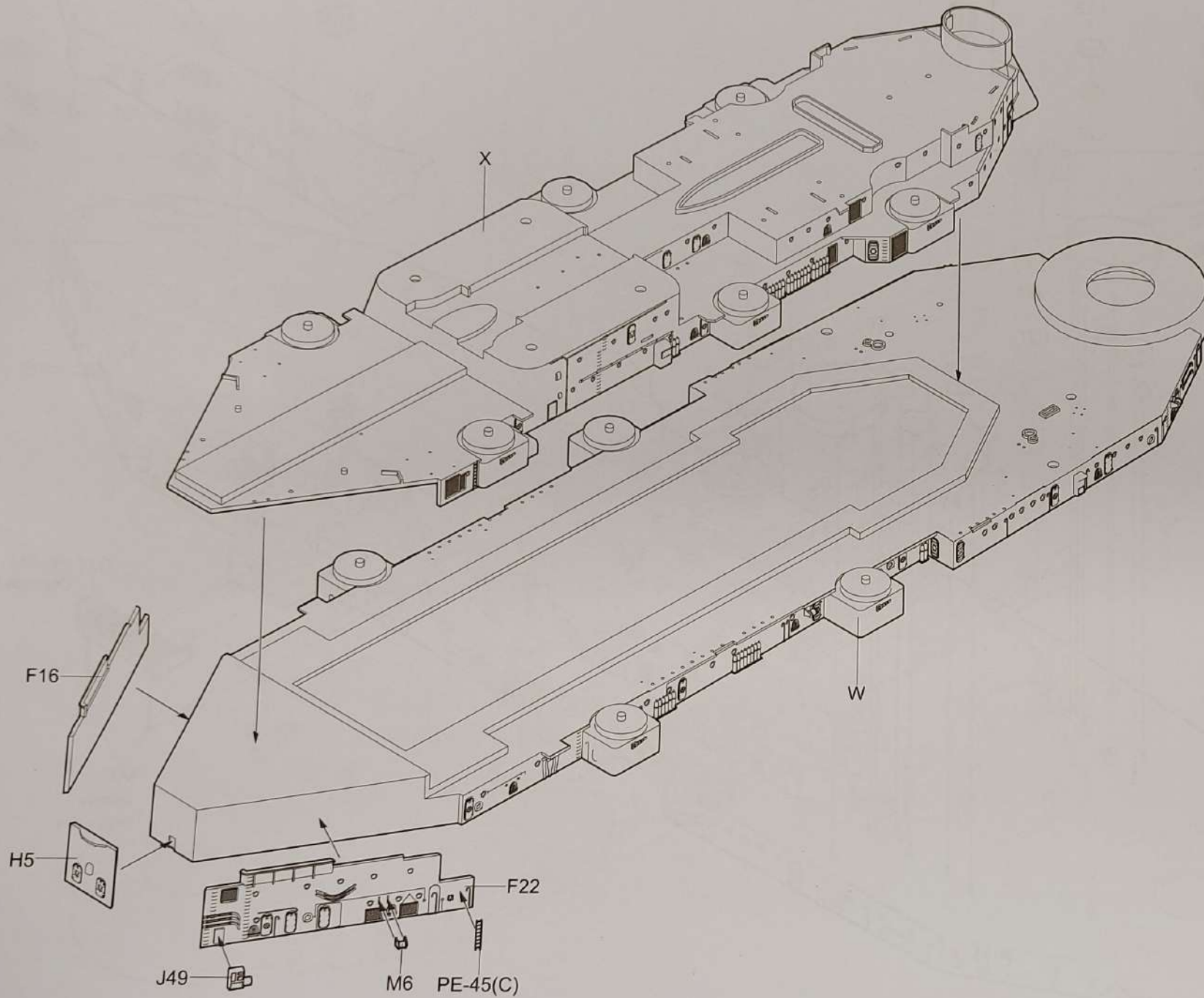






17





L14



L30

L13



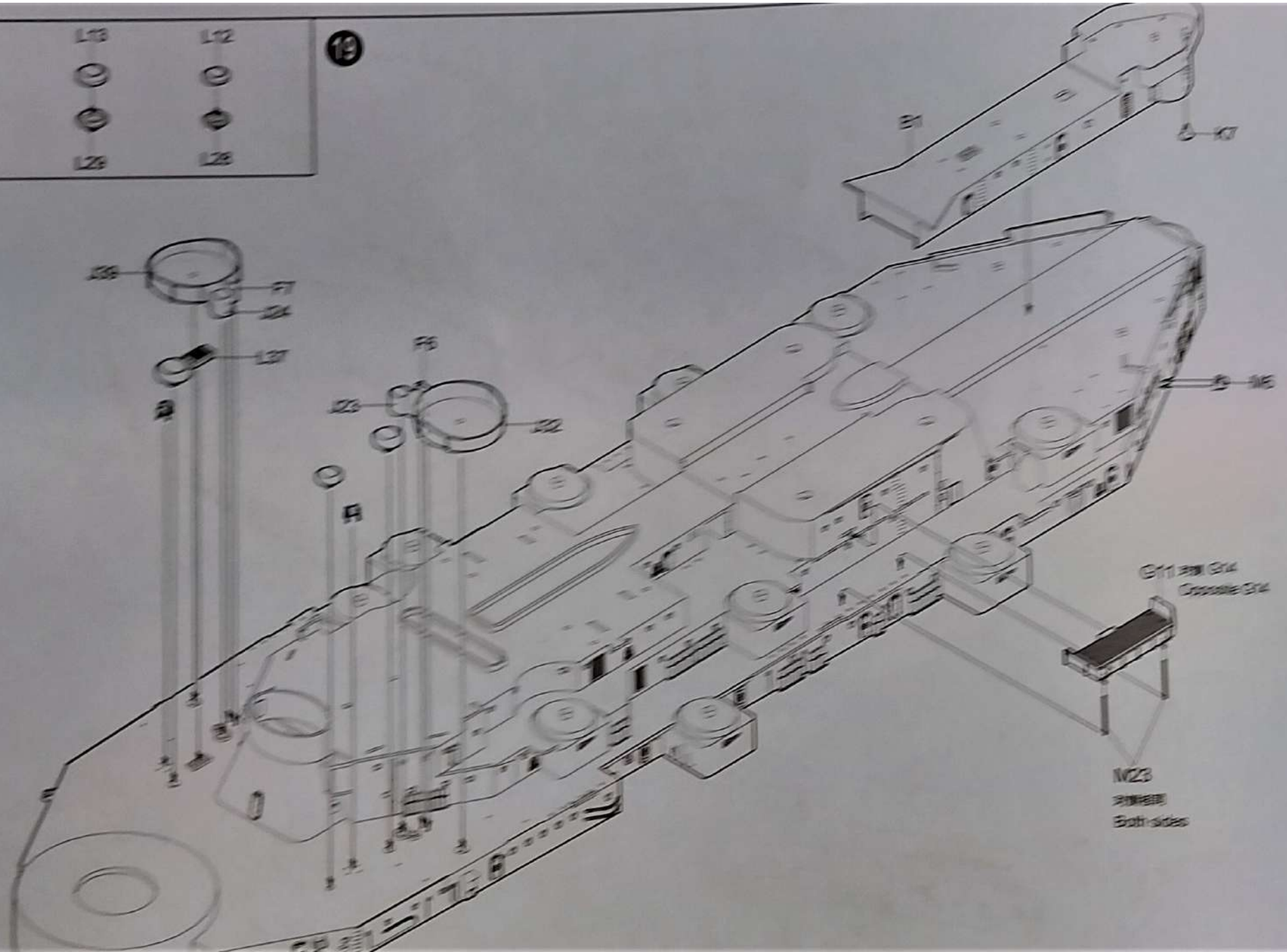
L29

L12

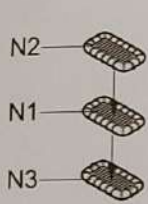


L28

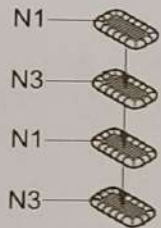
19



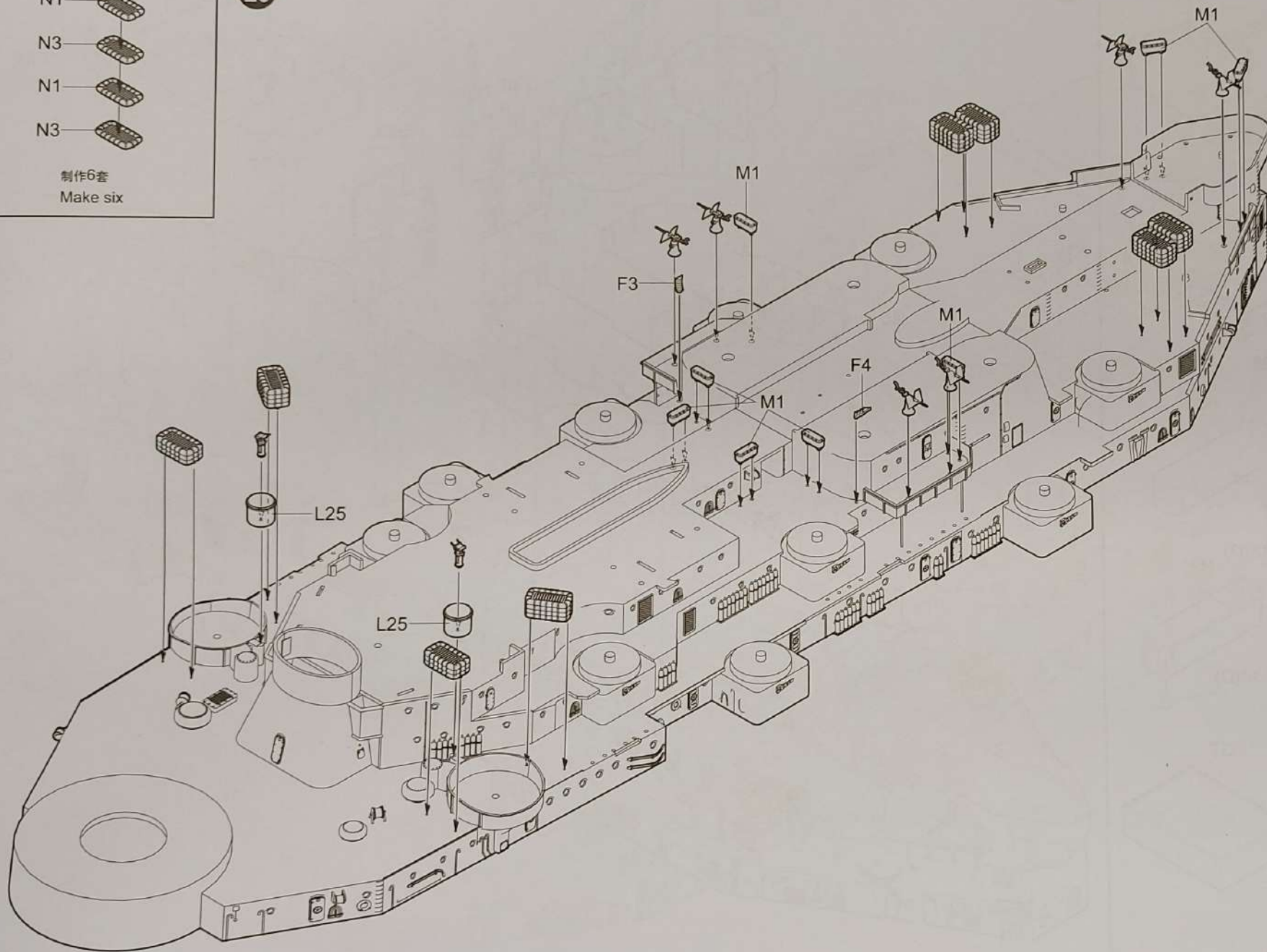
20



制作2套
Make two



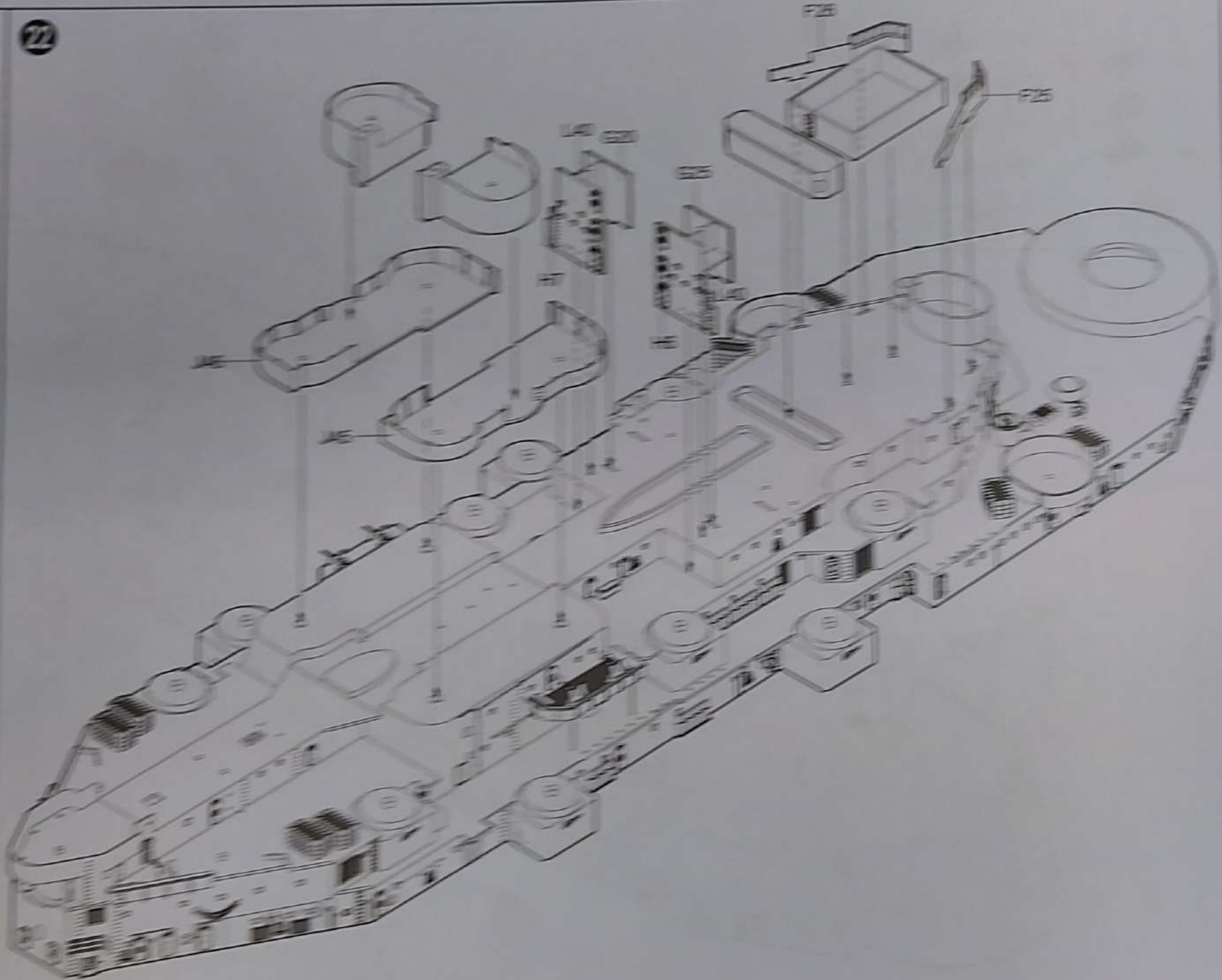
制作6套
Make six



21

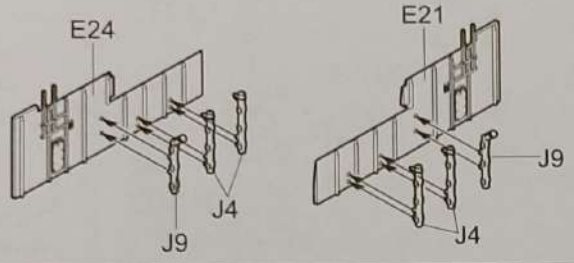
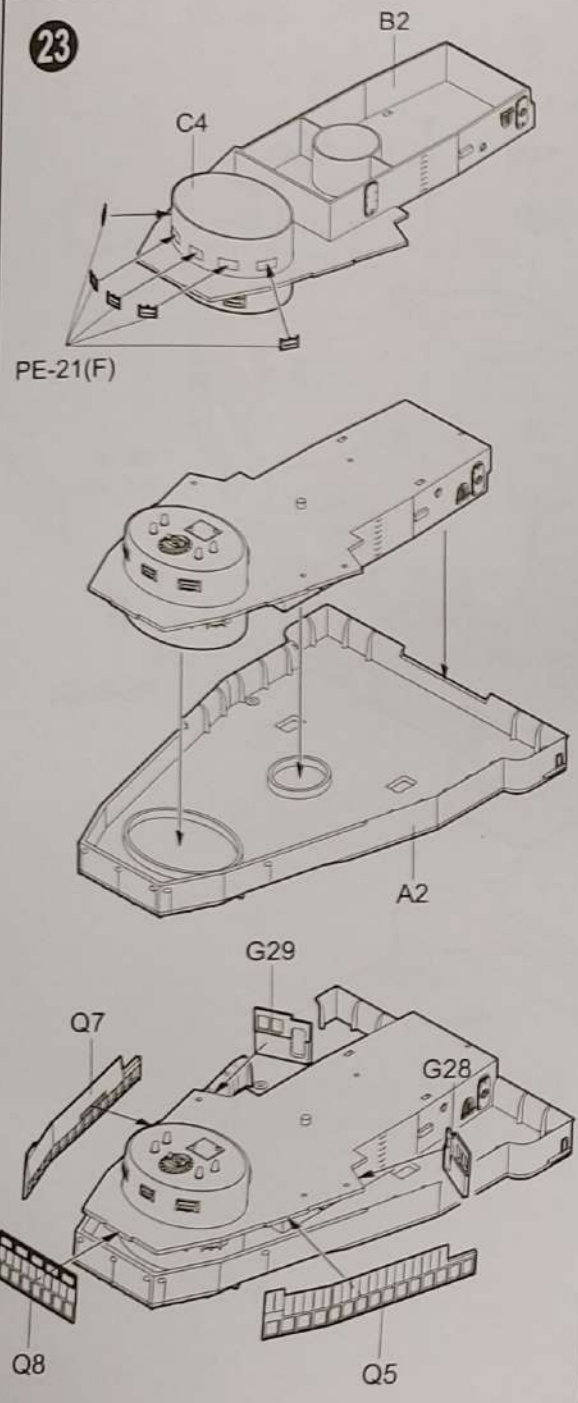


22

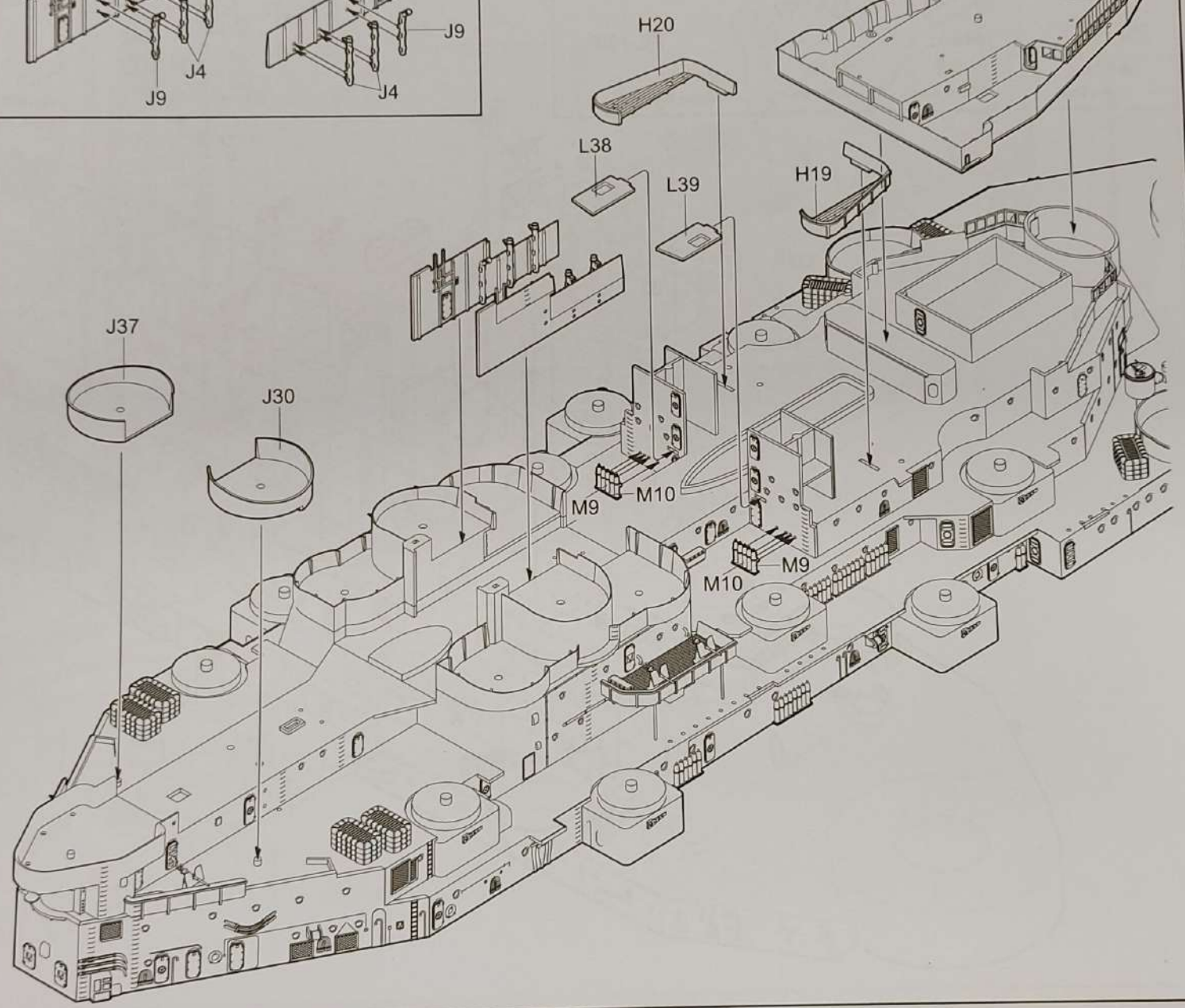


PE-18D

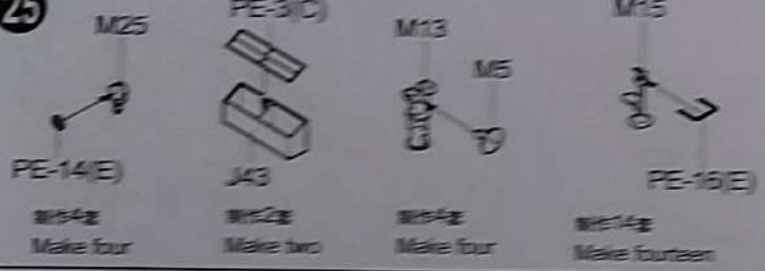
23



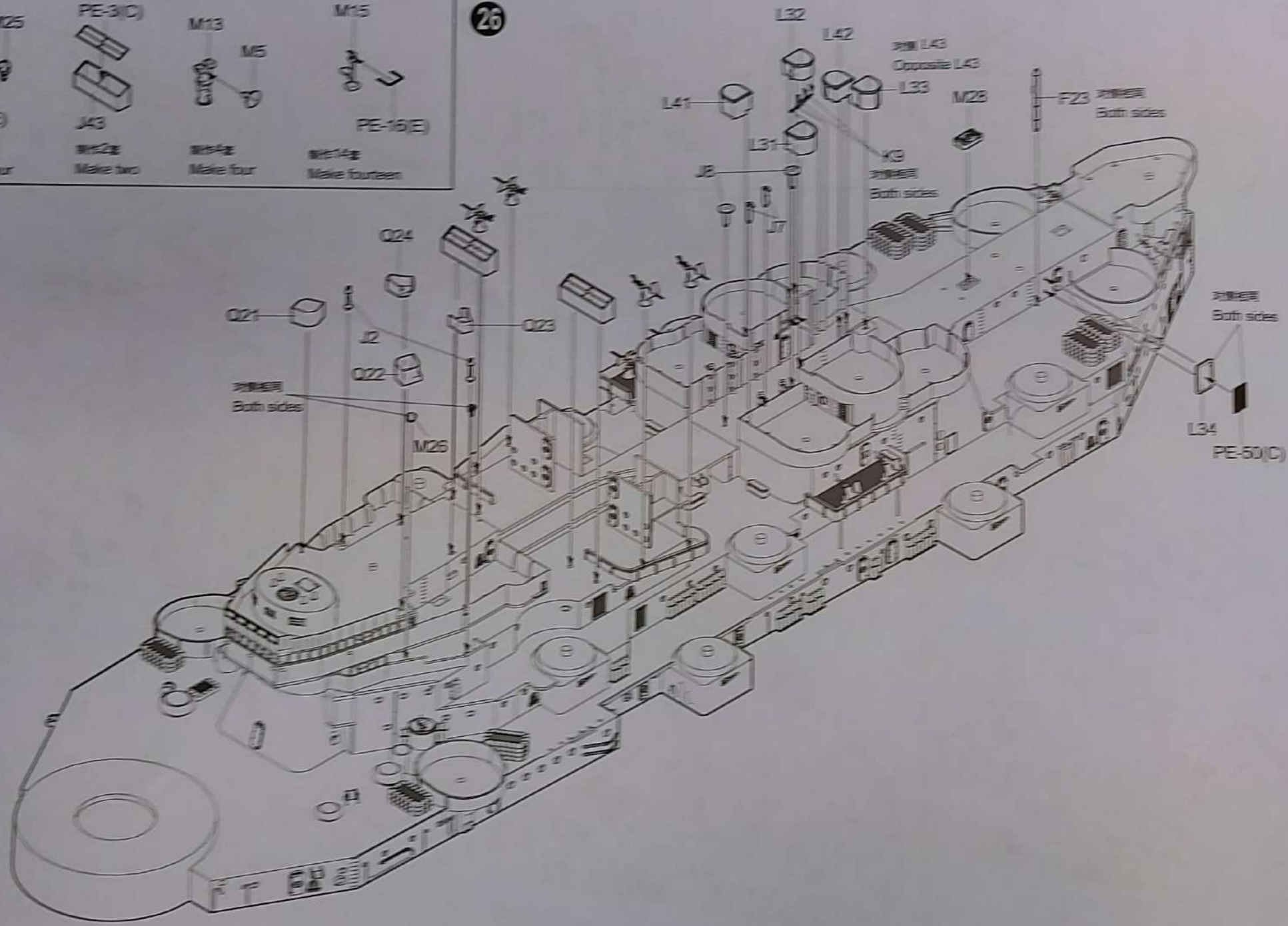
24

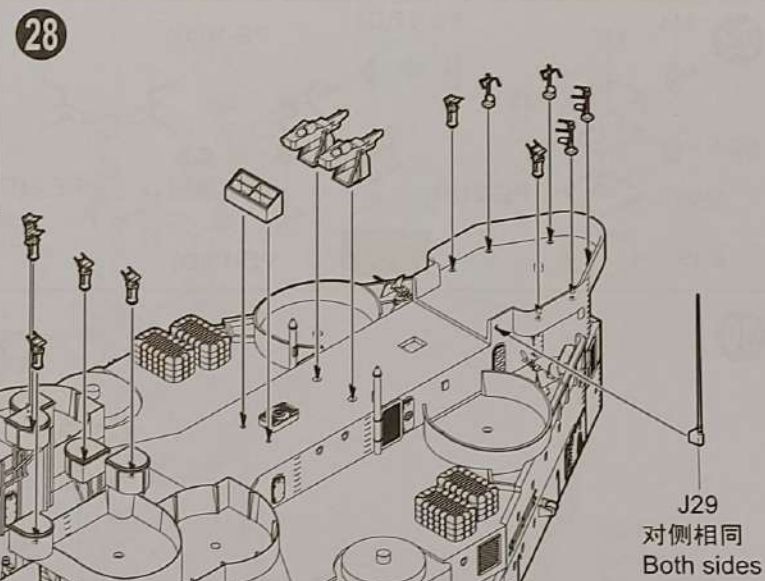
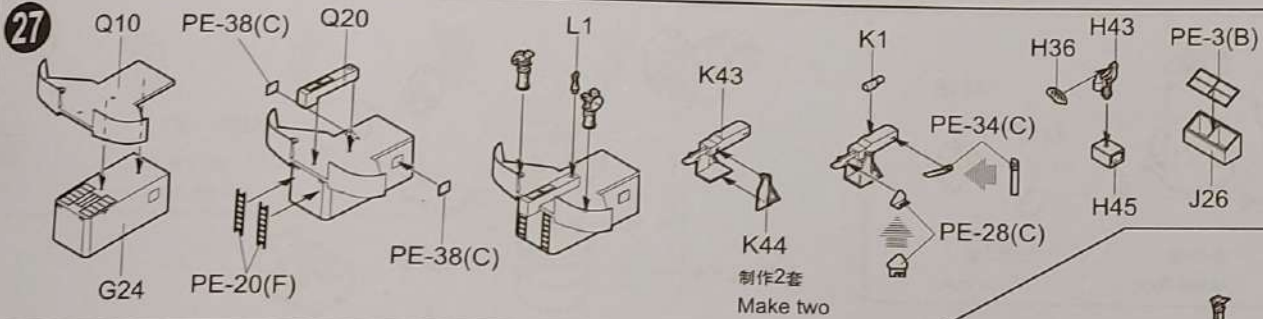


25

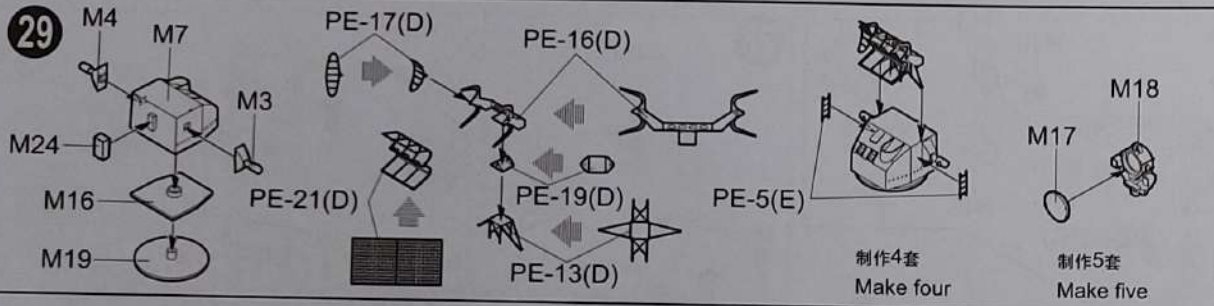


26

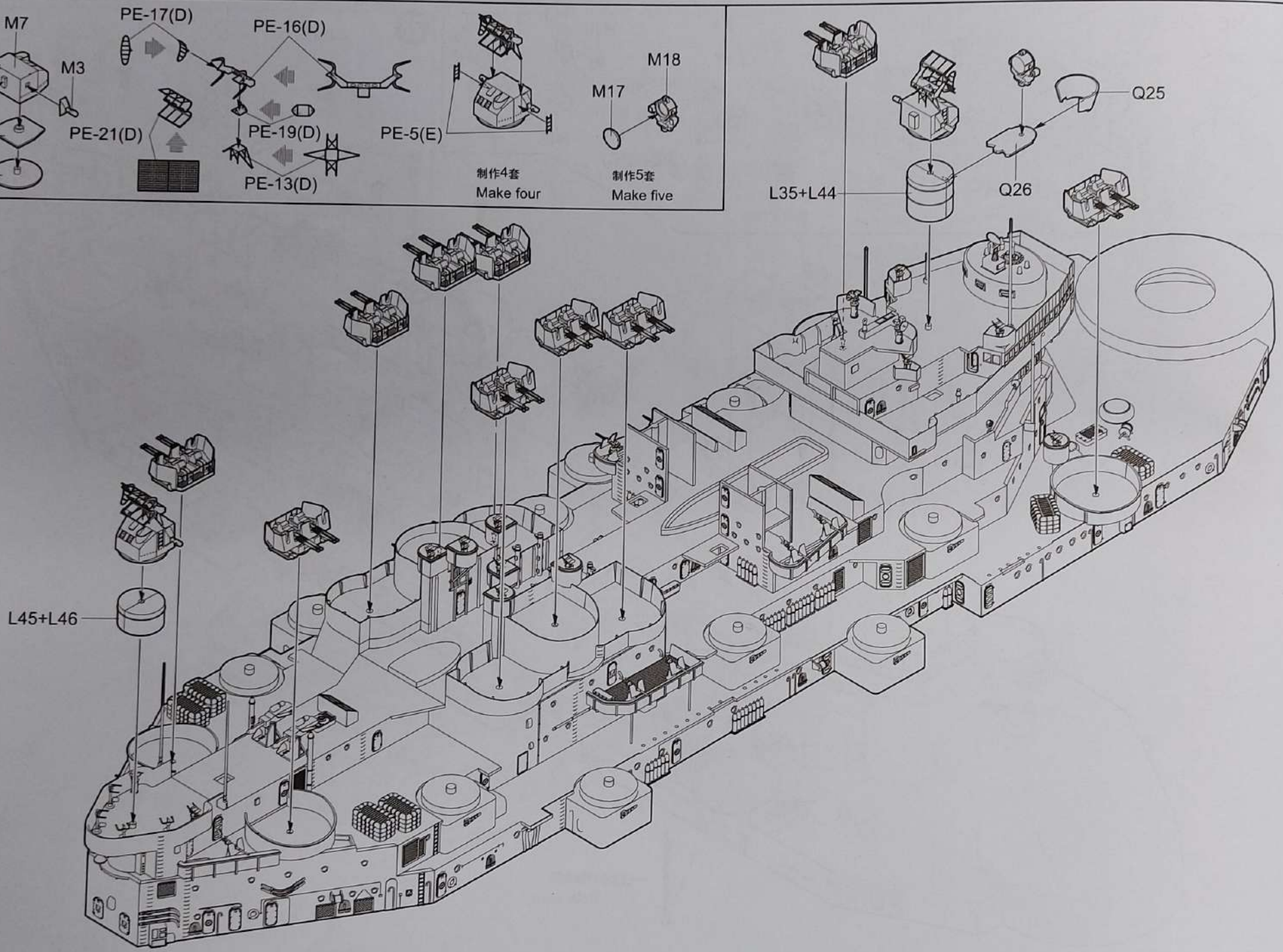




29



30





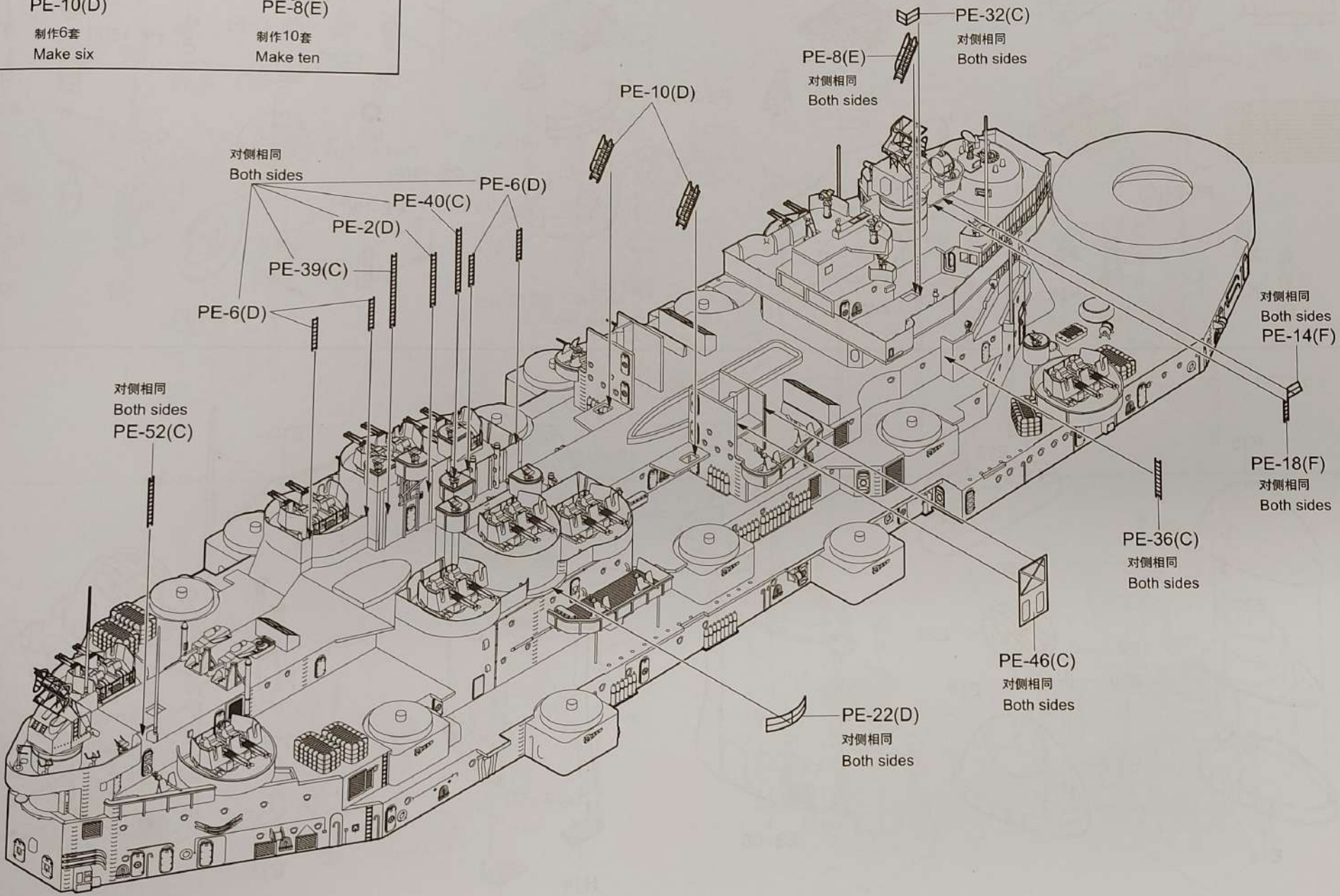
PE-10(D)

制作6套
Make six



PE-8(E)

制作10套
Make ten



对侧相同
Both sides

PE-40(C)
PE-2(D)
PE-39(C)
PE-6(D)

对侧相同
Both sides
PE-52(C)

PE-10(D)

PE-8(E)
对侧相同
Both sides

PE-32(C)
对侧相同
Both sides

对侧相同
Both sides
PE-14(F)

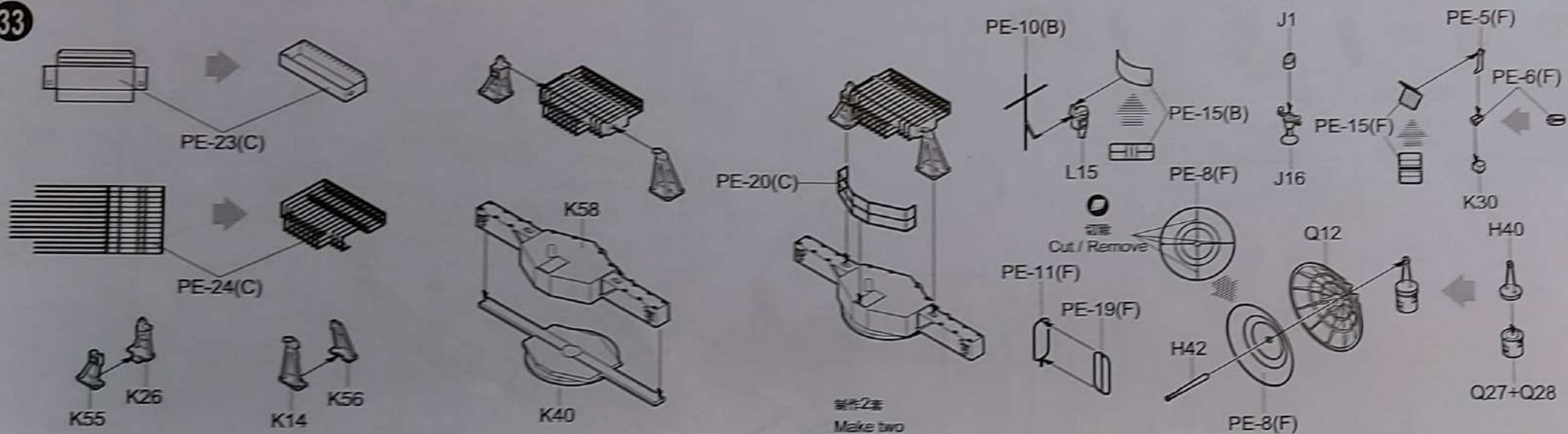
PE-18(F)
对侧相同
Both sides

PE-36(C)
对侧相同
Both sides

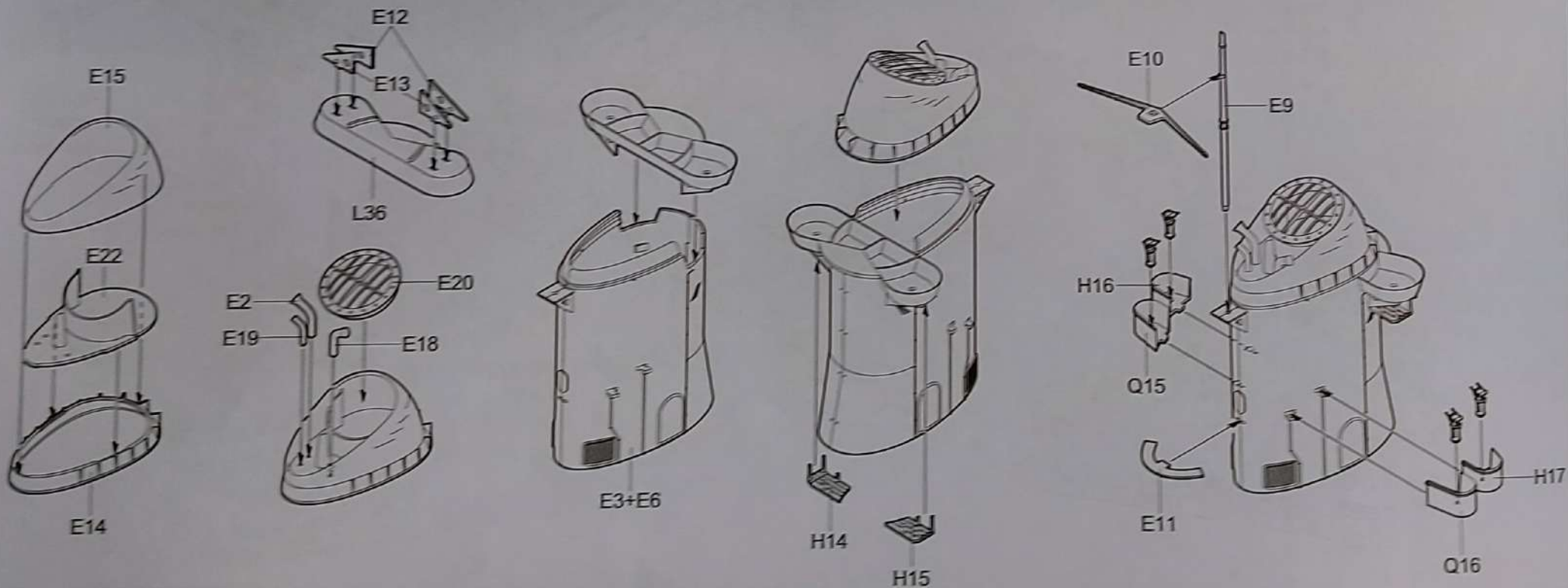
PE-46(C)
对侧相同
Both sides

PE-22(D)
对侧相同
Both sides

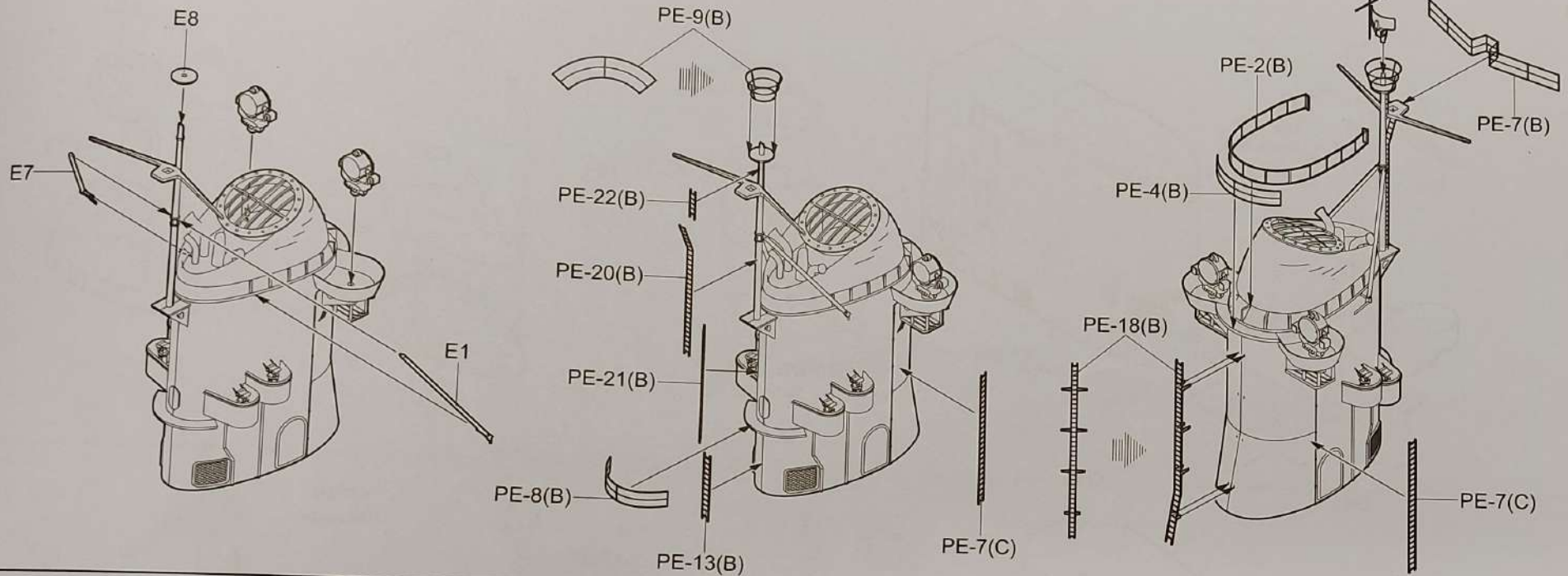
33



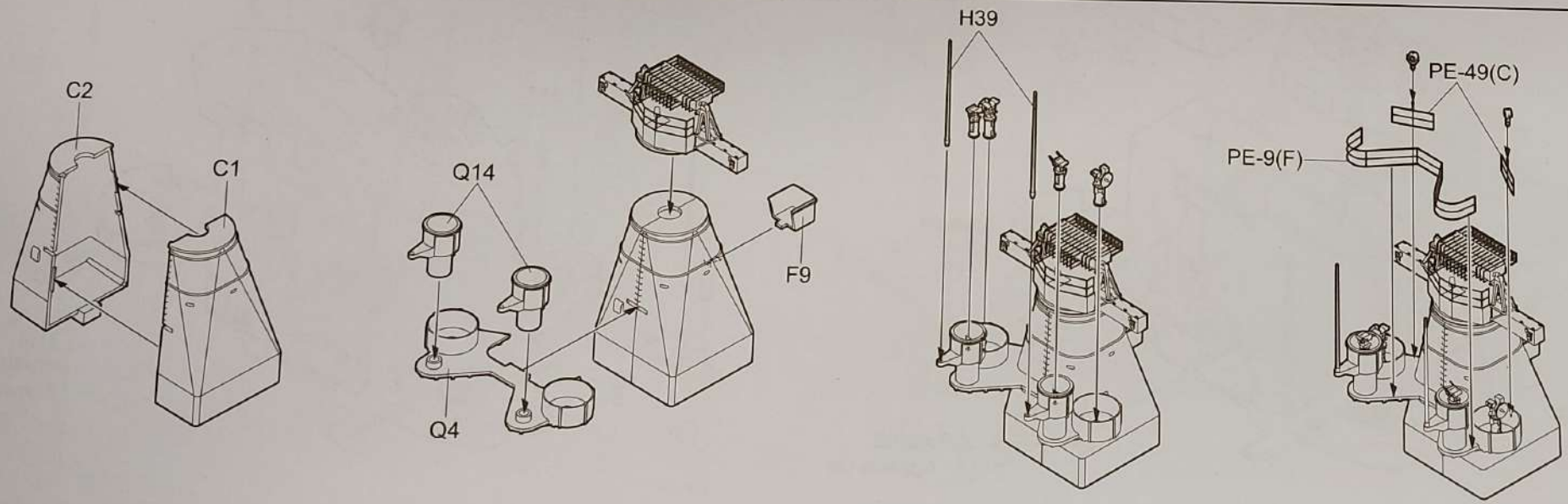
34

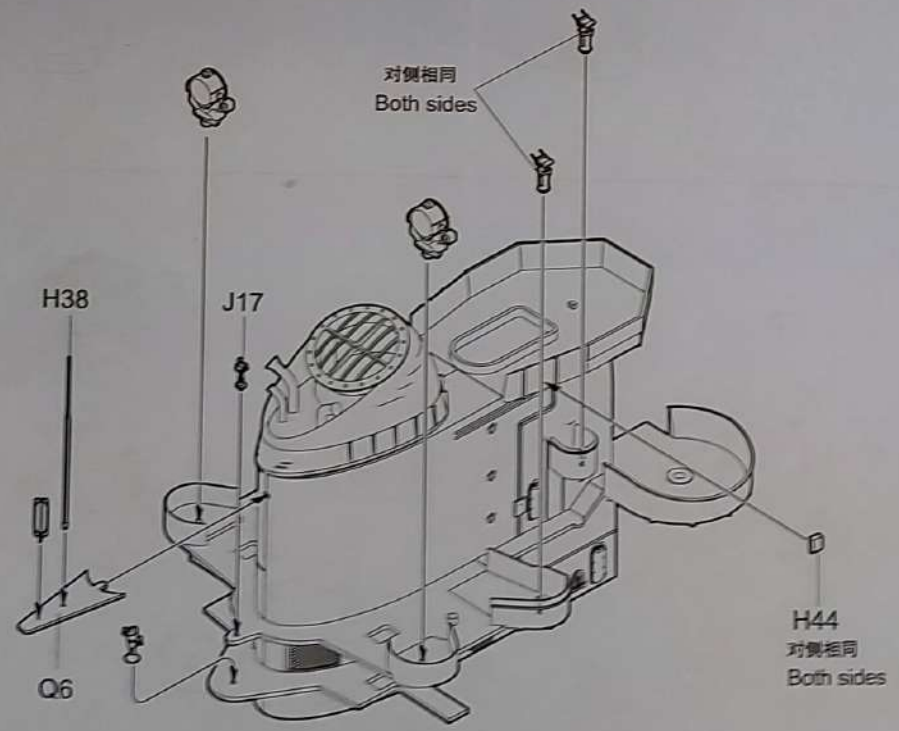
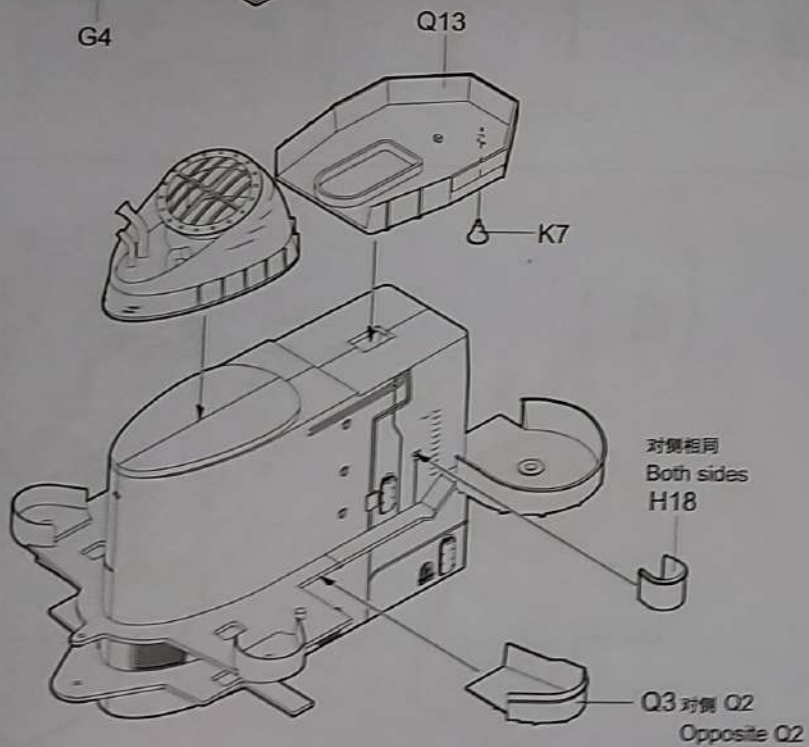
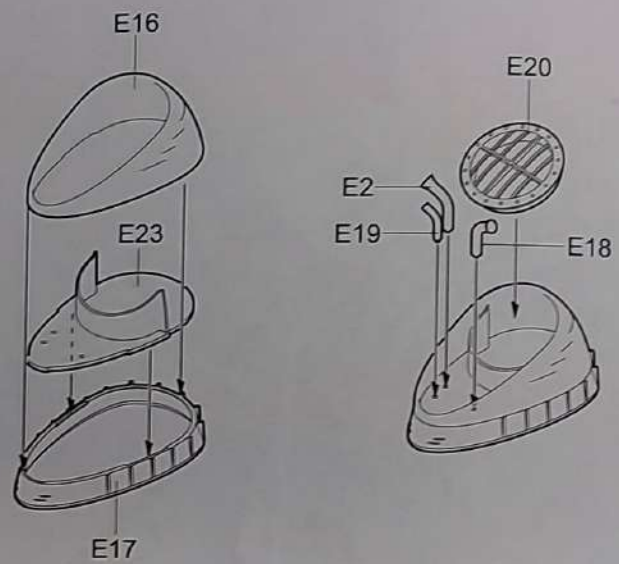
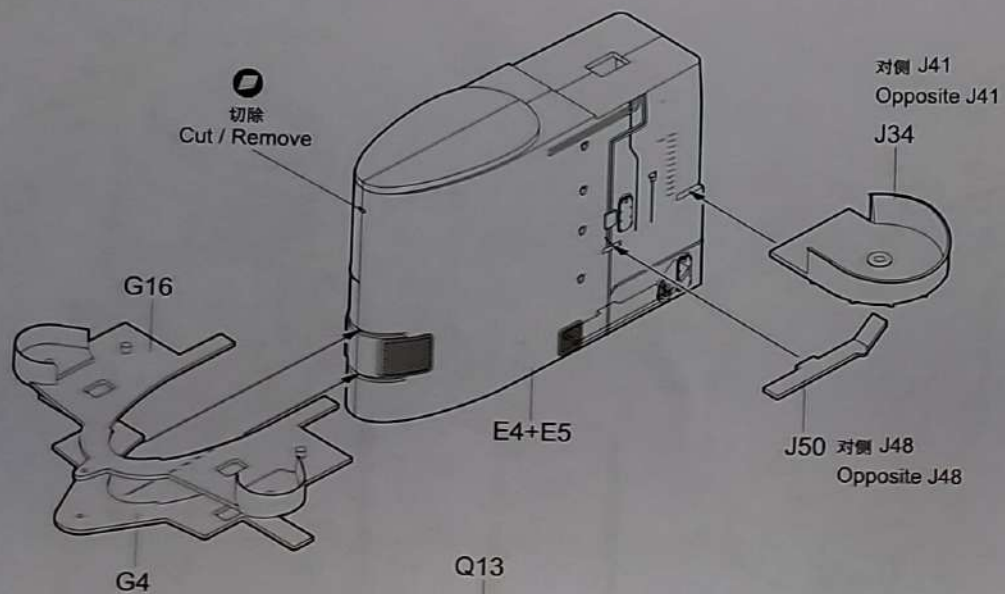


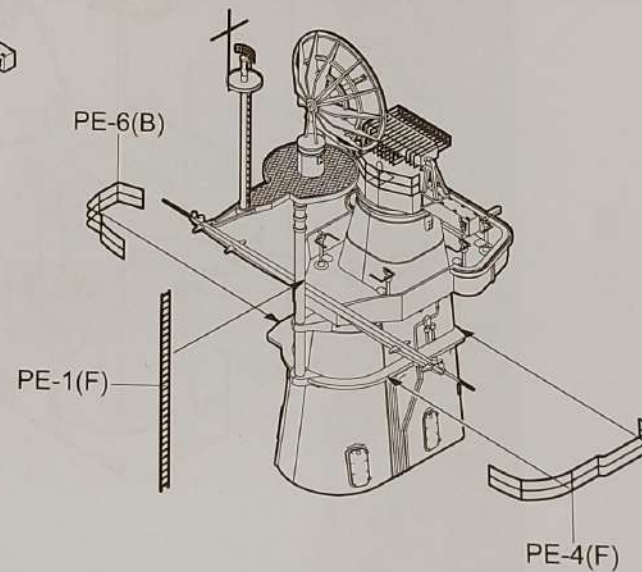
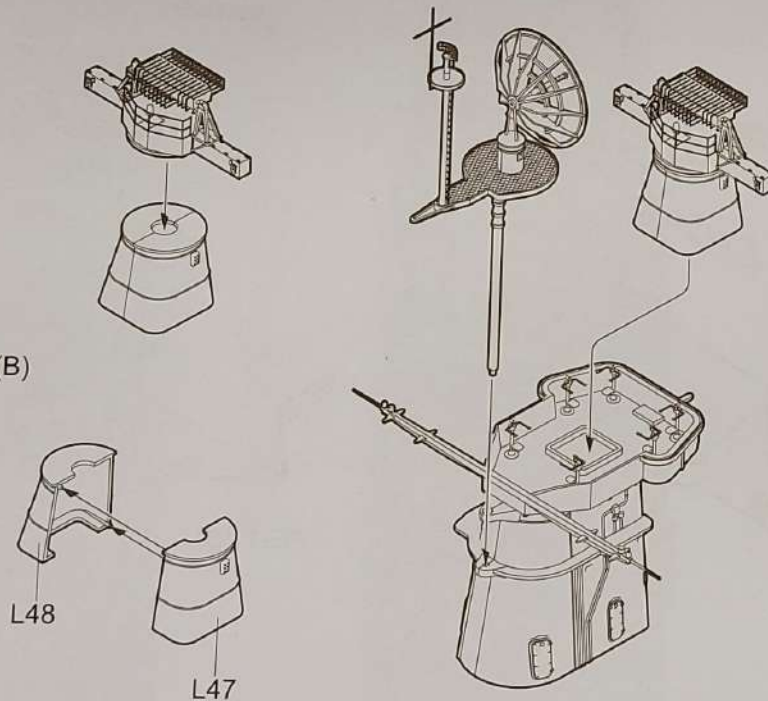
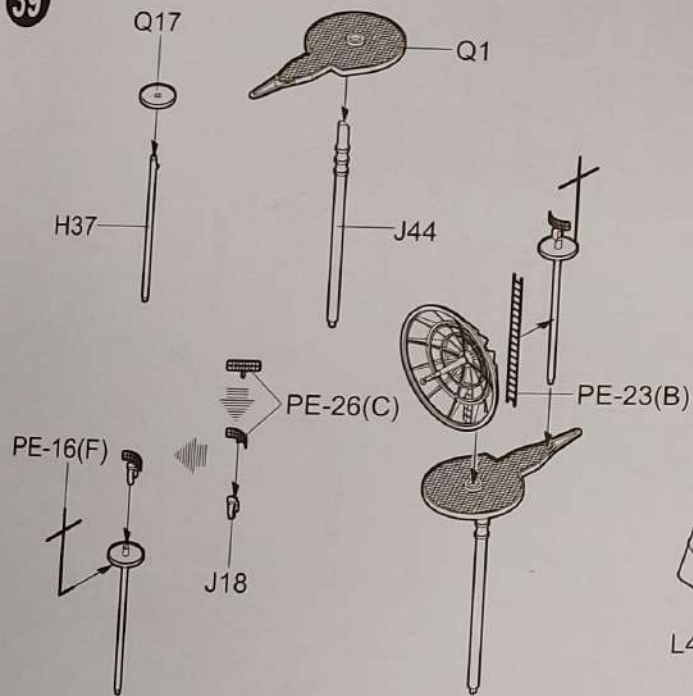
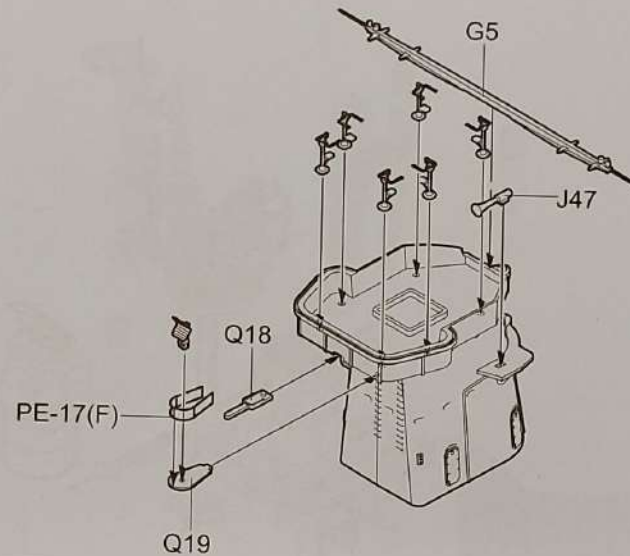
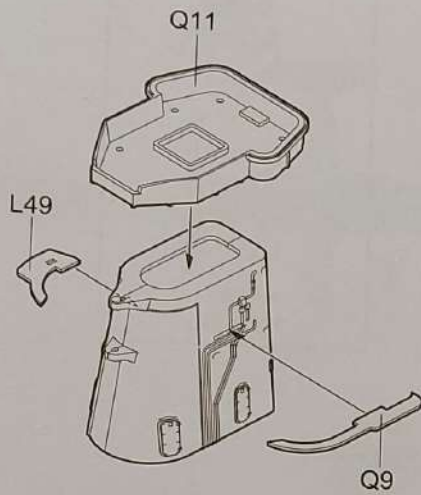
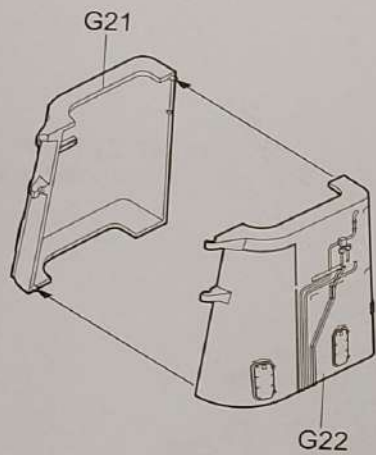
35

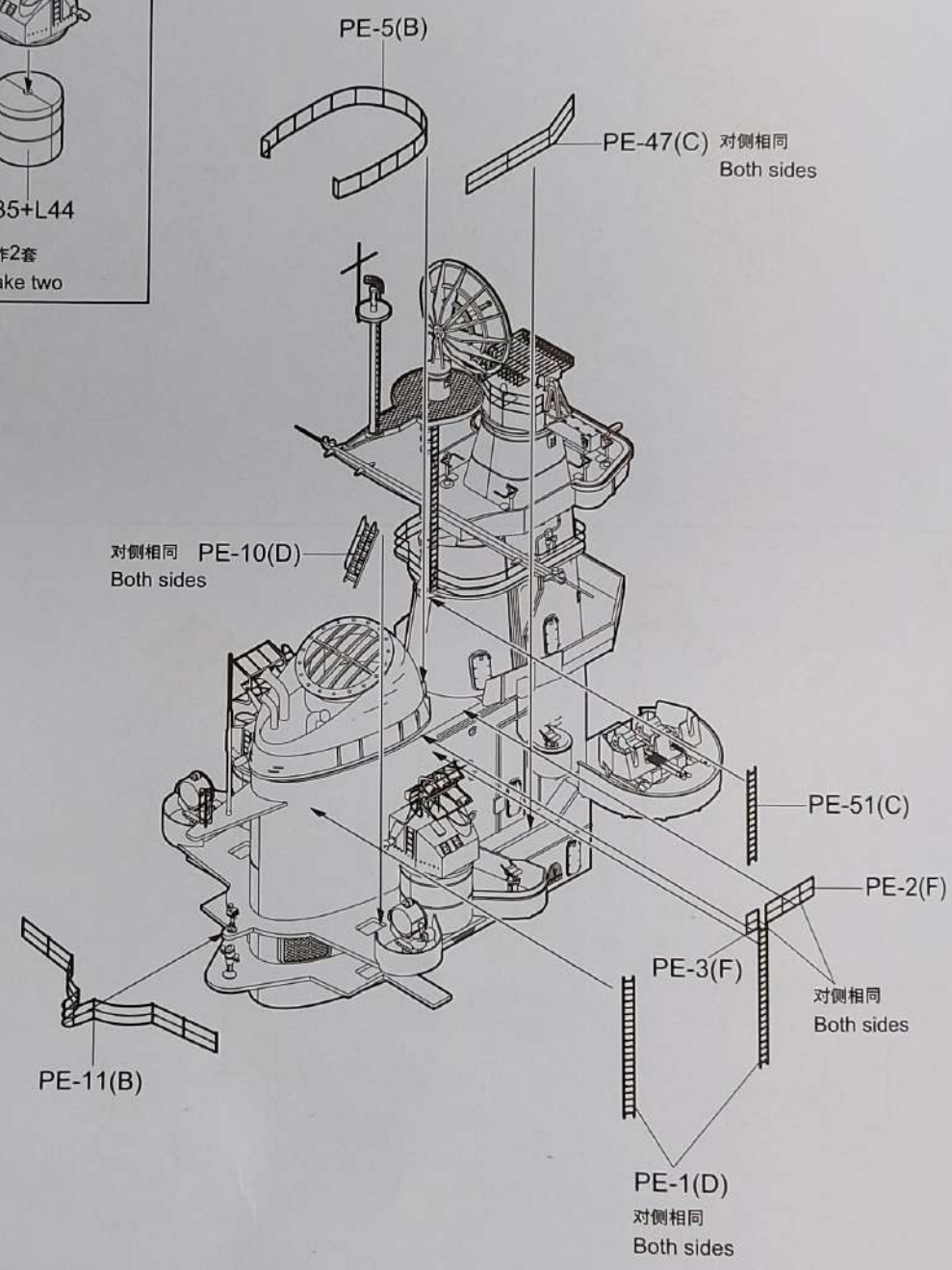
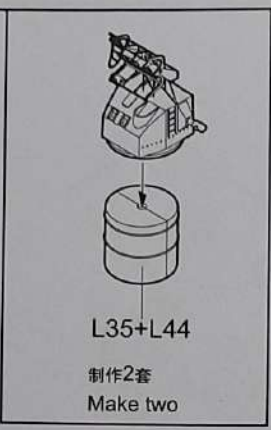
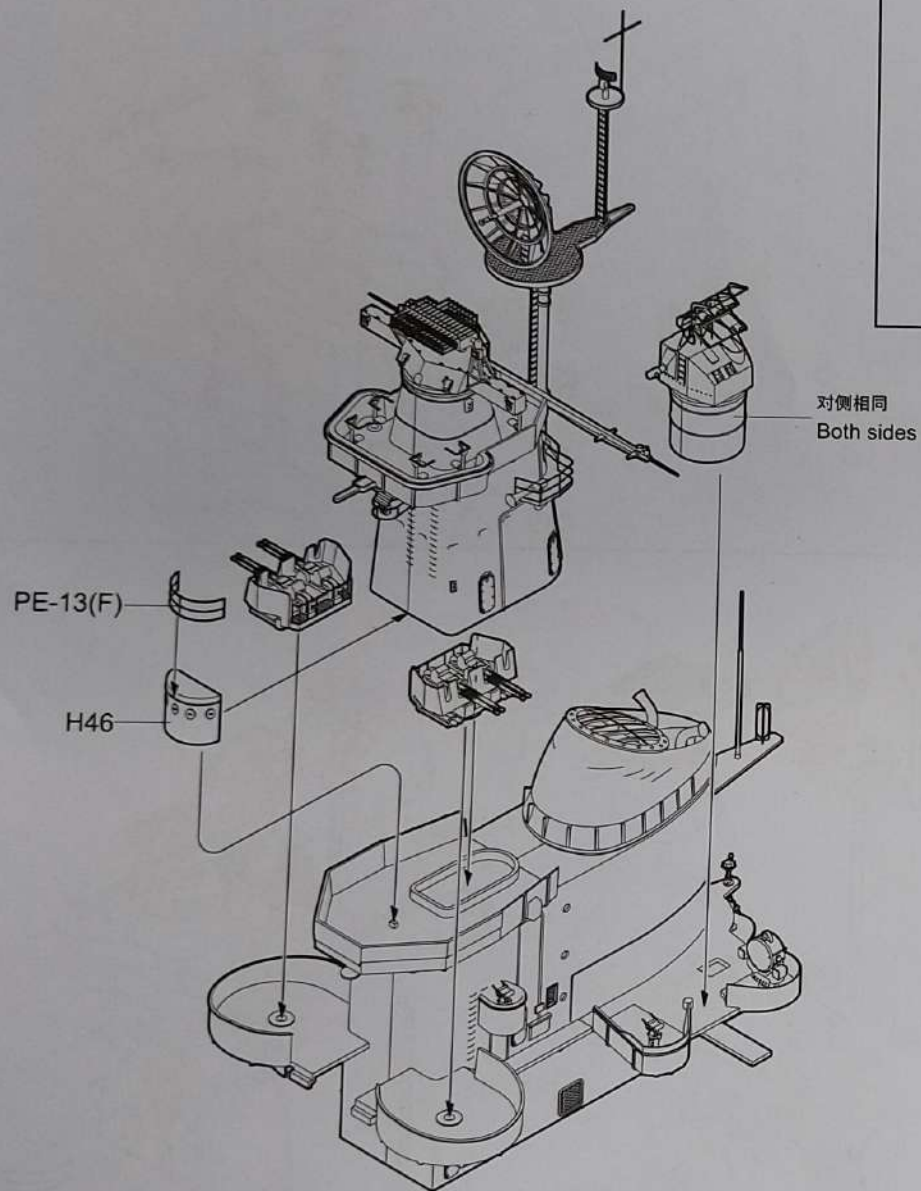


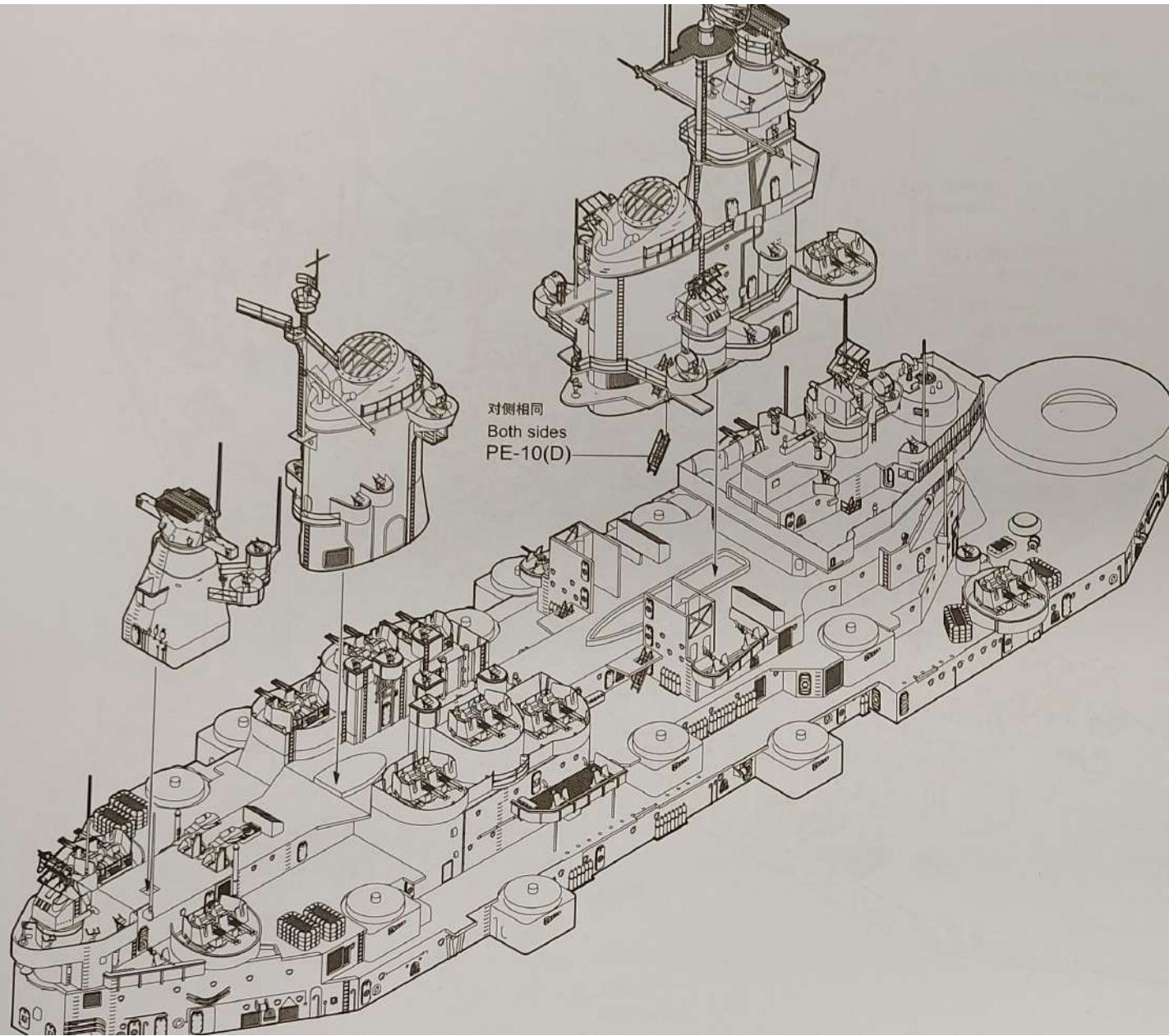
36

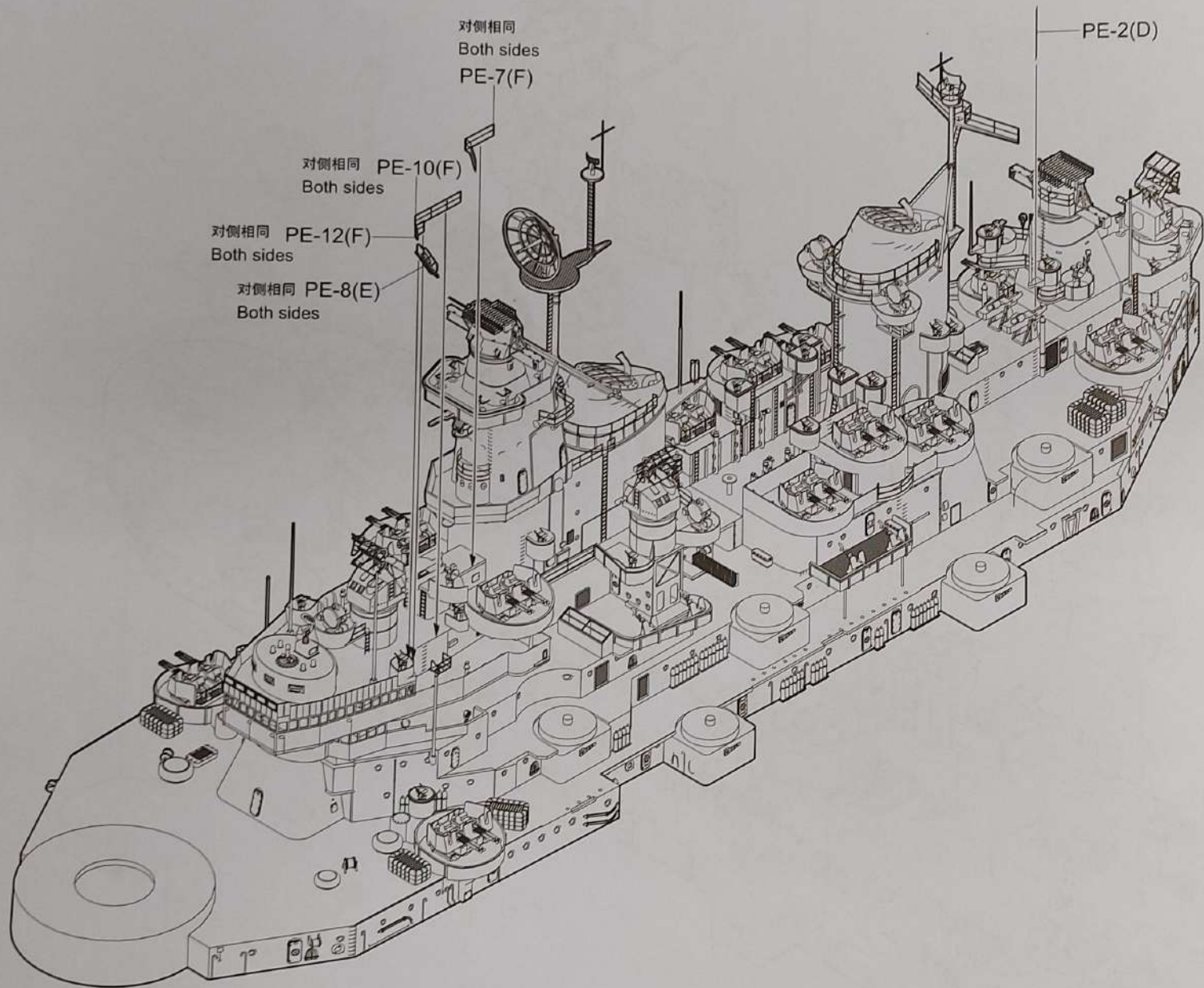


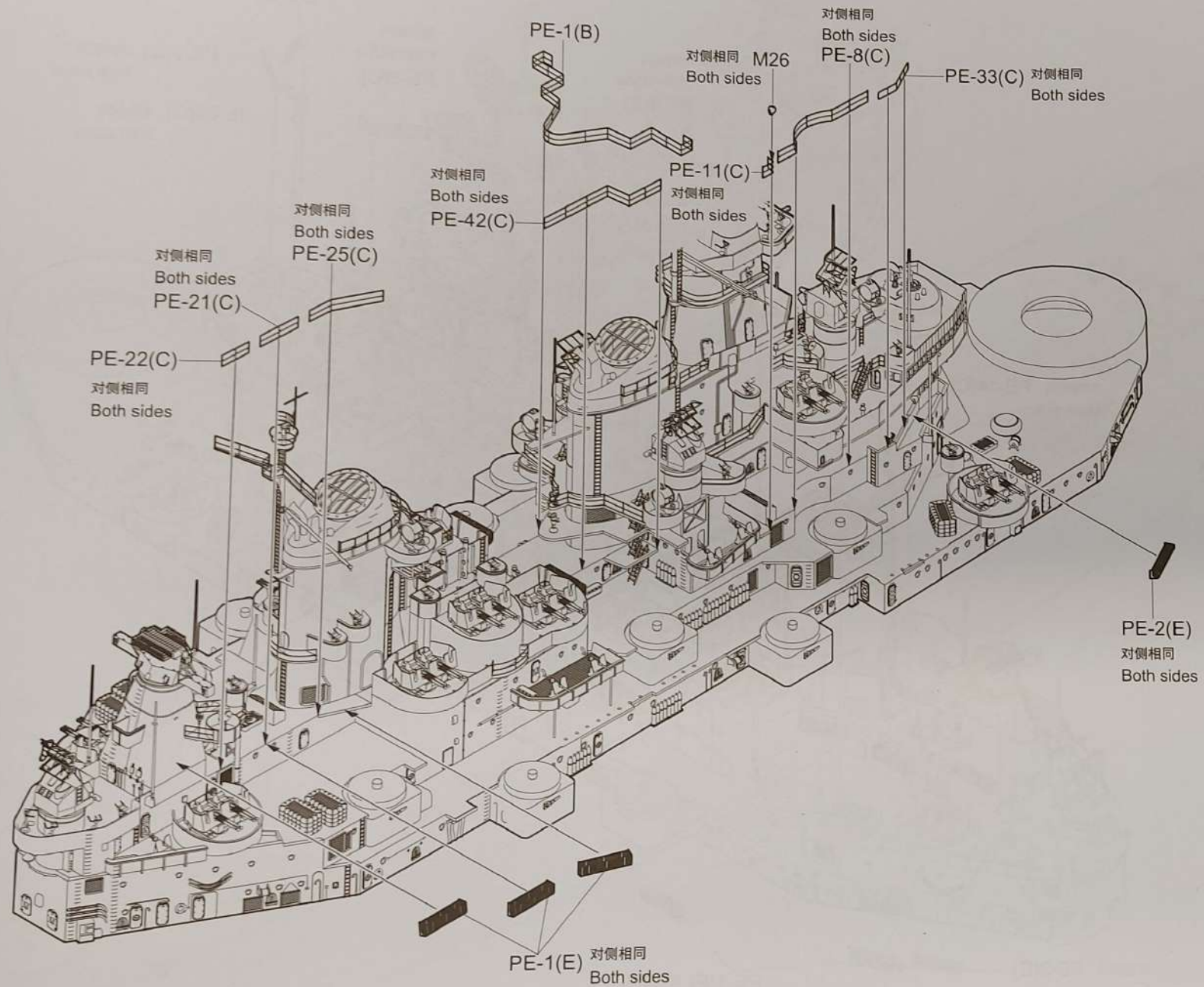


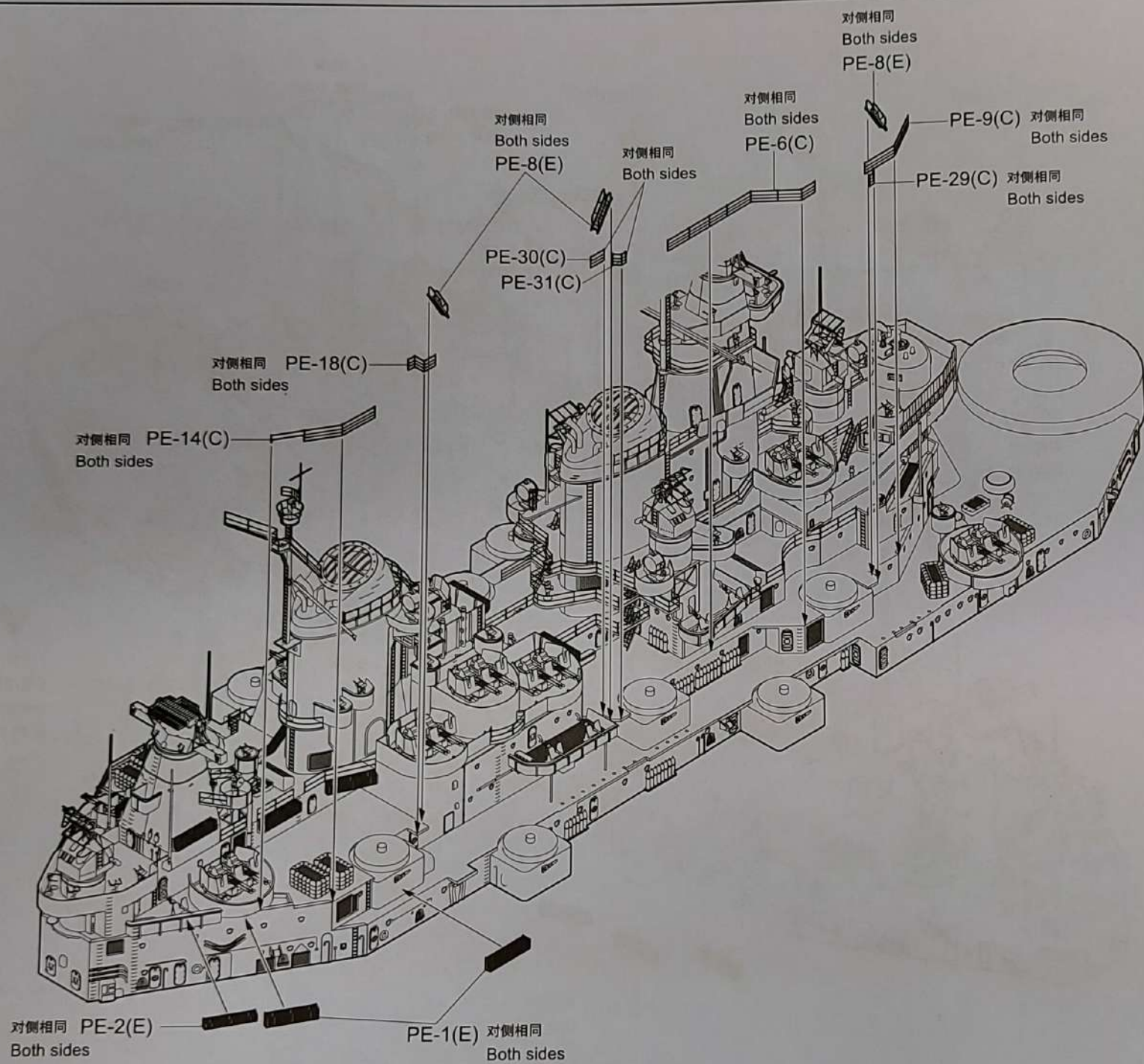


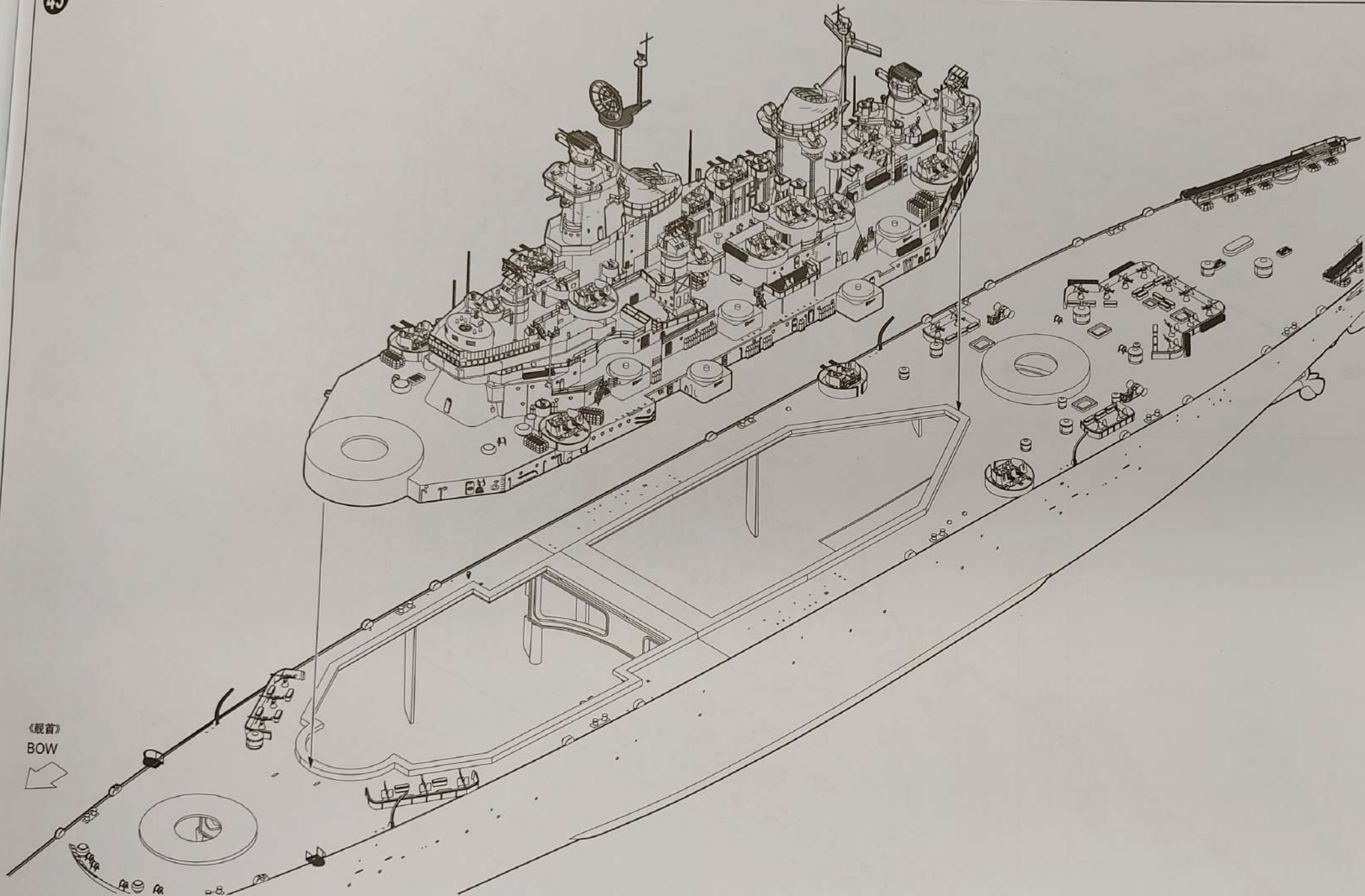












《舰首》
BOW



PE-9(D)

制作6套
Make six

PE-9(D)

PE-12(C)

PE-2(C)

PE-17(C)

PE-16(C)

PE-5(C)

PE-9(D)

PE-13(C)

PE-9(D)

PE-24(B)

PE-37(C)

(舰首)
BOW

PE-2(E)

PE-8(D)

PE-11(D)

K18

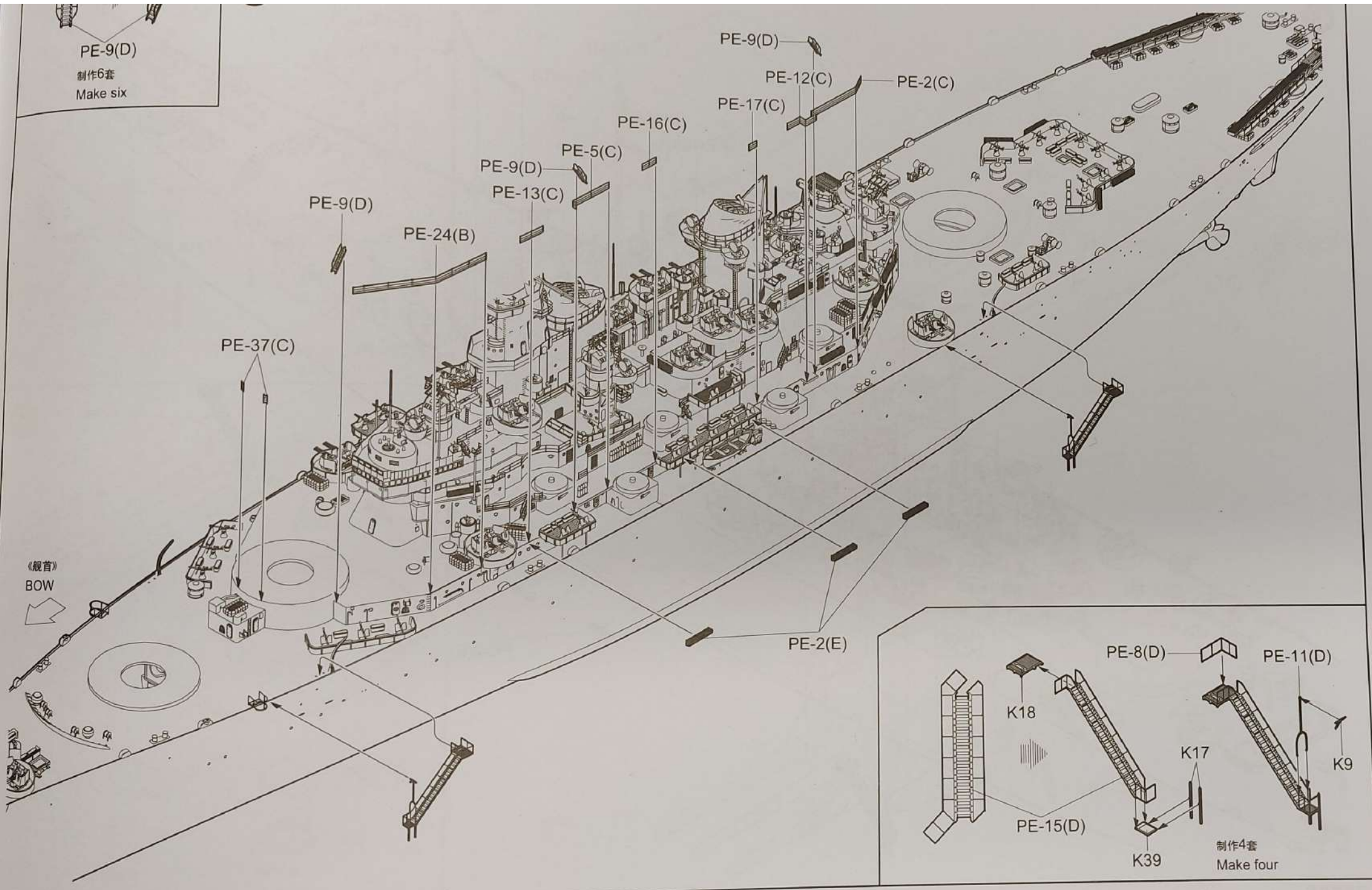
K17

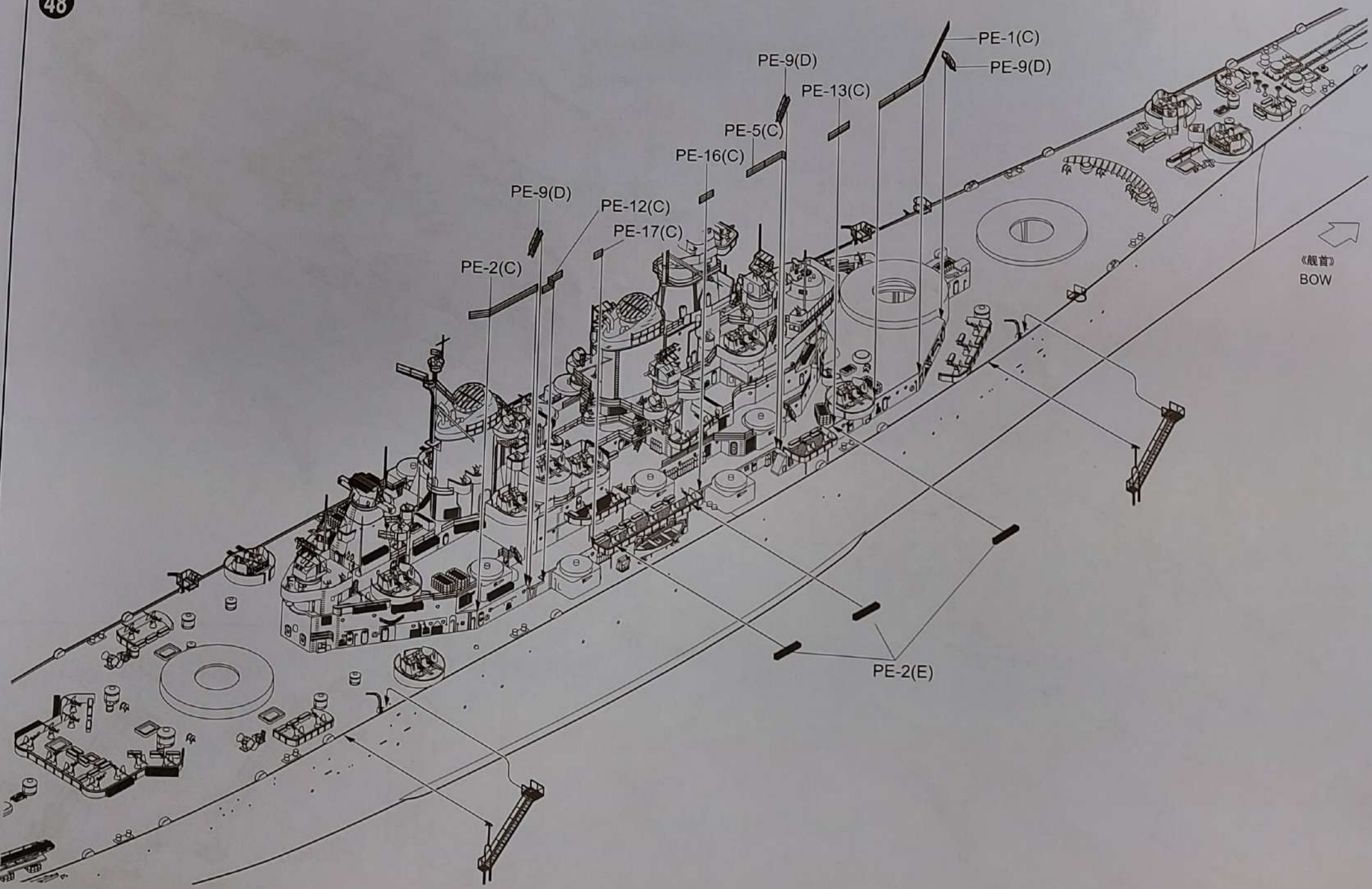
K9

PE-15(D)

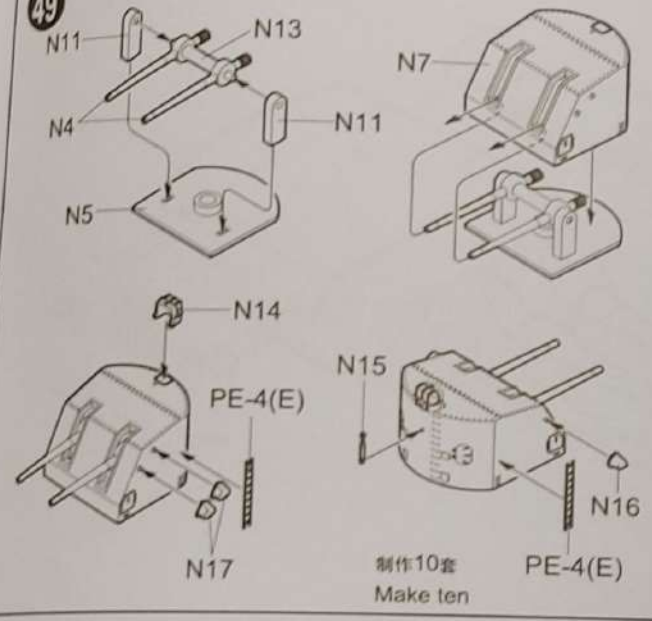
K39

制作4套
Make four



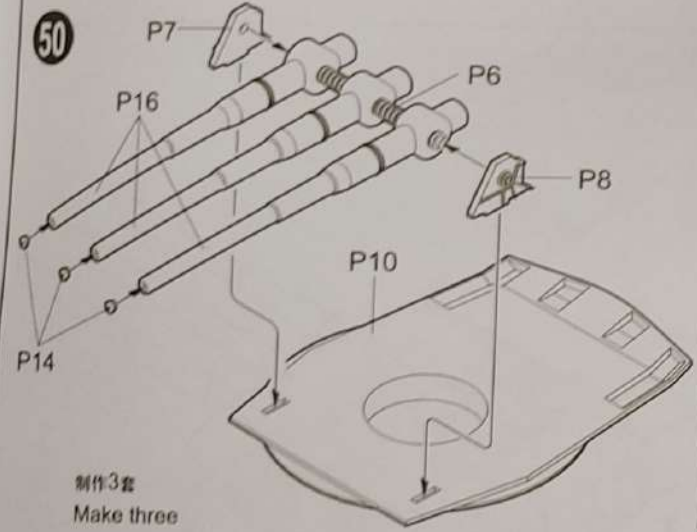


49

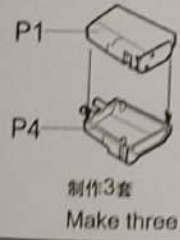


制作10套
Make ten

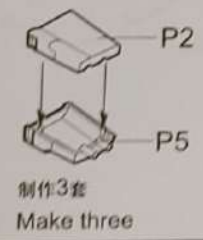
50



制作3套
Make three

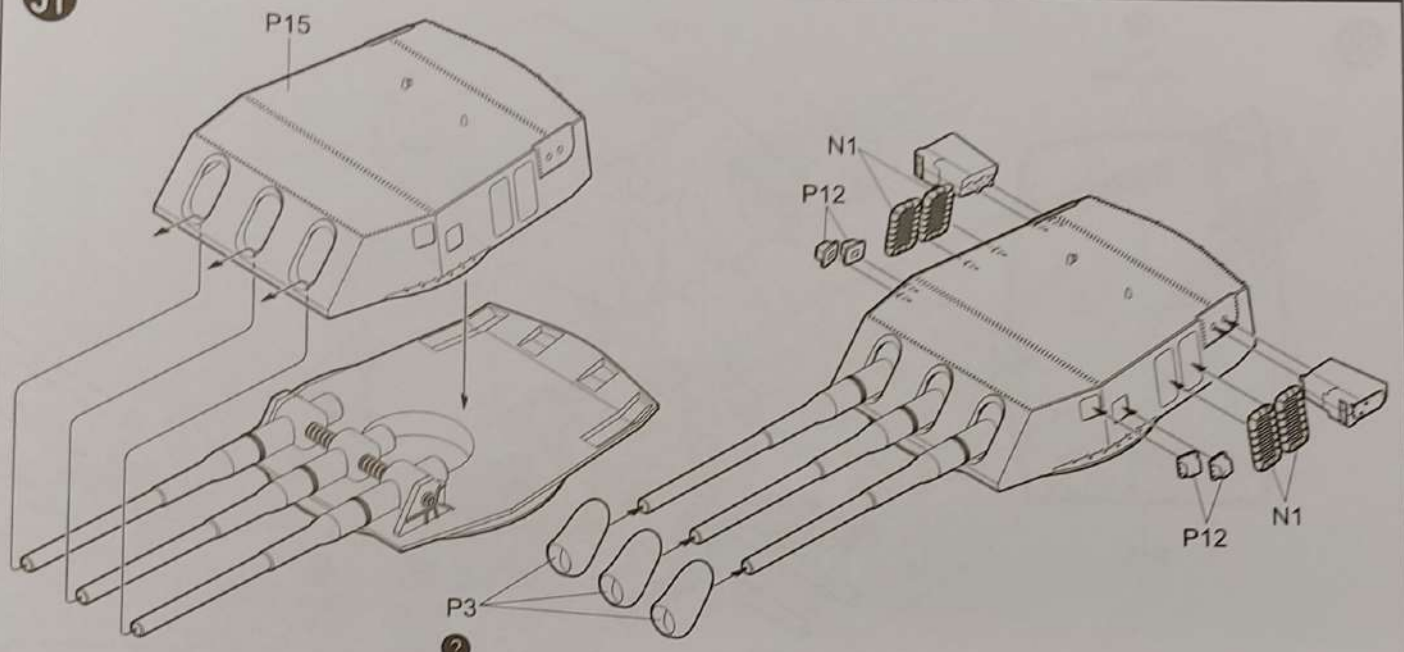


制作3套
Make three

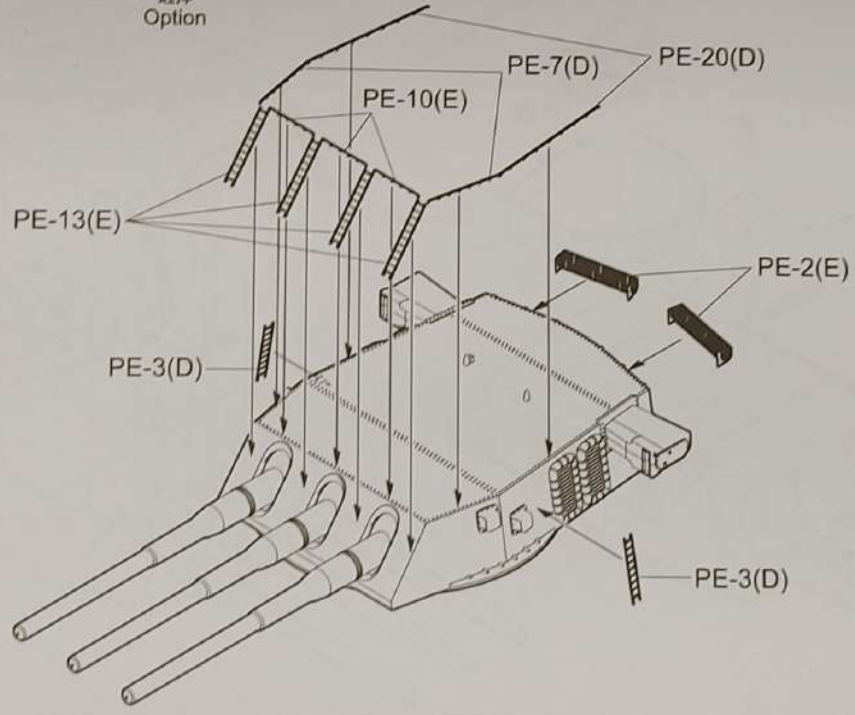


制作3套
Make three

51

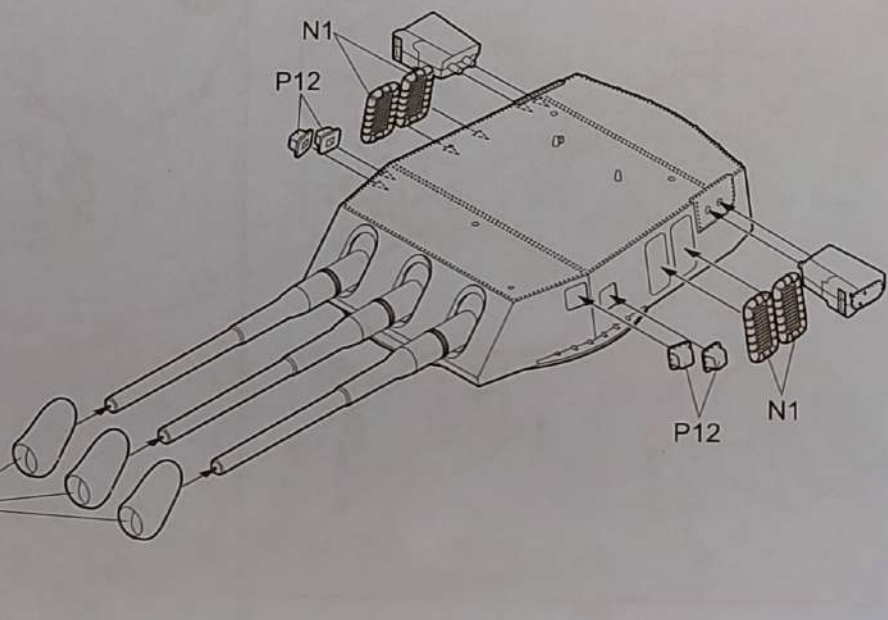
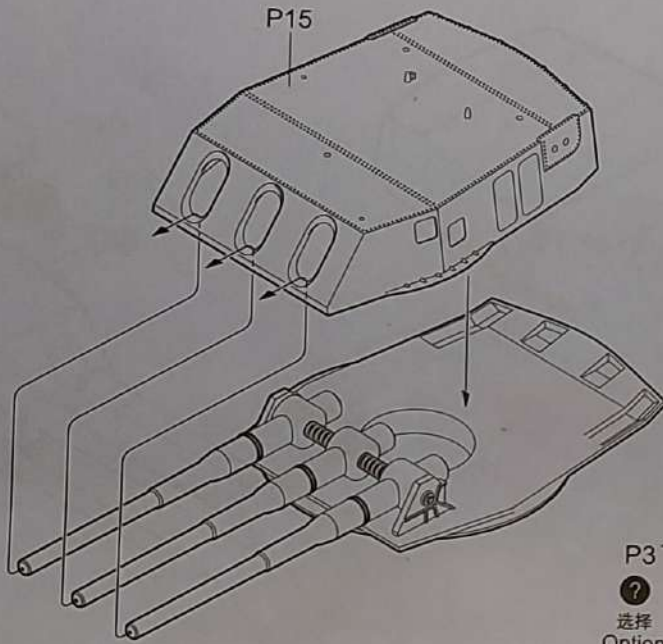
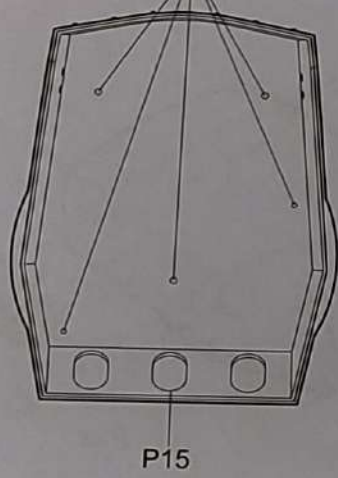


选择
Option

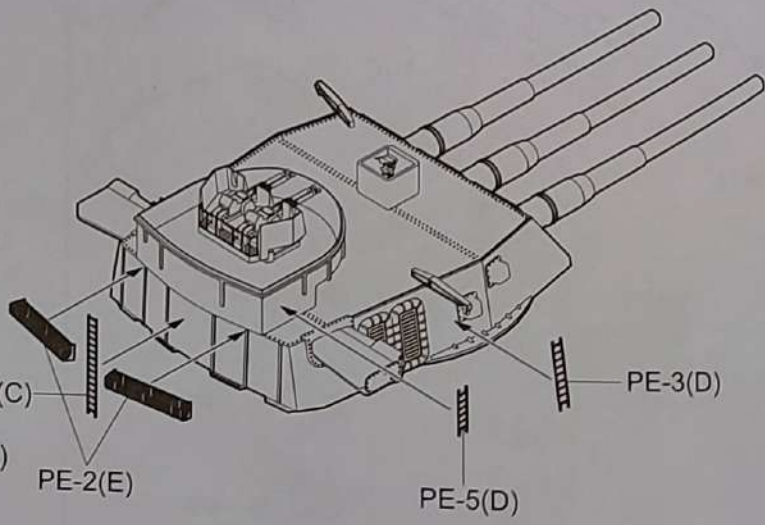
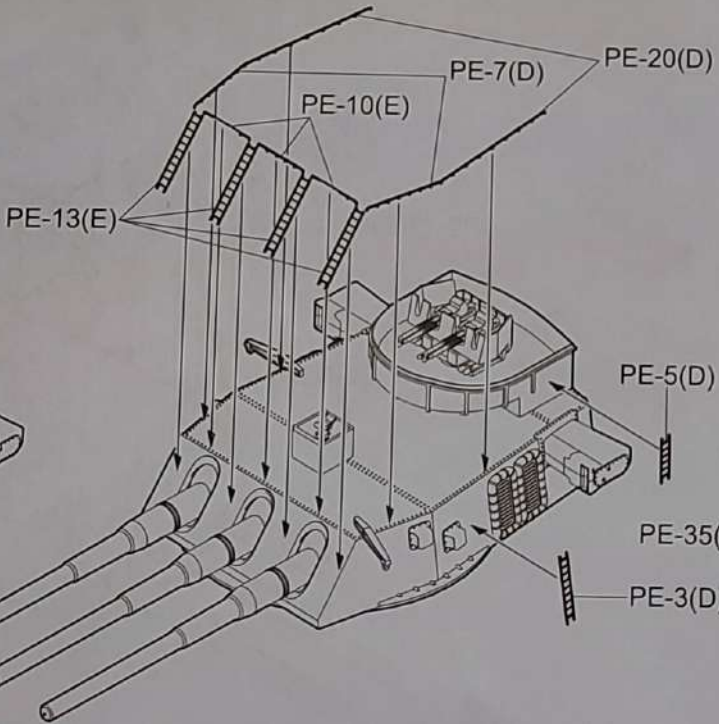
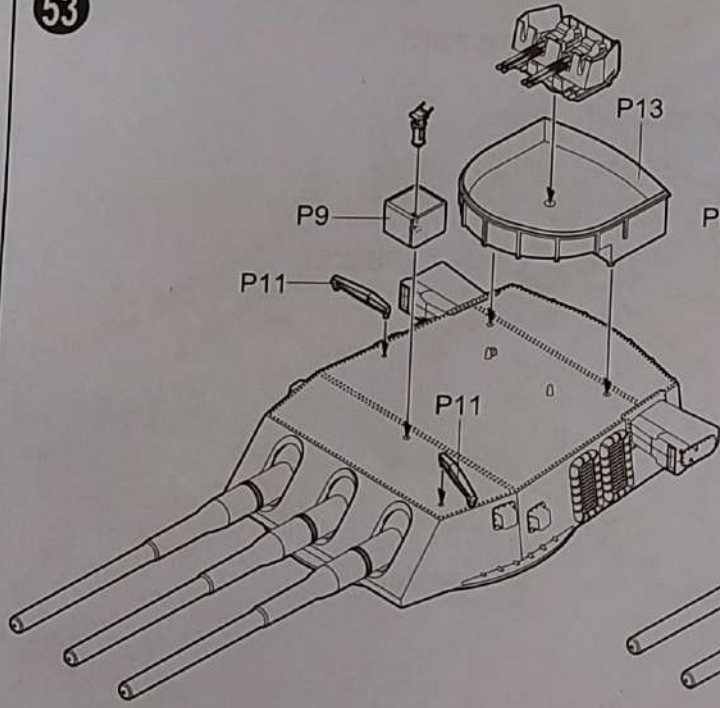


52

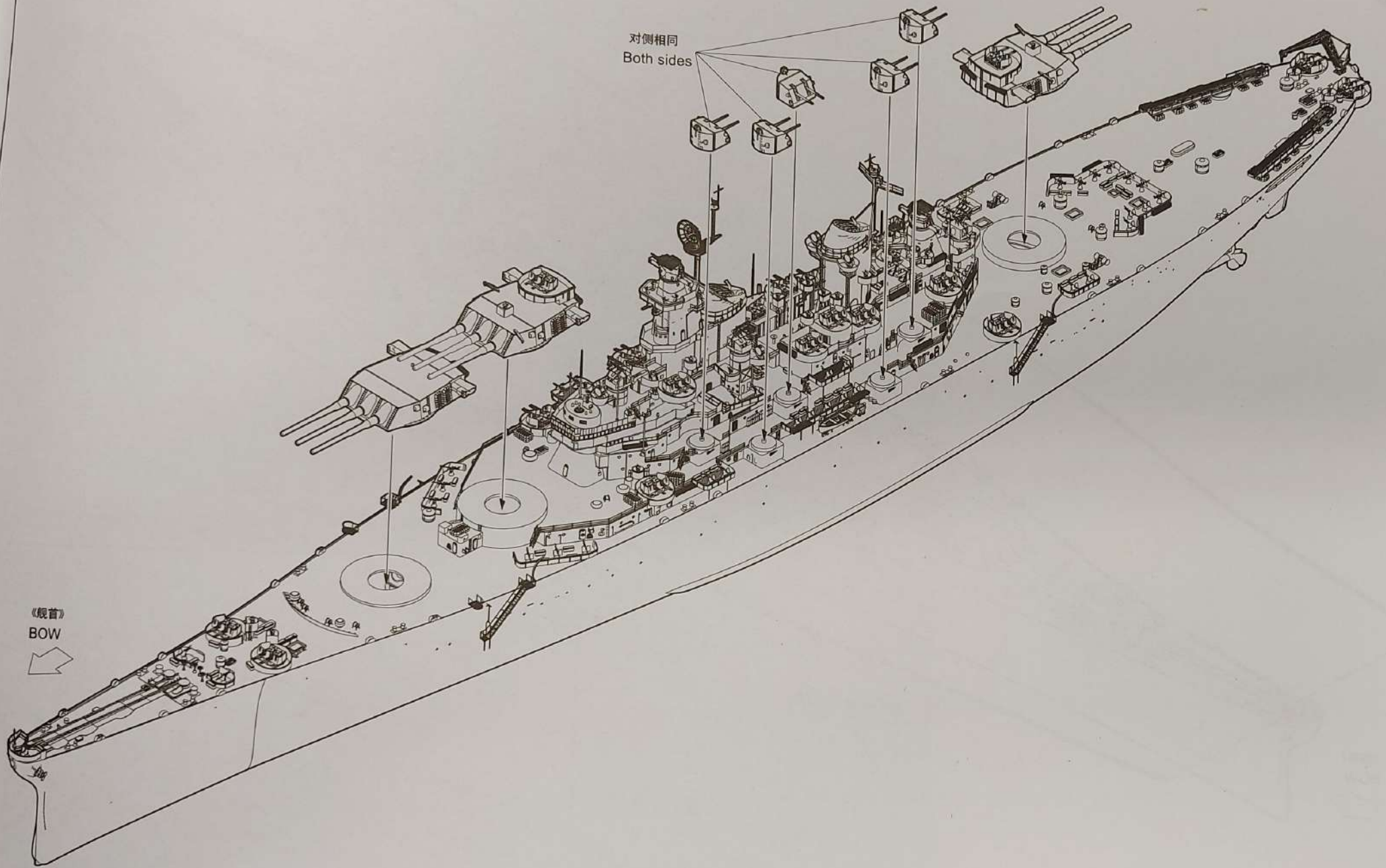
①
钻孔
Make hole

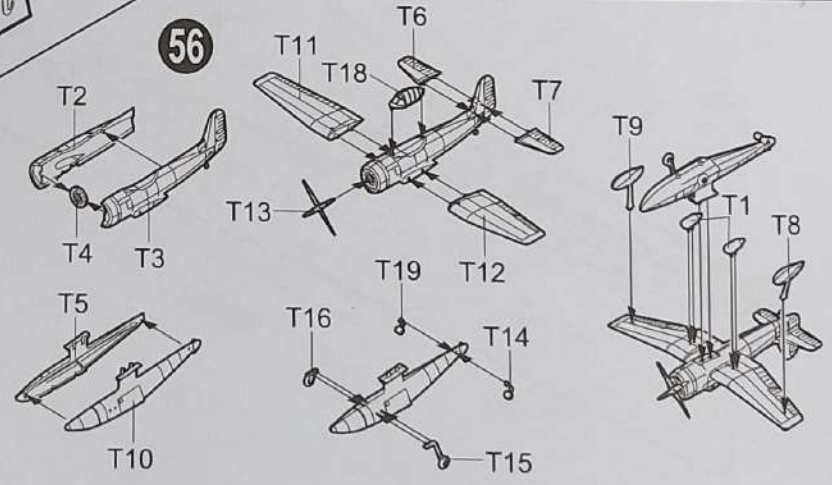
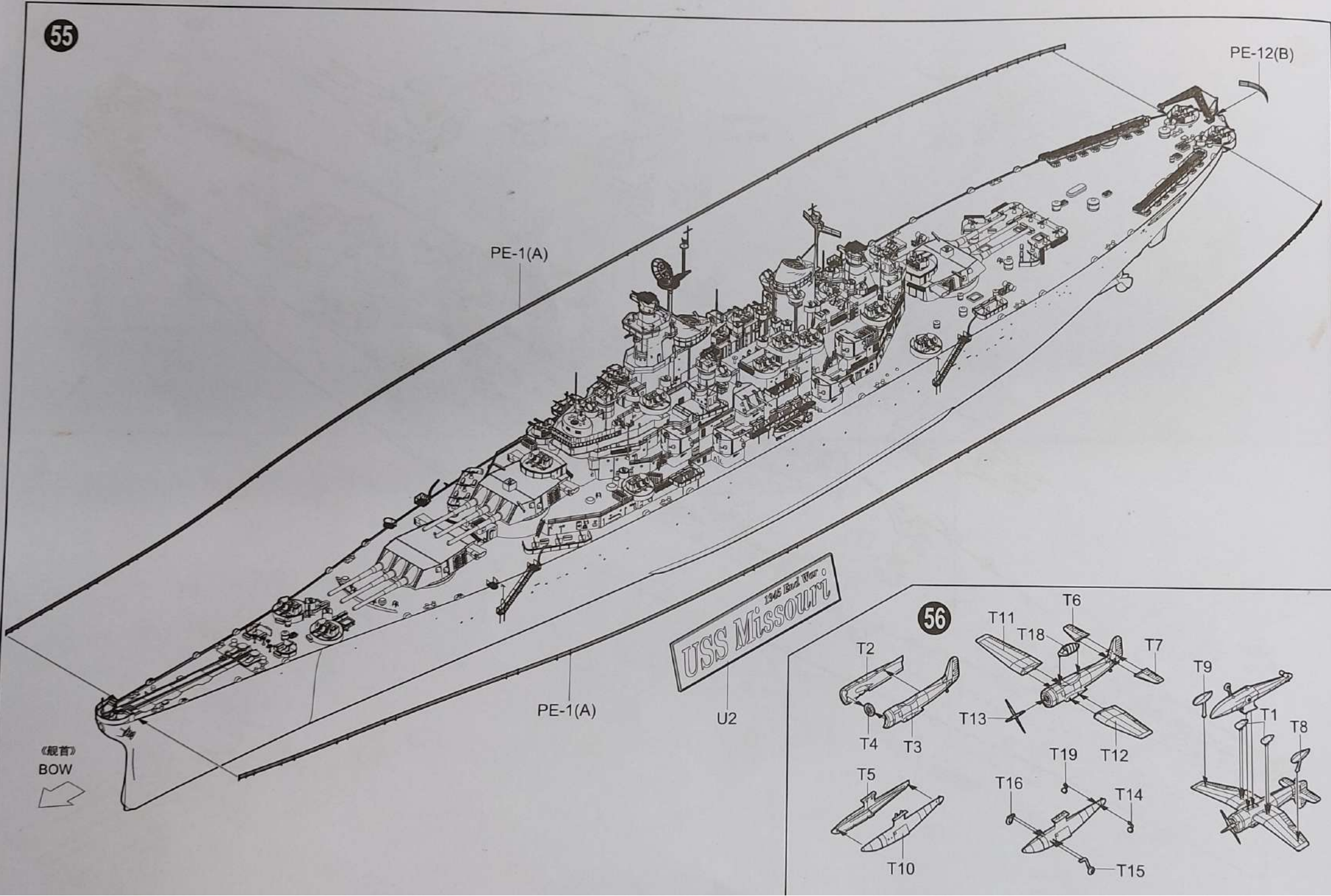


53



制作2套





涂装同标贴指示

Painting & Marking guide

PAINT REFERENCE COLOUR

Color	Mr.Hobby	Vallejo	Model Master	Tamiya	Humbrol
Gold 金色	H 9 9	876	174	X12	16
Cocoa Brown 麻褐色	H 17 29	985	—	XF9	177
Flat black 亚光黑	H 12 33	950	1749	XF1	33
Tire Black 胎黑色	H 77 137	—	—	—	—
Flat White 消光白	H 11 62	951	1768	XF2	34
Grey 灰色	H 308 308	990	1728	XF19	127
Clear Green 透明绿	H 94 138	936	—	X26	—

PAINT REFERENCE COLOUR

Color	Mr.Hobby	Vallejo	Model Master	Tamiya	Humbrol
Clear Red 透明红	H 90 47	934	—	X27	—
US Navy Blue 美国海军蓝	—	—	—	AS8	—
深海军蓝 深天蓝 Black and grey 深灰色	H 12 33	—	—	—	—

