

# HMCS Huron Destroyer 1944

加拿大皇家海军“休伦”号驱逐舰1944年

## READ BEFORE ASSEMBLY:

- Study and understand these instructions thoroughly before beginning assembly
- When needed, remove photo-etch parts carefully using a modeling knife or photo etch sprue cutter, being careful not to damage or lose small parts.
- Take extra care in handling photo etch parts in order to avoid injury
- Apply instant cement sparingly to photo etch parts where instructed
- Tools recommended(not included in kit):Plastic and instant cements, sprue cutters,long nose pliers,modeling knife, small files, tweezers, pin vise & scissors. Soft cloth and sandpaper will also assist in construction
- Glue and paint are not included in the kit. Use plastic cement and hobby paints only. Color guide for purchasing paint is included in the kit.

## 装配之前仔细阅读

- 小心用模型锉刀锉平所有零件表面的注射浇口。
- 小心用刀片切下蚀刻片零件，不要遗失小零件。
- 用强力快干胶水粘合蚀刻片零件和金属轴。过量快干胶水使用可能导致可动零件会粘住，小心涂胶。
- 取蚀刻片时应特别注意安全，防止利边划伤手指。
- 某些零件表面需贴水上水贴纸，请选择在装配的同时进行。
- 推荐模型工具(自备)：胶水，水口剪刀，长咀钳，刀片，锉刀，镊子，钳，钻，剪刀，瞬间快干胶。
- 软布同砂纸同时也应该是必备工具。
- 请使用塑料胶水和油漆，模型内不含。



配重  
Weight



使用强力胶  
Cyanoacrylate glue



钻孔  
Make hole



切除  
Cut / Remove



贴纸  
Decal



锉平  
File / Sand



选择  
Option



不涂胶水  
No cement



弯曲  
Bend

## 水贴纸的使用:

- 1.从水贴纸上剪下印花;
- 2.将印花放入温水中浸10秒,然后放在干净布上。
- 3.拿着印花纸板将印花移到模型上;
- 4.手指蘸水将印花移到适当的位置;
- 5.用软布轻压印花直至水干, 气泡消失

## DECAL APPLICATION

- 1.Cut decals from sheet as needed
- 2.Dip the decal in warm water for about 10 seconds and then place on soft clean cloth.
- 3.Hold the decal backing sheet edge and gently slide the decal onto the model in its proper position.

- 4.While still wet,decal can be adjusted for better fit on model by dampening it gently with your finger.
- 5.When placed in the proper position,gently press decal down with a soft cloth until excess water and air bubbles are gone.
- 6.Allow decal to dry completely before handling model

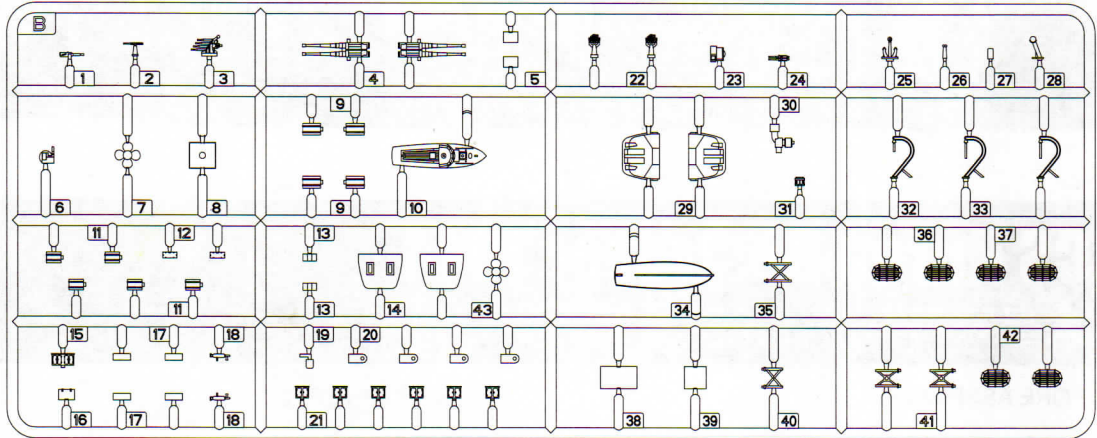
# 部品图

## Parts

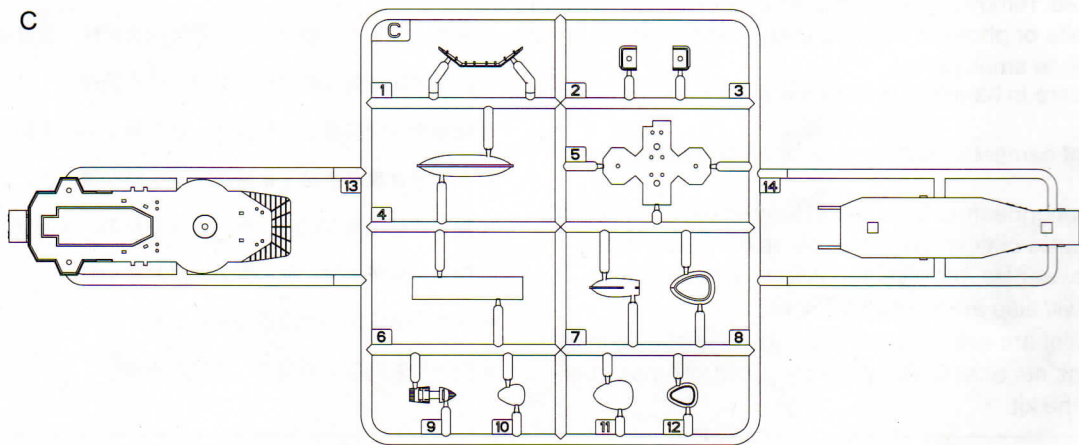
《船体》  
Hull



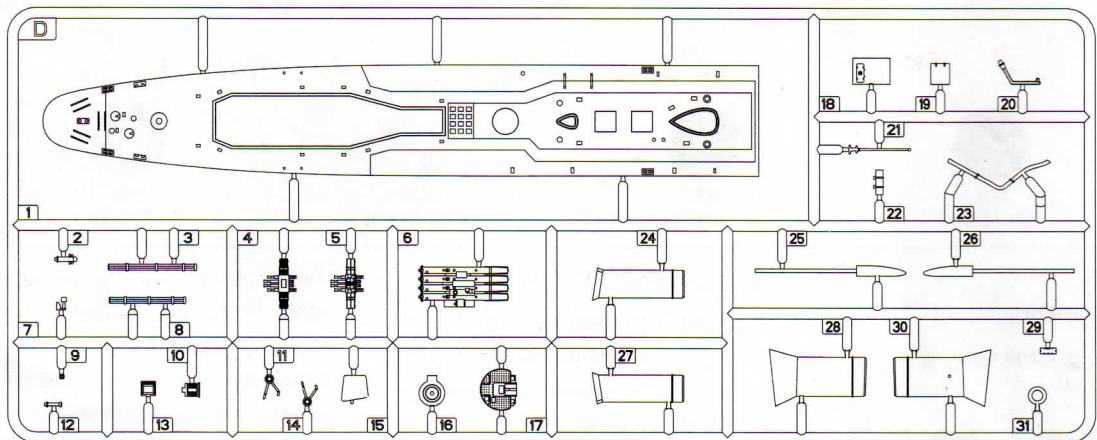
B×2



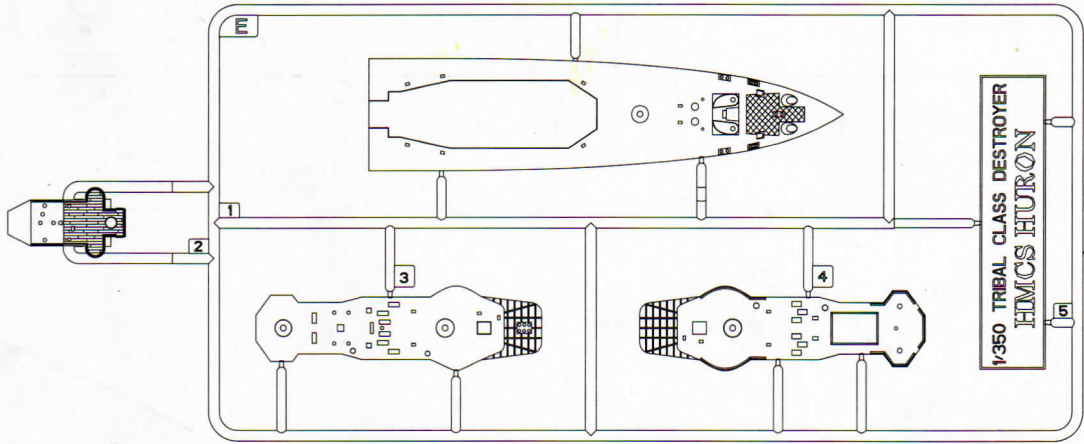
C



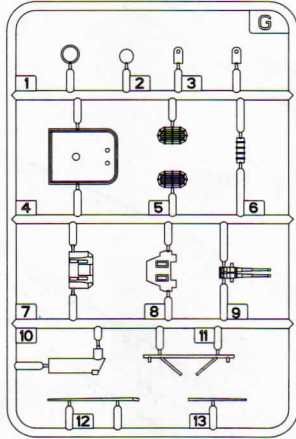
D



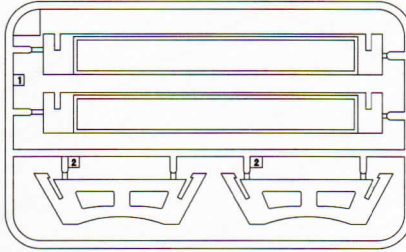
E



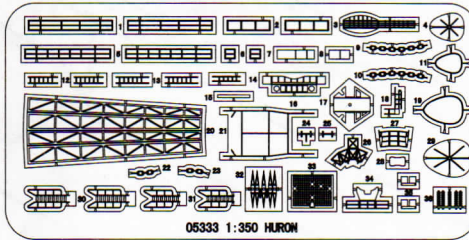
G



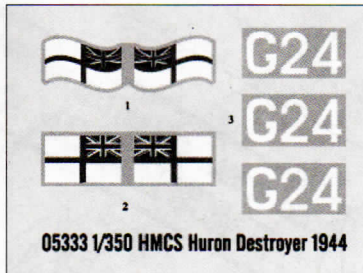
《座架》 Stand



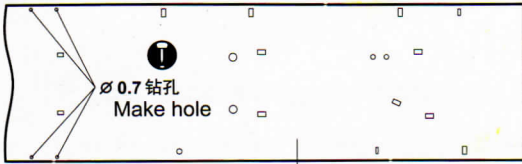
《蚀刻片》 Photo Etched



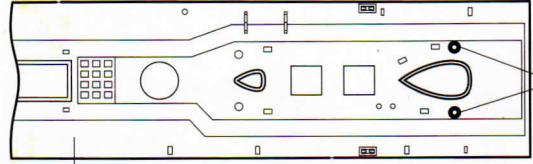
《贴纸》 Decal



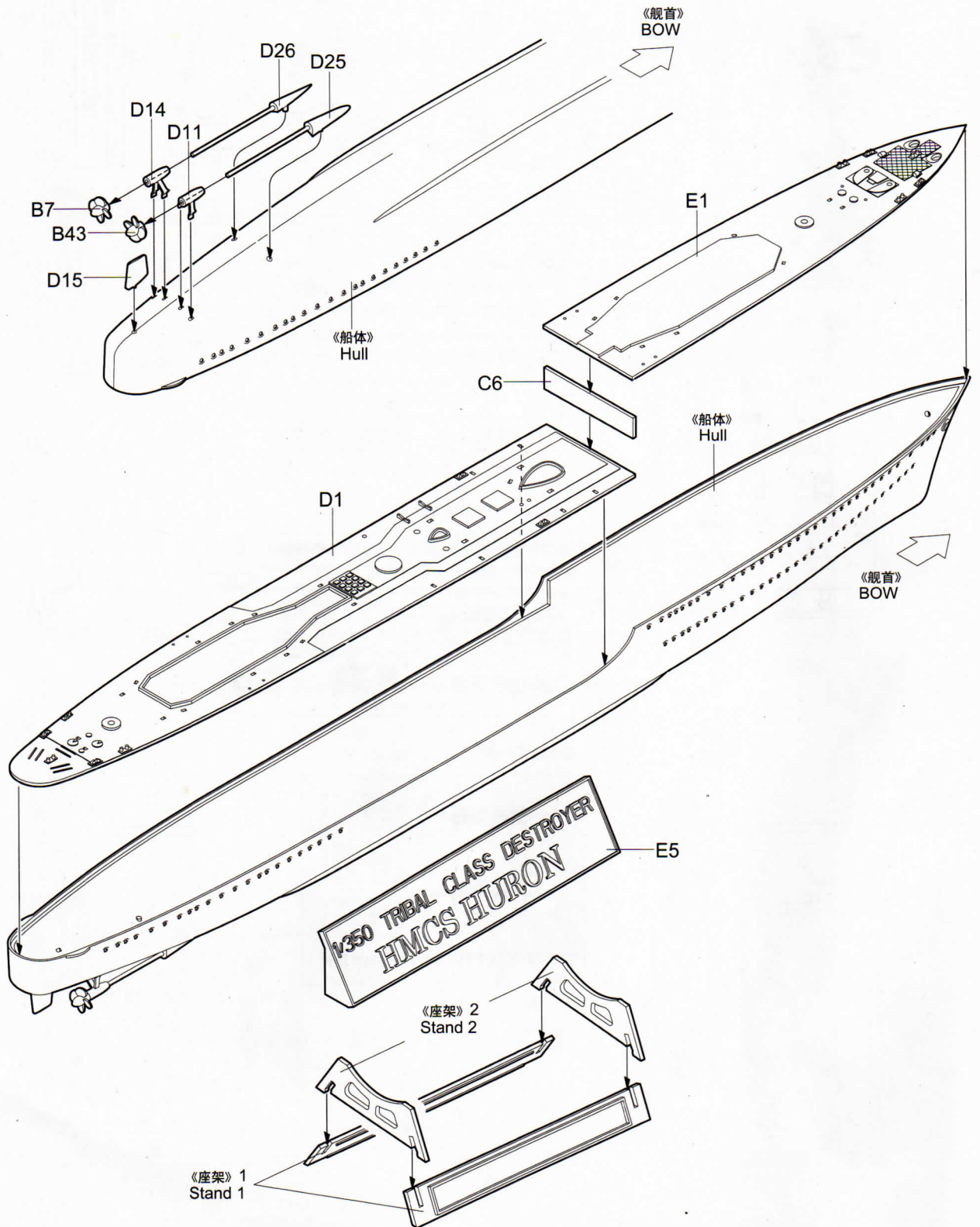
1

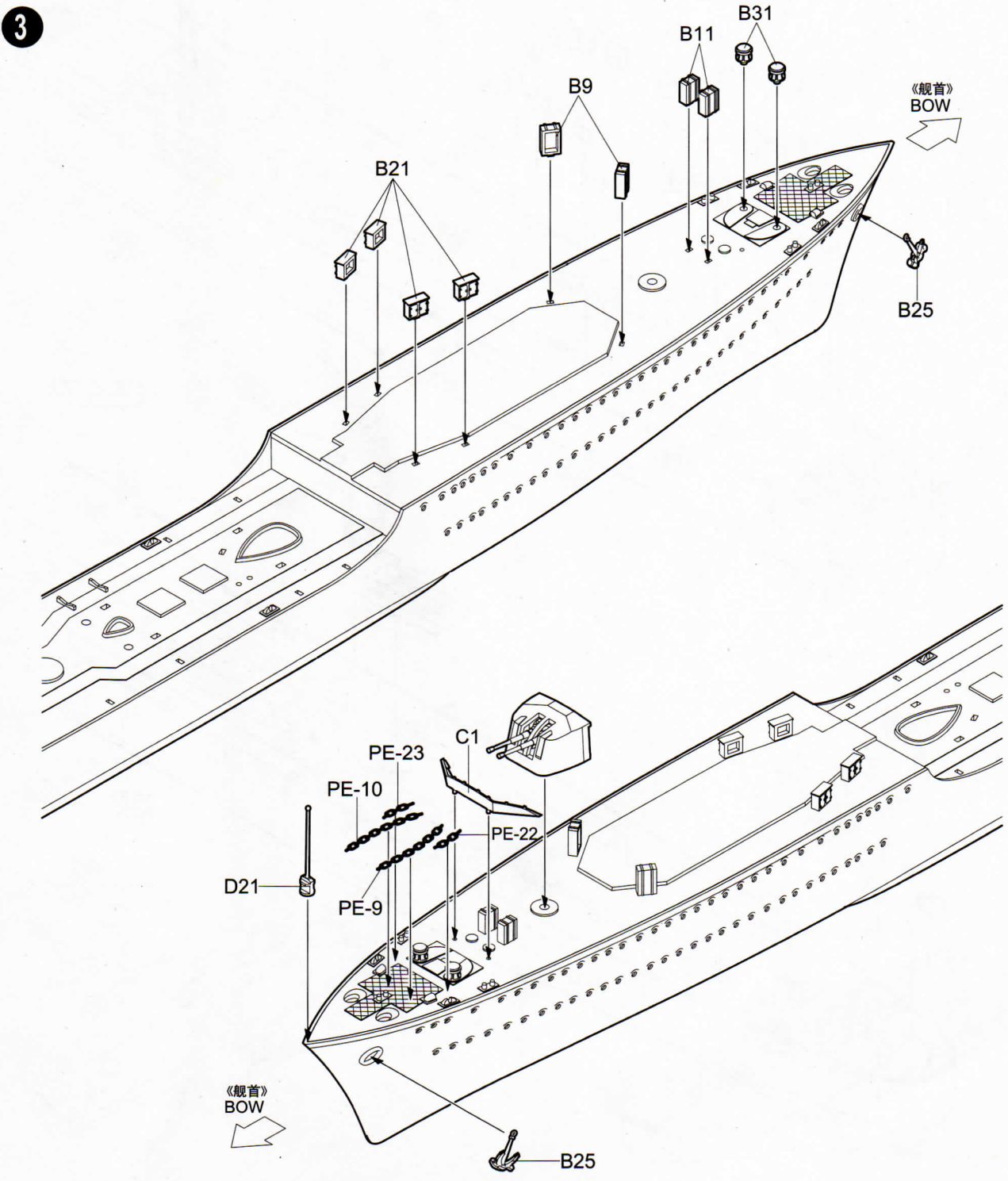
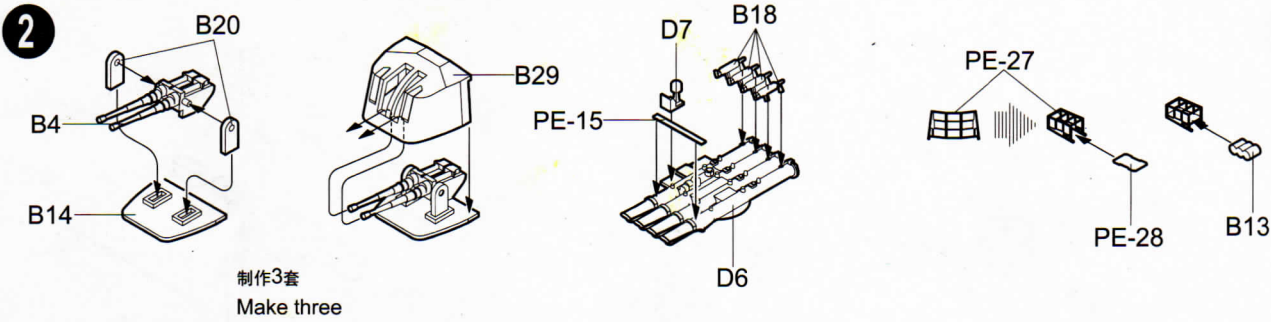


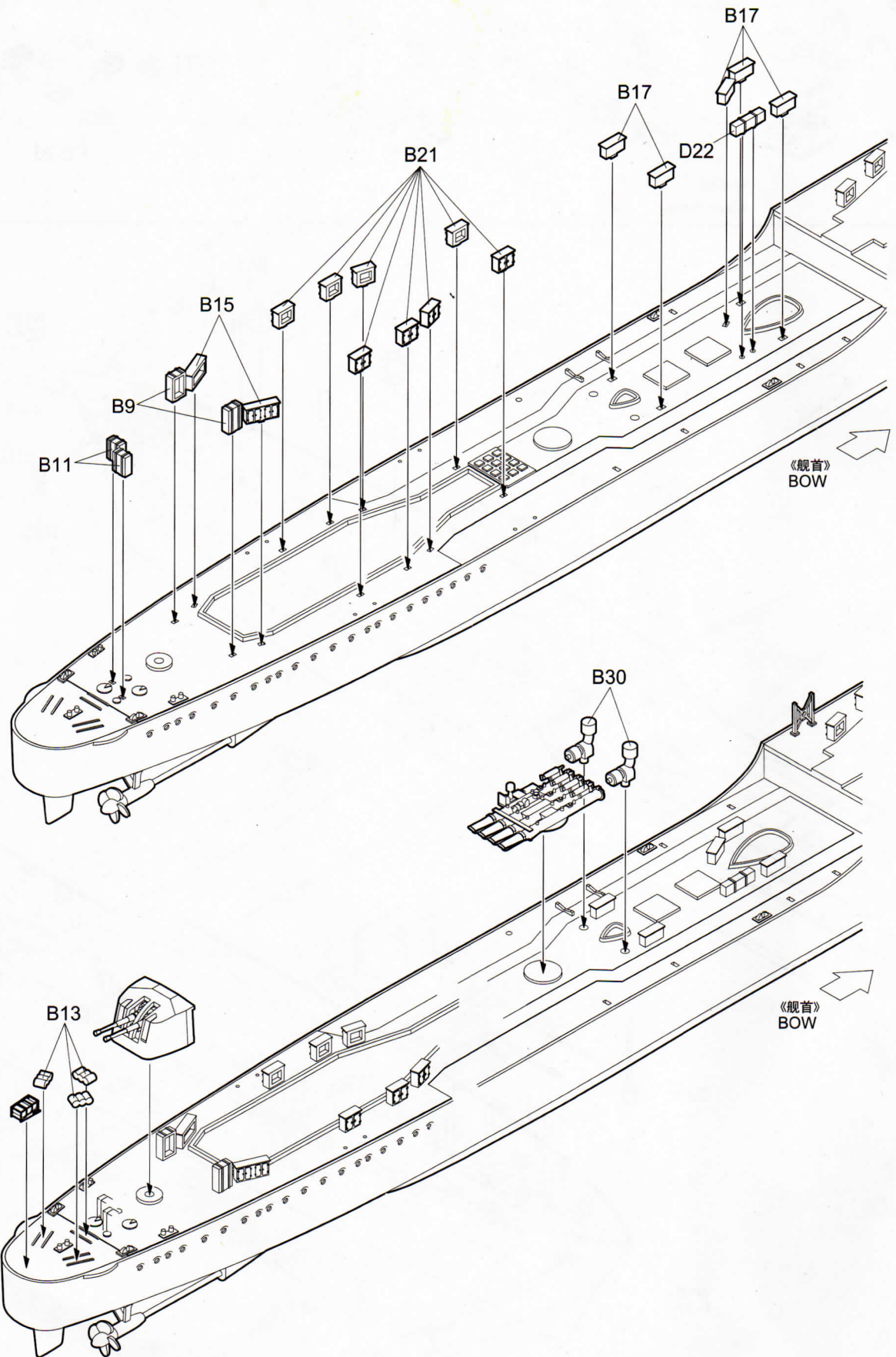
D1

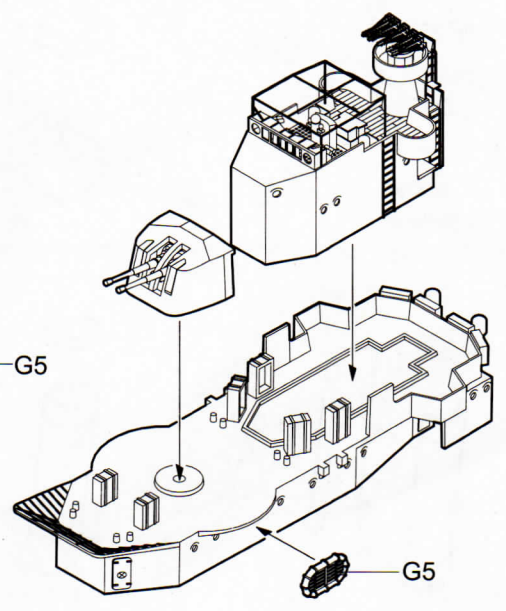
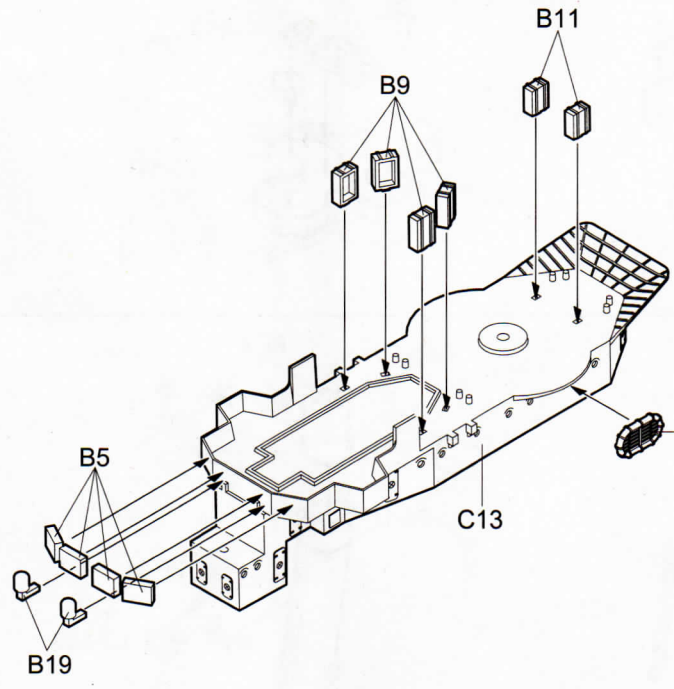
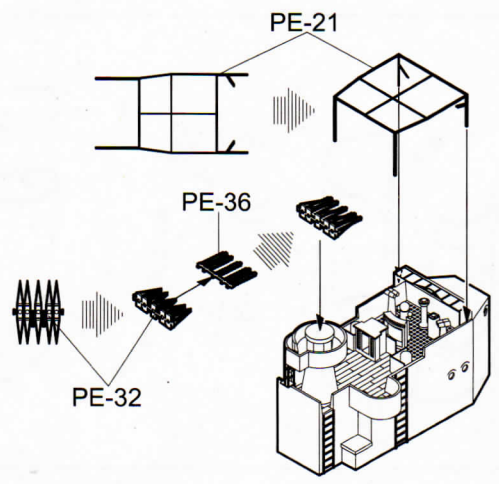
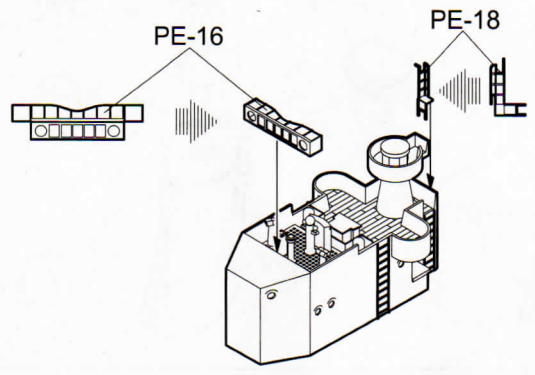
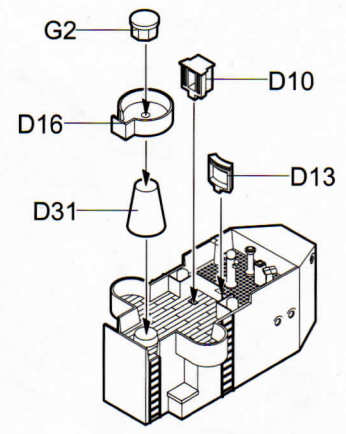
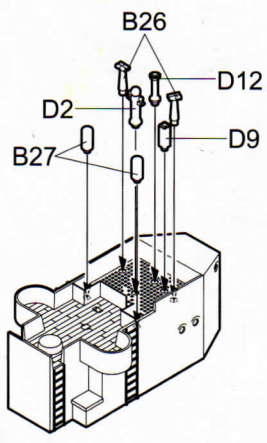
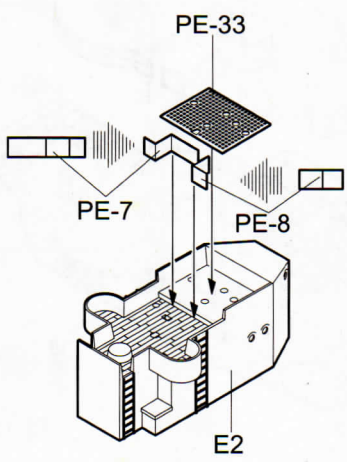


D1

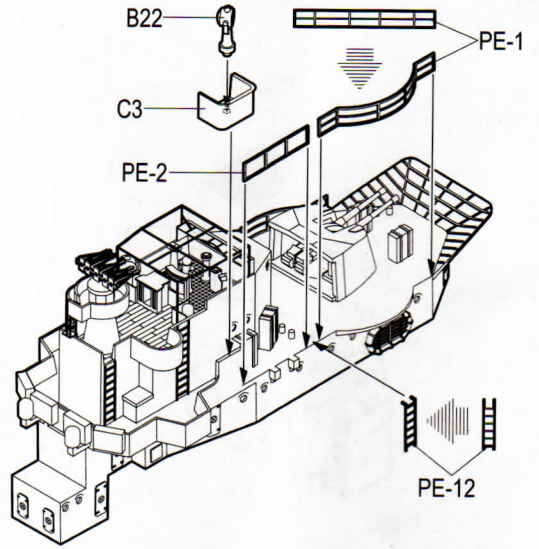
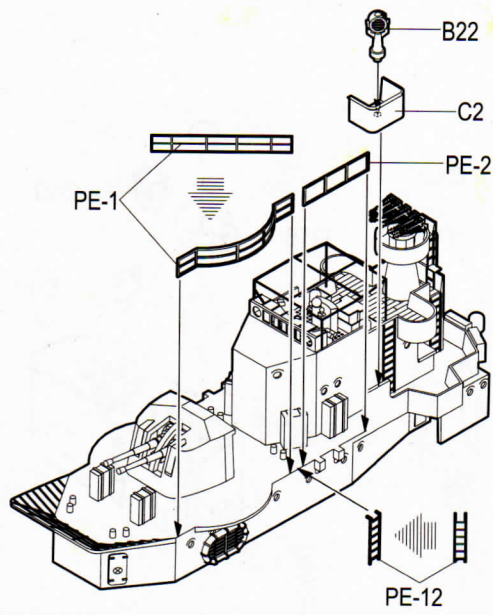




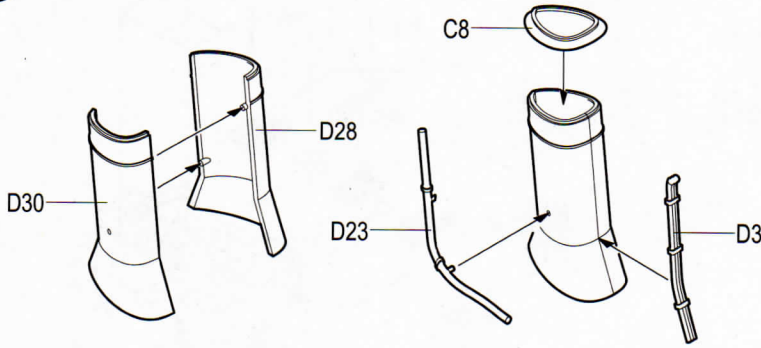




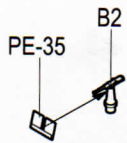
6



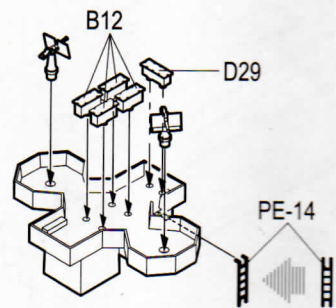
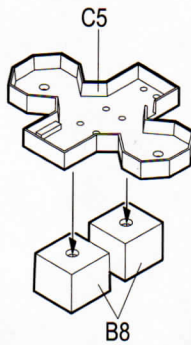
7



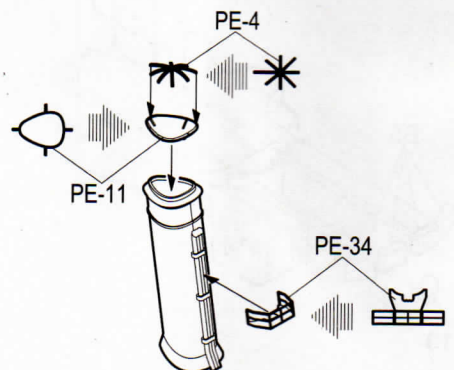
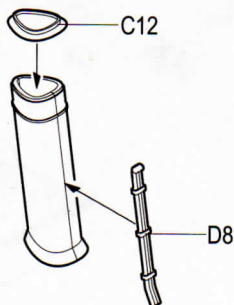
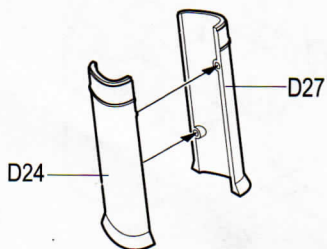
8



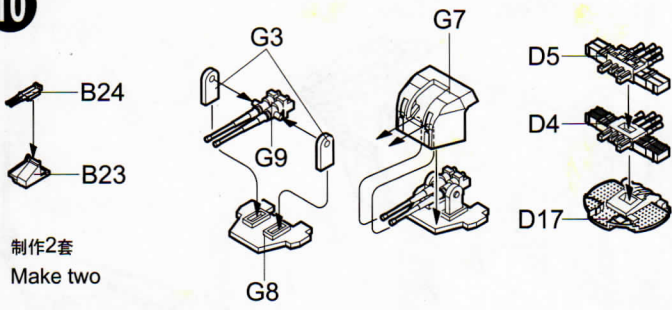
制作2套  
Make two



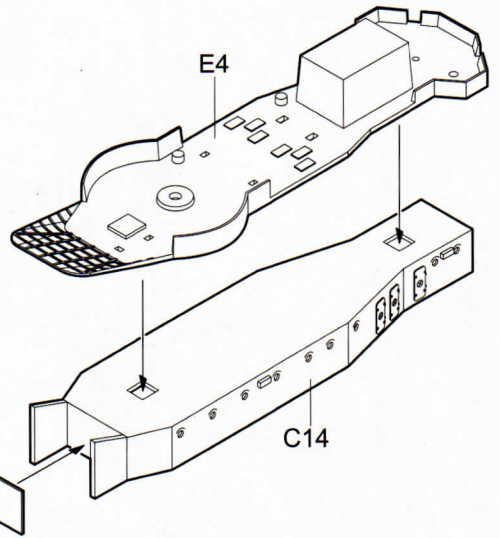
9



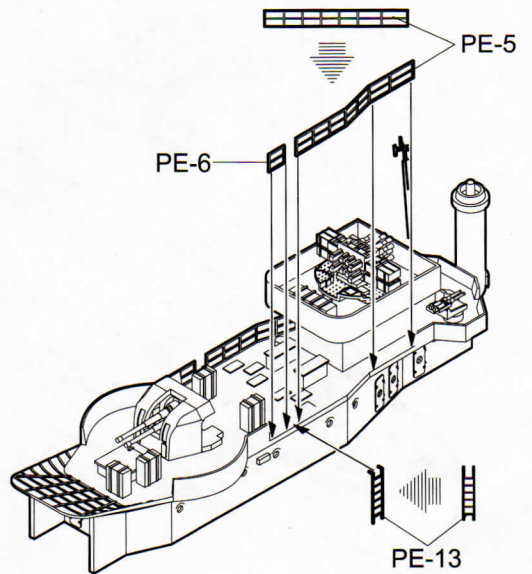
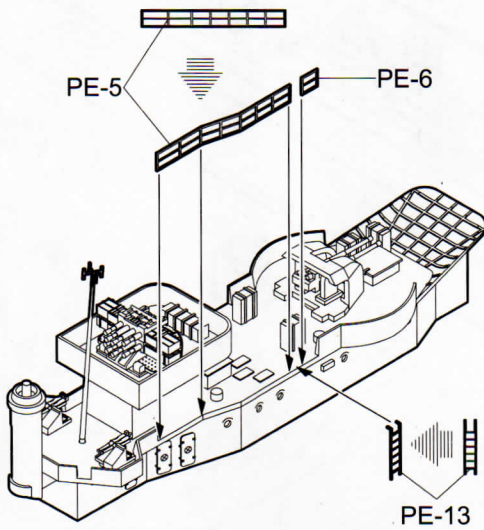
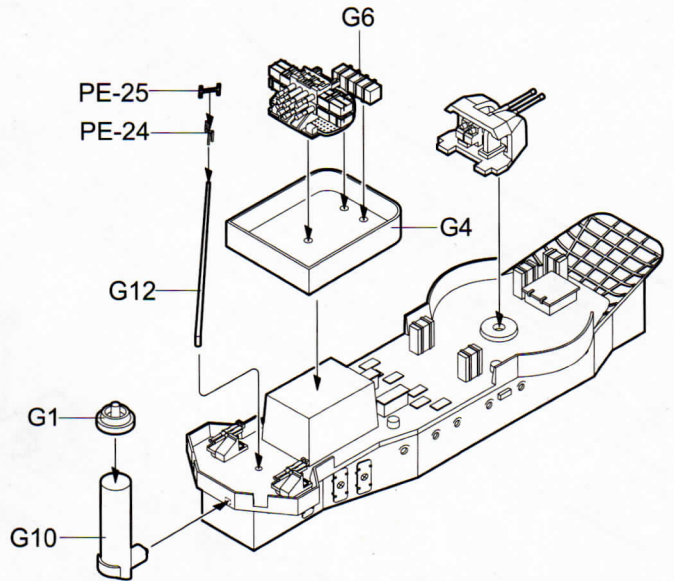
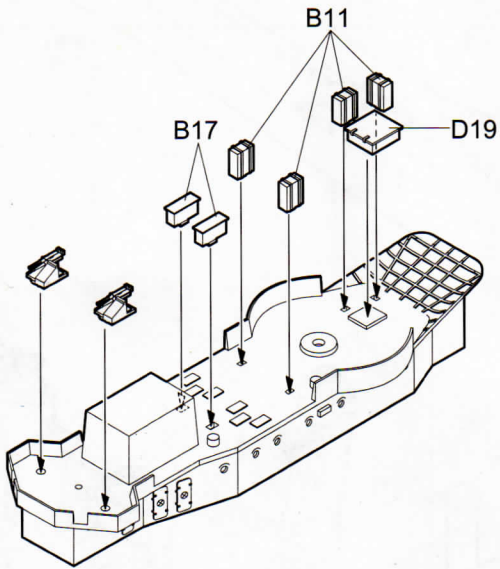
10

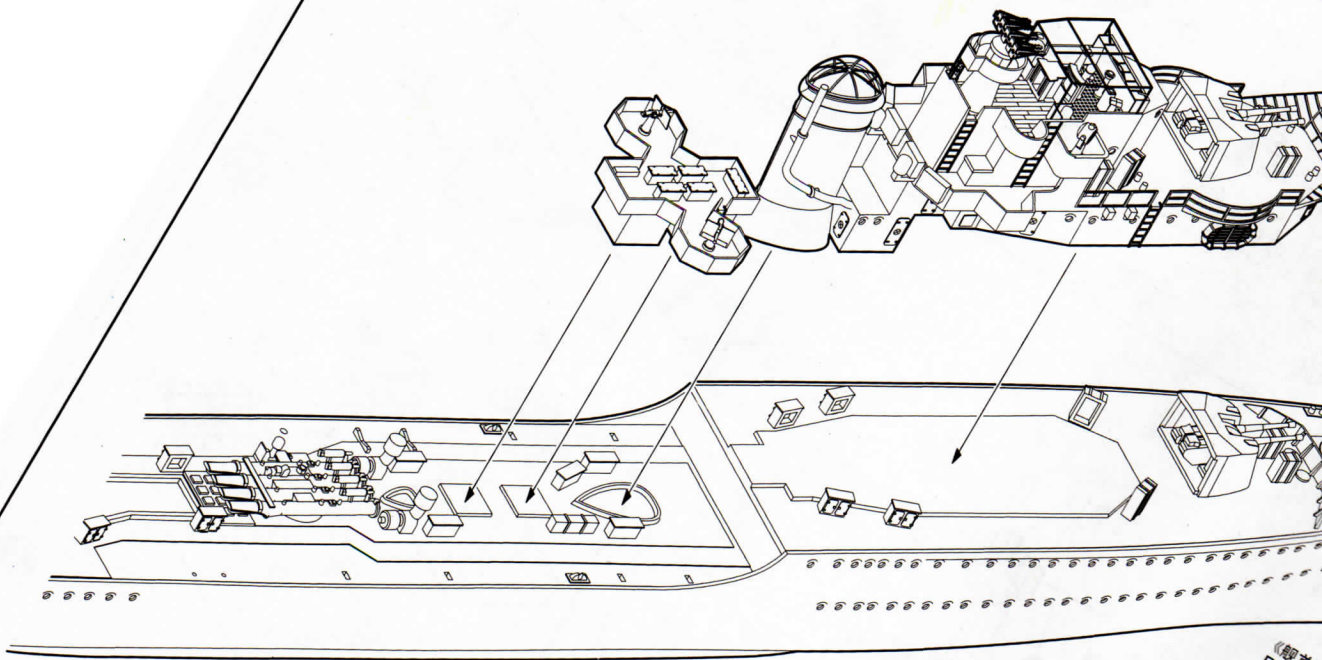


制作2套  
Make two

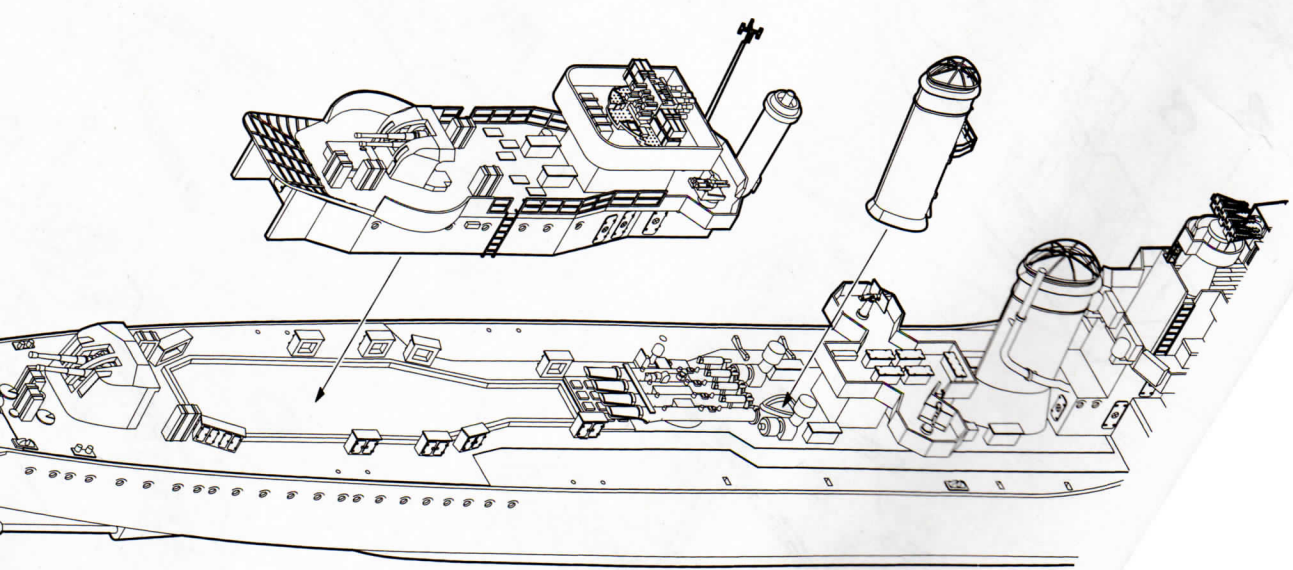


11



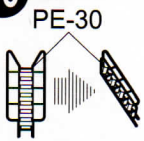


《艏首》  
BOW



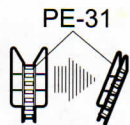
《艉首》  
BOW

13



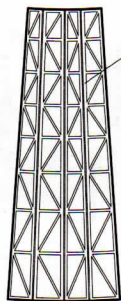
PE-30

制作2套  
Make two



PE-31

制作2套  
Make two



PE-20



PE-17



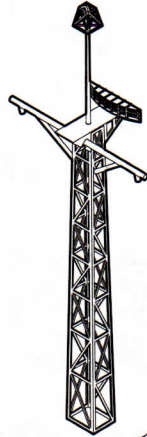
PE-26

G13

PE-3

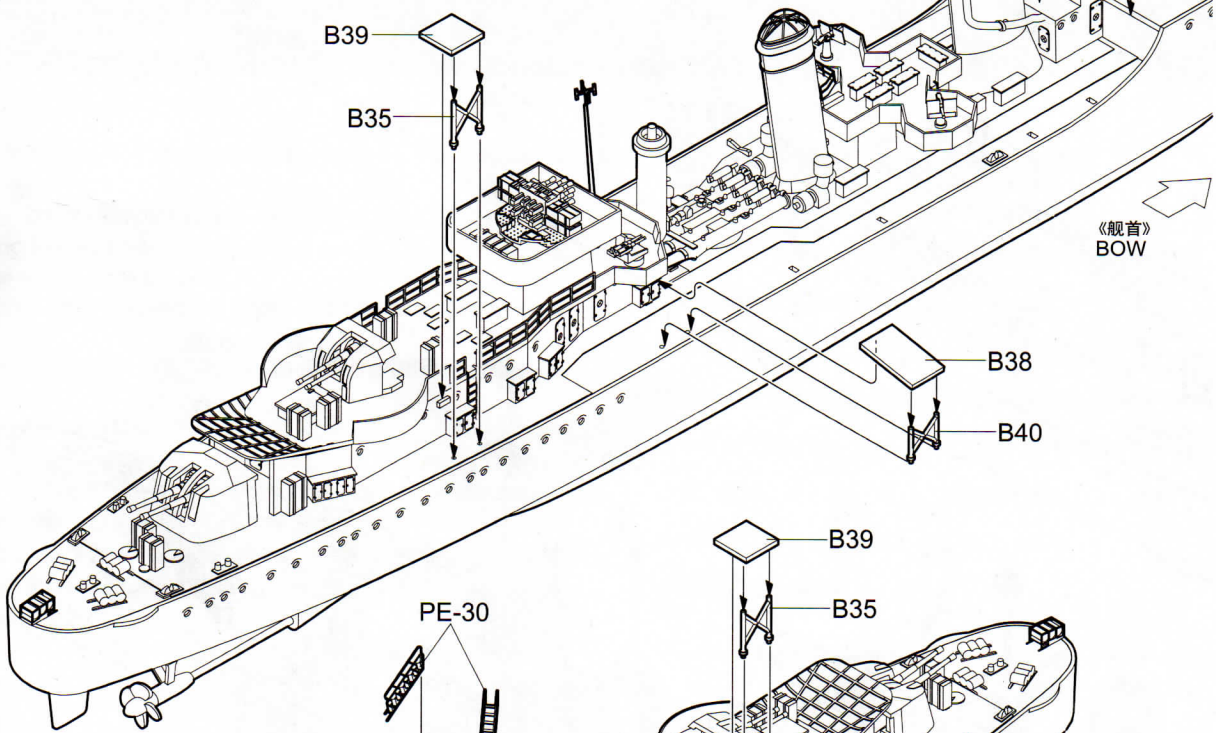


G11



PE-31

14



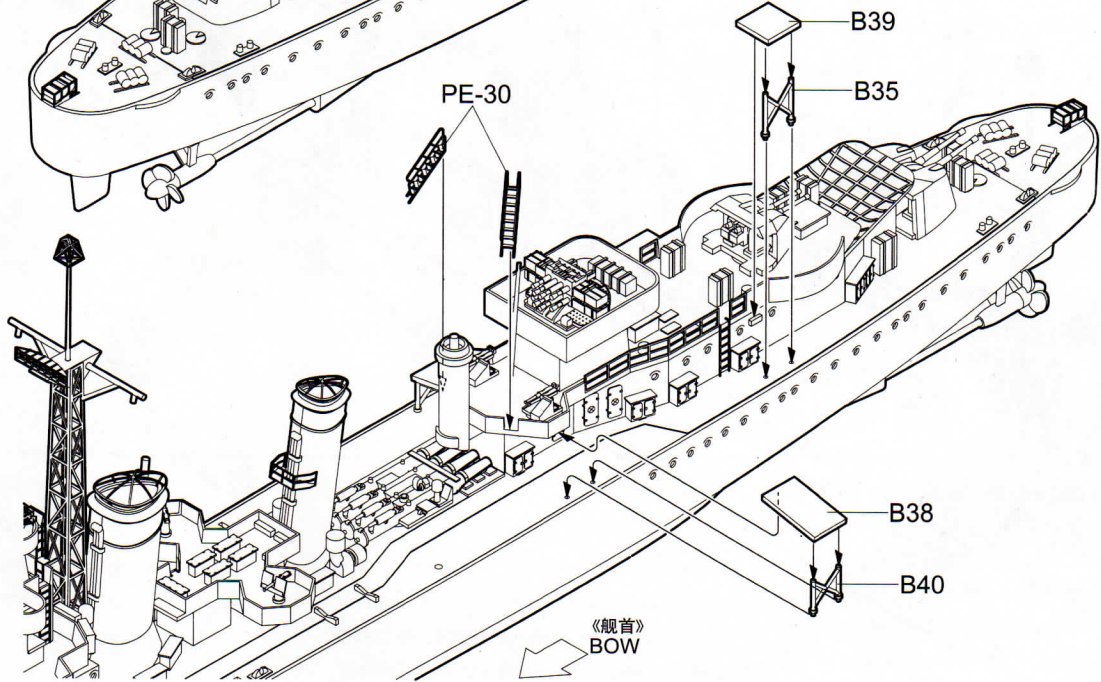
B39

B35

B38

B40

《舰首》  
BOW



PE-30

B39

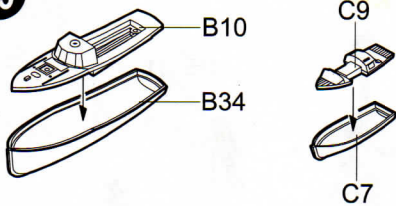
B35

B38

B40

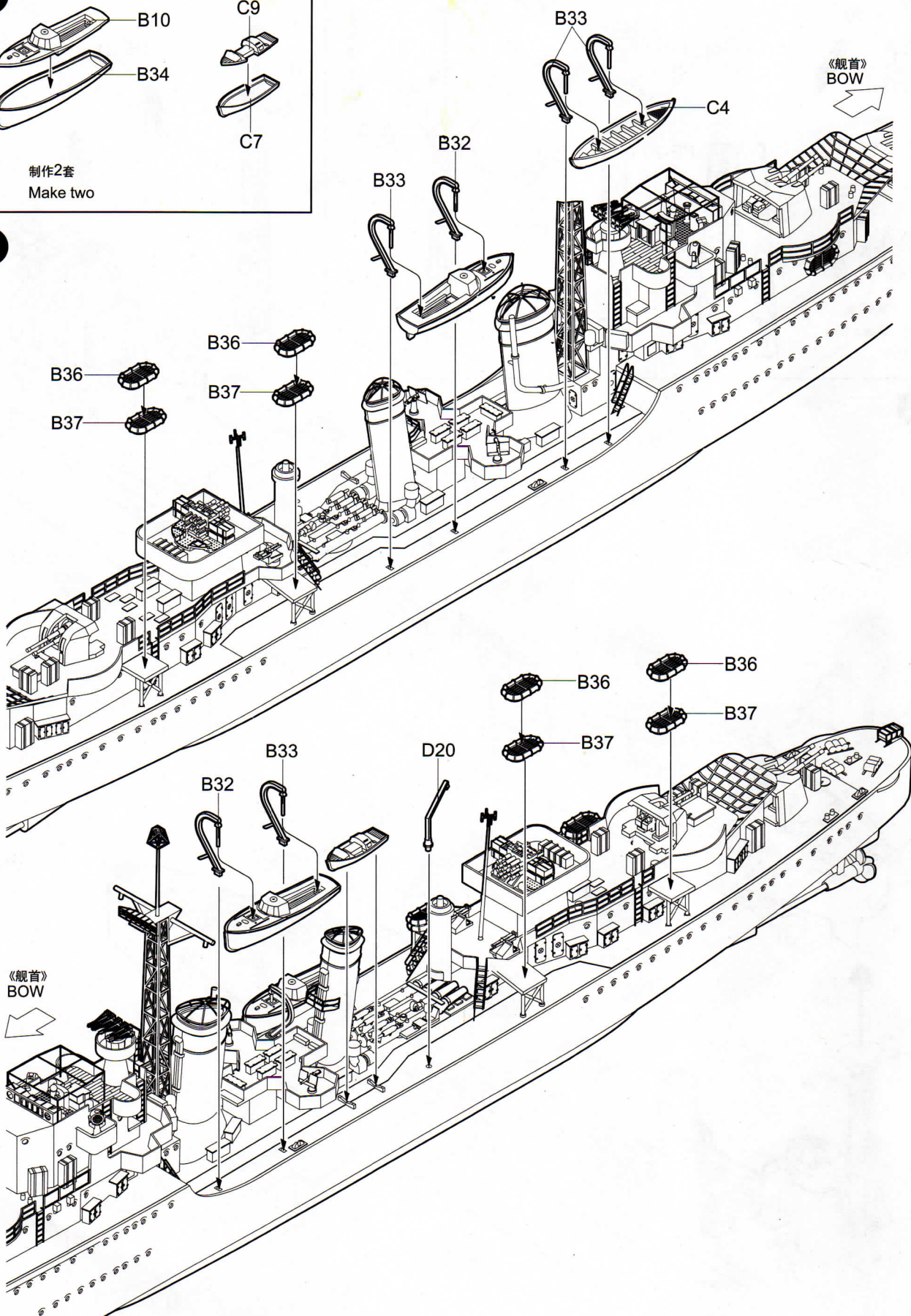
《舰首》  
BOW

15



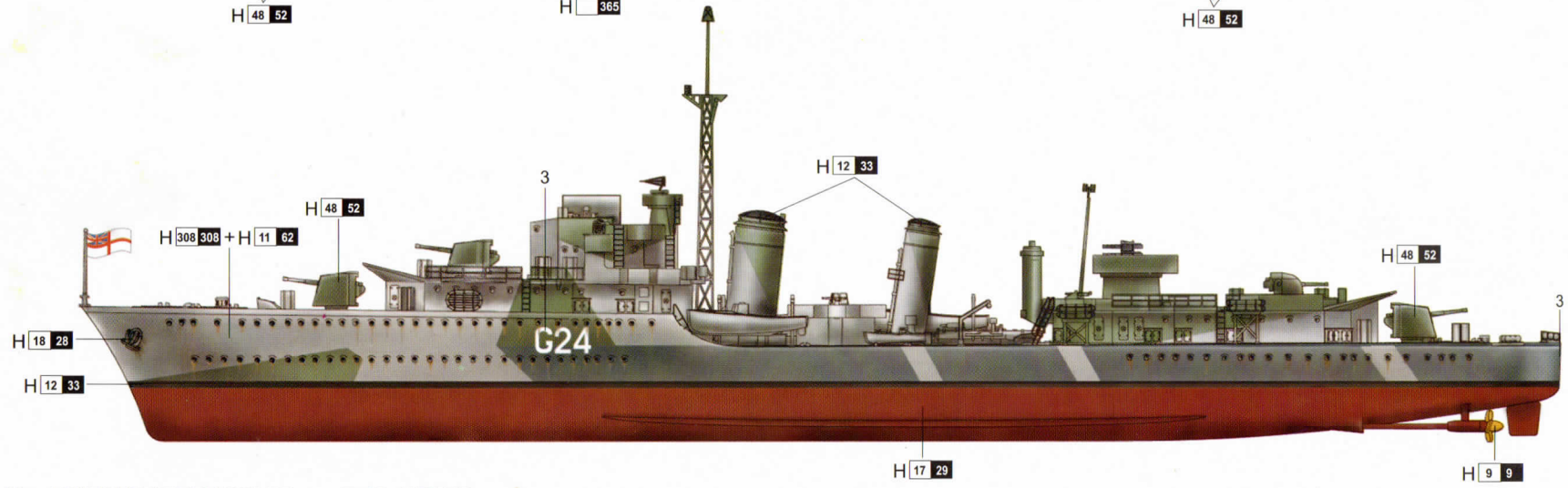
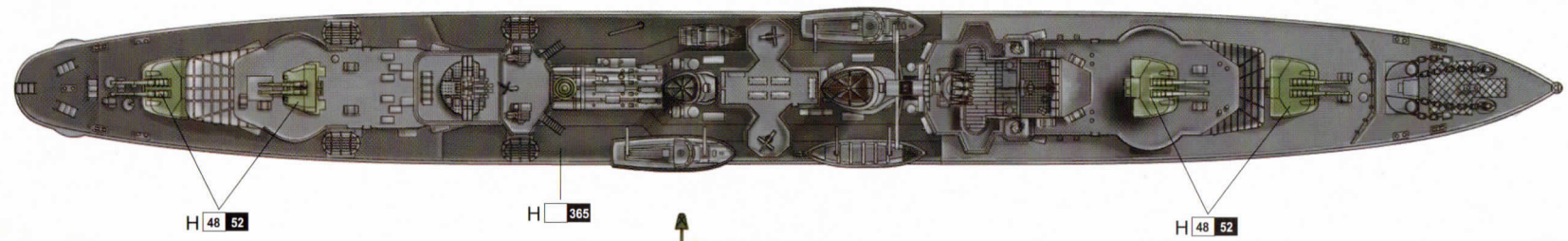
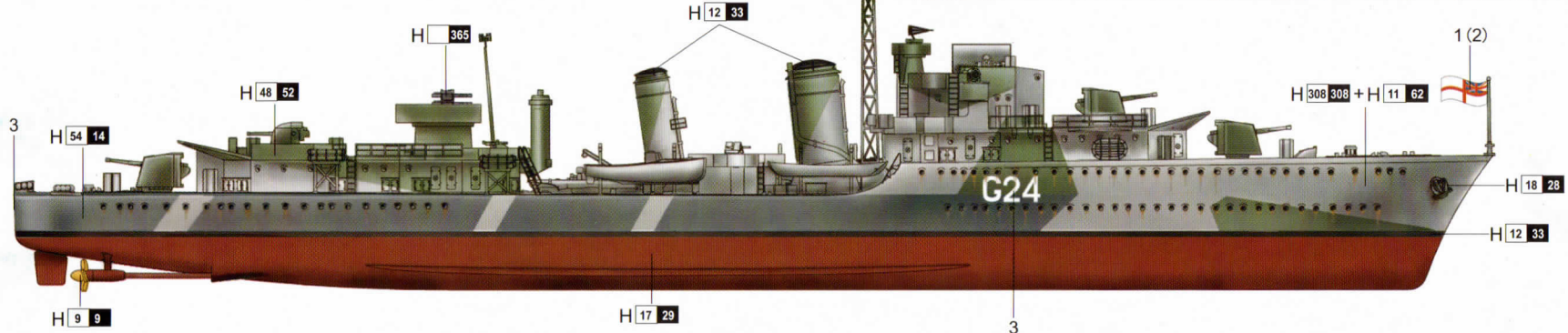
制作2套  
Make two

16



# 小顶帕尔回衣亦 Painting & Marking guide

Color	Mr.Hobby	Vallejo	Model Master	Tamiya	Humbrol	Color	Mr.Hobby	Vallejo	Model Master	Tamiya	Humbrol
Gold 金色	H 9 9	878	1744	X12	16	船体	H 18 28 + H 12 33	—	—	—	XF80
Cocoa Brown 赭底红	H 17 29	985	—	XF9	177	NAVY BLUE 深蓝	H 54 14	—	—	—	XF8+XF24
Tire Black 消光黑	H 12 33	950	1749	XF1	133	Deck Blue 甲板色	H 365	—	—	—	XF53
Metal Black 黑铁色	H 18 28	864	1402	—	—	Field Gray (Z) 田野灰(Z)	H 48 52	—	—	—	—



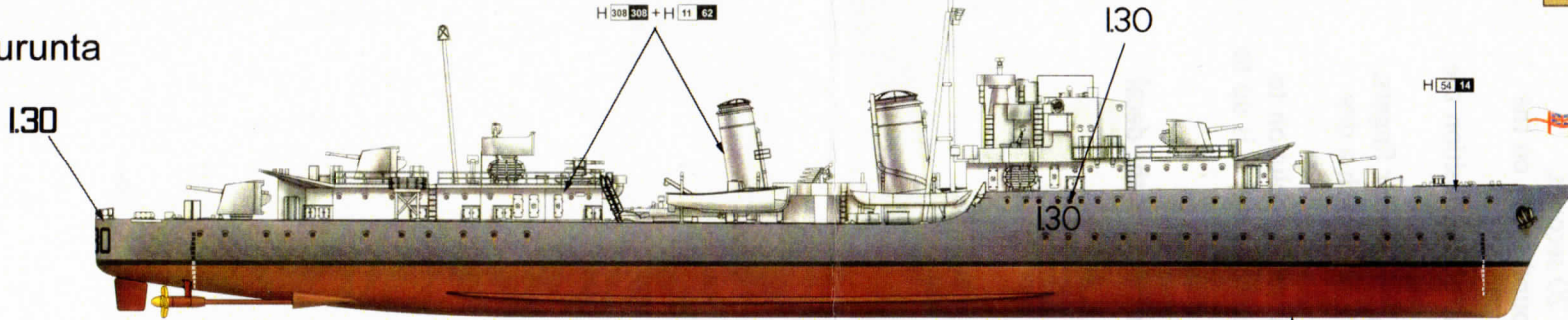
□ AQUEOUS HOBBY COLOR    ■ Mr. COLOR

05333 1/350 HMCS Huron Destroyer 1944

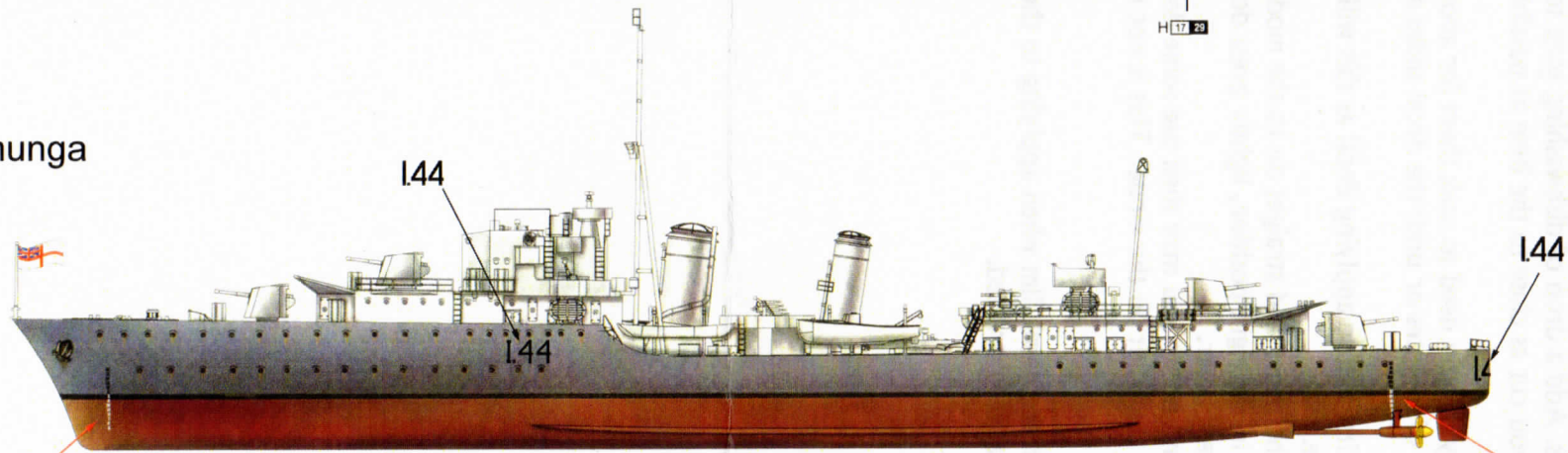
# HMAS TRIBAL CLASS DESTROYER

Color	Mr Hobby	Vallejo	Model Master	Tamiya	Humbrol	Color	Mr.Hobby	Vallejo	Model Master	Tamiya	Humbrol
White 白色	H[9 9]	878	1744	X12	16	船体 H[54 14]	H[54 14]	-	-	XF80	-
Cocoa Brown 赭色	H[17 29]	985	-	XF9	177	甲板 H[365]	H[365]	-	-	XF8+XF24	-
Tire Black 黑色	H[12 33]	950	1749	XF1	133	甲板 H[27 44]	H[27 44]	981	-	-	9

HMAS Aurunta



HMAS Warramunga



white decal numbers  
 XXI  
XX  
XIX  
XVIII  
XVII  
XVI  
XV  
XIV  
XIII  
XII  
XI  
X  
IX  
VIII  
VII  
VI  
V  
IV  
III

white decal numbers  
 XXI  
XX  
XIX  
XVIII  
XVII  
XVI  
XV  
XIV  
XIII  
XII  
XI  
X  
IX

HMAS Bataan

