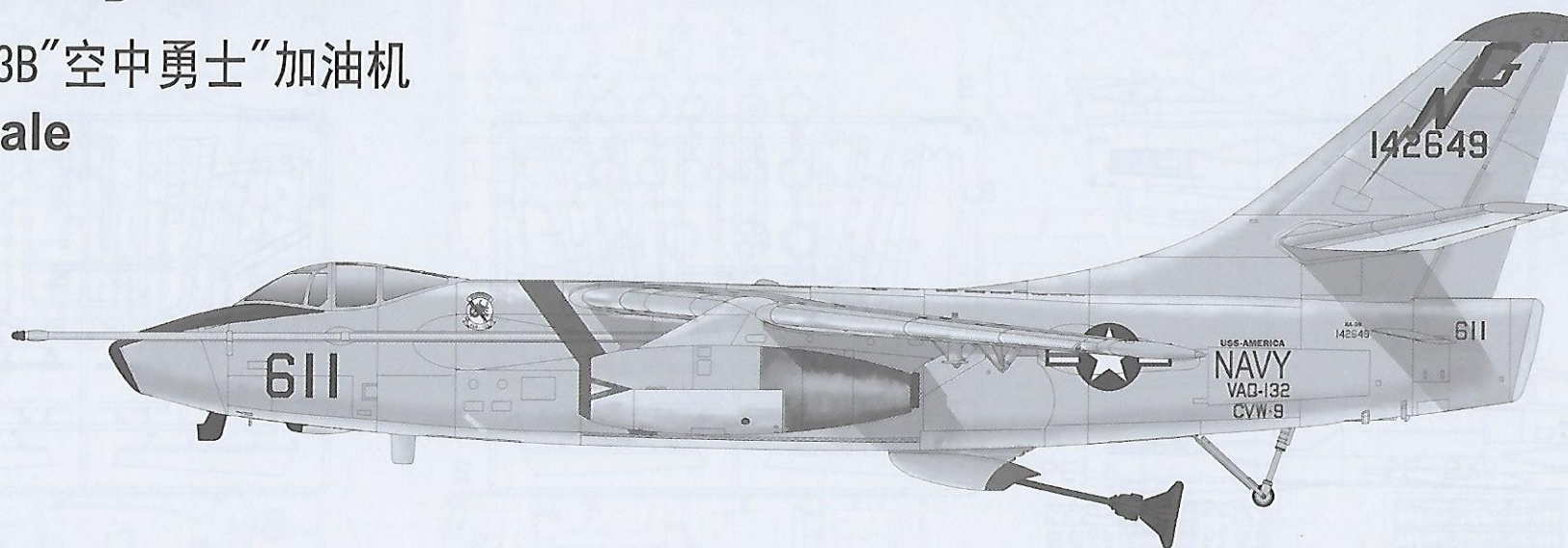


KA-3B Skywarrior

Item No.: 02869

美国KA-3B“空中勇士”加油机

1/48 scale



READ BEFORE ASSEMBLY:

- This kit is not recommended for inexperienced modelers or for children under 14 years of age
- Study and understand these instructions thoroughly before beginning assembly
- When needed, remove photo-etch parts carefully using a modeling knife or photo etch sprue cutter, being careful not to damage or lose small parts.
- Take extra care in handling photo etch parts in order to avoid injury
- Apply instant cement sparingly to photo etch parts where instructed

- Tools recommended(not included in kit):Plastic and instant cements,sprue cutters,long nose pliers,,modeling knife, small files, tweezers, pin vise & scissors. Soft cloth and sandpaper will also assist in construction
- Glue and paint are not included in the kit. Use plastic cement and hobby paints only. Color guide for purchasing paint is included in the kit.
- Keep out of reach of small children. They must not be allowed to ingest small parts or handle plastic bags in any way.

装配之前仔细阅读

- 小心用模型锉刀锉平所有零件表面的注射浇口。
- 小心用刀片切下蚀刻片零件，不要遗失小零件。
- 用强力快干胶水粘合蚀刻片零件和金属轴。过量的快干胶水使用可能导致可动零件会粘住，小心涂胶。
- 取蚀刻片时应特别注意安全，防止利边划伤手指。
- 某些零件表面需贴上水贴纸，请选择在装配的同时进行。
- 推荐模型工具(自备)：胶水，水口剪刀，长咀钳，刀片，锉刀，镊子钳，钻，剪刀，瞬间快干胶。
- 软布同砂纸同时也应该是必备工具。
- 请使用塑料胶水和油漆，模型内不含。
- 谨防小孩吸吮塑料零件，或者将塑料袋套在头上，制作时应将套材远离小孩接触。
- 本产品不适合14岁以下没有经验的模型爱好者。

水贴纸的使用:

1. 从水贴上剪下印花;
2. 将印花放入温水中浸10秒，然后放在干净布上。
3. 拿着印花纸板将印花移到模型上;
4. 手指蘸水将印花移到适当的位置;
5. 用软布轻压印花直至水干，汽泡消失。

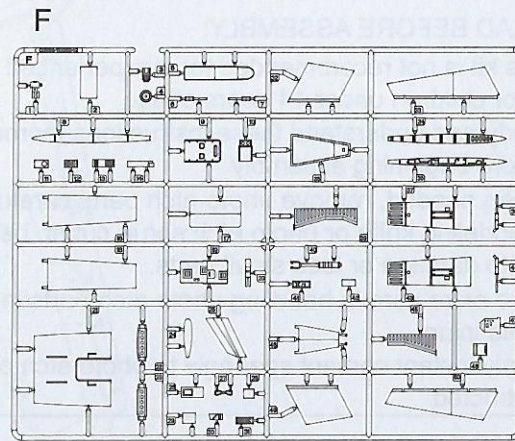
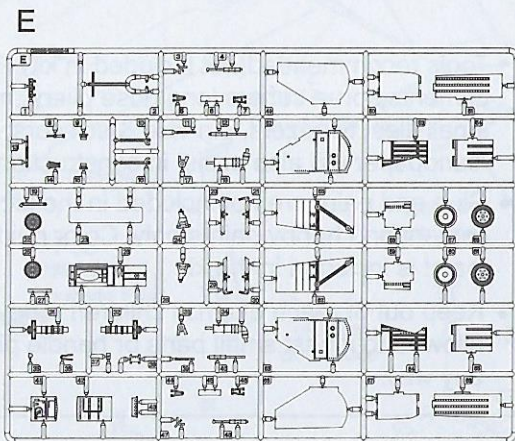
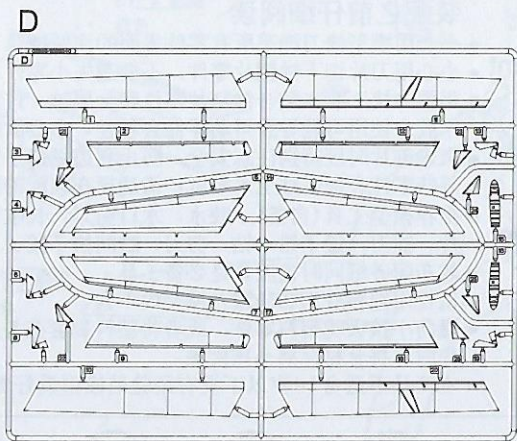
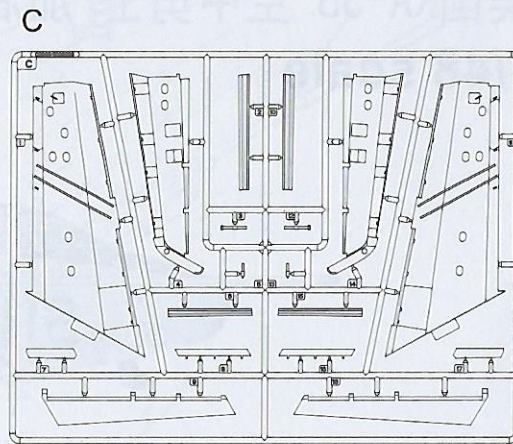
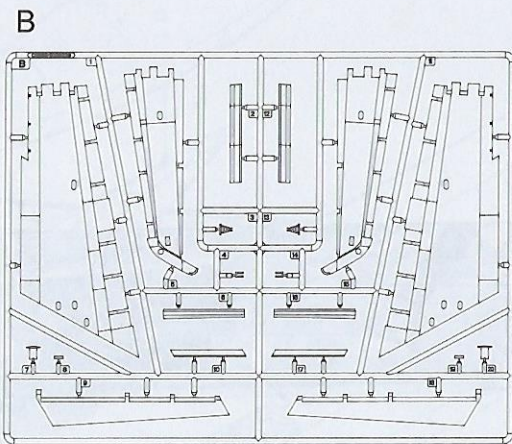
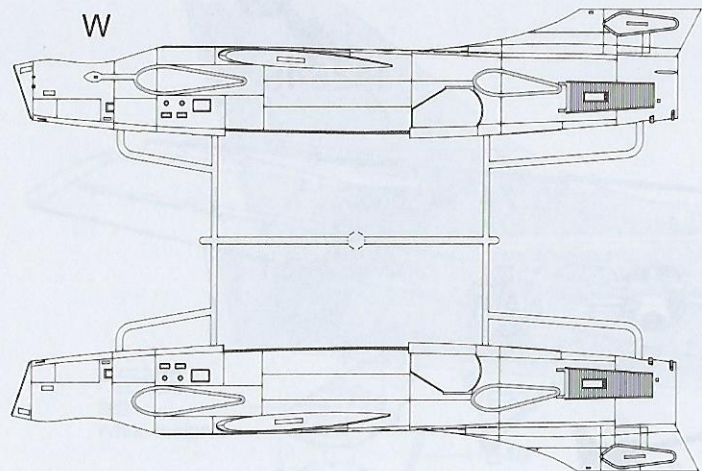
DECAL APPLICATION:

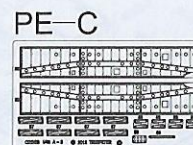
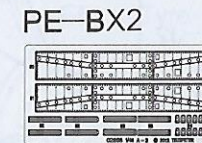
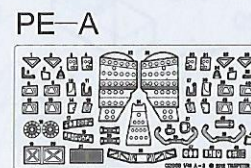
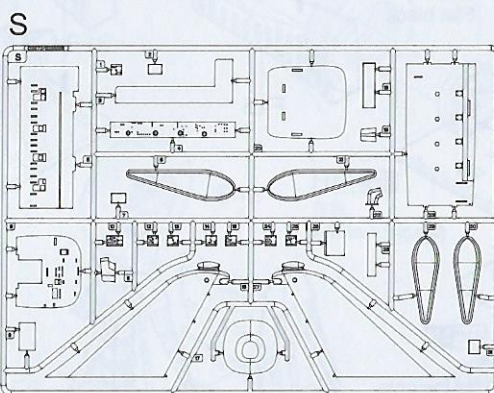
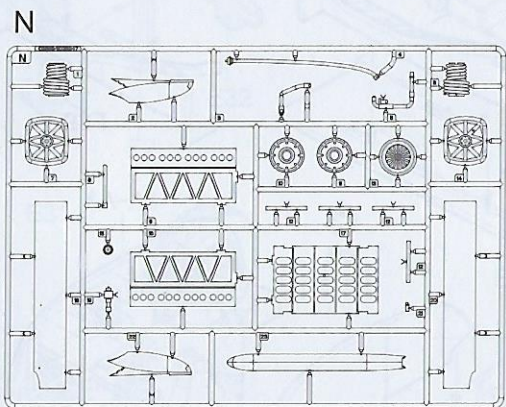
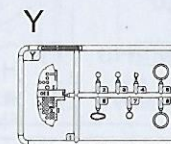
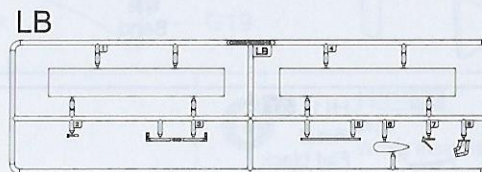
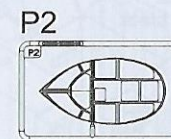
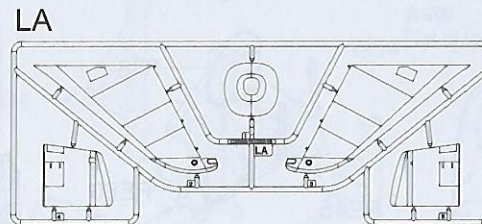
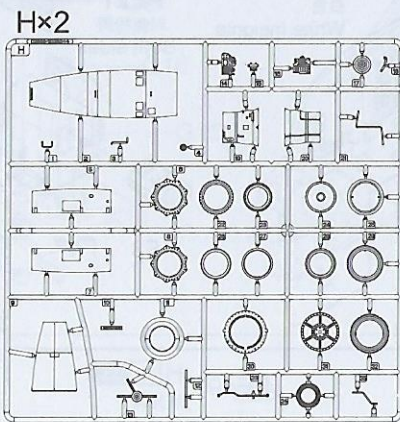
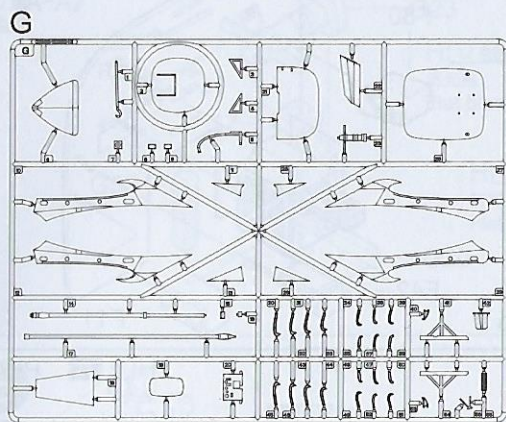
1. Cut decals from sheet as needed
2. Dip the decal in warm water for about 10 seconds and then place on soft clean cloth.
3. Hold the decal backing sheet edge and gently slide the decal onto the model in its proper position.

4. While still wet,decal can be adjusted for better fit on model by dampening it gently with your finger.
5. When placed in the proper position,gently press decal down with a soft cloth until excess water and air bubbles are gone.
6. Allow decal to dry completely before handling model

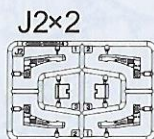
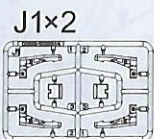


部品图
Parts

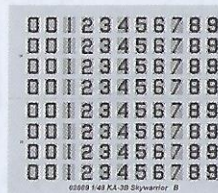




前轮 × 1 后轮 × 2
 Nose tyre × 1 Main tyre × 2

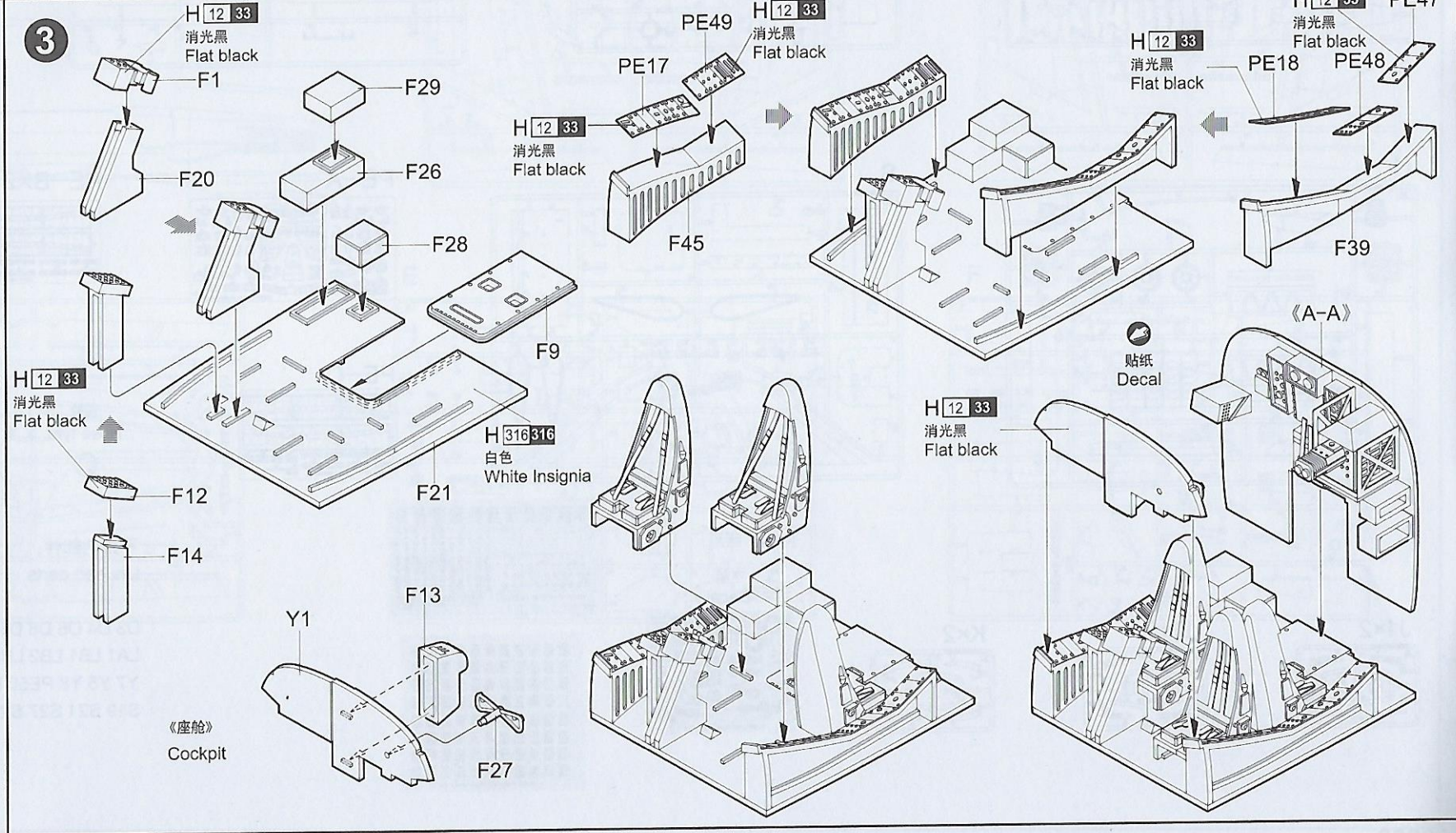
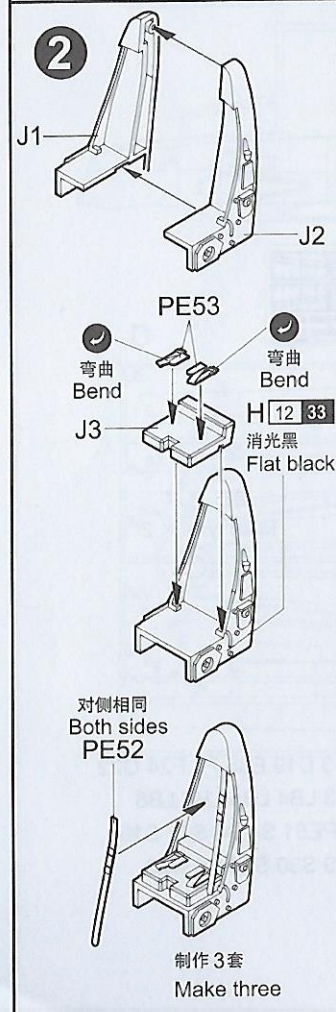
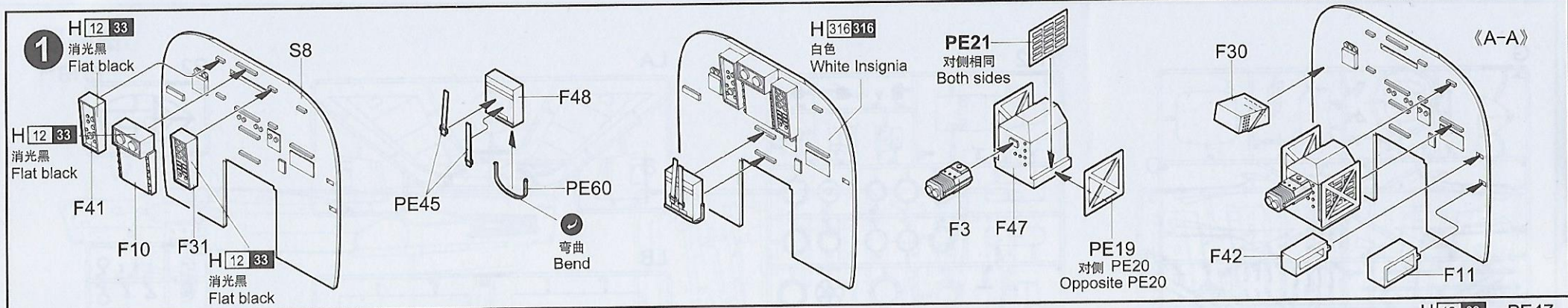


水贴
 Decal



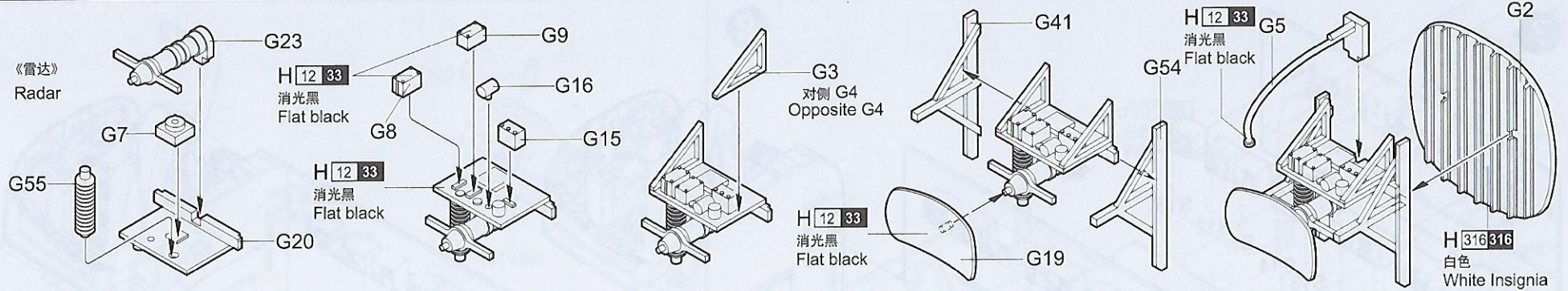
不用的部件:
 Unused parts

D3 D4 D6 D8 D13 D19 E35 F5 F24 G22
 LA1 LB1 LB2 LB3 LB4 LB5 LB7 LB8
 Y7 Y5 Y8 PE50 PE51 S4 S6 S11 S16
 S19 S21 S27 S29 S30 S31 N8 N23

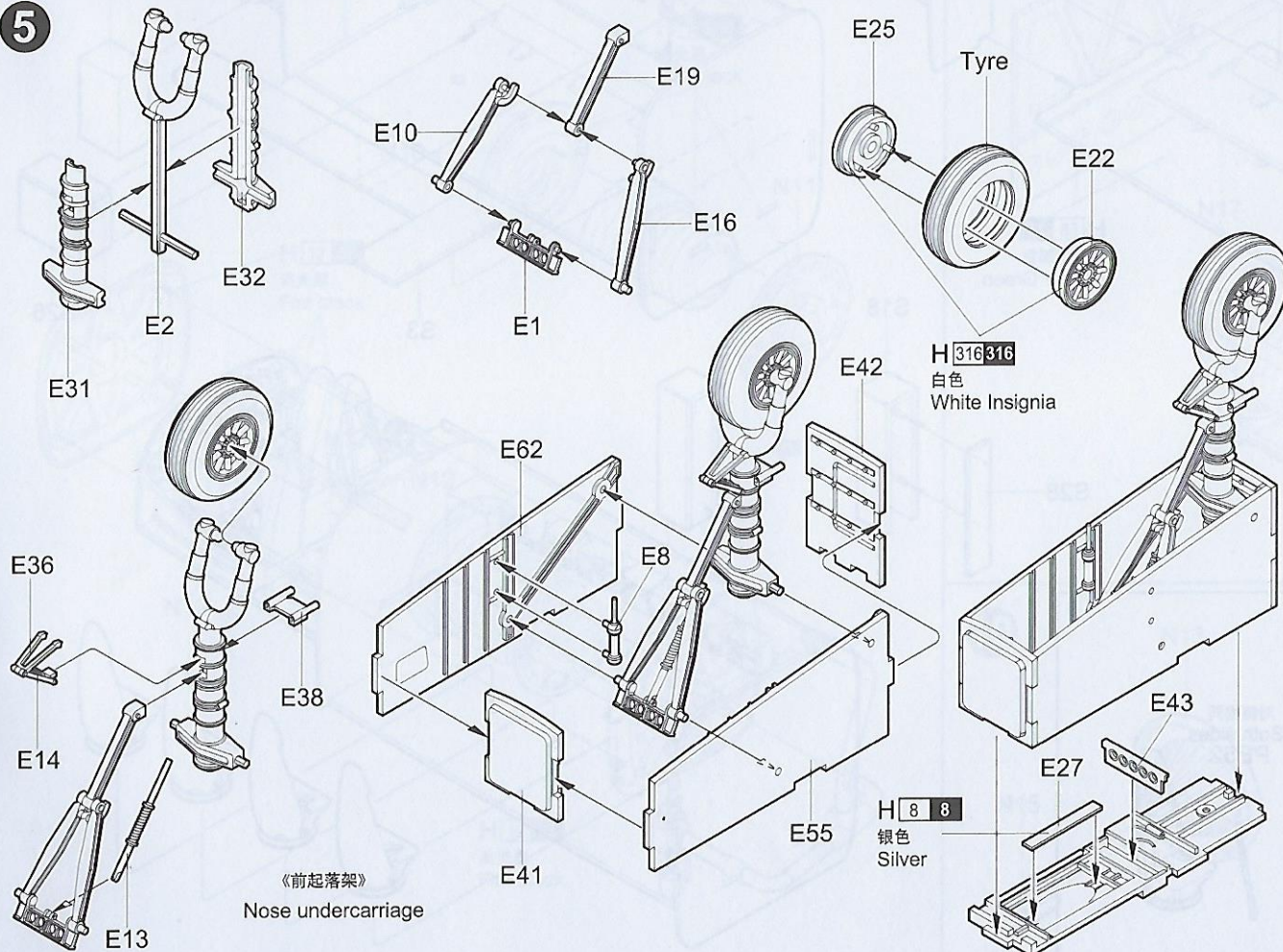


4

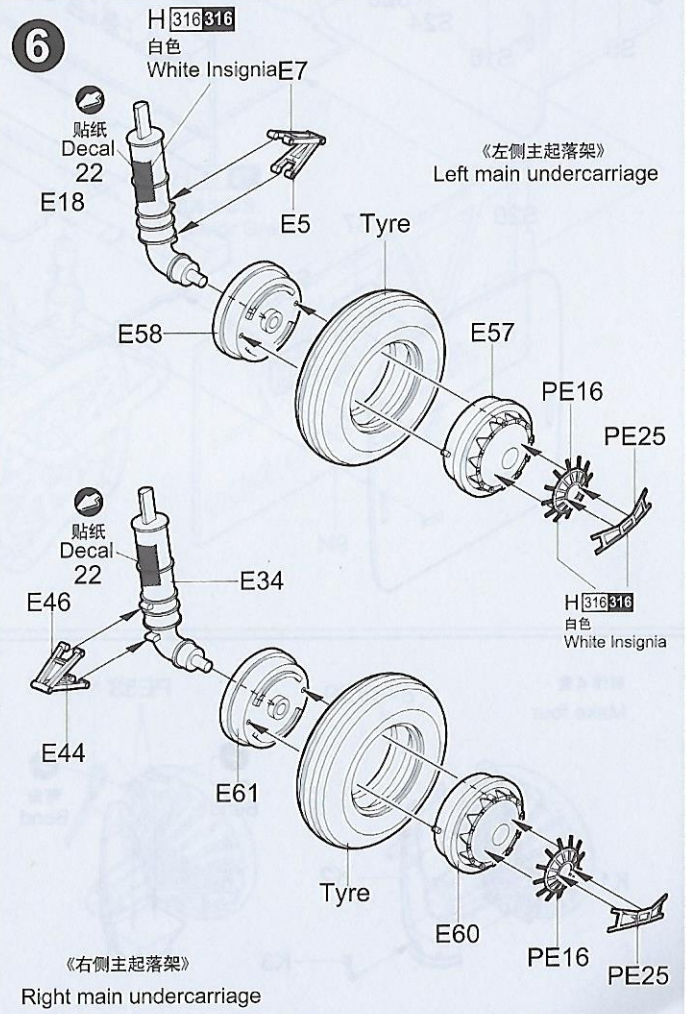
《雷达》
Radar



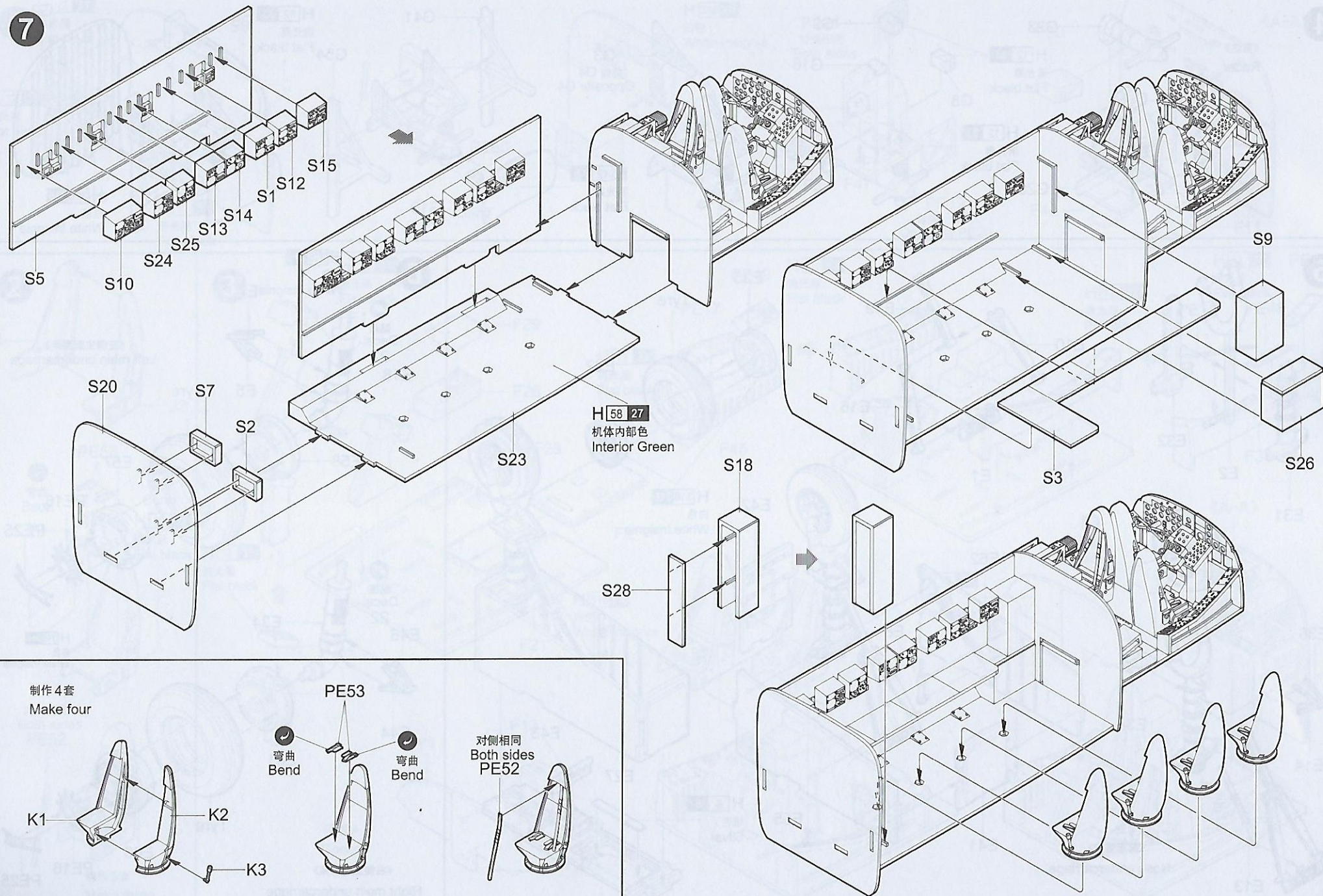
5



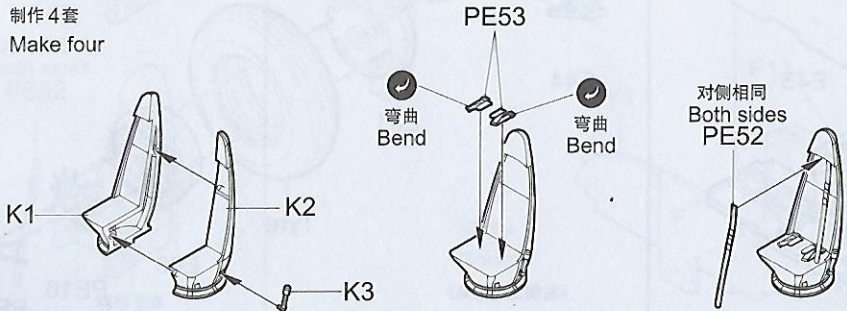
6



7



制作4套
Make four

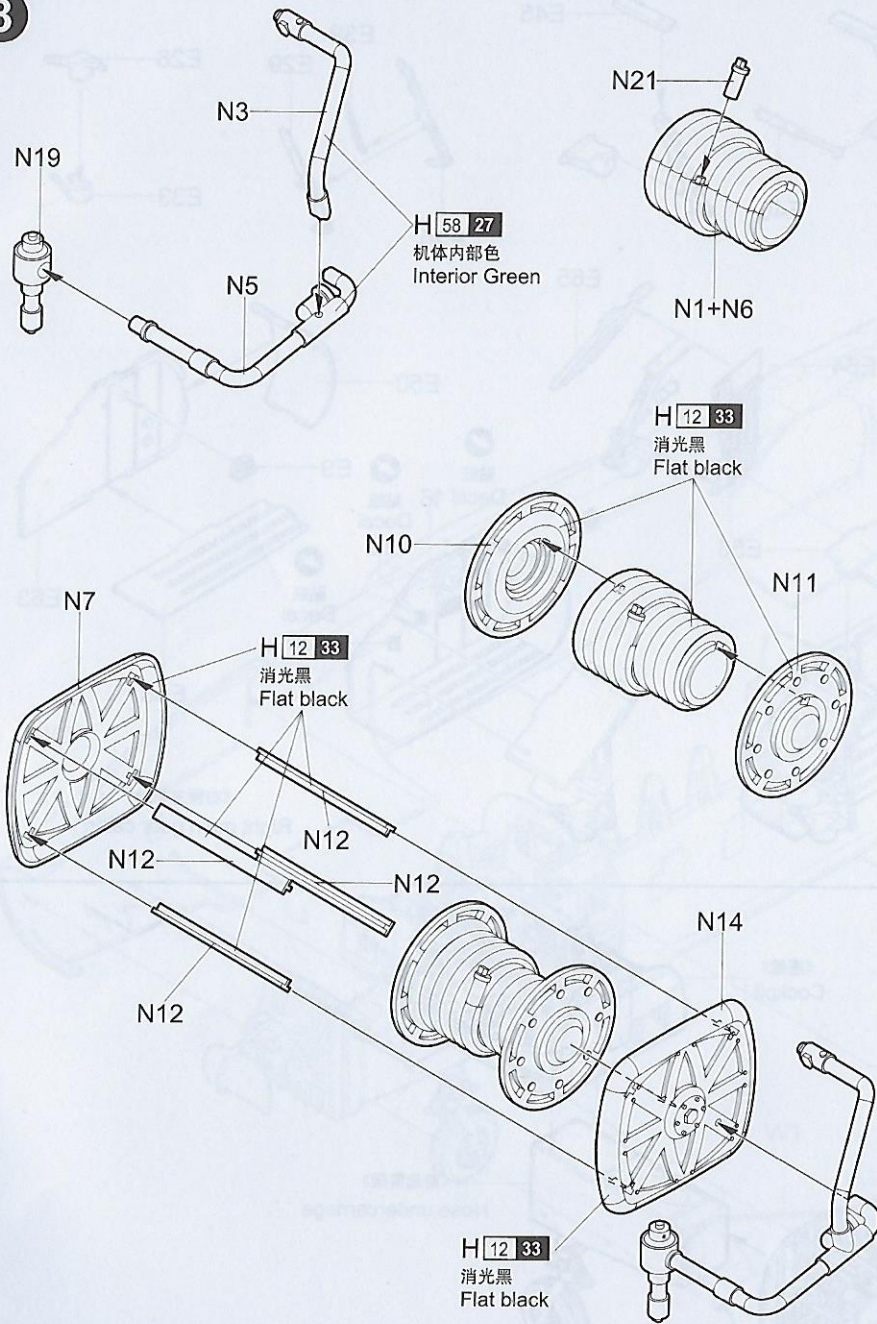


弯曲
Bend

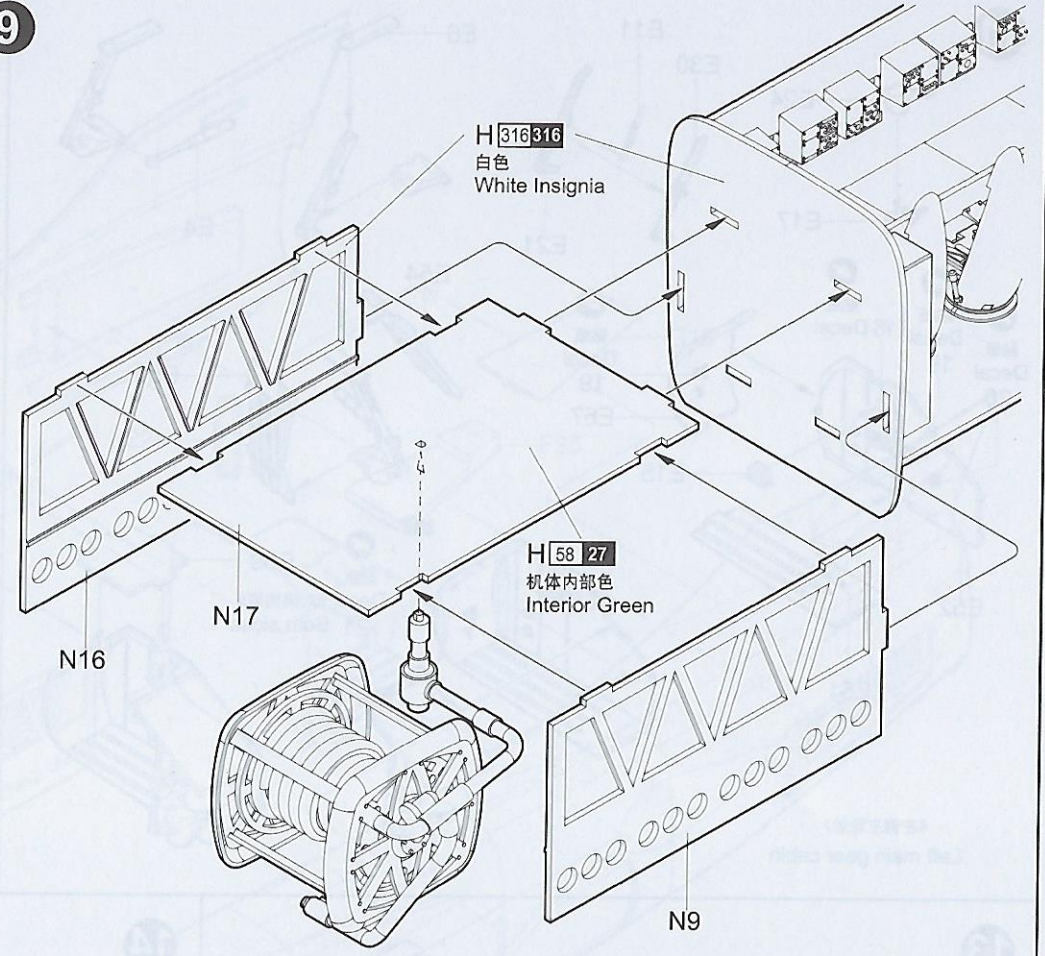
弯曲
Bend

对侧相同
Both sides
PE52

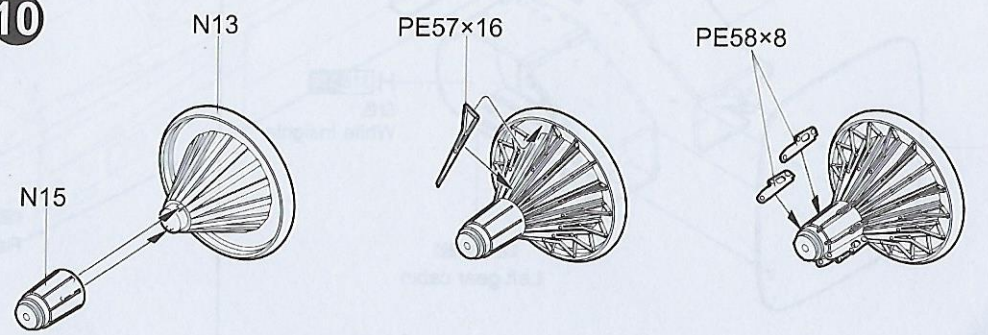
8



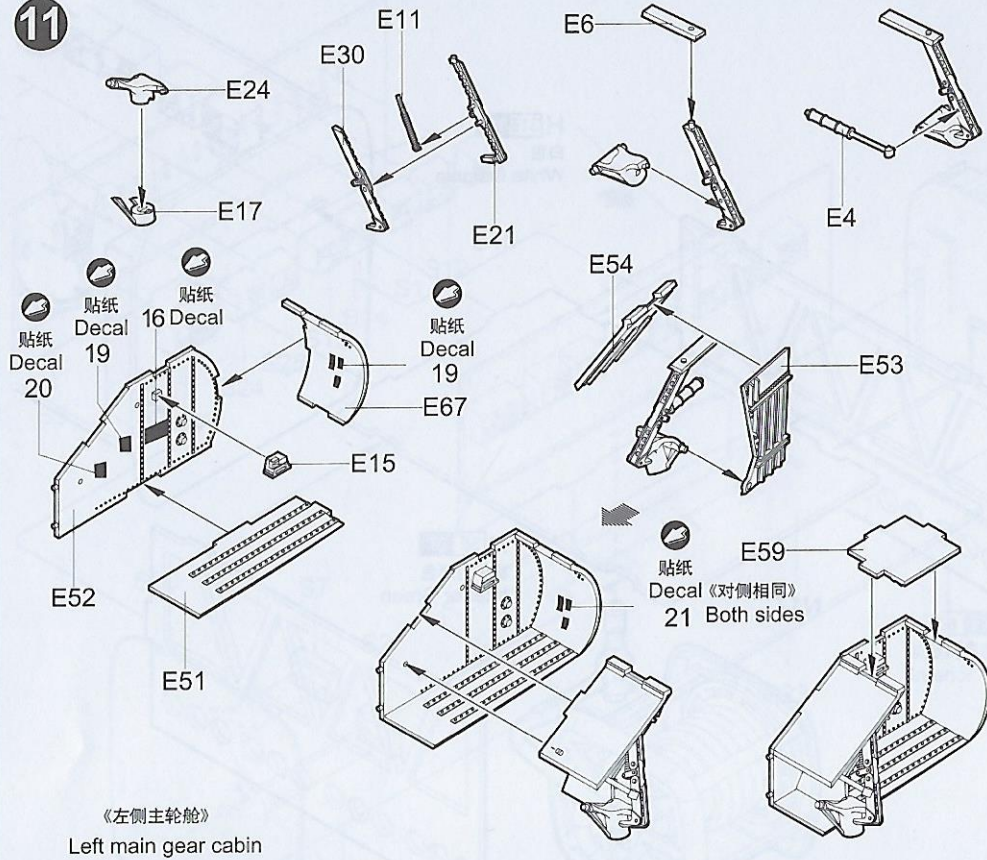
9



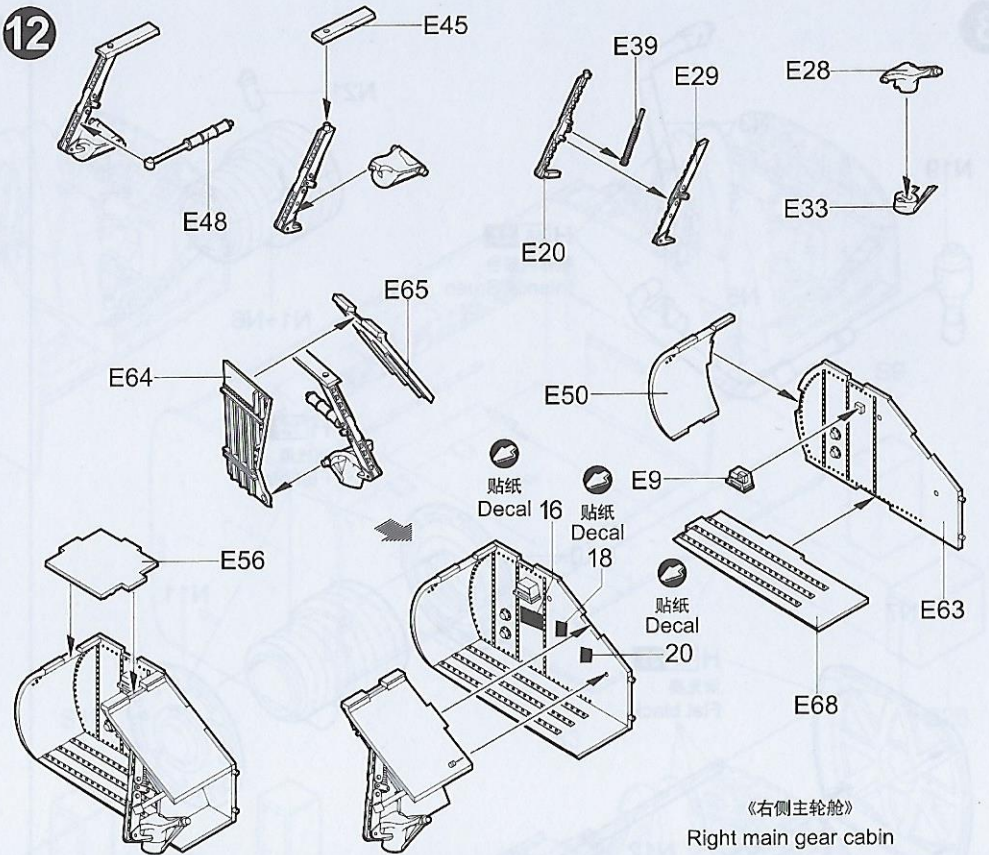
10



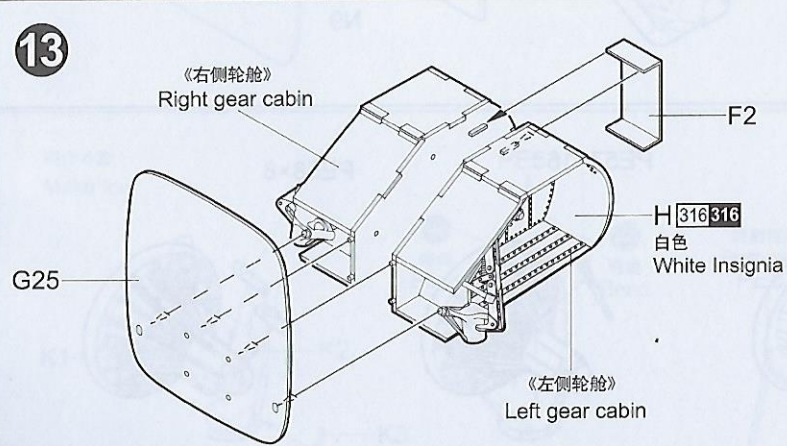
11



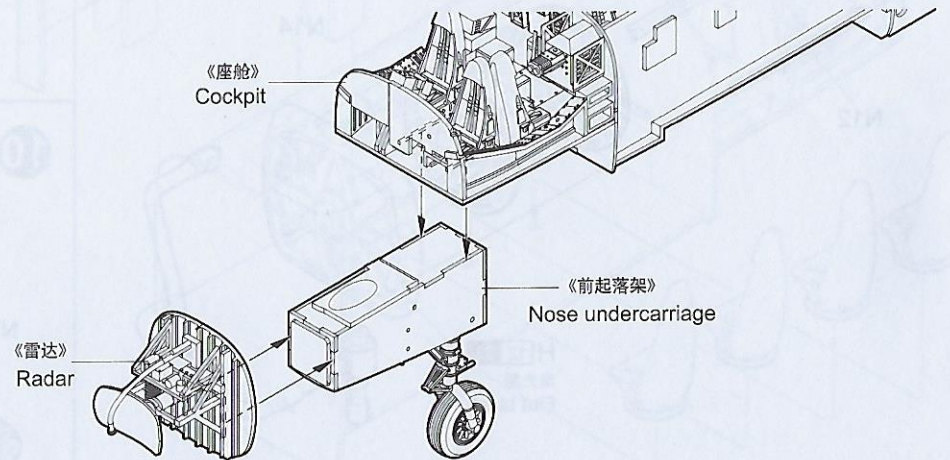
12

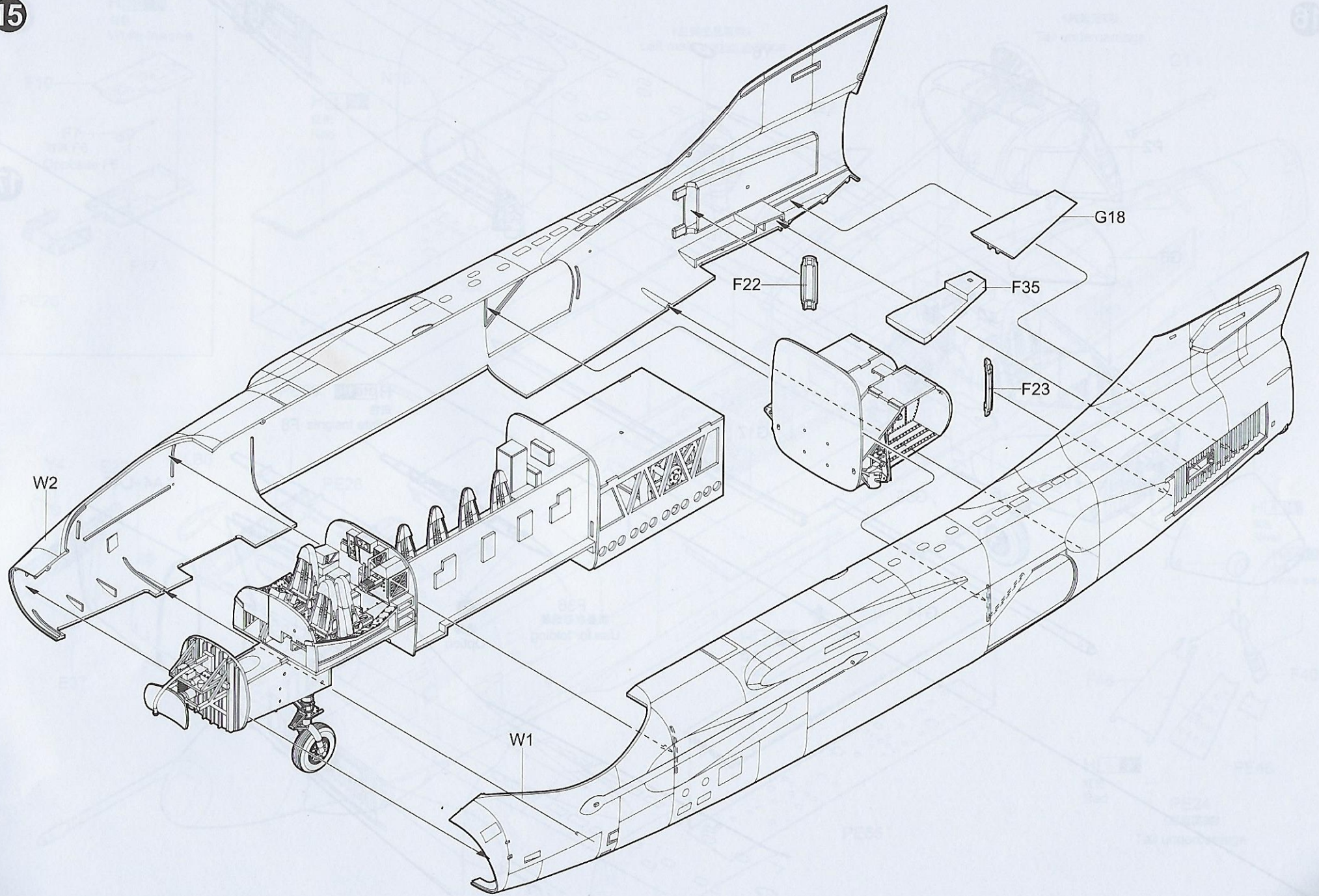


13

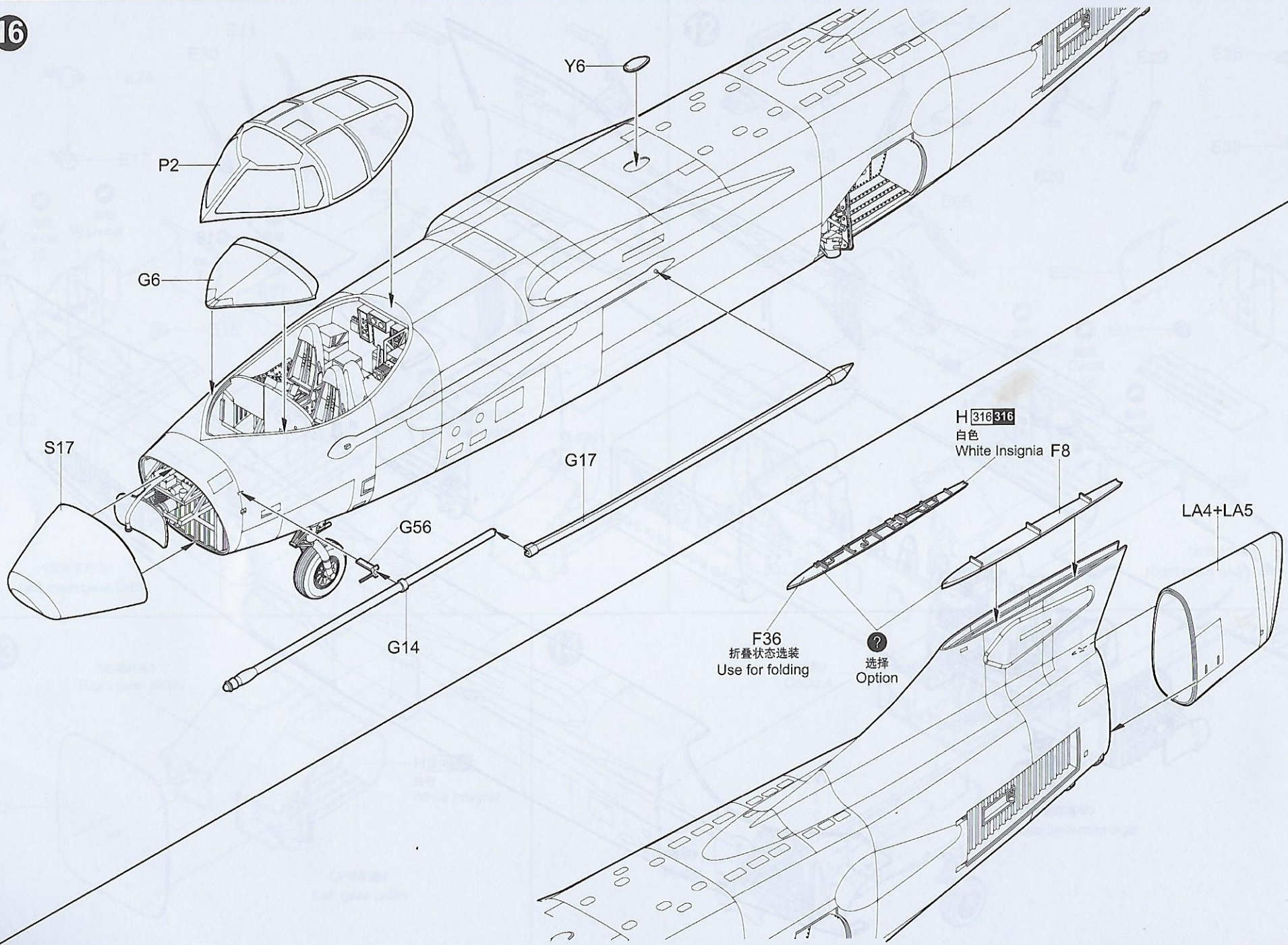


14





16



17

H 316 316
 白色
 White Insignia F8

F36
 折叠状态选装
 Use for folding

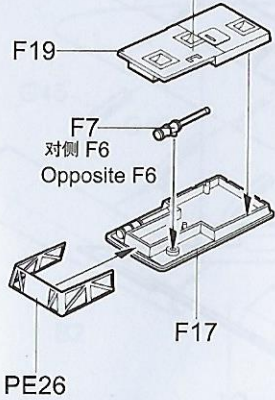
⊙
 选择
 Option

LA4+LA5

18

H 316 316

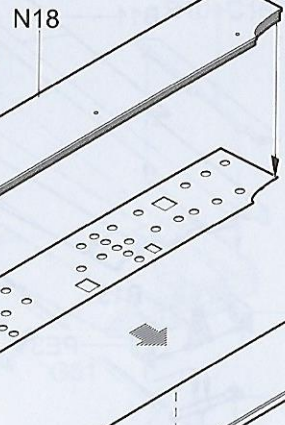
白色
White Insignia



19

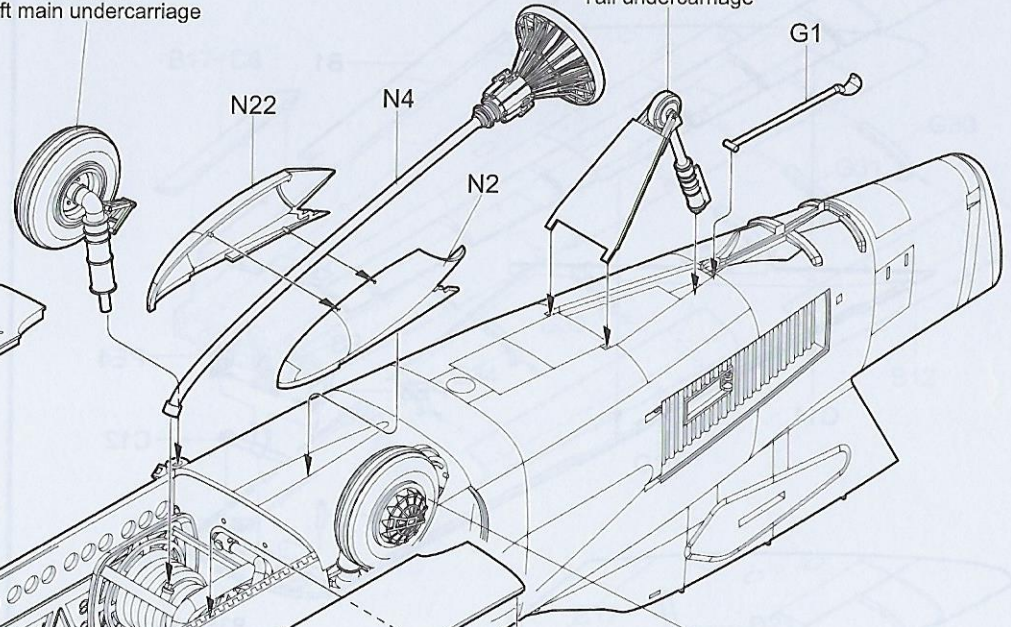
H 3 3

红色
Red



《左侧主起落架》
Left main undercarriage

《尾起落架》
Tail undercarriage



Y4

E23

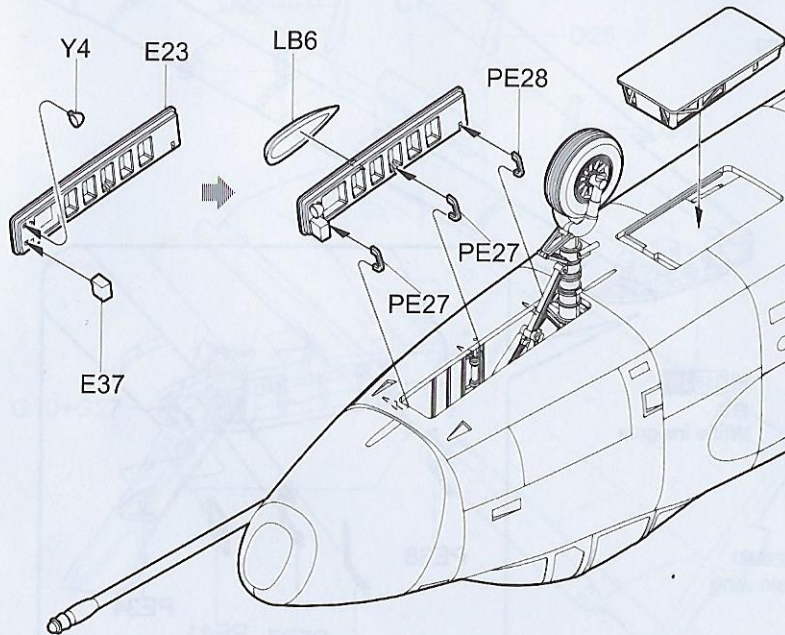
LB6

PE28

PE27

PE27

E37



《右侧主起落架》
Right main undercarriage

H 8 8

银色
Silver

H 316 316

白色
White Insignia

F4

F46

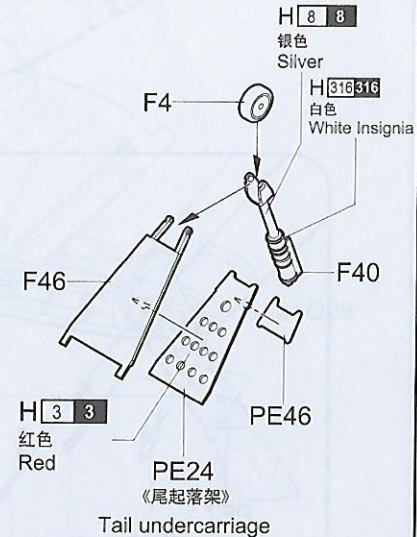
F40

H 3 3

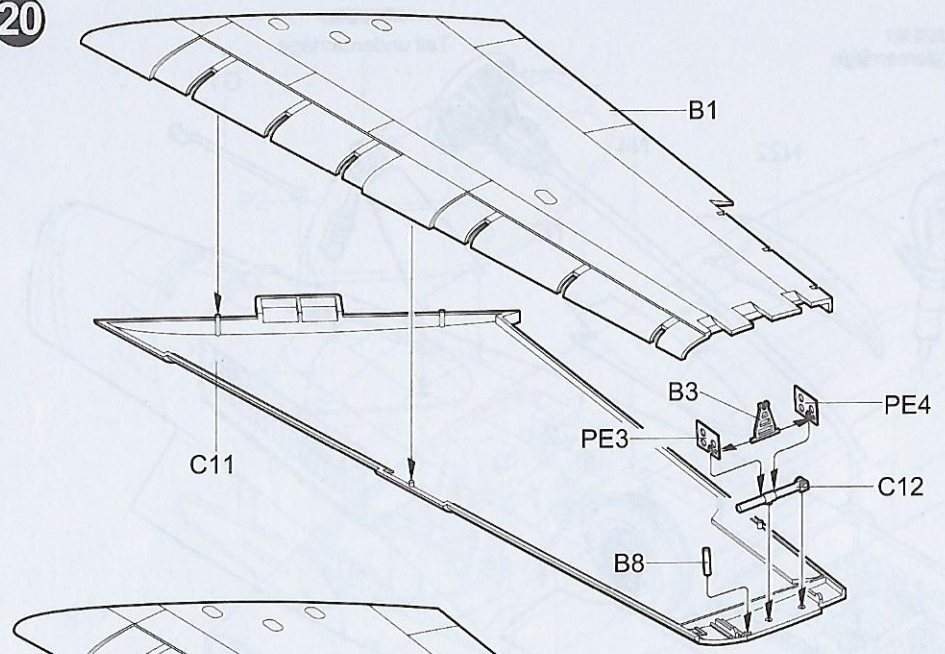
红色
Red

PE24

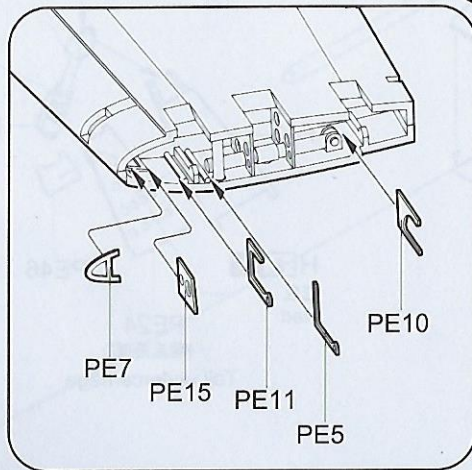
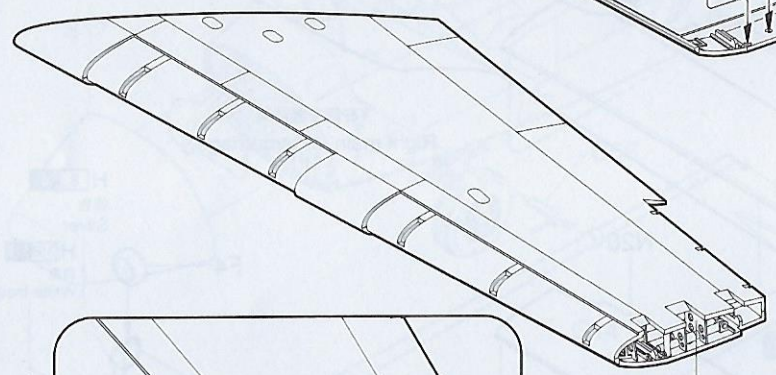
《尾起落架》
Tail undercarriage



20



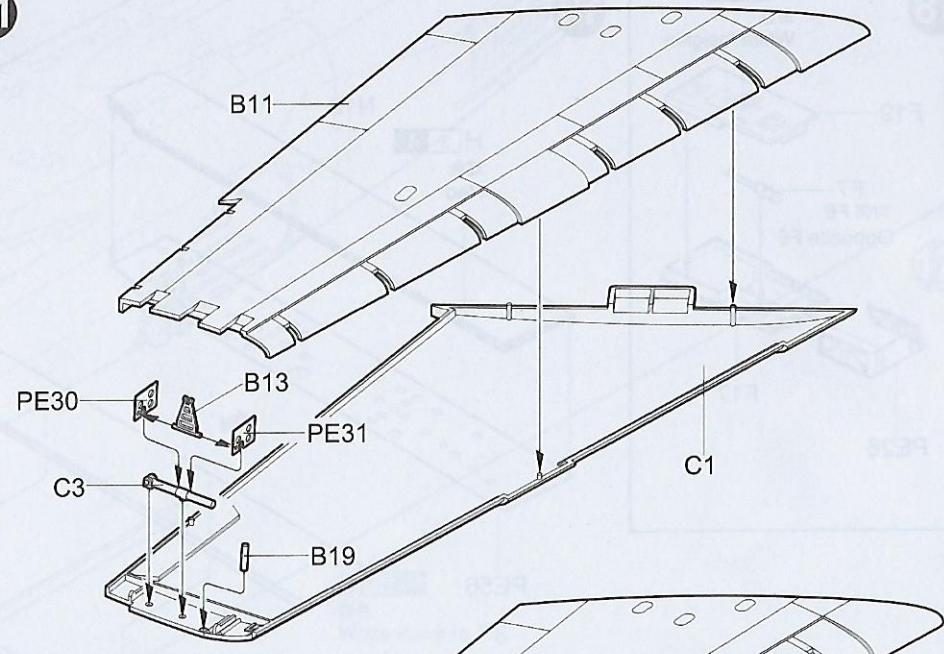
B3为折叠状态选装
B3 is use for folding



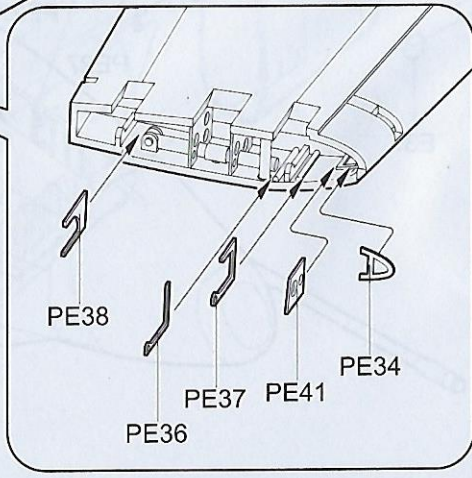
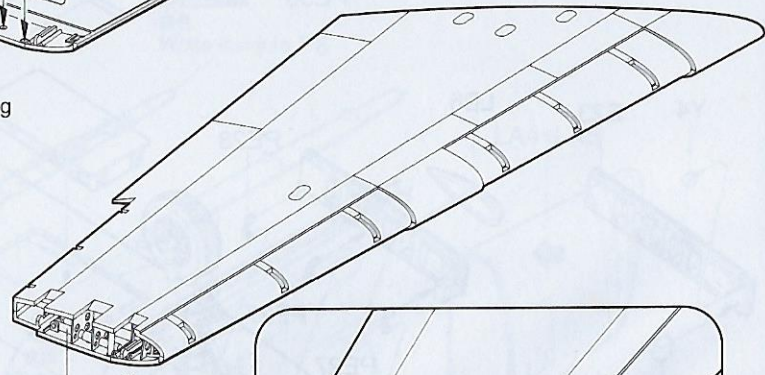
H 316 316
白色
White Insignia

《左侧主机翼》
Left main wing

21



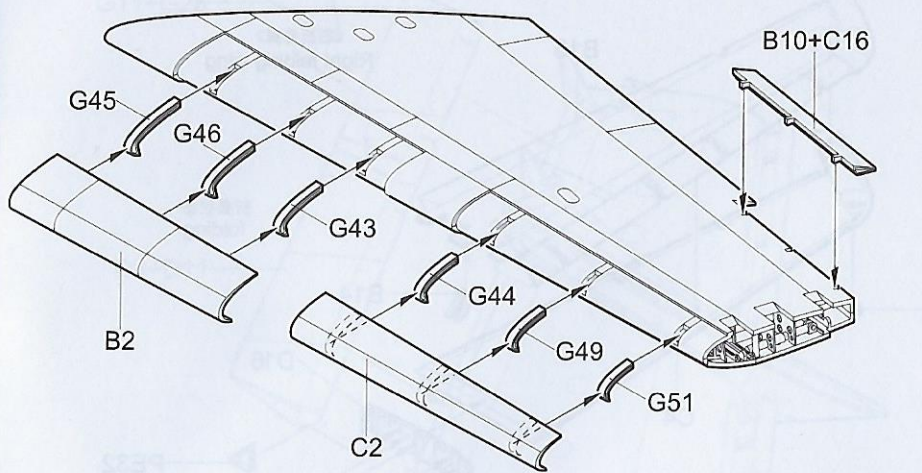
B13为折叠状态选装
B13 is use for folding



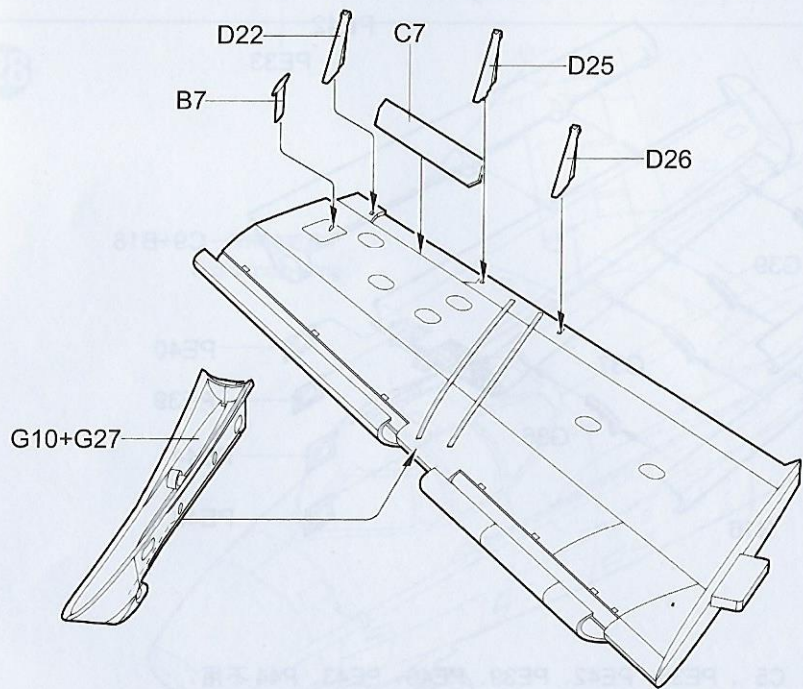
H 316 316
白色
White Insignia

《右侧主机翼》
Right main wing

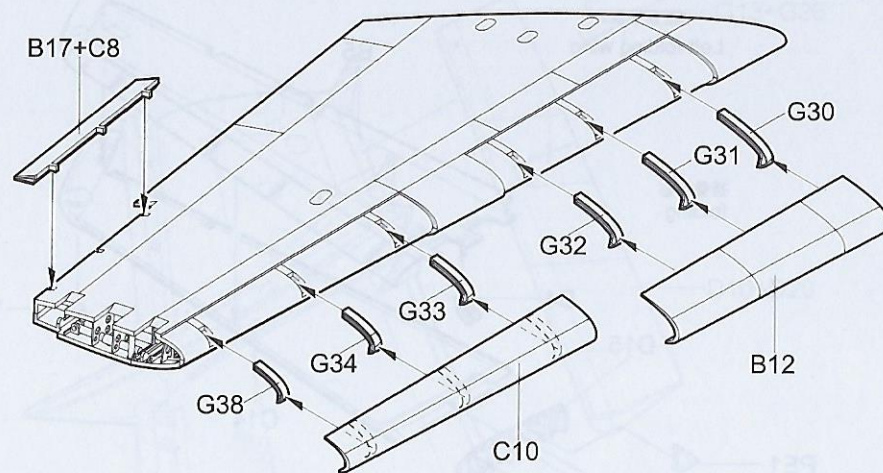
22



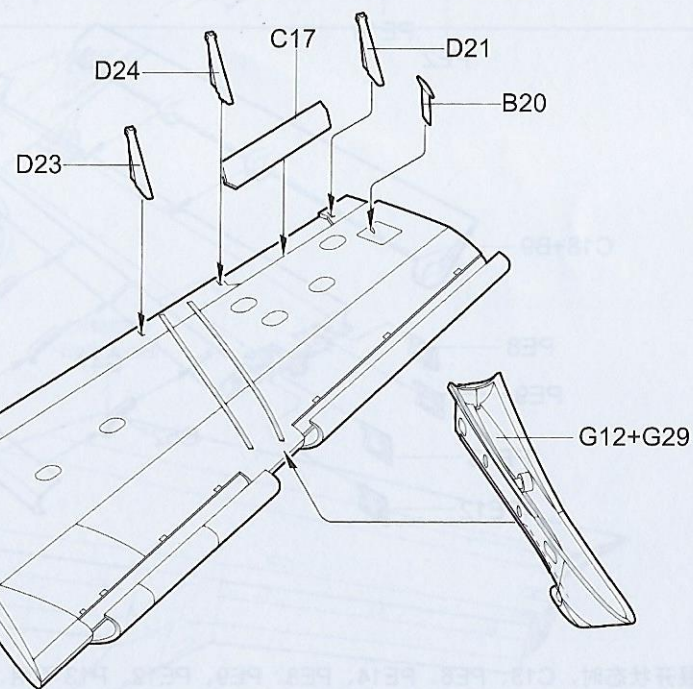
《左侧主机翼》
Left main wing



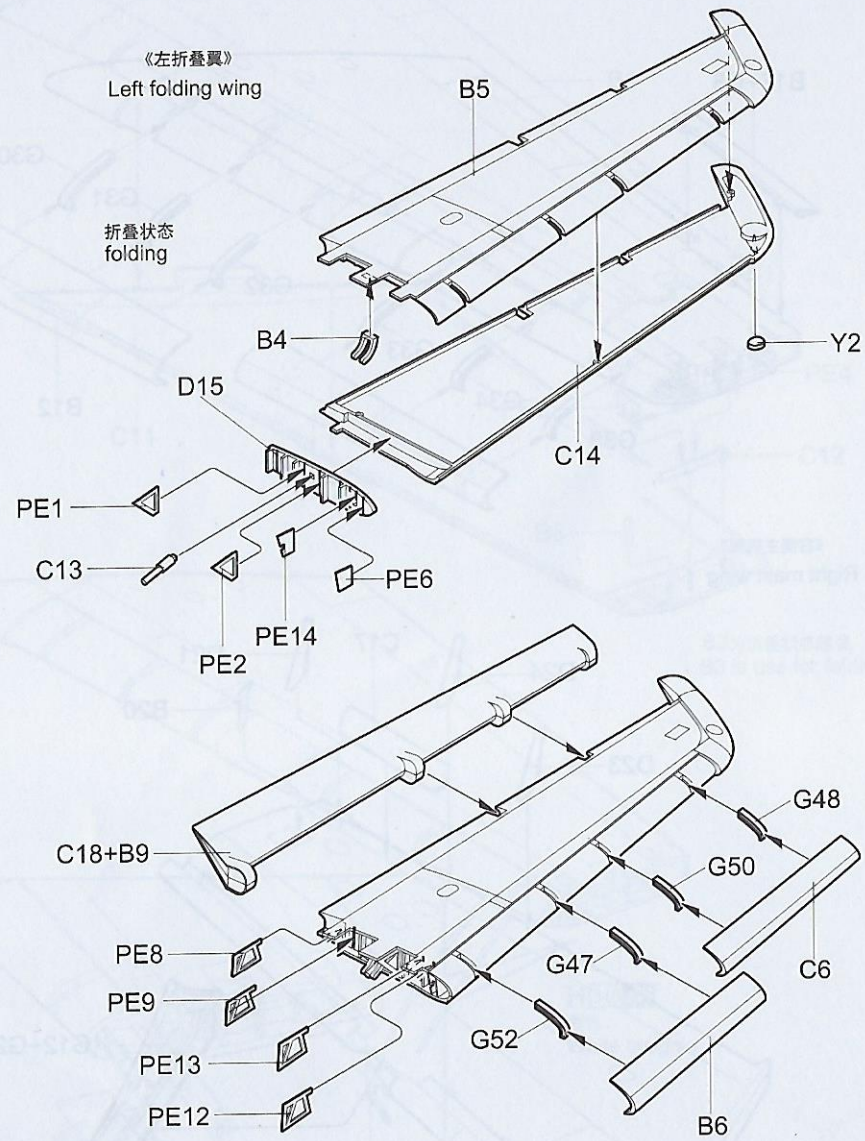
23



《右侧主机翼》
Right main wing

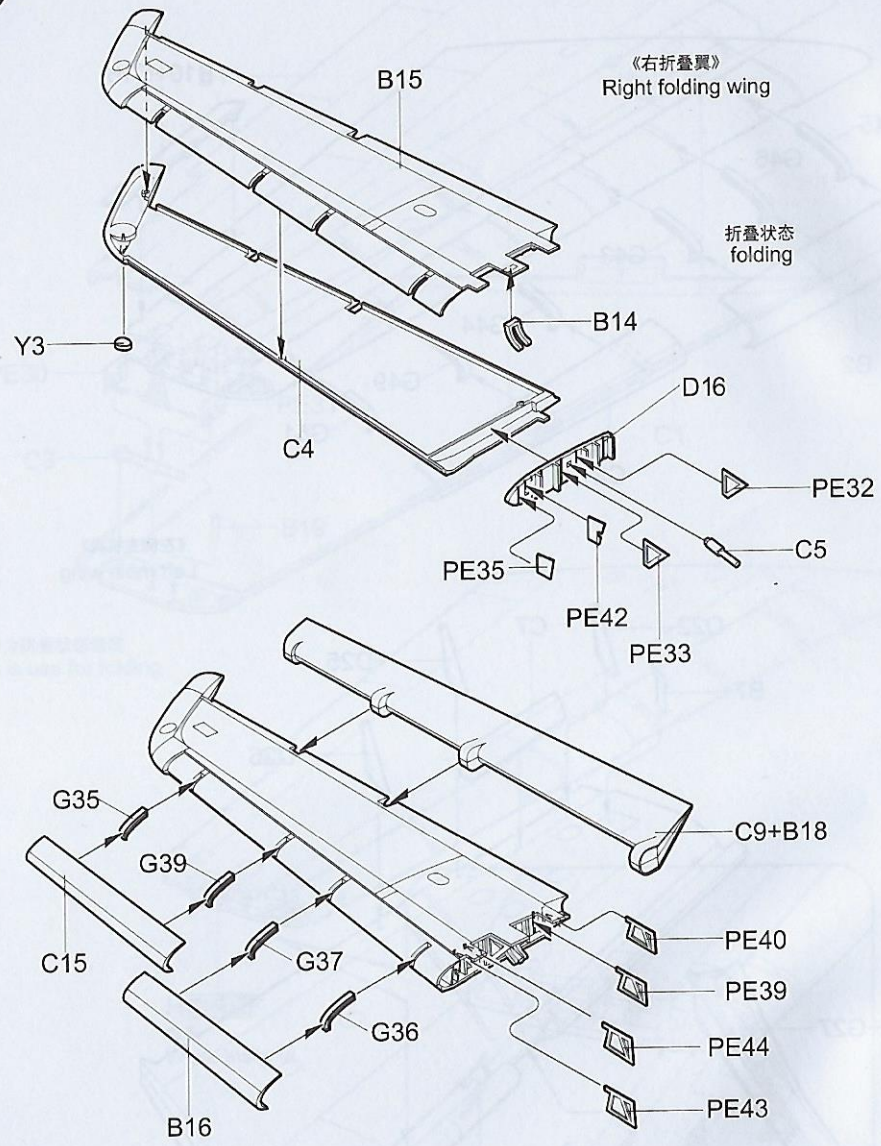


24



展开状态时, C13、PE6、PE14、PE8、PE9、PE12、P13 不用。
 C13、PE6、PE14、PE8、PE9、PE12、P13 don't use when open.

25



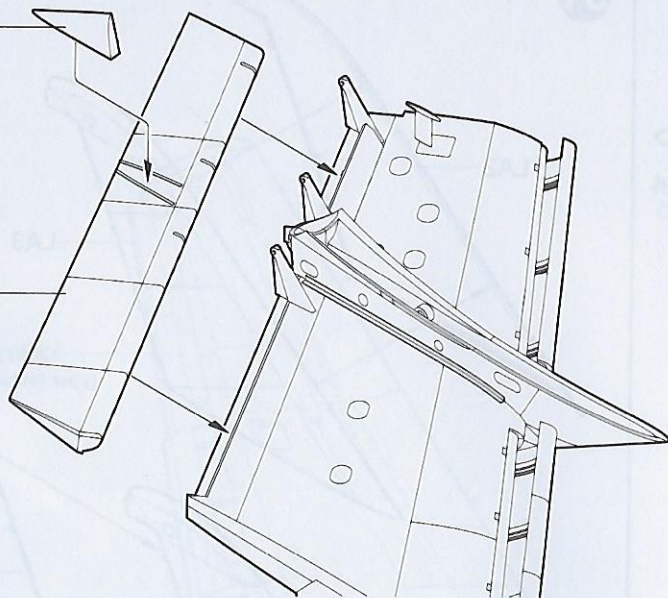
展开状态时, C5、PE35、PE42、PE39、PE40、PE43、P44 不用。
 C13、PE35、PE42、PE39、PE40、PE43、P44 don't use when open.

26

G11+G28

D1+D11

《右侧主机翼》
Right main wing

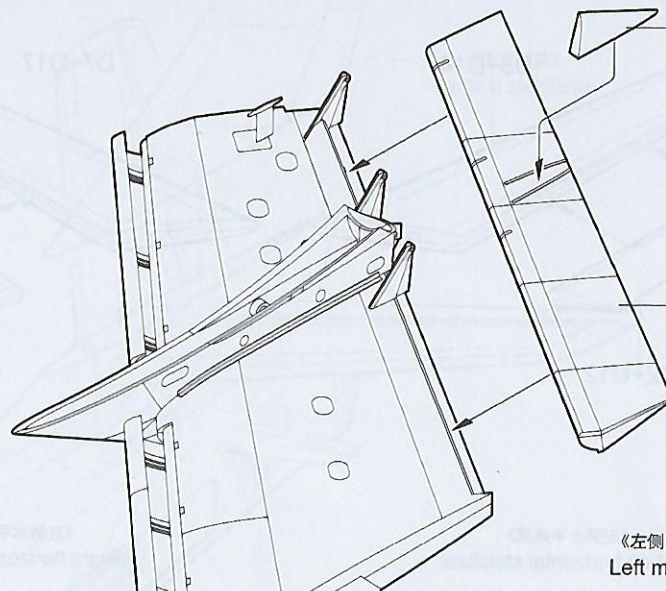


27

G13+G26

D10+D20

《左侧主机翼》
Left main wing

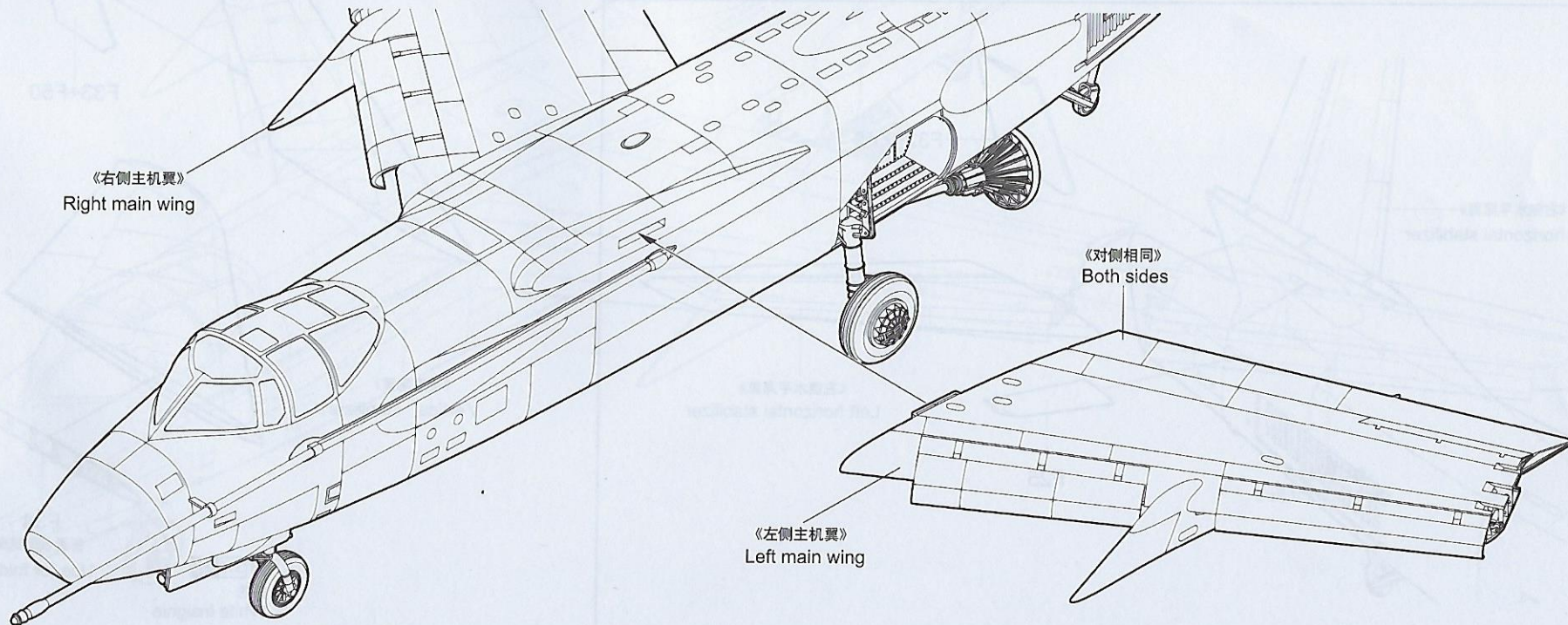


28

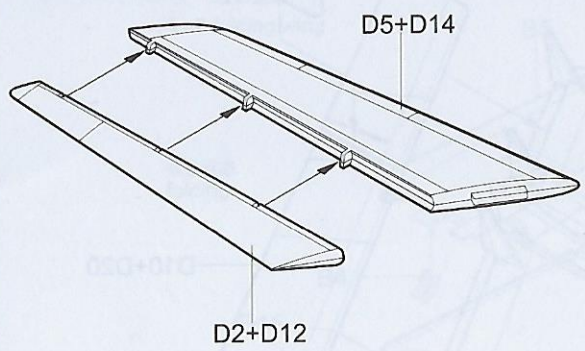
《右侧主机翼》
Right main wing

《对侧相同》
Both sides

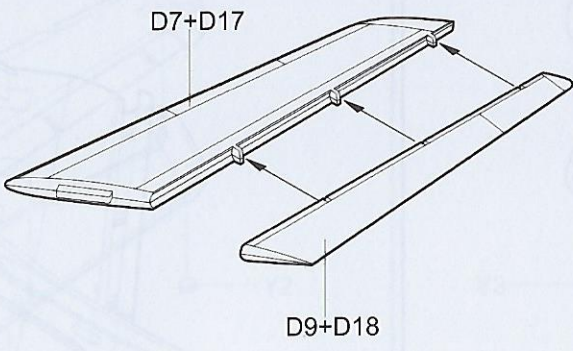
《左侧主机翼》
Left main wing



29

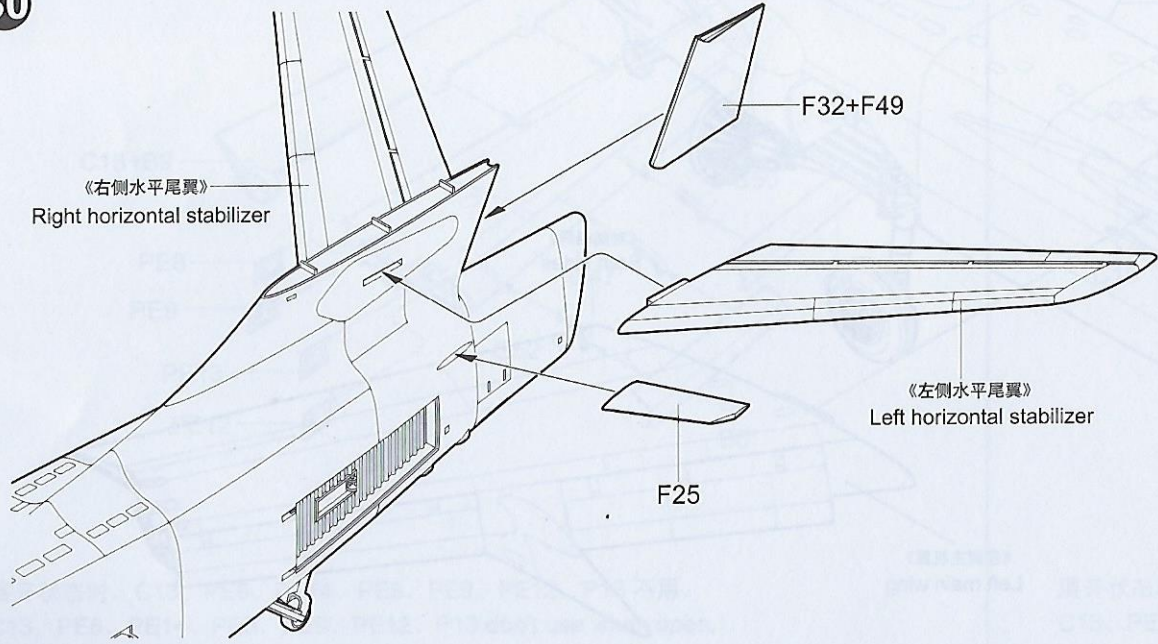


《左侧水平尾翼》
Left horizontal stabilizer



《右侧水平尾翼》
Right horizontal stabilizer

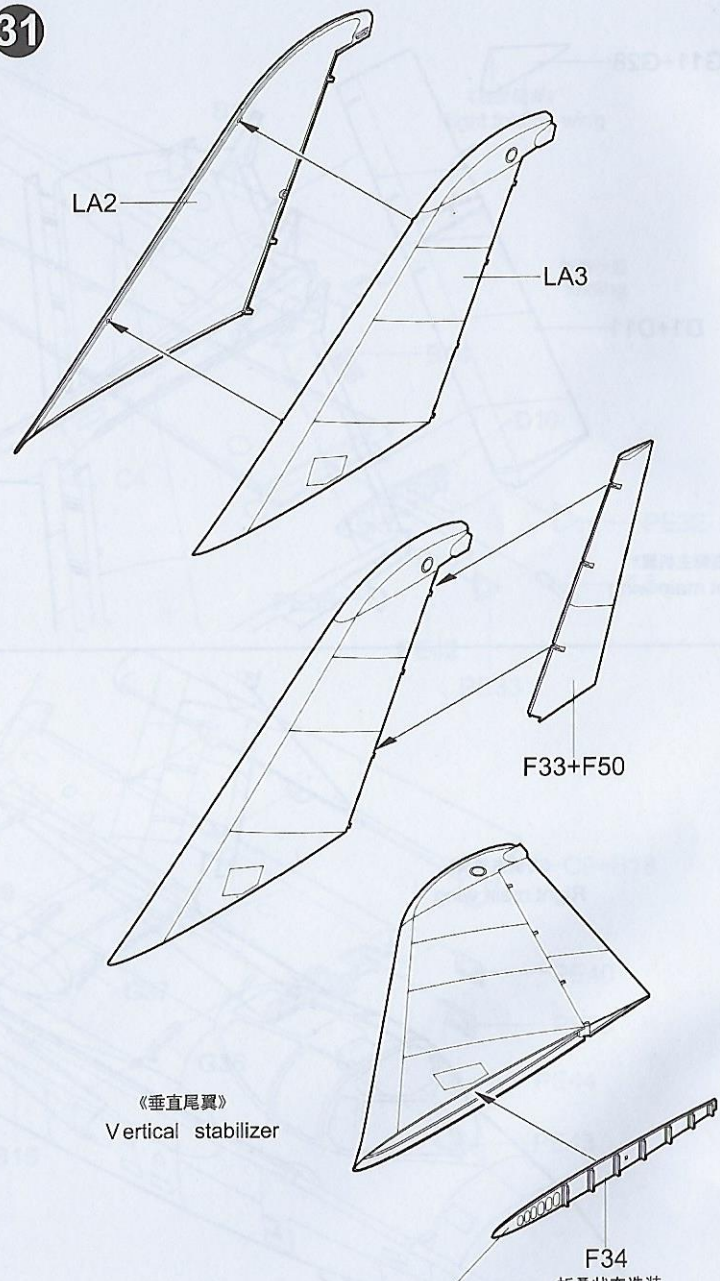
30



《右侧水平尾翼》
Right horizontal stabilizer

《左侧水平尾翼》
Left horizontal stabilizer

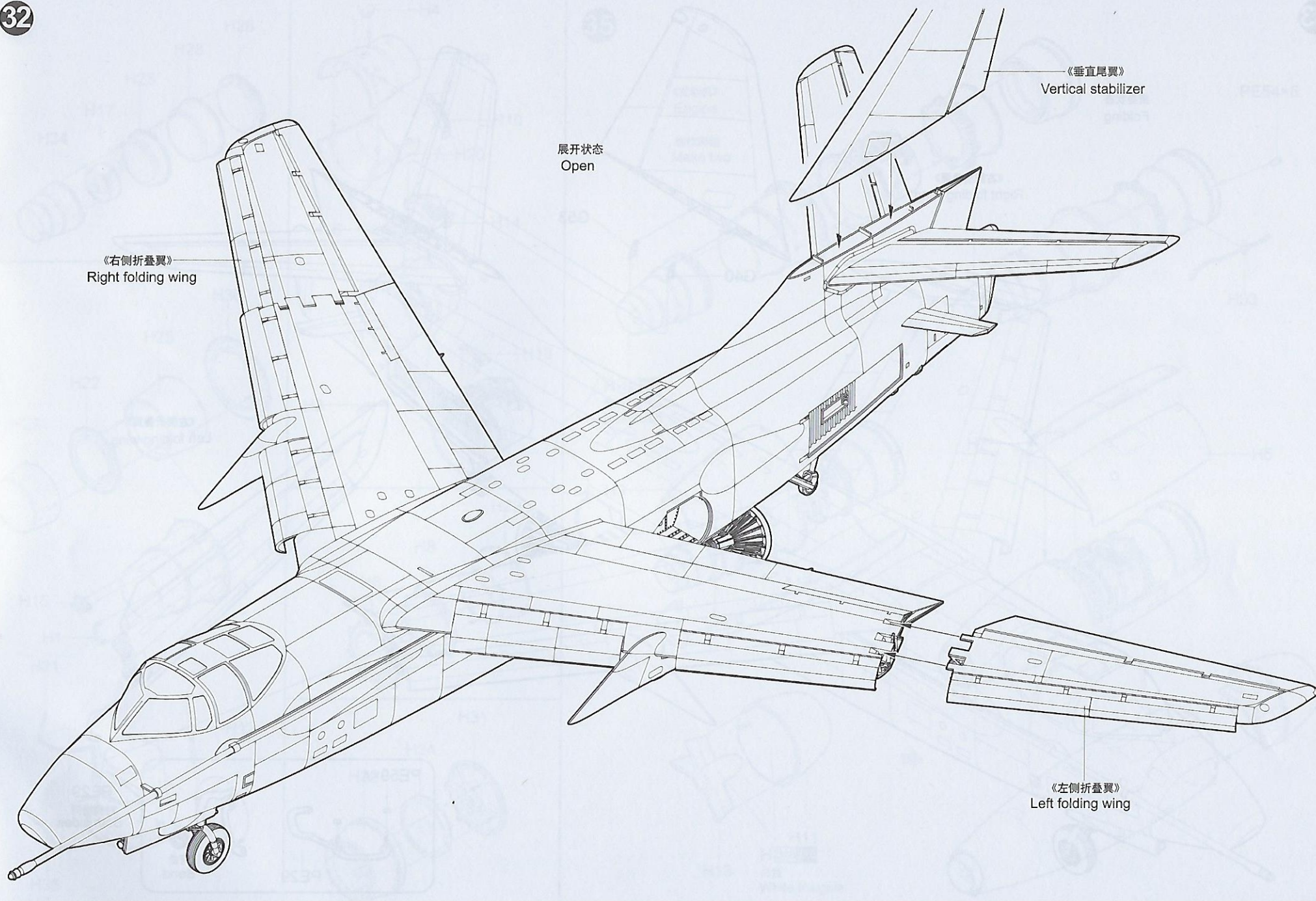
31



《垂直尾翼》
Vertical stabilizer

F34
折叠状态选装
Use for folding

H316316
白色
White Insignia



《右侧折叠翼》
Right folding wing

展开状态
Open

《垂直尾翼》
Vertical stabilizer

《左侧折叠翼》
Left folding wing

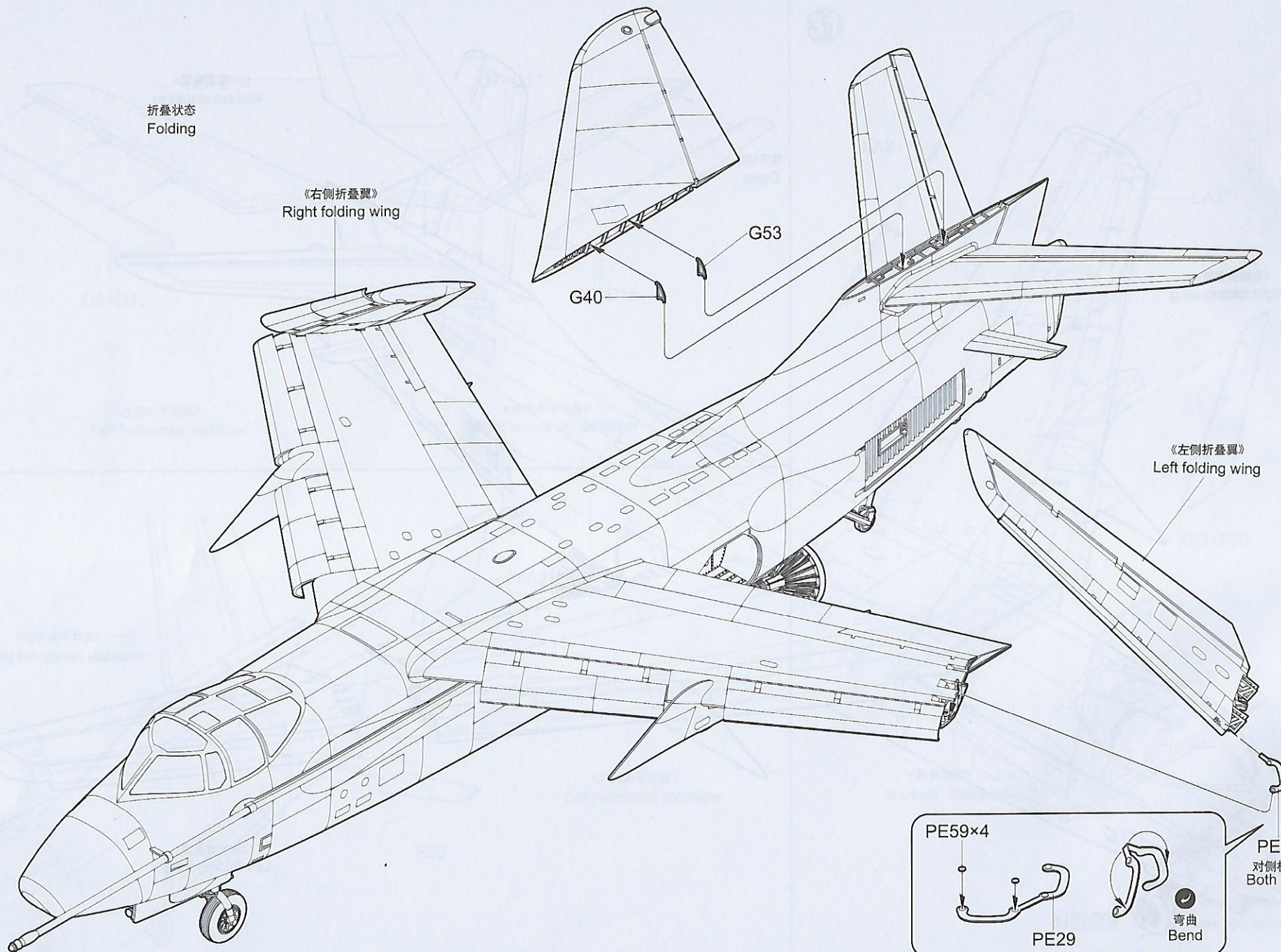
折叠状态
Folding

《右侧折叠翼》
Right folding wing

G53

G40

《左侧折叠翼》
Left folding wing



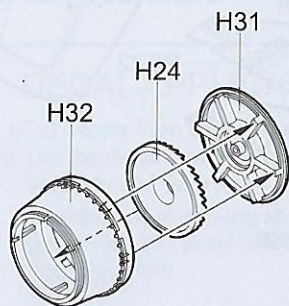
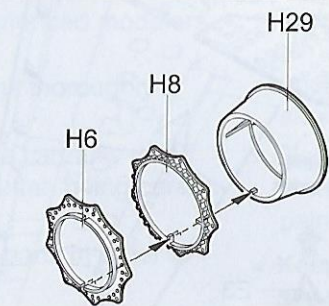
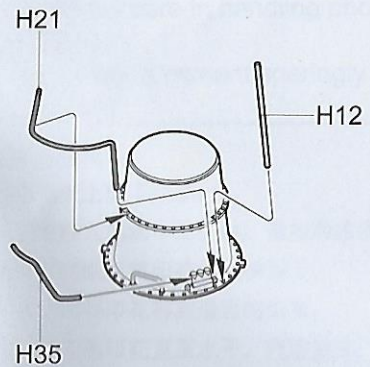
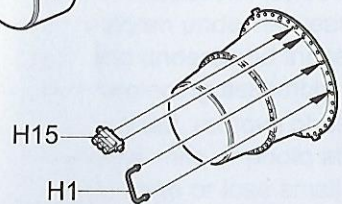
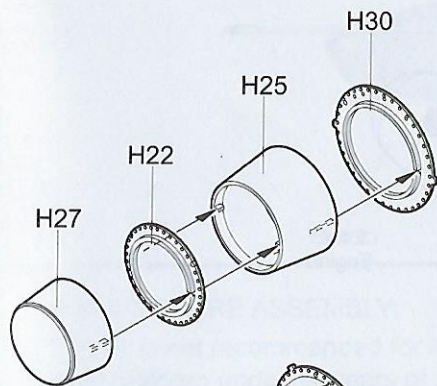
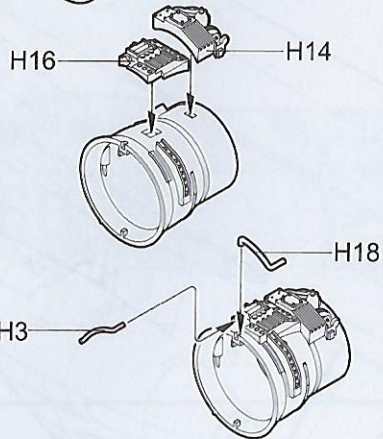
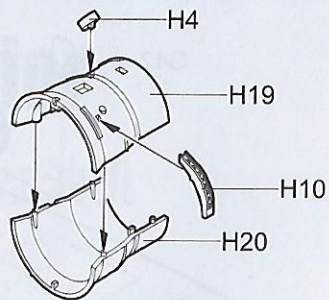
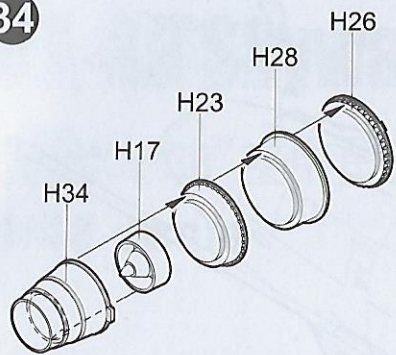
PE59x4

PE29

弯曲
Bend

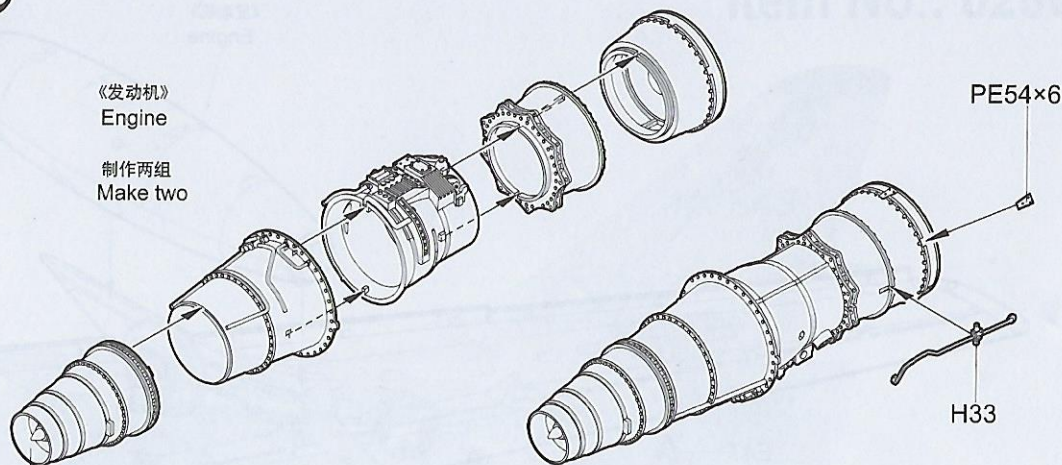
PE29
对侧相同
Both sides

34

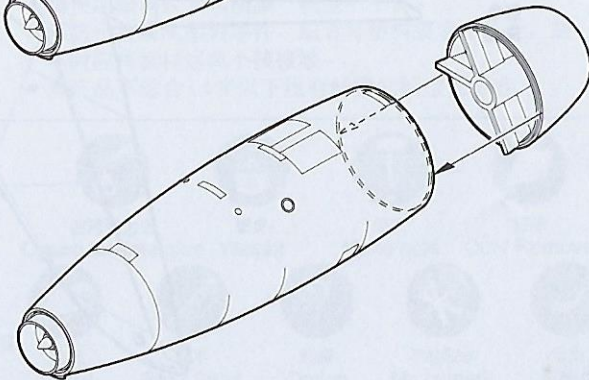
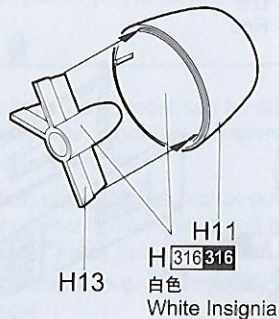
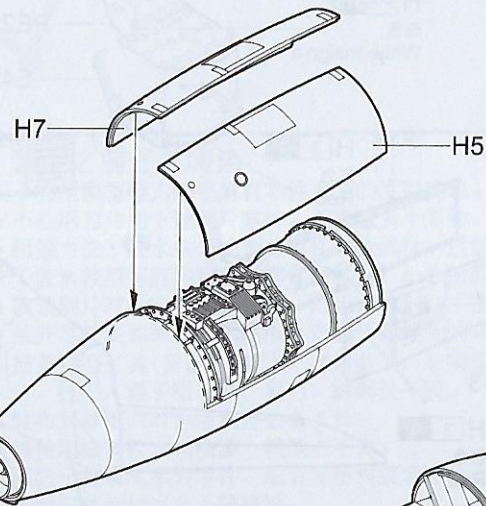
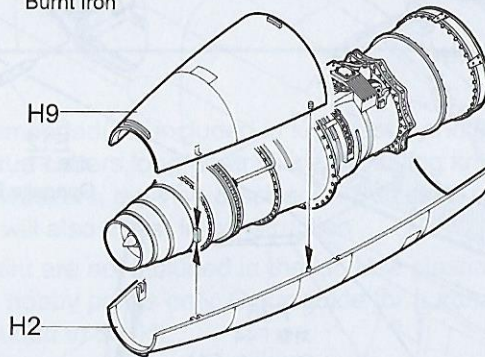


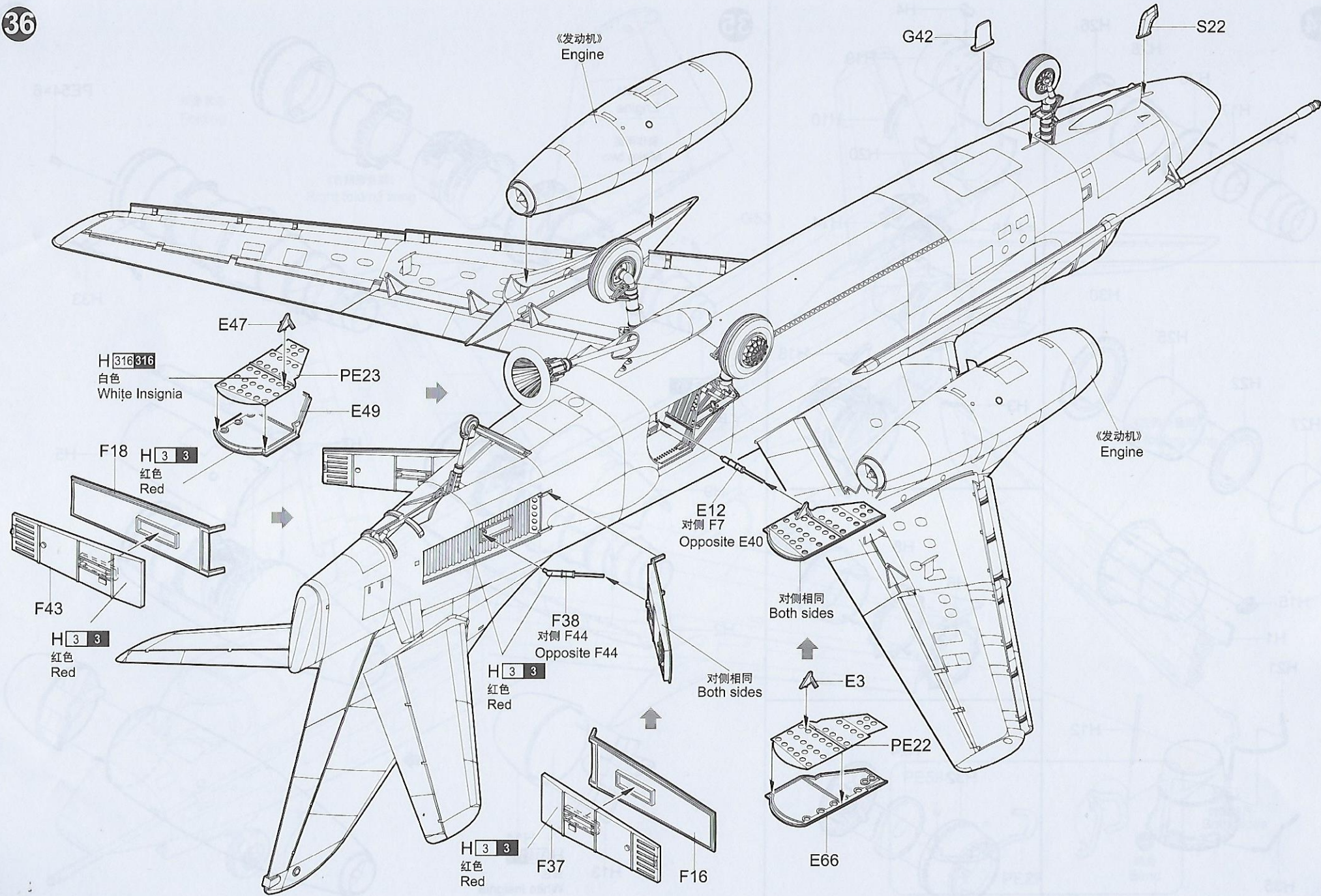
35

《发动机》
Engine
制作两组
Make two



H 76 61
烧铁色
Burnt Iron





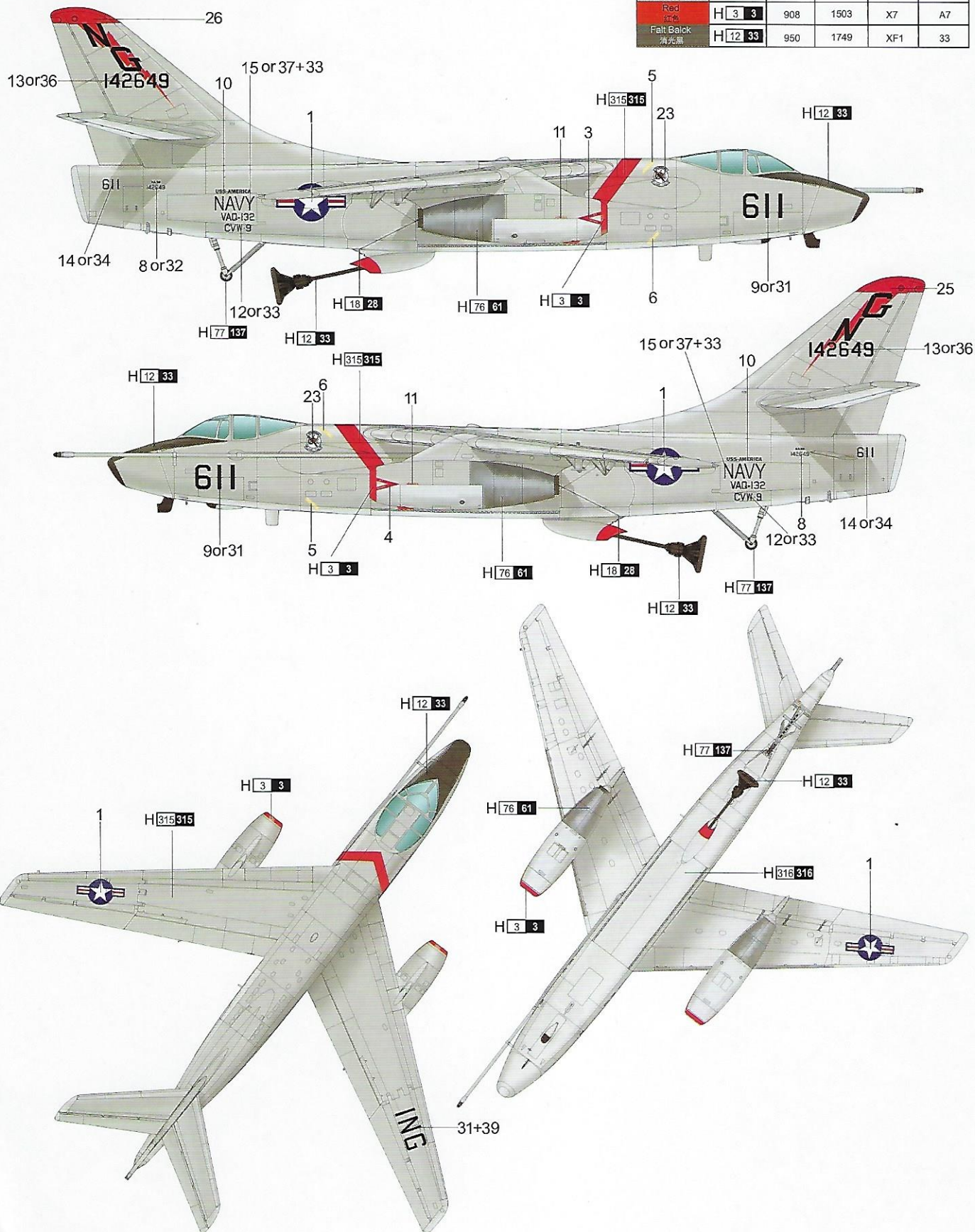
涂装同标贴指示

Painting & Marking guide

US NAVY, USS America, CVW-9, VAQ-132 'Scorpions',
KA-3B, 611/NG (BuNo. 142649).

PAINT REFERENCE COLOUR

Color	Mr.Hobby	Vallejo	Model Master	Tamiya	Humbrol
Tire Black 胎黑色	H 77 137	-	-	-	-
Metal Black 黑铁色	H 18 28	-	-	-	-
White Insignia 白色	H 315 316	991	1745	X2	22
Lightly Gull 灰色	H 315 315	843	1730	-	A43
Burnt Iron 烧铁色	H 76 61	863	1795	X10	53
Red 红色	H 3 3	908	1503	X7	A7
Falt Black 清光黑	H 12 33	950	1749	XF1	33



H AQUEOUS HOBBY COLOR Mr. COLOR