

eduard

LIMITED
EDITION



MIG-21bis

INSTRUCTION SHEET

1/72

2151-NAV 1

ATTENTION



UPOZORNĚNÍ



ACHTUNG



ATTENTION



注意



Carefully read instruction sheet before assembling. When you use glue or paint, do not use near open flame and use in well ventilated room. Keep out of reach of small children. Children must not be allowed to suck any part, or pull vinyl bag over the head.



Před započetím stavby si pečlivě prostudujte stavební návod. Při používání barev a lepidel pracujte v dobře větrané místnosti. Lepidla ani barvy nepoužívejte v blízkosti otevřeného ohně. Model není určen malým dětem, mohlo by dojít k požití drobných dílů.

INSTRUCTION SIGNS

* INSTR. SYMBOLS

* INSTRUKTION SINNBILDEN

* SYMBOLES

* 記号の説明

OPTIONAL
VOLBABEND
OHNOUTSAND
BROUSITOPEN HOLE
VYVRTAT OTVORSYMETRICAL ASSEMBLY
SYMETRICKÁ MONTÁŽREMOVE
ODŘÍZNOUTREVERSE SIDE
OTOČITAPPLY EDUARD MASK
AND PAINT
POUŽIT EDUARD MASK
NABARVITPLEASE, CHECK THE LATEST VERSION OF THE INSTRUCTIONS ON www.eduard.com

PARTS



DÍLY



TEILE



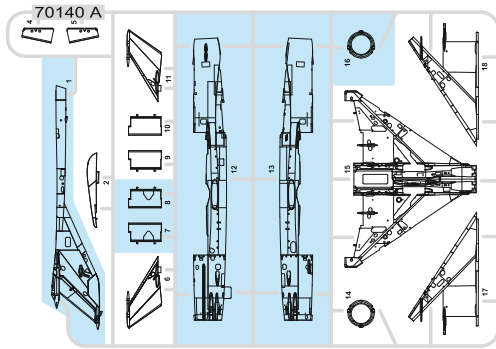
PIÈCES



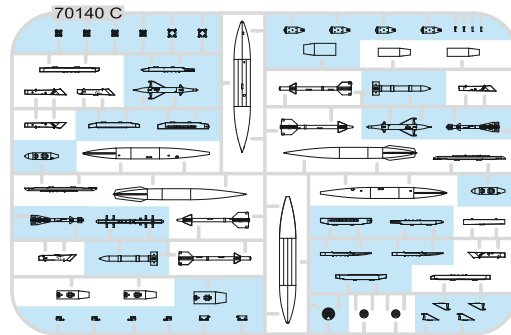
部品

PLASTIC PARTS

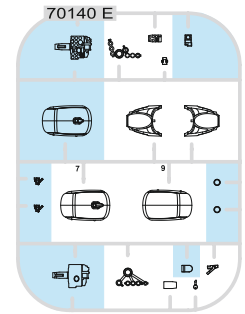
A> 2 pcs.



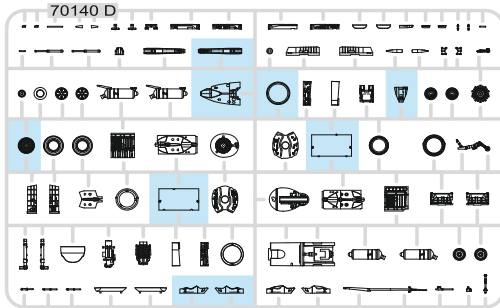
C> 2 pcs.



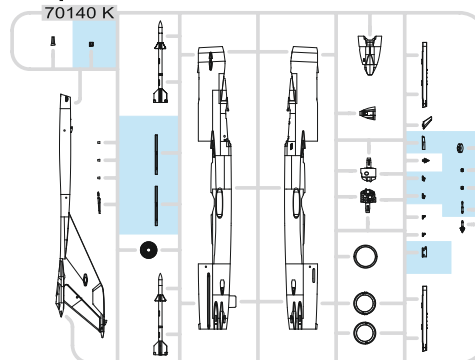
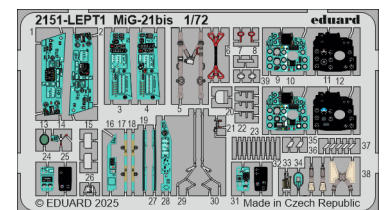
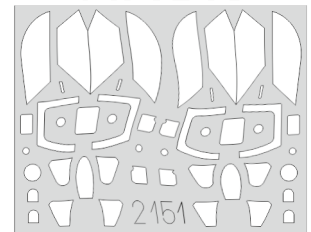
E> 2 pcs.



D> 2 pcs.



K> 2 pcs.

PE - PHOTO ETCHED
DETAIL PARTS 2 pcs.eduard
MASK

-Parts not for use. -Teile werden nicht verwendet. -Pièces à ne pas utiliser. -Tyto díly nepoužívejte při stavbě. - 使用しない部品

COLOURS



BARVY



FARBEN



PEINTURE



色

GSI Creos (GUNZE)		
AQUEOUS	Mr.COLOR	
H1	C1	WHITE
H3	C3	RED
H4	C4	YELLOW
H5	C5	BLUE
H12	C33	FLAT BLACK
H26	C66	BRIGHT GREEN
H27	C44	TAN
H51	C11	LIGHT GULL GRAY
H52	C12	OLIVE DRAB
H53	C13	NEUTRAL GRAY
H67	C115	RLM65 LIGHT BLUE
H72	C369	DARK EARTH
H76	C61	BURNT IRON
H77	C137	TIRE BLACK
H84	C42	MAHOGANY
H90	C47	CLEAR RED
H94	C138	CLEAR GREEN
H302	C302	GREEN
H303	C303	GREEN
H305	C305	GRAY
H308	C308	GRAY

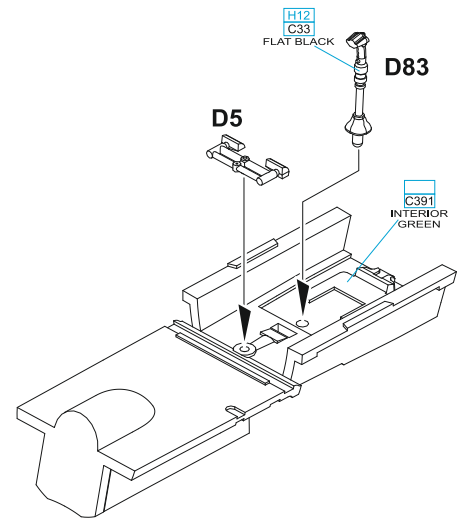
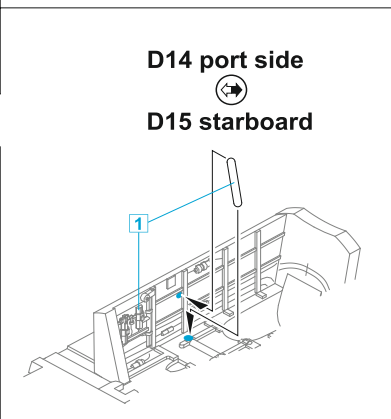
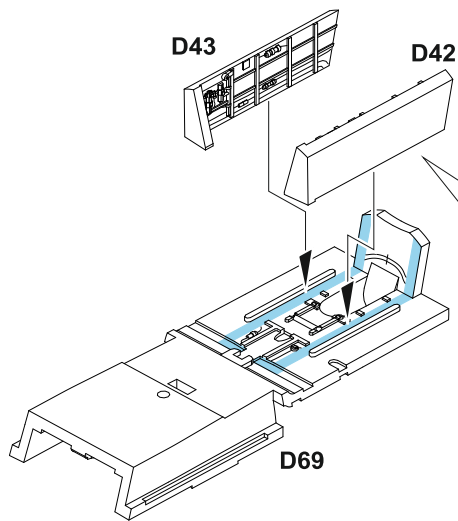
GSI Creos (GUNZE)		
AQUEOUS	Mr.COLOR	
H309	C309	GREEN
H310	C310	BROWN
H312	C312	YELLOW
H332	C332	LIGHT AIRCRAFT GRAY
H337	C337	GRAYISH BLUE
H338	C338	LIGHT GRAY
H413	C113	RLM04 YELLOW
H417	C117	RLM76 LIGHT BLUE
H418	C118	RLM78 LIGHT BLUE
	C131	RED BROWN
	C136	RUSSIAN GREEN
	C391	INTERIOR GREEN
	C511	GREEN
	C519	GREEN
Mr.COLOR SUPER METALLIC		
	SM201	SUPER FINE SILVER
	SM204	SUPER STAINLESS
	SM206	SUPER CHROME SILVER
	SM212	ALUMINIUM
Mr.COLOR GX		
	GX5	SUSIE BLUE

1 =

H51
C11
GRAY
H67
C115
RLM65
LIGHT BLUE

- MARKINGS **B, E, G, H, I, J**

- MARKINGS **A, C, D, F**

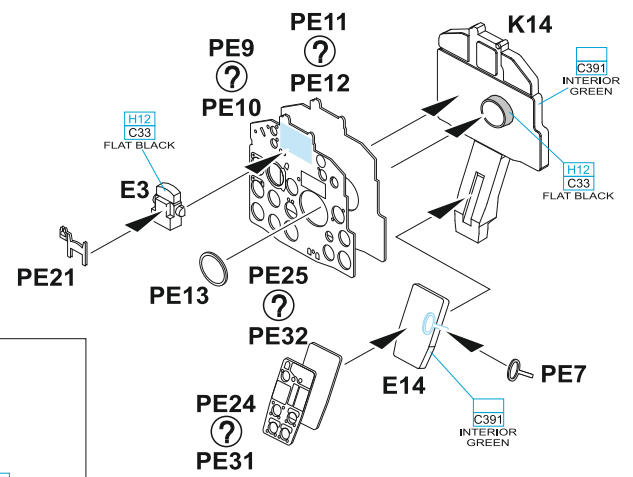
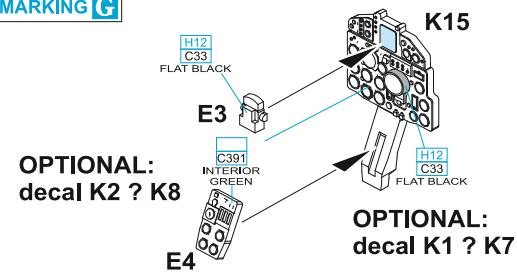


PE9, PE11 - MARKINGS **A, B, C, D, E, F, H, I, J**

PE10, PE12 - MARKING **G**

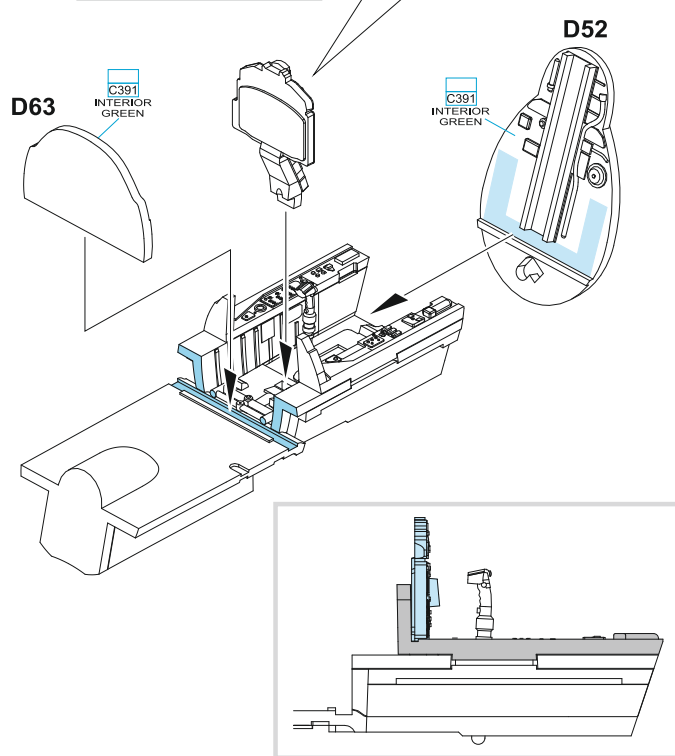
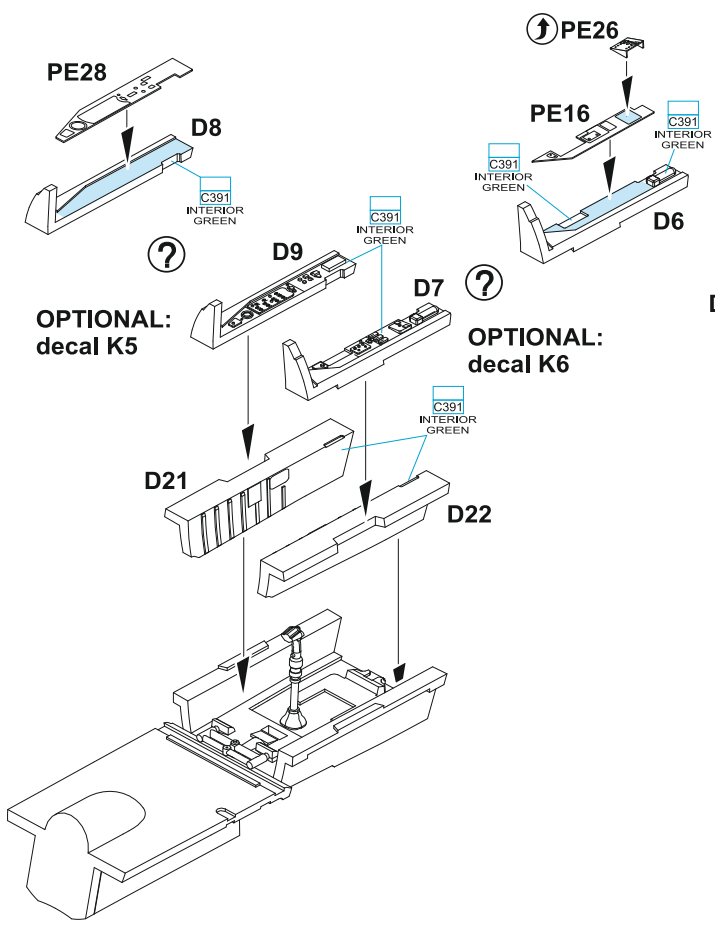
K1, K2 - MARKINGS **A, B, C, D, E, F, H, I, J**

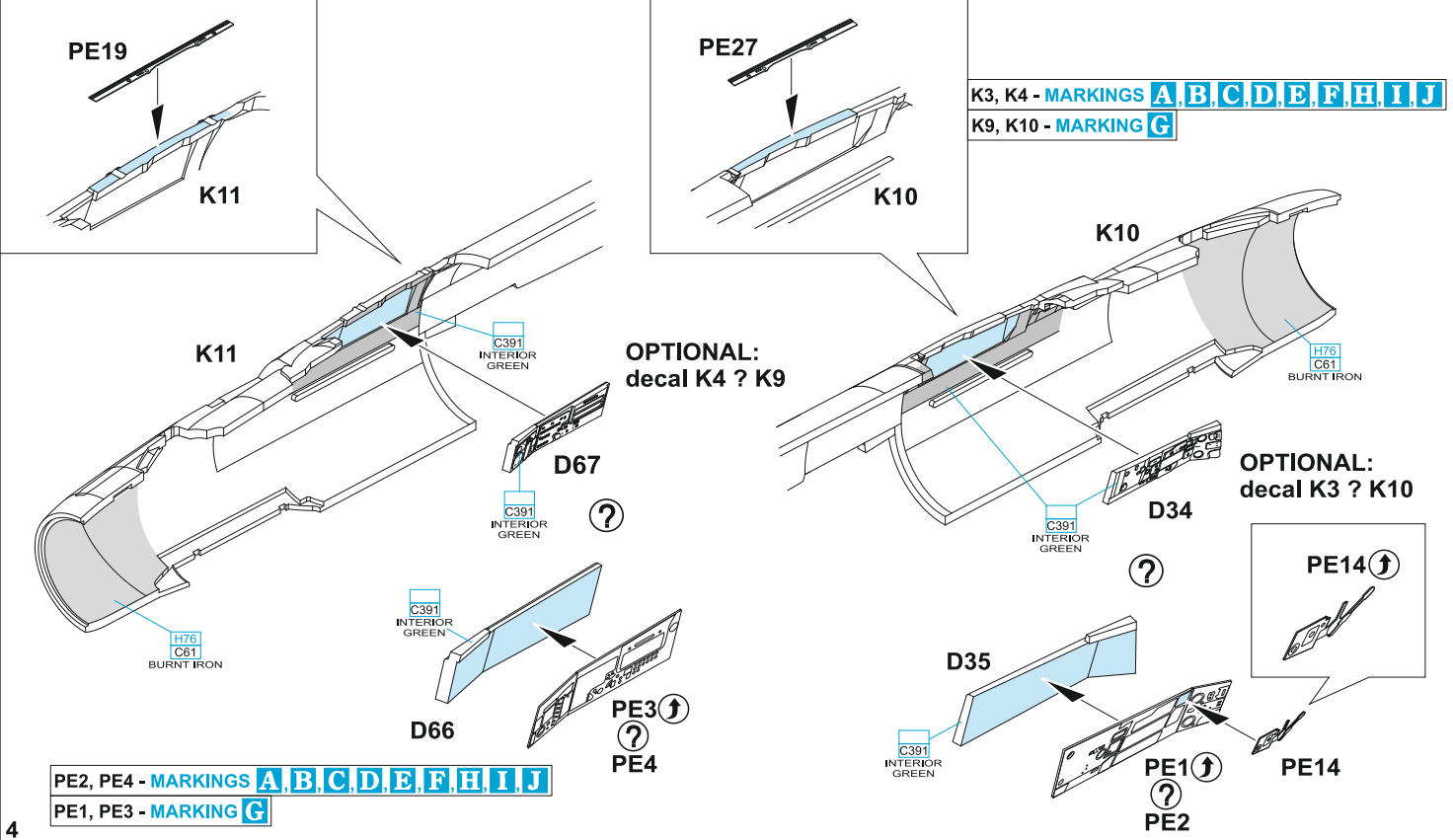
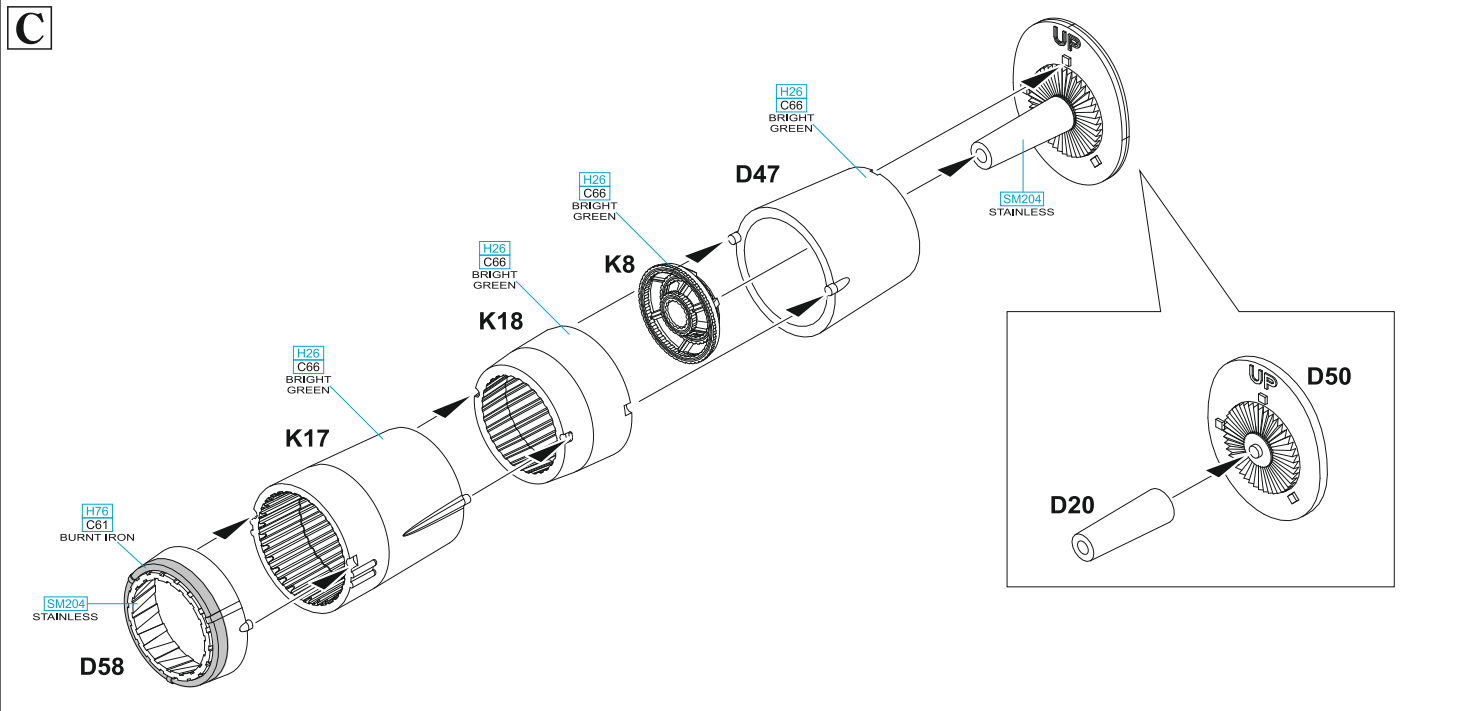
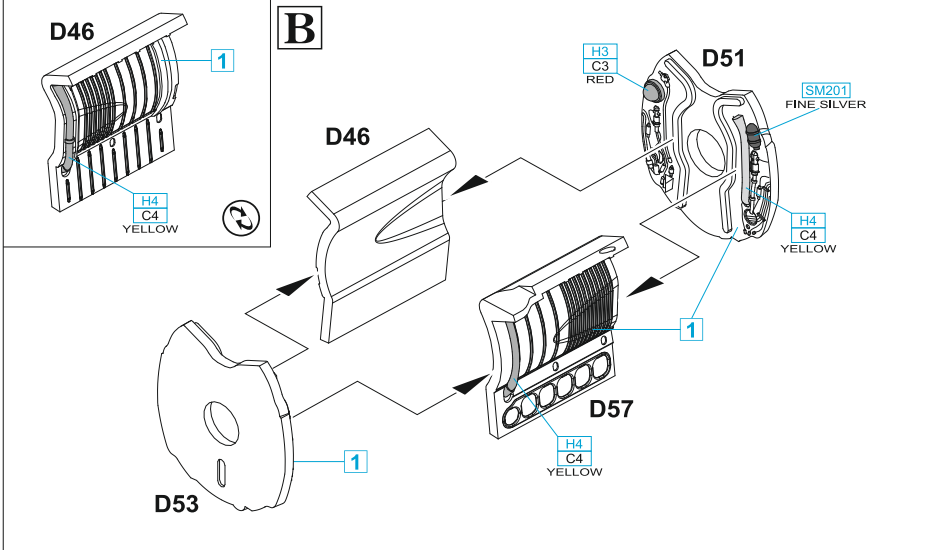
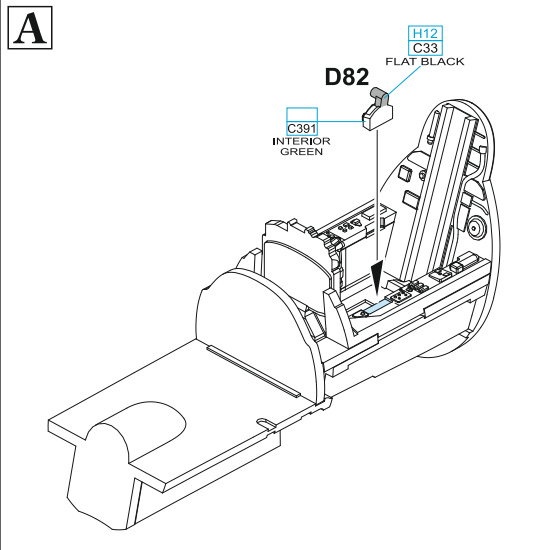
K7, K8 - MARKING **G**



PE31, PE32 - MARKINGS **A, B, C, D, E, F, H, I, J**

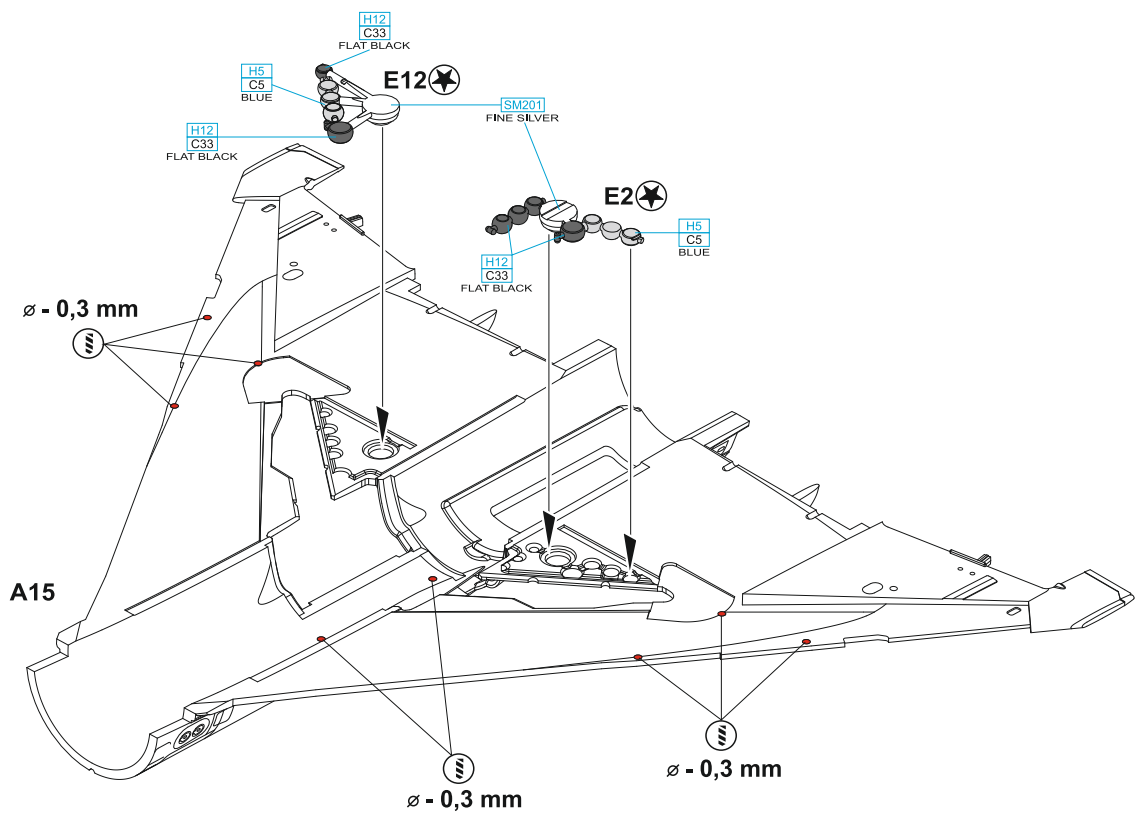
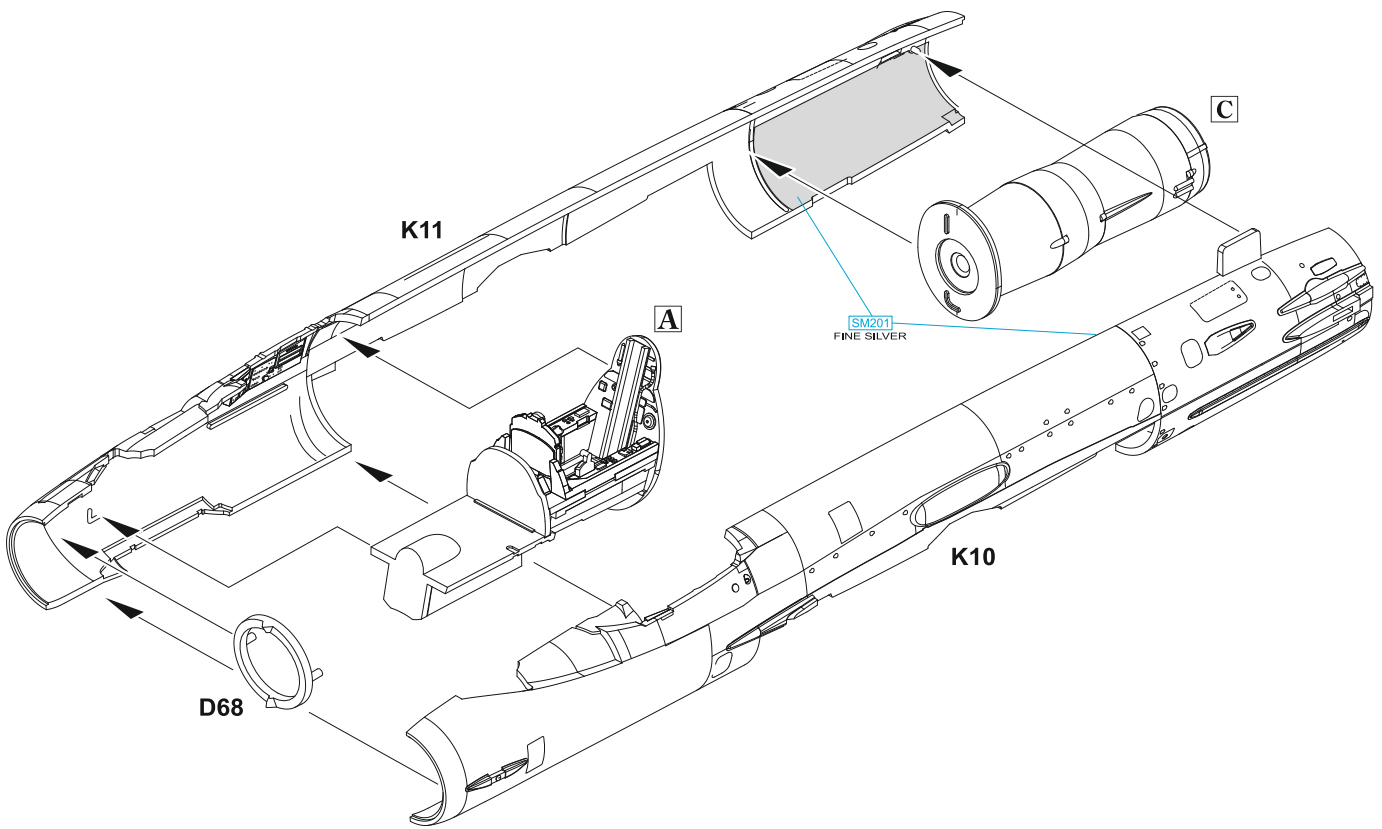
PE24, PE25 - MARKING **G**

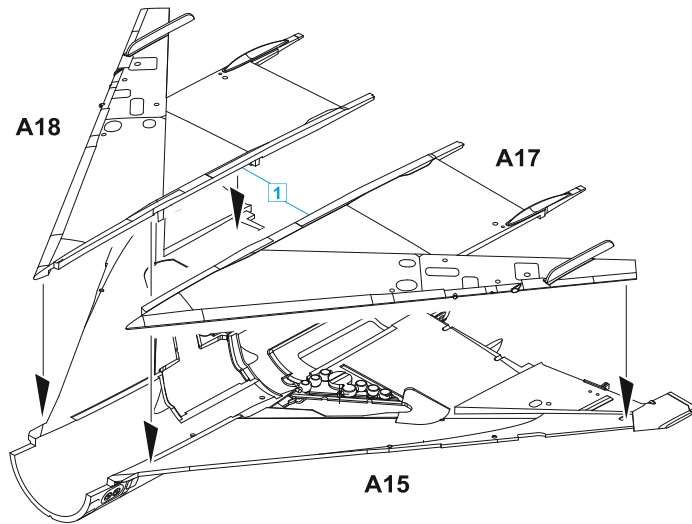




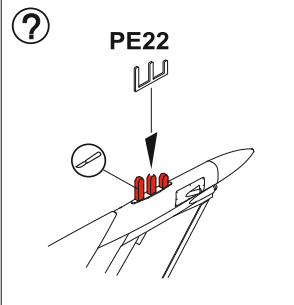
PE2, PE4 - MARKINGS **A, B, C, D, E, F, H, I, J**

PE1, PE3 - MARKING **G**





PE31 - MARKINGS **A, B, C, D, E, F, H, I** ONLY



MARKING **G** ONLY

? K24

PE20 ↻

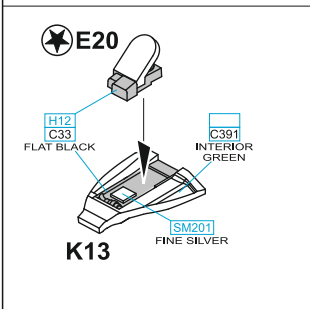
H76
C61
BURNT IRON

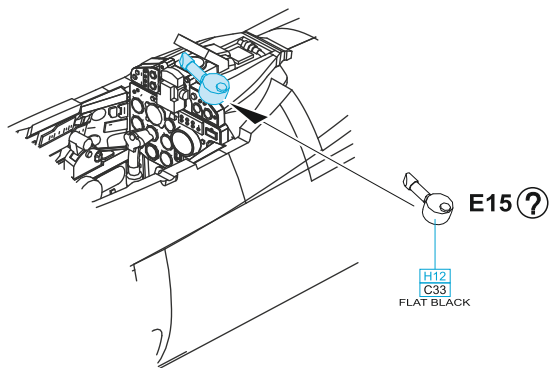
A14

K2

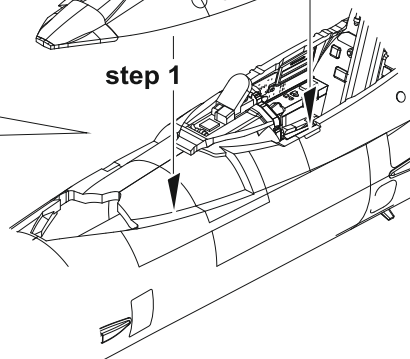
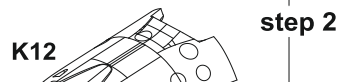
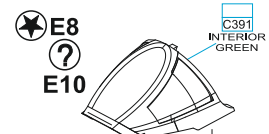
B

K16



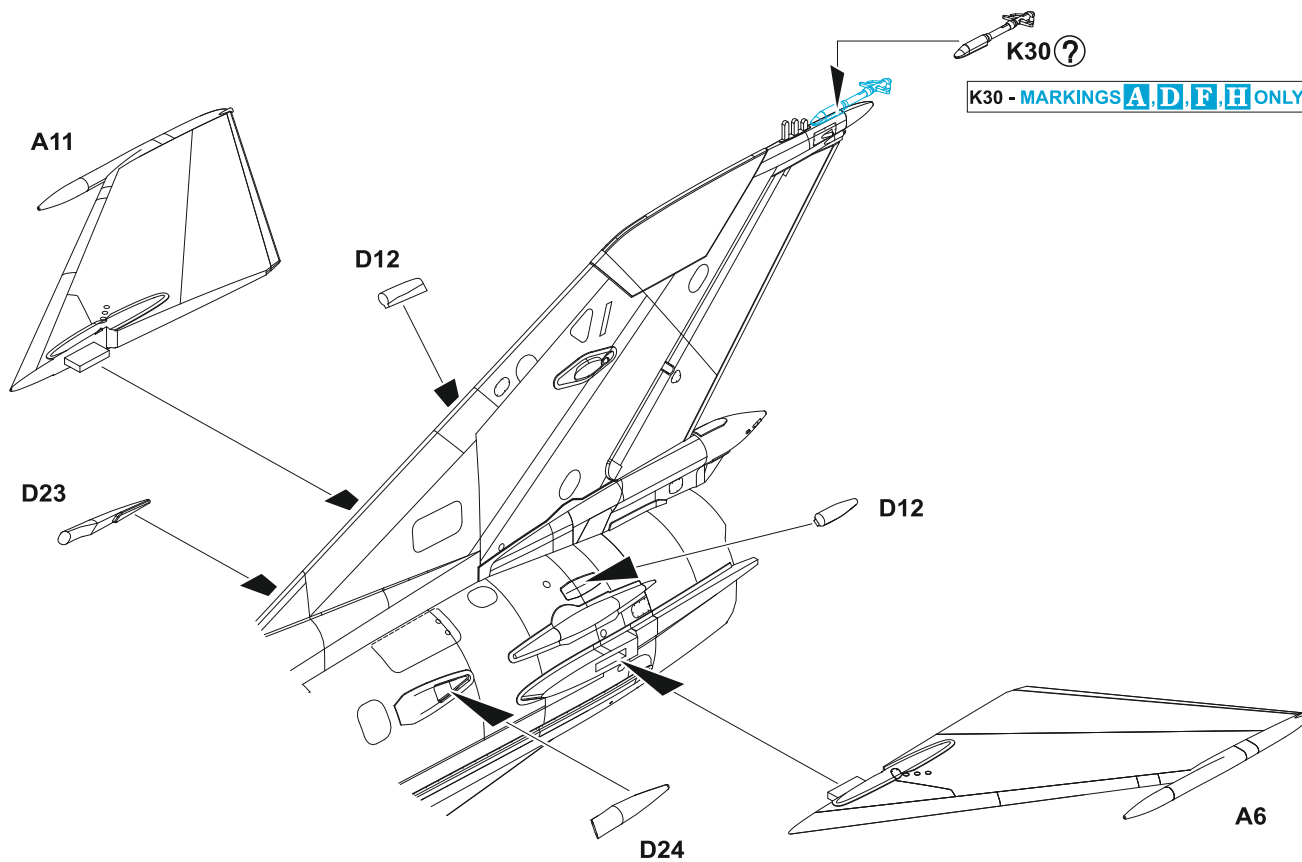


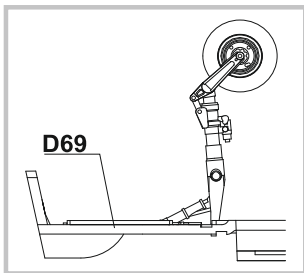
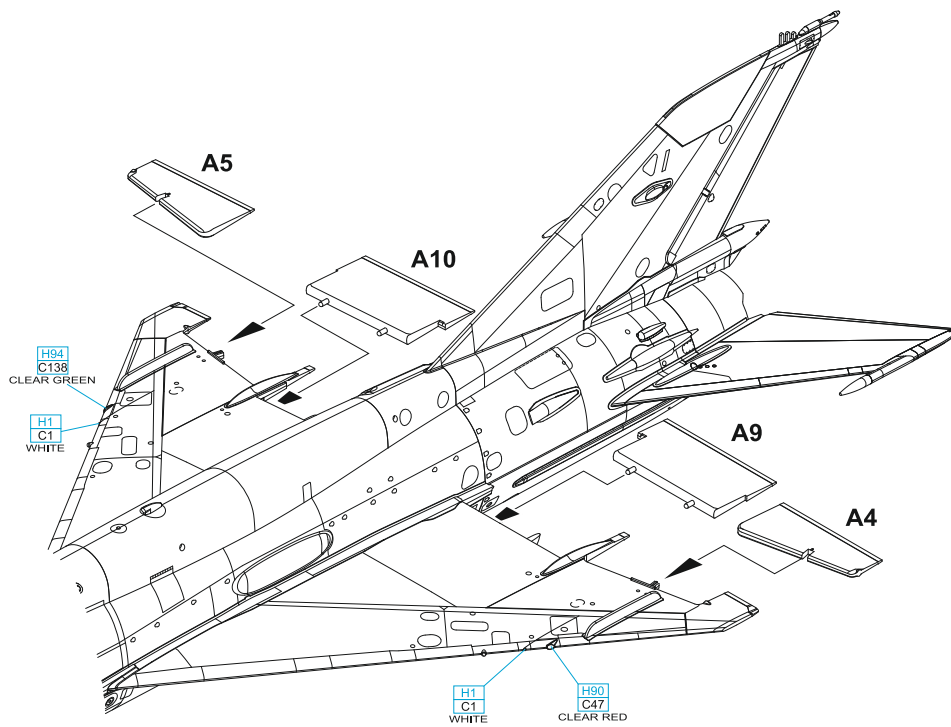
E15 - MARKINGS **A, B, C, D, E, F, H, I** ONLY



E10 - MARKINGS **A, B, E, F, G, J**

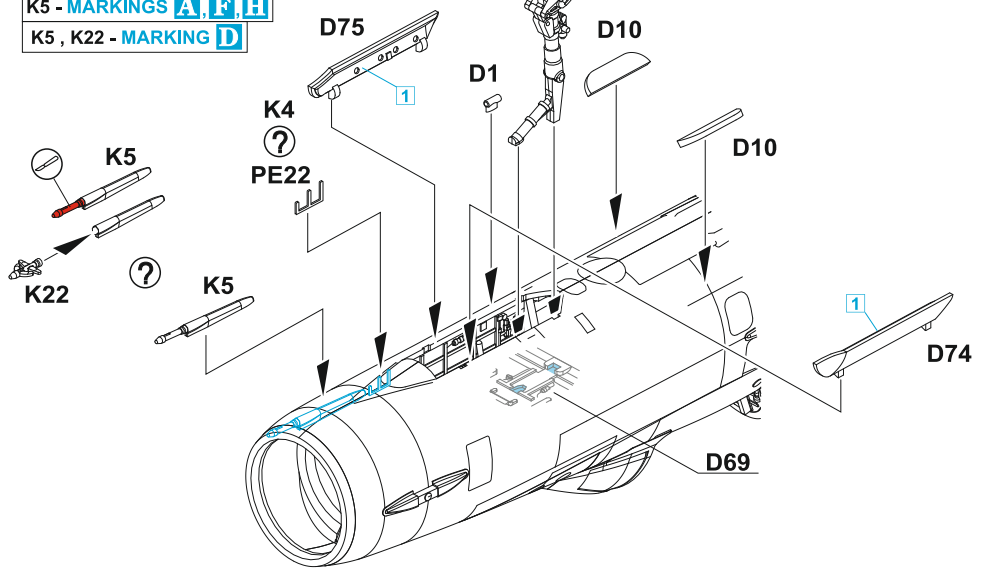
E8 - MARKINGS **C, D, H, I**



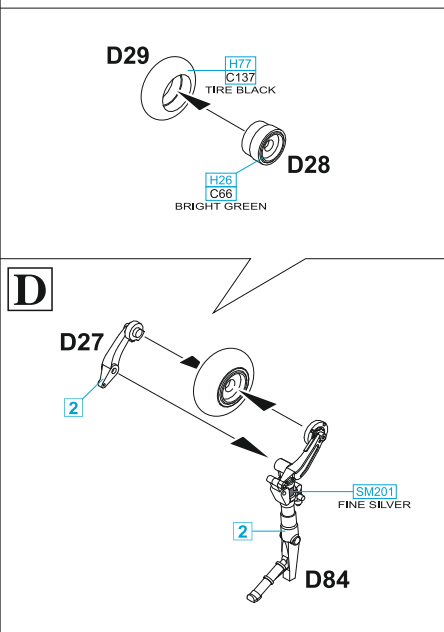


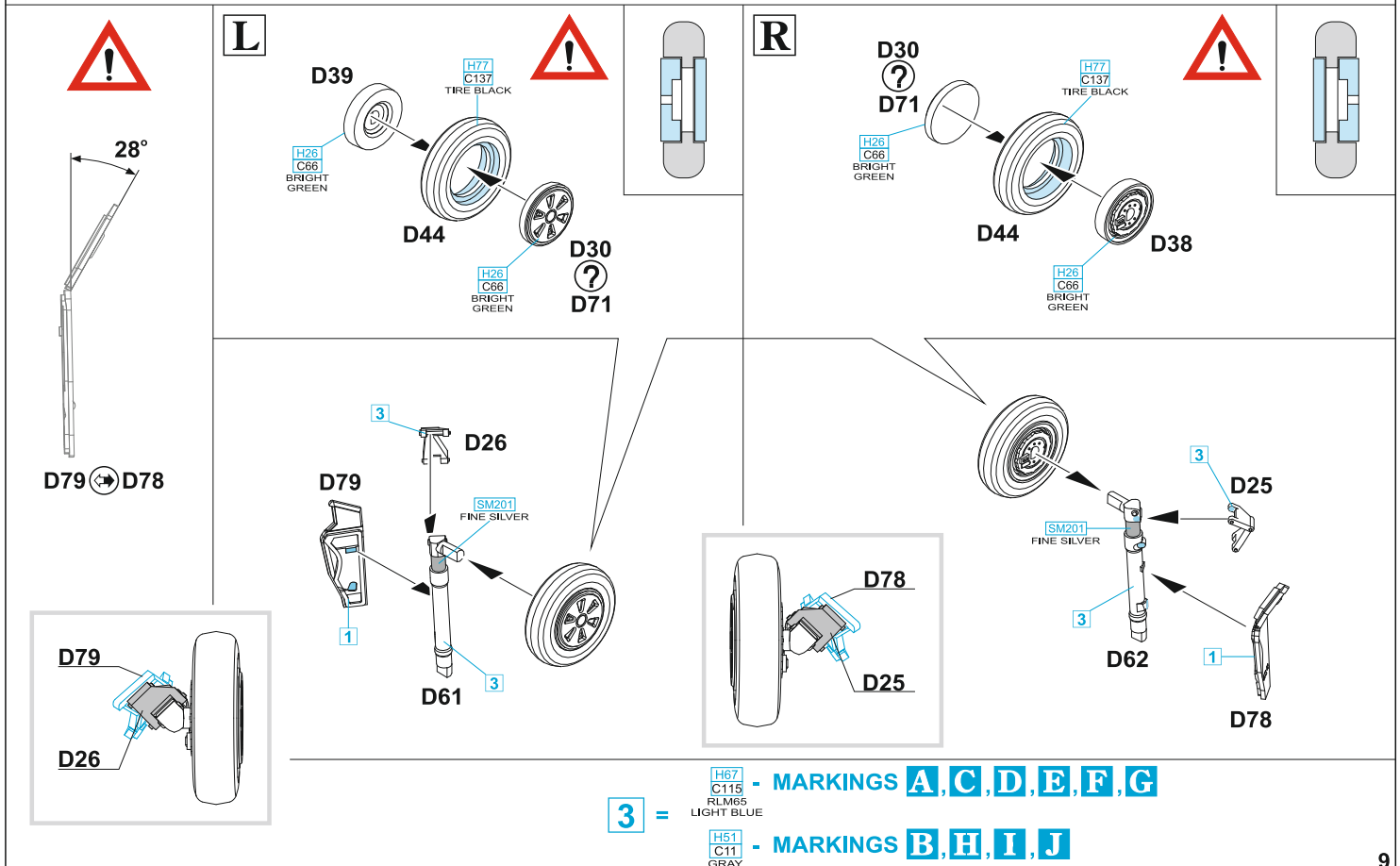
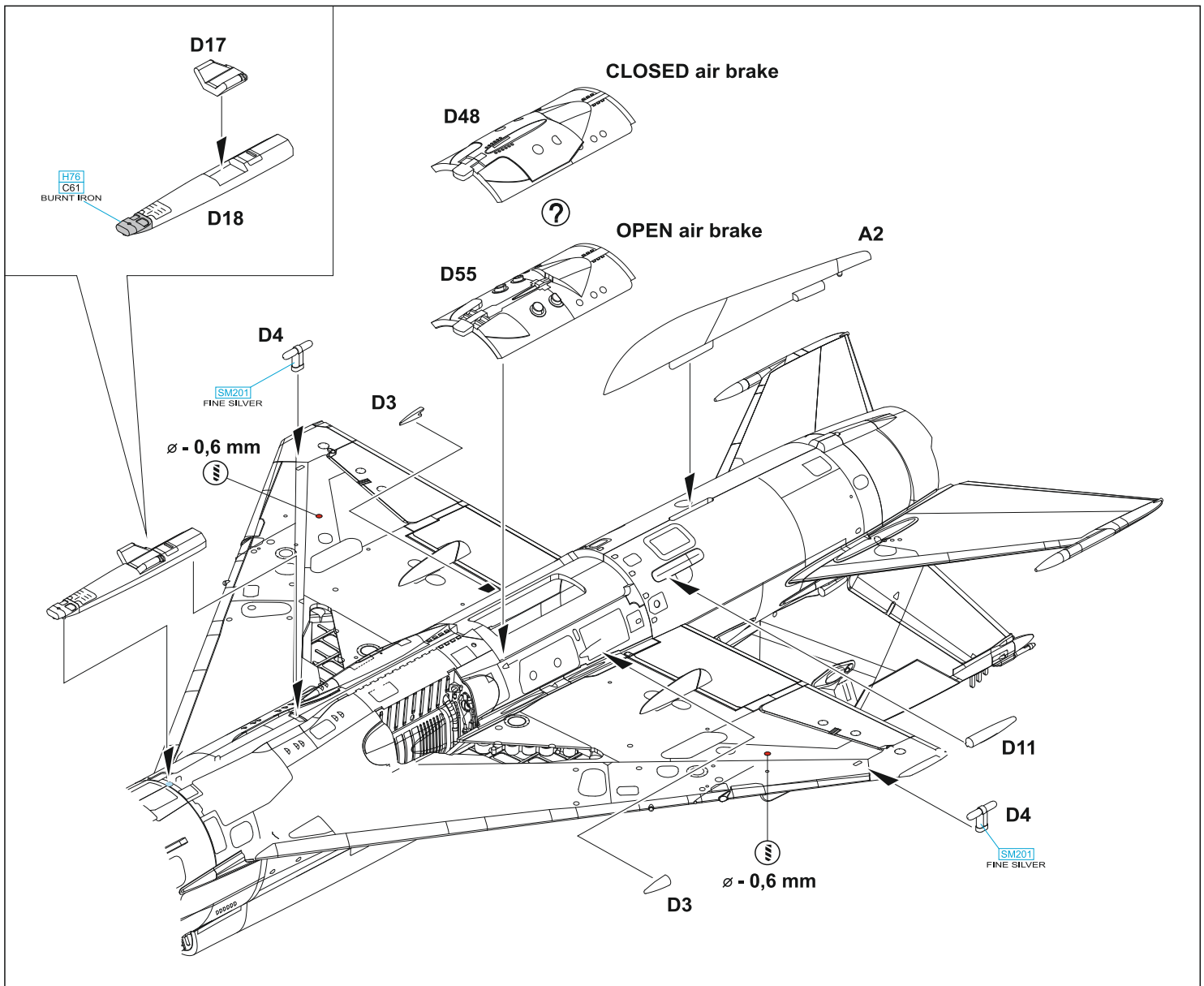
2 = H67 - MARKINGS A, C, D, E, F, G
C115 RLM65 LIGHT BLUE
H51 C11 GRAY

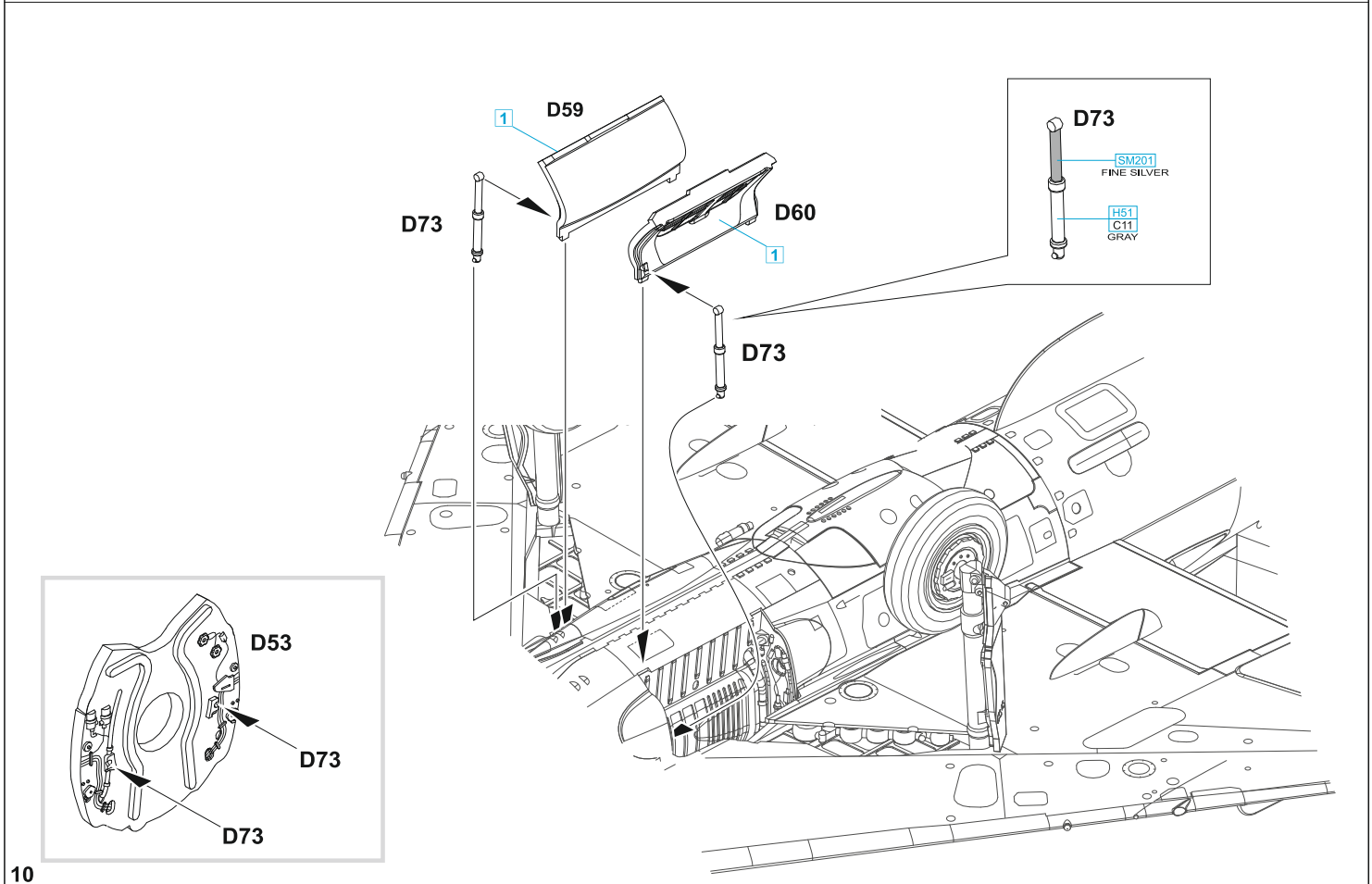
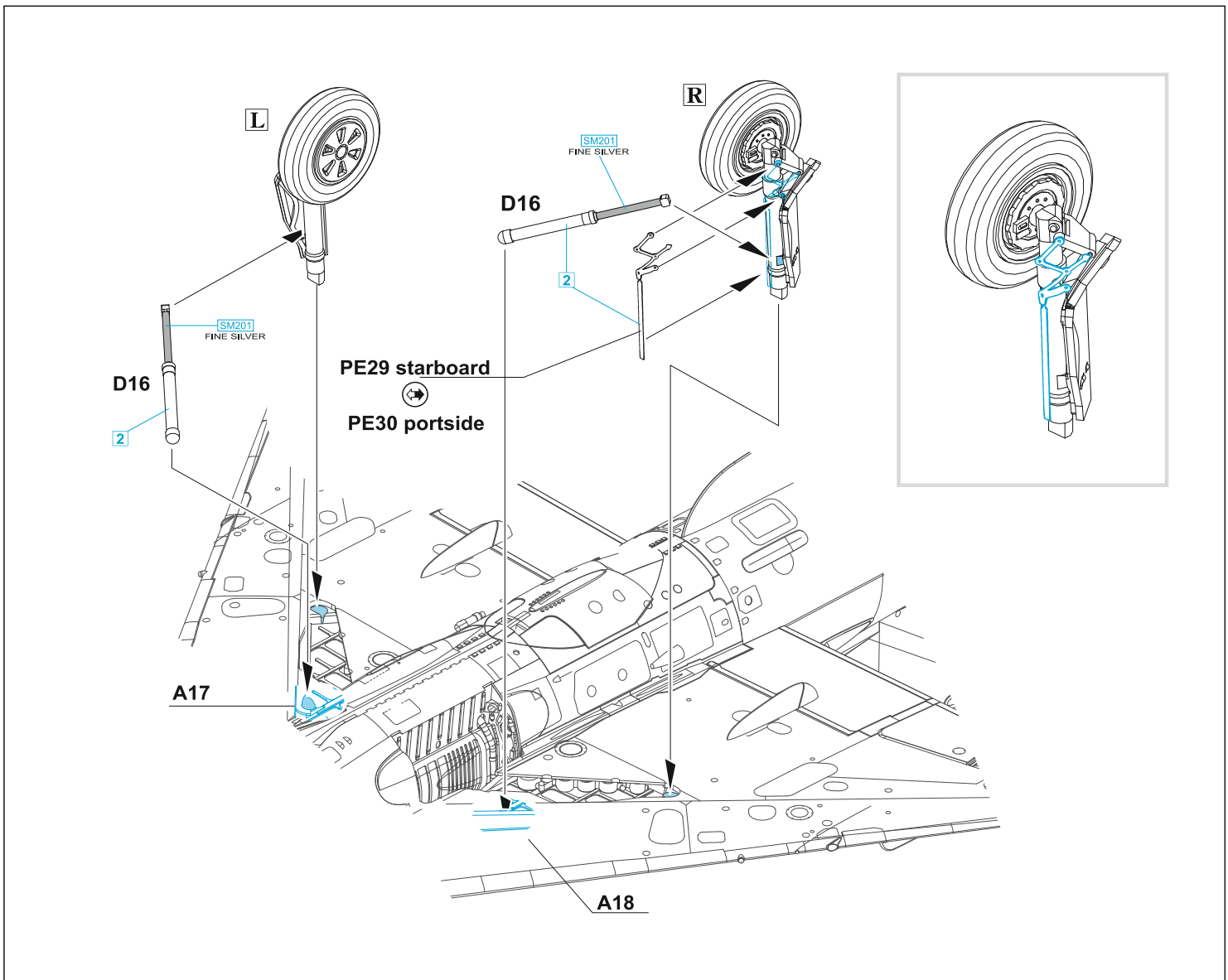
K5 - MARKINGS A, F, H
 K5, K22 - MARKING D



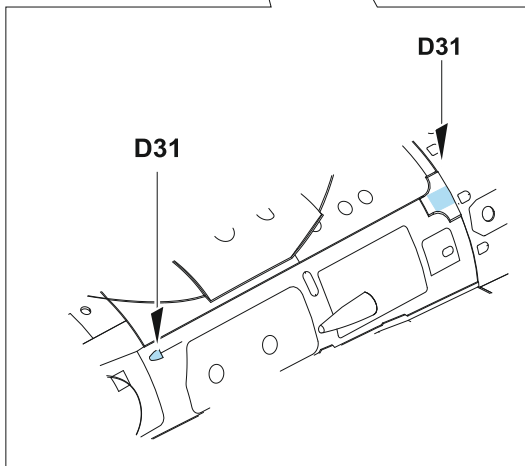
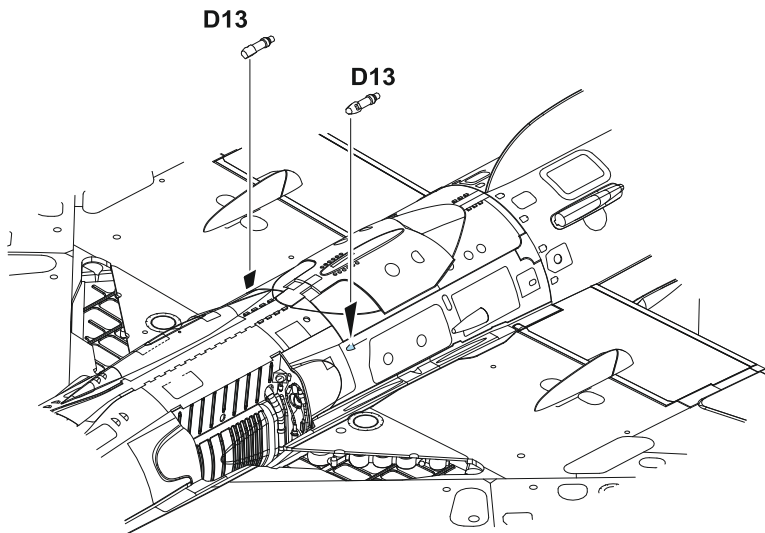
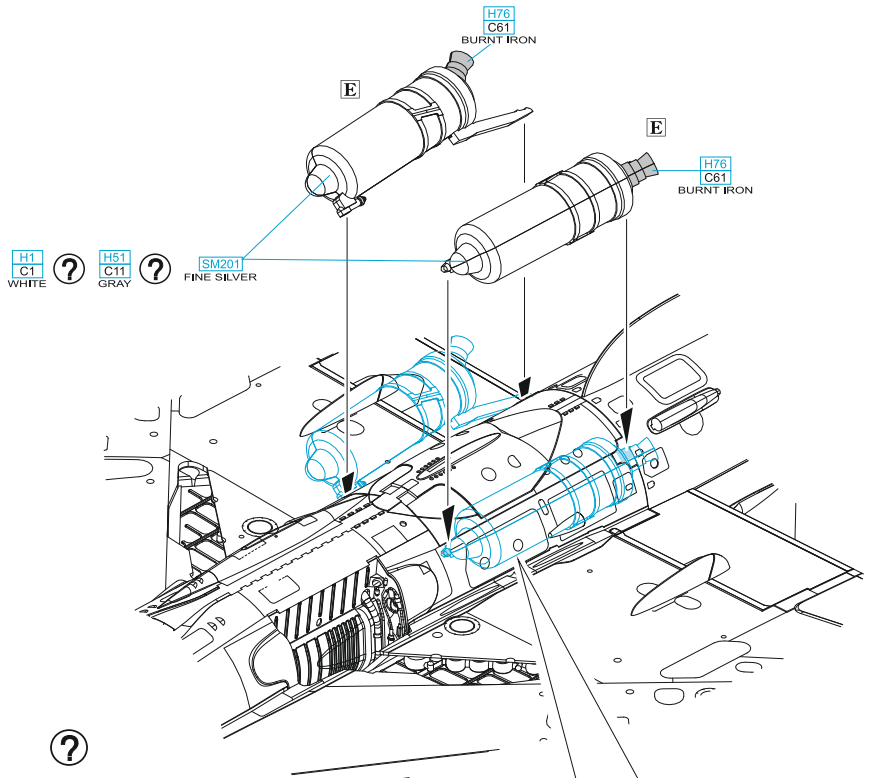
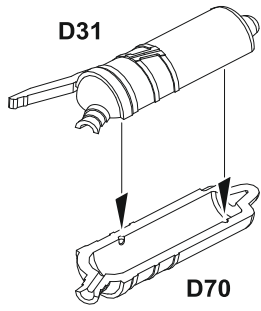
PE22 - MARKINGS A, B, C, D, E, F, H, I
 K4 - MARKING J





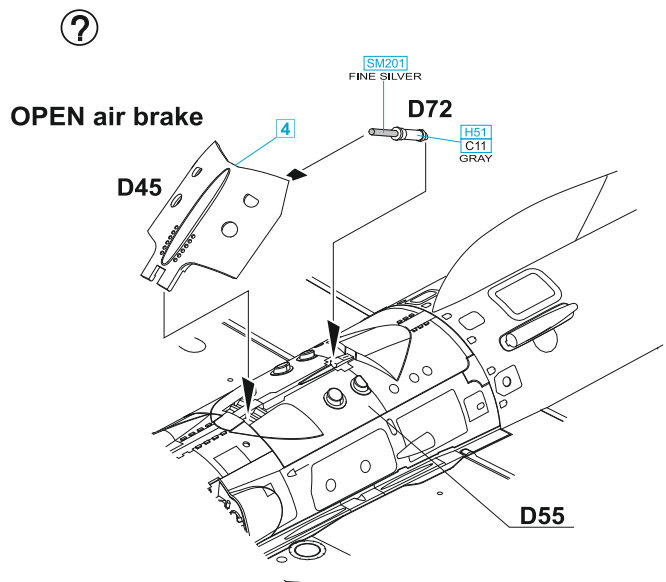
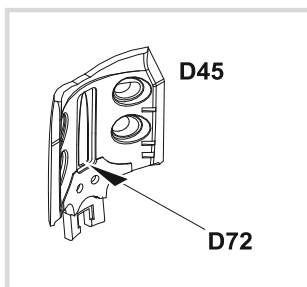


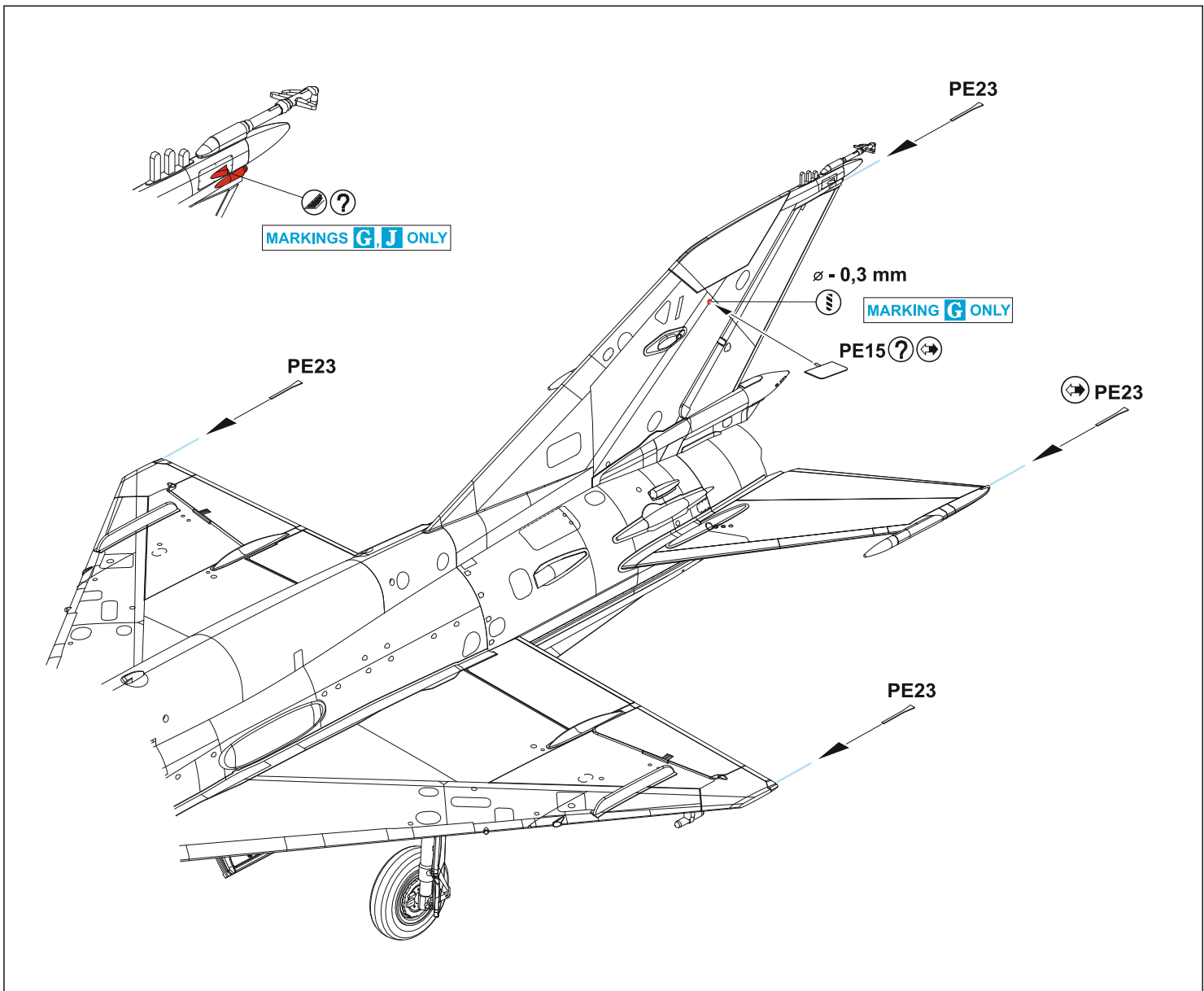
E 2 pcs.



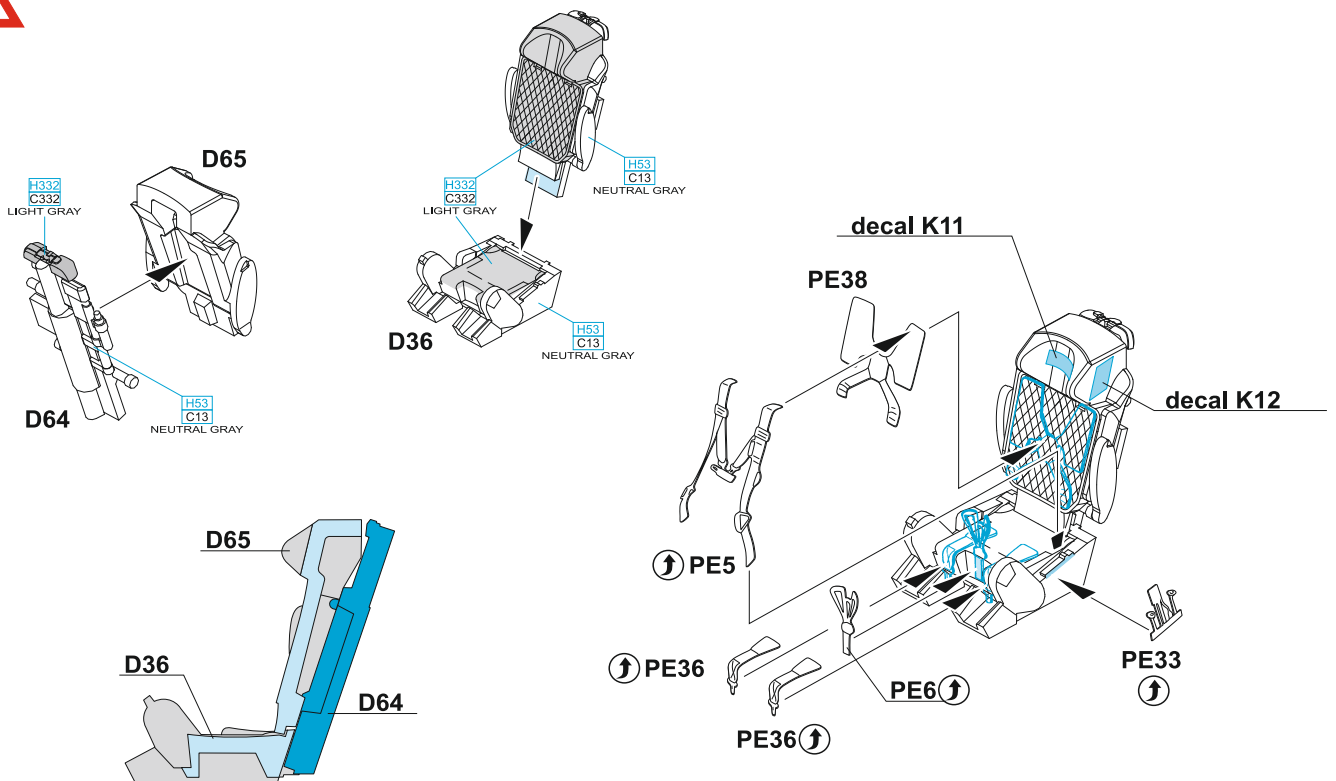
4 =

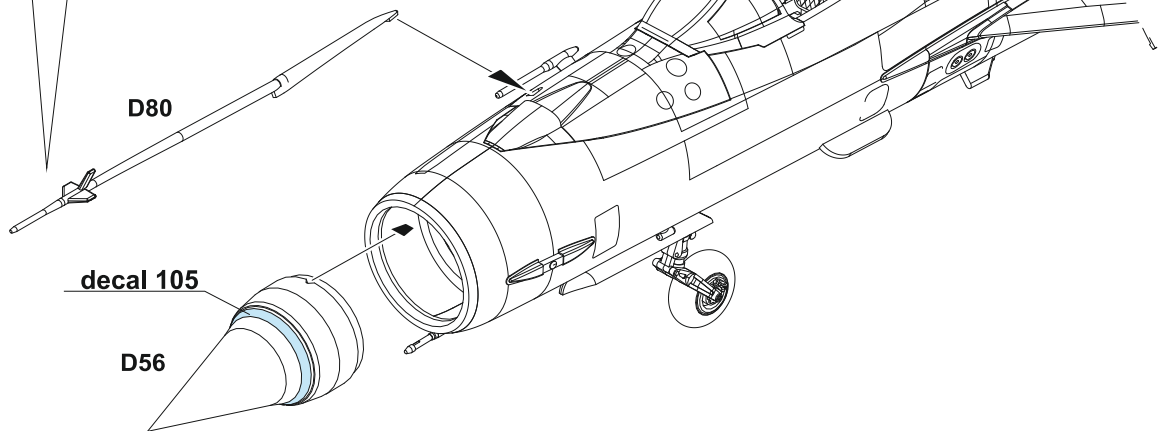
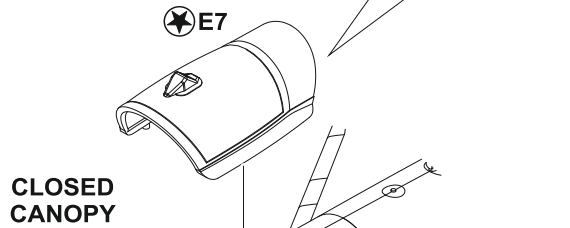
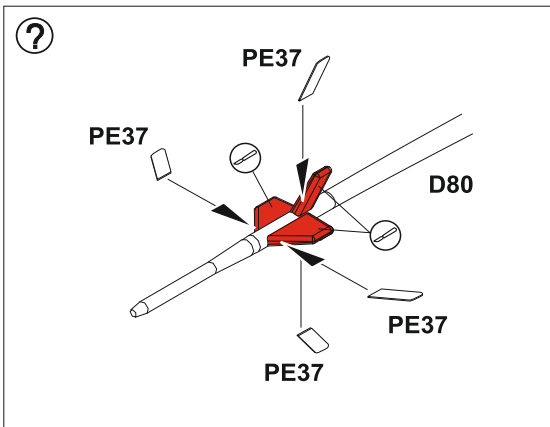
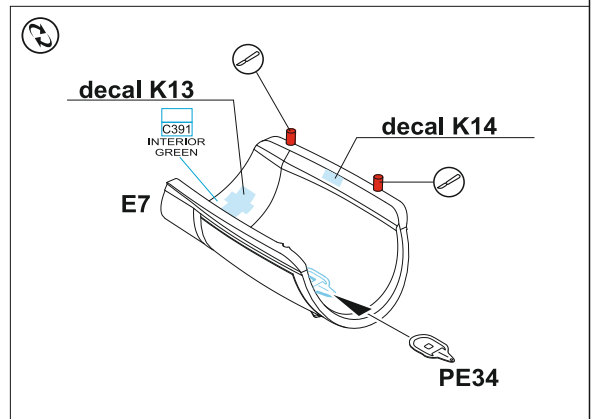
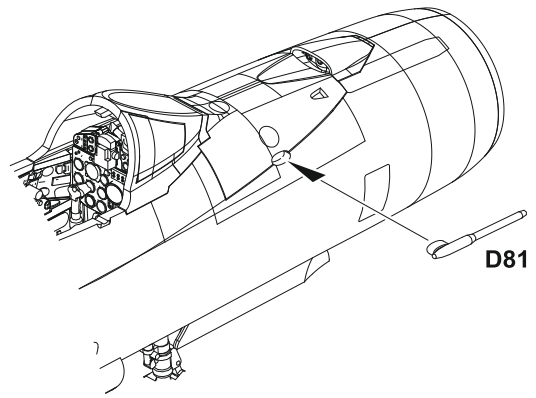
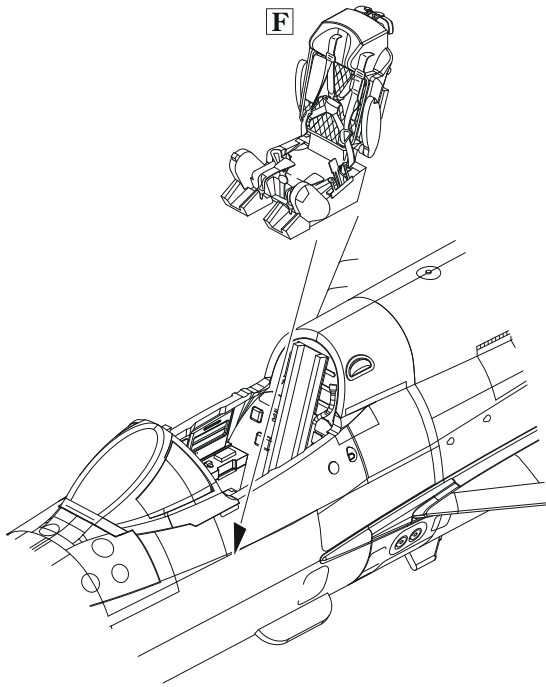
H67	- MARKINGS A,C,D,F
C115	RLM65
	LIGHT BLUE
H51	- MARKINGS B,E,G,H,I,J
C11	GRAY

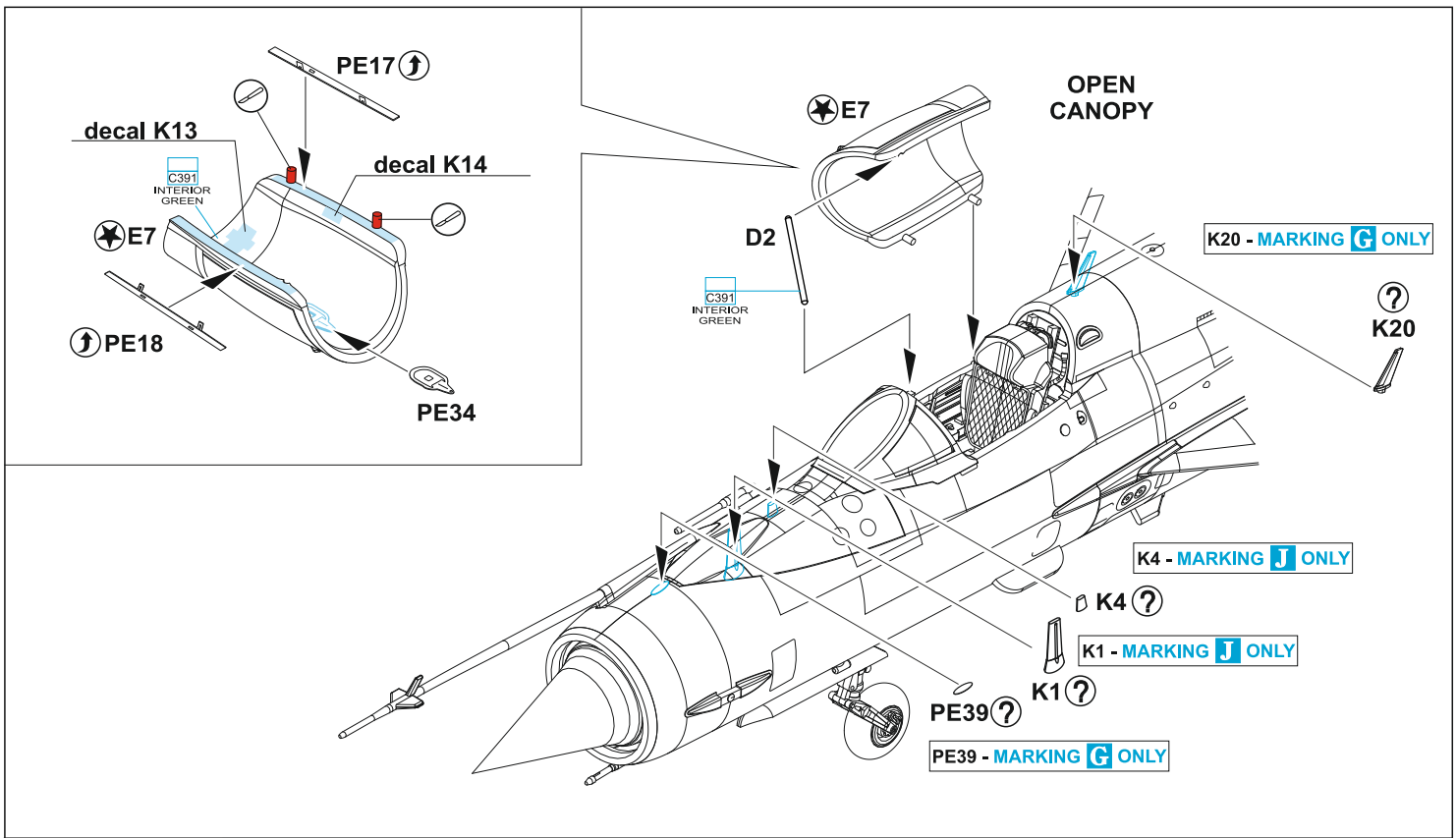




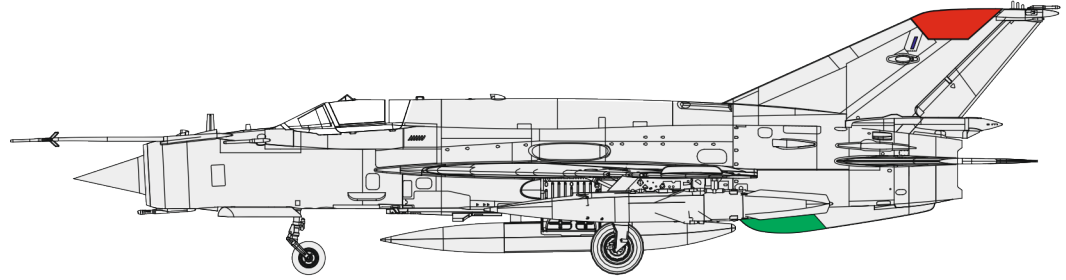
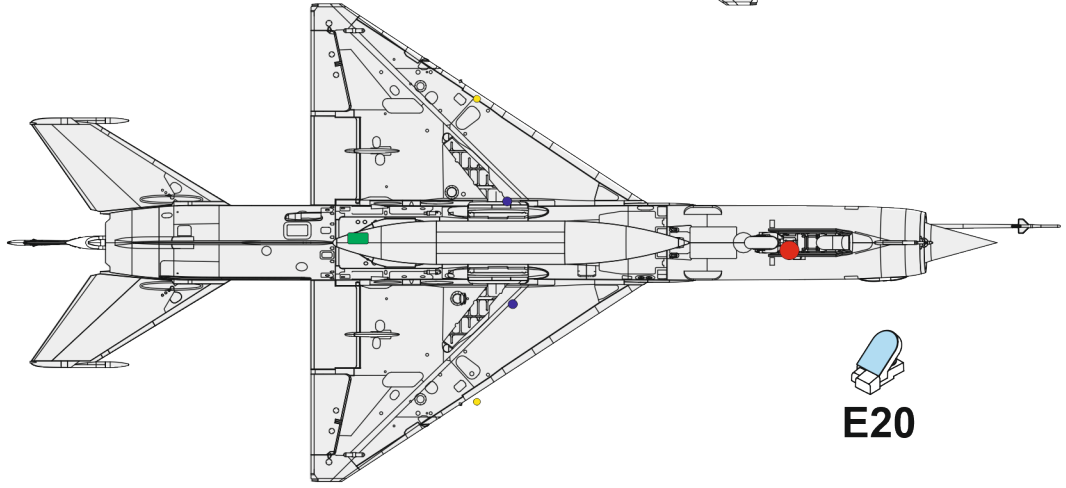
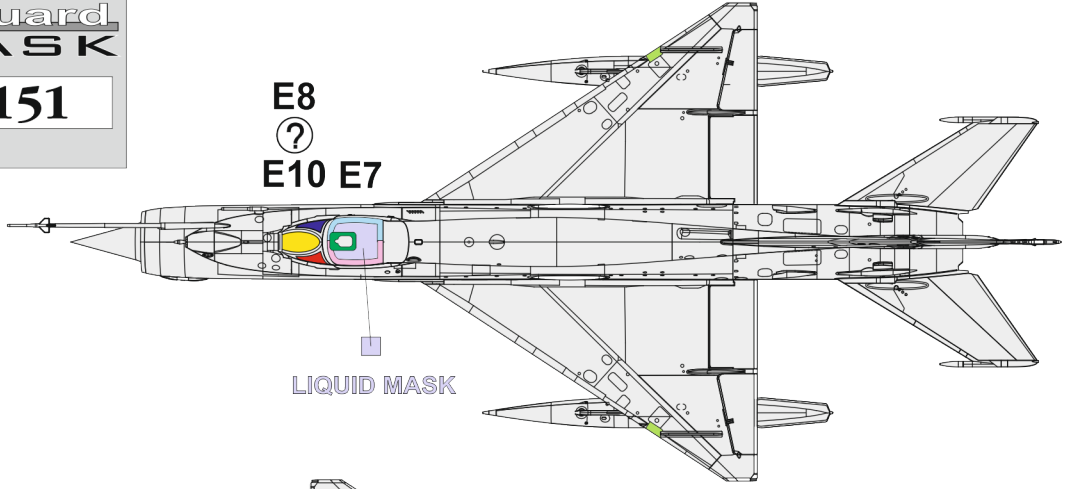
F



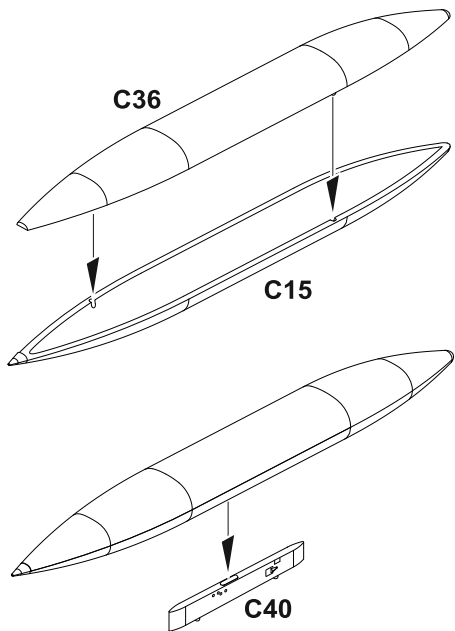




eduard
MASK
2151

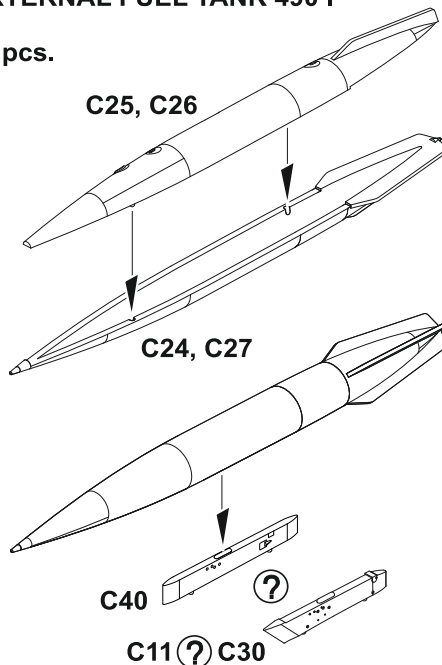


EXTERNAL FUEL TANK 800 I

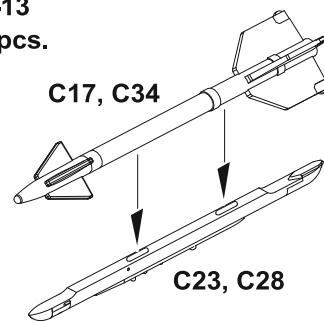


EXTERNAL FUEL TANK 490 I

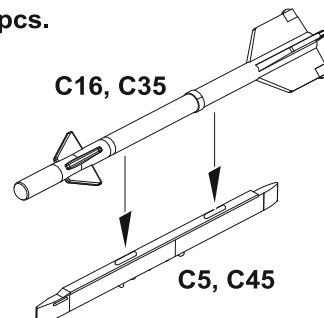
2 pcs.



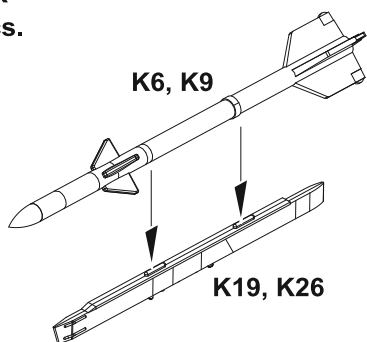
R-13
2 pcs.



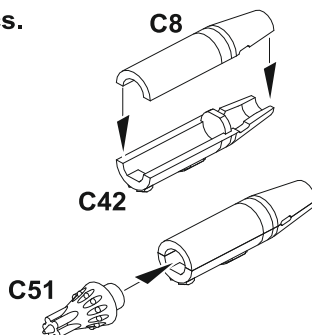
R-3S
2 pcs.



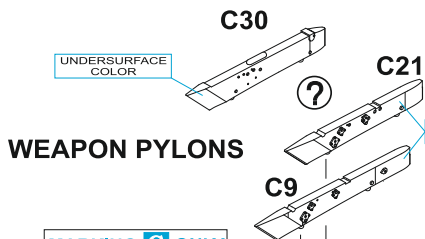
R-3R
2 pcs.



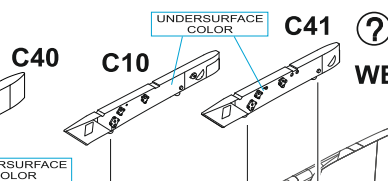
UB-16
2 pcs.



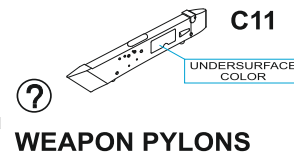
EXTERNAL FUEL TANK PYLONS



EXTERNAL FUEL TANK PYLONS



EXTERNAL FUEL TANK PYLONS



MARKING G ONLY

K24 ?

? PE35

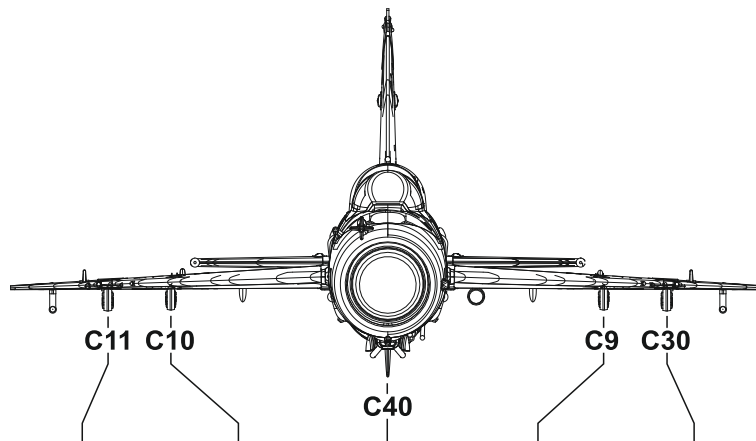
∅ - 0,3 mm



MARKING G ONLY

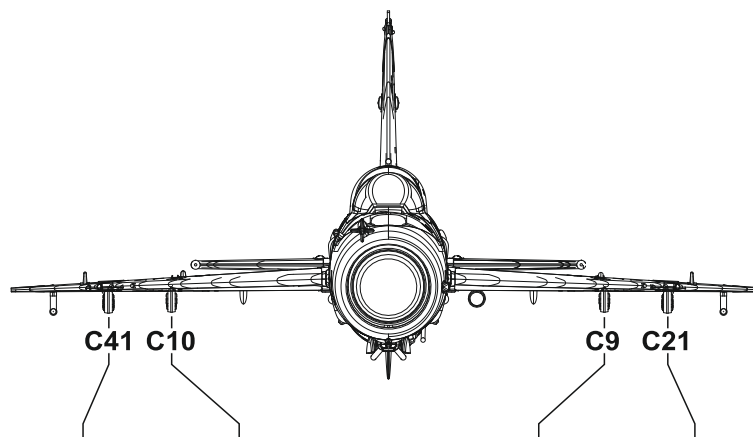
PE8 ?

∅ - 0,3 mm



EXTERNAL FUEL TANK 800 I	○			
EXTERNAL FUEL TANK 490 I	⊗			
EXTERNAL FUEL TANK 490 I	⊗			⊗
EXTERNAL FUEL TANK 490 I 2x UB-16	⊗	●	●	⊗

TYPICAL ARMAMENT FOR QUICK REACTION ALERT DUTY

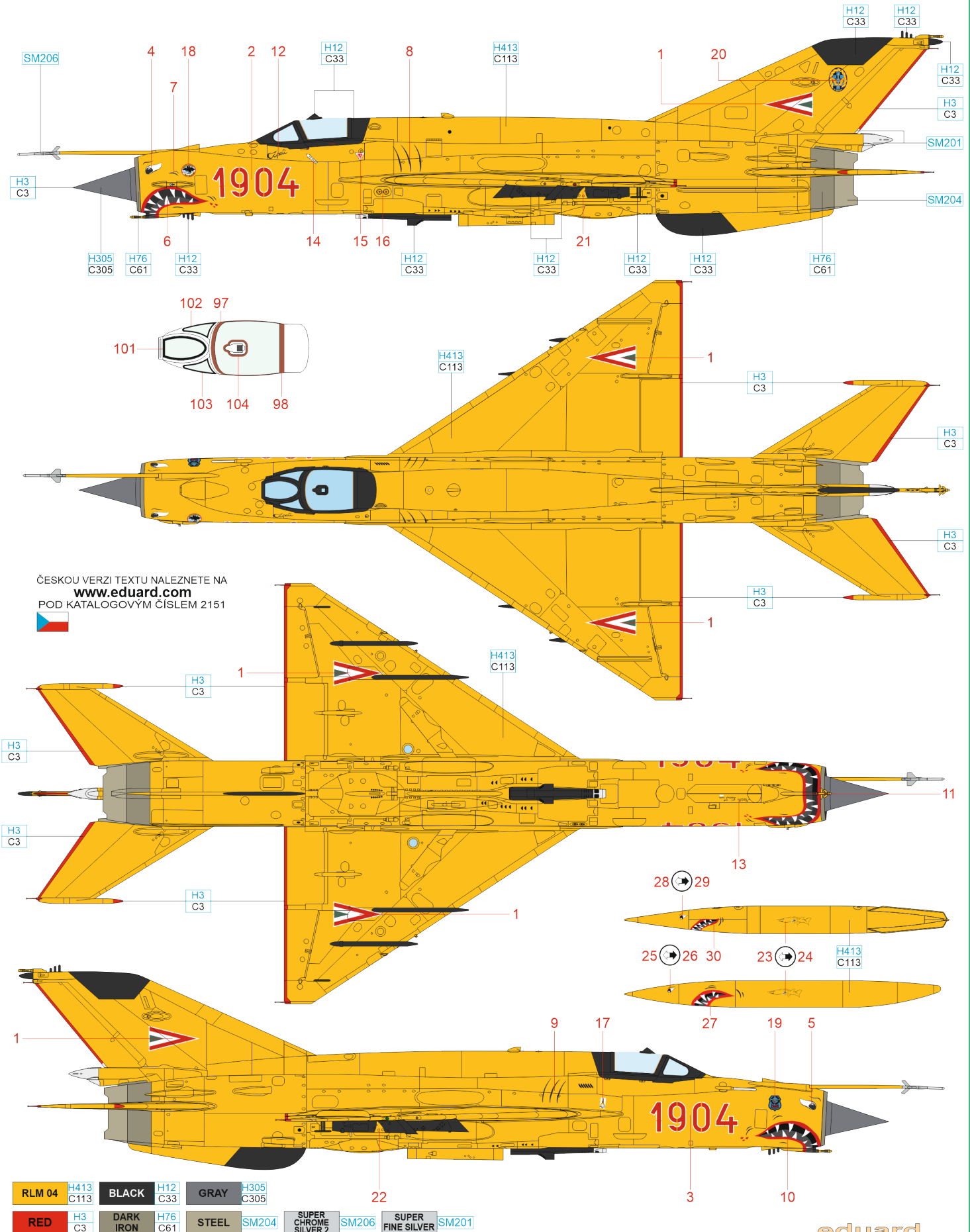


2x R-3R	C5	K26	K19	C45
2x R-3S	⊗	⊗	⊗	⊗
2x R-R3	C23	K26	K19	C28
2x R-13	⊗	⊗	⊗	⊗
4x UB-16	●	●	●	●

TO CHOOSE WEAPON AND EXTERNAL FUEL TANK OPTION PLEASE FOLLOW YOUR REFERENCE.

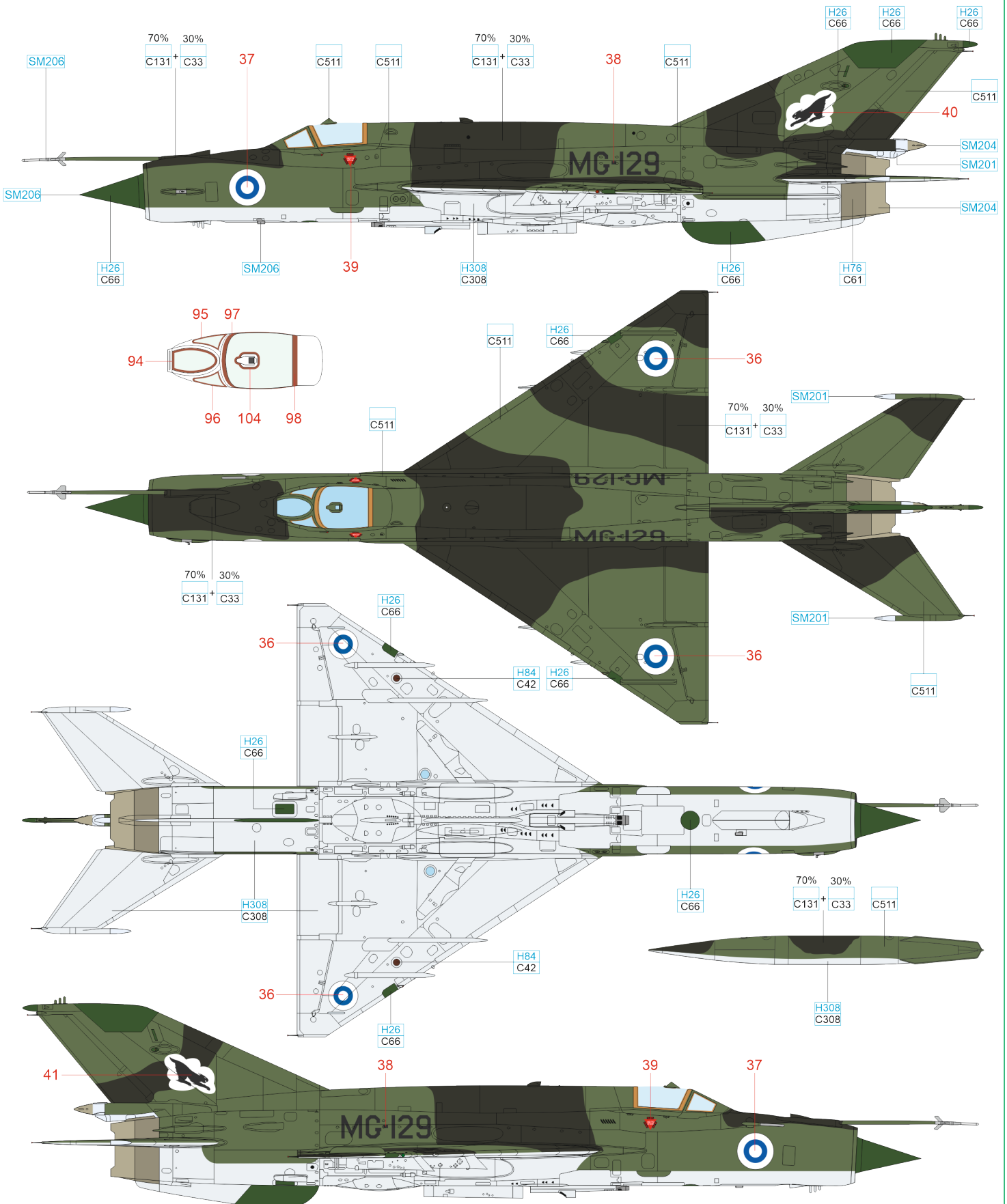
A MiG-21bis, c/n 75061904, 2 Fighter Squadron, Tazsár Air Force Base, Hungary, 1993

Ground personnel from Tazsár Air Base sprayed a special paint scheme on the MiG-21bis in 1992. The purpose of the coloring was to represent the enemy aircraft in combat training. The color scheme shown here is a representation of the aircraft's appearance at the 1993 International Air Tattoo in Fairford. The aircraft named Capeti (shark) 1904 is currently on display at the Szolnok Air Museum in a similar color scheme to the one it flew in 1992.



C MiG-21BIS, c/n 75084300, HävLLv 31, Kuopio airbase, Finland, 1980 – 1981

This aircraft was accepted for service on July 17, 1980, and assigned to 31 Fighter Squadron (Hävittäjälentolaivue 31, abbreviated HävLLv 31). It became the last of six Finnish MiG-21BIS fighters to be modified for reconnaissance tasks. After the modification, the aircraft was assigned to TiedLLv (Reconnaissance Squadron) and following its end of service it was used as a teaching aid at the Technical School located at the Kuopio Air Base. The aircraft is shown as it appeared between 1980 and 1981 before being upgraded with western avionics, which included cockpit instrumentation. Unlike other users, Finland used capital letters for designation of their MiGs, that's why it is written as BIS here as well.



GRAY	H308 C308	BLACK	H12 C33	RED BROWN	C131	GREEN	C511
MAHOGANY	H84 C42	BRIGHT GREEN	H26 C66	DARK IRON	H76 C61	STEEL	SM204
						SUPER CHROME SILVER 2	SM206
							SUPER FINE SILVER SM201

ČESKOU VERZI TEXTU NALEZNETE NA
www.eduard.com

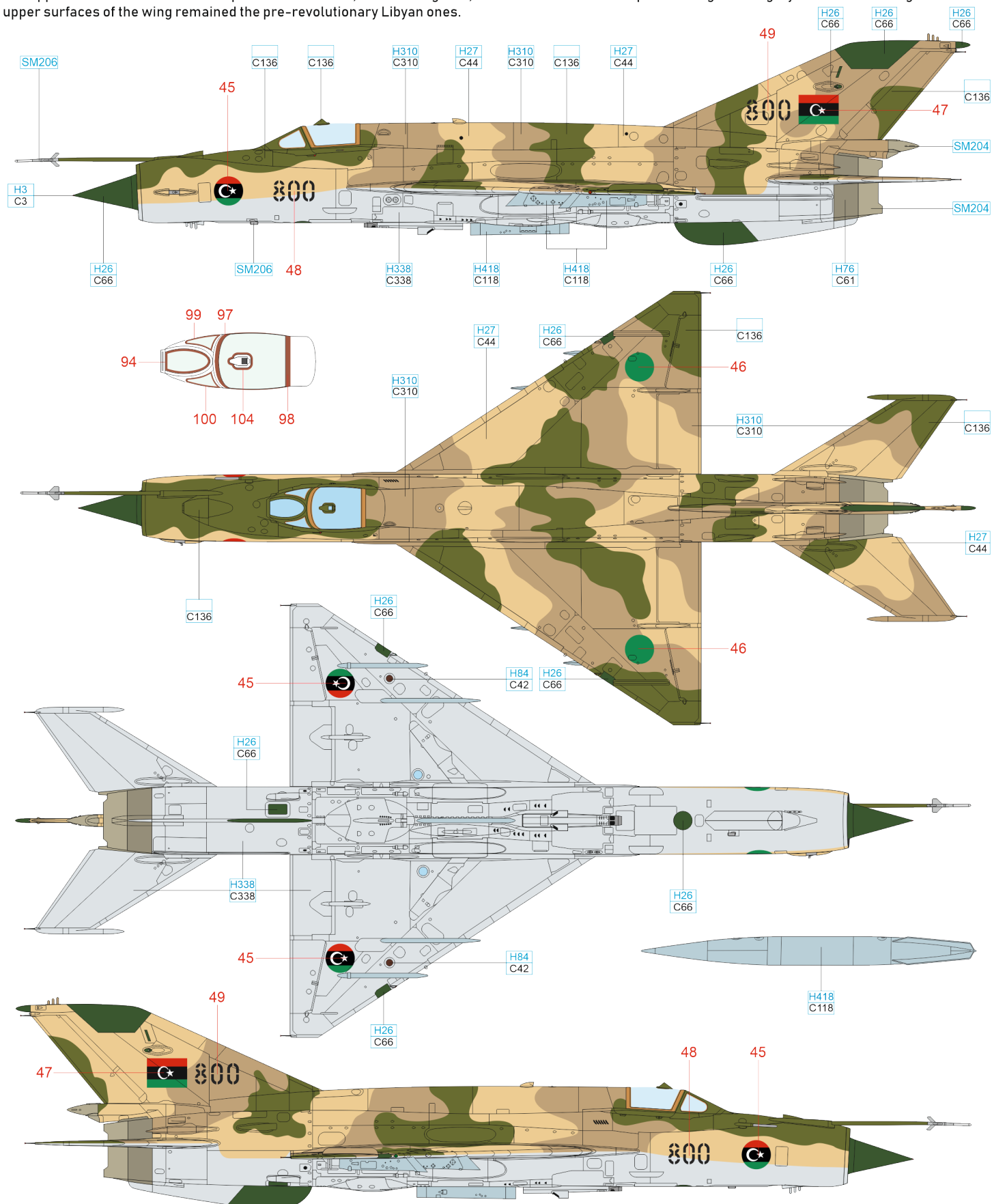
POD KATALOGOVÝM ČÍSLEM 2151



eduard

E MiG-21bis, Free Libyan Air Force, Tobruk, Libya, November 2011

The Free Libyan national army, under the leadership of General Khalifa Haftar, occupied several air bases after its formation, some of which yielded airworthy examples of aircraft abandoned by forces loyal to Muammar Gaddafi. One of these was this one, which was subsequently coded "800" and was flown by pilots of the Free Libyan National Army. The Free National Army, under Haftar's leadership, added to their inventory aircraft from occupied airfields (MiG-21s, MiG-23s, Mirage F-1s and Su-22s) and purchased other ones from foreign sources (these again were MiG-21s and 23s, along with Mi-24/35 helicopters). The camouflage scheme of this particular aircraft hails from the days of Khaddafi and was first displayed at Lavex in 2007 in Tripoli. The upper and side surfaces of this plane were in sand, brown and green, the lower surfaces were painted a light blue-grey. The national insignias on the upper surfaces of the wing remained the pre-revolutionary Libyan ones.



MAHOGANY	H84 C42	TAN	H27 C44	GREEN	C136	LIGHT BROWN	H310 C310	SUPER CHROME SILVER 2	SM206
RED	H3 C3	BRIGHT GREEN	H26 C66	LIGHT BLUE	H418 C118	LIGHT GRAY	H338 C338	DARK IRON	H76 C61
								STEEL	SM204

ČESKOU VERZI TEXTU NALEZNETE NA
www.eduard.com

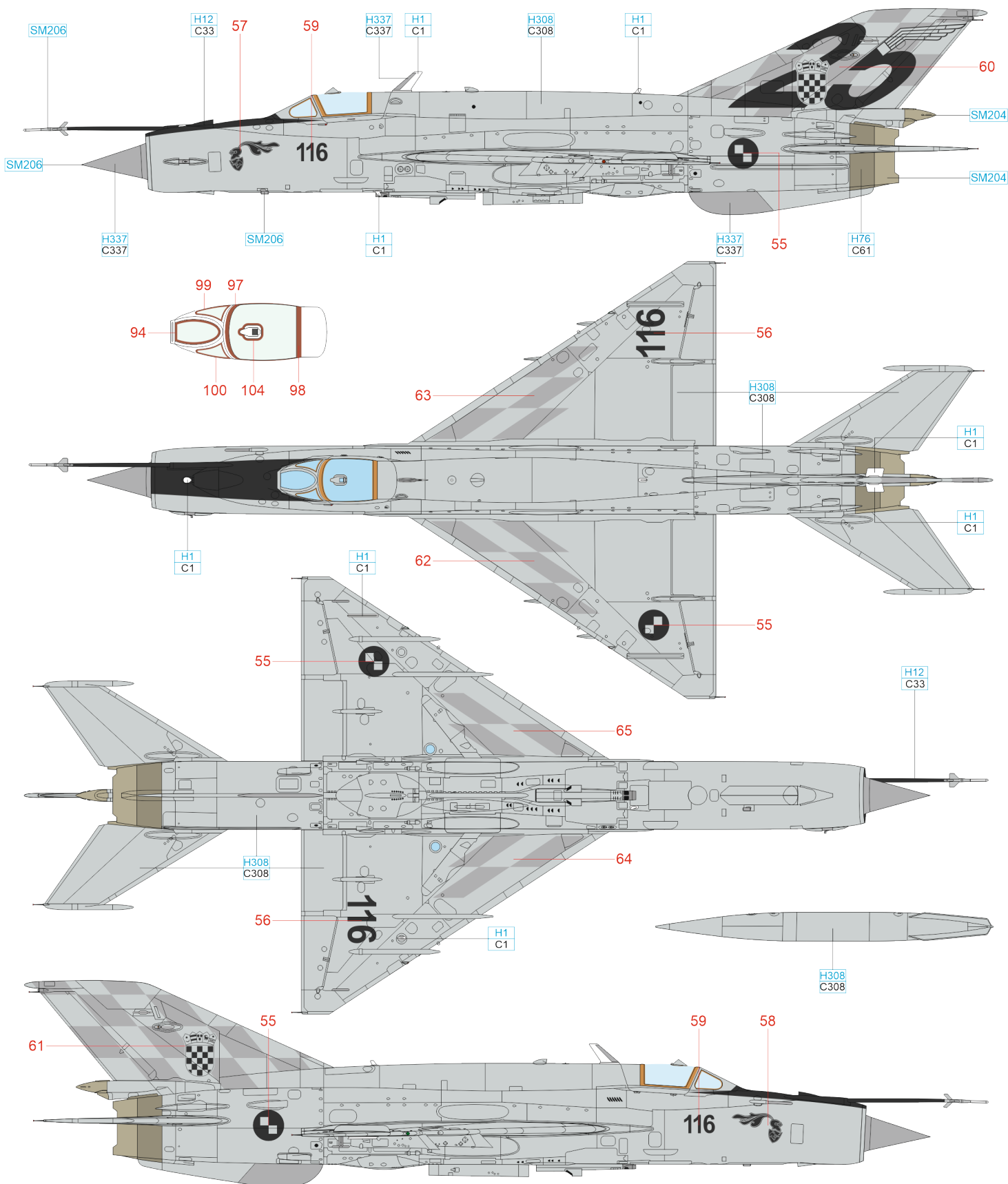
POD KATALOGOVÝM ČÍSLEM 2151



eduard

G MiG-21bisD, Eskadrila borbenih aviona, HRZ i PZO, Zagreb-Pleso, Croatia, December 2016

The Croatian Air Force purchased forty MiG-21bis fighters and MiG-21UM trainers from Ukraine in 1995. In 2003, eight MiG-21bis aircraft were modernized to bisD standard in Romania. The modernization program included an upgrade of the navigation, communication and IFF equipment. In 2014, another modernization took place involving seven Croat MiG-21bisD/UMD aircraft, along with the purchase of five other aircraft from a repair facility in Odessa. The modernized aircraft received an all-grey camouflage scheme. Aircraft coded 116 received a stylized number 25 on the left side of the fin to commemorate 25th anniversary of the Croatian Air Force.



BLACK	H12 C33	GRAY	H337 C337	GRAY	H308 C308
WHITE	H1 C1	DARK IRON	H76 C61	STEEL	SM204
			SUPER CHROME SILVER 2		SM206

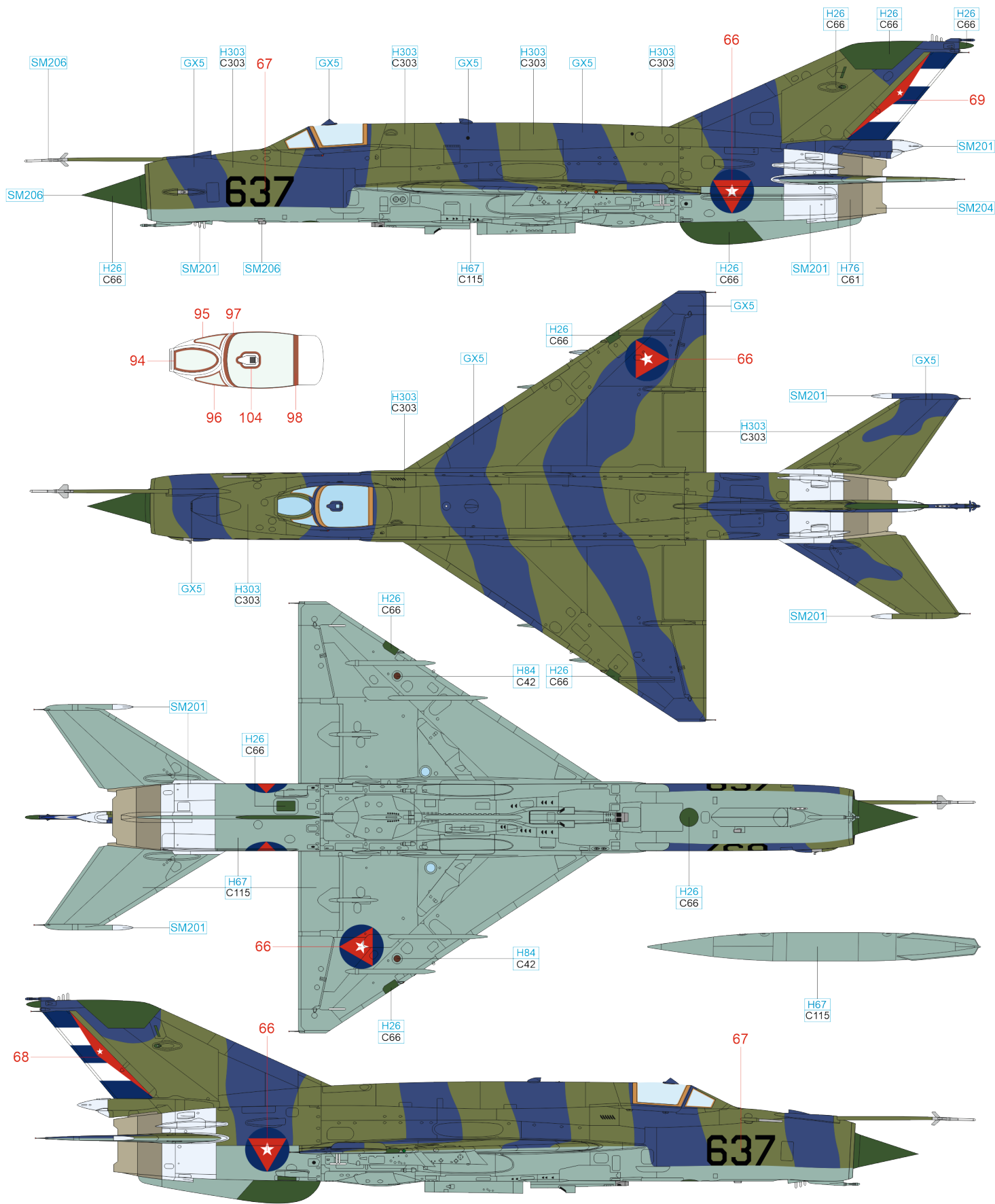
ČESKOU VERZI TEXTU NALEZNETE NA
www.eduard.com
 POD KATALOGOVÝM ČÍSLEM 2151



eduard

H MiG-21bis, San Antonio de los Baños, Cuba, 1990

Deliveries of the most modern MiG-21bis aircraft to the Cuban Air Force began in 1981. A total of eighty (with some sources claiming ninety) aircraft served in four regiments. After completing its military career, aircraft coded 637 was used as an instructional airframe at the Instituto Tecnico Militar in Havana. The aircraft was camouflaged in a green and blue-grey scheme, which was used by the Cubans from the beginning of the nineties.



LIGHT BLUE	H67 C115	GREEN	H303 C303	BLUE	GX5
MAHOGANY	H84 C42	BRIGHT GREEN	H26 C66	DARK IRON	H76 C61
		STEEL	SM204	SUPER CHROME SILVER 2	SM206
				SUPER FINE SILVER	SM201

ČESKOU VERZI TEXTU NALEZNETE NA
www.eduard.com

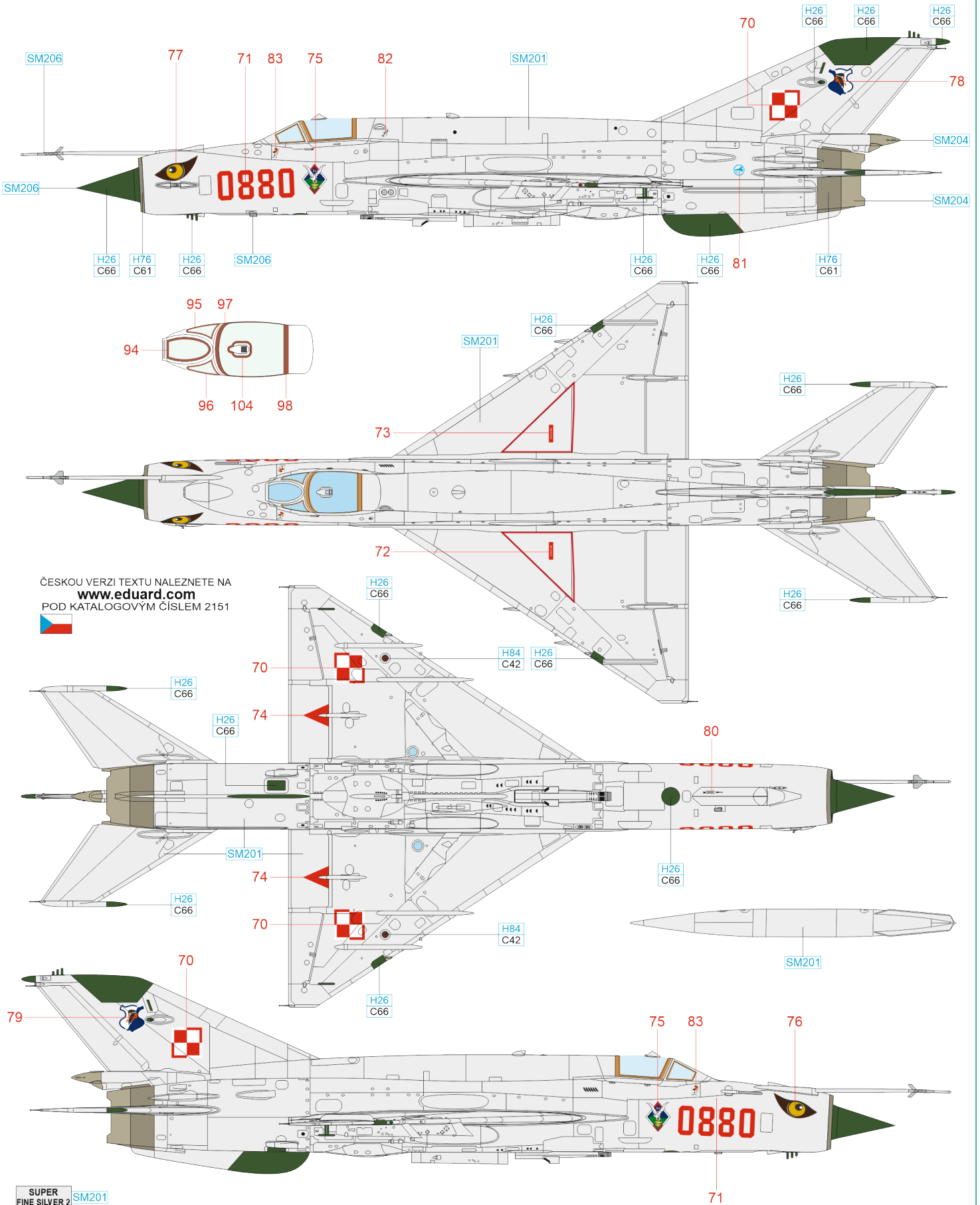
POD KATALOGOVÝM ČÍSLEM 2151



eduard

MiG-21bis, c/n 75080880, 1 Pucki DLMW, Lotnictwo Marynarki Wojennej, Gdynia-Babie Doły, Poland, late 1997

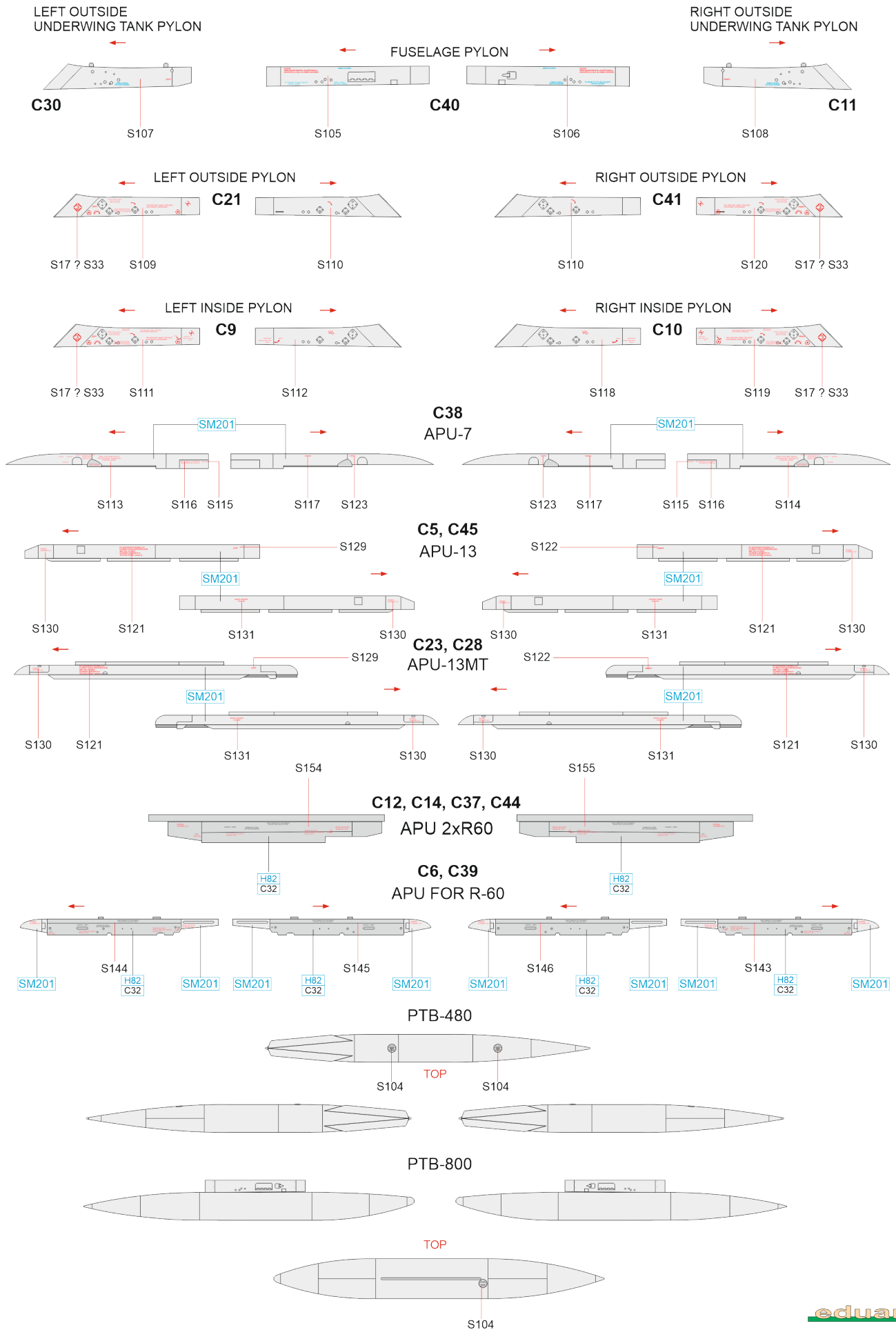
This aircraft was delivered to Poland on March 22, 1980 and was assigned to the 1 Pucki Dywizjon Lotniczy (Air Division) of the Polish Naval Forces. The emblem on the tail surface indicates service with the 2 Eskadra (Squadron) of the Division. The look of the plane evolved over time and in 2001 it flew with a sharkmouth and a tiger motif on the brake chute housing.



ČESKOU VERZI TEXTU NALEZNETE NA
www.eduard.com
POD KATALOGOVÝM ČÍSLEM 2151



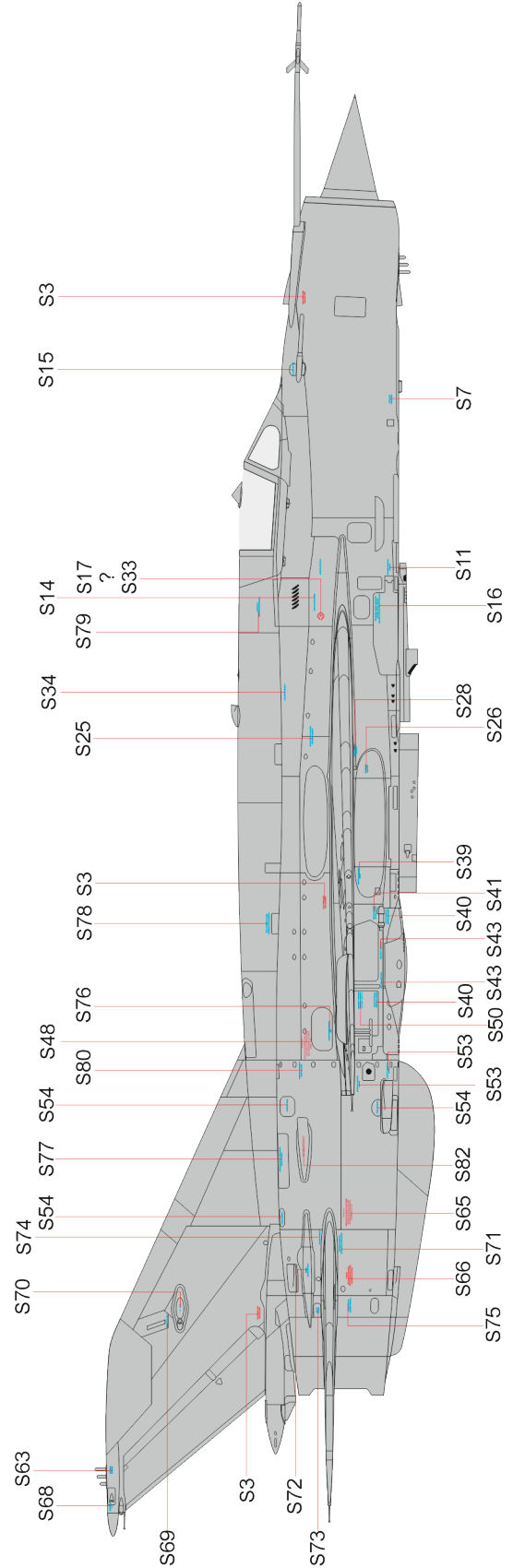
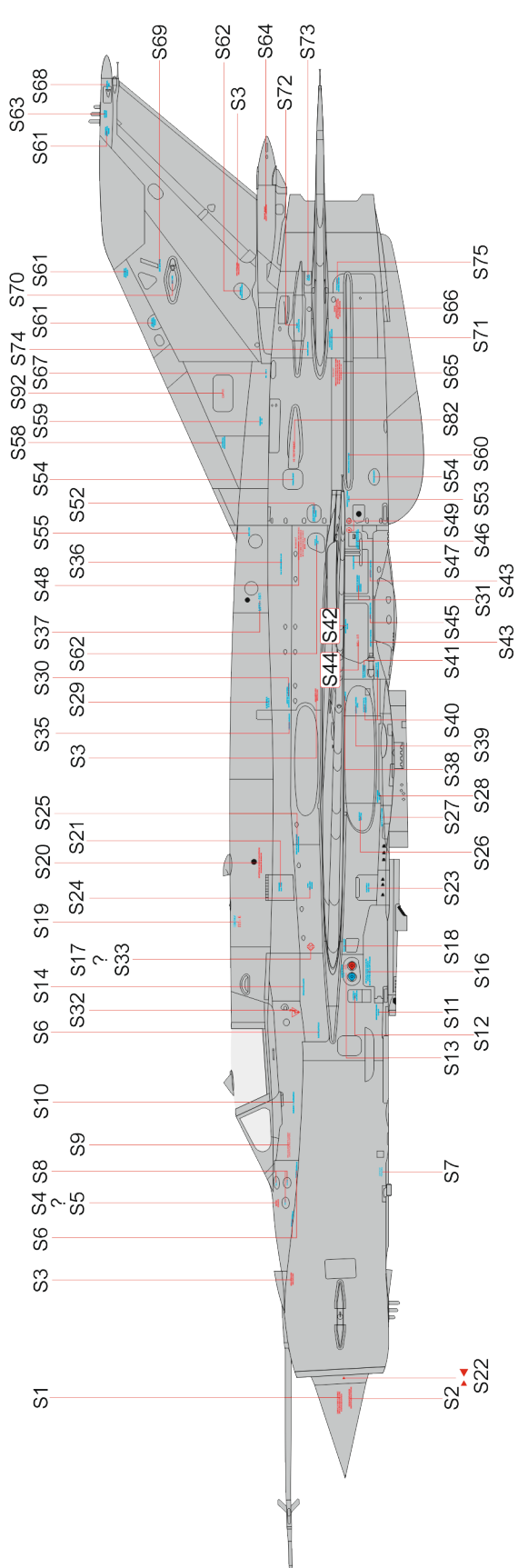
- SUPER FINE SILVER 2 SM201
- MAHOGANY H84 C42
- BRIGHT GREEN H26 C66
- DARK IRON H76 C61
- STEEL SM204
- SUPER CHROME SILVER 2 SM206



RED STENCILS - MARKINGS **B, C, D, E, F, G, H, I**

BLUE STENCILS - MARKINGS **B, L**

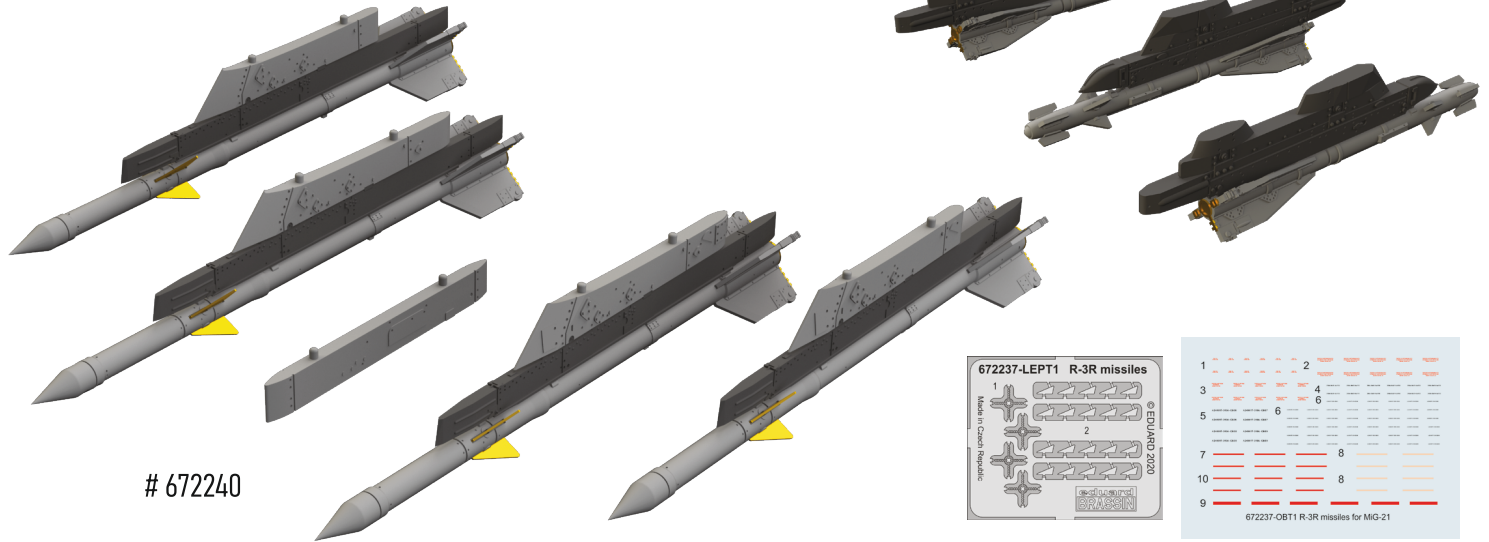
BLACK STENCILS - MARKINGS **C, D, E, F, G, H**



Eduard goodies for

MiG-21bis 1/72

- 672149 R-60 / AA-8 Aphid (Brassin)
- 672240 R-3R missiles w/ pylons for MiG-21 (Brassin)
- 3DL72064 MiG-21bis SPACE (3D Decal Set)
- D72055 MiG-21bis stencils (Decal Set)



Eduard also offers the following kits:

70142

eduard ProfIPACK edition

MiG-21MF Fighter Bomber scale 1/72

7469

eduard WEEKEND edition

MiG-21MF Interceptor scale 1/72

70144

eduard ProfIPACK edition

MiG-21PFM scale 1/72

7458

eduard WEEKEND edition

MiG-21MF Fighter Bomber scale 1/72