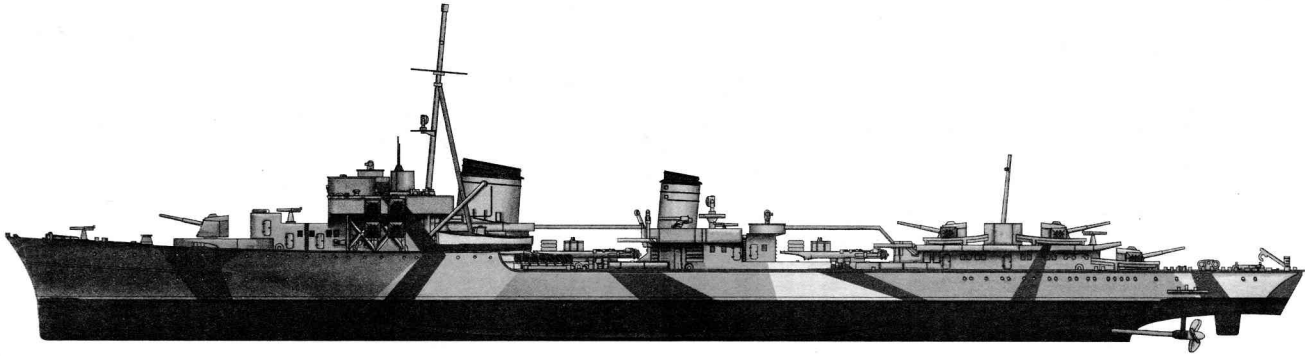


# German Zerstorer Z-30, 1942

德国海军Z-30驱逐舰1942年



## READ BEFORE ASSEMBLY:

- Study and understand these instructions thoroughly before beginning assembly
- When needed, remove photo-etch parts carefully using a modeling knife or photo etch sprue cutter, being careful not to damage or lose small parts.
- Take extra care in handling photo etch parts in order to avoid injury
- Apply instant cement sparingly to photo etch parts where instructed
- Tools recommended(not included in kit):Plastic and instant cements,sprue cutters,long nose pliers,,modeling knife, small files, tweezers, pin vise & scissors. Soft cloth and sandpaper will also assist in construction
- Glue and paint are not included in the kit. Use plastic cement and hobby paints only. Color guide for purchasing paint is included in the kit.

## 装配之前仔细阅读

- 小心用模型锉刀锉平所有零件表面的注射浇口。
- 小心用刀片切下蚀刻片零件，不要遗失小零件。
- 用强力快干胶水粘合蚀刻片零件和金属轴。过量的快干胶水使用可能导致可动零件会粘住，小心涂胶。
- 取蚀刻片时应特别注意安全，防止利边划伤手指。
- 某些零件表面需贴水上贴纸，请选择在装配的同时进行。
- 推荐模型工具(自备)：胶水，水口剪刀，长咀钳，刀片，锉刀，镊子，钳，钻，剪刀，瞬间快干胶。
- 软布同砂纸同时也应该是必备工具。
- 请使用塑料胶水和油漆，模型内不含。



贴纸  
Decal



锉平  
File / Sand



选择  
Option



不涂胶水  
No cement



弯曲  
Bend



使用强力胶  
Cyanoacrylate glue



配重  
Weight



钻孔  
Make hole



切除  
Cut / Remove

## 水贴纸的使用:

1. 从水贴纸上剪下印花;
2. 将印花放入温水中浸10秒，然后放在干净布上。
3. 拿着印花纸板将印花移到模型上;
4. 手指蘸水将印花移到适当的位置;
5. 用软布轻压印花直至水干，气泡消失。

## DECAL APPLICATION

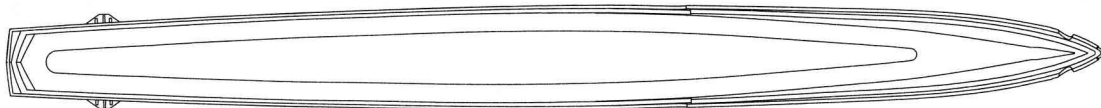
1. Cut off decal from sheet.
2. Dip the decal in tepid water 40°C for about 10 sec. and place on a clean cloth.
3. Hold the backing sheet edge and slide decal onto the model.
4. Move decal into position by wetting decal with finger.
5. Press decal gently down with a soft cloth until excess water and air bubbles are gone.
6. Allow decal to dry completely before handling model.

# 部品图

## Parts

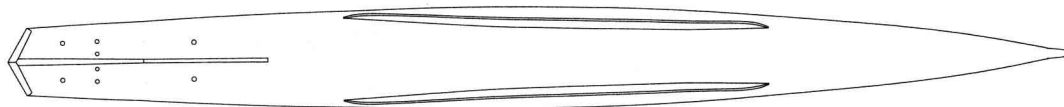
《上船体》

Upper hull



《下船底》

Lower hull

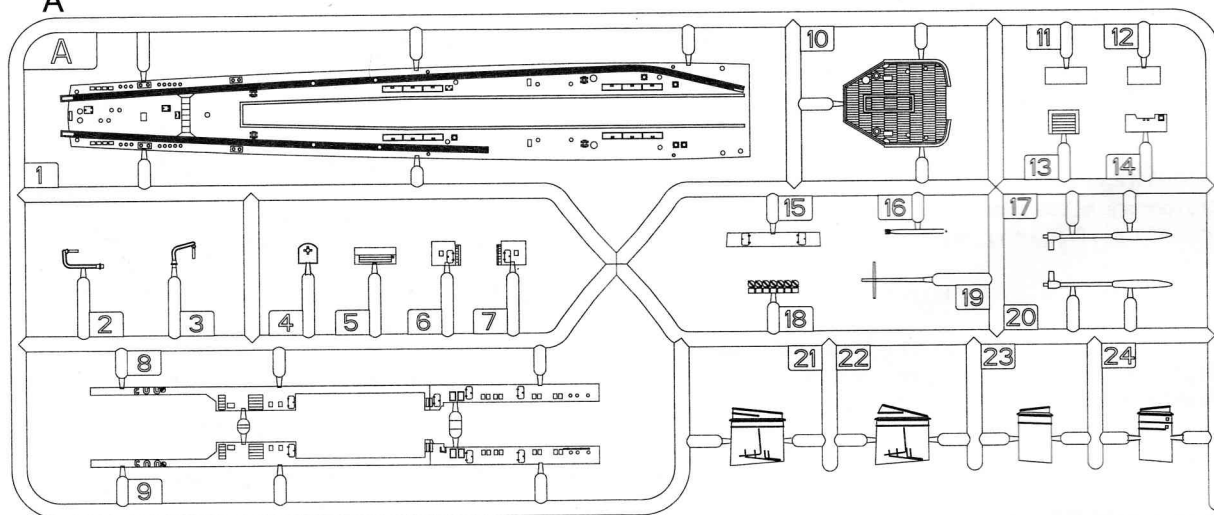


《水线板》

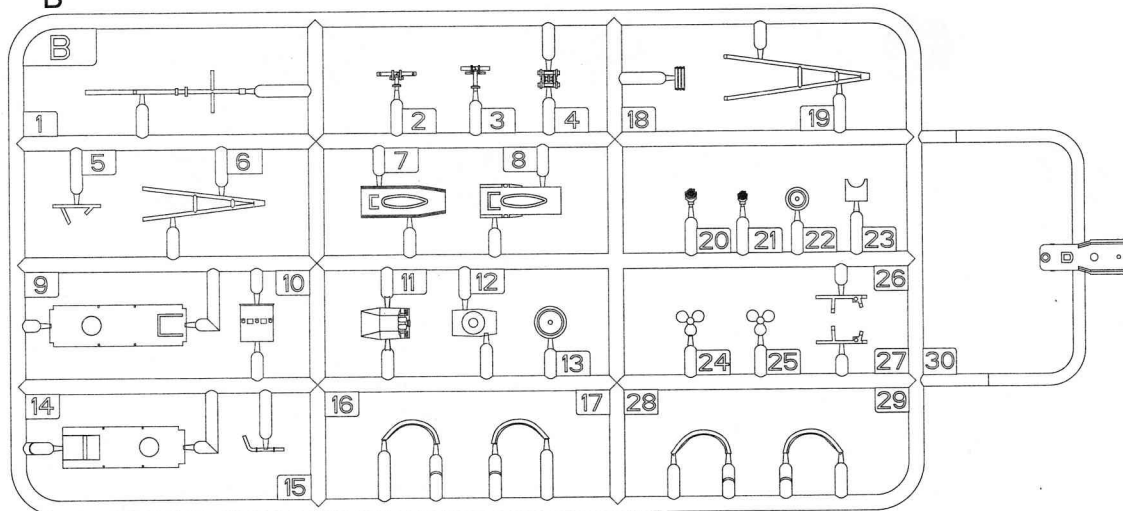
WL plate



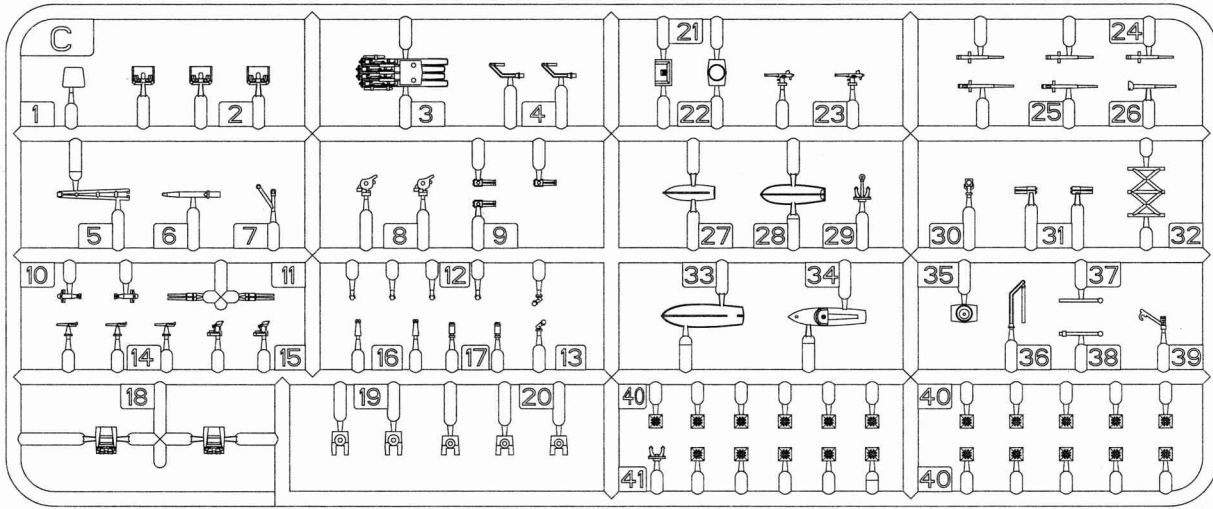
### A



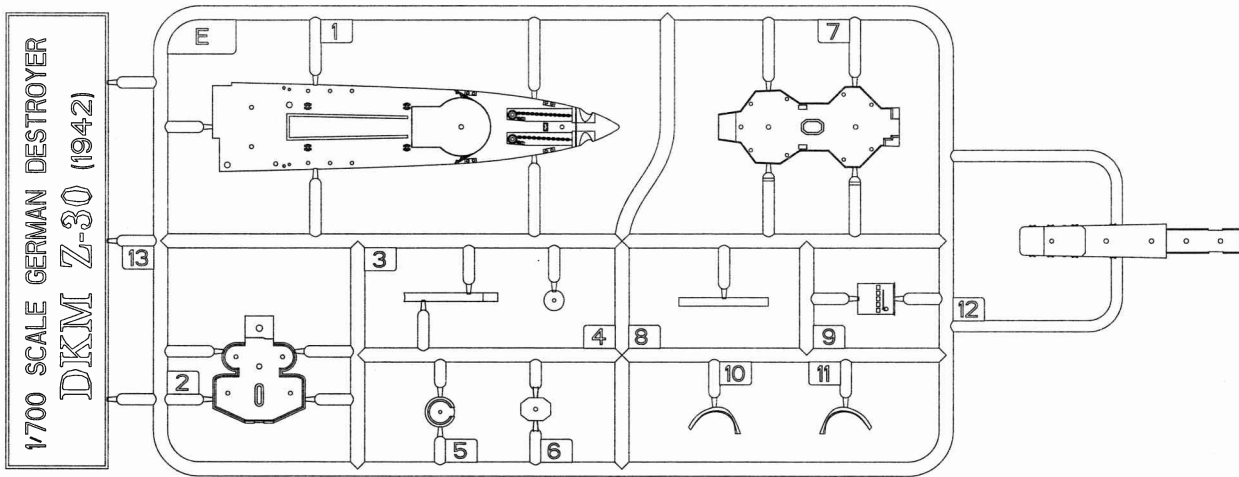
### B



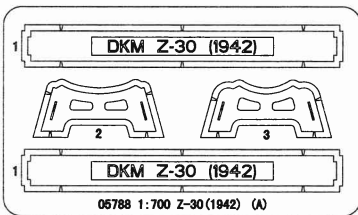
Cx2



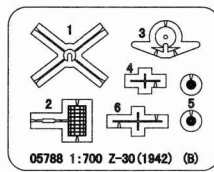
E



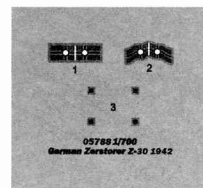
蚀刻片  
Etch(A)

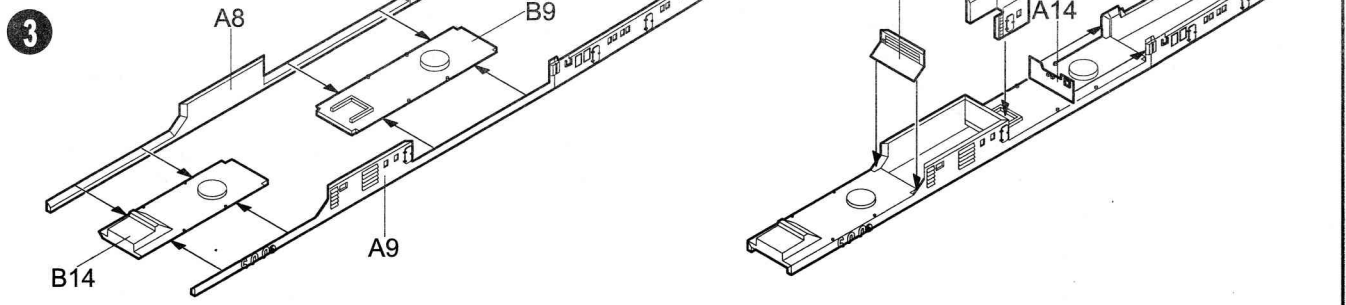
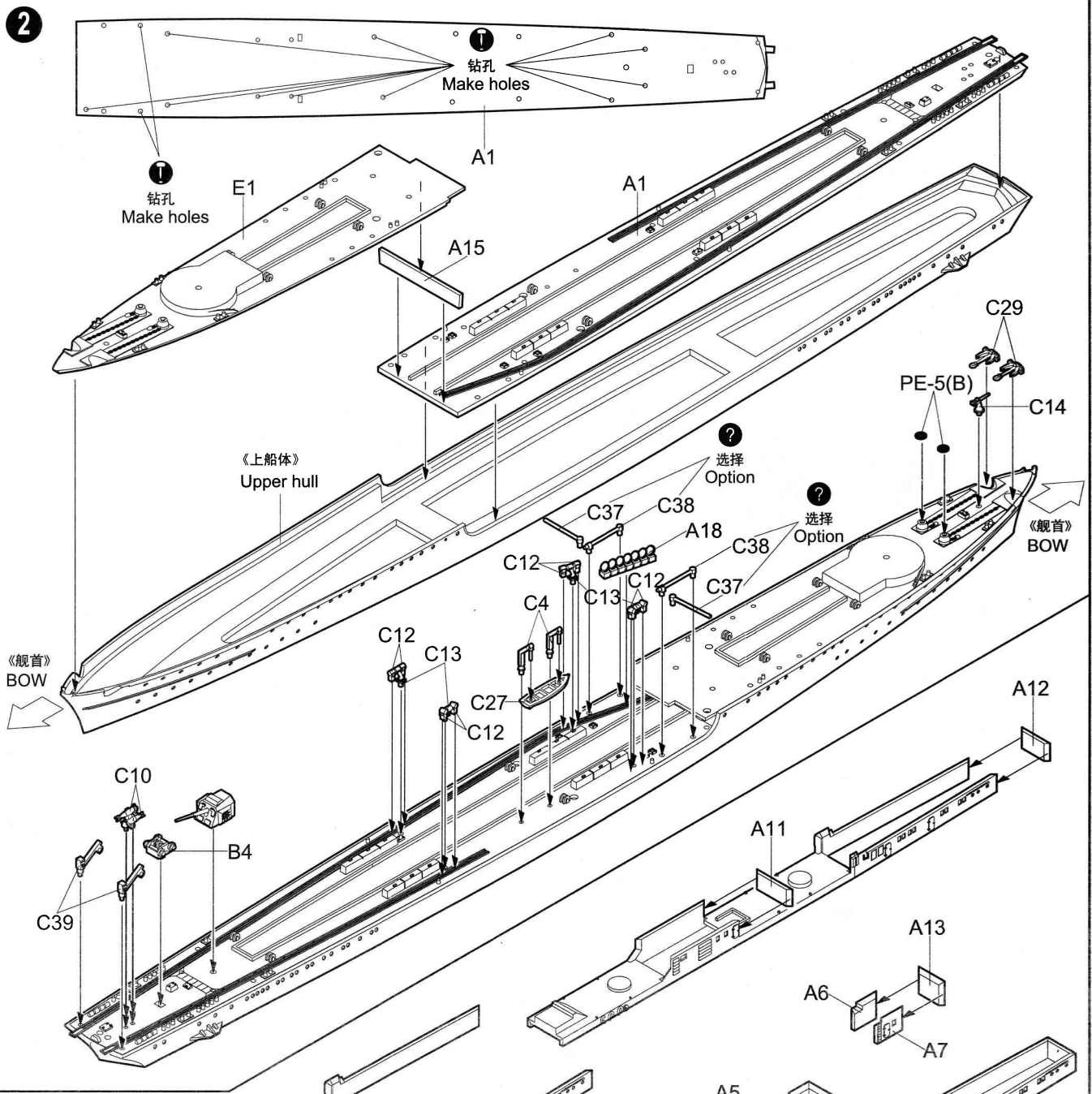
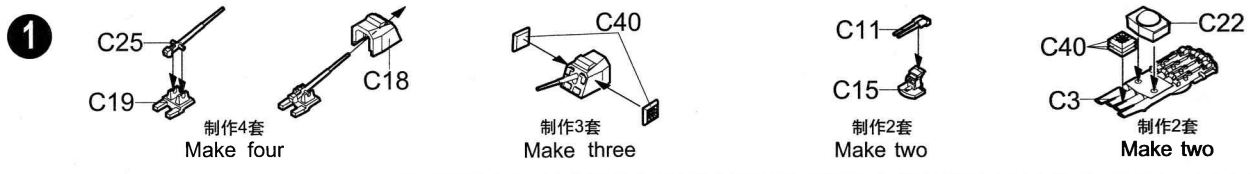


蚀刻片  
Etch(B)

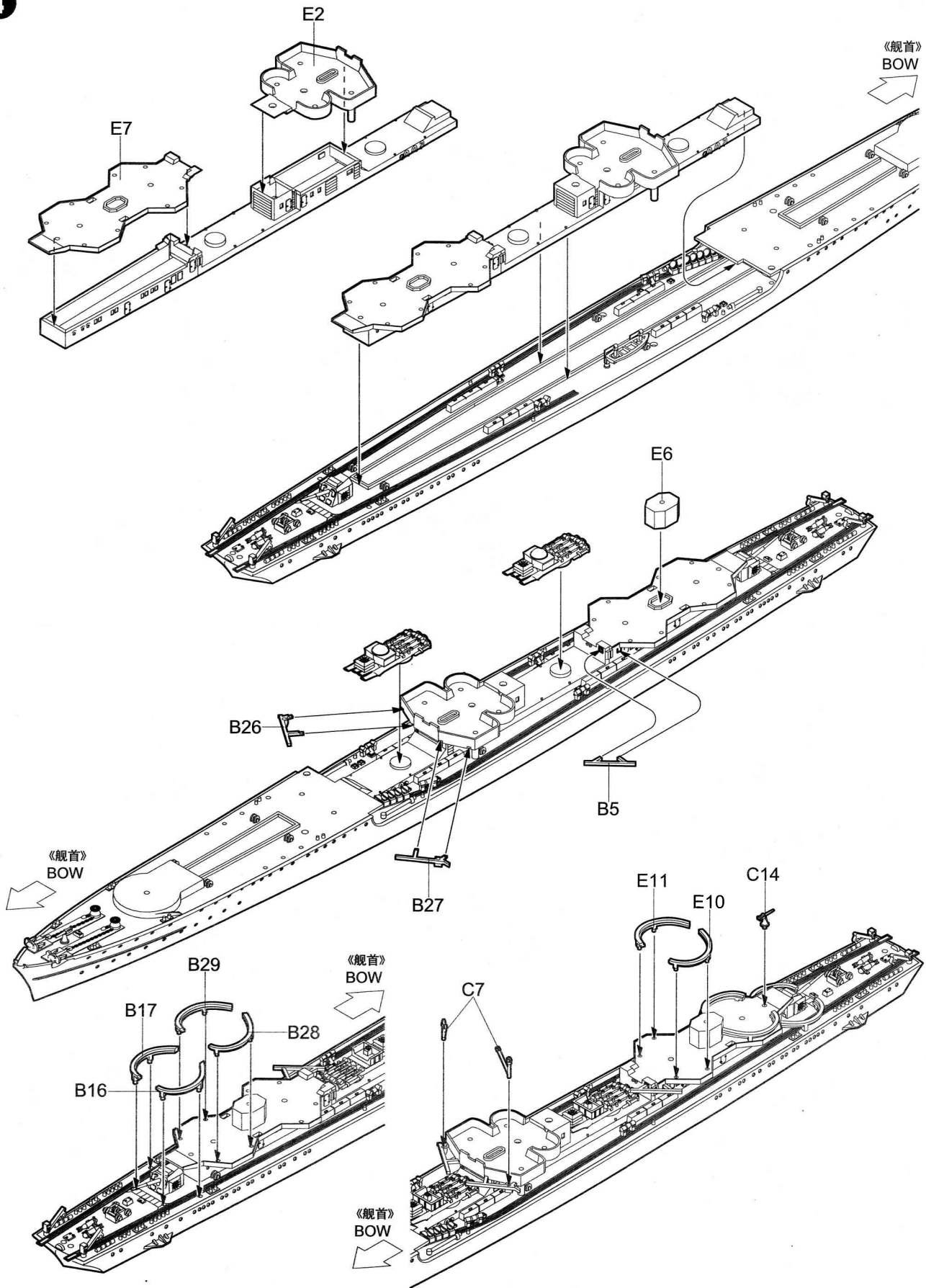


水贴纸  
Decal





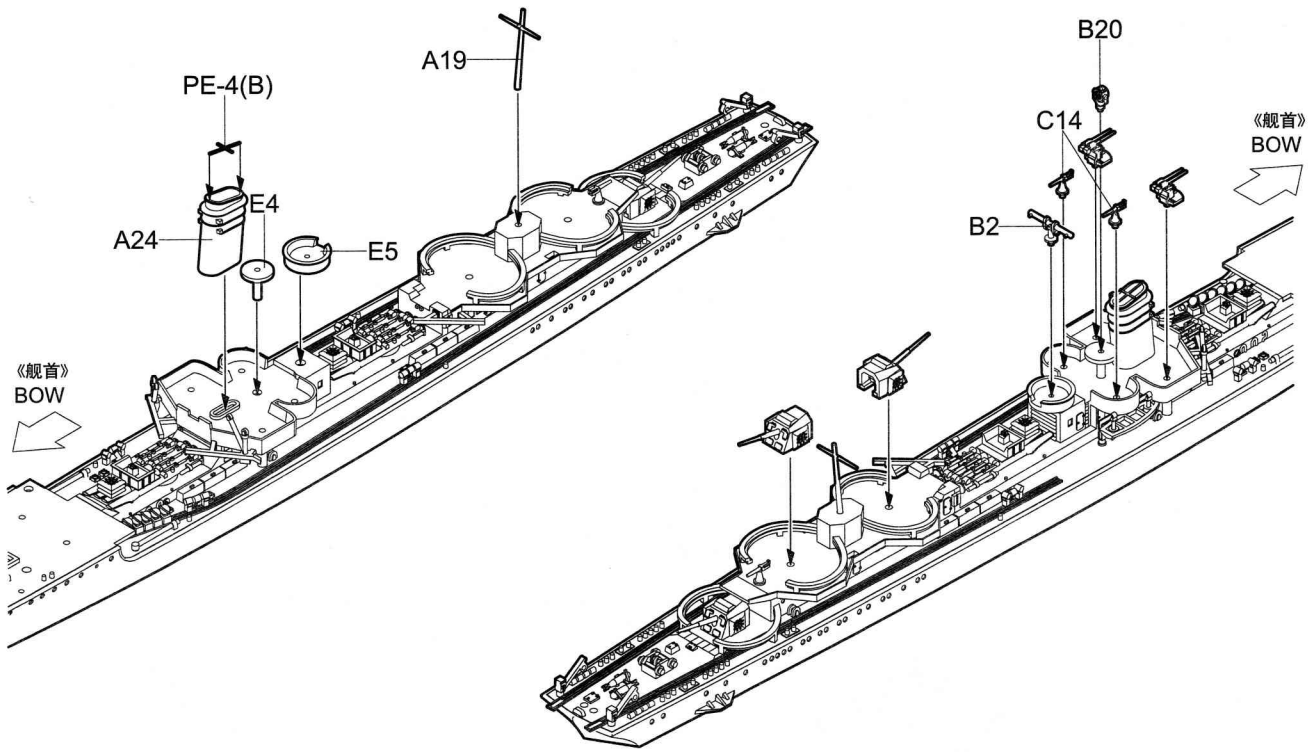
4



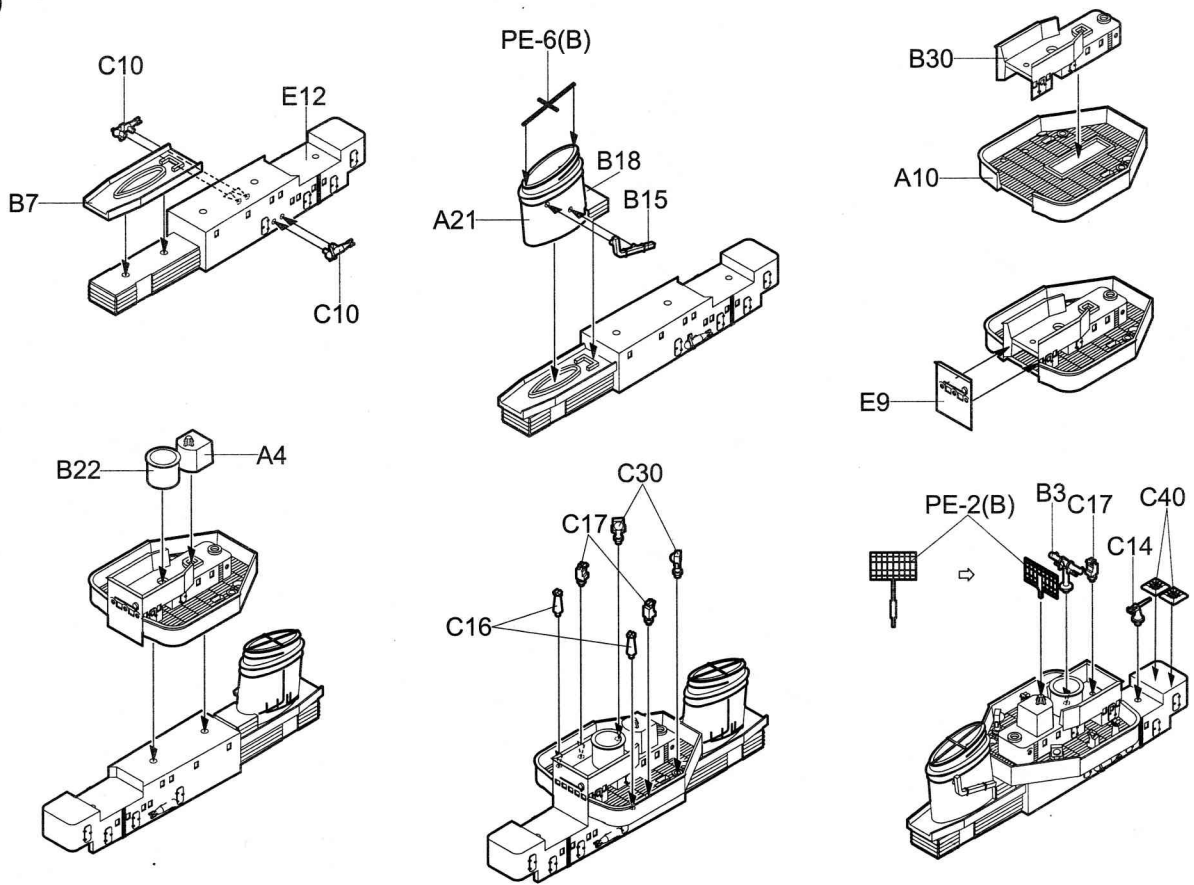
05788

5

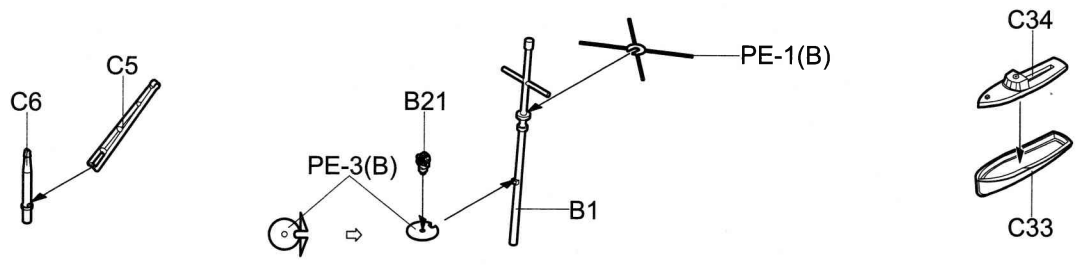
5



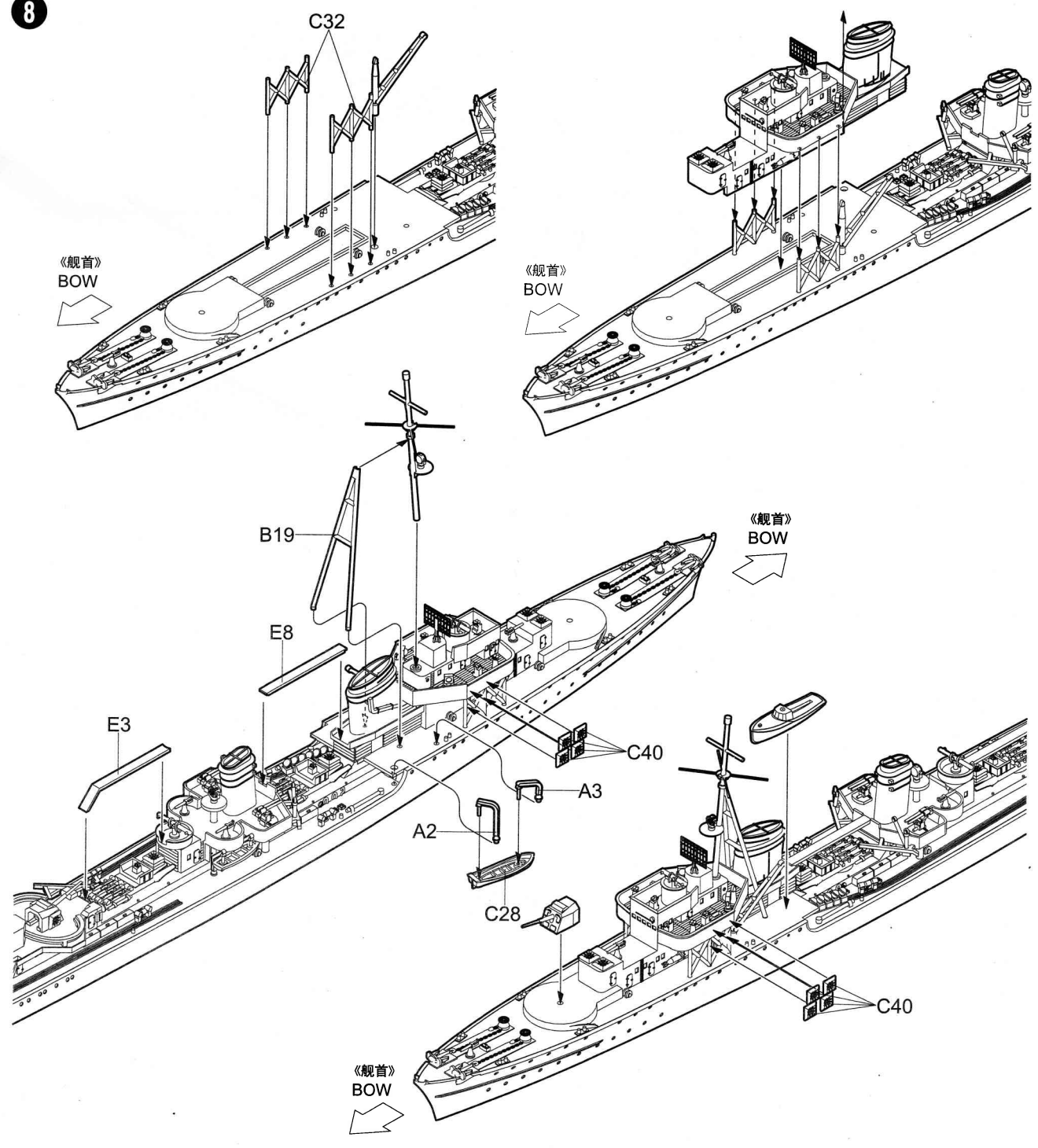
6



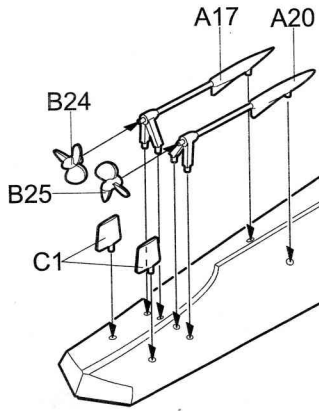
7



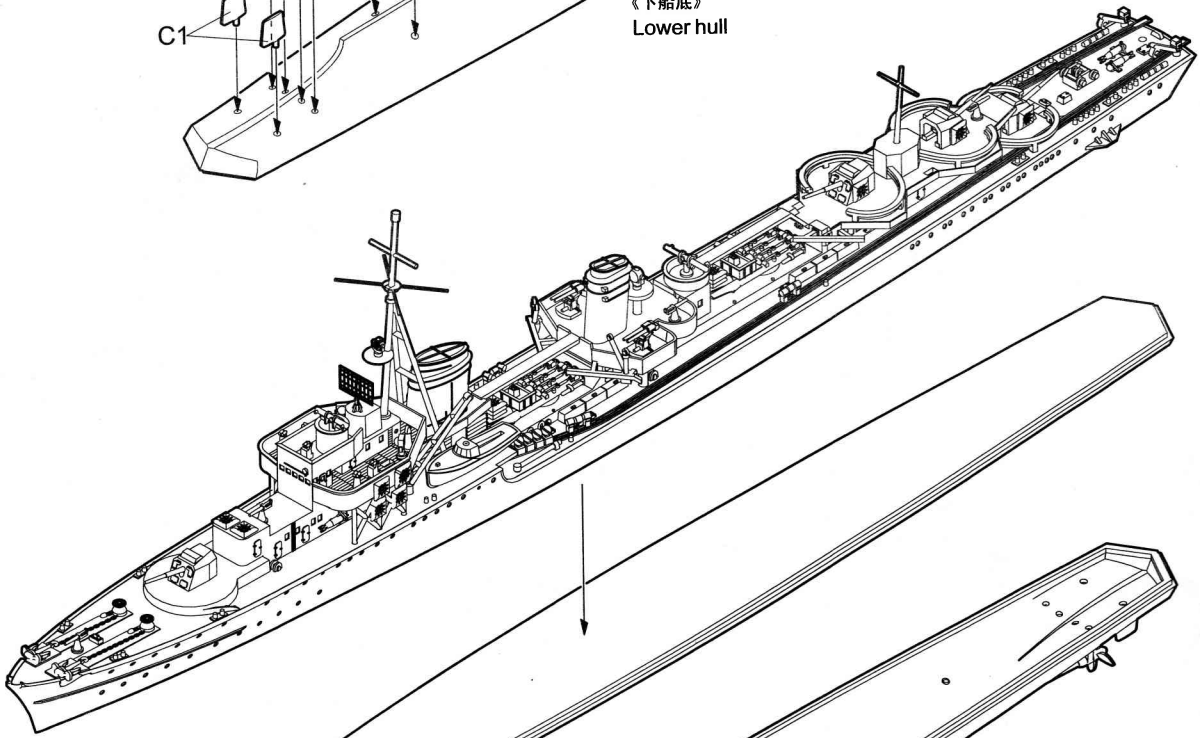
8



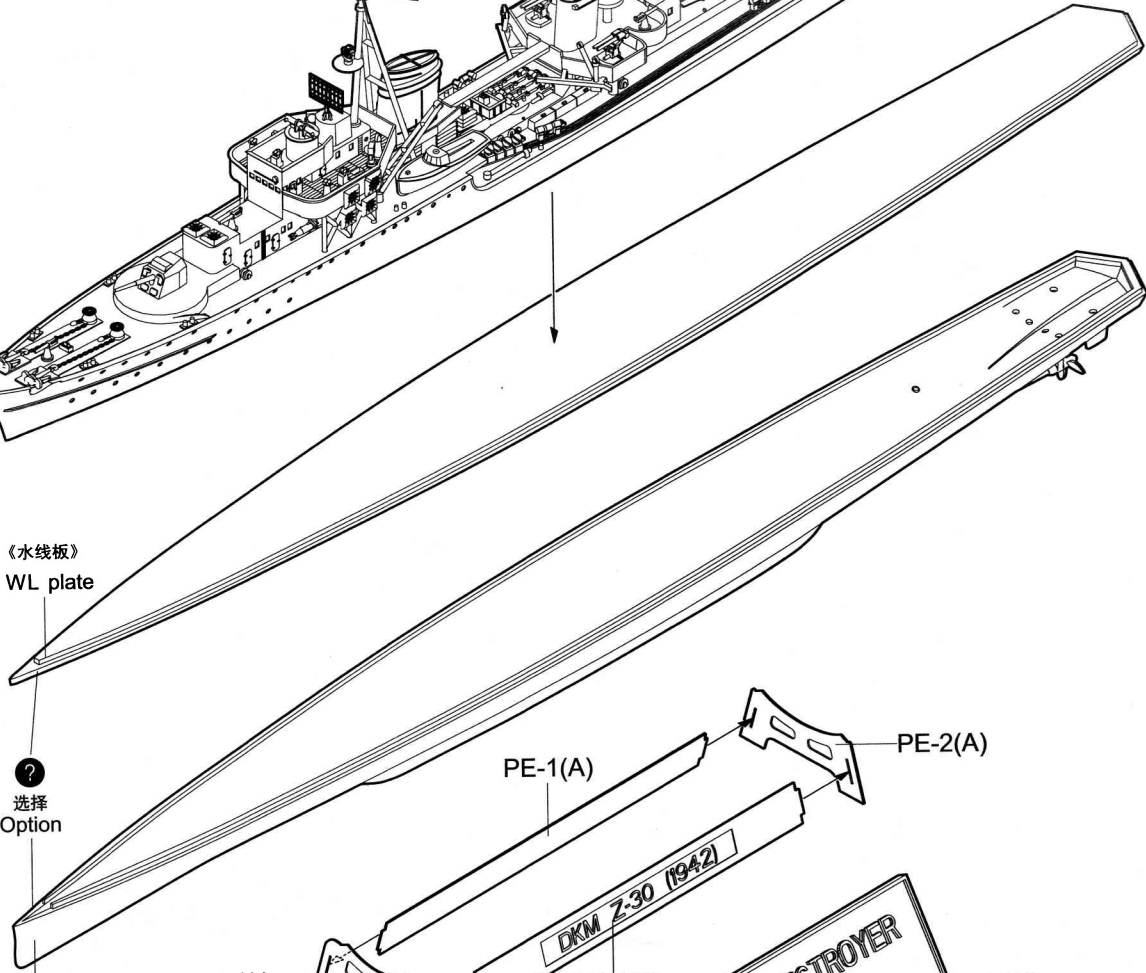
《舰首》  
BOW



《下船底》  
Lower hull



《水线板》  
WL plate



②  
选择  
Option

PE-1(A)

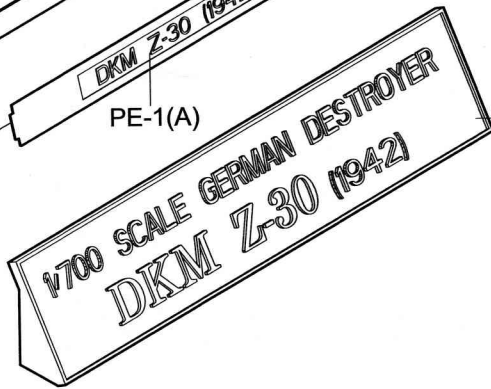
PE-2(A)

《下船底》  
Lower hull

PE-3(A)

PE-1(A)

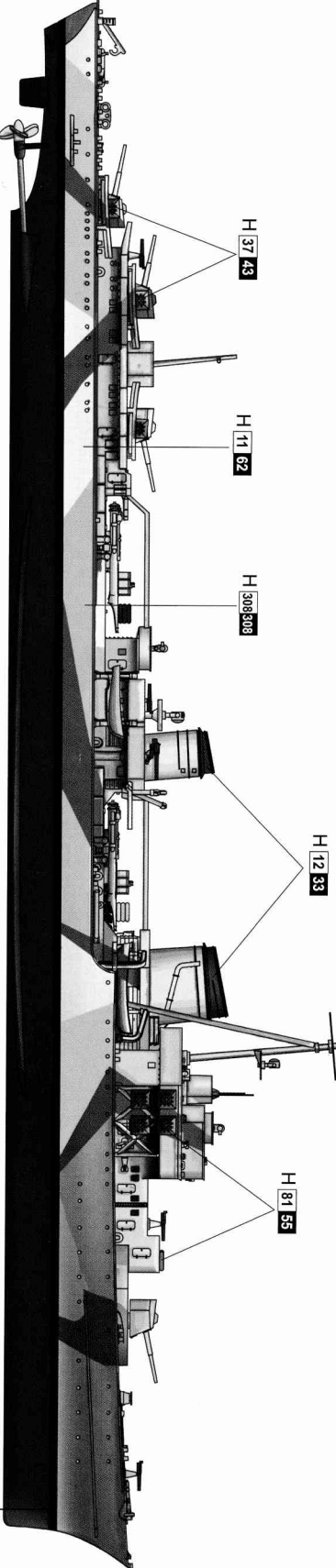
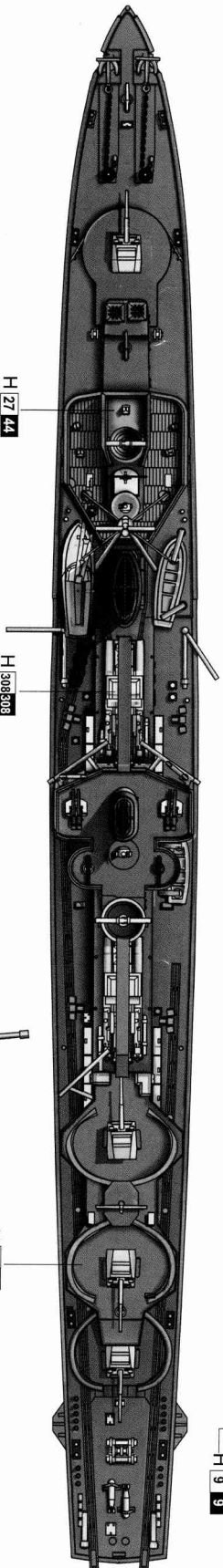
E13



# 涂装同标贴指示 Painting & Marking guide

Color	Mr.Hobby	Vallejo	Model Master	Tamiya	Humbrol
Gold 金色	H   9   9	878	1744	X12	16
Gray 深灰色	H   305   305	868	1723	XF58	125
Gray 灰色	H   308   308	990	1728	XF19	127
Wood Brown 木棕色	H   37   43	983	1701	—	186

Color	Mr.Hobby	Vallejo	Model Master	Tamiya	Humbrol
Tan 黄褐色	H   27   44	981	—	—	9
Flat Black 消光黑	H   12   33	950	1749	XF1	33
Hull Red 舰底红	H   17   29	985	—	XF9	177
Khaki 卡其色	H   81   55	988	—	XF49	26
Flat White 哑光白	H   11   62	951	1768	XF2	34



☒ AQUEOUS HOBBY COLOR    ■ MR. COLOR

05788 1/700 German Zerstörer Z-30 1942