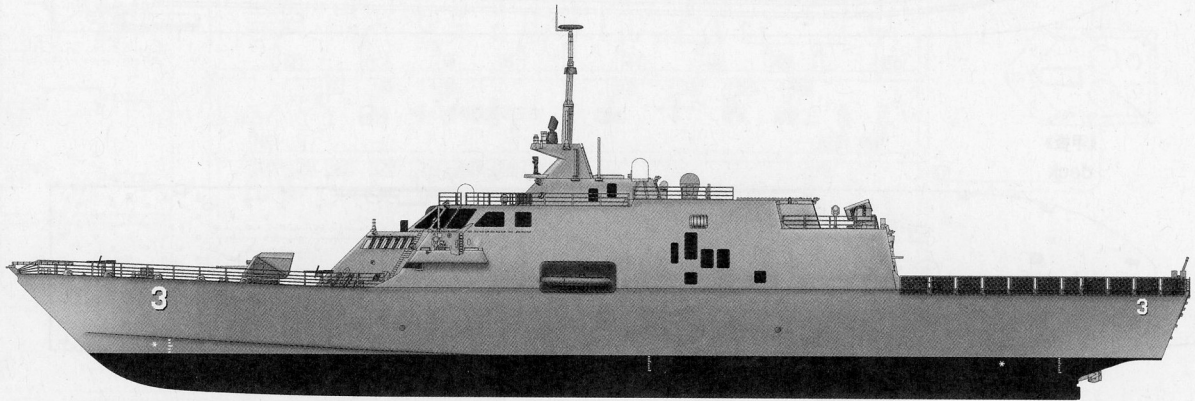


USS Fort Worth LCS-3

美国“沃斯堡”号濒海战斗舰



READ BEFORE ASSEMBLY:

- Study and understand these instructions thoroughly before beginning assembly
- When needed, remove photo-etch parts carefully using a modeling knife or photo etch sprue cutter, being careful not to damage or lose small parts.
- Take extra care in handling photo etch parts in order to avoid injury
- Apply instant cement sparingly to photo etch parts where instructed
- Tools recommended(not included in kit):Plastic and instant cements,sprue cutters,long nose pliers,,modeling knife, small files, tweezers, pin vise & scissors. Soft cloth and sandpaper will also assist in construction
- Glue and paint are not included in the kit. Use plastic cement and hobby paints only. Color guide for purchasing paint is included in the kit.

装配之前仔细阅读

- 小心用模型锉刀锉平所有零件表面的注射浇口。
- 小心用刀片切下蚀刻片零件，不要遗失小零件。
- 用强力快干胶水粘合蚀刻片零件和金属轴。过量的快干胶水使用可能导致可动零件会粘住，小心涂胶。
- 取蚀刻片时应特别注意安全，防止利边划伤手指。
- 某些零件表面需贴水上贴纸，请选择在装配的同时进行。
- 推荐模型工具(自备)：胶水，水口剪刀，长咀钳，刀片，锉刀，镊子，钳，钻，剪刀，瞬间快干胶。
- 软布同砂纸同时也应该是必备工具。
- 请使用塑料胶水和油漆，模型内不含。



贴纸
Decal



锉平
File / Sand



选择
Option



不涂胶水
No cement



弯曲
Bend



使用强力胶
Cyanoacrylate glue



配重
Weight



钻孔
Make hole



切除
Cut / Remove

水贴纸的使用:

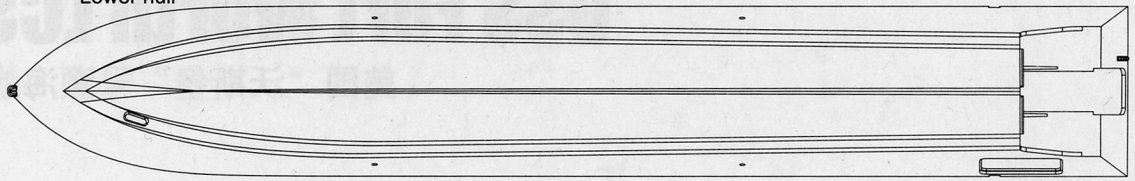
1. 从水贴纸上剪下印花;
2. 将印花放入温水中浸10秒，然后放在干净布上。
3. 拿着印花纸板将印花移到模型上;
4. 手指蘸水将印花移到适当的位置;
5. 用软布轻压印花直至水干，气泡消失。

DECAL APPLICATION

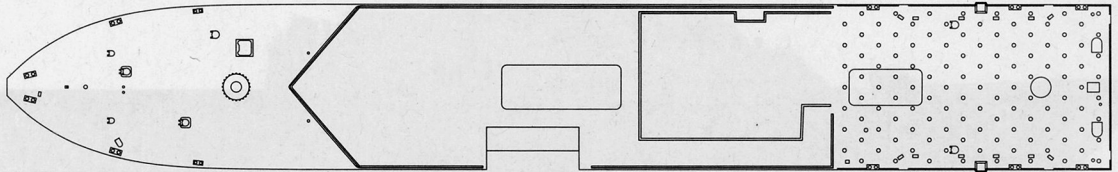
1. Cut off decal from sheet.
2. Dip the decal in tepid water 40°C for about 10 sec. and place on a clean cloth.
3. Hold the backing sheet edge and slide decal onto the model.
4. Move decal into position by wetting decal with finger.
5. Press decal gently down with a soft cloth until excess water and air bubbles are gone.
6. Allow decal to dry completely before handling model.

部品图 Parts

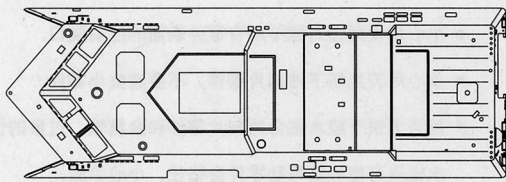
《下船底》
Lower hull



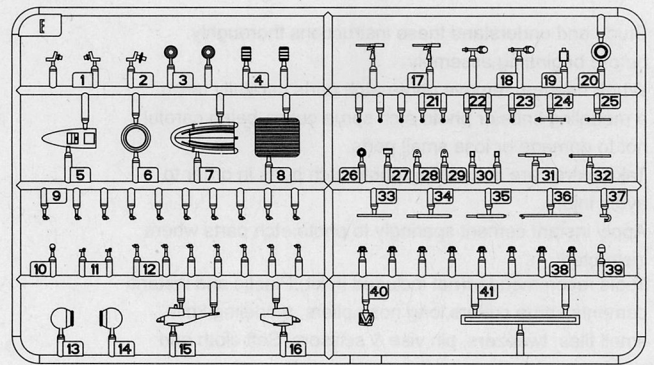
《甲板》
deck



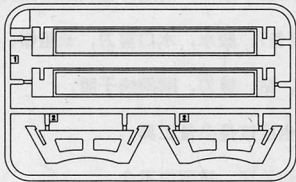
A



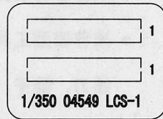
Bx2



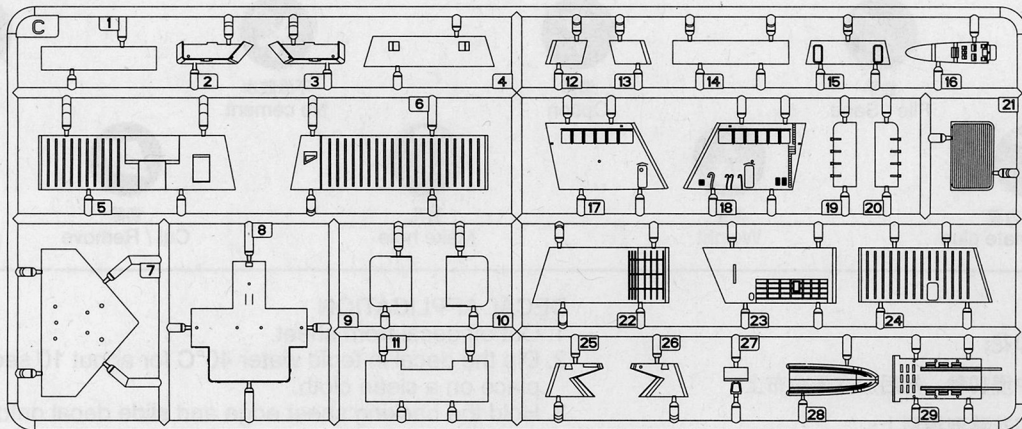
《座架》Stand



PVC 《透明》



C



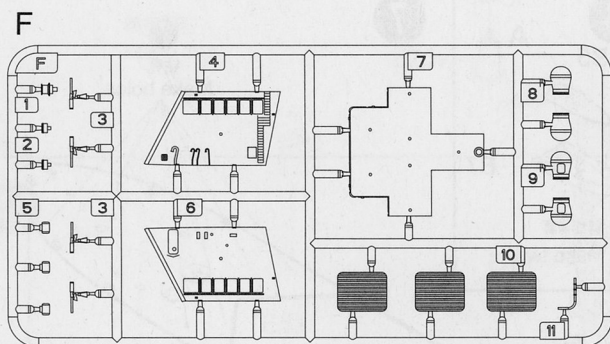
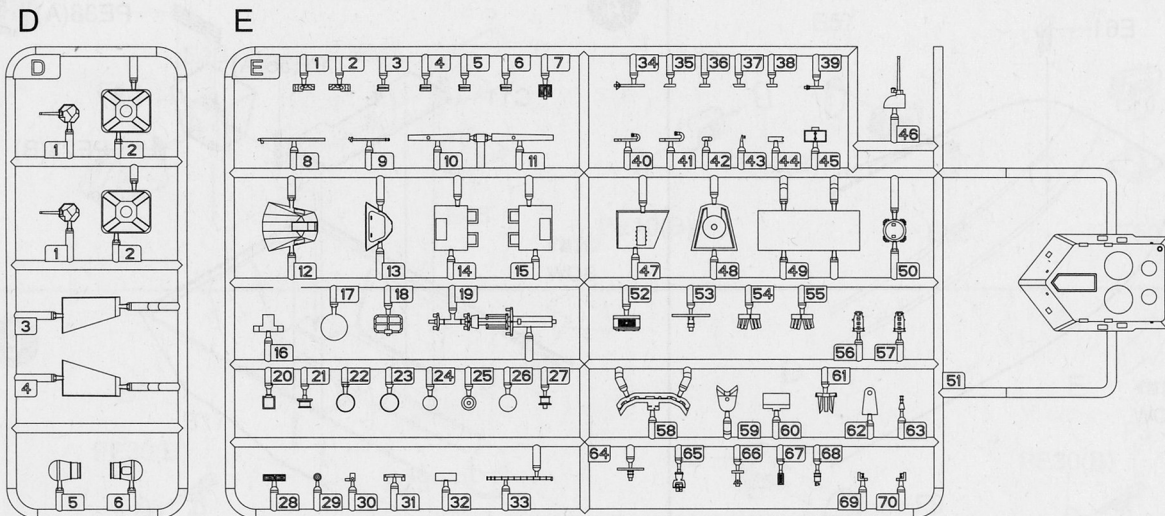
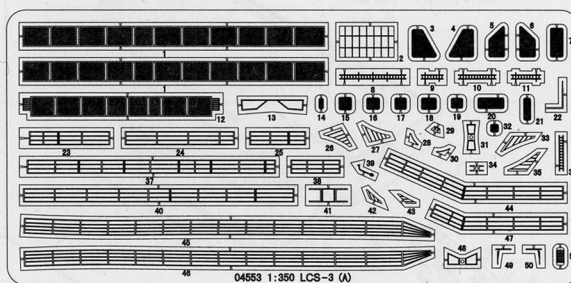
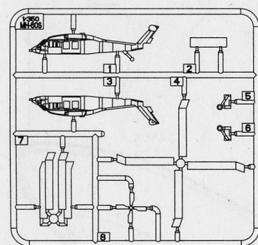


Photo Etched A



MH-60S X2



《水貼》
Decal

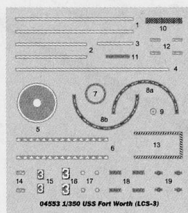
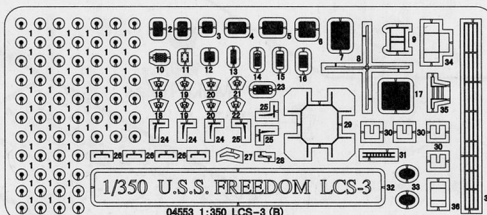
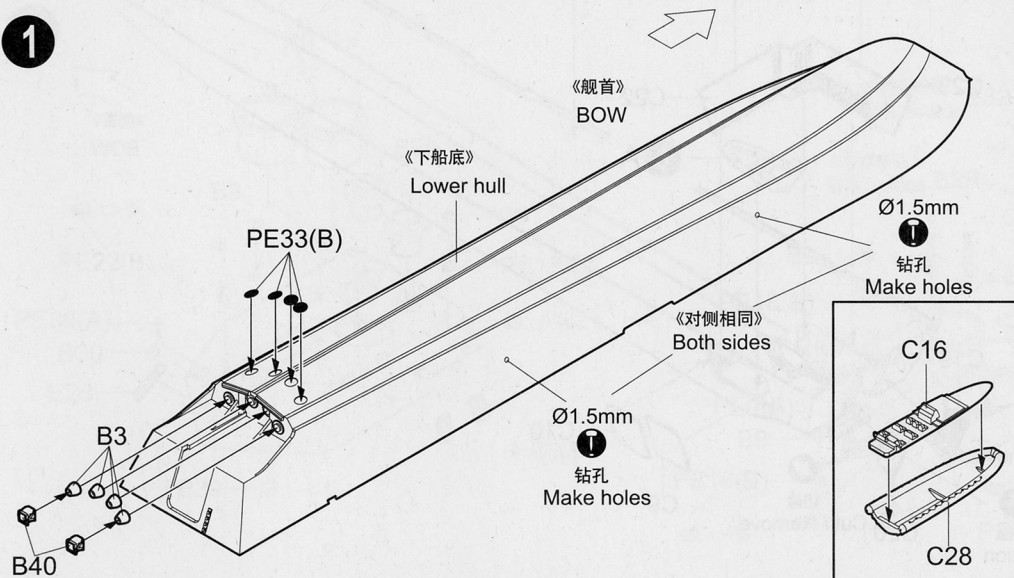


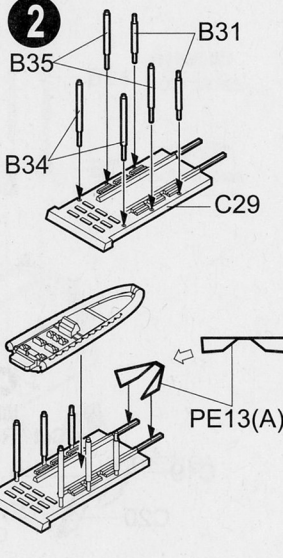
Photo Etched BX2



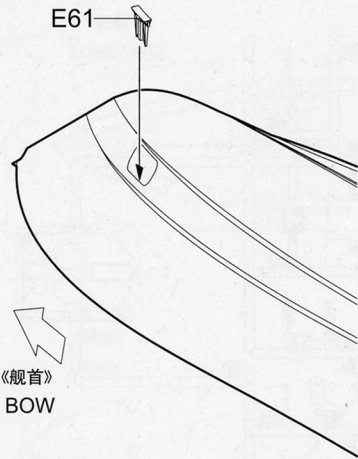
1



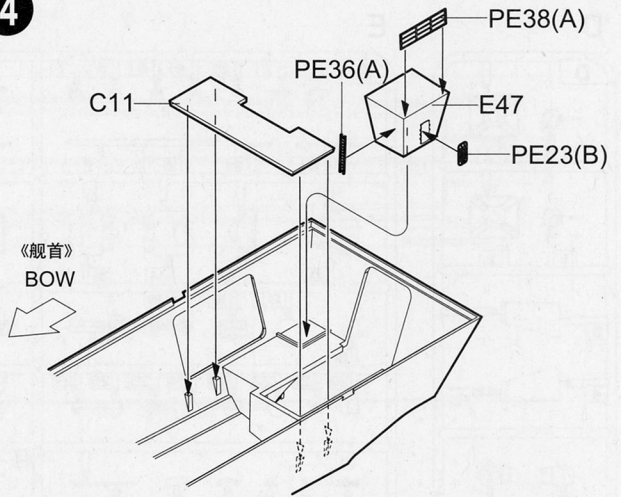
2



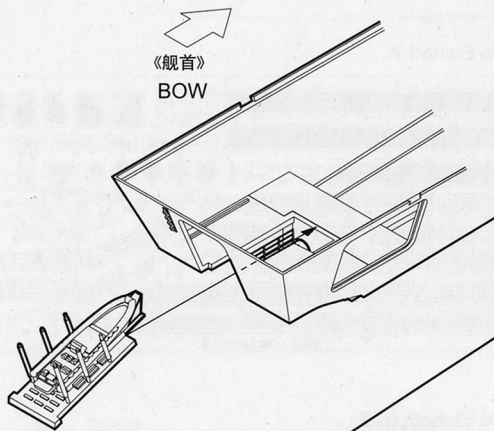
3



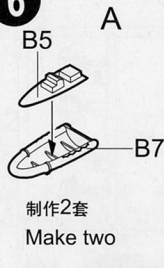
4



5

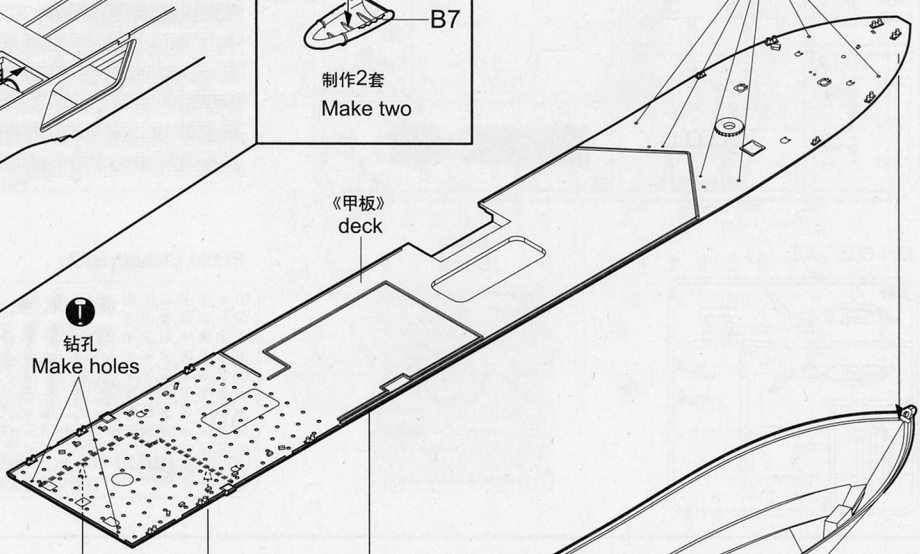


6



7

Ⓡ 钻孔
Make holes



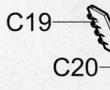
Ⓡ 钻孔
Make holes



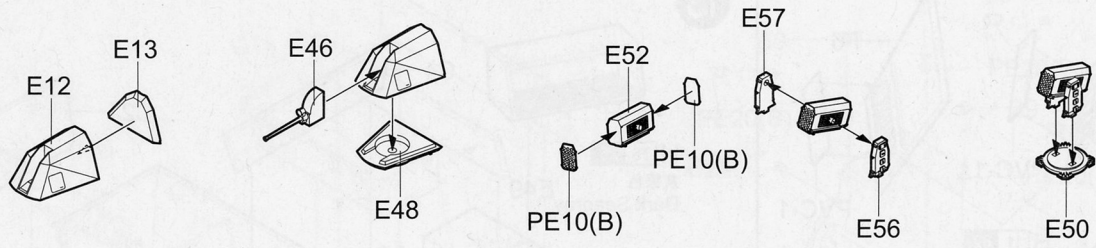
Ⓡ 切除
Cut / Remove

Ⓡ 切除
Cut / Remove

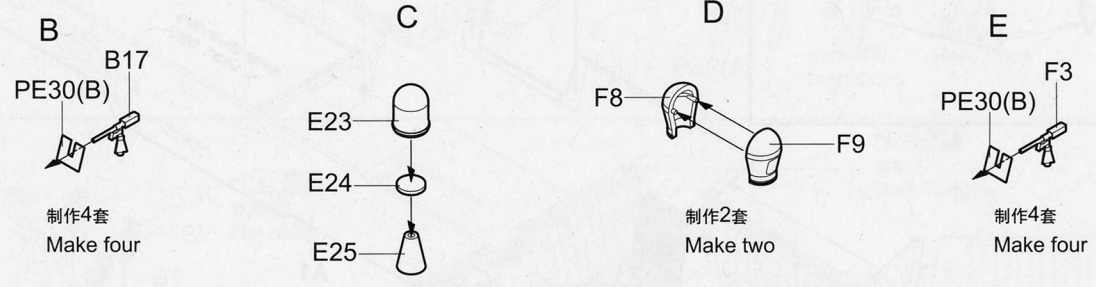
Ⓡ 选择
Option



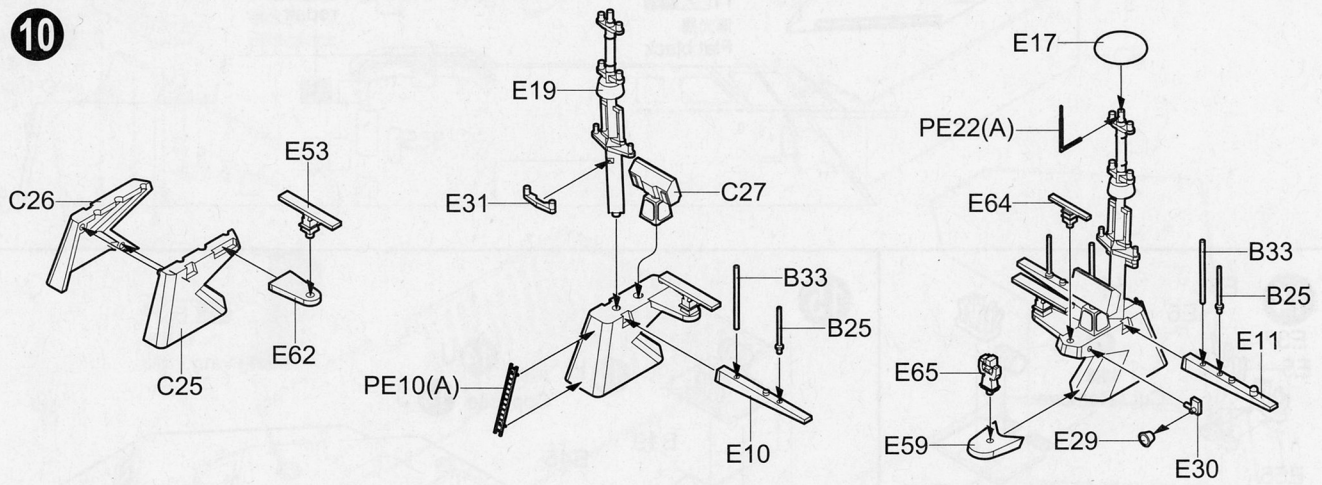
8



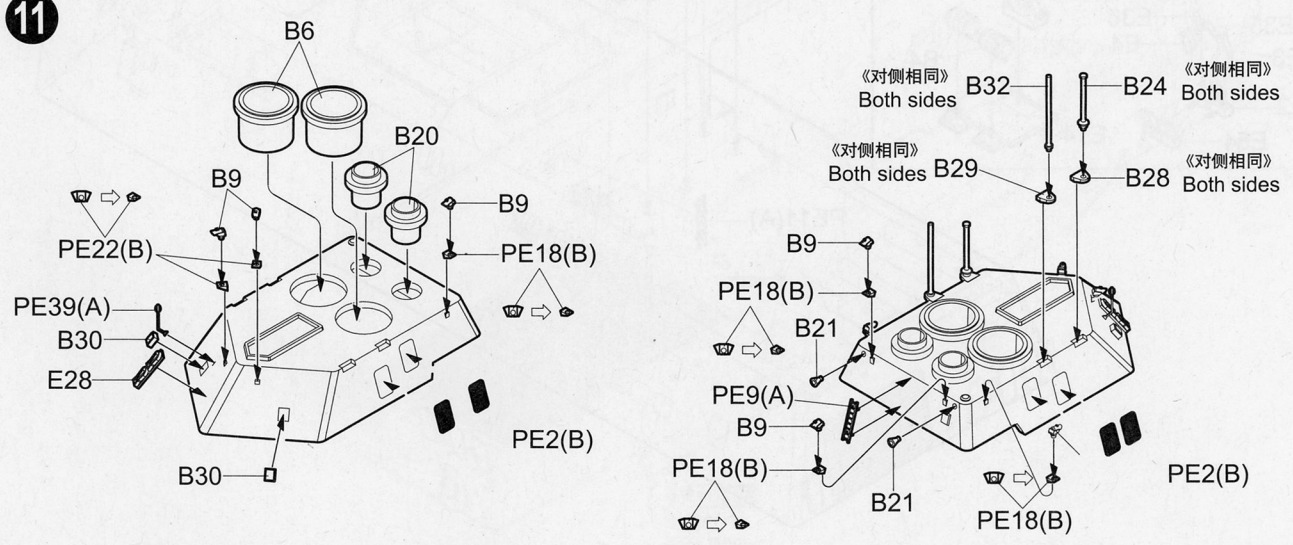
9



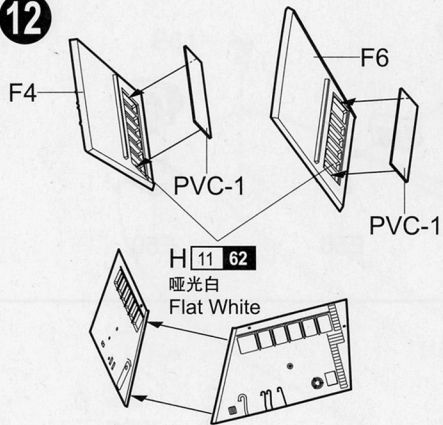
10



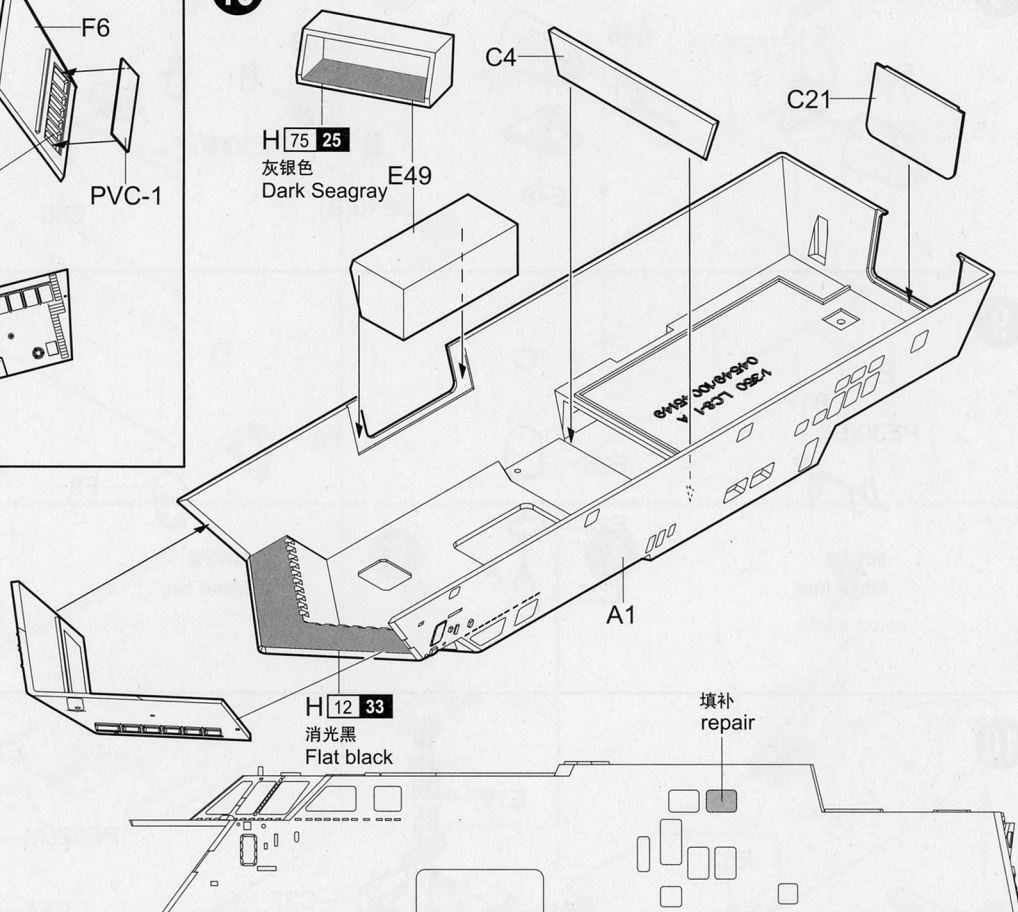
11



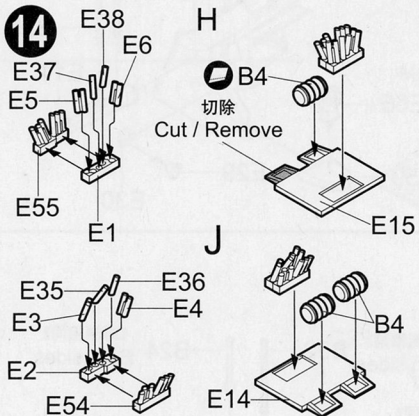
12



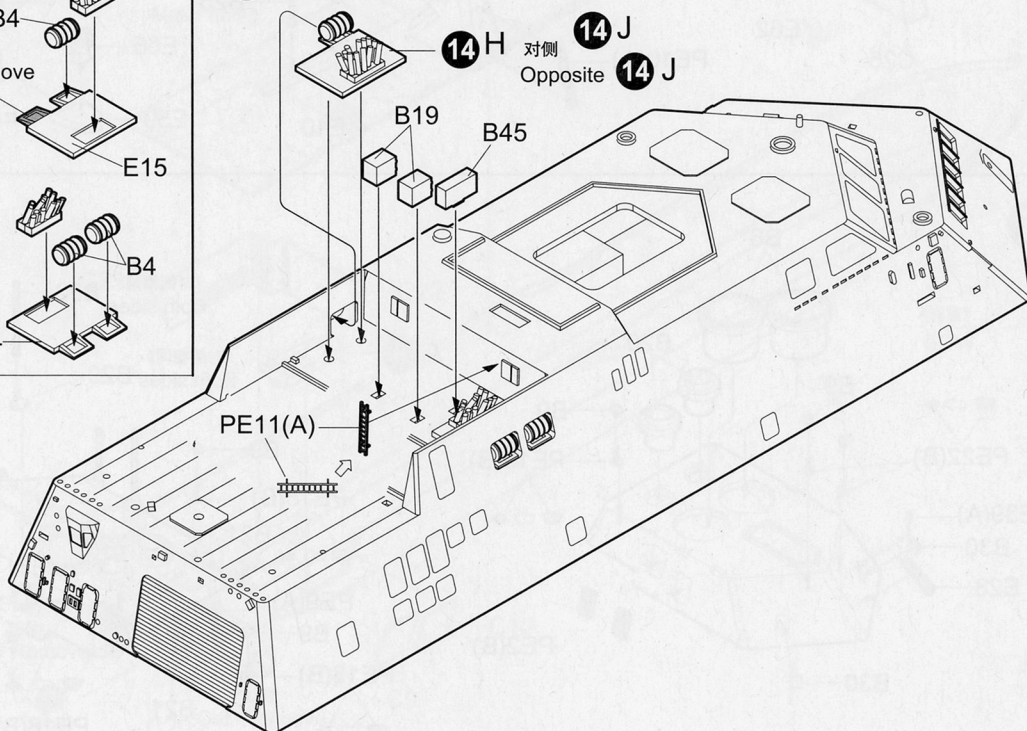
13



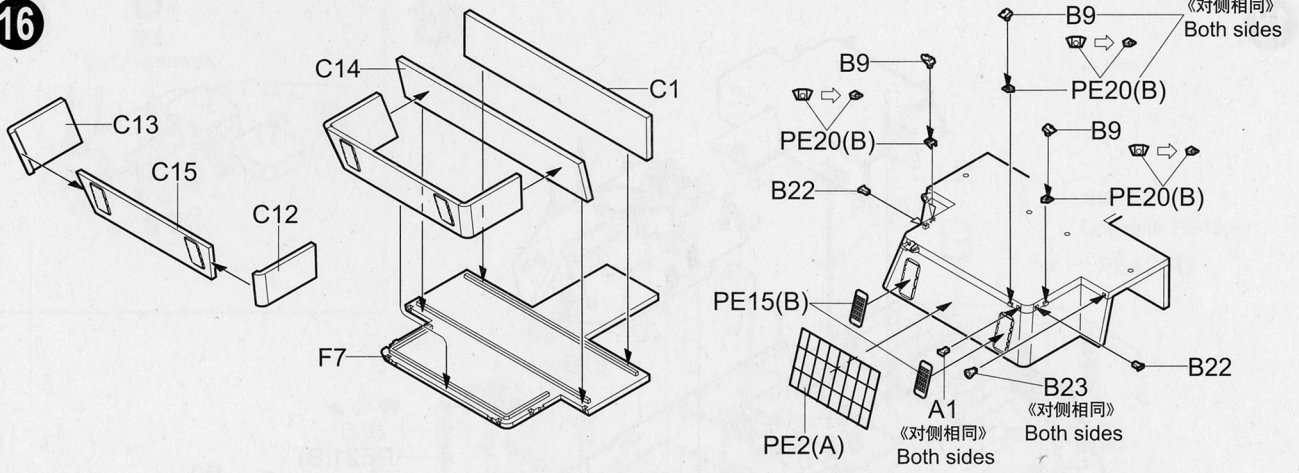
14



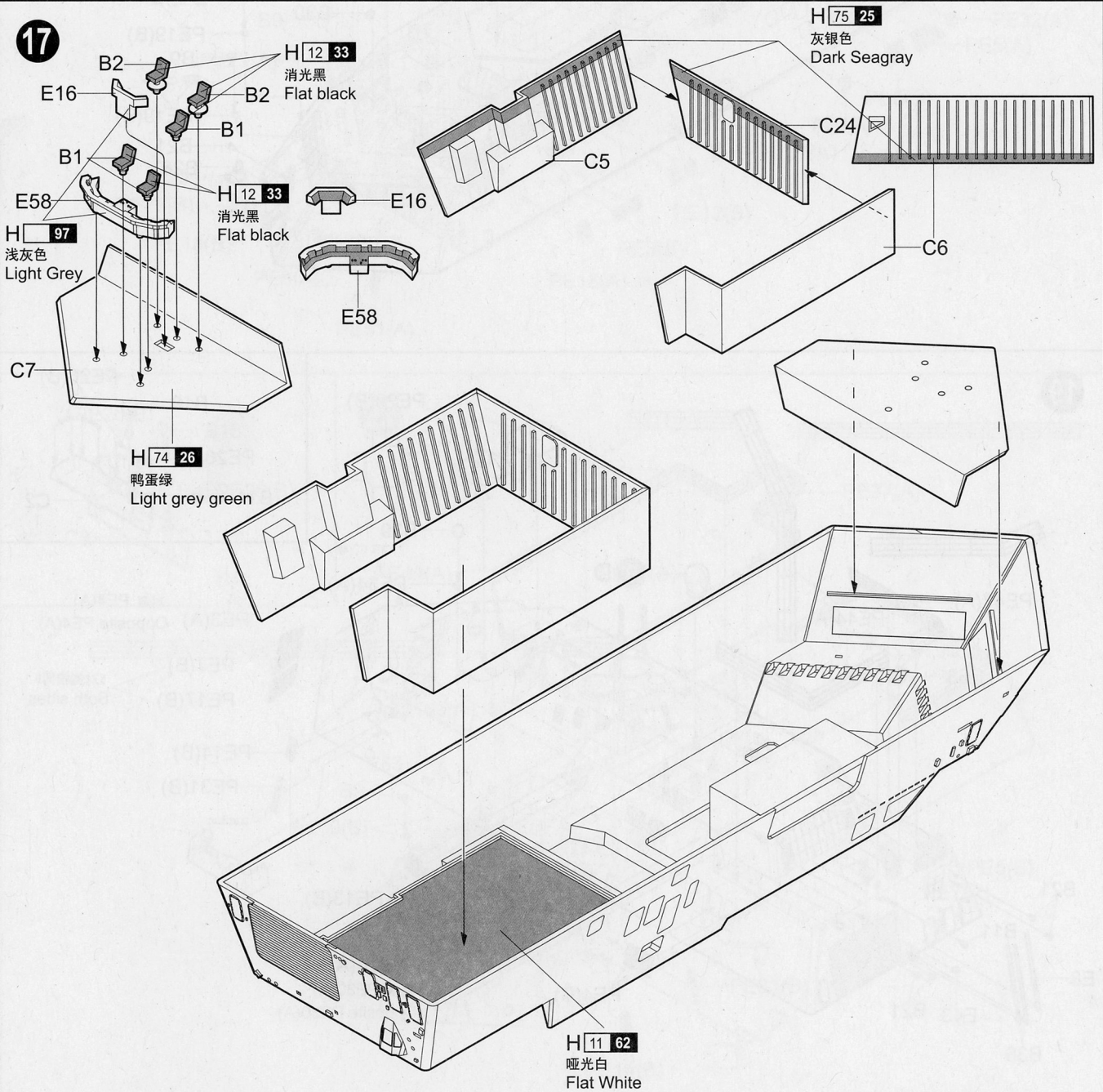
15



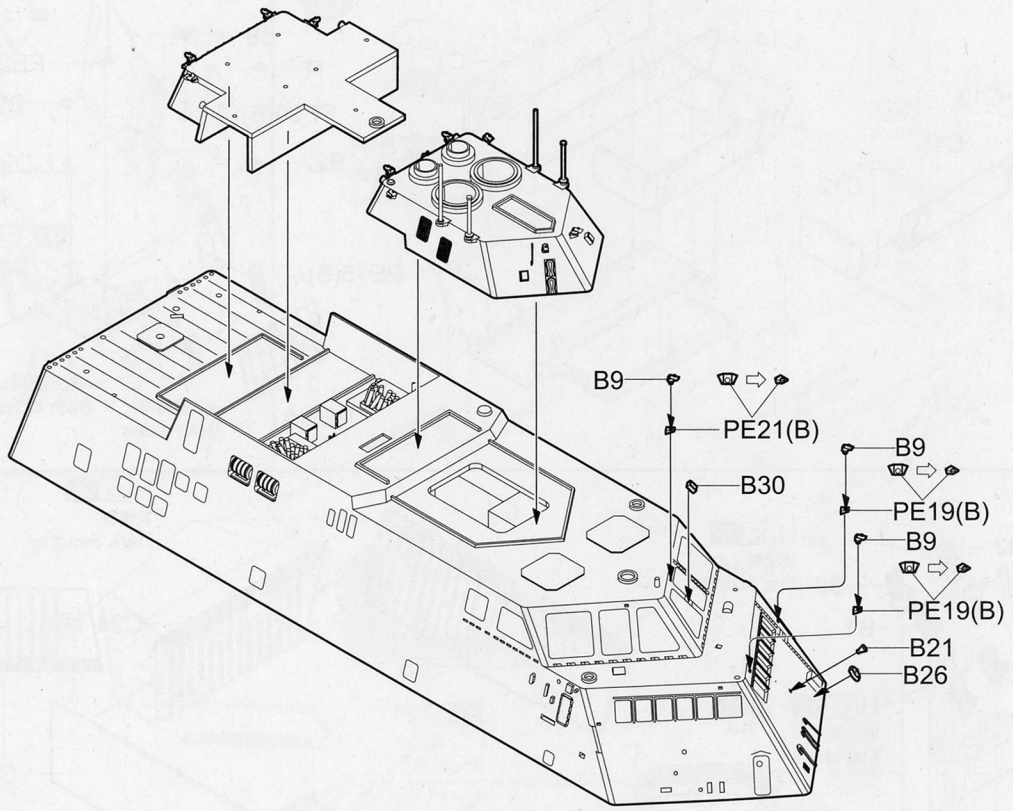
16



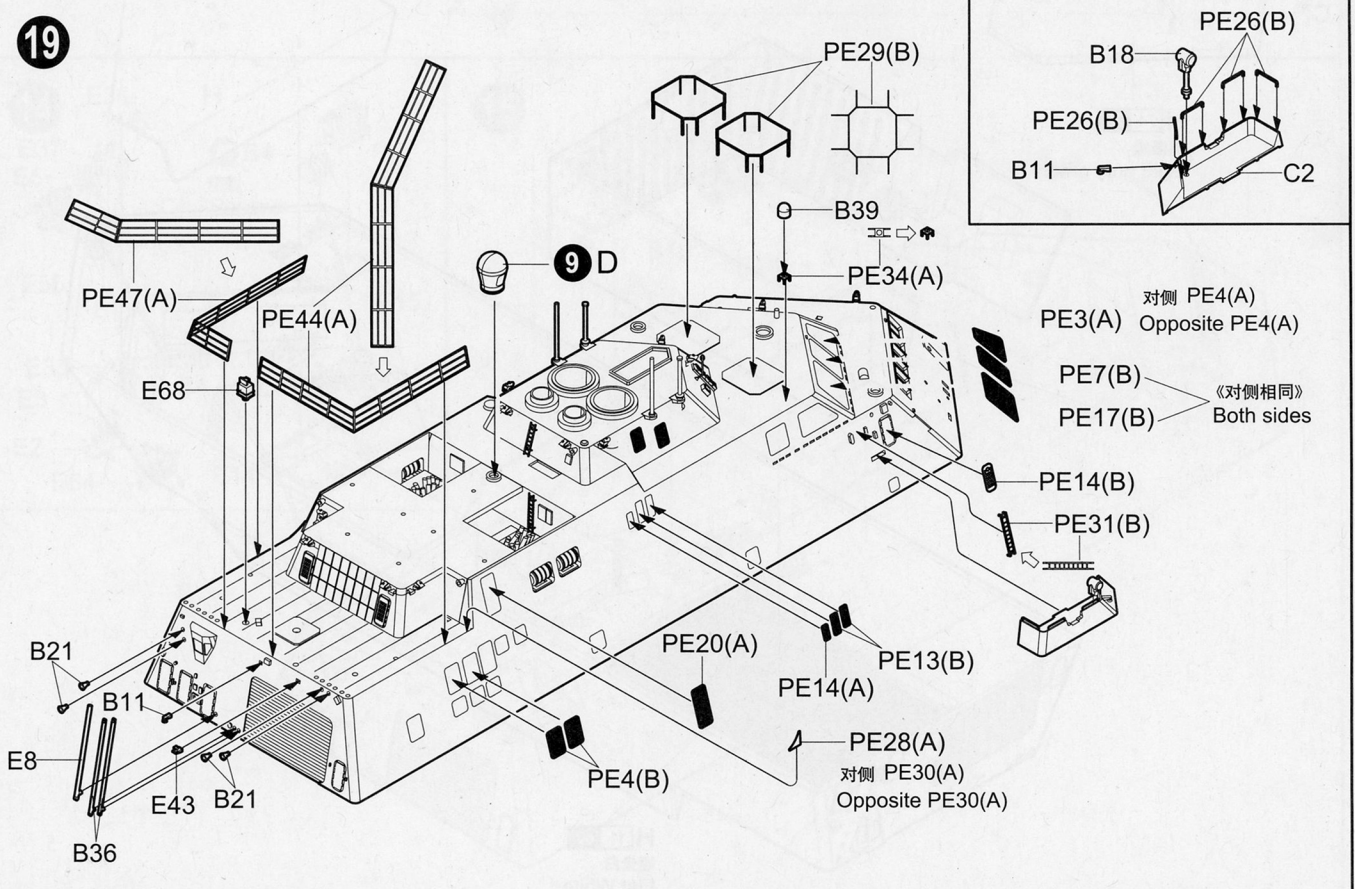
17



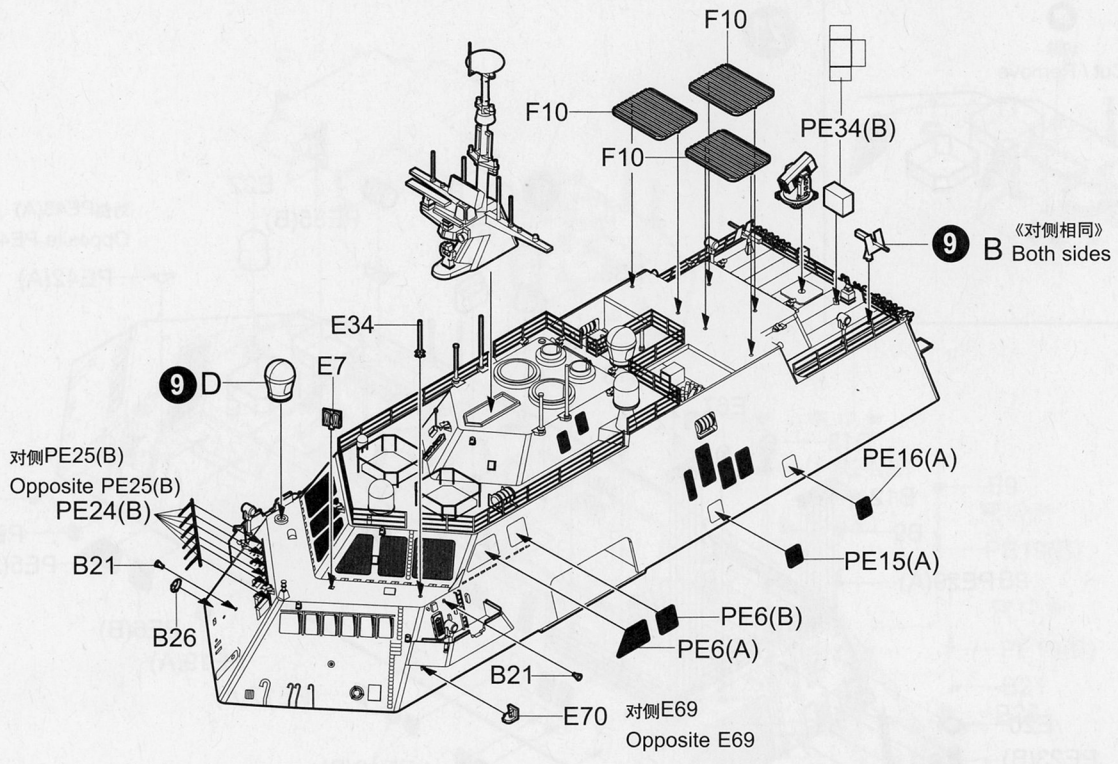
18



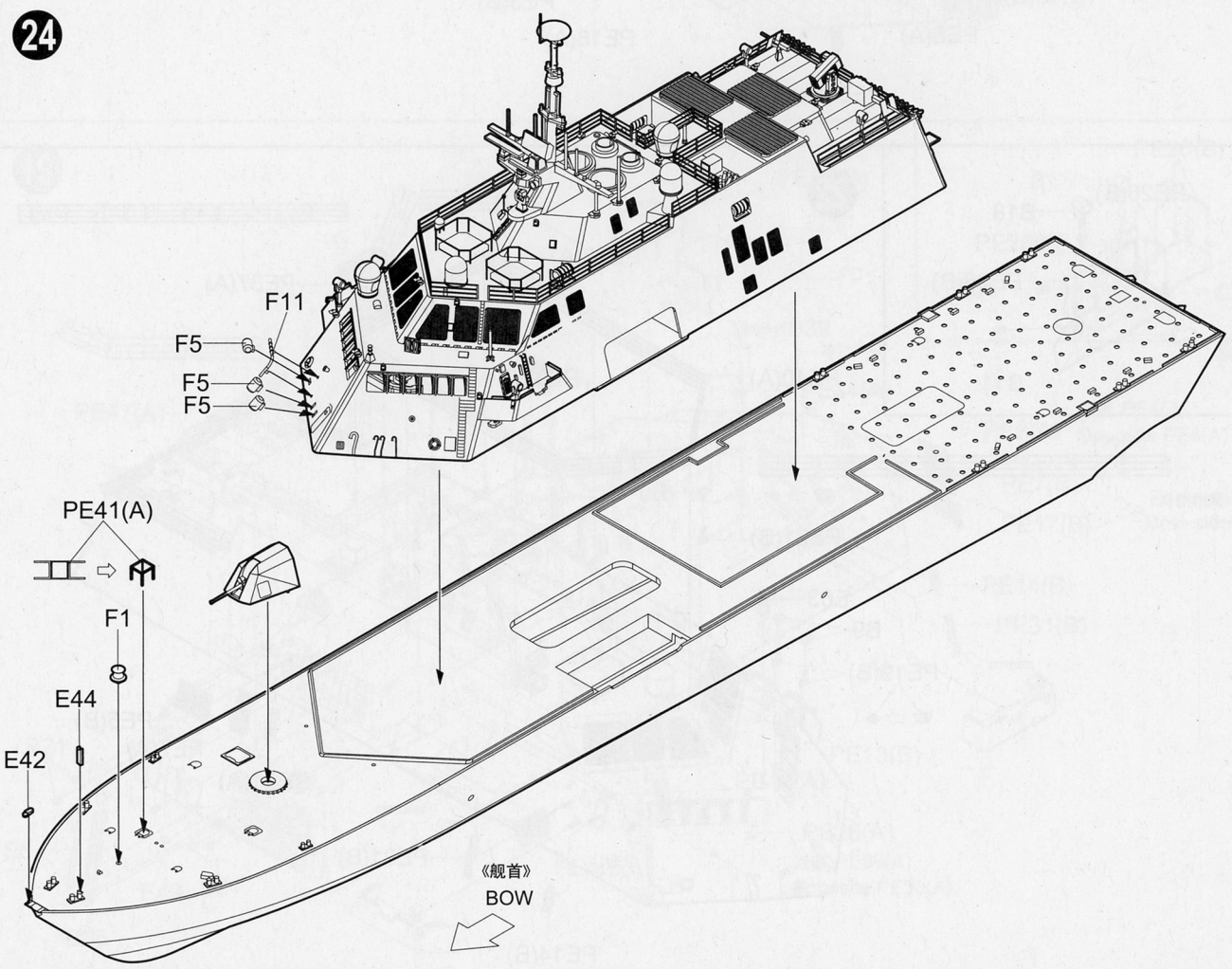
19

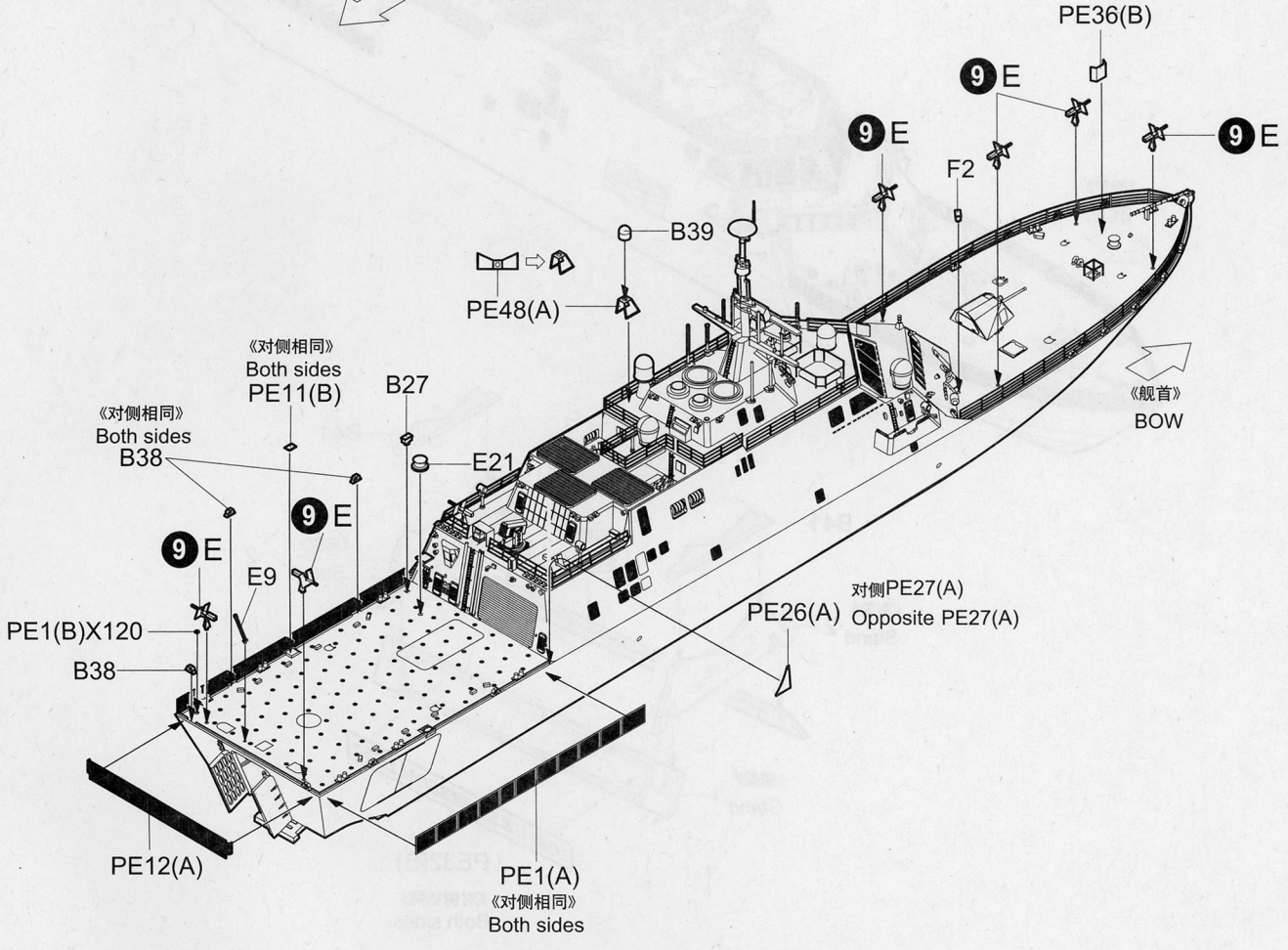
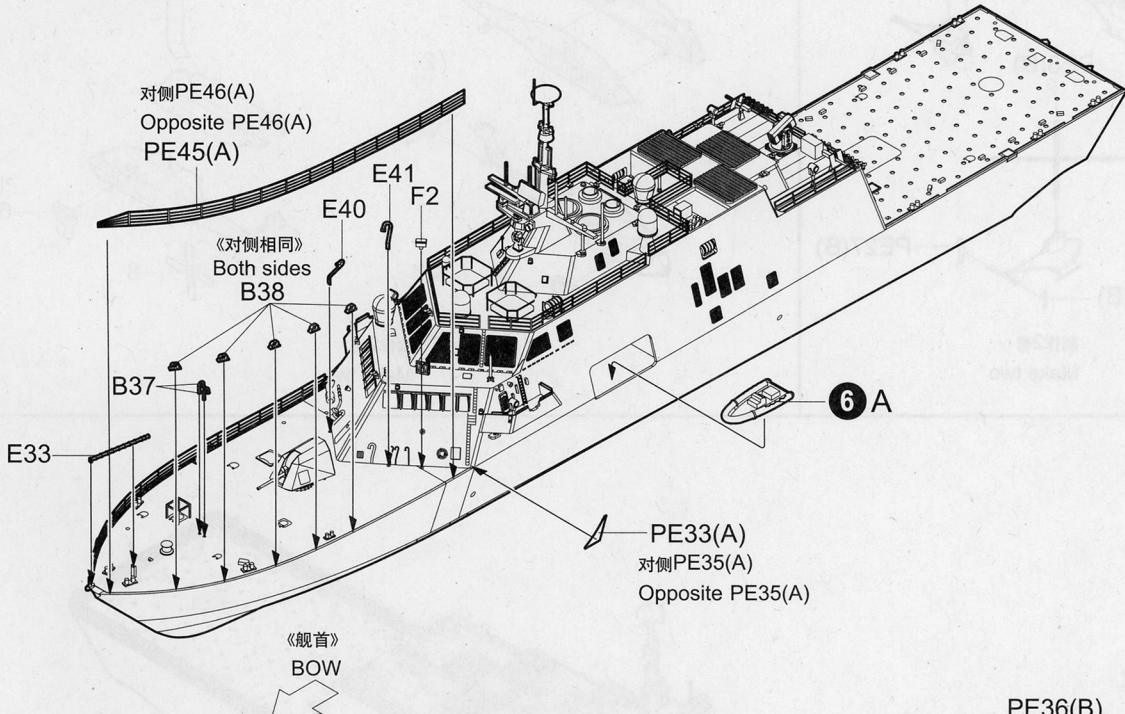


23

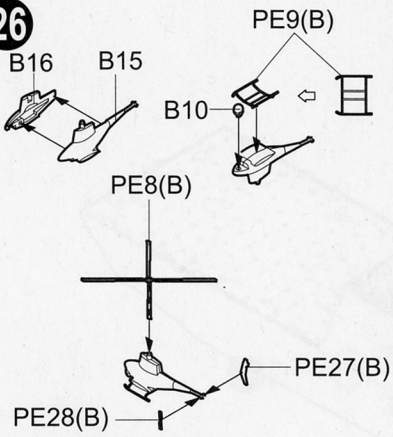


24



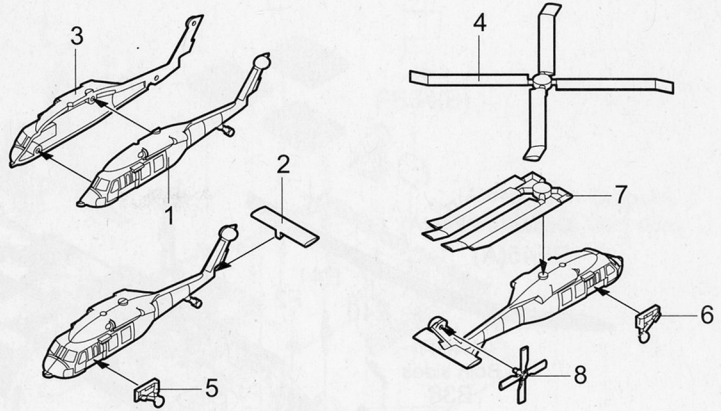


26



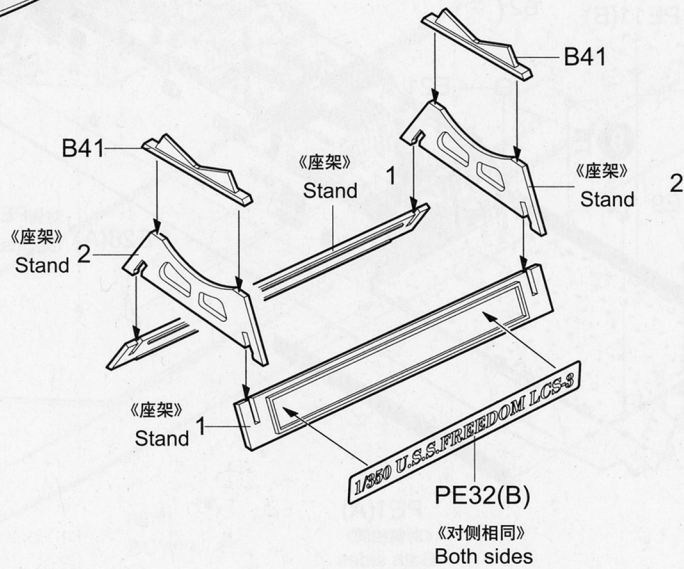
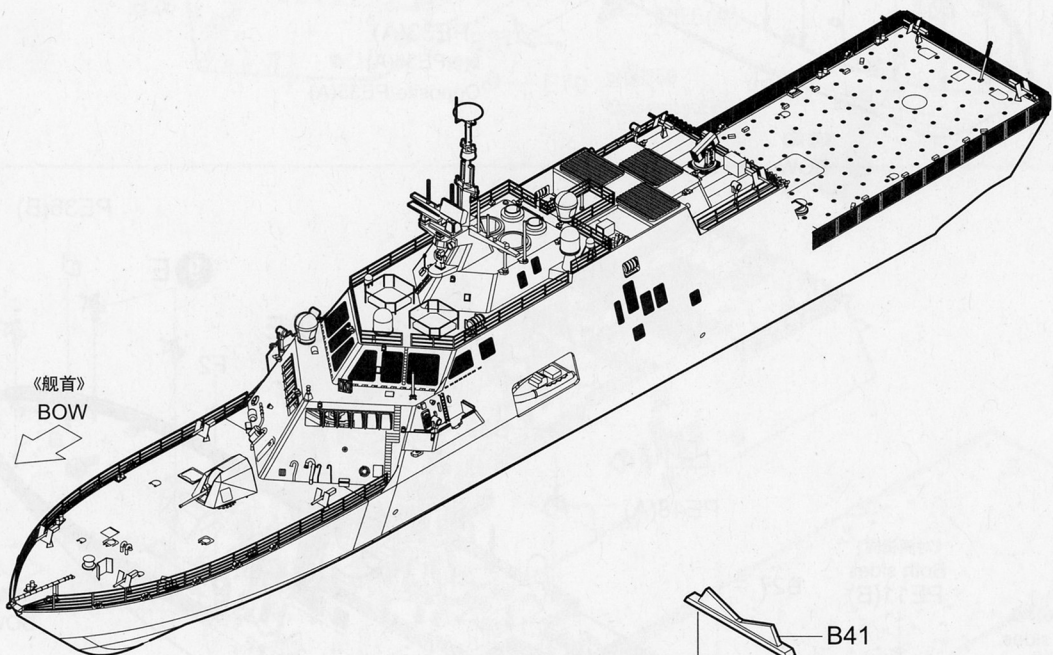
制作2套
Make two

27



制作2套
Make two

28



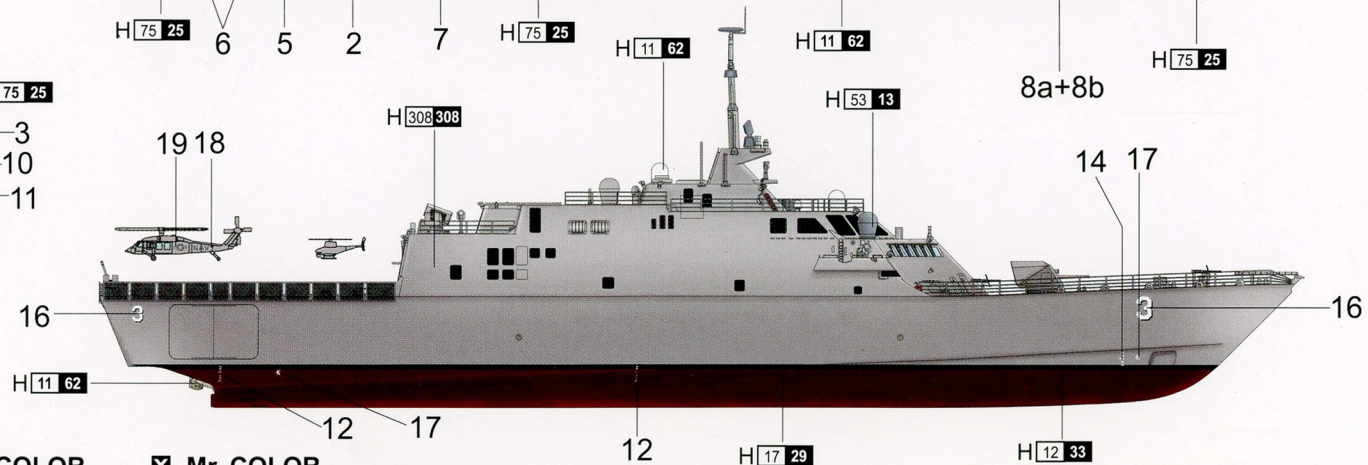
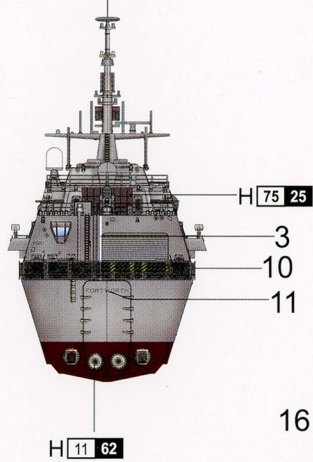
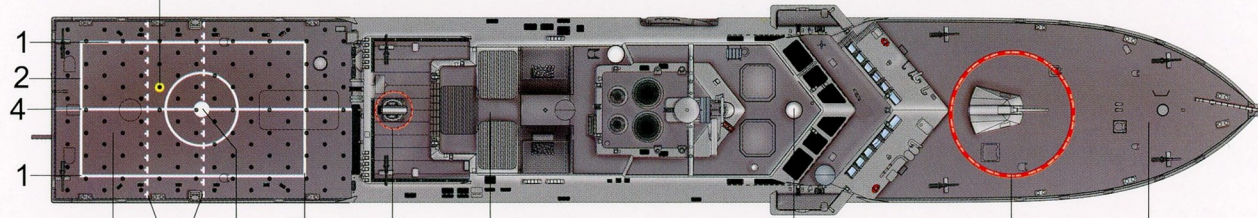
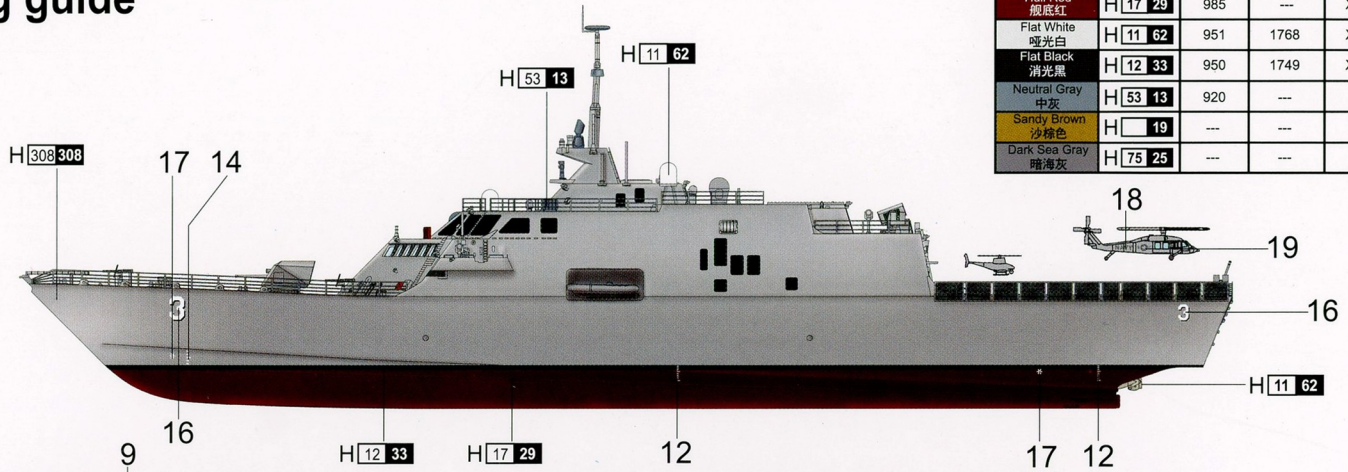
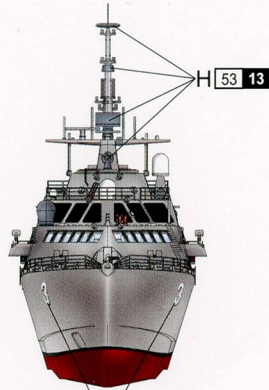
《对侧相同》
Both sides

涂装同标贴指示

Painting & Marking guide

PAINT REFERENCE COLOUR

Color	Mr.Hobby	Vallejo	Model Master	Tamiya	Humbrol
Gray 灰色	H 308 308	990	1728	XF19	127
Hull Red 原底红	H 17 29	985	---	XF9	177
Flat White 哑光白	H 11 62	951	1768	XF2	34
Flat Black 消光黑	H 12 33	950	1749	XF1	33
Neutral Gray 中灰	H 53 13	920	---	---	5
Sandy Brown 沙棕色	H 19	---	---	---	---
Dark Sea Gray 暗海灰	H 75 25	---	---	---	---



H AQUEOUS HOBBY COLOR Mr. COLOR