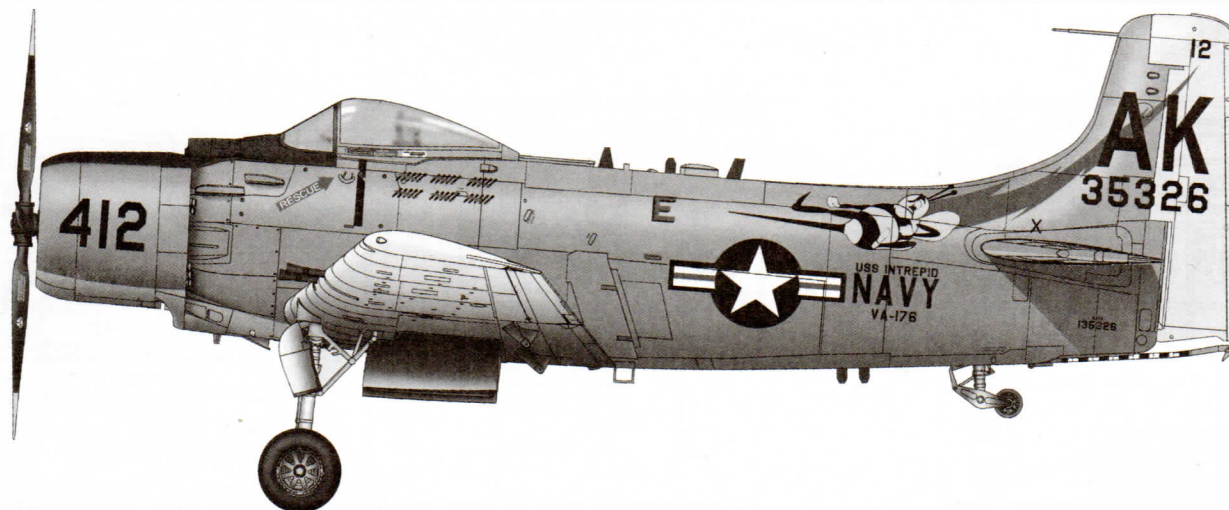


ITEM NO.:02253



A-1H AD-6 Skyraider

1/32 scale

美国A-1H“空中袭击者”攻击机

READ BEFORE ASSEMBLY:

- Study and understand these instructions thoroughly before beginning assembly
- When needed, remove photo-etch parts carefully using a modeling knife or photo etch sprue cutter, being careful not to damage or lose small parts.
- Take extra care in handling photo etch parts in order to avoid injury
- Apply instant cement sparingly to photo etch parts where instructed
- Tools recommended(not included in kit):Plastic and instant cements,sprue cutters,long nose pliers,modeling knife, small files, tweezers, pin vise & scissors. Soft cloth and sandpaper will also assist in construction
- Glue and paint are not included in the kit. Use plastic cement and hobby paints only. Color guide for purchasing paint is included in the kit.

装配之前仔细阅读

- 小心用模型锉刀锉平所有零件表面的注射浇口。
- 小心用刀片切下蚀刻片零件，不要遗失小零件。
- 用强力快干胶水粘合蚀刻片零件和金属轴。过量快干胶水使用可能导致可动零件会粘住，小心涂胶。
- 取蚀刻片时应特别注意安全，防止利边划伤手指。
- 某些零件表面需贴水上贴纸，请选择在装配的同时进行。
- 推荐模型工具(自备)：胶水，水口剪刀，长咀钳，刀片，锉刀，镊子，钳，钻，剪刀，瞬间快干胶。
- 软布同砂纸同时也应该是必备工具。
- 请使用塑料胶水和油漆，模型内不含。

水贴纸的使用:

1. 从水贴上剪下印花;
2. 将印花放入温水中浸10秒，然后放在干净布上。
3. 拿着印花纸板将印花移到模型上;
4. 手指蘸水将印花移到适当的位置;
5. 用软布轻压印花直至水干，汽泡消失。

DECAL APPLICATION:

1. Cut decals from sheet as needed
2. Dip the decal in warm water for about 10 seconds and then place on soft clean cloth.
3. Hold the decal backing sheet edge and gently slide the decal onto the model in its proper position.
4. While still wet, decal can be adjusted for better fit on model by dampening it gently with your finger.
5. When placed in the proper position, gently press decal down with a soft cloth until excess water and air bubbles are gone.
6. Allow decal to dry completely before handling model



cyanoacrylate glue
使用强力胶



weight
配重



make hole
钻孔



cut / remove
切除



option
选择



no cement
不涂胶水



decal
贴纸

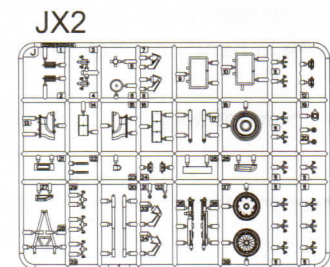
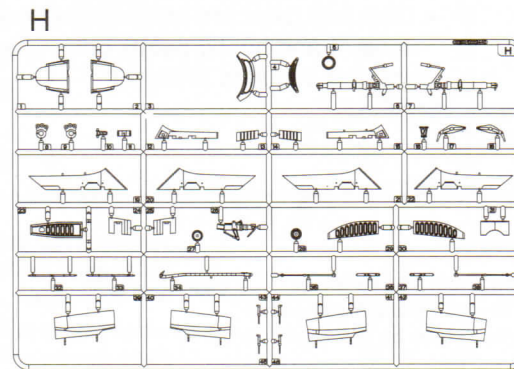
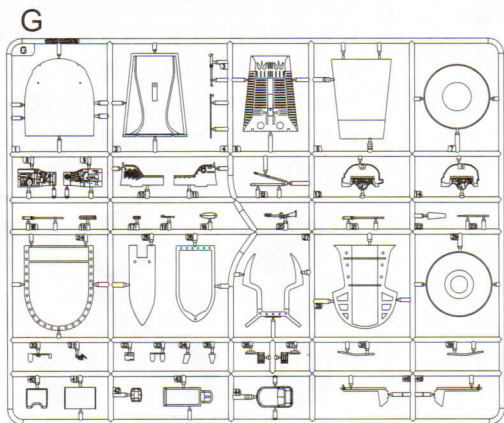
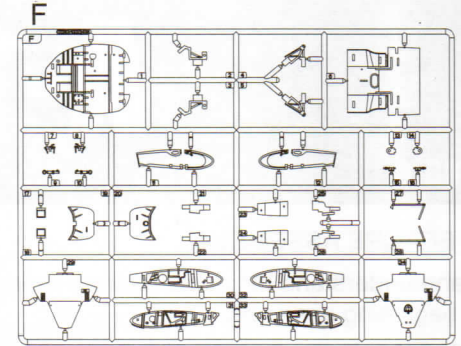
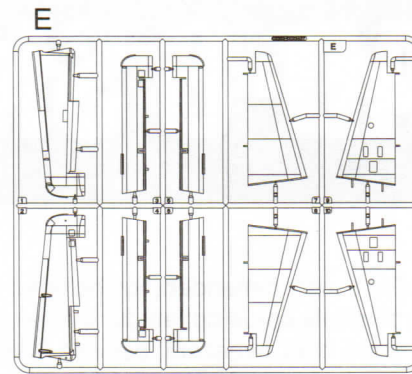
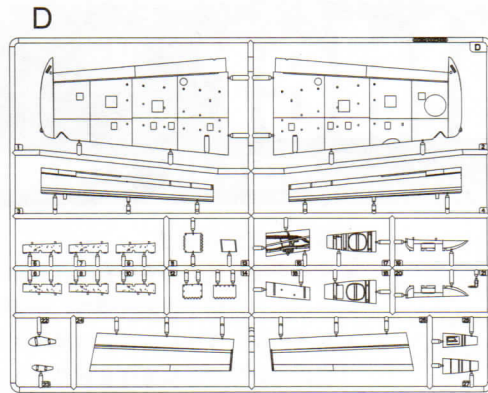
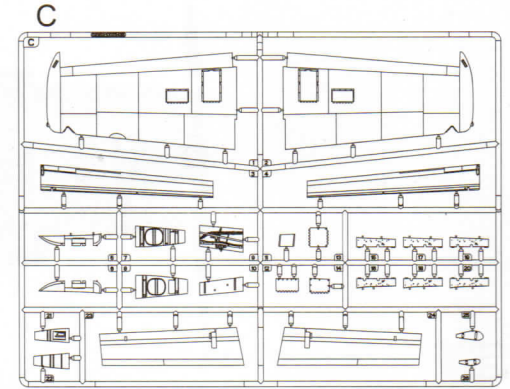
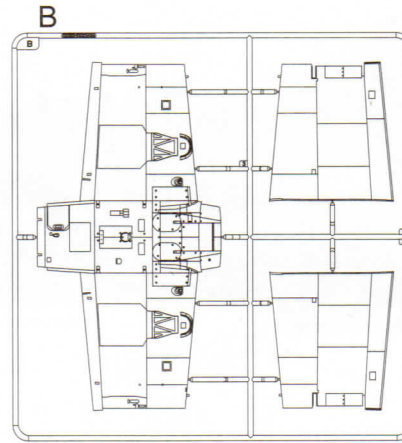
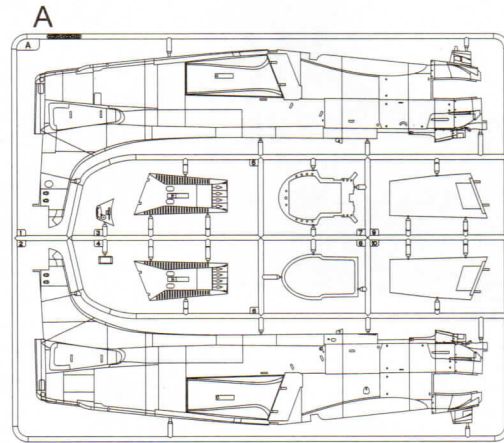


bend
弯曲



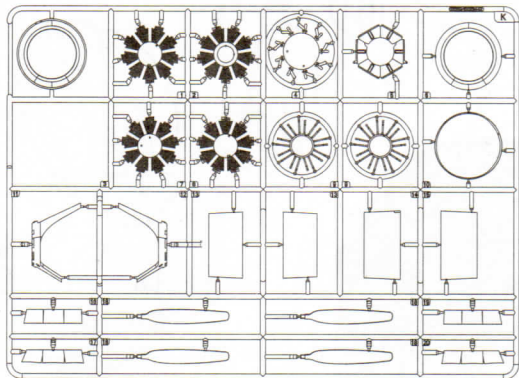
file / sand
锉平

部品图
Parts

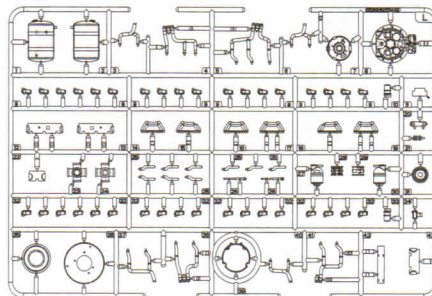


部品图
Parts

K



L



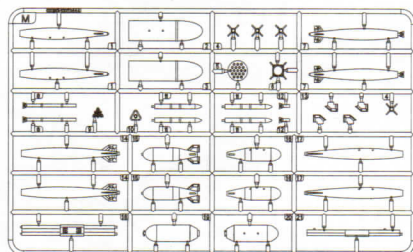
《蚀刻片》
Photo etched part (PE)



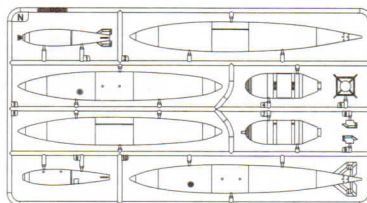
《水贴》
Decal



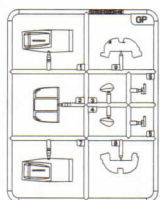
MX4



NX2



GP



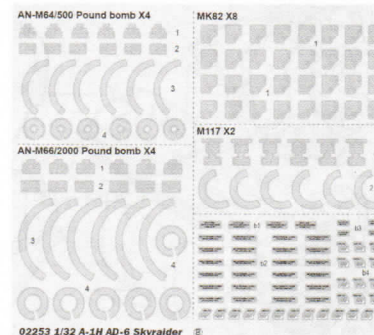
《座舱盖》
Canopy



《主轮胎》X2
Main tyre



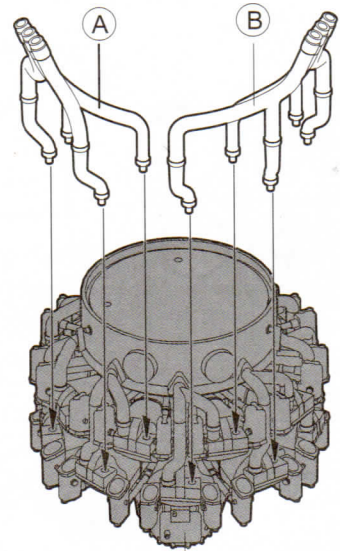
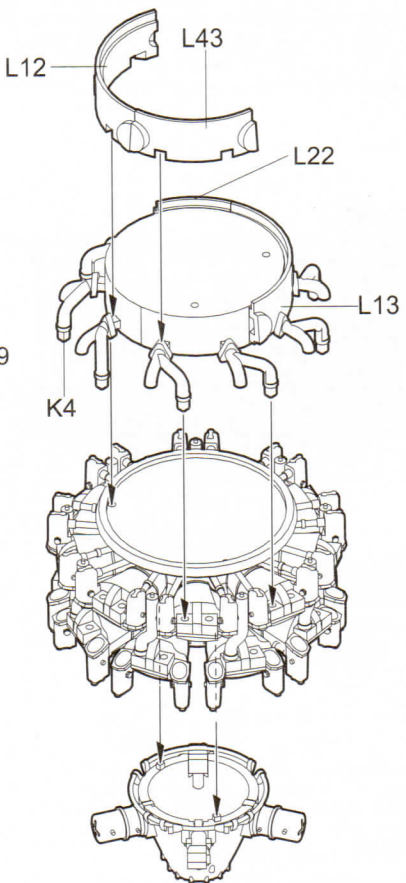
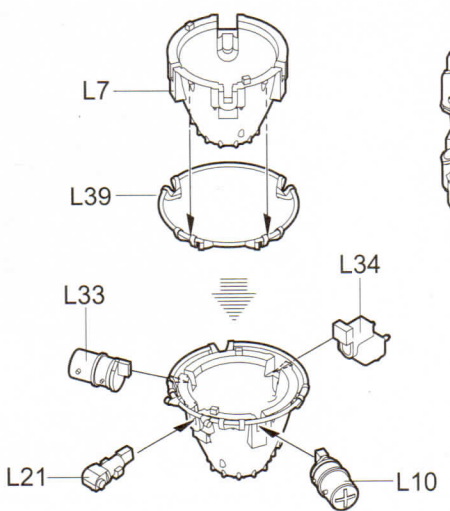
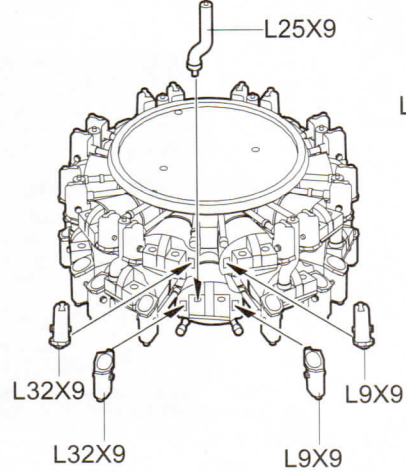
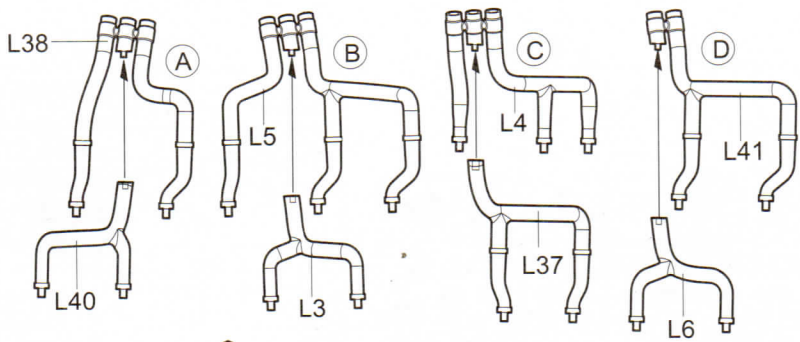
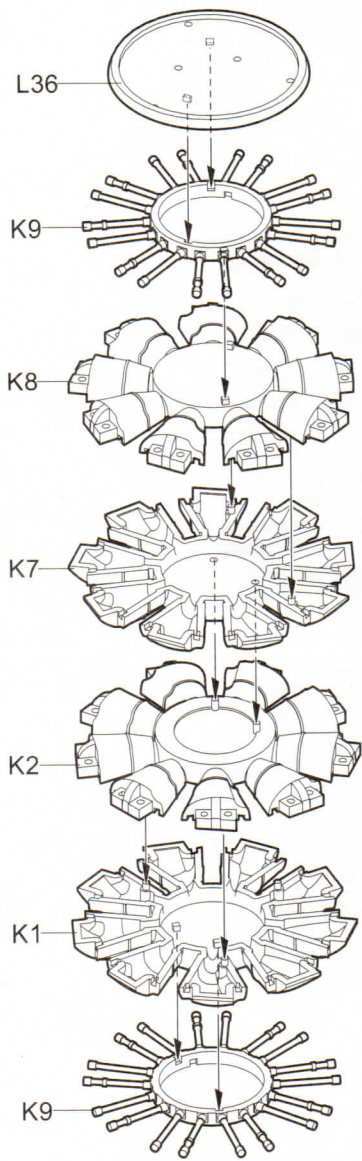
《尾轮胎》
Tail tyre



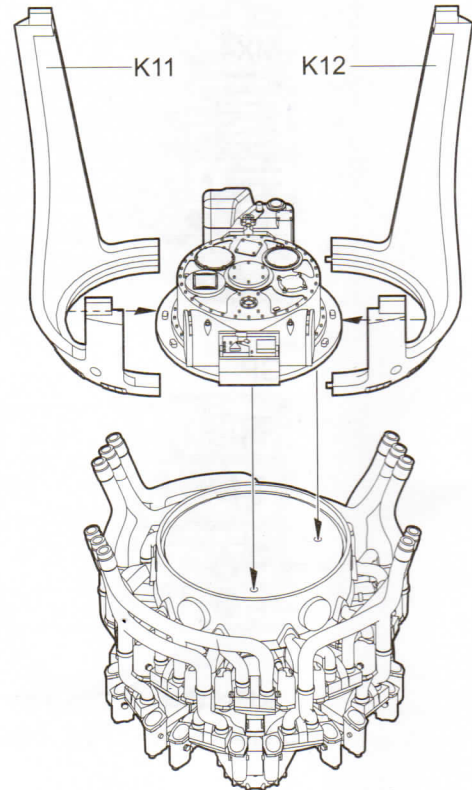
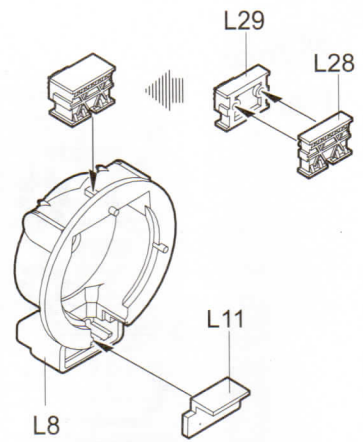
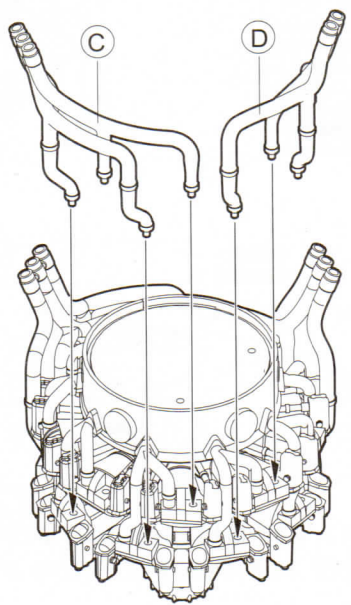
不用的零件: F20 F29 G13 G23 G40 G41 G42 G43 G45 G46 H5
Unused parts PE3 PE4 PE7 PE8 PE9 PE13 PE14 PE15 PE16 GP9

1

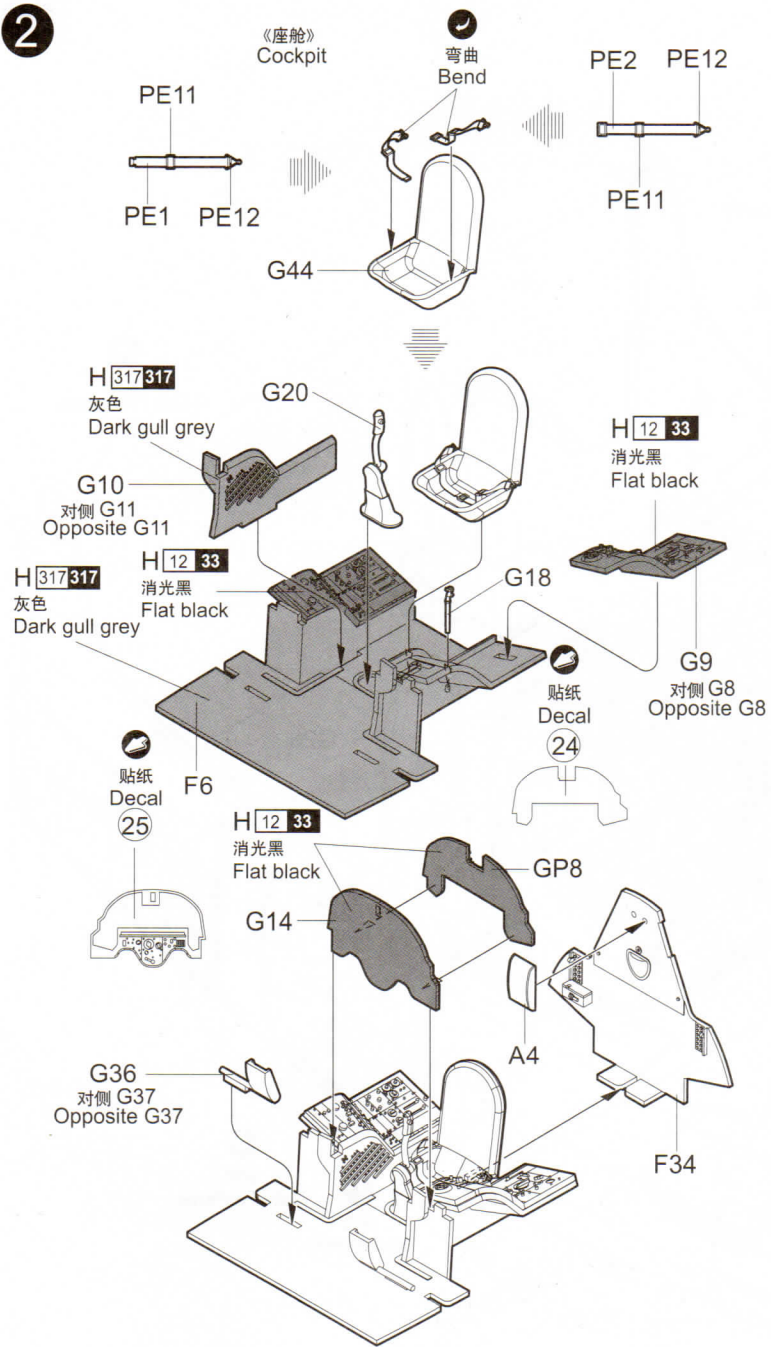
《发动机》
Engine



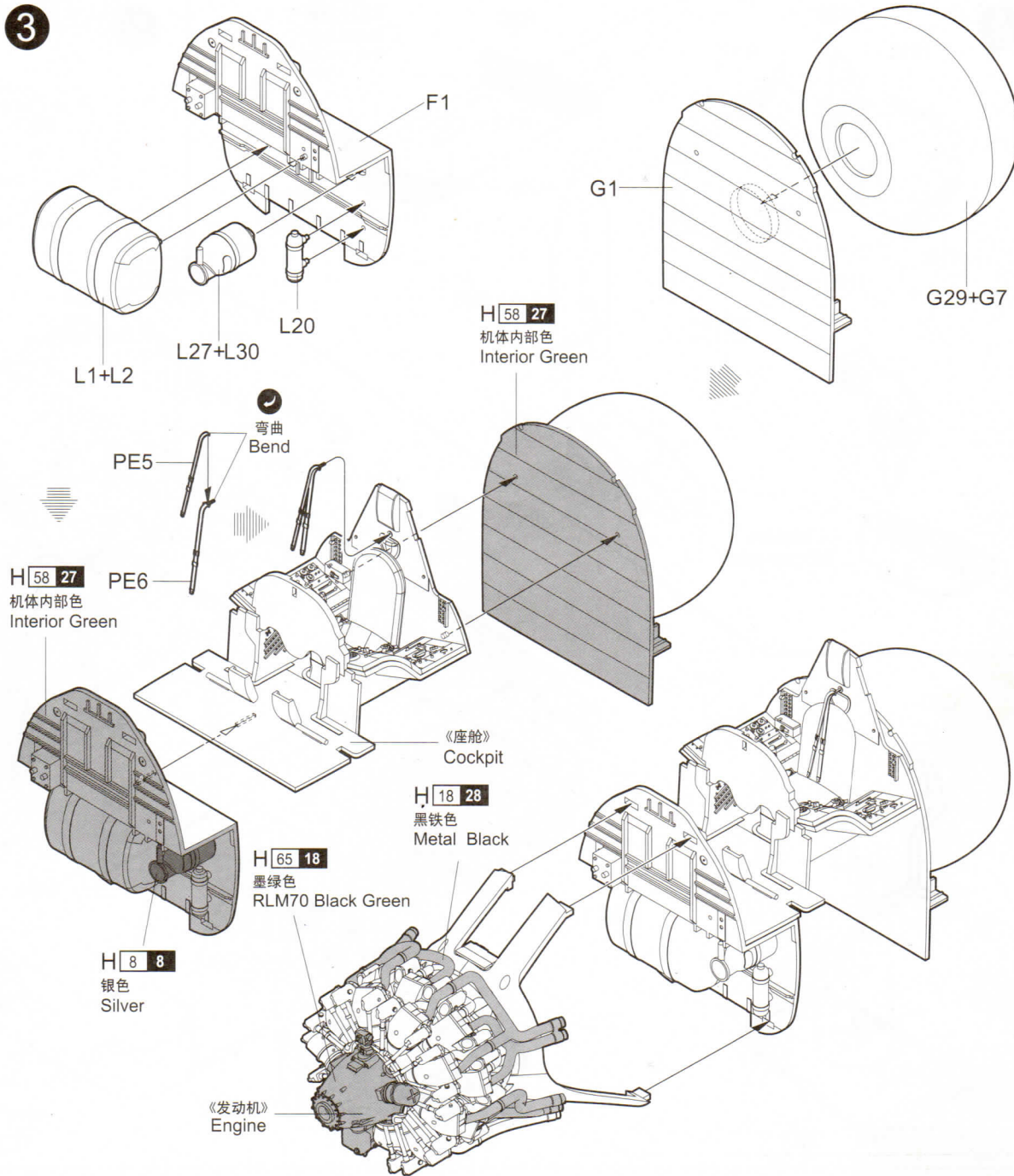
H 8 8
银色
Silver



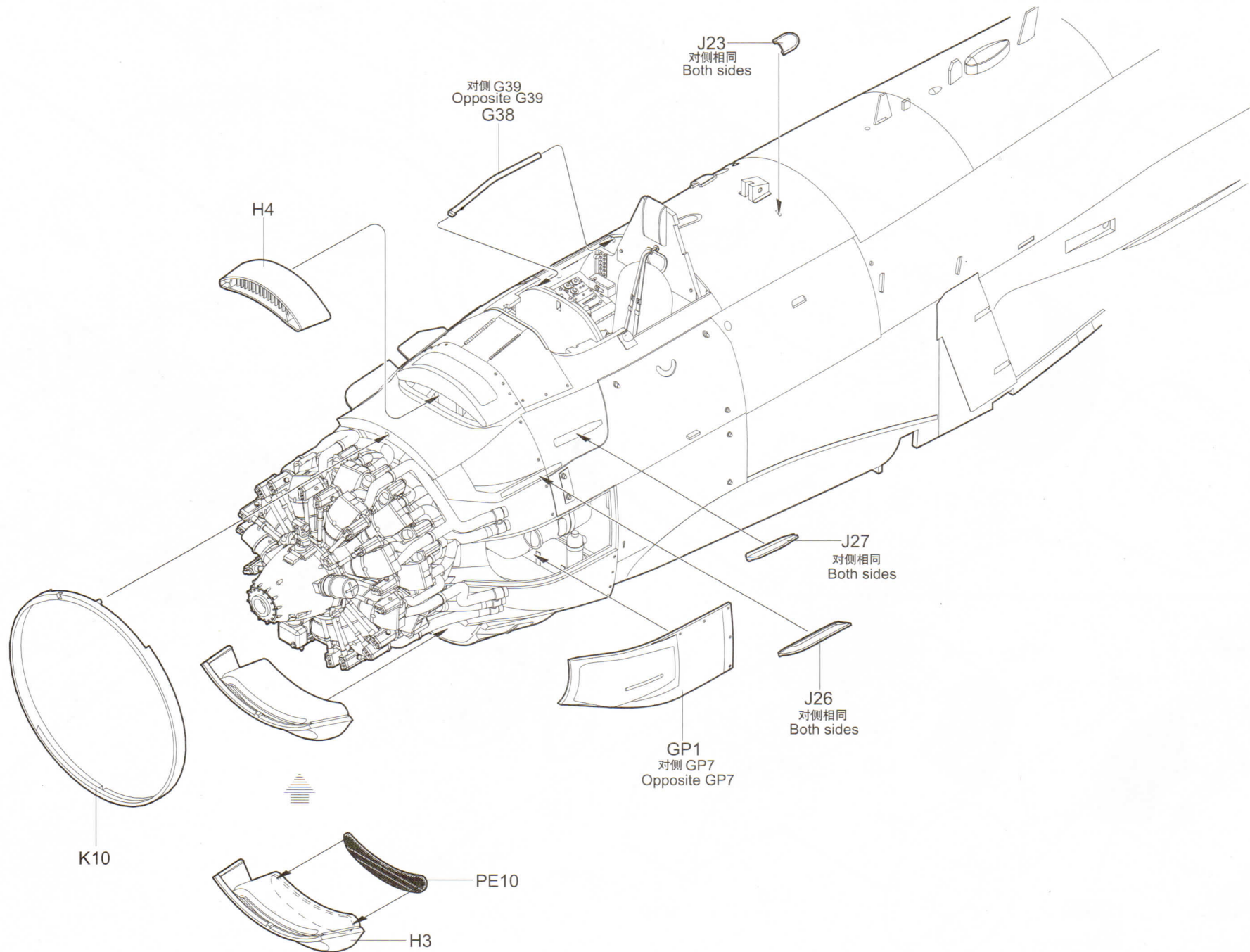
2



3

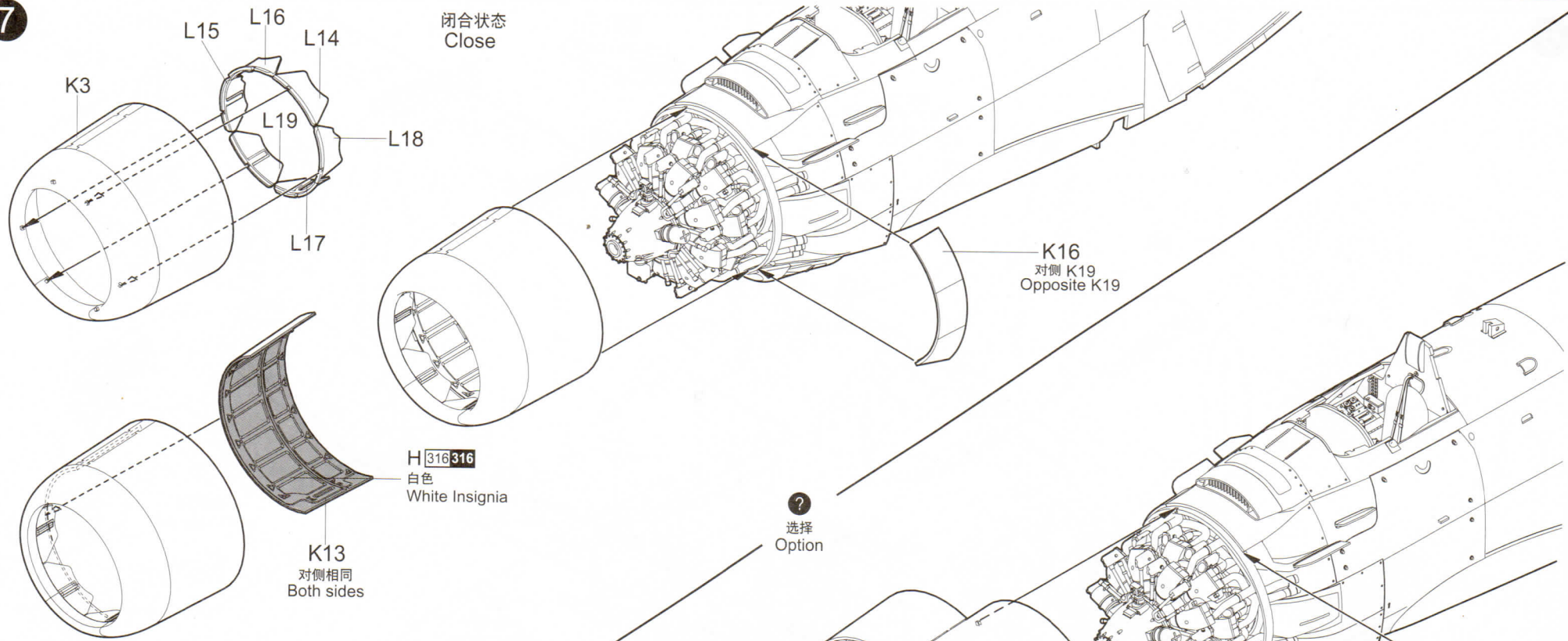


6



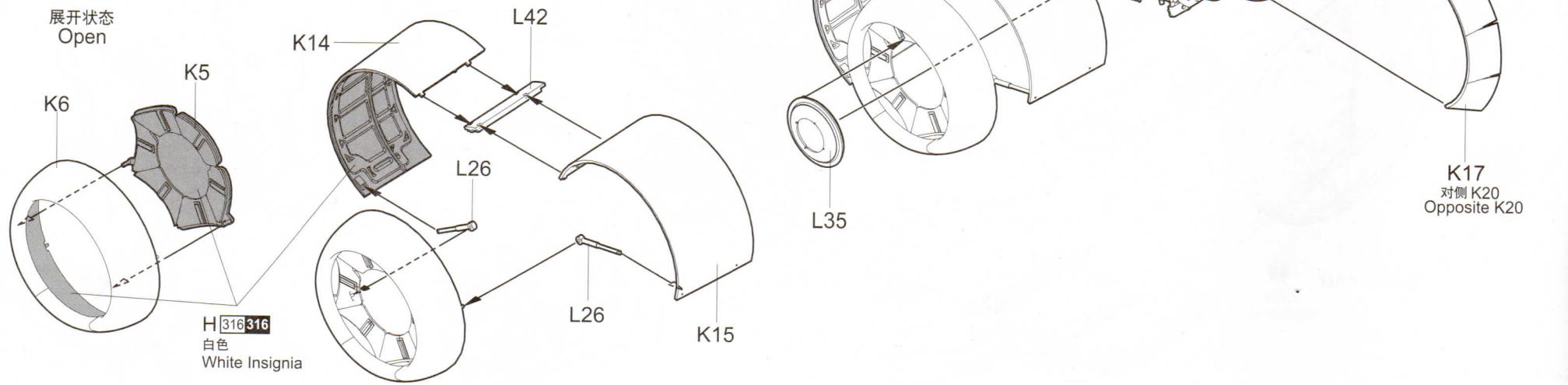
7

闭合状态
Close

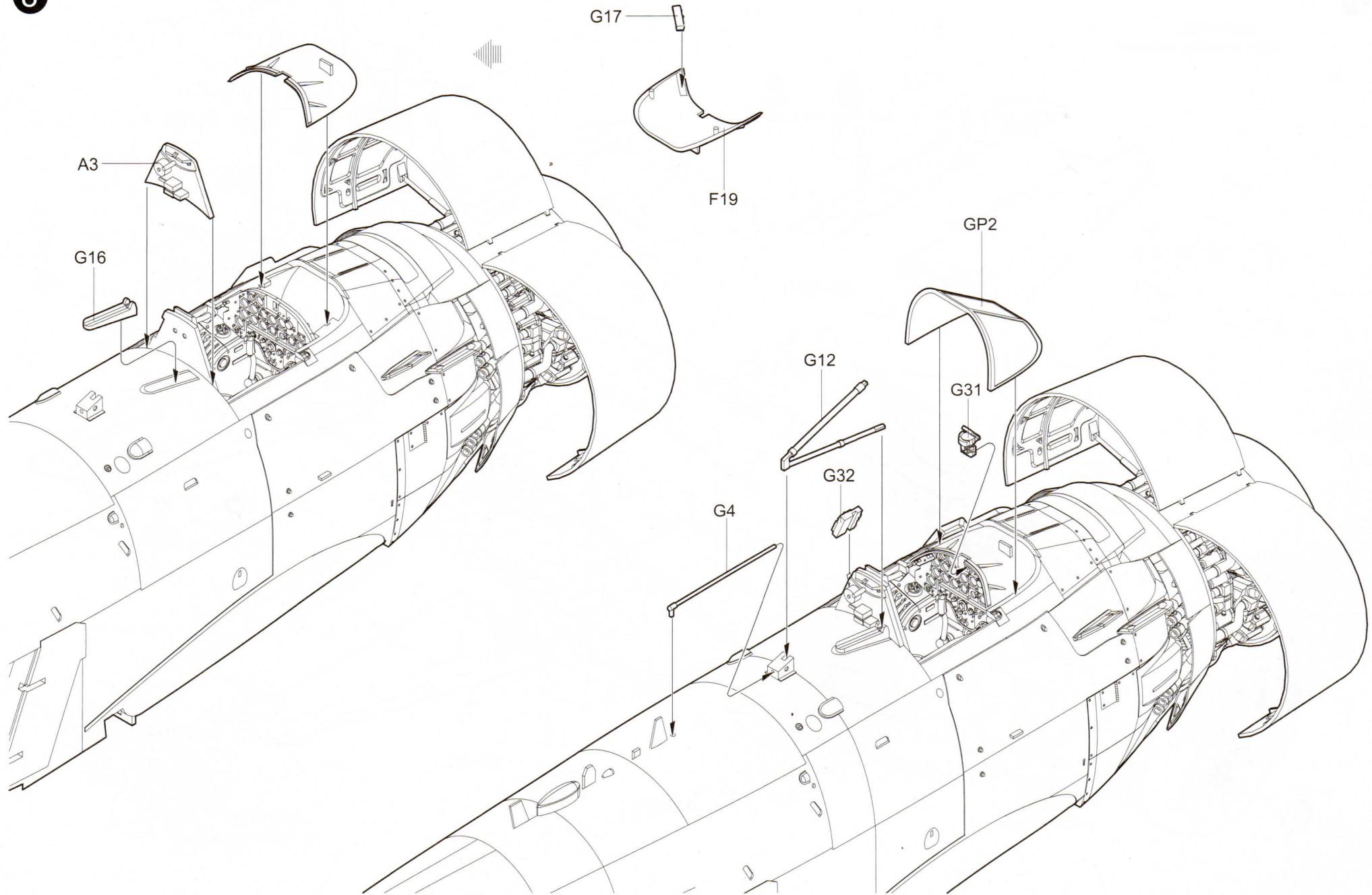


?
选择
Option

展开状态
Open

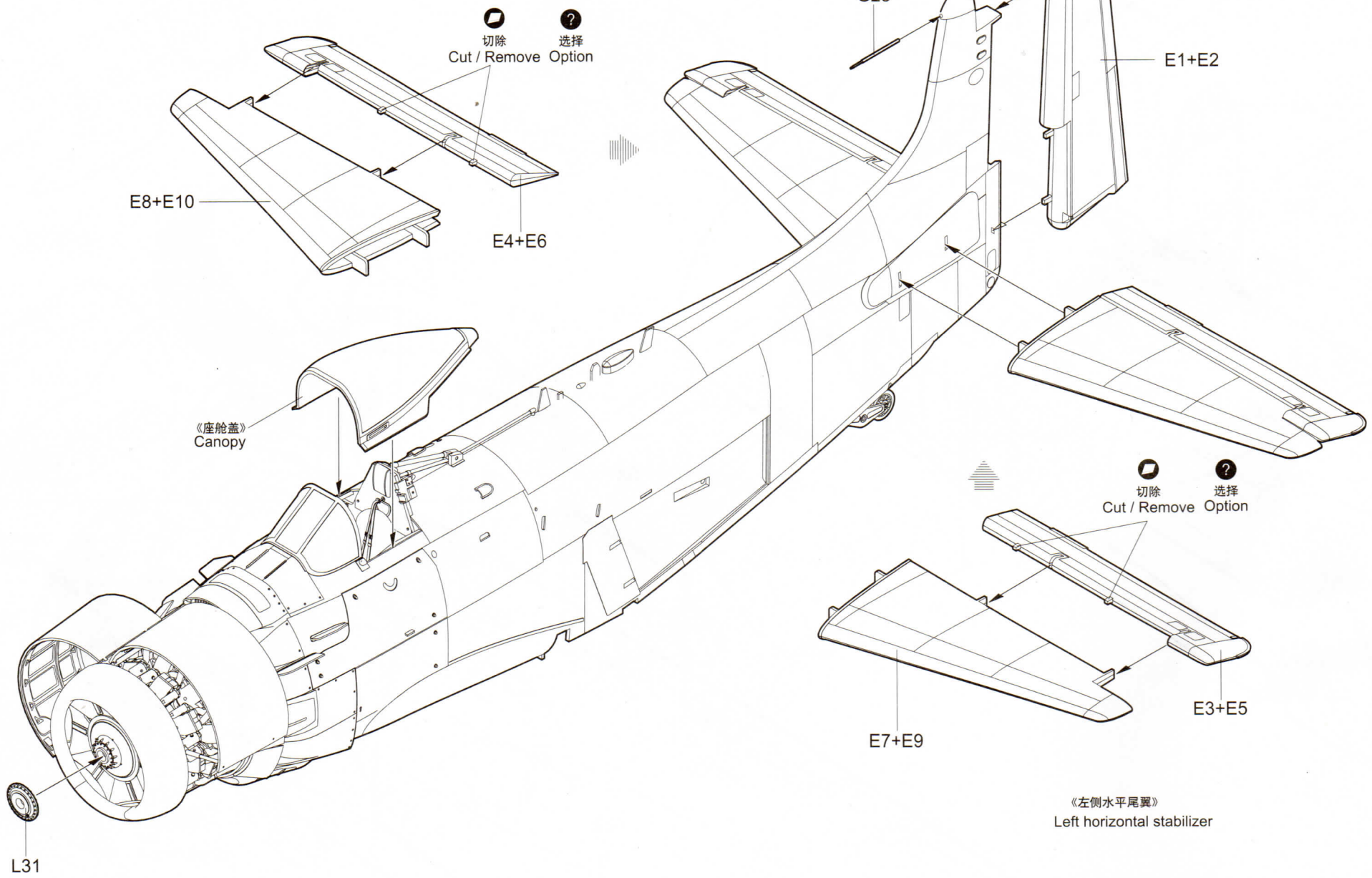


8

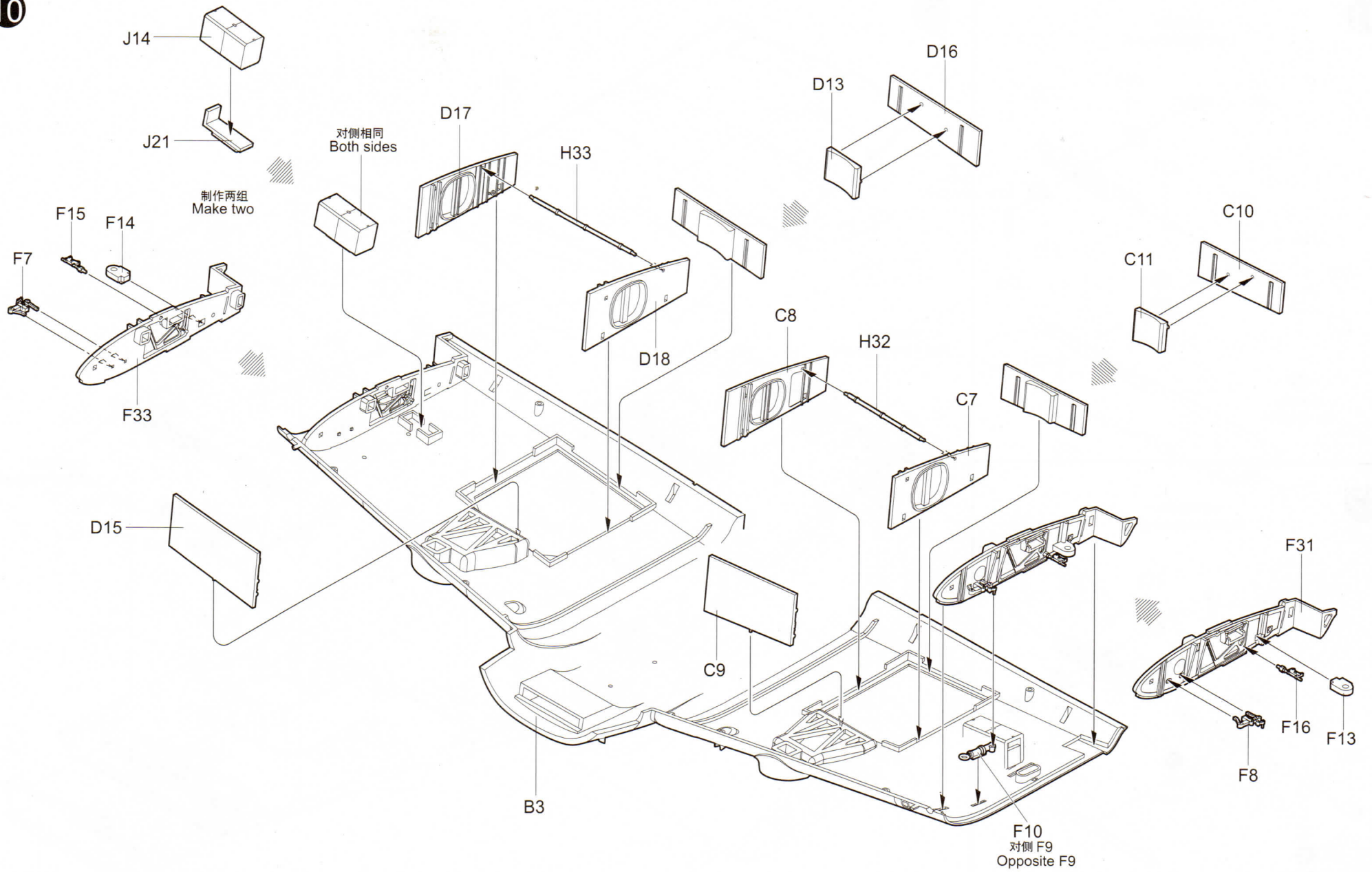


9

《右侧水平尾翼》
Right horizontal stabilizer

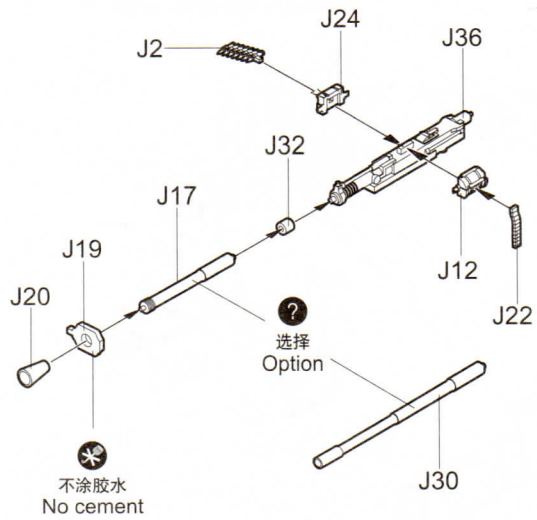


10



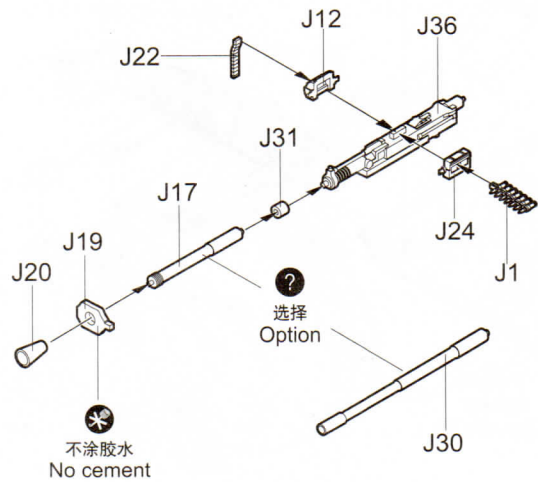
11

《左侧机枪》
Left Machine gun



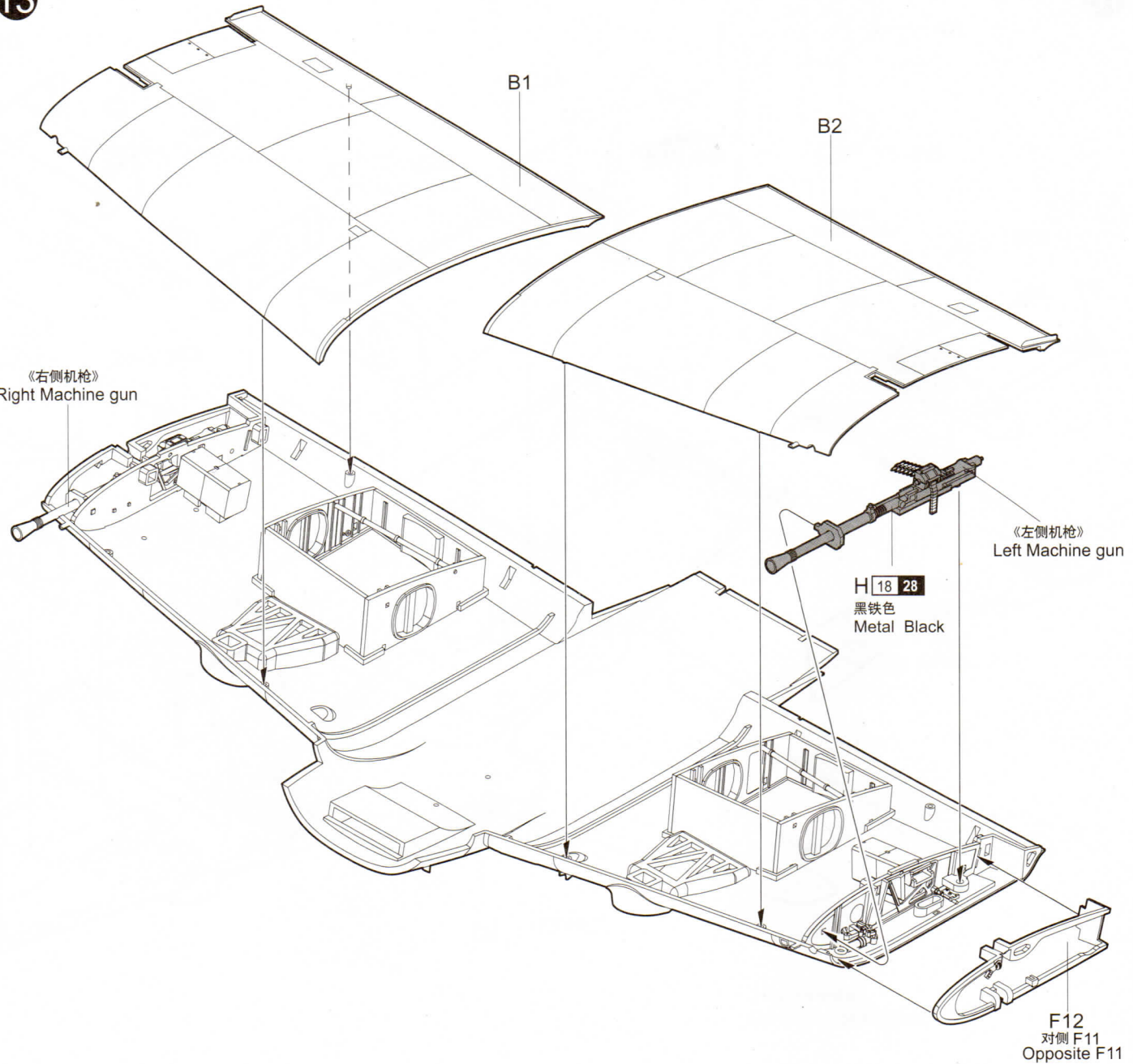
12

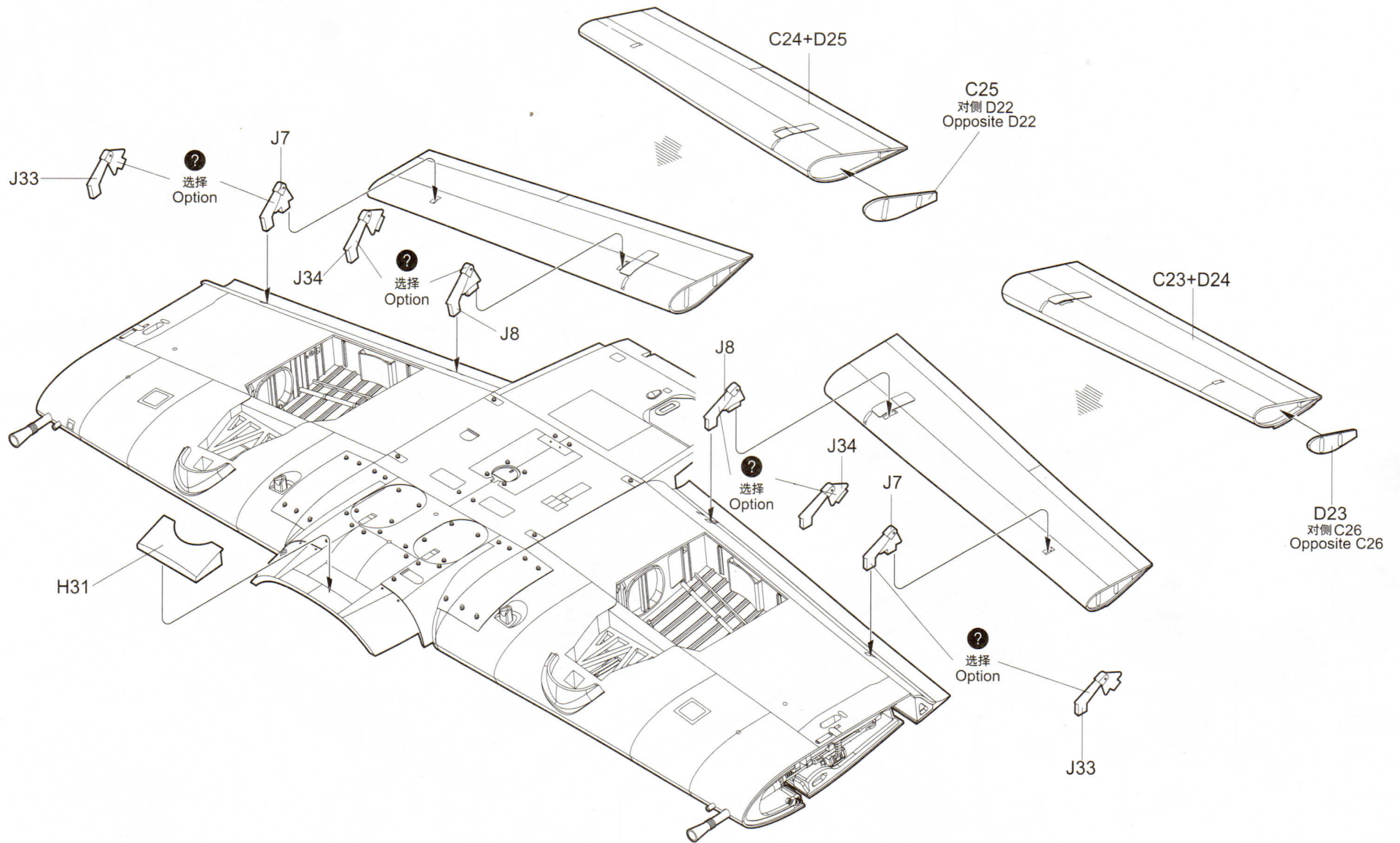
《右侧机枪》
Right Machine gun



13

《右侧机枪》
Right Machine gun





17

《右侧起落架》
Right undercarriage

对侧 H41
Opposite H41
H42

H46
对侧 H45
Opposite H45

对侧 H39
Opposite H39
H40

对侧 H44
Opposite H44
H43

《左侧起落架》
Left undercarriage

《左侧起落架》
Left undercarriage

16

《主轮胎》
Main tyre

选择
Option

H38

H2

J28

H7

《右侧起落架》
Right undercarriage

15

《主轮胎》
Main tyre

选择
Option

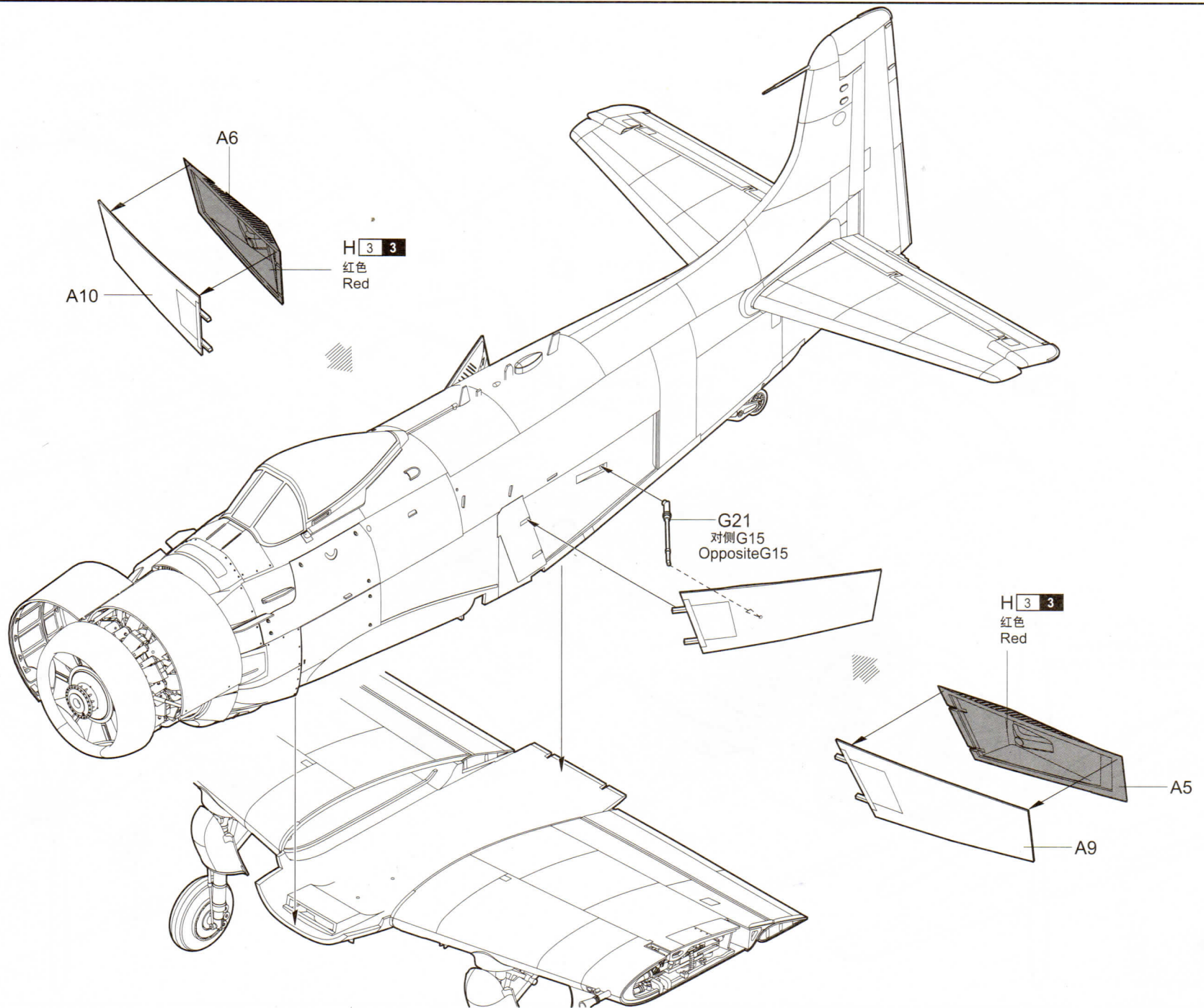
H35

H9

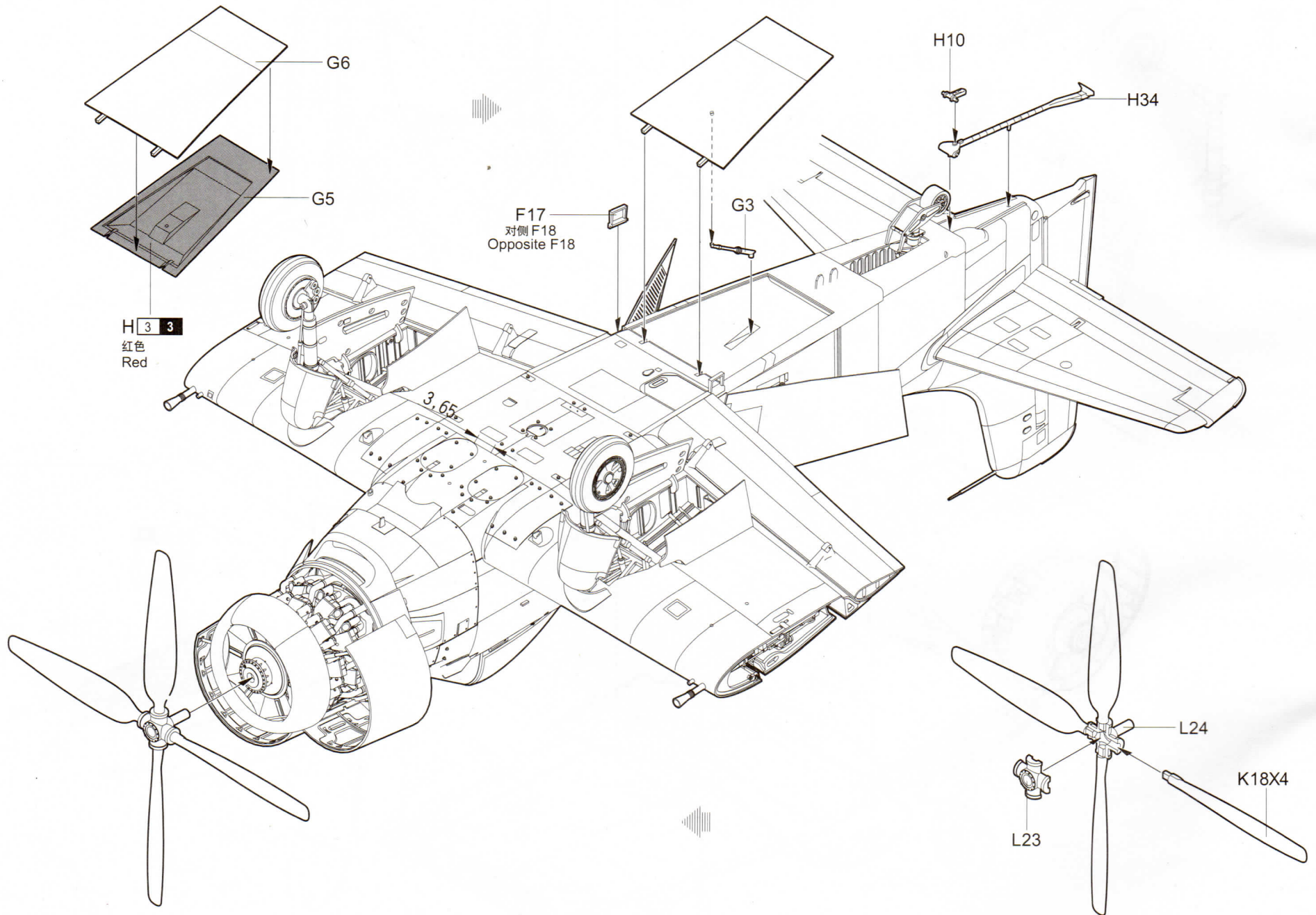
H1

H6

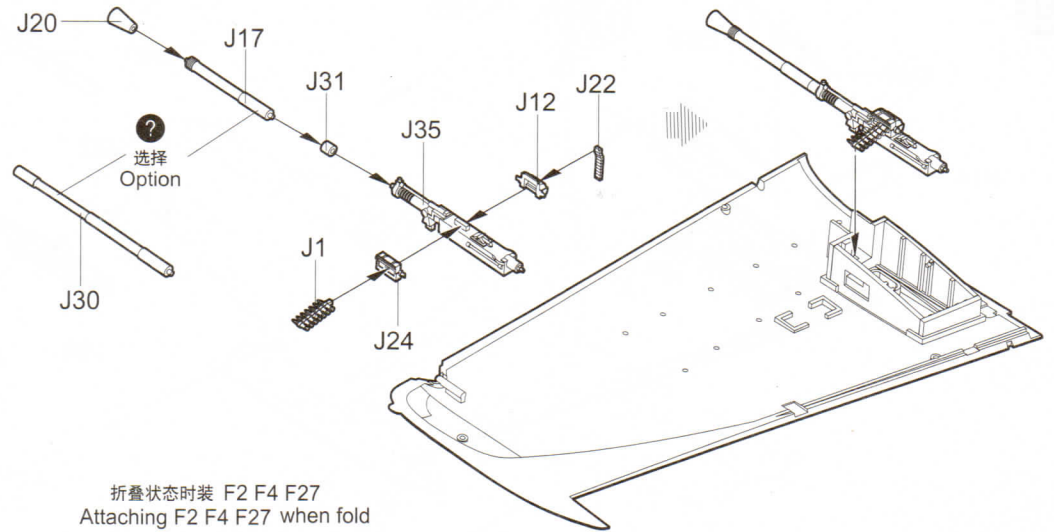
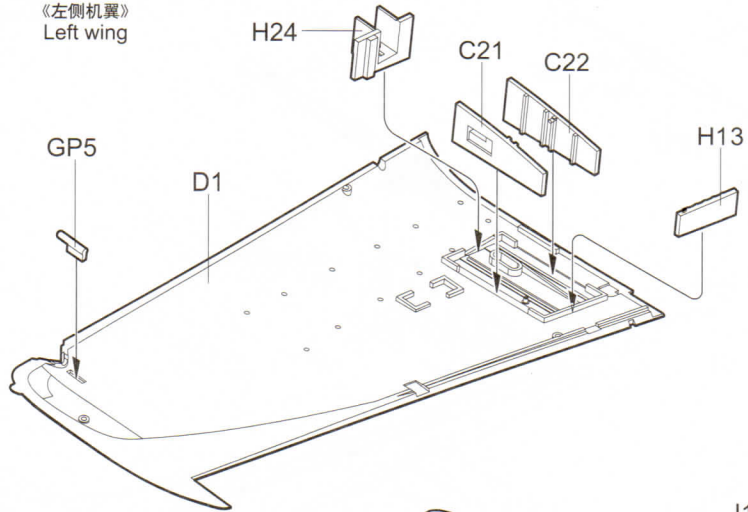
J28



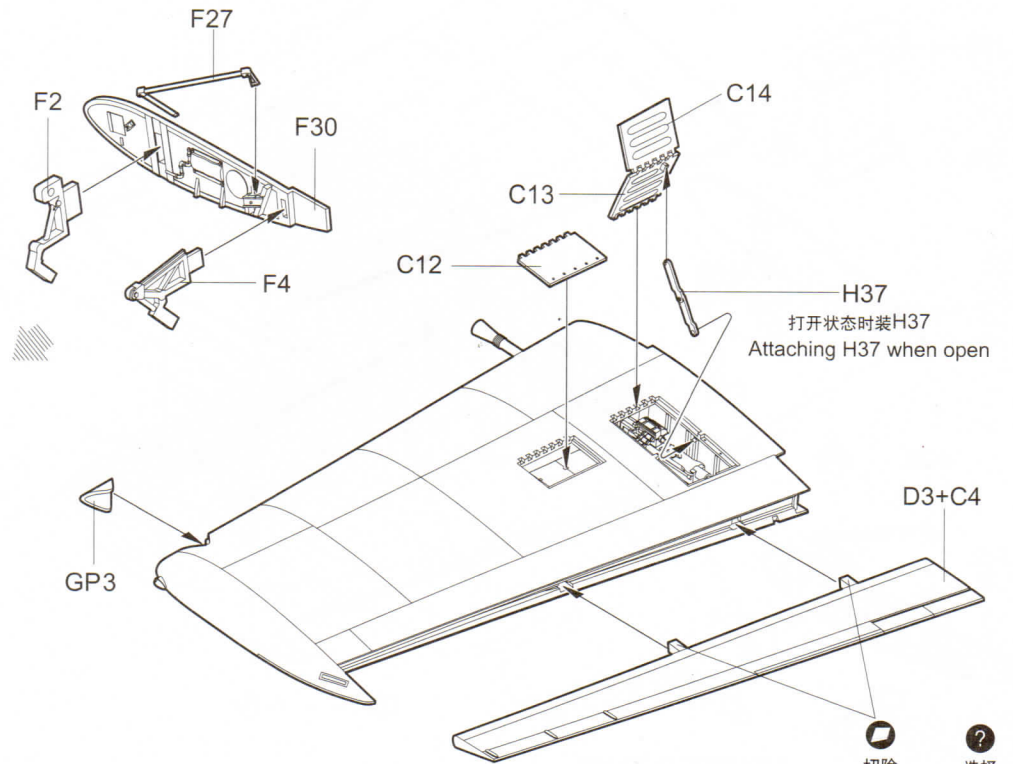
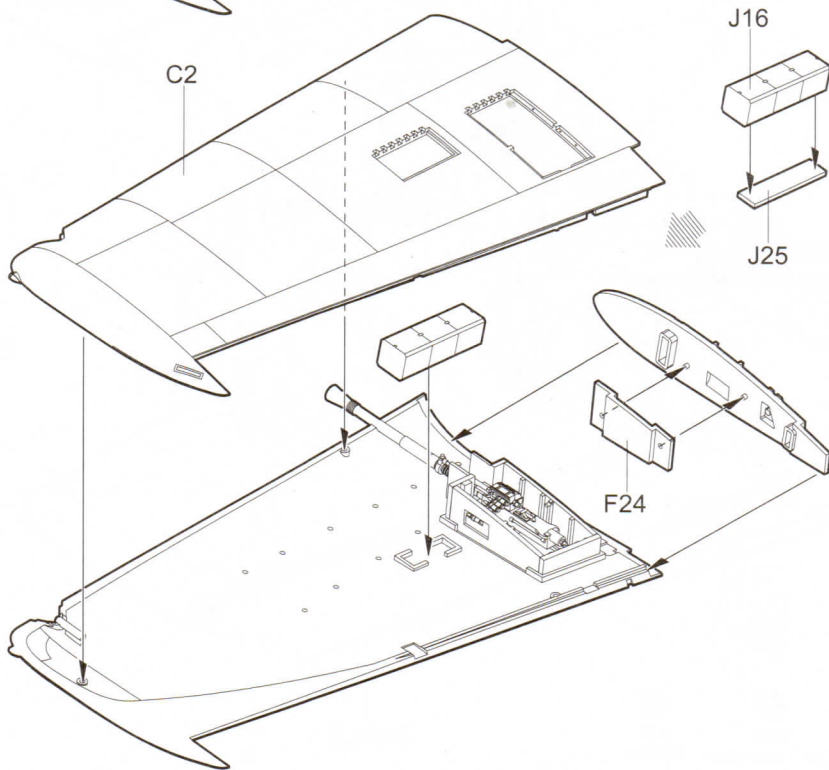
19



《左侧机翼》
Left wing

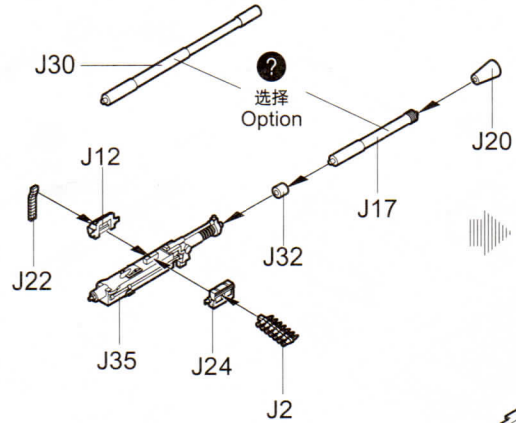
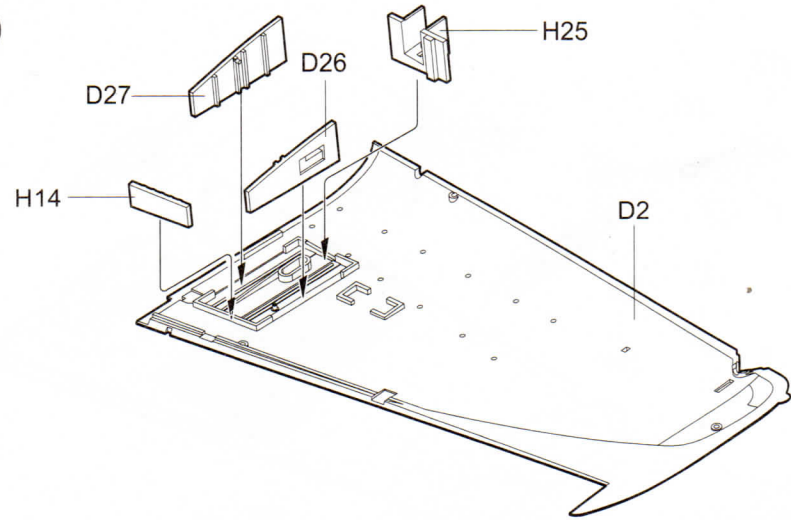


折叠状态时装 F2 F4 F27
Attaching F2 F4 F27 when fold

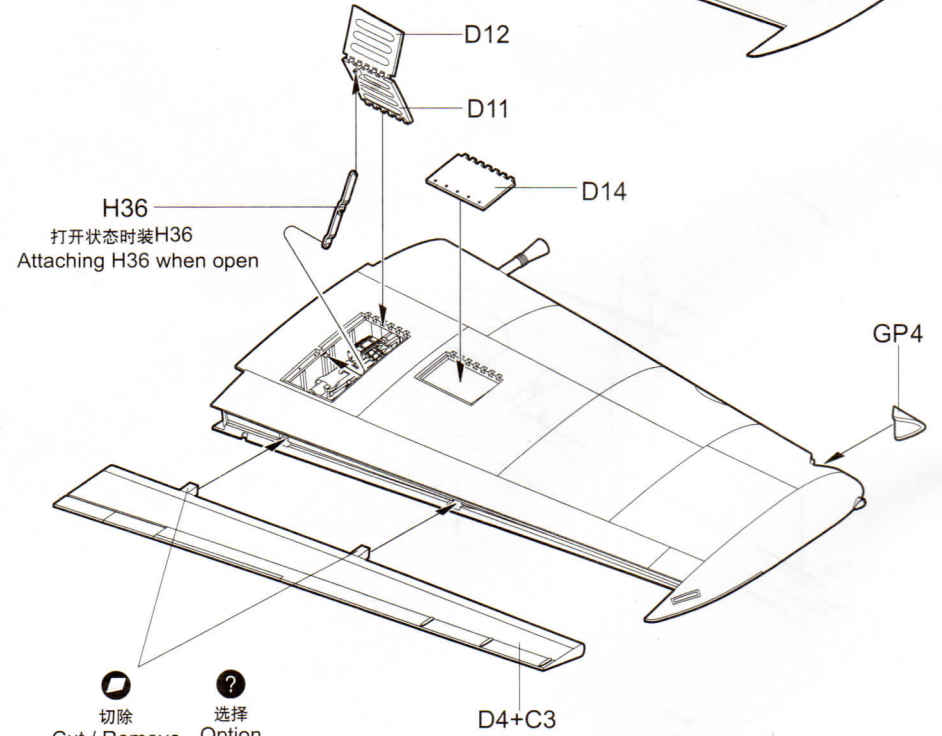
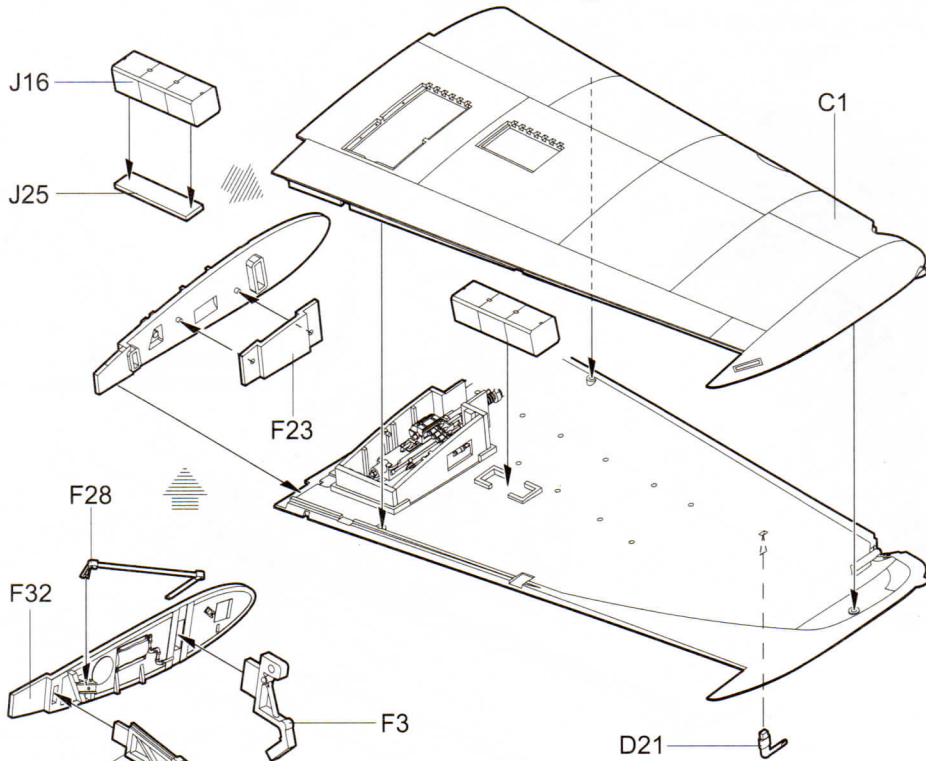
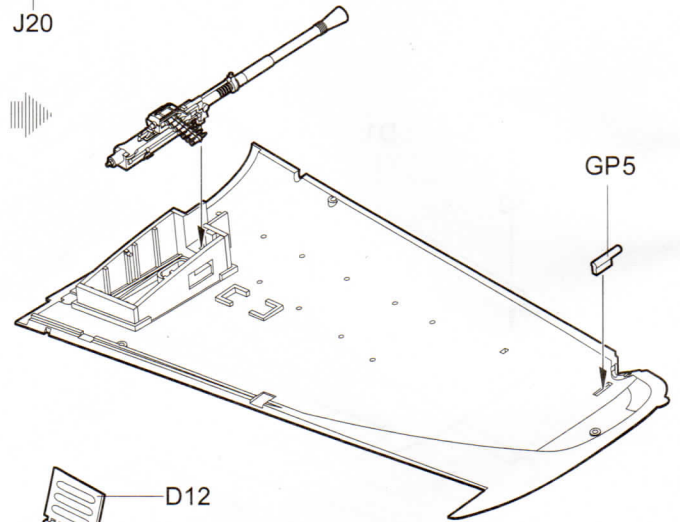


切除
Cut / Remove
选择
Option

21



《右侧机翼》
Right wing



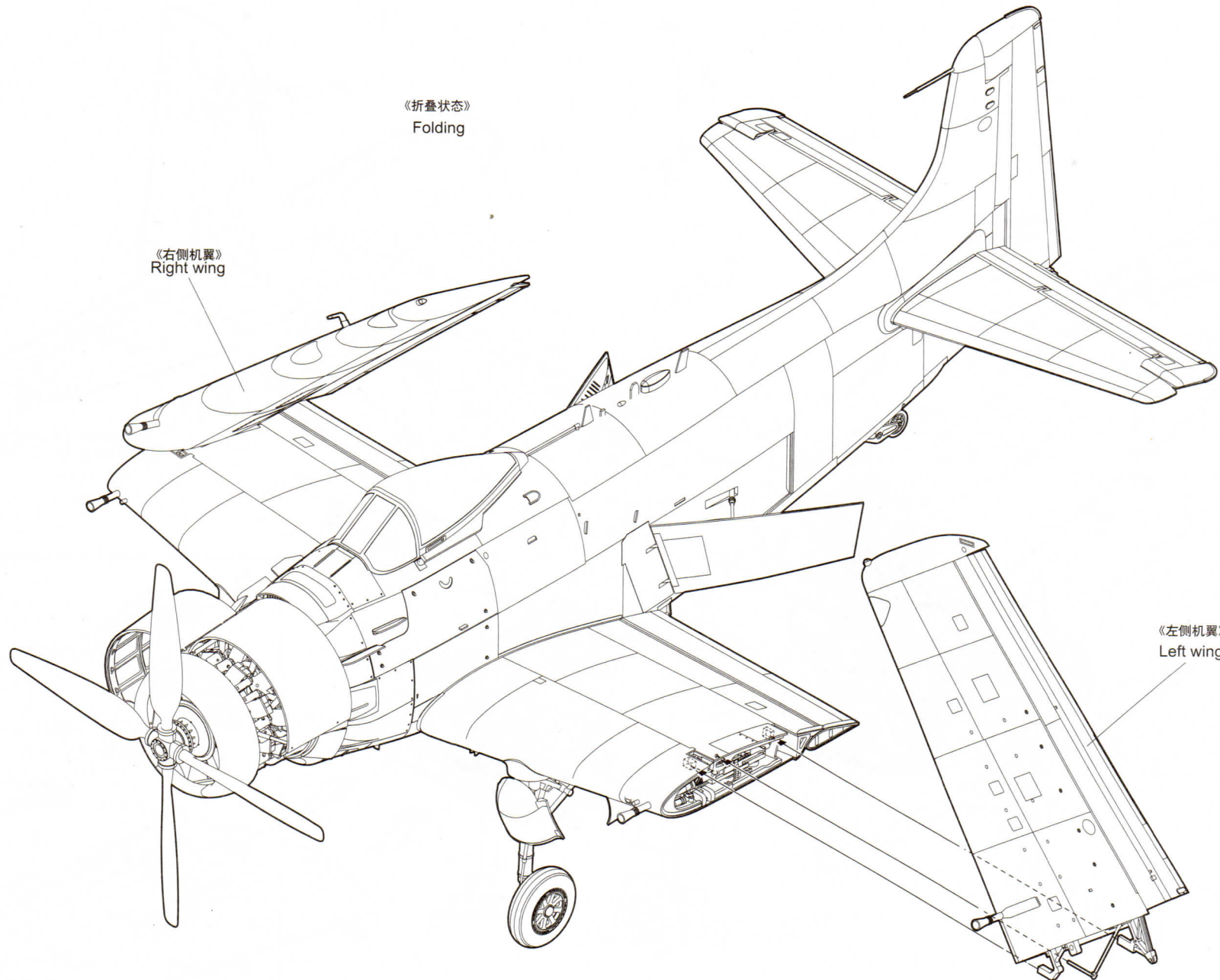
折叠状态时装 F3 F5 F28
Attaching F3 F5 F28 when fold

切除
Cut / Remove

选择
Option

《折叠状态》
Folding

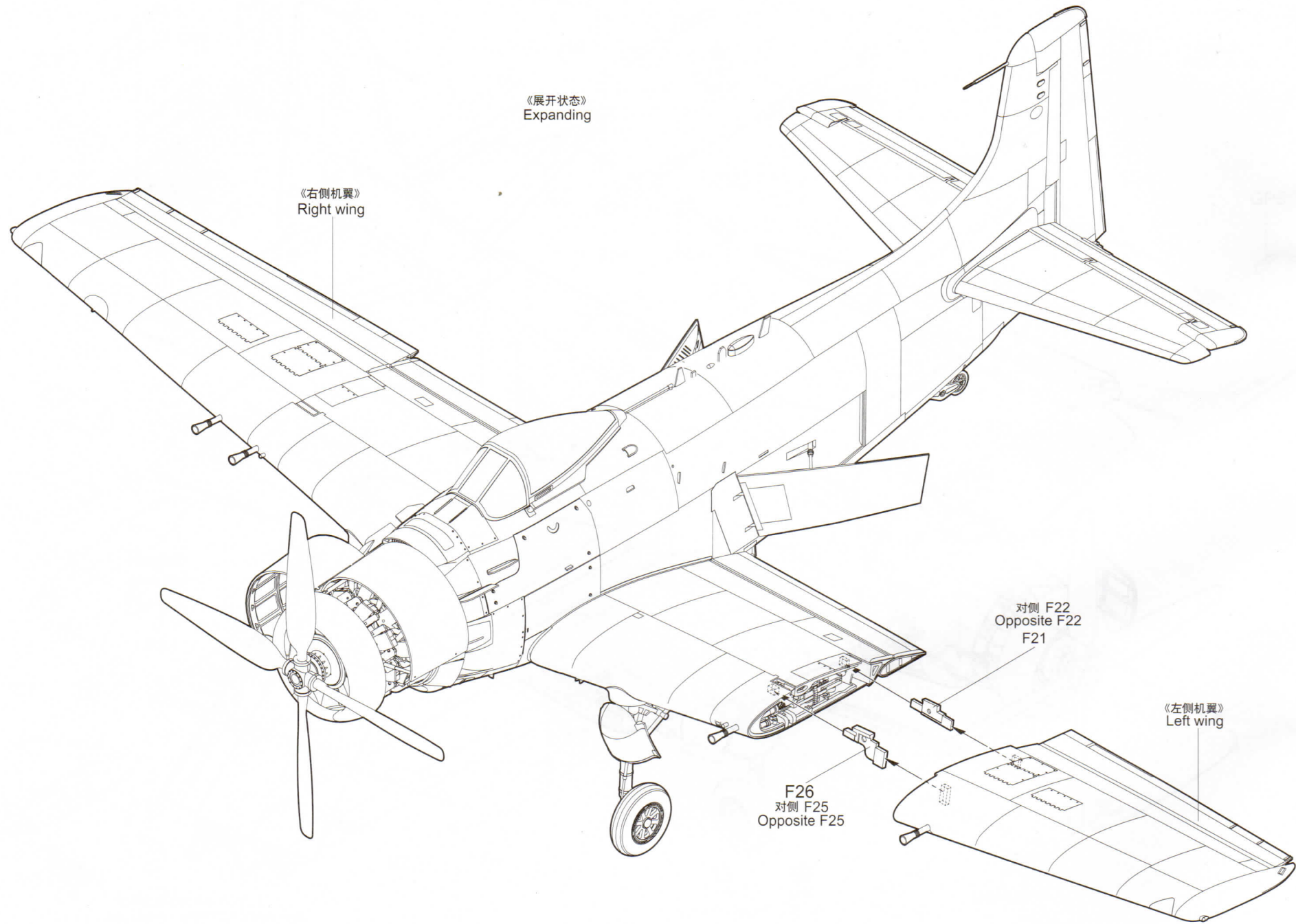
《右侧机翼》
Right wing

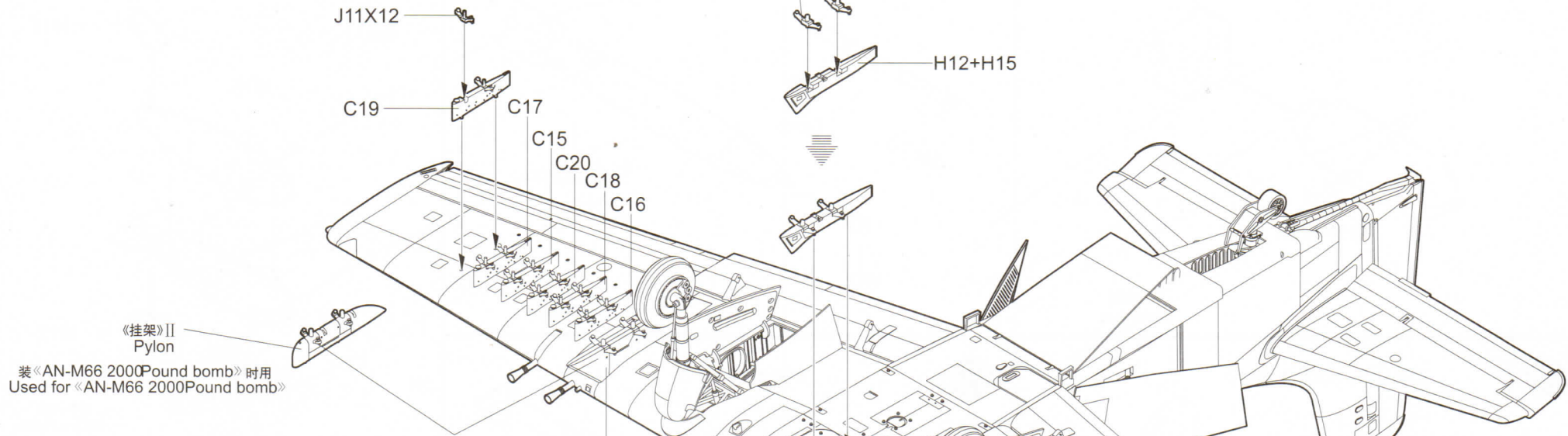


《左侧机翼》
Left wing

《展开状态》
Expanding

《右侧机翼》
Right wing





选择 Option

《挂架》I Pylon

J11X12

D5

《挂架》III Pylon

选择 Option

《挂架》IV Pylon

装《AN-M662000 Pound bomb》时用
Used for 《AN-M66 2000Pound bomb》

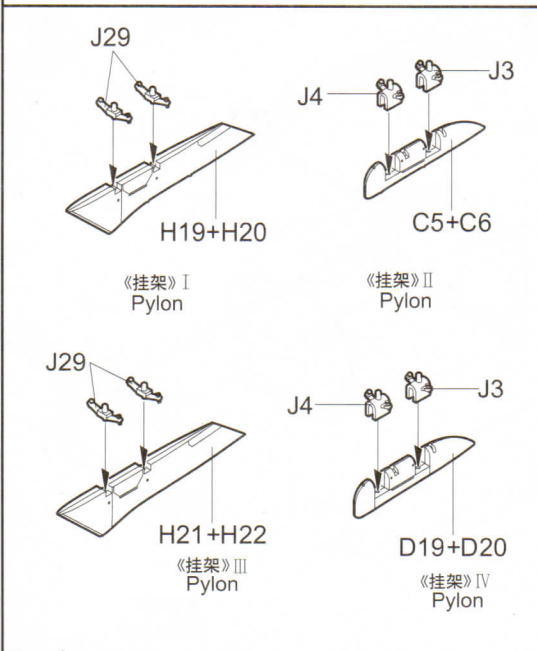
D10

D8

D6

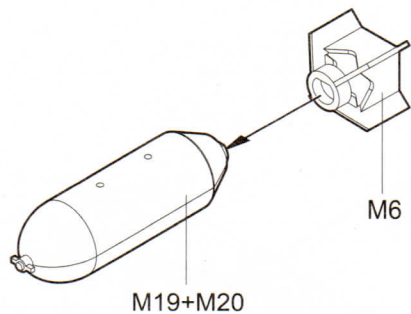
D9

D7



25

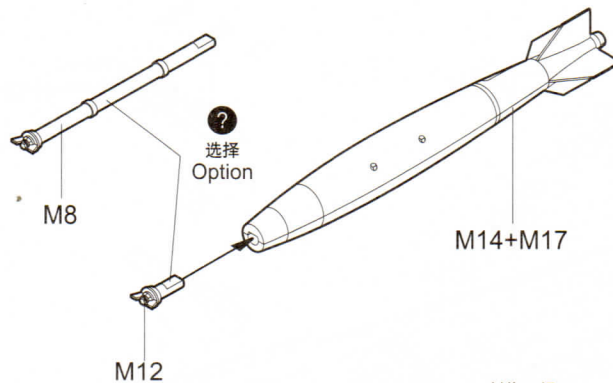
《AN-M64 500Pound bomb》



制作四组
Make four

26

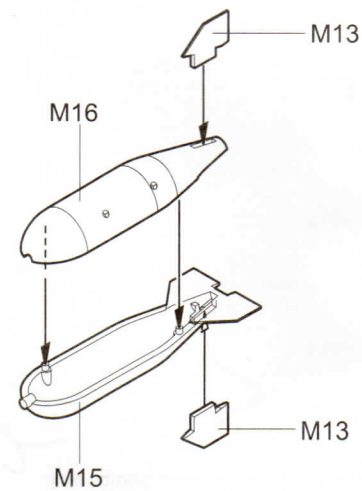
《MK.82》



制作八组
Make eight

27

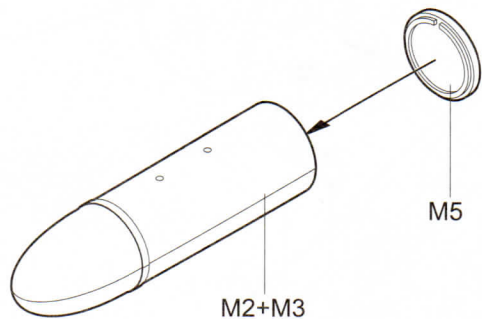
《Bomb》



制作八组
Make eight

28

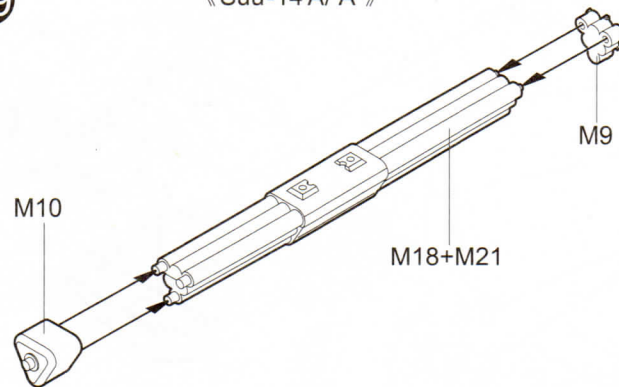
《LAU-3 Rocket pod》



制作四组
Make four

29

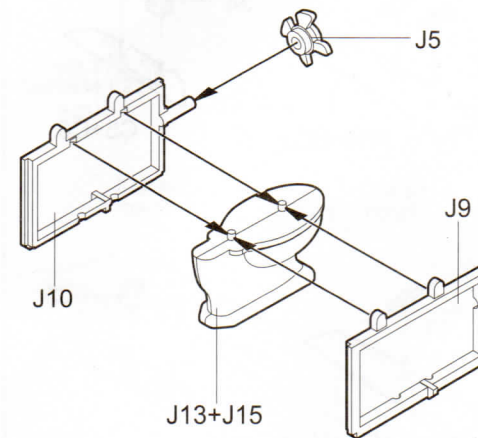
《Suu-14 A/A》



制作四组
Make four

32

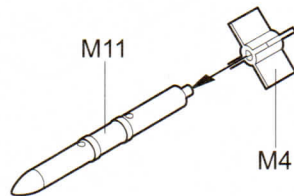
《Toilet》



制作两组
Make two

30

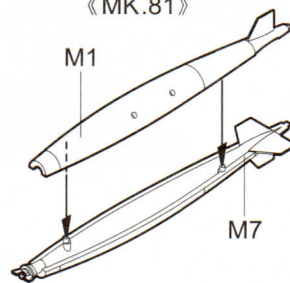
《5- Inch rocket》



制作十六组
Make sixteen

31

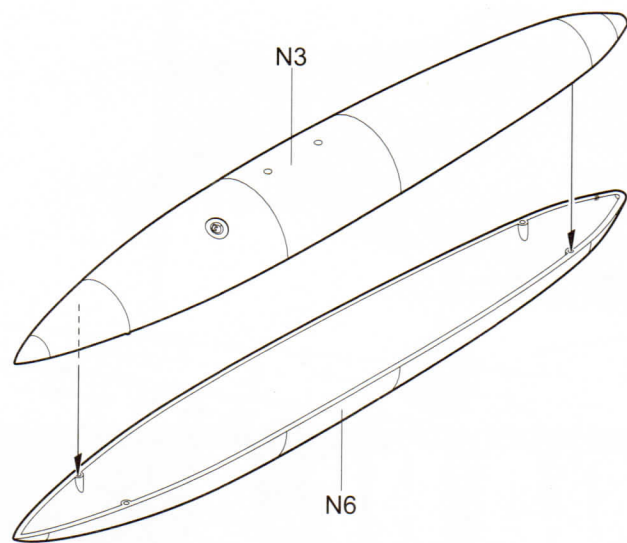
《MK.81》



制作八组
Make eight

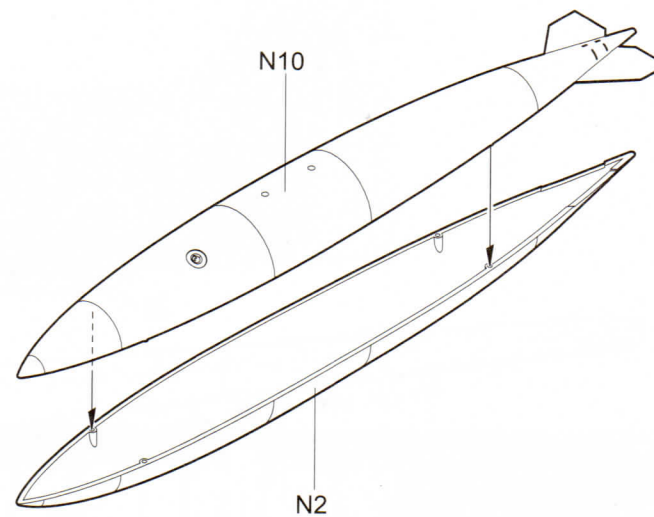
33

《Center line fuel tank》



34

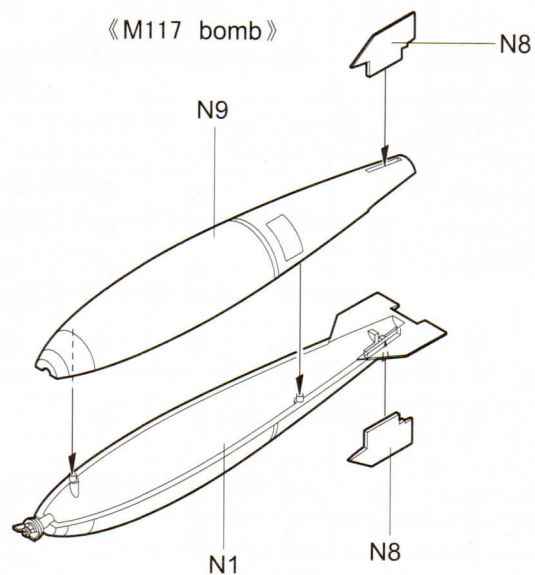
《Side fuel tank》



制作两组
Make two

35

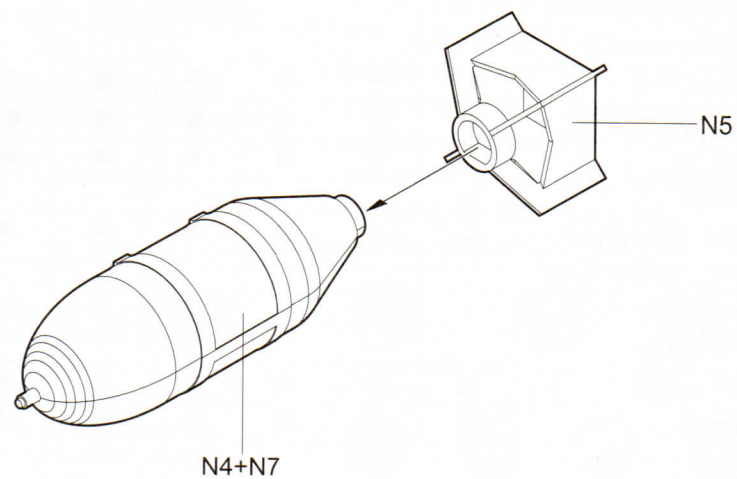
《M117 bomb》



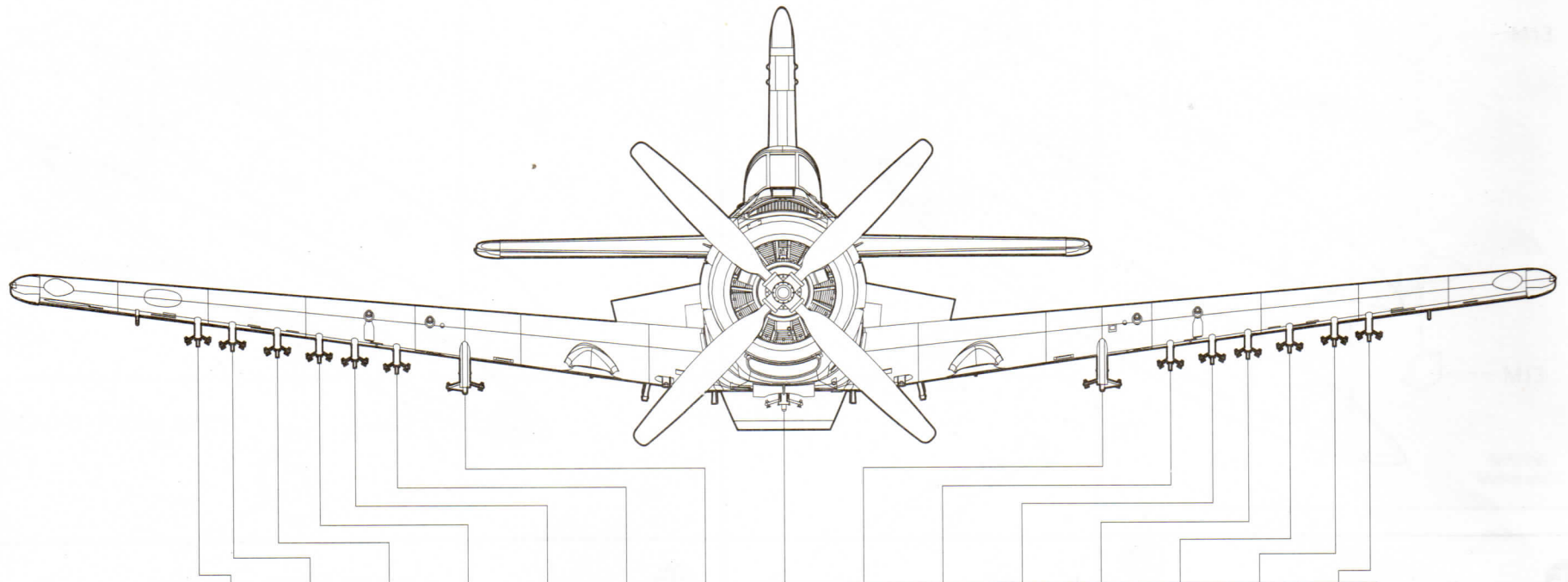
制作两组
Make two

36

《AN-M66 2000 Pound bomb》



制作两组
Make two



Sta.No.	1	2	3	4	5	6	7	8	9	10	11	12	13	14	15
Center line fuel tank								●							
Side fuel tank							●		●						
Suu-14 A/ A	●	●	●	●	●	●				●	●	●	●	●	●
MK.81	●	●	●	●	●	●				●	●	●	●	●	●
MK.82	●	●	●	●	●	●				●	●	●	●	●	●
Toilet	●														●
AN- M64 500 Pound bomb	●	●	●	●	●	●				●	●	●	●	●	●
AN- M66 2000 Pound bomb							●		●						
LAU-3 Rocket pod		●		●		●				●		●		●	
M117 bomb							●		●						
5-Inch rocket	●	●	●	●	●	●				●	●	●	●	●	●
Bomb	●	●	●	●	●	●				●	●	●	●	●	●

涂装同标贴指示
Painting & Marking guide

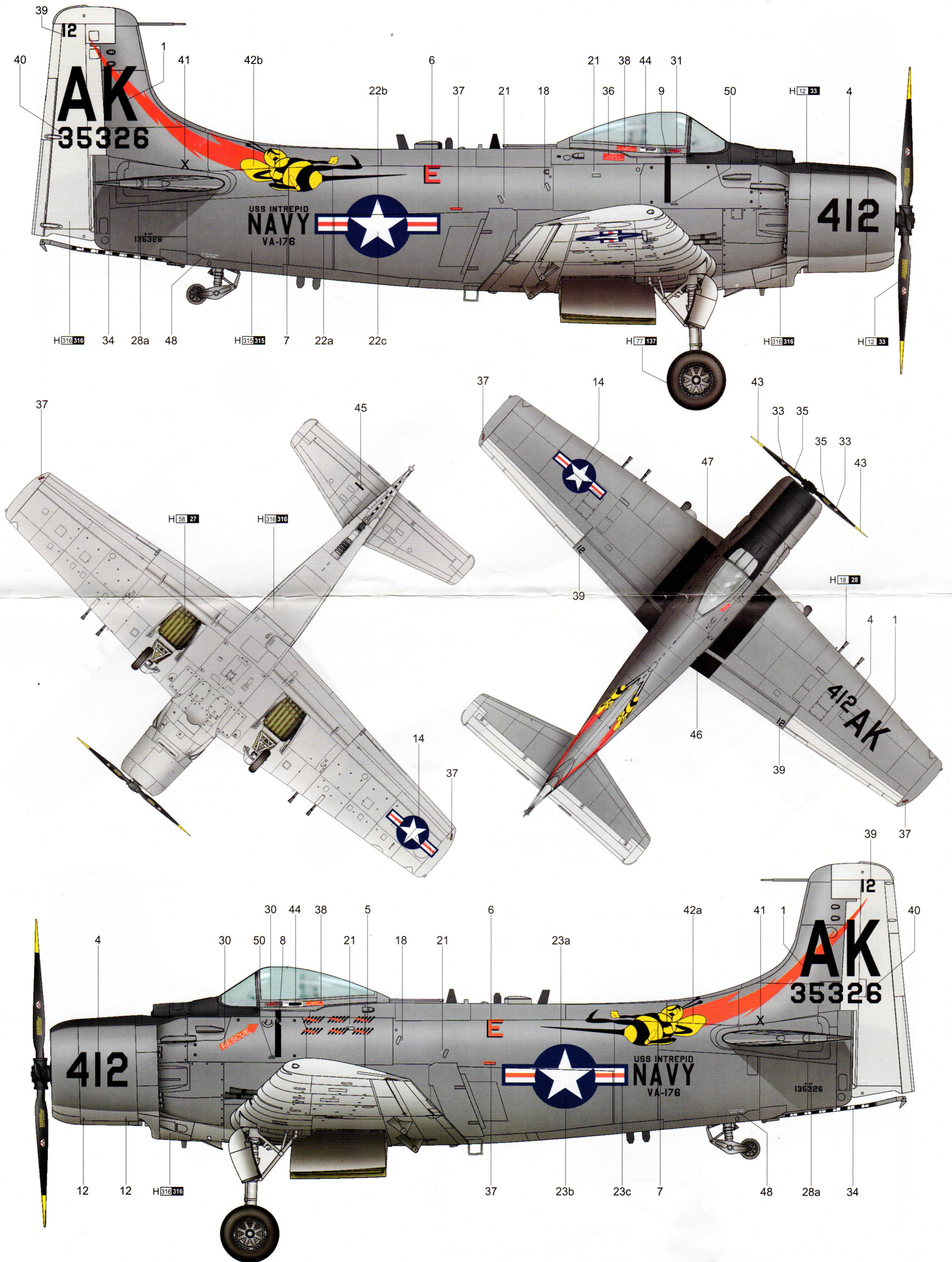
A US Navy, VA-176, A-1H, 412/AK
(BuNo.135326)

PAINT REFERENCE COLOUR

Color	Mr.Hobby	Vallejo	Model Master	Tamiya	Humbrol
Lighty Gull 发色	H 315 315	843	1730	-	129
White Insignia 白色	H 316 316	991	1745	X2	22
Flat Black 消光黑	H 12 33	950	1749	XF1	33

PAINT REFERENCE COLOUR

Color	Mr.Hobby	Vallejo	Model Master	Tamiya	Humbrol
Steel(Metal Black) 黑铁色	H 18 28	864	1402	-	-
Tire Black 胎黑色	H 77 137	-	-	-	-
Interior Green 机体内部色	H 58 27	-	-	-	-



H AQUEOUS HOBBY COLOR

Mr. COLOR

涂装同标贴指示
Painting & Marking guide

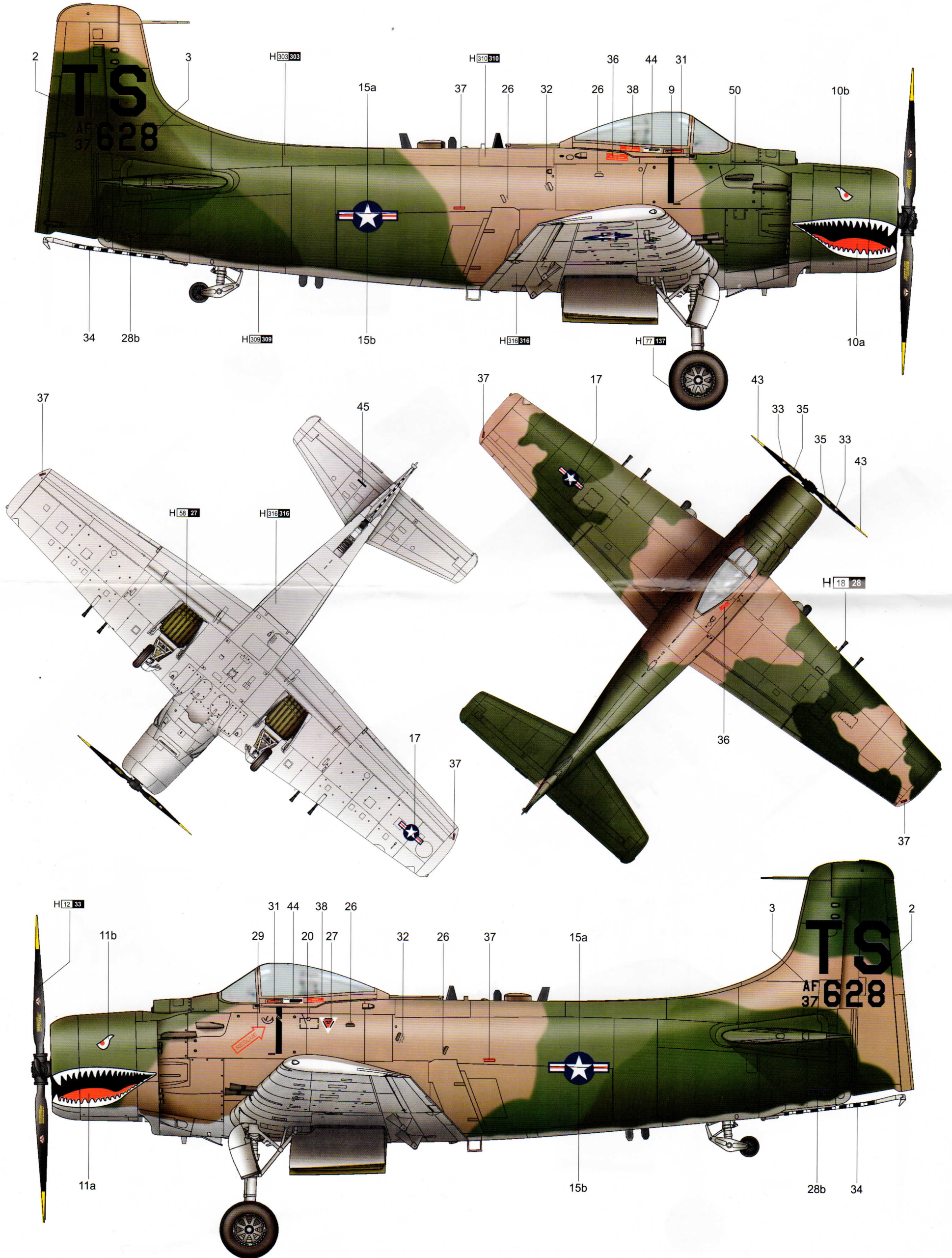
B US Air Force, 22nd Special Operation Squadron, 56th Special Operations Wing, A-1H, 628 TS(53-137628)

PAINT REFERENCE COLOUR

Color	Mr.Hobby	Vallejo	Model Master	Tamiya	Humbrol
Light Green 浅绿	H 303 303	-	1713	XF20	117
Forest Green 绿色	H 309 309	893	1710	XF58	116
Brown 棕色	H 310 310	874	1742	-	118
Steel(Metal Black) 黑铁色	H 18 28	864	1402	-	-

PAINT REFERENCE COLOUR

Color	Mr.Hobby	Vallejo	Model Master	Tamiya	Humbrol
Tire Black 胎黑色	H 77 137	-	-	-	-
Interior Green 机体内部色	H 58 27	-	-	-	-
White Insignia 白色	H 316 316	991	1745	X2	22
Burned Iron 烧铁色	H 76 61	863	1795	X10	53

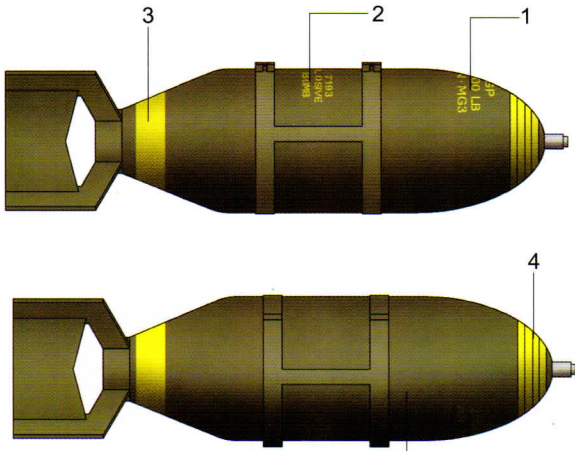


H [X] AQUEOUS HOBBY COLOR [X] Mr. COLOR

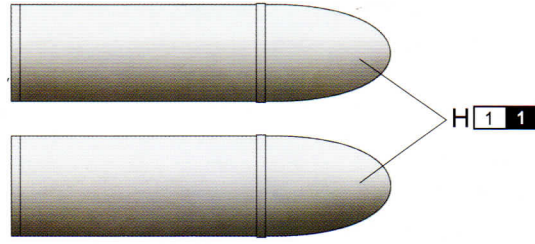
涂装同标贴指示
Painting & Marking guide

PAINT REFERENCE COLOUR					
Color	Mr.Hobby	Vallejo	Model Master	Tamiya	Humbrol
白色 White	H 1 1	842	1745	X2	22
橄榄(2) Olive Drab(2)	H 78 38	950	-	-	-

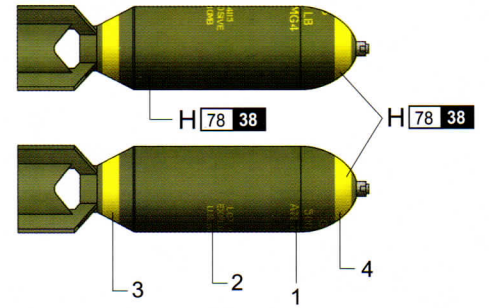
AN-M66/2000 Pound bomb X4



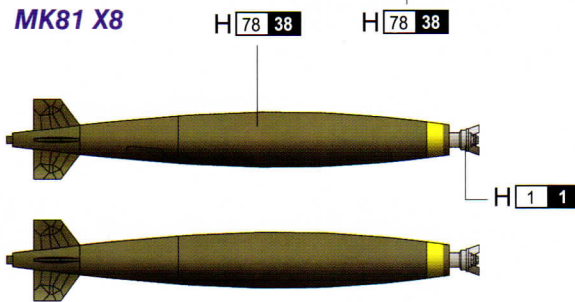
LAU-3 Rocket pod X4



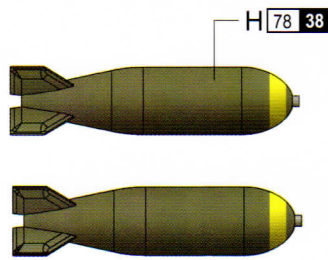
AN-M64/500 Pound bomb X4



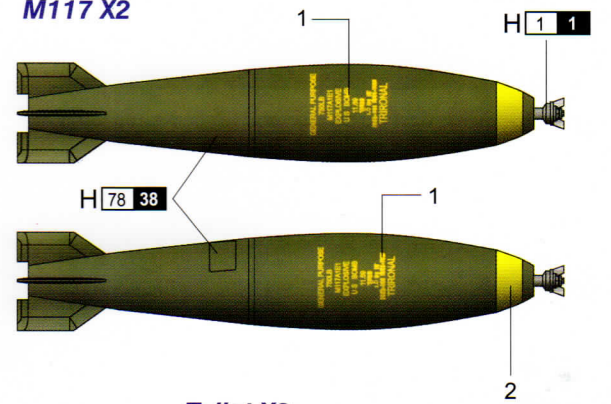
MK81 X8



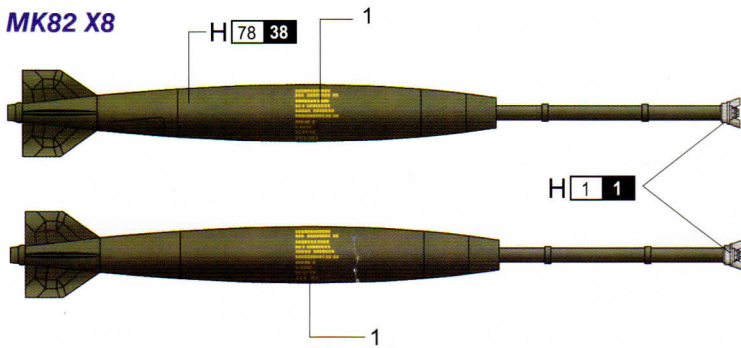
Bomb X8



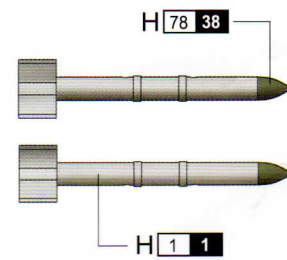
M117 X2



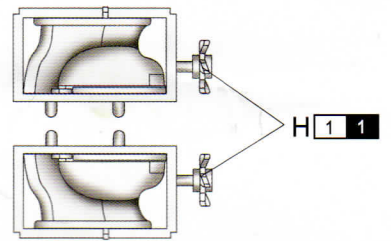
MK82 X8



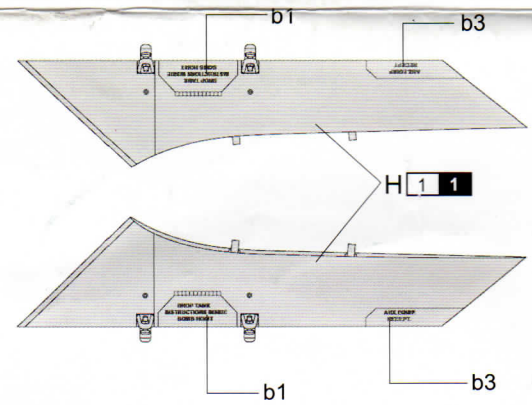
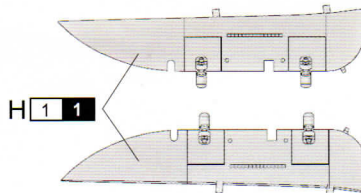
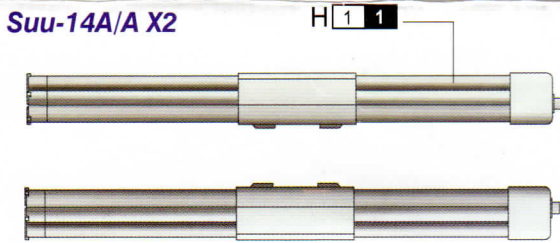
5-Inch rocket X16



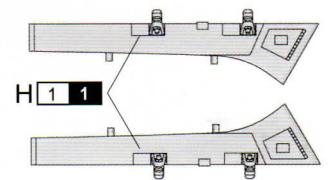
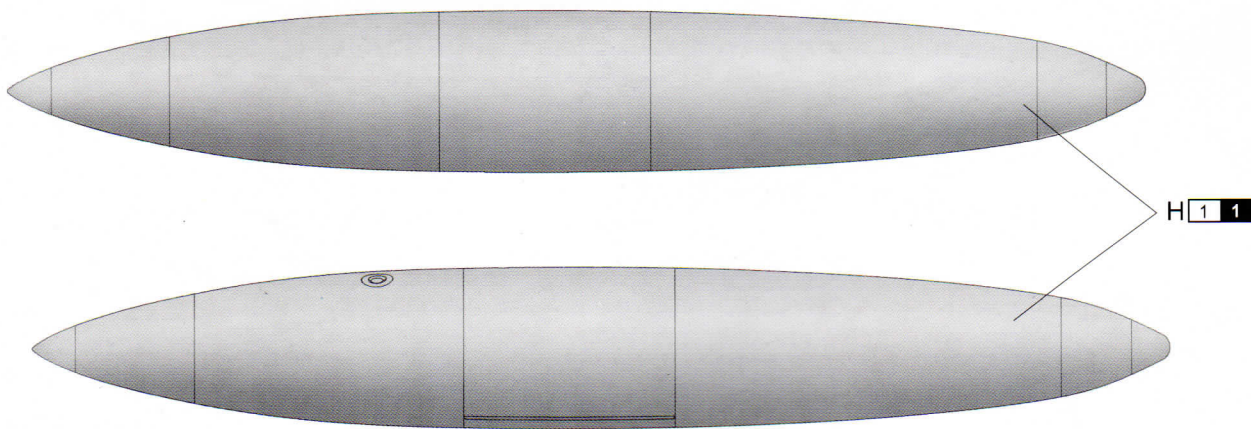
Toilet X2



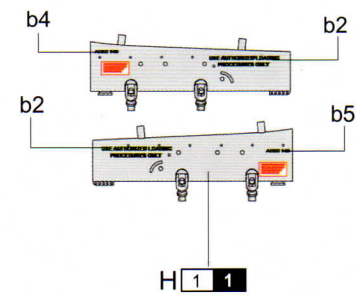
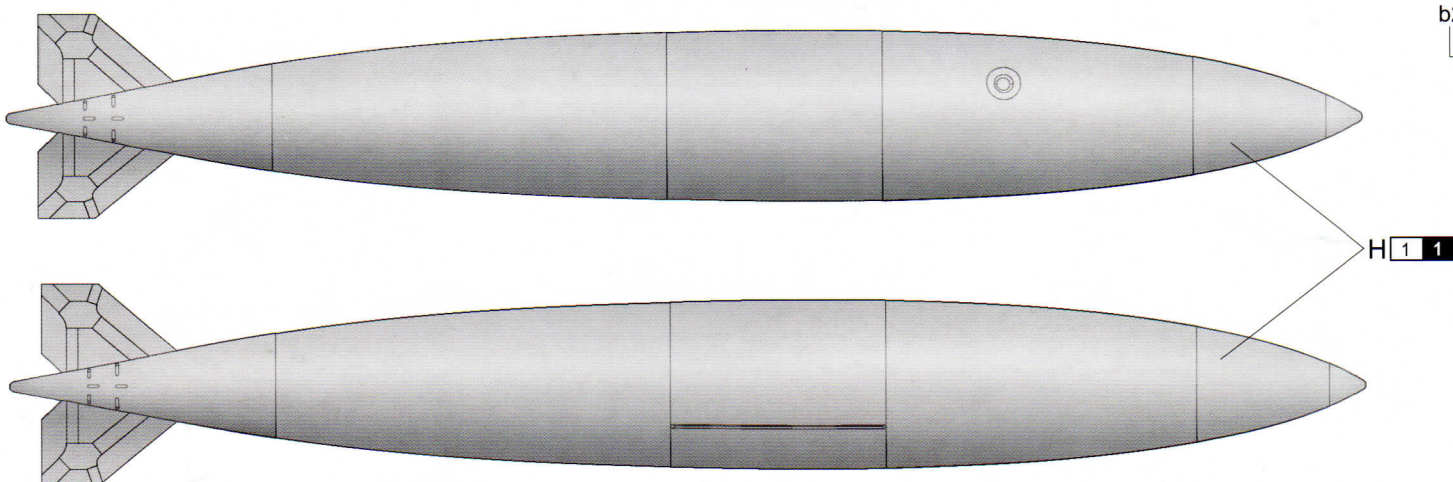
Suu-14A/A X2



Center line fuel tank X1



Side fuel tank X2



H X AQUEOUS HOBBY COLOR

X Mr. COLOR