

Russian T-90 MBT

俄罗斯T-90A主战坦克

1/35 SCALE

READ BEFORE ASSEMBLY:

- Study and understand these instructions thoroughly before beginning assembly
- When needed, remove photo-etch parts carefully using a modeling knife or photo etch sprue cutter, being careful not to damage or lose small parts.
- Take extra care in handling photo etch parts in order to avoid injury
- Apply instant cement sparingly to photo etch parts where instructed
- Tools recommended(not included in kit):Plastic and instant cements, sprue cutters,long nose pliers,modeling knife, small files, tweezers, pin vise & scissors. Soft cloth and sandpaper will also assist in construction
- Glue and paint are not included in the kit. Use plastic cement and hobby paints only. Color guide for purchasing paint is included in the kit.

装配之前仔细阅读

- 小心用模型锉刀锉平所有零件表面的注射浇口。
- 小心用刀片切下蚀刻片零件，不要遗失小零件。
- 用强力快干胶水粘合蚀刻片零件和金属轴。过量快干胶水使用可能导致可动零件会粘住，小心涂胶。
- 取蚀刻片时应特别注意安全，防止利边划伤手指。
- 某些零件表面需贴上水贴纸，请选择在装配的同时进行。
- 推荐模型工具(自备)：胶水，水口剪刀，长咀钳，刀片，锉刀，镊子，钳，钻，剪刀，瞬间快干胶。
- 软布同砂纸同时也应该是必备工具。
- 请使用塑料胶水和油漆，模型内不含。



配重
Weight



使用强力胶
Cyanoacrylate glue



钻孔
Make hole



切除
Cut / Remove



贴纸
Decal



锉平
File / Sand



选择
Option



不涂胶水
No cement



弯曲
Bend

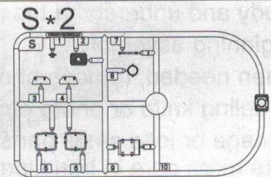
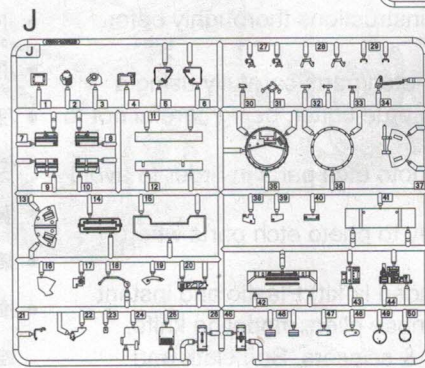
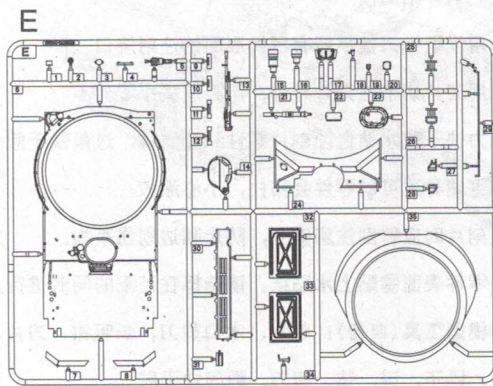
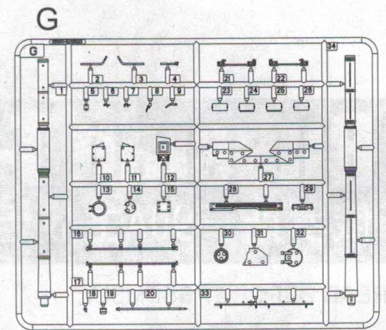
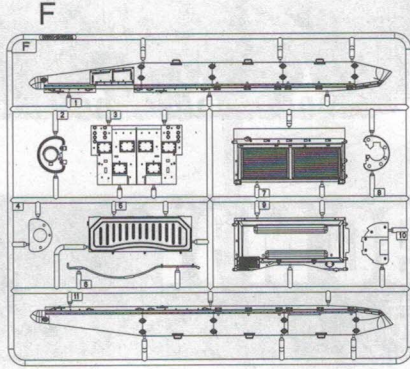
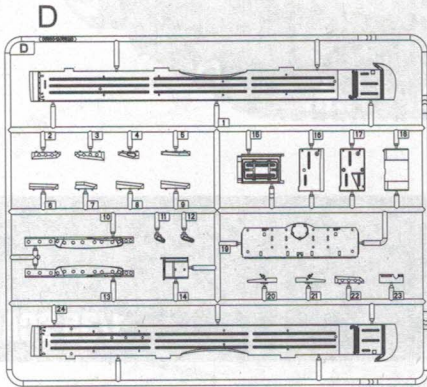
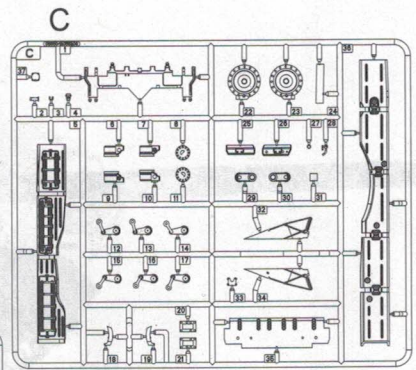
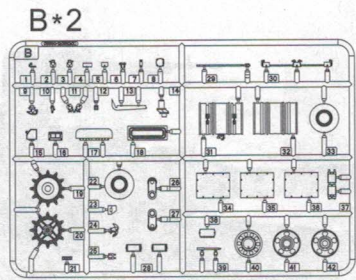
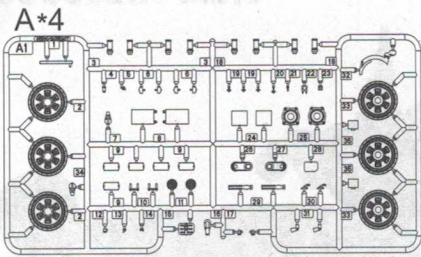
水贴纸的使用:

- 1.从水贴上剪下印花;
- 2.将印花放入温水中浸10秒, 然后放在干净布上。
- 3.拿着印花纸板将印花移到模型上;
- 4.手指蘸水将印花移到适当的位置;
- 5.用软布轻压印花直至水干, 气泡消失

DECAL APPLICATION

- 1.Cut decals from sheet as needed
- 2.Dip the decal in warm water for about 10 seconds and then place on soft clean cloth.
- 3.Hold the decal backing sheet edge and gently slide the decal onto the model in its proper position.
- 4.While still wet,decal can be adjusted for better fit on model by dampening it gently with your finger.
- 5.When placed in the proper position,gently press decal down with a soft cloth until excess water and air bubbles are gone.
- 6.Allow decal to dry completely before handling model

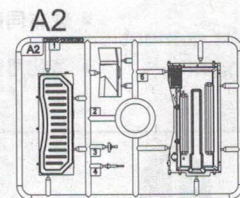
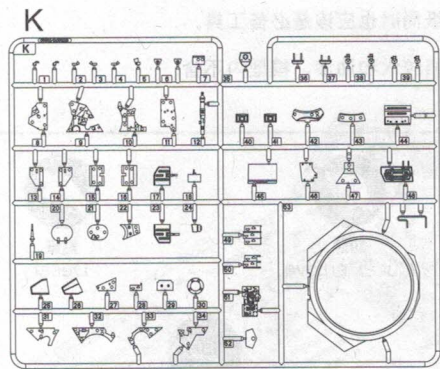
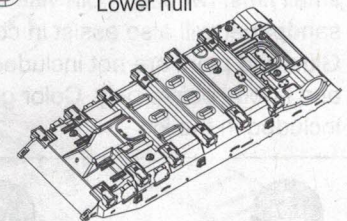
部品图 Parts



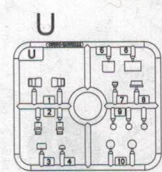
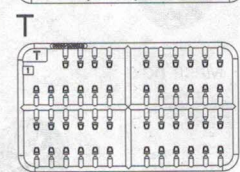
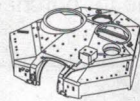
《轮塞》
Poly cap



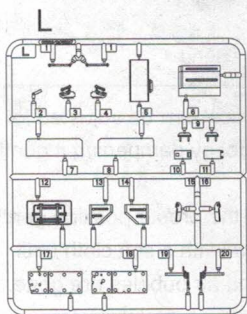
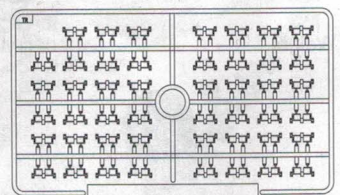
《车底》
Lower hull



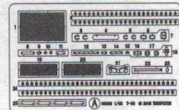
《炮塔》
Lower hull



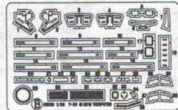
TR*4



《蚀刻片A》*2
PE-A*2



《蚀刻片B》
PE-B



《铜丝》 $\varnothing 0.6 \times 250\text{mm}$
Copper wire



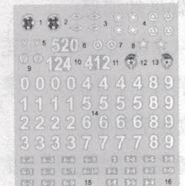
《软管》 $\varnothing 1.2 \times 250\text{mm}$
Vinyl tubing



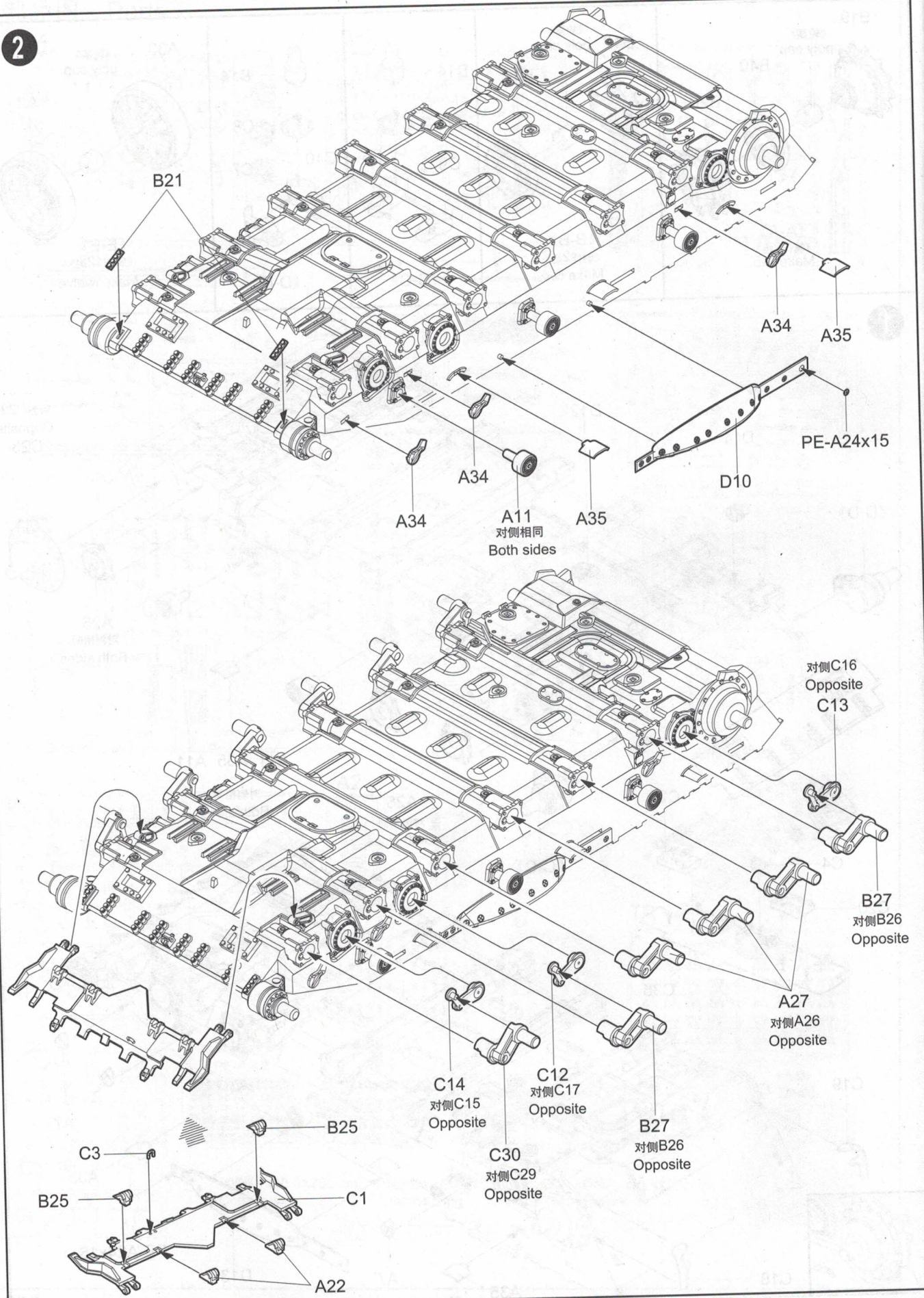
《铜线》 $\varnothing 0.8 \times 250\text{mm}$
Brass wire



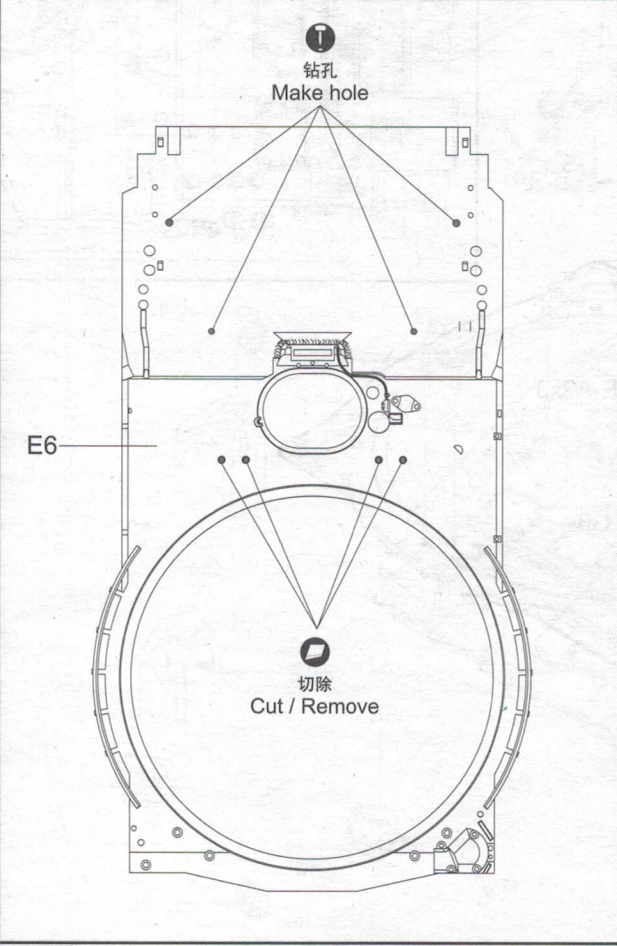
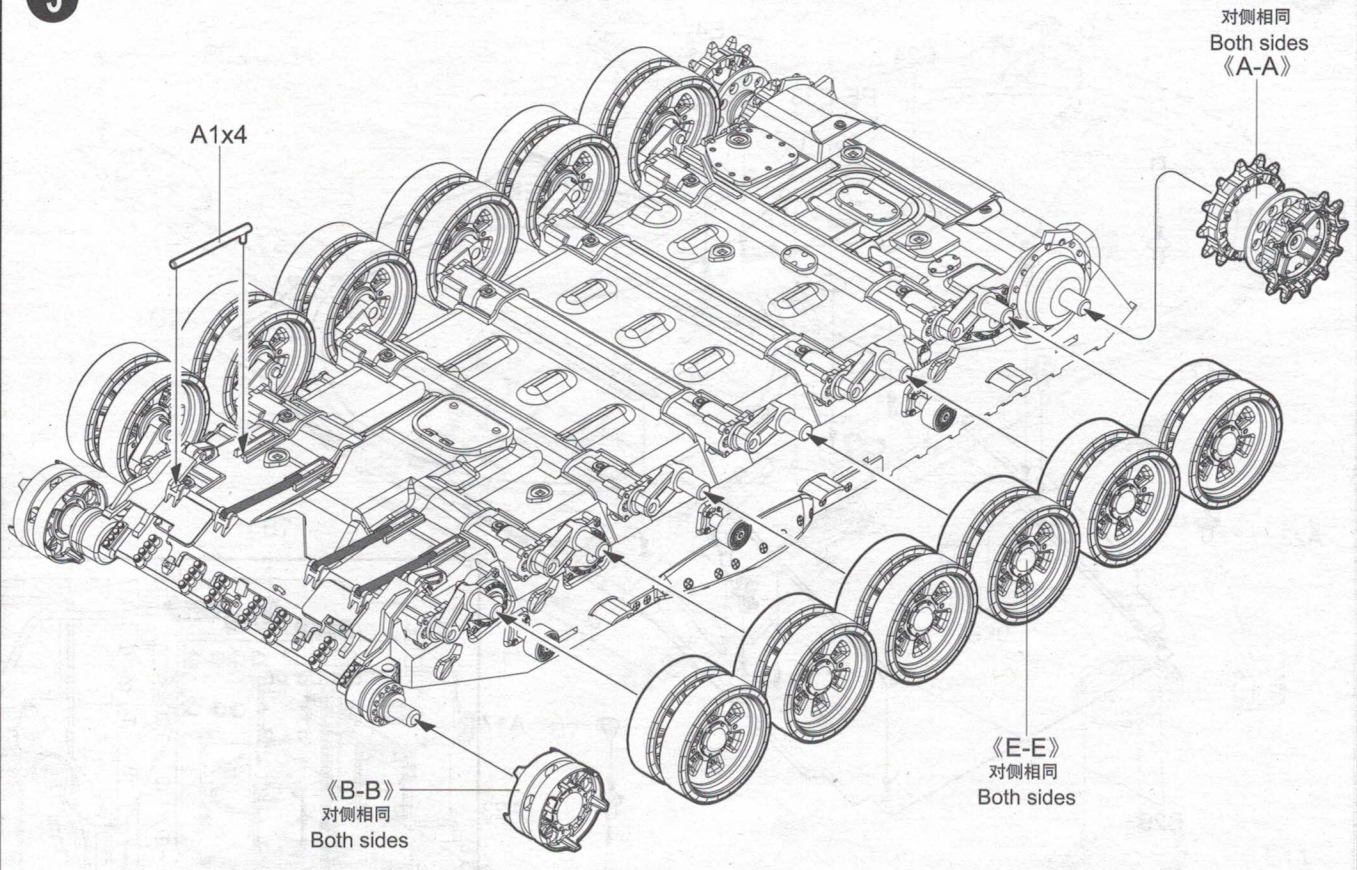
《水贴》
Decal



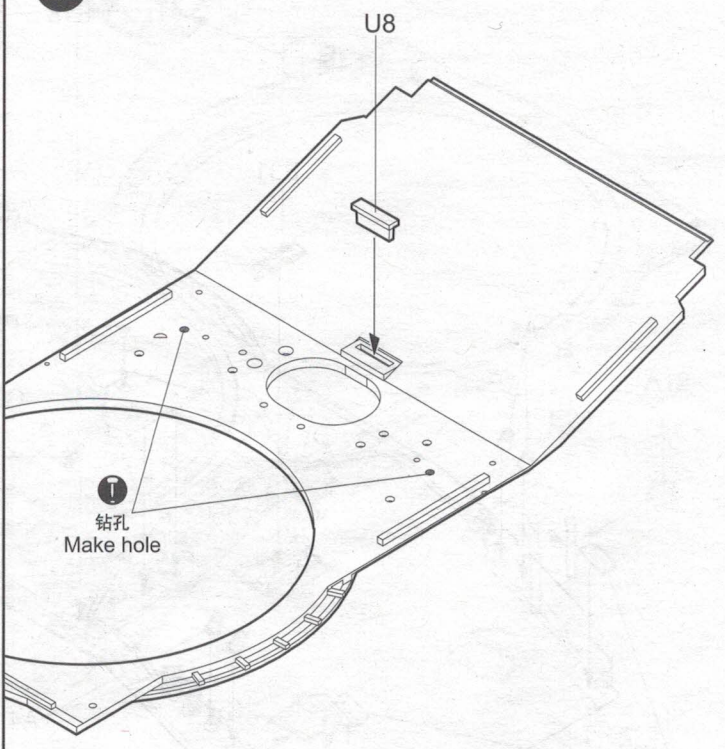
2



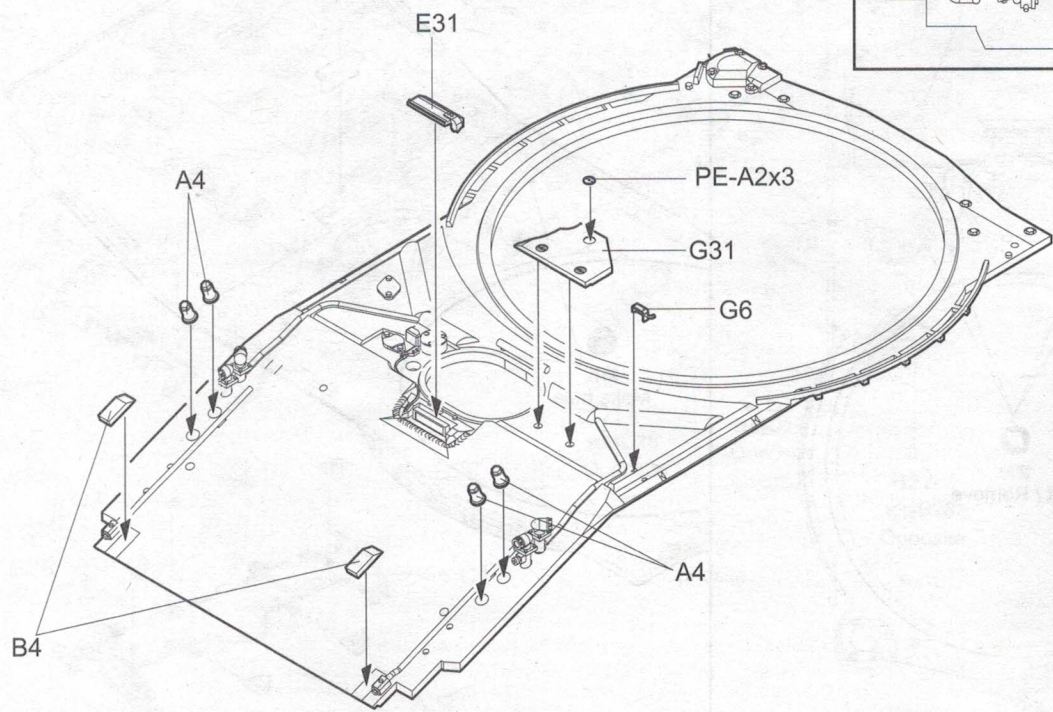
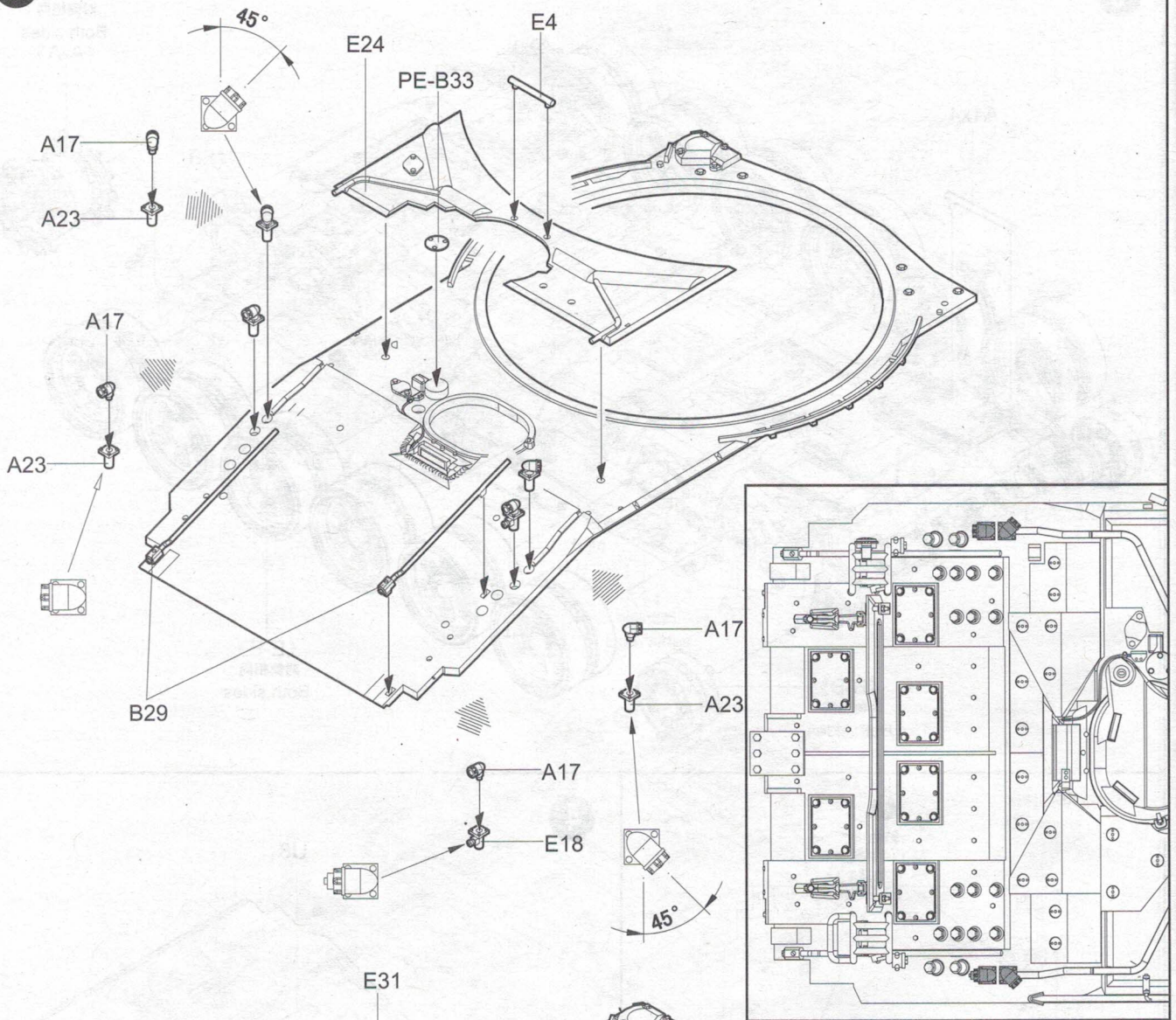
3



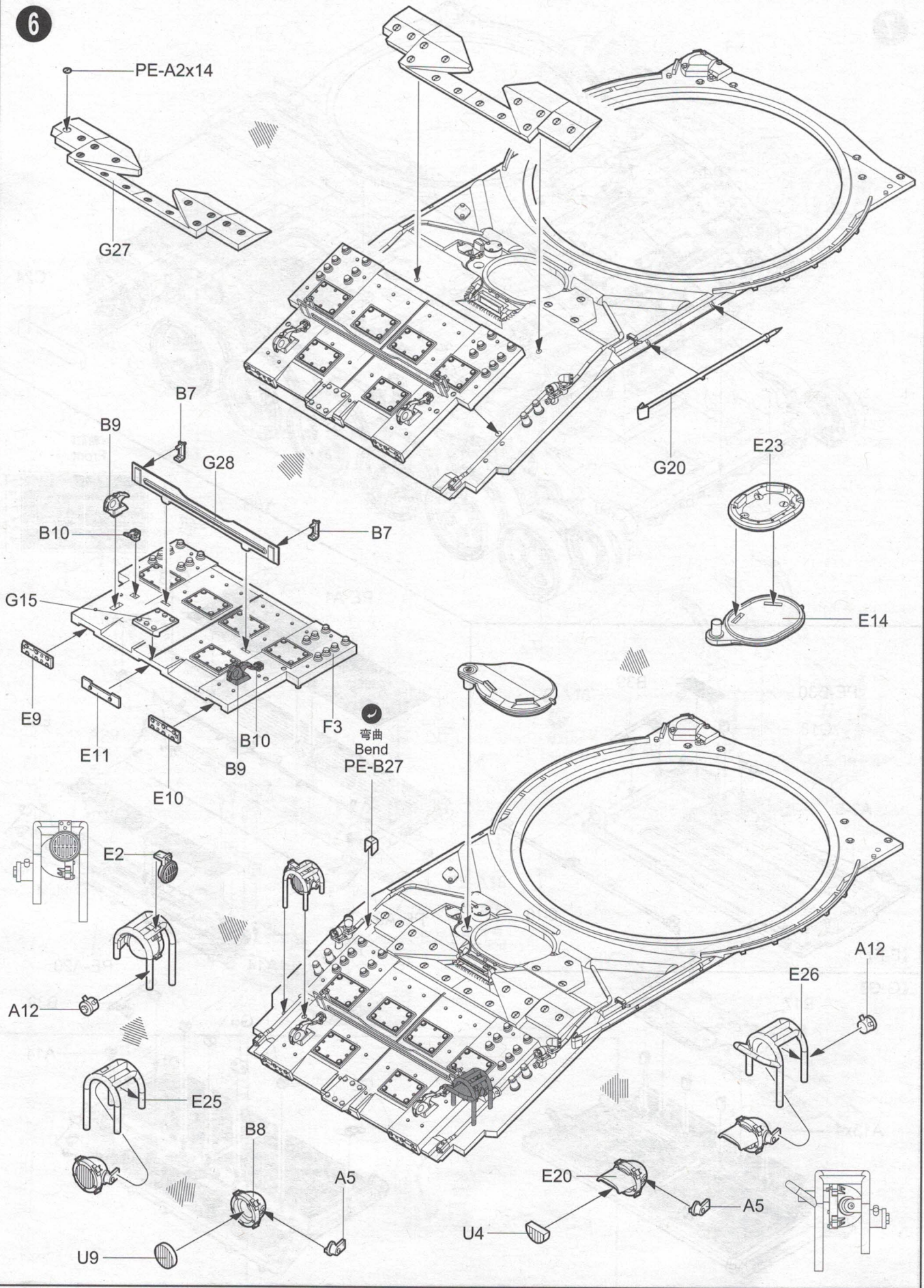
4



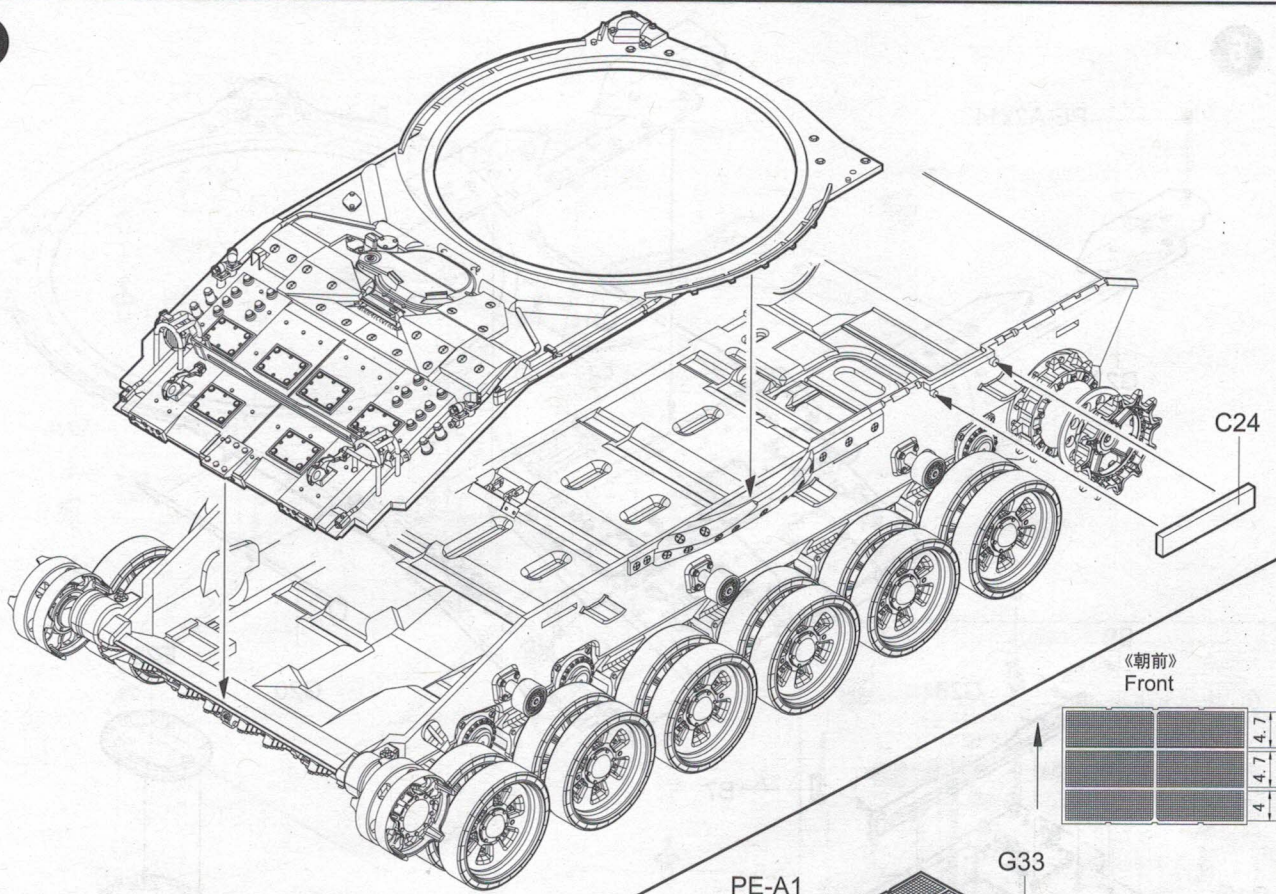
5



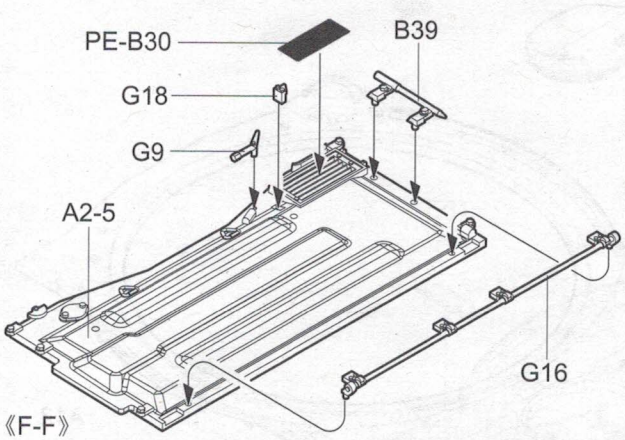
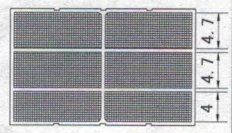
6



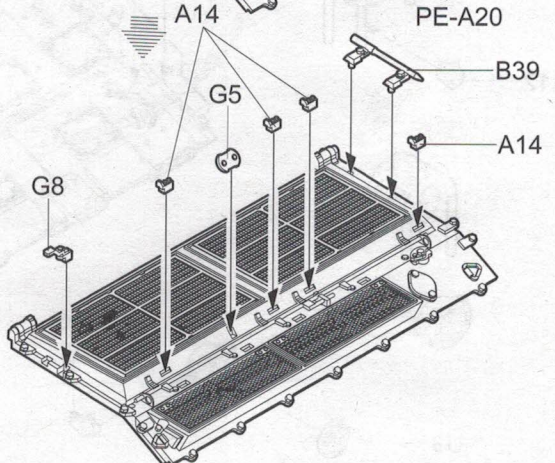
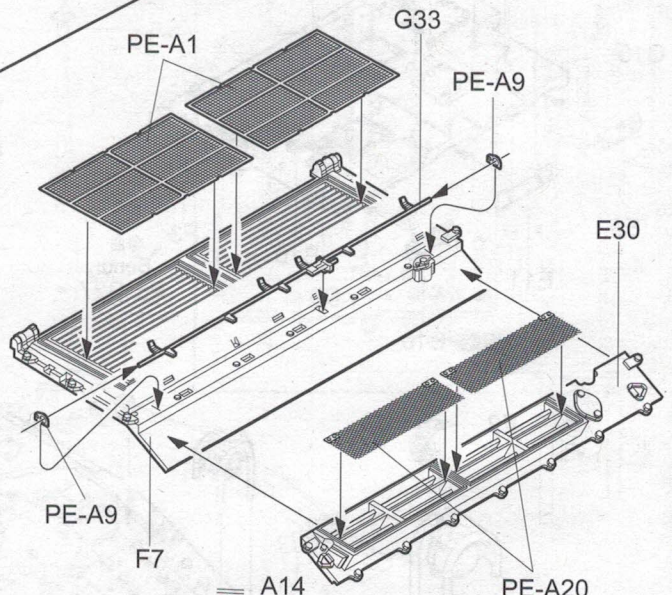
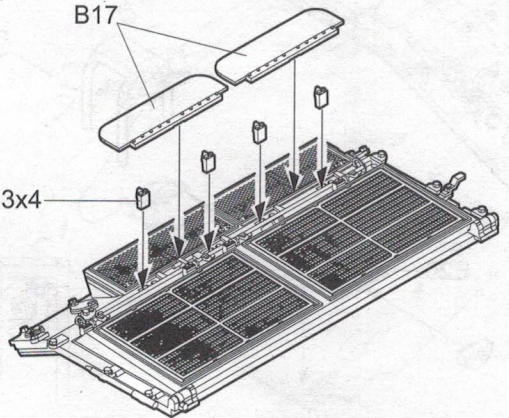
7

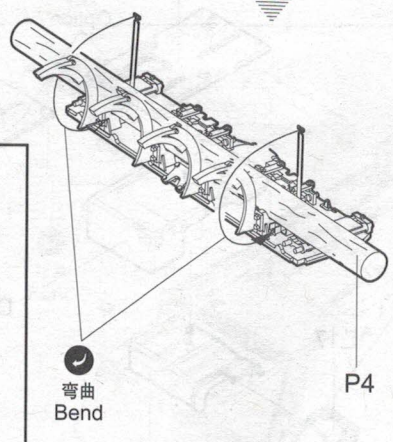
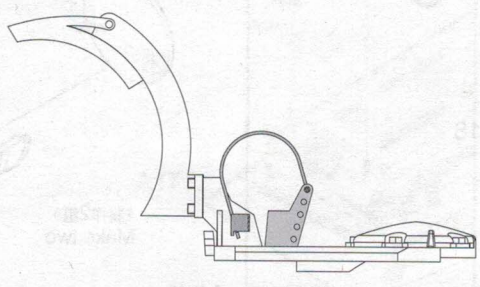
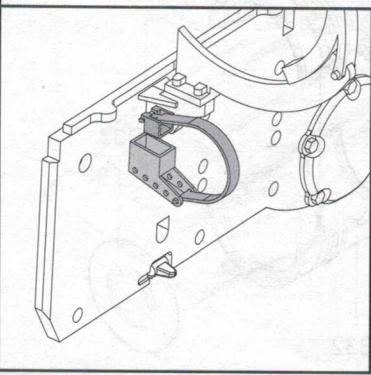
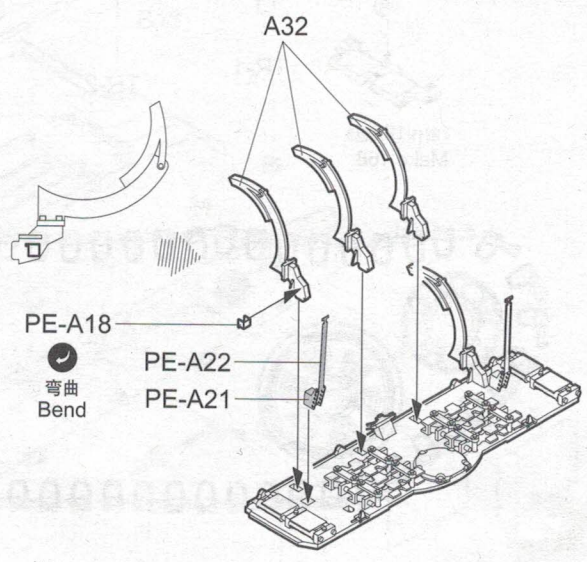
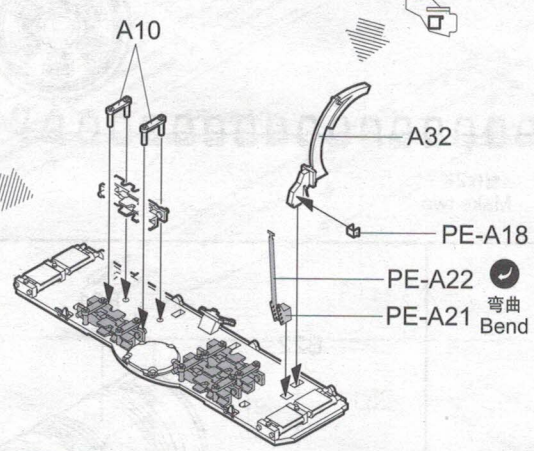
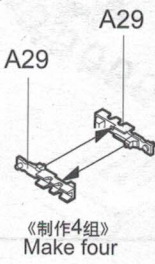
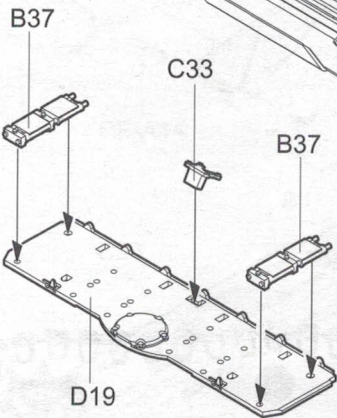
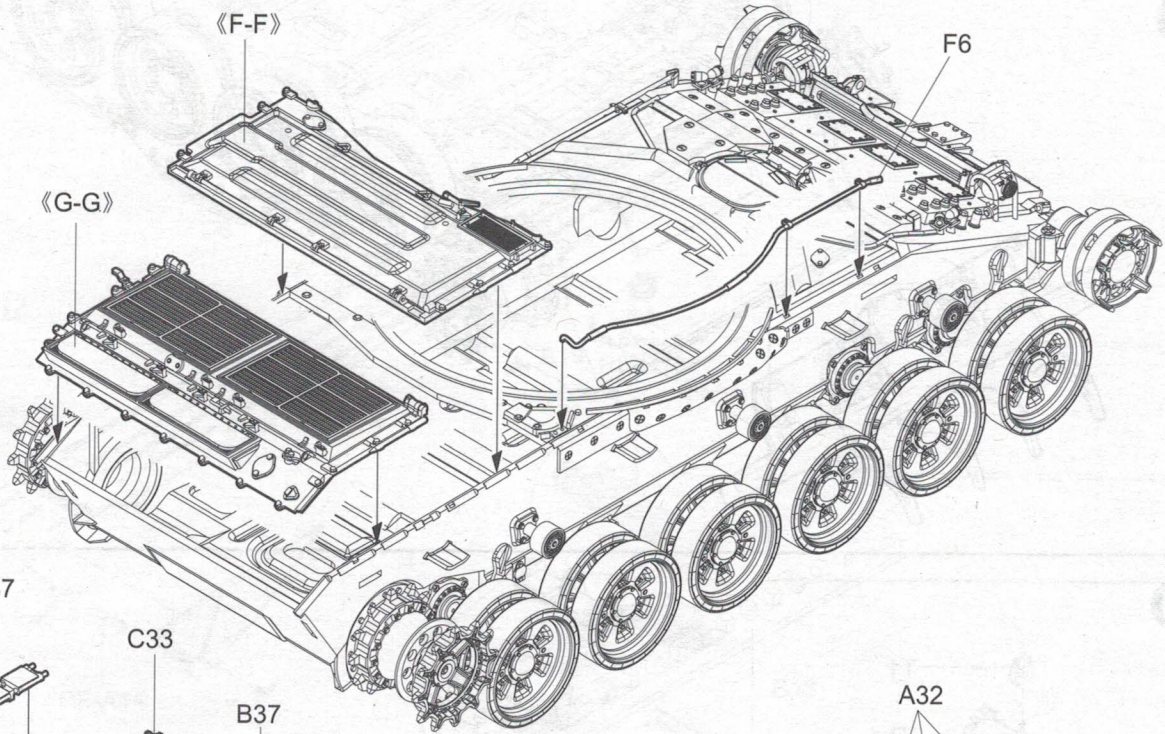


《朝前》
Front

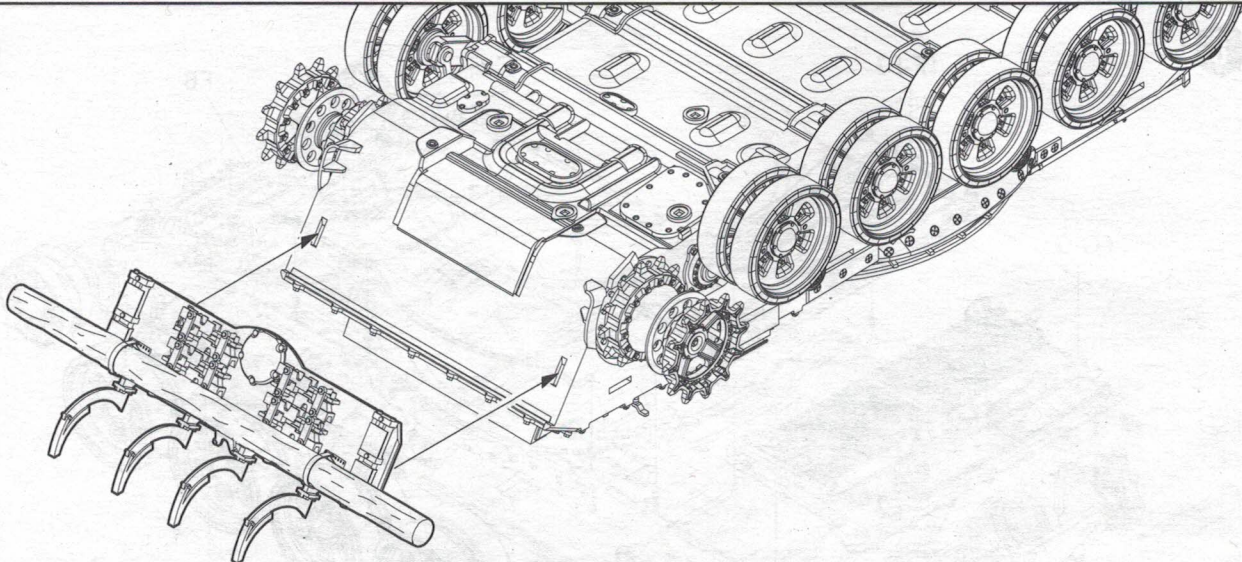


《G-G》

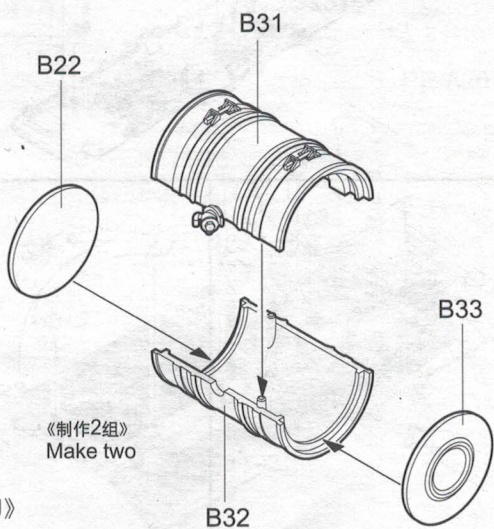
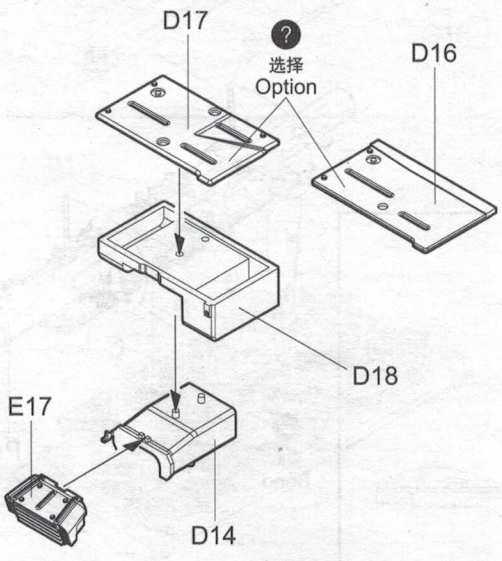
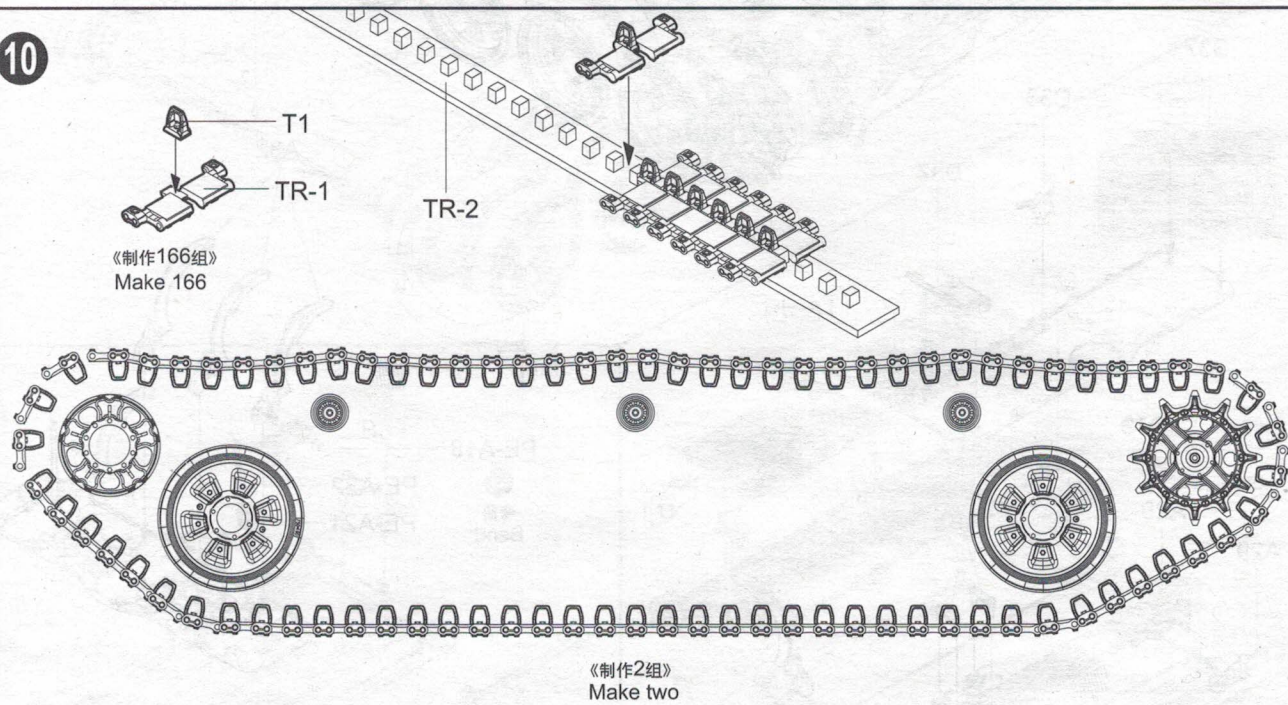




9



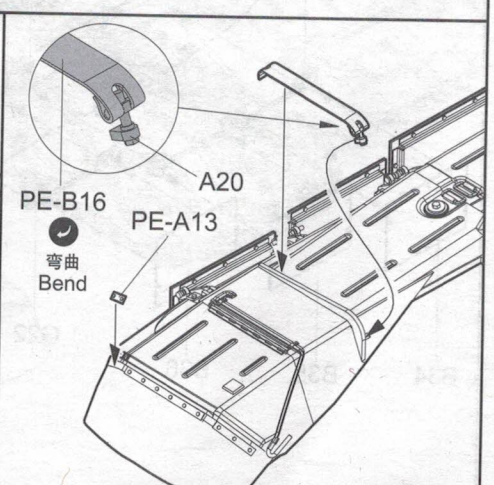
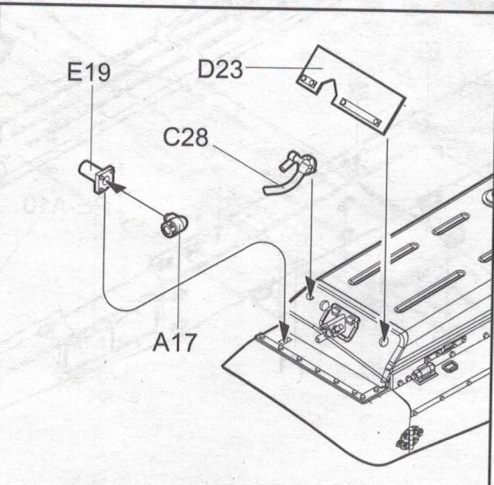
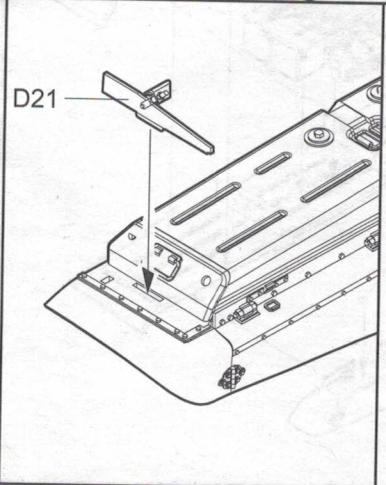
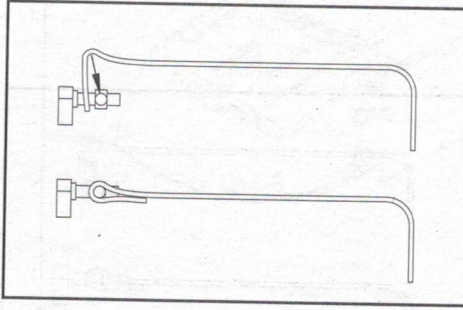
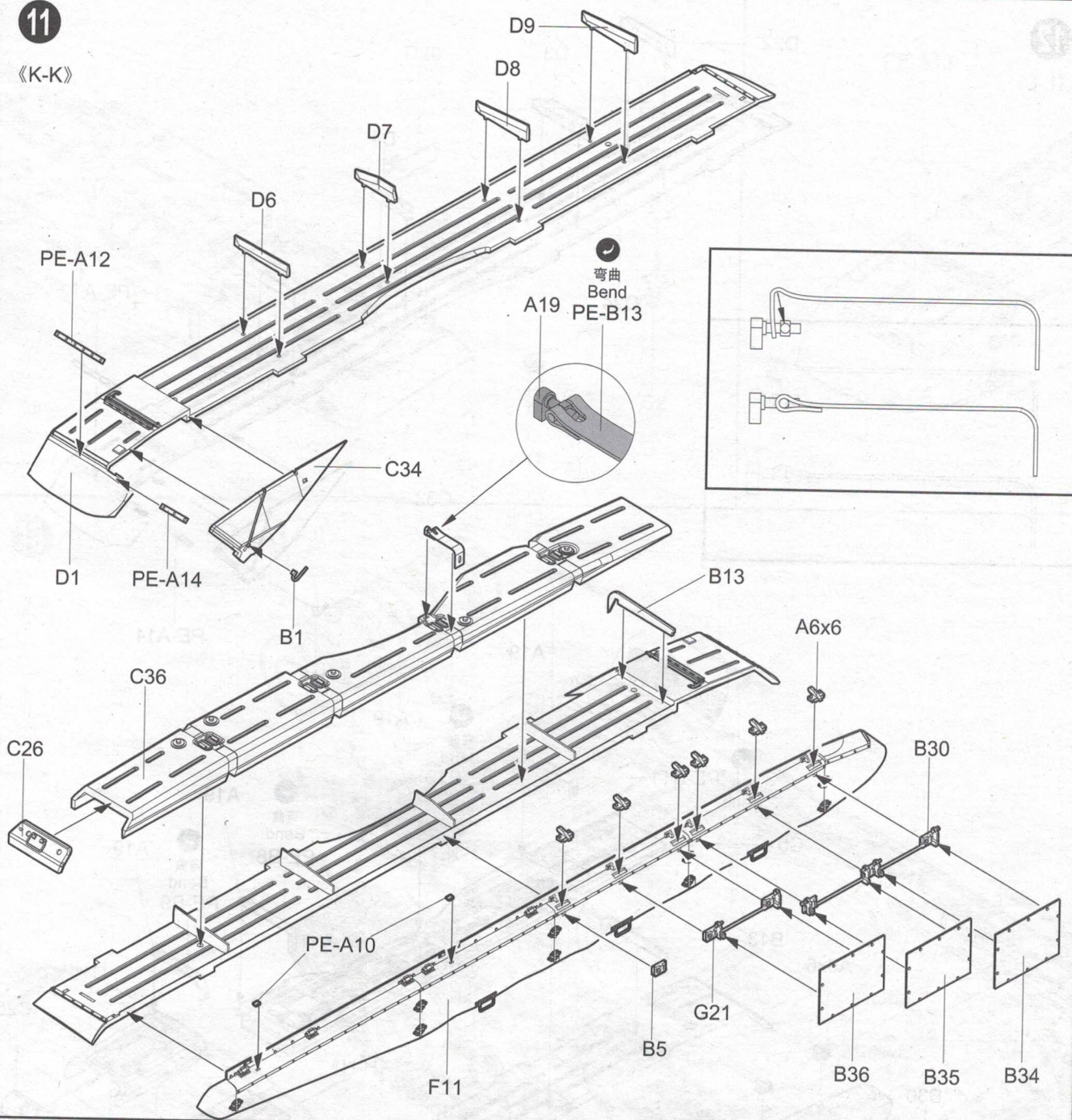
10

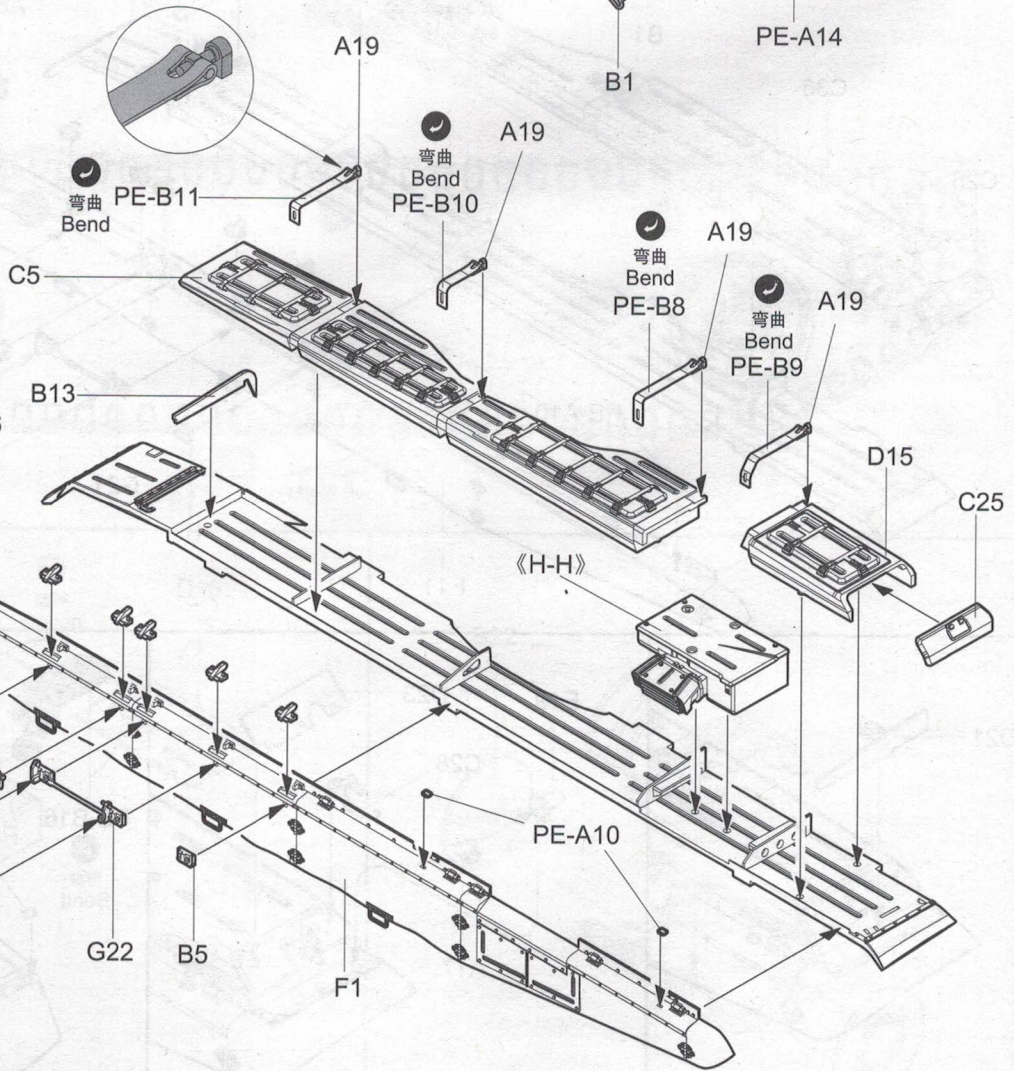
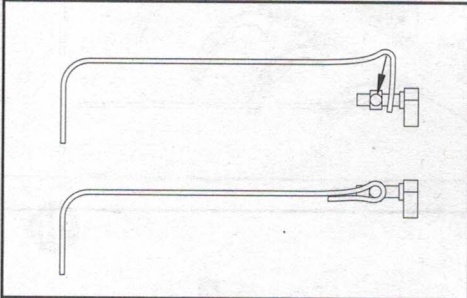
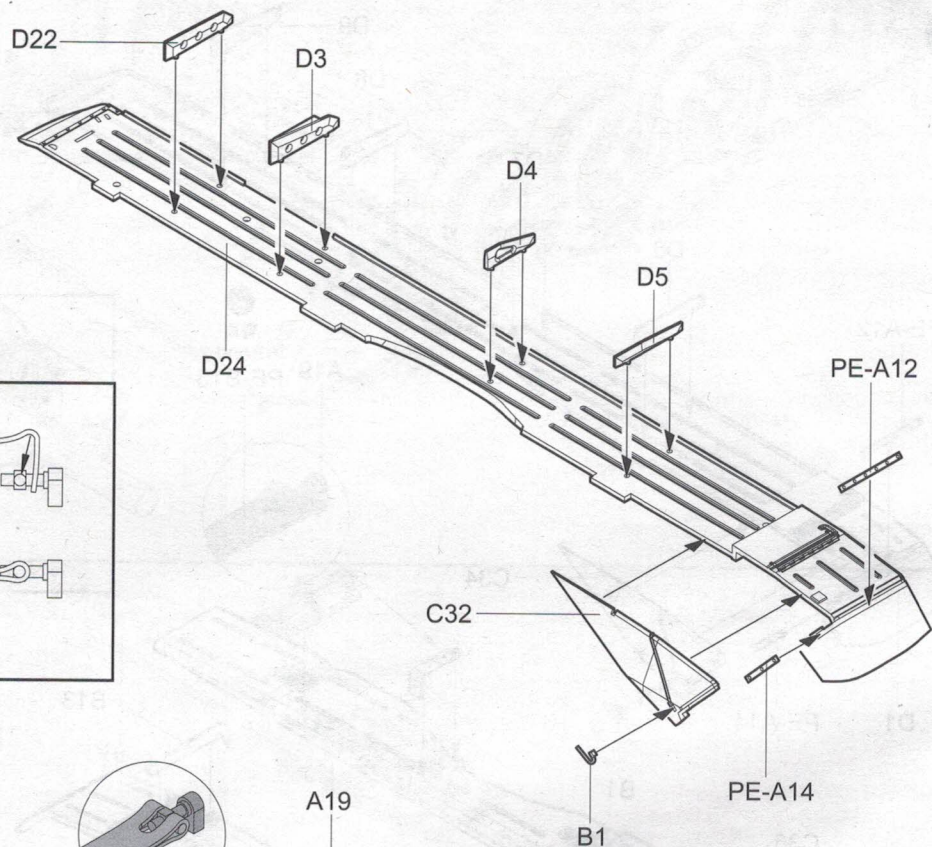


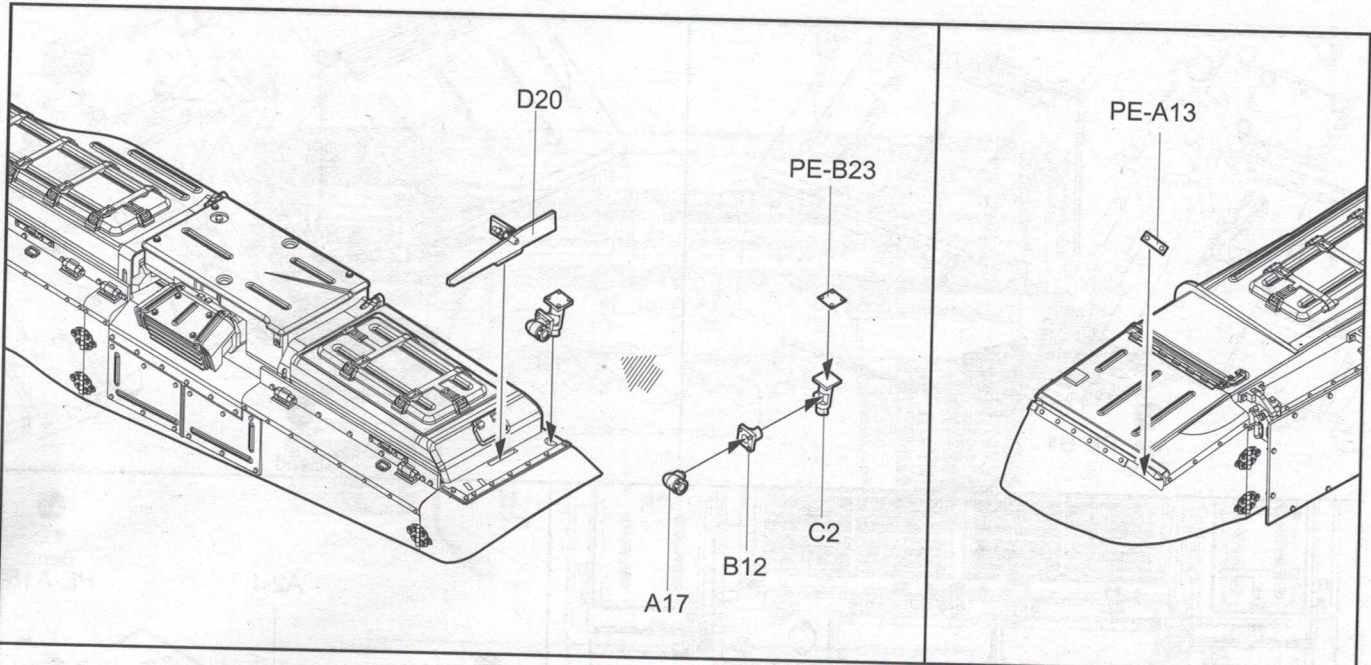
05562

10

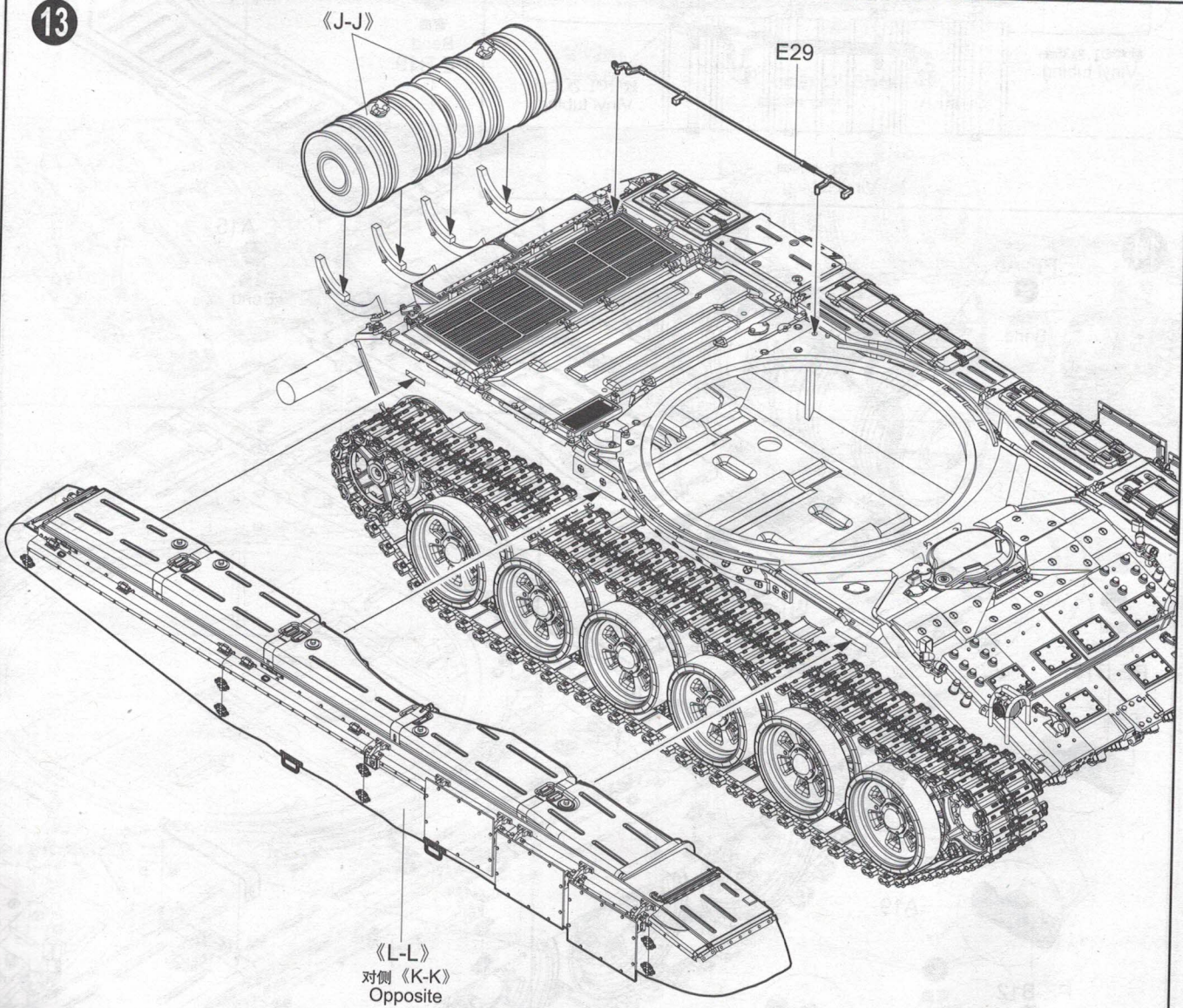
05562

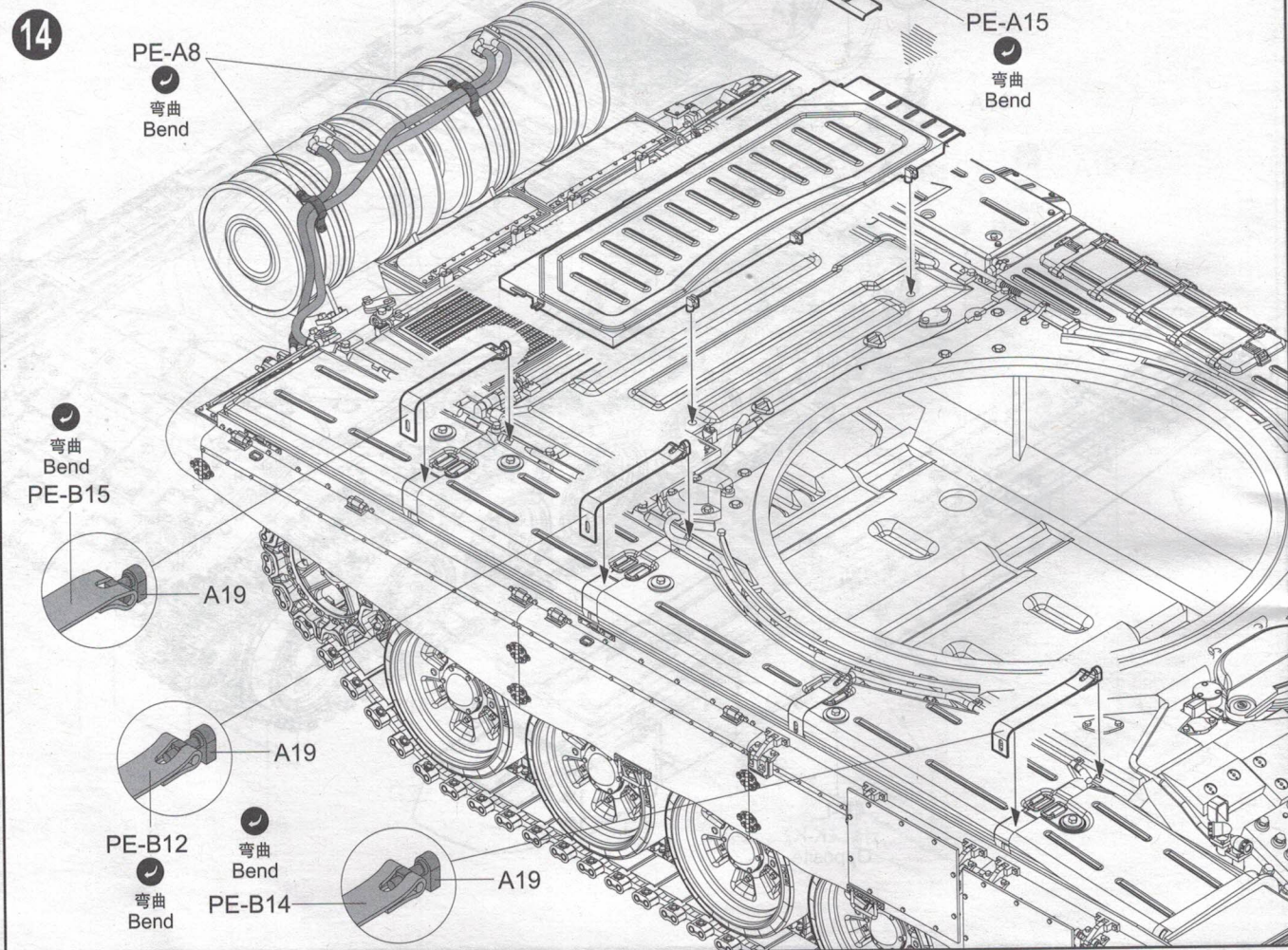
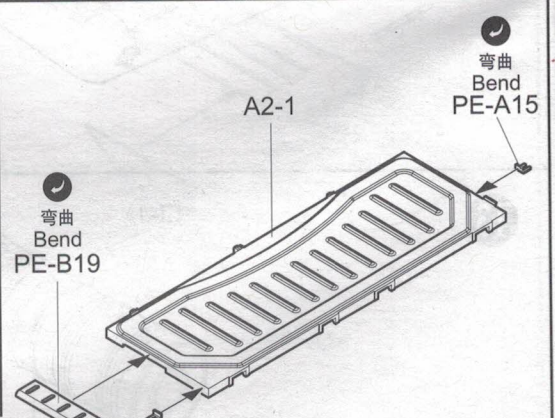
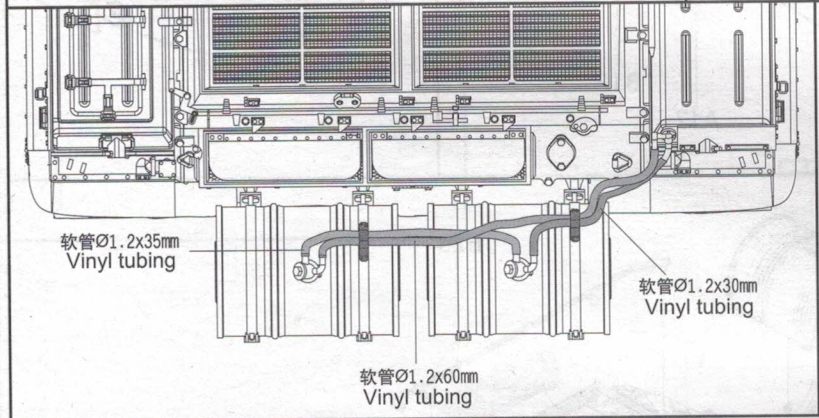
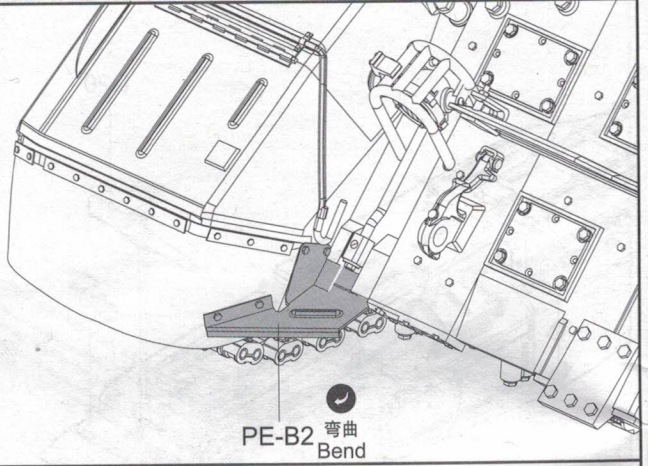
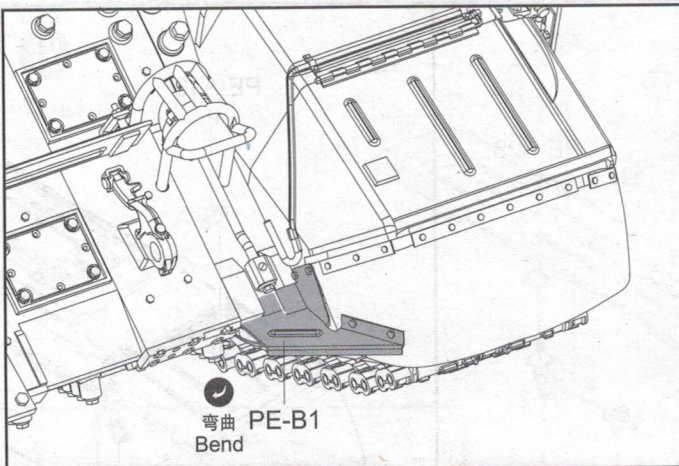




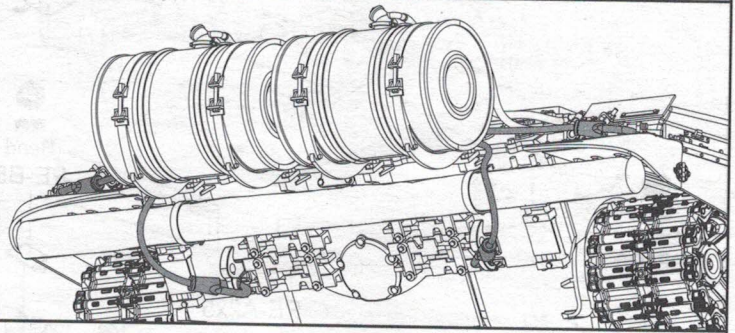
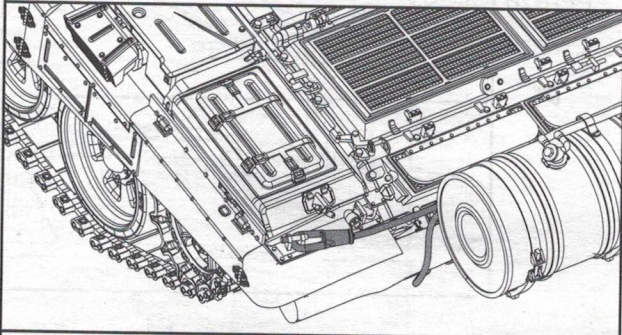
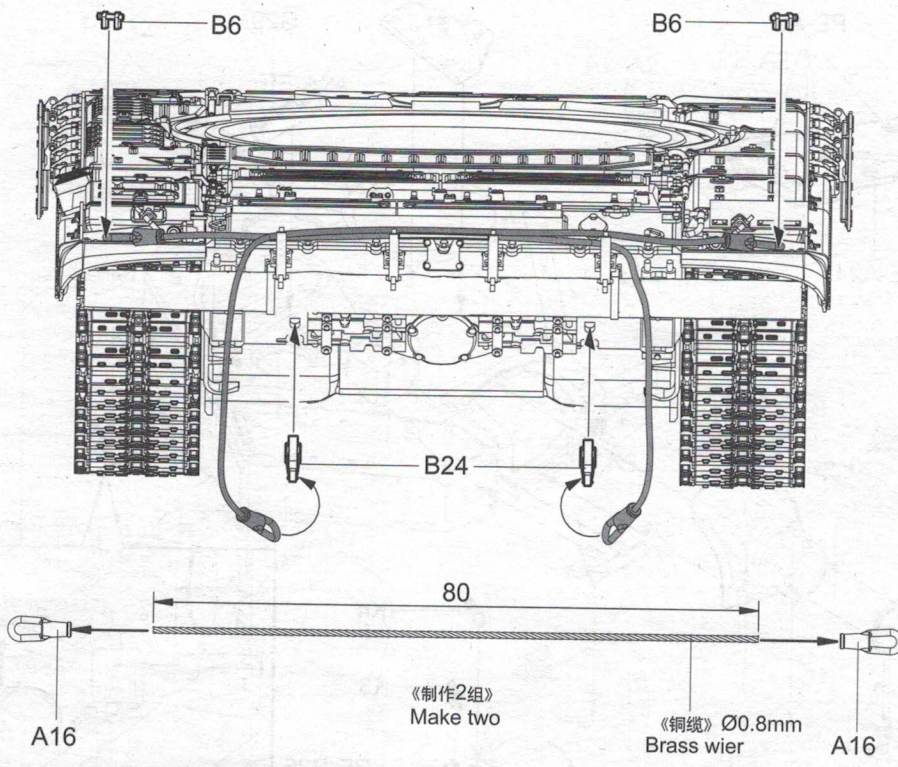


13

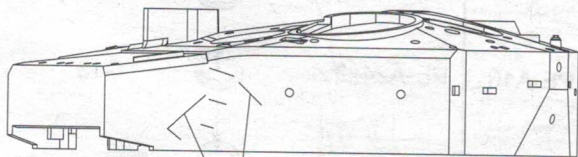




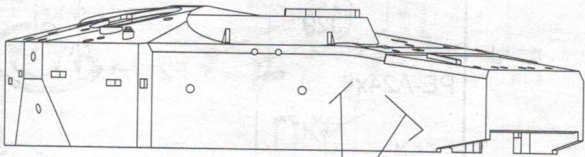
15



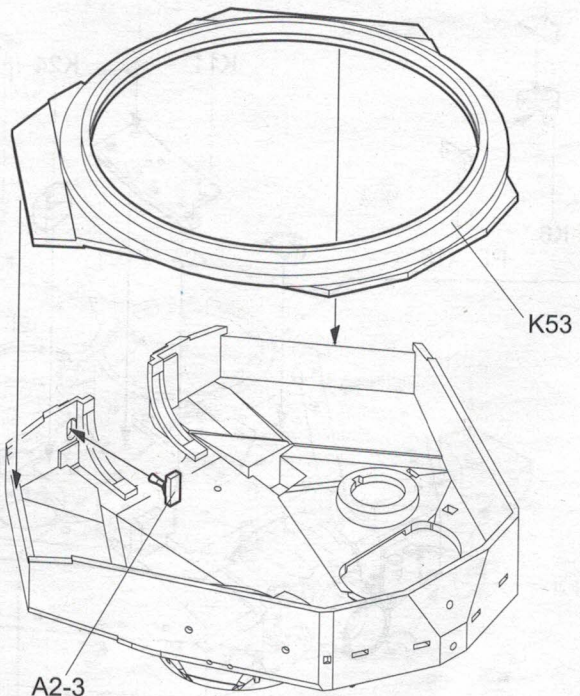
16



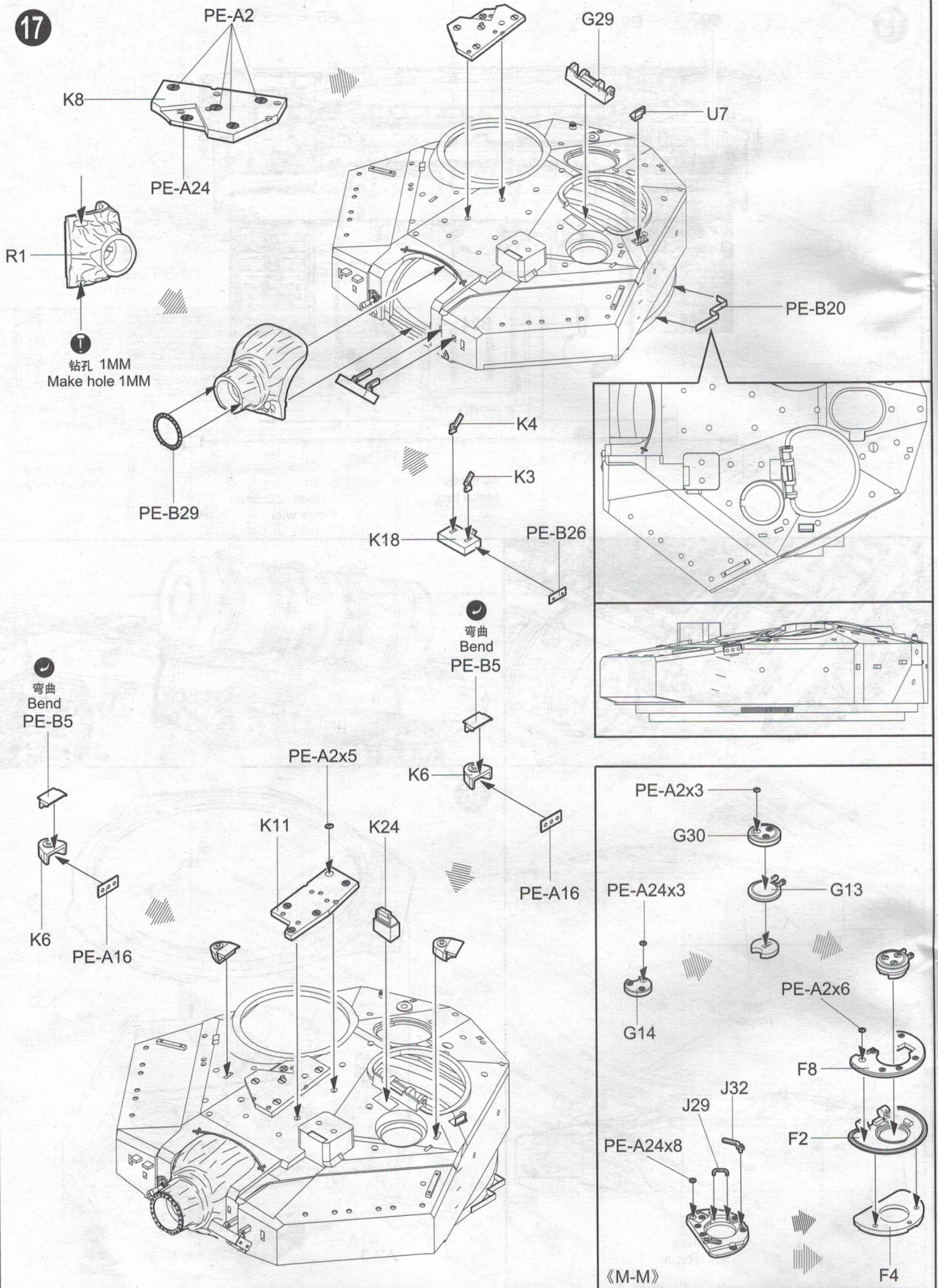
填补
Repair

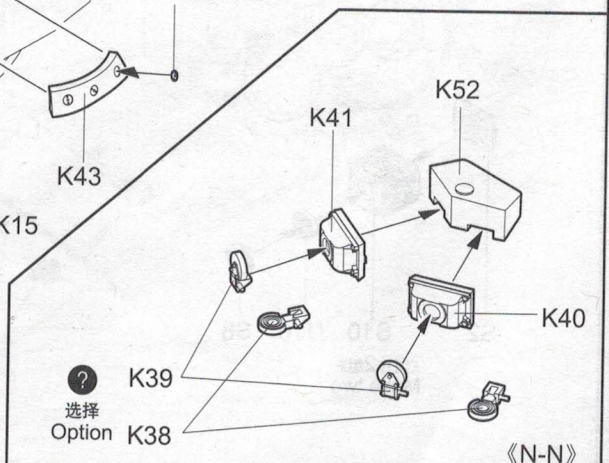
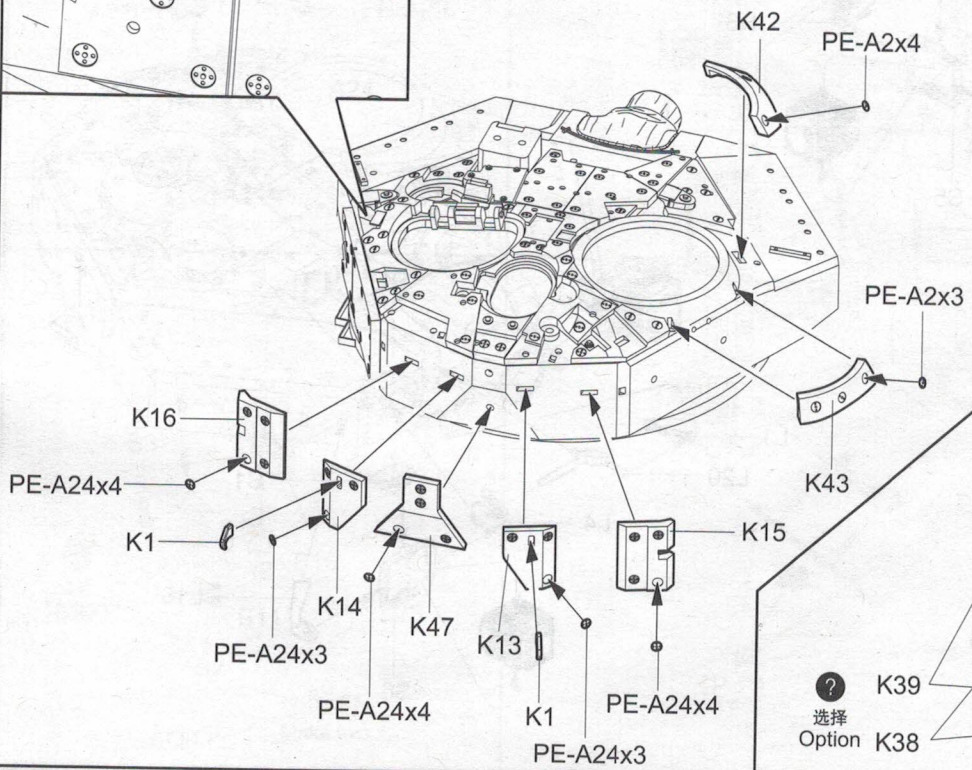
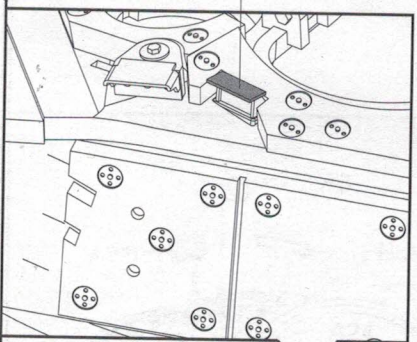
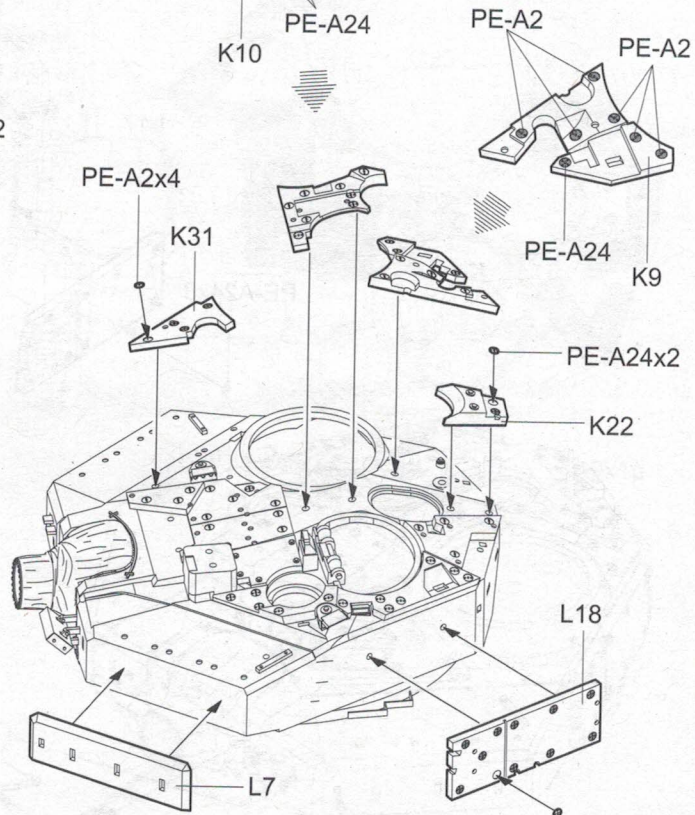
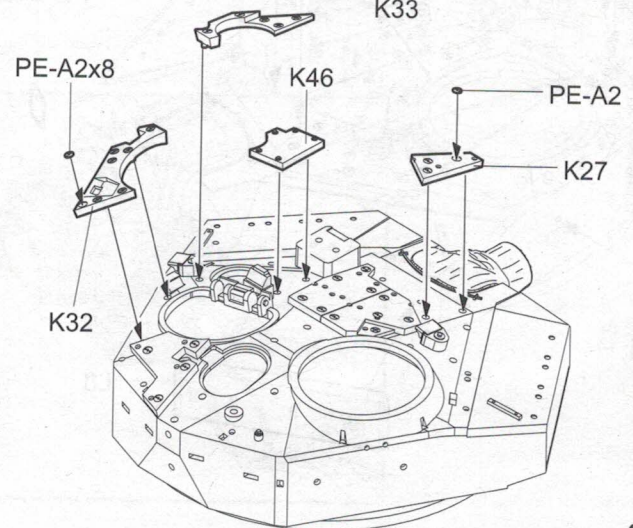
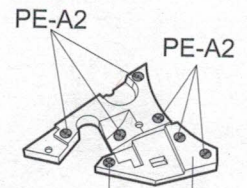
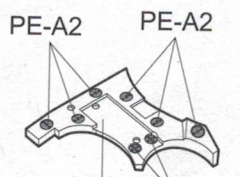
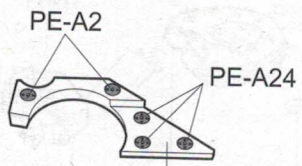


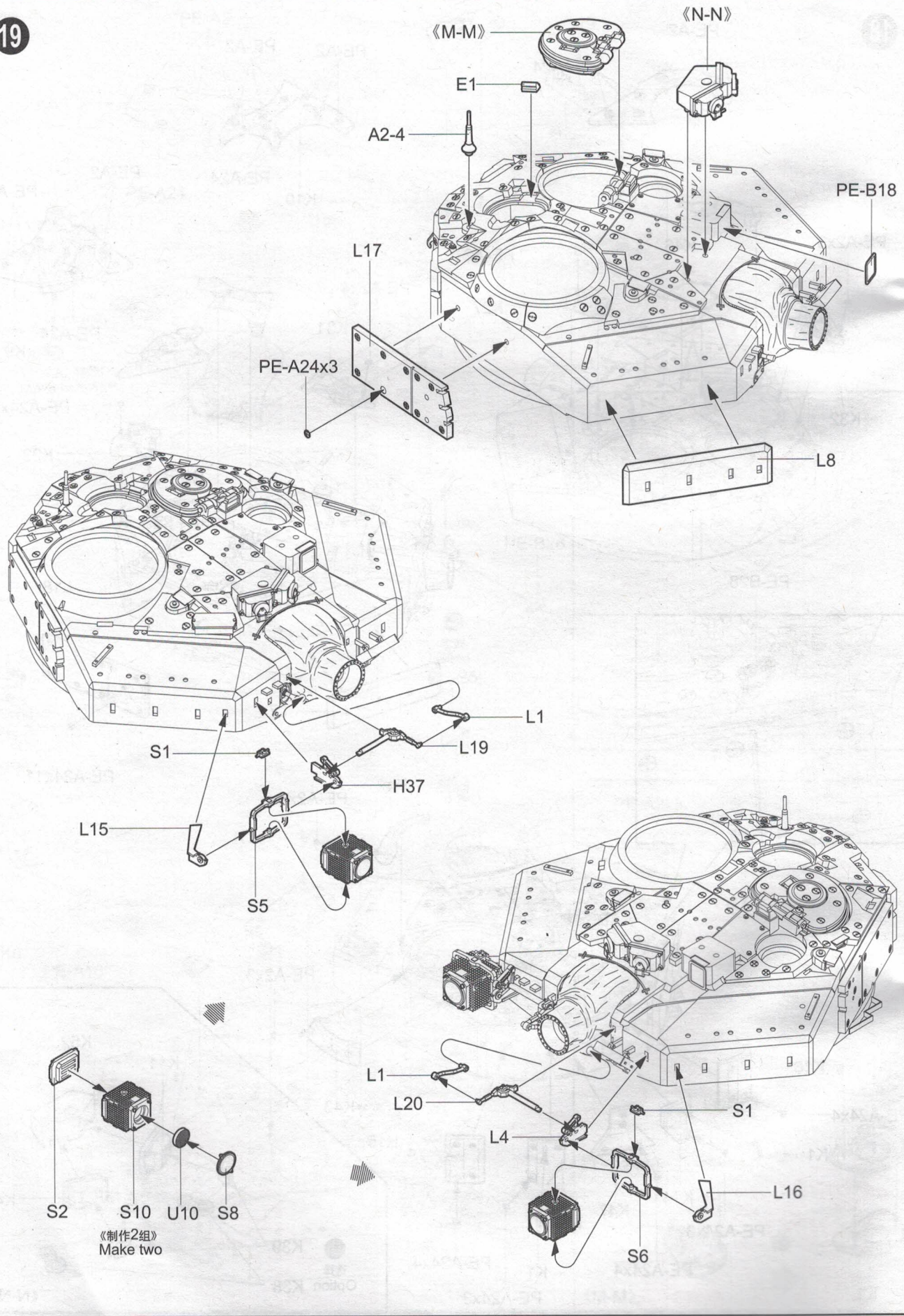
填补
Repair



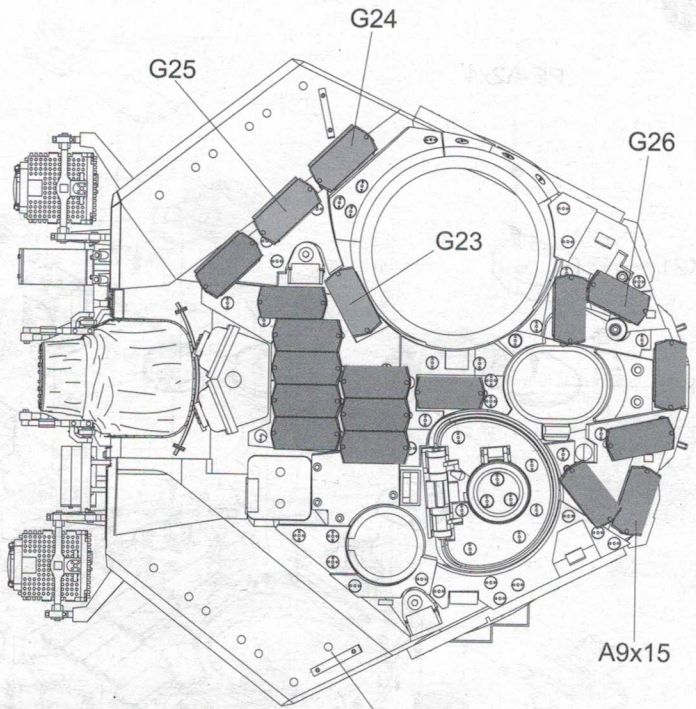
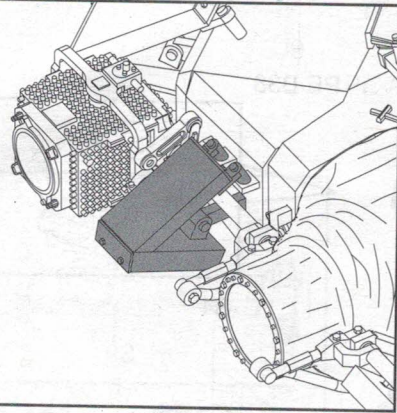
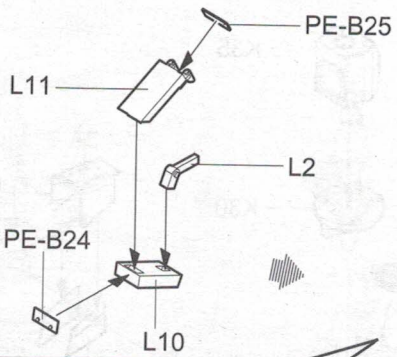
17





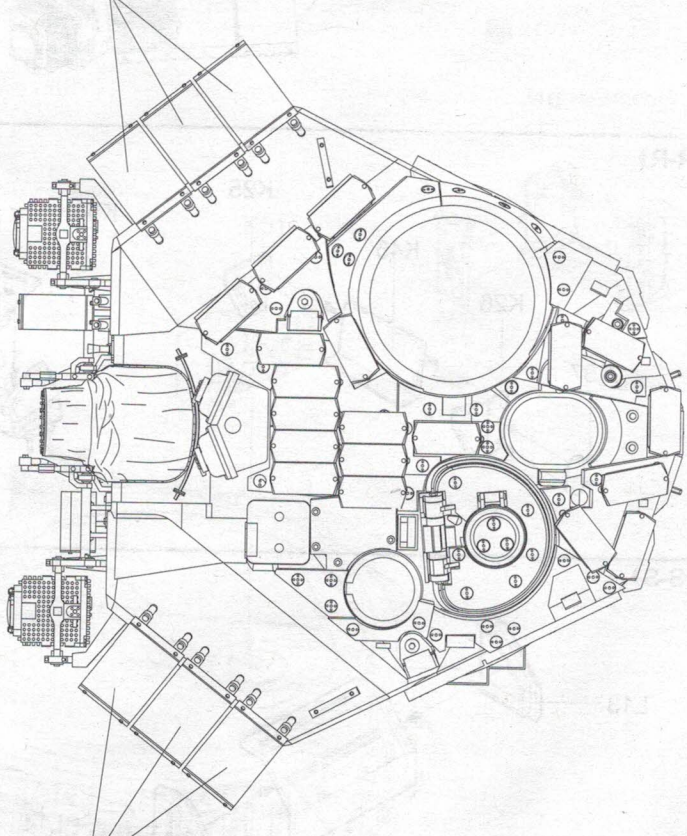


20

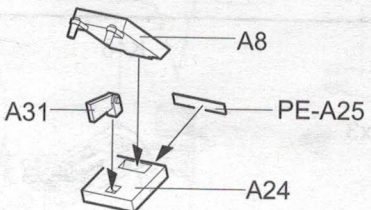


填补
Repair

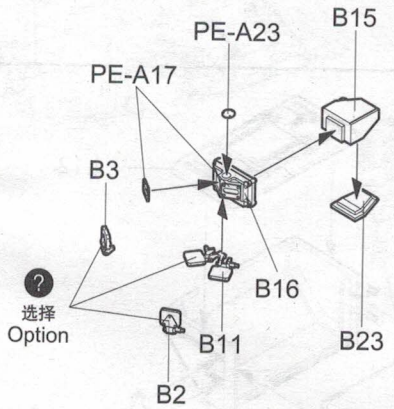
《P-P》



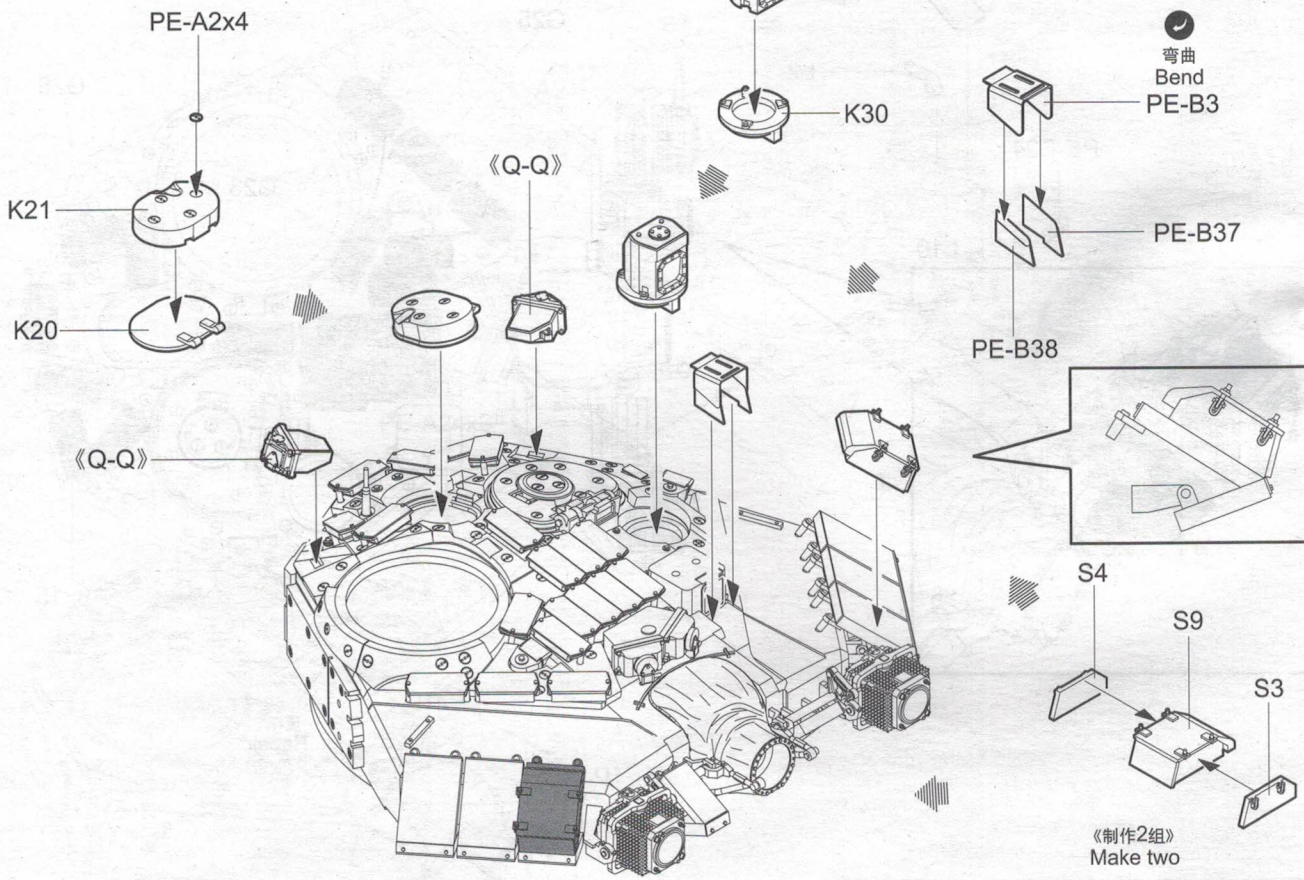
《P-P》



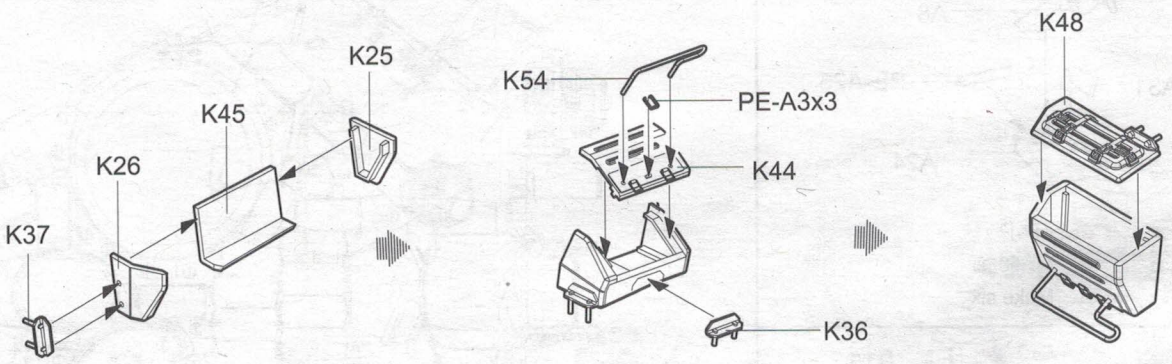
《P-P》
《制作6组》
Make six



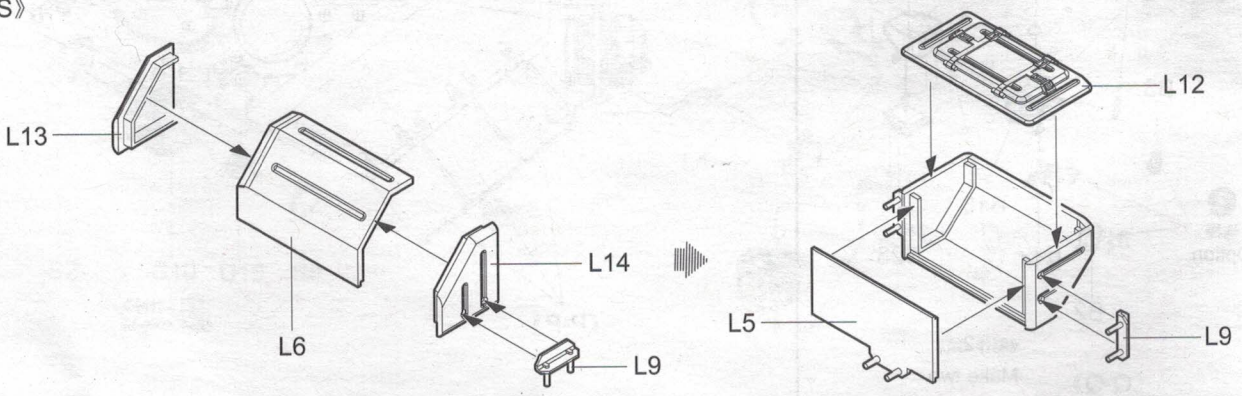
《Q-Q》
《制作2组》
Make two



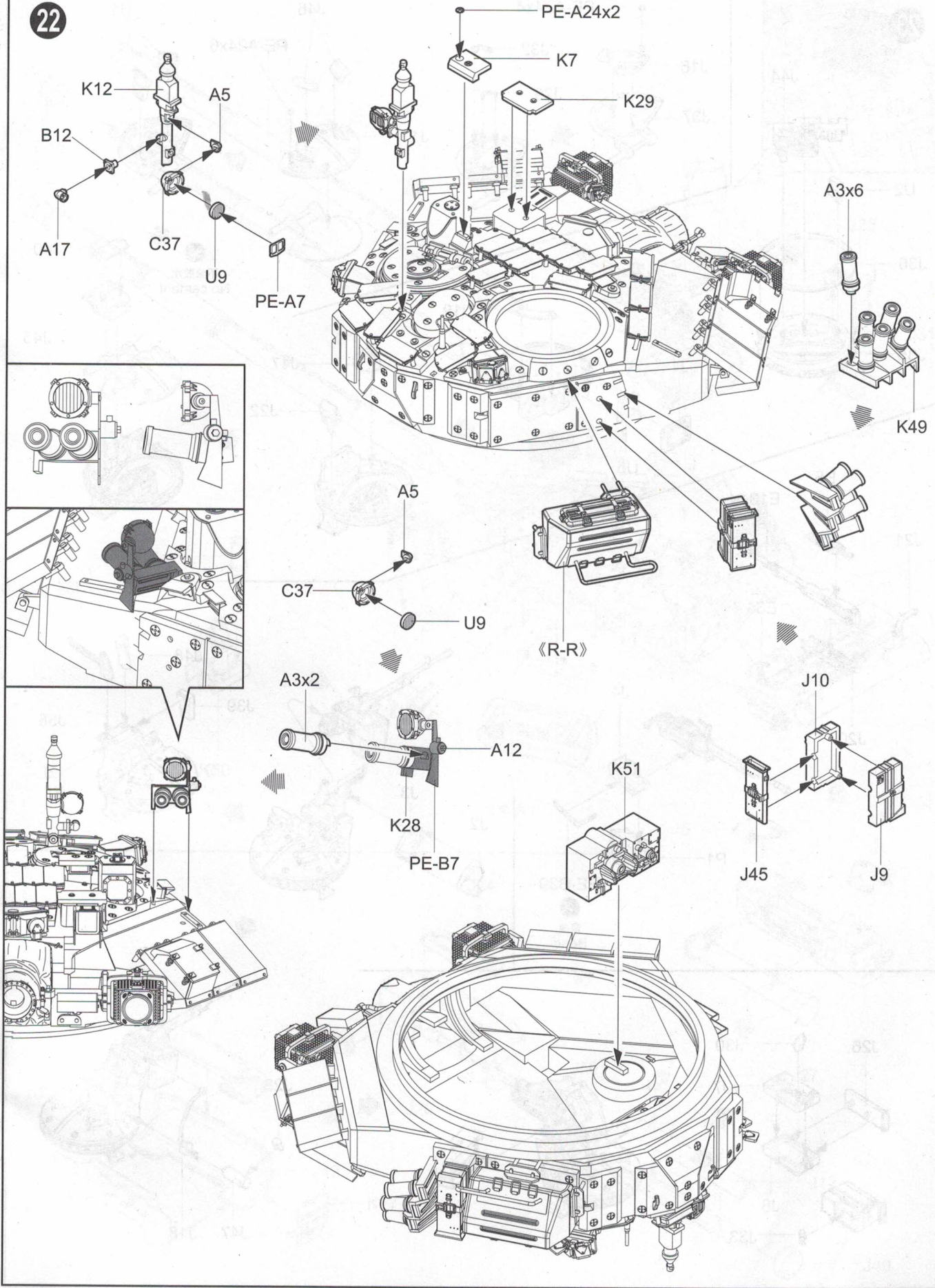
《R-R》



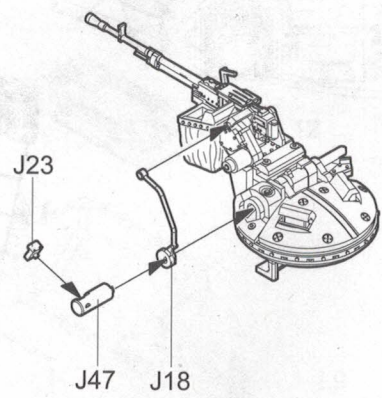
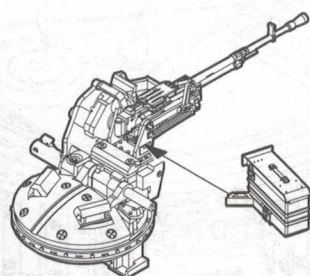
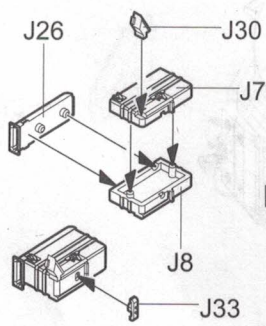
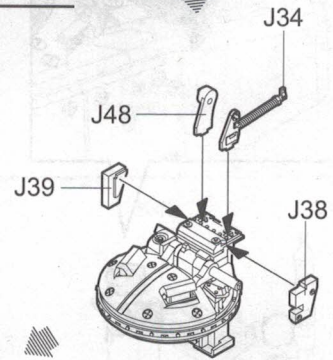
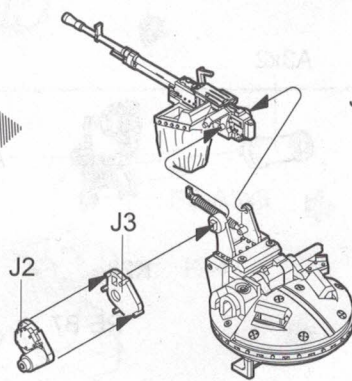
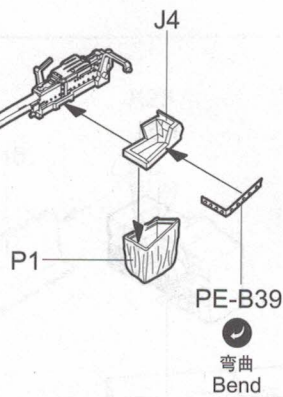
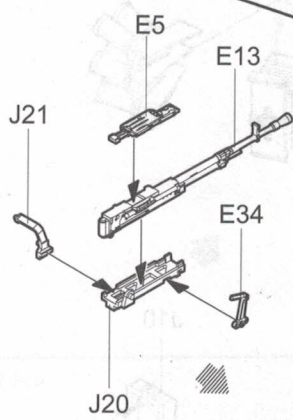
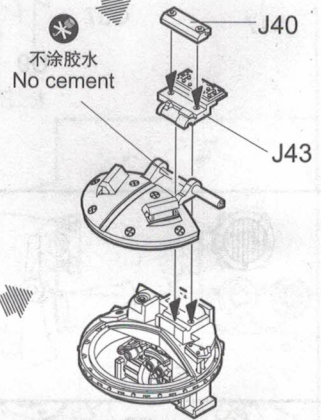
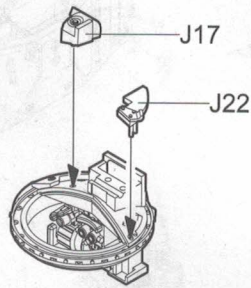
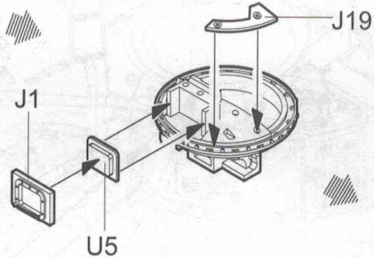
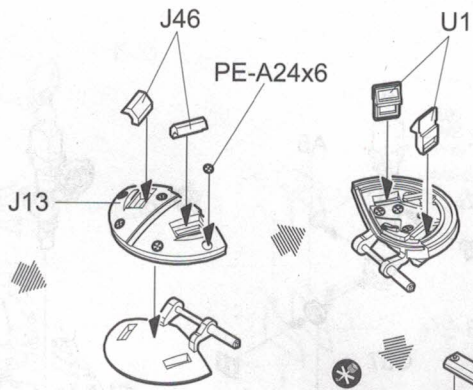
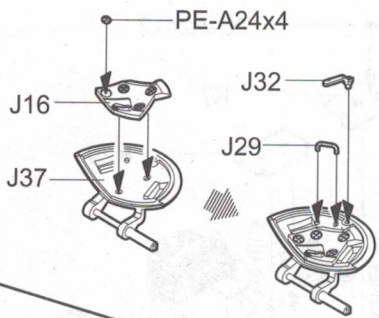
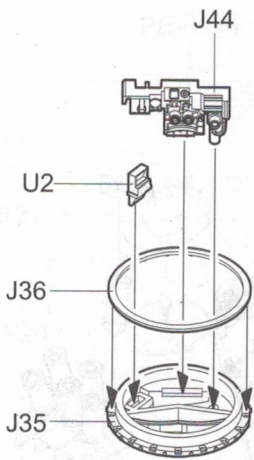
《S-S》



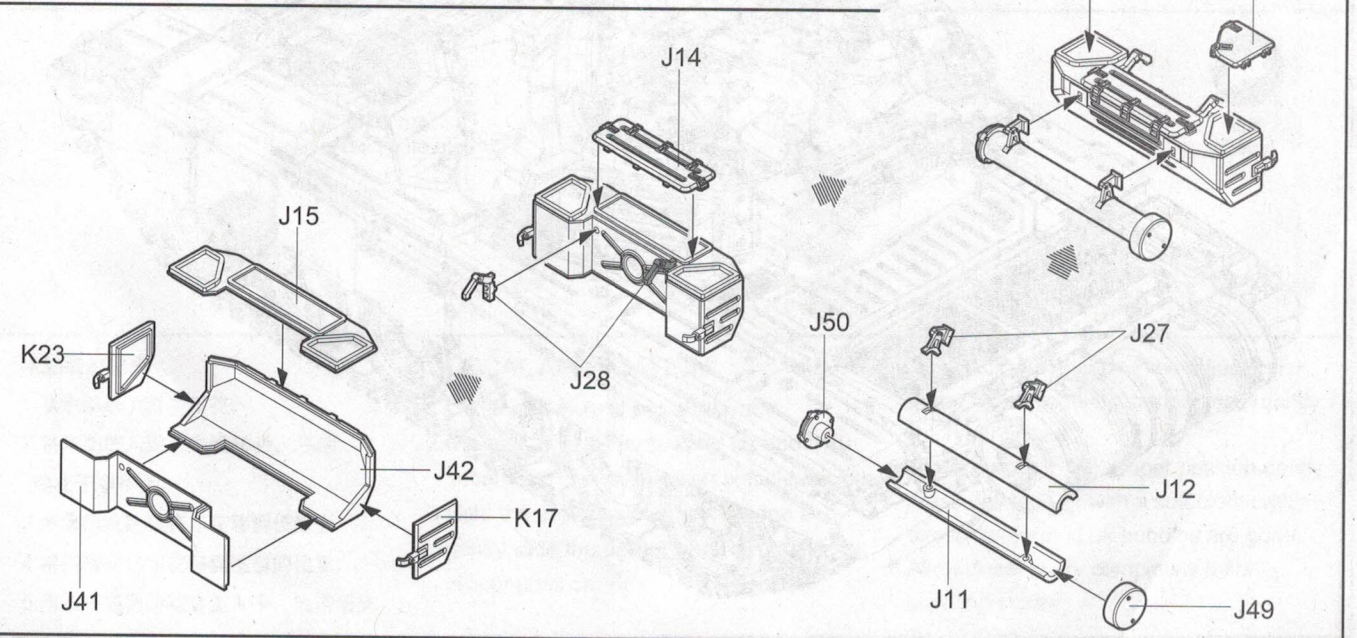
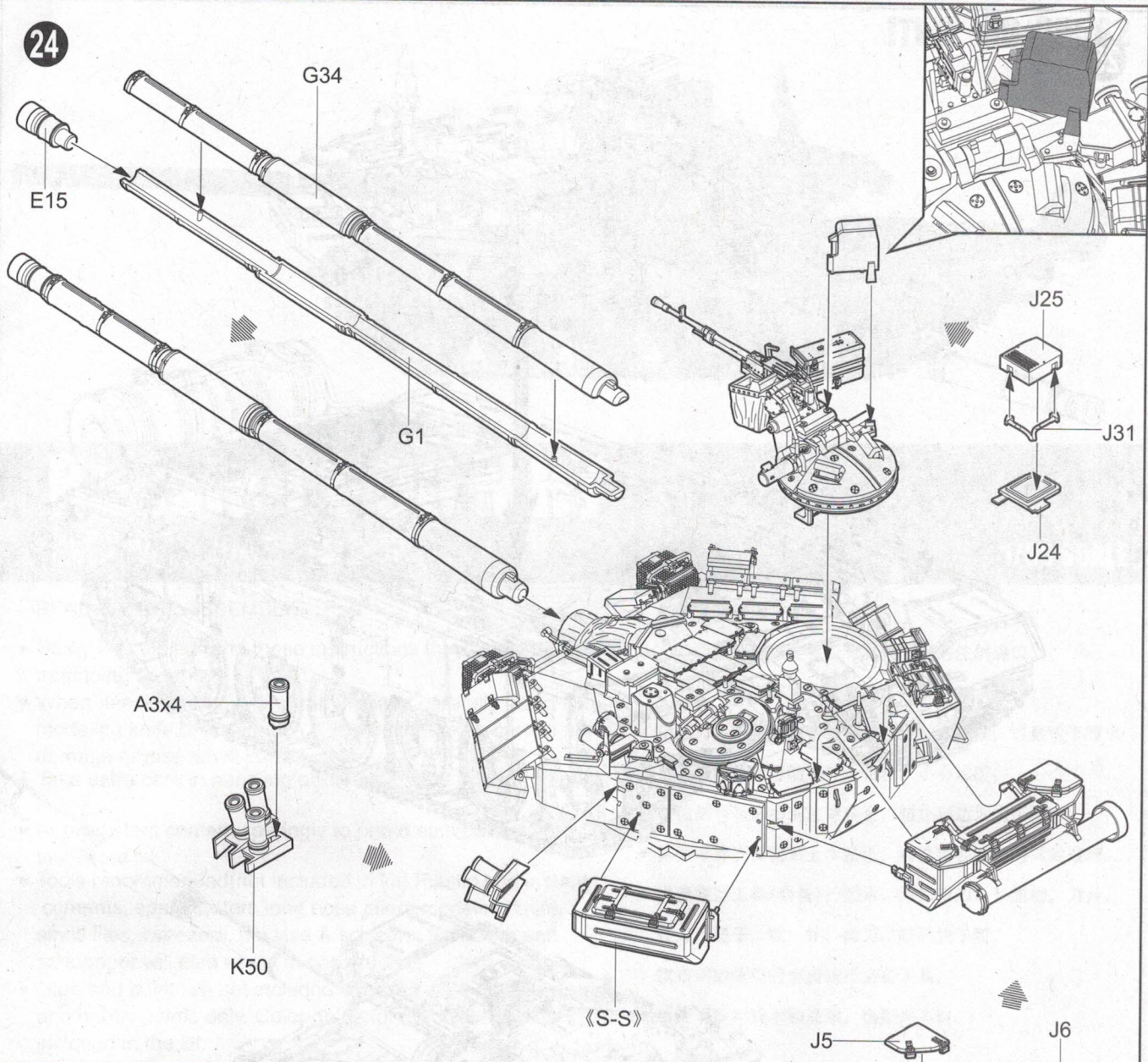
22

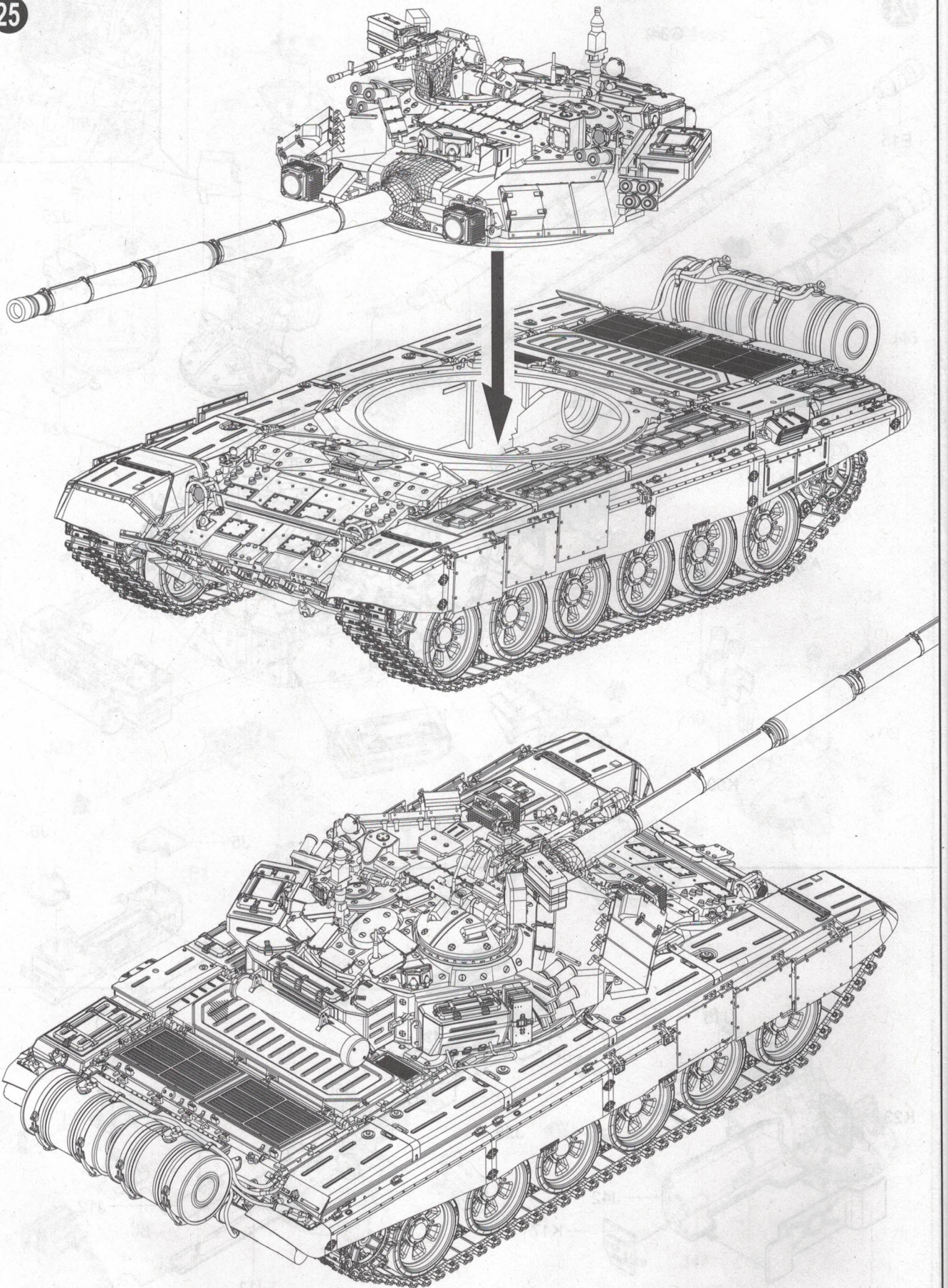


23



24





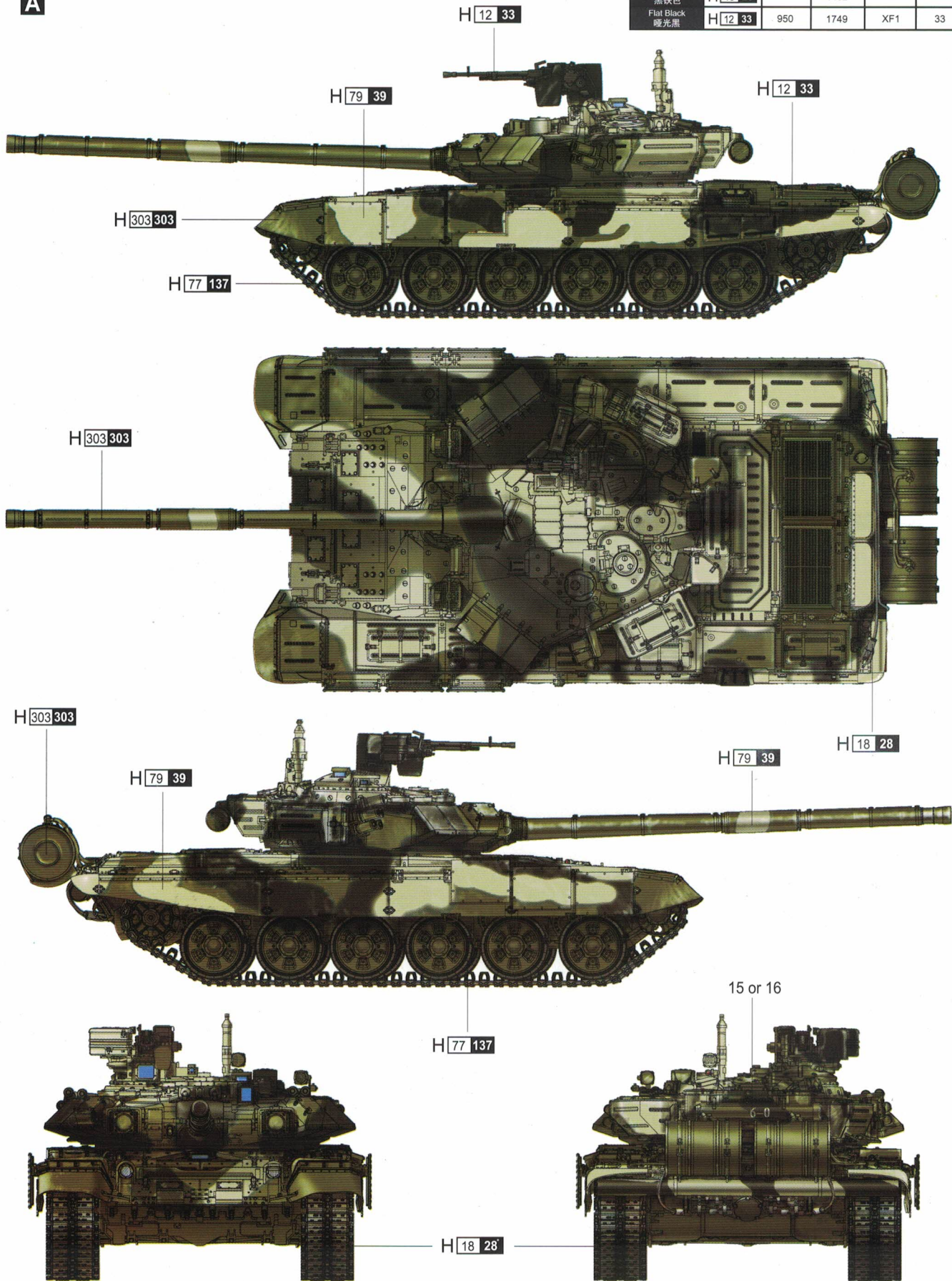
涂装同标贴指示

Painting & Marking guide

PAINT REFERENCE COLOUR

Color	Mr.Hobby	Vallejo	Model Master	Tamiya	Humbrol
Light Green 绿色	H 303 303	—	1713	XF20	117
Sandy Brown 砂黄色	H 79 39	842	—	XF59	93
Tire Black 胎黑色	H 77 137	—	—	—	—
Metal Black 黑铁色	H 18 28	864	1402	—	—
Flat Black 哑光黑	H 12 33	950	1749	XF1	33

A



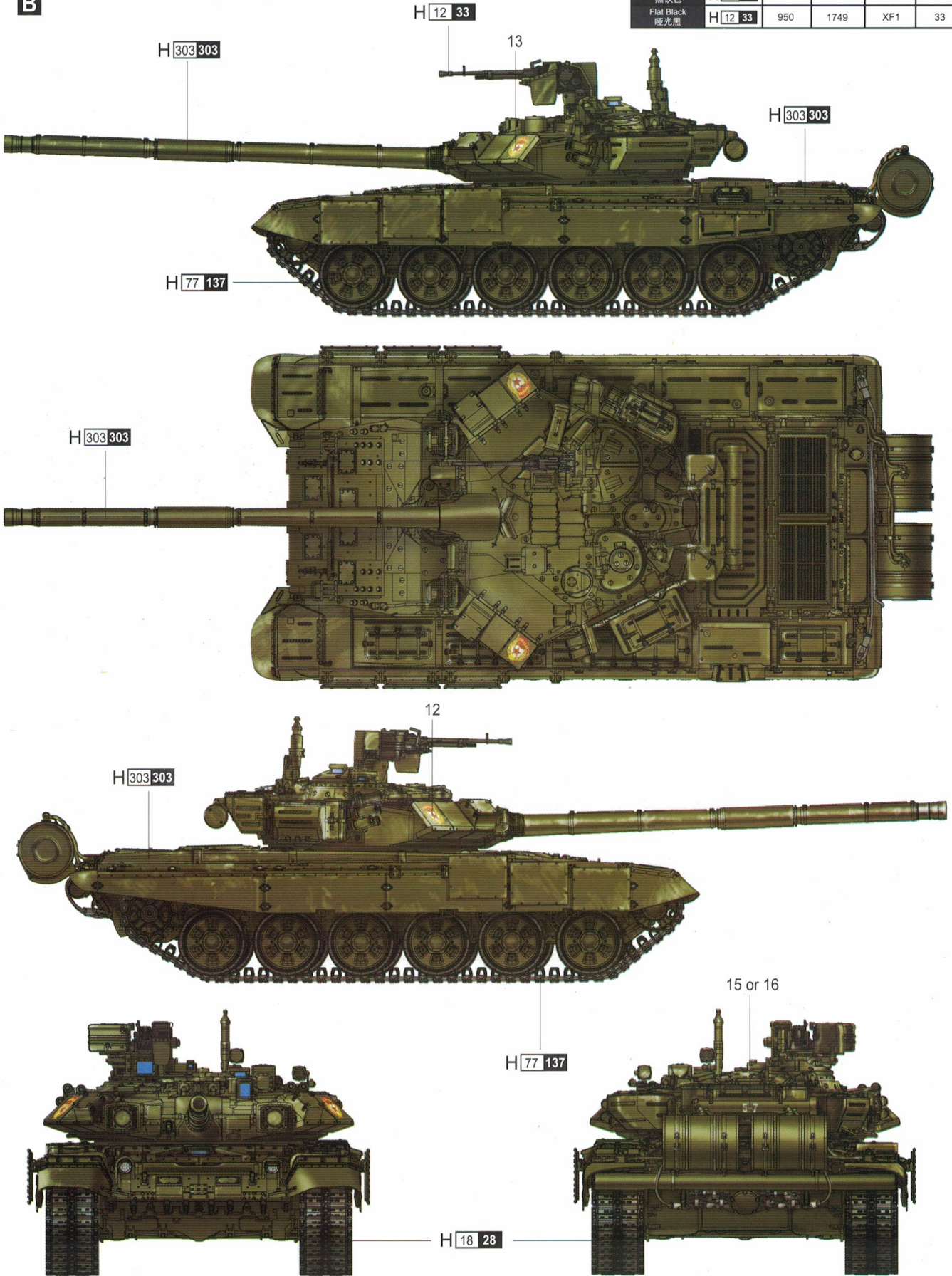
H AQUEOUS HOBBY COLOR ■ Mr. COLOR

涂装同标贴指示 Painting & Marking guide

PAINT REFERENCE COLOUR

Color	Mr.Hobby	Vallejo	Model Master	Tamiya	Humbrol
Light Green 绿色	H 303 303	—	1713	XF20	117
Sandy Brown 砂黄色	H 79 39	842	—	XF59	93
Tire Black 胎黑色	H 77 137	—	—	—	—
Metal Black 黑铁色	H 18 28	864	1402	—	—
Flat Black 哑光黑	H 12 33	950	1749	XF1	33

B



H AQUEOUS HOBBY COLOR ■ Mr. COLOR