

Russian BMP-2 IFV

俄罗斯BMP-2步兵战车

READ BEFORE ASSEMBLY:

- Study and understand these instructions thoroughly before beginning assembly
- When needed, remove photo-etch parts carefully using a modeling knife or photo etch sprue cutter, being careful not to damage or lose small parts.
- Take extra care in handling photo etch parts in order to avoid injury
- Apply instant cement sparingly to photo etch parts where instructed
- Tools recommended(not included in kit):Plastic and instant cements, sprue cutters,long nose pliers,modeling knife, small files, tweezers, pin vise & scissors. Soft cloth and sandpaper will also assist in construction
- Glue and paint are not included in the kit. Use plastic cement and hobby paints only. Color guide for purchasing paint is included in the kit.

装配之前仔细阅读

- 小心用模型锉刀锉平所有零件表面的注射浇口。
- 小心用刀片切下蚀刻片零件，不要遗失小零件。
- 用强力快干胶水粘合蚀刻片零件和金属轴。过量快干胶水使用可能导致可动零件会粘住，小心涂胶。
- 取蚀刻片时应特别注意安全，防止利边划伤手指。
- 某些零件表面需贴水上贴纸，请选择在装配的同时进行。
- 推荐模型工具(自备)：胶水，水口剪刀，长咀钳，刀片，锉刀，镊子，钳，钻，剪刀，瞬间快干胶。
- 软布同砂纸同时也应该是必备工具。
- 请使用塑料胶水和油漆，模型内不含。



配重
Weight



使用强力胶
Cyanoacrylate glue



钻孔
Make hole



切除
Cut / Remove



贴纸
Decal



锉平
File / Sand



选择
Option



不涂胶水
No cement



弯曲
Bend

水贴纸的使用:

- 1.从水贴上剪下印花;
- 2.将印花放入温水中浸10秒,然后放在干净布上。
- 3.拿着印花纸板将印花移到模型上;
- 4.手指蘸水将印花移到适当的位置;
- 5.用软布轻压印花直至水干,汽泡消失

DECAL APPLICATION

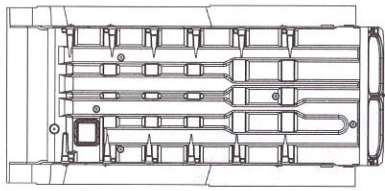
- 1.Cut decals from sheet as needed
- 2.Dip the decal in warm water for about 10 seconds and then place on soft clean cloth.
- 3.Hold the decal backing sheet edge and gently slide the decal onto the model in its proper position.

- 4.While still wet,decal can be adjusted for better fit on model by dampening it gently with your finger.
- 5.When placed in the proper position,gently press decal down with a soft cloth until excess water and air bubbles are gone.
- 6.Allow decal to dry completely before handling model

部品图 Parts

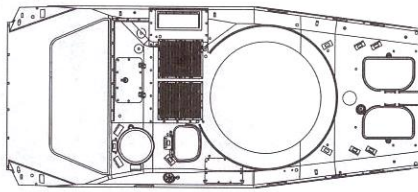
《车底》

Lower hull

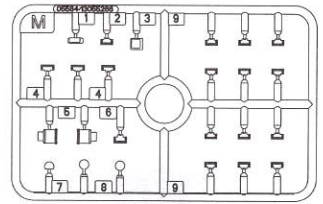


《车面》

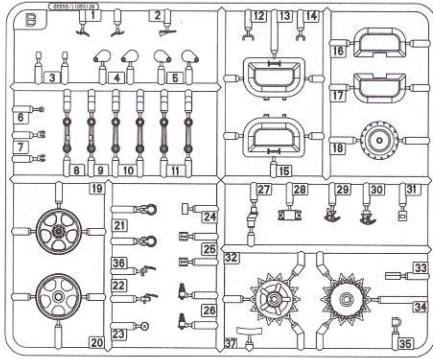
Upper hull



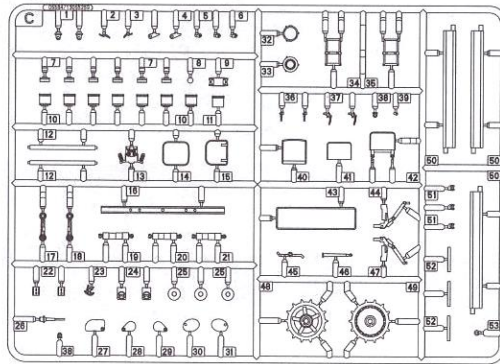
M



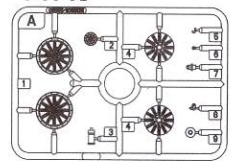
B X2



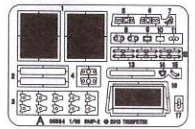
C X2



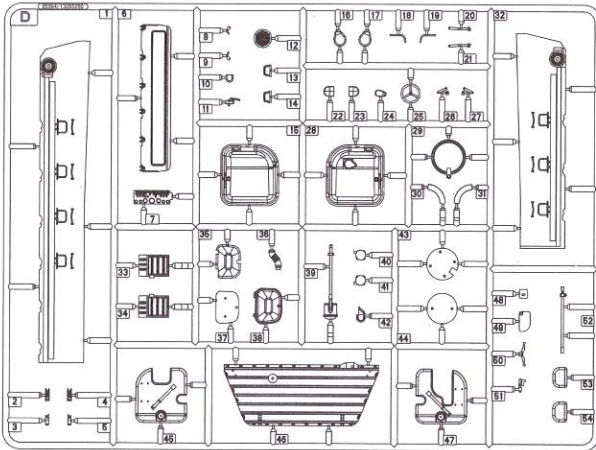
A X6



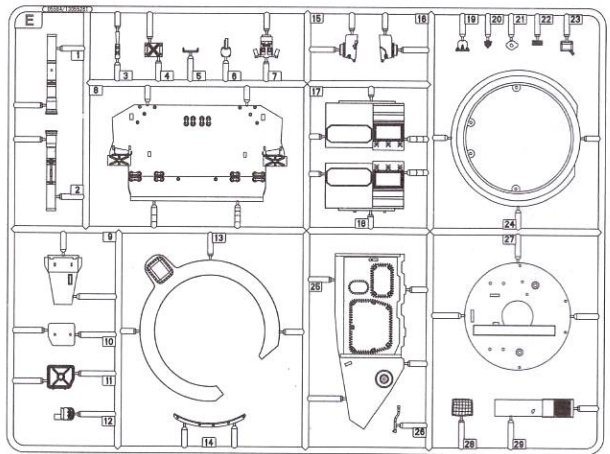
PE-A



D

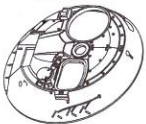


E

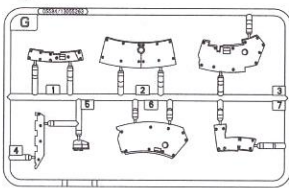


《炮塔》

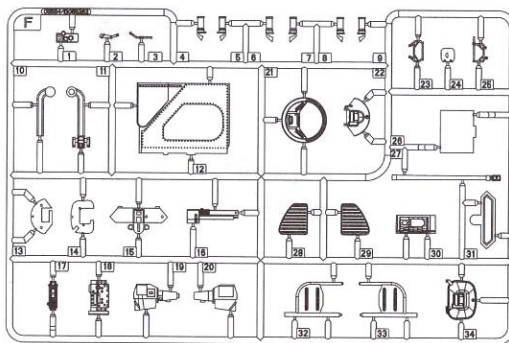
Turret



G



F

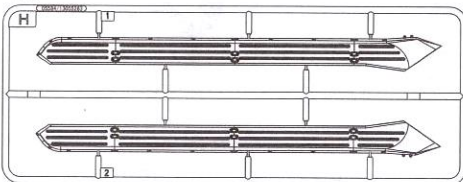


《水贴》

Decal



H



《履带》X2

Track

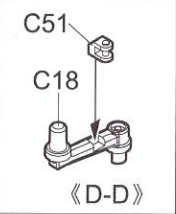
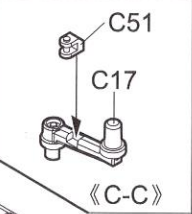
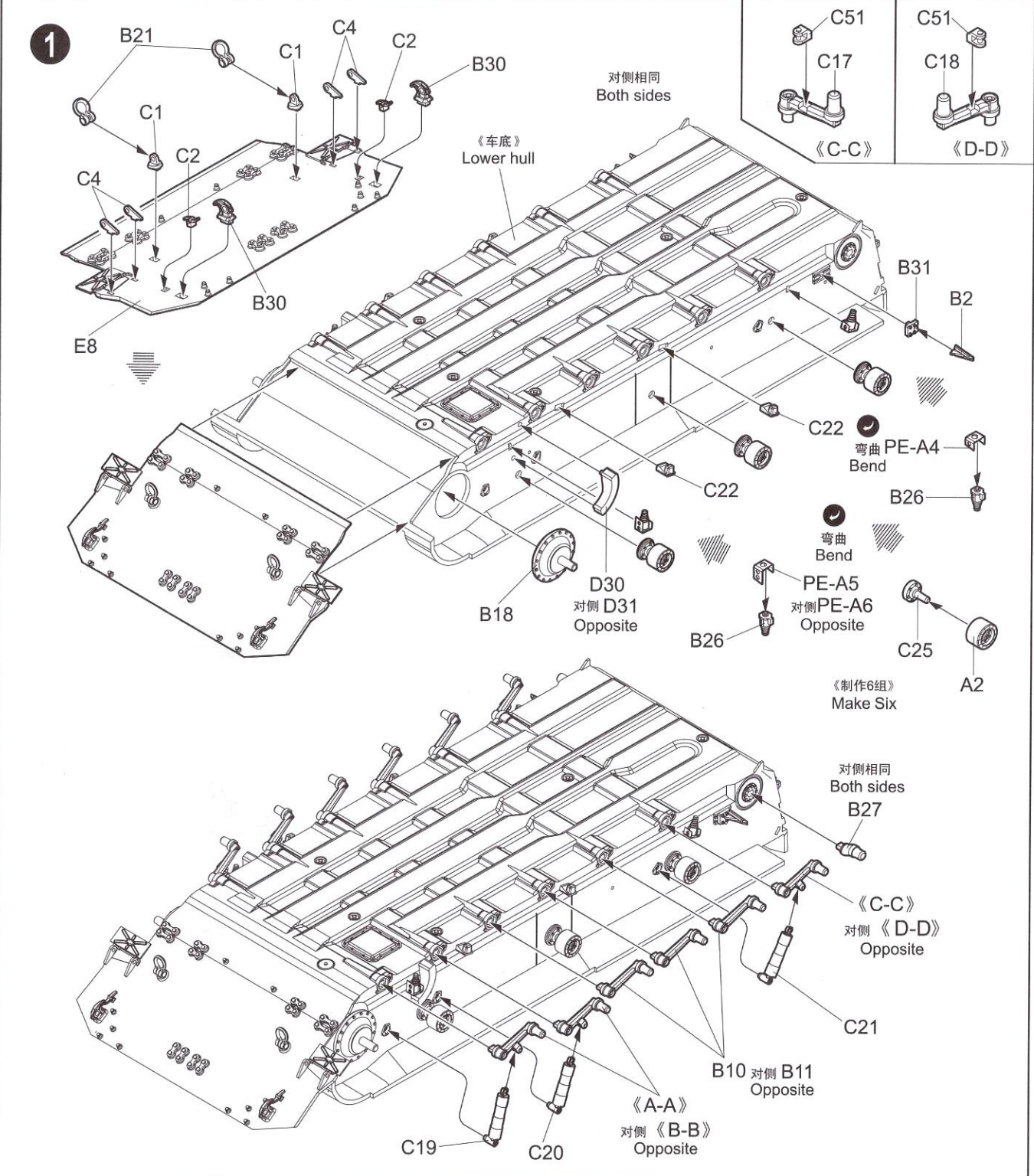
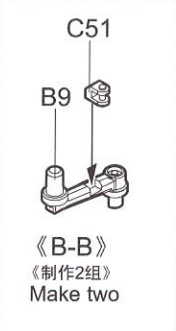
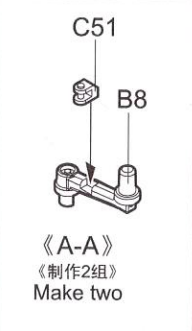
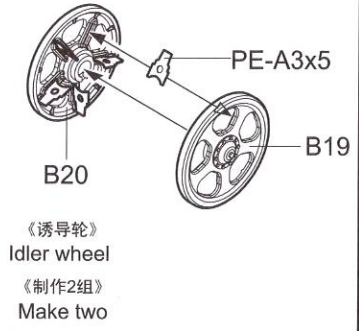
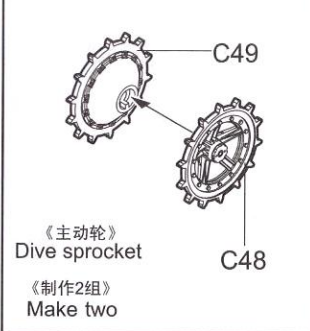


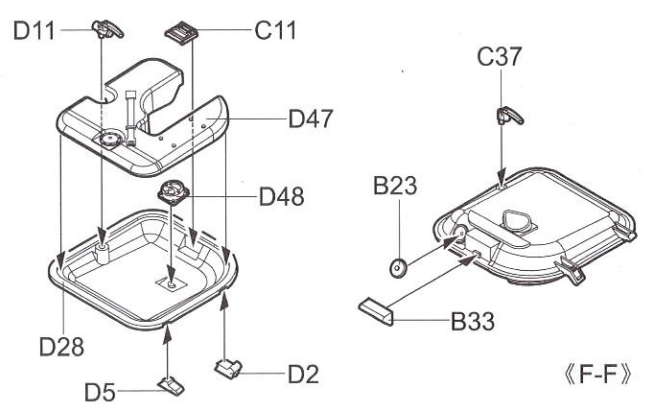
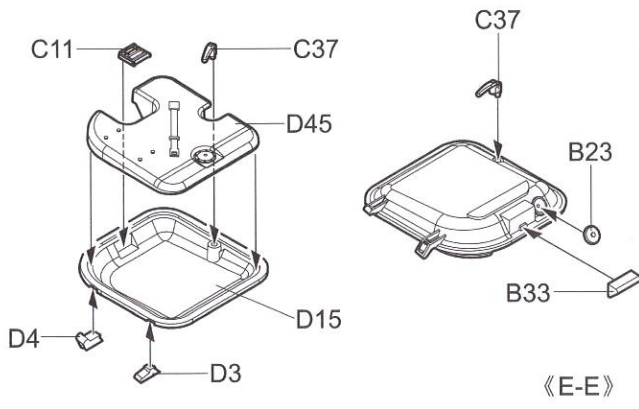
不用部品:

A3X6, A6X6, A7X6, A8X6, A9X6, B1X4, B3X4, B4X4, B5X4, B7X4, B10, B11, B13, B15, B16, B17, B22X2,

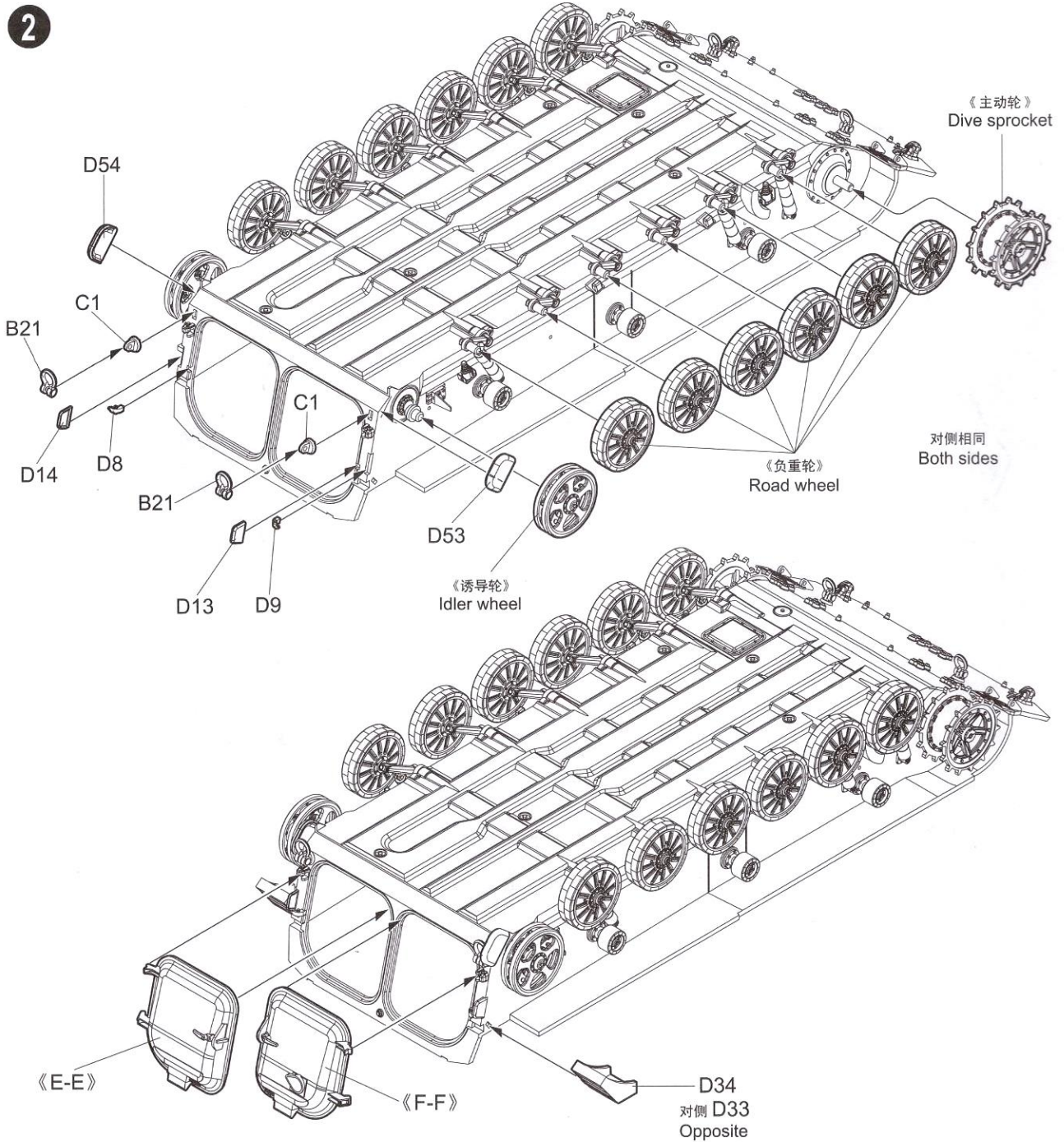
Unused parts

B25X4, B28X2, B29X2, B32X2, B34X2, B35X2, B36X2, B37X2, C9X1, C30X2, C31X2, C52X6, C53X1

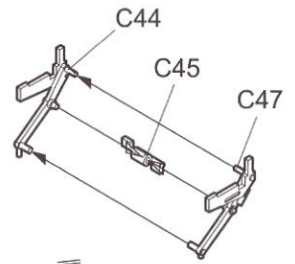
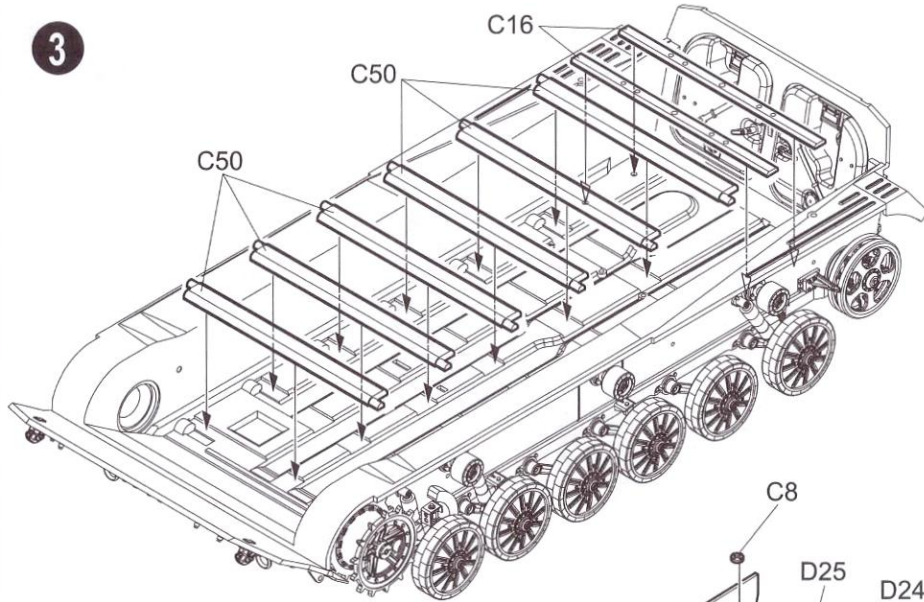




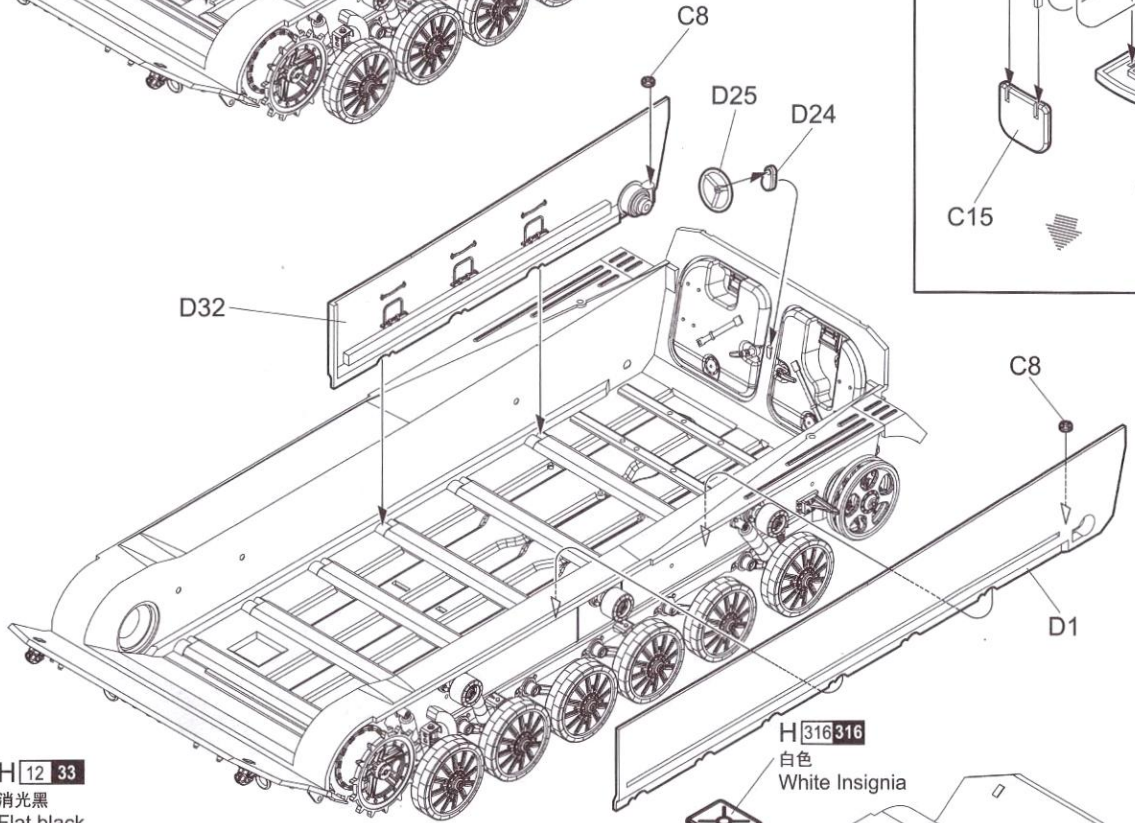
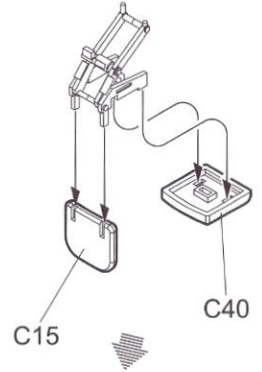
2



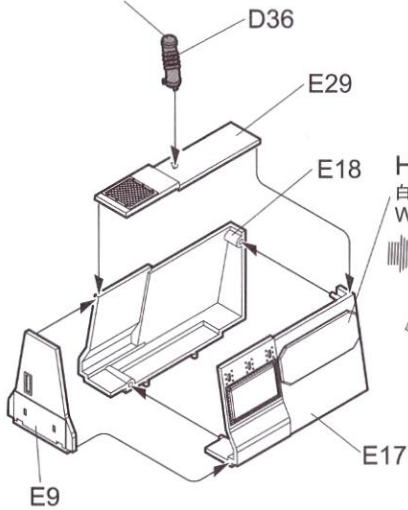
3



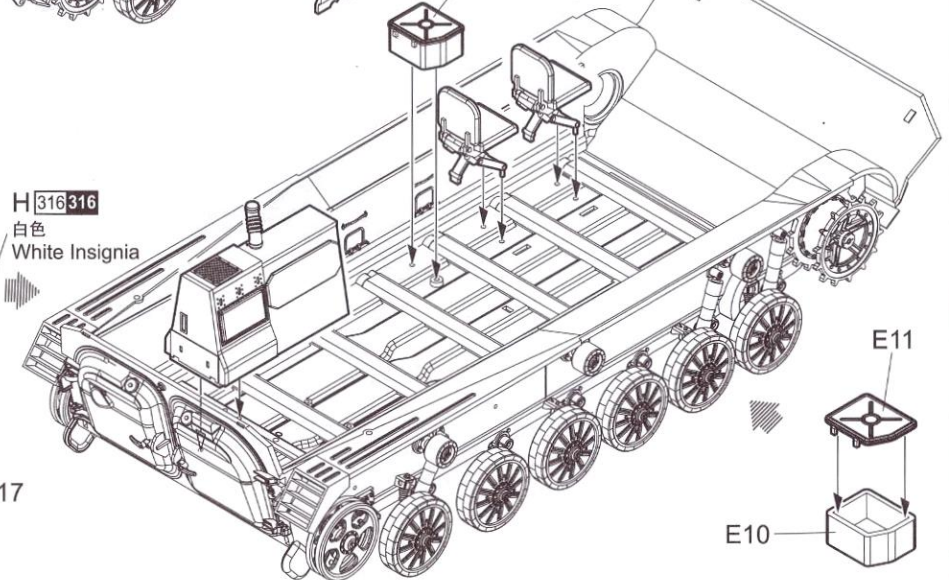
《制作2组》
Make two



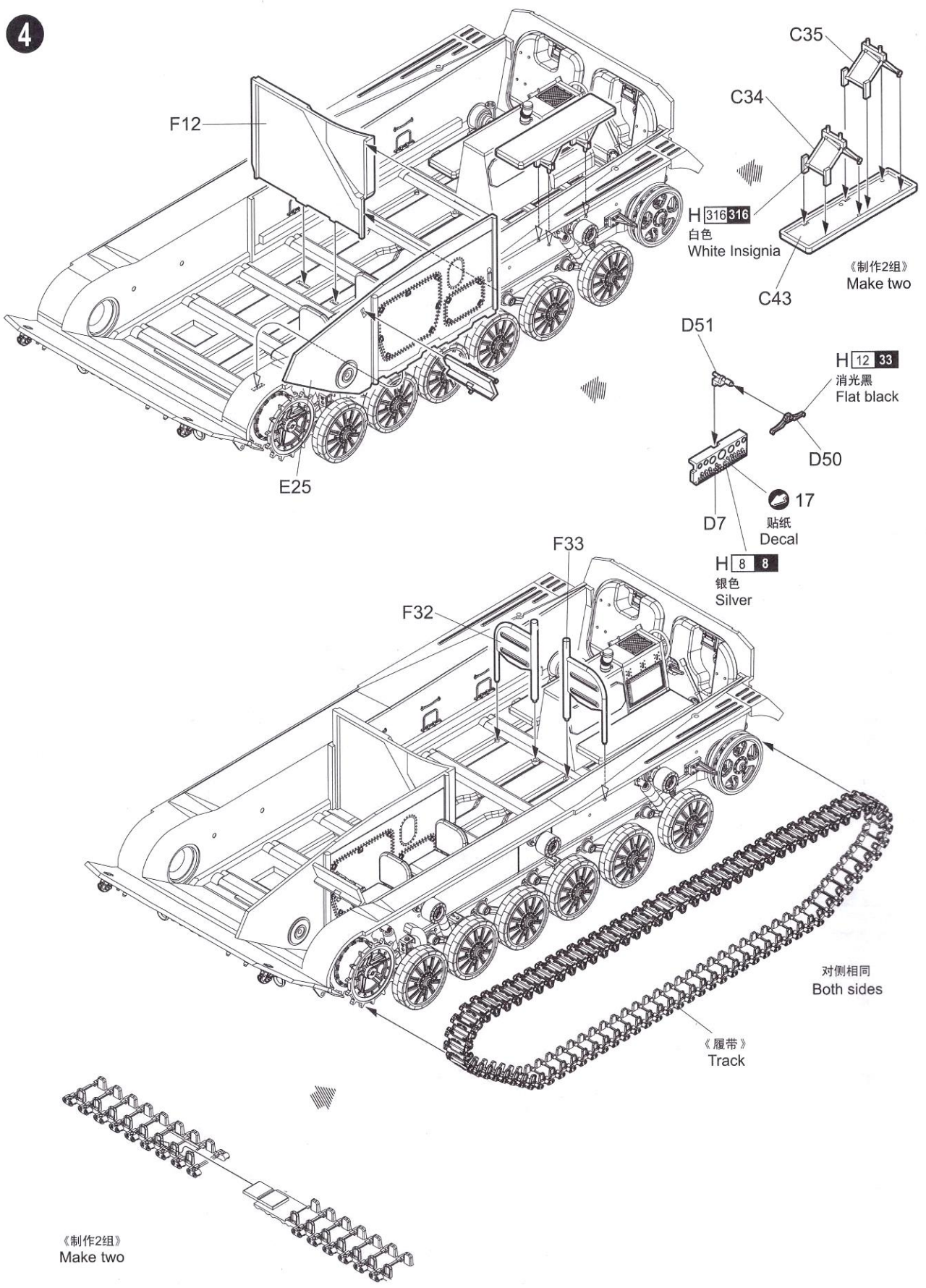
H 12 33
消光黑
Flat black



H 316 316
白色
White Insignia



4



F12

E25

F32

F33

C34

C35

D51

H 12 33

消光黑
Flat black

D50

D7

17

贴纸
Decal

H 8 8

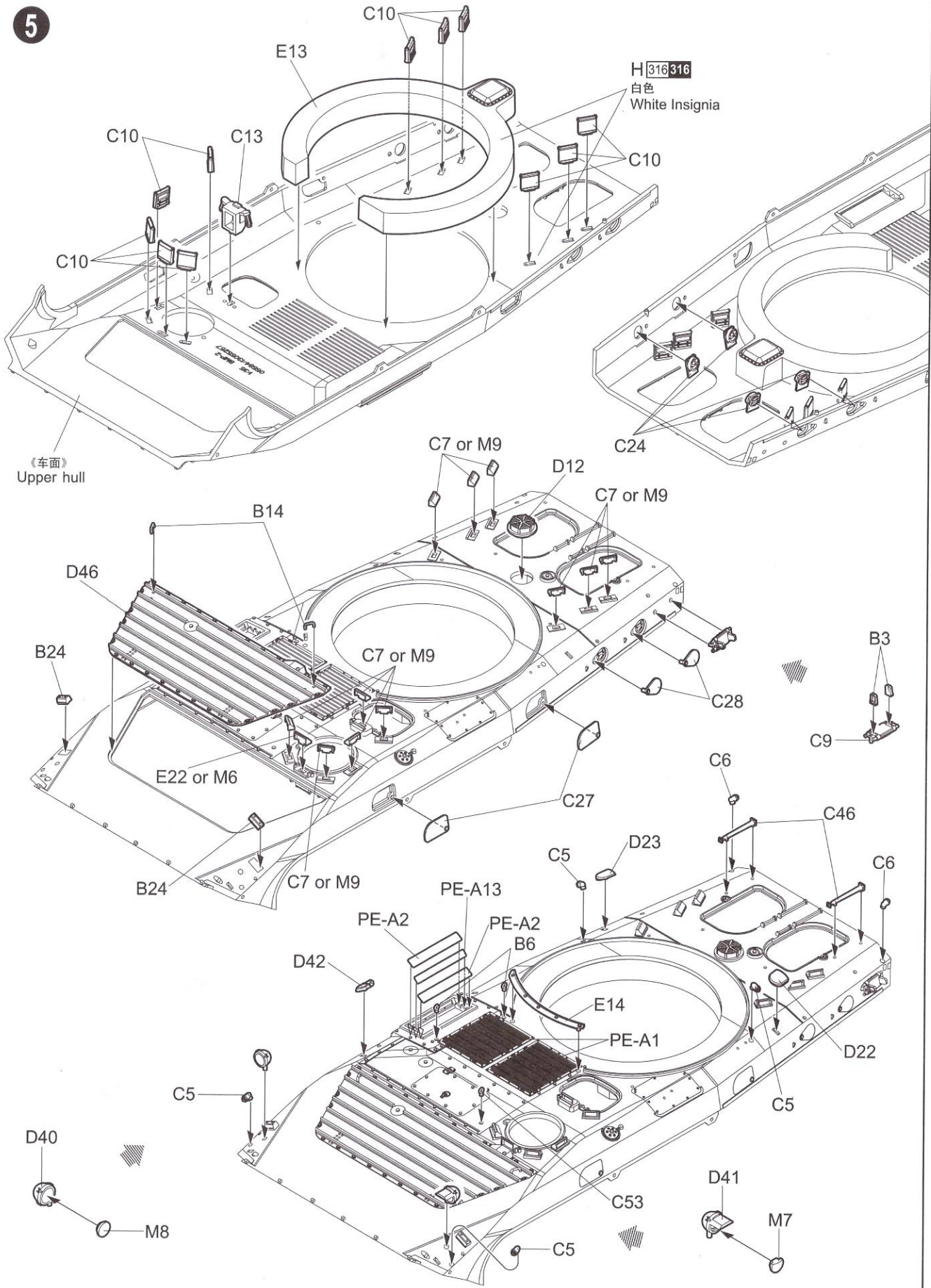
银色
Silver

对侧相同
Both sides

《履带》
Track

《制作2组》
Make two

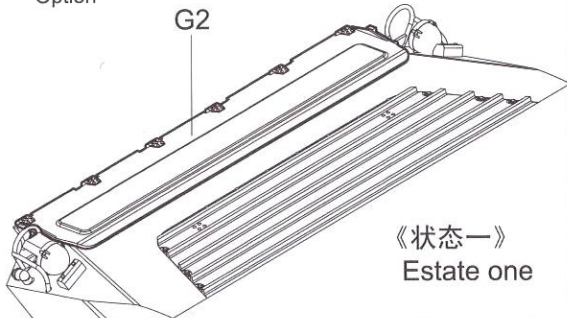
5



《车面》
Upper hull

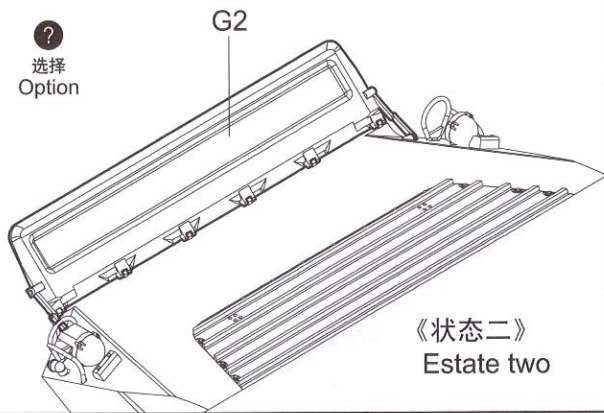
6

选择
Option

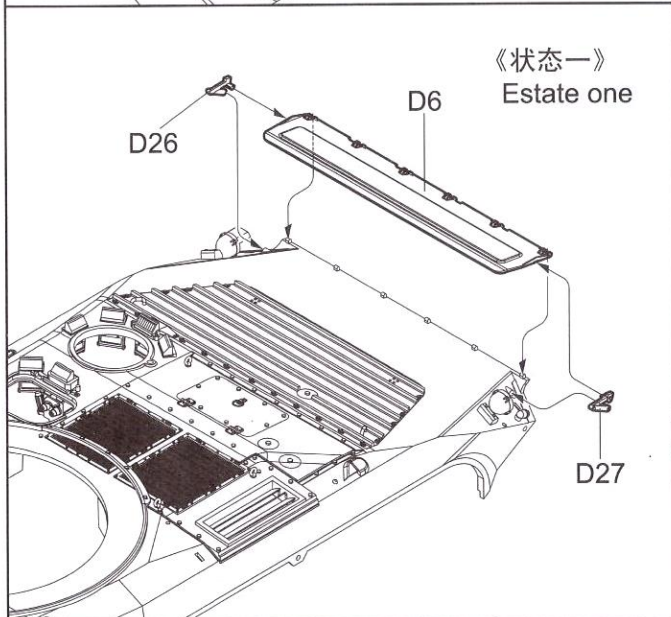


《状态一》
Estate one

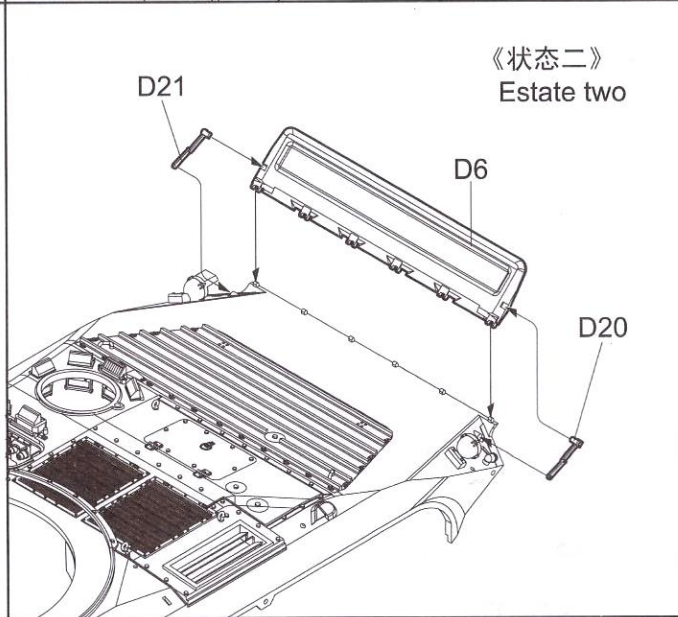
选择
Option



《状态二》
Estate two



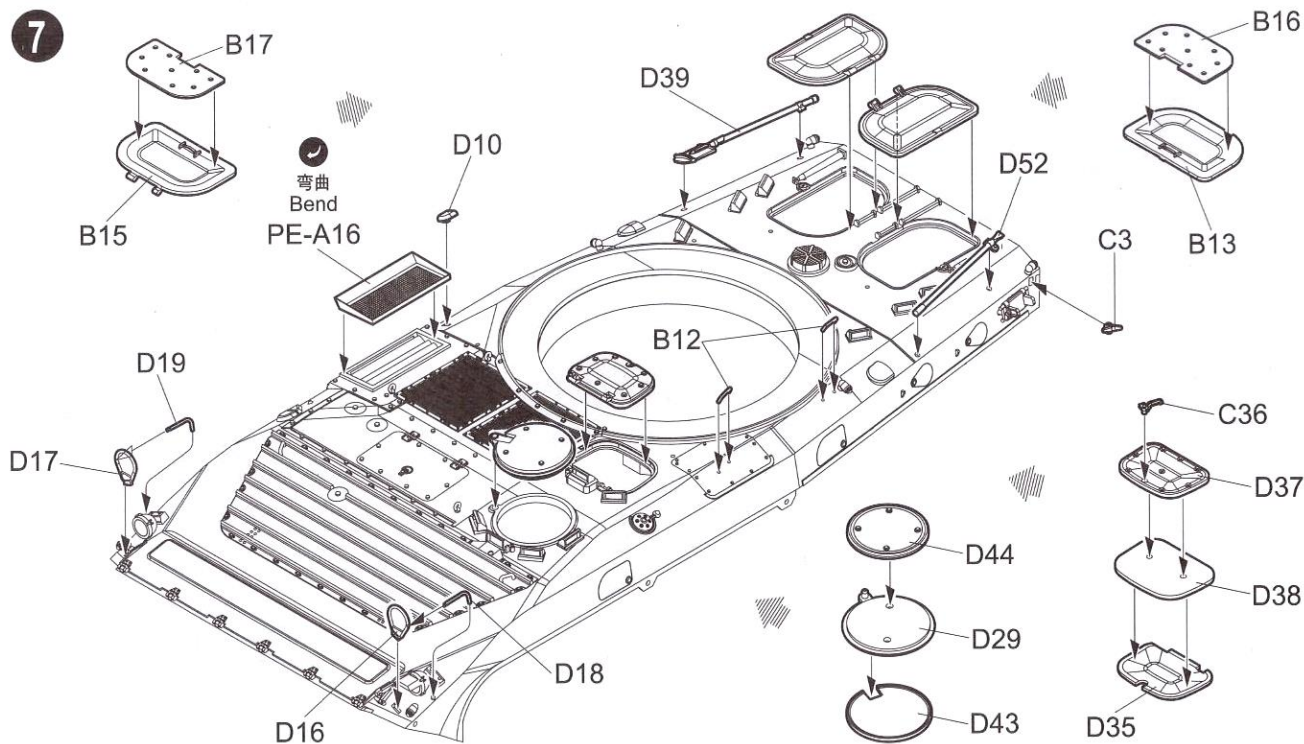
《状态一》
Estate one



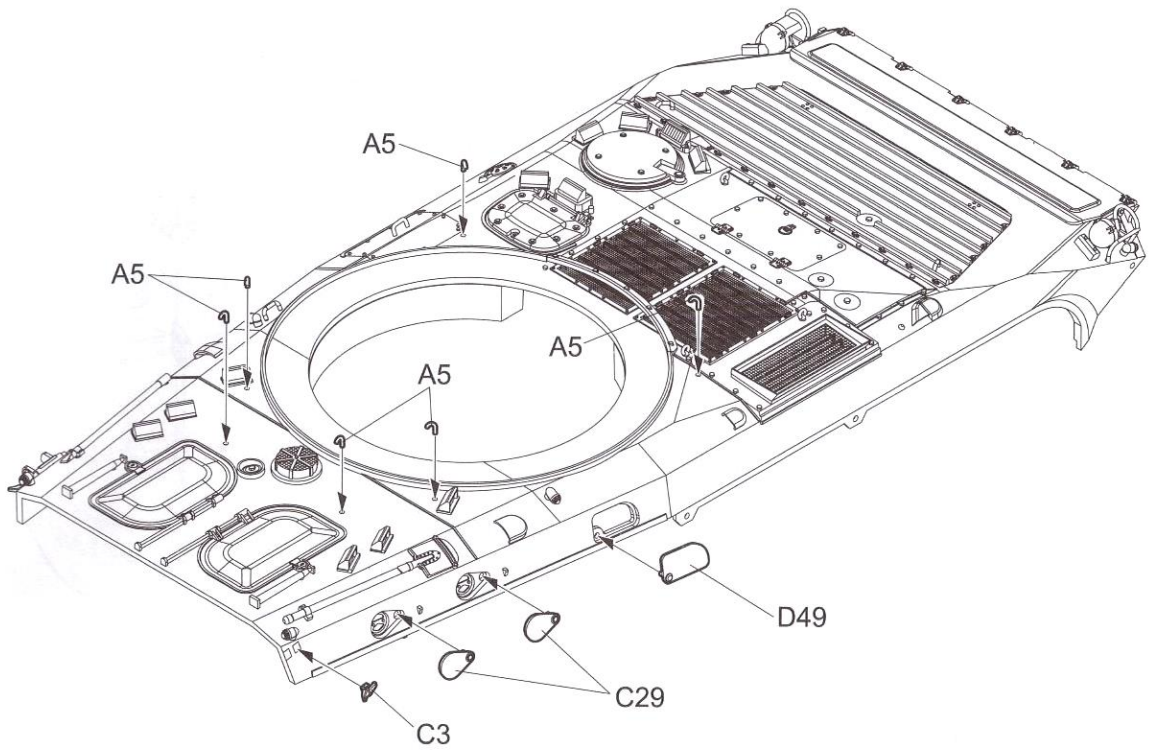
《状态二》
Estate two

7

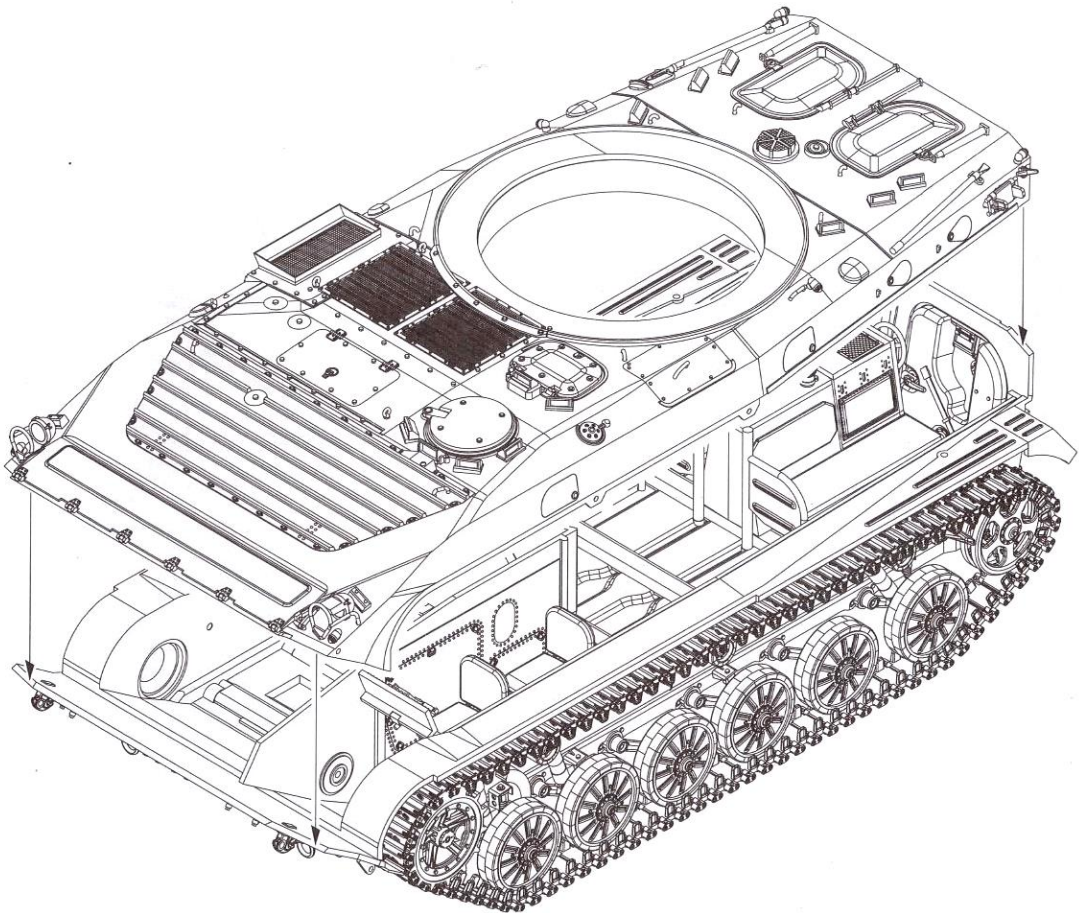
弯曲
Bend
PE-A16

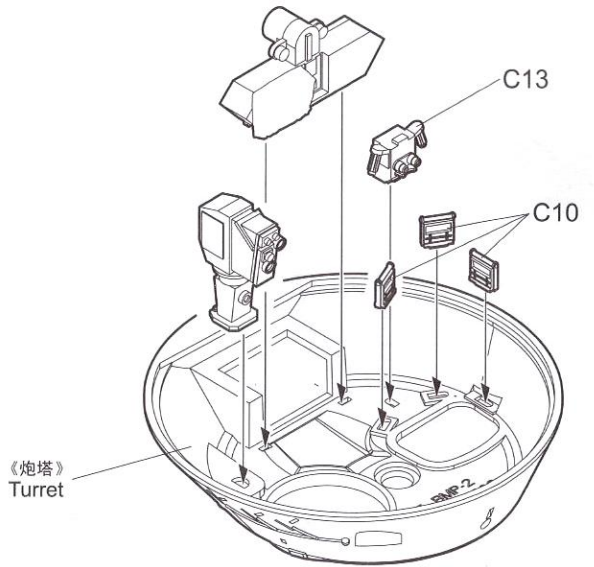
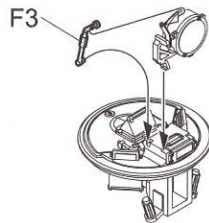
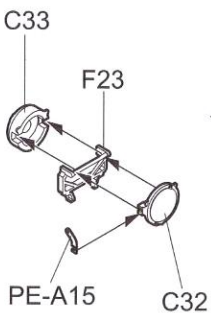
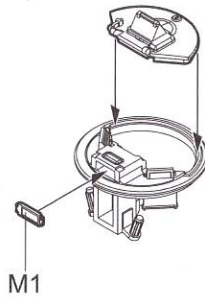
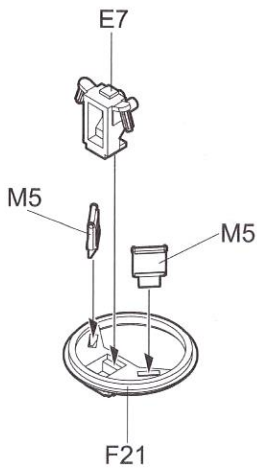
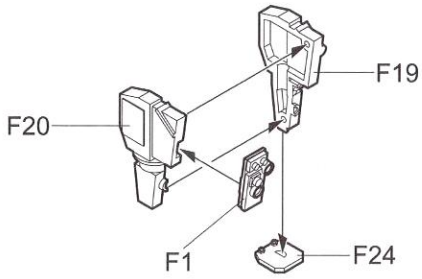
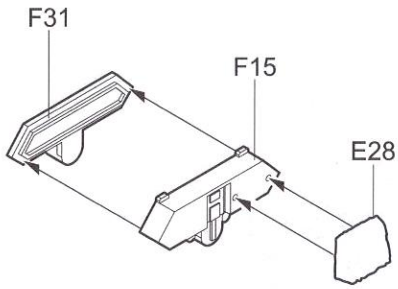


8

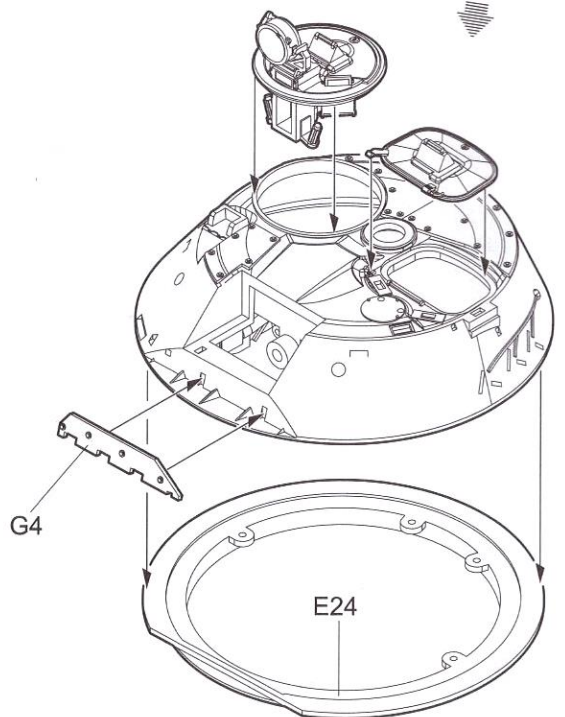
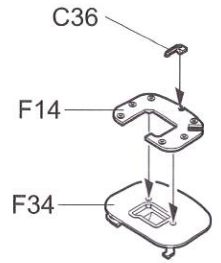
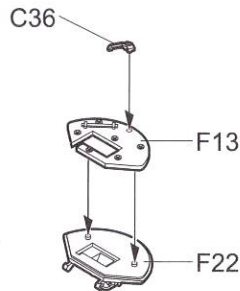


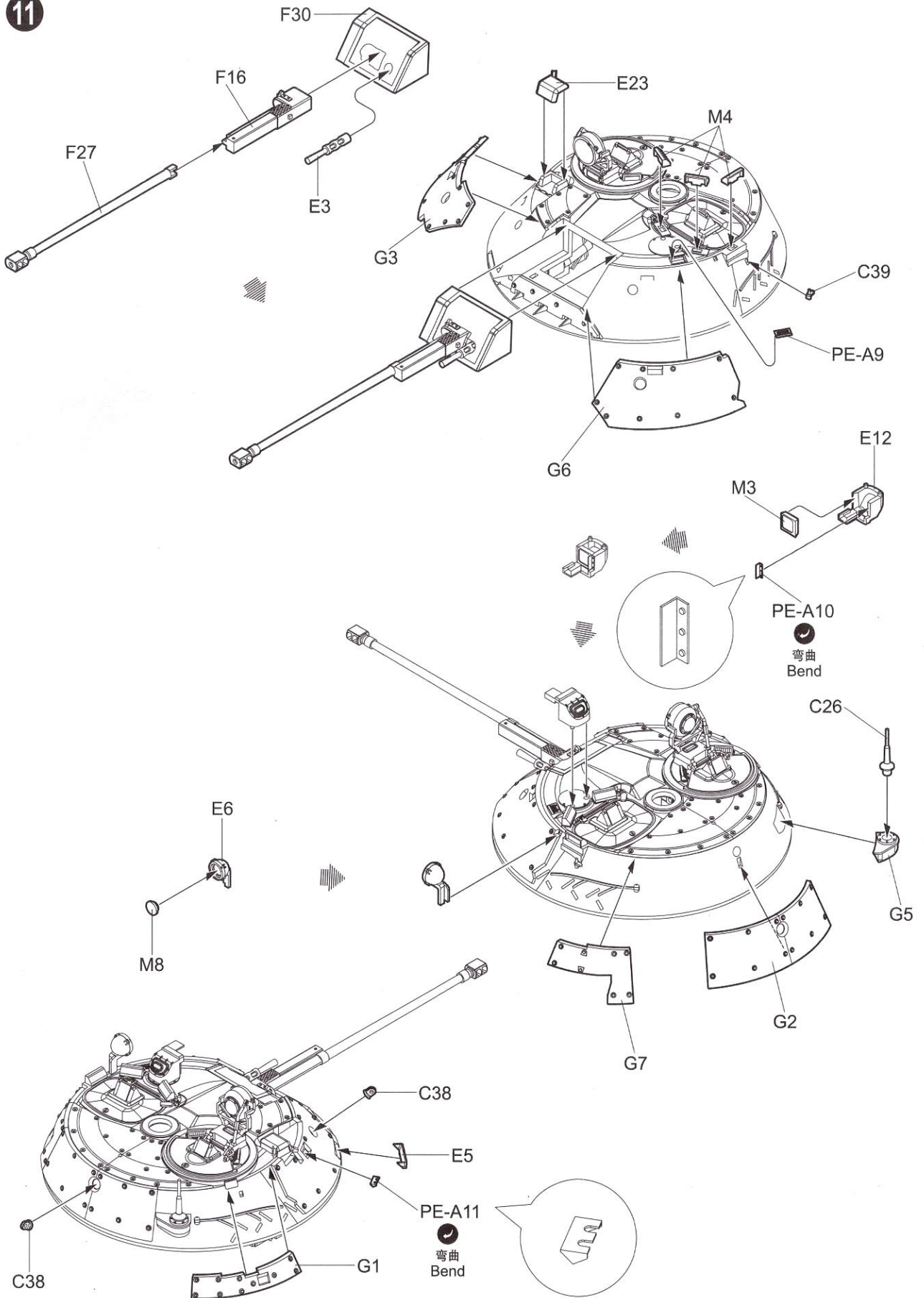
9



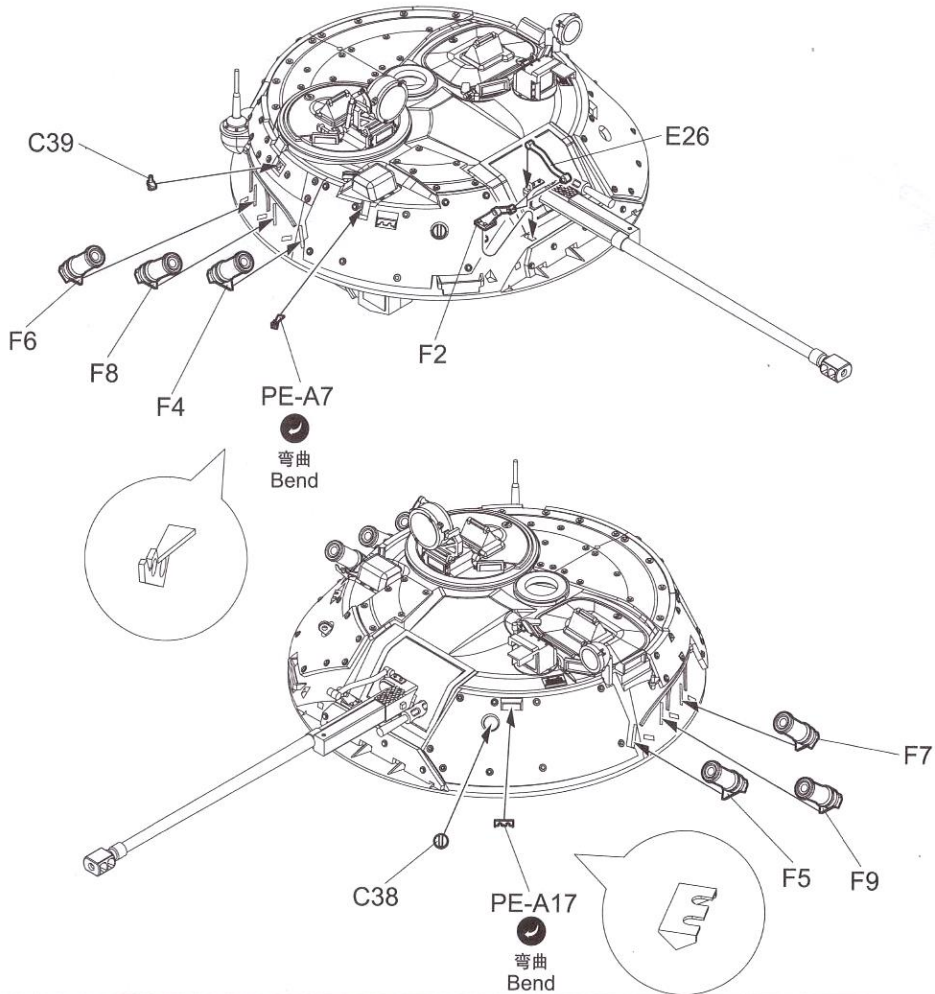


《炮塔》
Turret

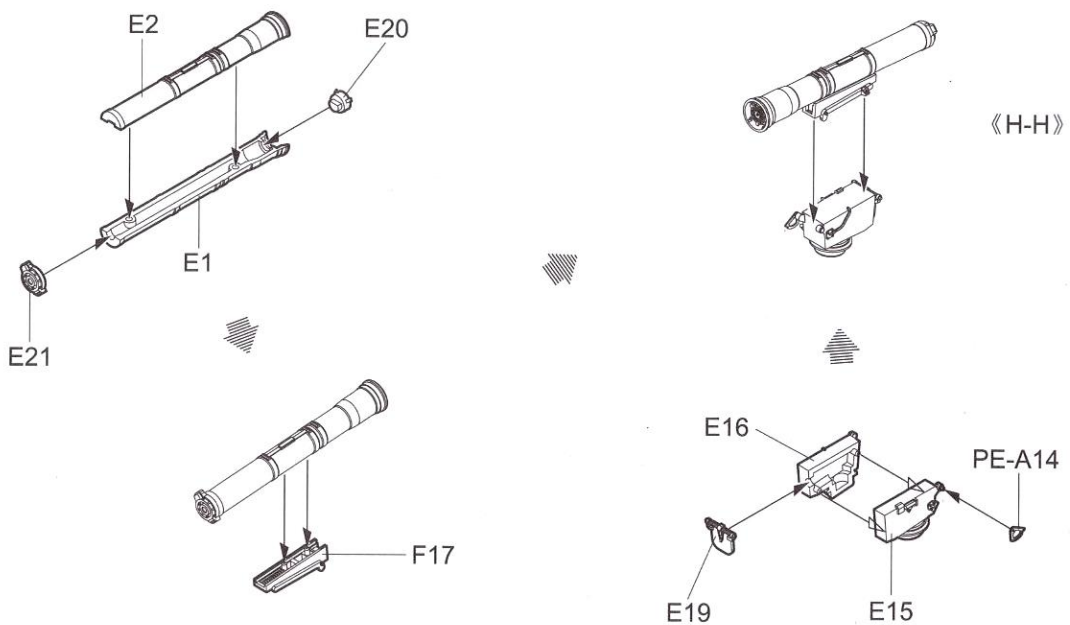




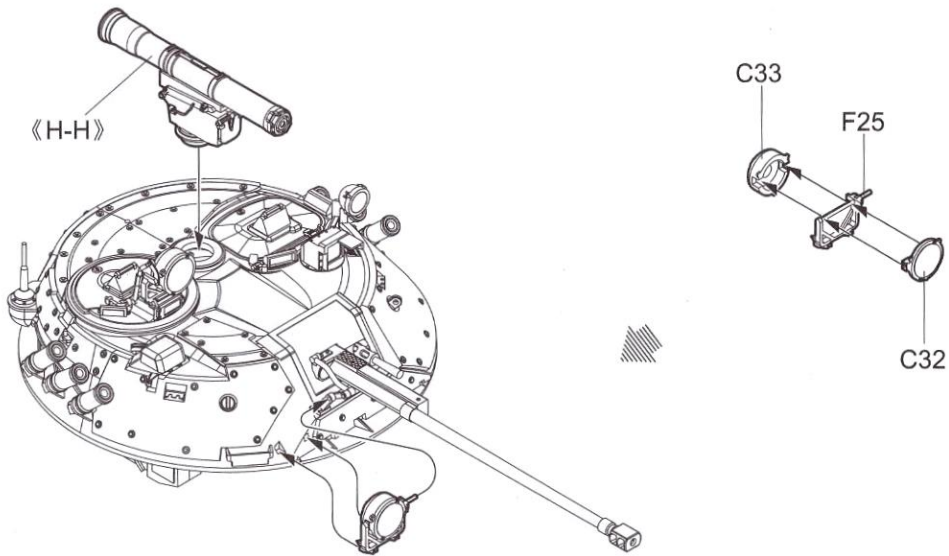
12



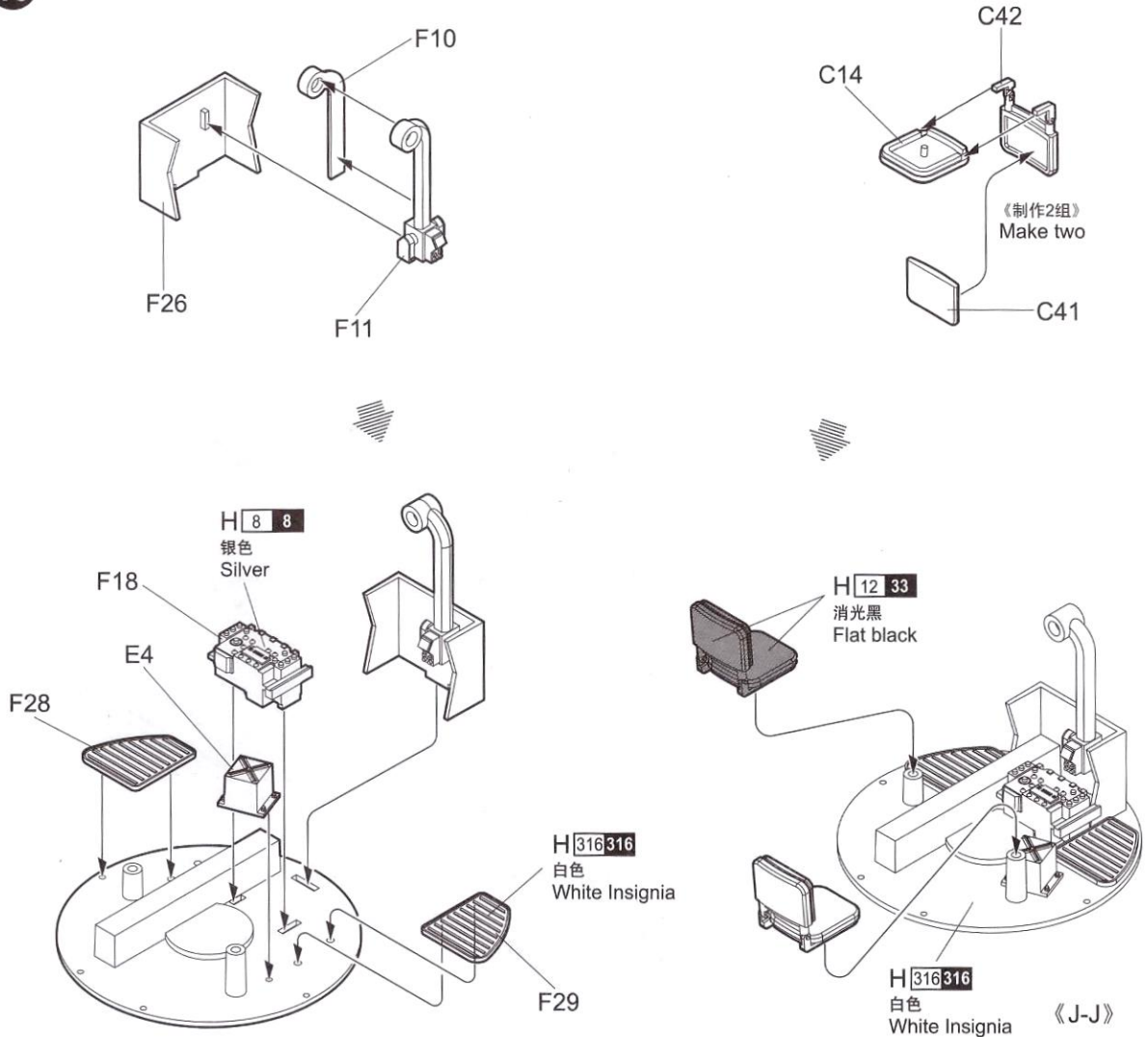
13



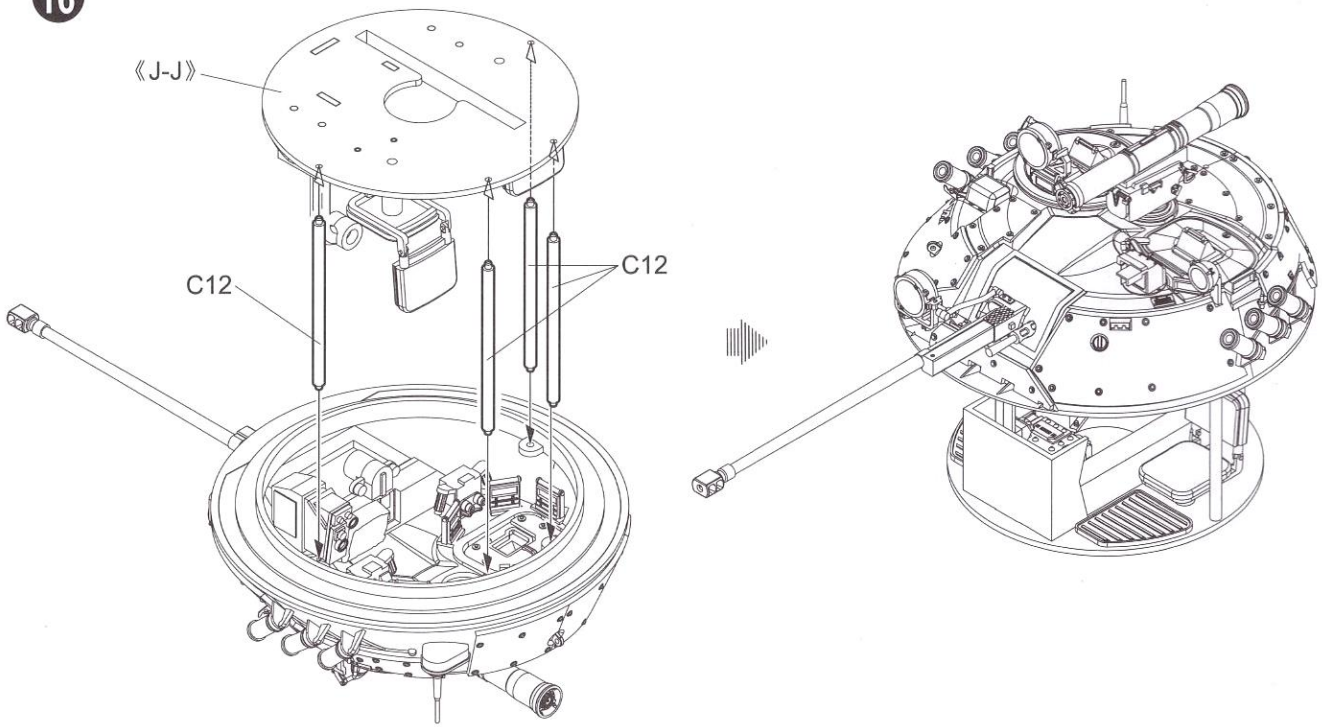
14



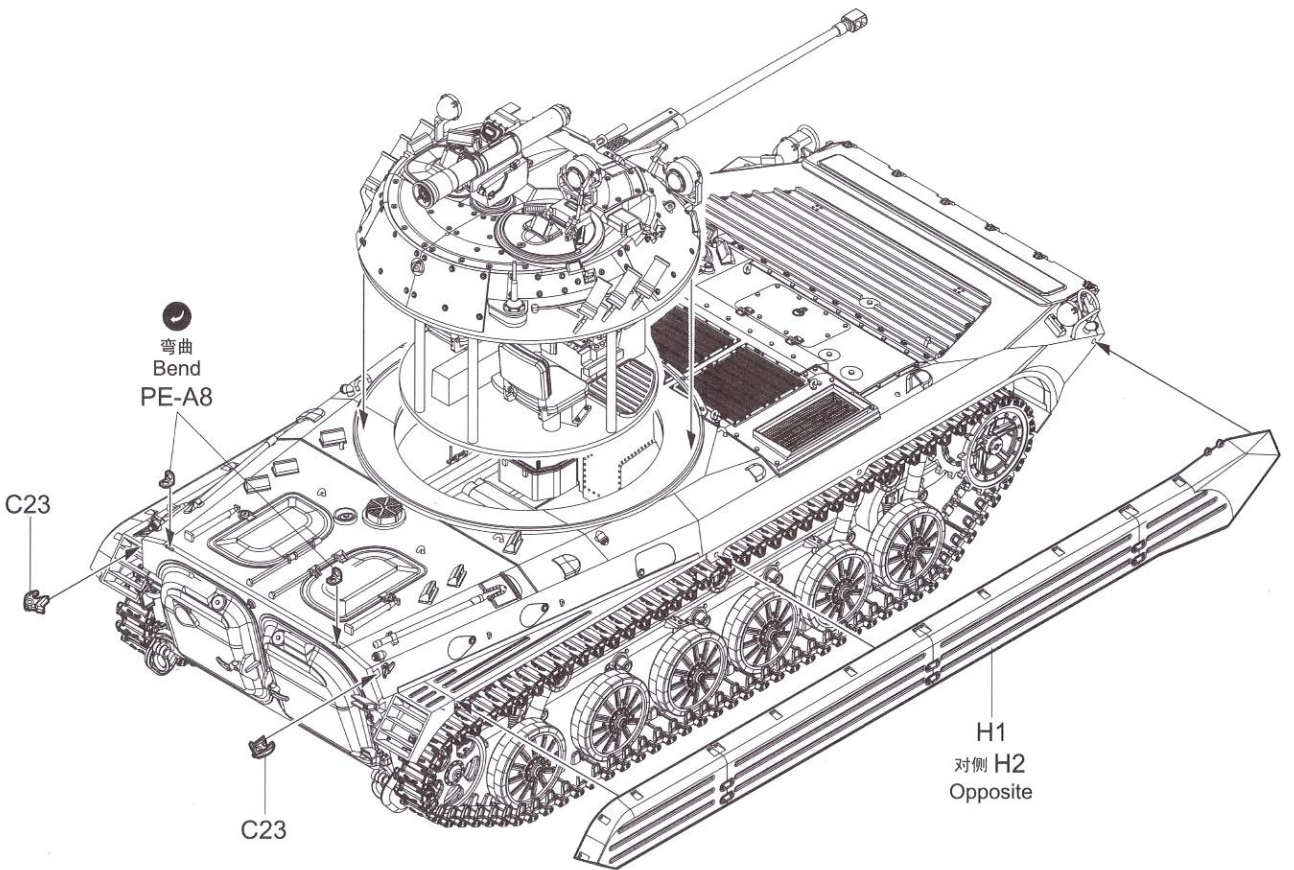
15

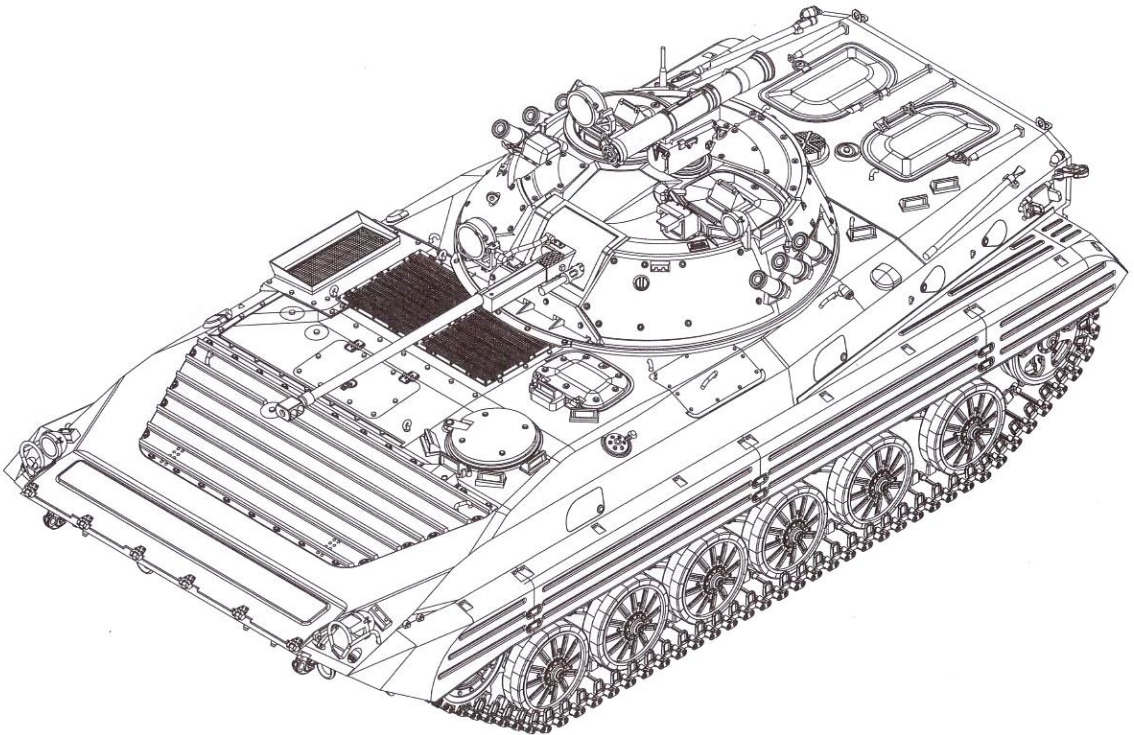
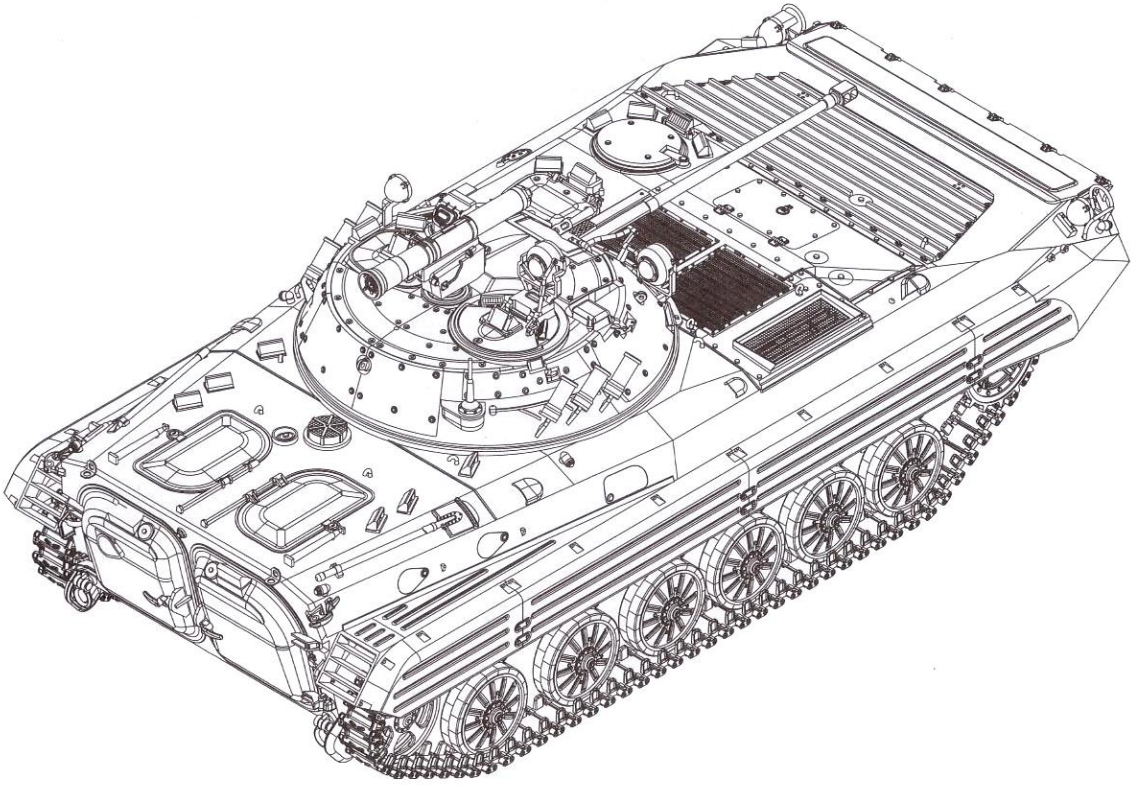


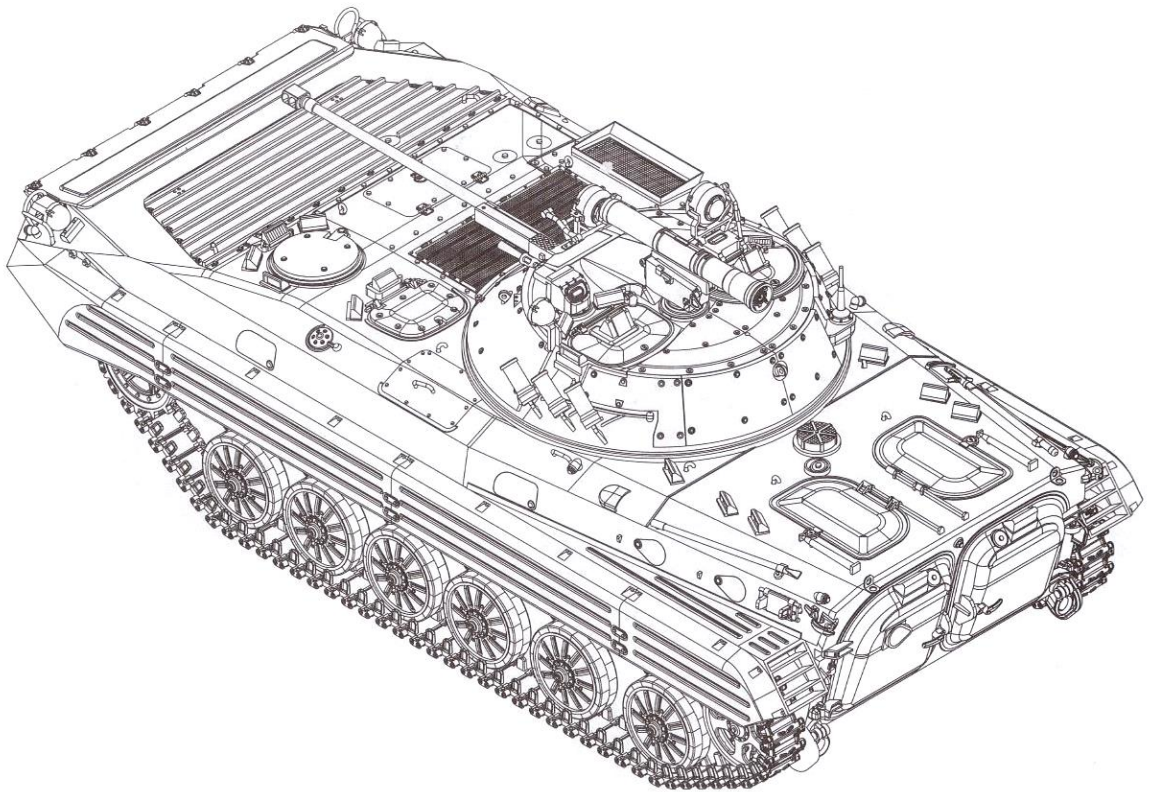
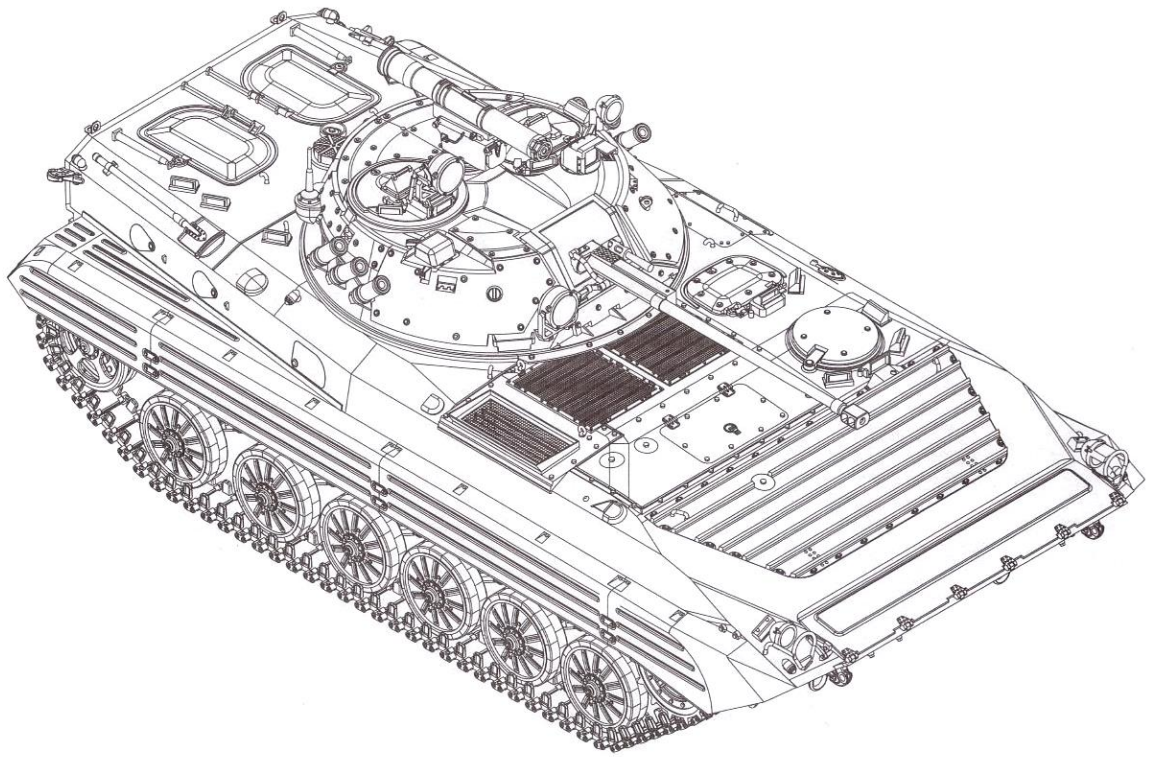
16



17







涂装同标贴指示

Painting & Marking guide

COLOR	AMMO OF MIG JIMENEZ	MR. HOBBY	MODEL MASTER	TAMIYA	HUMBROL
TIRE BLACK	A.MIG-033	H 77 137	—	—	—
GUN METAL	A.MIG-045	H 18 28	1402	—	—
RUST TRACKS	A.MIG-034	H 18 28	1402	—	—
CRYSTAL PERISCOPE	A.MIG-096	H 94	—	—	—
BLACK	A.MIG-046	H 2 2	1747	X1	21
ZIS 508 GREEN	A.MIG-932	H 303 303	1713	XF20	117
GRAY	A.MIG-059	H 306 306	1728	XF19	127
OLD WOOD	A.MIG-036	H 37 43	1701	—	186
LIGHT RED EARTH	A.MIG-923	H 810 810	1742	—	118

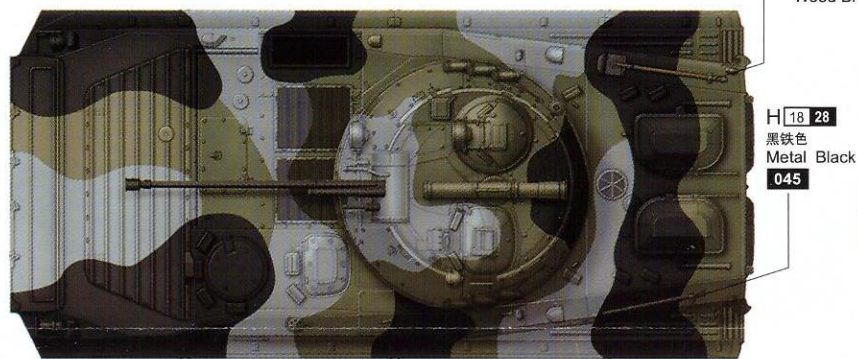
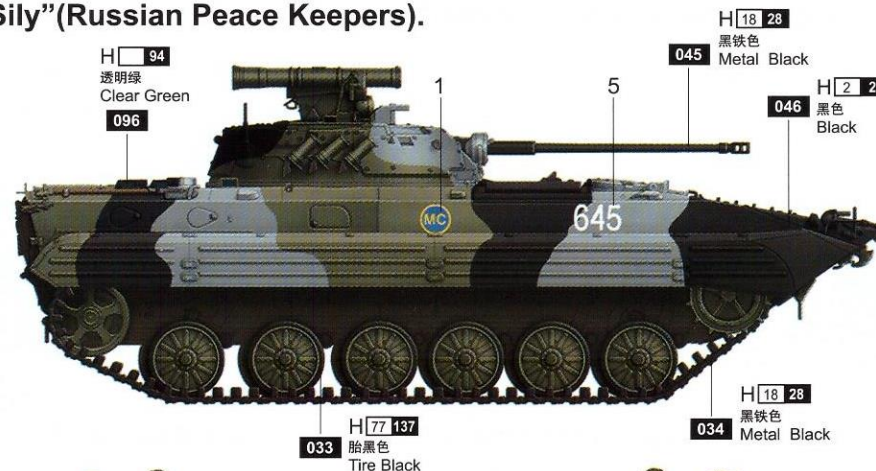
COLOR	AMMO OF MIG JIMENEZ	MR. HOBBY	MODEL MASTER	TAMIYA	HUMBROL
WASHABLE WHITE	A.MIG-024	H 57 73	—	—	—
SAND YELLOW	A.MIG-030	H 79 39	—	XF22	111
DARK RED EARTH	A.MIG-922	H 47 41	—	XF64	160
PKHV 512 GREEN	A.MIG-058	H 304 304	1711	XF62	155
DESERT SAND	A.MIG-029	H 19	—	—	—
KHV 518 GREEN	A.MIG-083	H 136 136	—	—	—
WHITE	A.MIG-047	H 316 316	1745	X2	22
DARK GREEN	A.MIG-915	H 302 302	1764	XF26	149
DUST	A.MIG-072	H 71 21	—	—	84

A

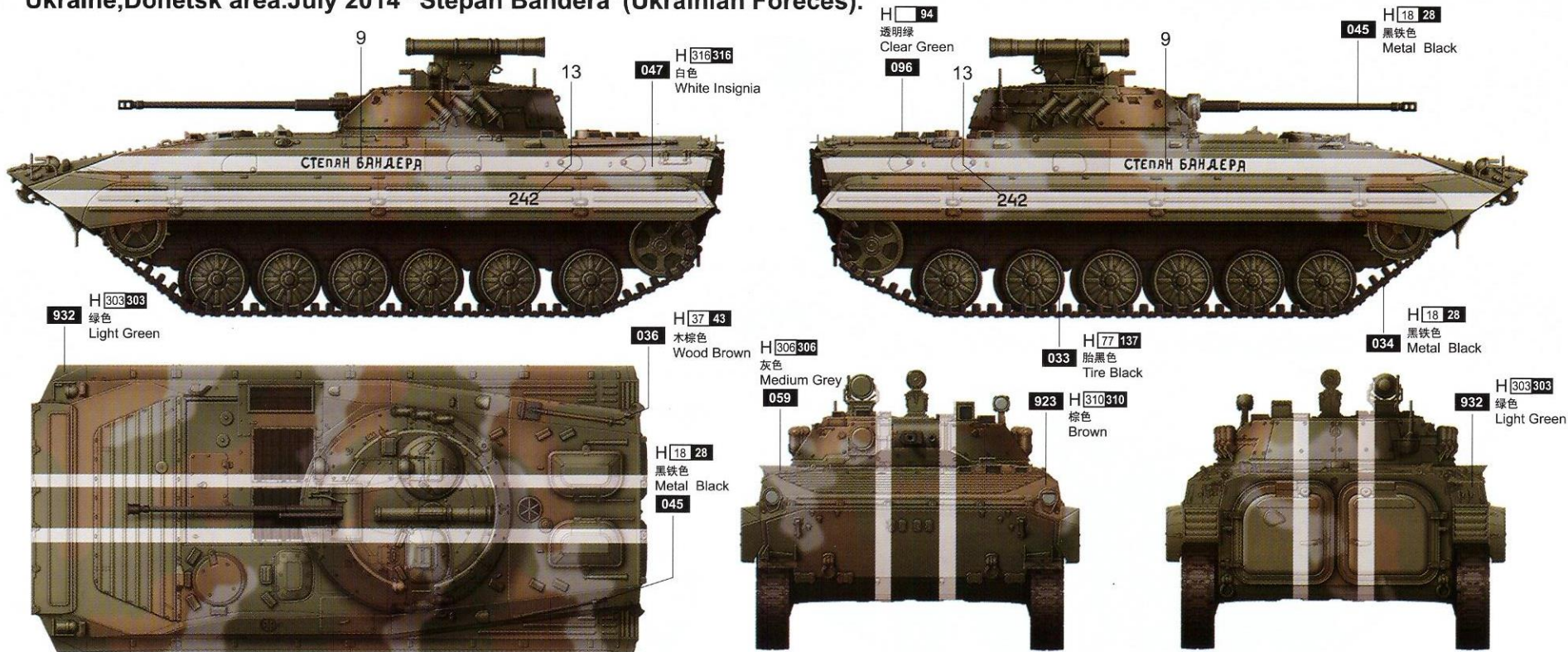


B

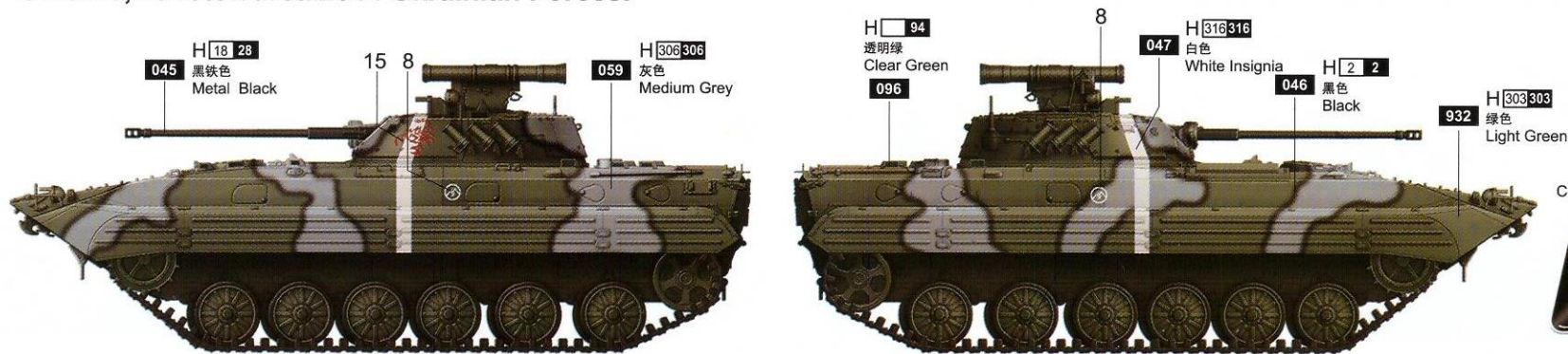
Georgia conflict, South Ossetia, August 2008 "Mirotvorcheskiye Sily" (Russian Peace Keepers).



C Ukraine, Donetsk area. July 2014 "Stepan Bandera" (Ukrainian Forces).



D Ukraine, Donetsk area. 2014 Ukrainian Forces.



Color information and profiles by



H X AQUEOUS HOBBY COLOR

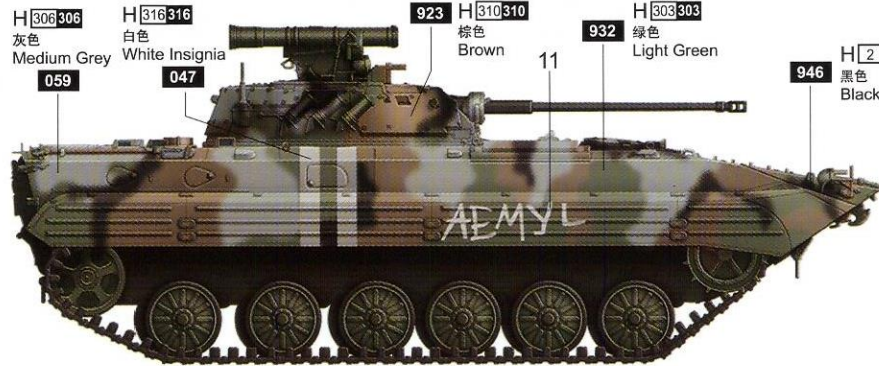
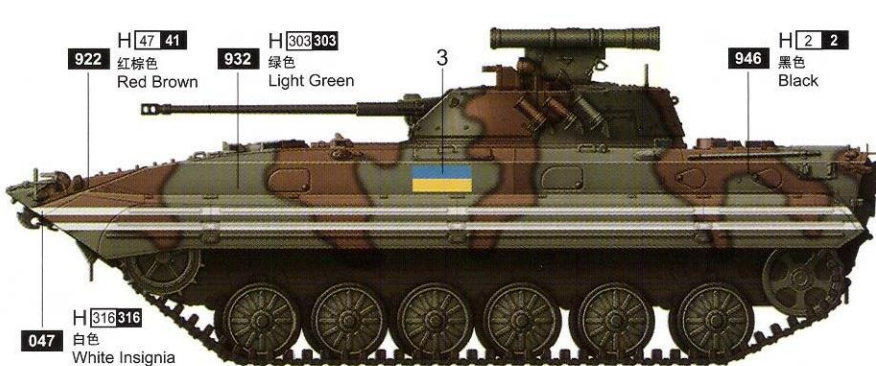
X Mr. COLOR

涂装同标贴指示

Painting & Marking guide

COLOR	AMMO OF MIG JIMENEZ	MR.HOBBY	MODEL MASTER	TAMIYA	HUMBROL
TIRE BLACK	A.MIG-033	H[77] 137	—	—	—
GUN METAL	A.MIG-045	H[18] 28	1402	—	—
RUST TRACKS	A.MIG-034	H[18] 28	1402	—	—
CRYSTAL PERISCOPE	A.MIG-096	H[] 84	—	—	—
BLACK	A.MIG-046	H[2] 2	1747	X1	21
ZIS 508 GREEN	A.MIG-932	H[303] 303	1713	XF20	117
GRAY	A.MIG-059	H[306] 306	1728	XF19	127
OLD WOOD	A.MIG-036	H[37] 43	1701	—	186
LIGHT RED EARTH	A.MIG-923	H[310] 310	1742	—	118

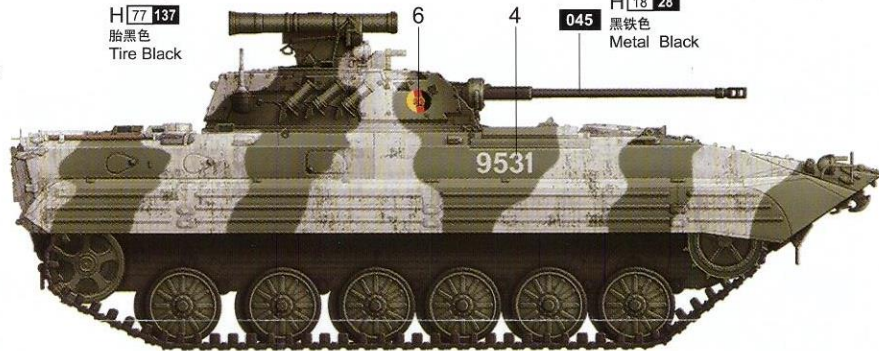
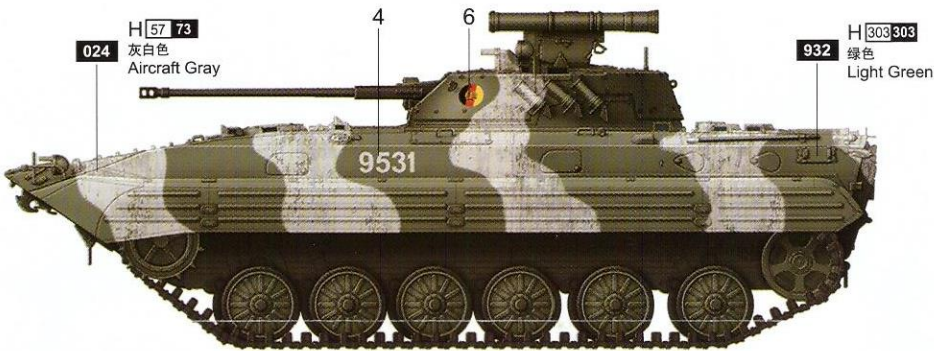
COLOR	AMMO OF MIG JIMENEZ	MR.HOBBY	MODEL MASTER	TAMIYA	HUMBROL
WASHABLE WHITE	A.MIG-024	H[57] 73	—	—	—
SAND YELLOW	A.MIG-030	H[79] 39	—	XF22	111
DARK RED EARTH	A.MIG-922	H[47] 41	—	XF64	160
PKHV 512 GREEN	A.MIG-058	H[304] 304	1711	XF62	155
DESERT SAND	A.MIG-029	H[] 19	—	—	—
KHV 518 GREEN	A.MIG-083	H[336] 136	—	—	—
WHITE	A.MIG-047	H[316] 316	1745	X2	22
DARK GREEN	A.MIG-915	H[302] 302	1764	XF26	149
DUST	A.MIG-072	H[71] 21	—	—	84



E Afghanistan War.80's Soviet Army.



East Germany.Winter 1988 GDR Guards Tank Regiment.



F

First Chechen War.Summer 1995 “AIDA”Soviet Army.



First Chechen War.August 1996“Sokoly Zhirinobskogo”Soviet Army



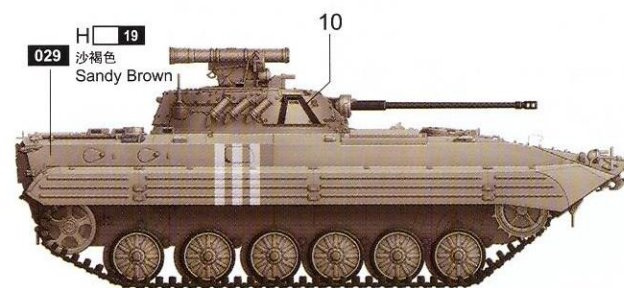
Ukraine,Donetsk area.2014 Ukrainian Forces



Syrian Uprising.May 2013 Syrian Republican Guard

**G**

Gulf War,Kuwait.1991 Kuwaiti Armed Forces.



Color information and profiles by



H X AQUEOUS HOBBY COLOR

X Mr. COLOR