

1/35 SCALE

ITEM NO.: 05597



# Russian SA-8 GECKO

## 俄罗斯萨姆-8“壁虎”防空导弹系统

### READ BEFORE ASSEMBLY:

- Study and understand these instructions thoroughly before beginning assembly
- When needed, remove photo-etch parts carefully using a modeling knife or photo etch sprue cutter, being careful not to damage or lose small parts.
- Take extra care in handling photo etch parts in order to avoid injury
- Apply instant cement sparingly to photo etch parts where instructed
- Tools recommended(not included in kit):Plastic and instant cements, sprue cutters,long nose pliers,modeling knife, small files, tweezers, pin vise & scissors. Soft cloth and sandpaper will also assist in construction
- Glue and paint are not included in the kit. Use plastic cement and hobby paints only. Color guide for purchasing paint is included in the kit.

### 装配之前仔细阅读

- 小心用模型锉刀锉平所有零件表面的注射浇口。
- 小心用刀片切下蚀刻片零件，不要遗失小零件。
- 用强力快干胶水粘合蚀刻片零件和金属轴。过量快干胶水使用可能导致可动零件会粘住，小心涂胶。
- 取蚀刻片时应特别注意安全，防止利边划伤手指。
- 某些零件表面需贴上水贴纸，请选择在装配的同时进行。
- 推荐模型工具(自备)：胶水，水口剪刀，长咀钳，刀片，锉刀，镊子，钳，钻，剪刀，瞬间快干胶。
- 软布同砂纸同时也应该是必备工具。
- 请使用塑料胶水和油漆，模型内不含。



配重  
Weight



使用强力胶  
Cyanoacrylate glue



钻孔  
Make hole



切除  
Cut / Remove



贴纸  
Decal



锉平。  
File / Sand



选择  
Option



不涂胶水  
No cement



弯曲  
Bend

### 水贴纸的使用:

- 1.从水贴纸上剪下印花;
- 2.将印花放入温水中浸10秒, 然后放在干净布上。
- 3.拿着印花纸板将印花移到模型上;
- 4.手指蘸水将印花移到适当的位置;
- 5.用软布轻压印花直至水干, 汽泡消失

### DECAL APPLICATION

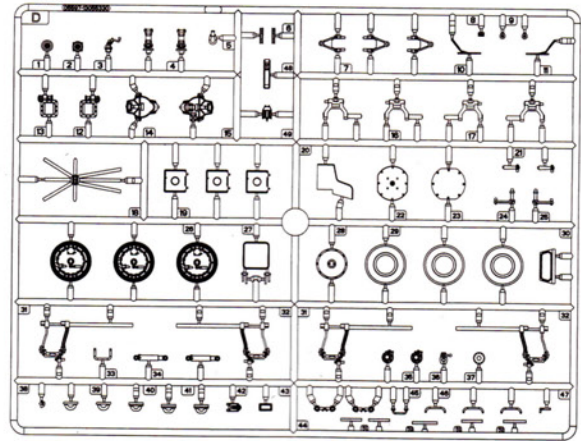
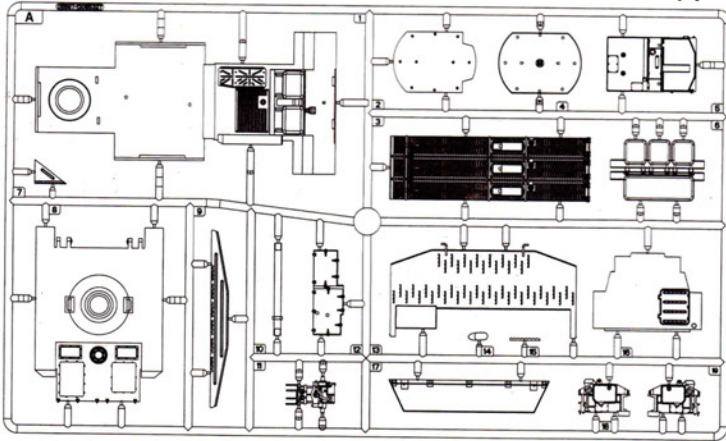
- 1.Cut decals from sheet as needed
- 2.Dip the decal in warm water for about 10 seconds and then place on soft clean cloth.
- 3.Hold the decal backing sheet edge and gently slide the decal onto the model in its proper position.

- 4.While still wet,decal can be adjusted for better fit on model by dampening it gently with your finger.
- 5.When placed in the proper position,gently press decal down with a soft cloth until excess water and air bubbles are gone.
- 6.Allow decal to dry completely before handling model

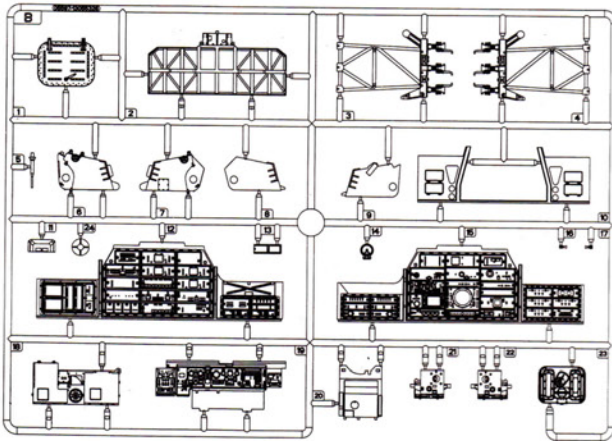
# 部品图 Parts

A

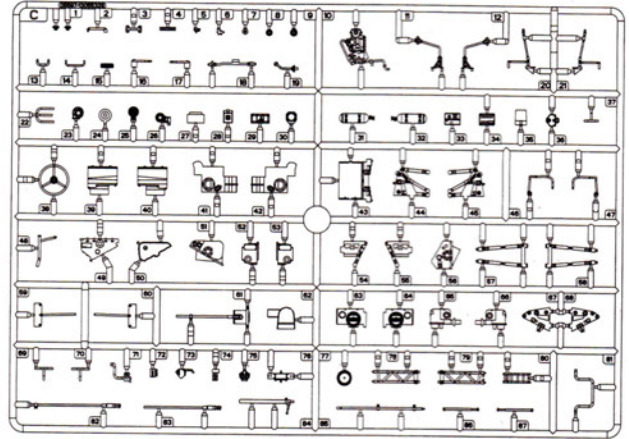
DX2



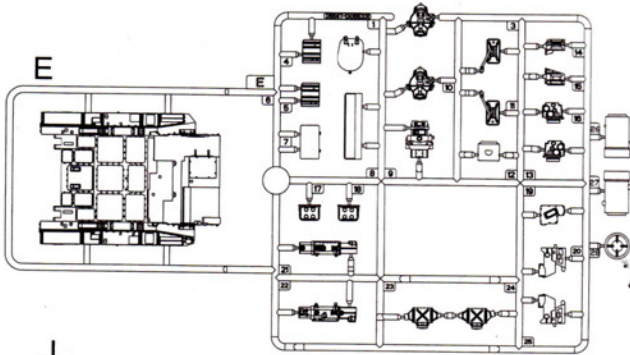
B



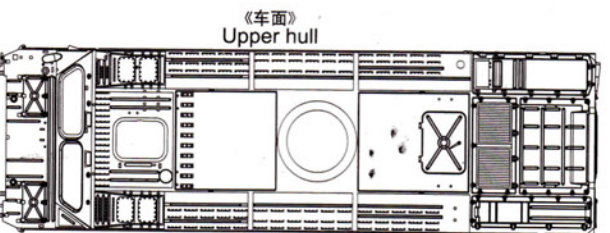
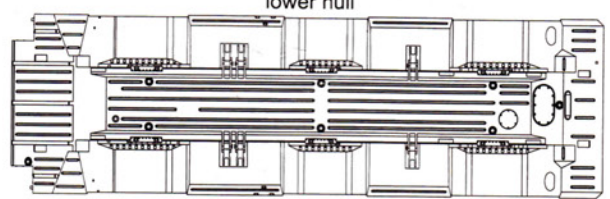
C



E



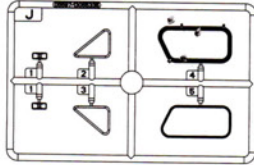
《车底》  
lower hull



《车面》  
Upper hull

切除  
Cut / Remove

J



A20



F1x2



F2



《轮胎》  
Tyre x6

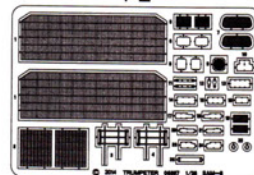


《铜丝》  
Brass Wire



∅0.5x80mm

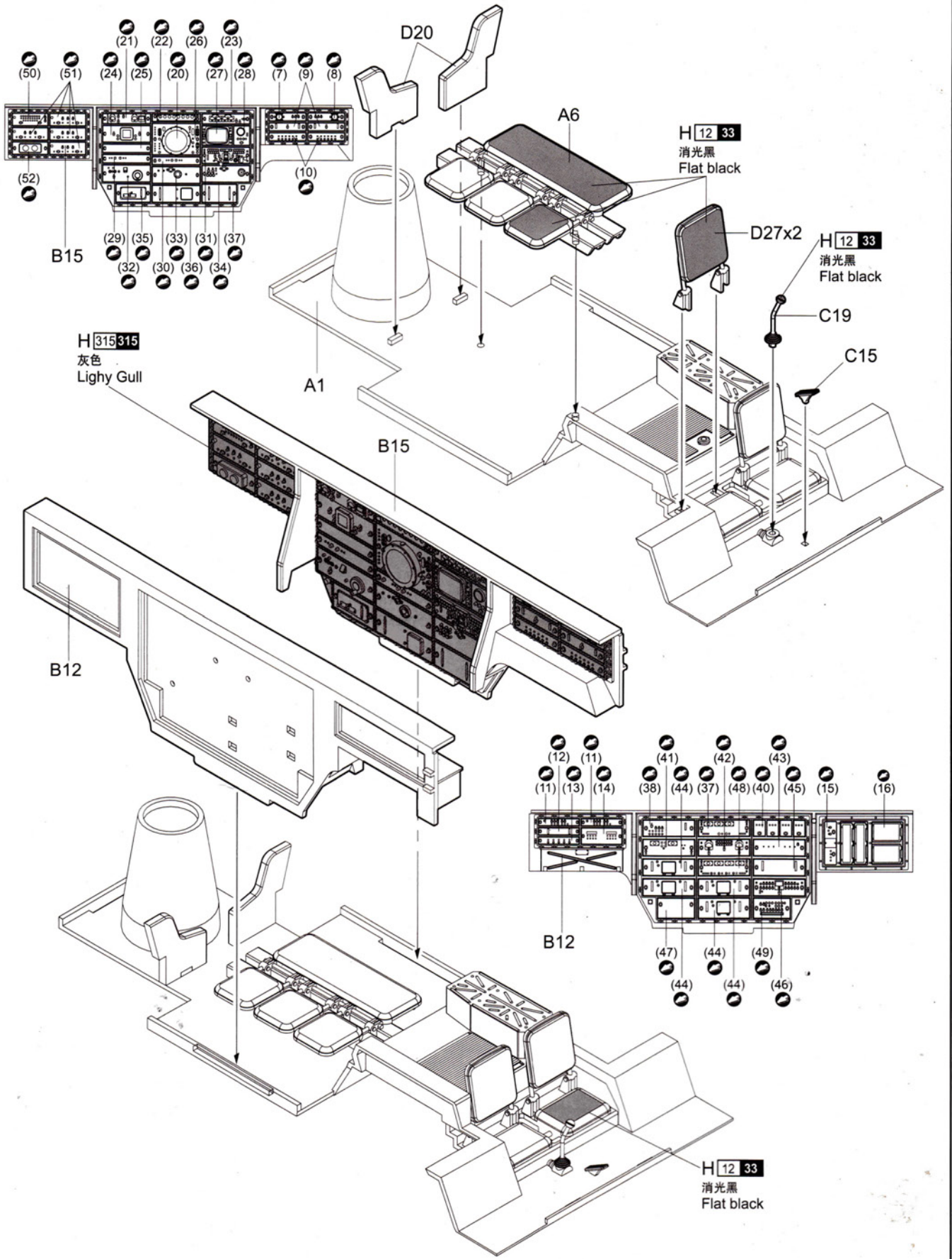
《蚀刻片》  
PE



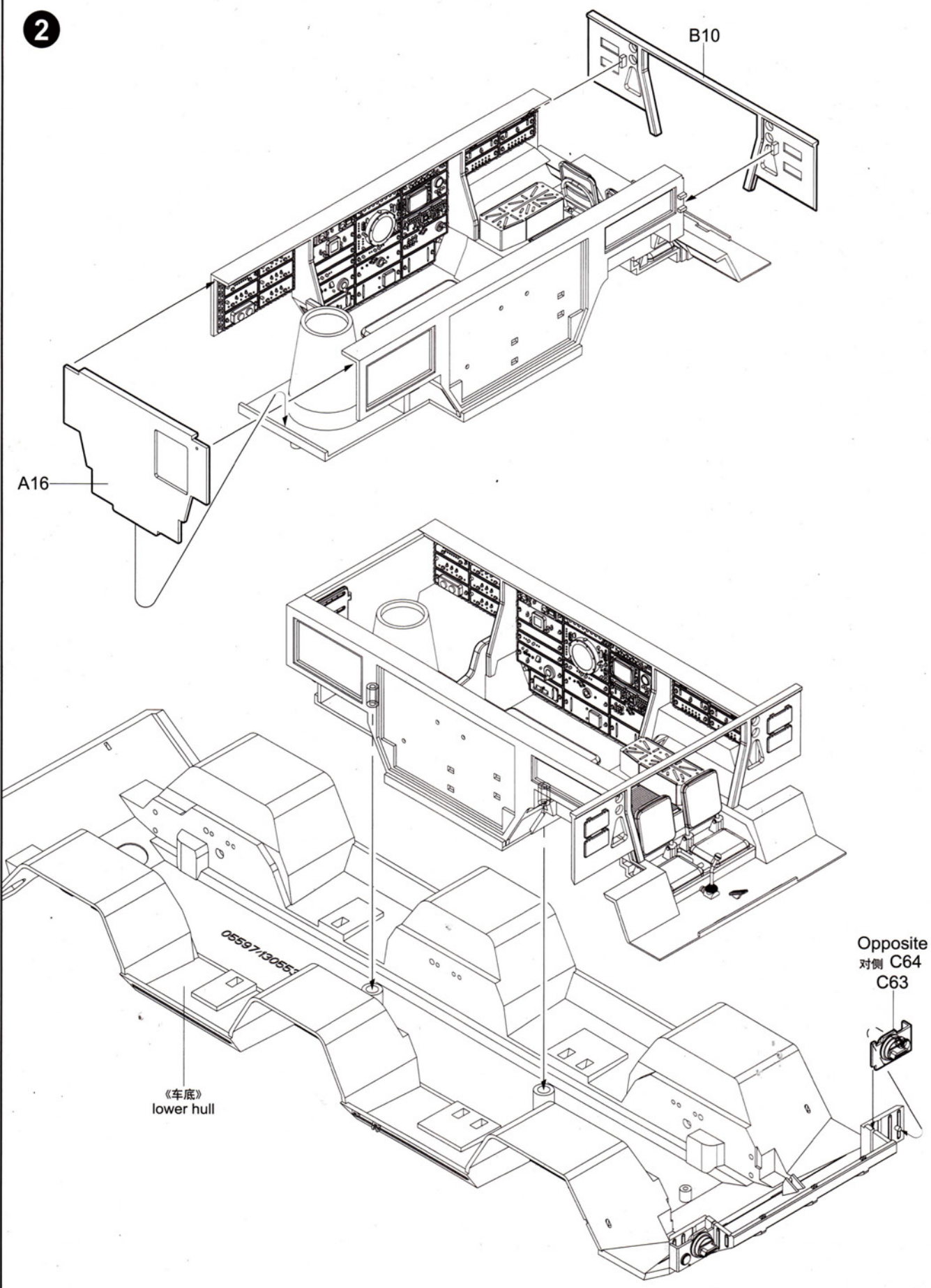
《水贴》  
Decal



1



2



B10

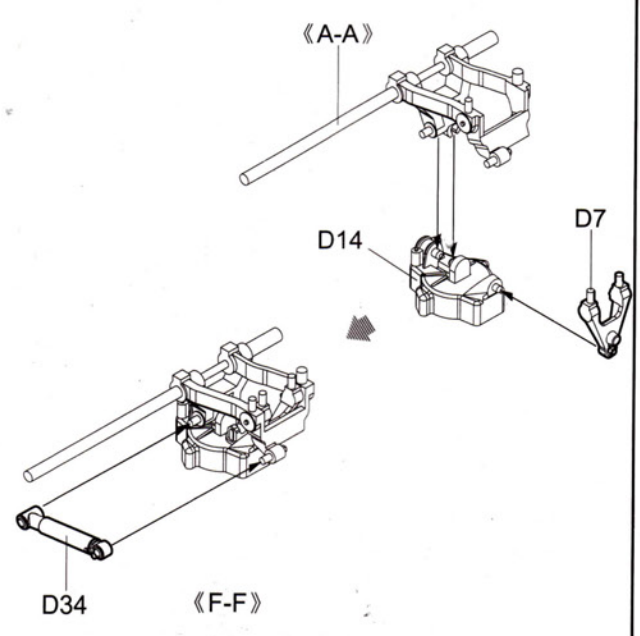
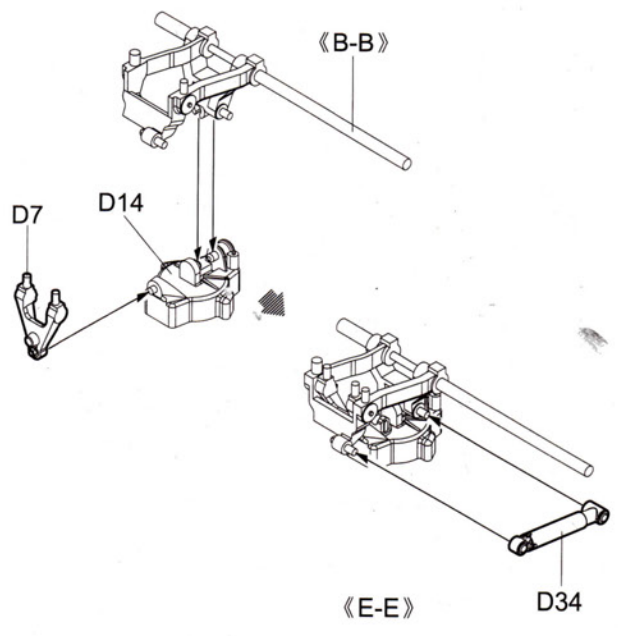
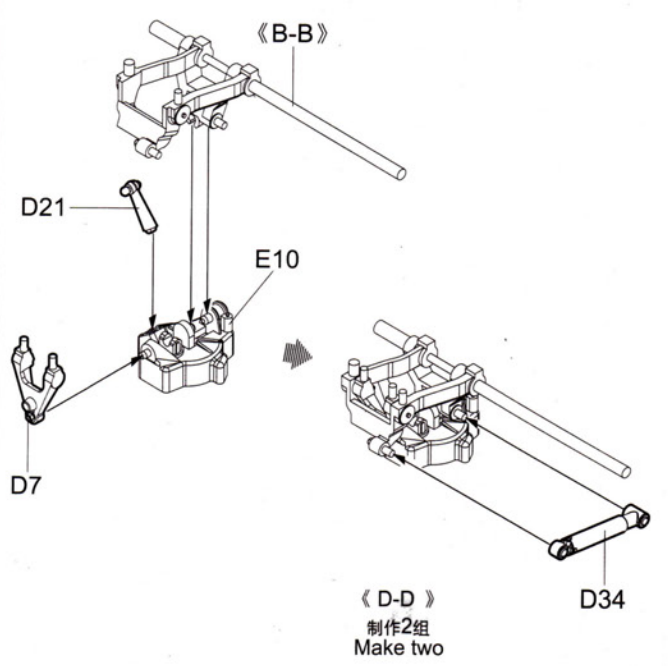
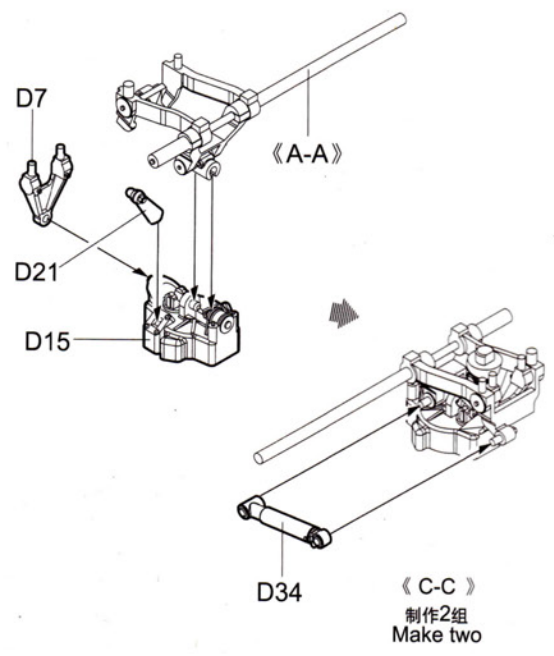
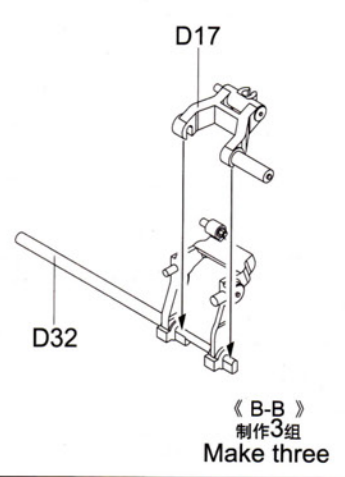
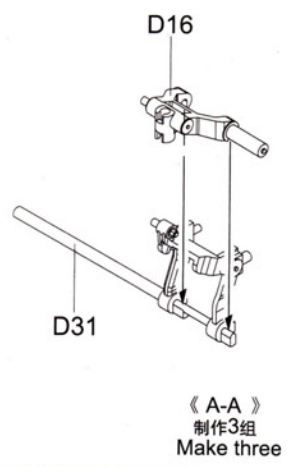
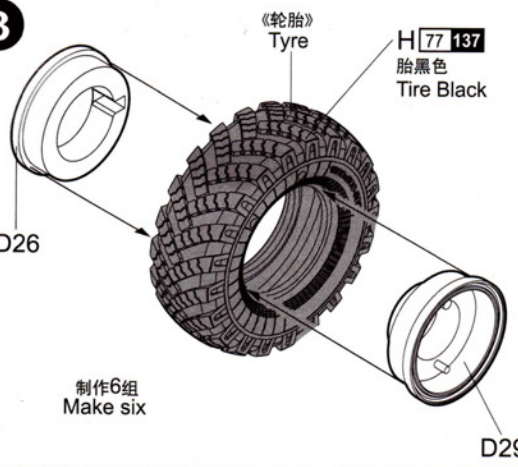
A16

0559713055

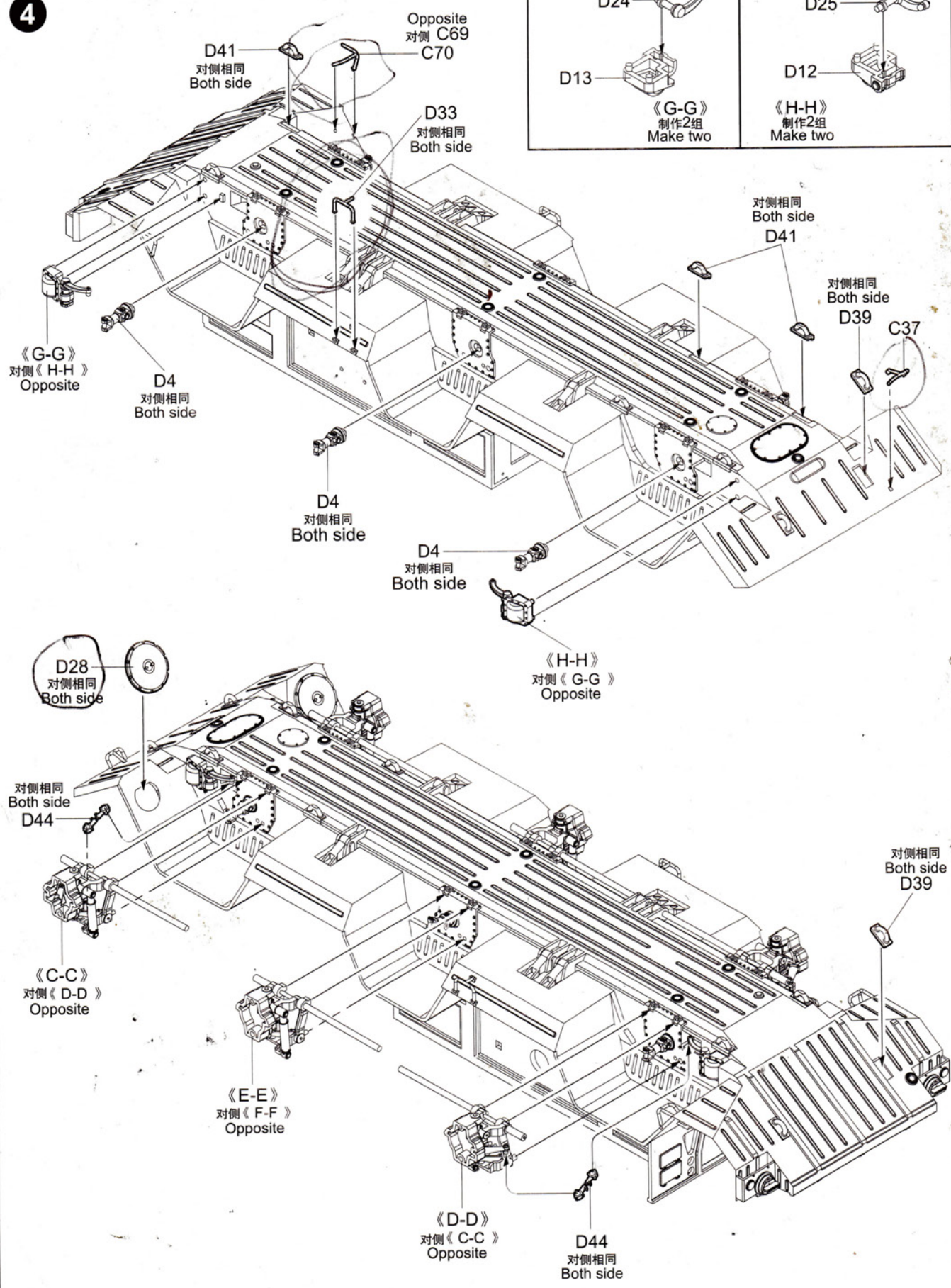
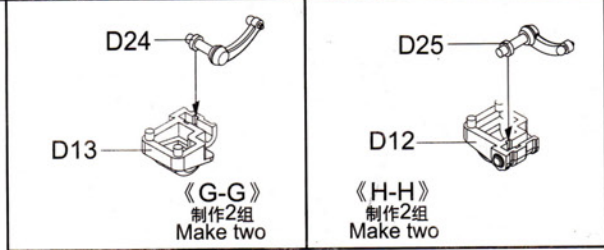
《车底》  
lower hull

Opposite  
对侧 C64  
C63

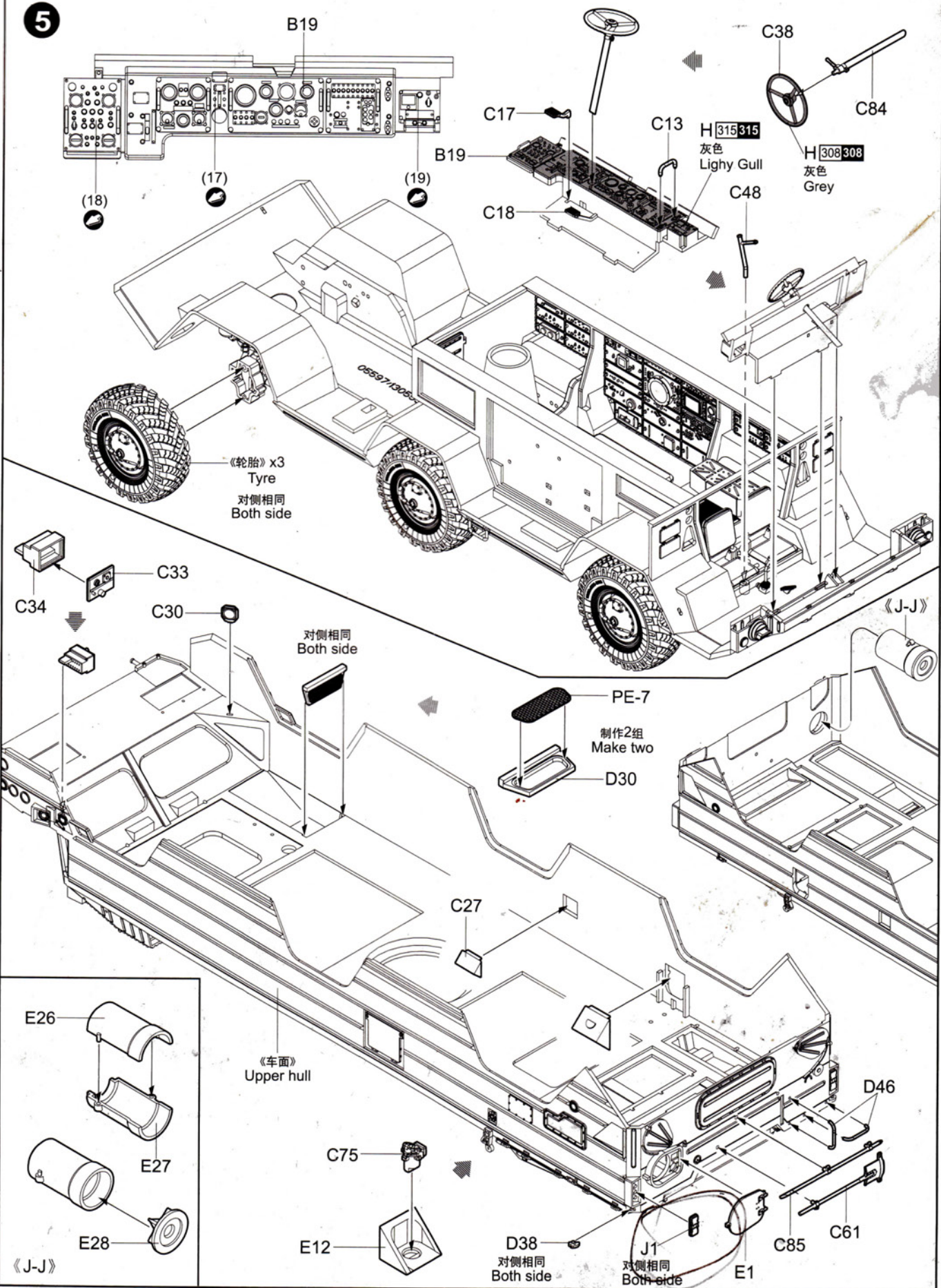
3

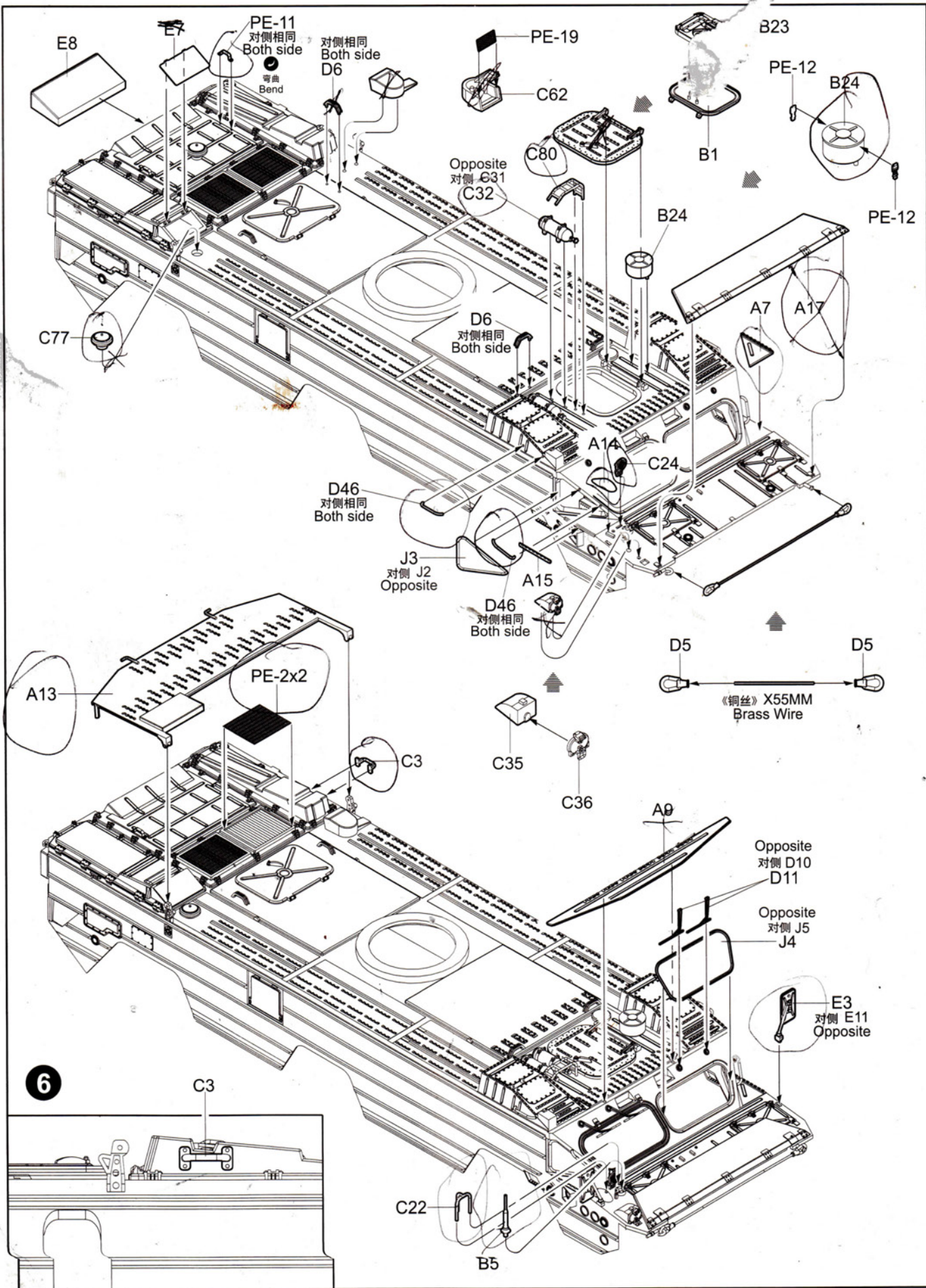


4



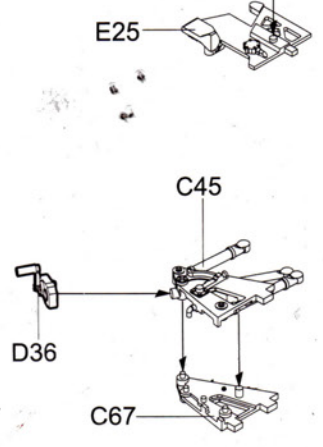
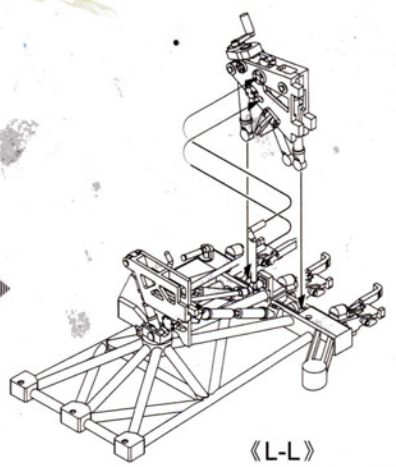
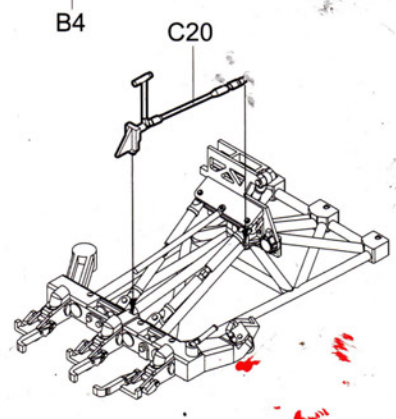
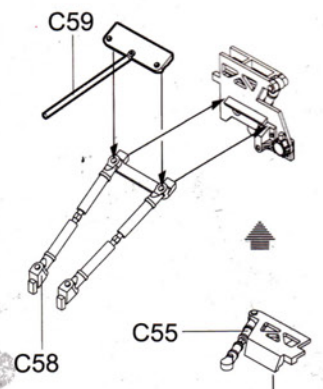
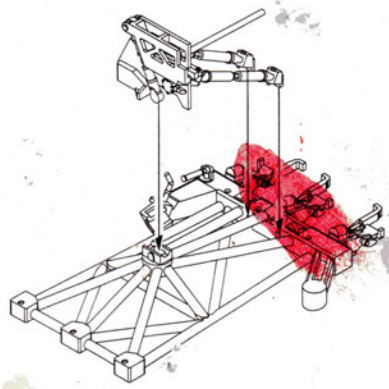
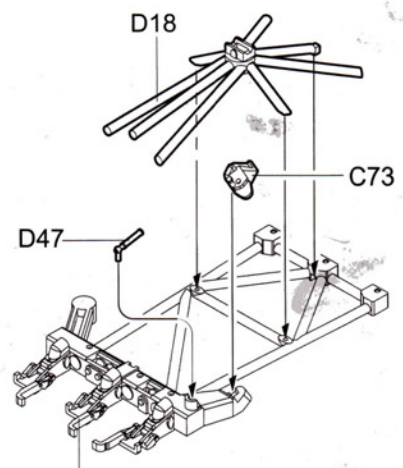
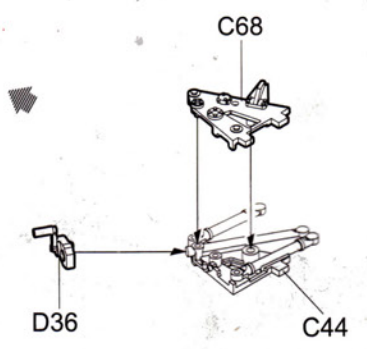
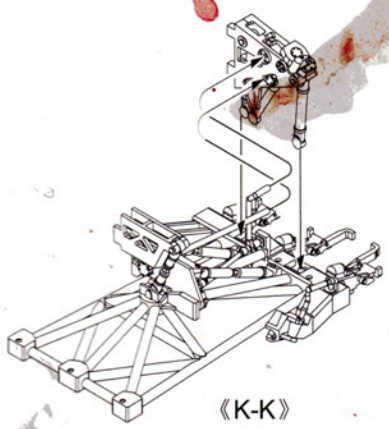
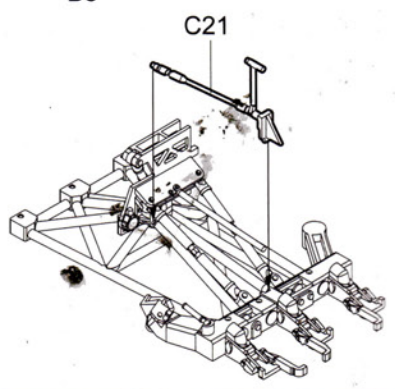
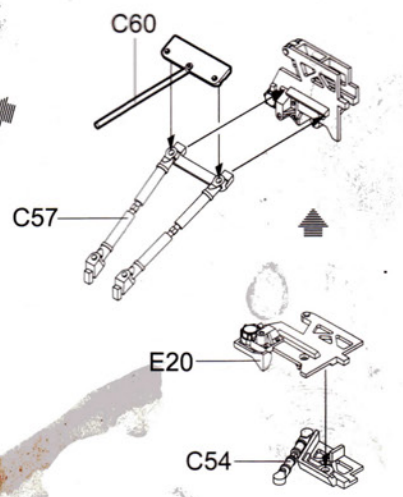
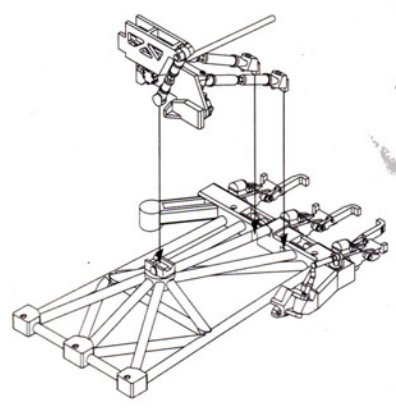
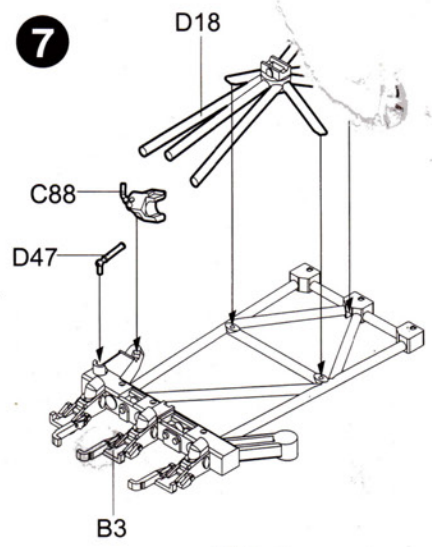
5





6

7



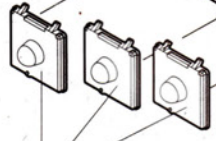
8

A3 or A20

F1

《L-L》

制作2组  
Make two



D19

《K-K》

《M-M》

《N-N》

A11

C7

E9

C89

E19

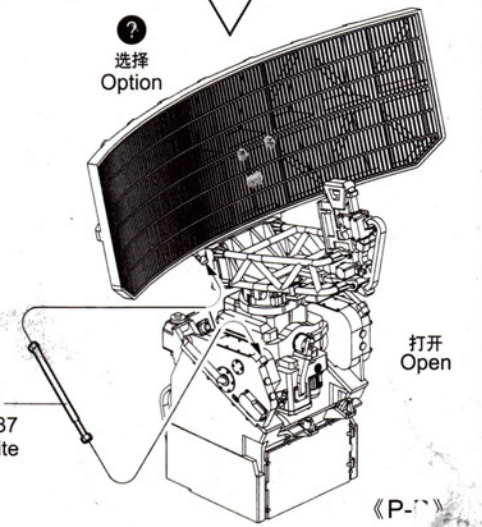
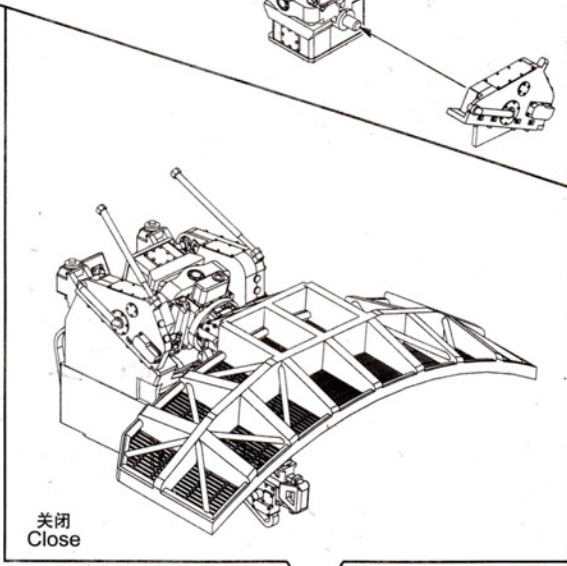
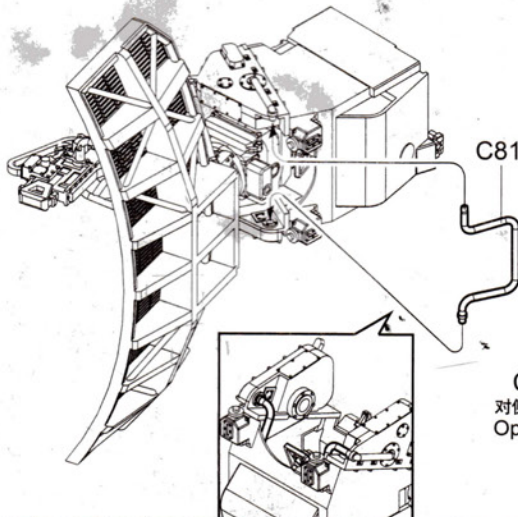
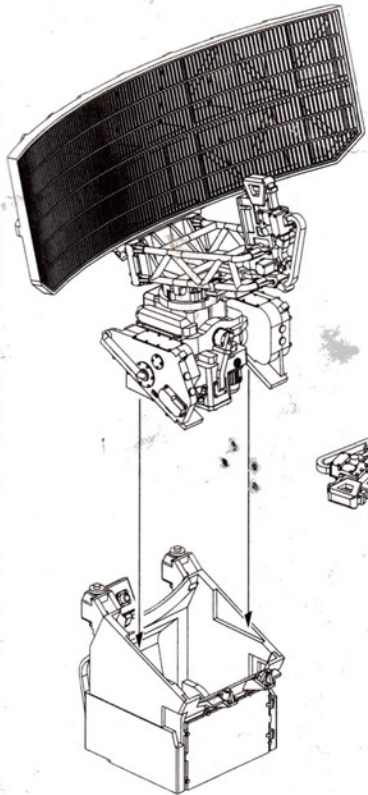
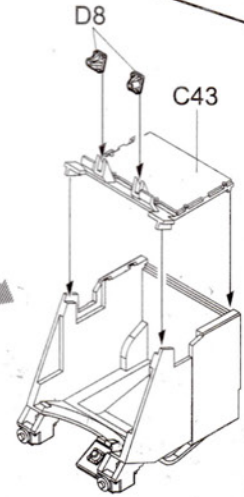
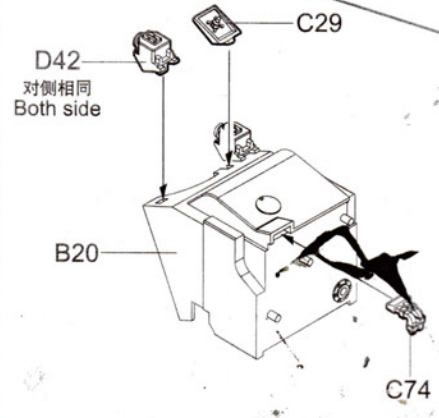
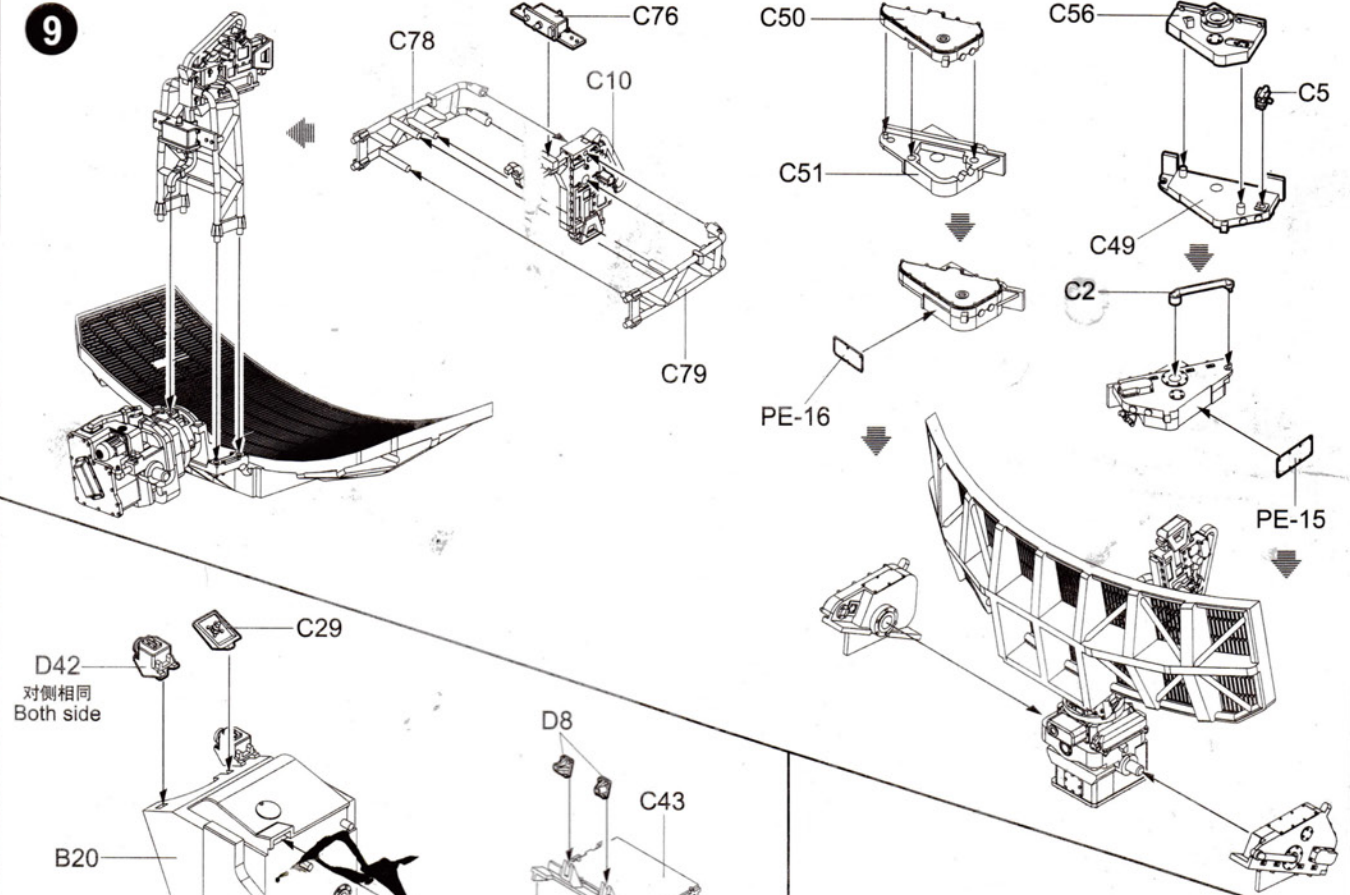


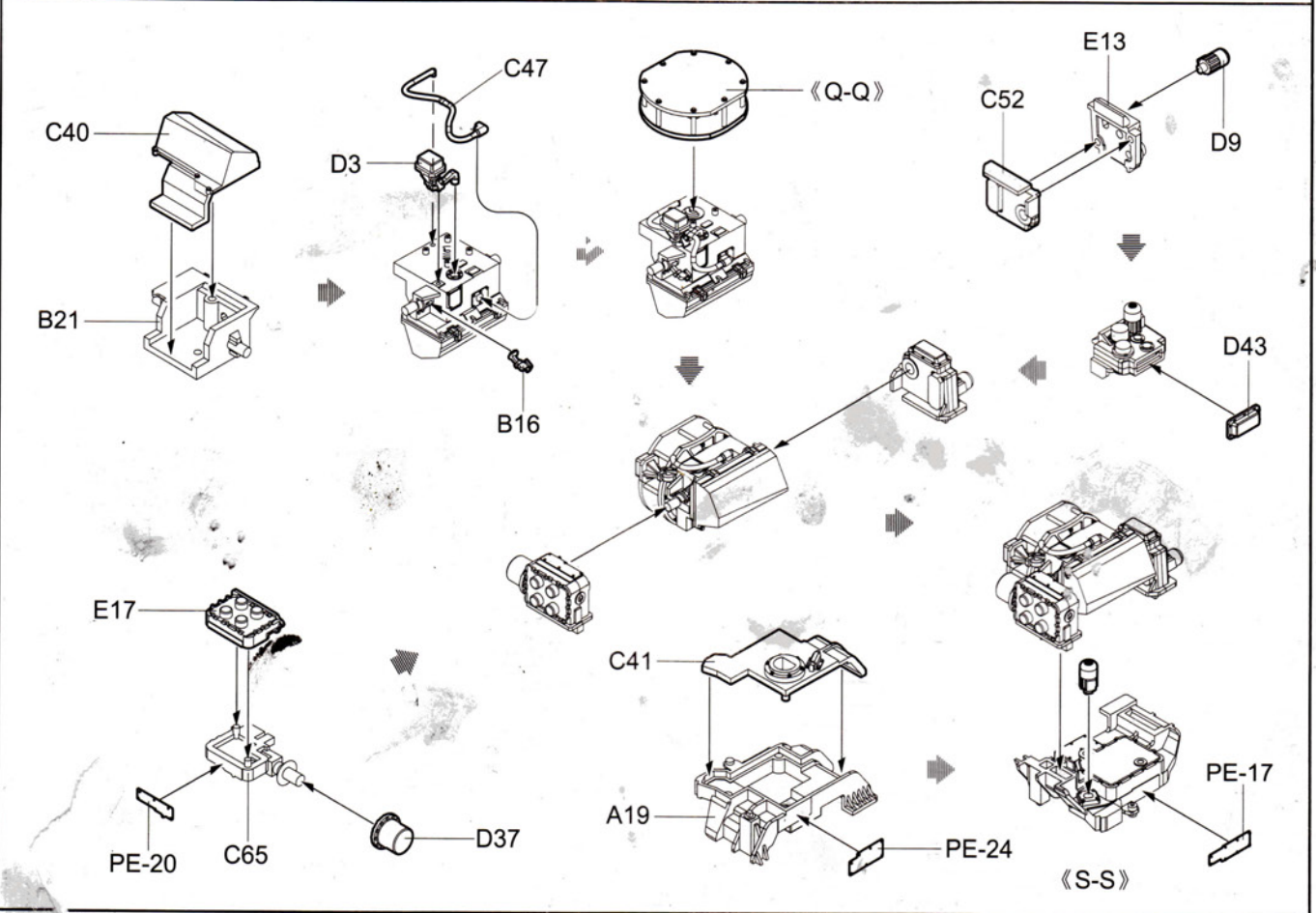
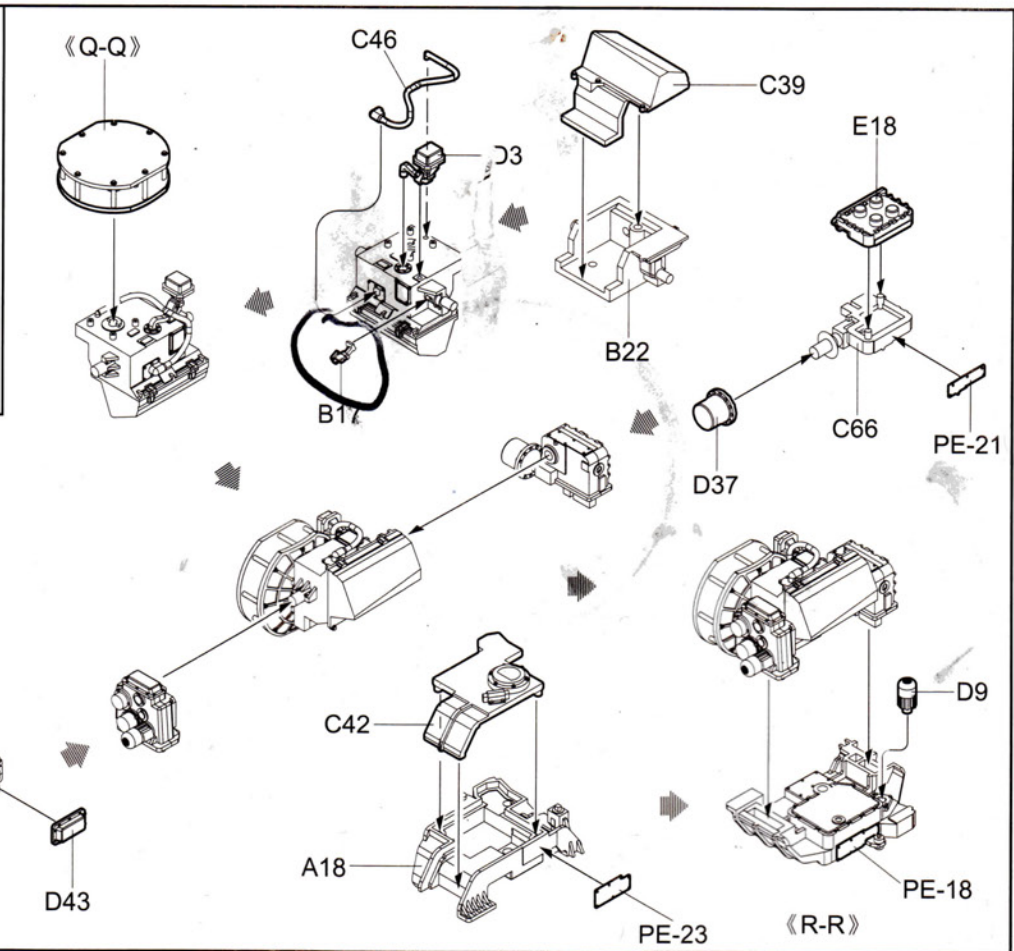
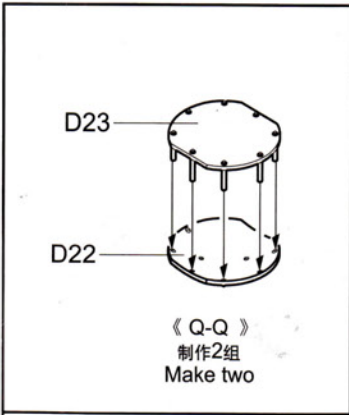
弯曲  
Bend

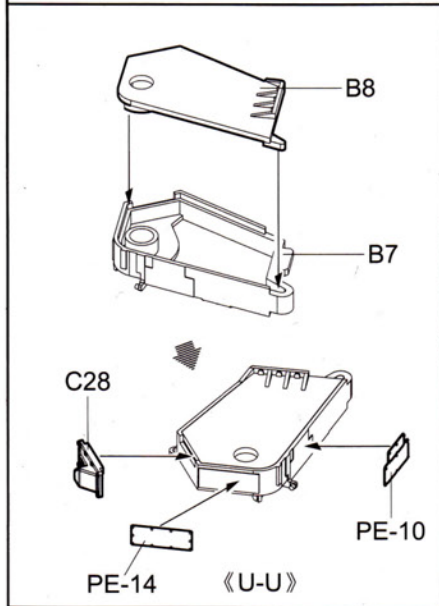
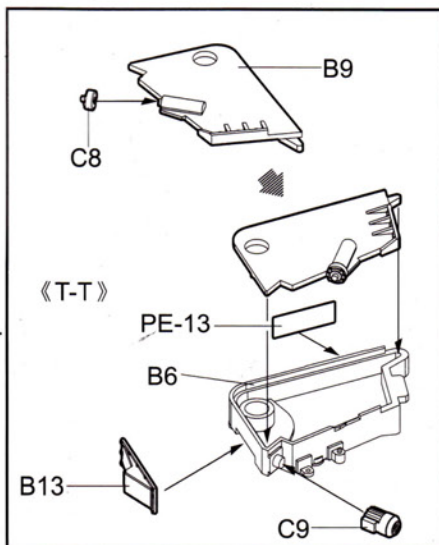
PE-1

B2

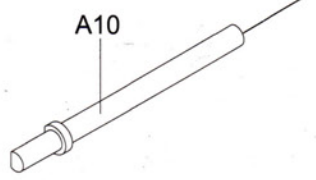
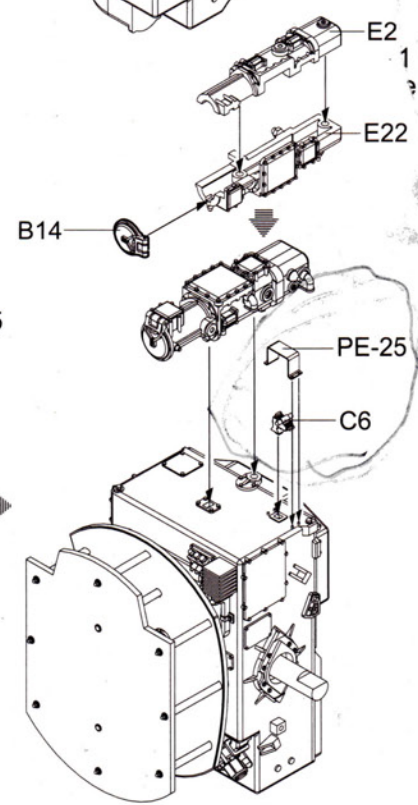
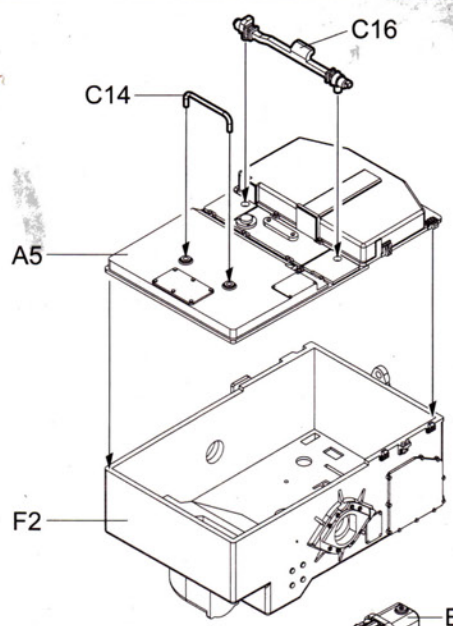
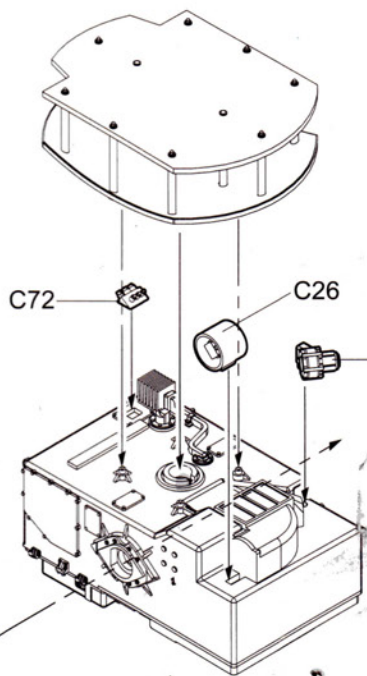
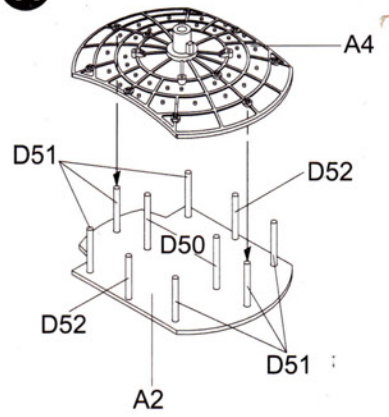
9



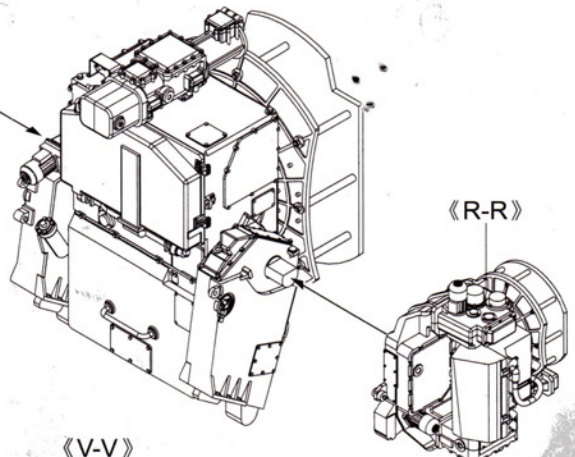
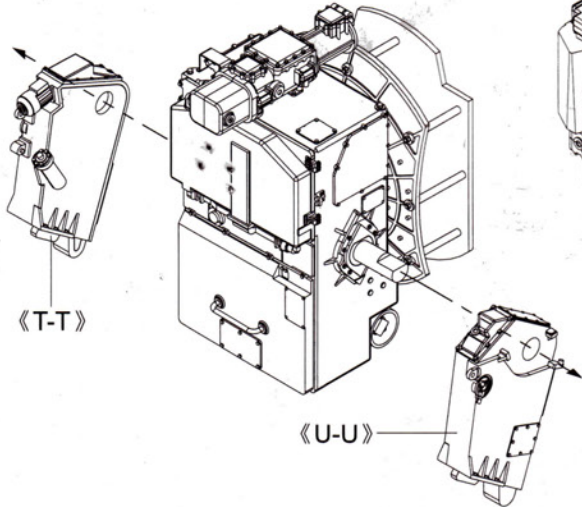
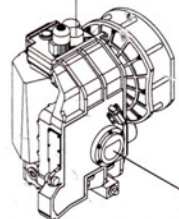




**11**



«S-S»



12

对侧相同  
Both side  
PE-8

对侧相同  
Both side  
PE-6

对侧相同  
Both side  
D45

D48  
对侧相同  
Both side

D49

A8

B18

PE-9

C71

E2

D35

E24

D35

PE-5

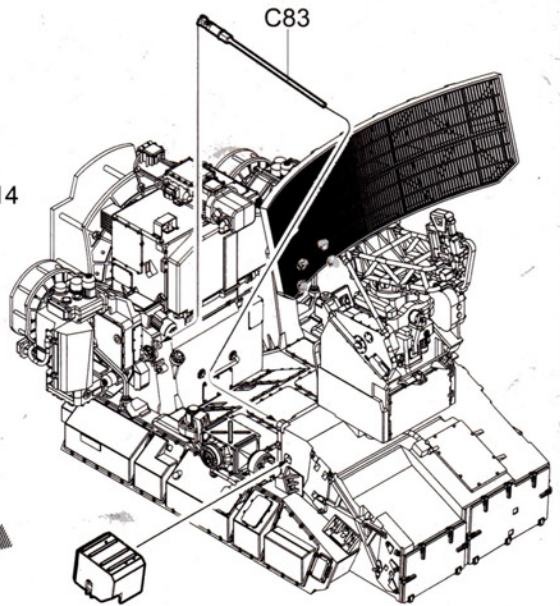
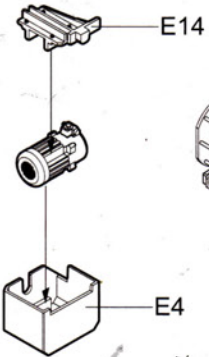
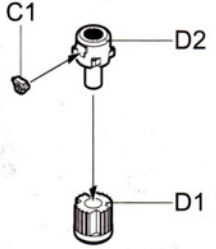
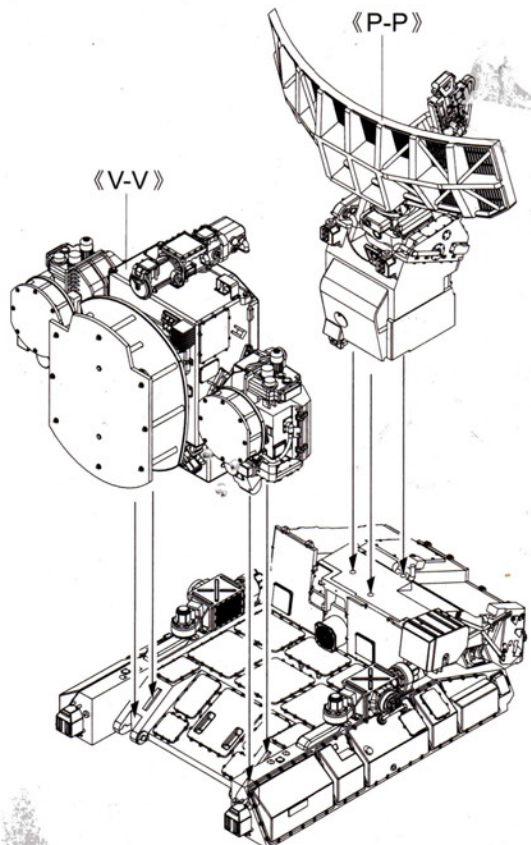
E23

C23

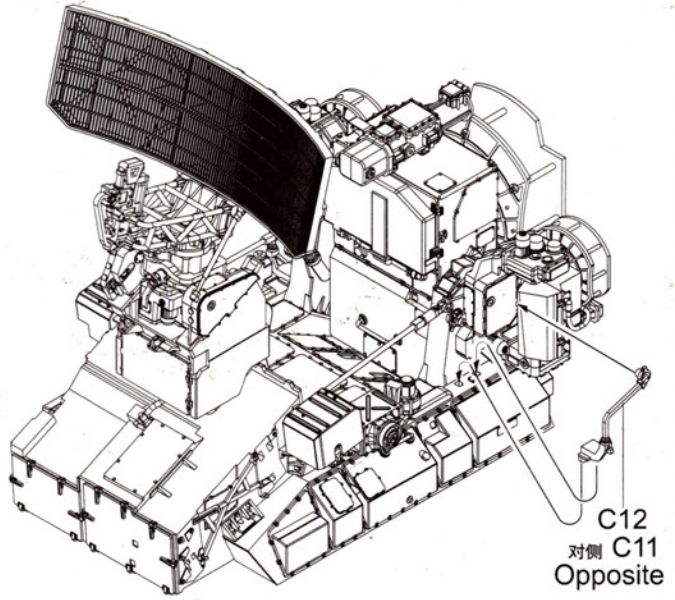
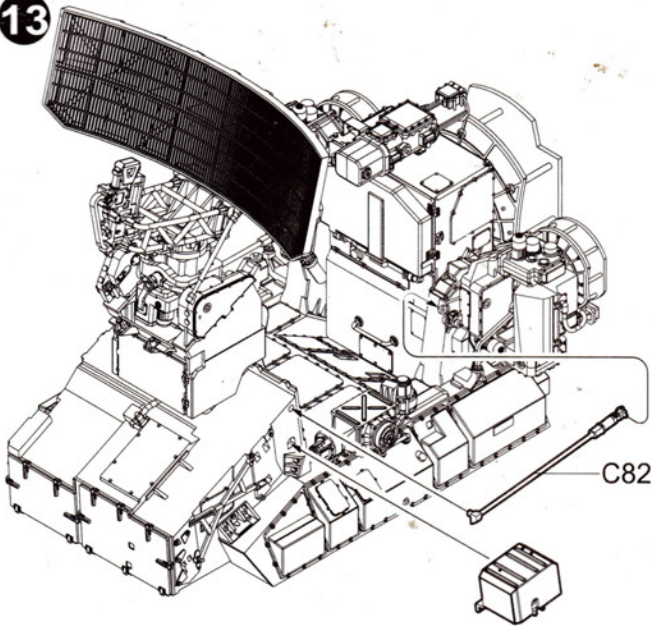
D35

PE-5

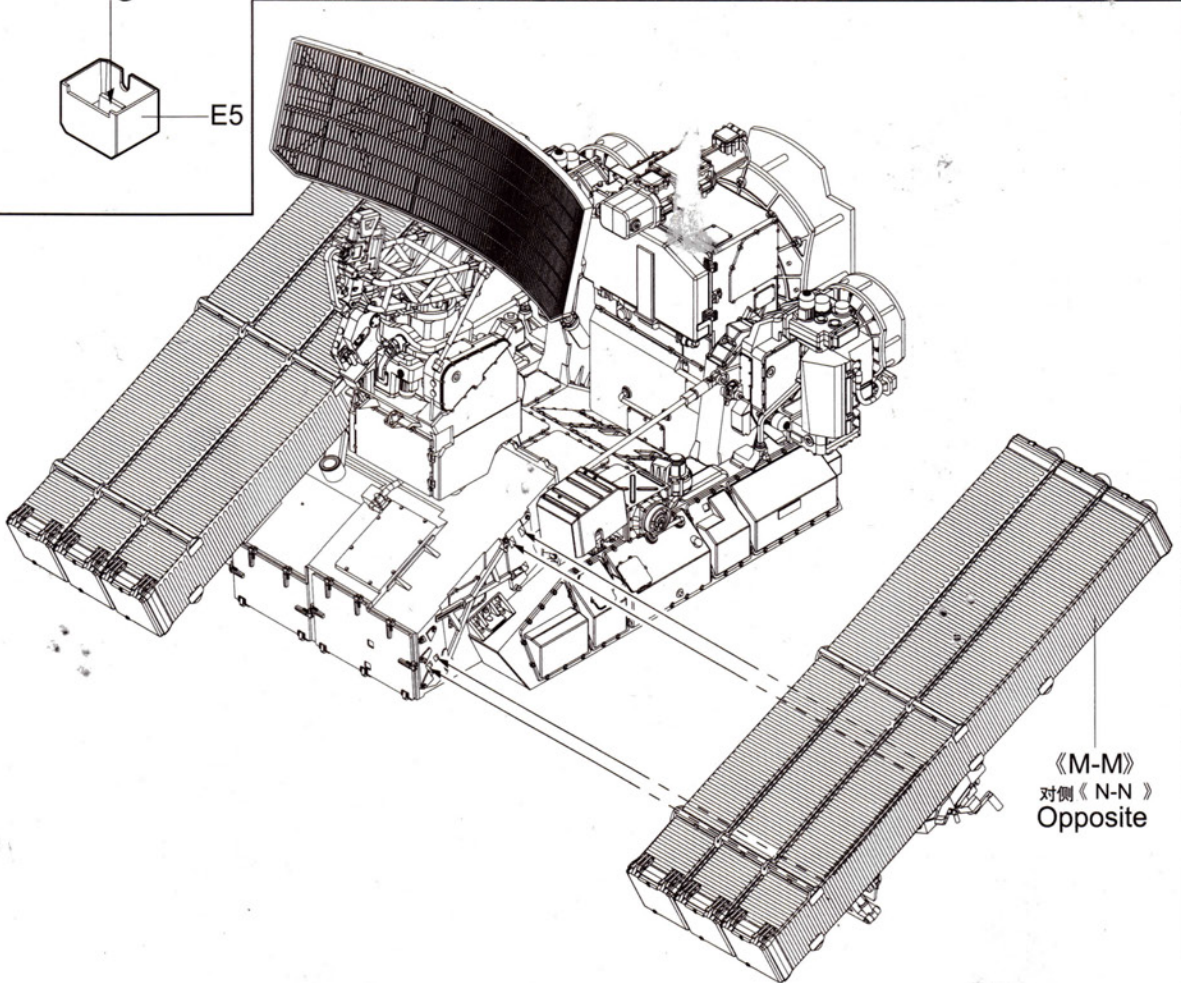
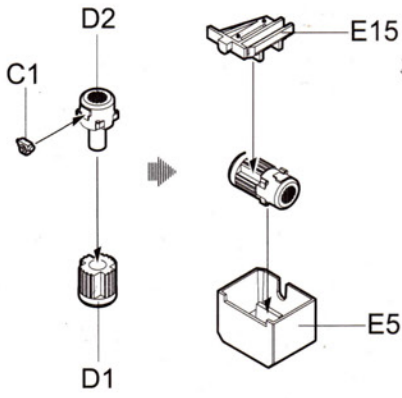
A12



13

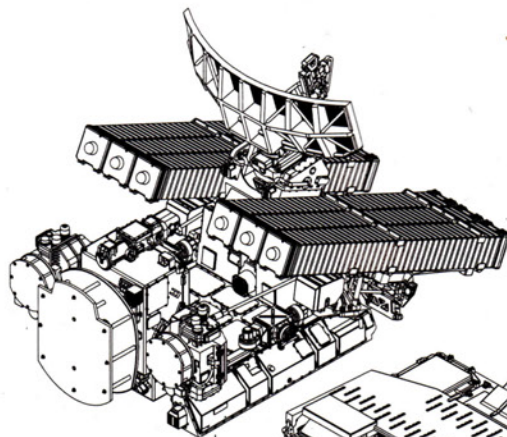
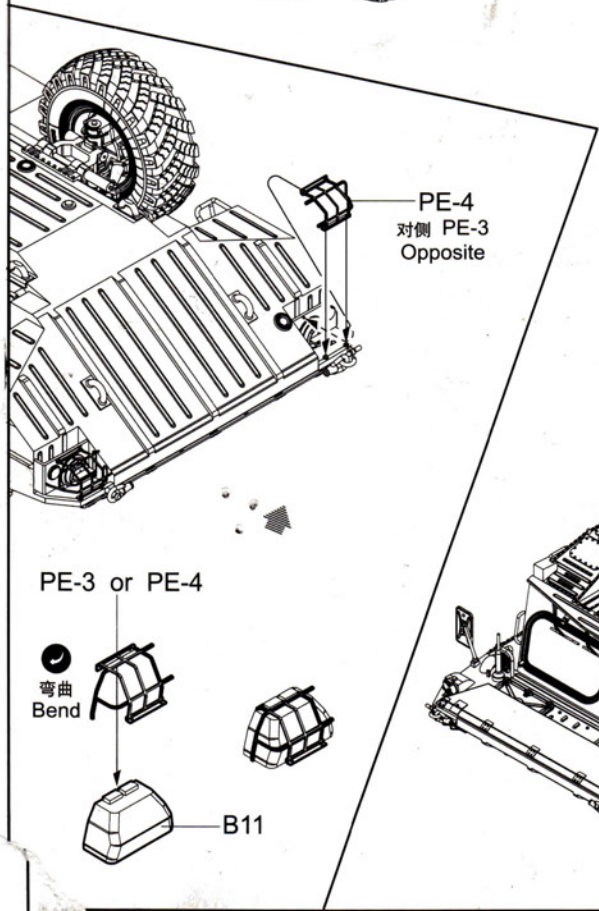
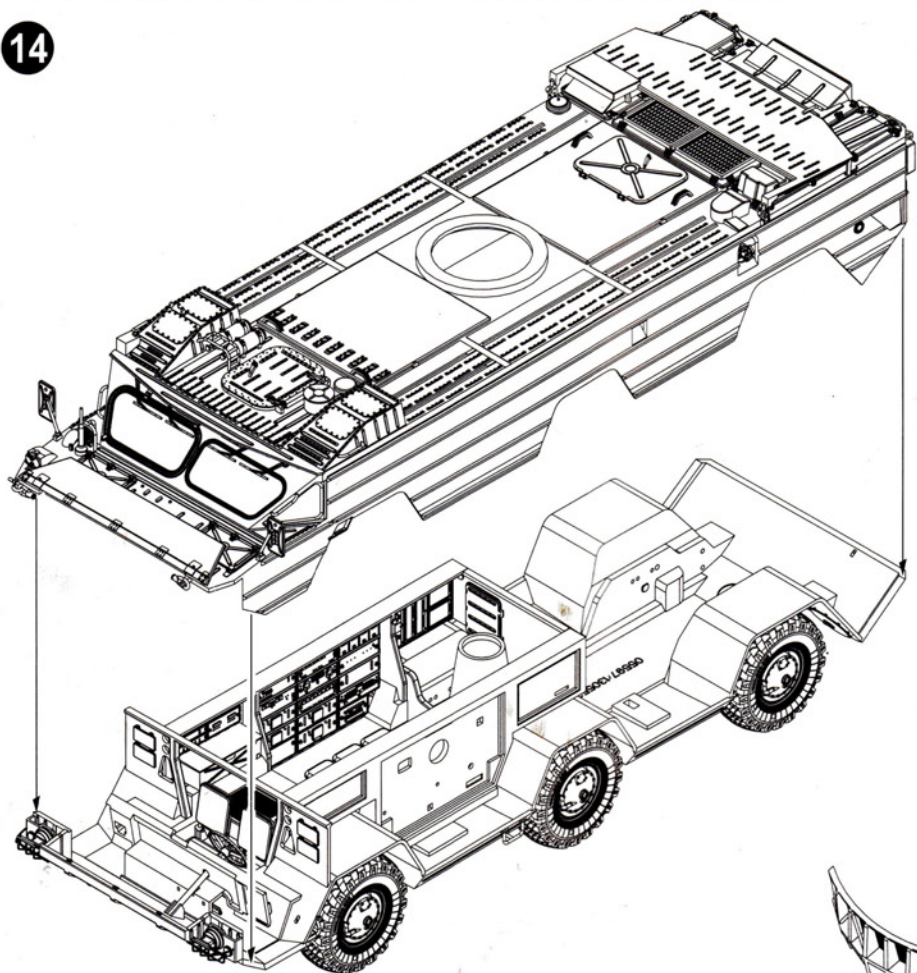


C12  
对侧 C11  
Opposite



《M-M》  
对侧《N-N》  
Opposite

14



PE-4

对侧 PE-3  
Opposite

PE-3 or PE-4

弯曲  
Bend

B11

