

Russia's M-21 Fishbed fighter has become one of the most-produced jet fighters in history. Over 10,000 of the delta-winged fighters have been built by 1985, with production still continuing for foreign customers. In addition, India and China produce versions of the plane for their own use.

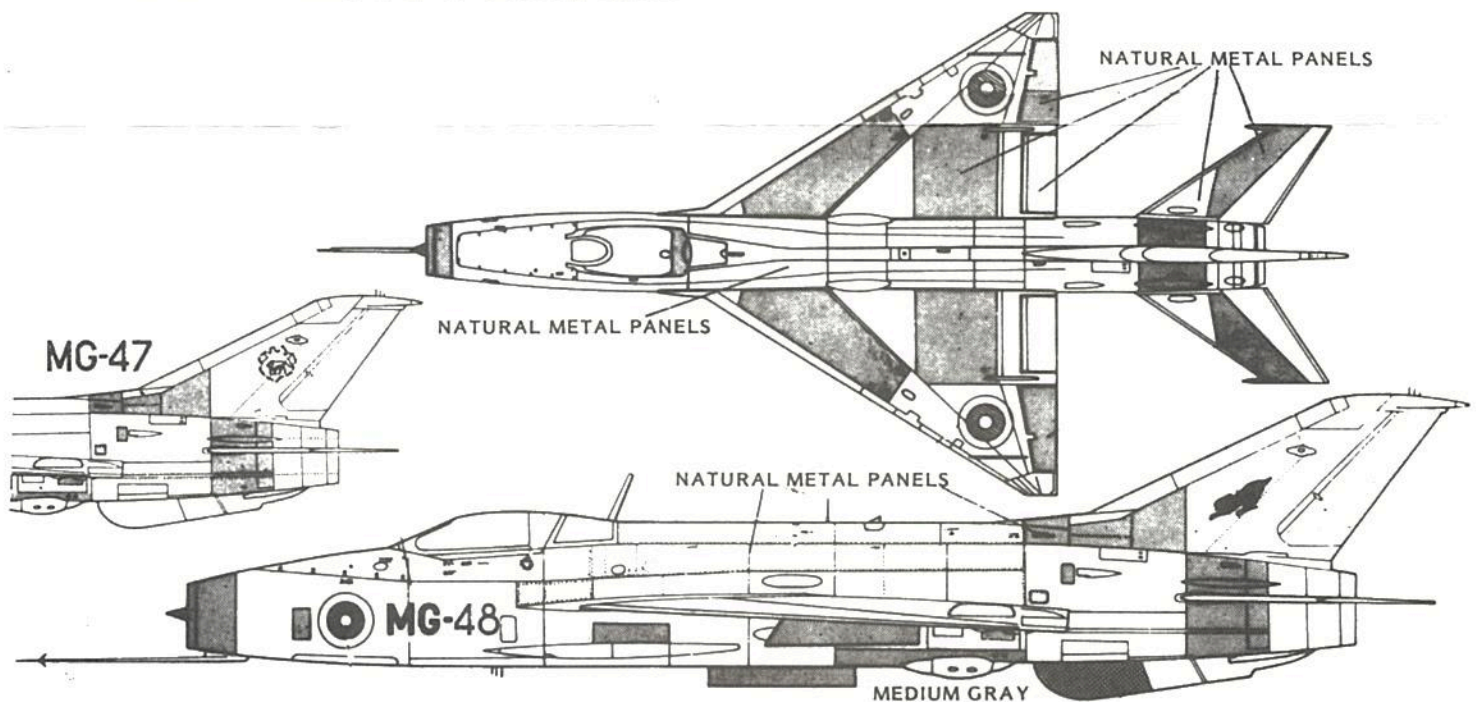
The M-21 is one of those unique planes whose versatility has insured its longevity. Using a small delta wing instead of swept wings, the Fishbed has adequate wing area without wide-spanned wings. This aids the plane in reaching its top speed of 1,285 mph, or Mach 2.1. The small wing also contributes to the remarkable maneuverability of the fighter.

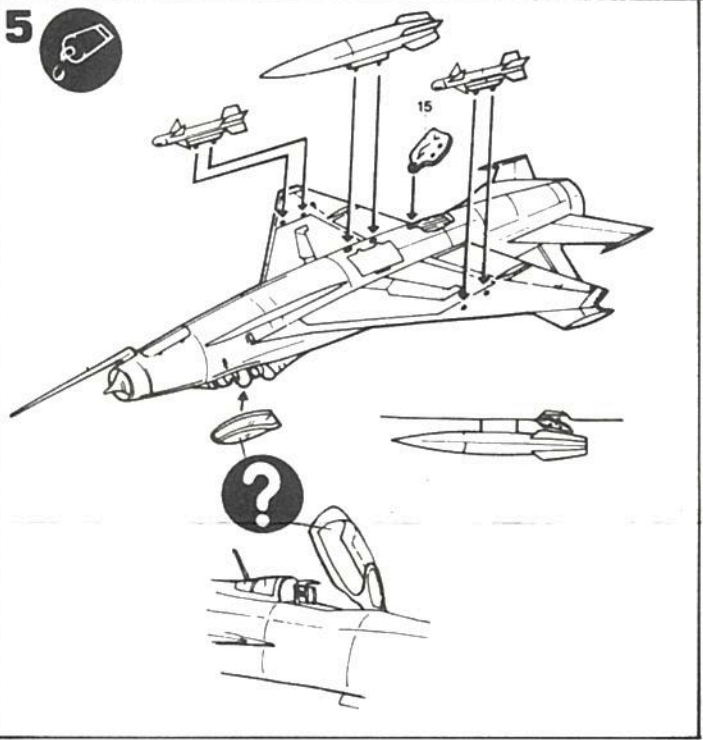
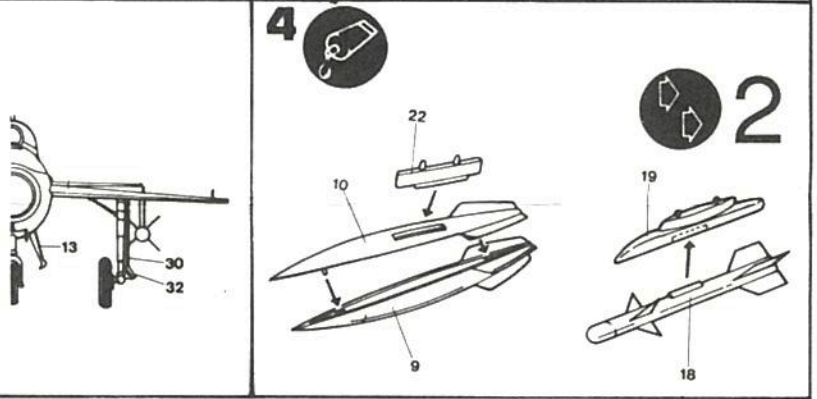
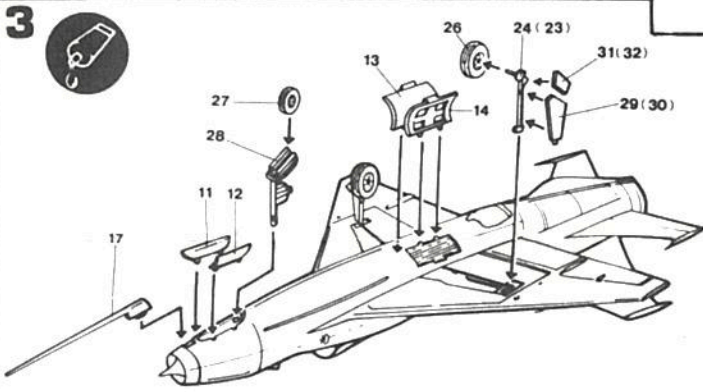
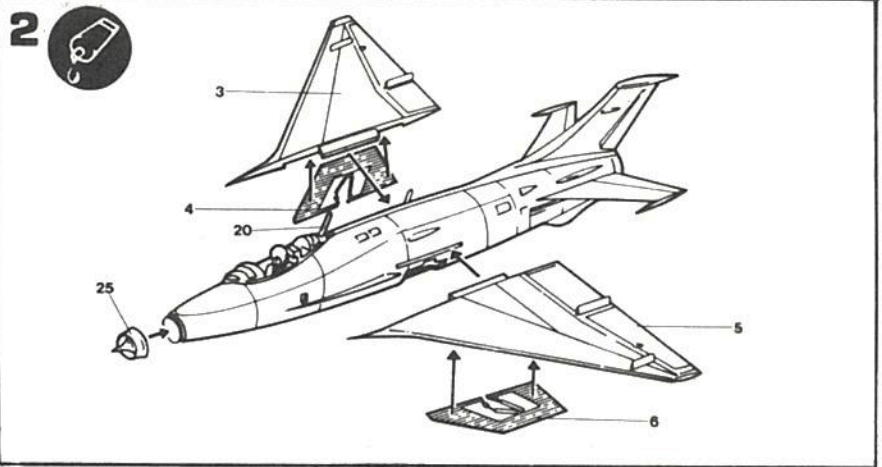
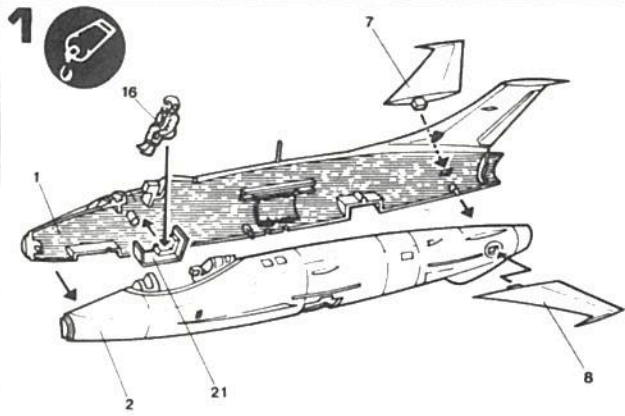
The short wingspan does limit the amount of underwing hardpoints, however, and the Fishbed can carry only a relatively limited


amount of weaponry at one time. However, as a fighter, this is not necessarily a disadvantage since it carries at least one 23 mm gun and can mount up to four air-to-air missiles, plus a fuselage centerline fuel tank. Ironically, some of the Russian-built M-21's are modified to carry the American AIM-9 Sidewinder missiles in countries, such as Egypt, where the planes operate alongside more modern F-16's, and in India


With the quantity of the M-21 Fishbed fighters in service today, this plane is clearly going to remain in service well into the next century.


Finland is one of the foreign customers for the M-21, and this kit provides the markings for planes of two of their fighter squadrons.








- 


**점착한다.**  
 Cement parts  
 Coller  
 Kleben  
 Pegar  
 Incollare  
 Colar  
 Kleven
- 


**점착하지 않는다.**  
 Do not cement  
 Ne pas coller  
 Nicht kleben  
 No pegar  
 Non incollare  
 Nao colar  
 Niet kleven
- 


**3**  
 수만큼 조립한다.  
 Repeat operation  
 Répéter l'opération  
 Vorgang wiederholen  
 Ripetir la operacion  
 Ripetere  
 Repetir a operação  
 Herhalen
- 


**잘라낸다.**  
 Cut away  
 Couper  
 Schneiden  
 Cortar  
 Tagliare  
 Cortar  
 Snijden
- 


**선택한다.**  
 Optional parts  
 Choix  
 Auswahlmöglichkeit  
 Eleccion  
 Scelta  
 Opcao  
 Keuze
- 


**반대측도 조립한다.**  
 Repeat for opposite side  
 Répétition de la page  
 Wiederholung für gegenüberliegende Seite
- 

**전사지를 붙인다.**  
 Decals  
 Décalcomanies  
 Abziehbild
- 

**무게추를 넣는다.**  
 Add weight  
 Lester  
 Gewicht
- 

**구멍이나 홈을 메워준다.**  
 Use filler  
 Mastiquer  
 Schleifen
- 

**구멍을 뚫어준다.**  
 Make hole  
 Faire un trou  
 Öffnen
- 

**주의한다.**  
 Be careful  
 Faire attention  
 Hier Vorsicht
- 

**색칠 및 전사지 붙이기 번호**  
 Painting scheme number  
 Numeros de la liste de peintures  
 Lackierschemanummer