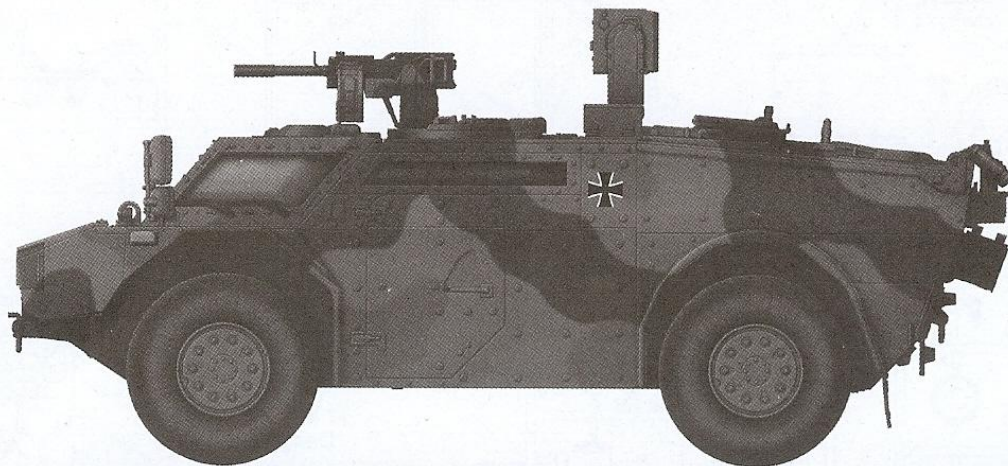


1/35 SCALE

ITEM NO.:05534



German Fennek LGS - German Version

德国“小狐”轻型装甲侦察车(德国型)

READ BEFORE ASSEMBLY:

- Study and understand these instructions thoroughly before beginning assembly
- When needed, remove photo-etch parts carefully using a modeling knife or photo etch sprue cutter, being careful not to damage or lose small parts.
- Take extra care in handling photo etch parts in order to avoid injury
- Apply instant cement sparingly to photo etch parts where instructed
- Tools recommended(not included in kit):Plastic and instant cements, sprue cutters,long nose pliers,modeling knife, small files, tweezers, pin vise & scissors. Soft cloth and sandpaper will also assist in construction
- Glue and paint are not included in the kit. Use plastic cement and hobby paints only. Color guide for purchasing paint is included in the kit.

装配之前仔细阅读

- 小心用模型锉刀锉平所有零件表面的注射浇口。
- 小心用刀片切下蚀刻片零件，不要遗失小零件。
- 用强力快干胶水粘合蚀刻片零件和金属轴。过量快干胶水使用可能导致可动零件会粘住，小心涂胶。
- 取蚀刻片时应特别注意安全，防止利边划伤手指。
- 某些零件表面需贴上水贴纸，请选择在装配的同时进行。
- 推荐模型工具(自备)：胶水，水口剪刀，长咀钳，刀片，锉刀，镊子，钳，钻，剪刀，瞬间快干胶。
- 软布同砂纸同时也应该是必备工具。
- 请使用塑料胶水和油漆，模型内不含。



配重
Weight



使用强力胶
Cyanoacrylate glue



钻孔
Make hole



切除
Cut / Remove



贴纸
Decal



锉平
File / Sand



选择
Option



不涂胶水
No cement



弯曲
Bend

水贴纸的使用:

- 1.从水贴纸上剪下印花;
- 2.将印花放入温水中浸10秒，然后放在干净布上。
- 3.拿着印花纸板将印花移到模型上;
- 4.手指蘸水将印花移到适当的位置;
- 5.用软布轻压印花直至水干，气泡消失

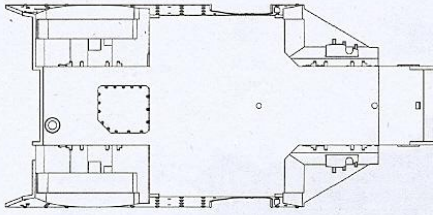
DECAL APPLICATION

- 1.Cut decals from sheet as needed
- 2.Dip the decal in warm water for about 10 seconds and then place on soft clean cloth.
- 3.Hold the decal backing sheet edge and gently slide the decal onto the model in its proper position.

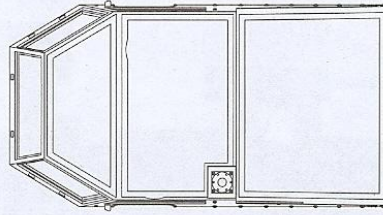
- 4.While still wet,decal can be adjusted for better fit on model by dampening it gently with your finger.
- 5.When placed in the proper position,gently press decal down with a soft cloth until excess water and air bubbles are gone.
- 6.Allow decal to dry completely before handling model

部品图
parts

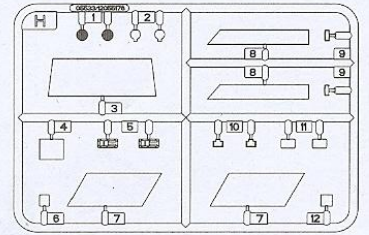
《车底》
Lower hull



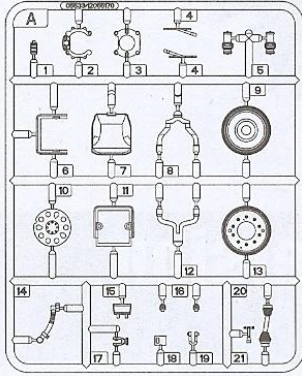
《车面》
Upper hull



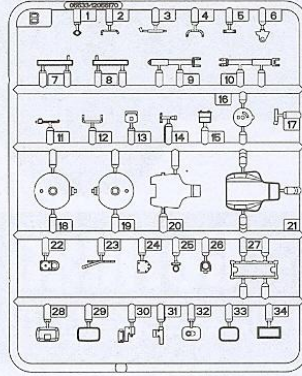
H



Ax4



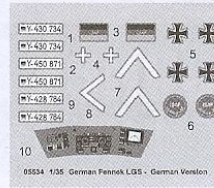
Bx2



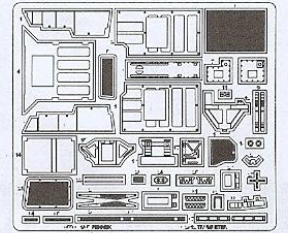
《轮胎》x4
Tyre



《水贴纸》
Decal



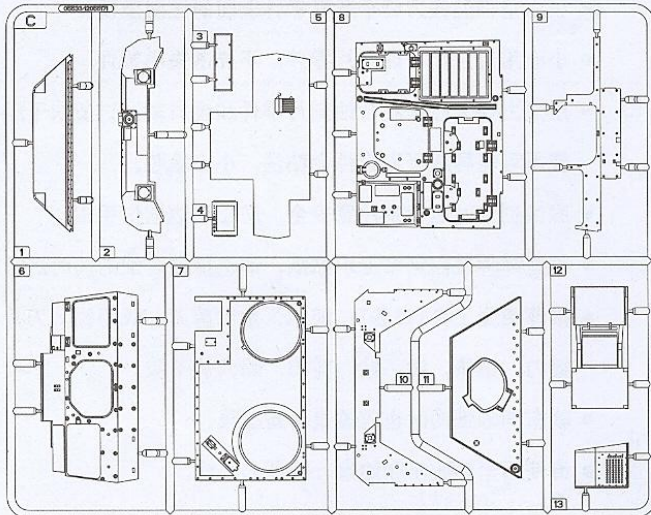
《蚀刻片》
PE



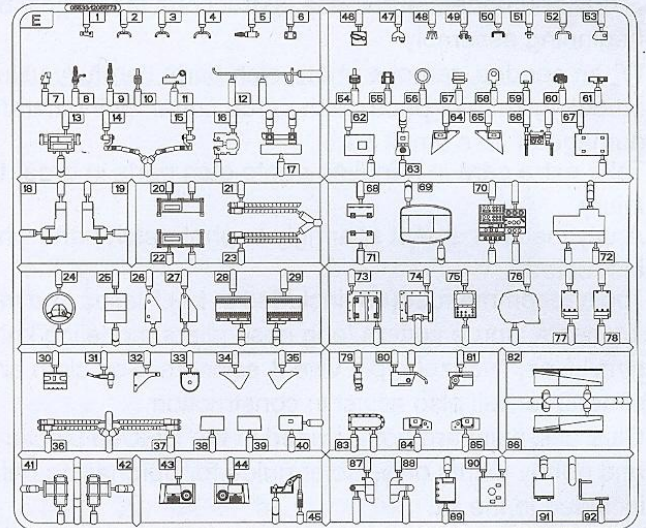
聚乙烯套
Poly cap



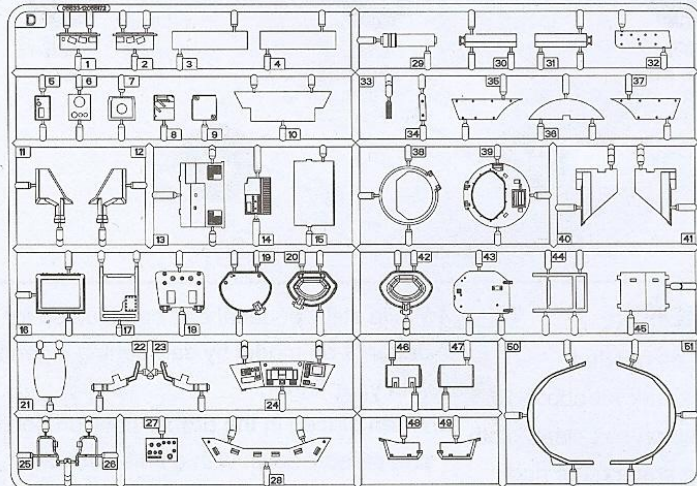
C



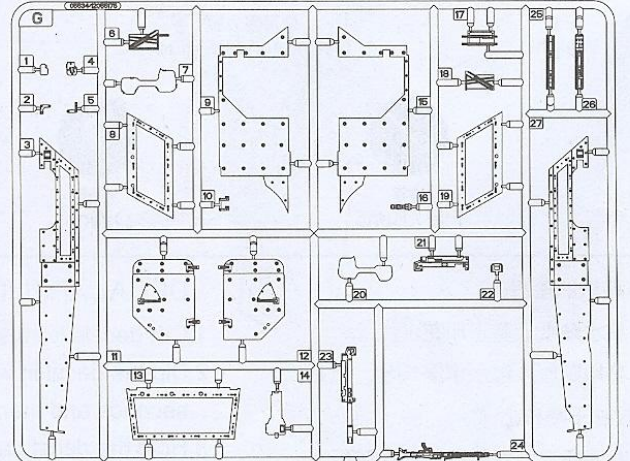
E



D



G

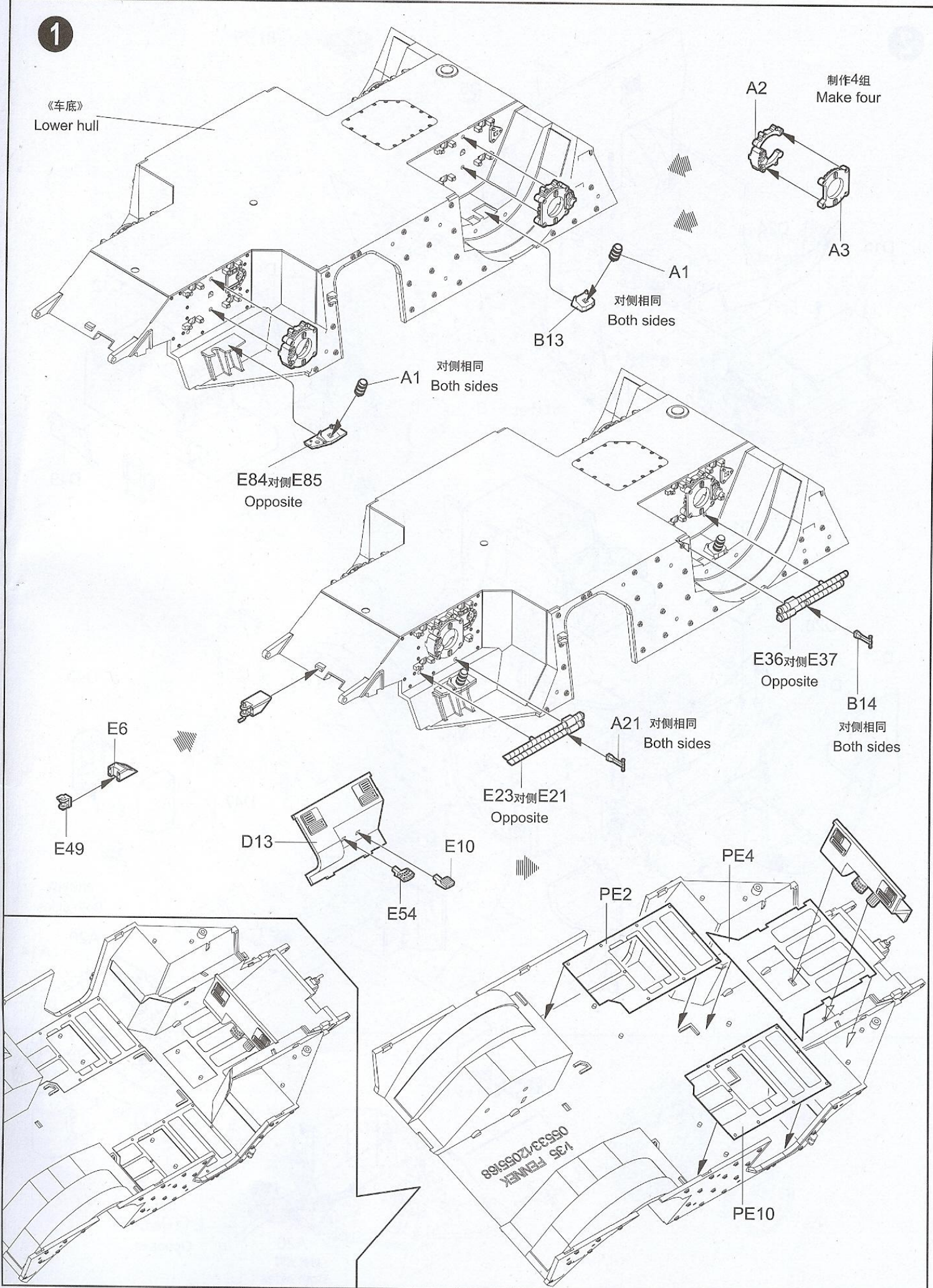


不用部品: A4x2,A5x2,A6x1,A7x1,A11x1,A14x2,A15x1,A16x2,A17x4,A21x2,B16x2,B17x2,E9,E13,PE8,
Unused parts PE11,PE12,PE19,PE24,PE30,PE34,PE37.

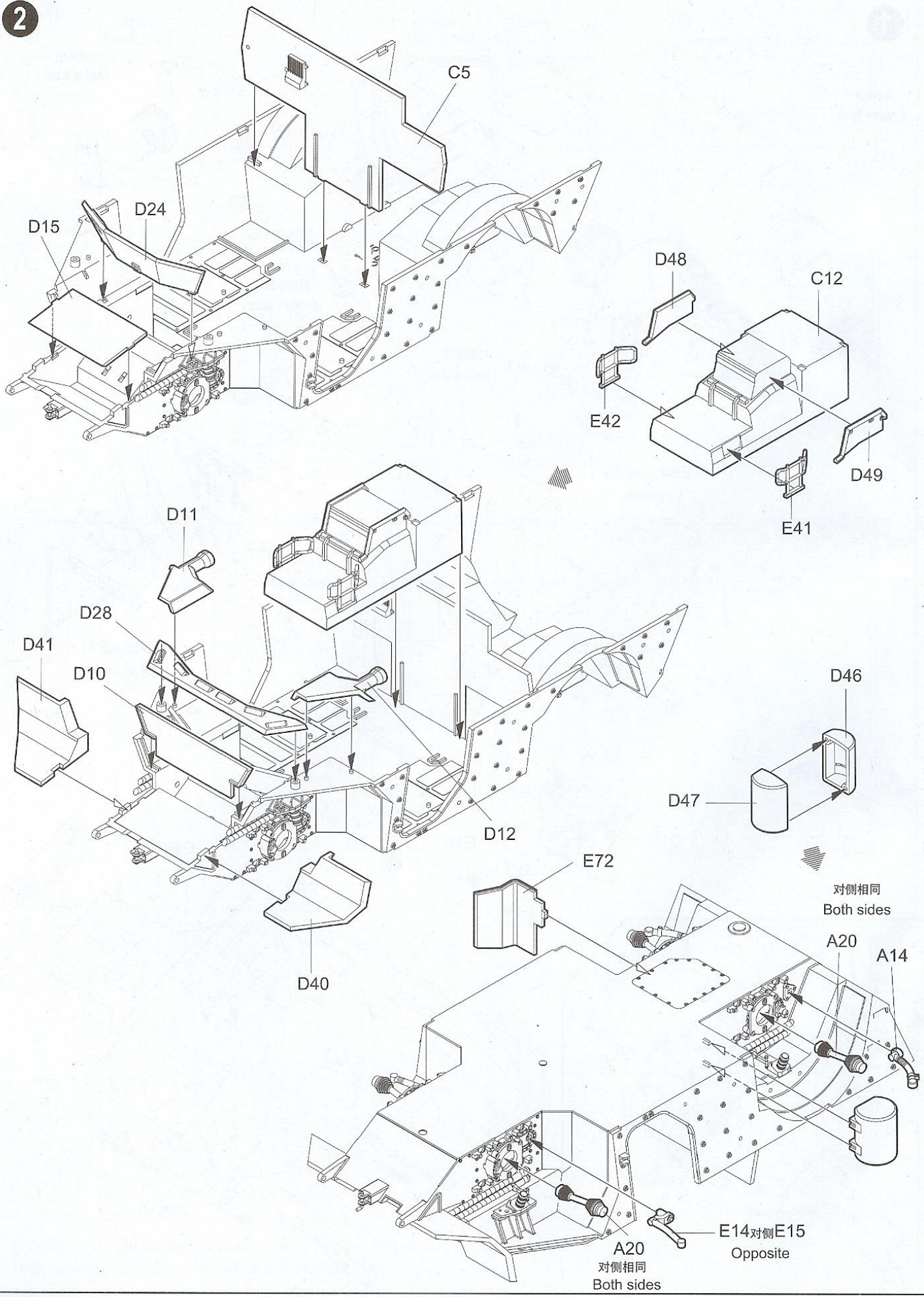
1

《车底》
Lower hull

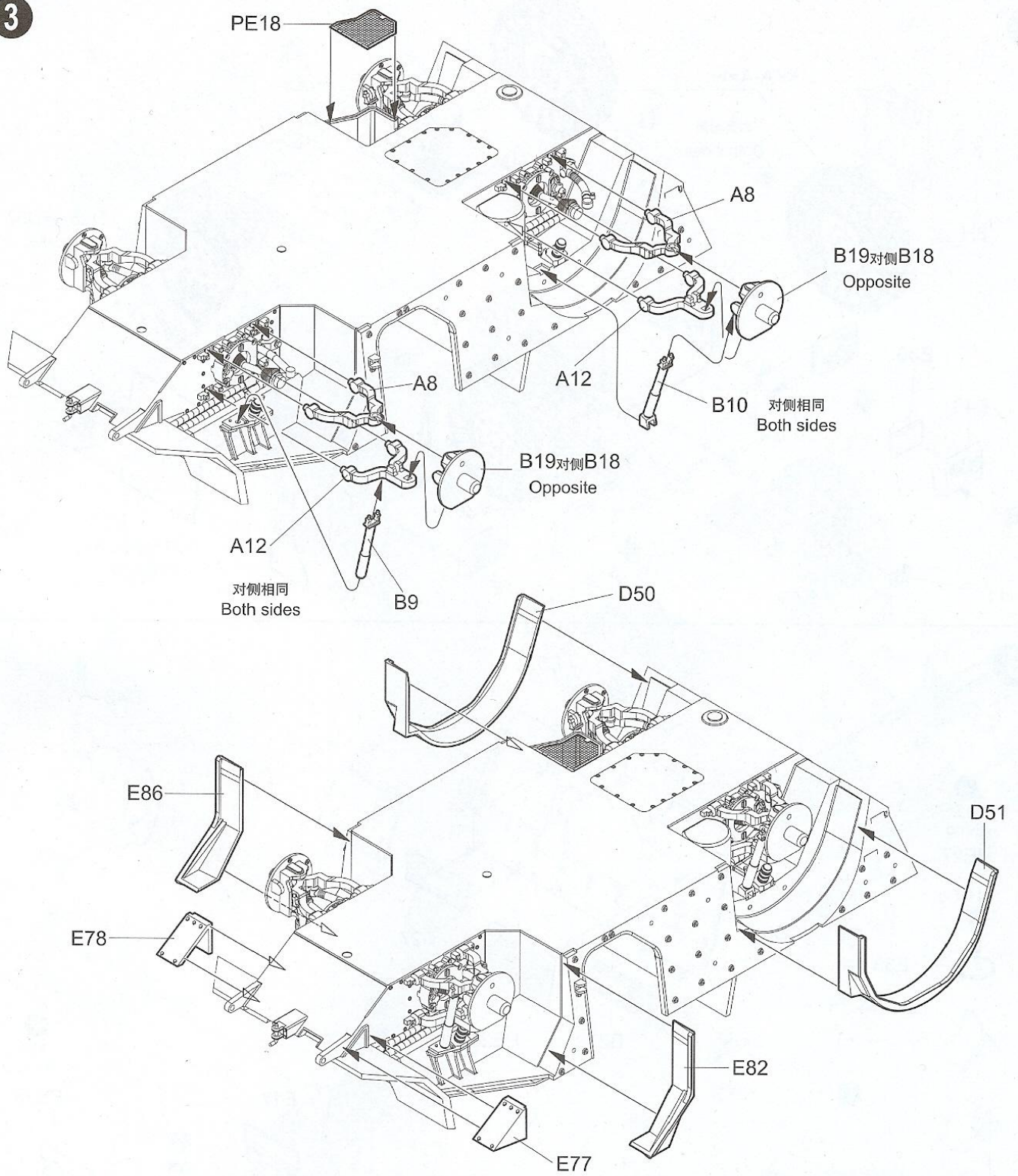
制作4组
Make four



2



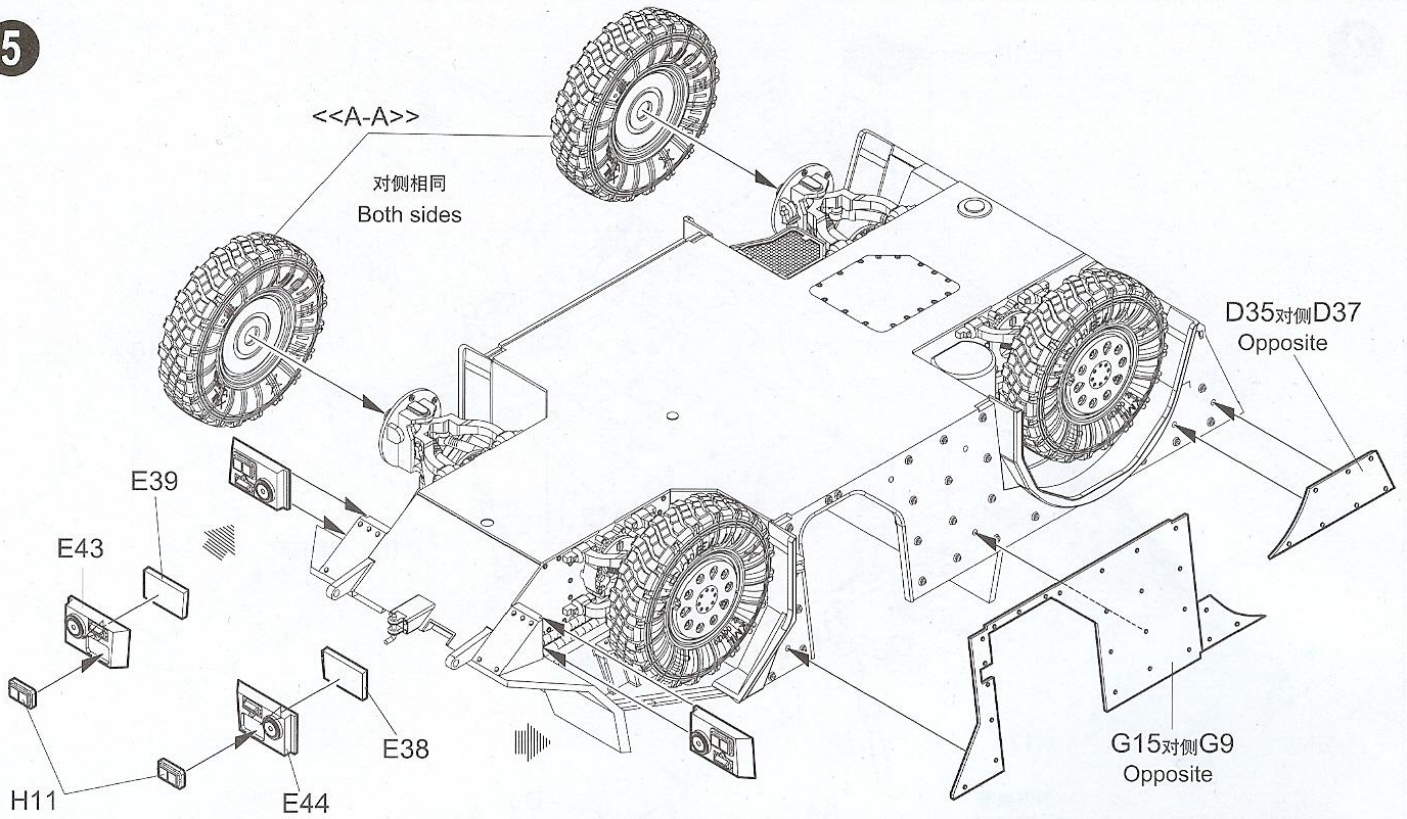
3



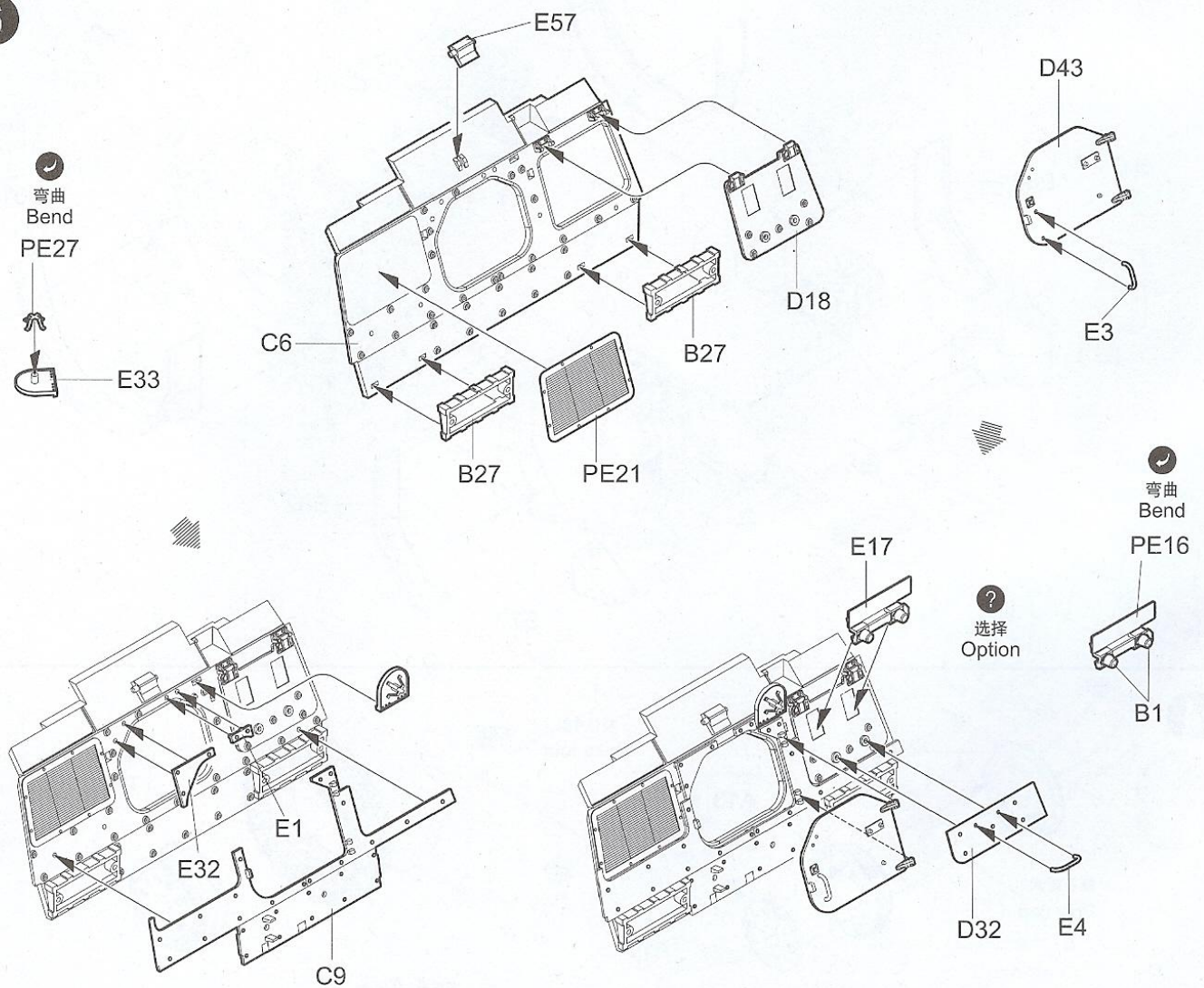
4



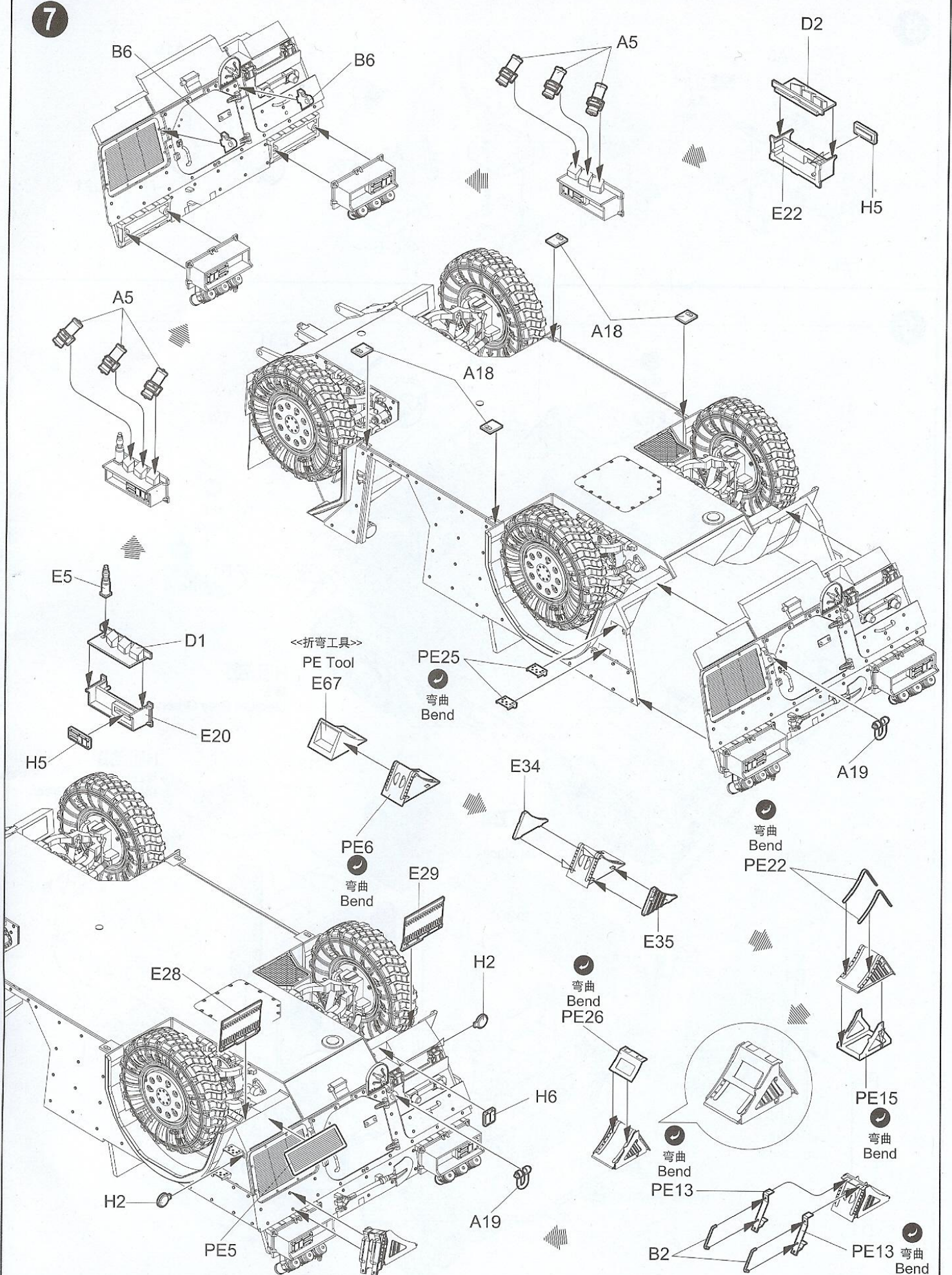
5



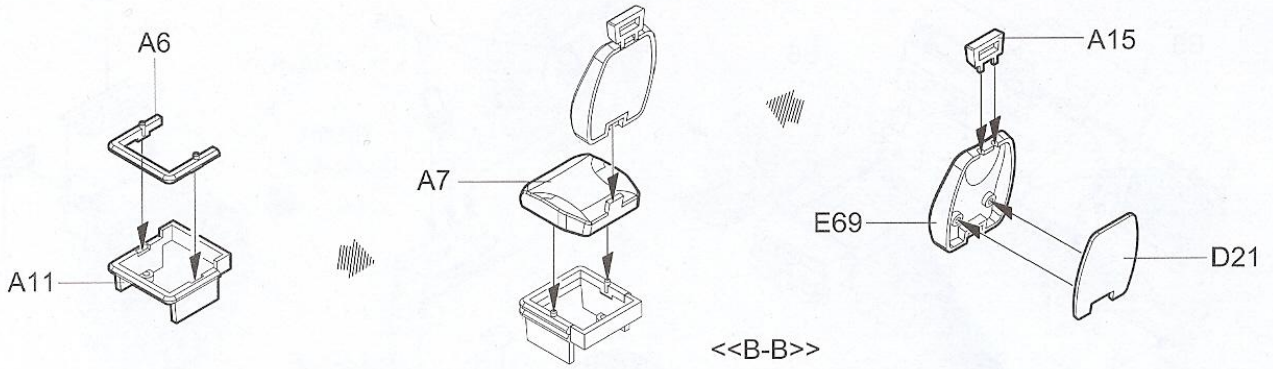
6



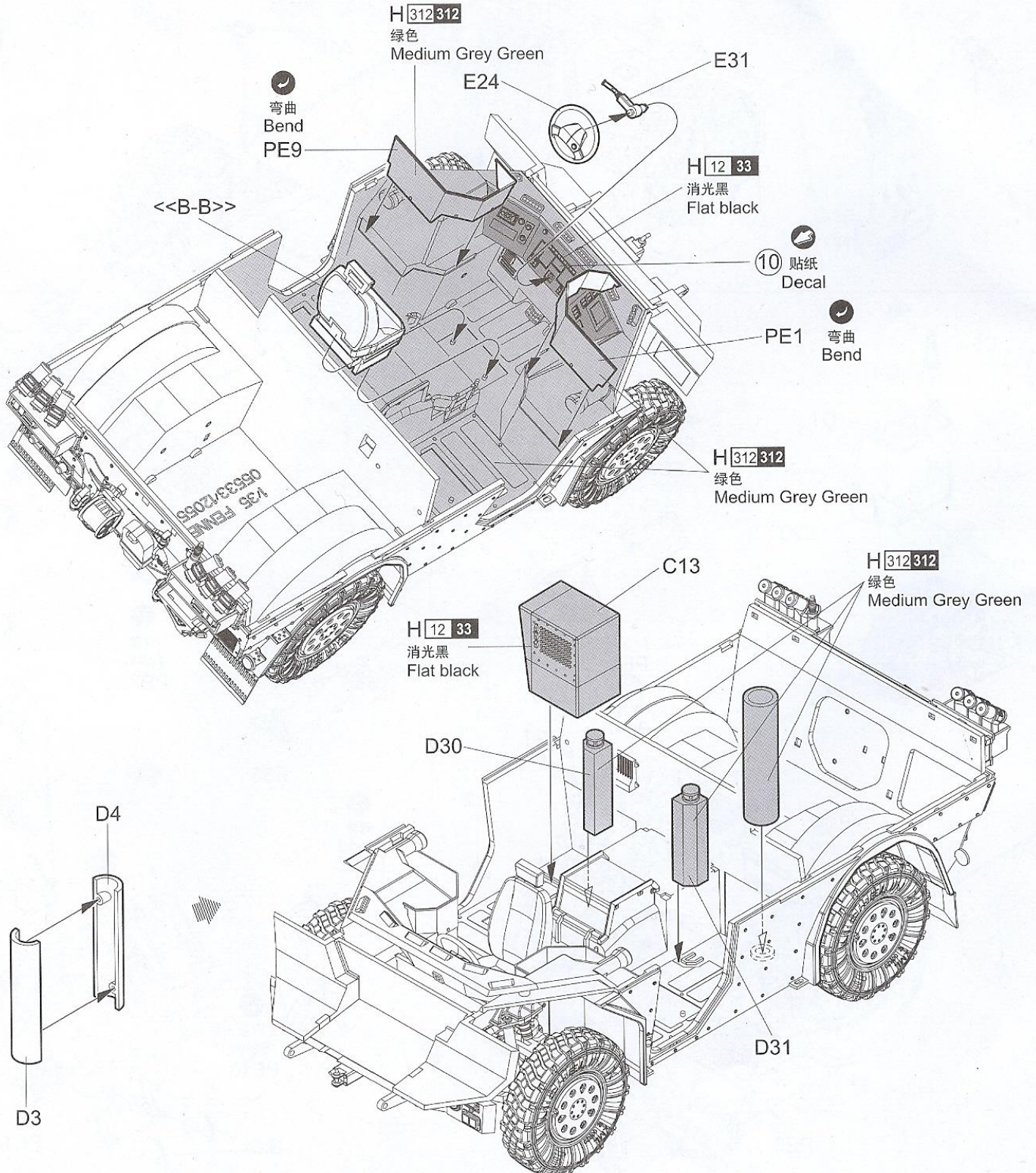
7



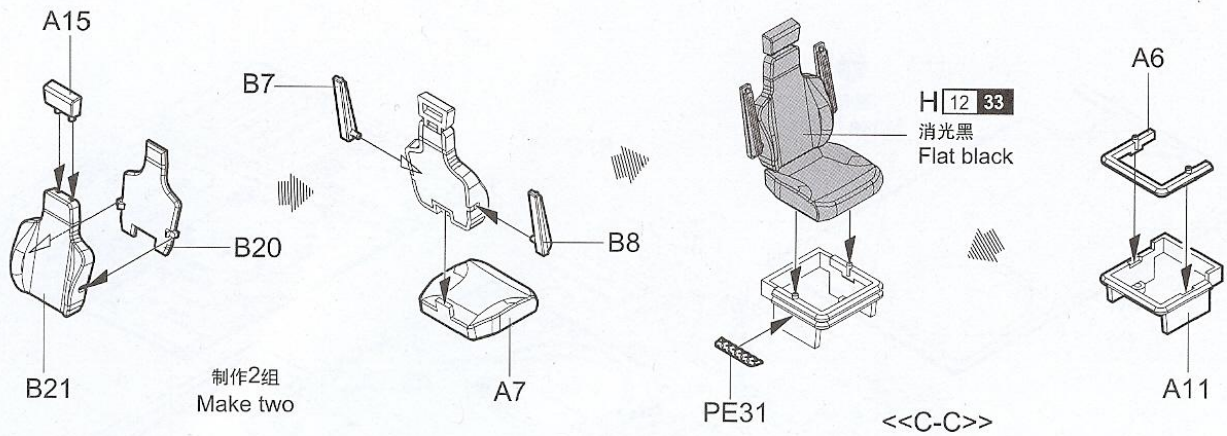
8



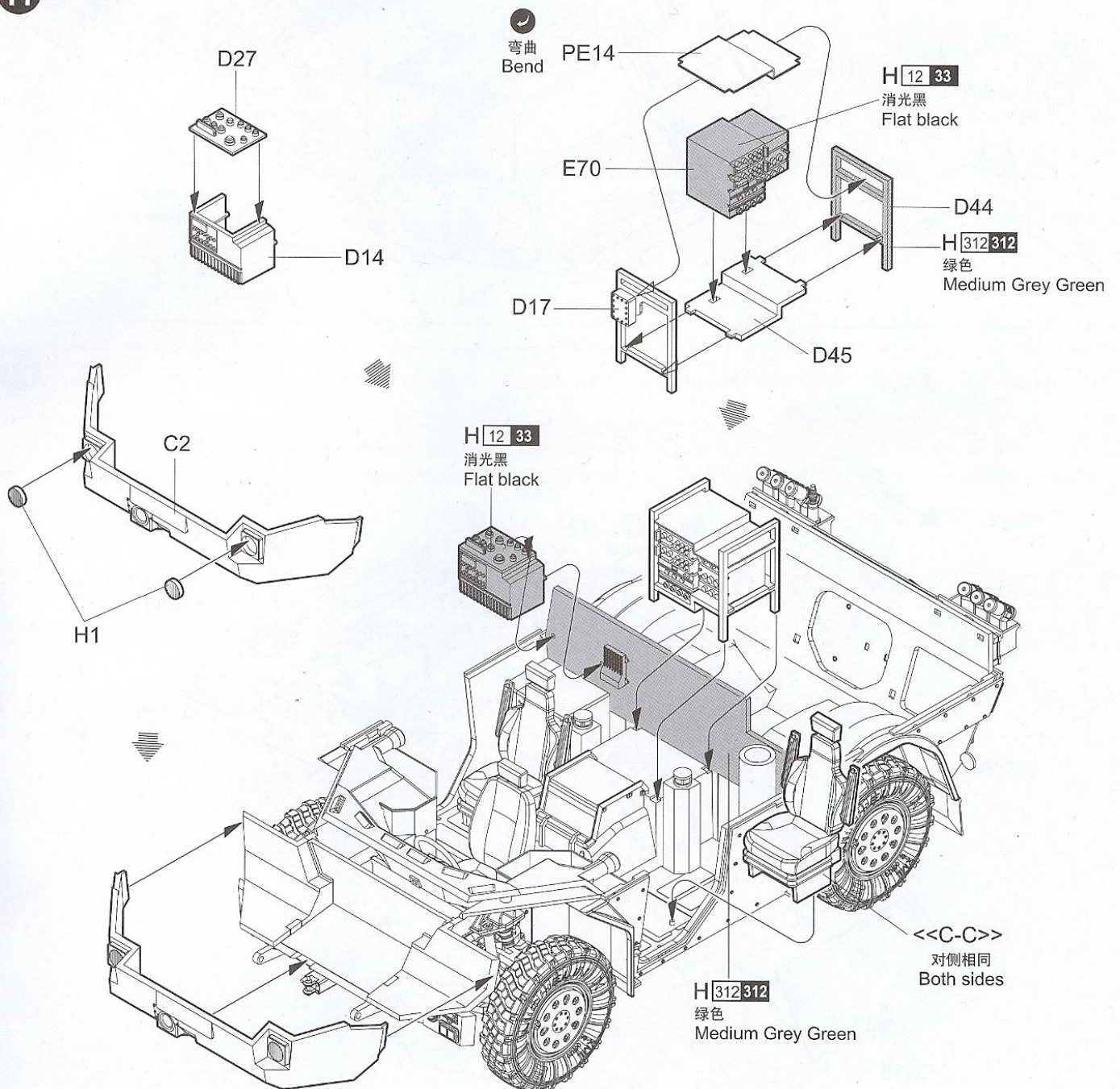
9



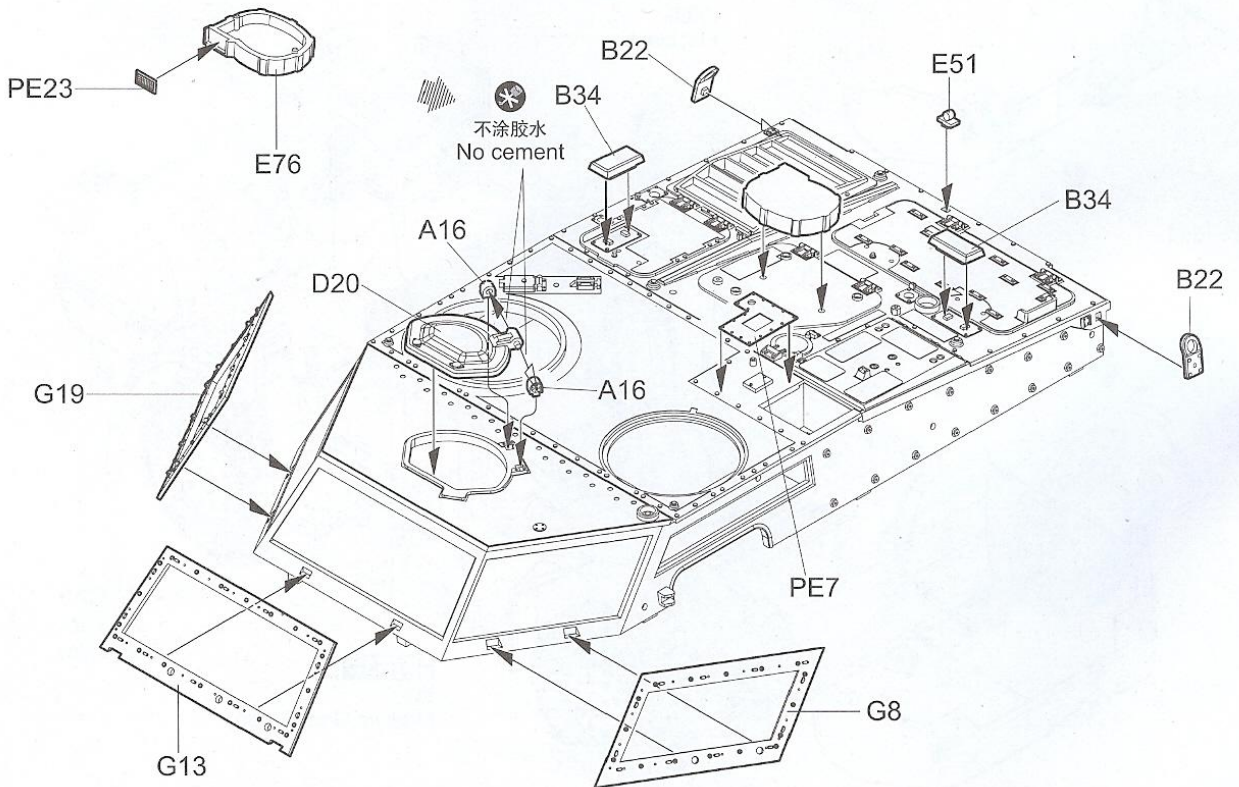
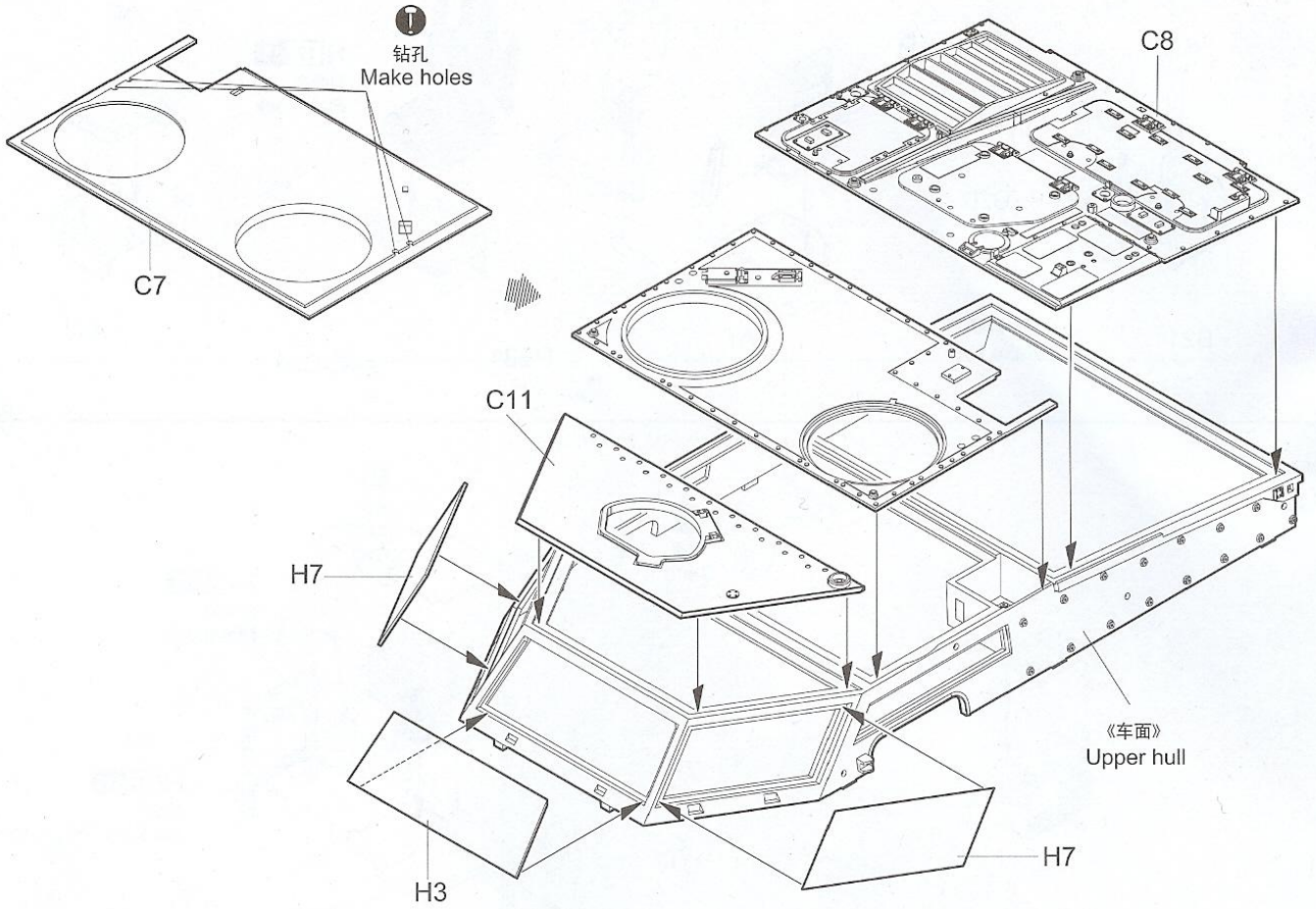
10






11

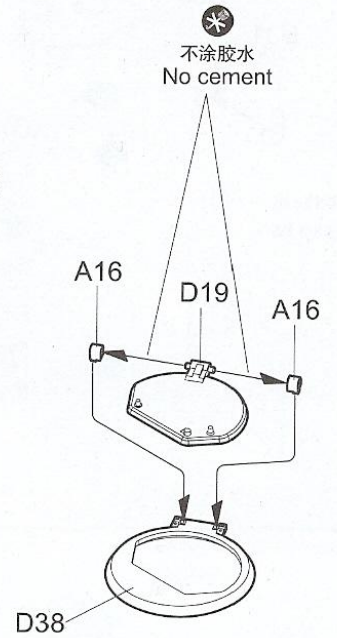
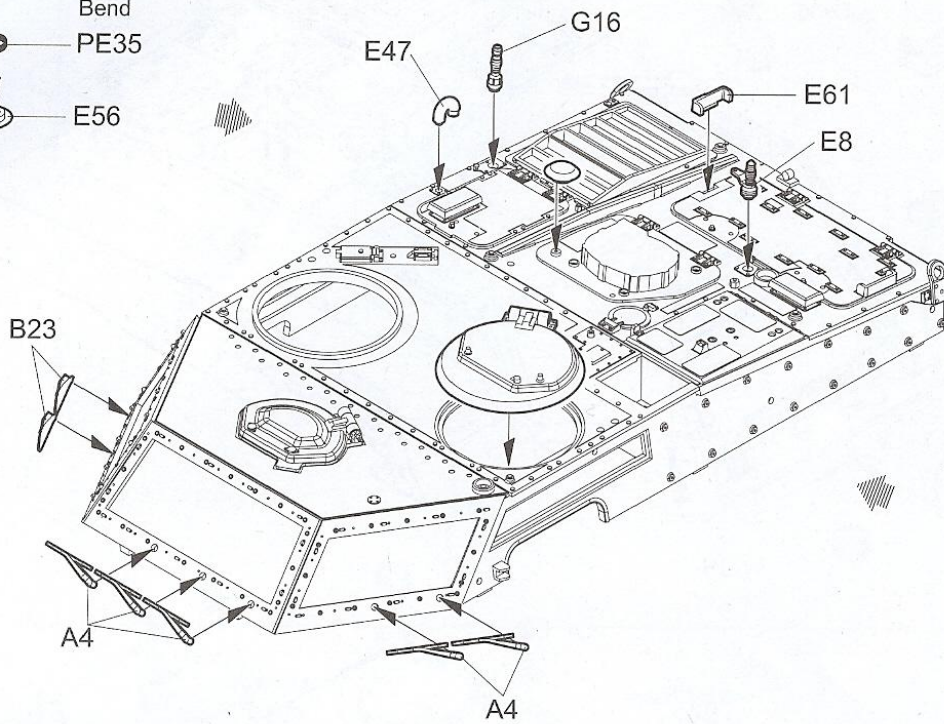


12





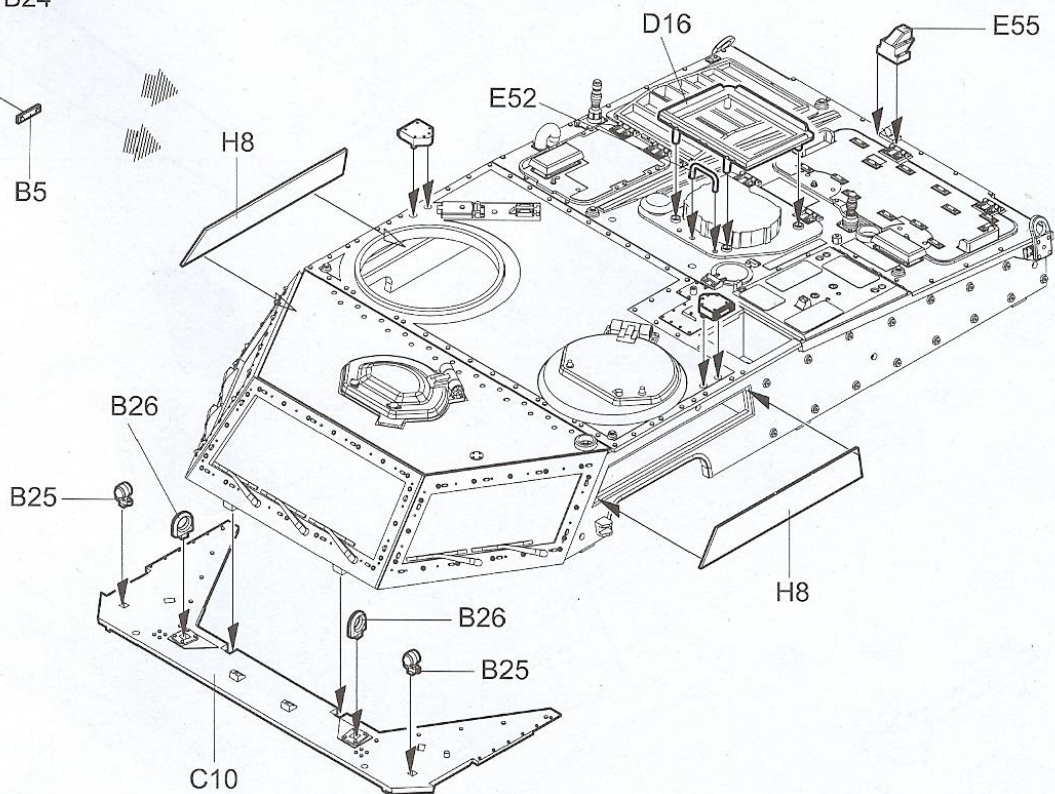
13

-  弯曲
Bend
-  PE35
-  E56

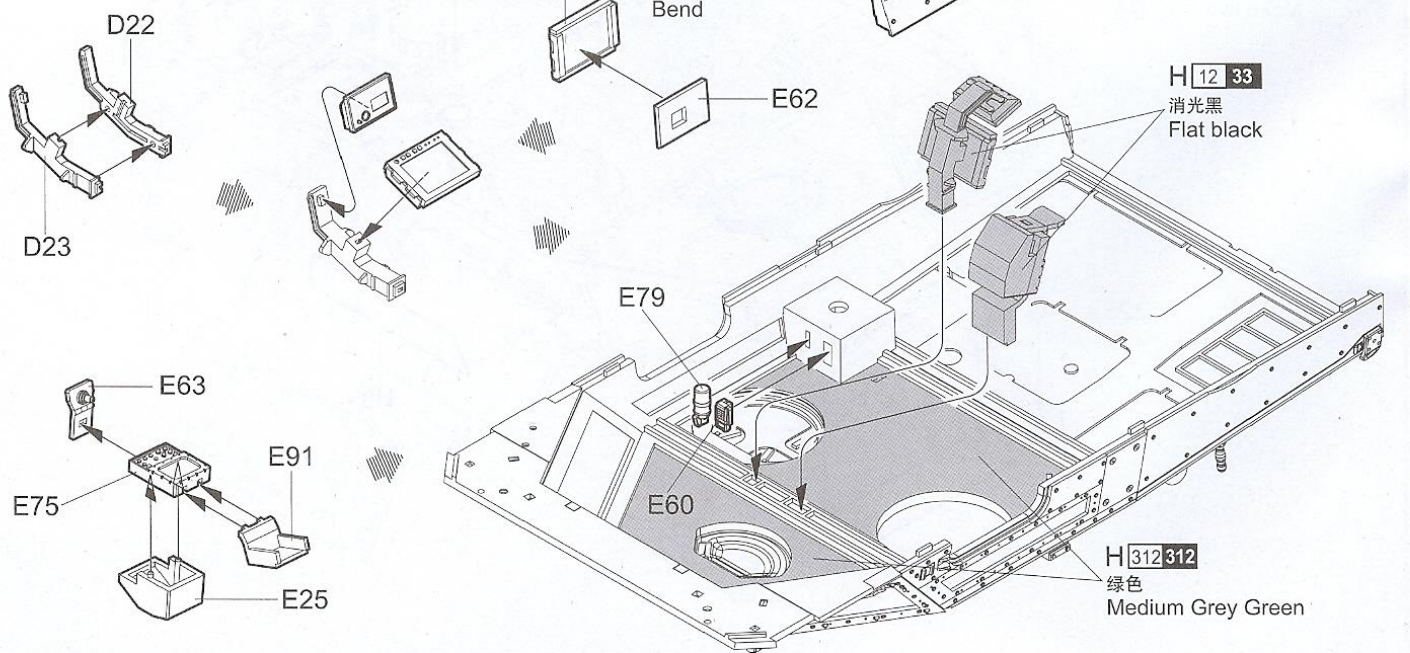
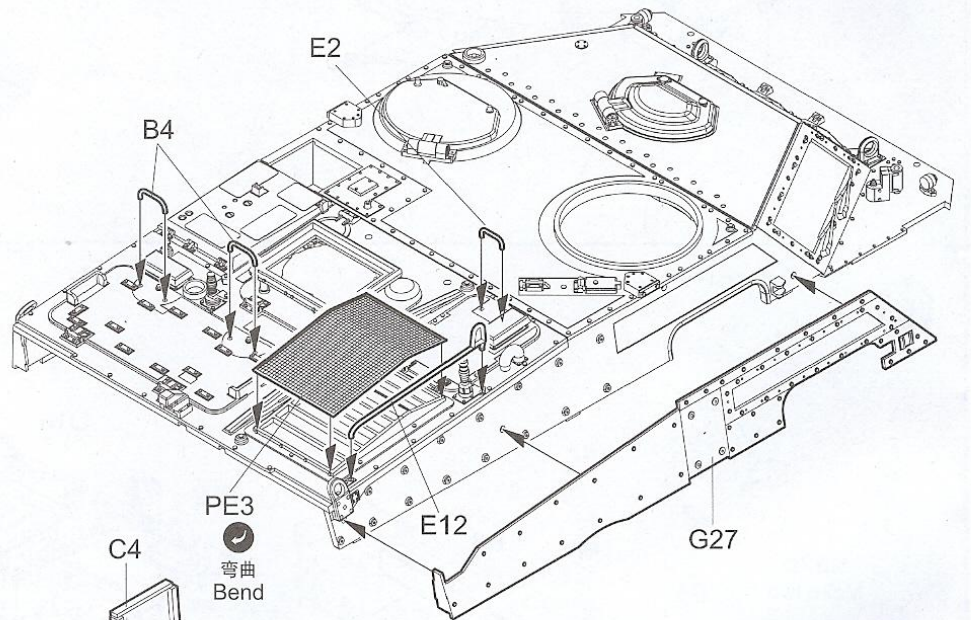
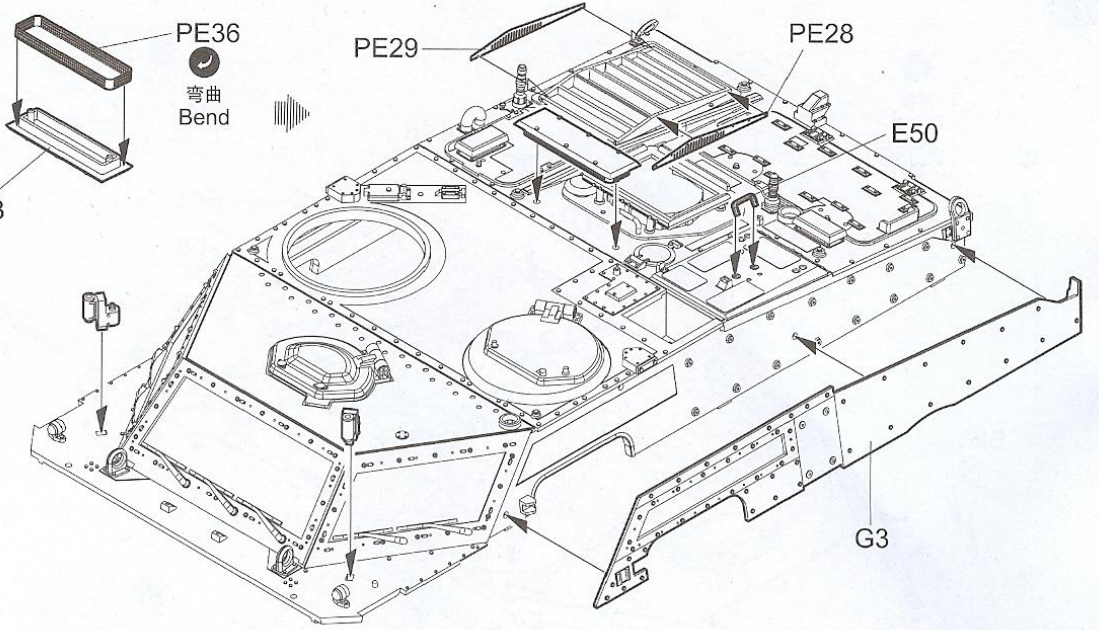


14

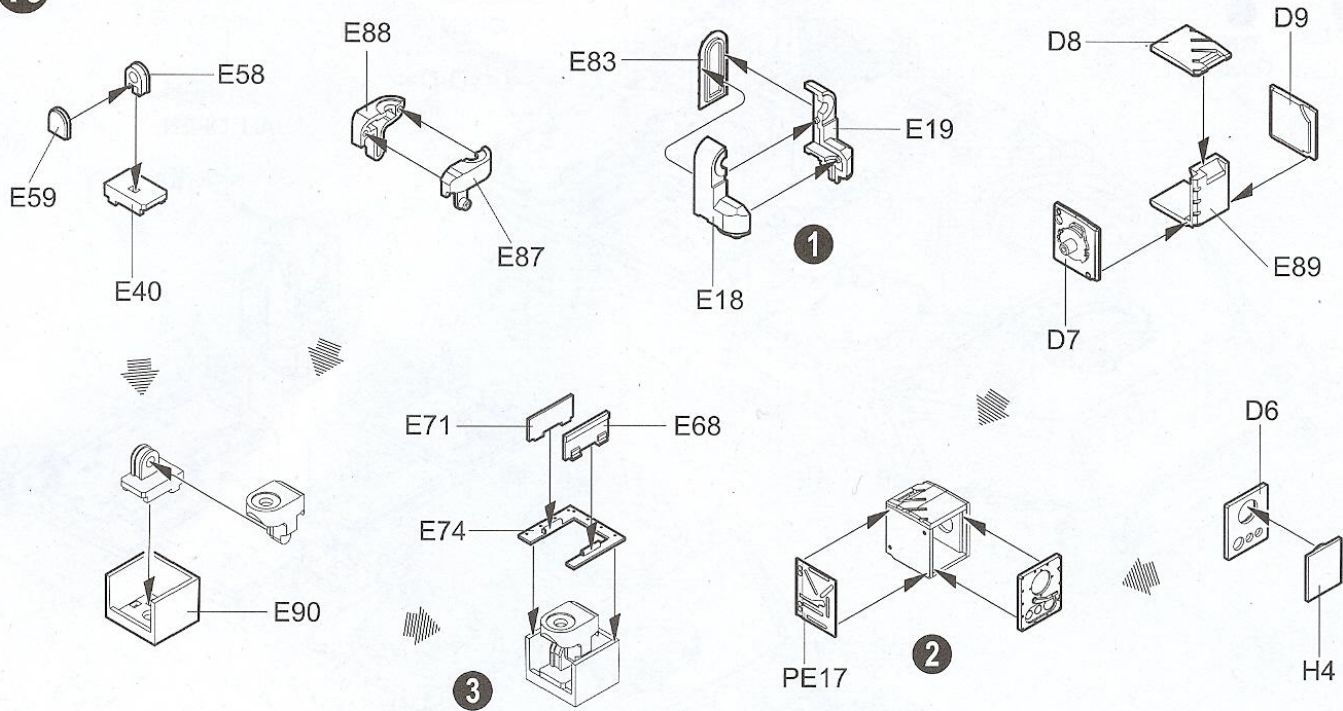
-  B24
 -  B5
- 制作2组
Make two



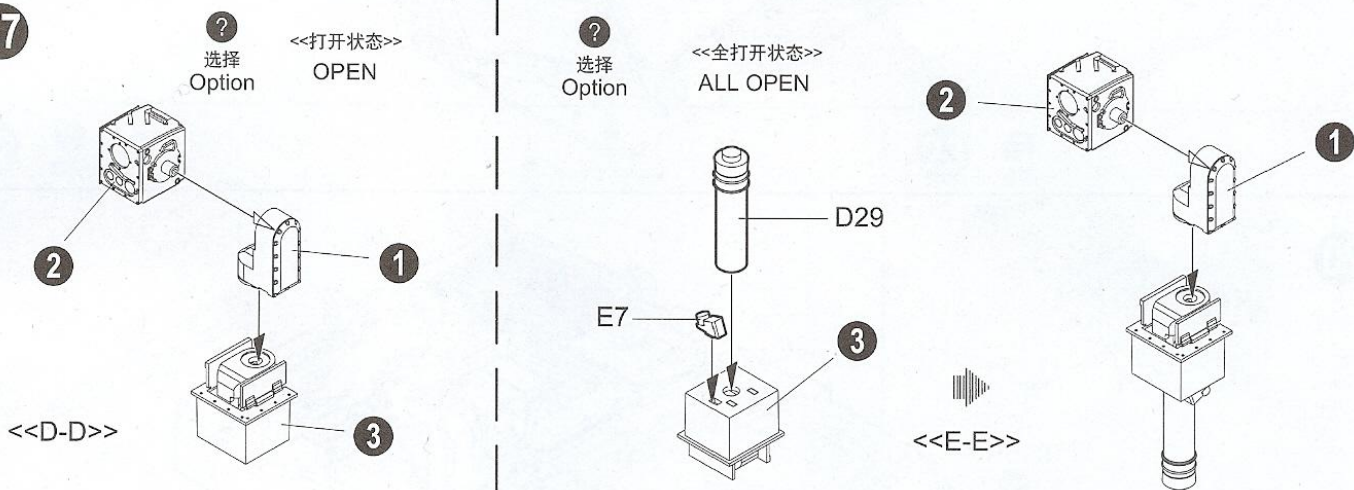
15



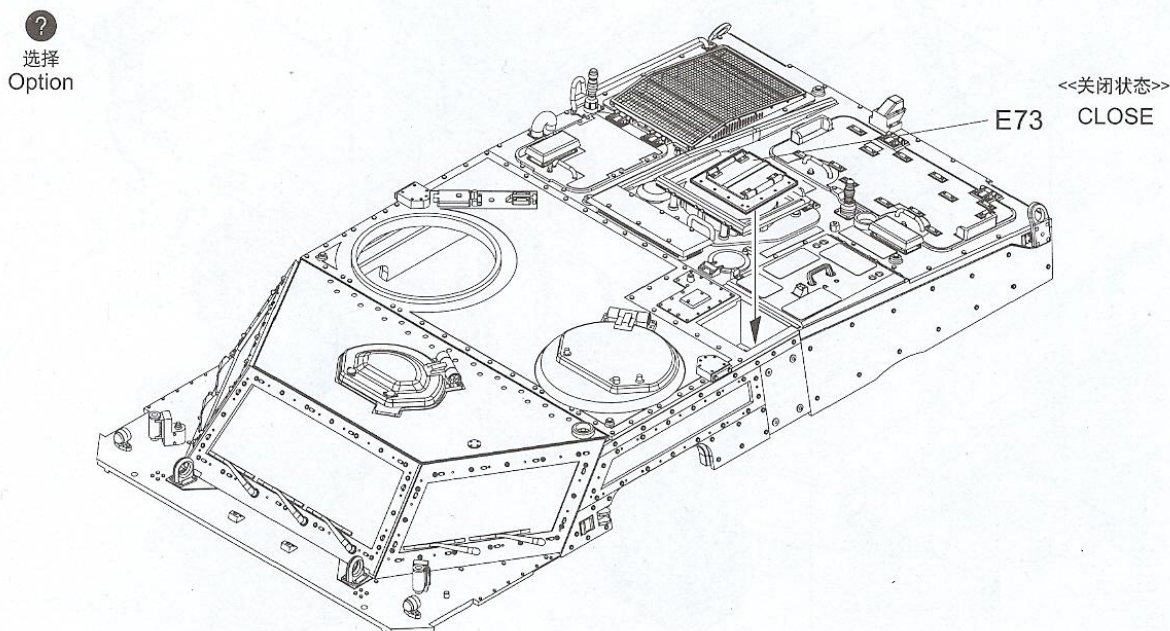
16



17



18



19

?
选择
Option

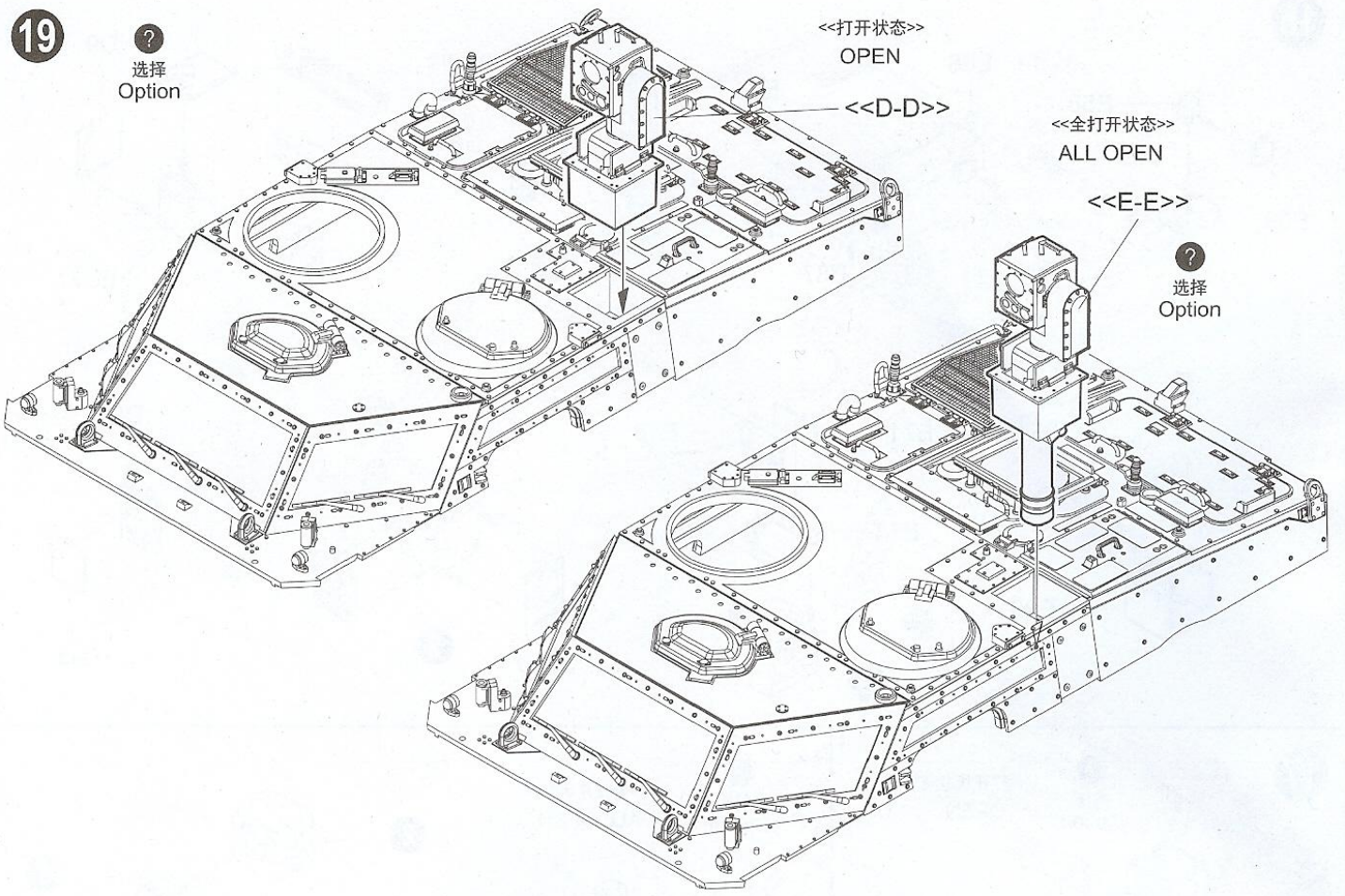
<<打开状态>>
OPEN

<<D-D>>

<<全打开状态>>
ALL OPEN

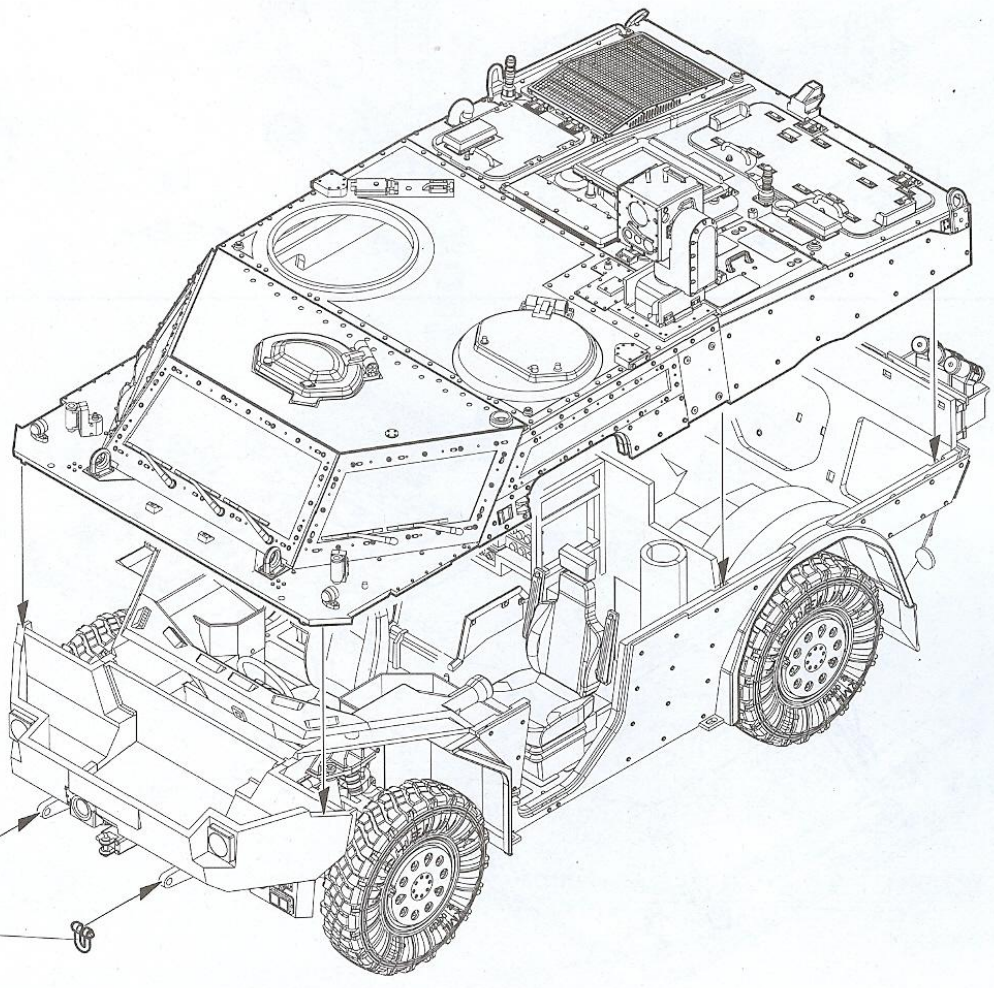
<<E-E>>

?
选择
Option



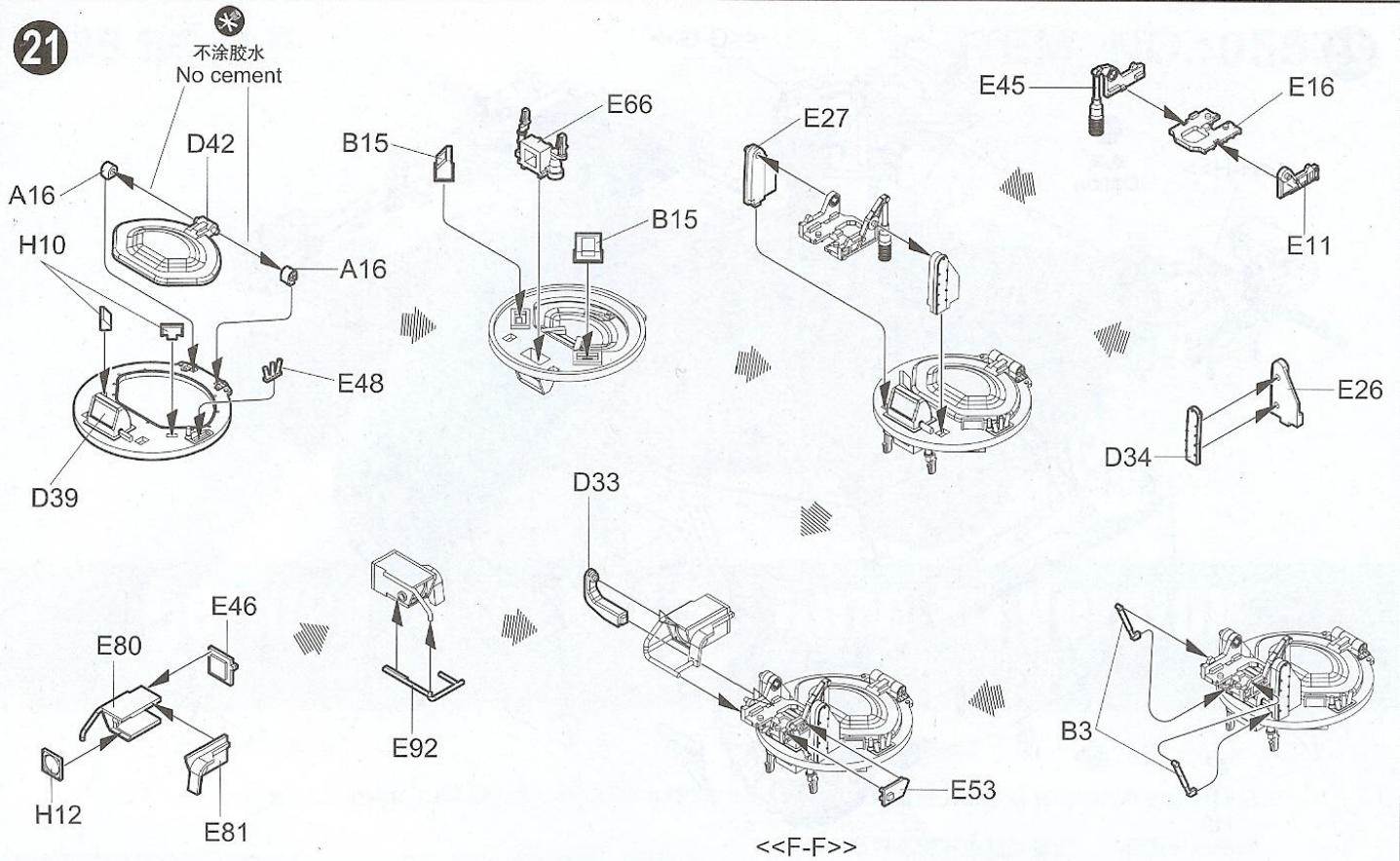
20

A19



21

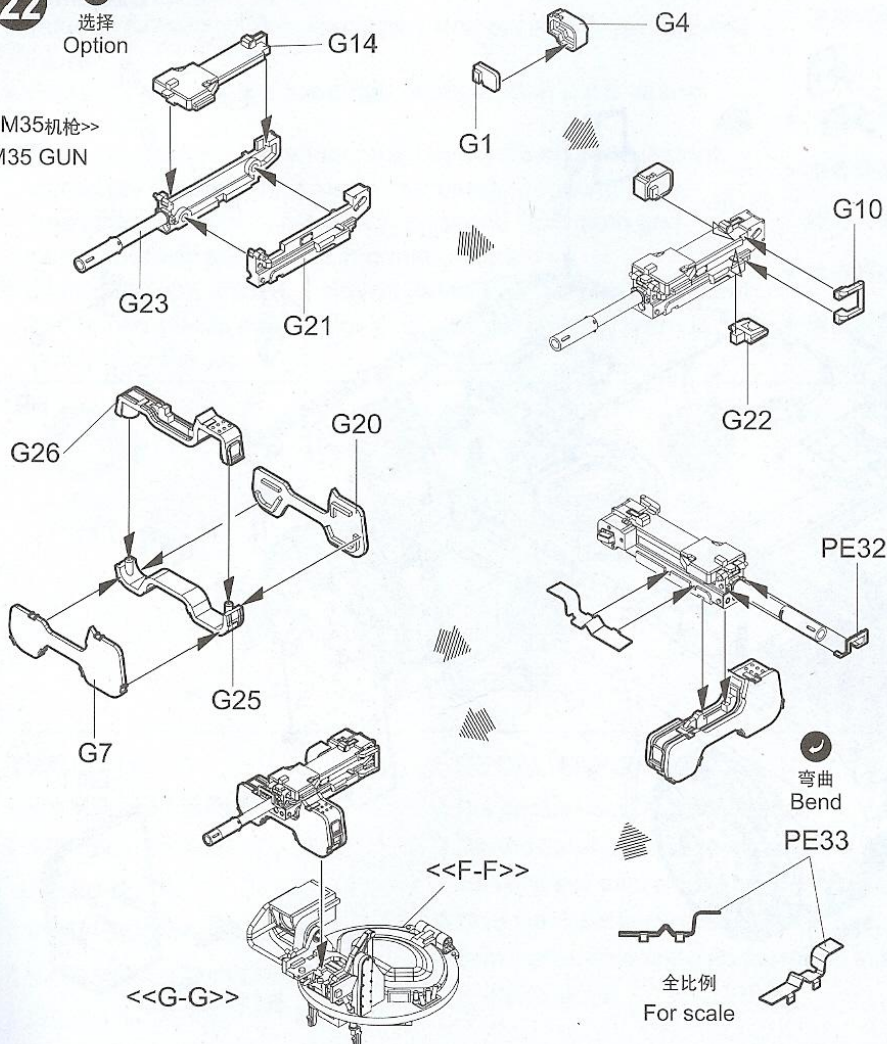
不涂胶水
No cement



22

选择
Option

<<M35机枪>>
M35 GUN



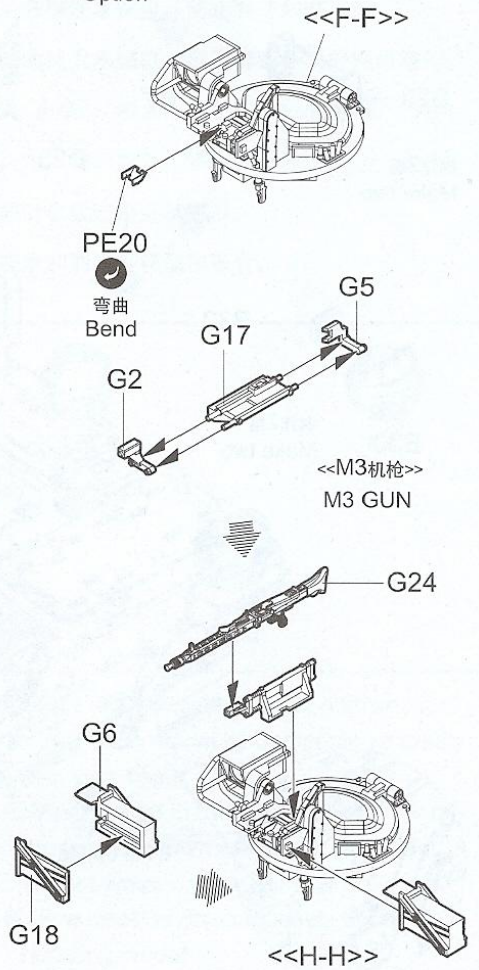
23

选择
Option

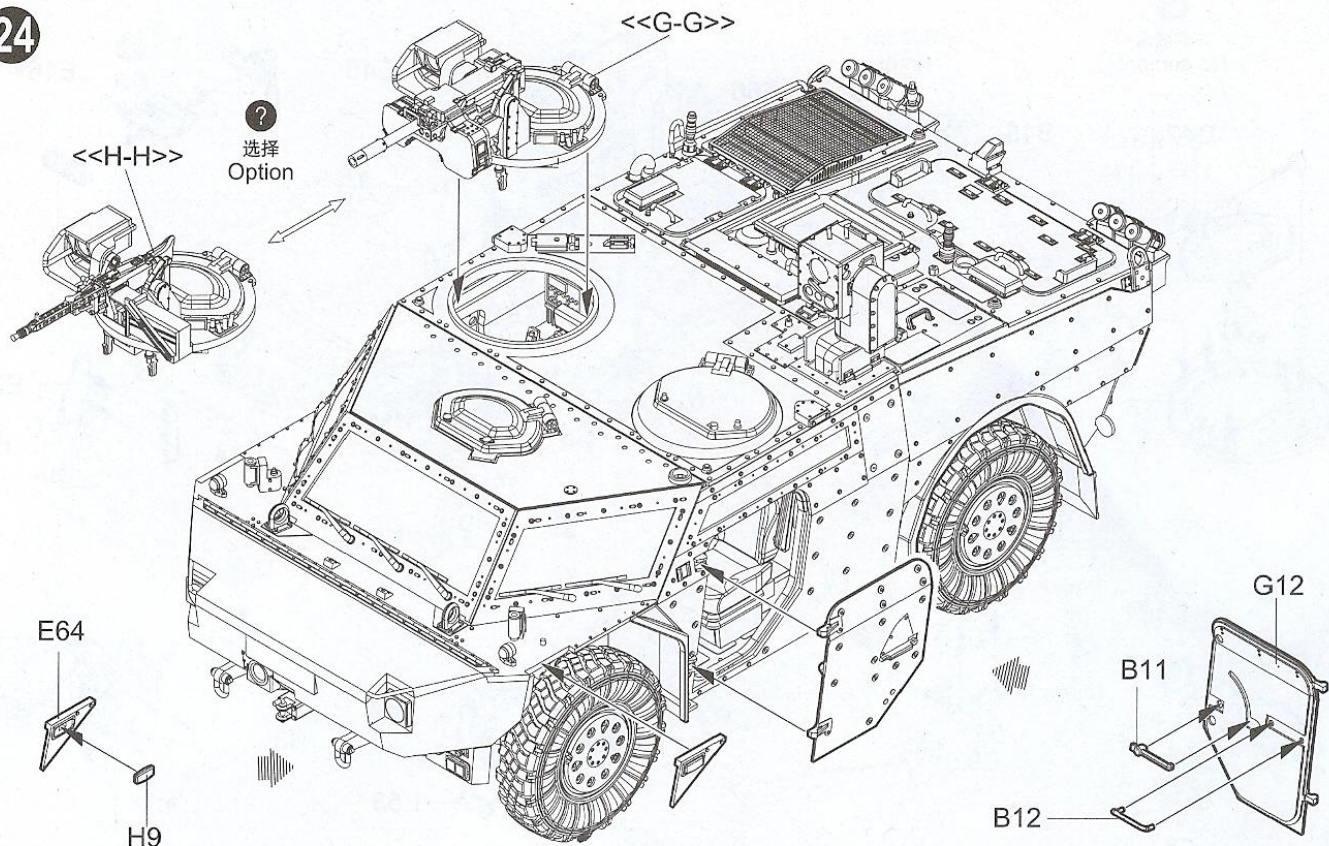
<<F-F>>

弯曲
Bend

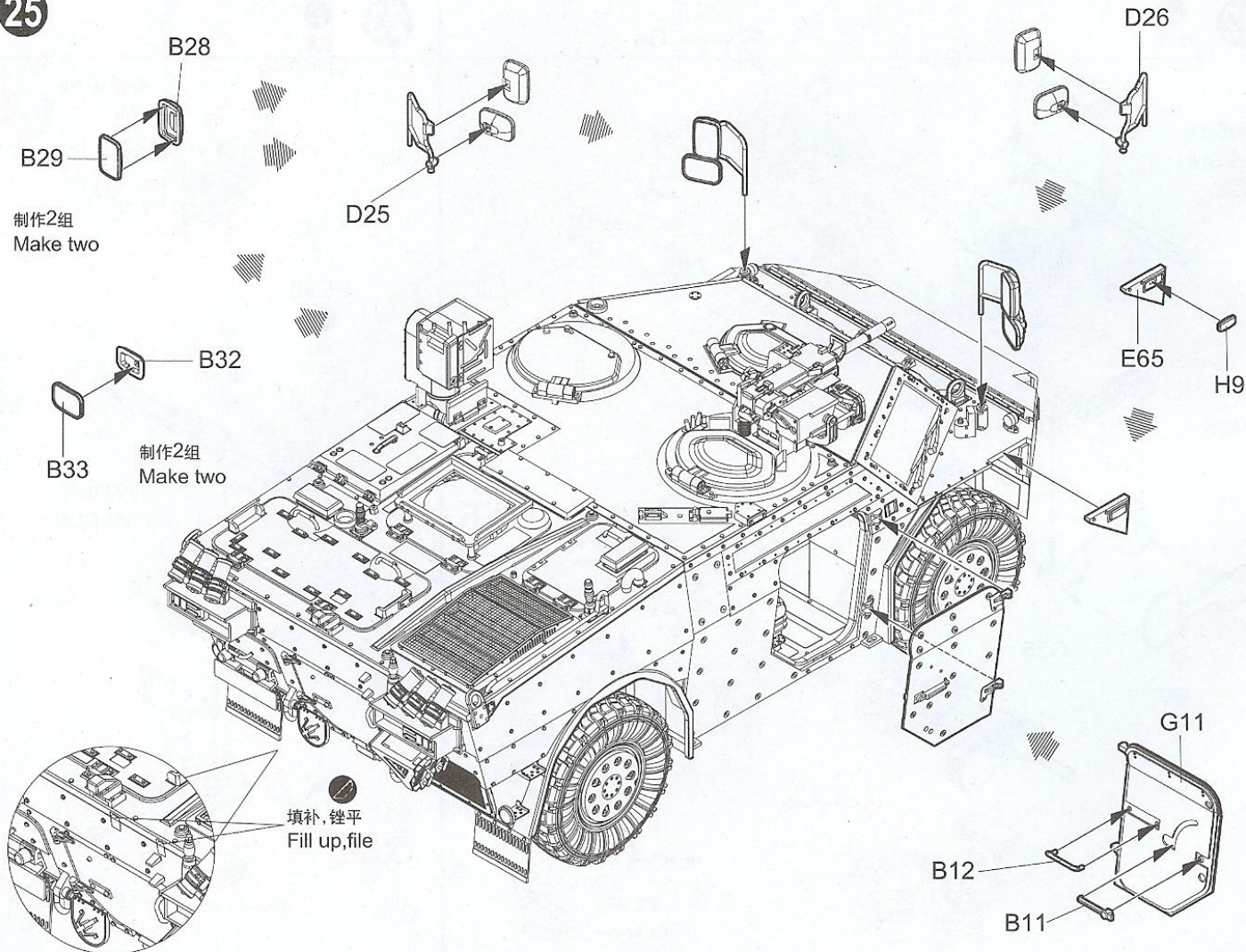
<<M3机枪>>
M3 GUN



24



25



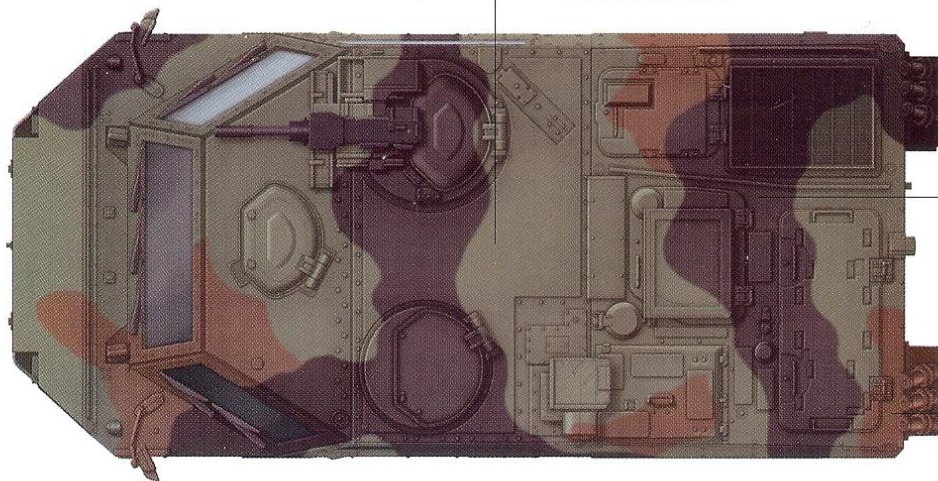
涂装同标贴指示

Painting & Marking guide

COLOR	AMMO OF MIG JIMENEZ	MR. HOBBY	MODEL MASTER	TAMIYA	HUMBROL
TIRE BLACK	A.MIG-084	H 309 309	1710	XF58	116
GUN METAL	A.MIG-085	H 37 43	1701	—	186
BLACK	A.MIG-046	H 12 33	1749	XF1	33
GUN METAL	A.MIG-045	H 18 28	1402	—	—
CRYSTAL ORANGE	A.MIG-097	H 92 49	—	X26	—
SATIN BLACK	A.MIG-033	H 77 137	—	—	—
IDF SAND GRAY 73	A.MIG-098	H 93 50	—	X23	—
DESERT SAND	A.MIG-094	H 8 8	1546	X11	11
CRYSTAL RED	A.MIG-093	H 90 47	—	X27	—

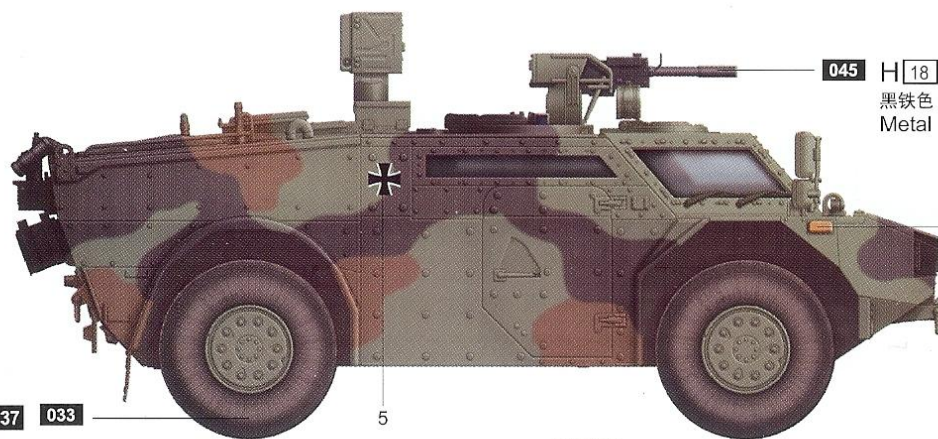
A

H 309 309 084
绿色
Forest Green



046 H 12 33
消光黑
Flat black

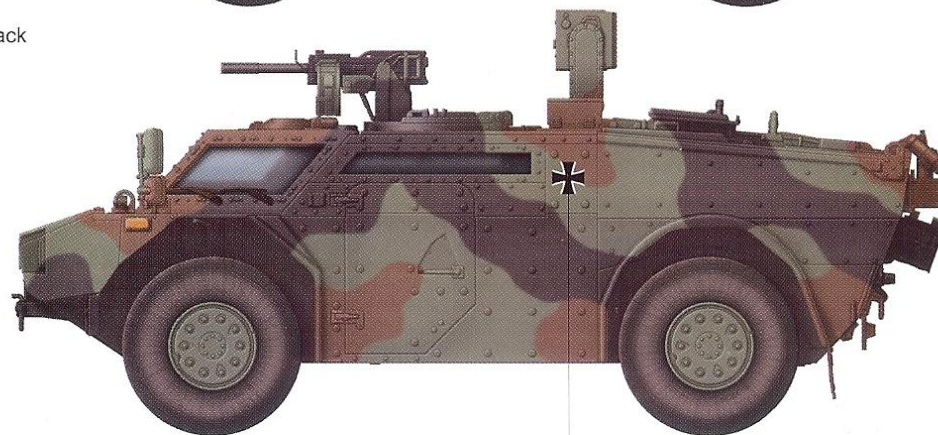
085 H 37 43
木棕色
Wood Brown



045 H 18 28
黑铁色
Metal Black

097 H 92 49
透明橘
Clear Orange

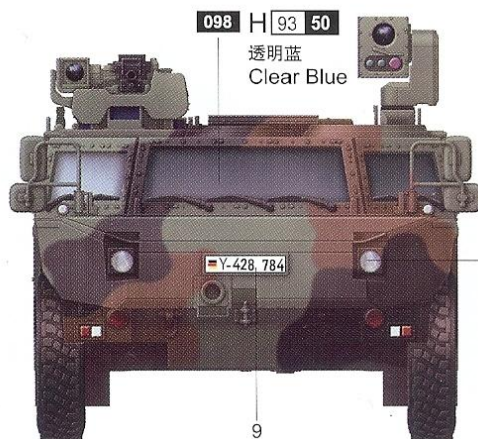
H 77 137 033
胎黑色
Tire Black



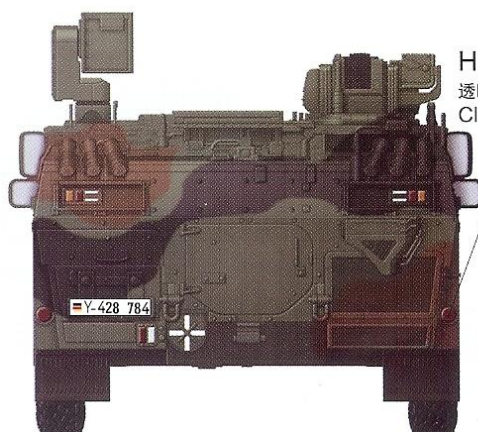
098 H 93 50
透明蓝
Clear Blue

H 90 47
透明红
Clear Red

Color information by MIG Jimenez
for Trumpeter



094 H 8 8
银色
Silver



093

H □ AQUEOUS HOBBY COLOR ■ Mr. COLOR

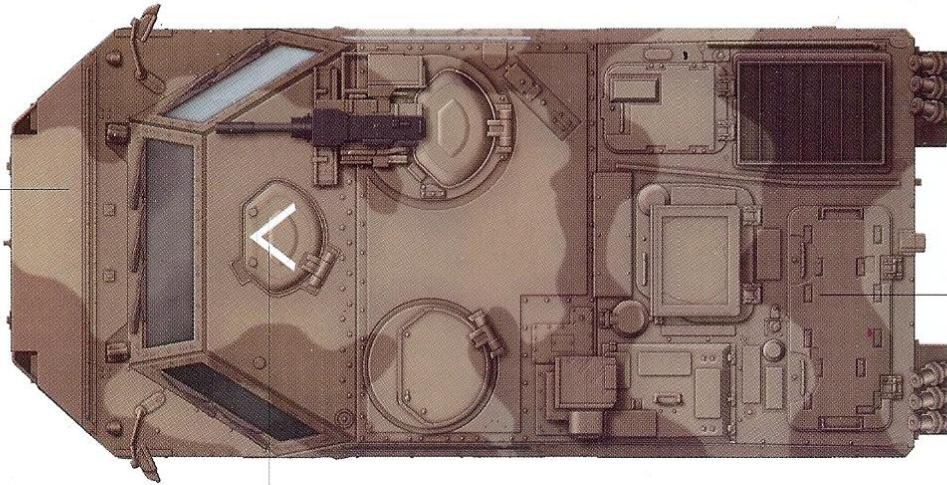
涂装同标贴指示

Painting & Marking guide

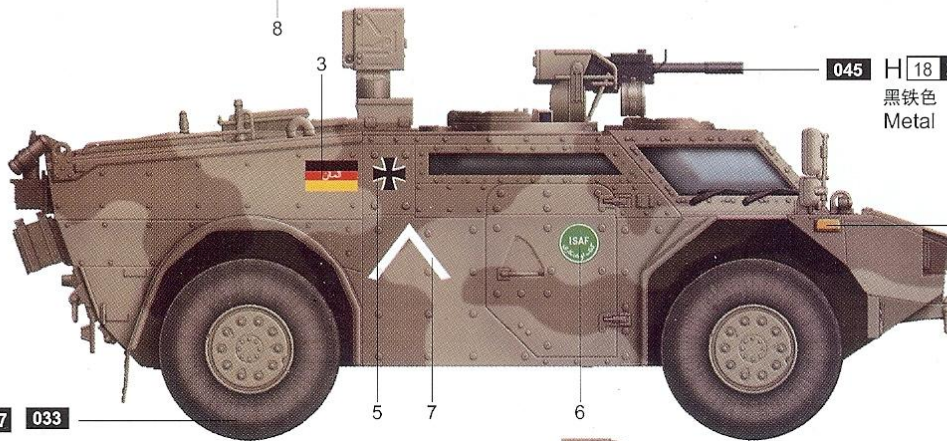
COLOR	AMMO OF MIG JIMENEZ	MR. HOBBY	MODEL MASTER	TAMIYA	HUMBROL
GUN METAL	A.MIG-027	H[79] 39	—	XF59	93
GUN METAL	A.MIG-085	H[37] 43	1701	—	186
CRYSTAL PERISCOPE	A.MIG-045	H[18] 28	1402	—	—
WHITE	A.MIG-097	H[92] 49	—	X26	—
SATIN BLACK	A.MIG-033	H[77] 137	—	—	—
IDF SAND GRAY 73	A.MIG-098	H[93] 50	—	X23	—
DESERT SAND	A.MIG-094	H[8] 8	1546	X11	11
CRYSTAL RED	A.MIG-093	H[90] 47	—	X27	—

B

H[79] 39 027
砂黄色
Sandy Brown



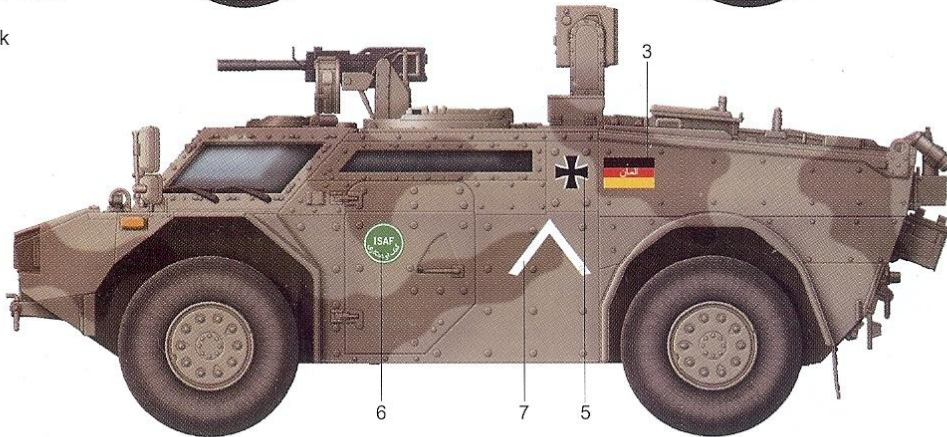
085 H[37] 43
木棕色
Wood Brown



045 H[18] 28
黑铁色
Metal Black

097 H[92] 49
透明橘
Clear Orange

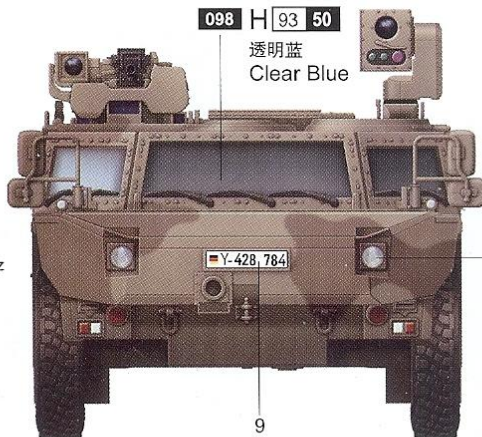
H[77] 137 033
胎黑色
Tire Black



098 H[93] 50
透明蓝
Clear Blue

H[90] 47
透明红
Clear Red

Color information by MIG Jimenez
for Trumpeter



094 H[8] 8
银色
Silver



H AQUEOUS HOBBY COLOR ■ Mr. COLOR