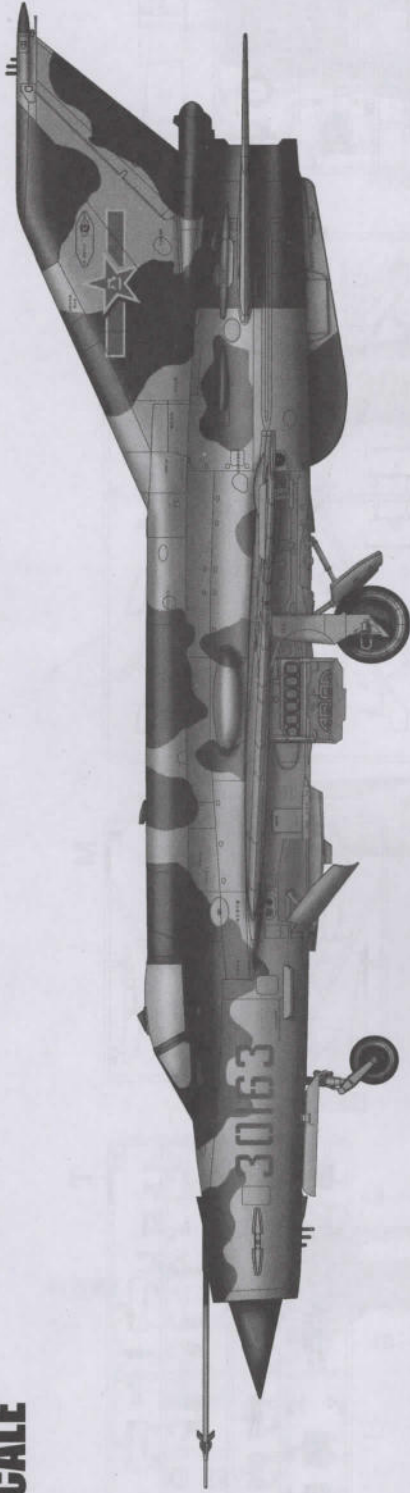


1/48 SCALE

ITEM NO.:02864



# J-7C/J-7D 歼-7C/歼-7D战斗机

### READ BEFORE ASSEMBLY:

- This kit is not recommended for inexperienced modelers or for children under 14 years of age
- Study and understand these instructions thoroughly before beginning assembly
- When needed, remove photo-etch parts carefully using a modeling knife or photo etch sprue cutter, being careful not to damage or lose small parts.
- Take extra care in handling photo etch parts in order to avoid injury
- Apply instant cement sparingly to photo etch parts where instructed

- Tools recommended(not included in kit):Plastic and instant cements,sprue cutters,long nose pliers,modeling knife, small files, tweezers, pin vise & scissors. Soft cloth and sandpaper will also assist in construction
- Glue and paint are not included in the kit. Use plastic cement and hobby paints only. Color guide for purchasing paint is included in the kit.
- Keep out of reach of children. They must not be allowed to ingest small parts or handle plastic bags in any way.

### 装配之前仔细阅读

- 小心用模型锉刀锉平所有零件表面的注射浇口。
- 小心用刀片切下蚀刻片零件，不要遗失小零件。
- 用强力快干胶水粘合蚀刻片零件和金属轴。过量的快干胶水使用可能导致可动零件会粘住，小心涂胶。
- 取蚀刻片时应特别注意安全，防止利边划伤手指。
- 某些零件表面需贴水上贴纸，请选择在装配的同时进行。
- 推荐模型工具(自备)：胶水，水口剪刀，长咀钳，刀片，锉刀，镊子钳，钻，剪刀，瞬间快干胶。
- 软布同砂纸同时也应该是必备工具。
- 请使用塑料胶水和油漆，模型内不含。
- 谨防小孩吸吮塑料零件，或者将塑料袋套在头上，制作时应将套材远离小孩接触。
- 本产品不适合14岁以下没有经验的模型爱好者。

### 水贴纸的使用:

- 1.从水贴纸上剪下印花;
- 2.将印花放入温水中浸10秒, 然后放在干净布上。
- 3.拿着印花纸板将印花移到模型上;
- 4.手指蘸水将印花移到适当的位置;
- 5.用软布轻压印花直至水干, 气泡消失。

### DECAL APPLICATION:

- 1.Cut decals from sheet as needed
2. Dip the decal in warm water for about 10 seconds and then place on soft clean cloth.
3. Hold the decal backing sheet edge and gently slide the decal onto the model in its proper position.

4. While still wet,decal can be adjusted for better fit on model by dampening it gently with your finger.

5. When placed in the proper position,gently press decal down with a soft cloth until excess water and air bubbles are gone.

6. Allow decal to dry completely before handling model



使用强力胶



配重 Weight



钻孔 Make hole



切除 Cut / Remove



贴纸 Decal



锉平 File / Sand



选择 Option

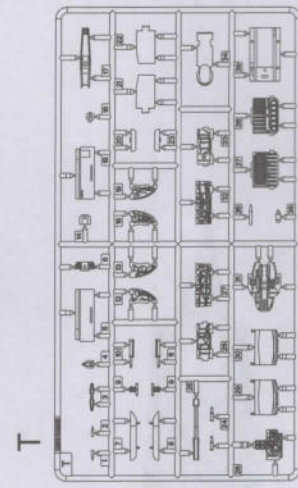


不涂胶水 No cement

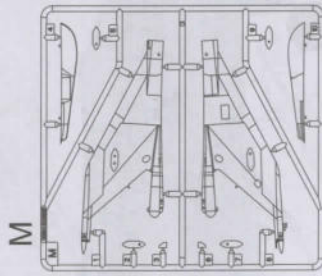


弯曲 Bend

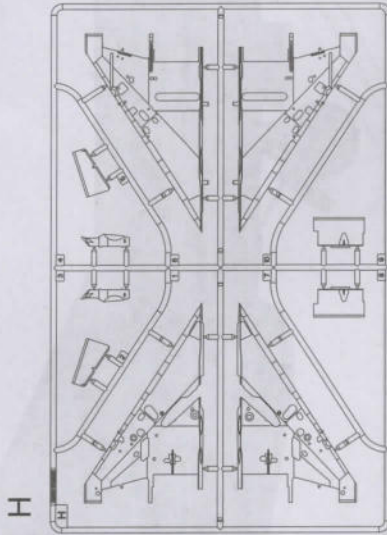
部品图  
Parts



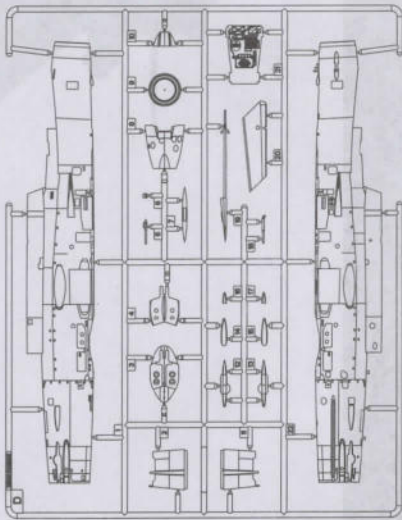
T



M

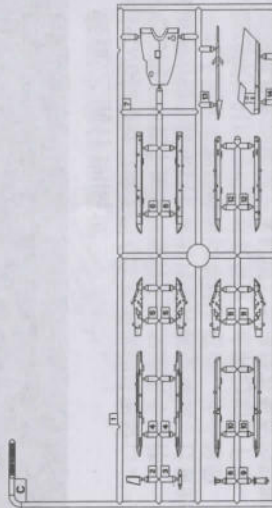


H

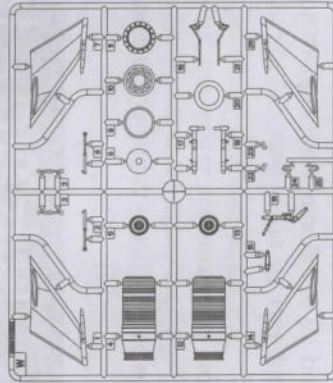


D

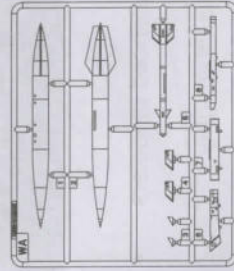
C



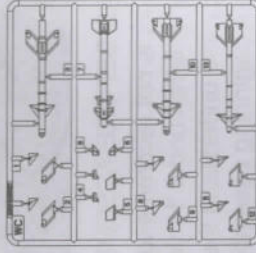
W



WAx2



WC x2



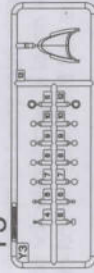
《水贴》  
Decal



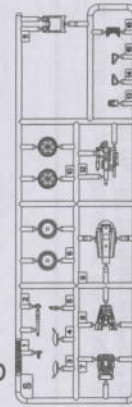
Z2



Y3



S



《主轮胎》x2  
Main tyre



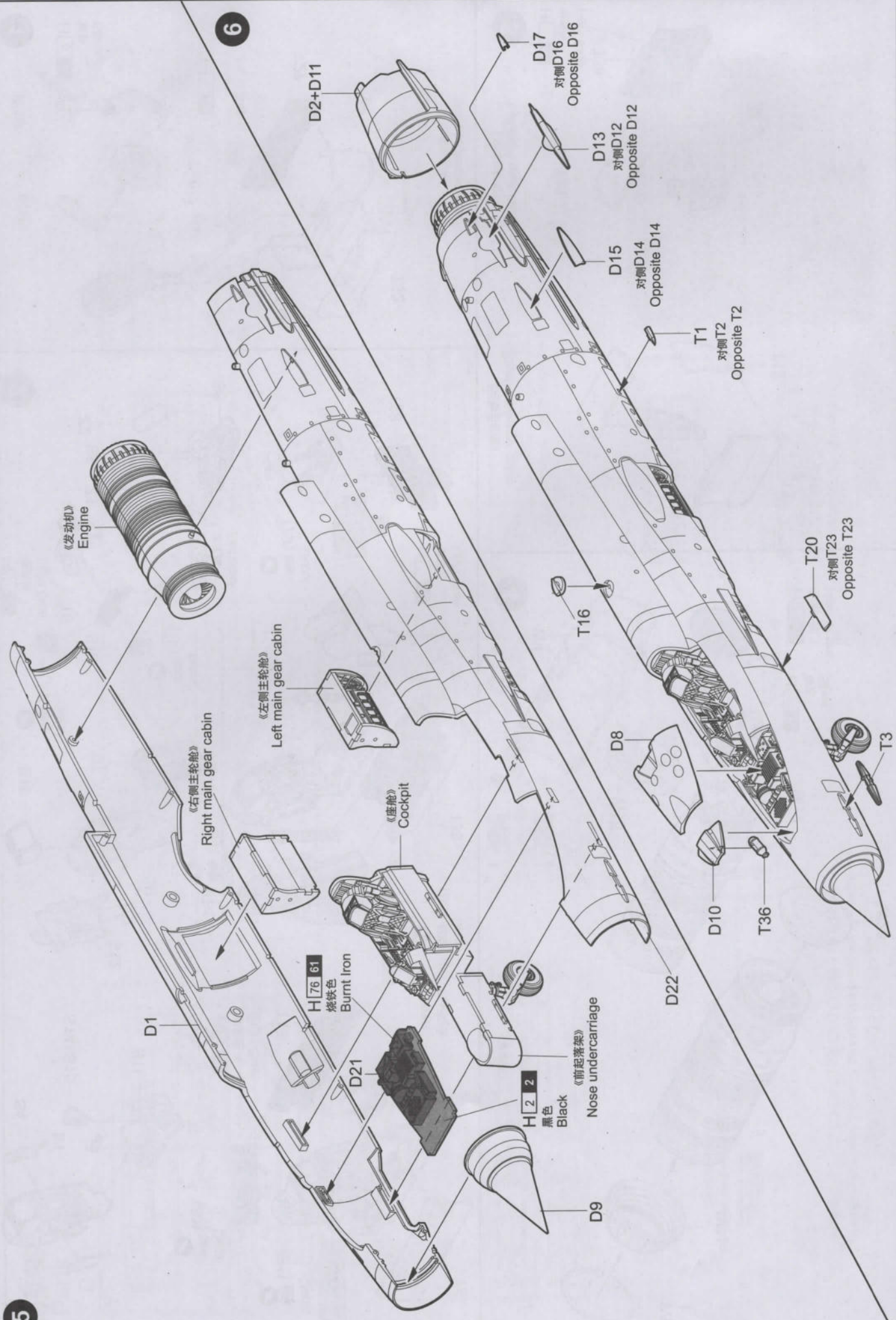
《蚀刻片》  
Photo etched part(PE)



不用部品: C2 C3 C4 C7 C8 C9 C13 C14 Y4 Y5 Y7 Y9  
Unused Parts Y11 Y12 Y13 Z3 WA3 WA4 W5 W6 W8 WC1  
WC2 WC3 PE1 PE2 PE5 PE6 PE7



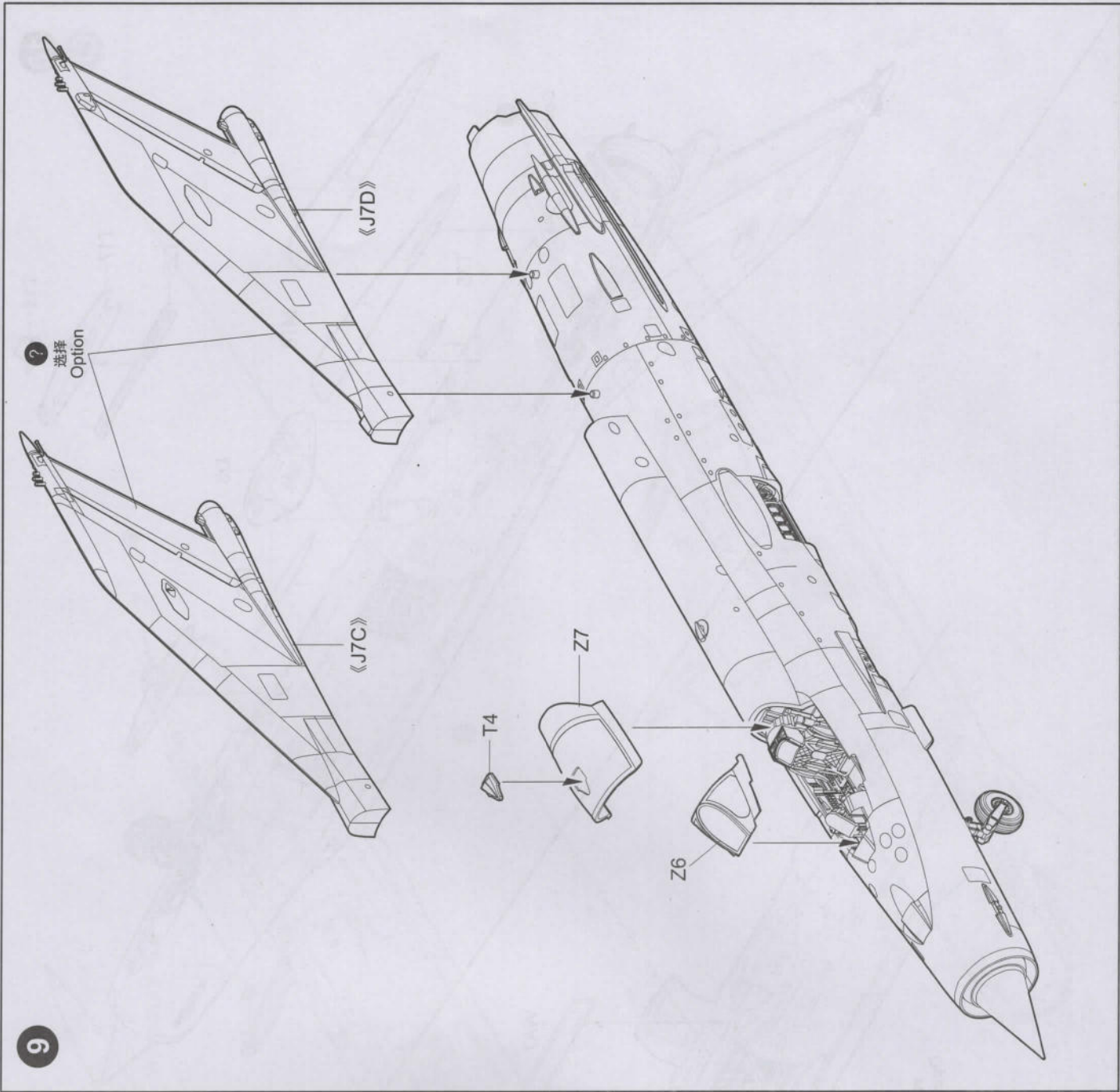
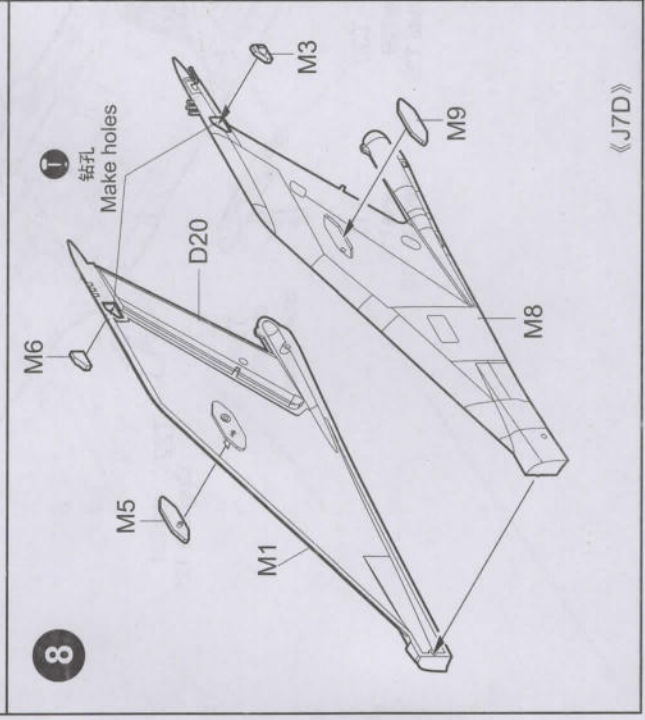
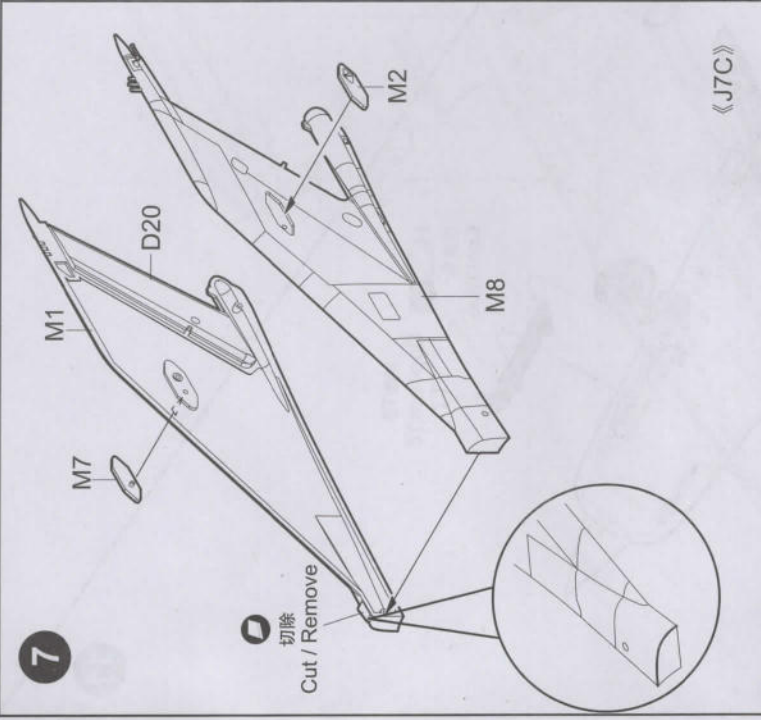
5

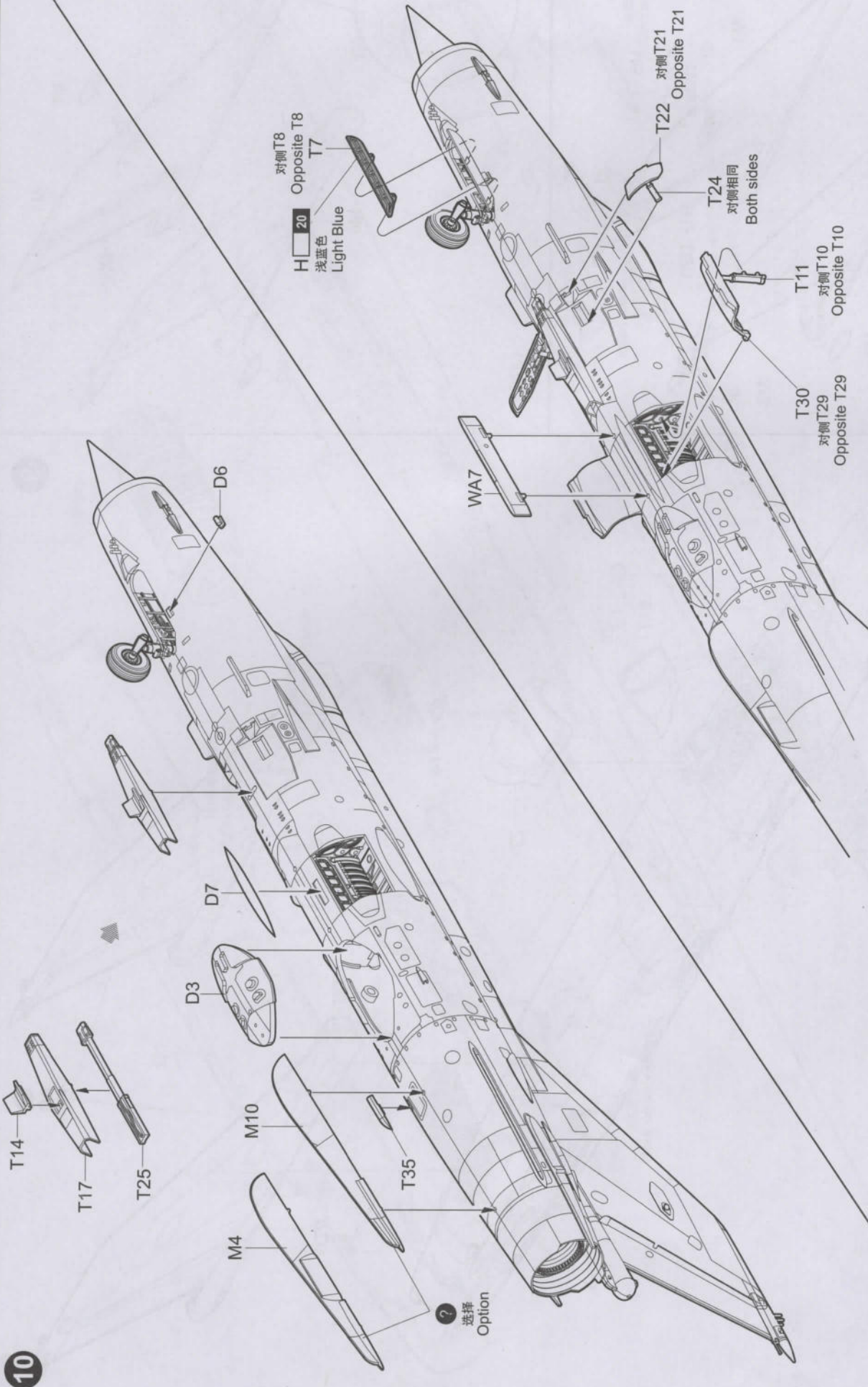


6

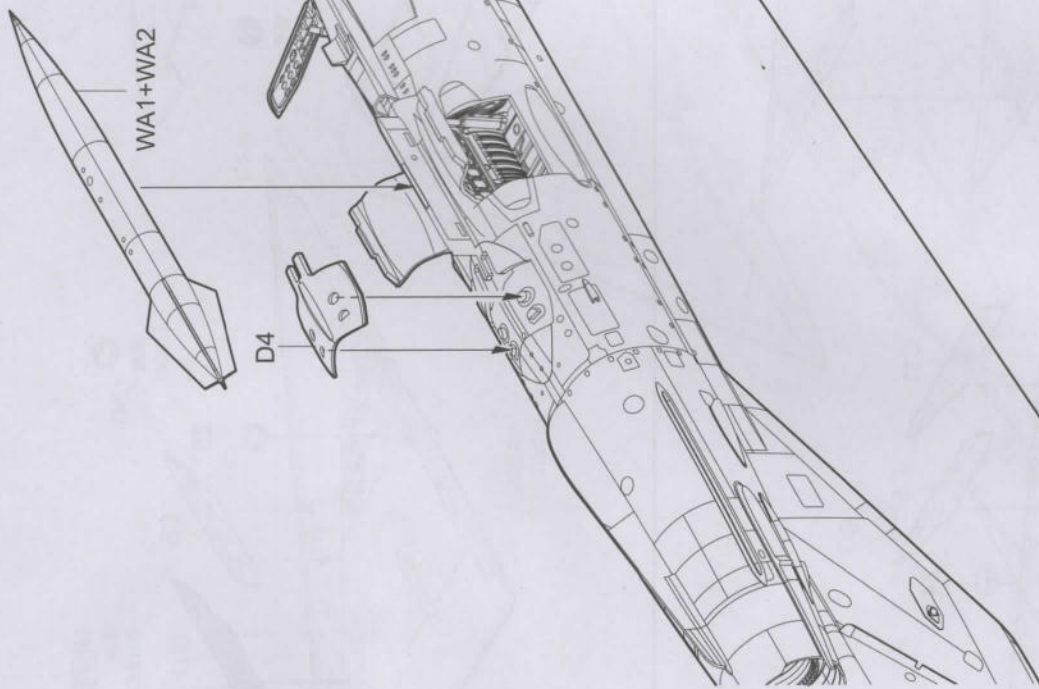
4

02864

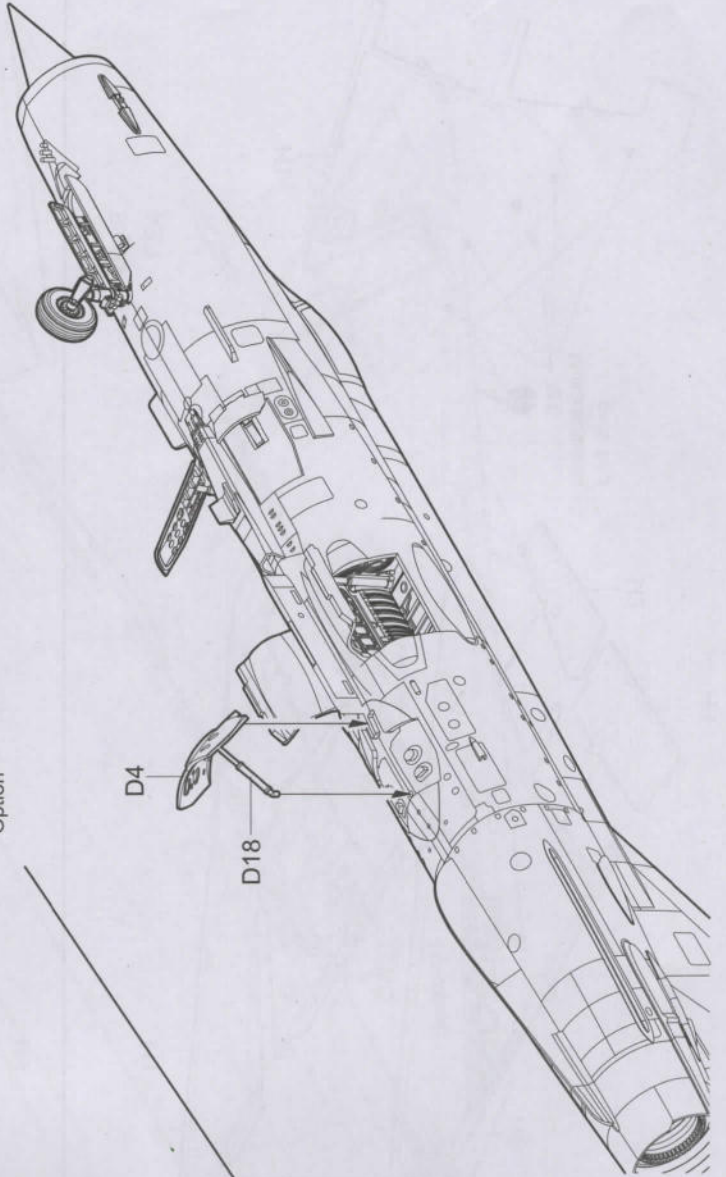




12

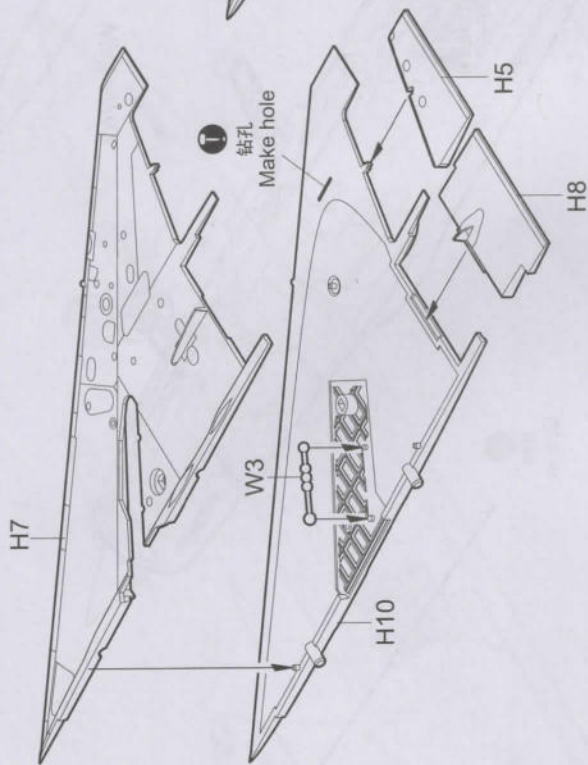
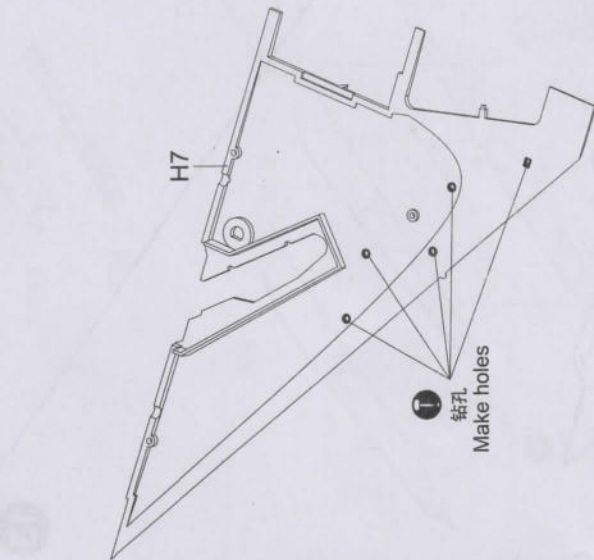


13

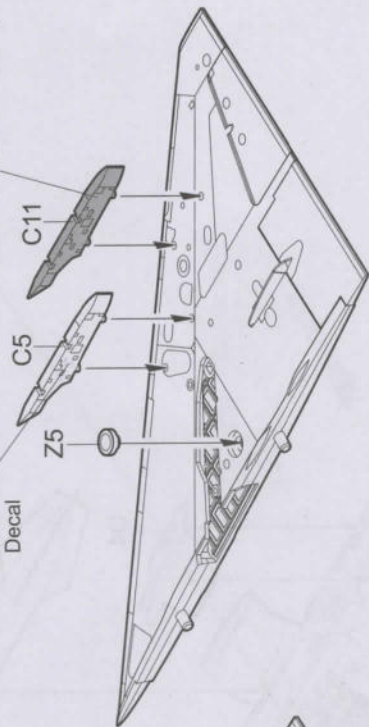


14

《左侧机翼》  
Left wing

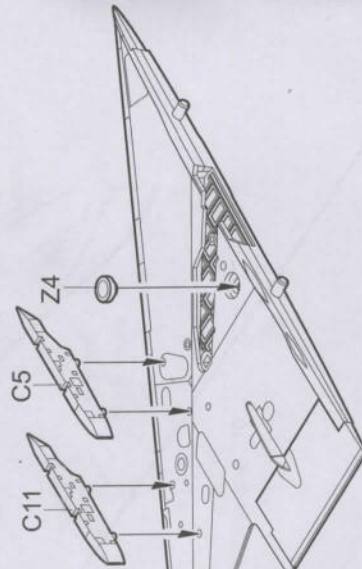
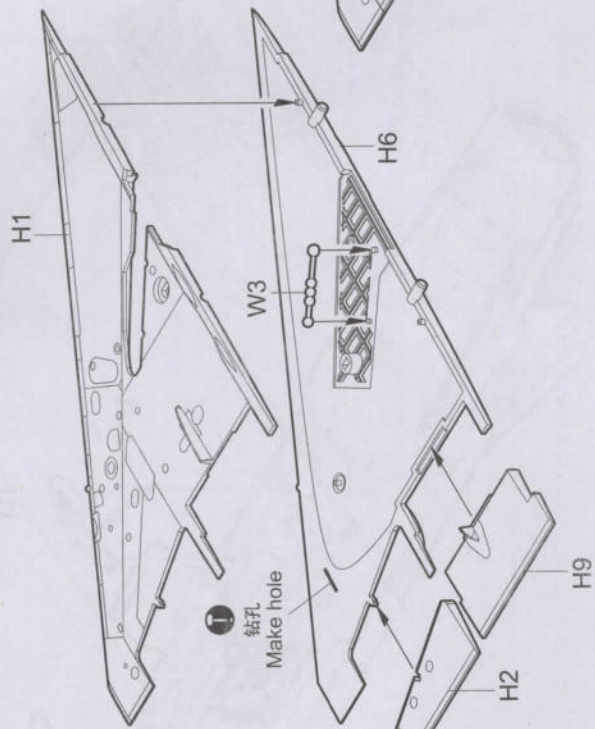
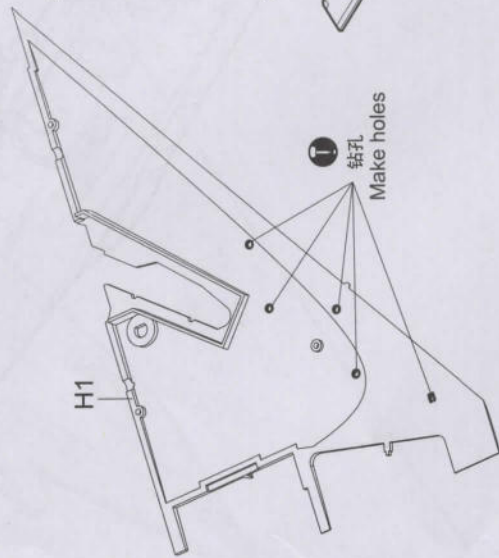


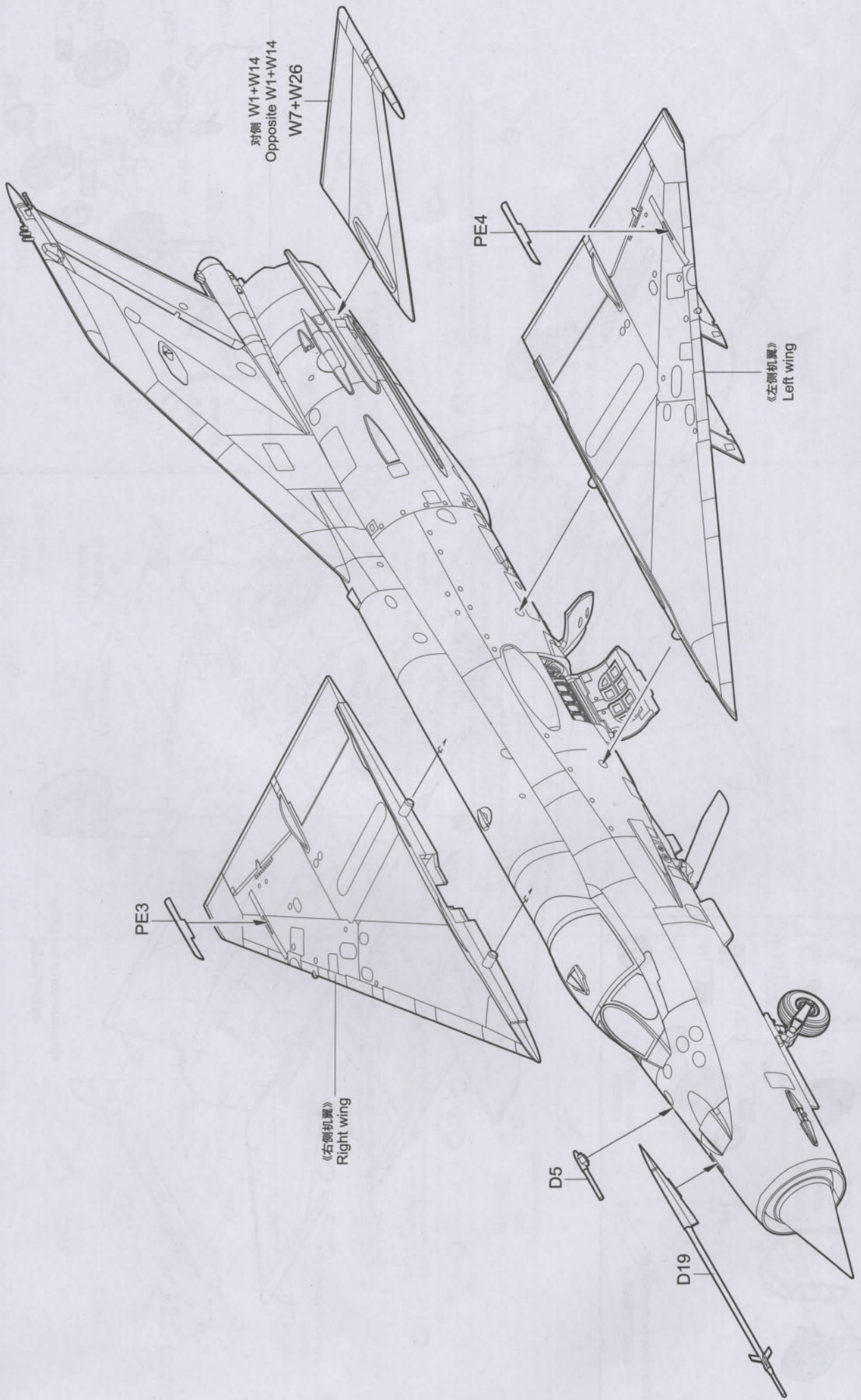
 (24)  
 贴纸  
 Decal  
 H 307 307  
 灰色  
 Dark Compas Ghost Grey  
 C11  
 C5  
 Z5



15

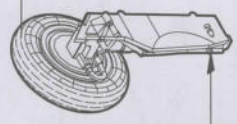
《右侧机翼》  
Right wing





19

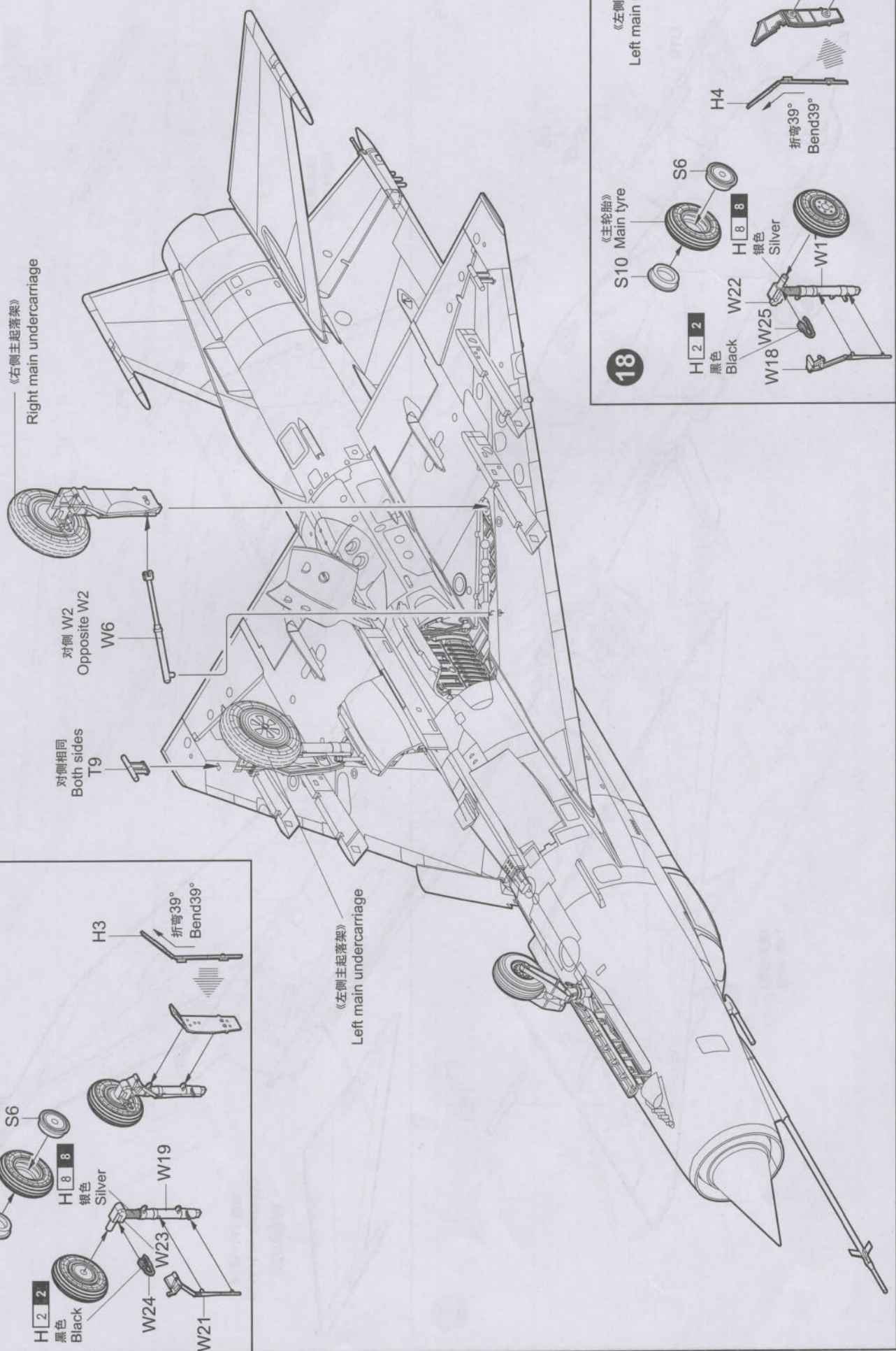
《右侧主起落架》  
Right main undercarriage



对侧 W2  
Opposite W2  
W6

对侧相同  
Both sides  
T9

《左侧主起落架》  
Left main undercarriage



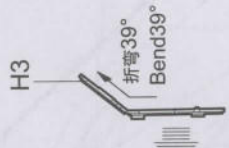
《右侧主起落架》  
Right main undercarriage

《主轮胎》  
Main tyre  
S10



H8 8  
银色 Silver

H2 2  
黑色 Black



H3

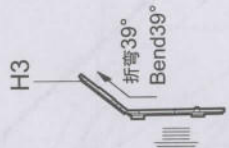
折弯39°  
Bend39°

17



H8 8  
银色 Silver

H2 2  
黑色 Black



H4

折弯39°  
Bend39°

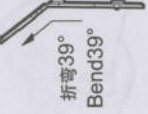
18

《主轮胎》  
Main tyre  
S10



H8 8  
银色 Silver

H2 2  
黑色 Black



H4

折弯39°  
Bend39°



H8 8  
银色 Silver

H2 2  
黑色 Black



W22

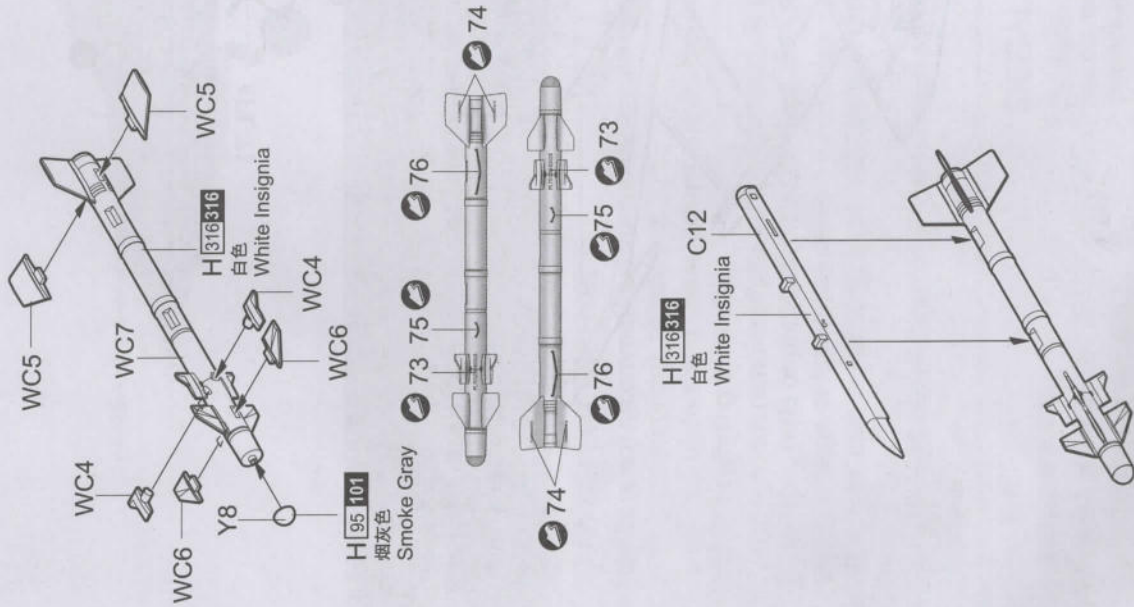
W18

W25

W1

20

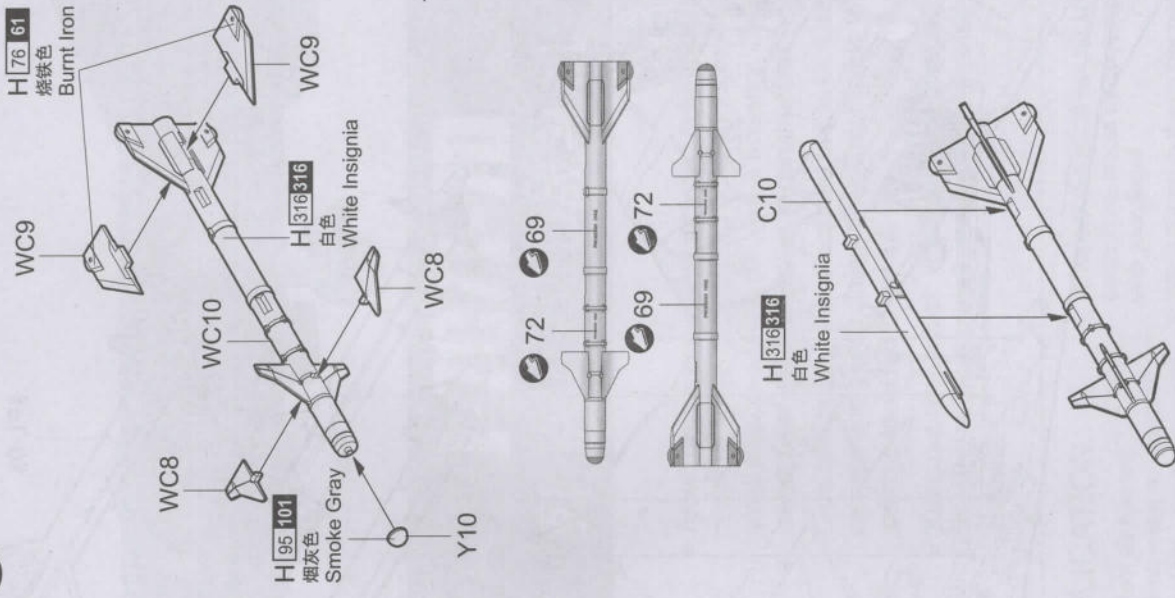
《PL-7》



制做2组  
Make two

21

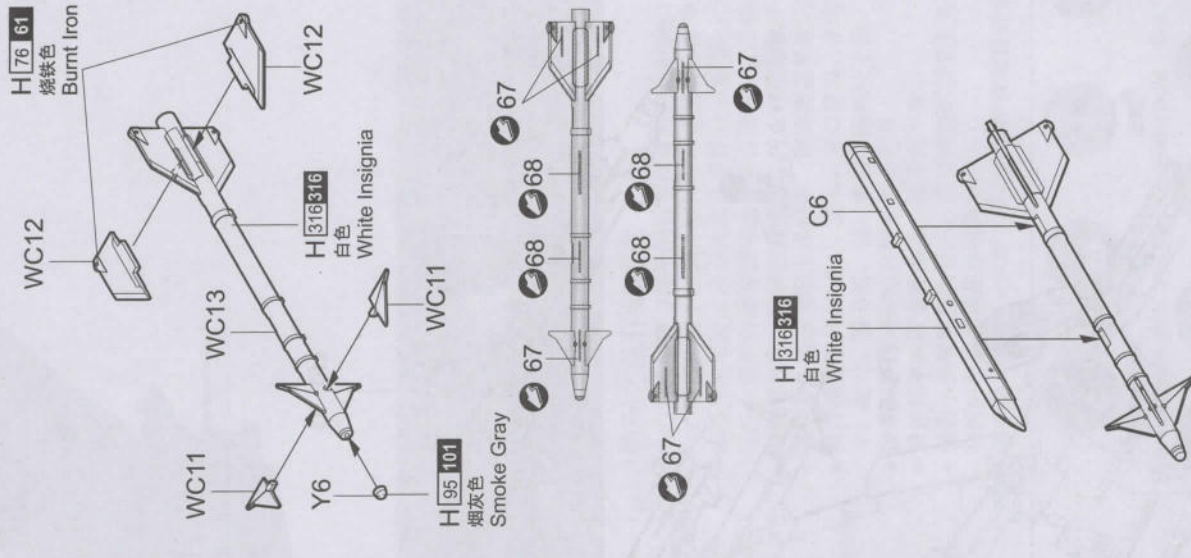
《PL-9》



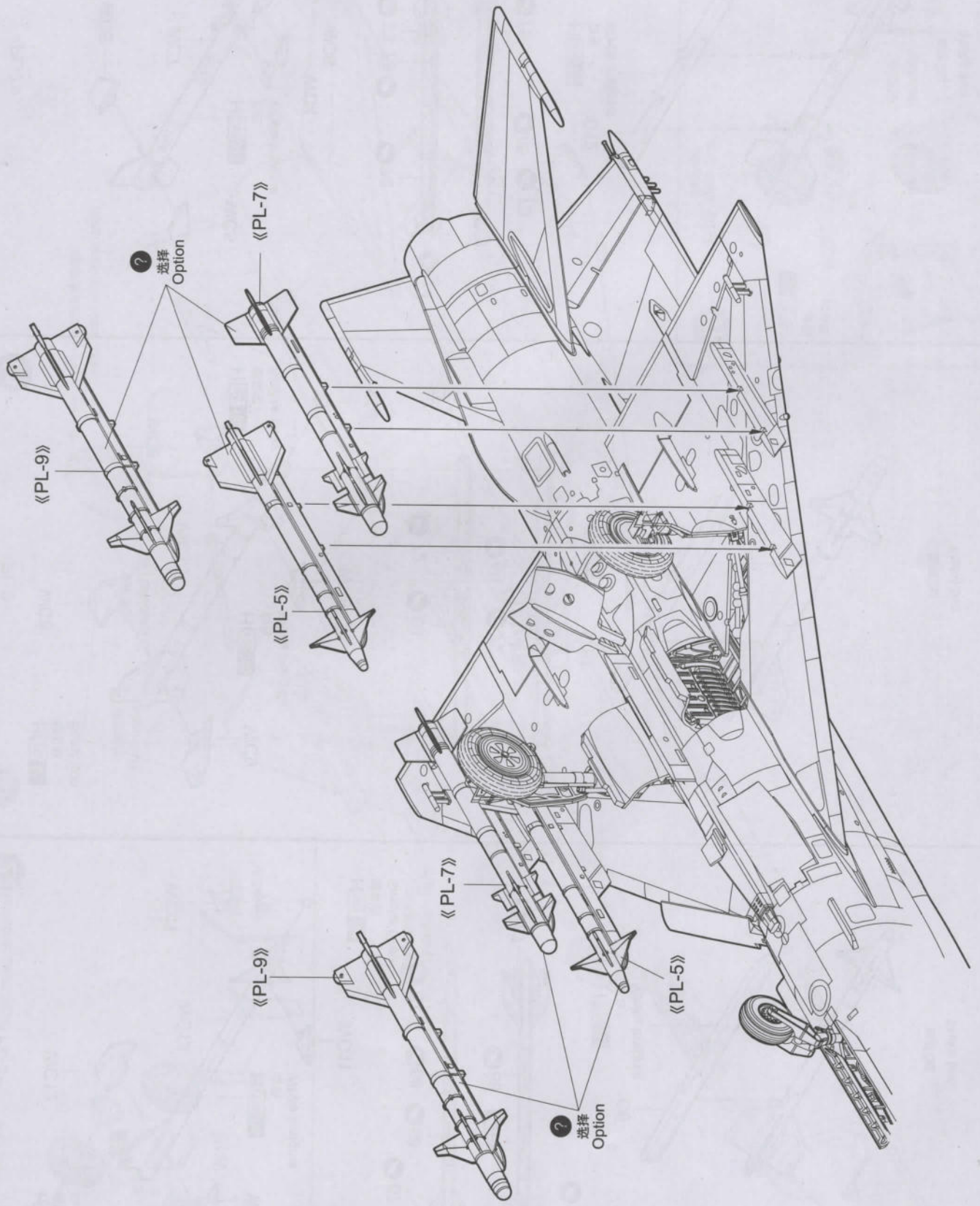
制做2组  
Make two

22

《PL-5》



制做2组  
Make two



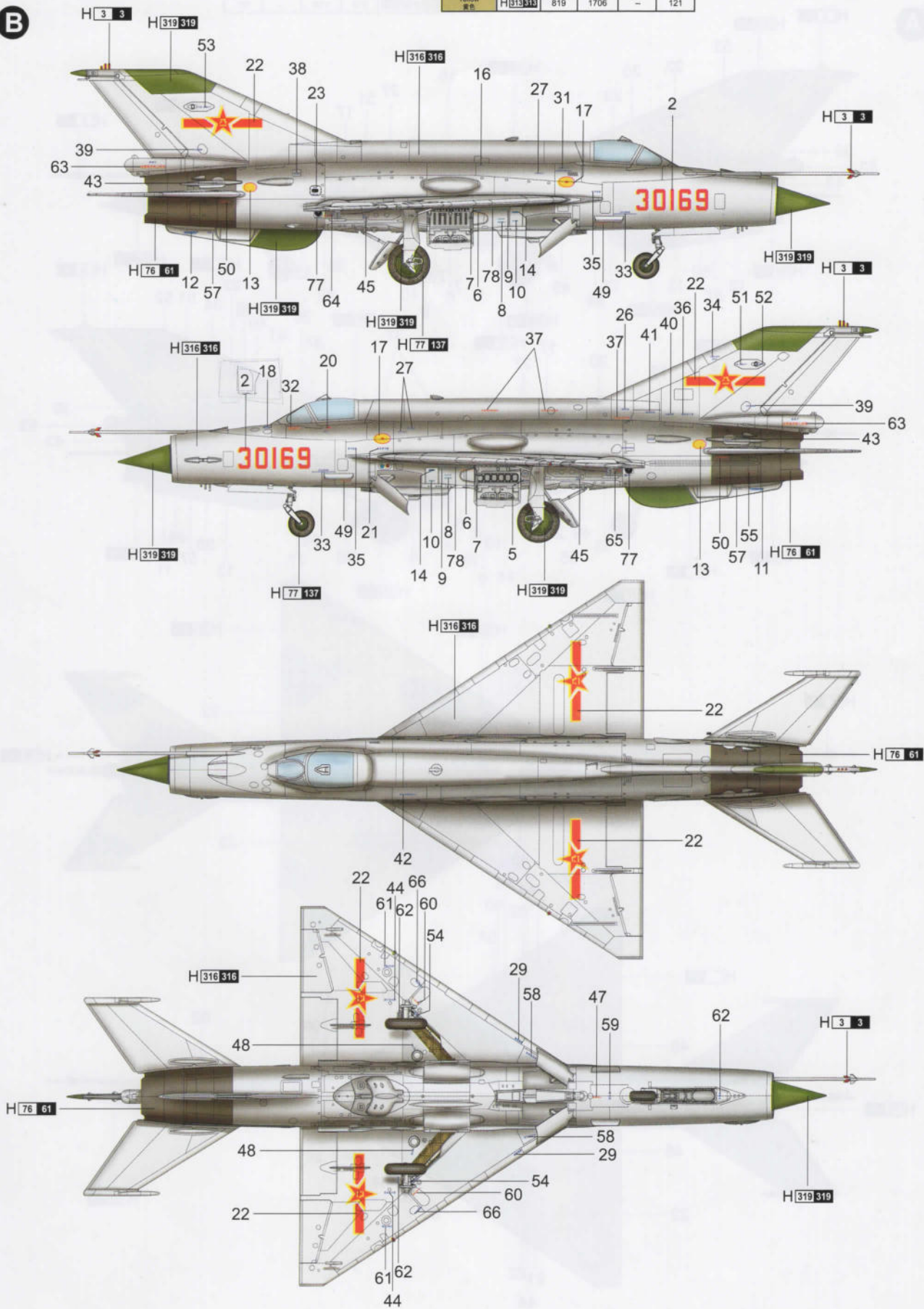
# 涂装同标贴指示

## Painting & Marking guide

PAINT REFERENCE COLOUR

Color	Mr.Hobby	Vallejo	Model Master	Tamiya	Humbrol	Color	Mr.Hobby	Vallejo	Model Master	Tamiya	Humbrol
White 白色	H 010 316	991	1745	X2	22	Tie Black 黑色	H 77 137	-	-	-	-
Red 红色	H 3 3	908	1503	X7	19	Light Green 浅绿色	H 319 319	-	1713	-	117
Burnt Iron 褐色	H 76 61	863	1795	X10	53	RLM76 Light Blue 浅蓝色	H 117	907	1731	-	146
Dark Green 深绿色	H 002 302	-	1713	XF20	117						
Yellow 黄色	H 319 319	819	1706	-	121						

**B**



H  AQUEOUS HOBBY COLOR     Mr. COLOR

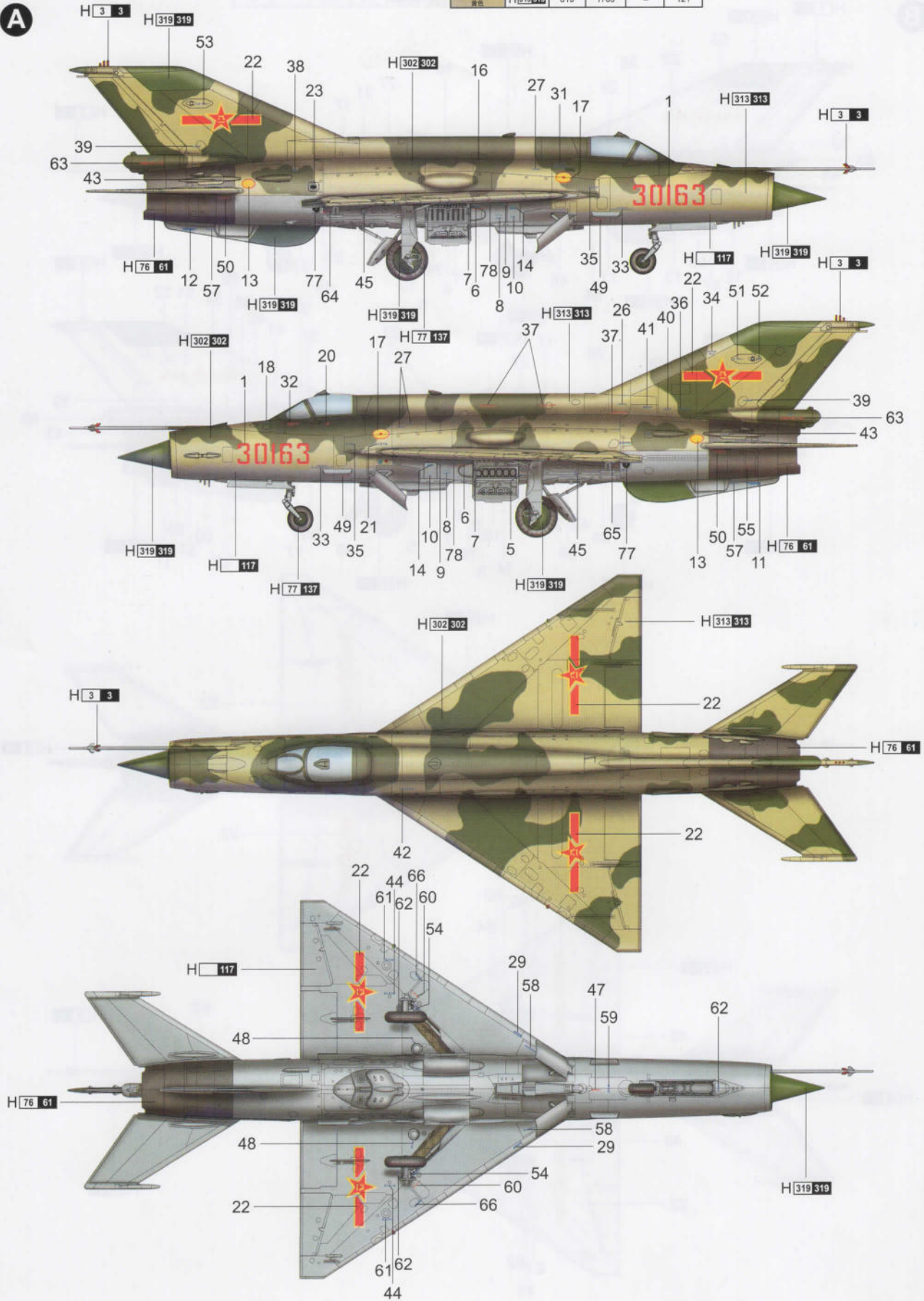
# 涂装同标贴指示

## Painting & Marking guide

PAINT REFERENCE COLOUR

Color	Mr.Hobby	Vallejo	Model Master	Tamiya	Humbrol	Color	Mr.Hobby	Vallejo	Model Master	Tamiya	Humbrol
White 白色	H[616]318	991	1745	X2	22	Tire Black 轮胎色	H[77]137	-	-	-	-
Red 红色	H[3]3	908	1503	X7	19	Light Green 浅绿色	H[319]319	-	1713	-	117
Burnt Iron 锈棕色	H[76]61	863	1795	X10	53	RLM78 Light Blue 浅蓝色	H[117]117	907	1731	-	146
Dark Green 深绿色	H[302]302	-	1713	XF20	117						
Yellow 黄色	H[13]313	819	1706	-	121						

**A**



H [ ] AQUEOUS HOBBY COLOR    X Mr. COLOR