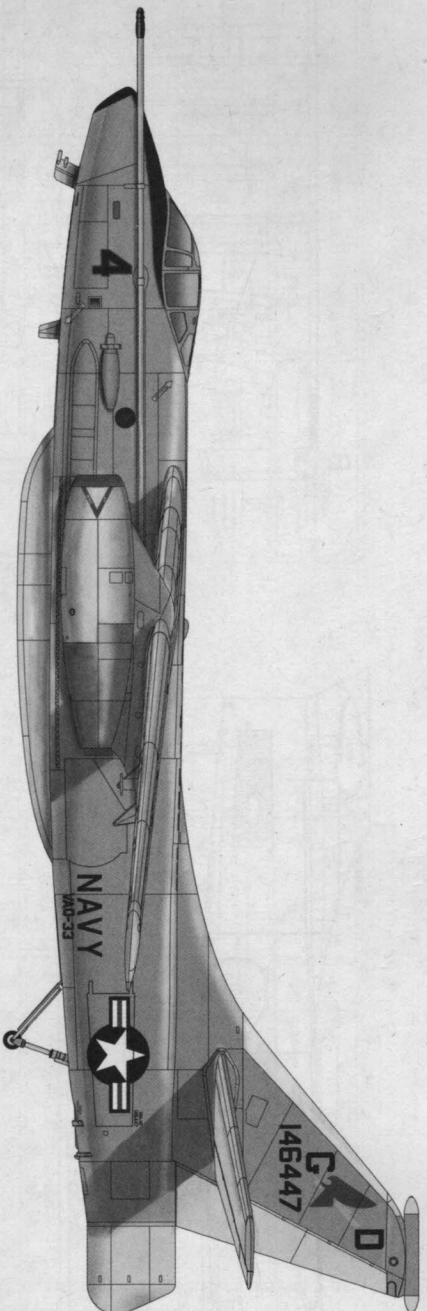


1/48 scale

ITEM NO.:02873



ERA-3B Skywarrior Strategic Bomber

美国ERA-3B“空中勇士”攻击机

READ BEFORE ASSEMBLY:

- This kit is not recommended for inexperienced modelers or for children under 14 years of age
- Study and understand these instructions thoroughly before beginning assembly
- When needed, remove photo-etch parts carefully using a modeling knife or photo etch sprue cutter, being careful not to damage or lose small parts.
- Take extra care in handling photo etch parts in order to avoid injury
- Apply instant cement sparingly to photo etch parts where instructed

水贴纸的使用:

1. 从水贴纸上剪下印花;
2. 将印花放入温水中浸10秒, 然后放在干净布上;
3. 拿着印花纸版将印花移到模型上;
4. 手指蘸水将印花移到适当的位置;
5. 用软布轻压印花直至水干, 气泡消失。

DECAL APPLICATION:

1. Cut decals from sheet as needed
2. Dip the decal in warm water for about 10 seconds and then place on soft clean cloth.
3. Hold the decal backing sheet edge and gently slide the decal onto the model in its proper position.

- Tools recommended(not included in kit):Plastic and instant cements,sprue cutters,long nose pliers,,modeling knife, small files, tweezers, pin vise & scissors. Soft cloth and sandpaper will also assist in construction
- Glue and paint are not included in the kit. Use plastic cement and hobby paints only. Color guide for purchasing paint is included in the kit.
- Keep out of reach of small children. They must not be allowed to ingest small parts or handle plastic bags in any way.

装配之前仔细阅读

- 小心用模型锉刀锉平所有零件表面的注射浇口。
- 小心用刀片切下蚀刻片零件, 不要遗失小零件。
- 用强力快干胶水粘合蚀刻片零件和金属轴。过量的快干胶水使用可能导致可动零件会粘住, 小心涂胶。
- 取蚀刻片时应特别注意安全, 防止利边划伤手指。
- 某些零件表面需贴水上贴纸, 请选择在装配的同时进行推荐模型工具(自备): 胶水, 水口剪刀, 长咀钳, 刀片, 锉刀, 镊子钳, 钻, 剪刀, 瞬间快干胶。
- 软布同砂纸同时也应该是必备工具。
- 请使用塑料胶水和油漆, 模型内不含。
- 谨防小孩吸吮塑料零件, 或者将塑料袋套在头上, 制作时应将套材远离小孩接触。
- 本产品不适合14岁以下没有经验的模型爱好者。



使用强力胶



配重



钻孔



切除



贴纸



锉平



选择



不涂胶水



弯曲

Decal

File / Sand

Option

No cement

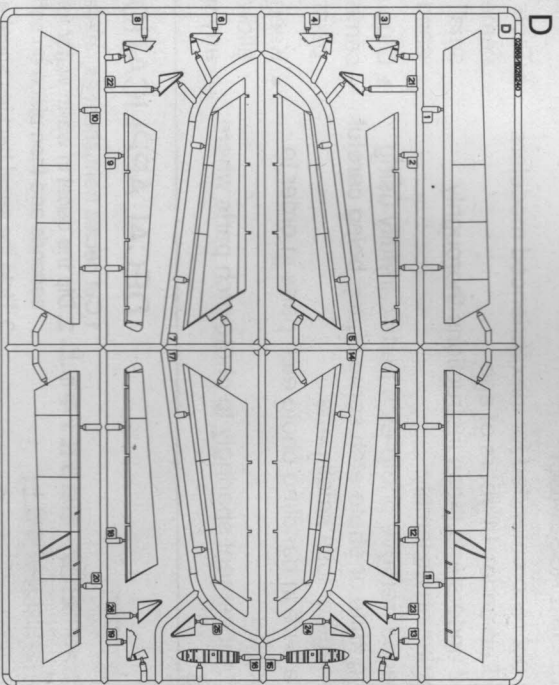
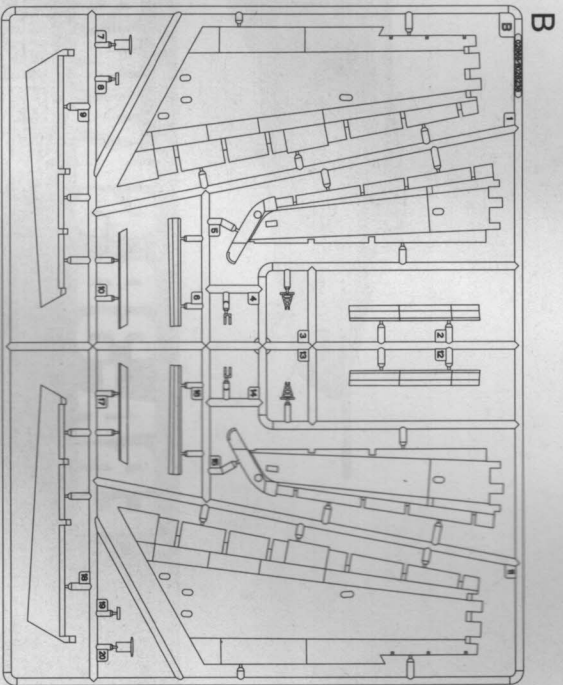
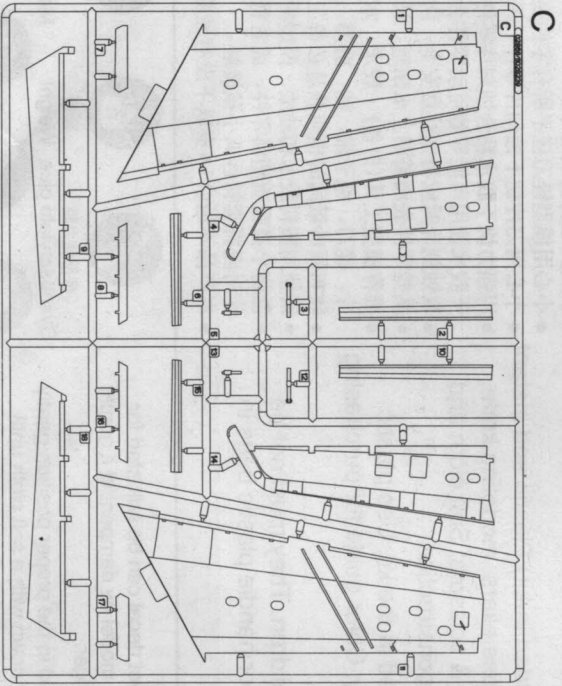
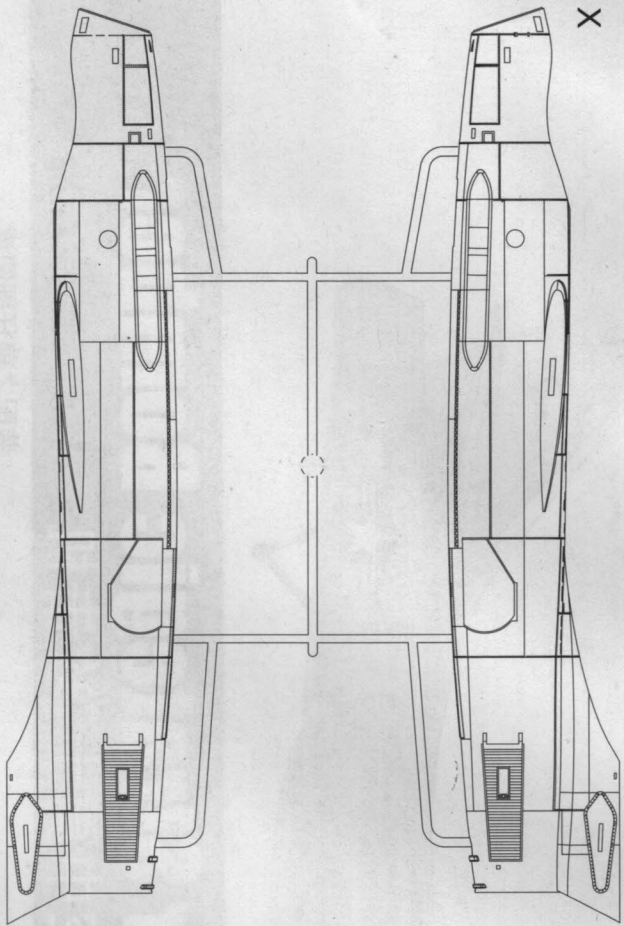
Bend

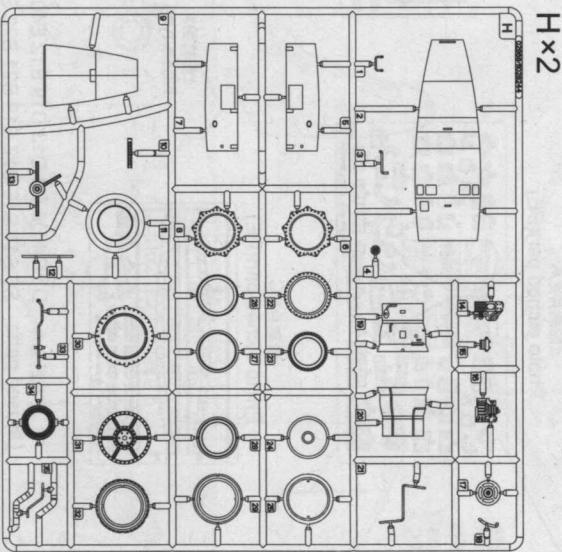
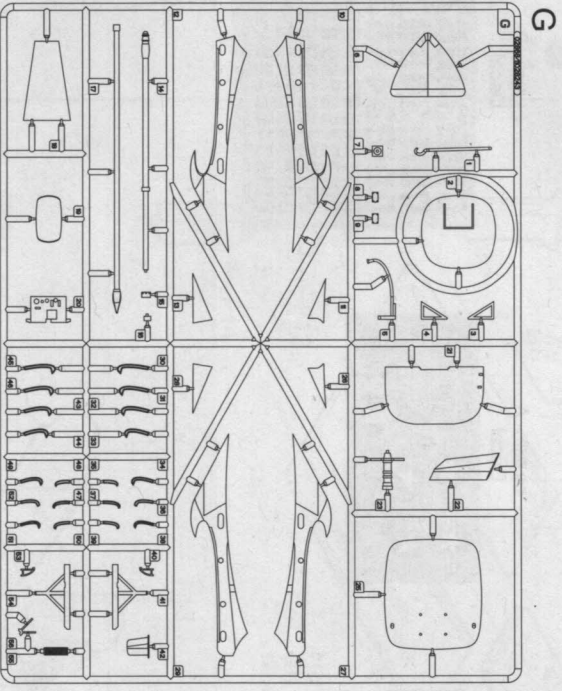
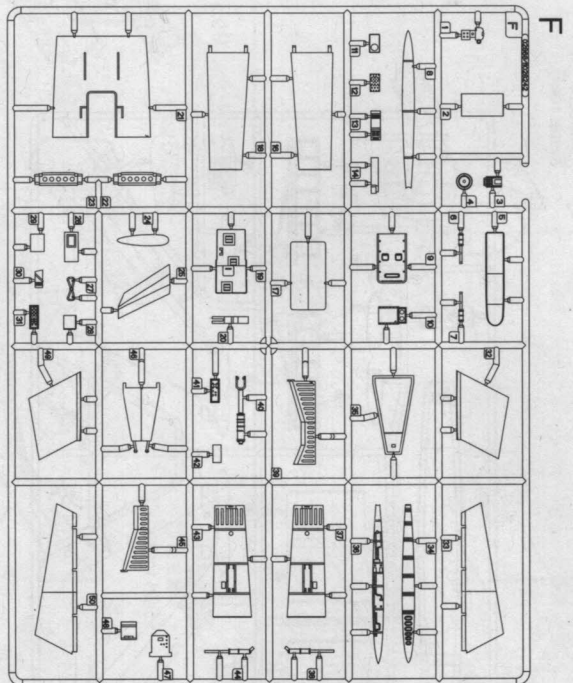
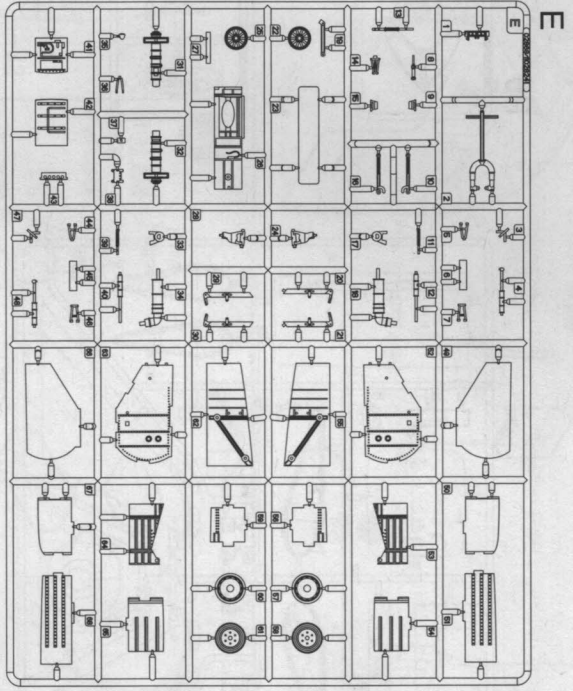
Cyanoacrylate glue Weight

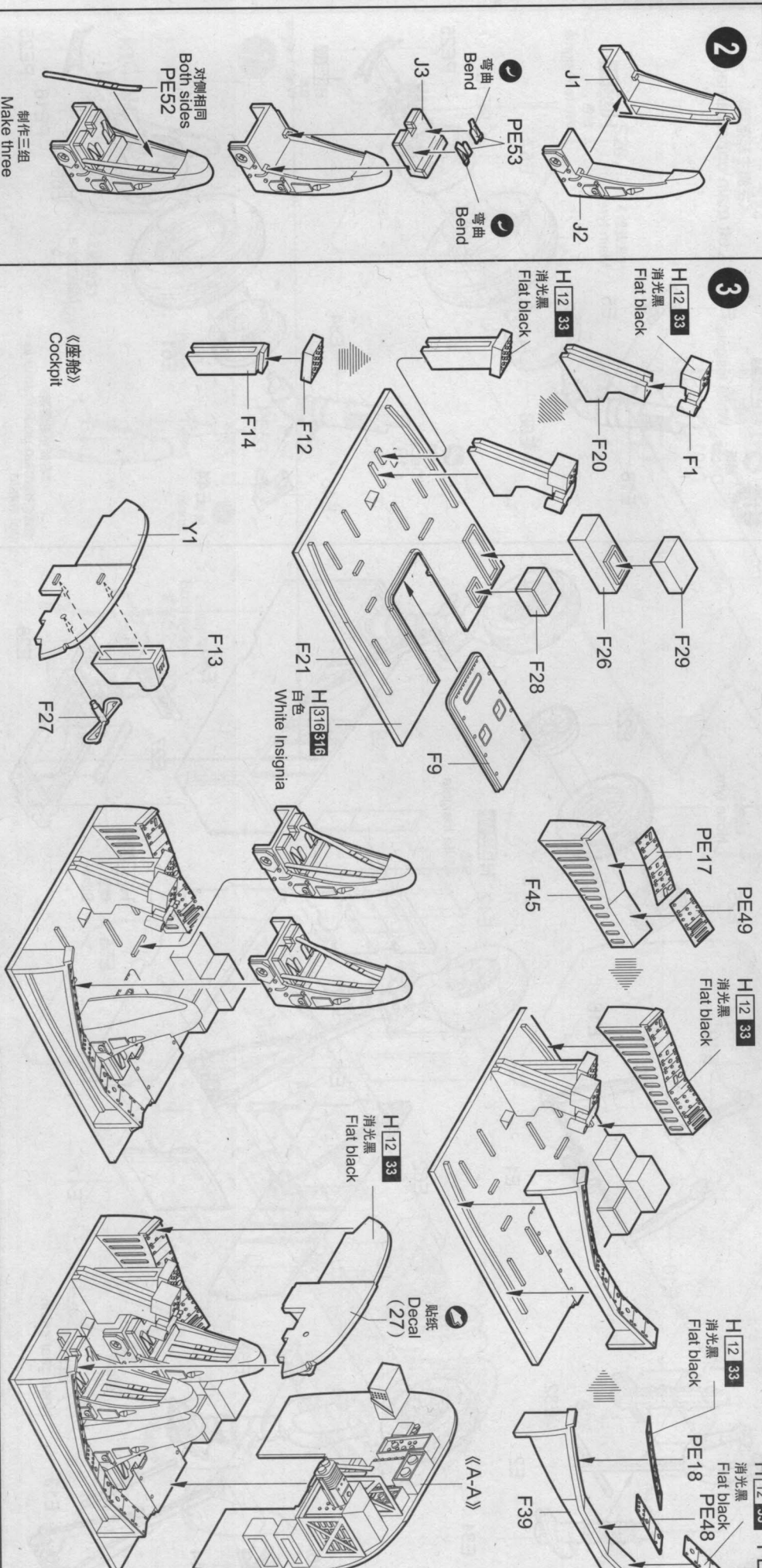
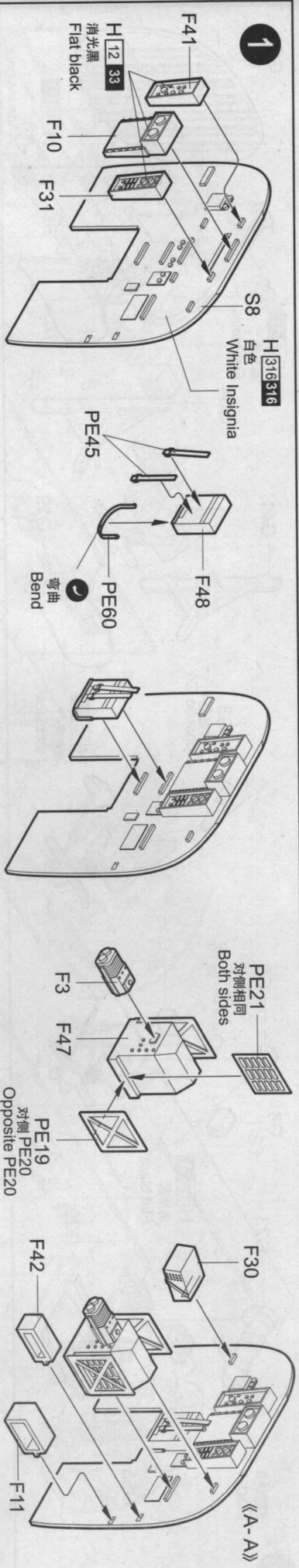
Make hole

Cut / Remove

部品图
Parts

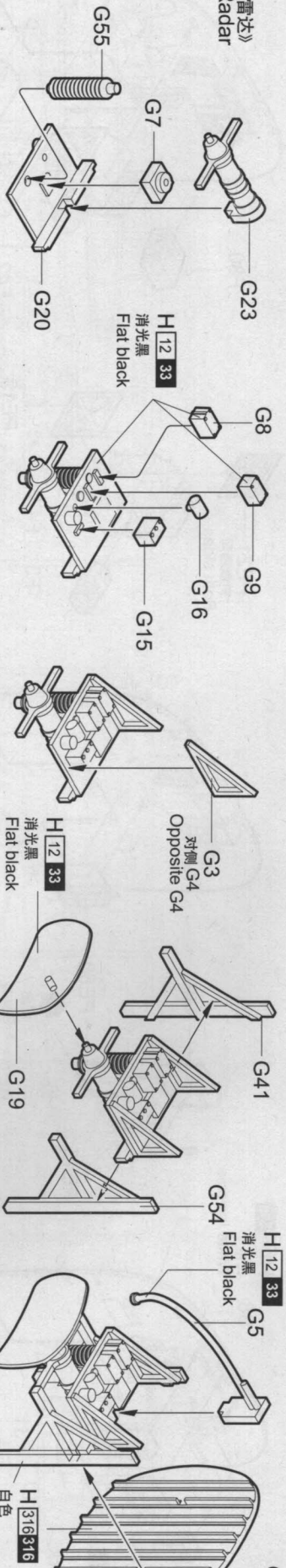




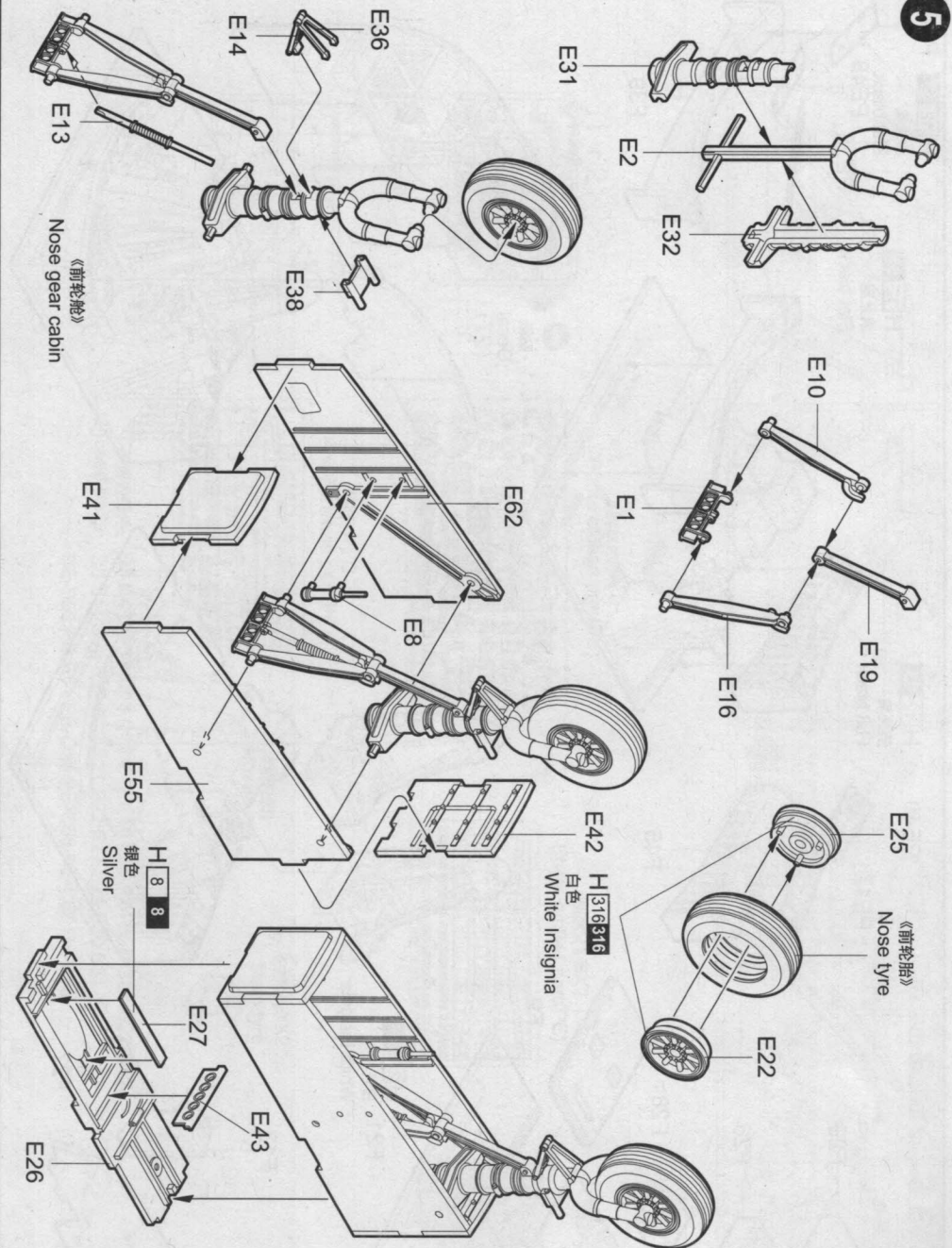


4

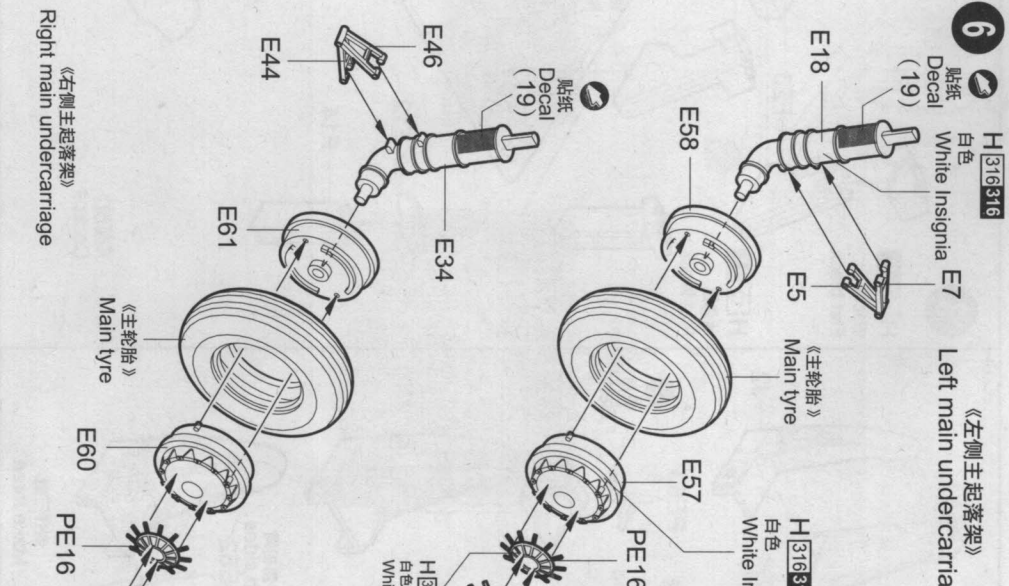
《雷达》
Radar



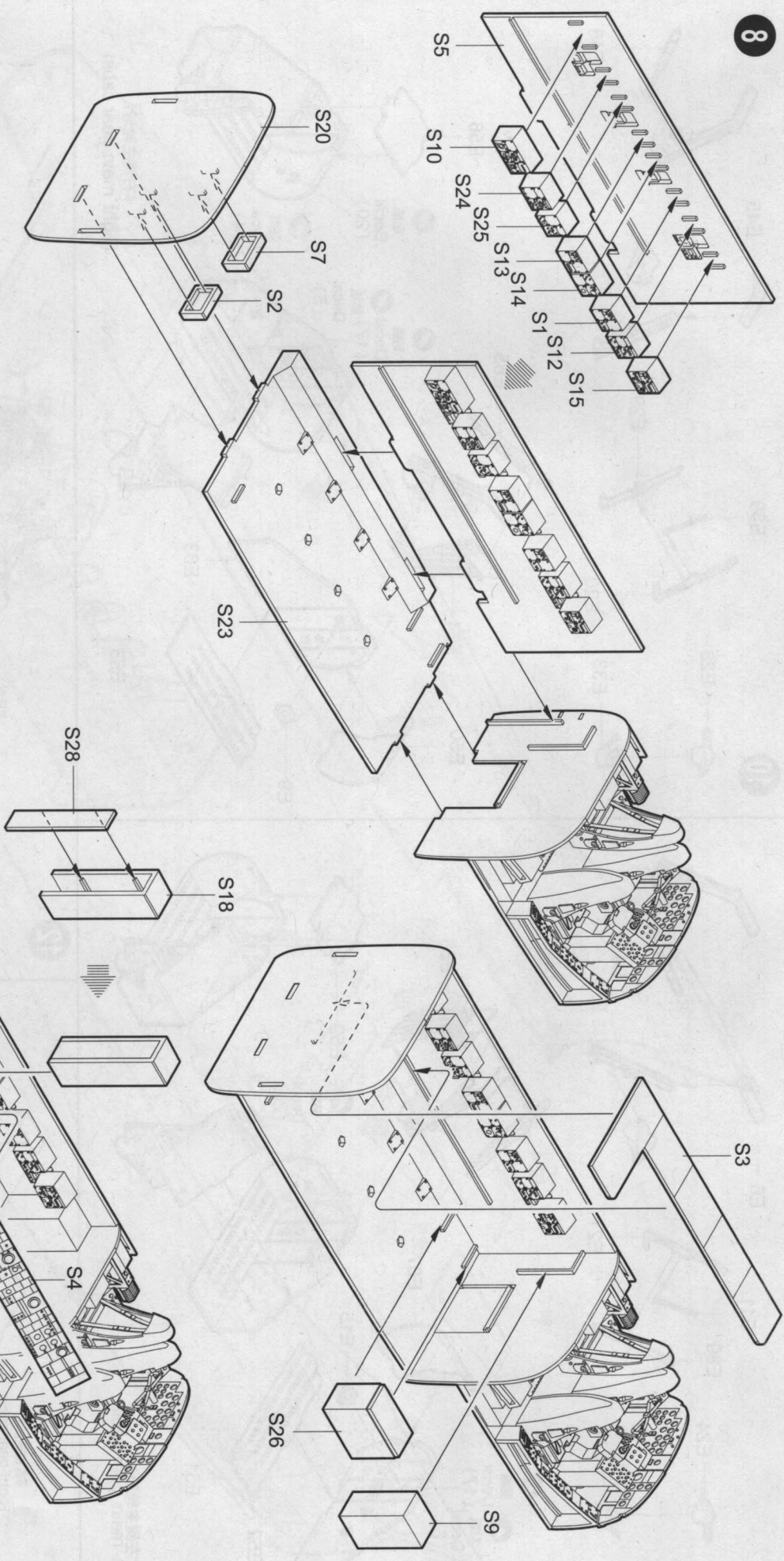
5



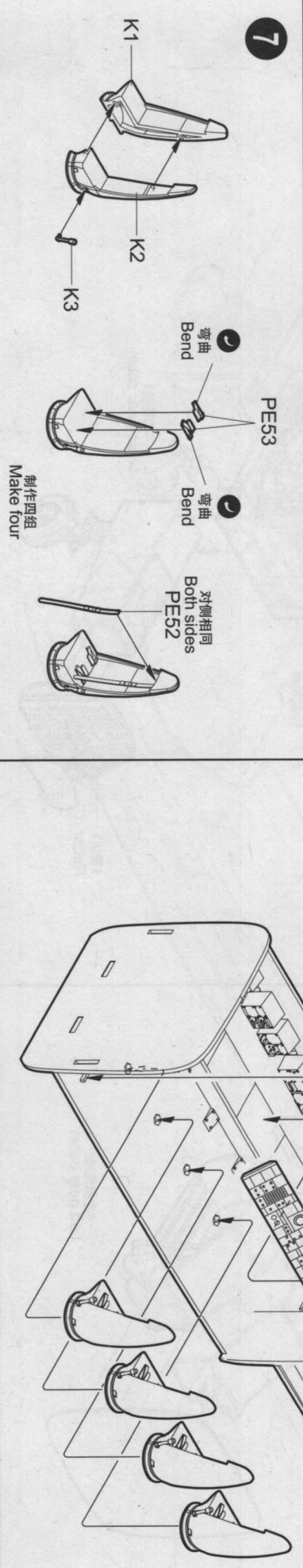
6



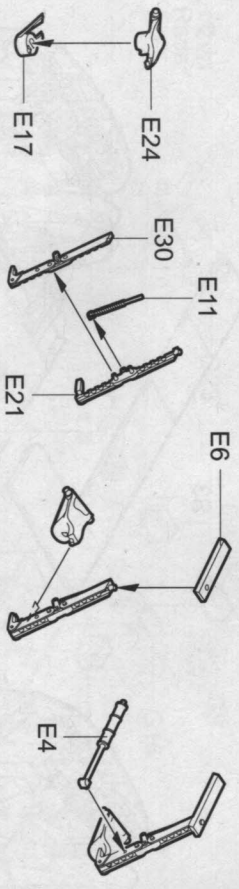
8



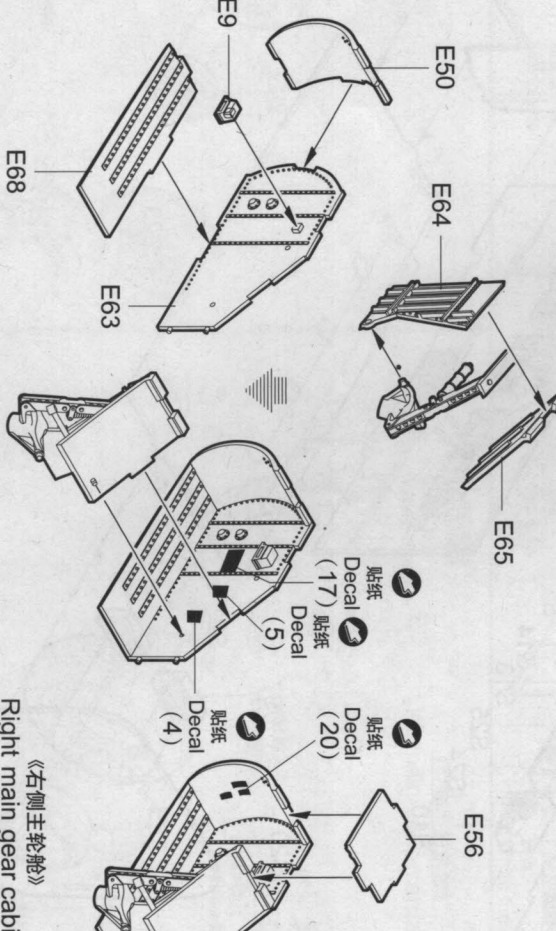
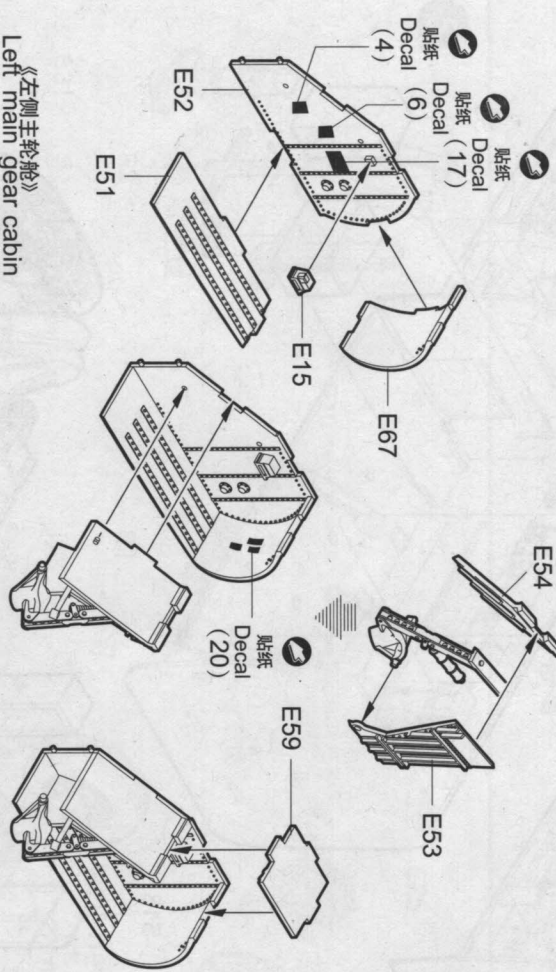
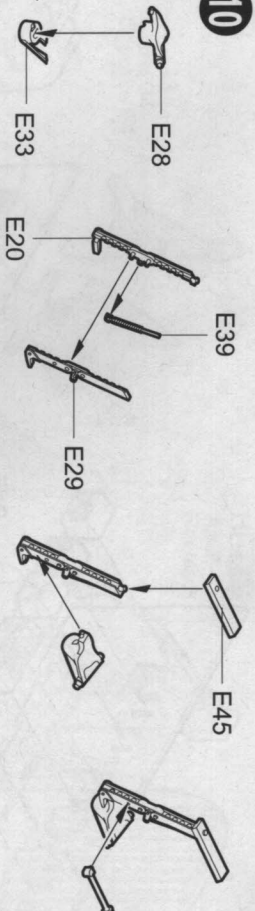
7



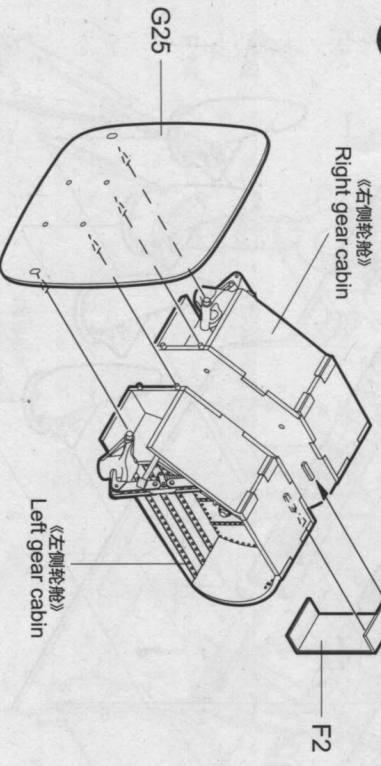
9



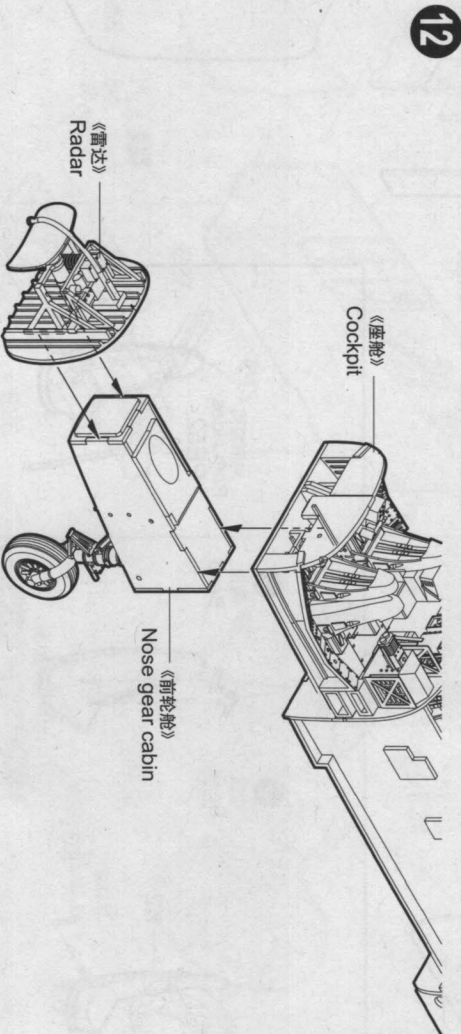
10

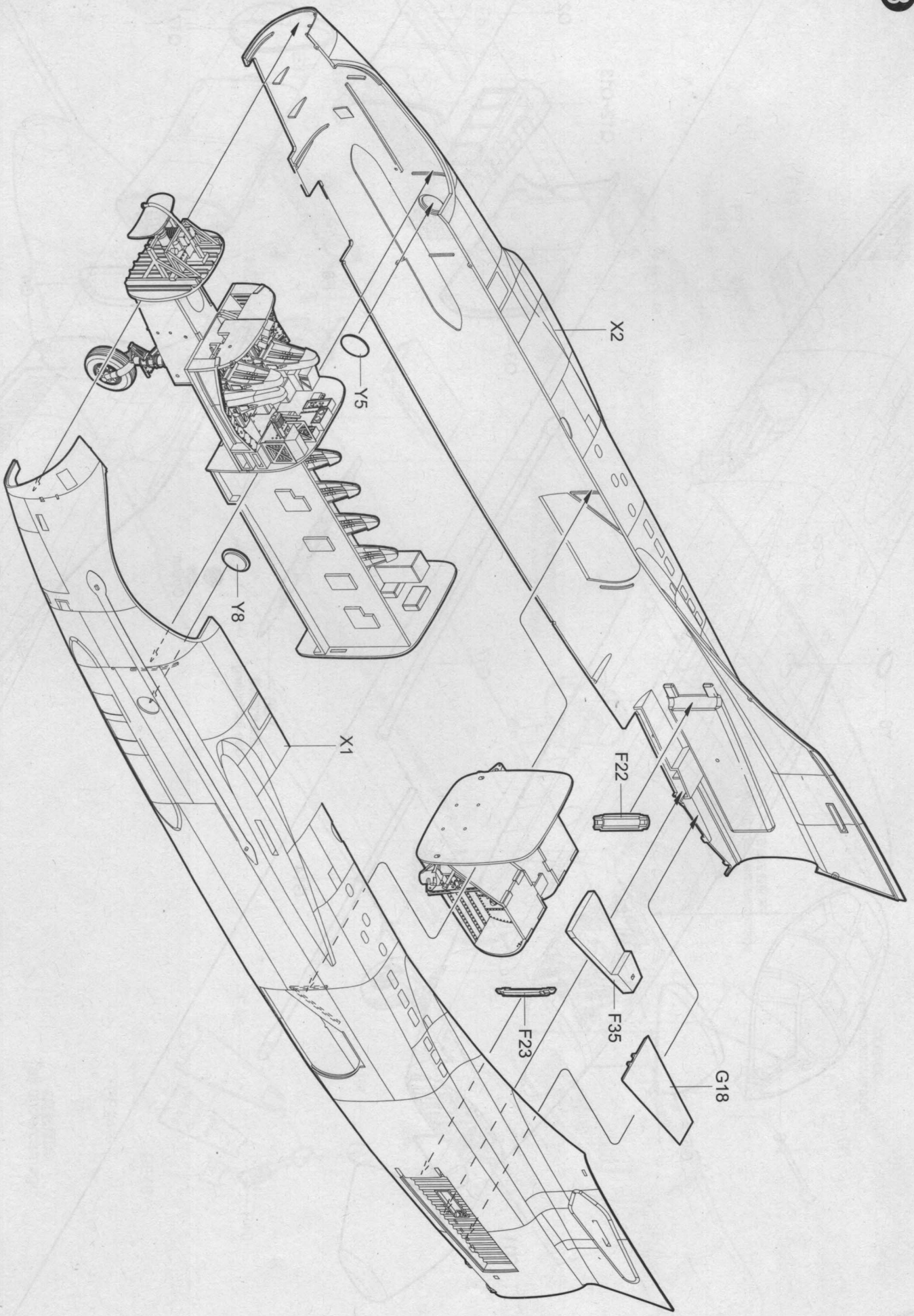


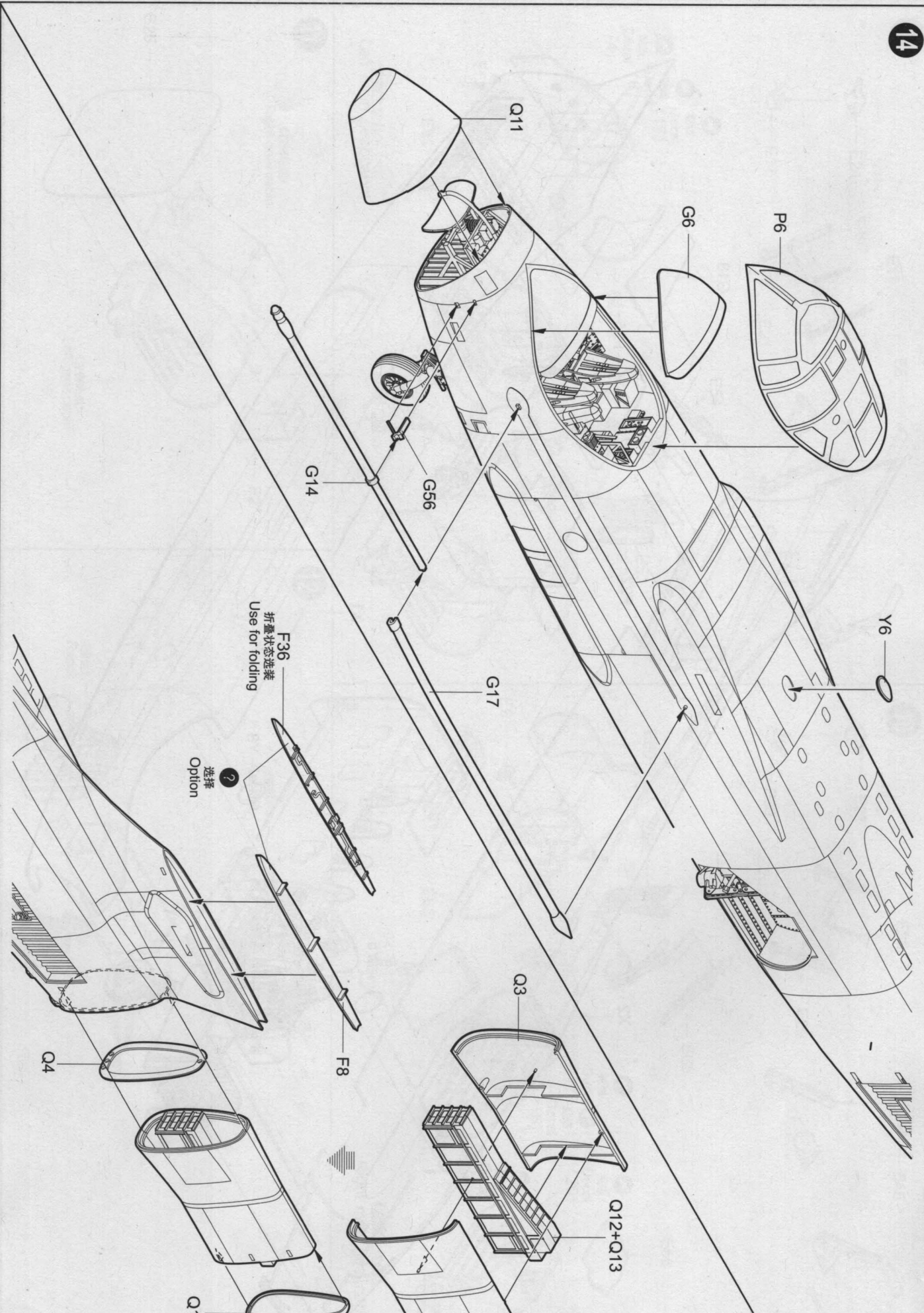
11

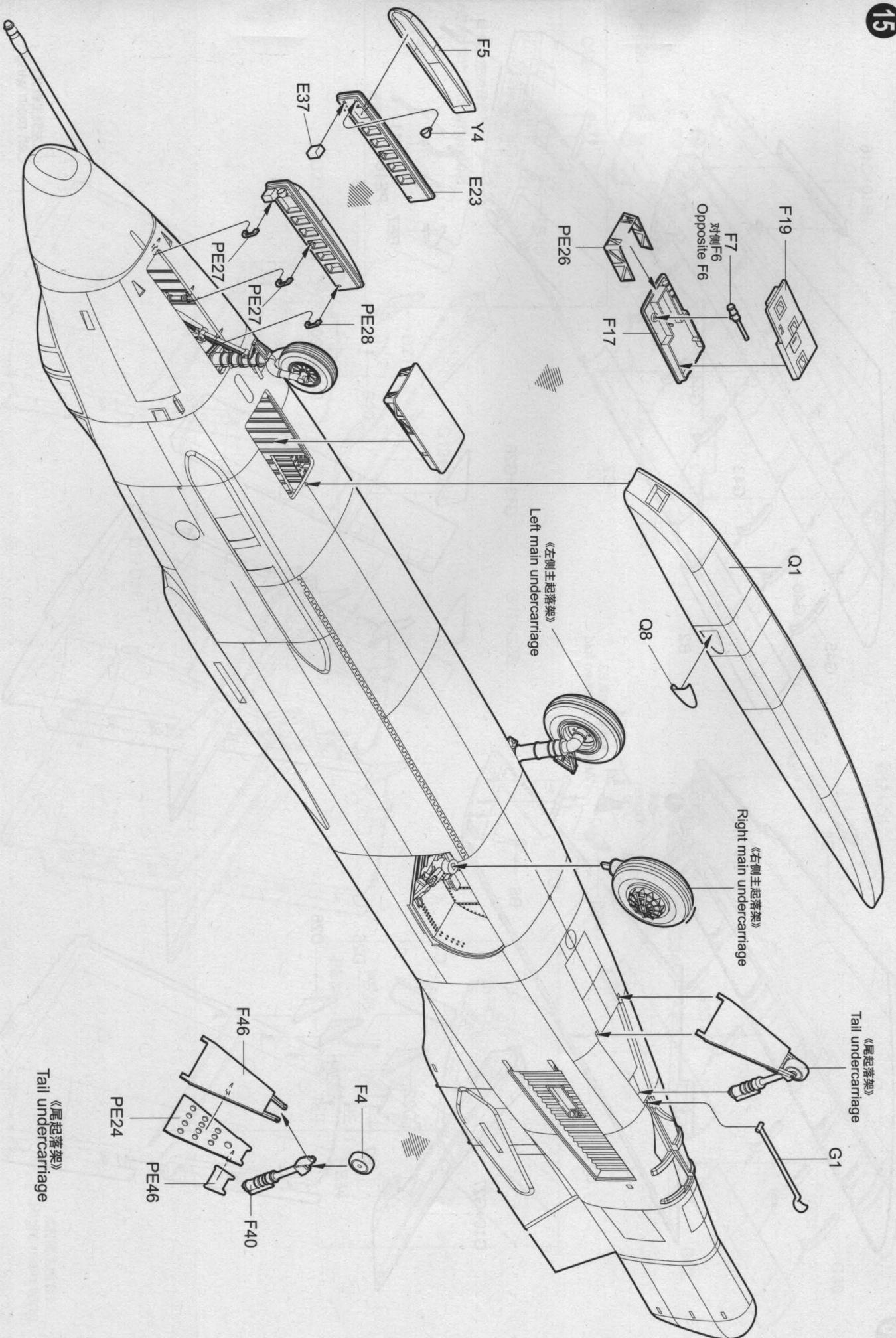


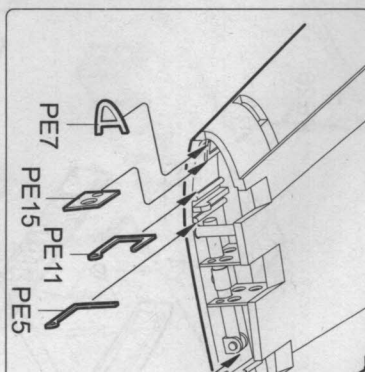
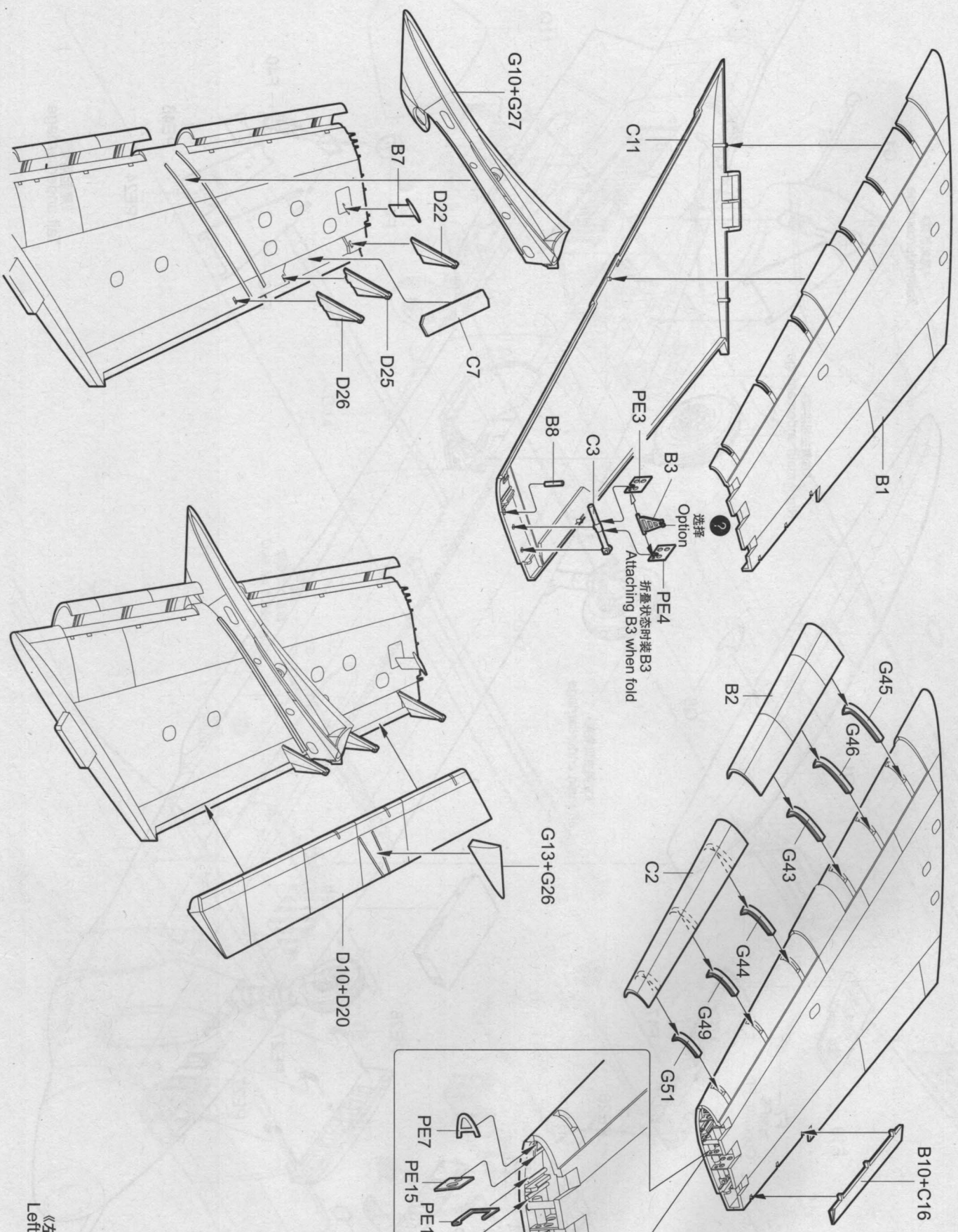
12

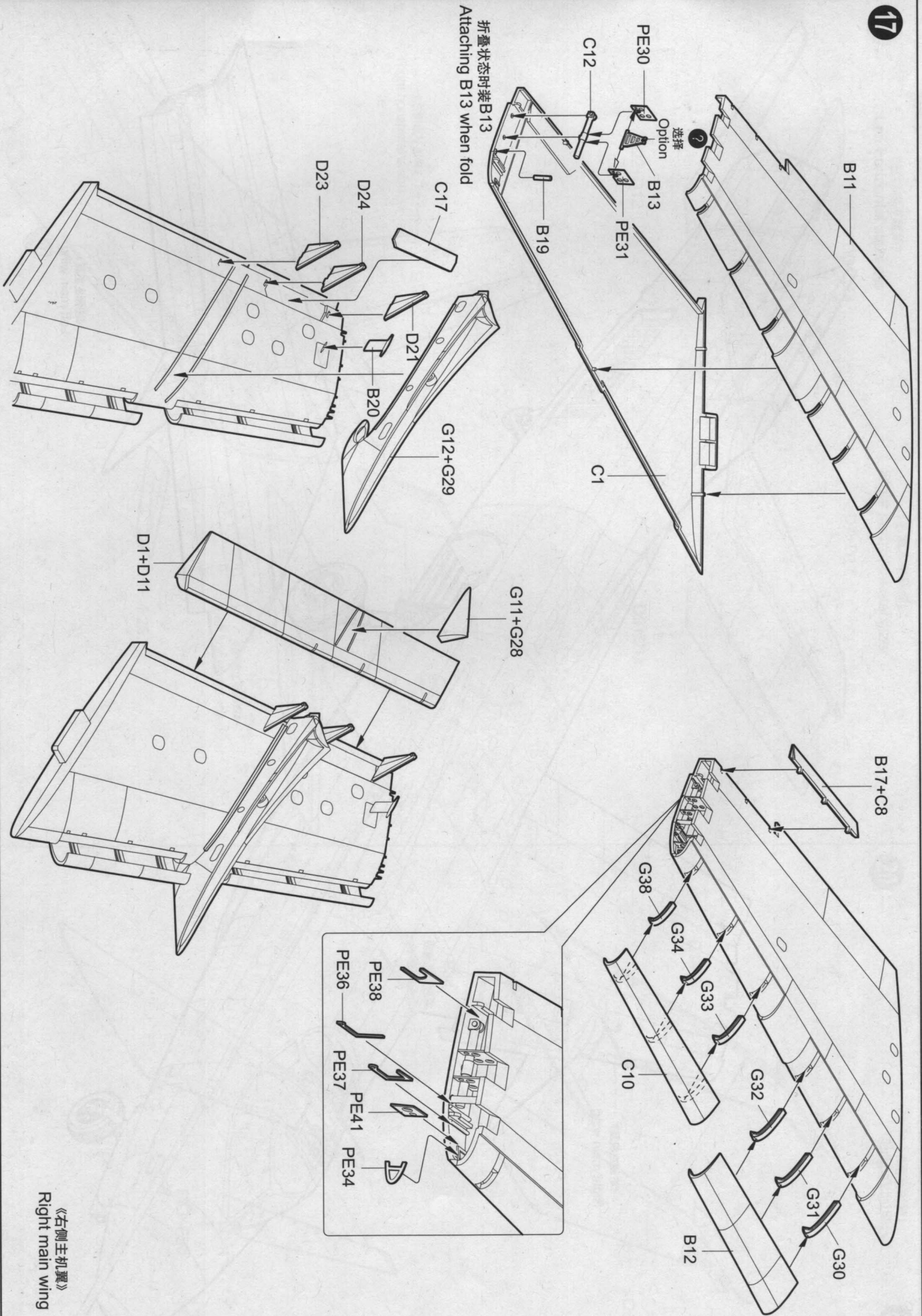


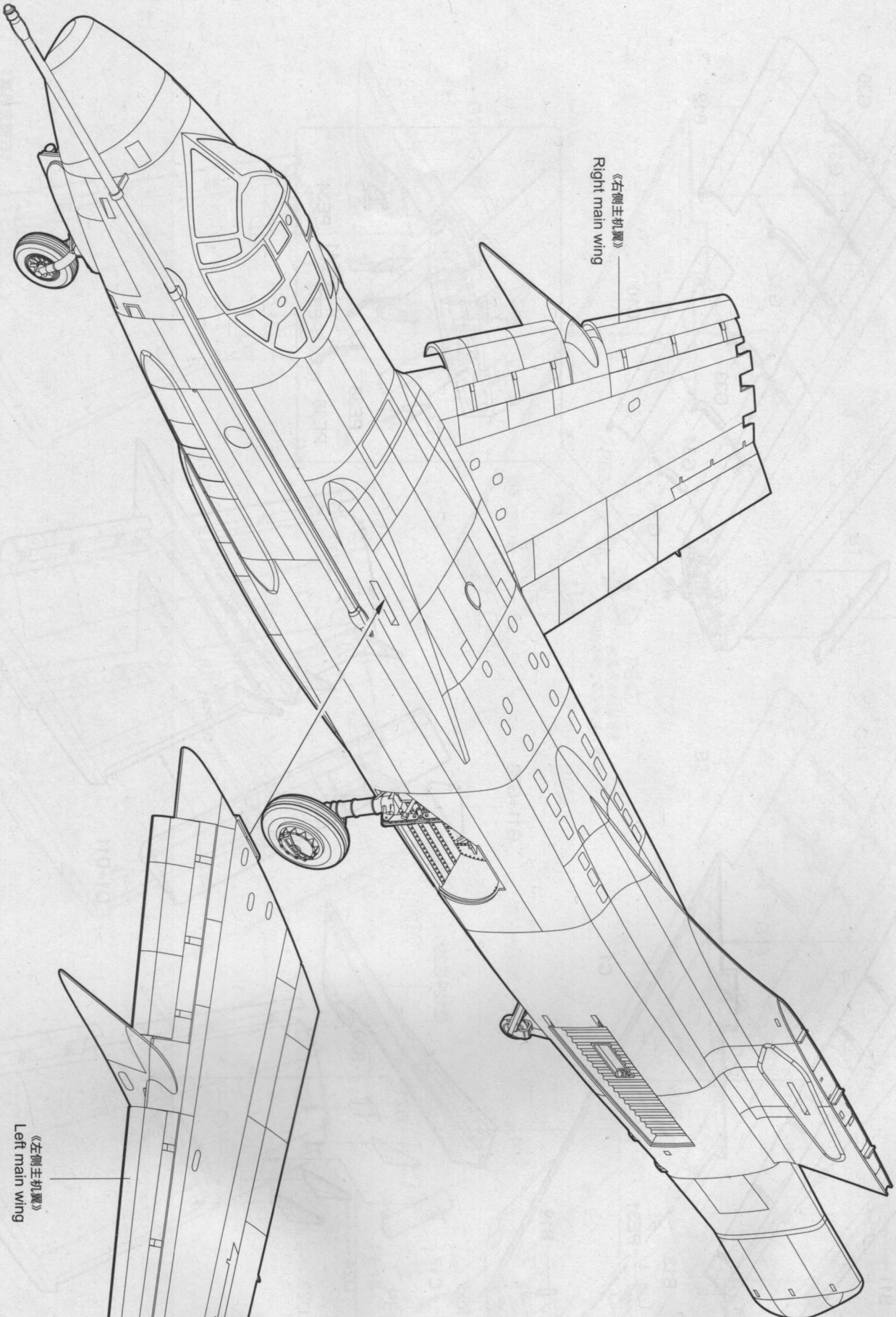










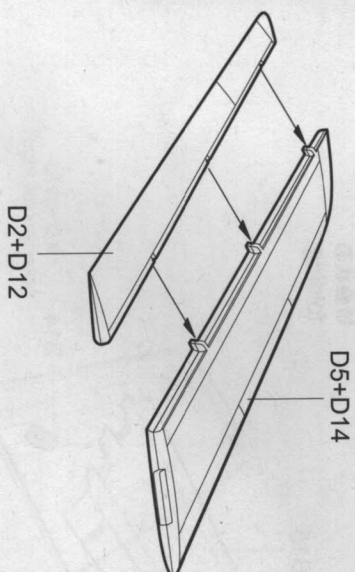


《右侧主机翼》
Right main wing

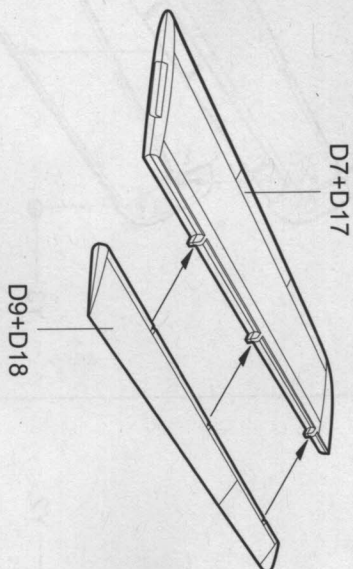
《左侧主机翼》
Left main wing

19

《左侧水平尾翼》
Left horizontal stabilizer



《右侧水平尾翼》
Right horizontal stabilizer

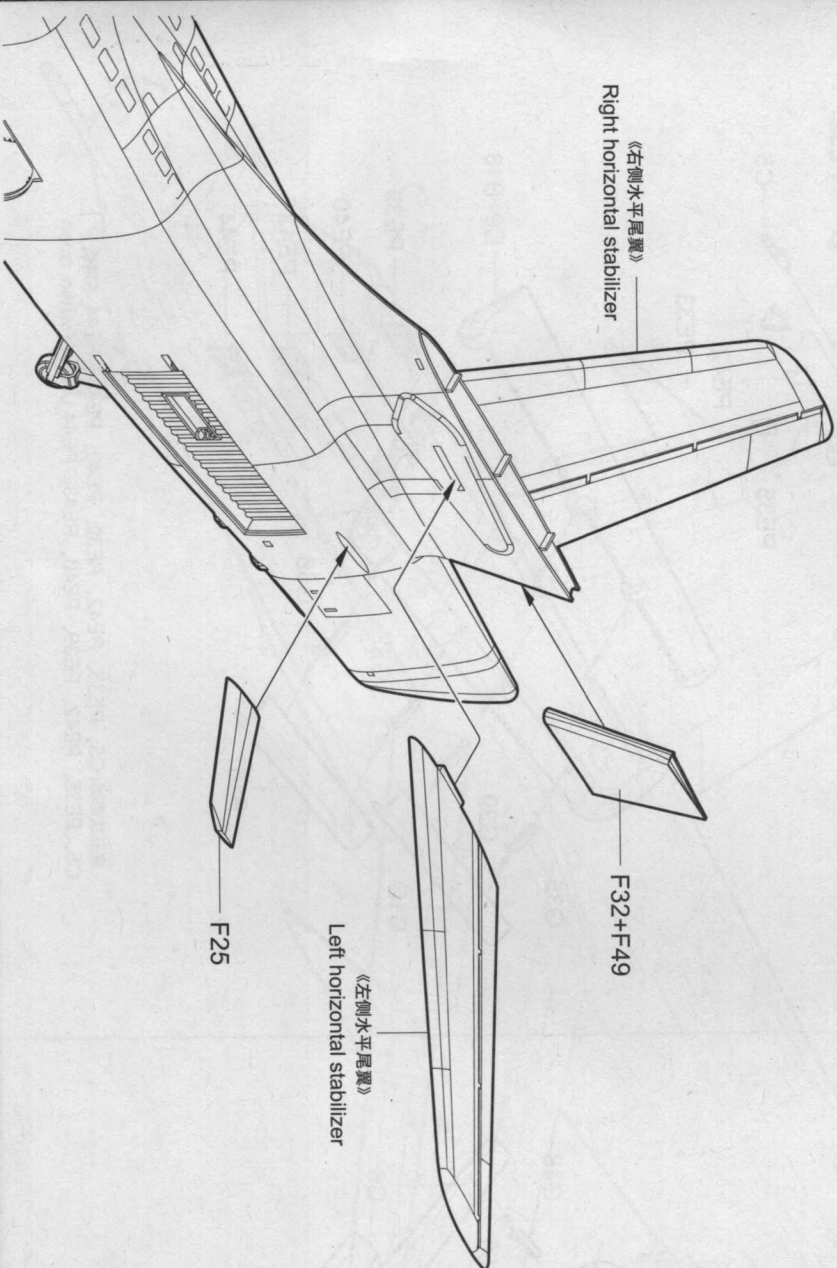


《右侧水平尾翼》
Right horizontal stabilizer

F32+F49

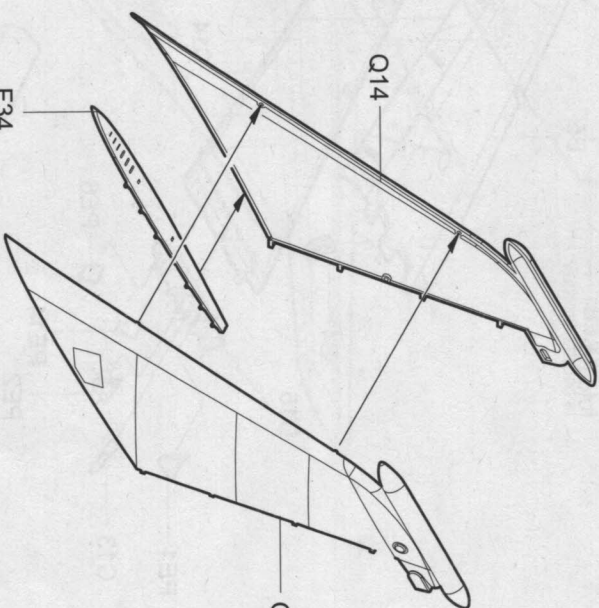
《左侧水平尾翼》
Left horizontal stabilizer

F25



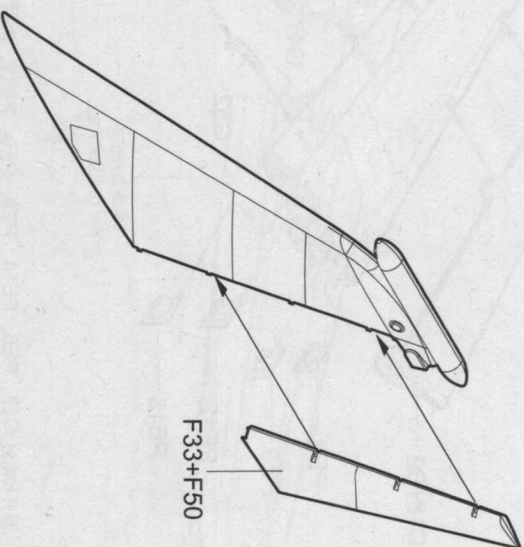
20

《垂直尾翼》
Vertical stabilizer



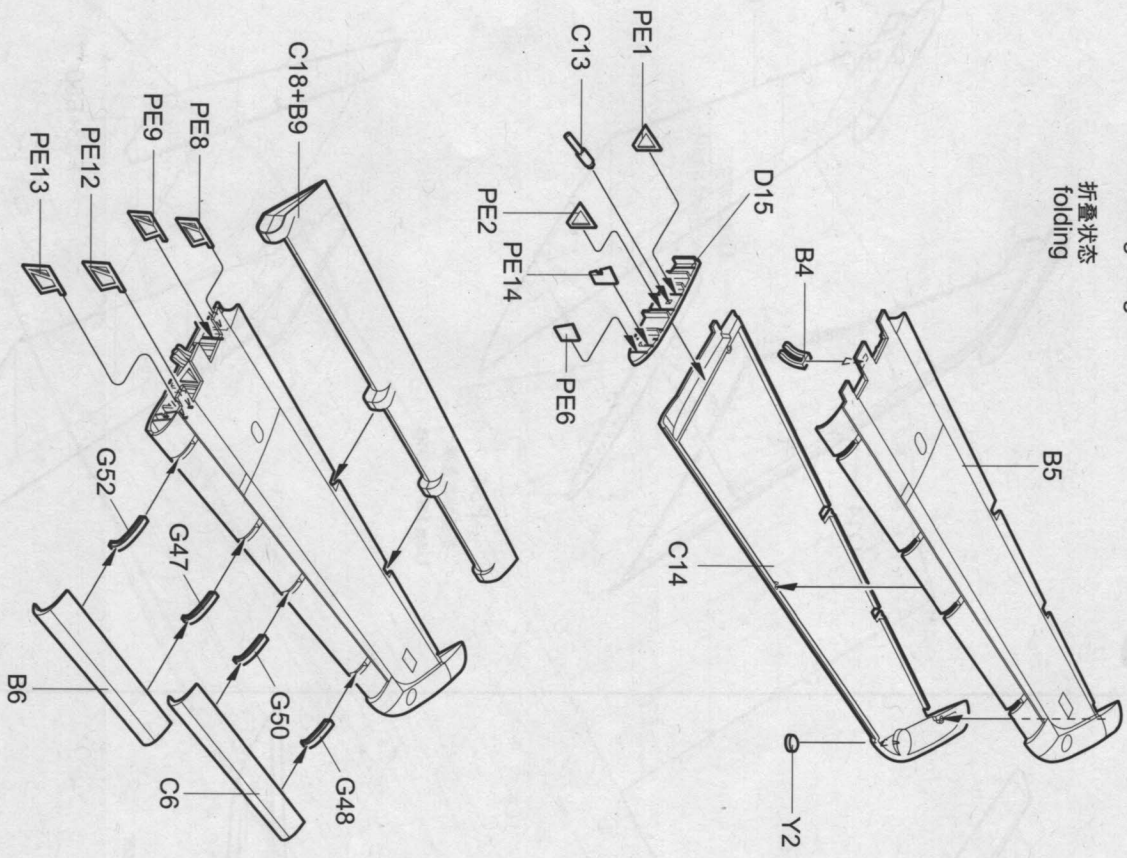
F34
折叠状态安装
Use for folding

F33+F50



21

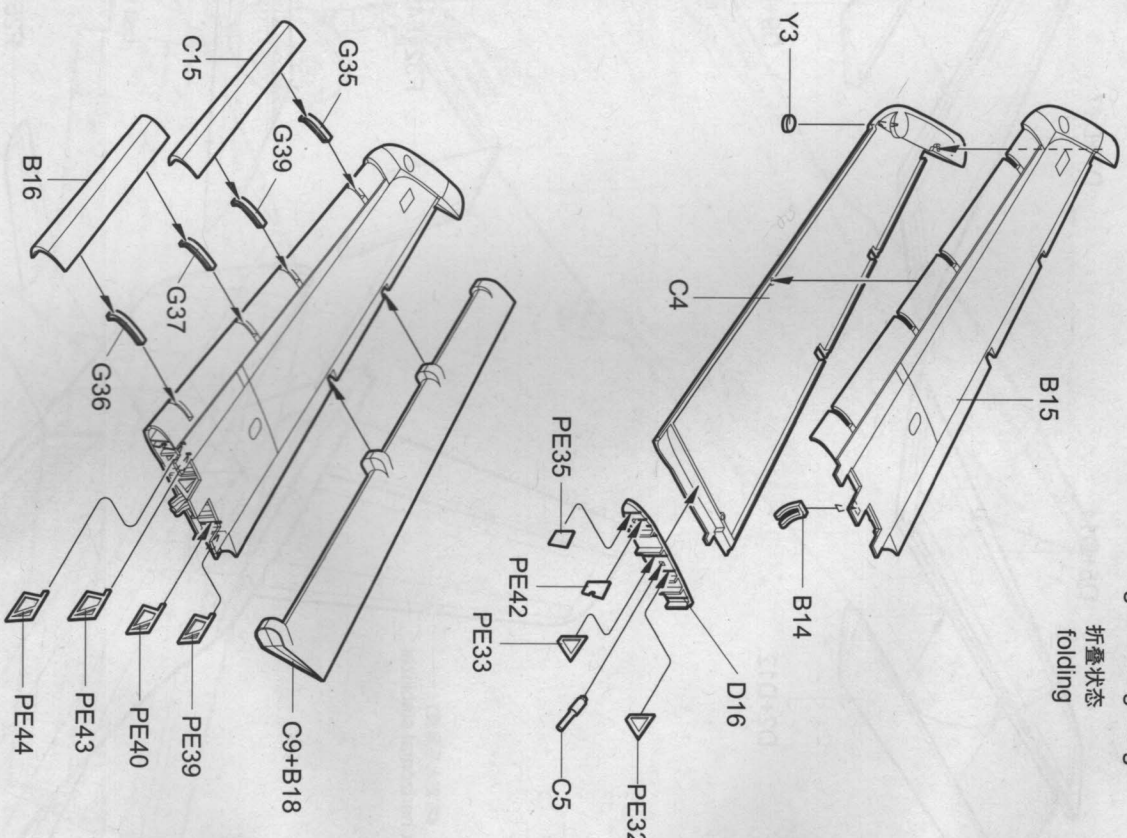
《左侧折叠翼》
Left folding wing
折叠状态
folding



展开状态时: C13、PE6、PE14、PE8、PE9、PE12、PE13不用装
C13、PE6、PE14、PE8、PE9、PE12、PE13 Unused when open

22

《右侧折叠翼》
Right folding wing
折叠状态
folding



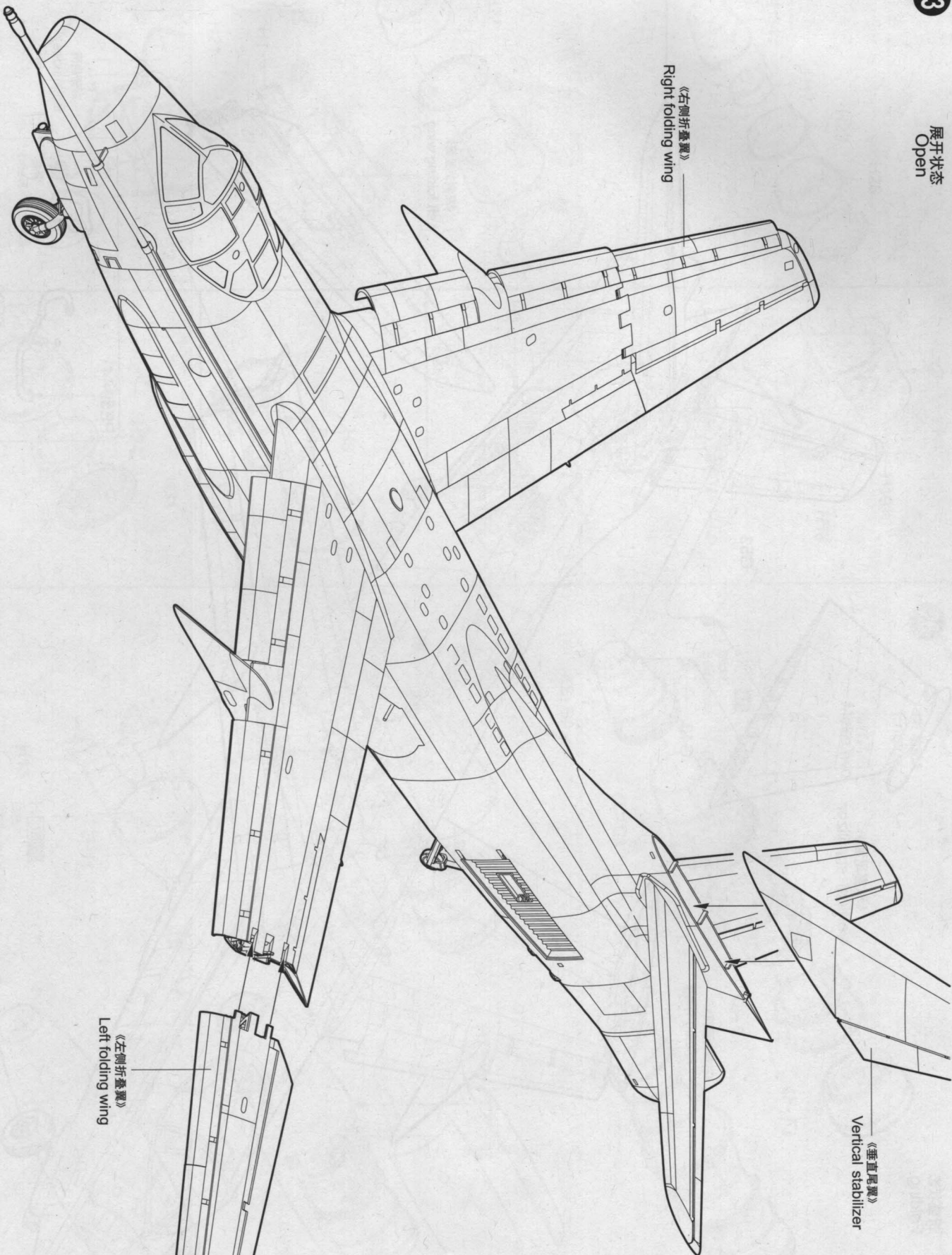
展开状态时: C5、PE35、PE42、PE39、PE40、PE43、PE44 不用装
C5、PE35、PE42、PE39、PE40、PE43、PE44 Unused when open

展开状态
Open

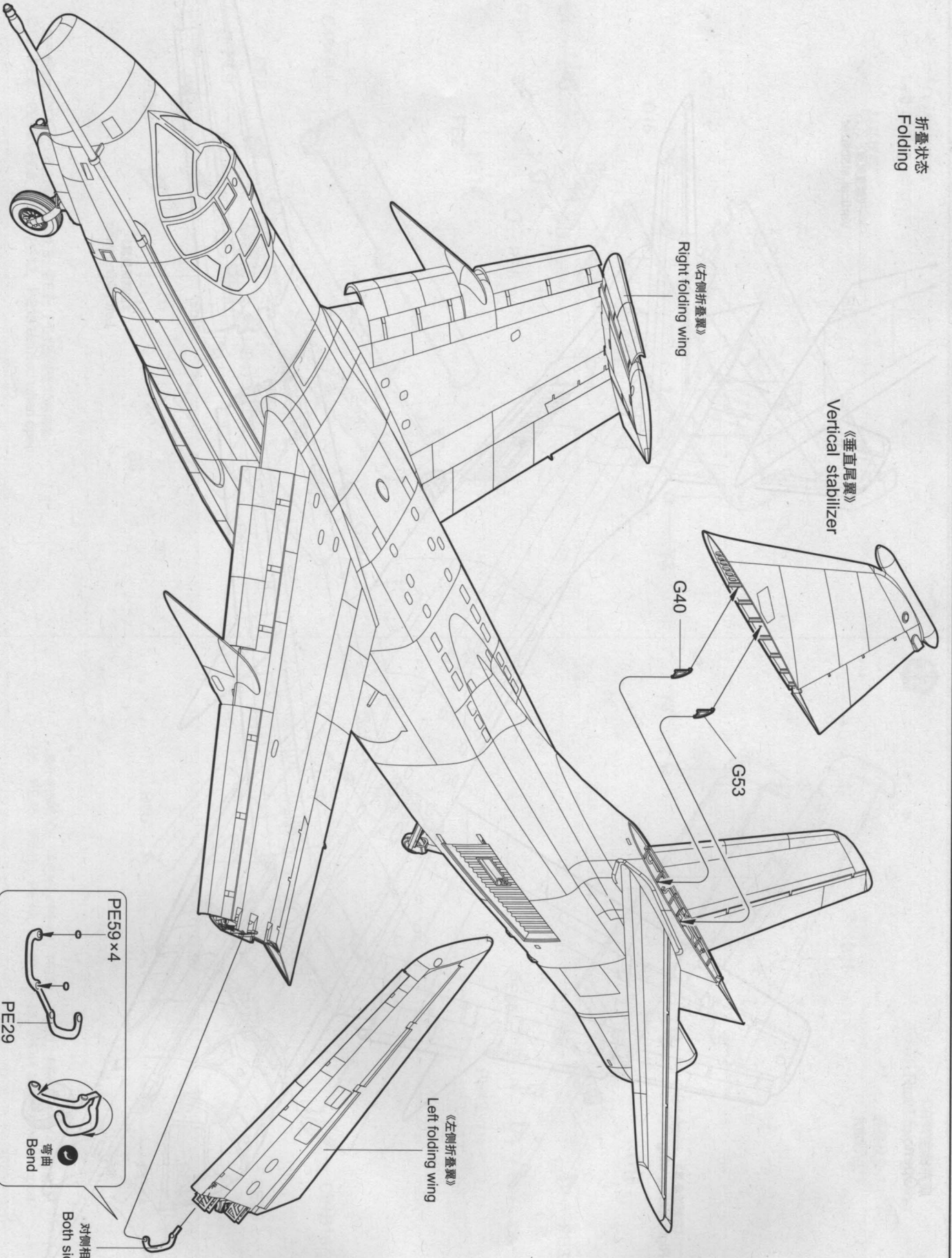
《右侧折叠翼》
Right folding wing

《垂直尾翼》
Vertical stabilizer

《左侧折叠翼》
Left folding wing



折叠状态
Folding



《右侧折叠翼》
Right folding wing

《垂直尾翼》
Vertical stabilizer

G40

G53

《左侧折叠翼》
Left folding wing

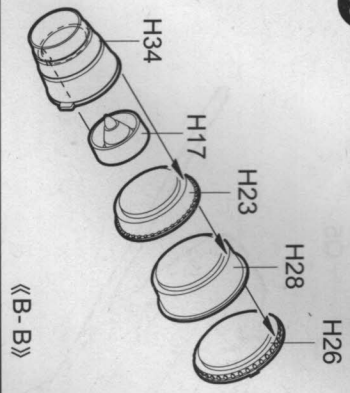
PE59 x 4

PE29

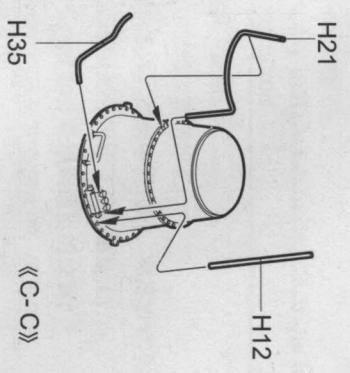
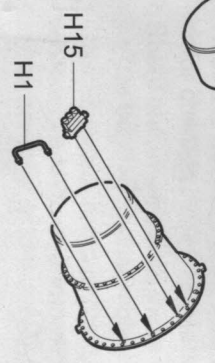
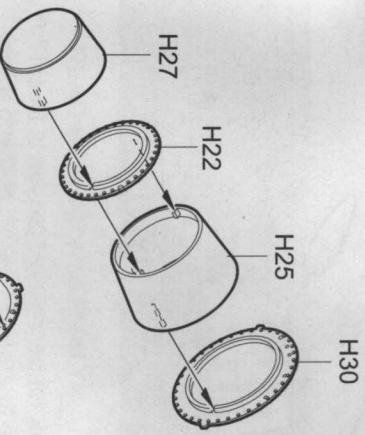
弯曲
Bend

两侧相同
Both sides

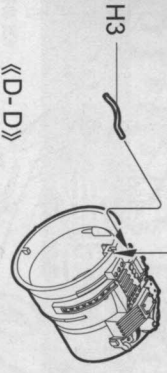
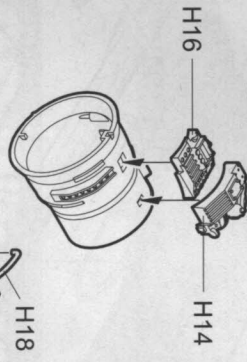
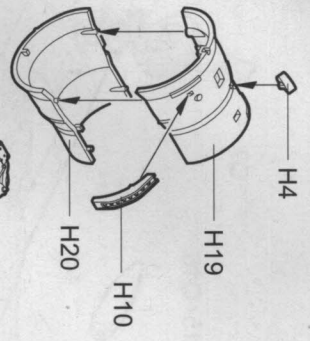
25



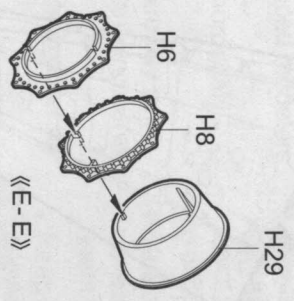
«B-B»



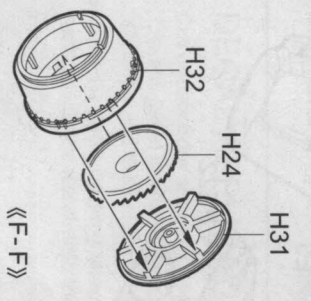
«C-C»



«D-D»



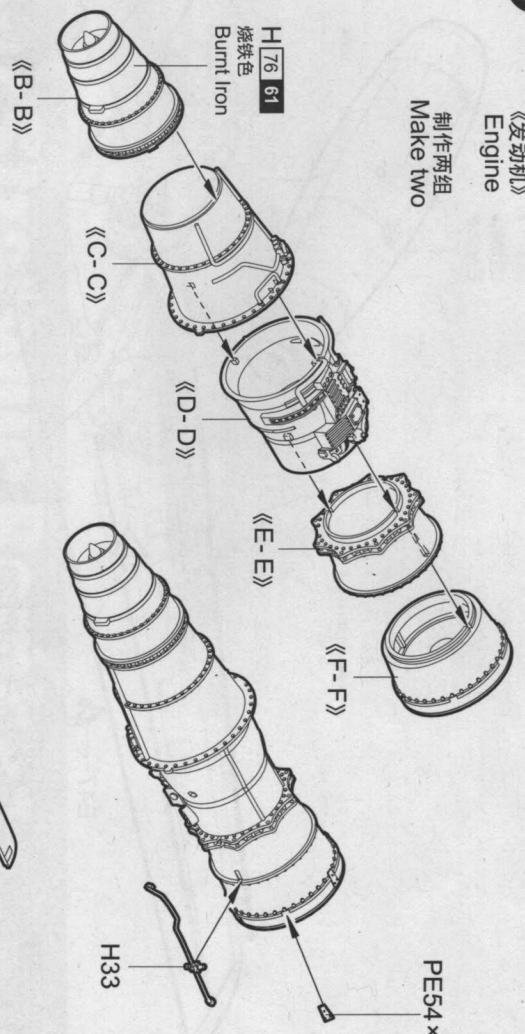
«E-E»



«F-F»

26

《发动机》
Engine
制作两组
Make two



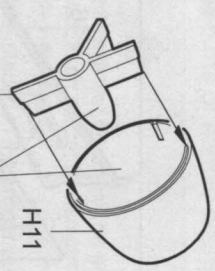
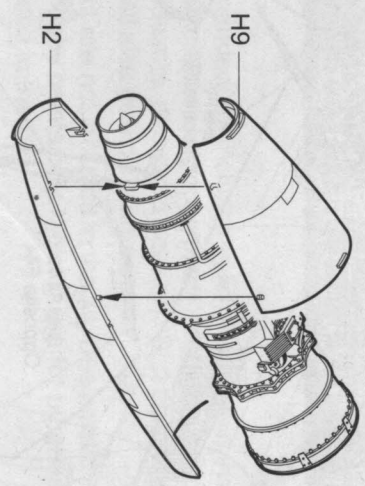
«B-B»

«C-C»

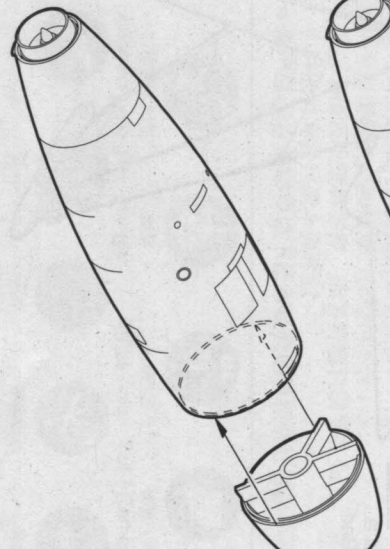
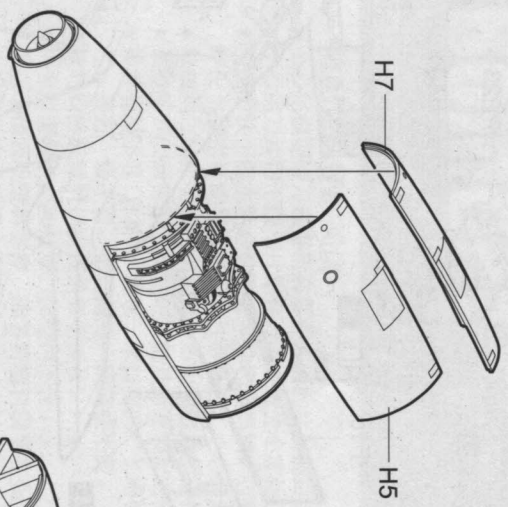
«D-D»

«E-E»

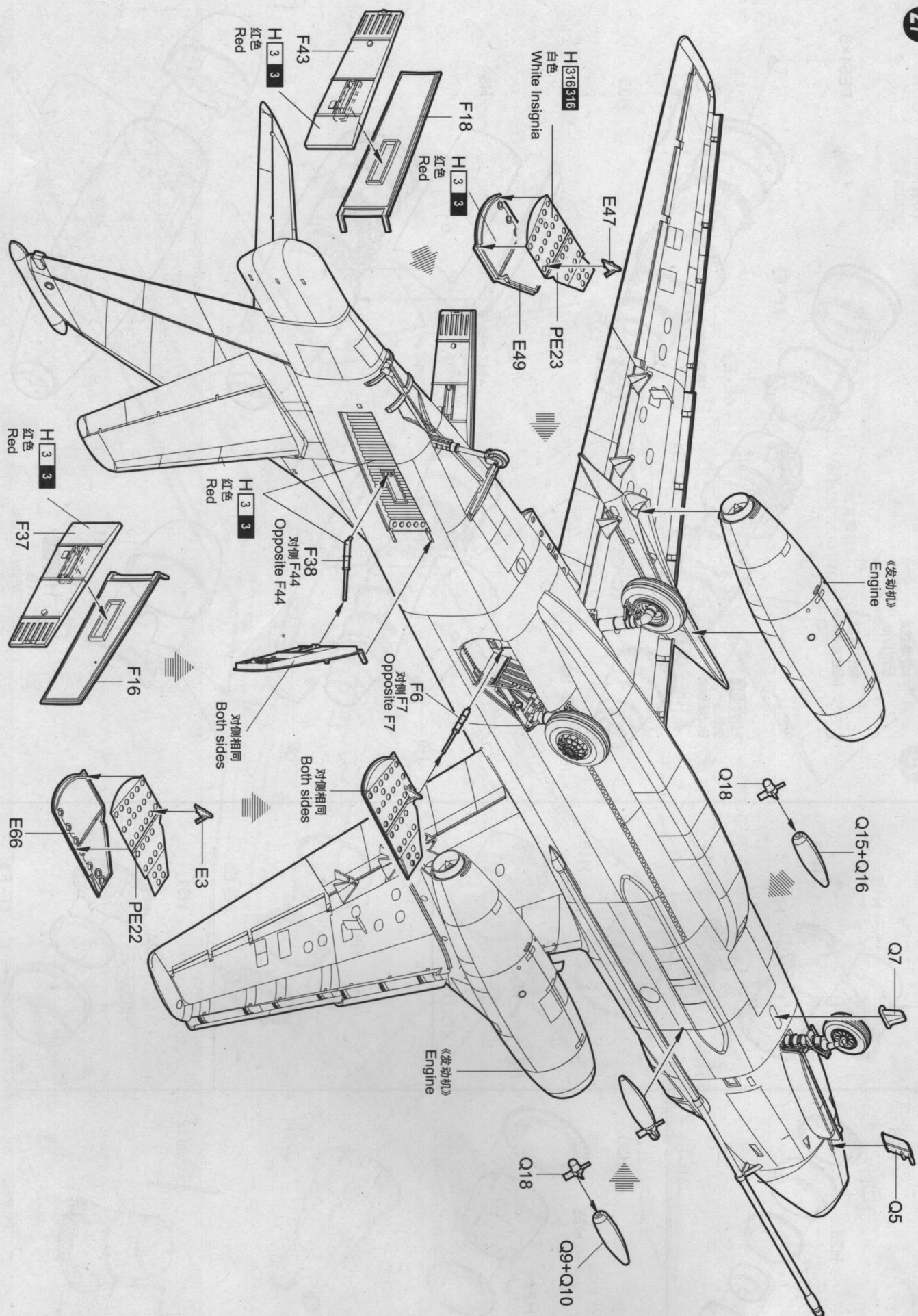
«F-F»



H316316
白色
White Insignia



PE54x6



涂装同标贴指示

Painting & Marking guide

US NAVY, VAQ-33 'Firebirds',
ERA-3B, 104/GD(BuNo.146447).

PAINT REFERENCE COLOUR

Color	Mr.Hobby	Vallejo	Model Master	Tamiya	Humbrol
Tire Black 胎黑色	H 77 137	-	-	-	-
Metal Black 金属黑色	H 18 28	-	-	-	-
White Insignia 白色	H 316 316	991	1745	X2	22
Lighty Gull 灰色	H 315 315	843	1730	-	A43
Burnt Iron 锈棕色	H 76 61	863	1795	X10	53
Red 红色	H 3 3	908	1503	X7	A7
Falt Balck 消光黑	H 12 33	950	1749	XF1	33

