

Westland Whirlwind

韦斯特兰“旋风”战斗机

READ BEFORE ASSEMBLY:

- Study and understand these instructions thoroughly before beginning assembly
- When needed, remove photo-etch parts carefully using a modeling knife or photo etch sprue cutter, being careful not to damage or lose small parts.
- Take extra care in handling photo etch parts in order to avoid injury
- Apply instant cement sparingly to photo etch parts where instructed
- Tools recommended(not included in kit):Plastic and instant cements, sprue cutters,long nose pliers,modeling knife, small files, tweezers, pin vise & scissors. Soft cloth and sandpaper will also assist in construction
- Glue and paint are not included in the kit. Use plastic cement and hobby paints only. Color guide for purchasing paint is included in the kit.

装配之前仔细阅读

- 小心用模型锉刀锉平所有零件表面的注射浇口。
- 小心用刀片切下蚀刻片零件，不要遗失小零件。
- 用强力快干胶水粘合蚀刻片零件和金属轴。过量快干胶水使用可能导致可动零件会粘住，小心涂胶。
- 取蚀刻片时应特别注意安全，防止利边划伤手指。
- 某些零件表面需贴上水贴纸，请选择在装配的同时进行。
- 推荐模型工具(自备)：胶水，水口剪刀，长咀钳，刀片，锉刀，镊子，钳，钻，剪刀，瞬间快干胶。
- 软布同砂纸同时也应该是必备工具。
- 请使用塑料胶水和油漆，模型内不含。



配重
Weight



使用强力胶
Cyanoacrylate glue



钻孔
Make hole



切除
Cut / Remove



贴纸
Decal



锉平
File / Sand



选择
Option



不涂胶水
No cement



弯曲
Bend

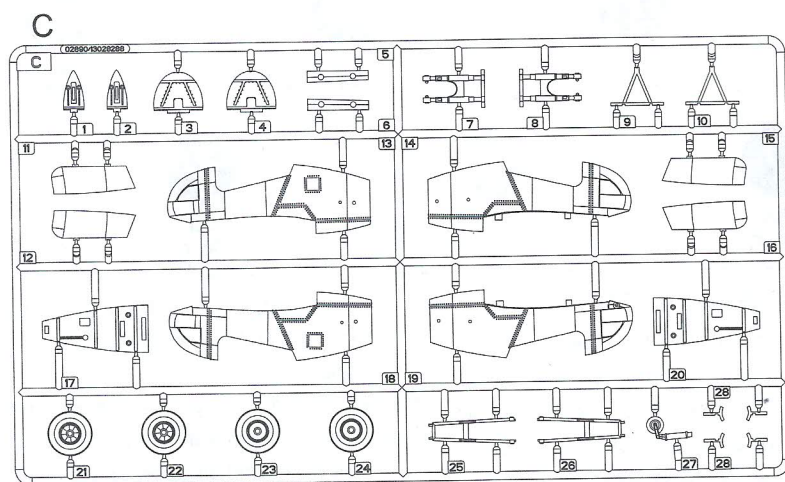
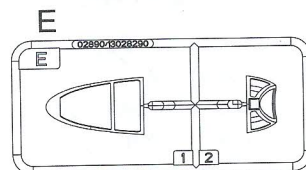
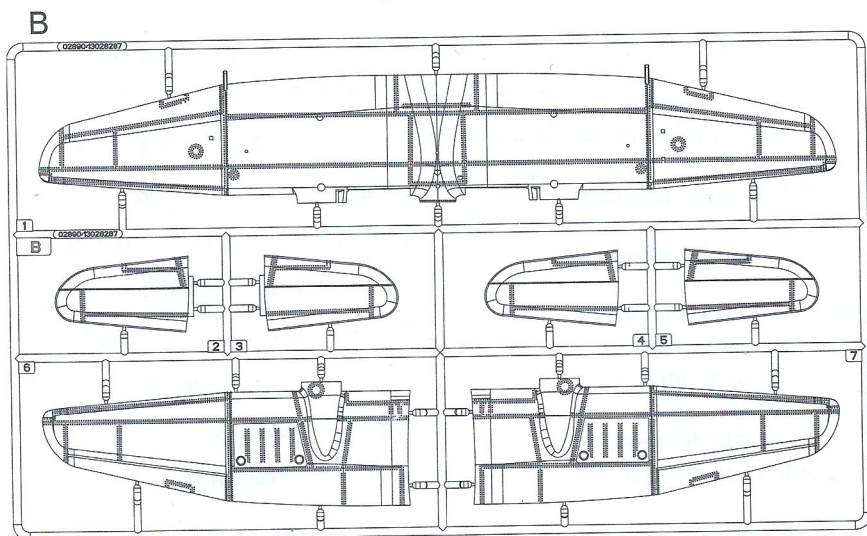
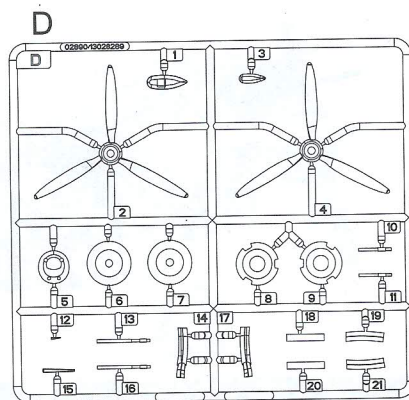
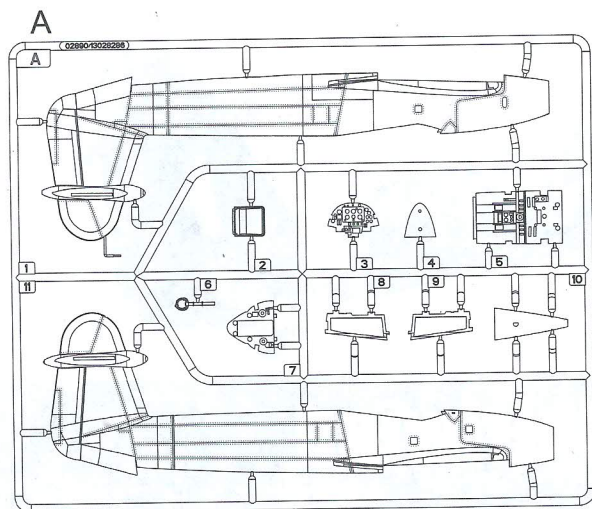
水贴纸的使用:

- 1.从水贴纸上剪下印花;
- 2.将印花放入温水中浸10秒, 然后放在干净布上。
- 3.拿着印花纸板将印花移到模型上;
- 4.手指蘸水将印花移到适当的位置;
- 5.用软布轻压印花直至水干, 气泡消失

DECAL APPLICATION

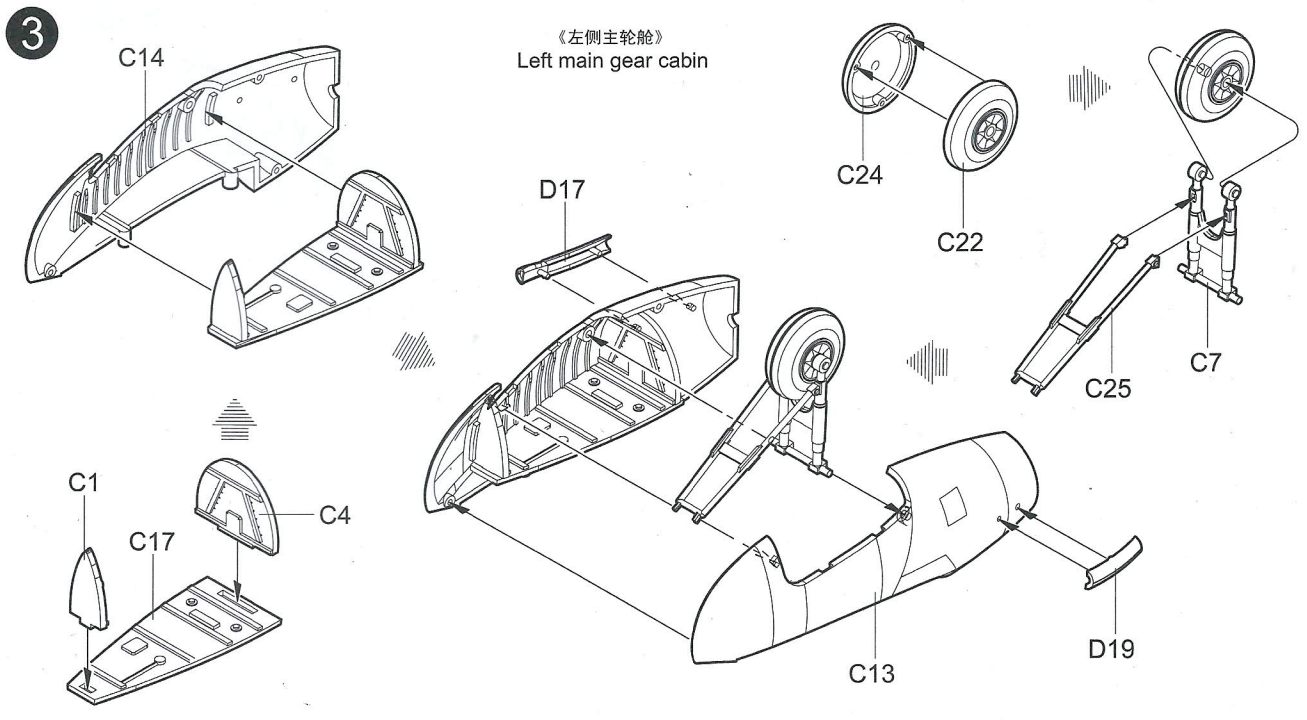
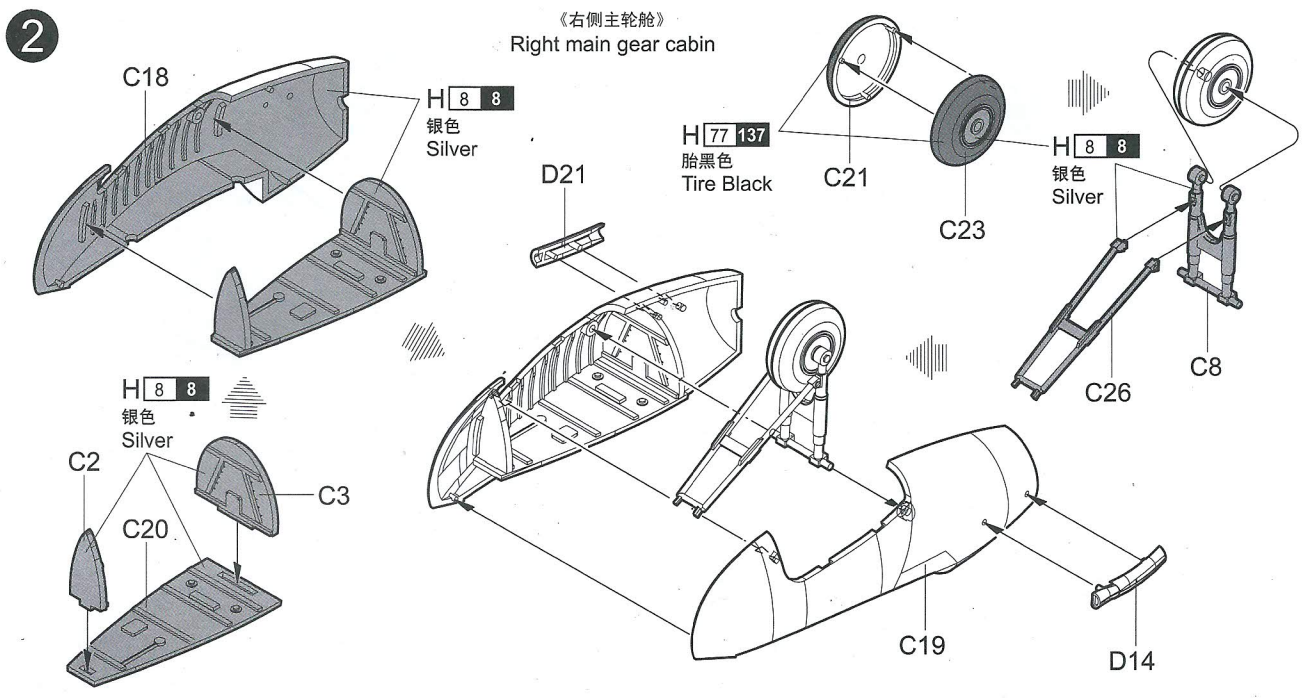
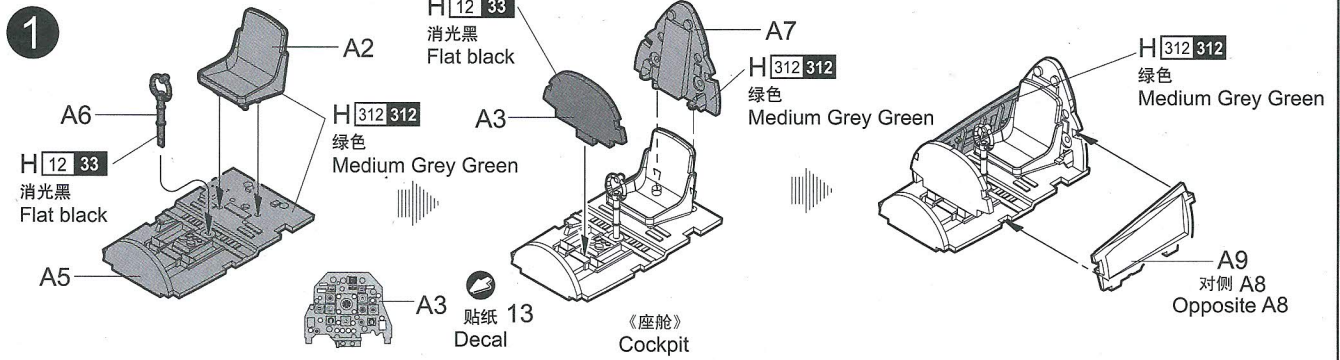
- 1.Cut decals from sheet as needed
- 2.Dip the decal in warm water for about 10 seconds and then place on soft clean cloth.
- 3.Hold the decal backing sheet edge and gently slide the decal onto the model in its proper position.
- 4.While still wet,decal can be adjusted for better fit on model by dampening it gently with your finger.
- 5.When placed in the proper position,gently press decal down with a soft cloth until excess water and air bubbles are gone.
- 6.Allow decal to dry completely before handling model

部品图
Parts

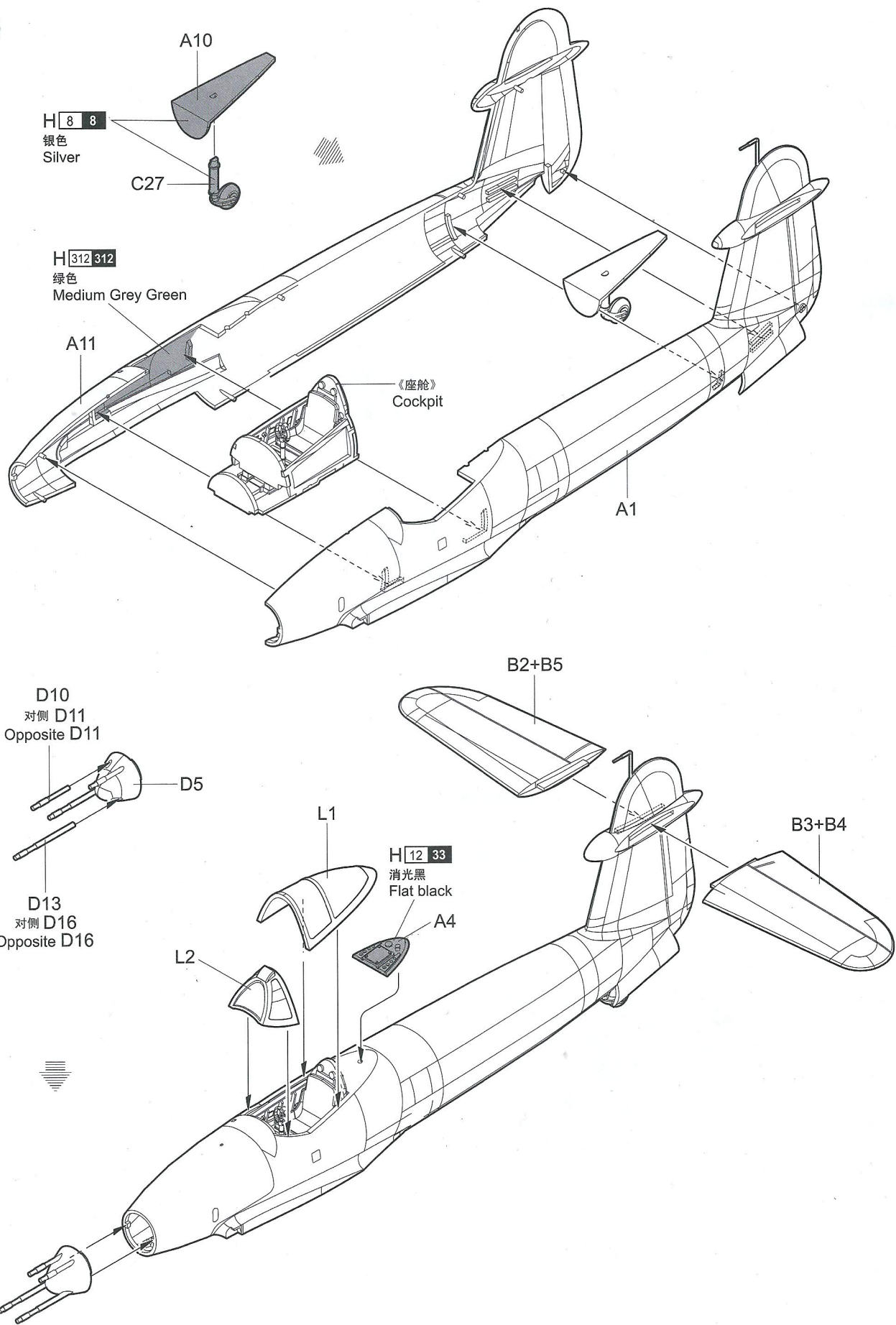


水贴
Decal

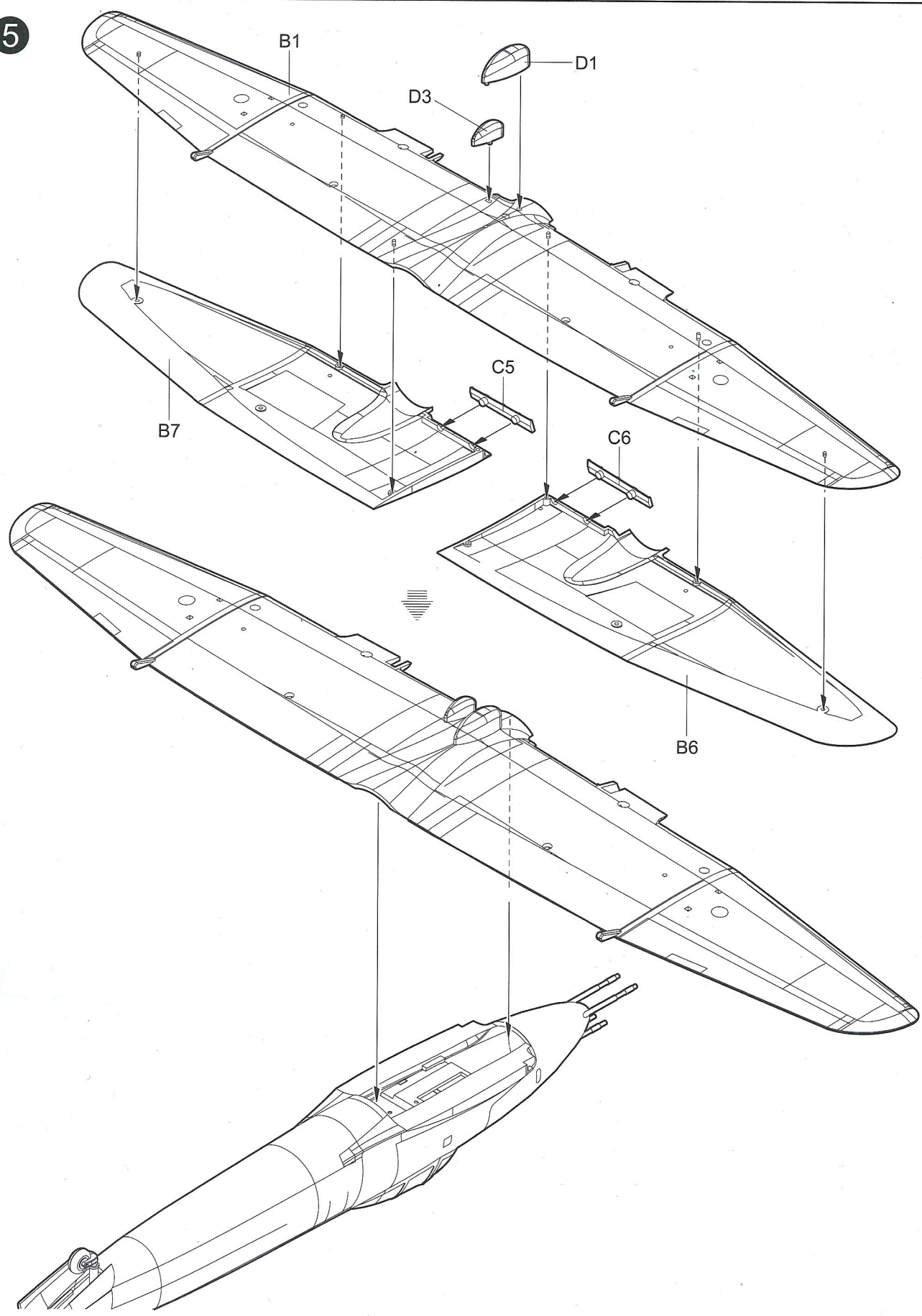




4



5



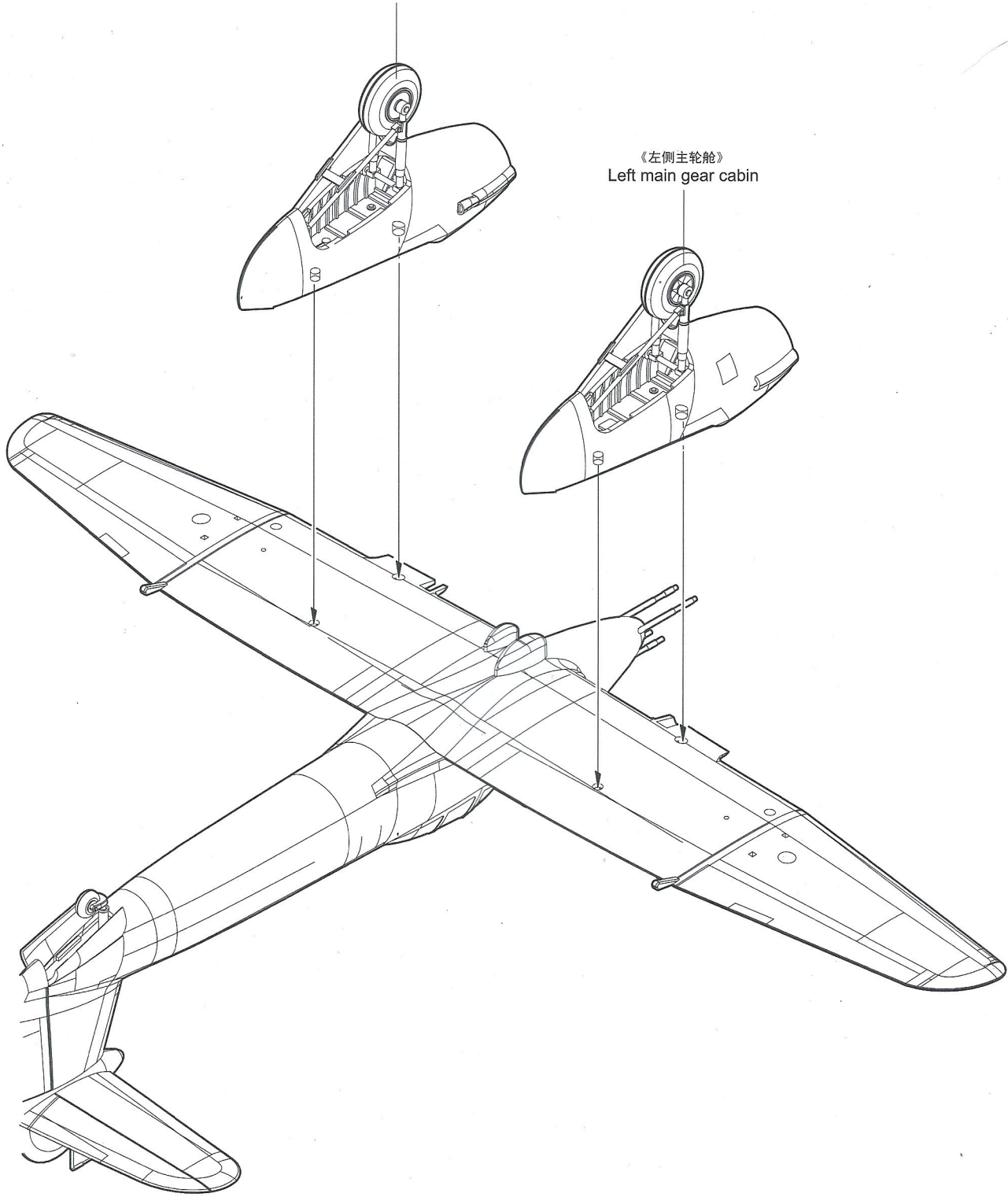
02890

5

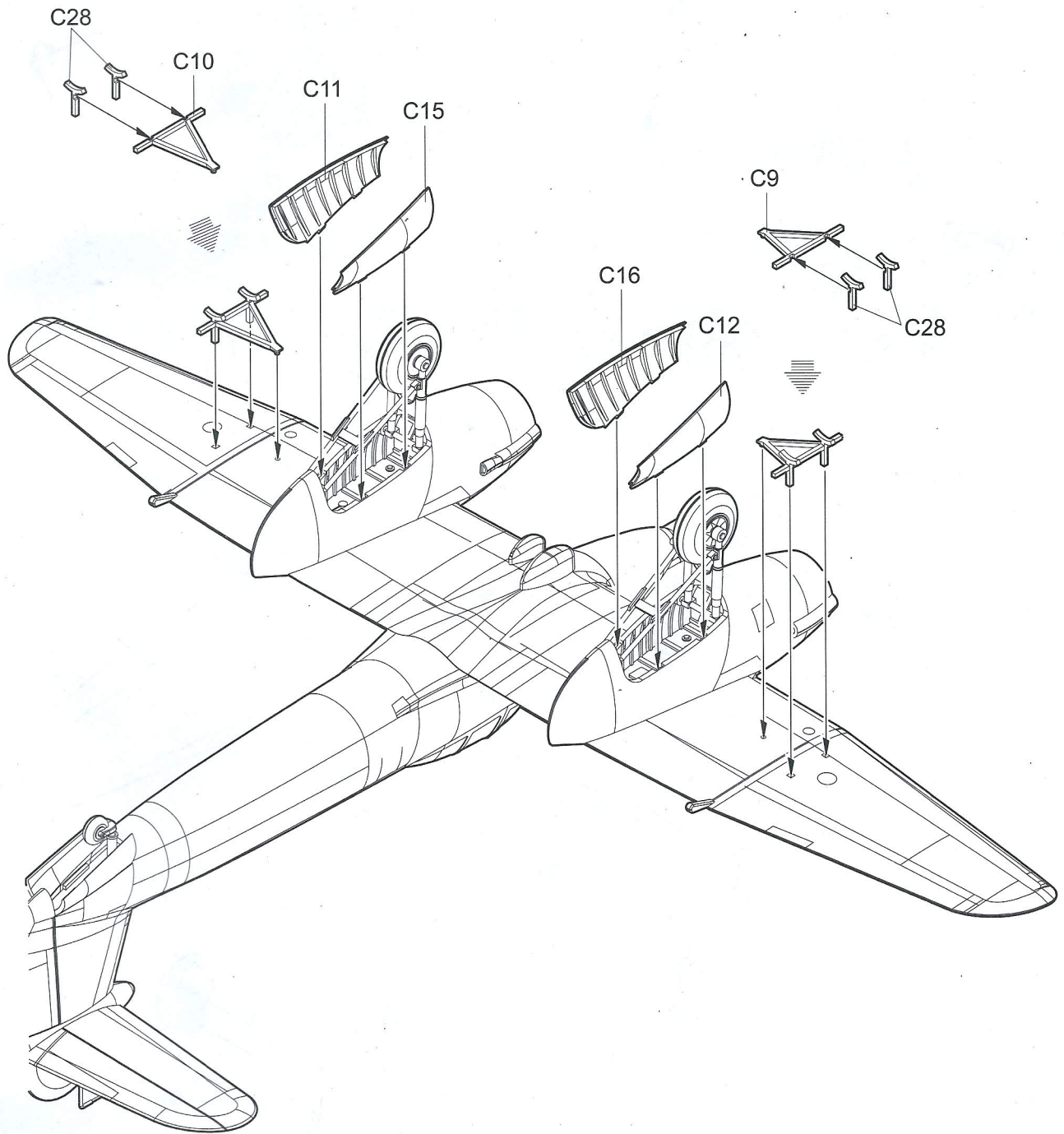
6

《右侧主轮舱》
Right main gear cabin

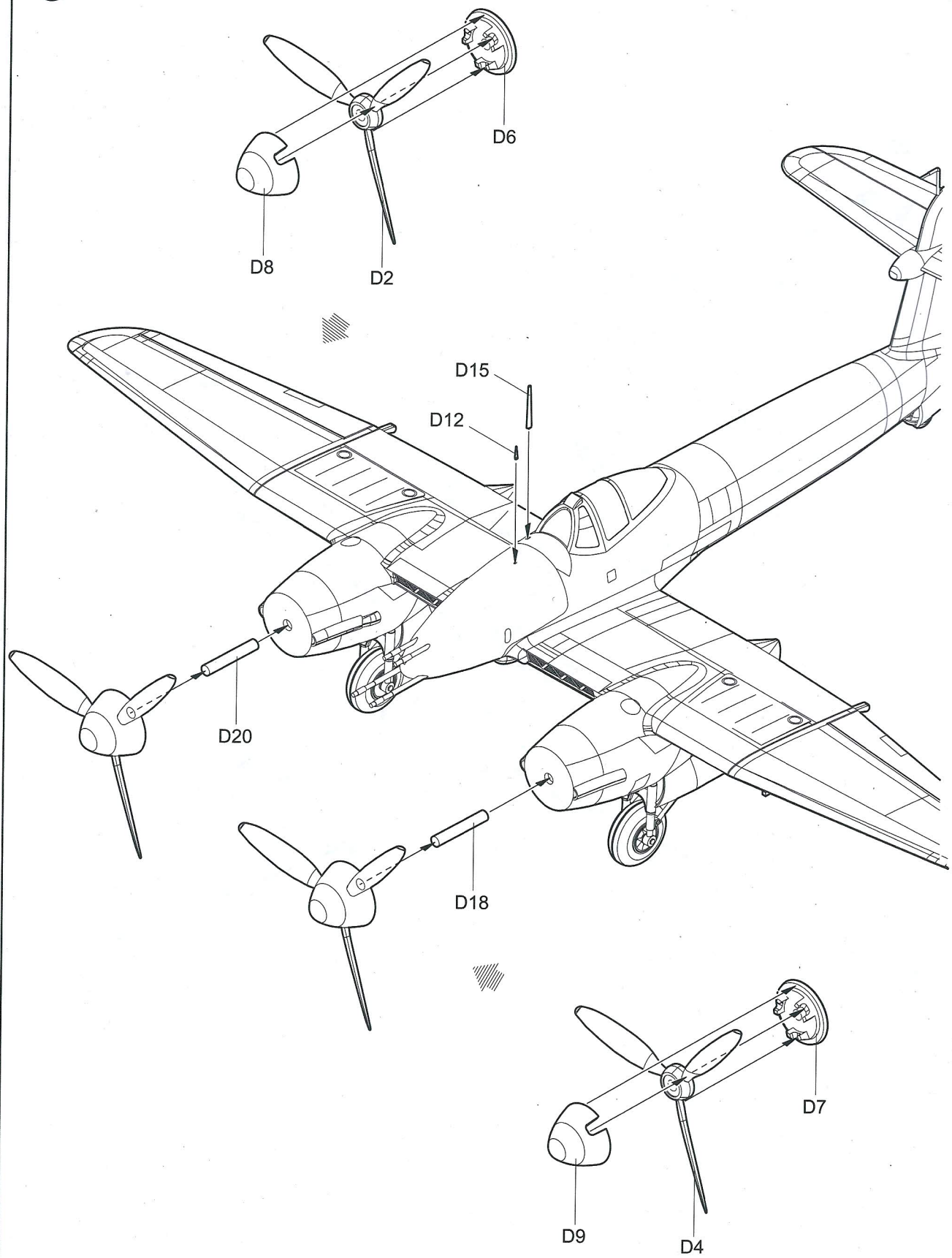
《左侧主轮舱》
Left main gear cabin



7



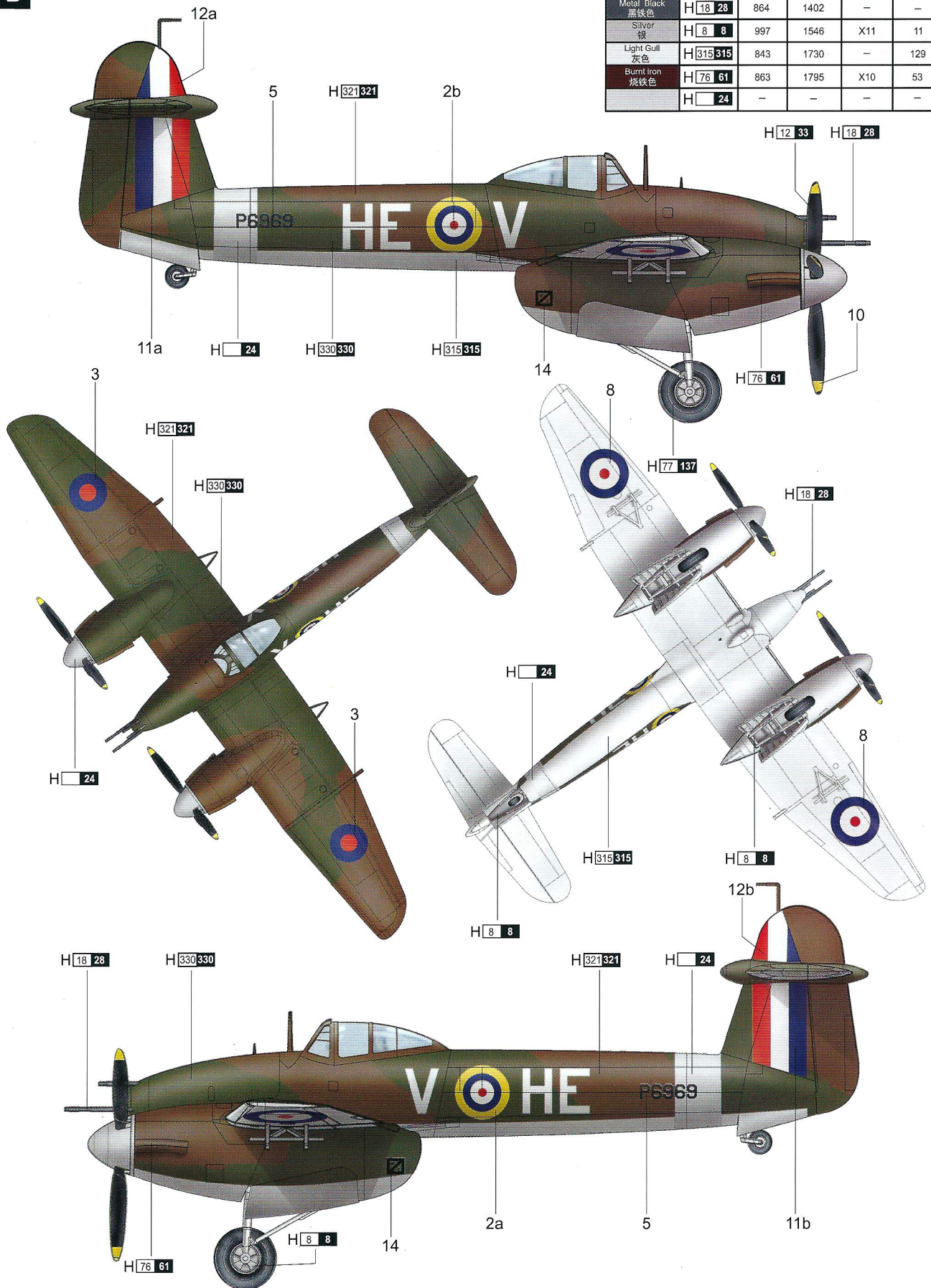
8



涂装同标贴指示 Painting & Marking guide

B

| PAINT REFERENCE COLOUR | | | | | |
|-------------------------|-----------|---------|--------------|--------|---------|
| Color | Mr.Hobby | Vallejo | Model Master | Tamiya | Humbrol |
| Dark Green 墨绿色 | H 309 309 | 892 | - | - | 163 |
| Grey Light Brown 棕褐色 | H 321 321 | - | - | XF54 | 164 |
| Flat Black 消光黑 | H 12 33 | 950 | 1749 | XF1 | 33 |
| Tire Black 胎黑色 | H 77 137 | - | - | - | - |
| Metal Black 黑铁色 | H 18 28 | 864 | 1402 | - | - |
| Silver 银 | H 8 8 | 997 | 1546 | X11 | 11 |
| Light Gull 灰色 | H 315 315 | 843 | 1730 | - | 129 |
| Burnt Iron 烧铁色 | H 76 61 | 863 | 1795 | X10 | 53 |
| | H 24 | - | - | - | - |



H □ AQUEOUS HOBBY COLOR ■ Mr. COLOR

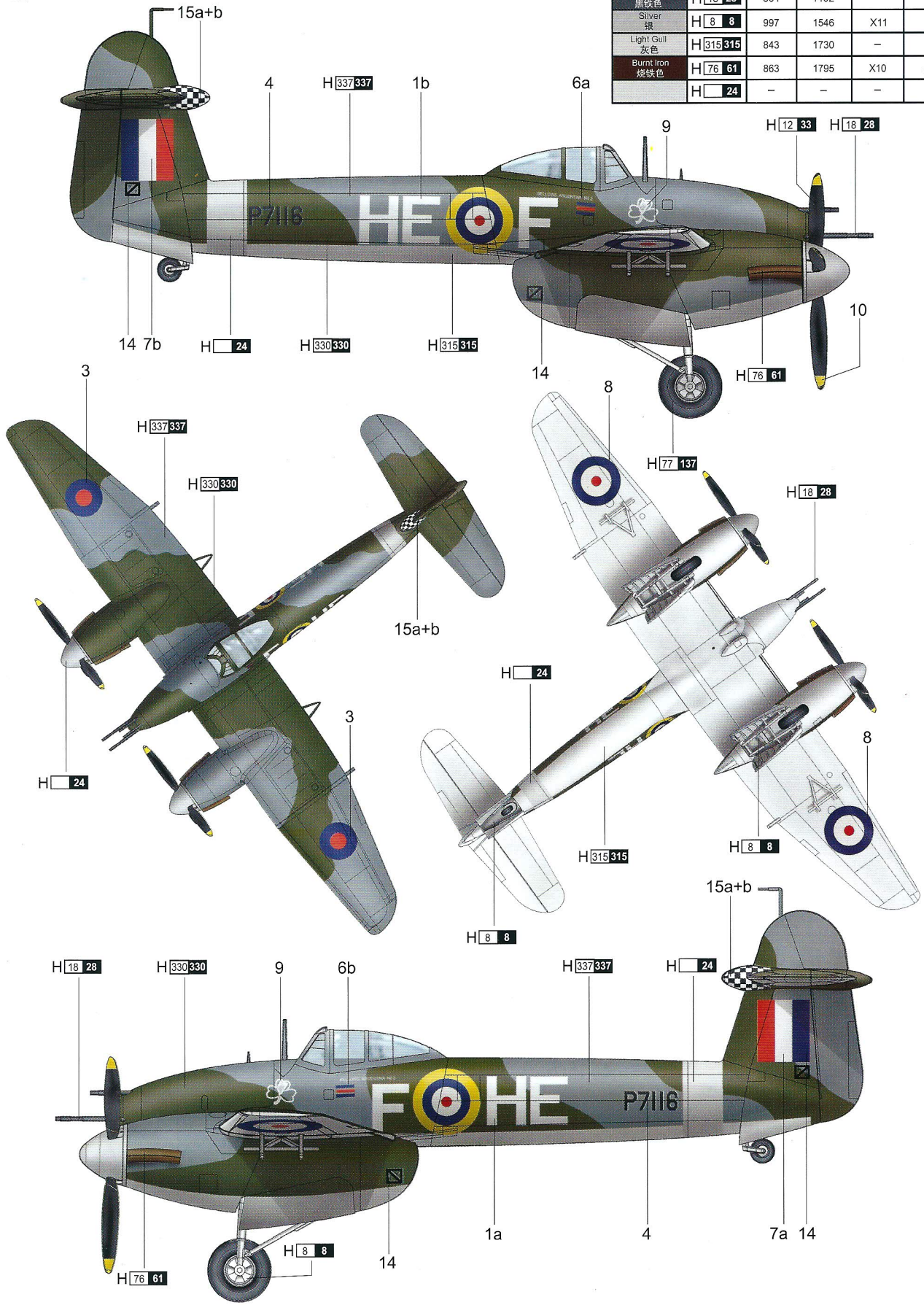
SON
263

涂装同标贴指示 Painting & Marking guide

PAINT REFERENCE COLOUR

| Color | Mr.Hobby | Vallejo | Model Master | Tamiya | Humbrol |
|--------------------|-----------|---------|--------------|--------|---------|
| Dark Green 墨绿色 | H 330 330 | 892 | - | - | 163 |
| Gray Blue 浅灰蓝 | H 337 337 | - | 1721 | XF20 | 145 |
| Flat Black 消光黑 | H 12 33 | 950 | 1749 | XF1 | 33 |
| Tire Black 胎黑色 | H 77 137 | - | - | - | - |
| Metal Black 黑铁色 | H 18 28 | 864 | 1402 | - | - |
| Silver 银 | H 8 8 | 997 | 1546 | X11 | 11 |
| Light Gull 灰色 | H 315 315 | 843 | 1730 | - | 129 |
| Burnt Iron 烧铁色 | H 76 61 | 863 | 1795 | X10 | 53 |
| | H 24 | - | - | - | - |

A



H □ AQUEOUS HOBBY COLOR ■ Mr. COLOR