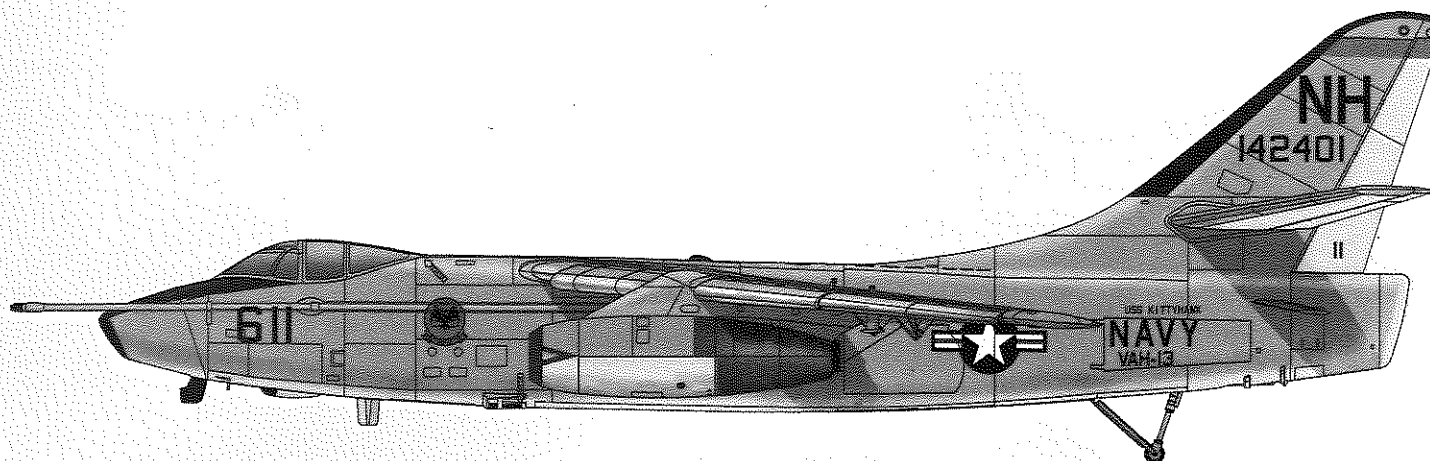


1/48 scale

ITEM NO.:02871



# EA-3B Skywarrior Strategic Bomber

## 美国EA-3B"空中勇士"攻击机

### READ BEFORE ASSEMBLY:

- This kit is not recommended for inexperienced modelers or for children under 14 years of age
- Study and understand these instructions thoroughly before beginning assembly
- When needed, remove photo-etch parts carefully using a modeling knife or photo etch sprue cutter, being careful not to damage or lose small parts.
- Take extra care in handling photo etch parts in order to avoid injury
- Apply instant cement sparingly to photo etch parts where instructed

- Tools recommended(not included in kit):Plastic and instant cements,sprue cutters,long nose pliers,,modeling knife, small files, tweezers, pin vise & scissors. Soft cloth and sandpaper will also assist in construction
- Glue and paint are not included in the kit. Use plastic cement and hobby paints only. Color guide for purchasing paint is included in the kit.
- Keep out of reach of small children. They must not be allowed to ingest small parts or handle plastic bags in any way.

### 装配之前仔细阅读

- 小心用模型锉刀锉平所有零件表面的注射浇口。
- 小心用刀片切下蚀刻片零件，不要遗失小零件。
- 用强力快干胶水粘合蚀刻片零件和金属轴。过量的快干胶水使用可能导致可动零件会粘住，小心涂胶。
- 取蚀刻片时应特别注意安全，防止利边划伤手指。
- 某些零件表面需贴上水贴纸，请选择在装配的同时进行。
- 推荐模型工具(自备)：胶水，水口剪刀，长咀钳，刀片，锉刀，镊子钳，钻，剪刀，瞬间快干胶。
- 软布同砂纸同时也应该是必备工具。
- 请使用塑料胶水和油漆，模型内不含。
- 谨防小孩吸吮塑料零件，或者将塑料袋套在头上，制作时应将套材远离小孩接触。
- 本产品不适合14岁以下没有经验的模型爱好者。

### 水贴纸的使用:

1. 从水贴纸上剪下印花;
2. 将印花放入温水中浸10秒, 然后放在干净布上.
3. 拿着印花纸板将印花移到模型上;
4. 手指蘸水将印花移到适当的位置;
5. 用软布轻压印花直至水干, 汽泡消失.

### DECAL APPLICATION:

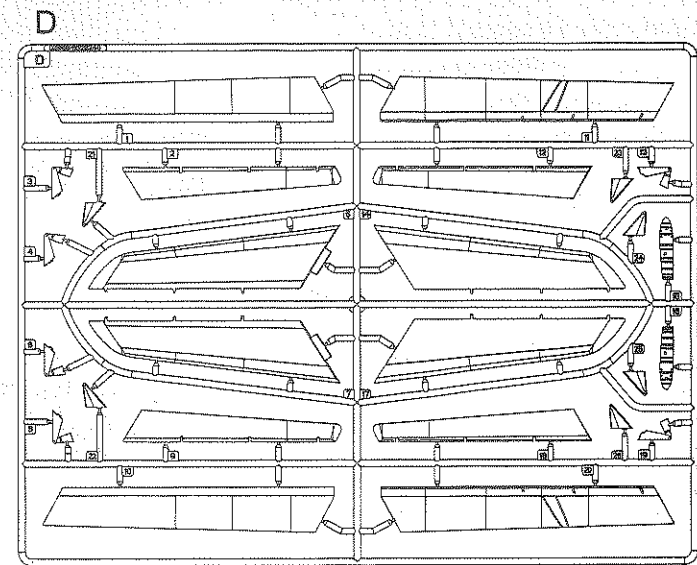
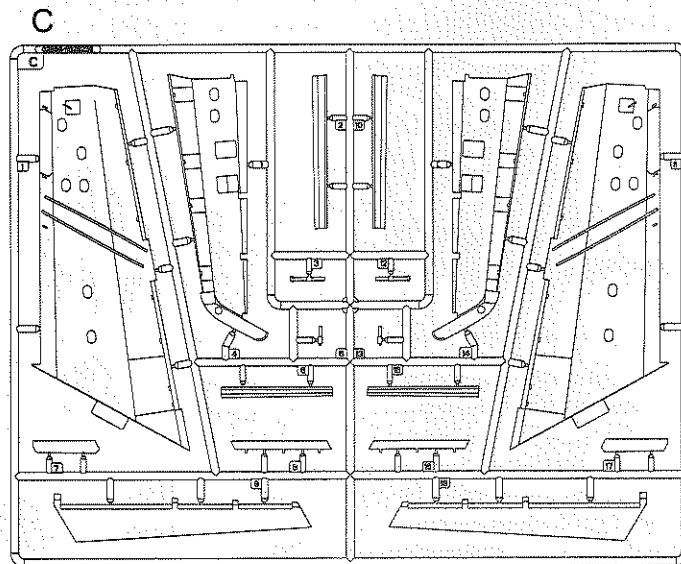
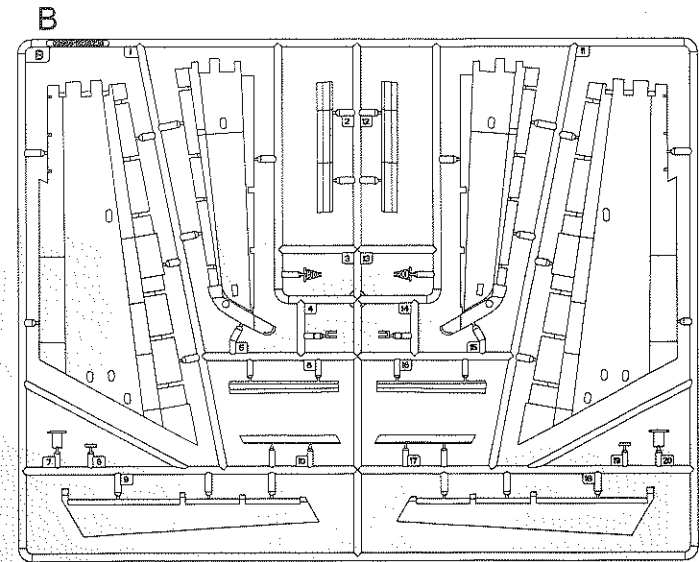
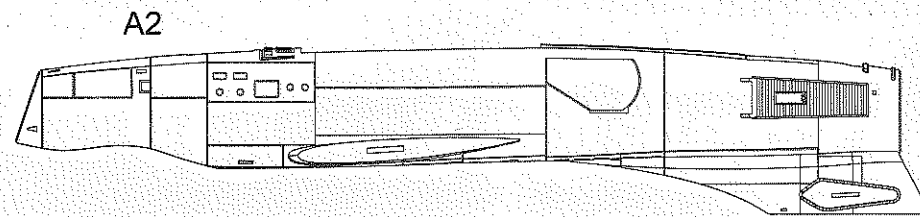
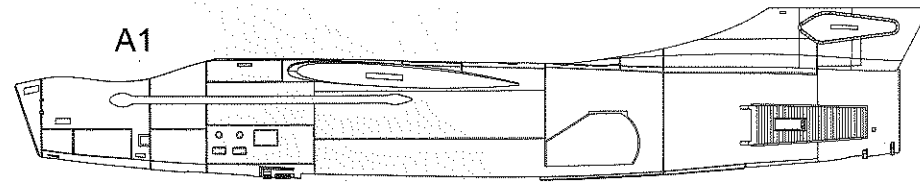
1. Cut decals from sheet as needed
2. Dip the decal in warm water for about 10 seconds and then place on soft clean cloth.
3. Hold the decal backing sheet edge and gently slide the decal onto the model in its proper position.

4. While still wet, decal can be adjusted for better fit on model by dampening it gently with your finger.
5. When placed in the proper position, gently press decal down with a soft cloth until excess water and air bubbles are gone.
6. Allow decal to dry completely before handling model

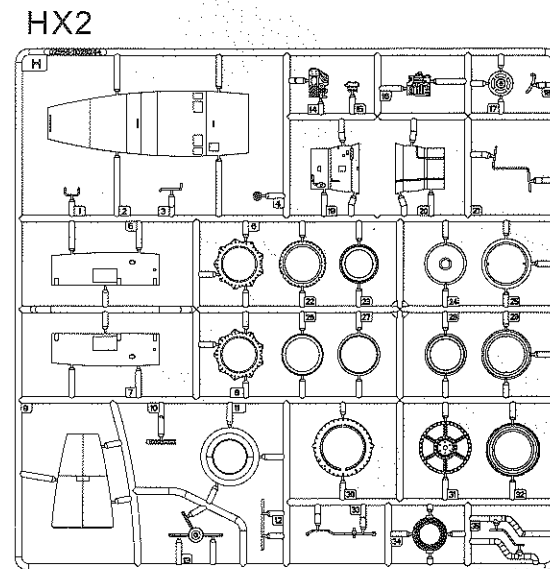
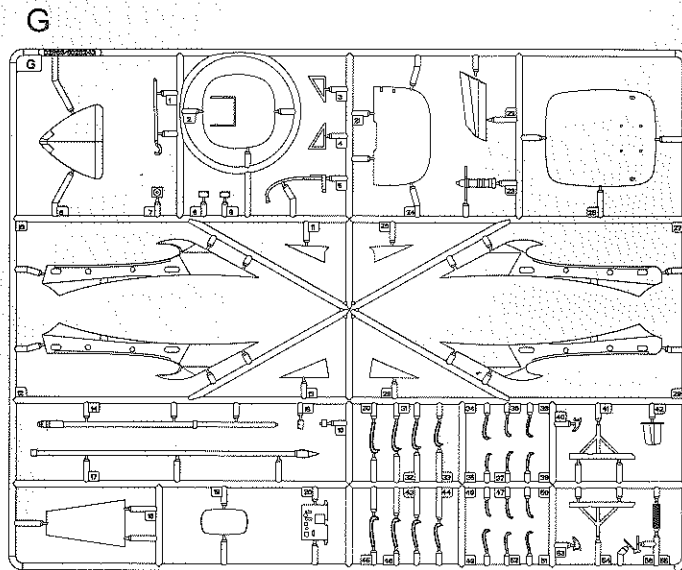
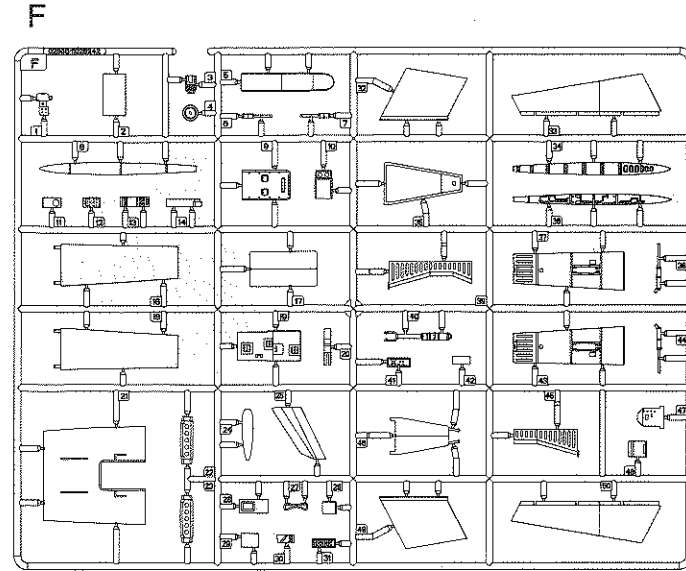
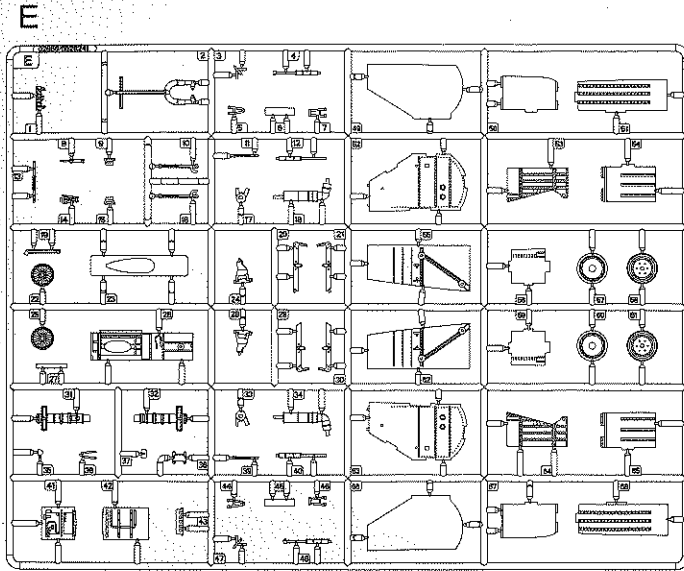


02871

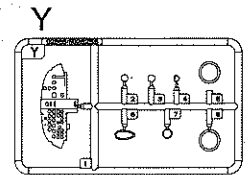
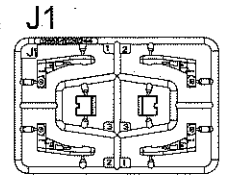
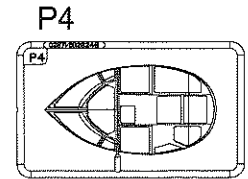
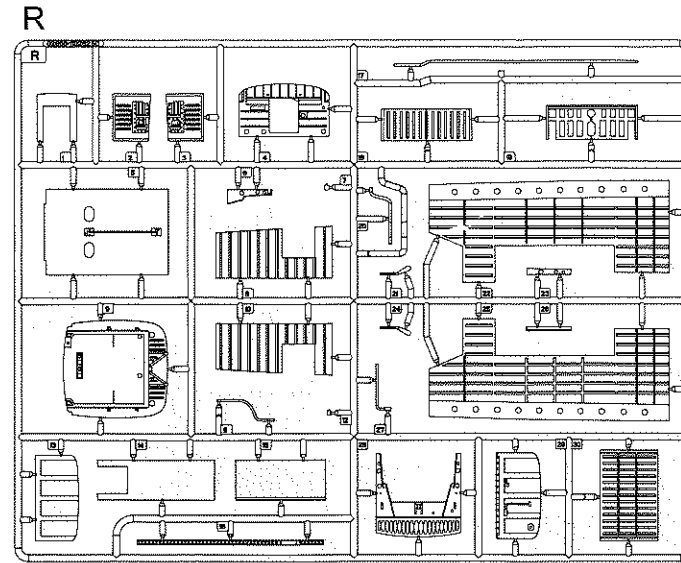
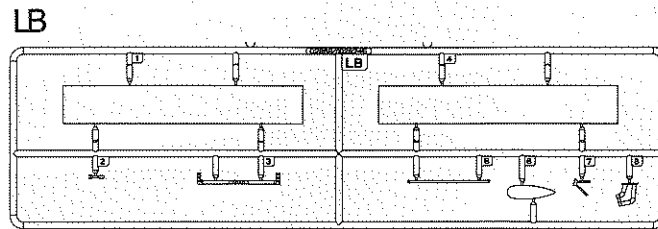
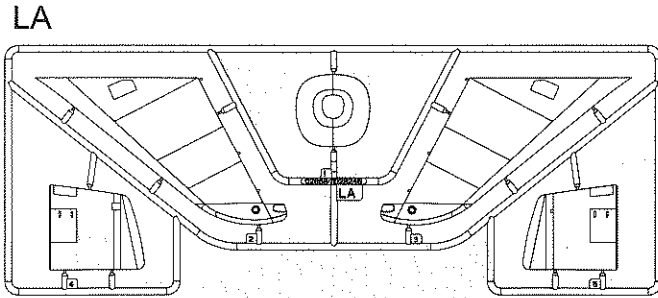
部品图  
Parts



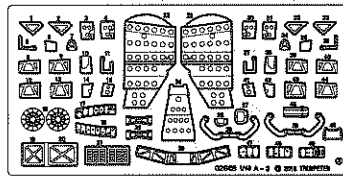
部品图  
Parts



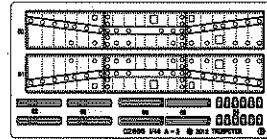
部品图  
Parts



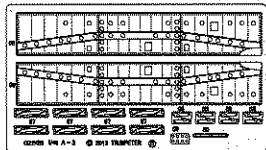
《蚀刻片》A  
Photo etched part(PE)



《蚀刻片》B  
Photo etched part(PE)



《蚀刻片》C  
Photo etched part(PE)



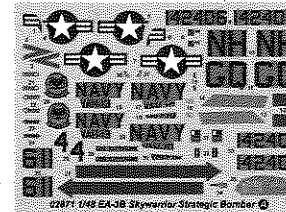
《前轮胎》  
Nose tyre



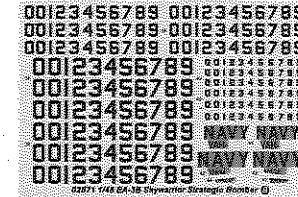
《主轮胎》X2  
Main tyre



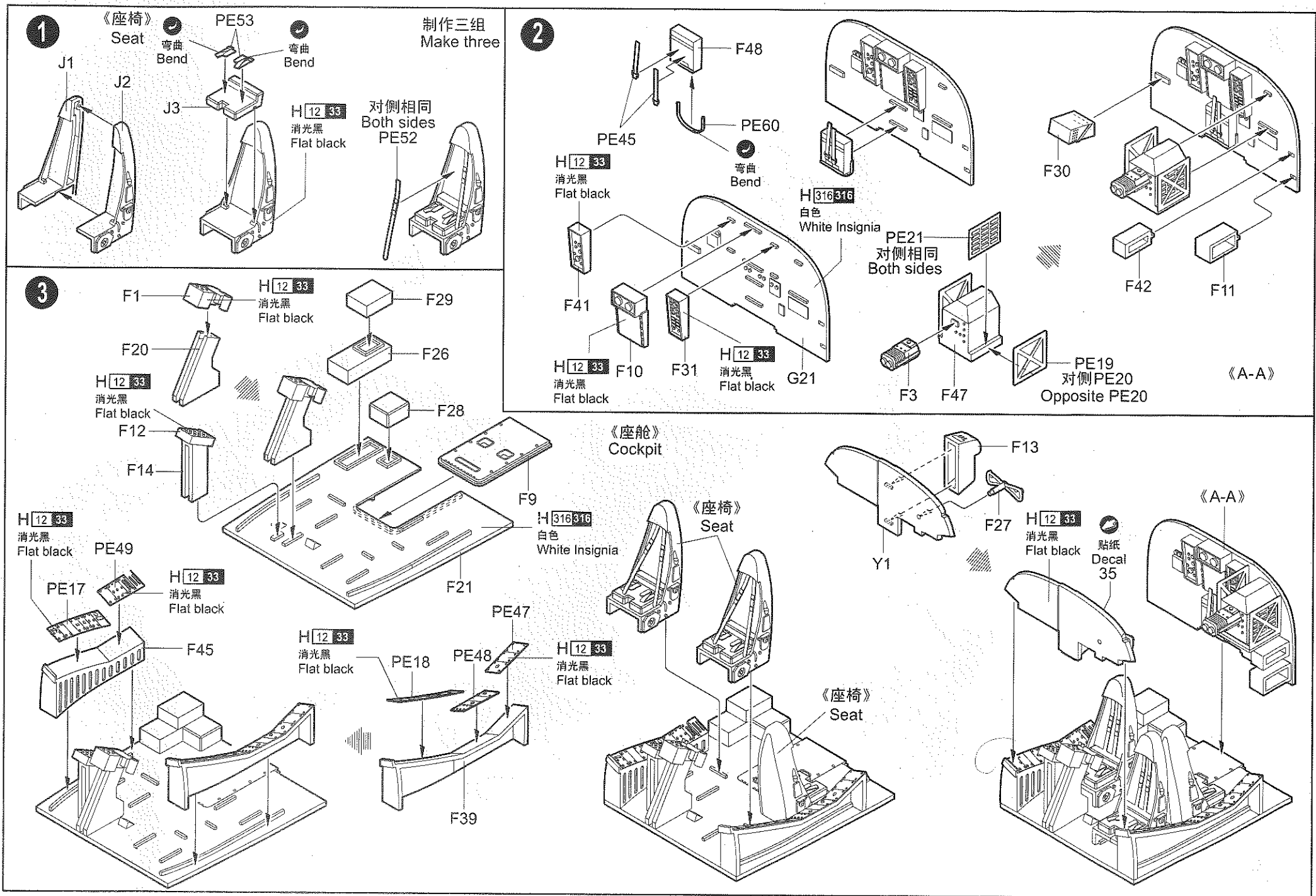
《水贴》A  
Decal

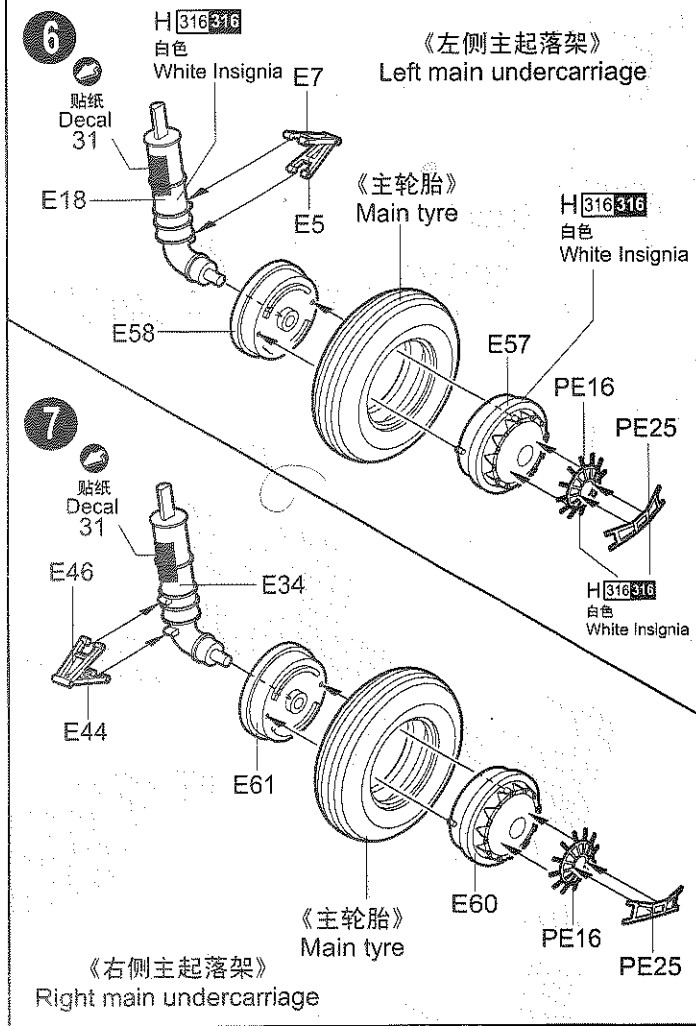
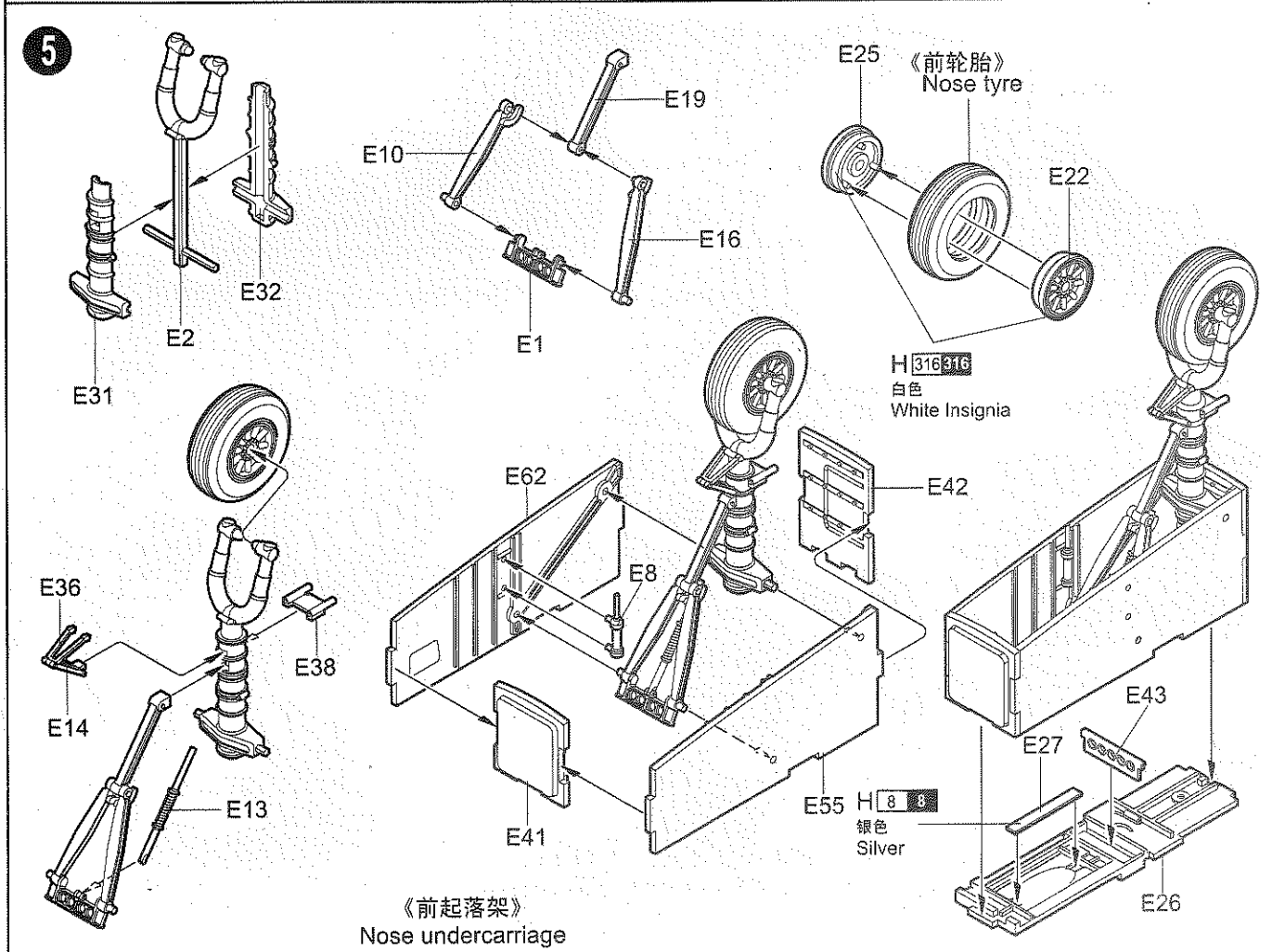
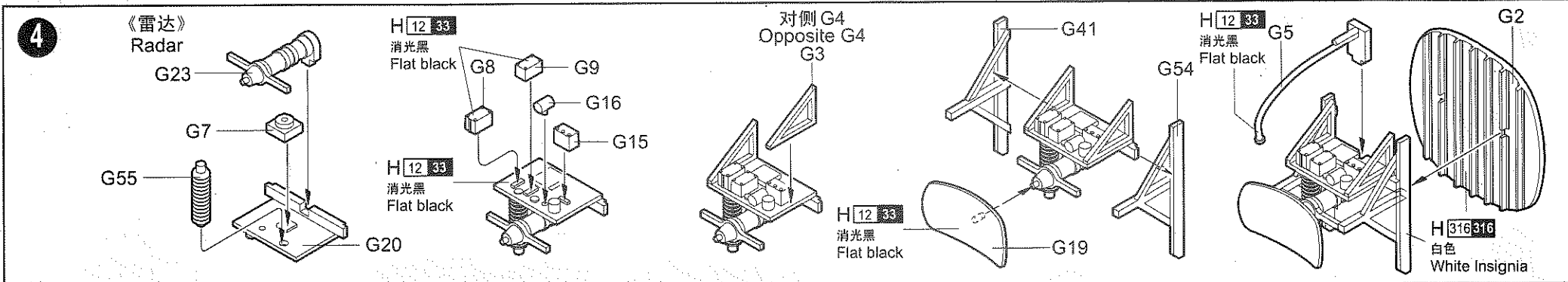


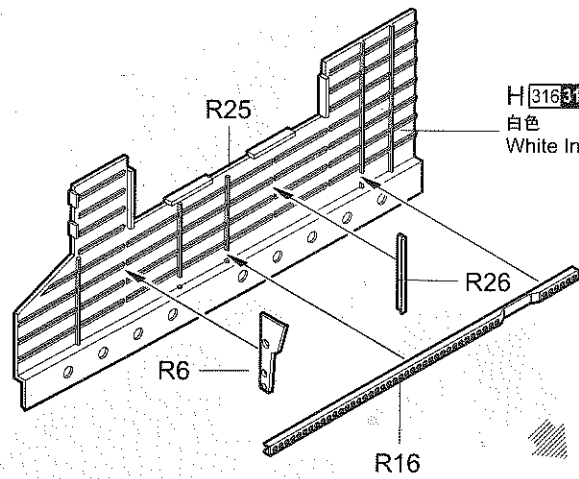
《水贴》B  
Decal



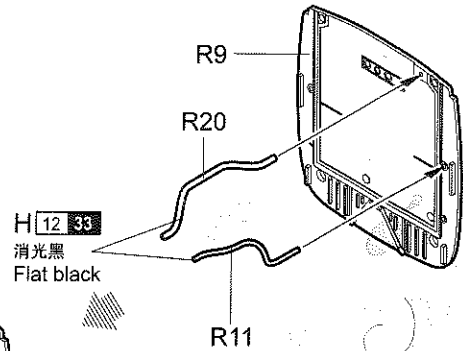
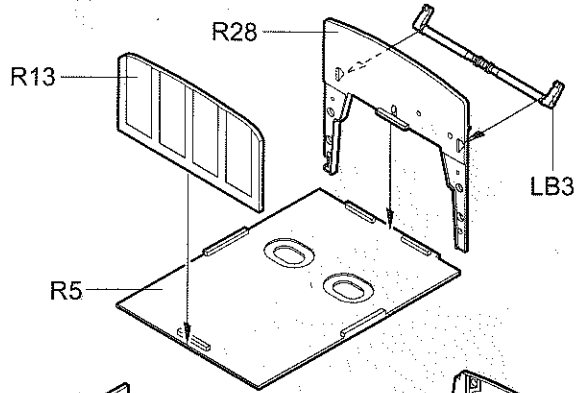
不用的部件: D3 D4 D6 D8 D13 D19 E35 F5 G22 LB7  
Unused parts Y7 Y5 Y8 PE55 PE56 PE57 PE58



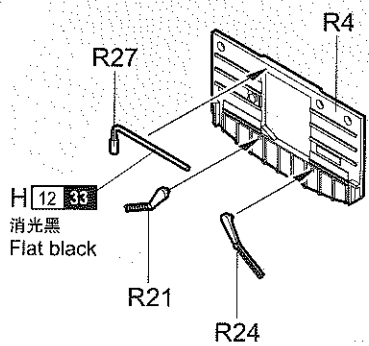




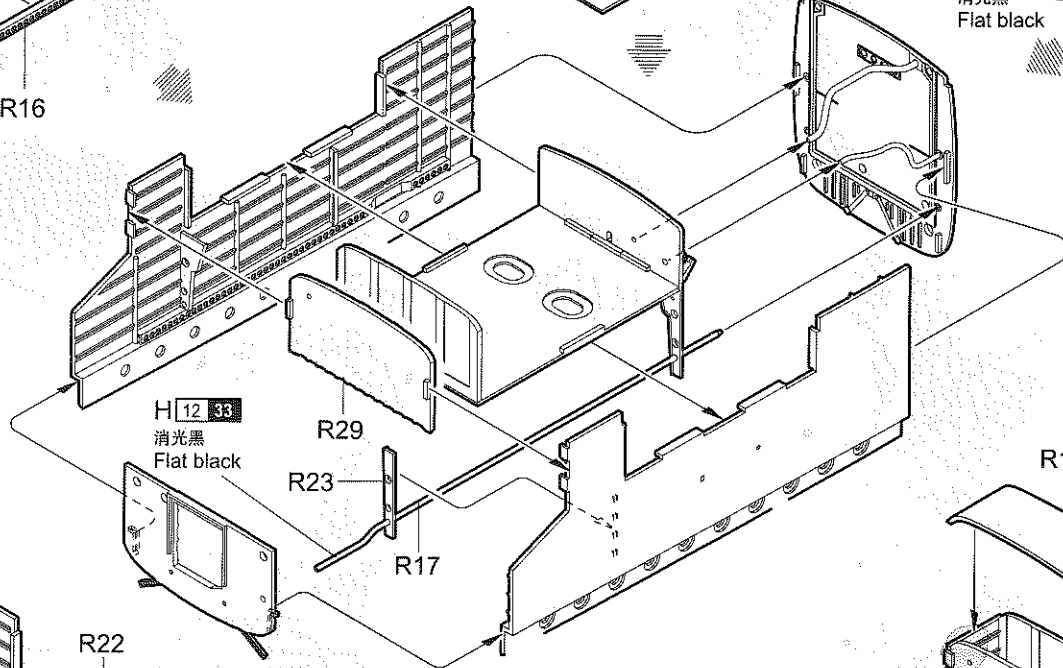
H 316 316  
白色  
White Insignia



H 12 33  
消光黑  
Flat black



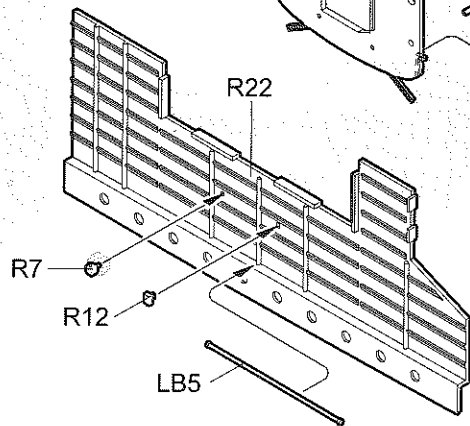
H 12 33  
消光黑  
Flat black



H 12 33  
消光黑  
Flat black

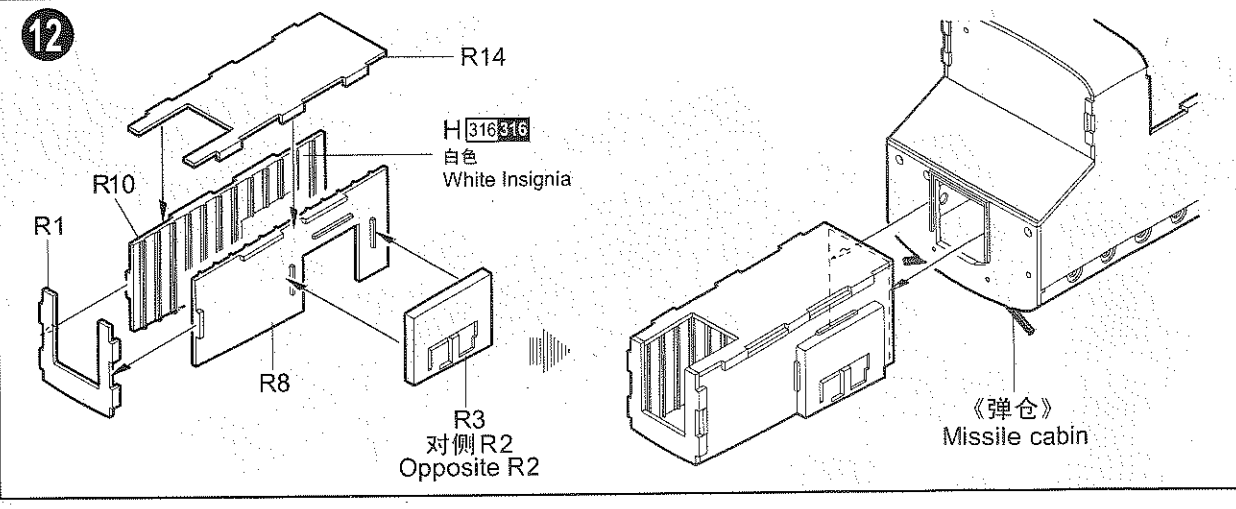
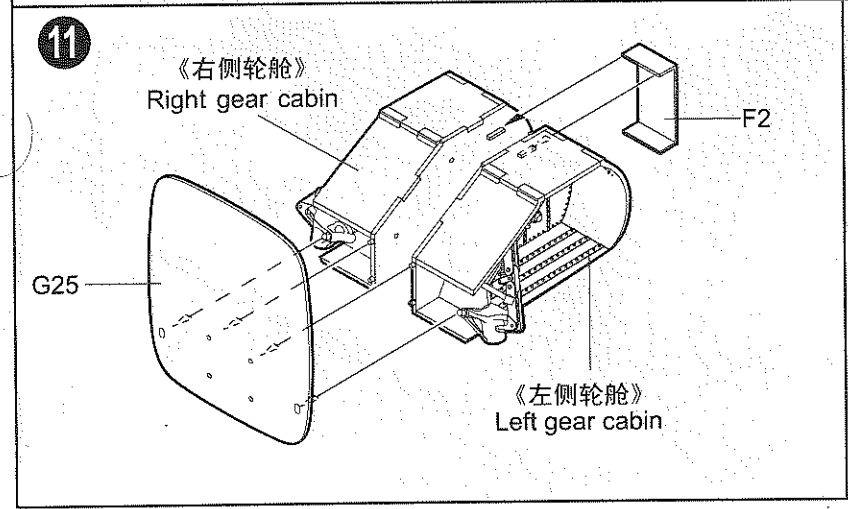
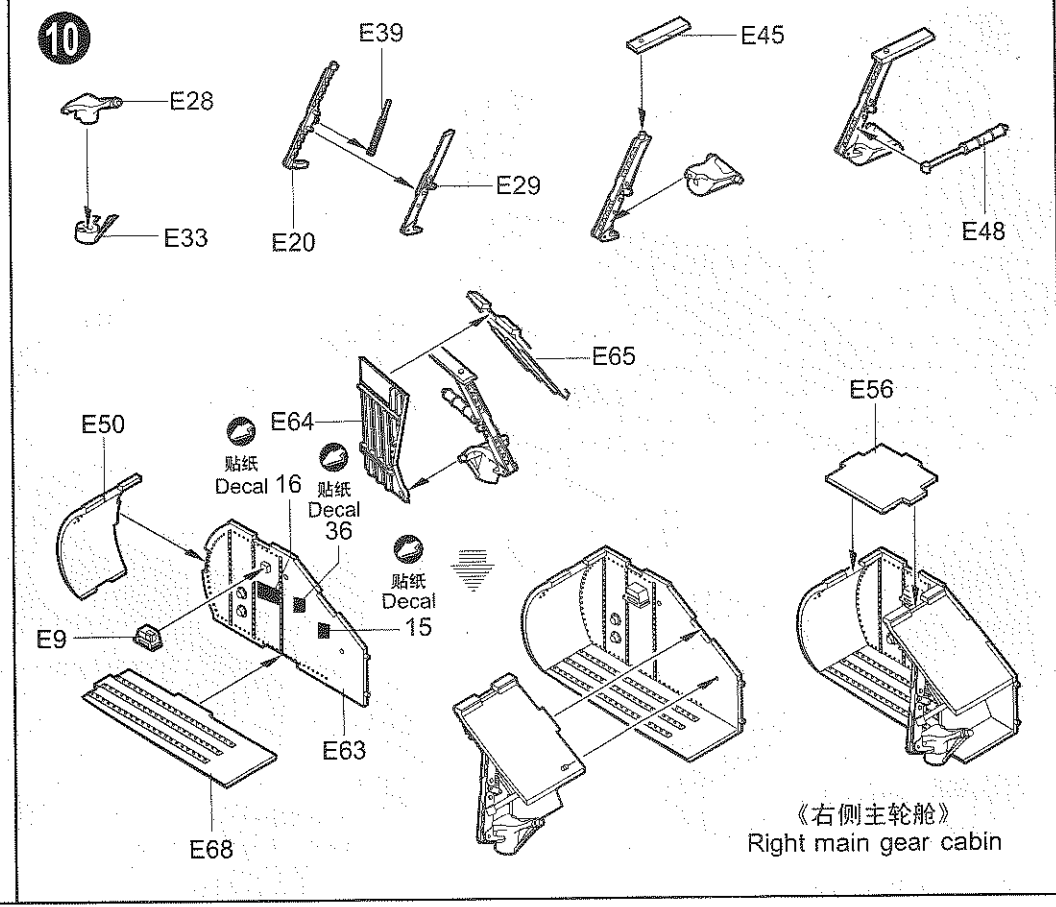
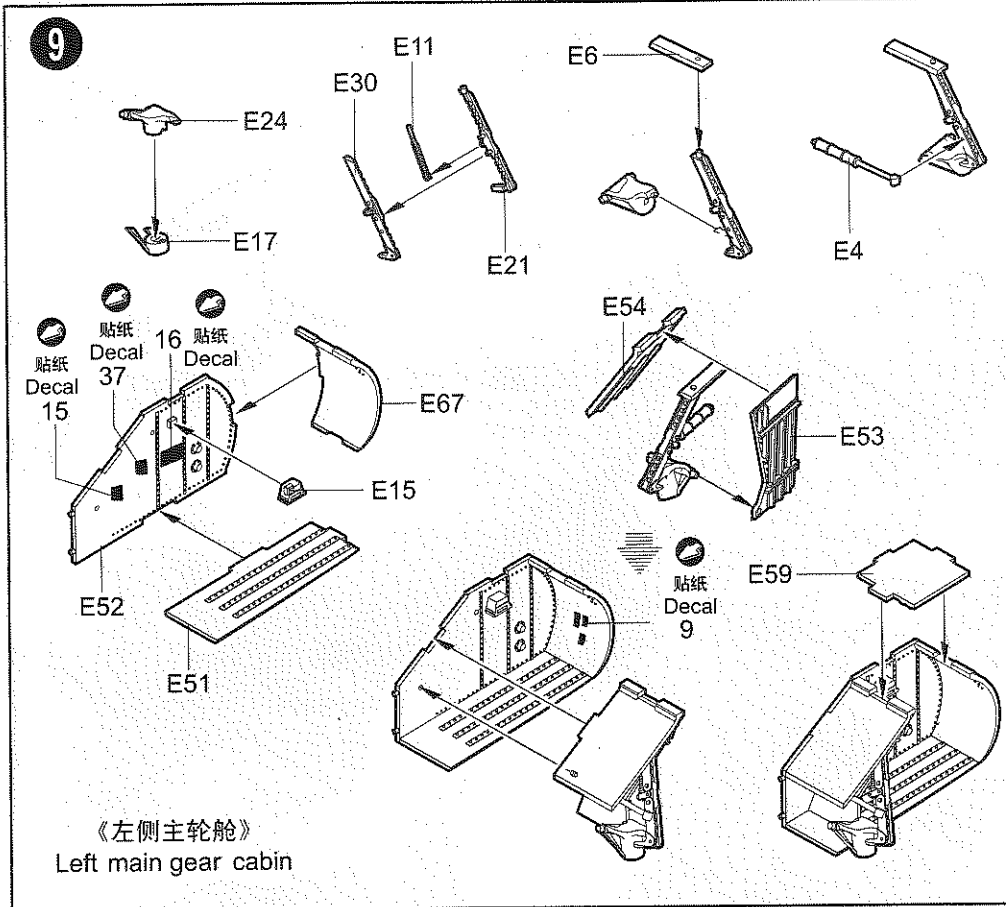
H 316 316  
白色  
White Insignia

《弹仓》  
Missilecabin

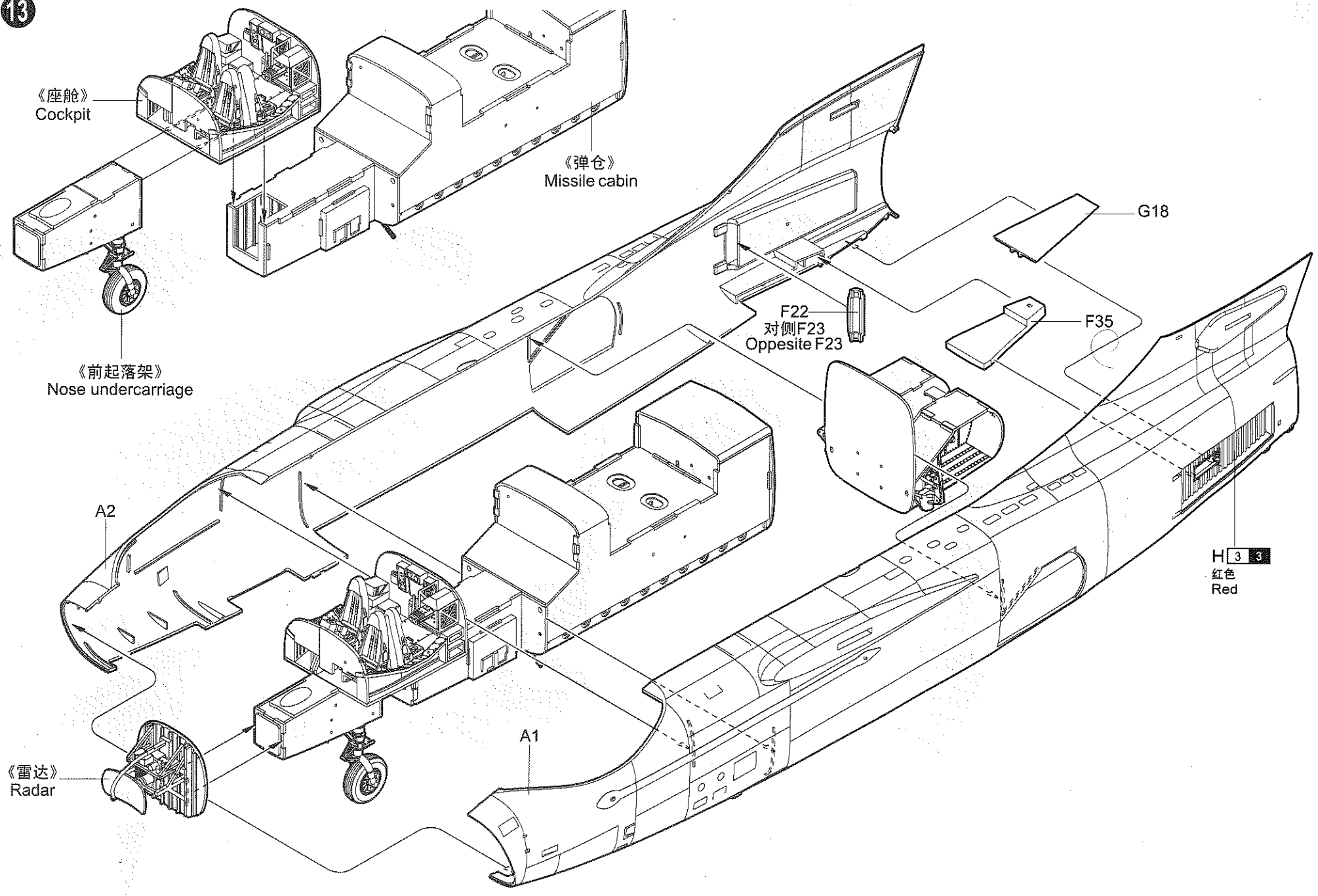


H 12 33  
消光黑  
Flat black

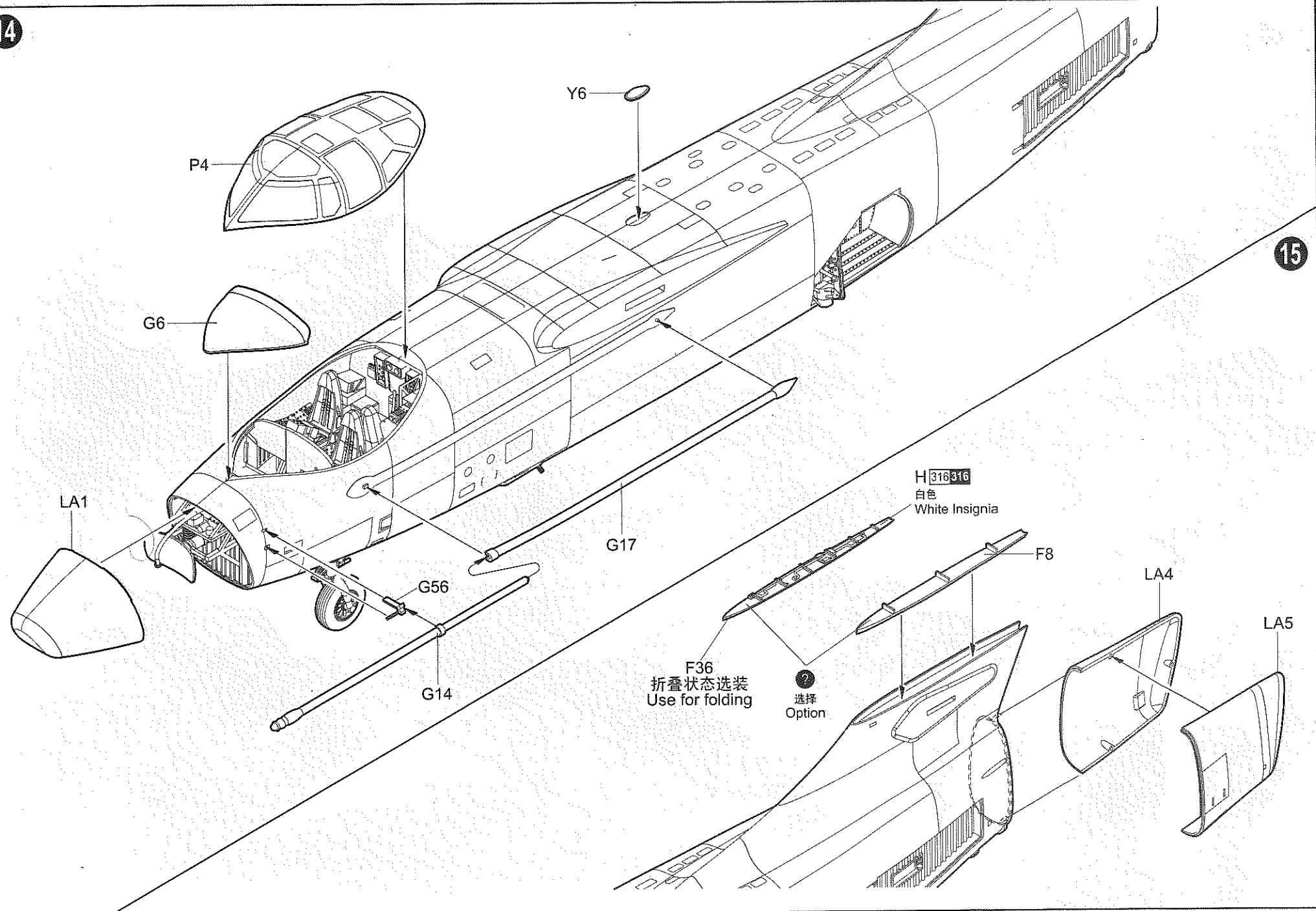
R15



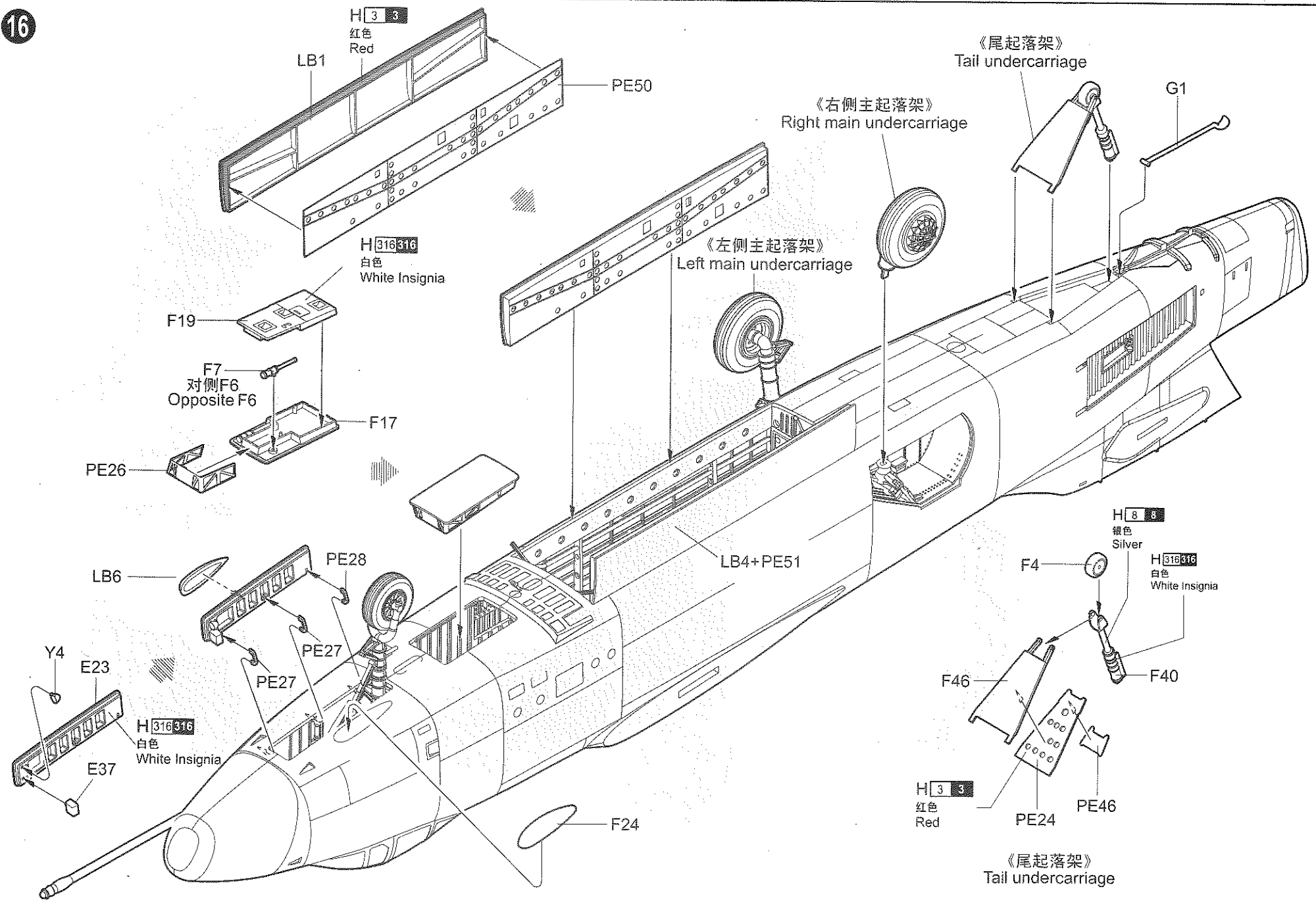
13



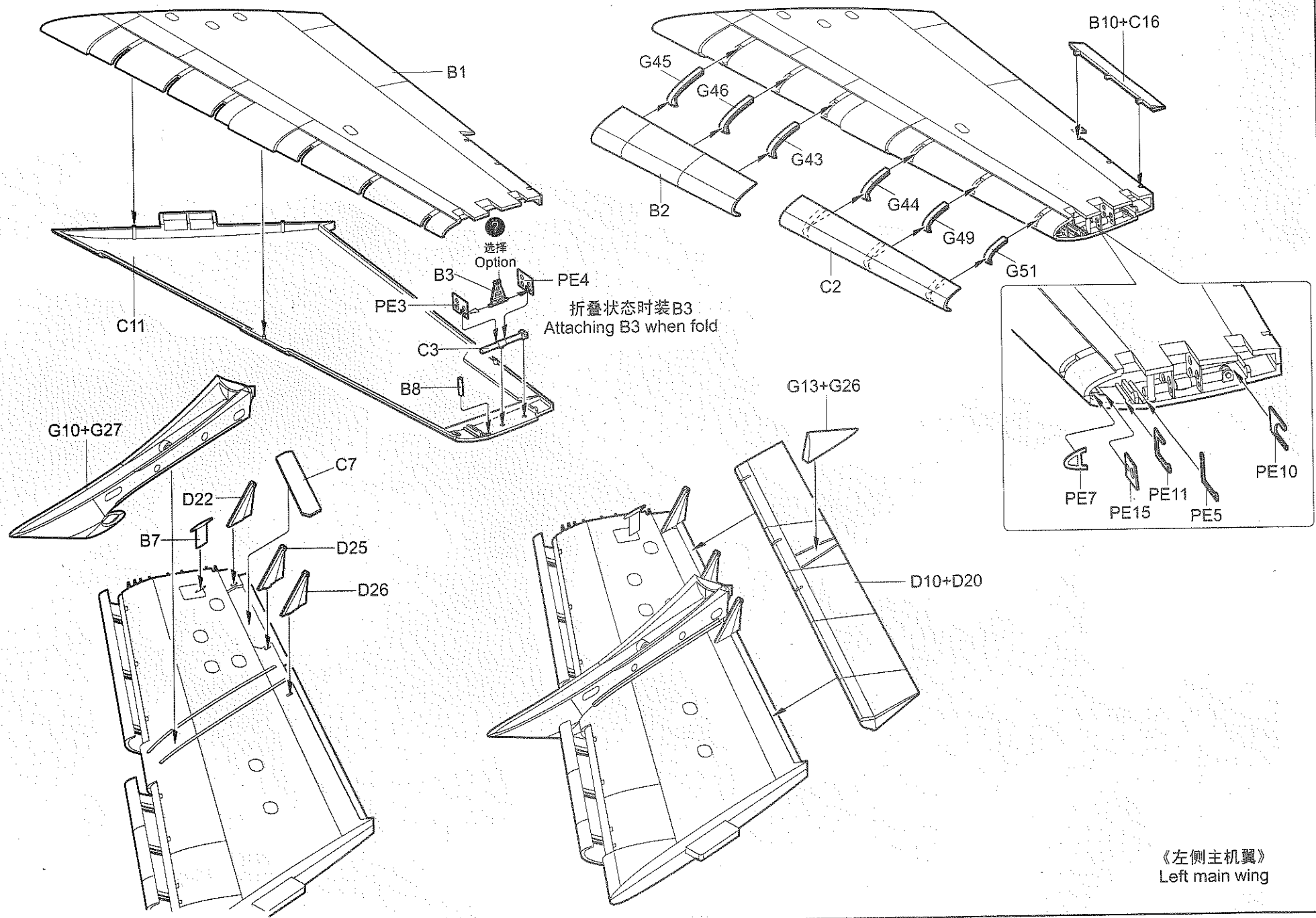
14



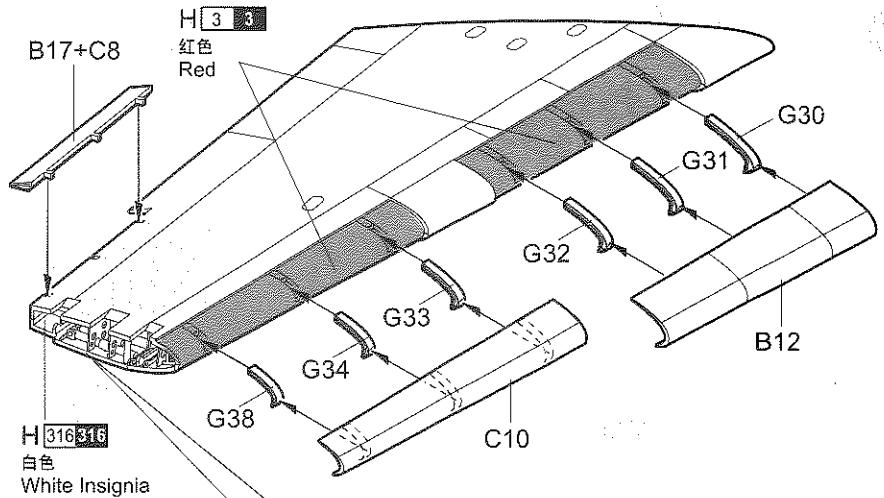
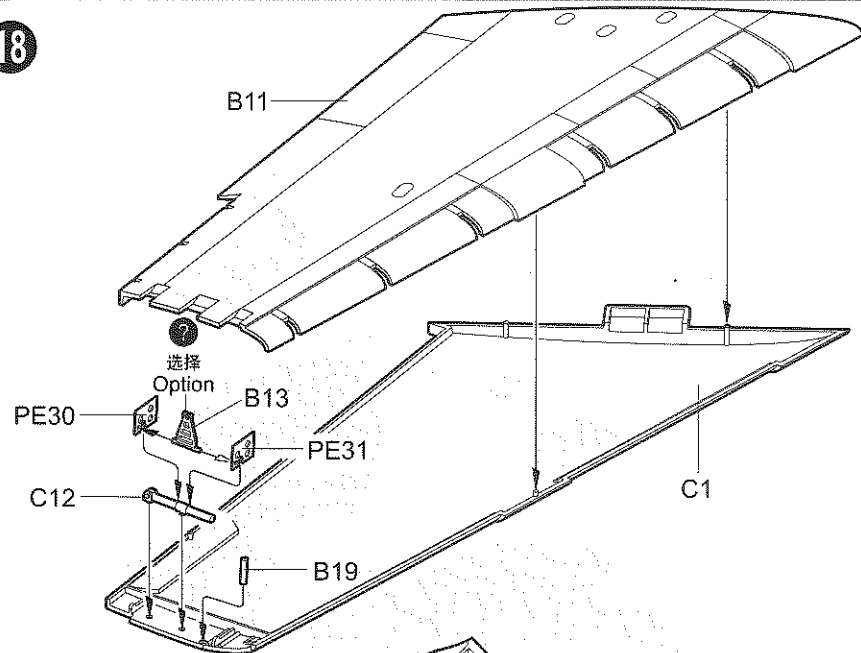
15



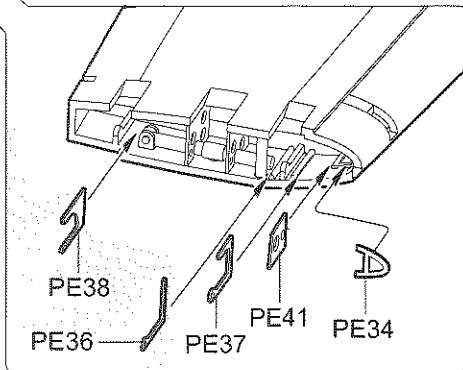
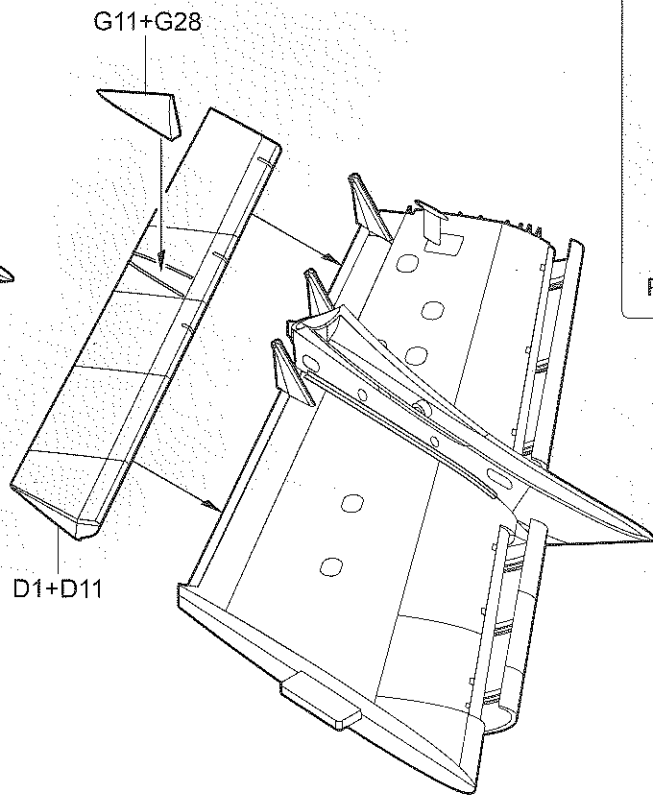
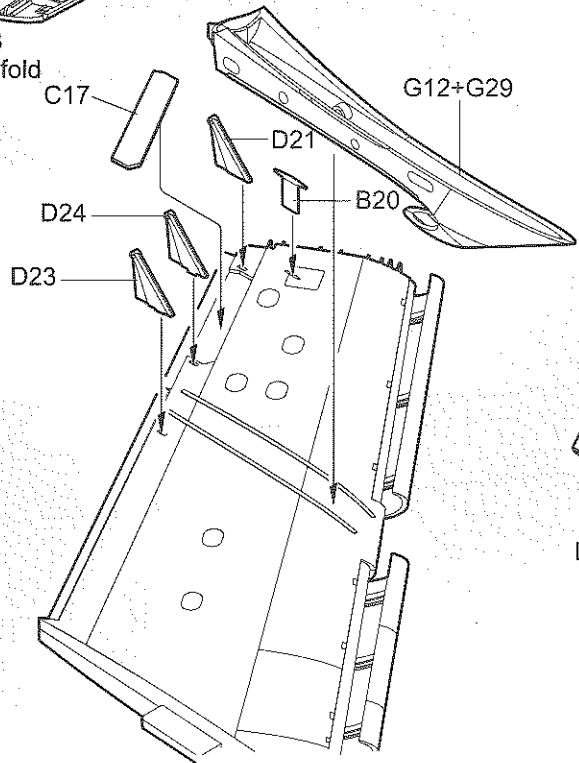
17



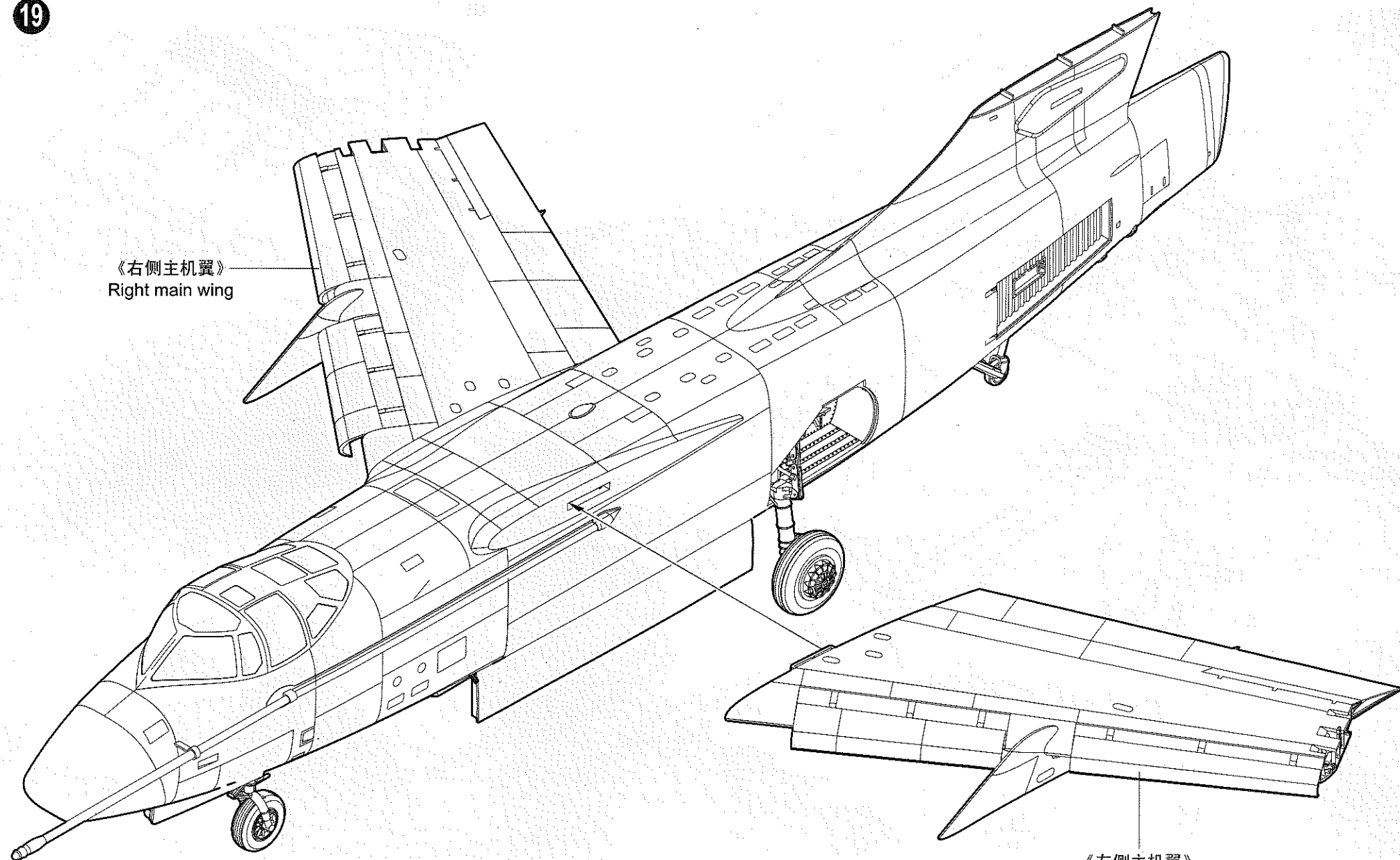
18



折叠状态时装B13  
Attaching B13 when fold



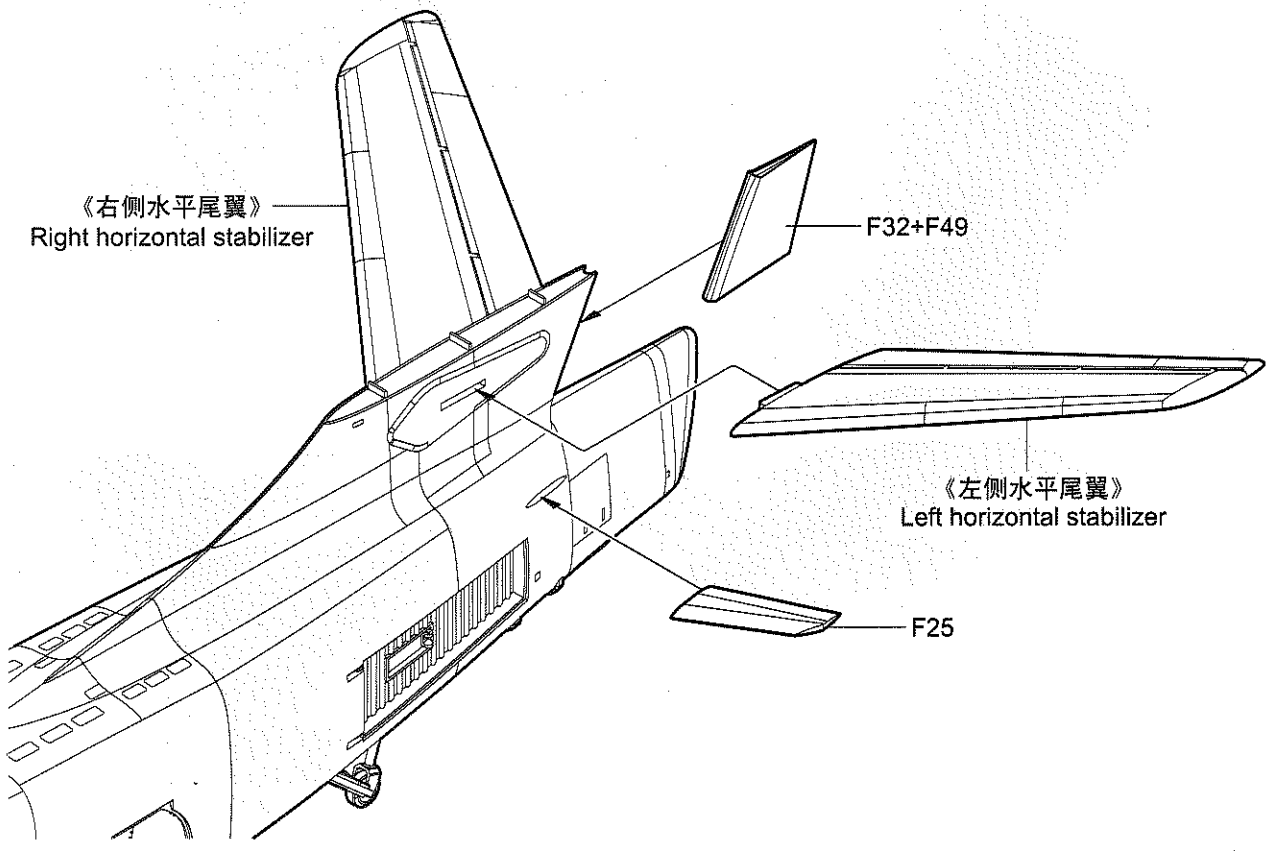
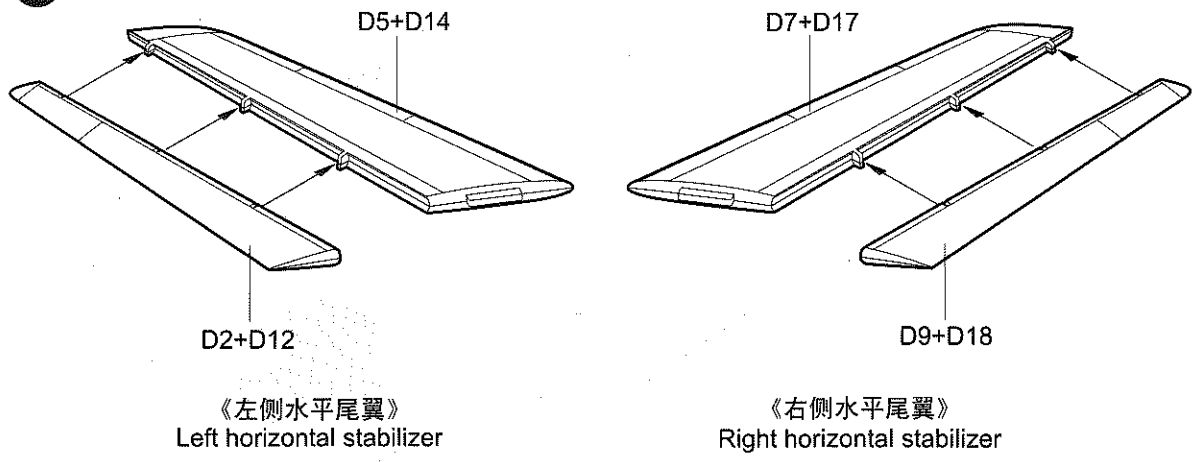
《右侧主机翼》  
Right main wing



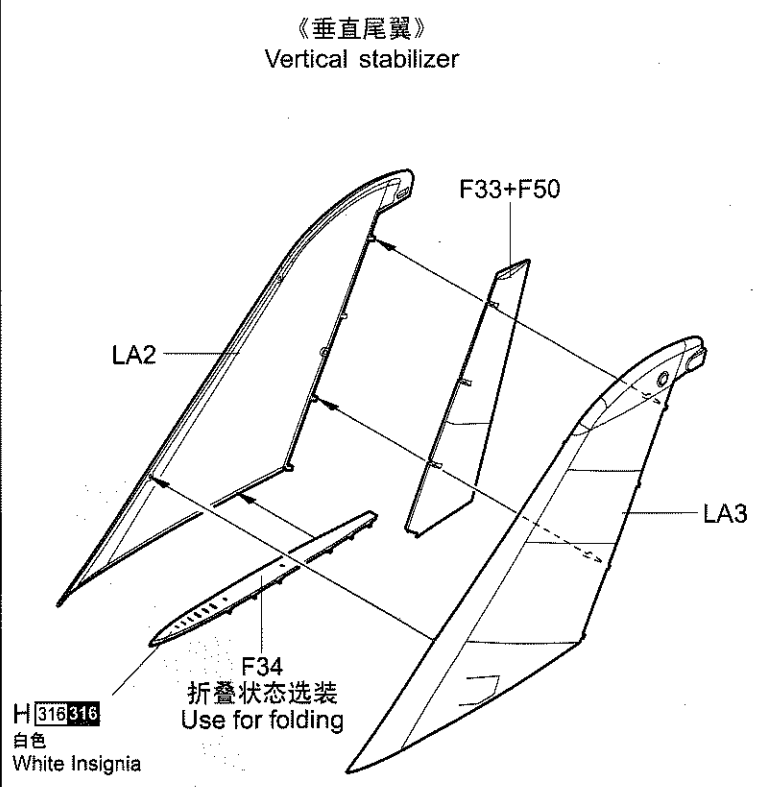
《右侧主机翼》  
Right main wing

《左侧主机翼》  
Left main wing

20

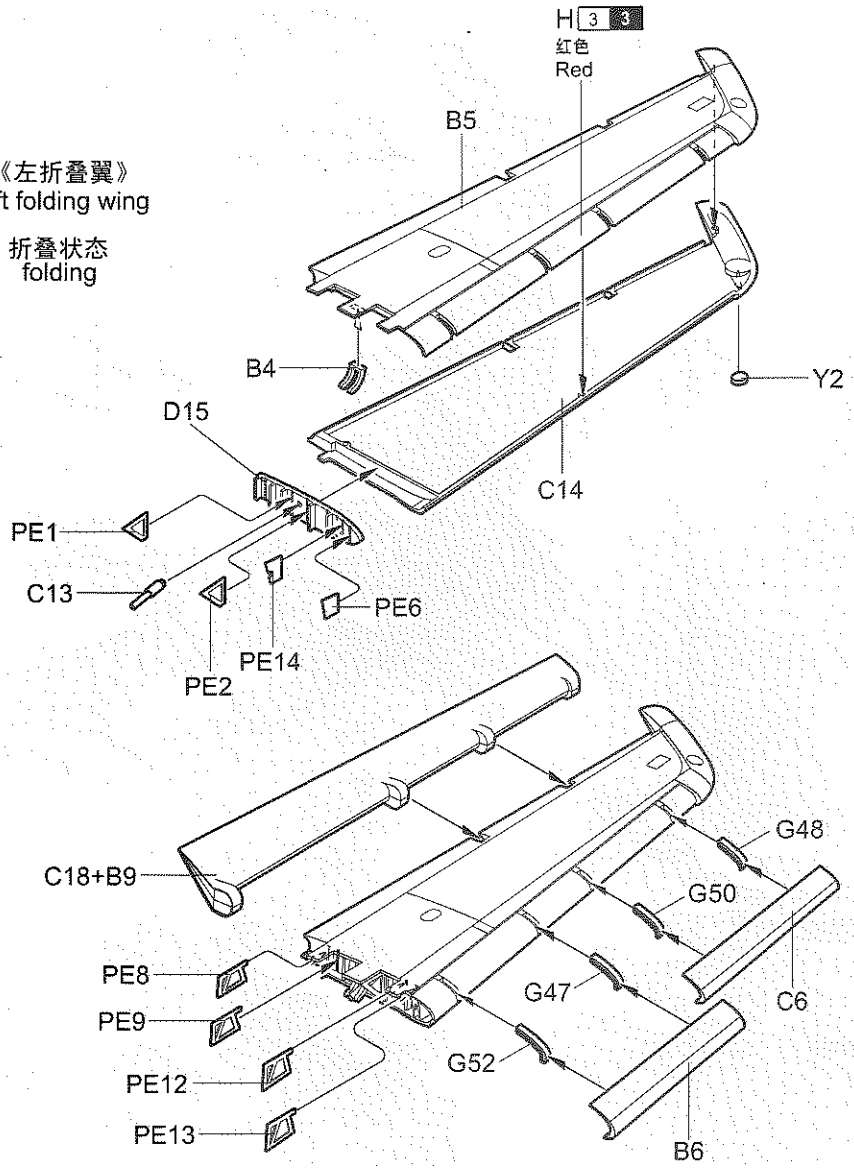


21



22

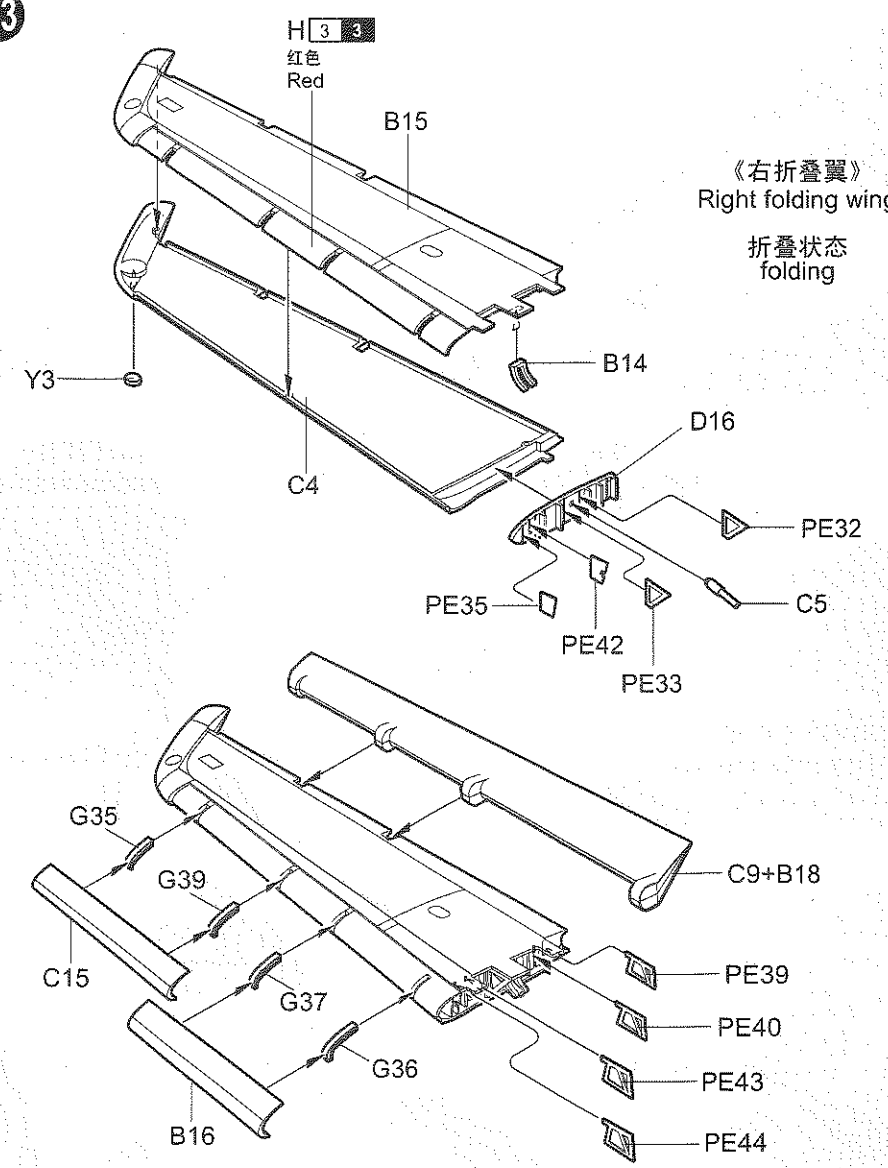
《左折叠翼》  
Left folding wing  
折叠状态  
folding



展开状态时: C13、PE6、PE14、PE8、PE9、PE12、PE13 不用  
C13、PE6、PE14、PE8、PE9、PE12、PE13 Unused when open

23

《右折叠翼》  
Right folding wing  
折叠状态  
folding



展开状态时: C5、PE35、PE42、PE39、PE40、PE43、PE44 不用  
C5、PE35、PE42、PE39、PE40、PE43、PE44 Unused when open

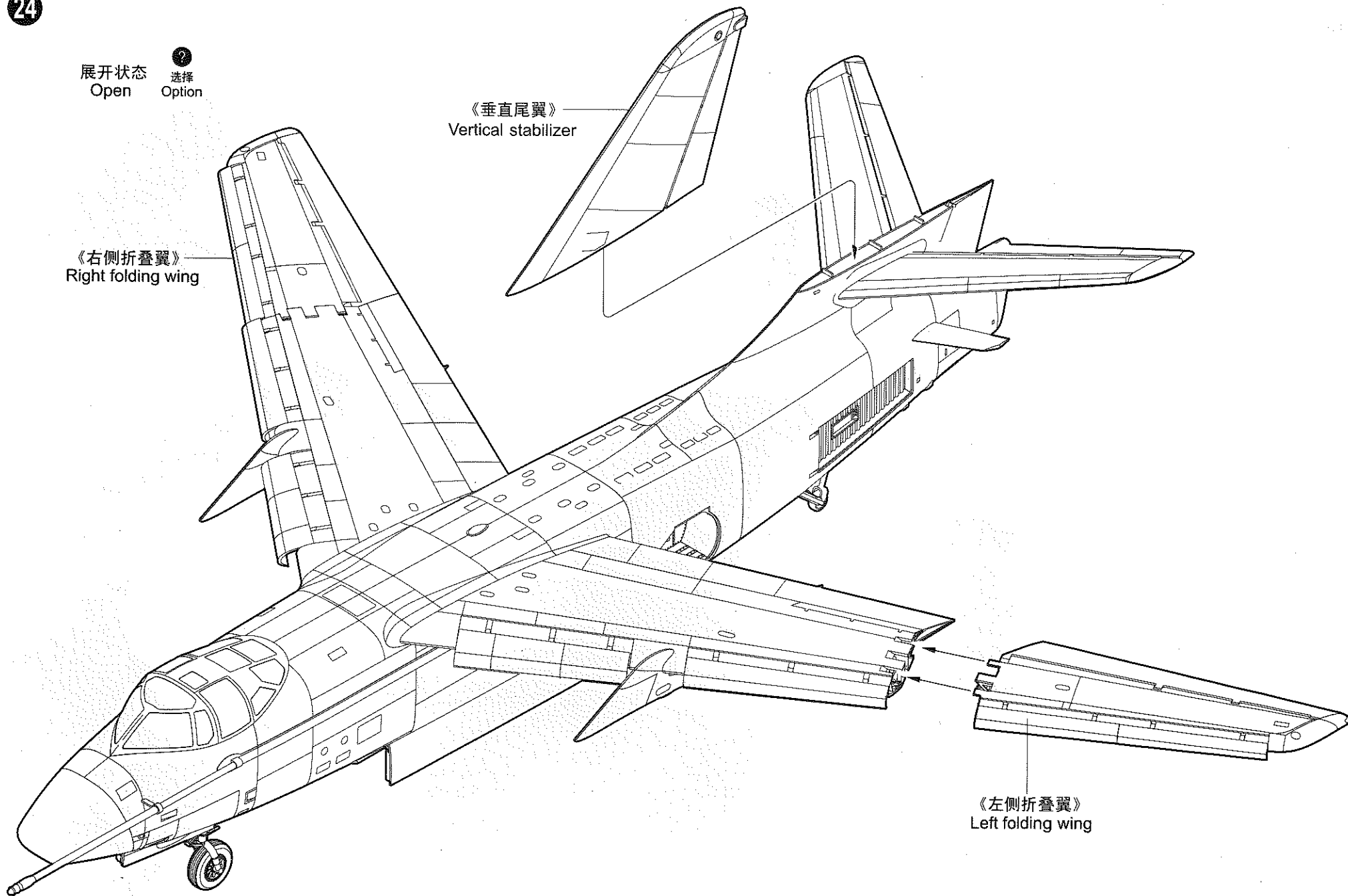
展开状态  
Open

●  
选择  
Option

《垂直尾翼》  
Vertical stabilizer

《右侧折叠翼》  
Right folding wing

《左侧折叠翼》  
Left folding wing



折叠状态  
Folding

选择  
Option

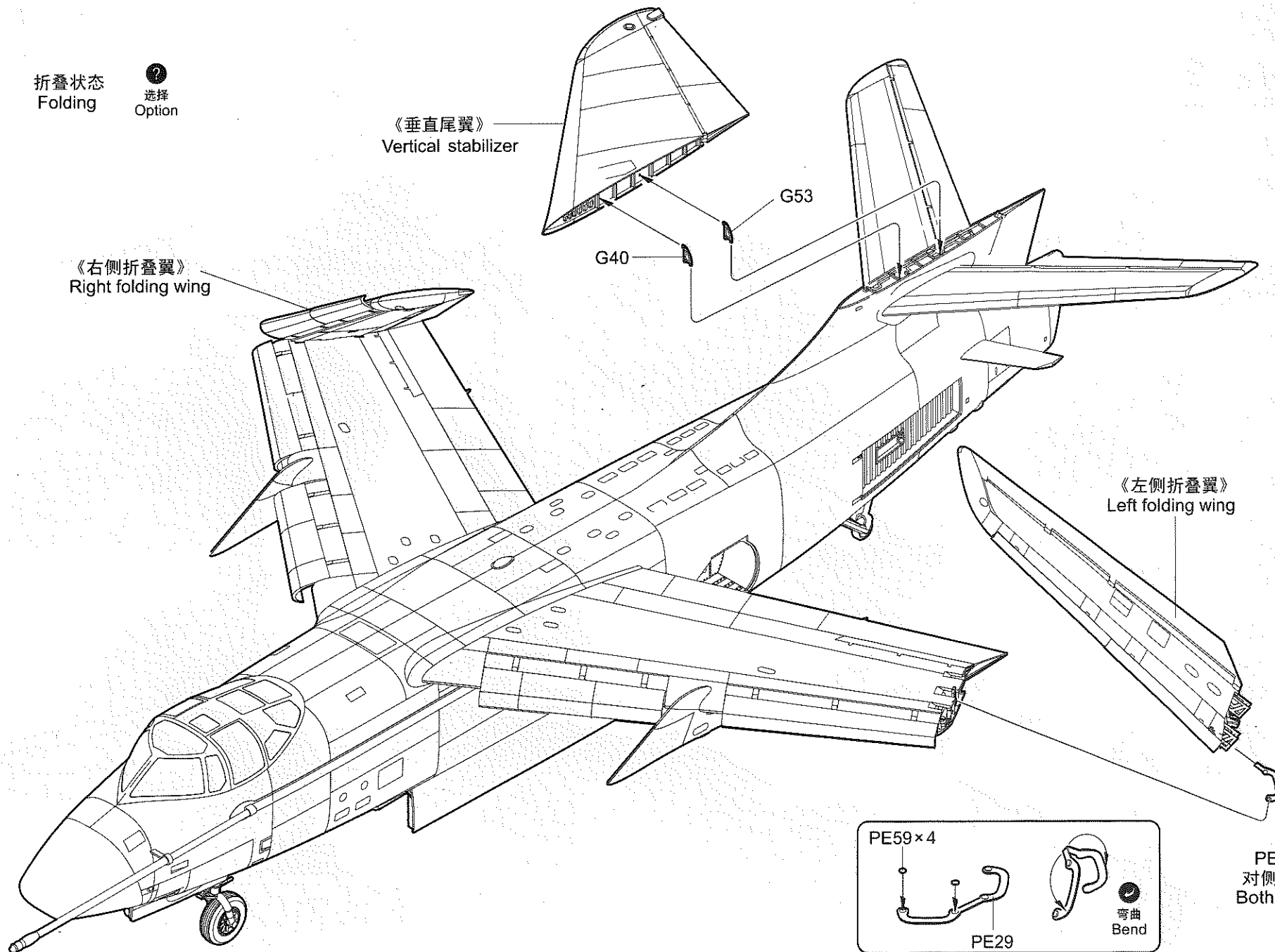
《垂直尾翼》  
Vertical stabilizer

G53

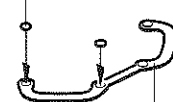
G40

《右侧折叠翼》  
Right folding wing

《左侧折叠翼》  
Left folding wing



PE59 x 4



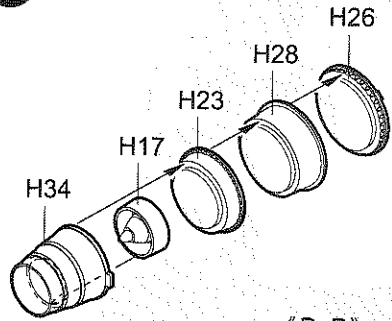
PE29



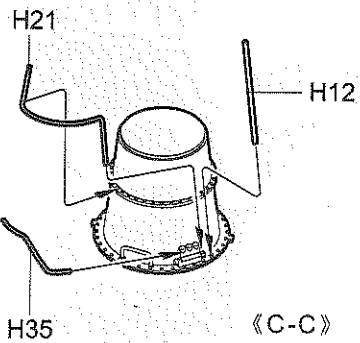
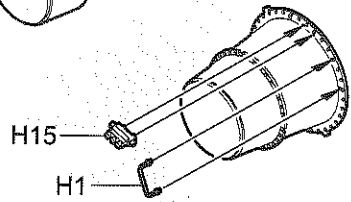
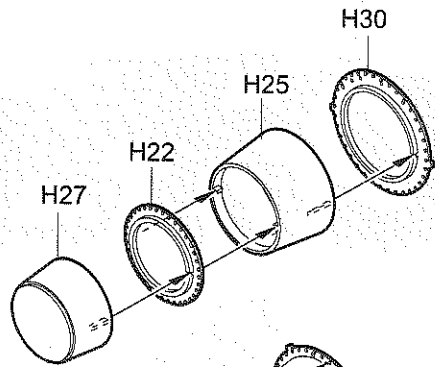
弯曲  
Bend

PE29  
对侧相同  
Both sides

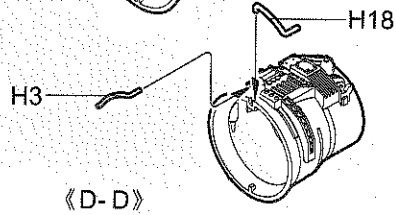
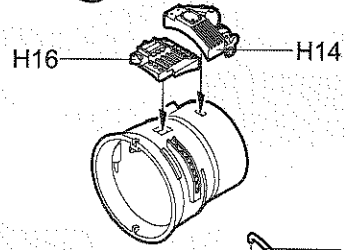
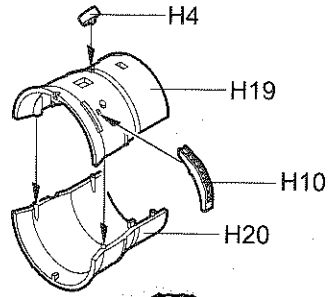
25



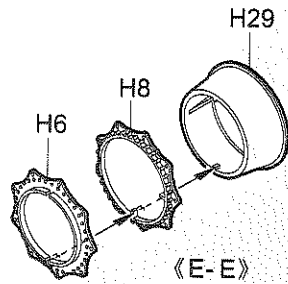
《B-B》



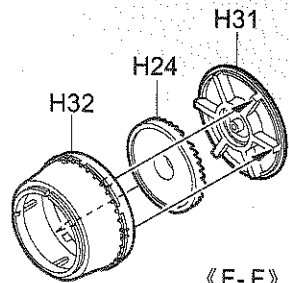
《C-C》



《D-D》



《E-E》

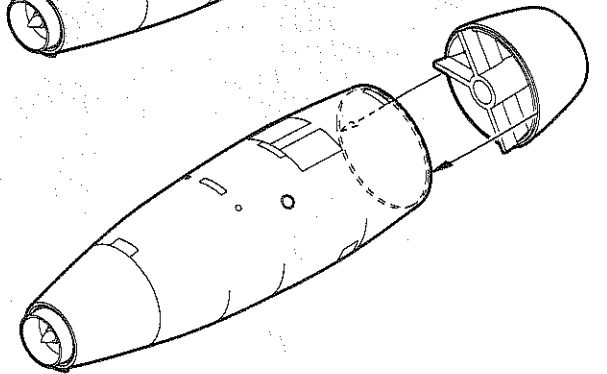
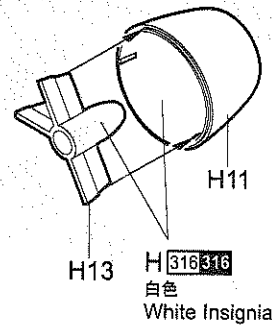
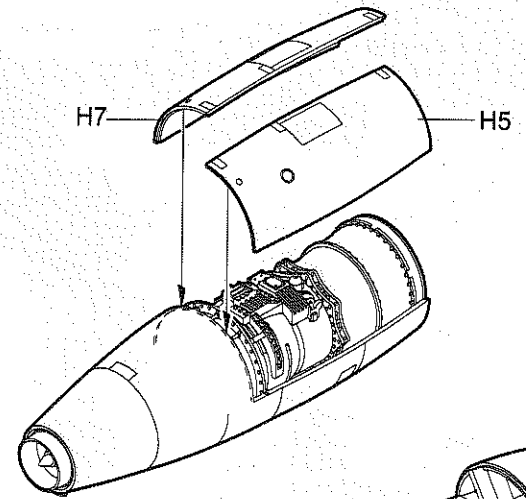
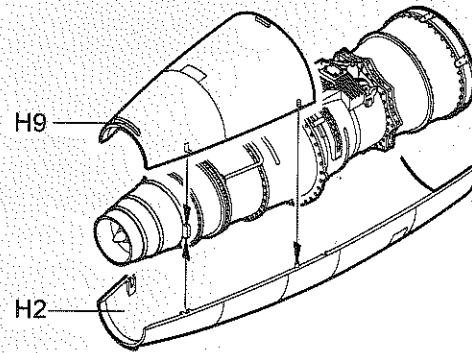
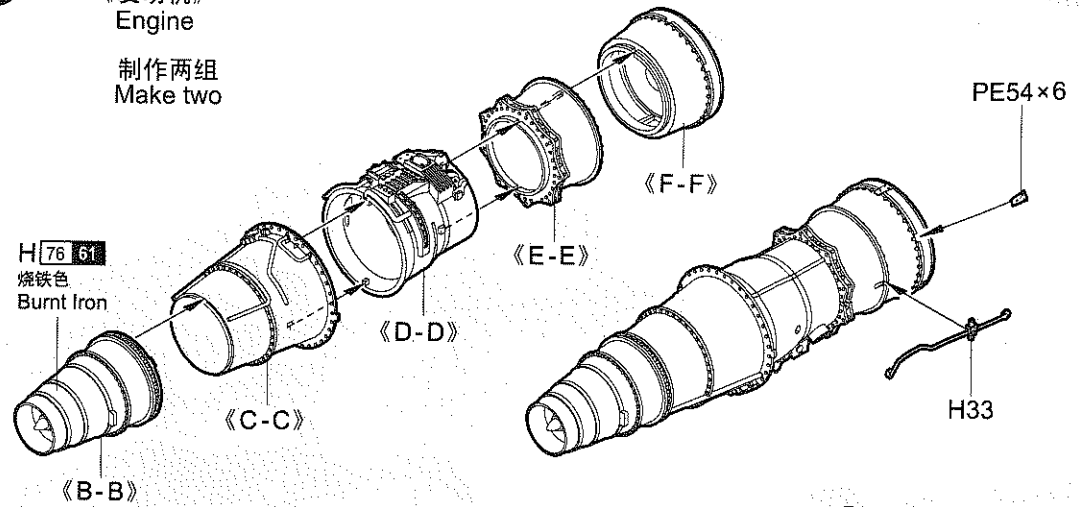


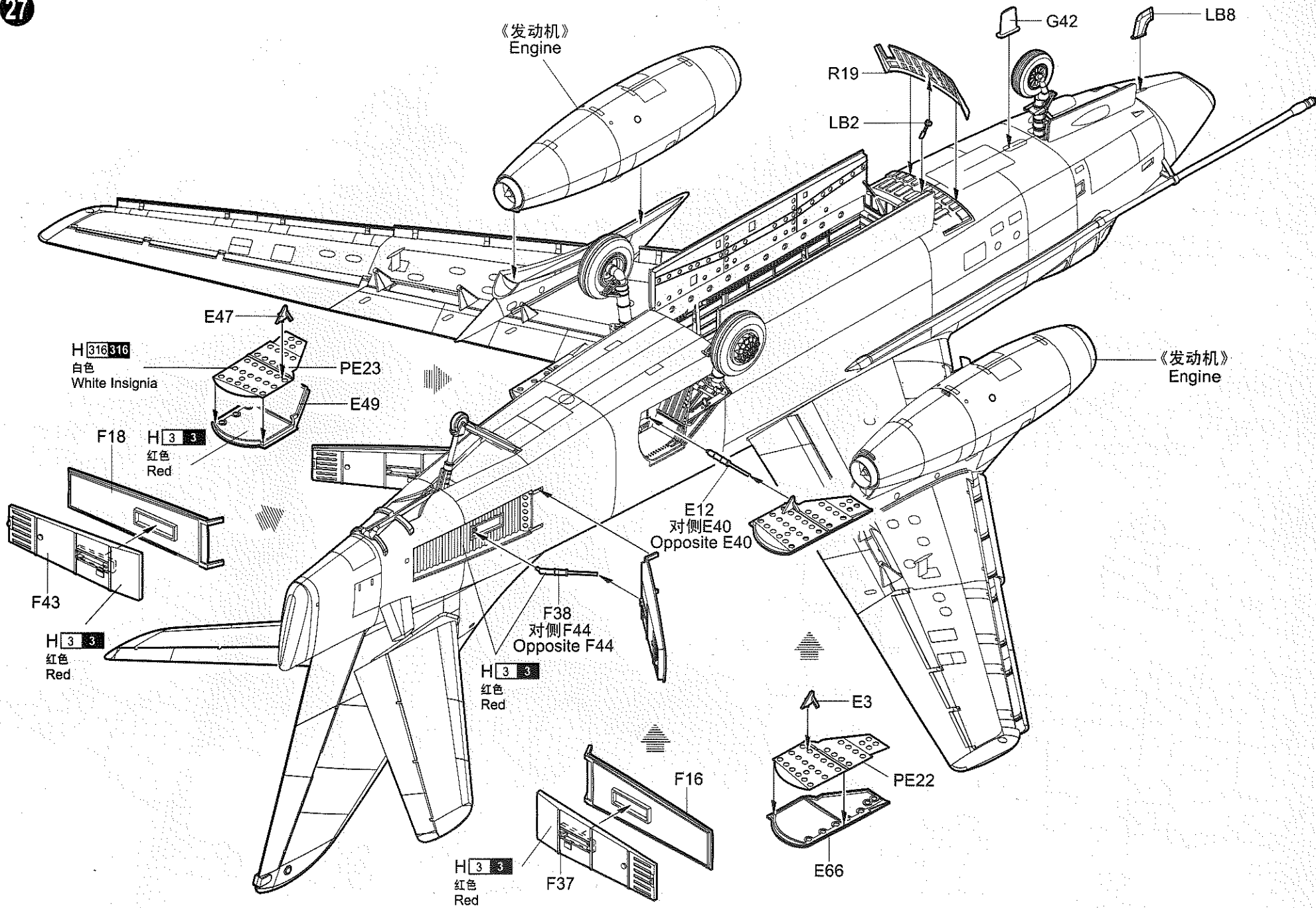
《F-F》

26

《发动机》  
Engine

制作两组  
Make two





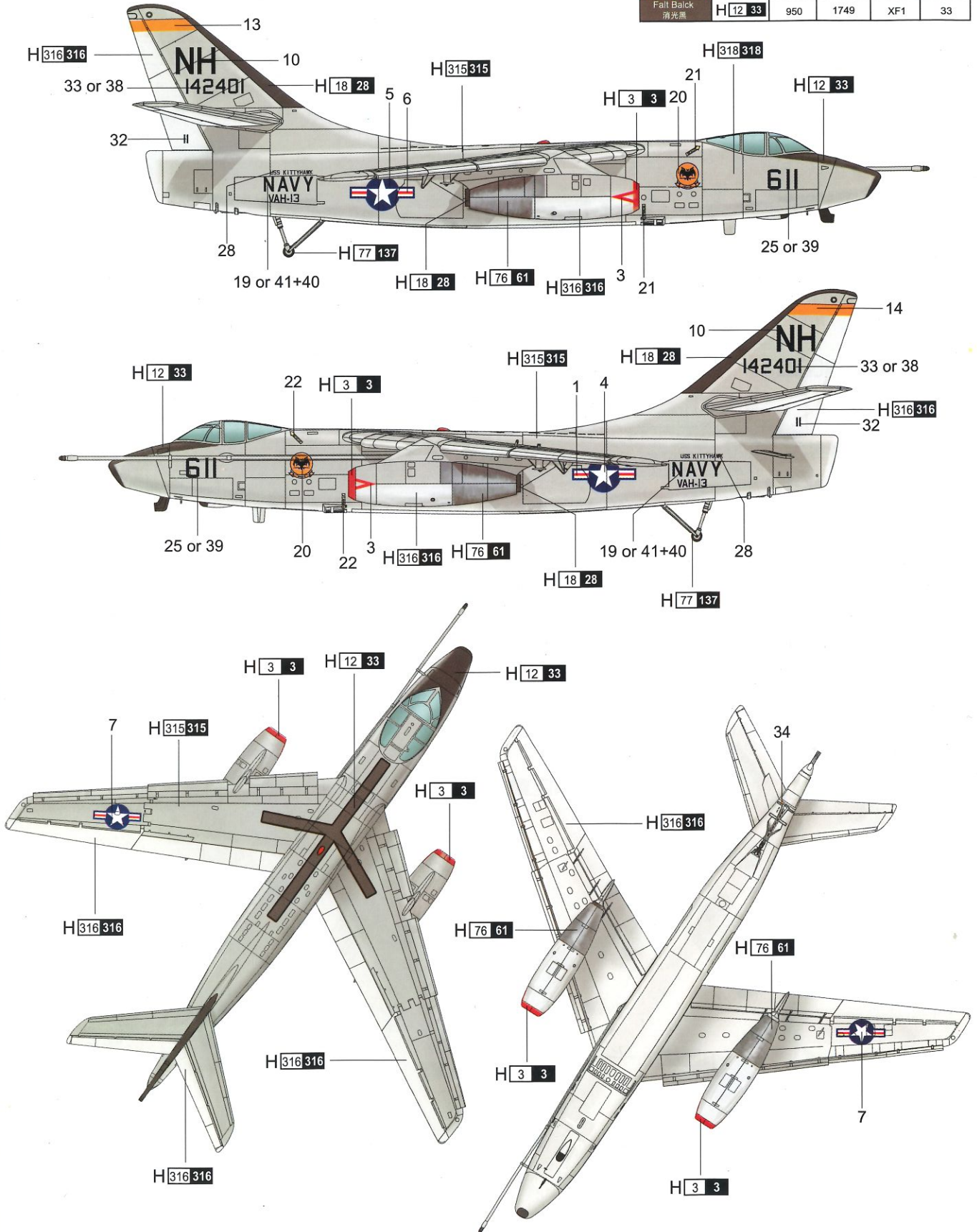
# 涂装同标贴指示

## Painting & Marking guide

**A** US Navy, VAH-13 'Bats', USS Kitty Hawk, A-3D-2, 611 NH (BuNo. 142401).

### PAINT REFERENCE COLOUR

Color	Mr.Hobby	Vallejo	Model Master	Tamiya	Humbrol
Tire Black 胎黑色	H 77 137	—	—	—	—
Metal Black 黑铁色	H 18 28	—	—	—	—
White Insignia 白色	H 316 316	991	1745	X2	22
Light Gull 灰色	H 315 315	843	1730	—	A43
Burnt Iron 烧铁色	H 76 61	863	1795	X10	53
Red 红色	H 3 3	908	1503	X7	A7
Falt Black 消光黑	H 12 33	950	1749	XF1	33



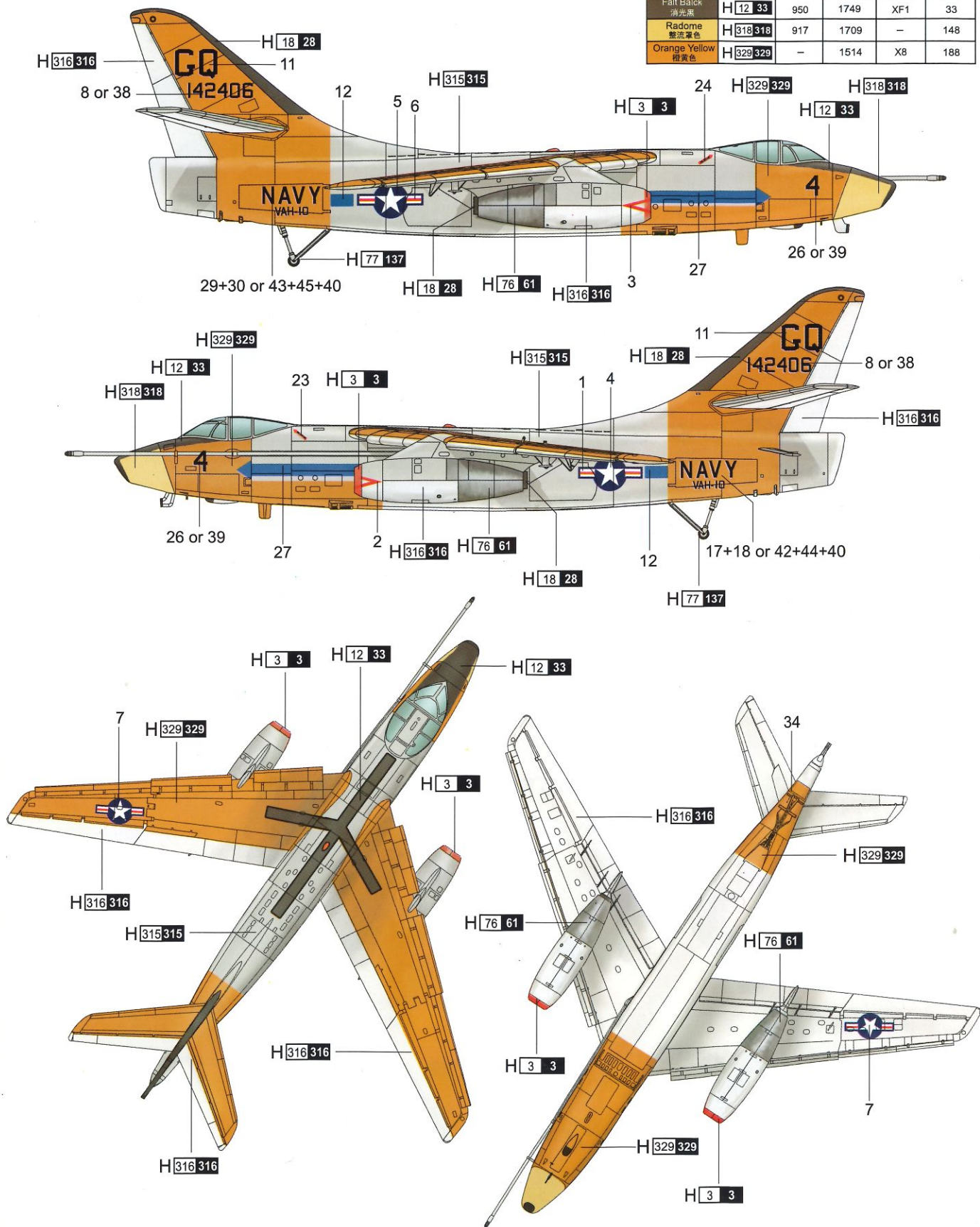
H  AQUEOUS HOBBY COLOR     Mr. COLOR

# 涂装同标贴指示 Painting & Marking guide

**B** US Navy, VAH-10 'Vikings', A-3D-2,4 GQ (BuNo.142406).

PAINT REFERENCE COLOUR

Color	Mr.Hobby	Vallejo	Model Master	Tamiya	Humbrol
Tire Black 胎黑色	H 77 137	-	-	-	-
Metal Black 黑铁色	H 18 28	-	-	-	-
White Insignia 白色	H 316 316	991	1745	X2	22
Light Gull 灰色	H 315 315	843	1730	-	A43
Burnt Iron 烧铁色	H 76 61	863	1795	X10	53
Red 红色	H 3 3	908	1503	X7	A7
Falt Black 消光黑	H 12 33	950	1749	XF1	33
Radome 整流罩色	H 318 318	917	1709	-	148
Orange Yellow 橙黄色	H 329 329	-	1514	X8	188



H  AQUEOUS HOBBY COLOR     Mr. COLOR