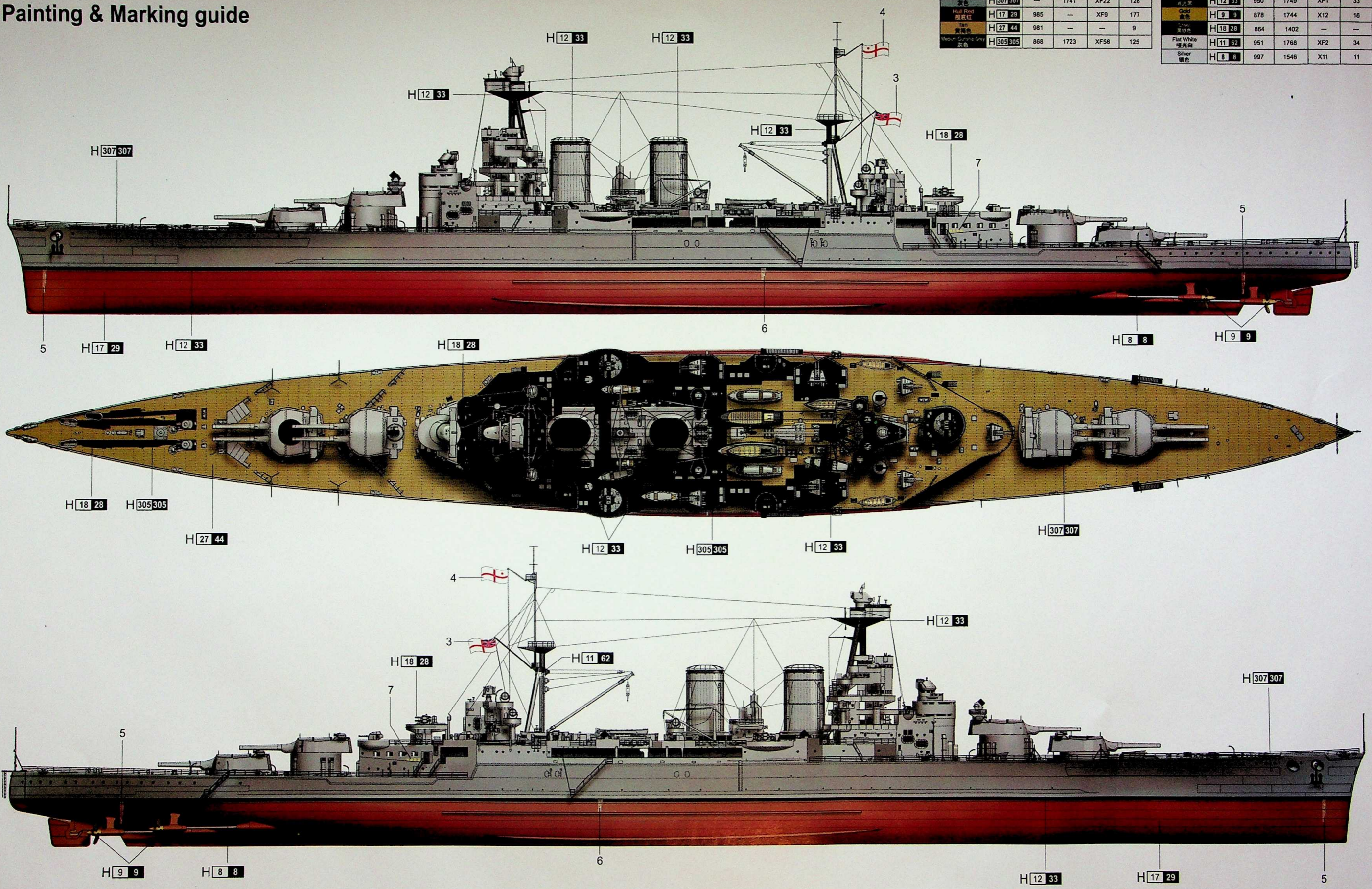


涂装同标贴指示

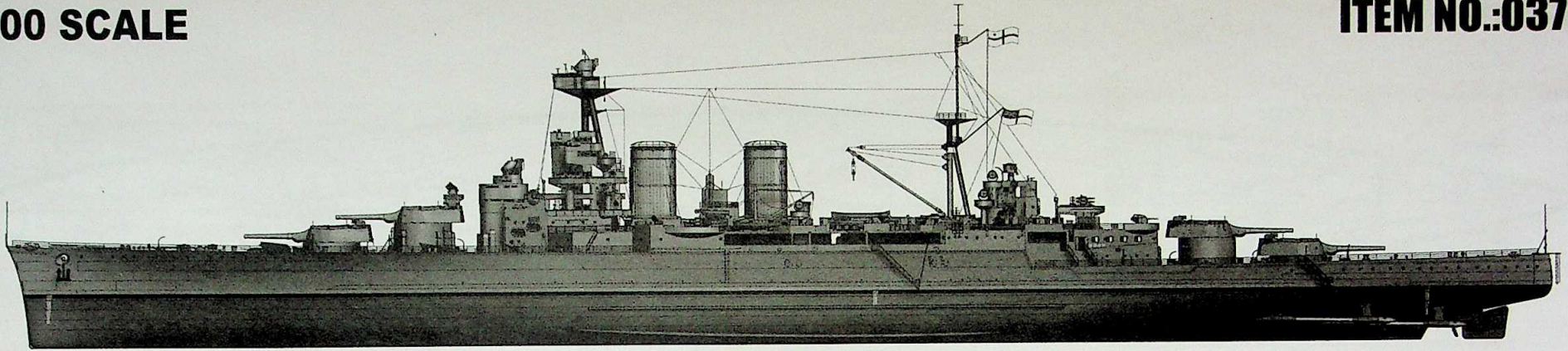
Painting & Marking guide

PAINT REFERENCE COLOUR					
Color	Mr.Hobby	Vallejo	Model Master	Tamiya	Humbrol
Dark Canvas/Ghost Grey 灰蓝色	H 307 307	—	1741	XF22	128
Hull Red 舰底红	H 17 29	985	—	XF9	177
Tan 土黄色	H 27 44	981	—	—	9
Medium Gunmetal Grey 灰蓝色	H 305 305	868	1723	XF58	125

PAINT REFERENCE COLOUR					
Color	Mr.Hobby	Vallejo	Model Master	Tamiya	Humbrol
Black 黑色	H 12 33	950	1749	XF1	33
Gold 金色	H 9 9	878	1744	X12	16
White 白色	H 18 28	864	1402	—	—
Flat White 哑光白	H 11 62	951	1768	XF2	34
Silver 银色	H 8 8	997	1546	X11	11



H AQUEOUS HOBBY COLOR Mr. COLOR



HMS Hood Battle Cruiser

英国皇家海军“胡德”号战列巡洋舰

READ BEFORE ASSEMBLY:

- This kit is not recommended for inexperienced modelers or for children under 14 years of age
- Study and understand these instructions thoroughly before beginning assembly
- When needed, remove photo-etch parts carefully using a modeling knife or photo etch sprue cutter, being careful not to damage or lose small parts.
- Take extra care in handling photo etch parts in order to avoid injury
- Apply instant cement sparingly to photo etch parts where instructed

- Tools recommended(not included in kit):Plastic and instant cements,sprue cutters,long nose pliers,modeling knife, small files, tweezers, pin vise & scissors. Soft cloth and sandpaper will also assist in construction
- Glue and paint are not included in the kit. Use plastic cement and hobby paints only. Color guide for purchasing paint is included in the kit.
- Keep out of reach of children. They must not be allowed to ingest small parts or handle plastic bags in any way.

装配之前仔细阅读

- 小心用模型锉刀锉平所有零件表面的注射浇口。
- 小心用刀片切下蚀刻片零件，不要遗失小零件。
- 用强力快干胶水粘合蚀刻片零件和金属轴。过量的快干胶水使用可能导致可动零件会粘住，小心涂胶。
- 取蚀刻片时应特别注意安全，防止利边划伤手指。
- 某些零件表面需贴水上贴纸，请选择在装配的同时进行。
- 推荐模型工具(自备)：胶水，水口剪刀，长咀钳，刀片，锉刀，镊子钳，钻，剪刀，瞬间快干胶。
- 软布同砂纸同时也应该是必备工具。
- 请使用塑料胶水和油漆，模型内不含。
- 谨防小孩吸吮塑料零件，或者将塑料袋套在头上，制作时应将套材远离小孩接触。
- 本产品不适合14岁以下没有经验的模型爱好者。

水贴纸的使用:

1. 从水贴纸上剪下印花;
2. 将印花放入温水中浸10秒, 然后放在干净布上。
3. 拿着印花纸板将印花移到模型上;
4. 手指蘸水将印花移到适当的位置;
5. 用软布轻压印花直至水干, 气泡消失。

DECAL APPLICATION:

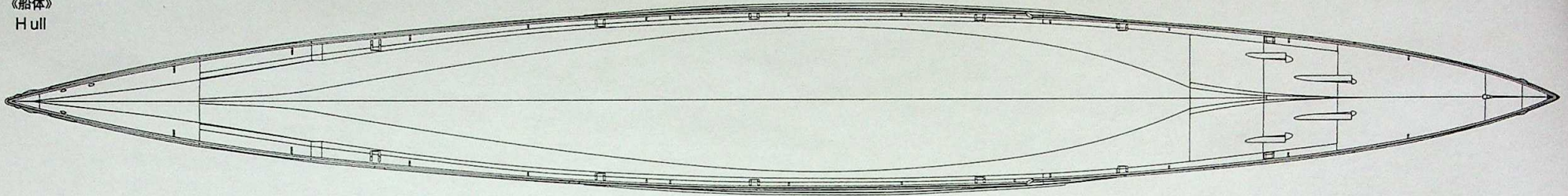
1. Cut decals from sheet as needed
2. Dip the decal in warm water for about 10 seconds and then place on soft clean cloth.
3. Hold the decal backing sheet edge and gently slide the decal onto the model in its proper position.

4. While still wet,decal can be adjusted for better fit on model by dampening it gently with your finger.
5. When placed in the proper position,gently press decal down with a soft cloth until excess water and air bubbles are gone.
6. Allow decal to dry completely before handling model

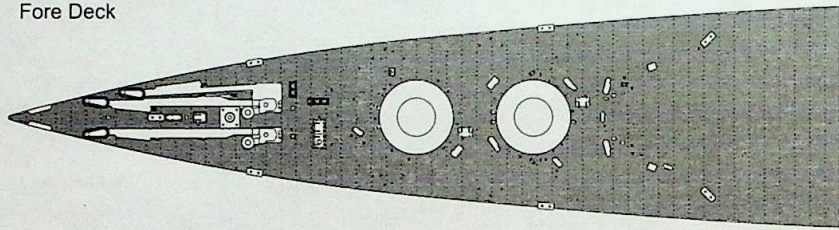
			
使用强力胶 Cyanoacrylate glue	配重 Weight	钻孔 Make hole	切除 Cut / Remove
			
贴纸 Decal	锉平 File / Sand	选择 Option	不涂胶水 No cement
			
			弯曲 Bend

部品图 Parts

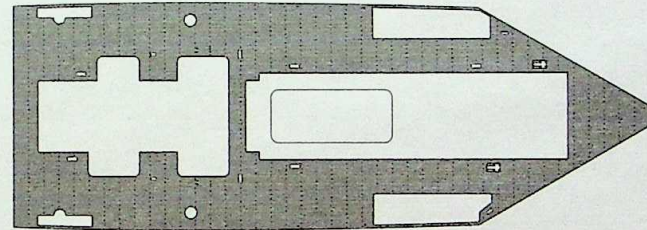
《船体》
Hull



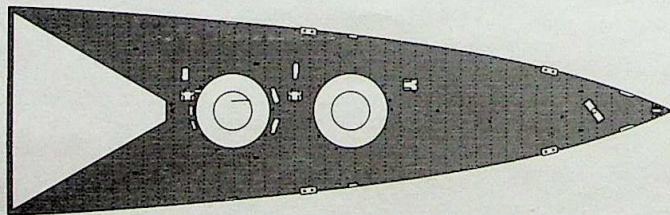
《前甲板》
Fore Deck



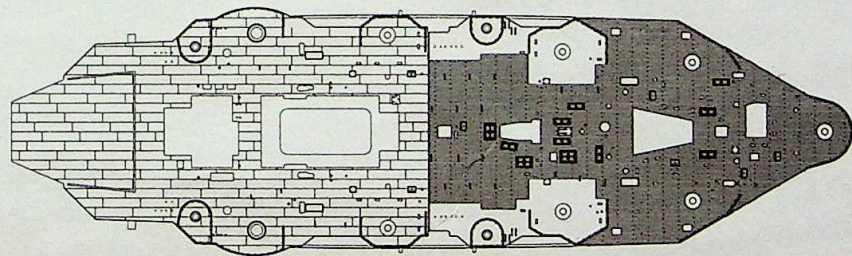
《中甲板》
Center Deck

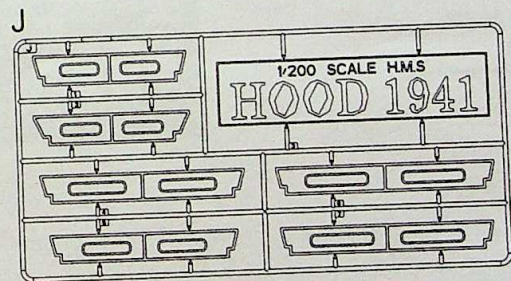
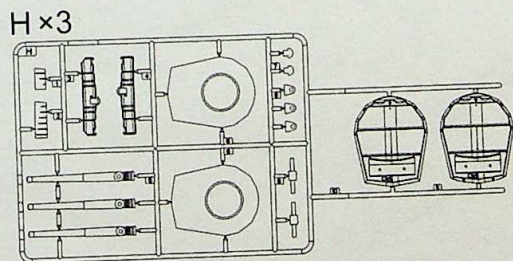
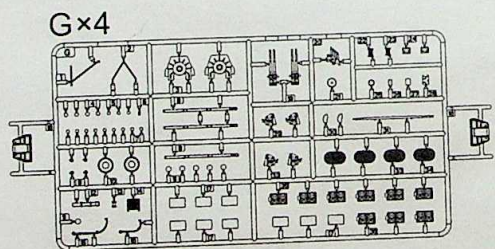
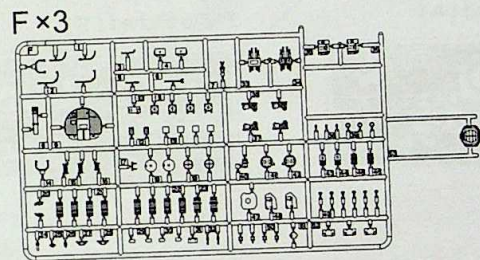
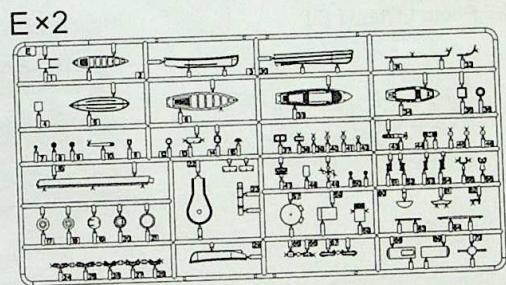
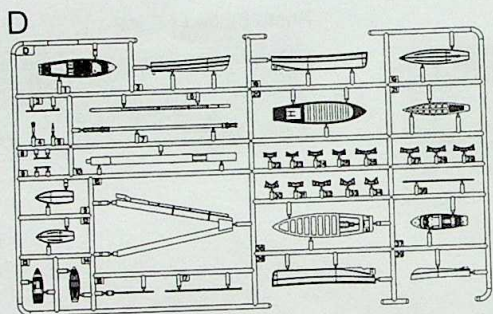
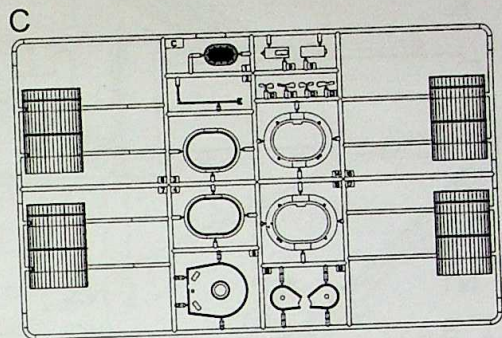
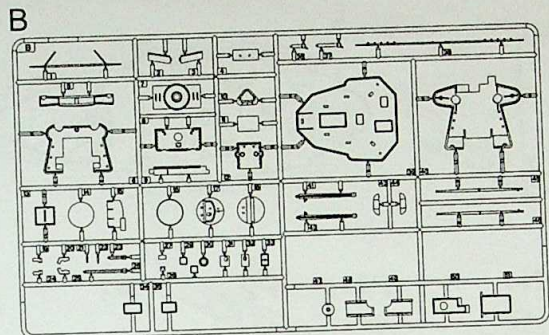
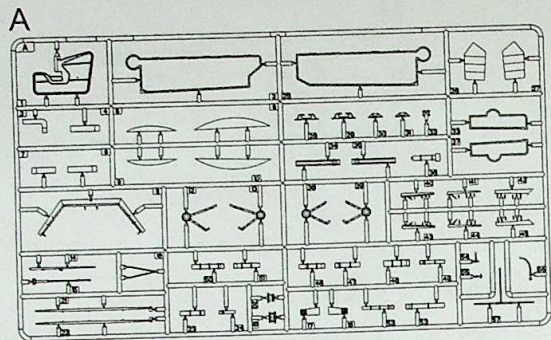


《后甲板》
Rear Deck

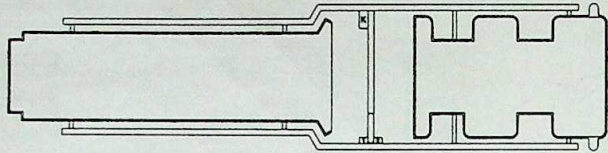


《上层甲板》
Up Deck

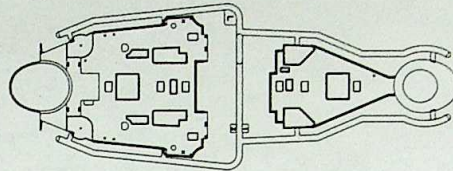




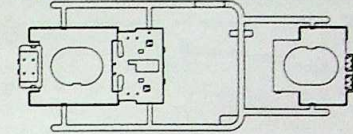
K



L



M



N1



N2



N3



N4



P1



P2



P3



P4



R×2



L×2



Photo Etched (A)

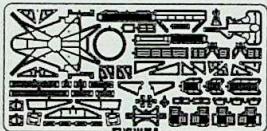


Photo Etched (B)

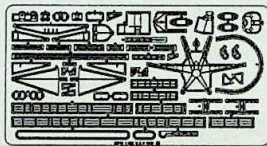


Photo Etched (C)

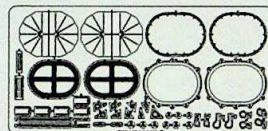


Photo Etched (D)×2

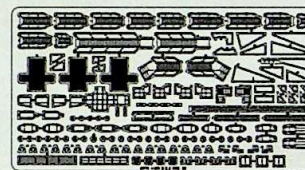
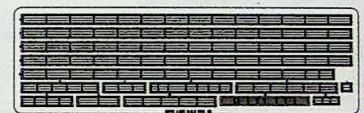


Photo Etched (E)×2



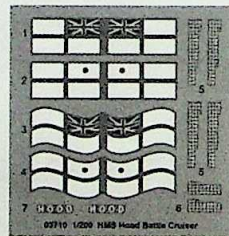
《螺旋桨轴》 Ø2.5 ×100×4
Propeller shaft



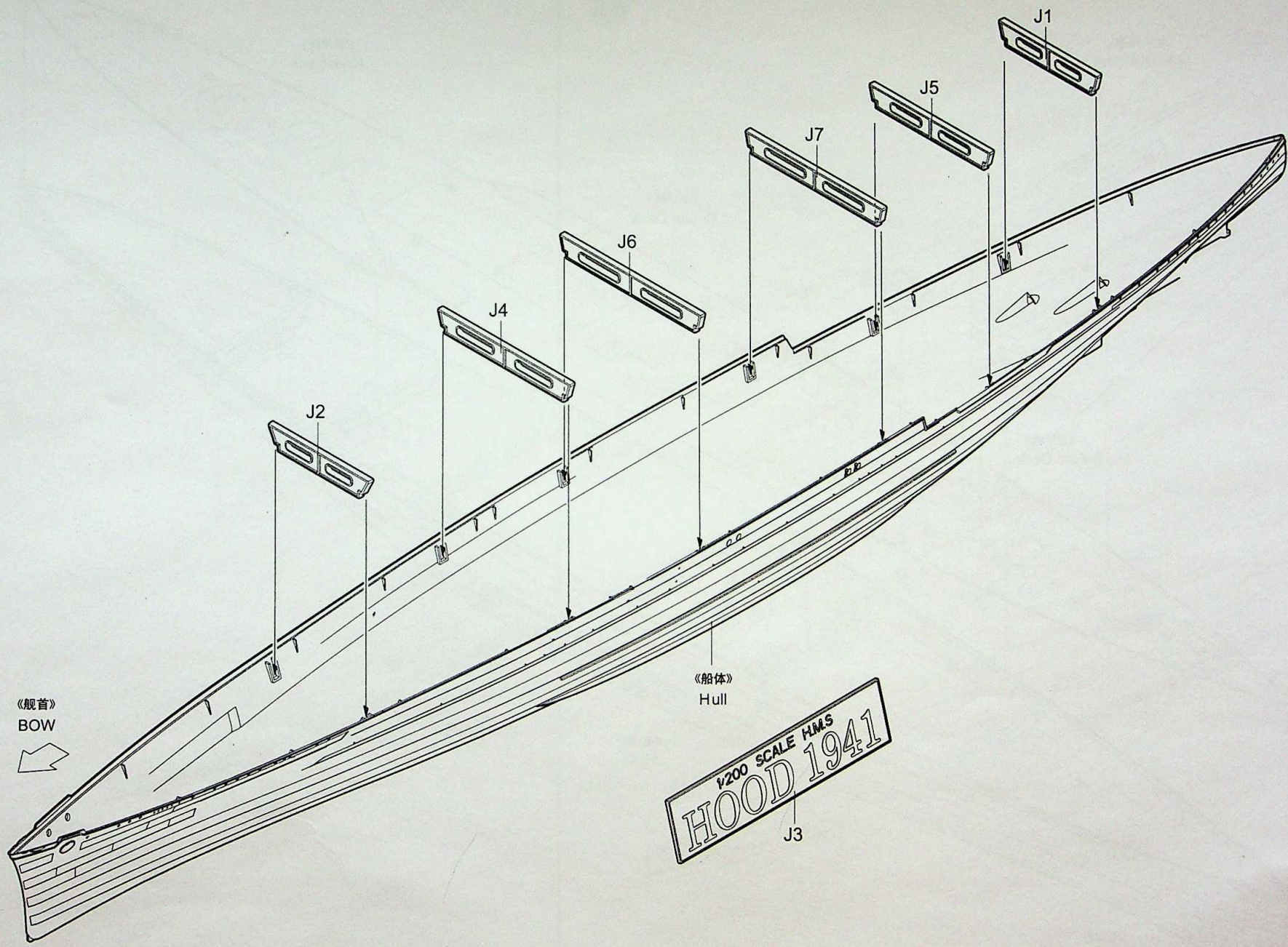
《锚链》长:400
Chain



《水贴》
Decal



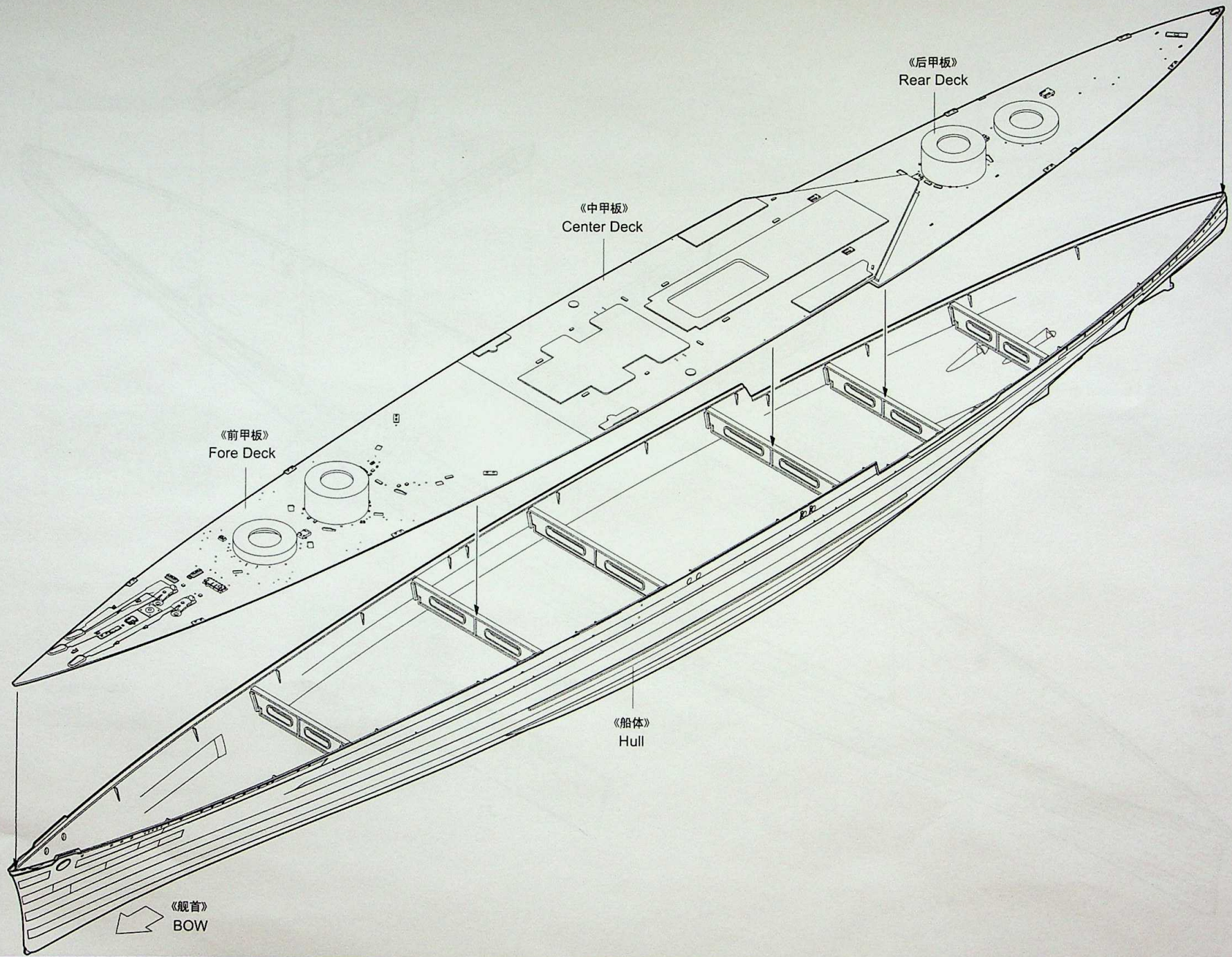
1



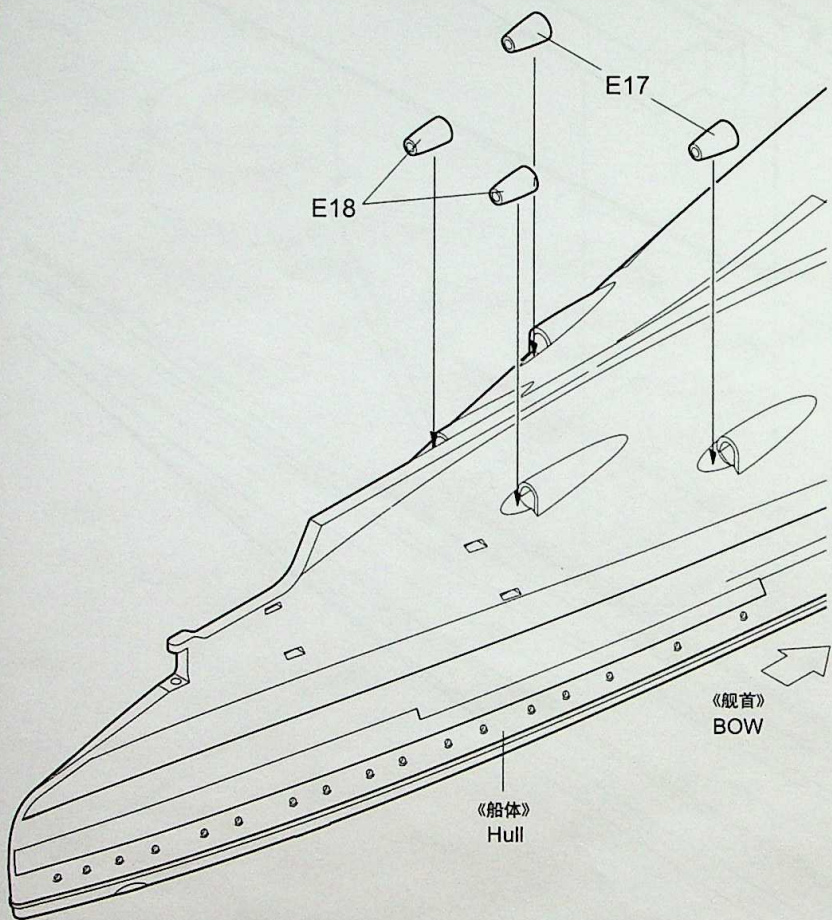
「舰首」
BOW
→

「舰体」
Hull

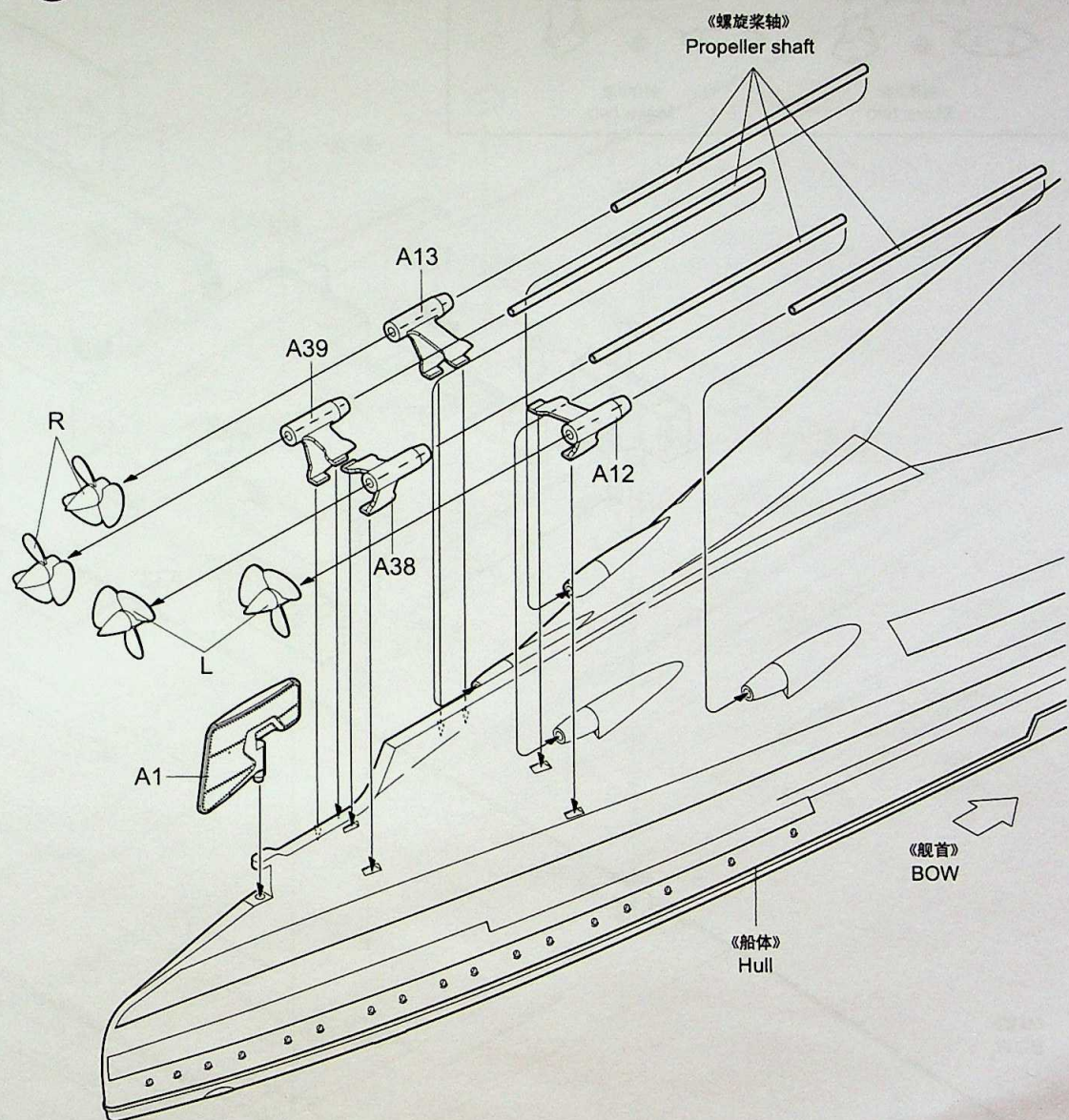
1/200 SCALE HMS
HOOD 1941

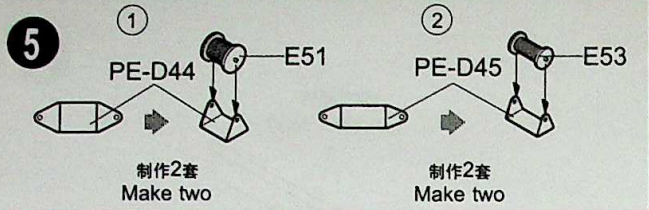


3

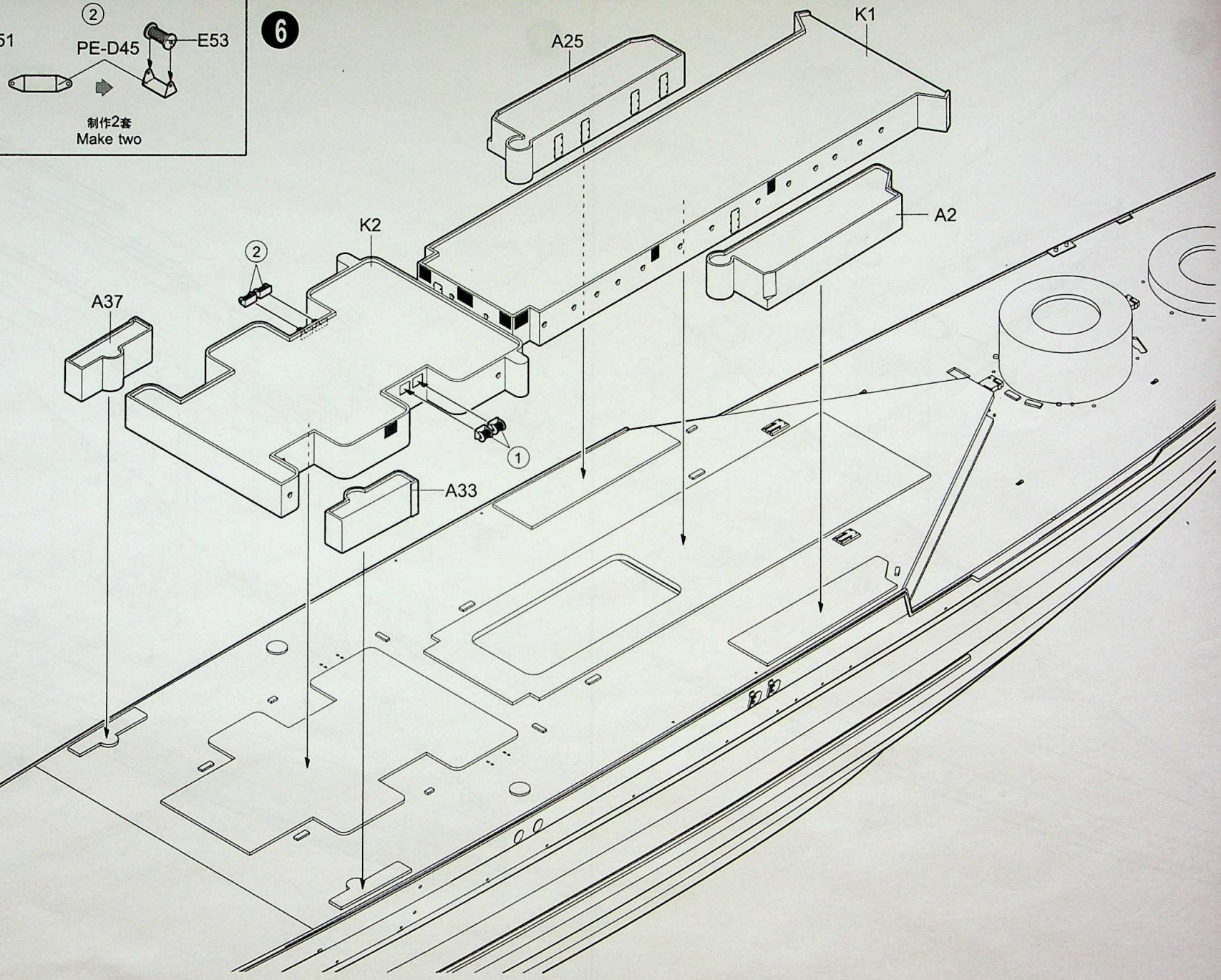


4





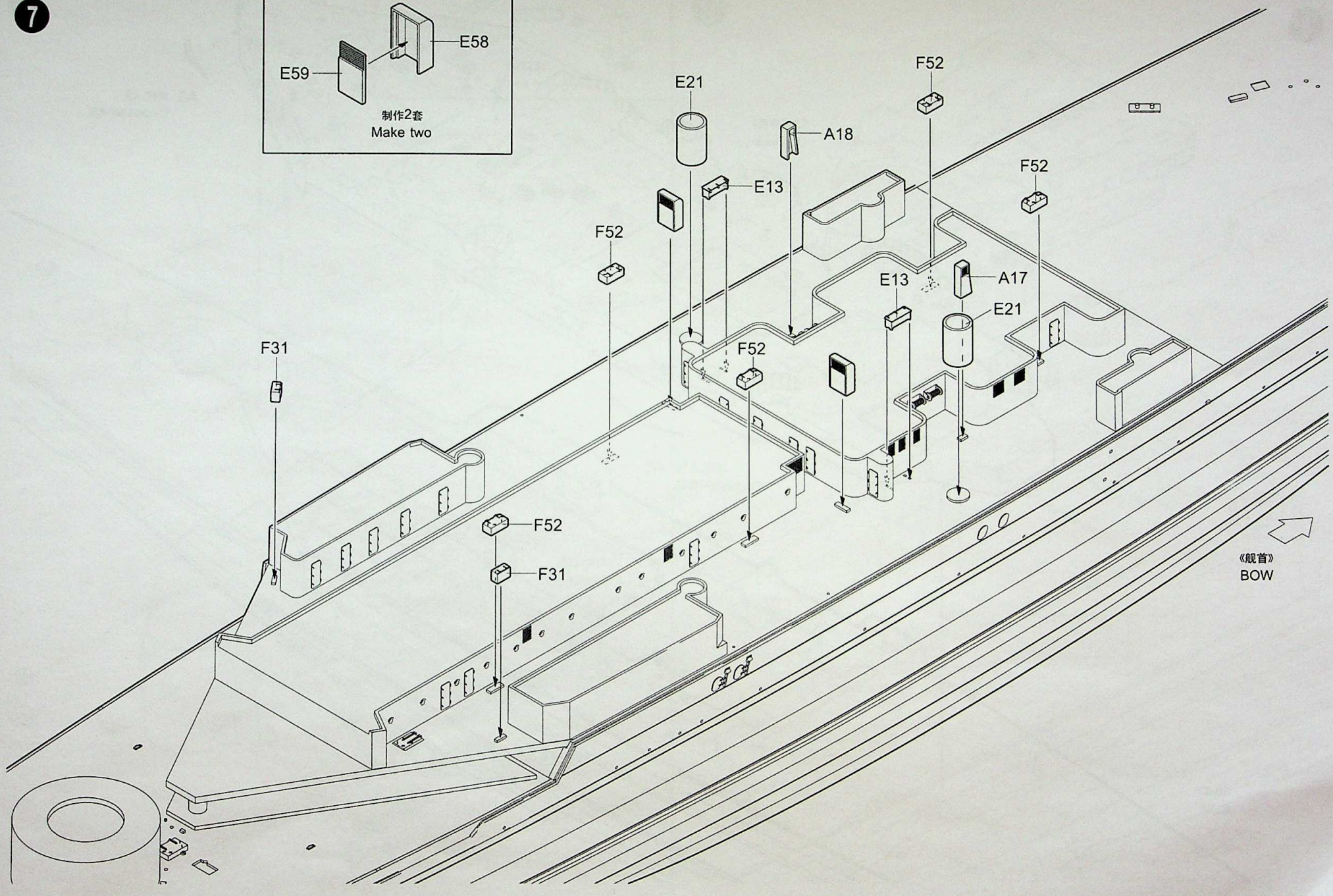
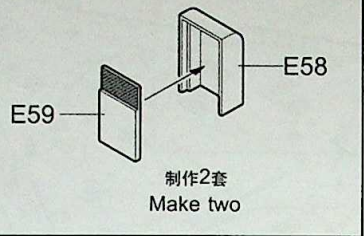
6

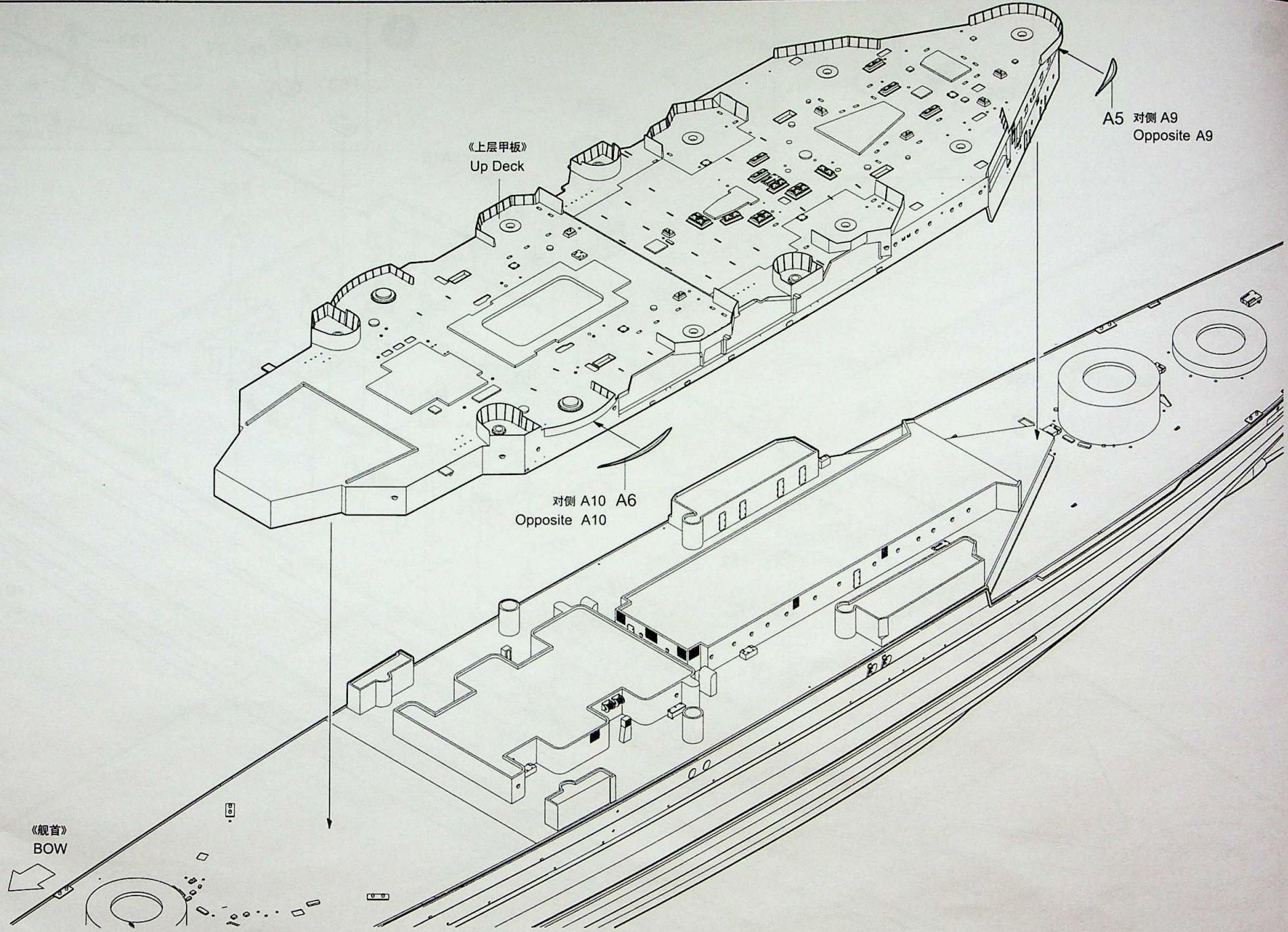


《舰首》
BOW

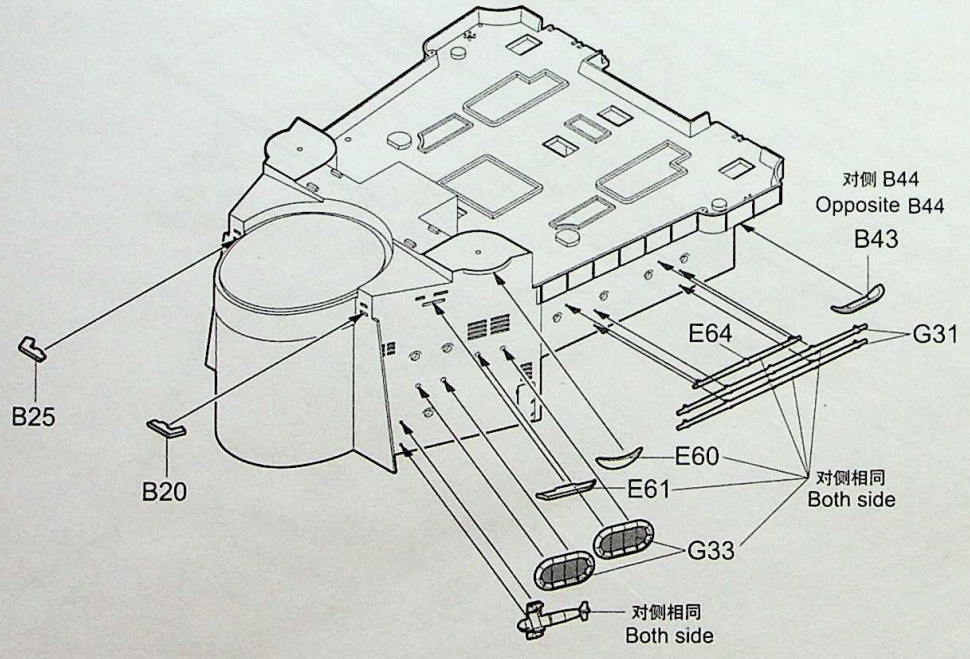
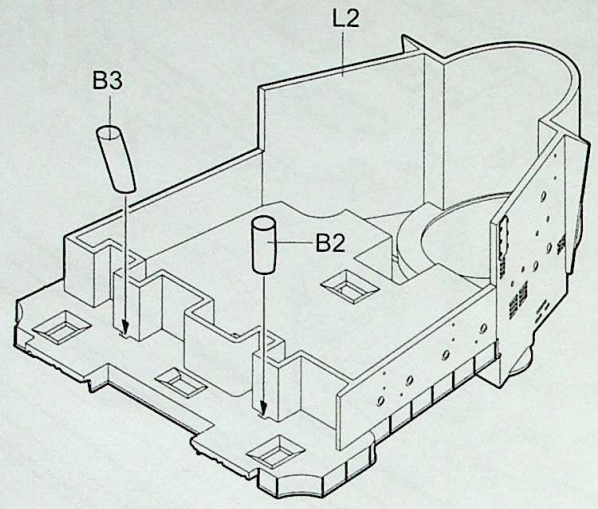
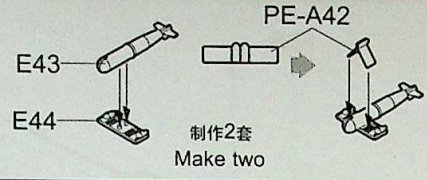


7

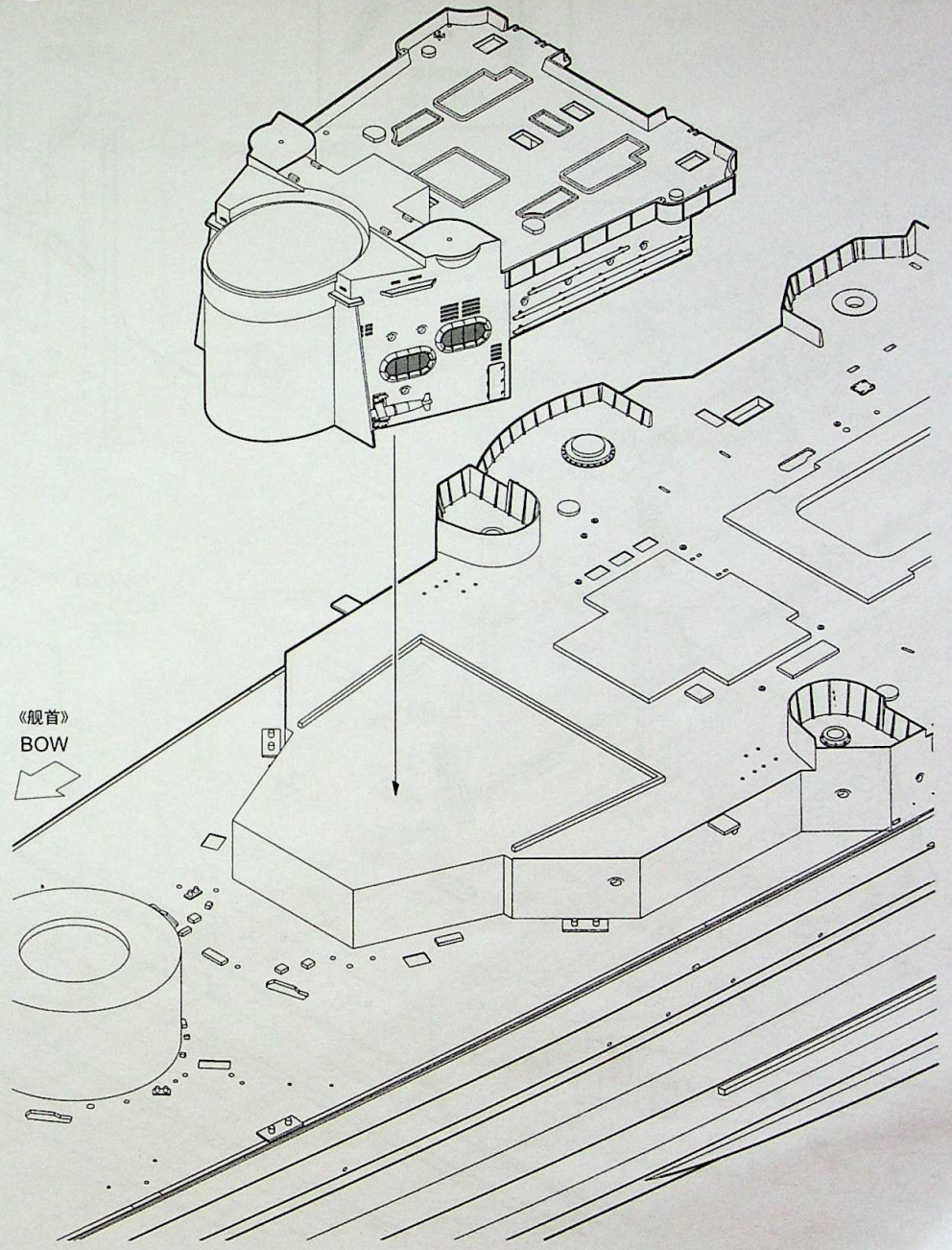


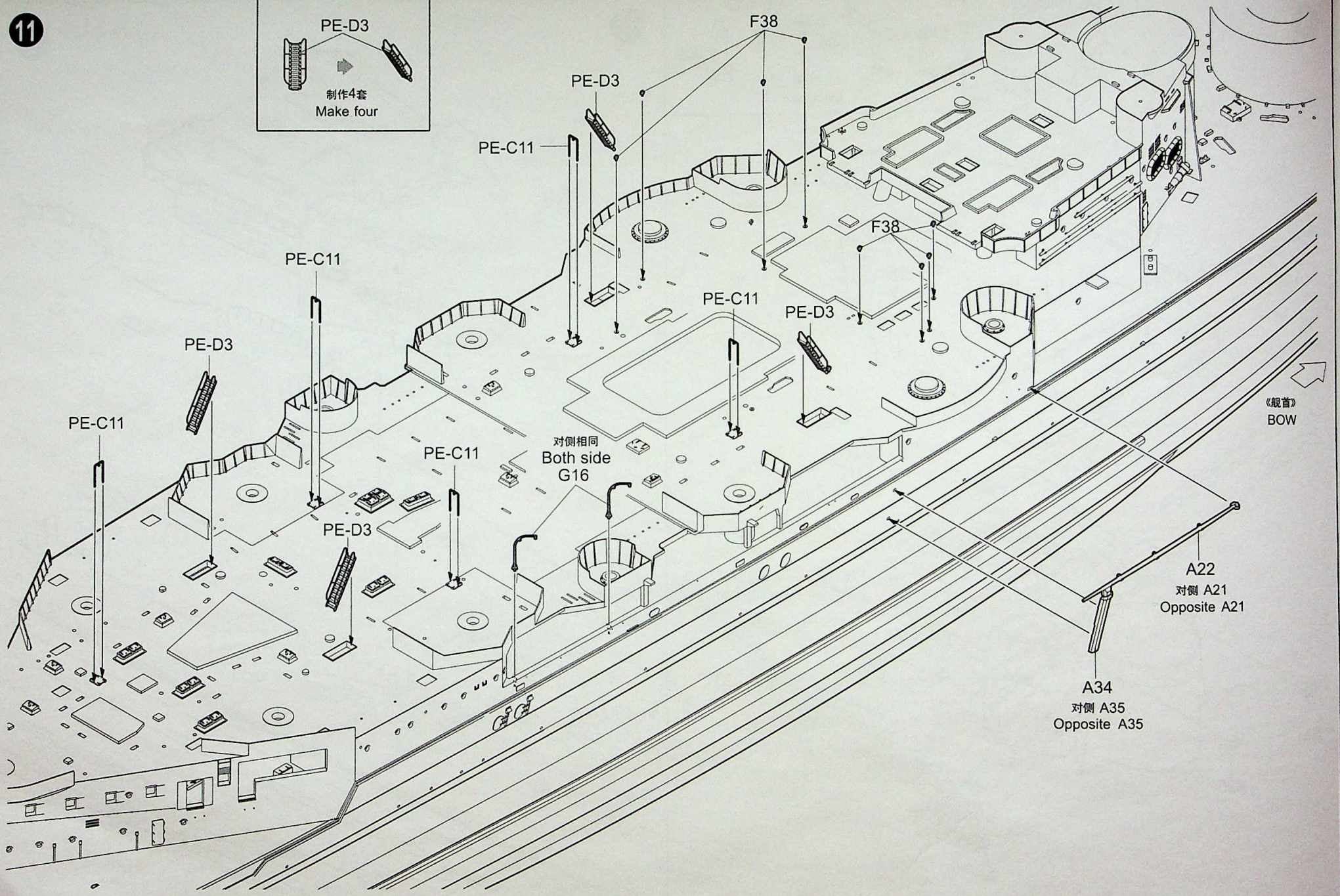
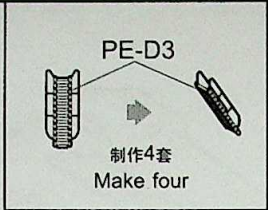


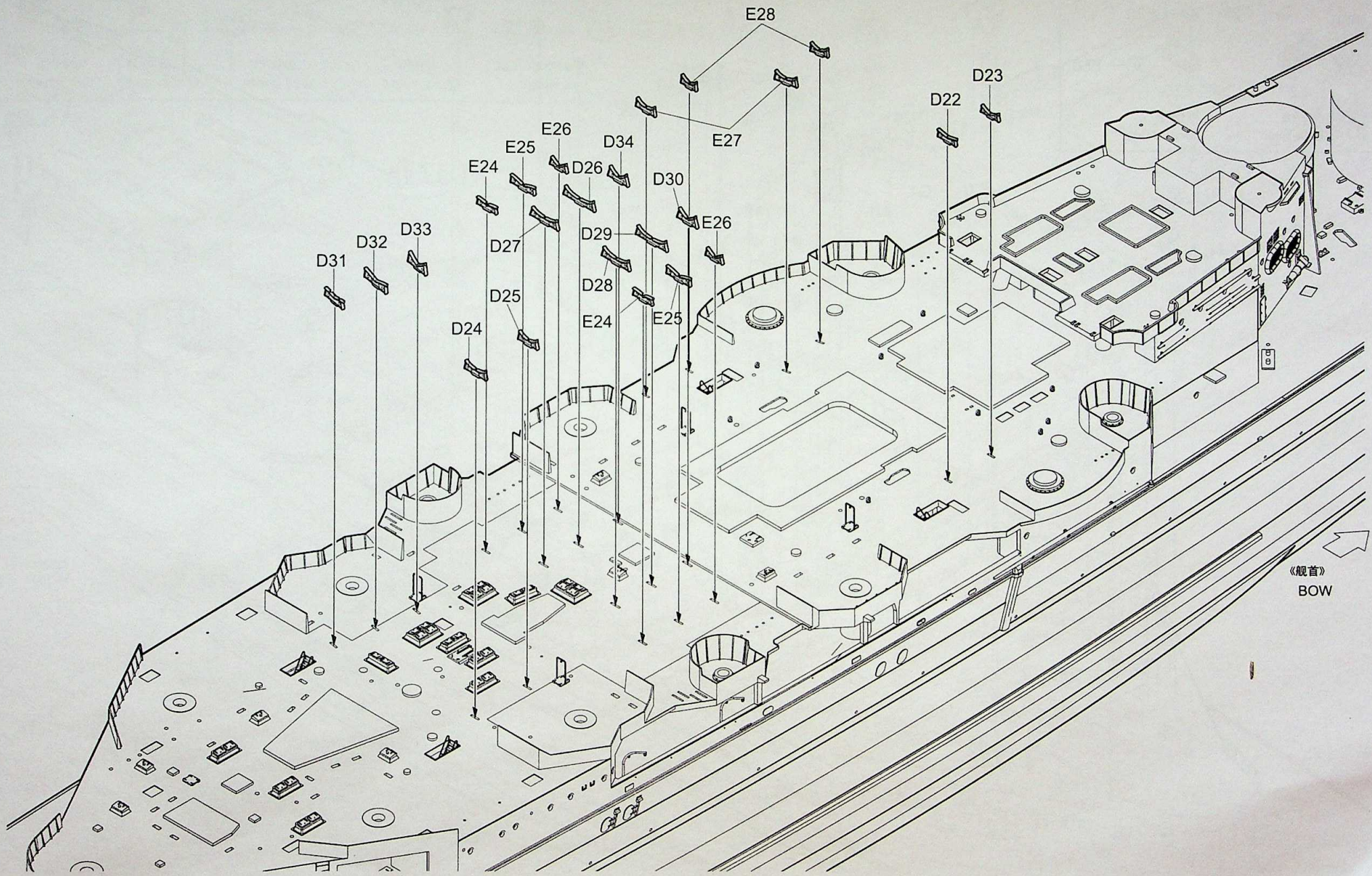
9



10





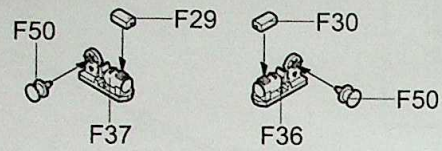


«舰首»
BOW

13

3

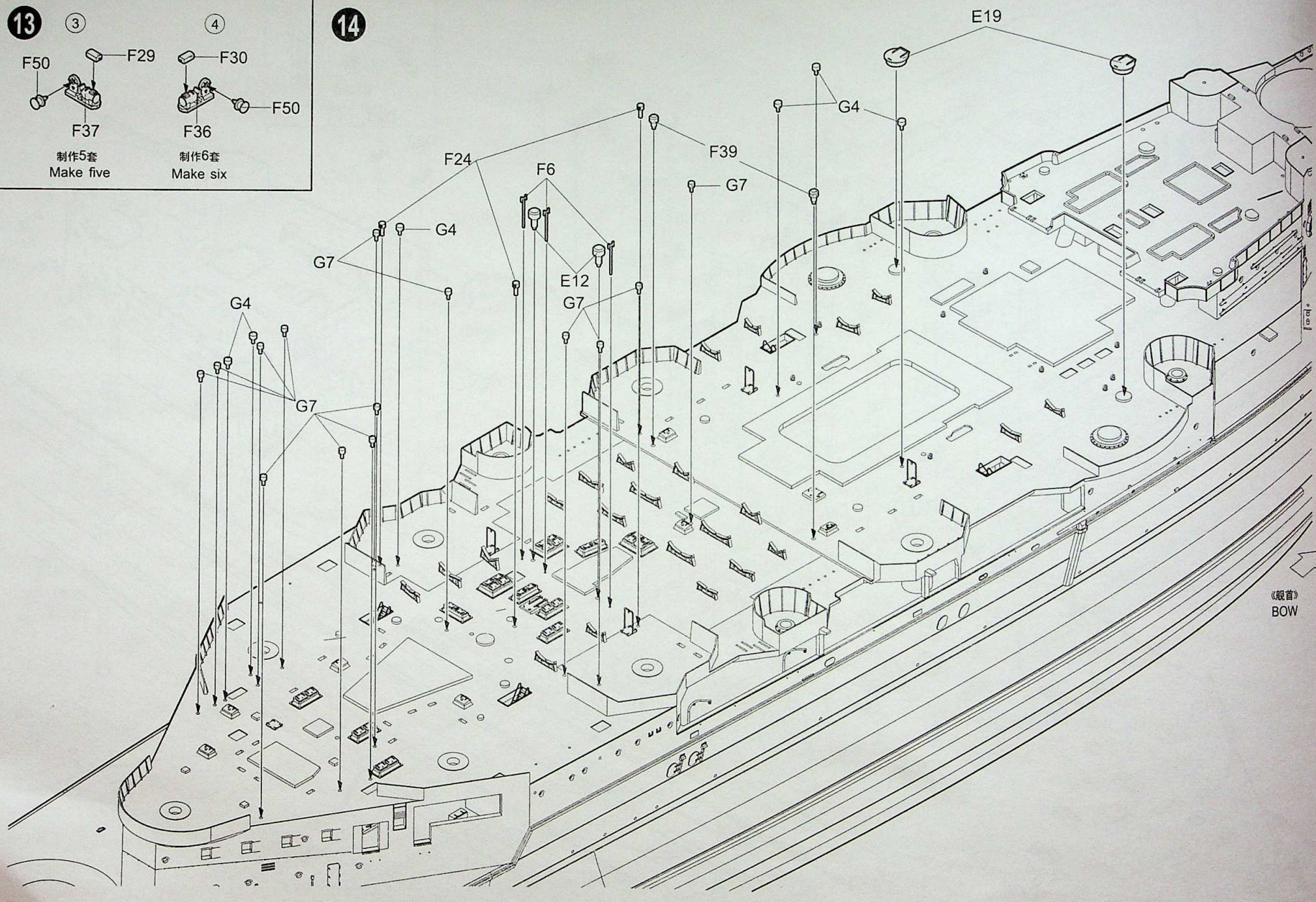
4



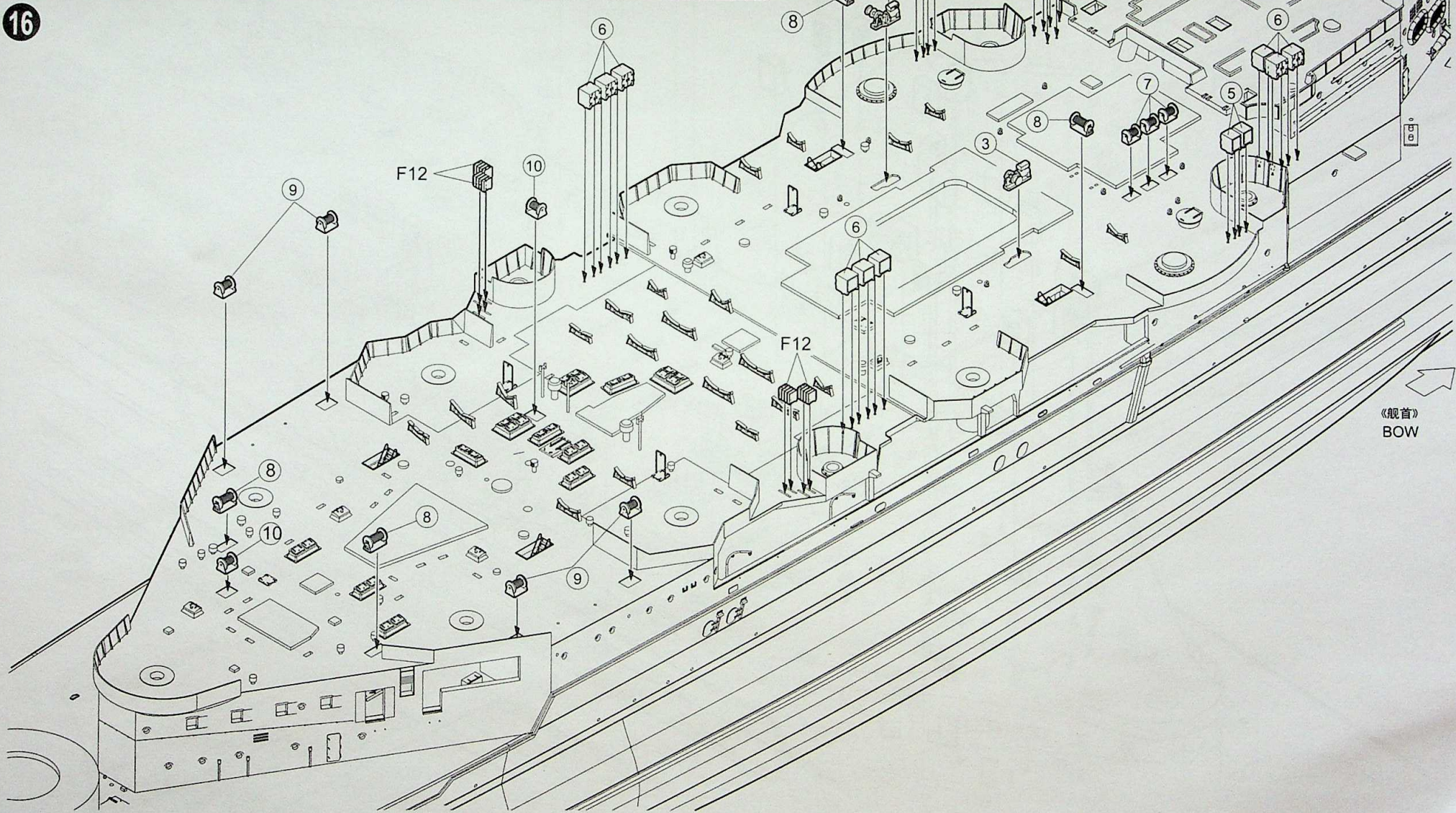
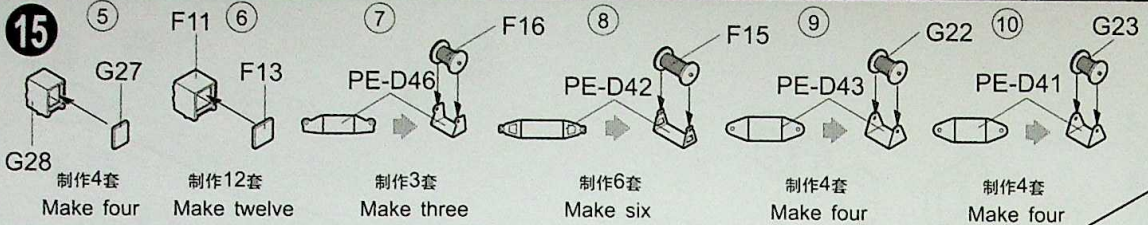
制作5套
Make five

制作6套
Make six

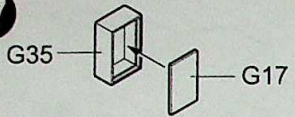
14



《艏首》
BOW

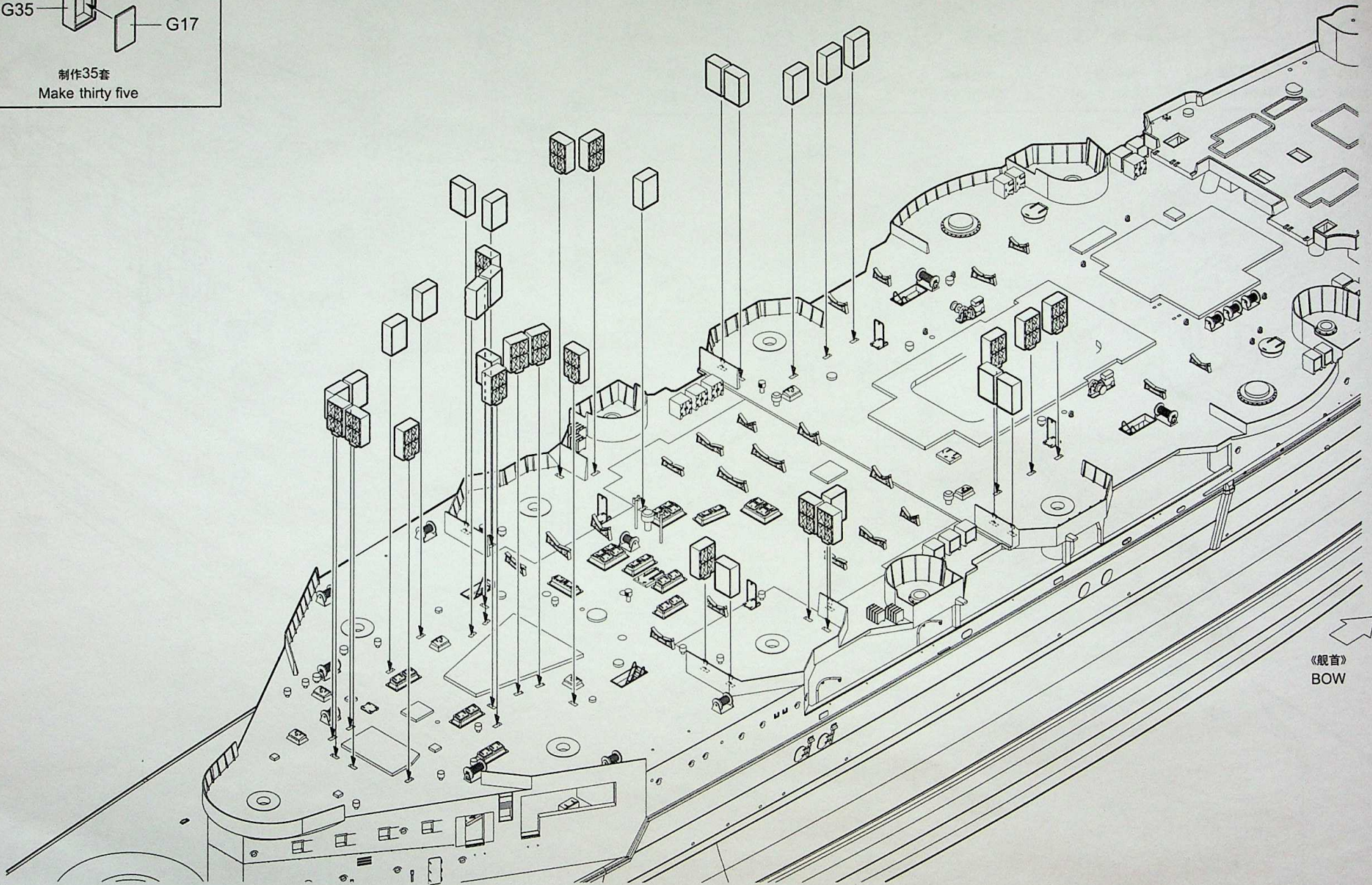


17



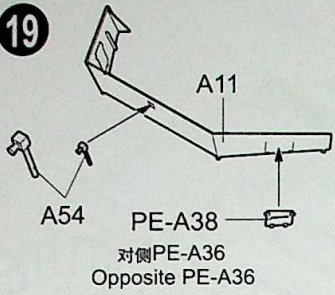
制作35套
Make thirty five

18

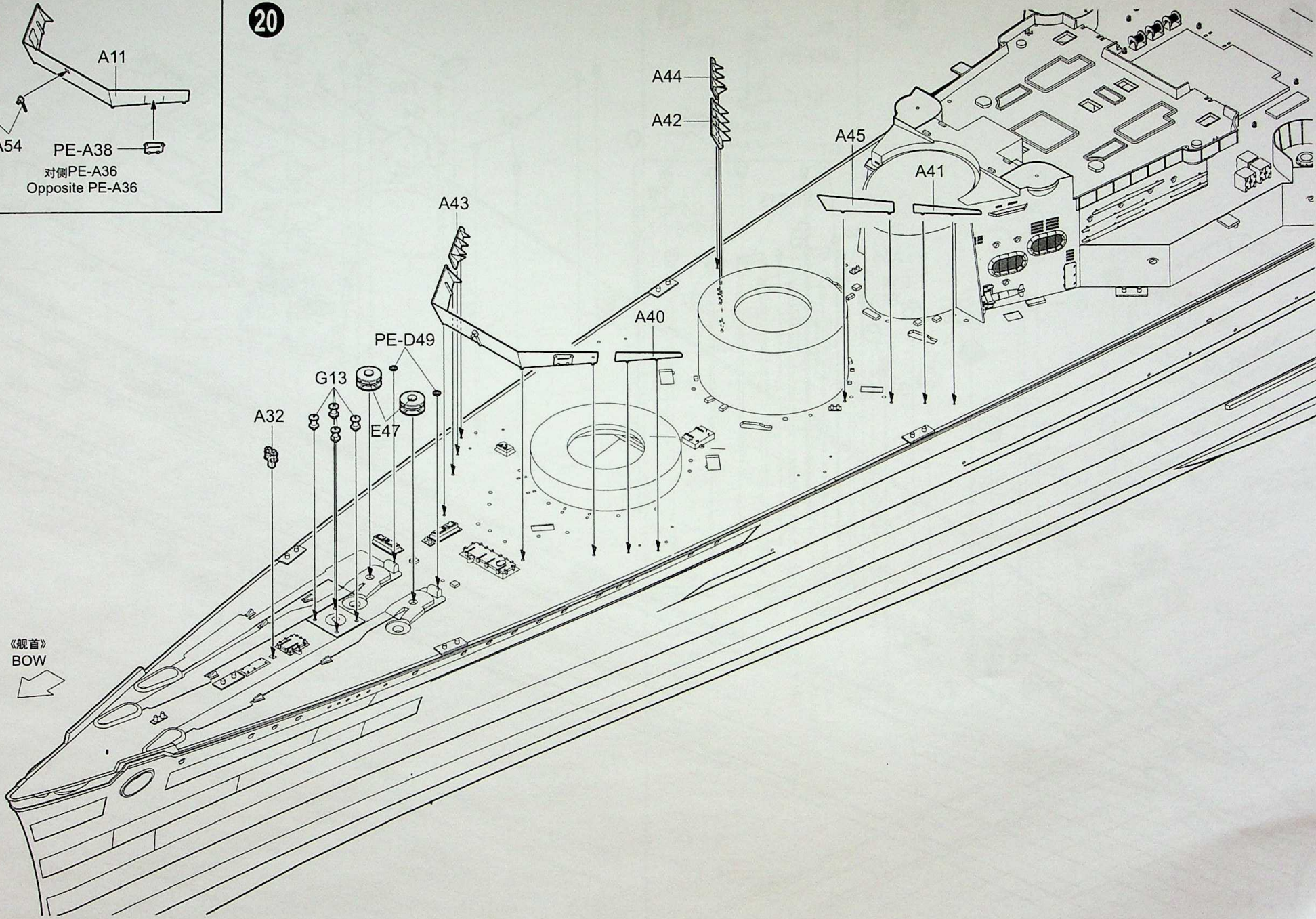


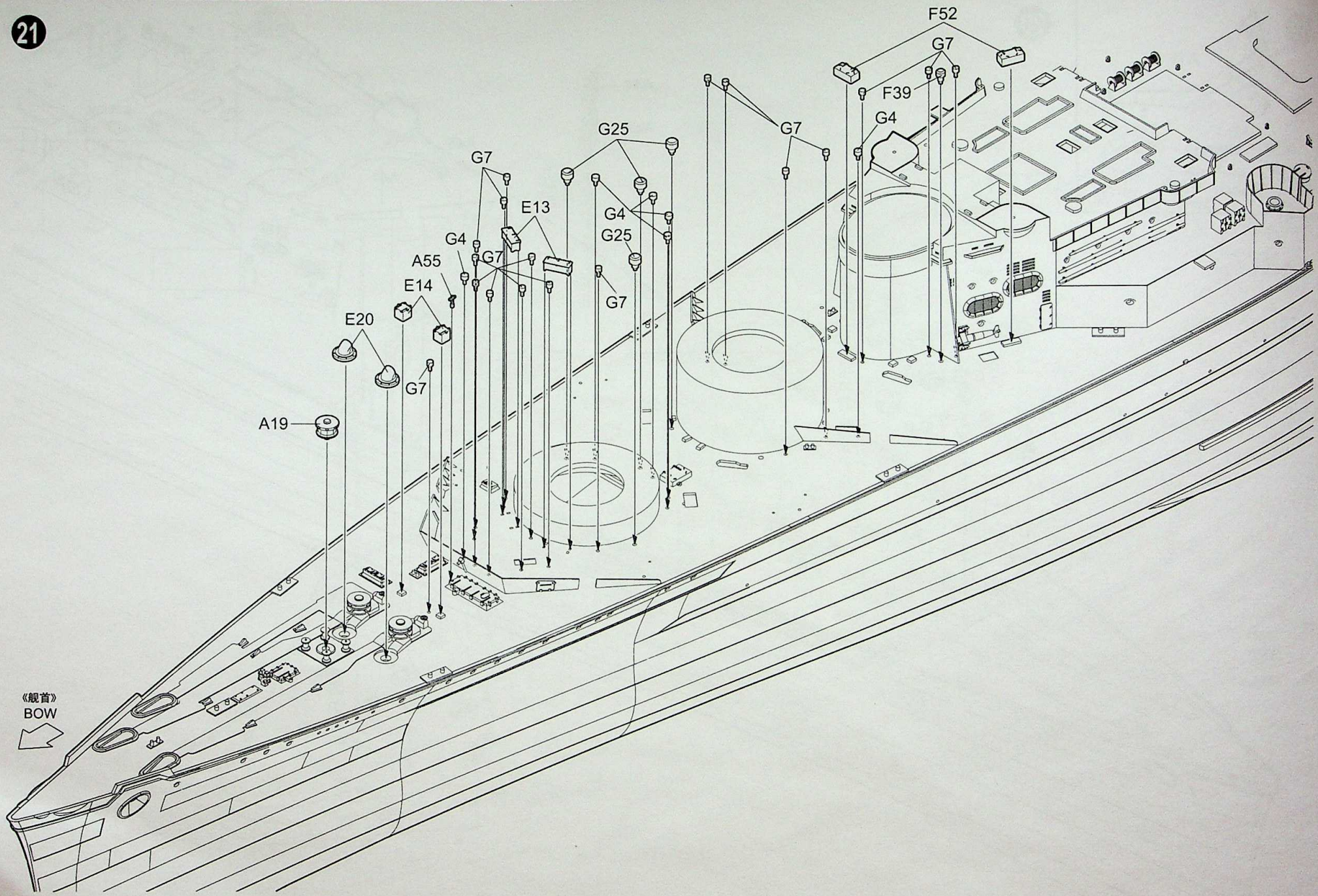
《舰首》
BOW

19



20

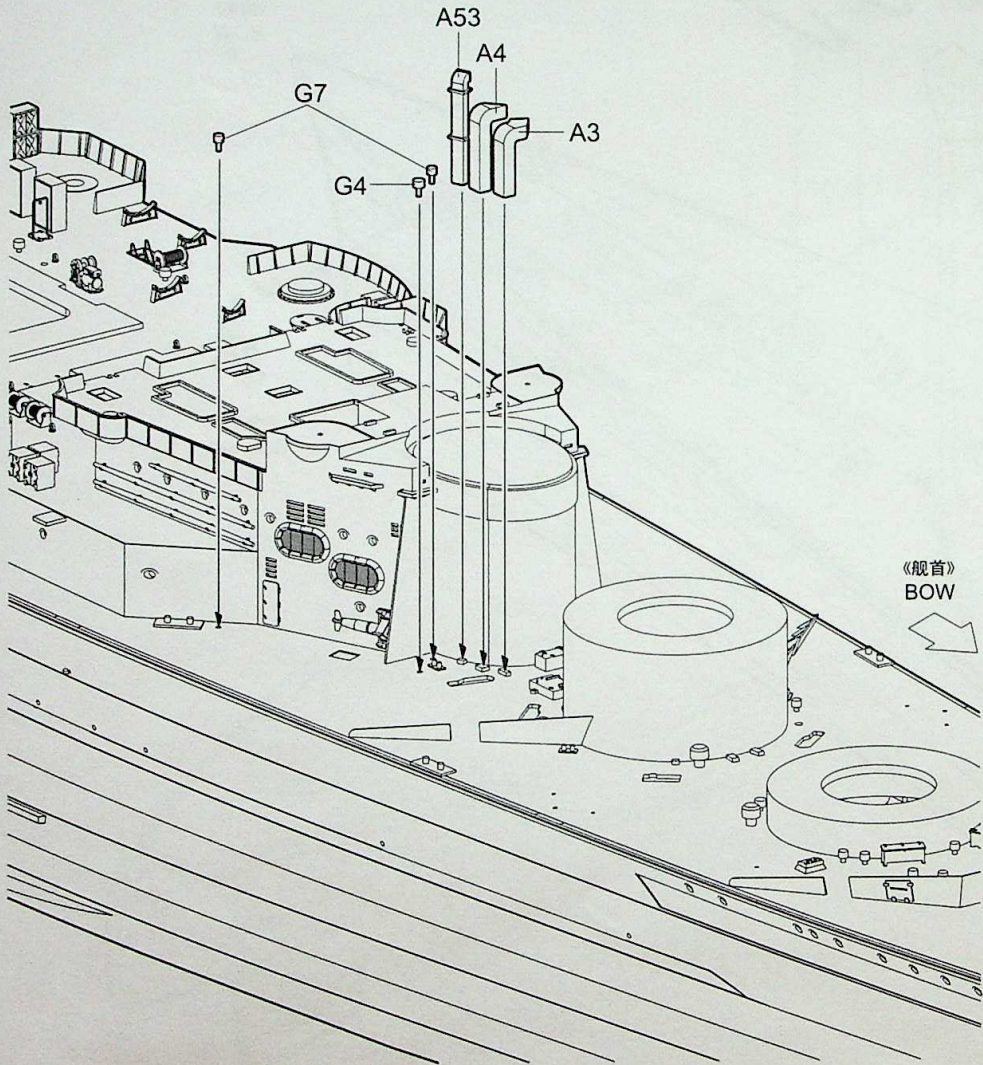




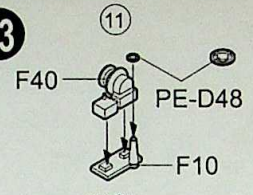
«舰首»
BOW



22

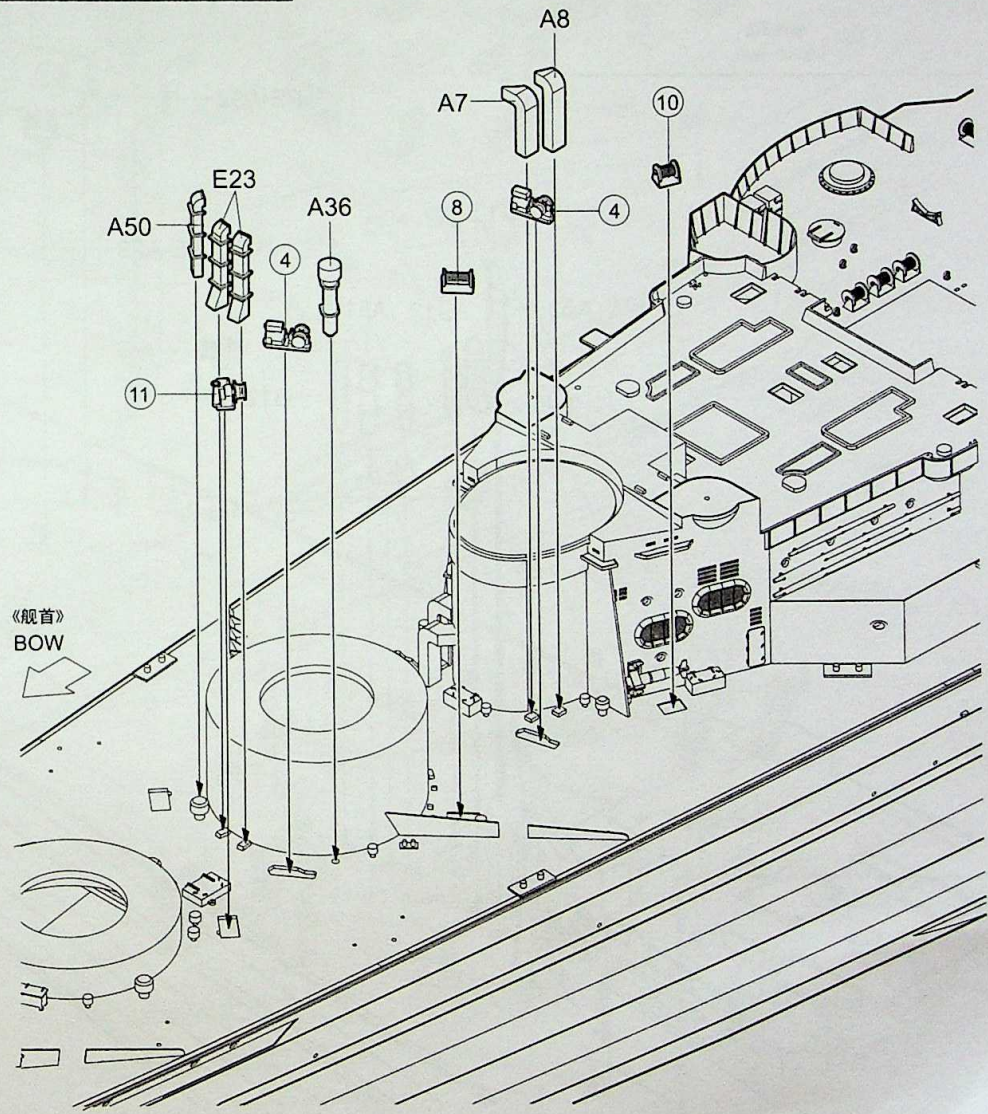


23

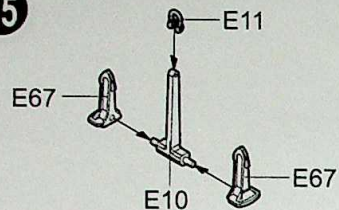


制作3套
Make three

24

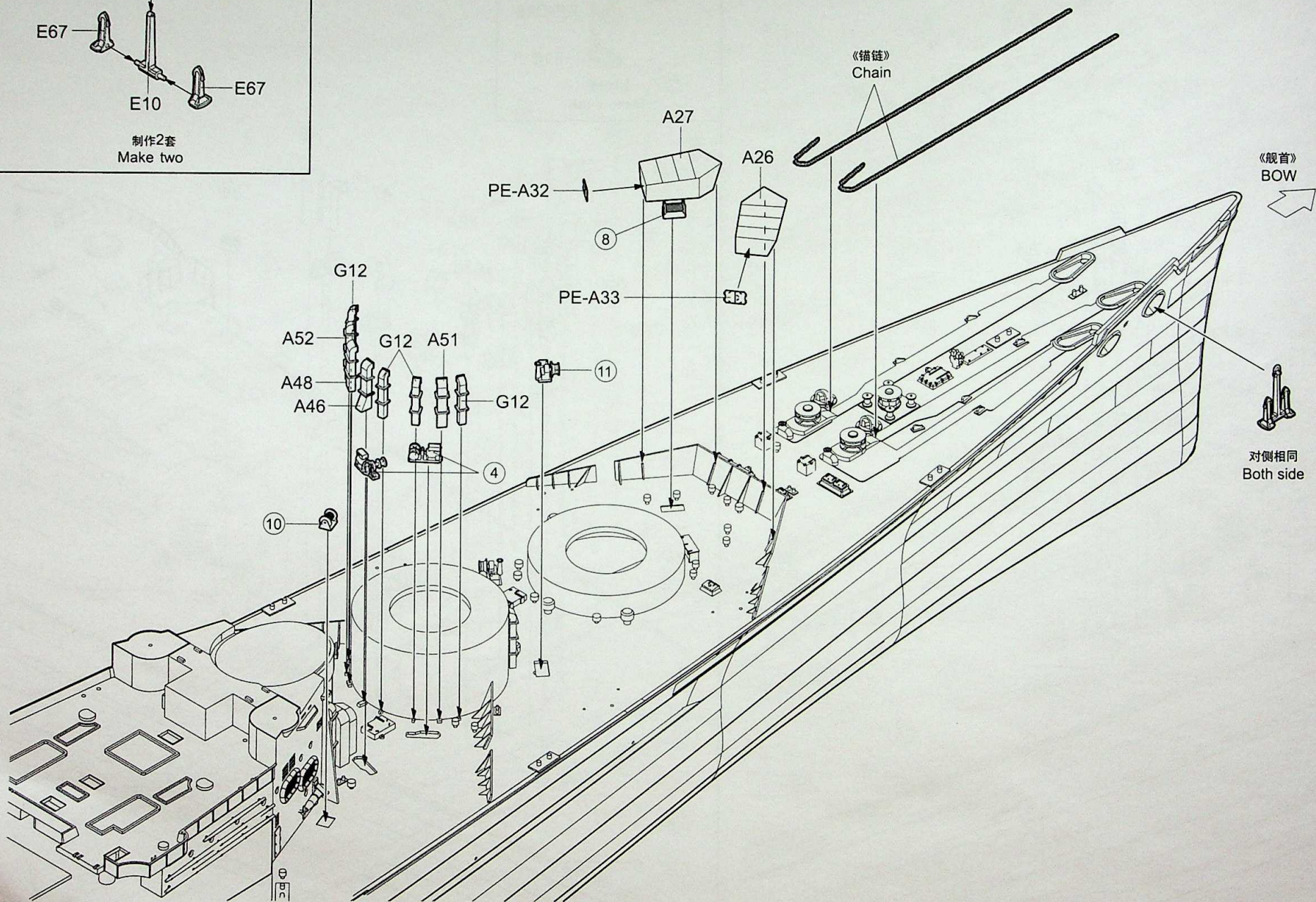


25



制作2套
Make two

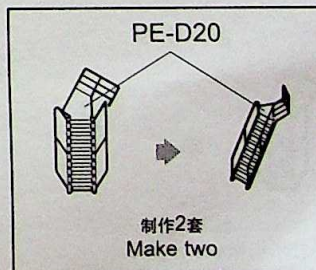
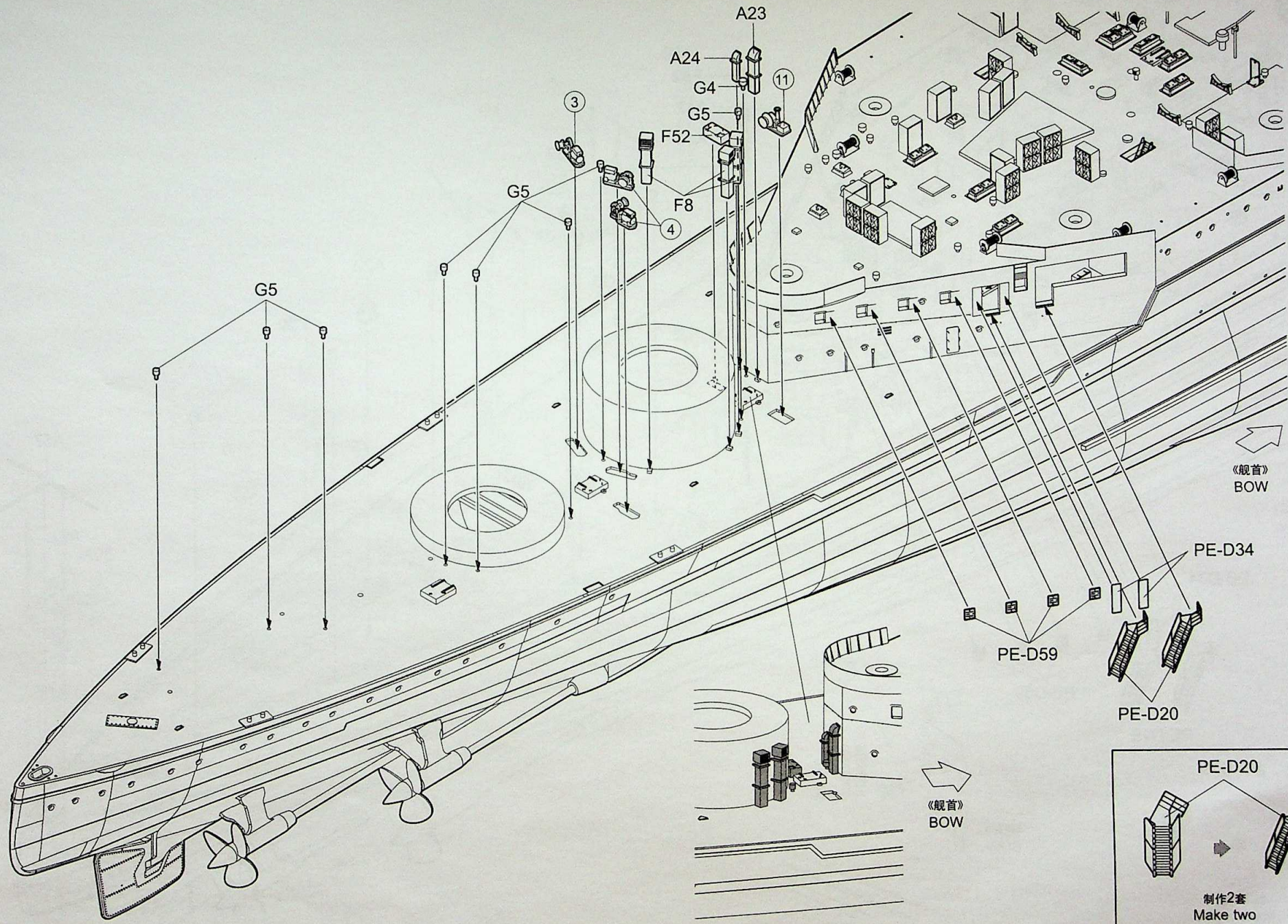
26

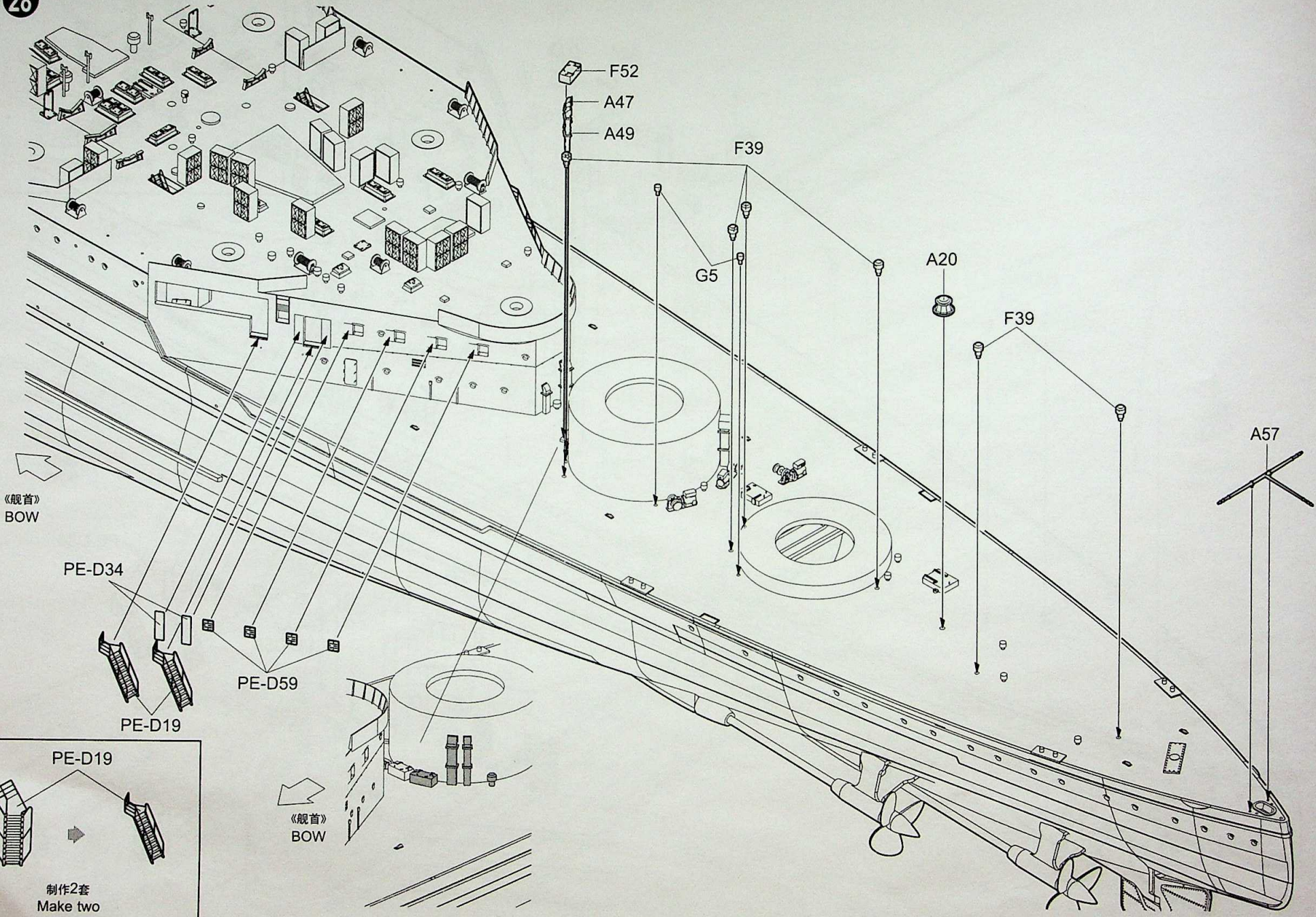


《锚链》
Chain

《舰首》
BOW

对侧相同
Both side





《舰首》
BOW

PE-D34

PE-D59

PE-D19

PE-D19

制作2套
Make two

《舰首》
BOW

F52
A47
A49

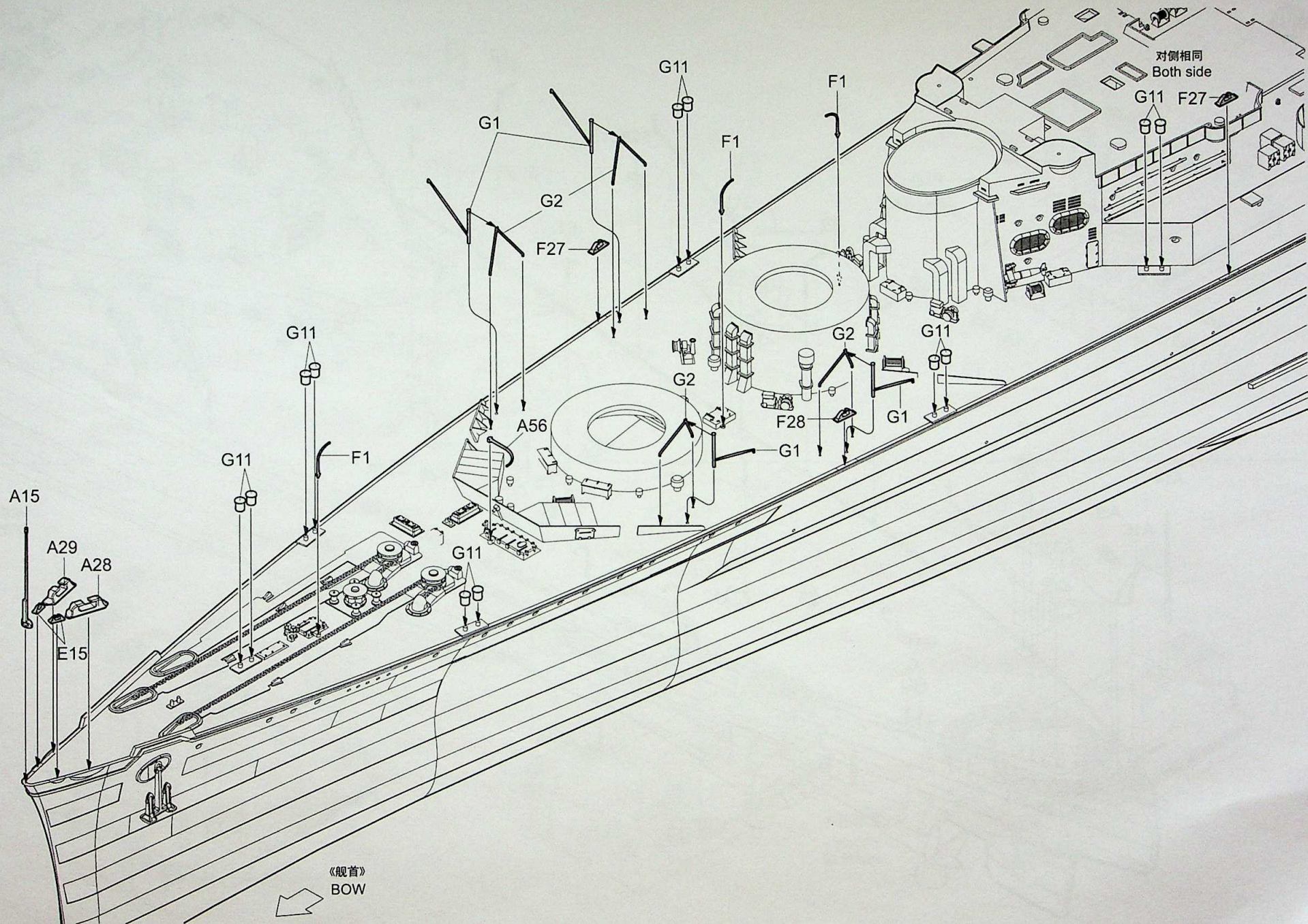
F39

G5

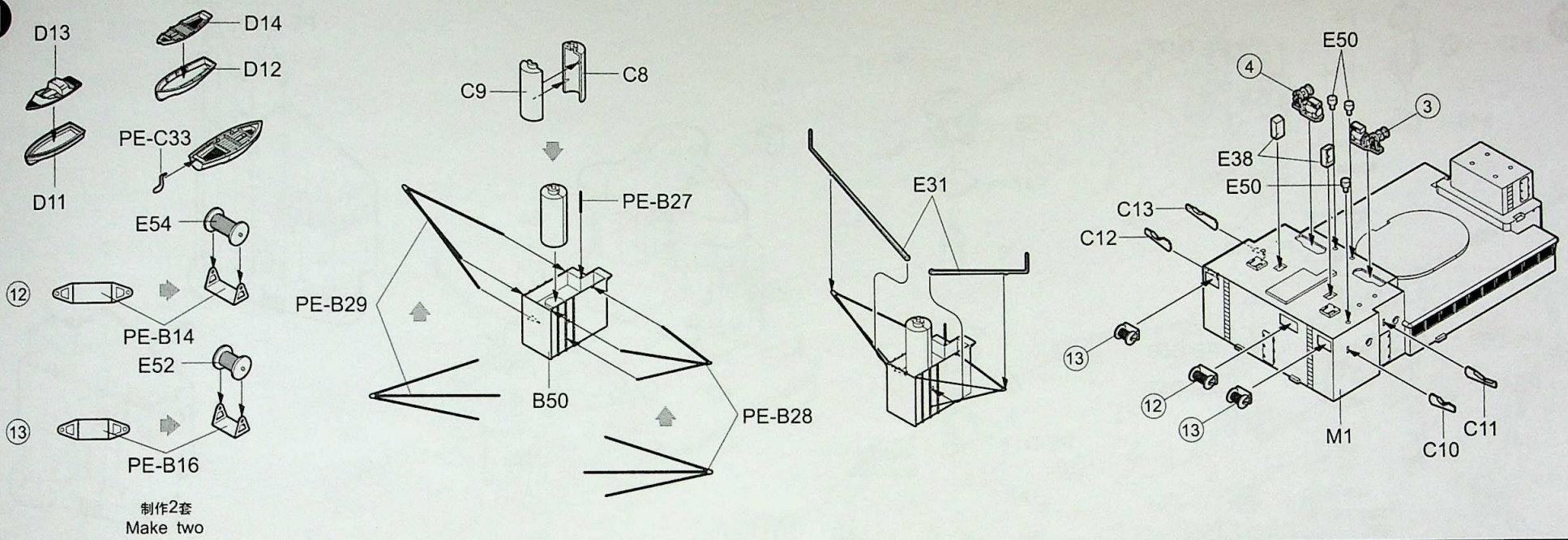
A20

F39

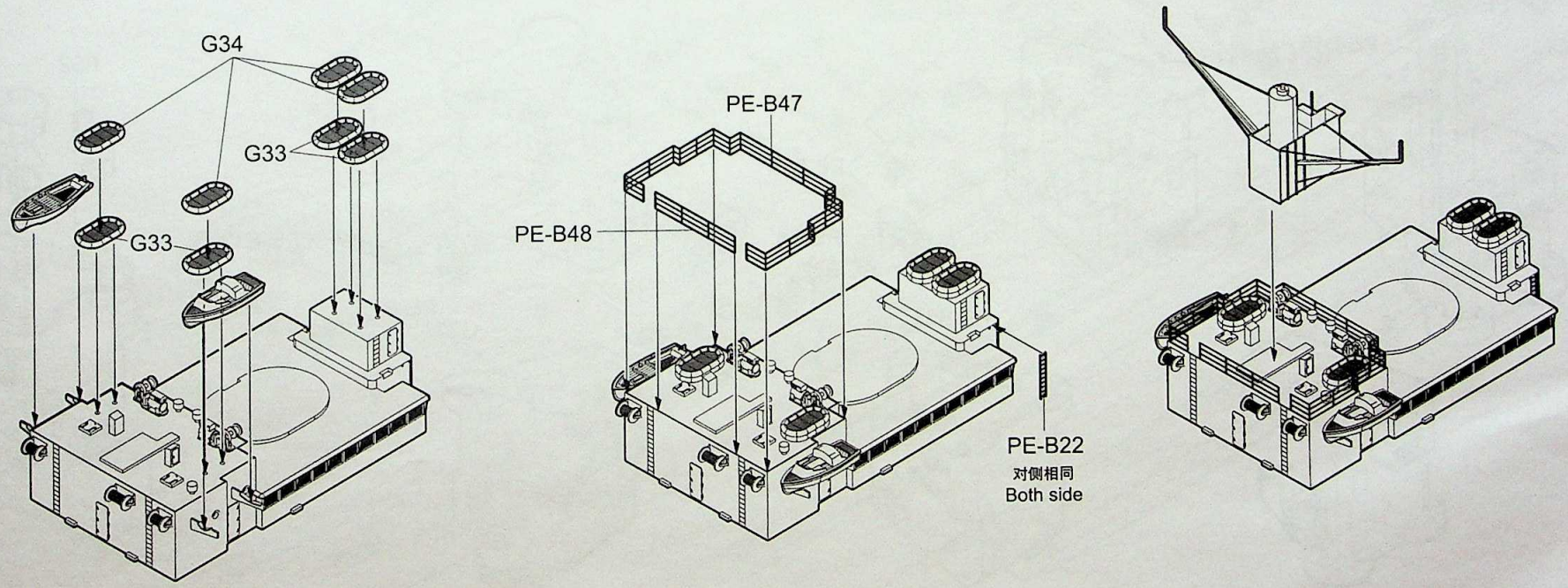
A57



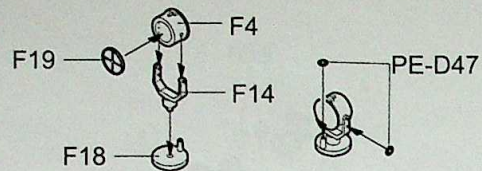
31



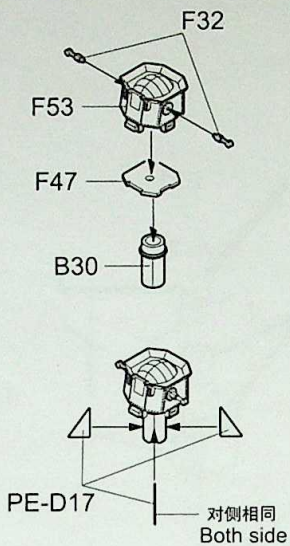
32



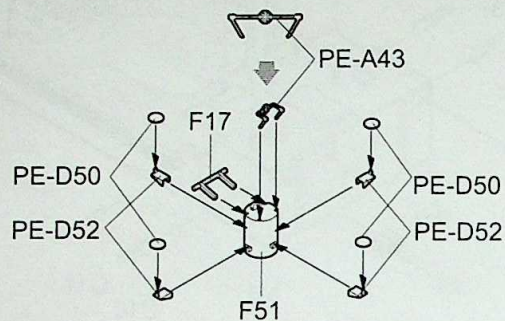
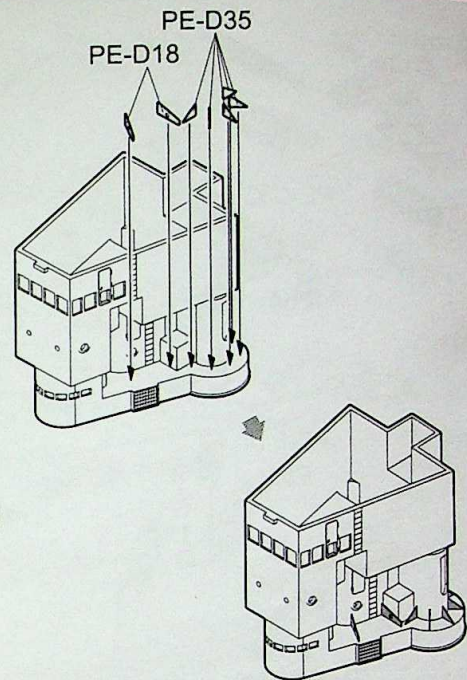
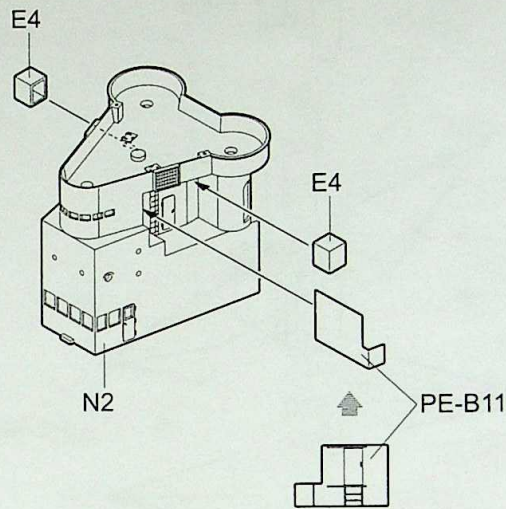
33



制作6套
Make six

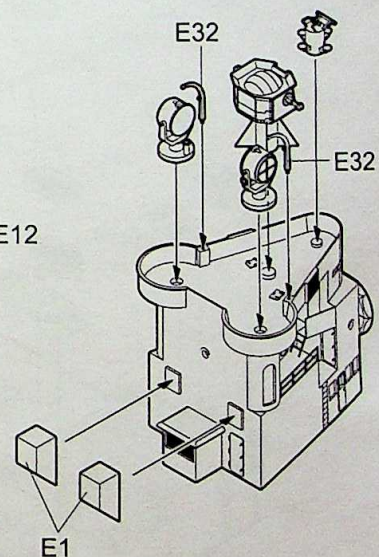
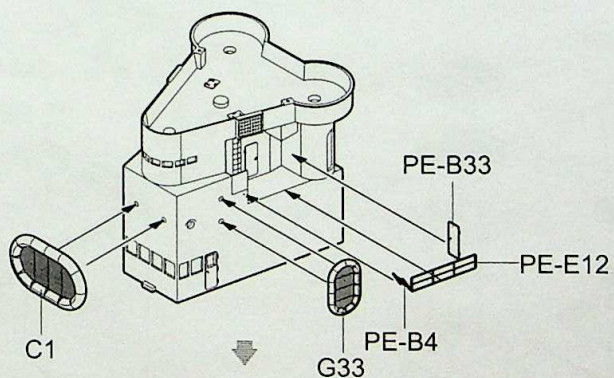
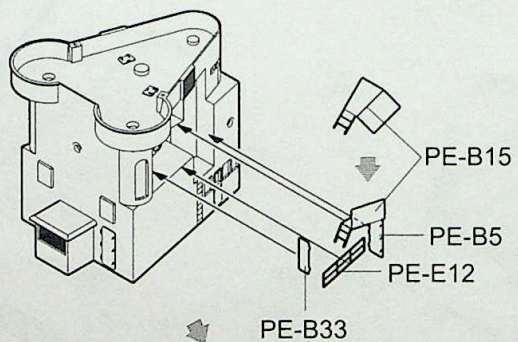
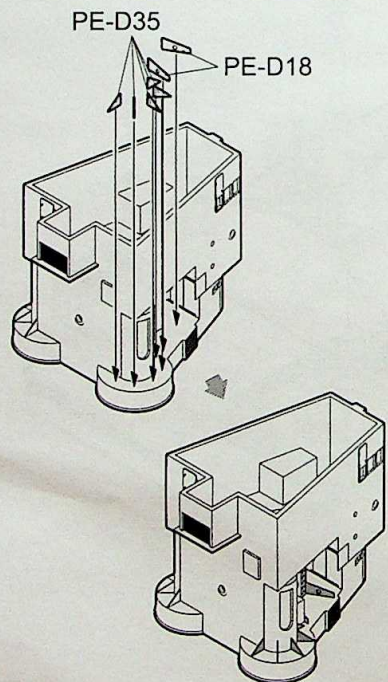


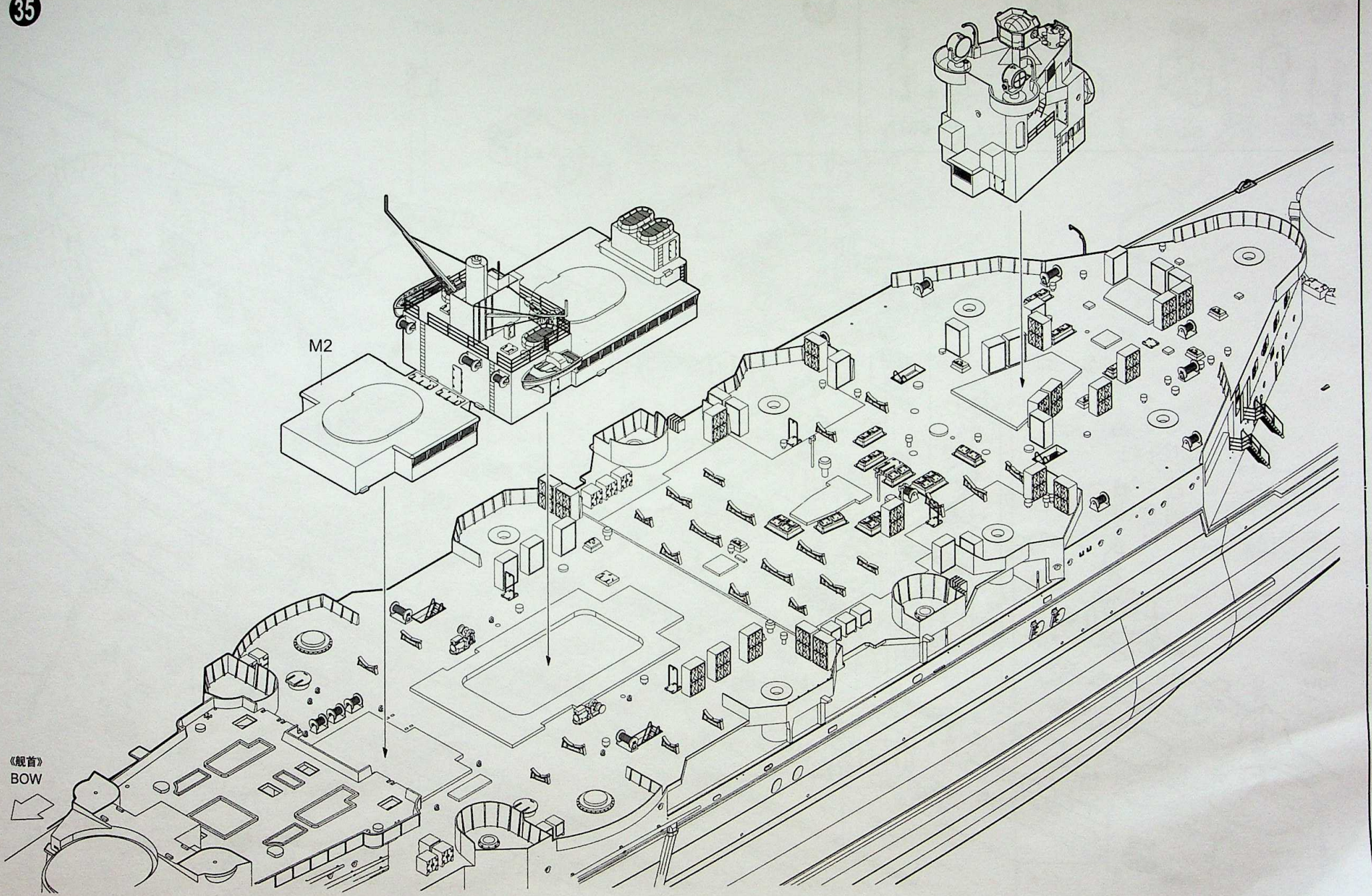
对侧相同
Both side

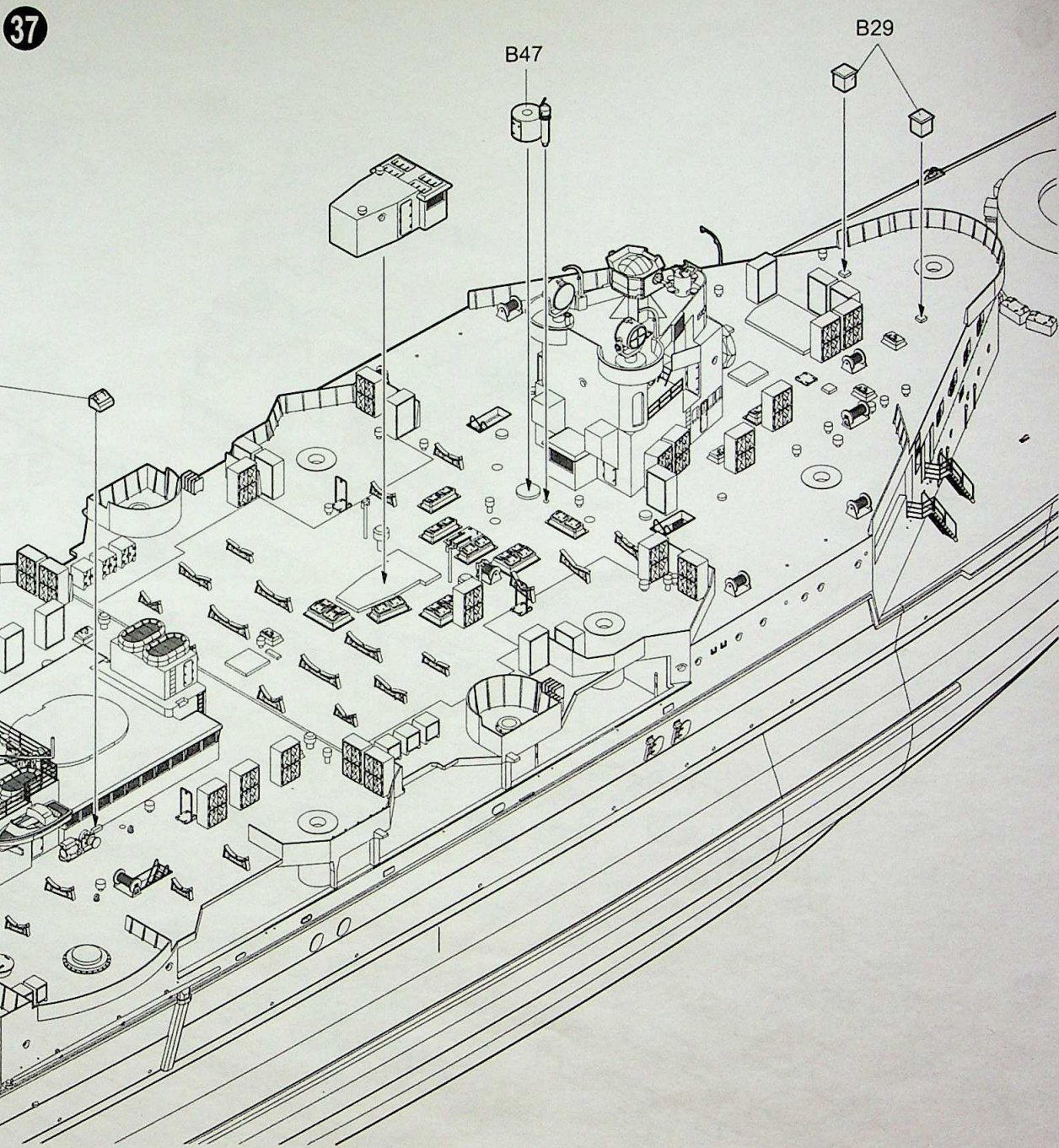
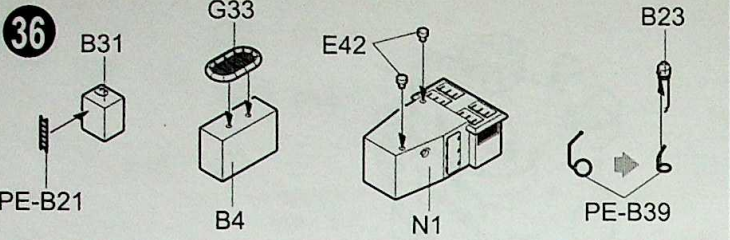


制作3套
Make three

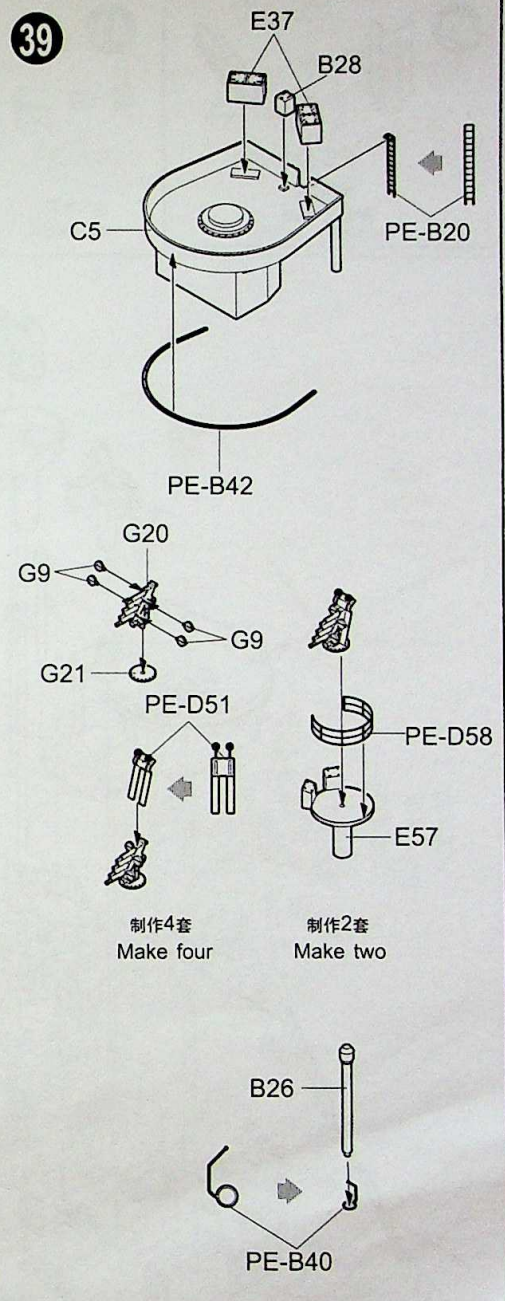
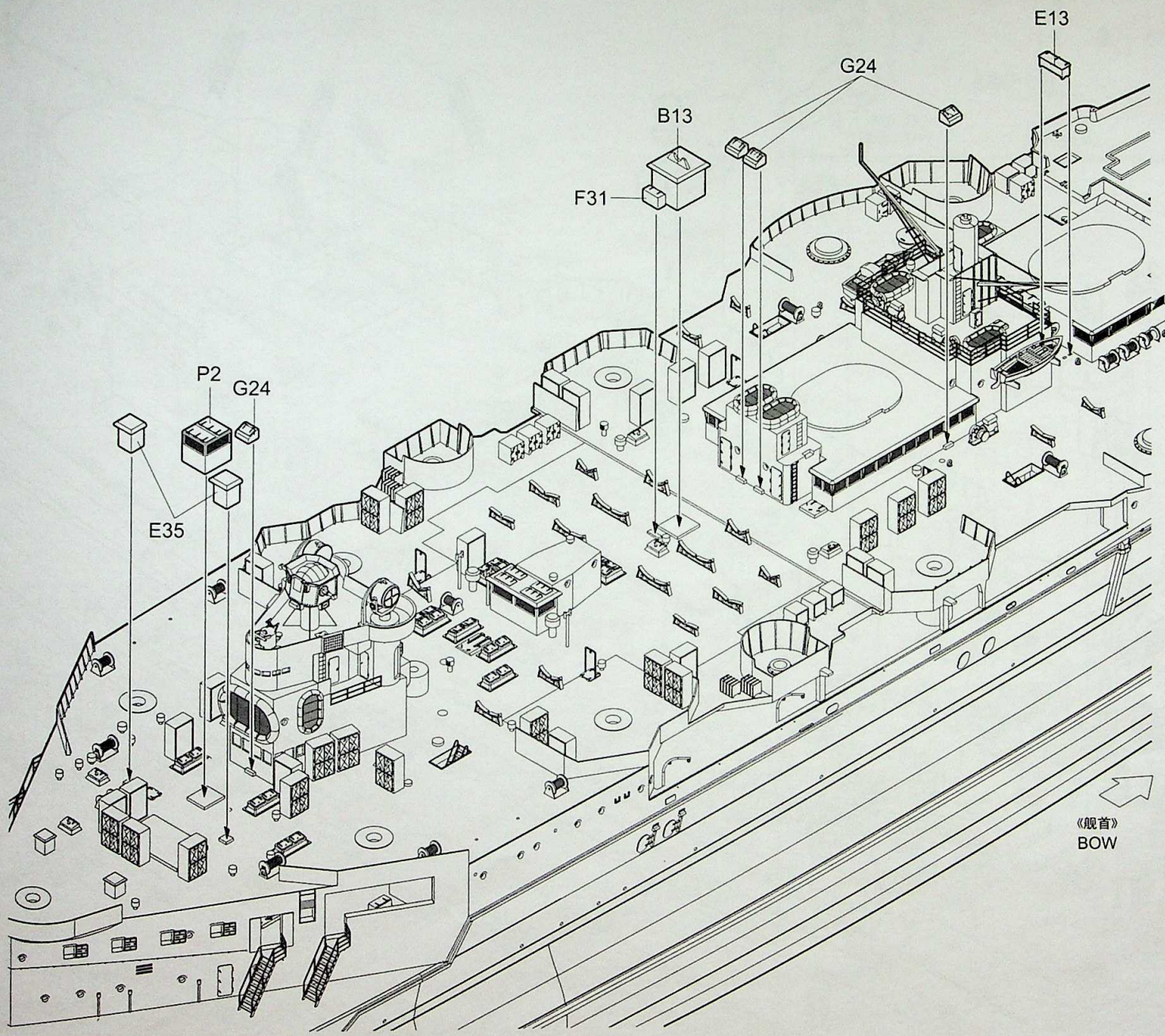
34







《舰首》
BOW



40

PE-D1
制作5套
Make five

41

C19

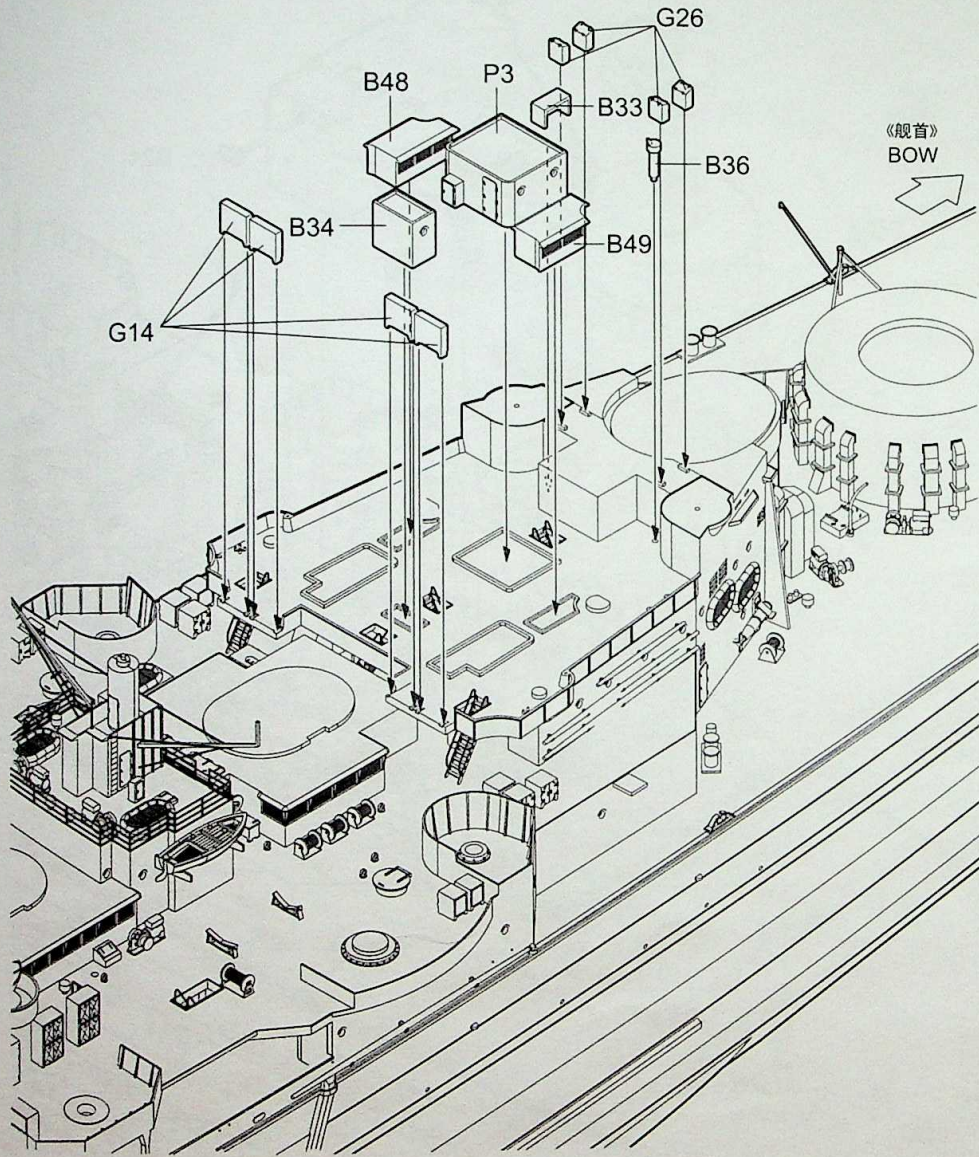
C18

E22

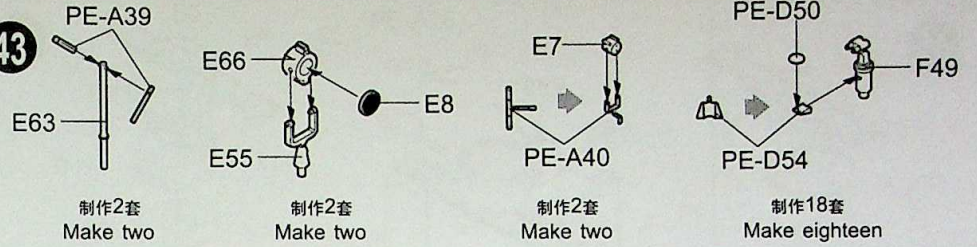
PE-D1

《舰首》
BOW

42



43



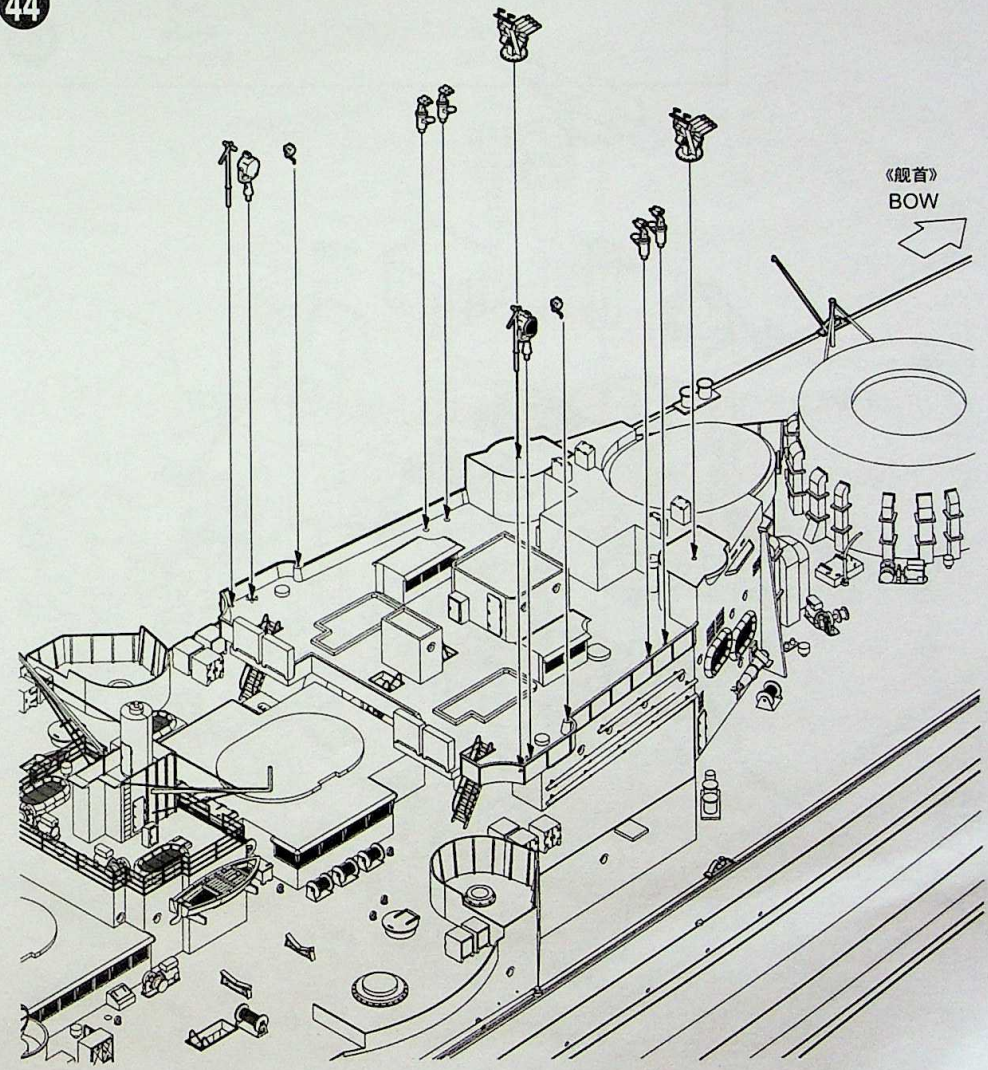
制作2套
Make two

制作2套
Make two

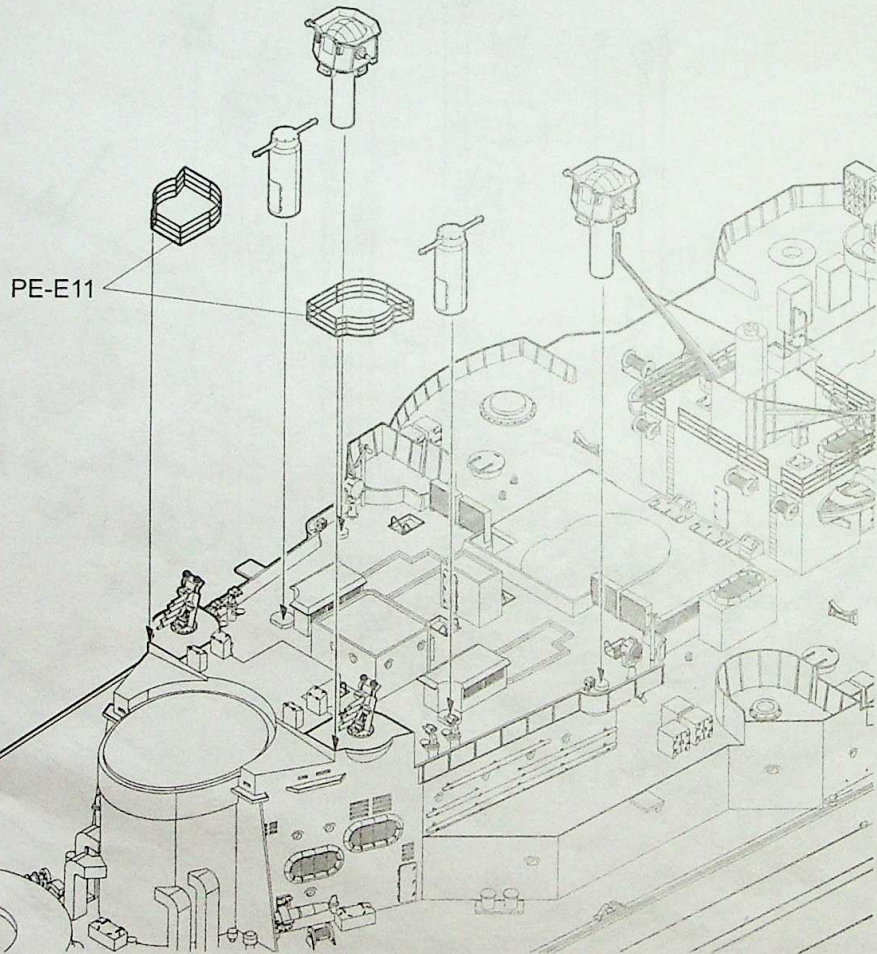
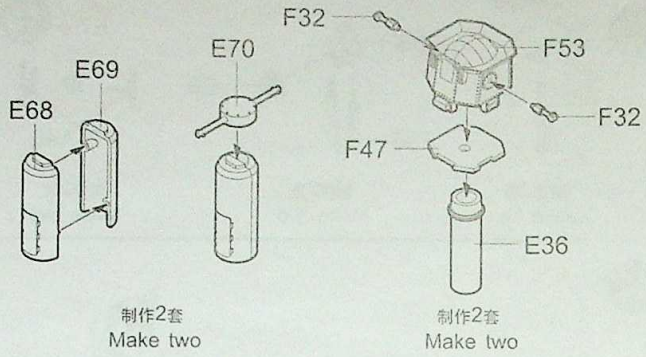
制作2套
Make two

制作18套
Make eighteen

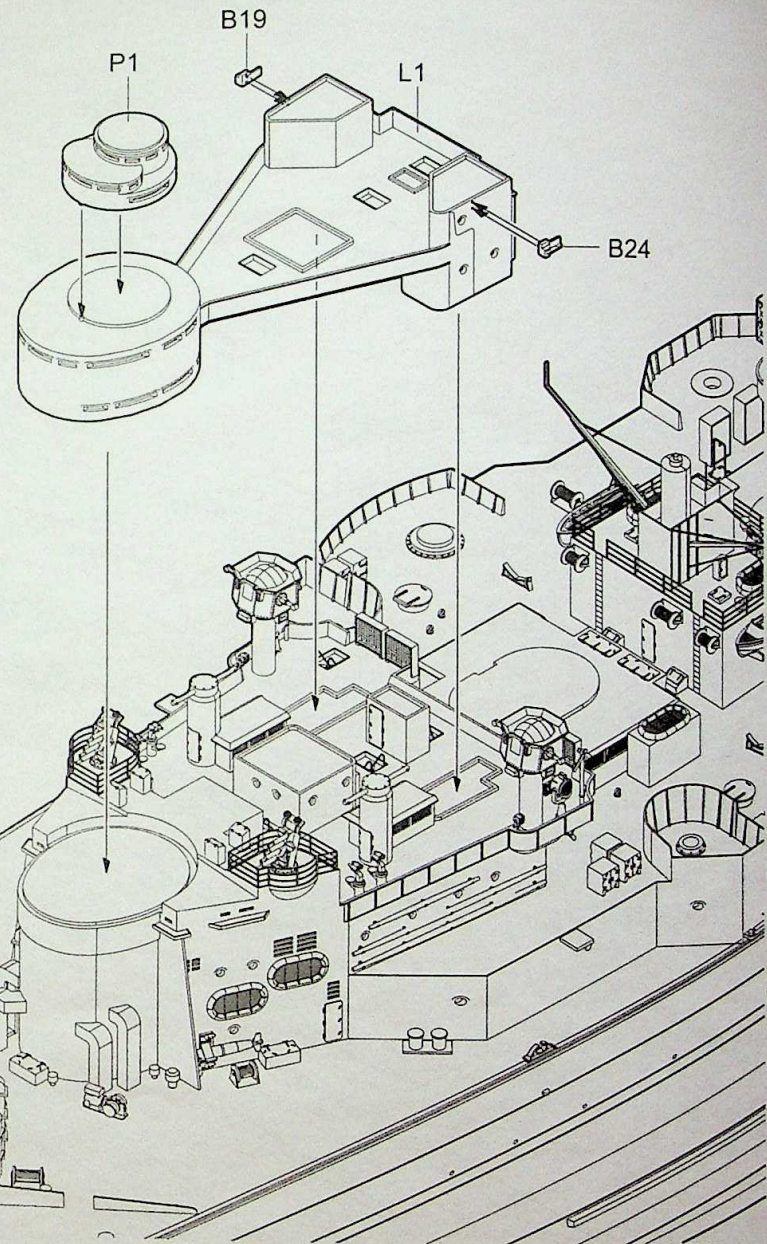
44



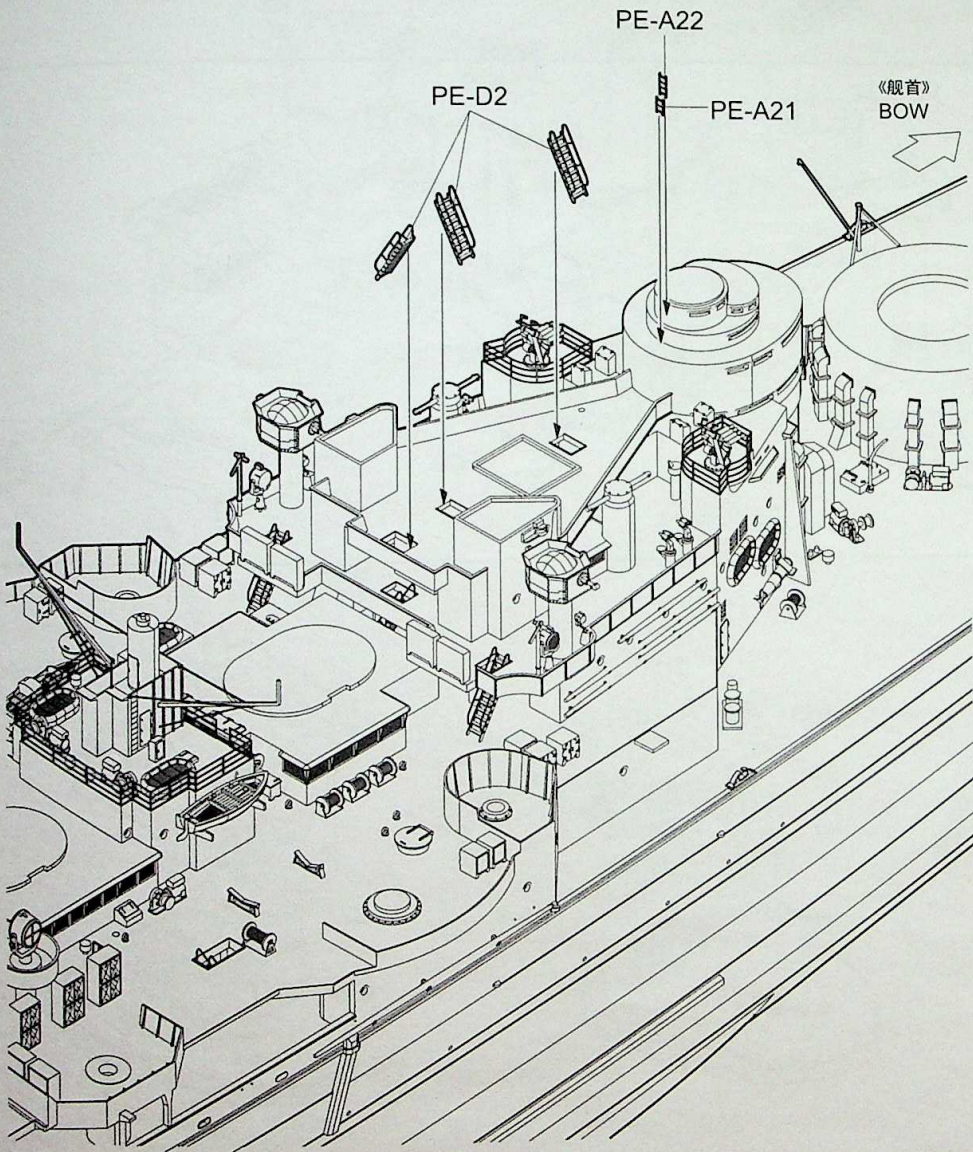
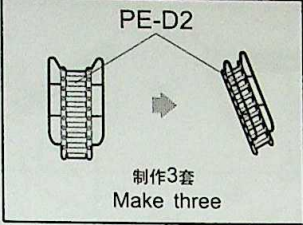
45



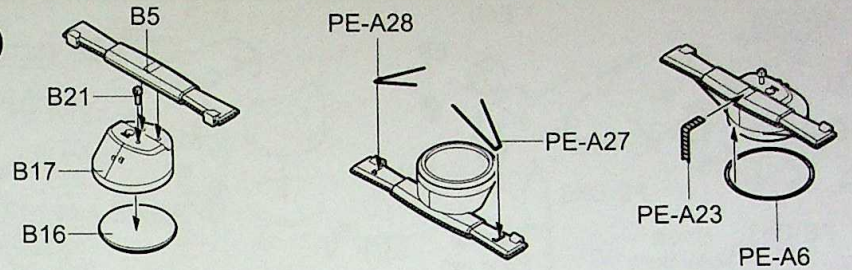
46



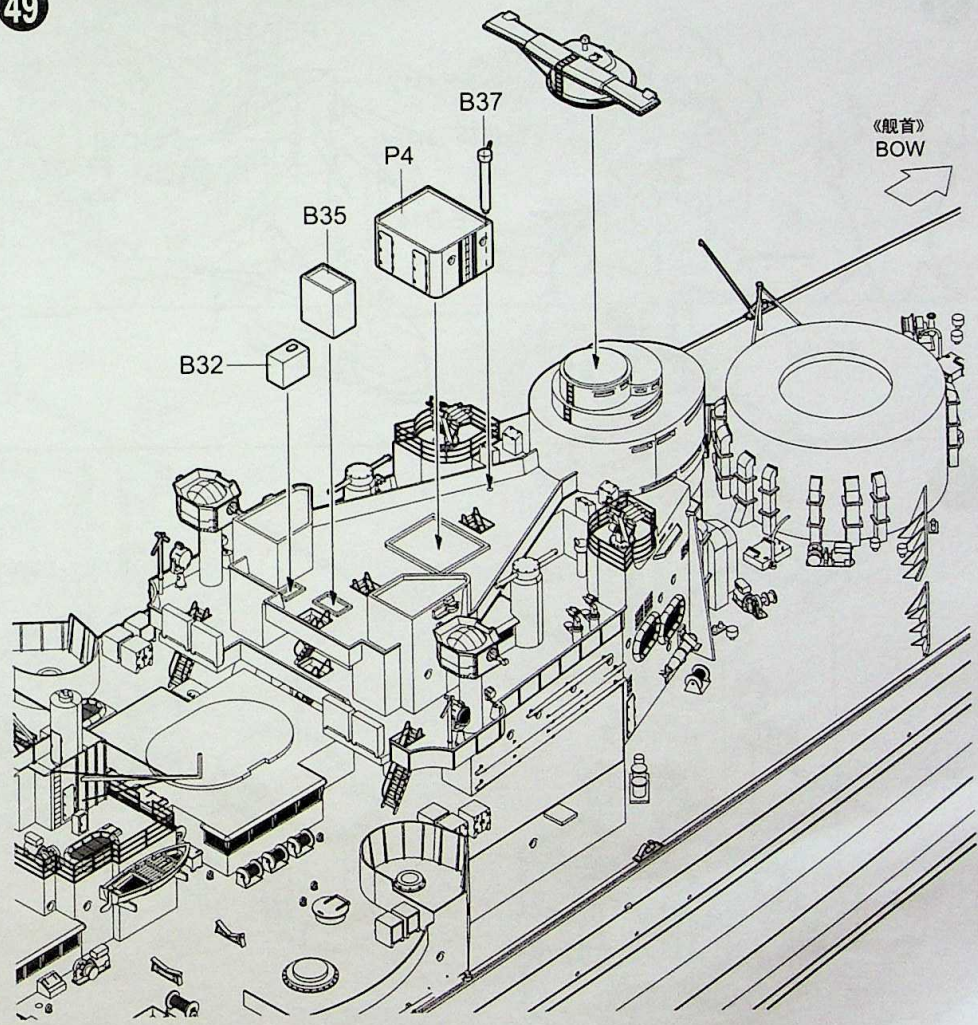
47



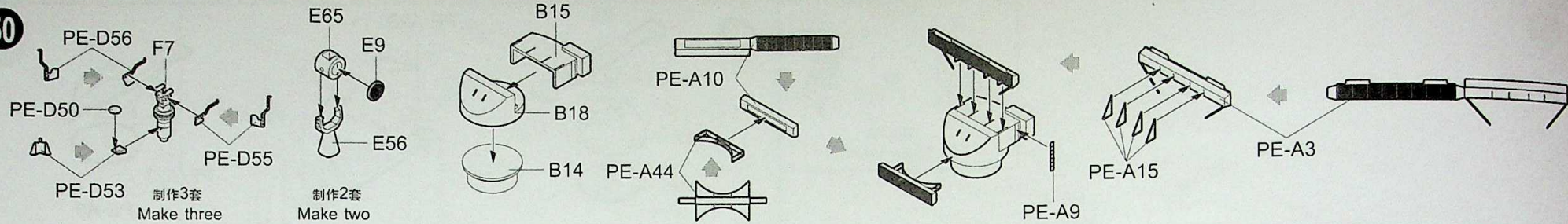
48



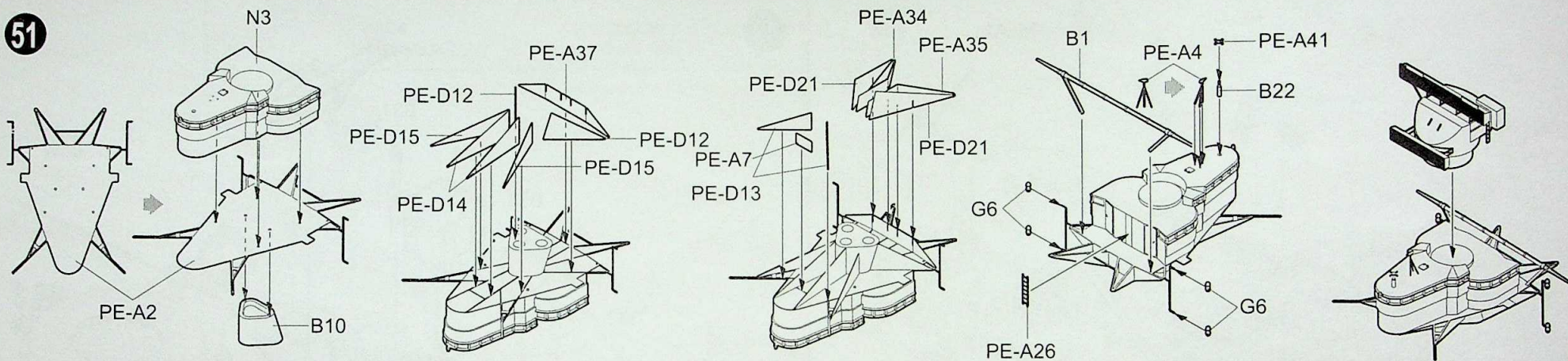
49



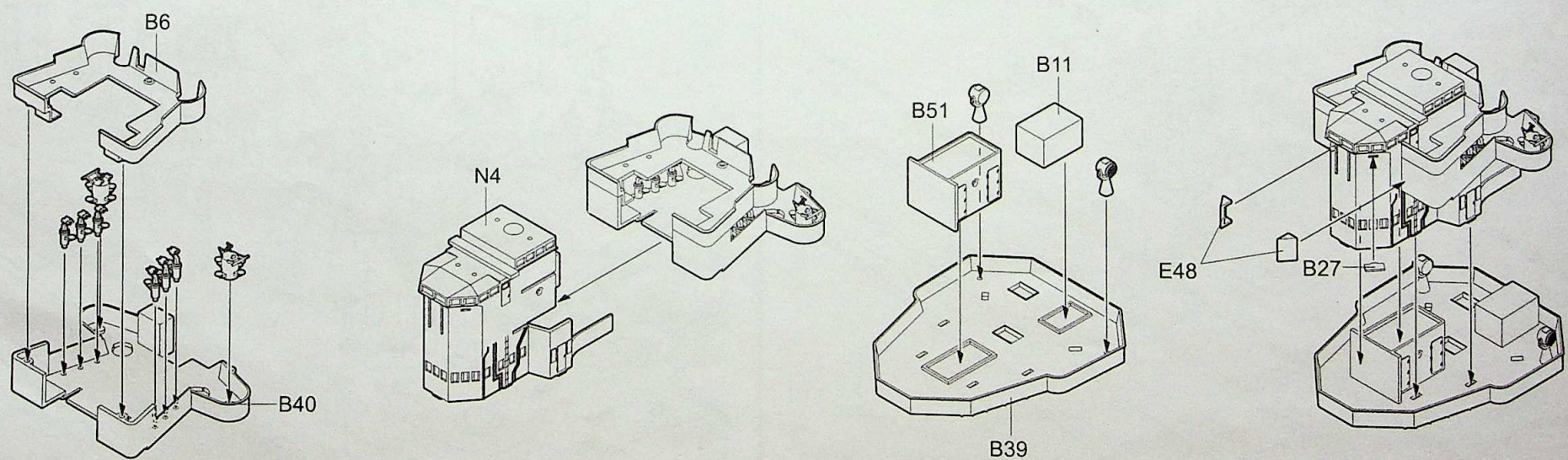
50

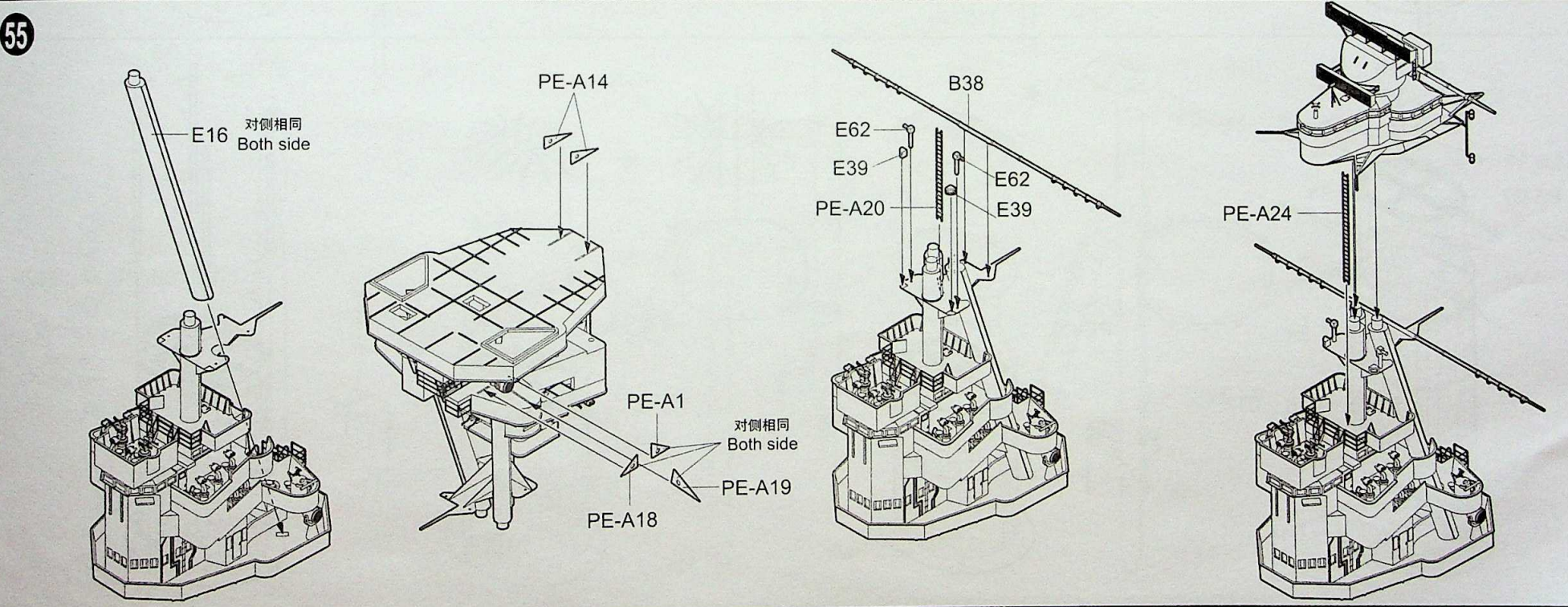
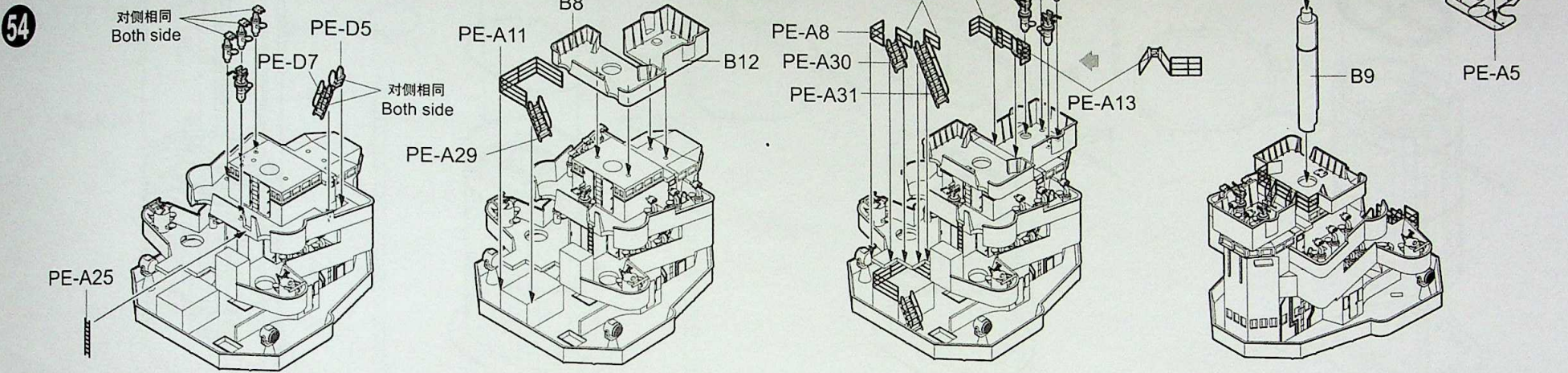
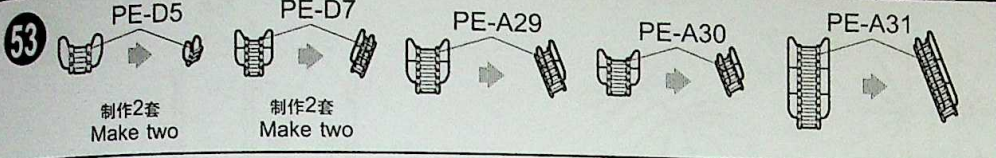


51

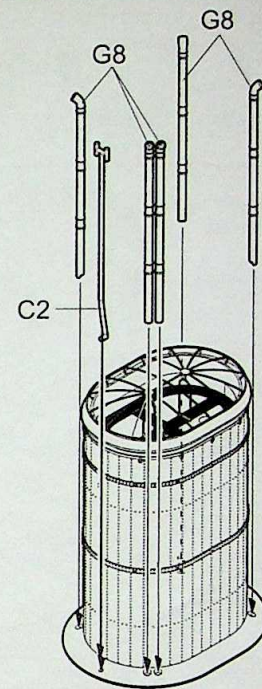
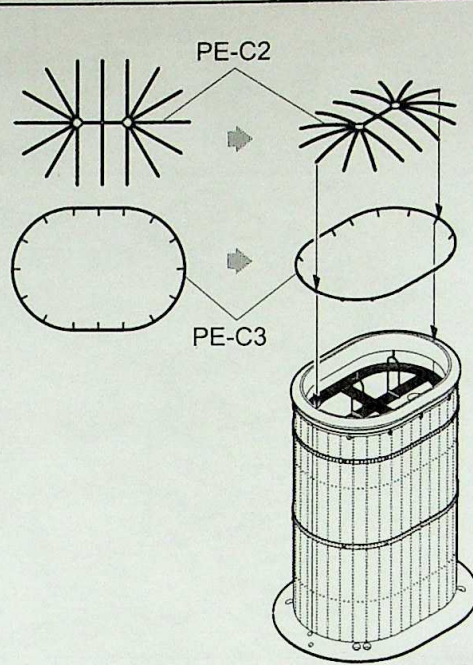
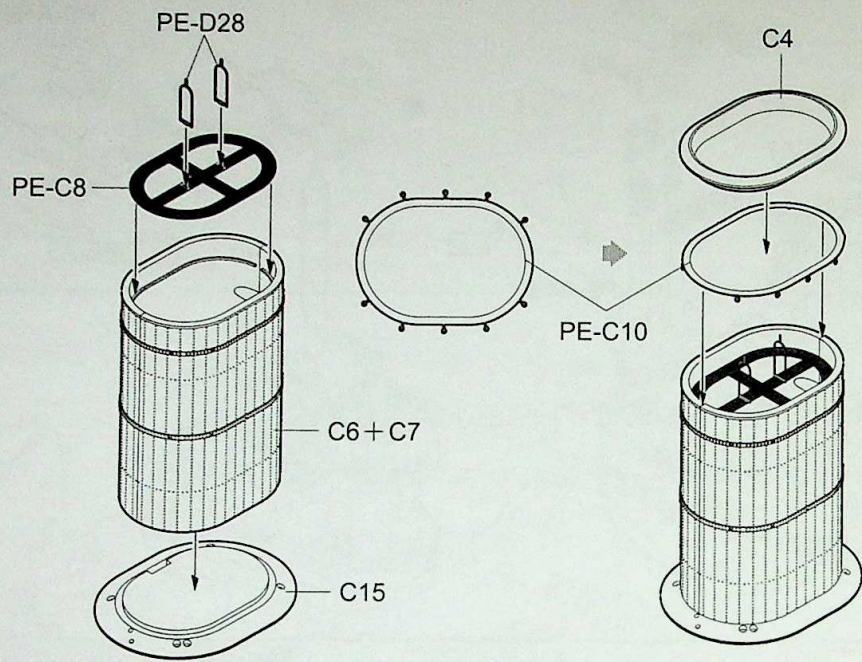


52

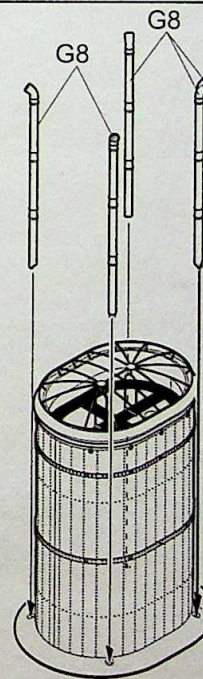
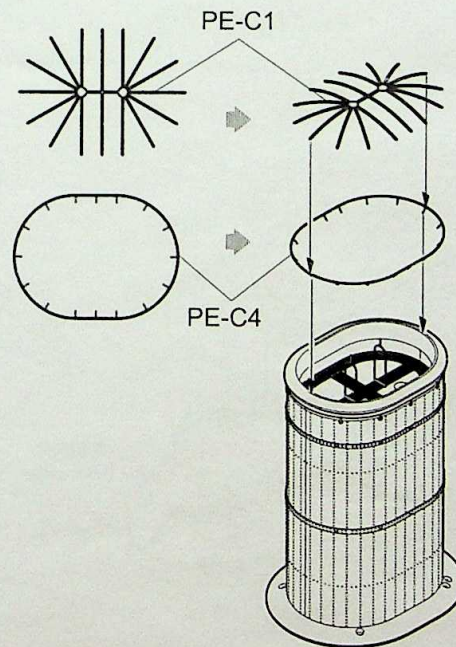
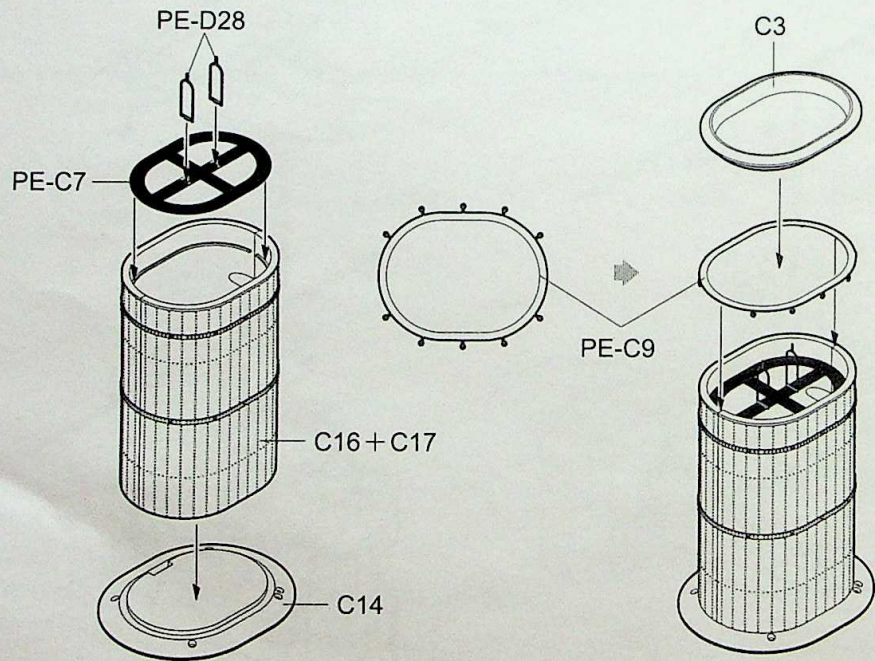


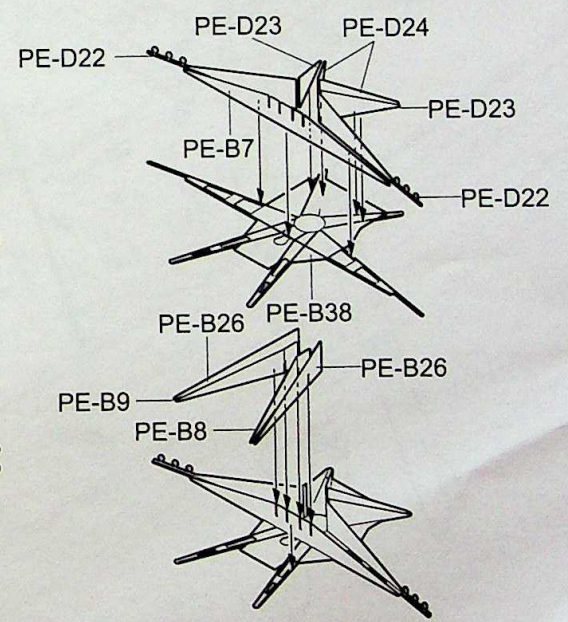
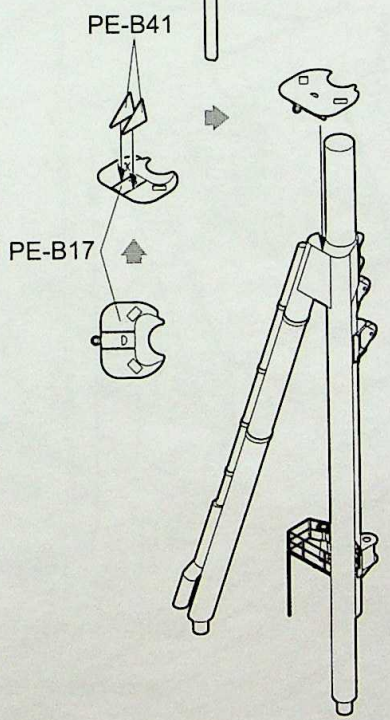
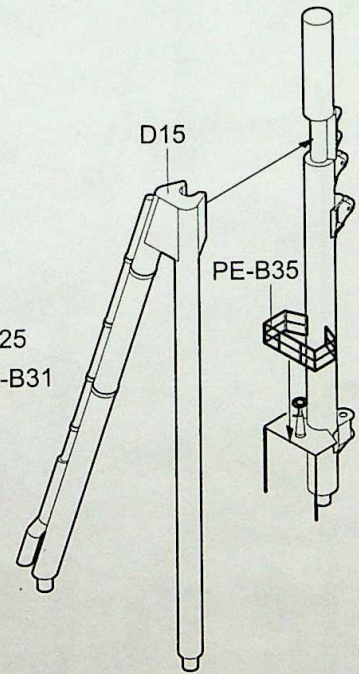
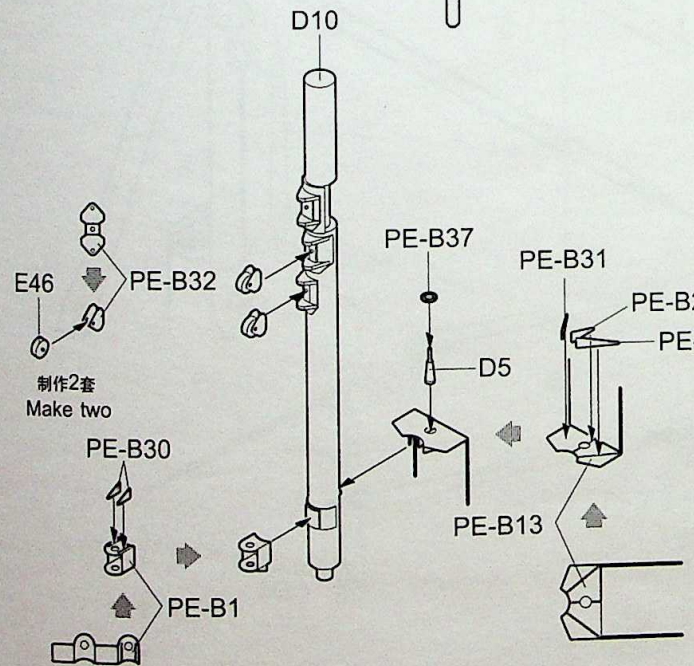
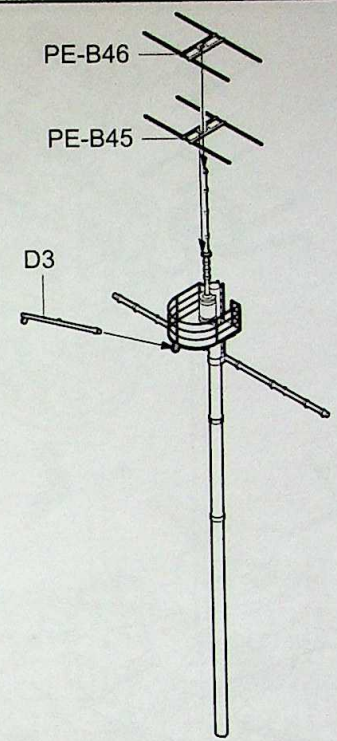
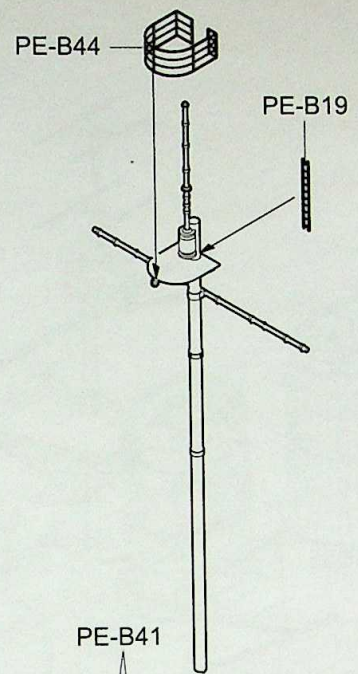
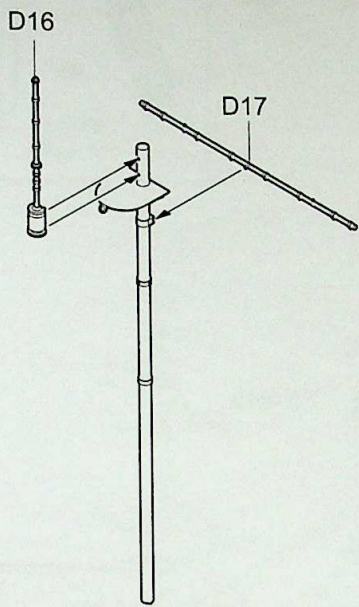
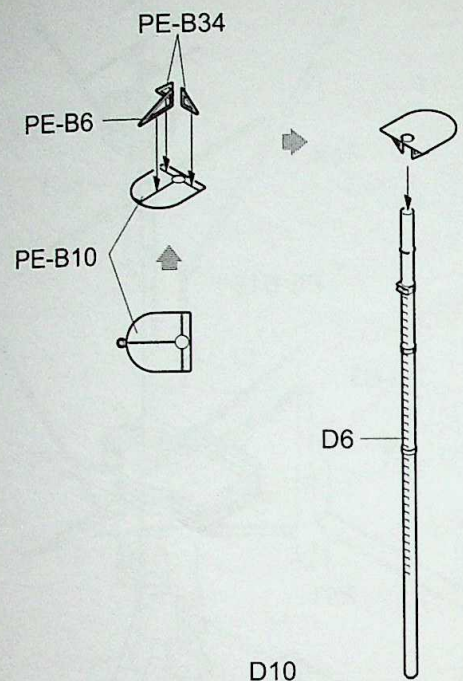


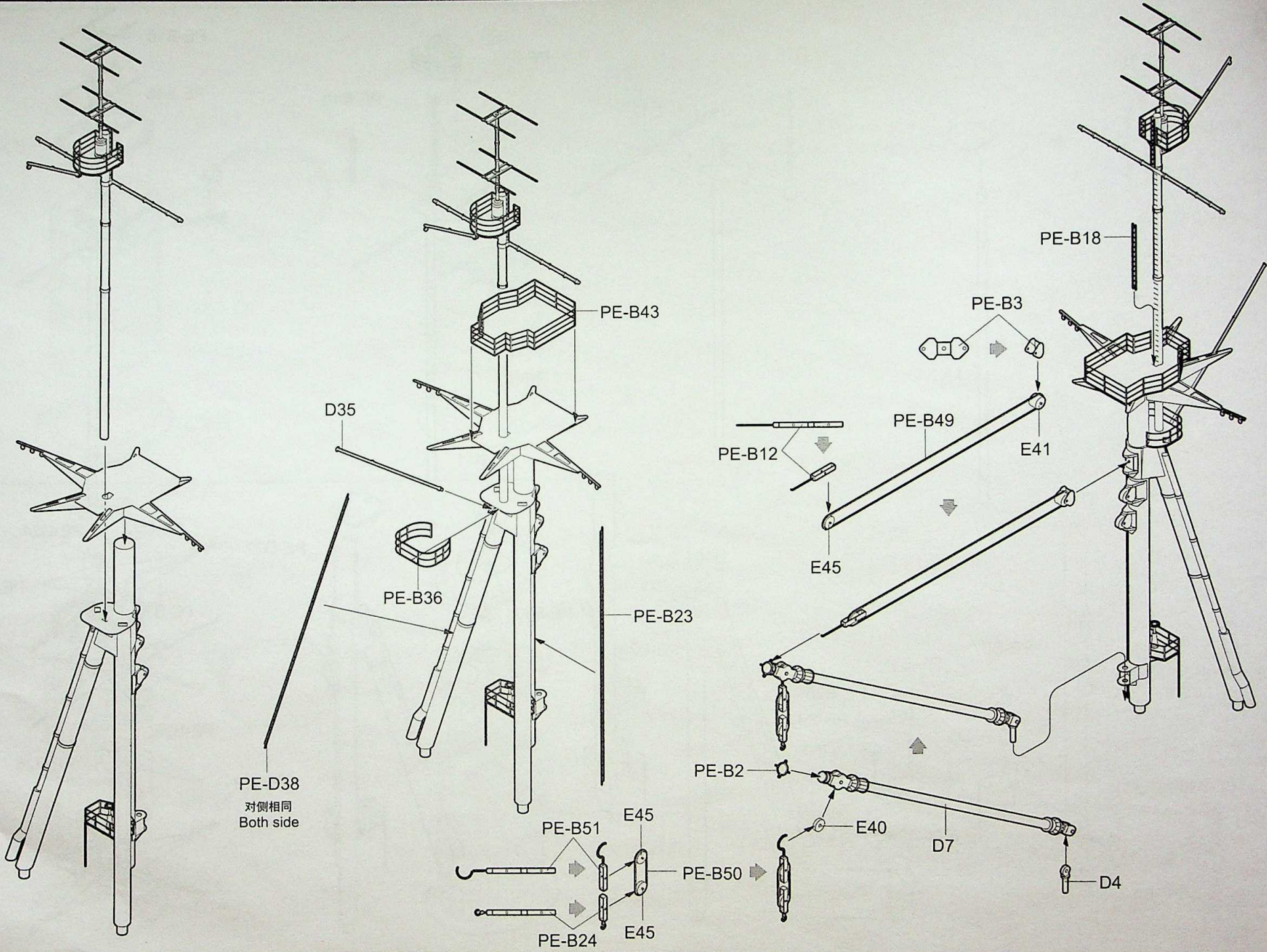
56



57

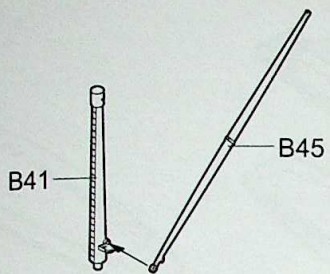




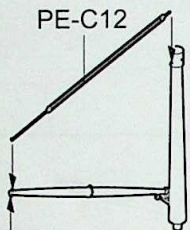


对侧相同
Both side

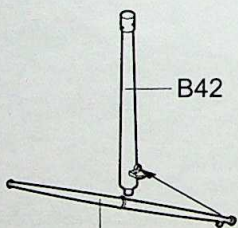
60



PE-C12

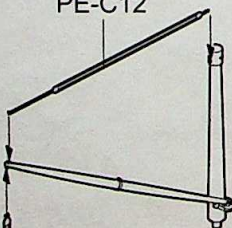


PE-C24



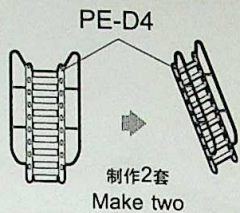
B46

PE-C12

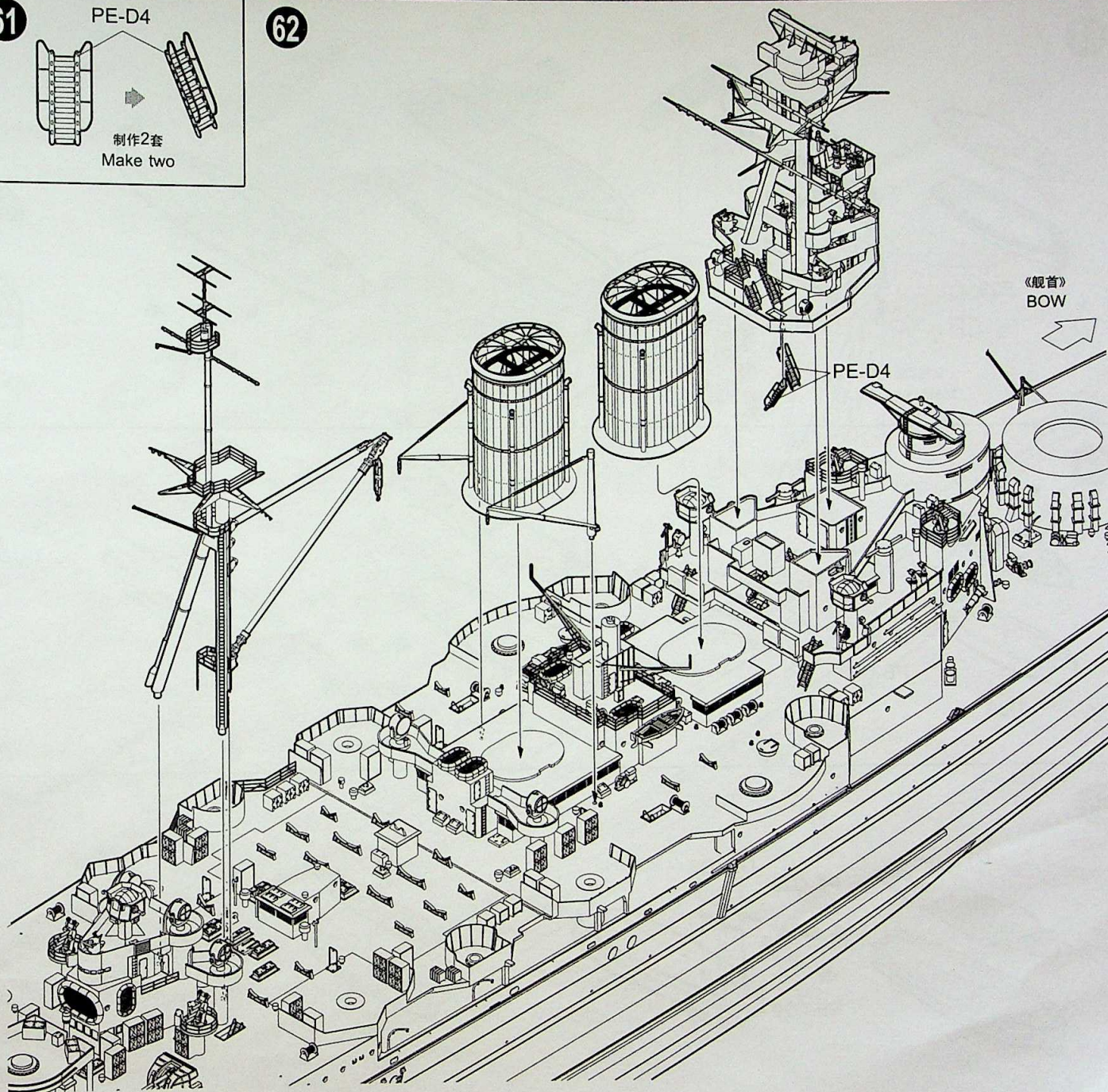


PE-C24

61

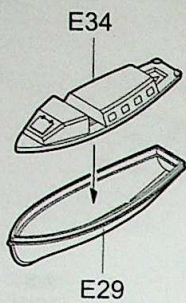


62

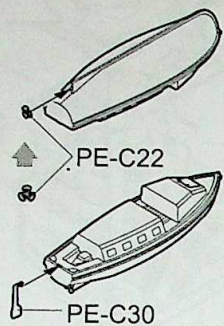


《舰首》
BOW

63

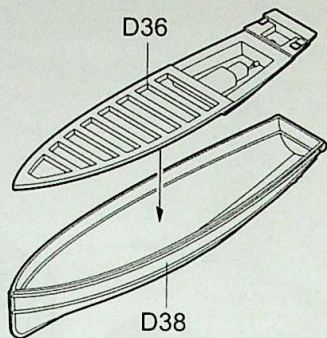


14

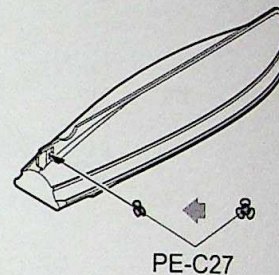
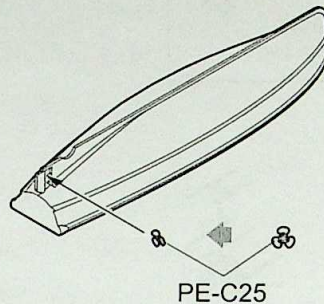
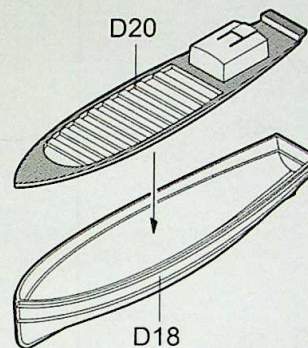


制作2套
Make two

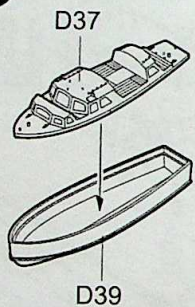
15



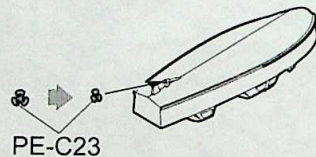
16



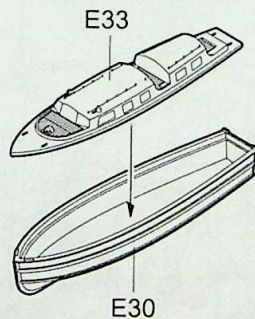
64



17

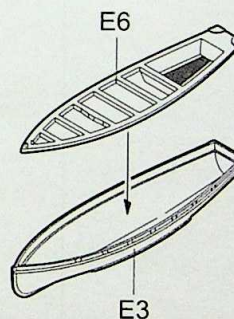


18

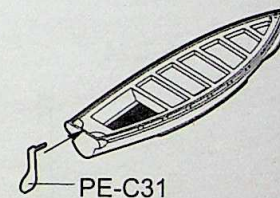


制作2套
Make two

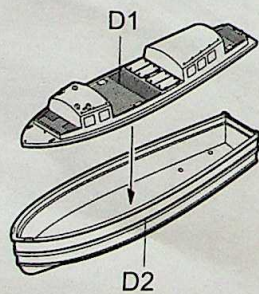
19



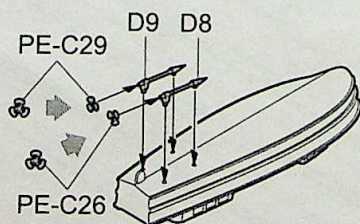
制作2套
Make two



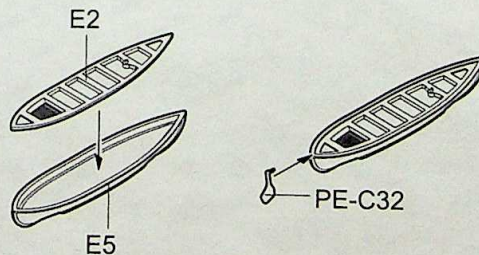
65



20

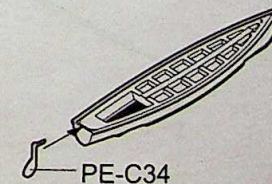
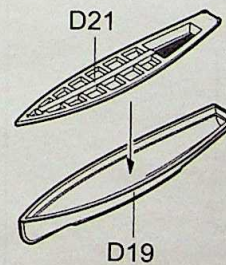


21

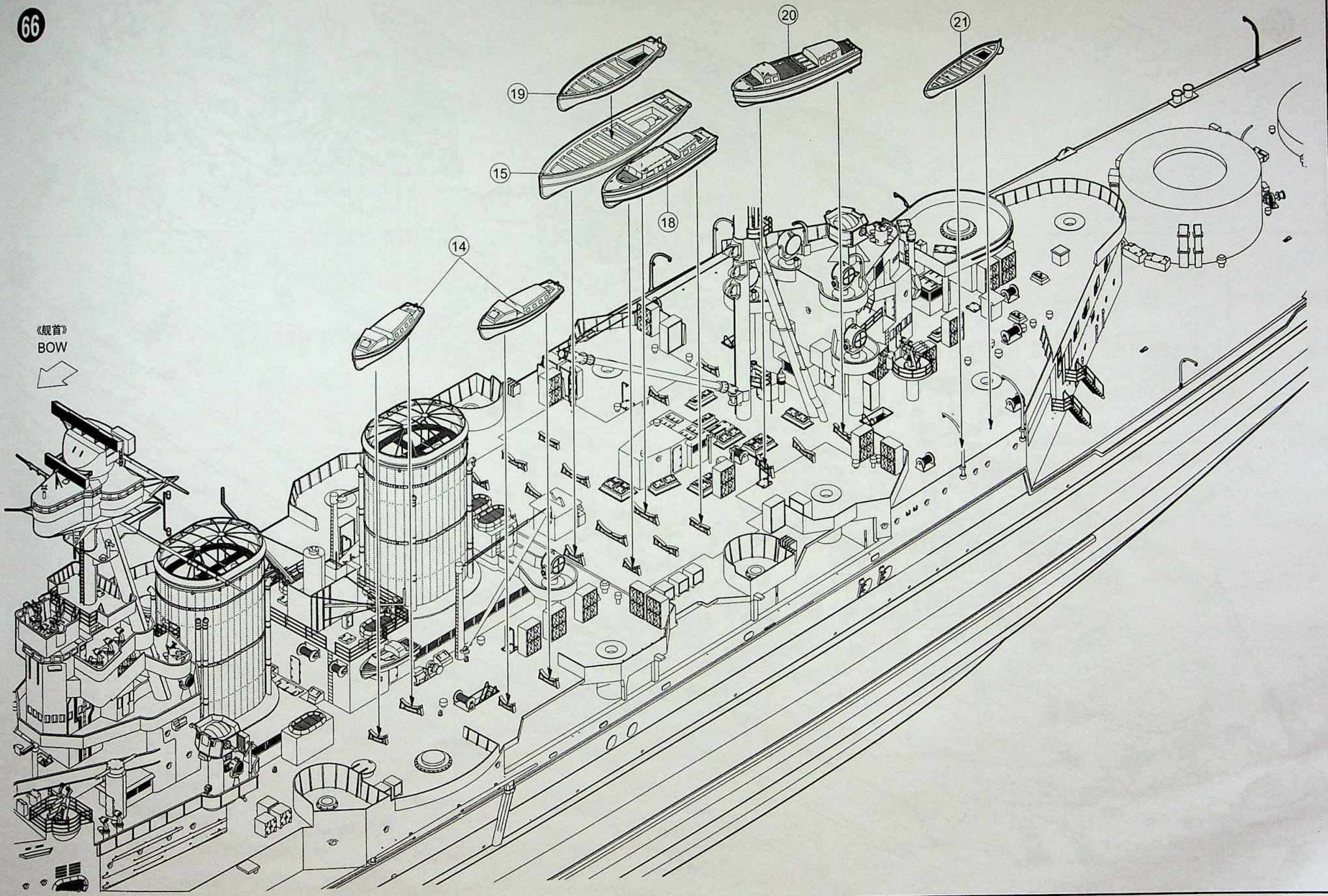


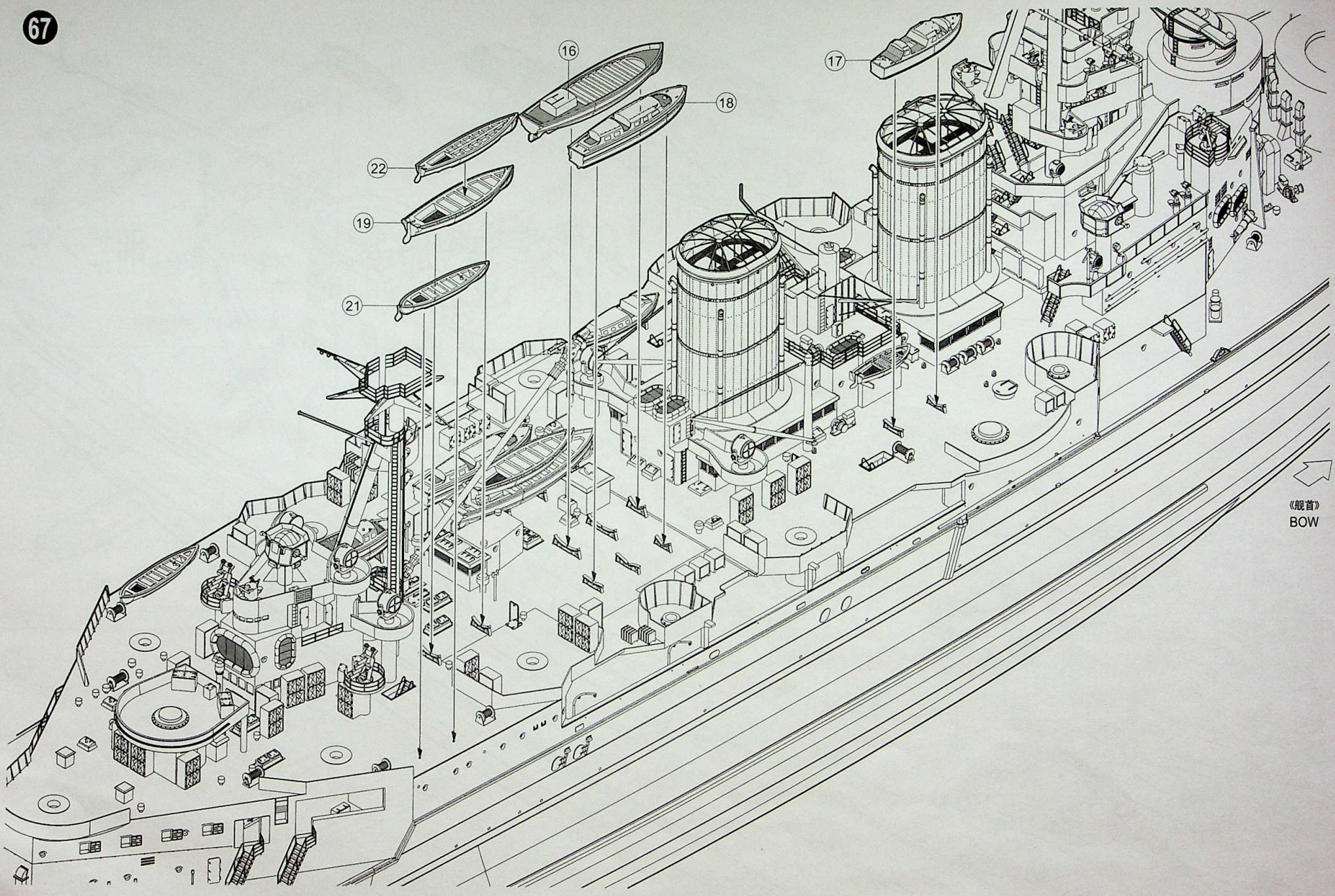
制作2套
Make two

22



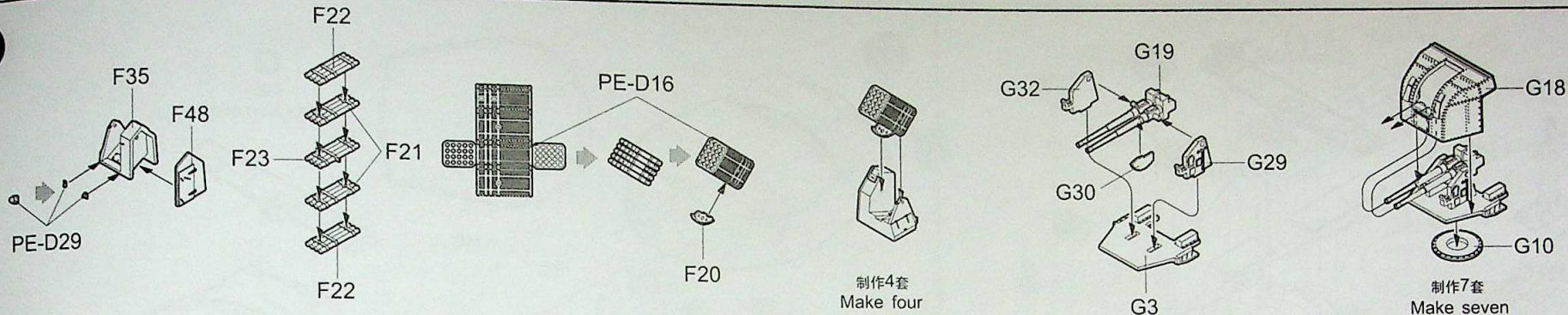
《舰首》
BOW



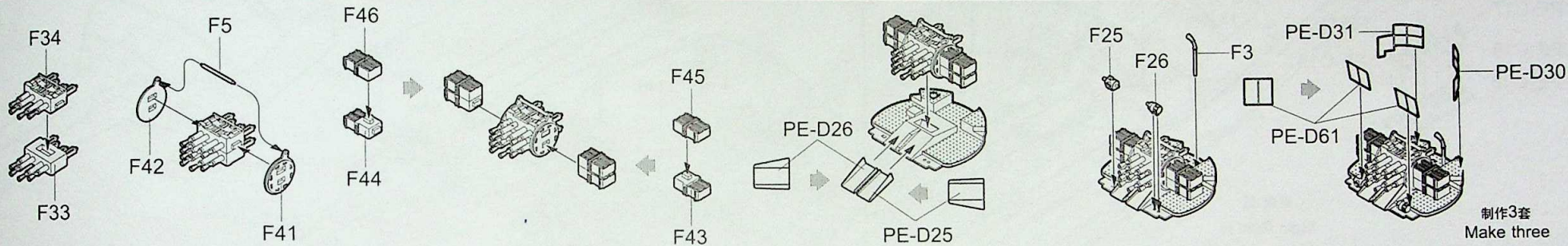


《舰首》
BOW

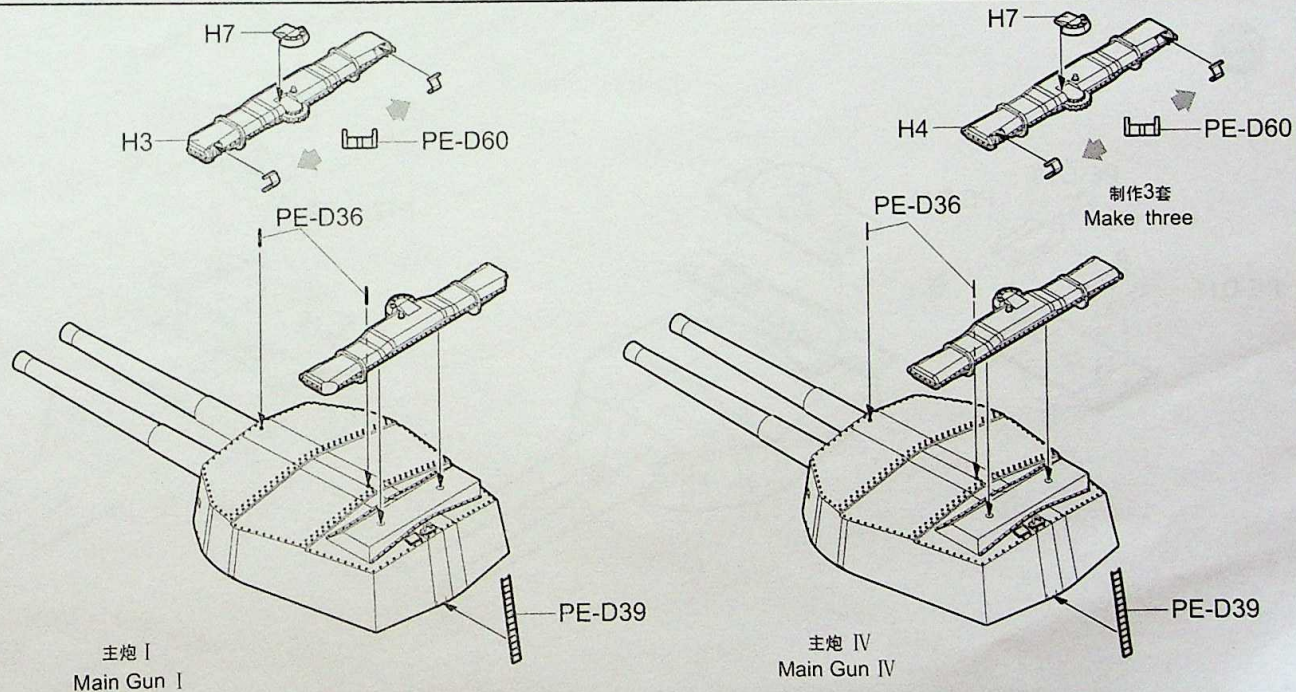
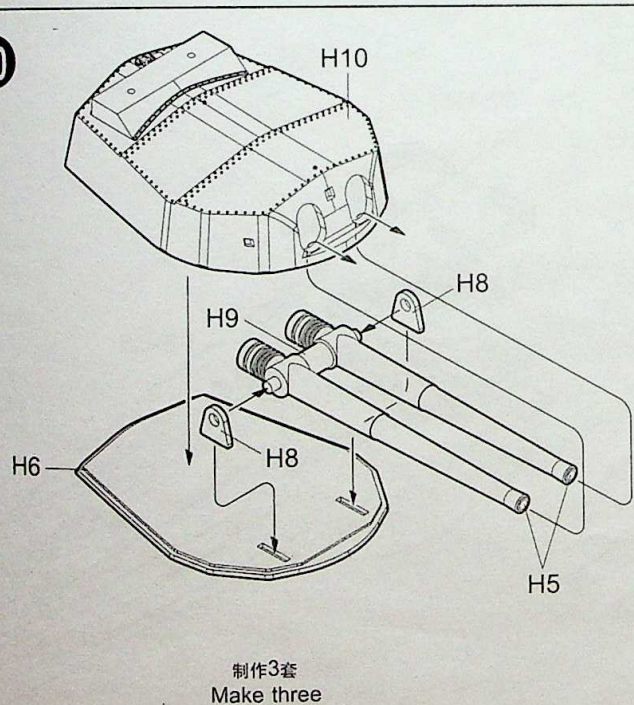
68



69



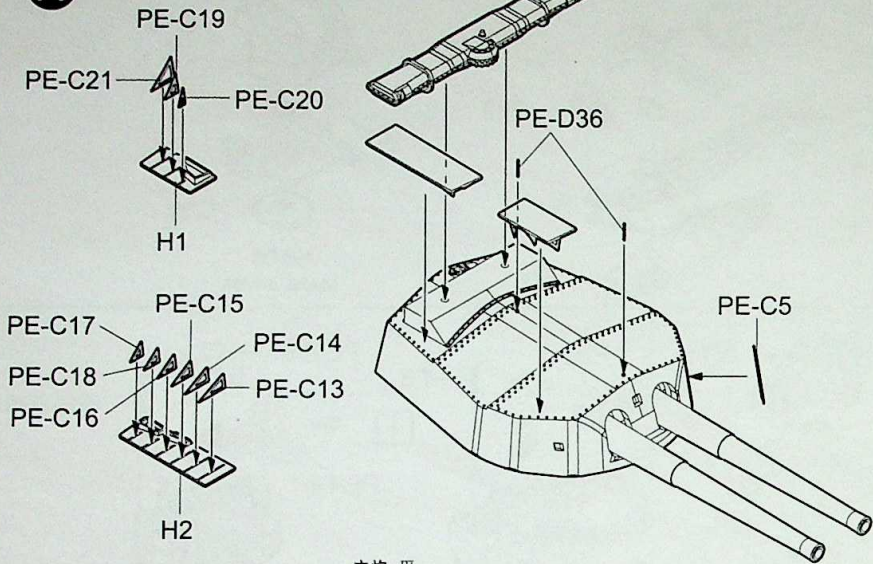
70



主炮 I
Main Gun I

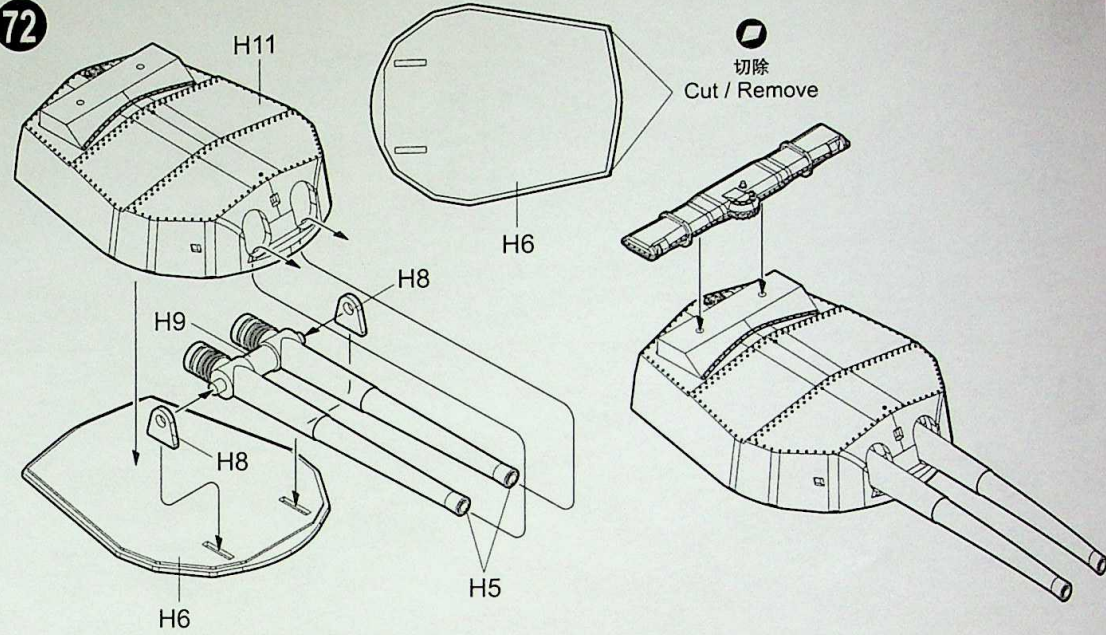
主炮 IV
Main Gun IV

71

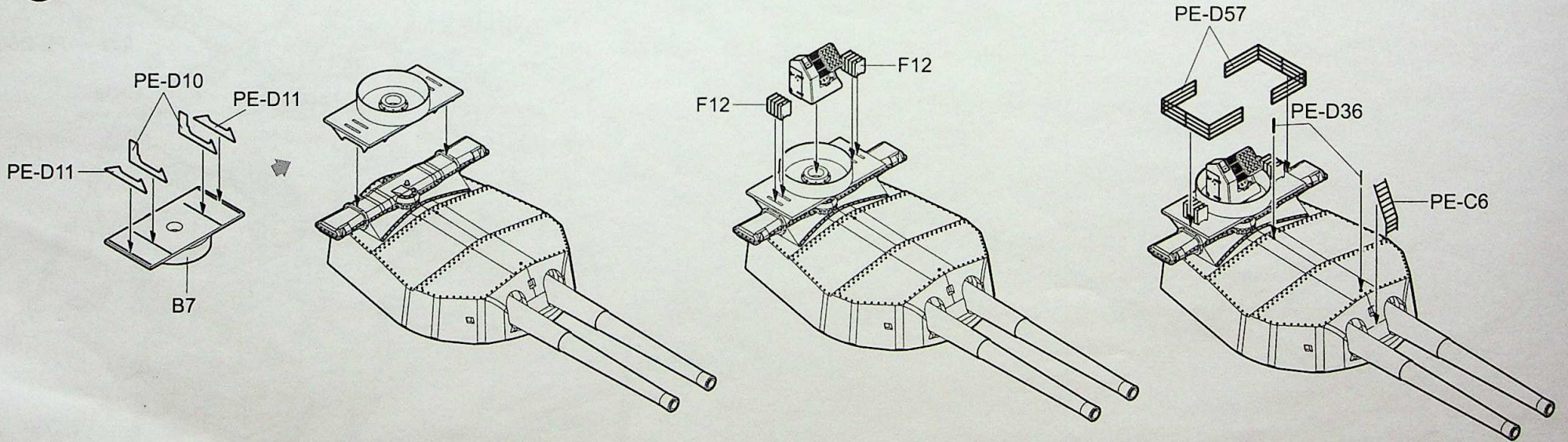


主炮 III
Main Gun III

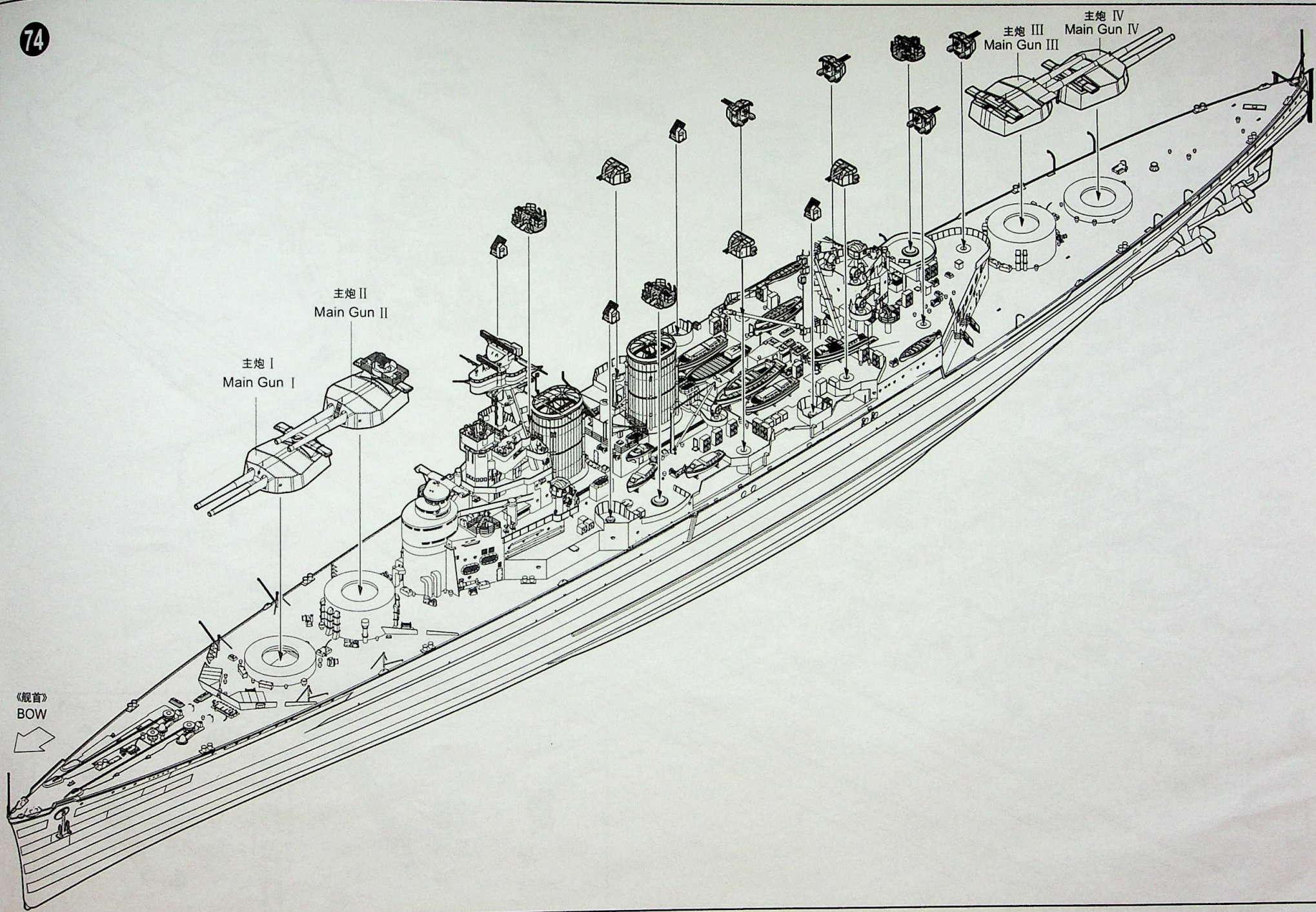
72



73



主炮 II
Main Gun II

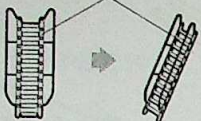


《舰首》
BOW



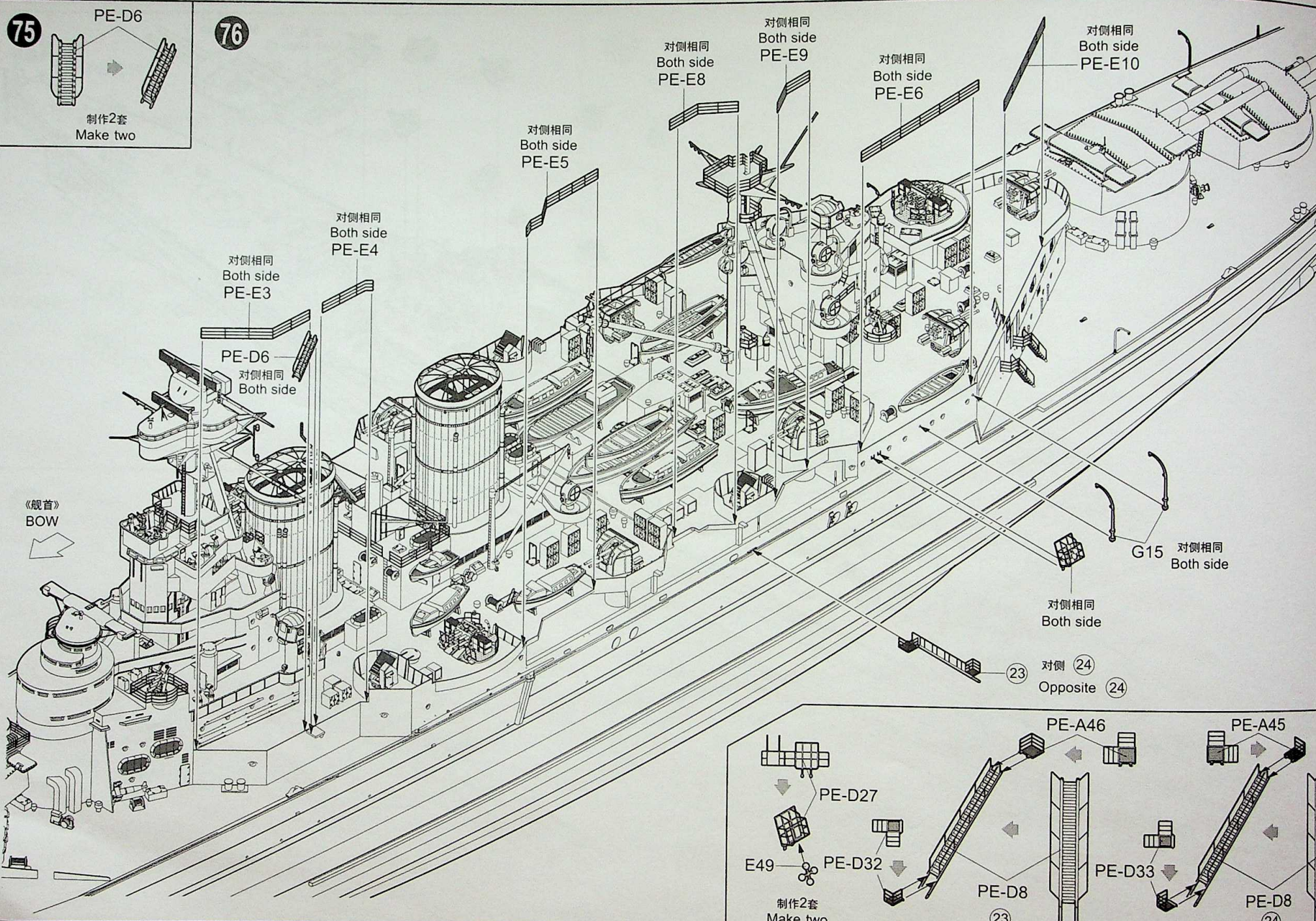
75

PE-D6



制作2套
Make two

76



《舰首》
BOW

对侧相同
Both side
PE-E3

对侧相同
Both side
PE-E4

PE-D6
对侧相同
Both side

对侧相同
Both side
PE-E5

对侧相同
Both side
PE-E8

对侧相同
Both side
PE-E9

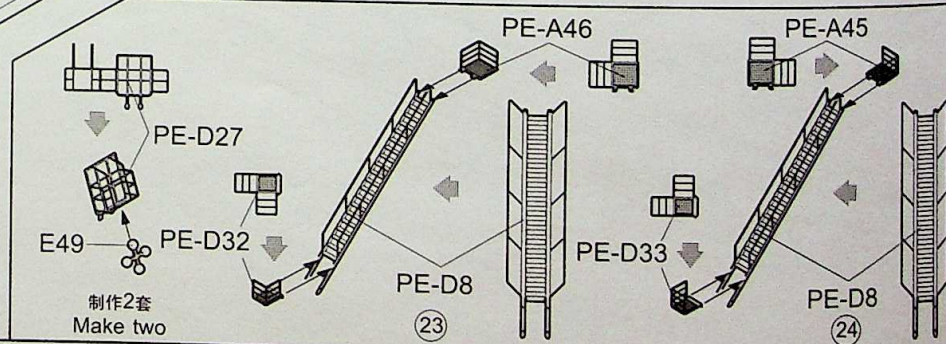
对侧相同
Both side
PE-E6

对侧相同
Both side
PE-E10

对侧相同
Both side

G15 对侧相同
Both side

对侧 (23)
Opposite (24)



E49
制作2套
Make two

(23)

(24)

