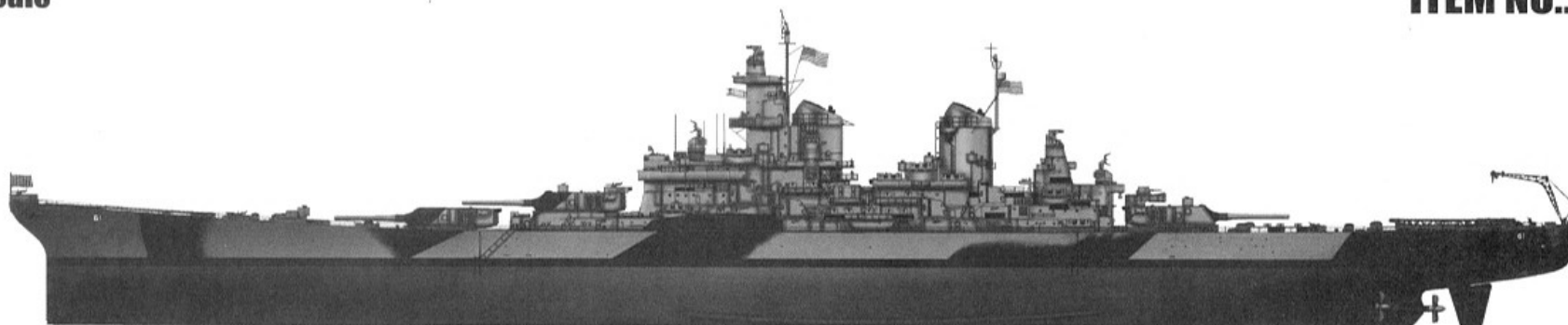


1/200 scale

ITEM NO.:03706



USS Iowa BB-61

美国“衣阿华”号战列舰BB-61

READ BEFORE ASSEMBLY:

- This kit is not recommended for inexperienced modelers or for children under 14 years of age
- Study and understand these instructions thoroughly before beginning assembly
- When needed, remove photo-etch parts carefully using a modeling knife or photo etch sprue cutter, being careful not to damage or lose small parts.
- Take extra care in handling photo etch parts in order to avoid injury
- Apply instant cement sparingly to photo etch parts where instructed

- Tools recommended(not included in kit):Plastic and instant cements,sprue cutters,long nose pliers,,modeling knife, small files, tweezers, pin vise & scissors. Soft cloth and sandpaper will also assist in construction
- Glue and paint are not included in the kit. Use plastic cement and hobby paints only. Color guide for purchasing paint is included in the kit.
- Keep out of reach of small children. They must not be allowed to ingest small parts or handle plastic bags in any way.

装配之前仔细阅读

- 小心用模型锉刀锉平所有零件表面的注射浇口。
- 小心用刀片切下蚀刻片零件，不要遗失小零件。
- 用强力快干胶水粘合蚀刻片零件和金属轴。过量的快干胶水使用可能导致可动零件会粘住，小心涂胶。
- 取蚀刻片时应特别注意安全，防止利边划伤手指。
- 某些零件表面需贴上水贴纸，请选择在装配的同时进行。
- 推荐模型工具(自备)：胶水，水口剪刀，长咀钳，刀片，锉刀，镊子钳，钻，剪刀，瞬间快干胶。
- 软布同砂纸同时也应该是必备工具。
- 请使用塑料胶水和油漆，模型内不含。
- 谨防小孩吸吮塑料零件，或者将塑料袋套在头上，制作时应将套材远离小孩接触。
- 本产品不适合14岁以下没有经验的模型爱好者。

水贴纸的使用:

1. 从水贴上剪下印花;
2. 将印花放入温水中浸10秒, 然后放在干净布上.
3. 拿着印花纸板将印花移到模型上;
4. 手指蘸水将印花移到适当的位置;
5. 用软布轻压印花直至水干, 汽泡消失.

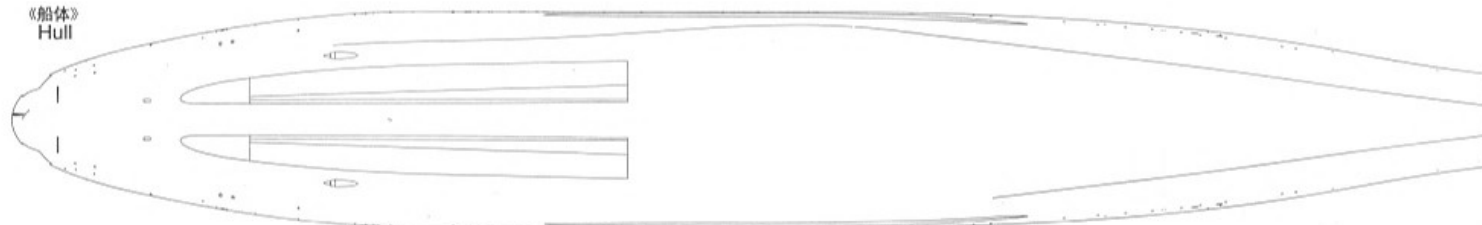
DECAL APPLICATION:

1. Cut decals from sheet as needed
2. Dip the decal in warm water for about 10 seconds and then place on soft clean cloth.
3. Hold the decal backing sheet edge and gently slide the decal onto the model in its proper position.
4. While still wet, decal can be adjusted for better fit on model by dampening it gently with your finger.
5. When placed in the proper position, gently press decal down with a soft cloth until excess water and air bubbles are gone.
6. Allow decal to dry completely before handling model

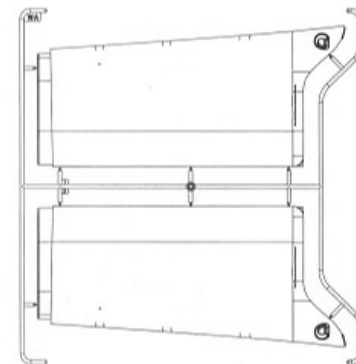


部品图
Parts

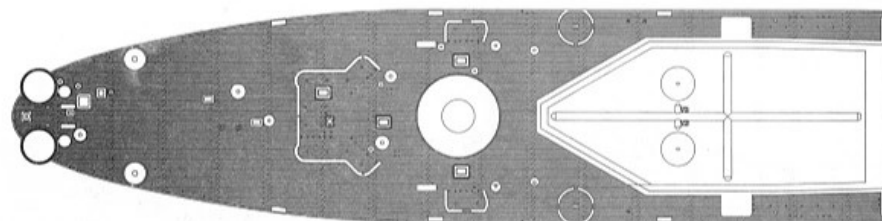
《船体》
Hull



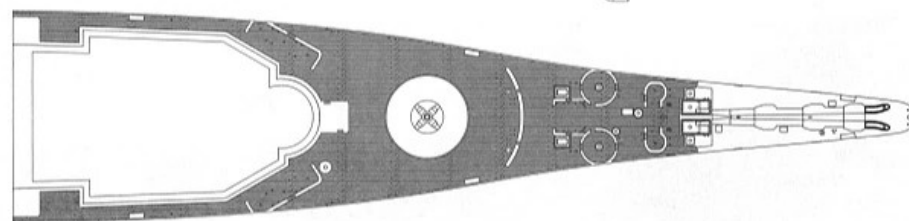
WA



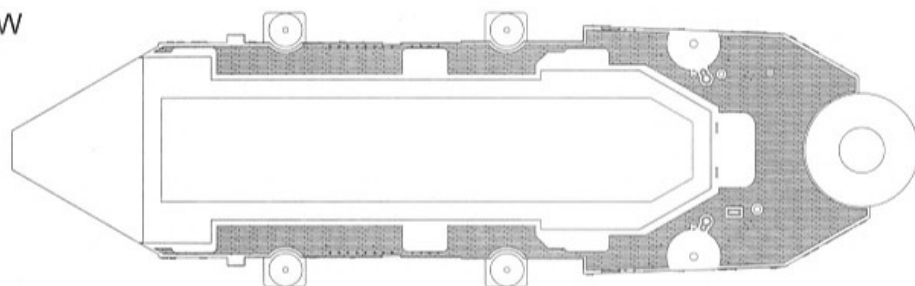
《后甲板》
Rear deck



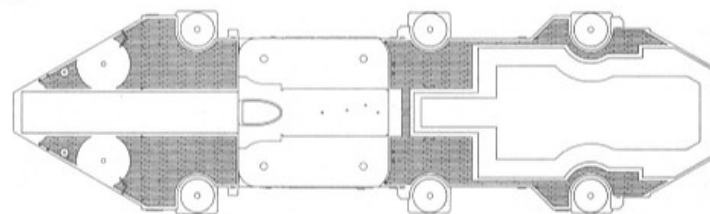
《前甲板》
Fore deck



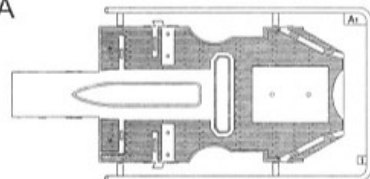
W



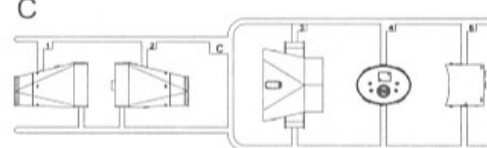
X



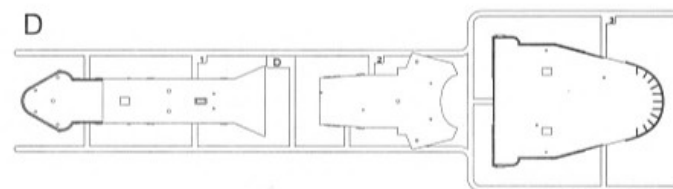
A

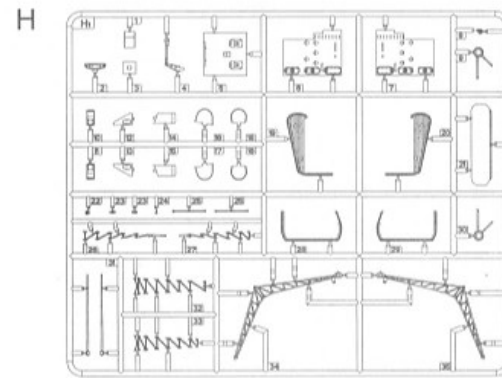
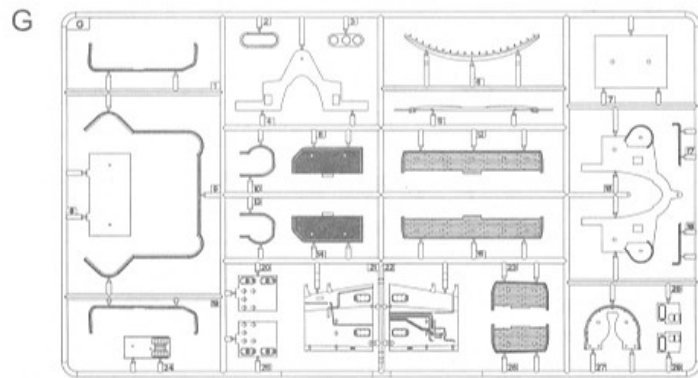
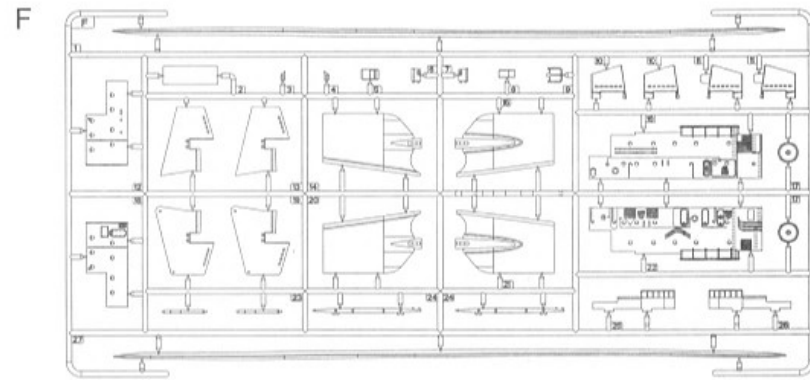
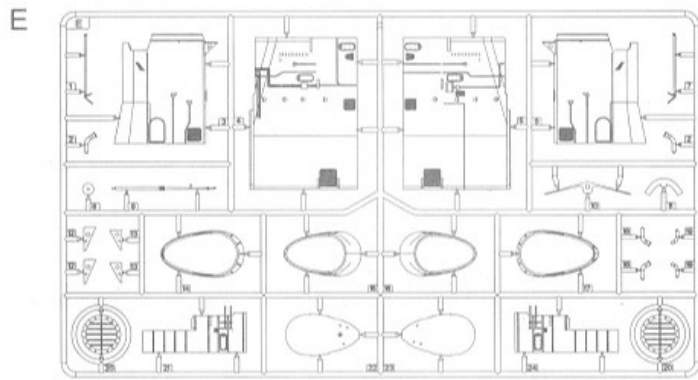


C



D





《螺旋桨》1
Propeller 1



《螺旋桨》4
Propeller 4



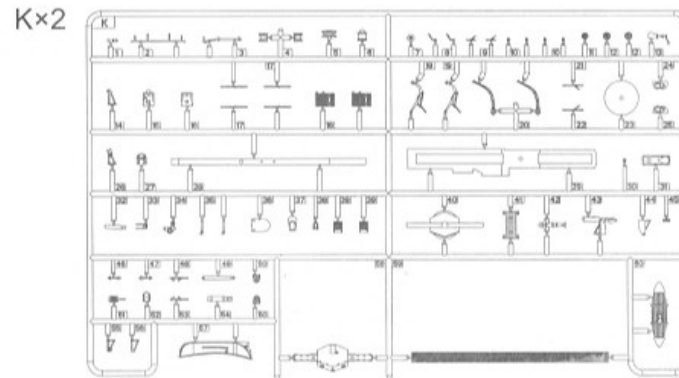
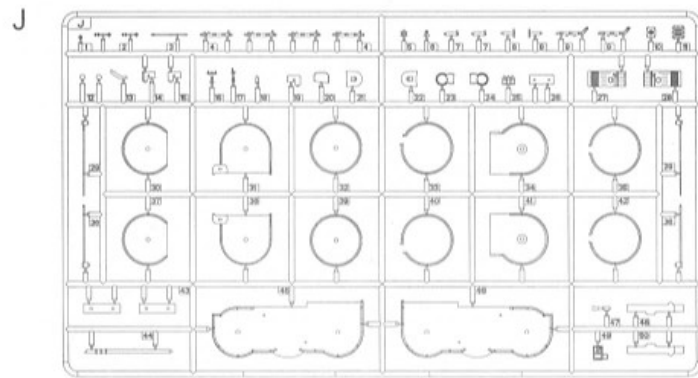
《螺旋桨》2
Propeller 2

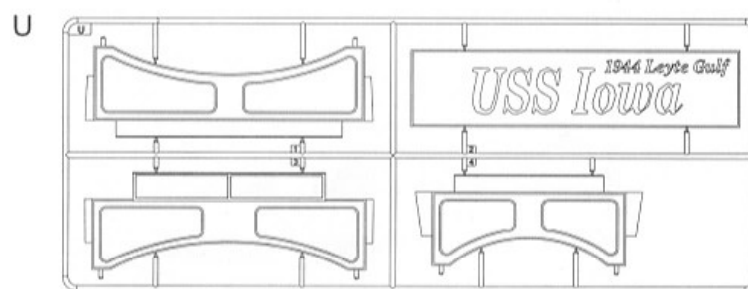
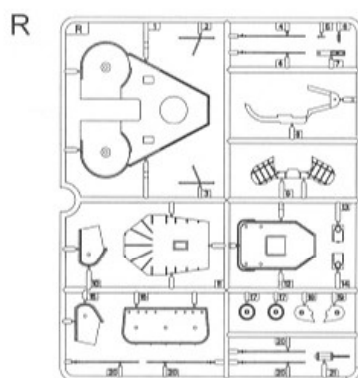
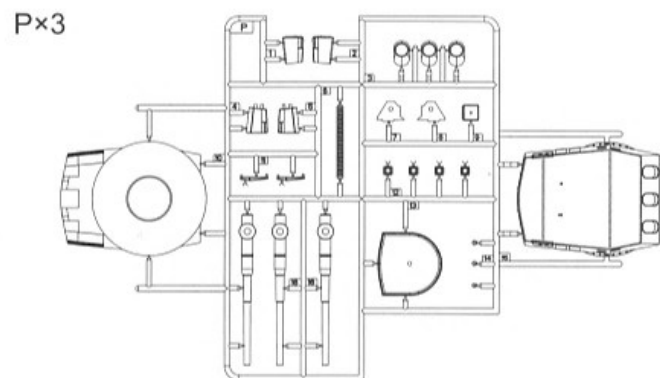
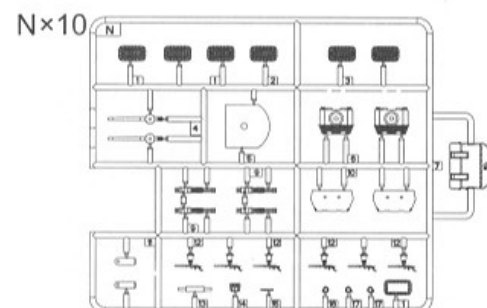
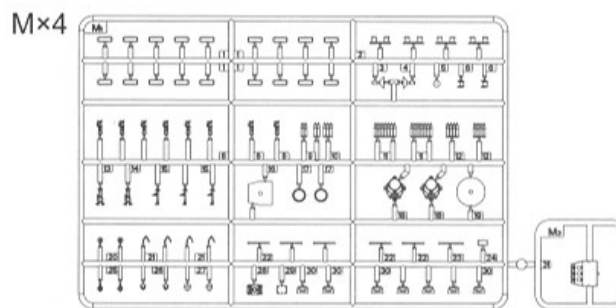
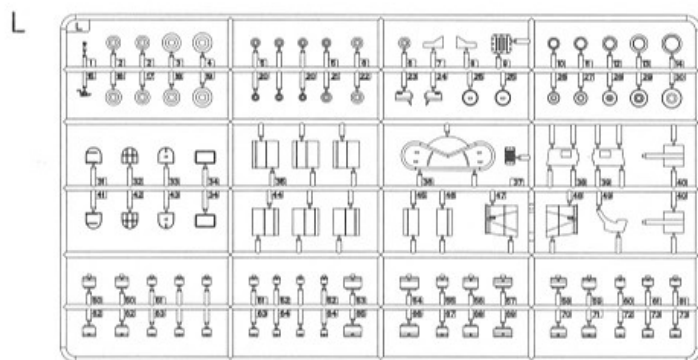


《螺旋桨》3
Propeller 3



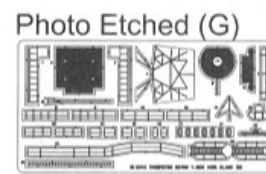
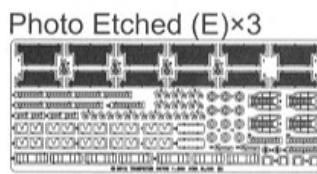
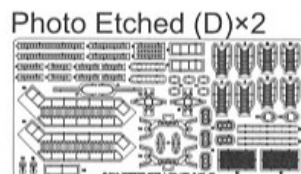
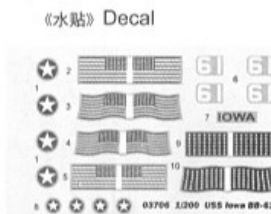
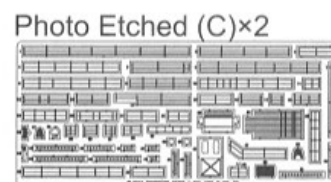
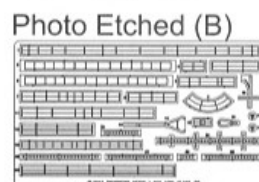
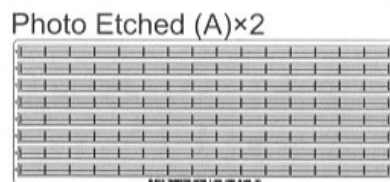
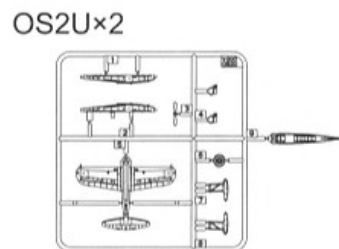
锚 × 2
Anchor



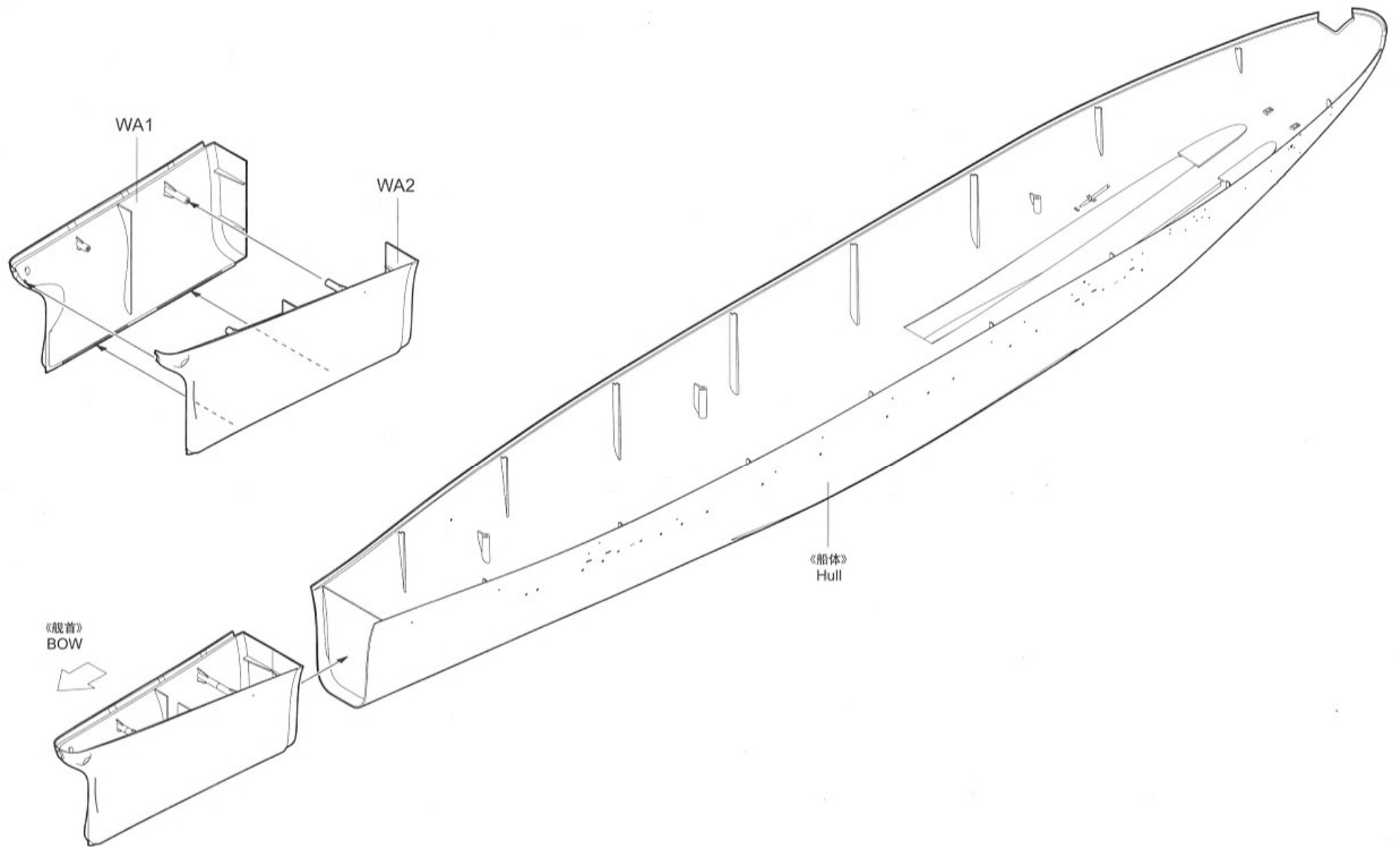


《螺旋桨轴》 $\varnothing 2.5 \times 107 \times 2$
Propeller shaft

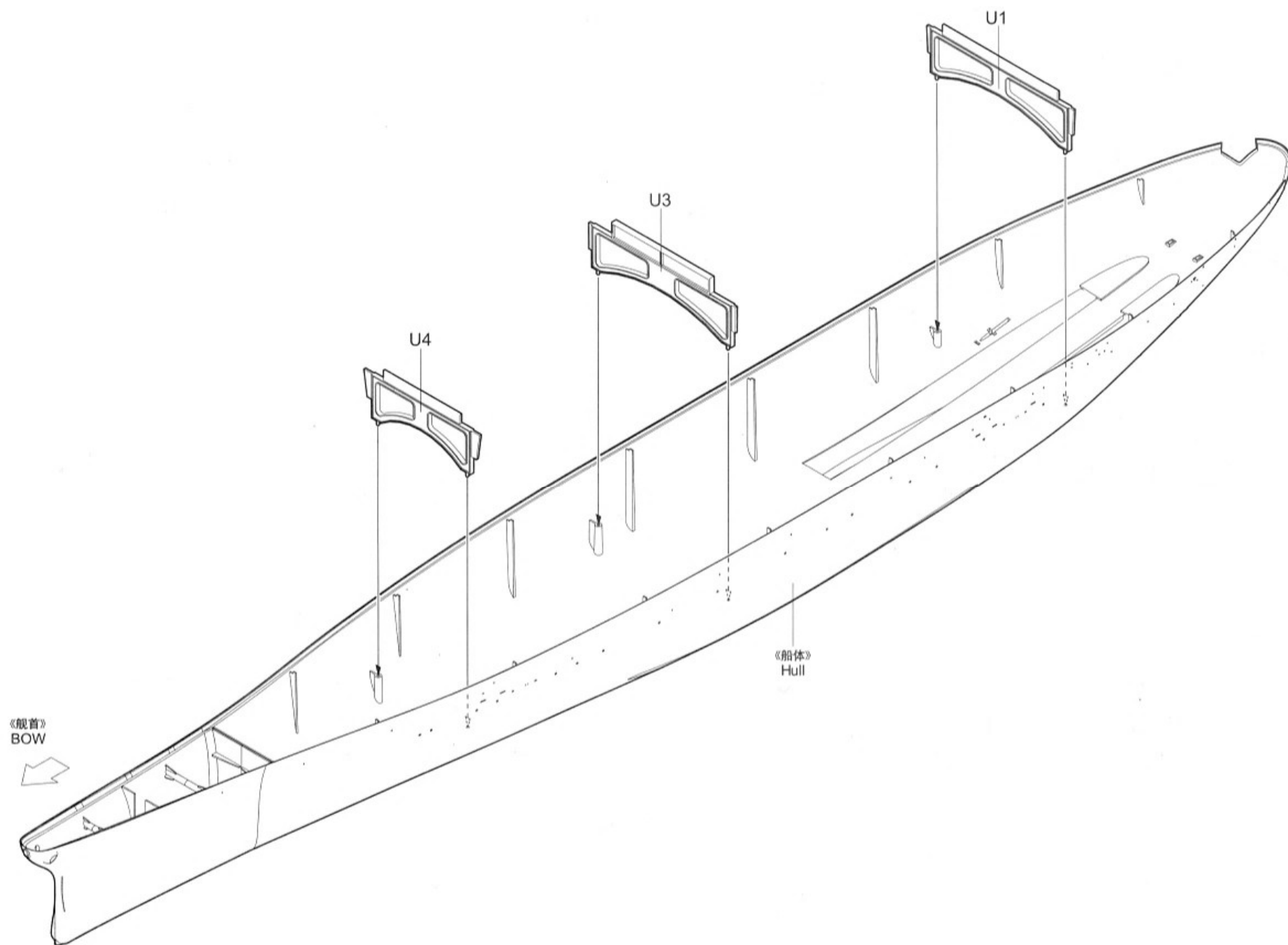
《锚链》L:500
Chain



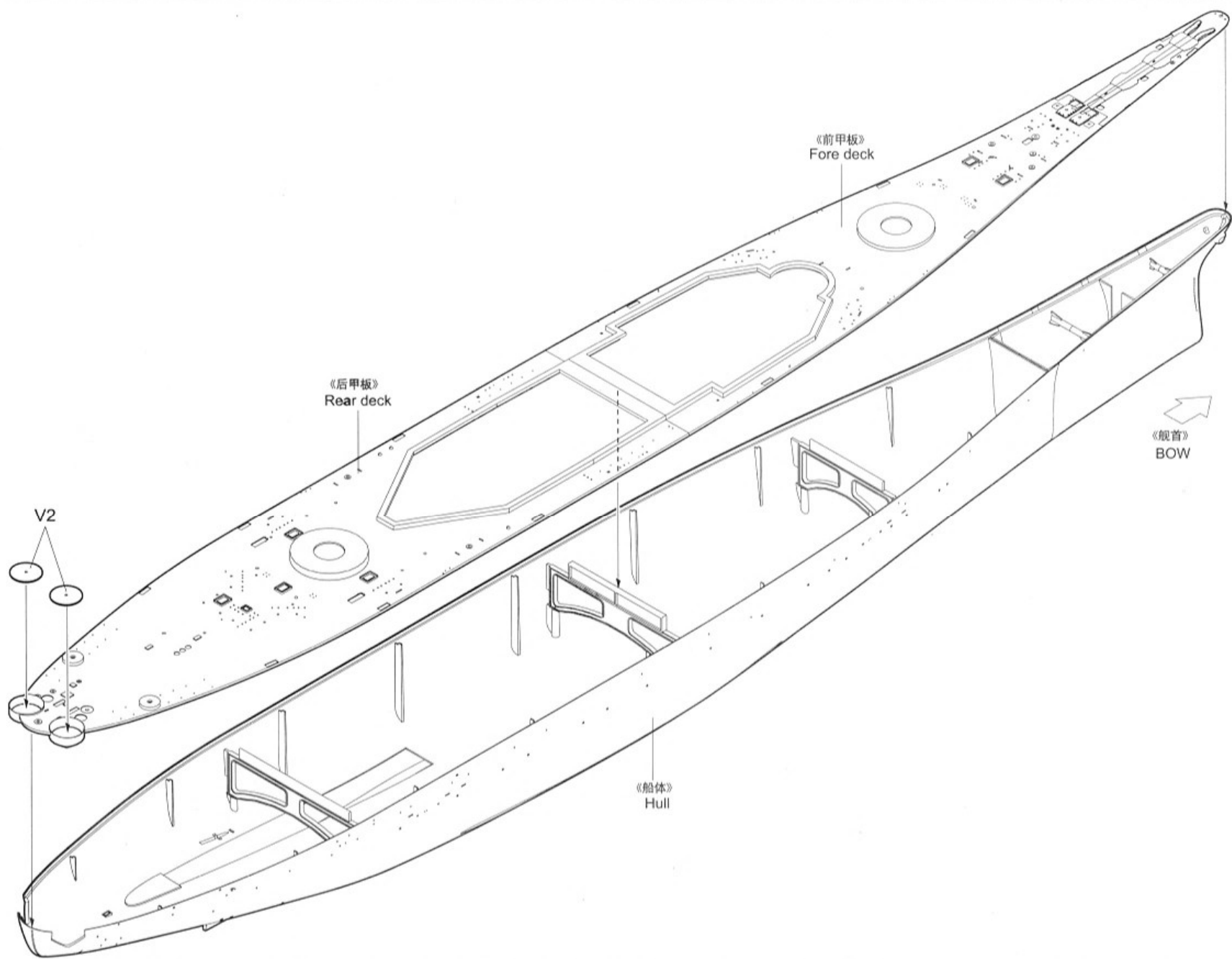
1



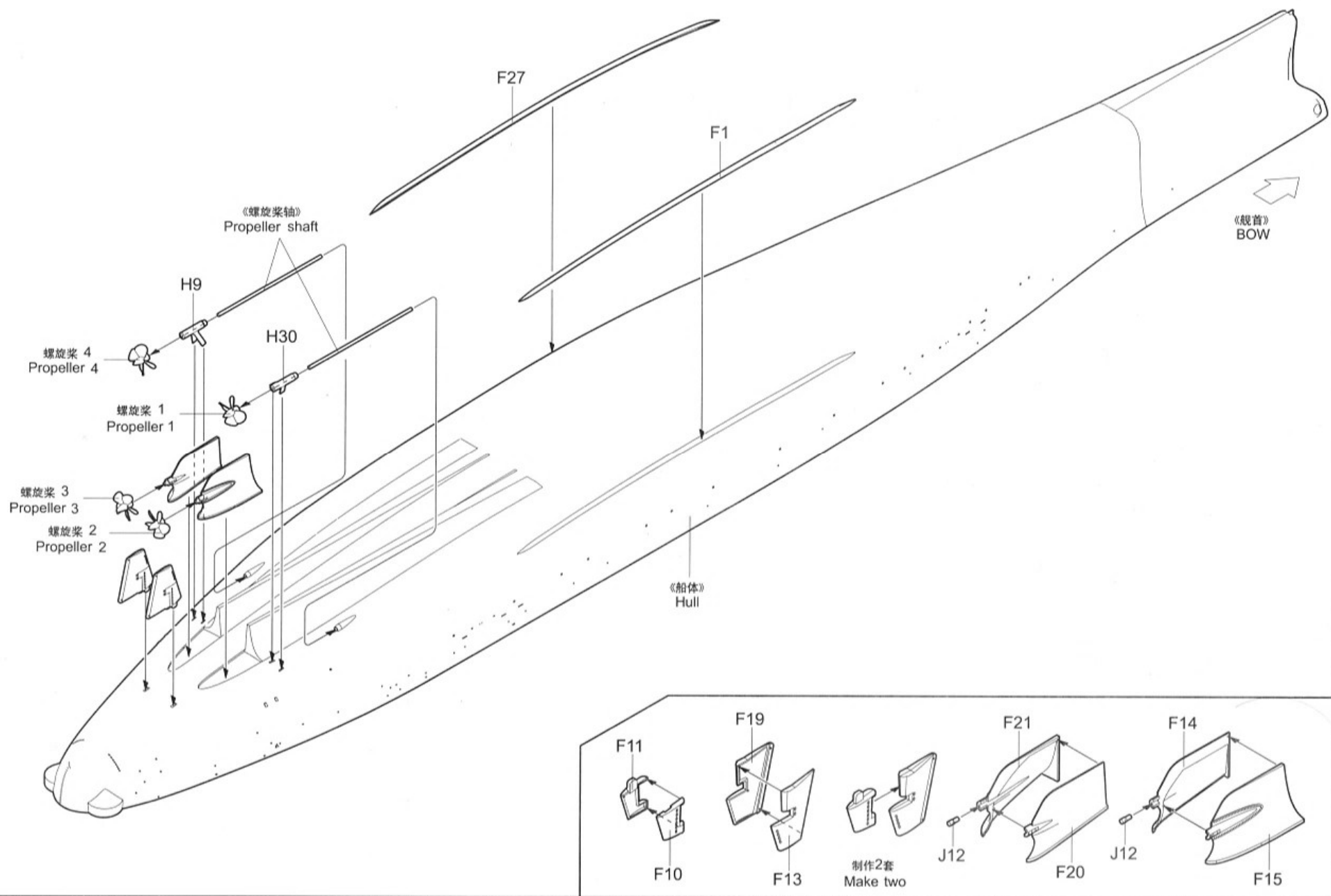
2

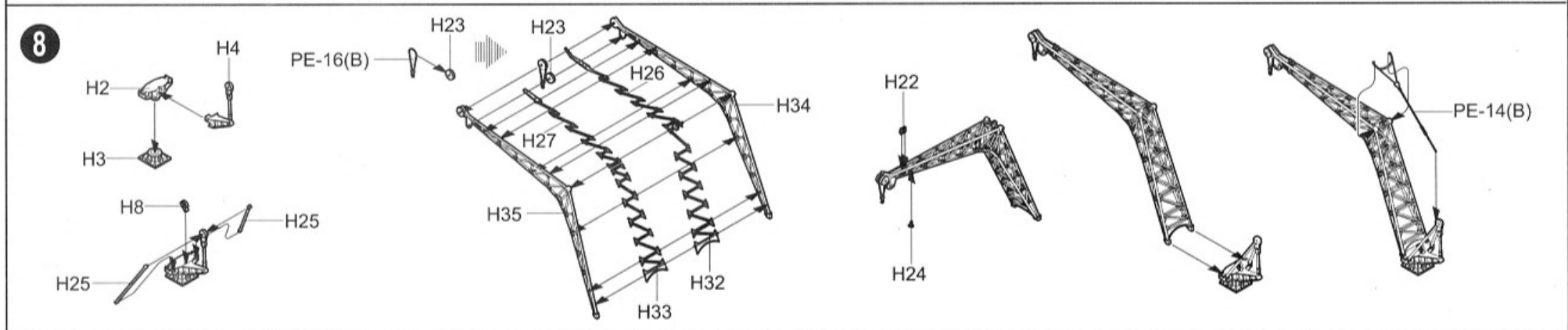
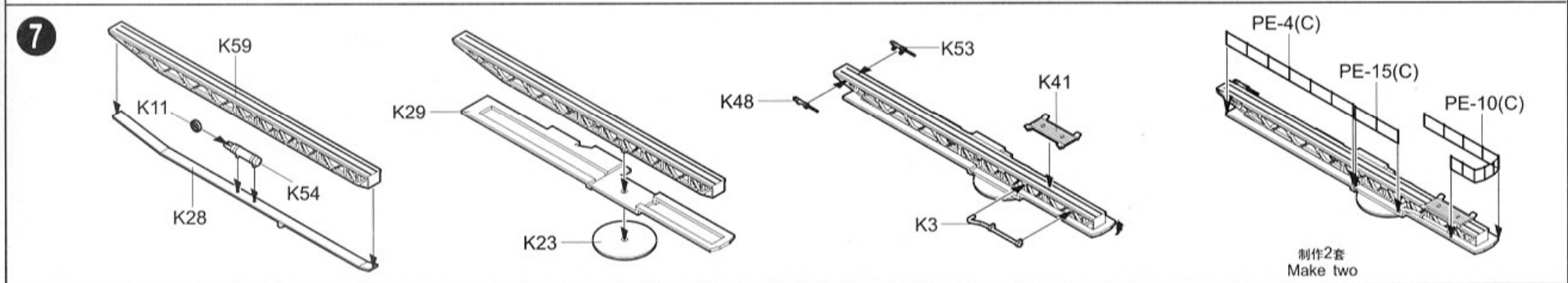
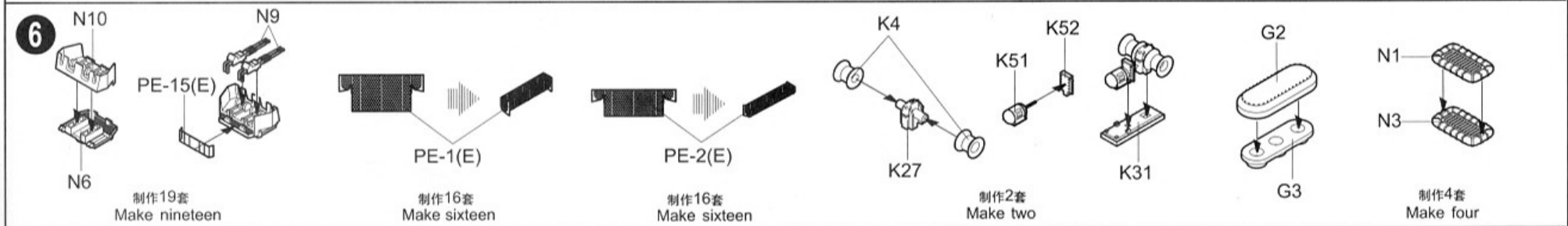
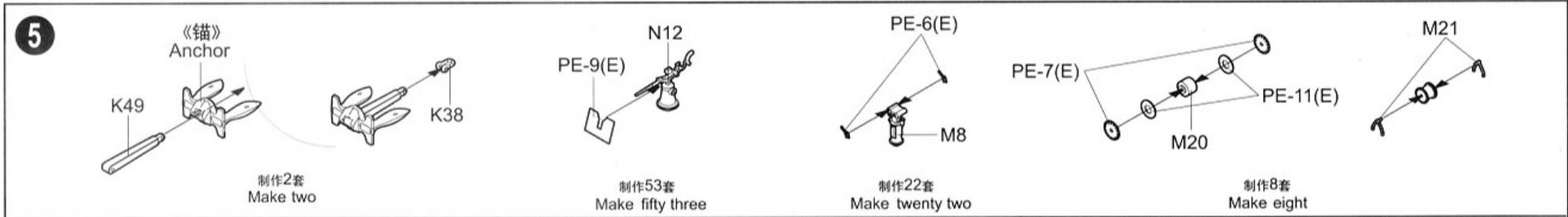


3

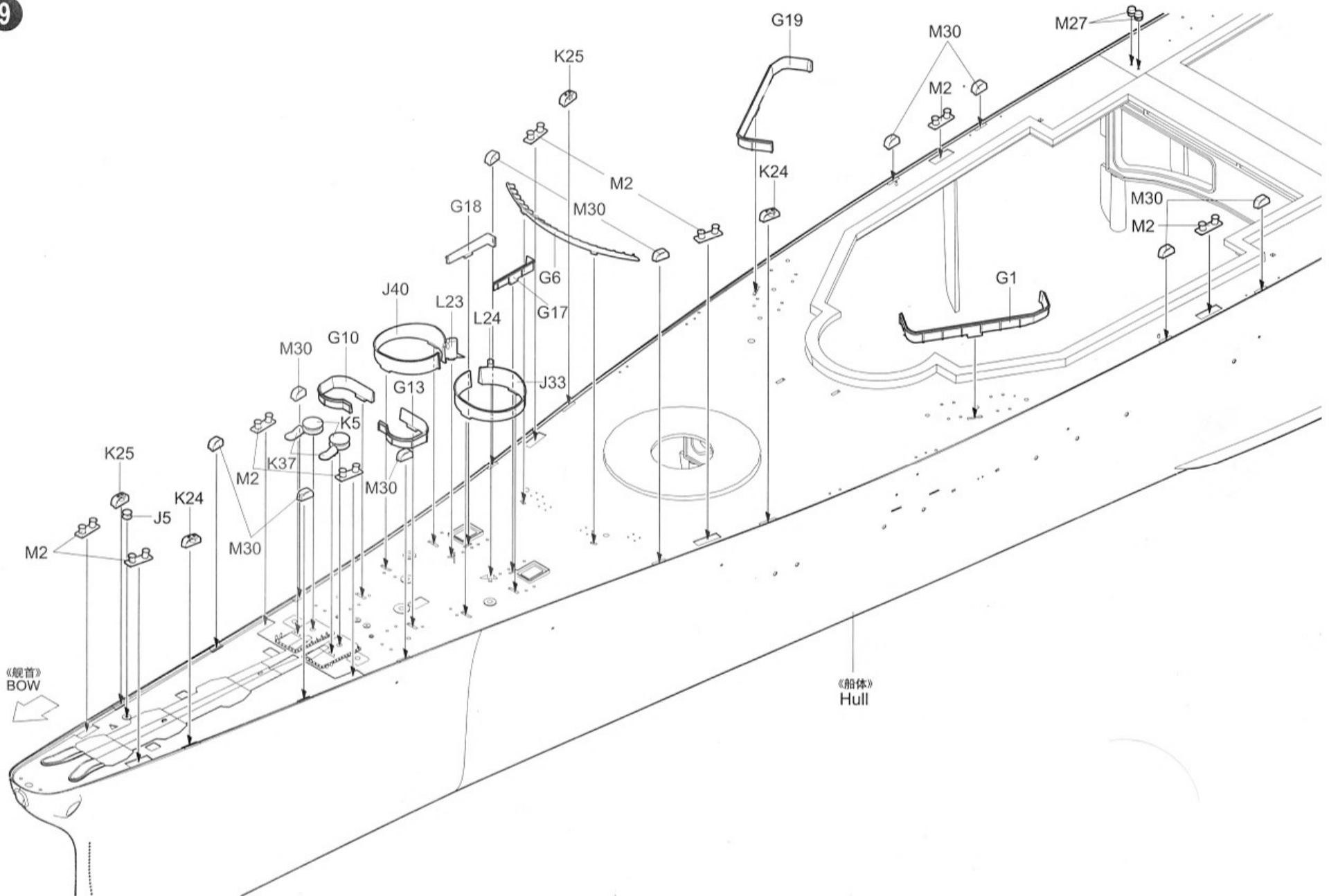


4

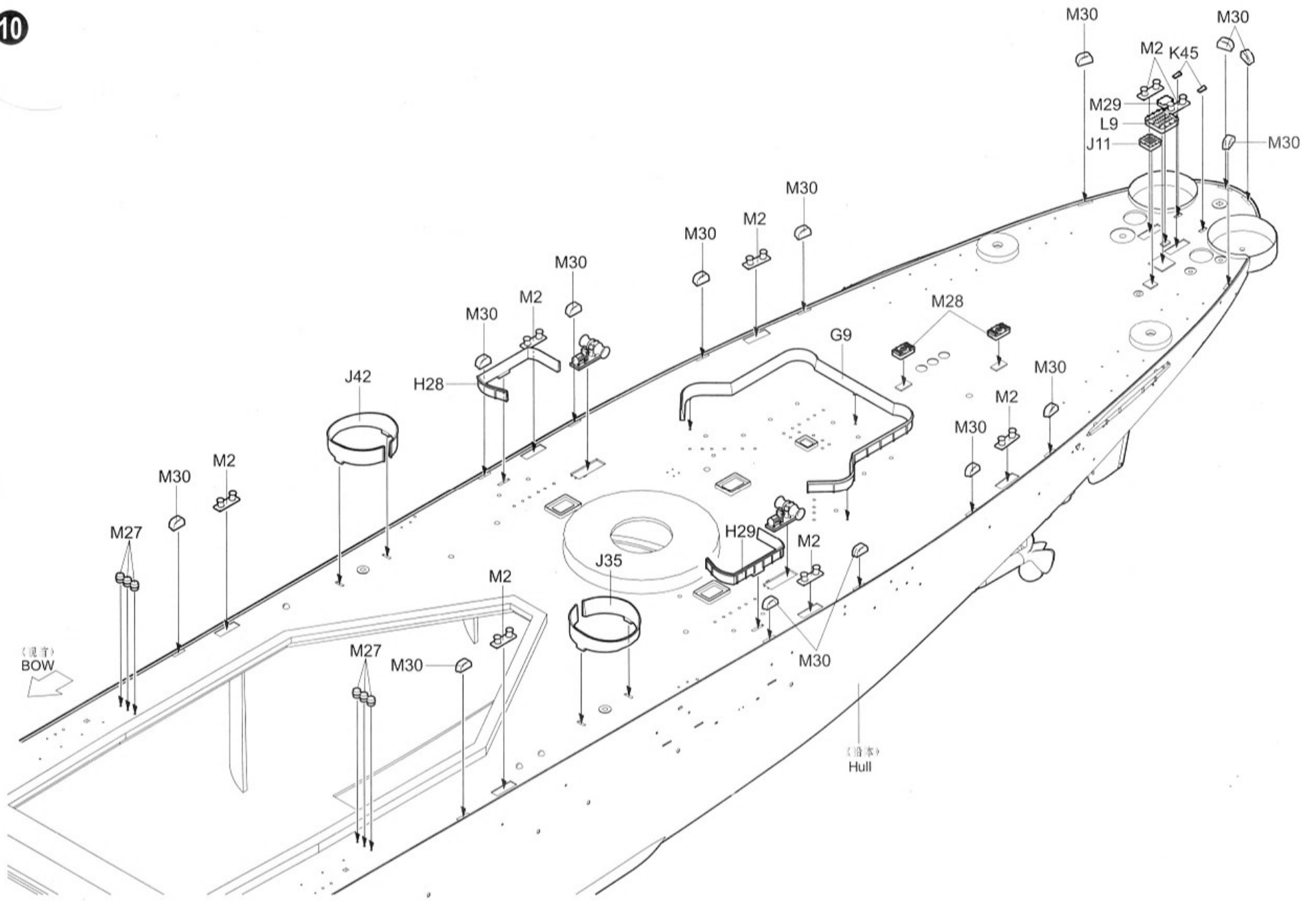


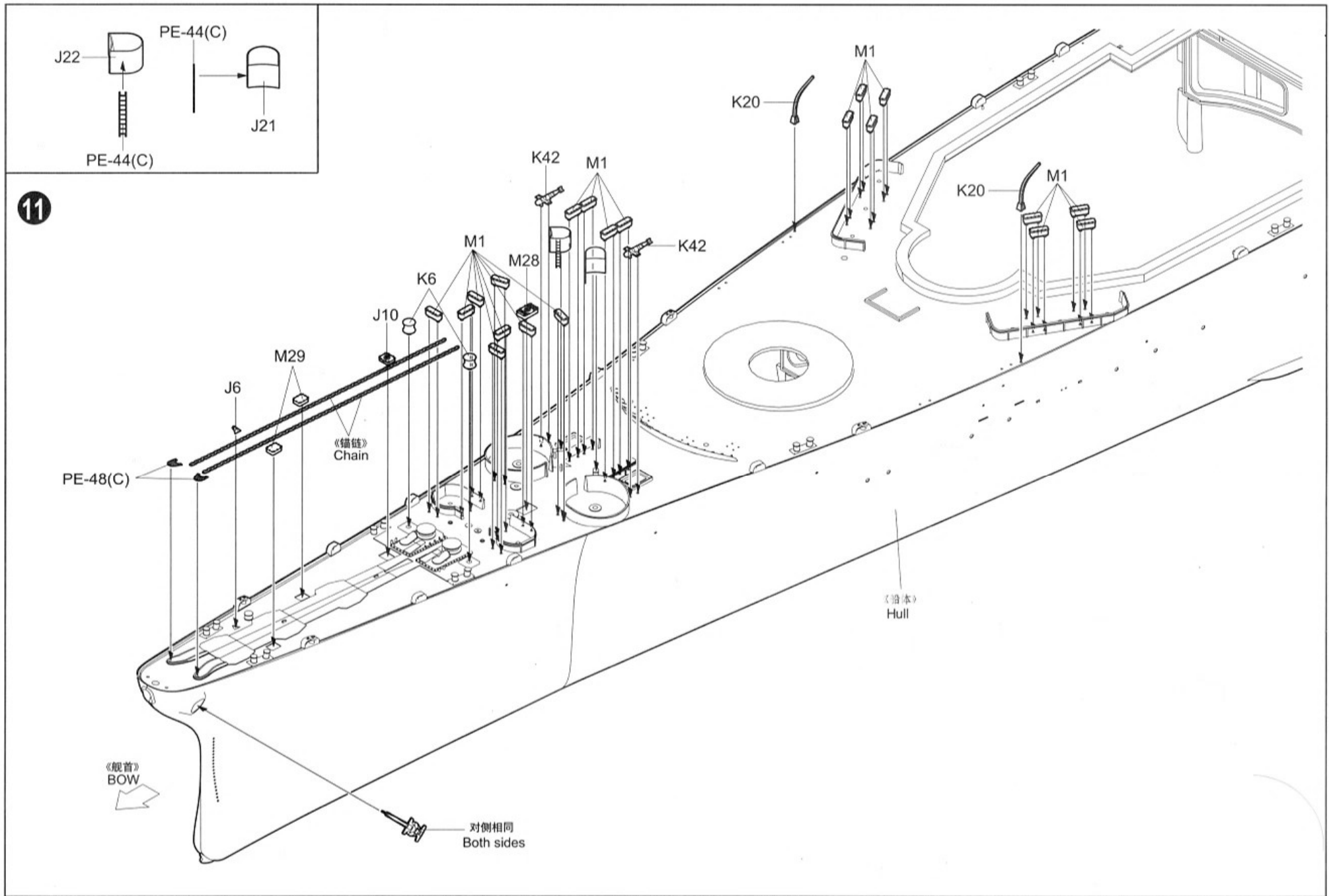


9

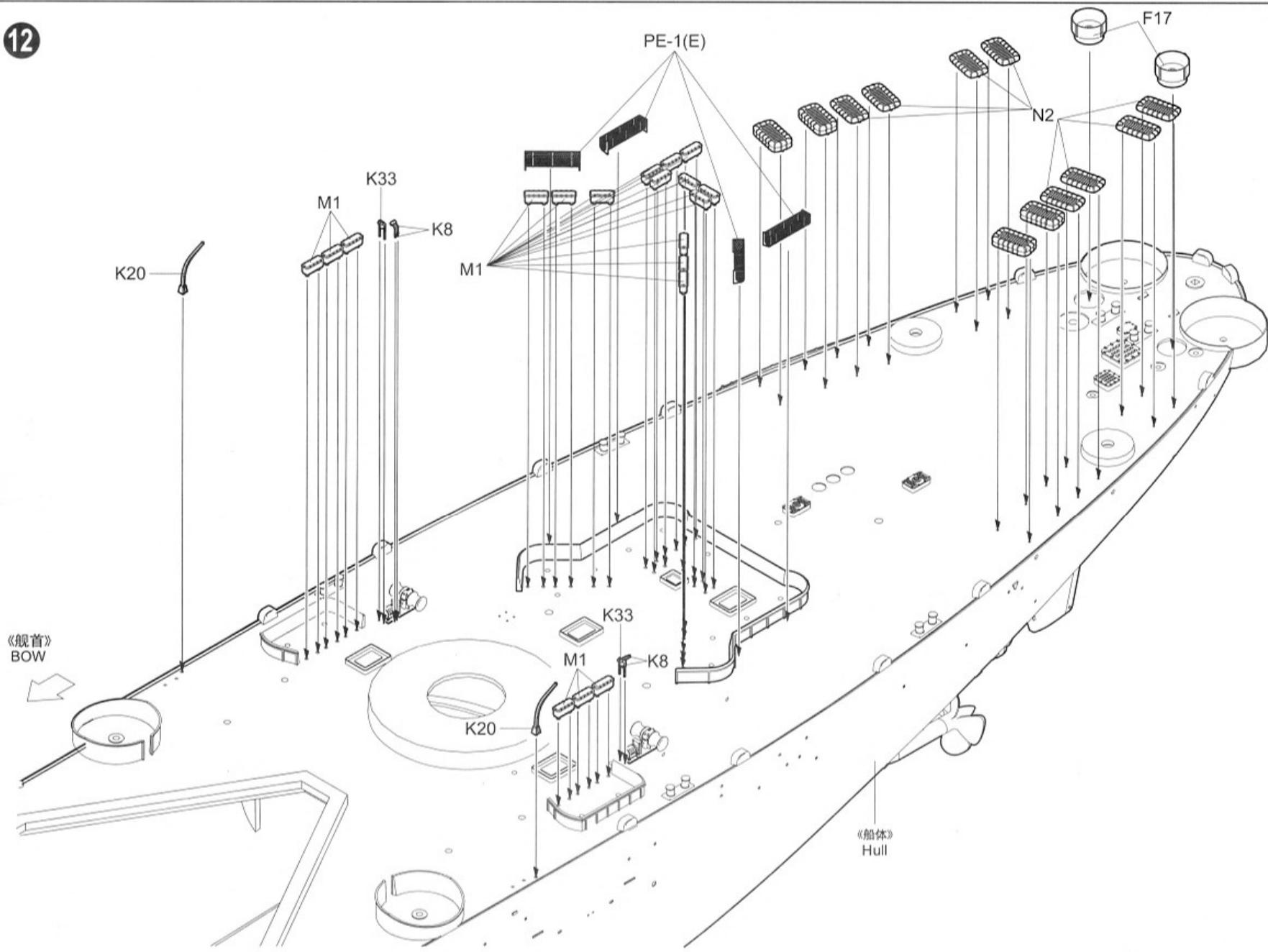


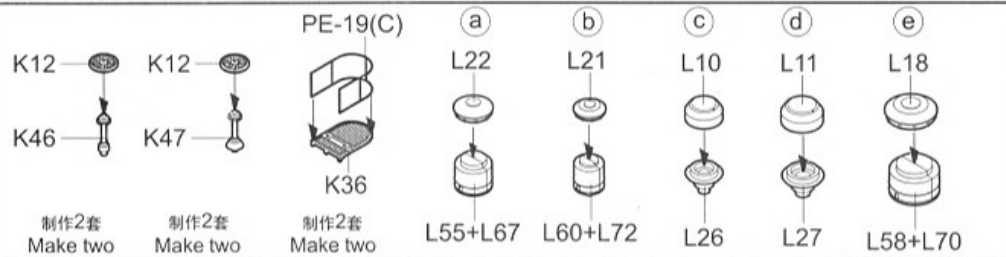
10



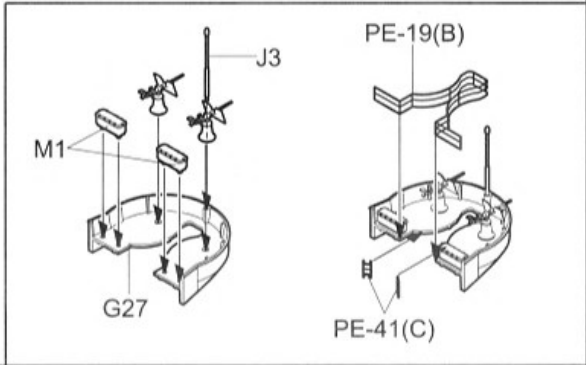
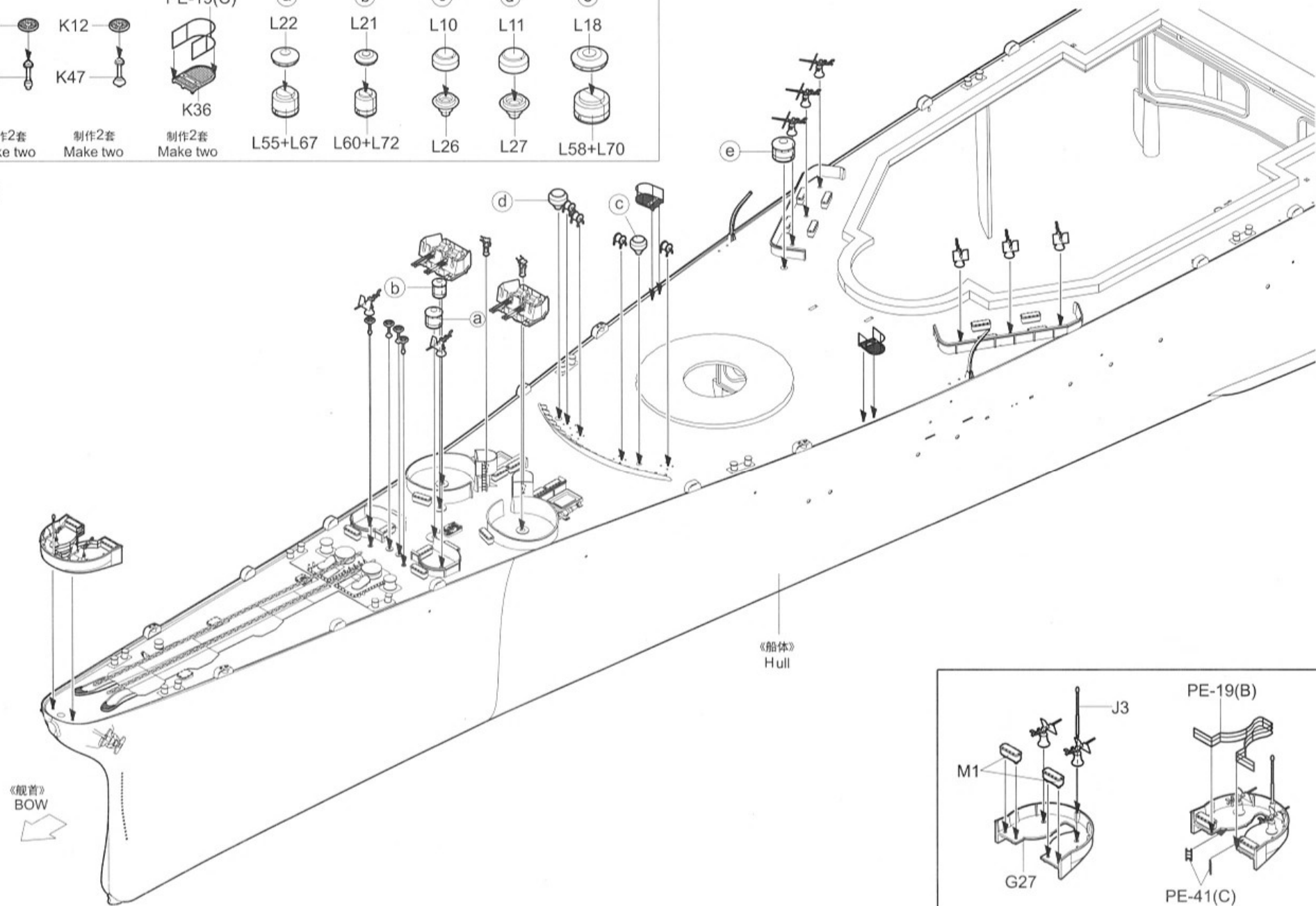


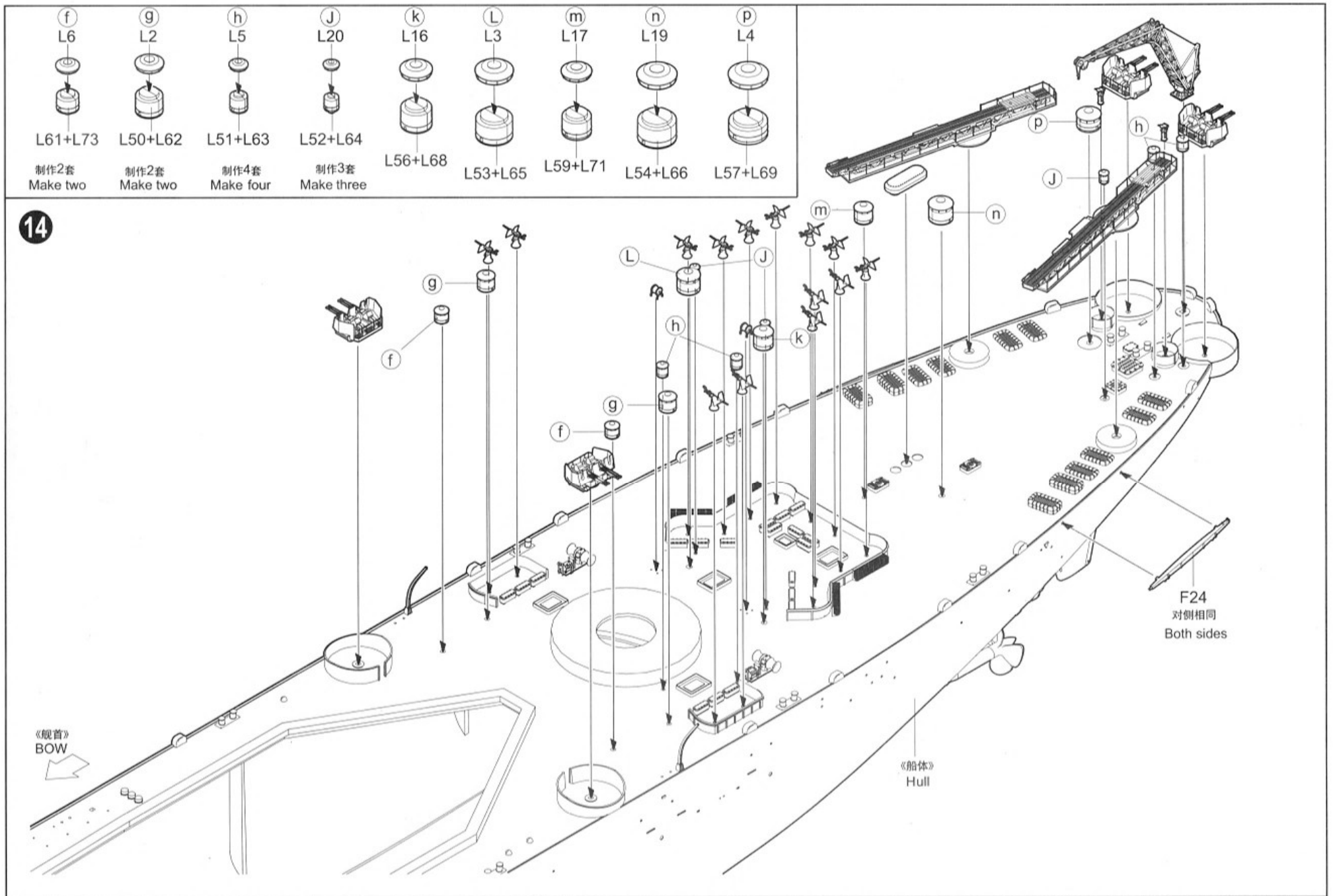
12

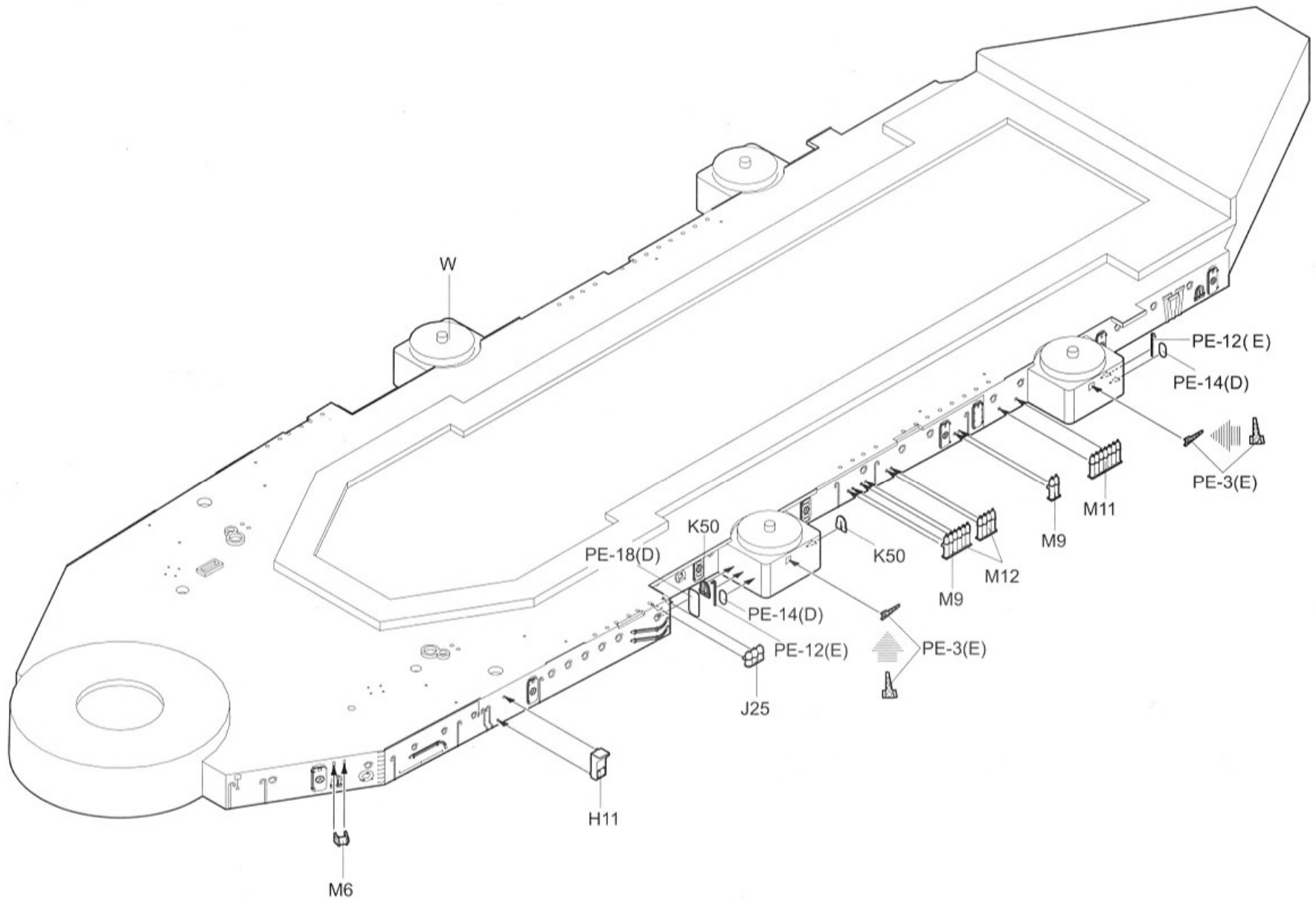




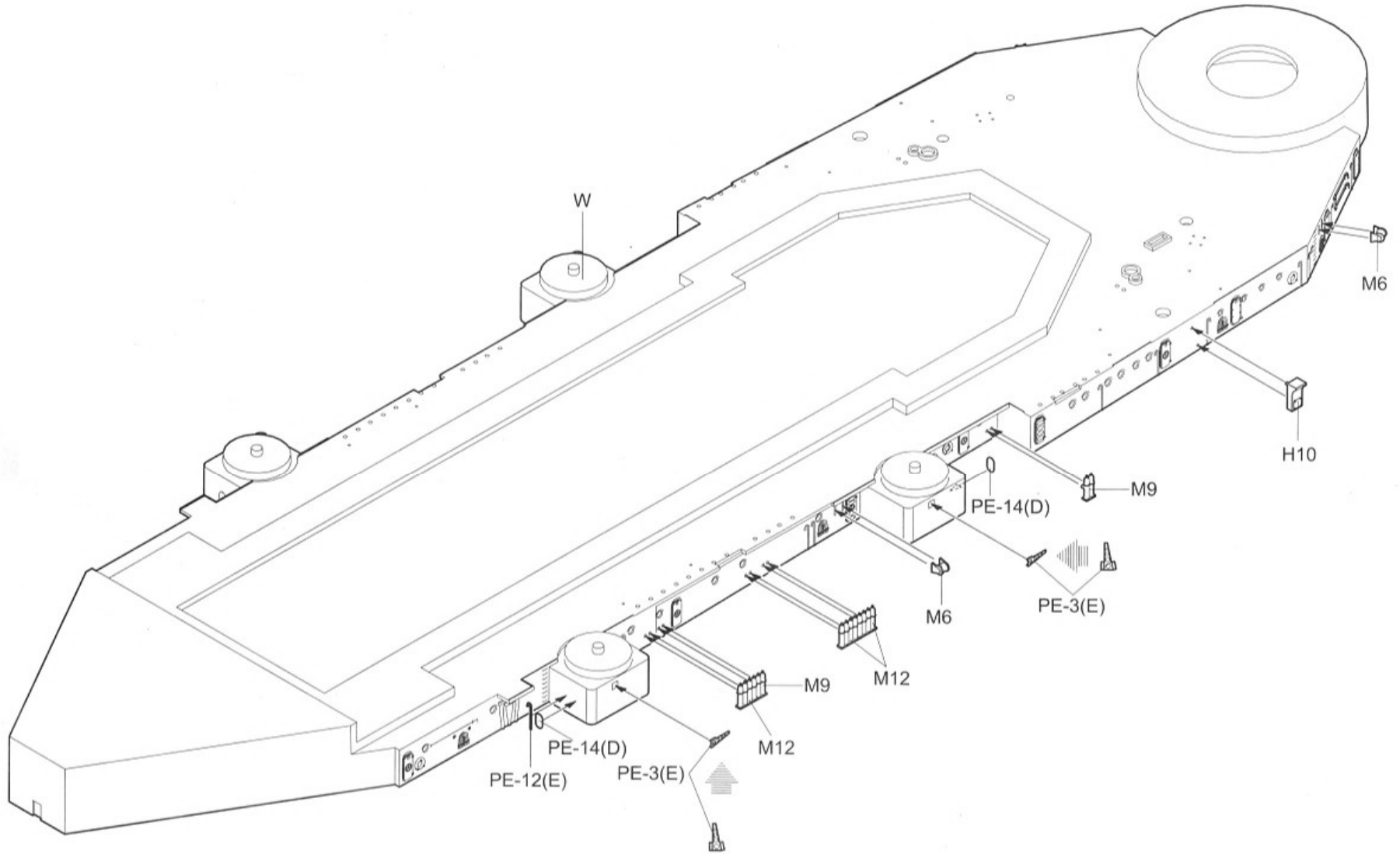
13



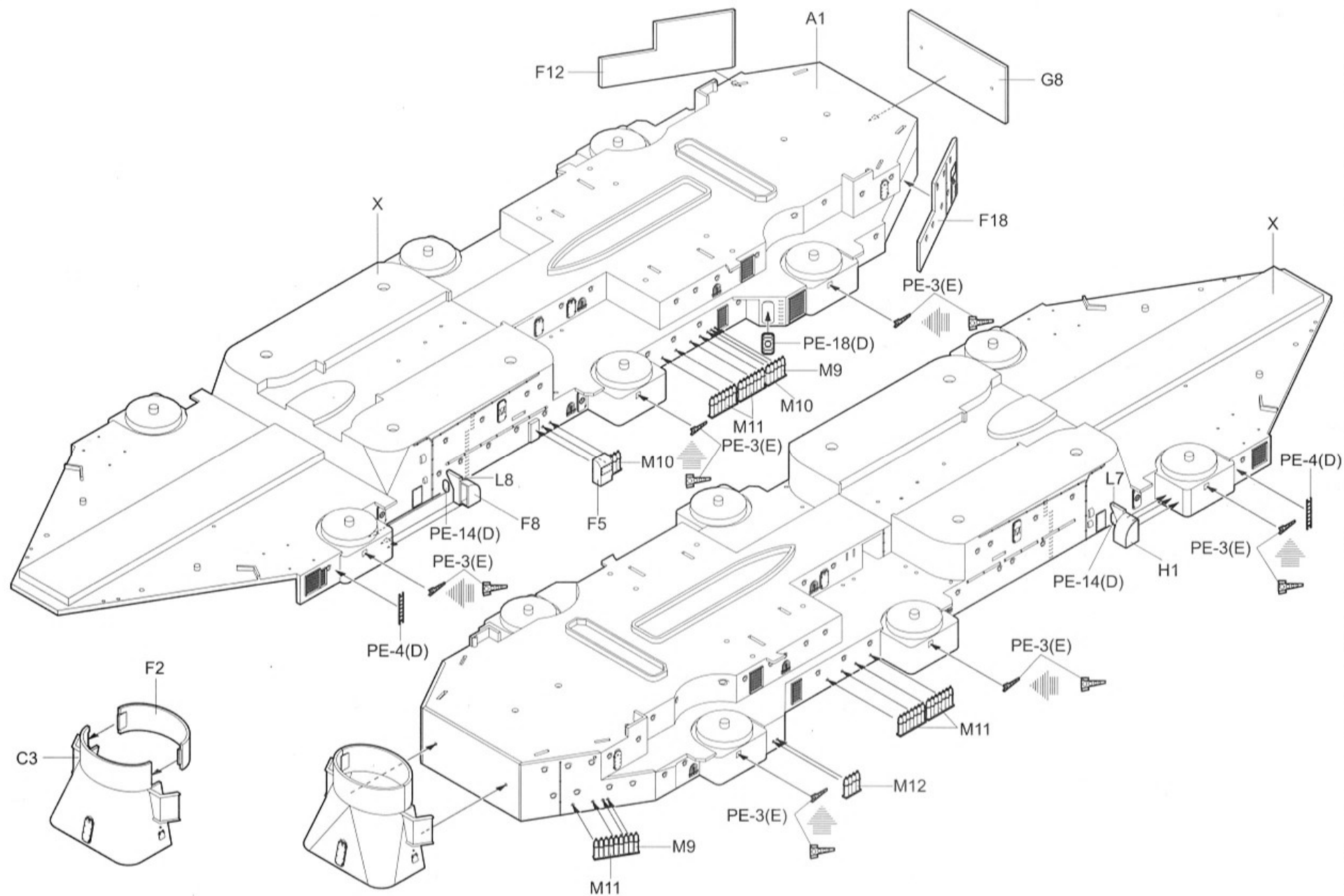




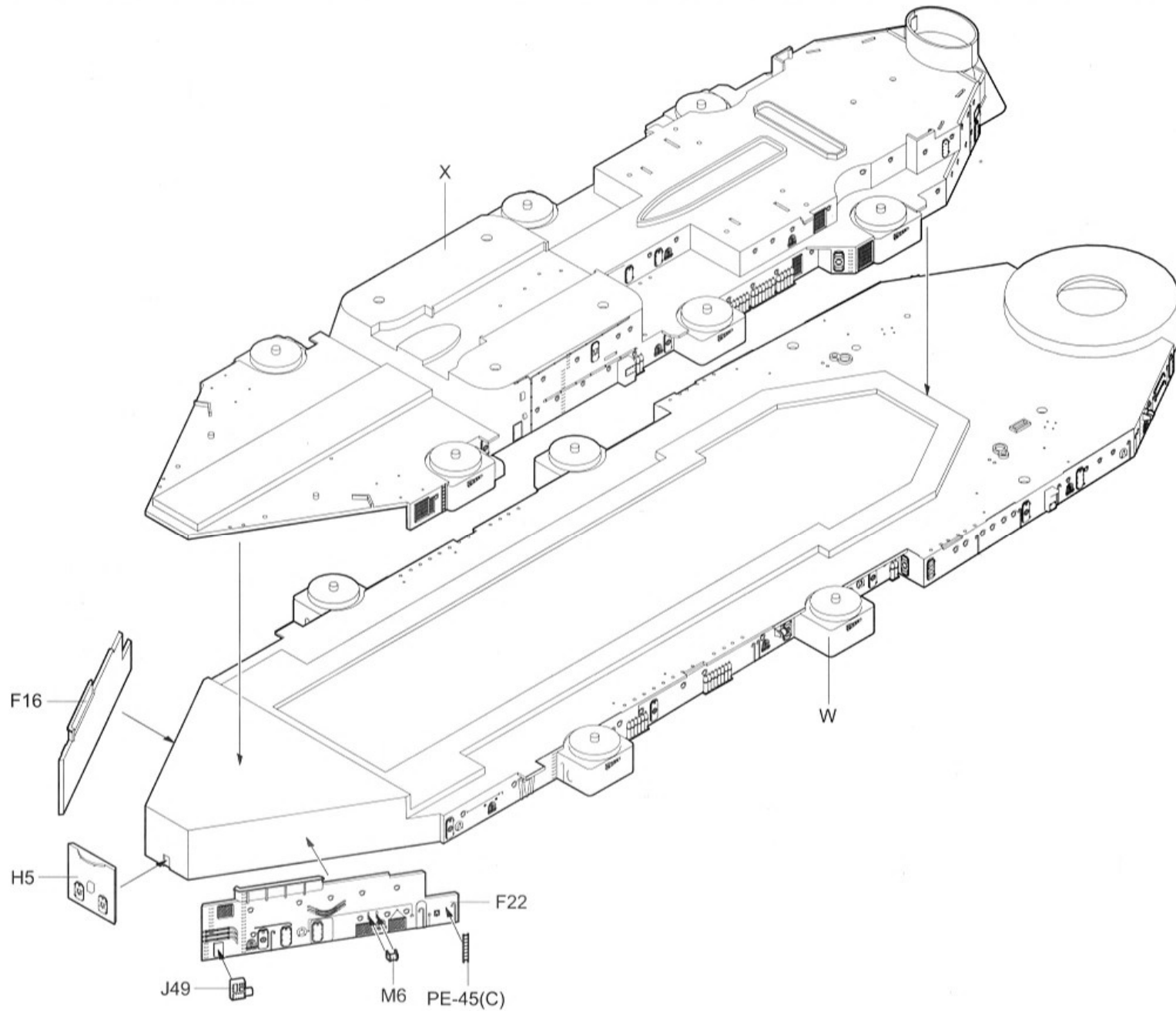
16

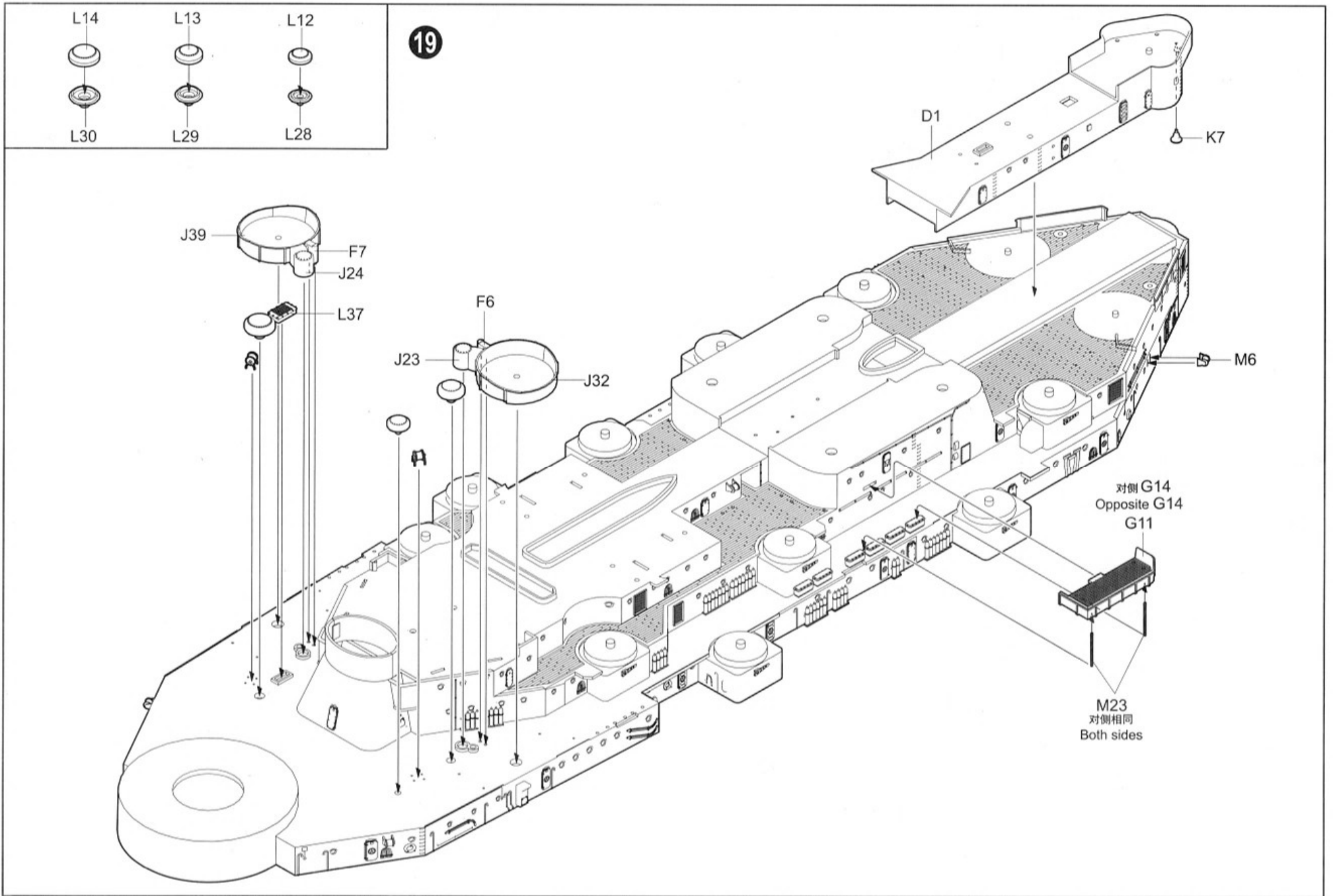


17

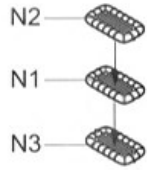


18

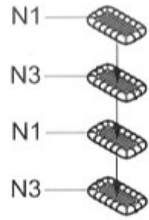




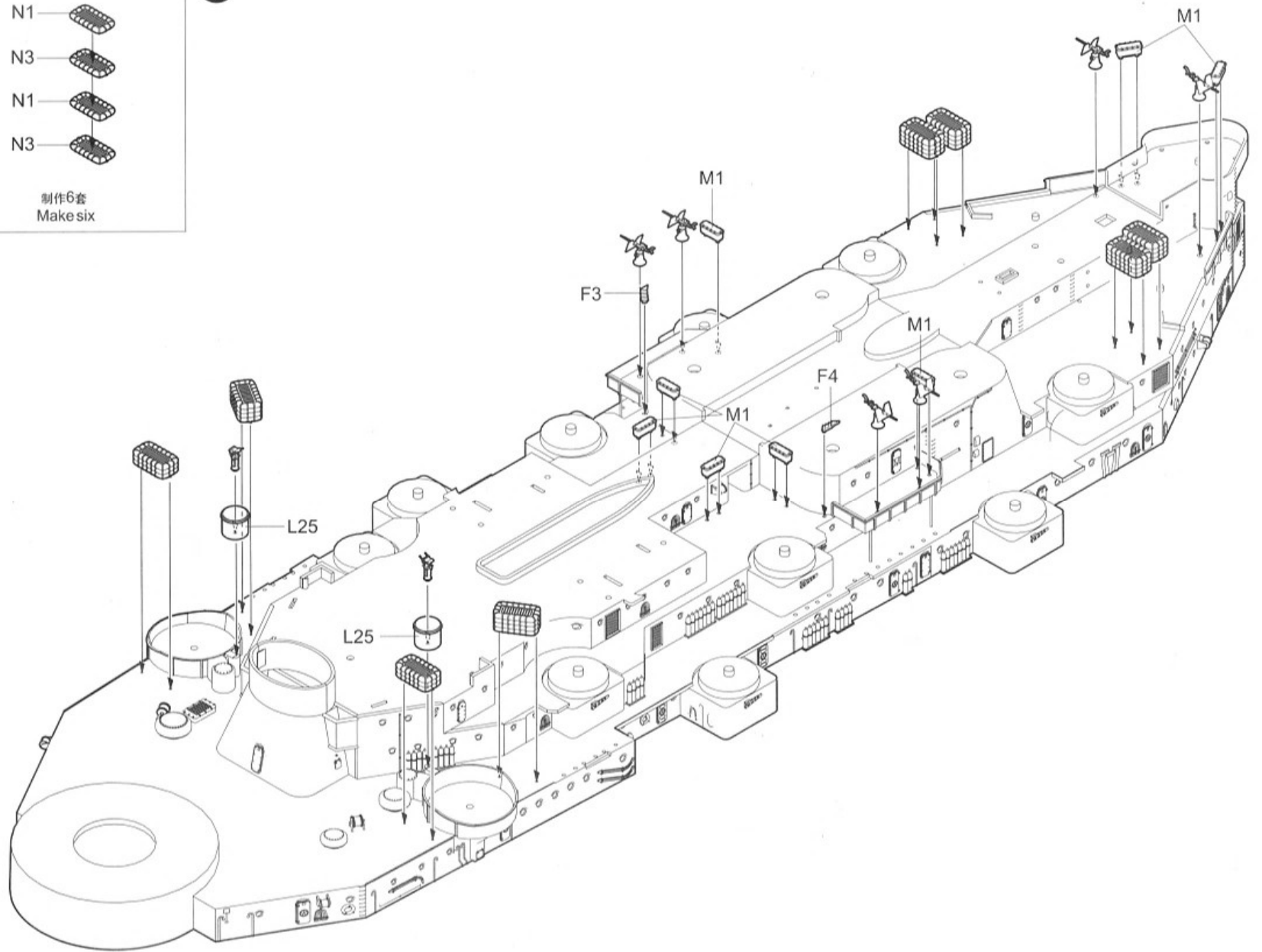
20



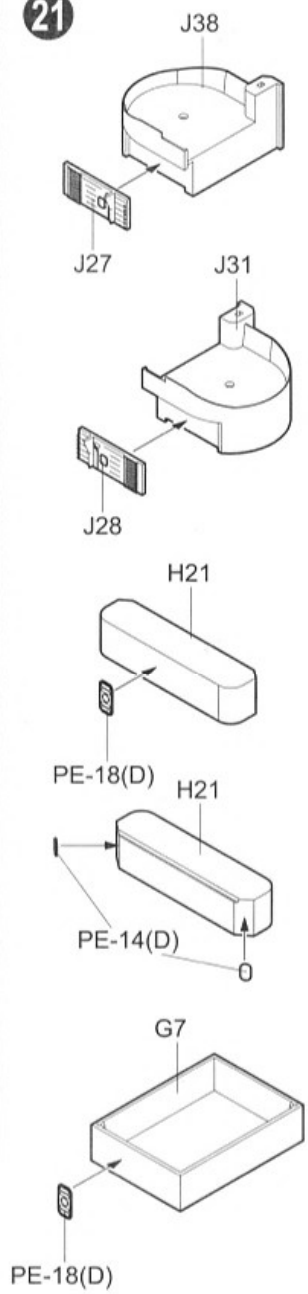
制作2套
Make two



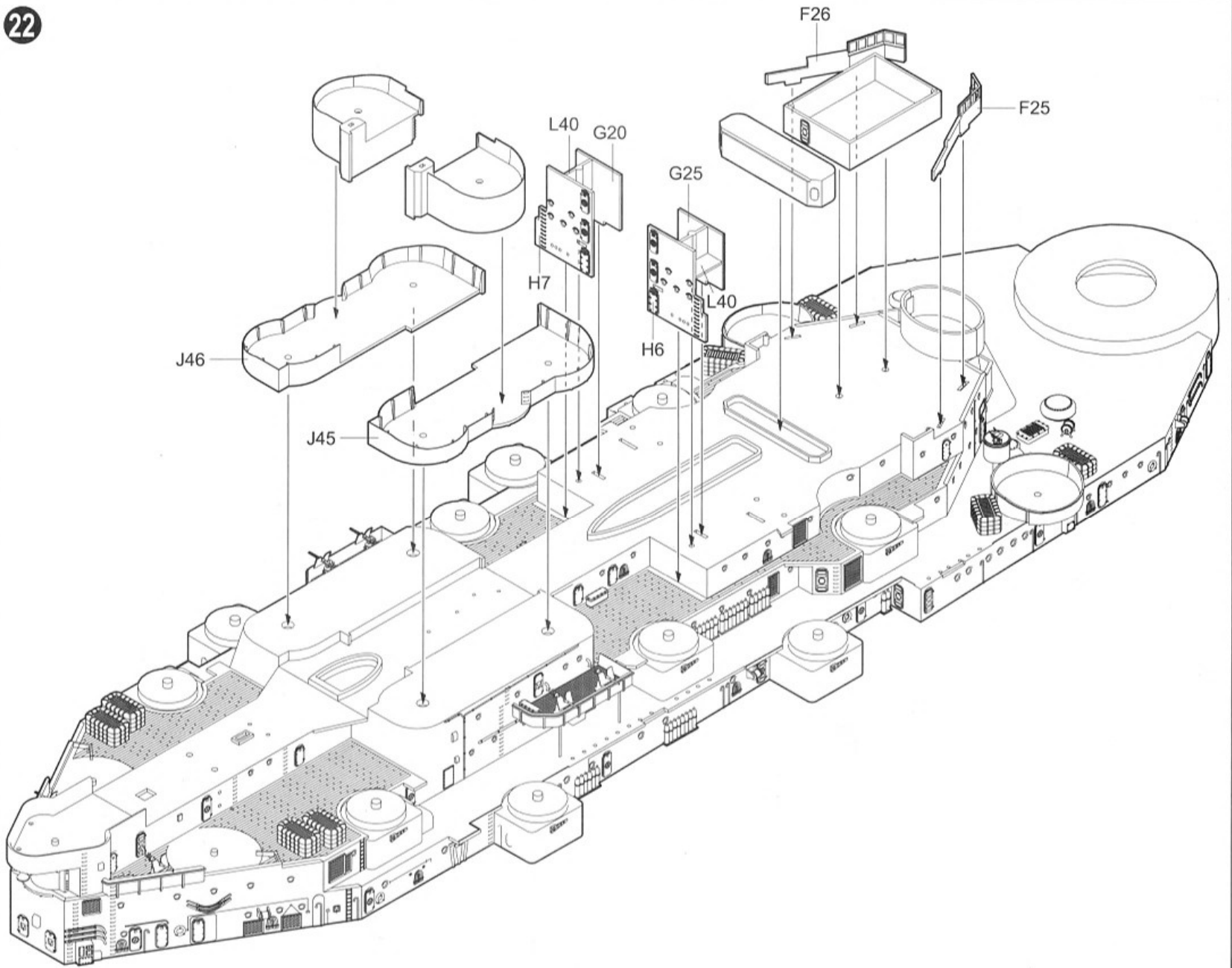
制作6套
Make six



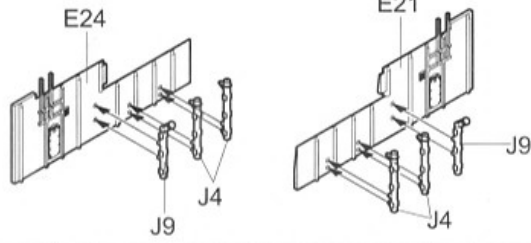
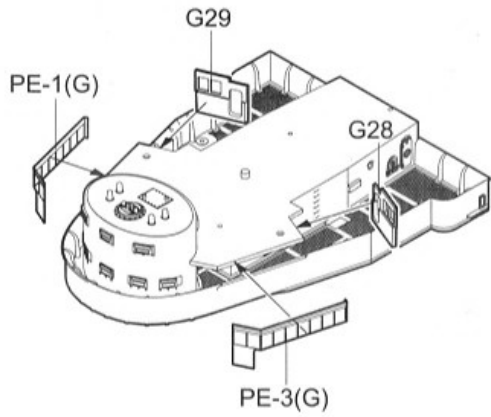
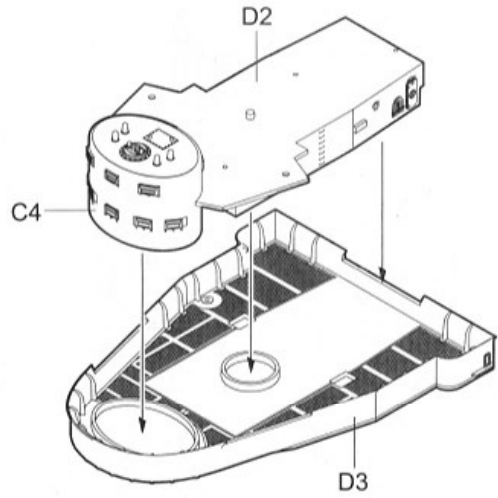
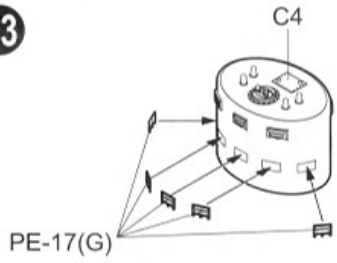
21



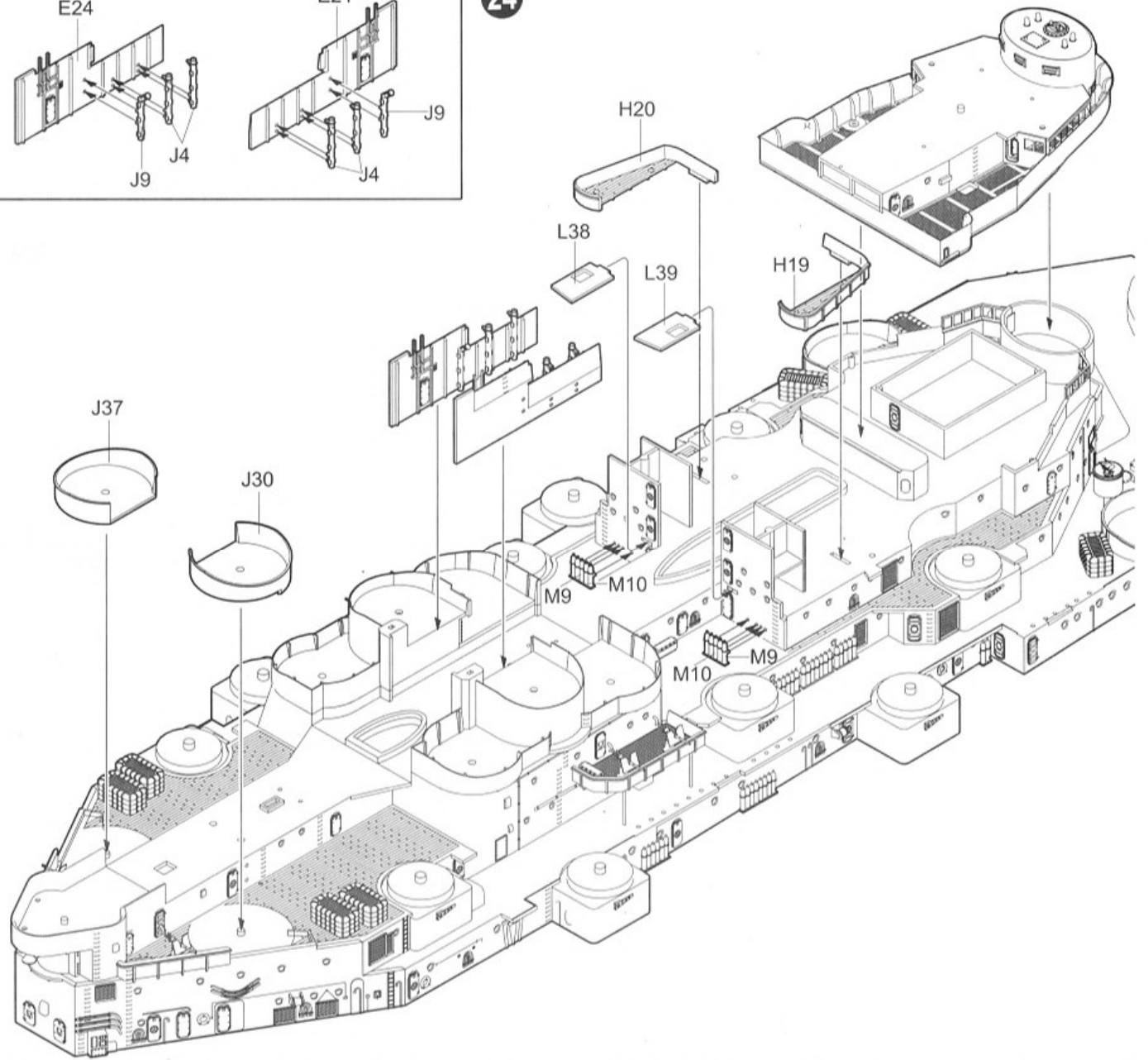
22



23

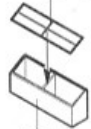


24



25

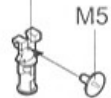
PE-3(C)



J43

制作2套
Make two

M13



制作2套
Make two

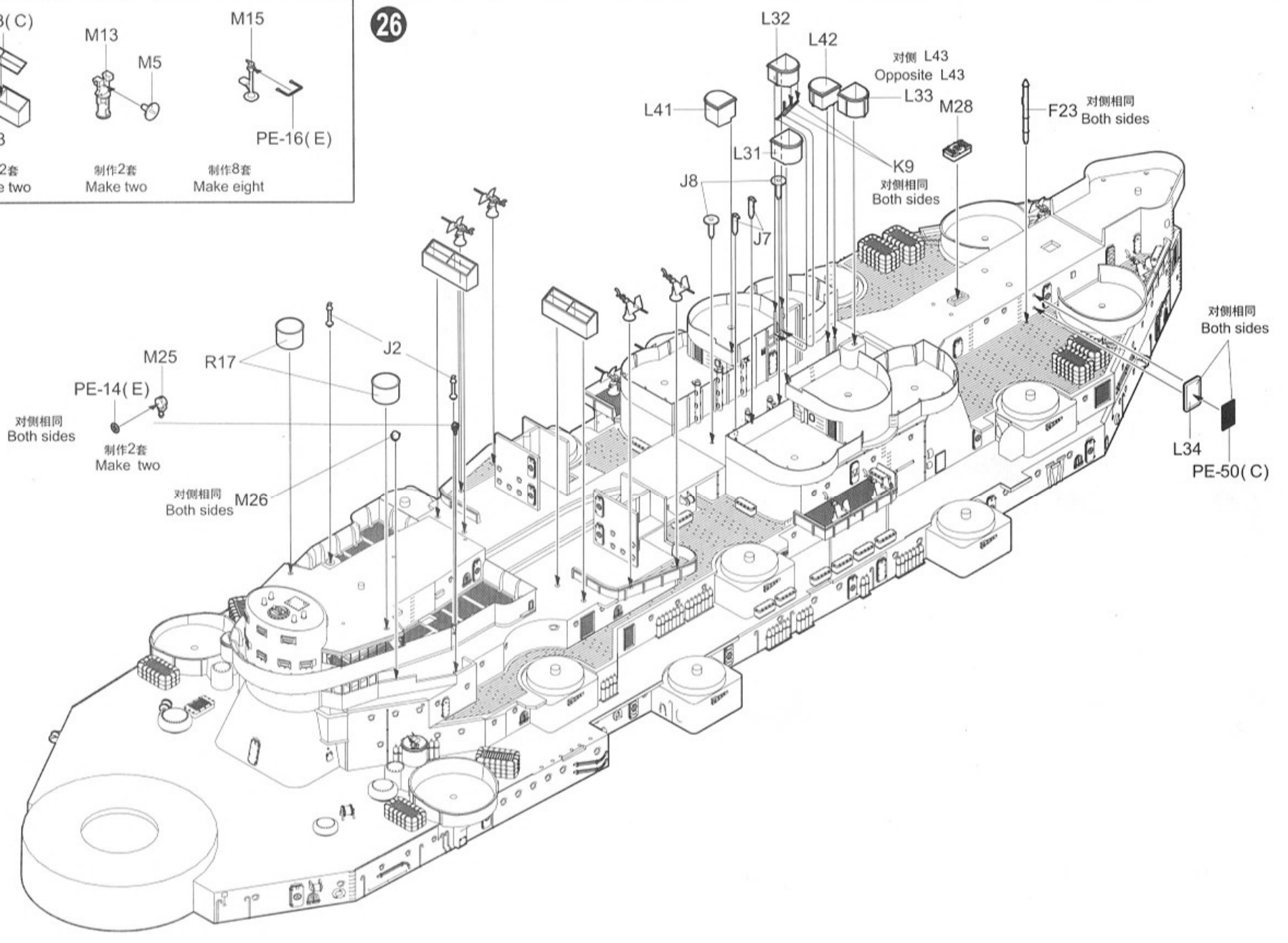
M15



PE-16(E)

制作8套
Make eight

26



对侧相同
Both sides

制作2套
Make two

对侧相同
Both sides

对侧 L43
Opposite L43

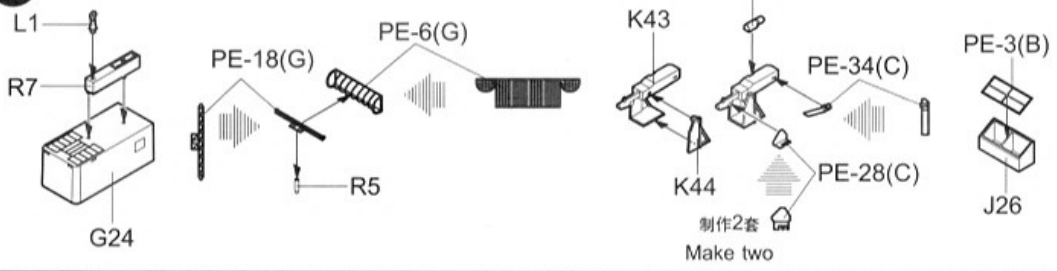
对侧相同
Both sides

对侧相同
Both sides

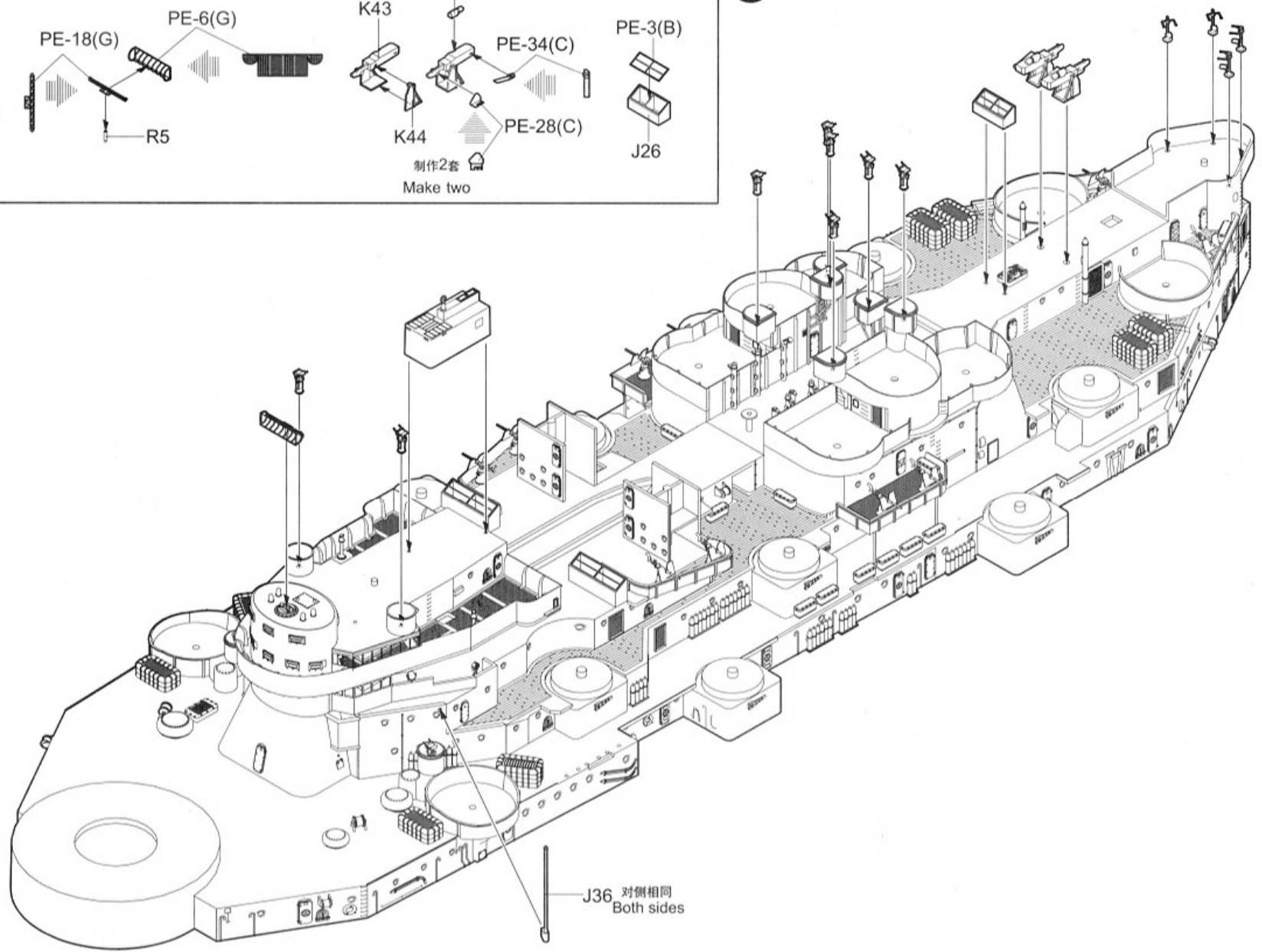
对侧相同
Both sides

L34
PE-50(C)

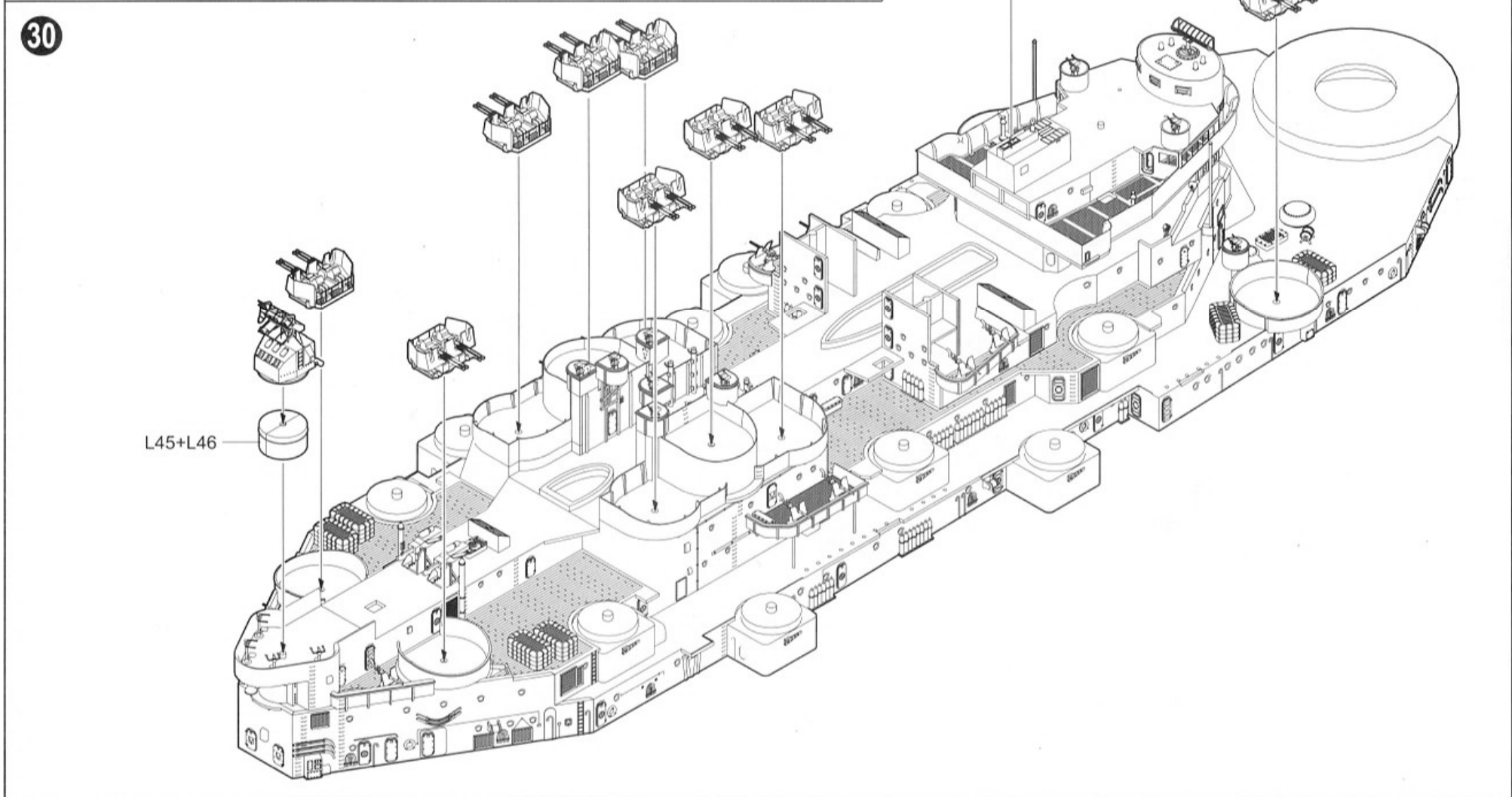
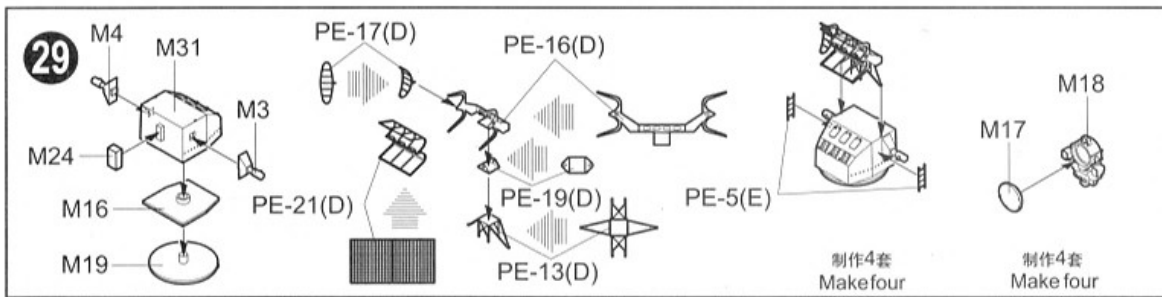
27



28



J36 对侧相同
Both sides



31



PE-10(D)

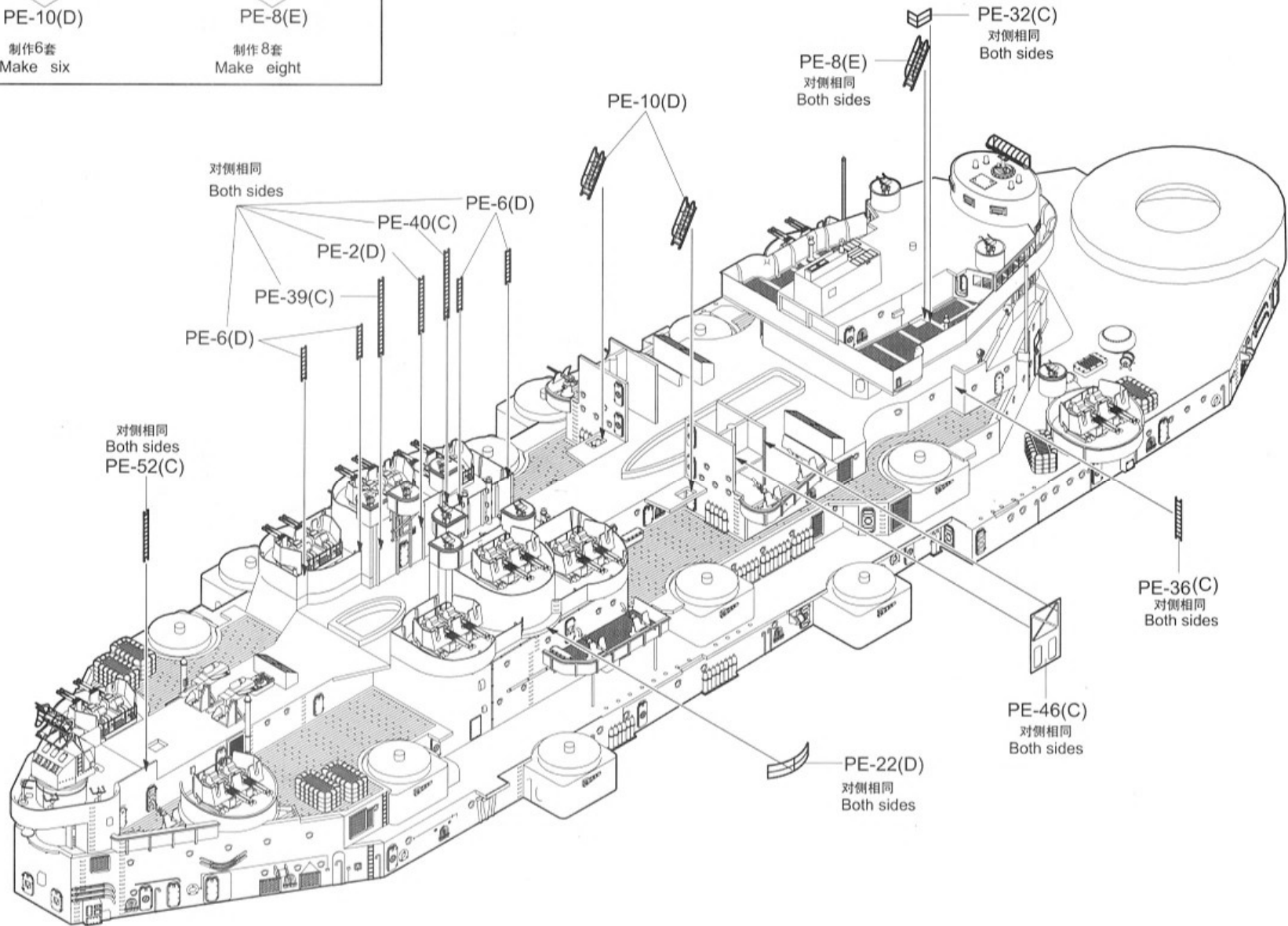
制作6套
Make six



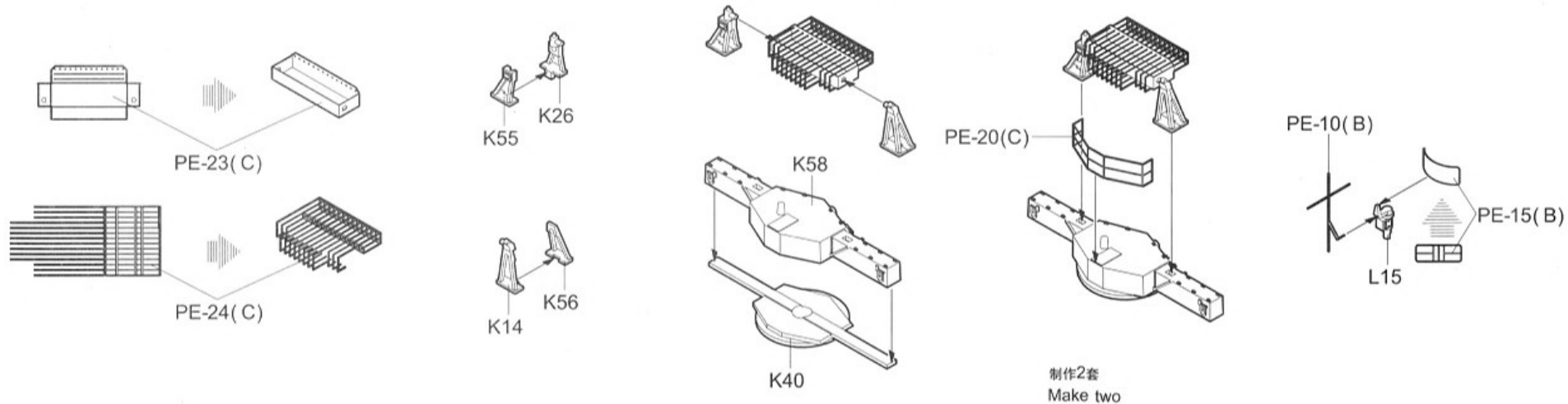
PE-8(E)

制作8套
Make eight

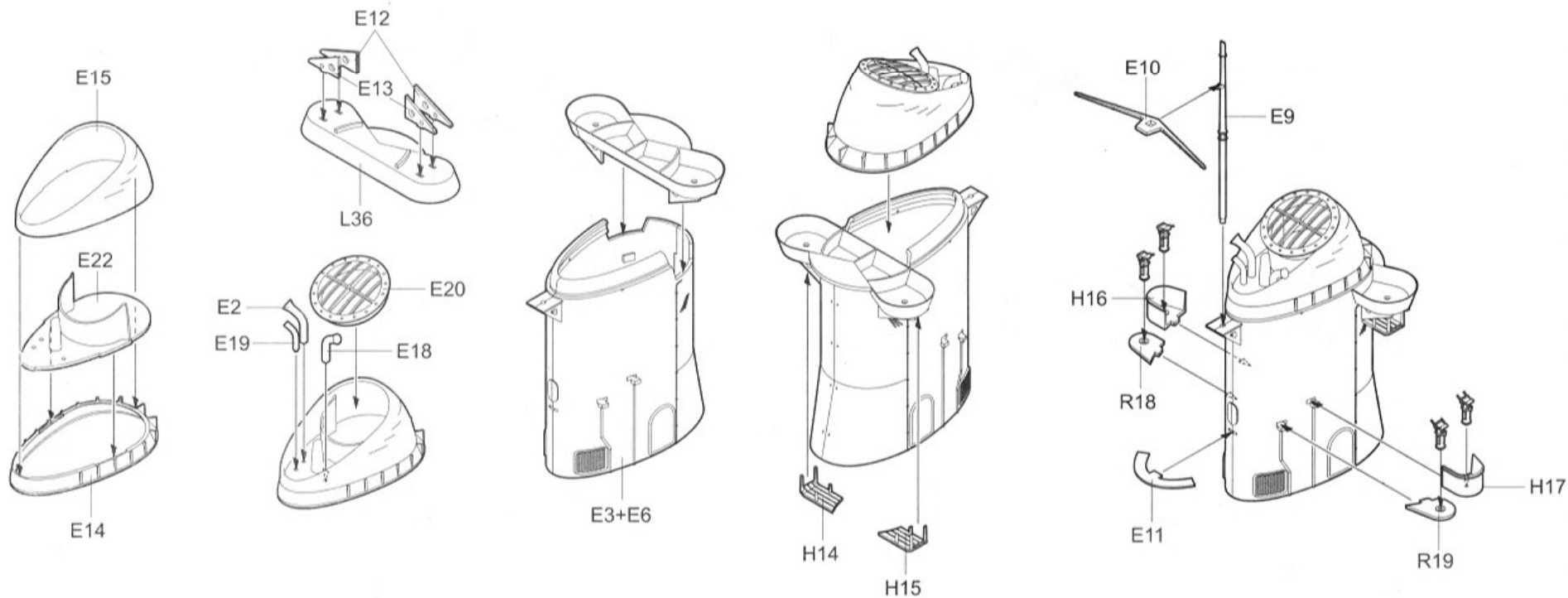
32



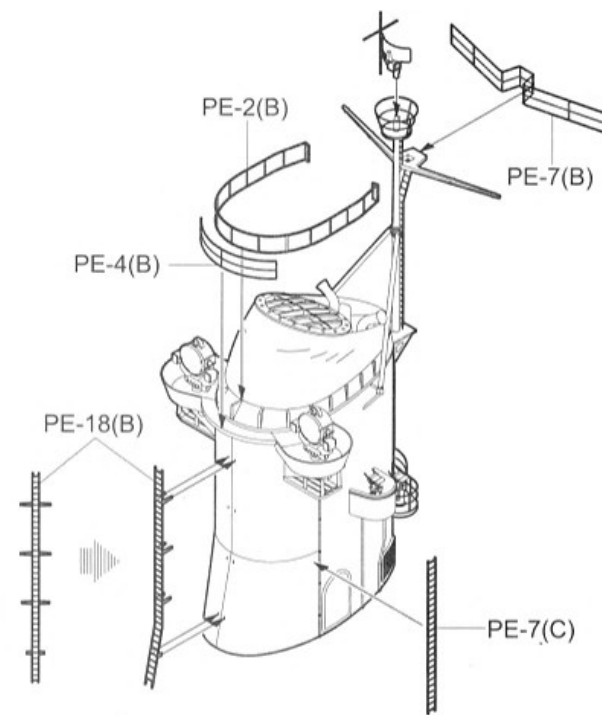
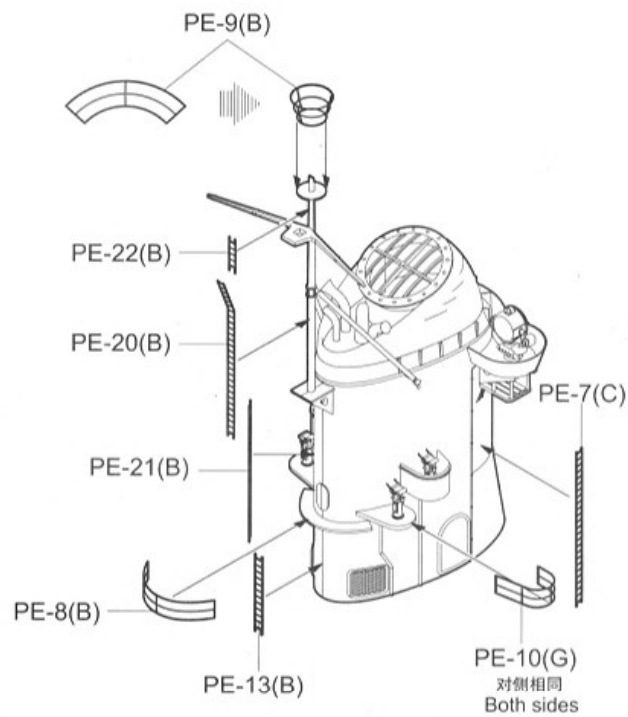
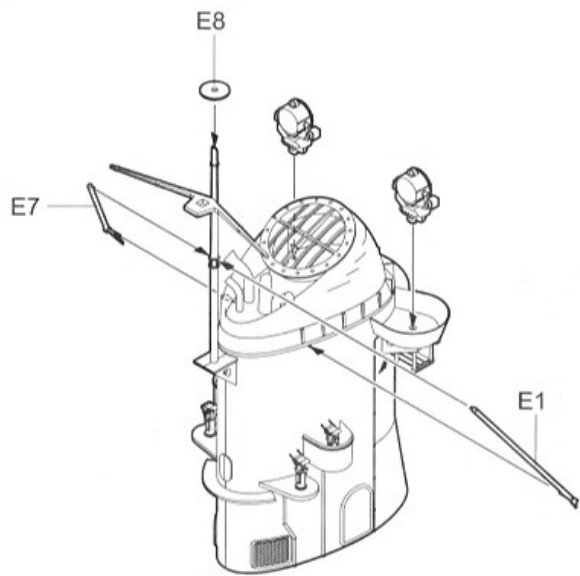
33



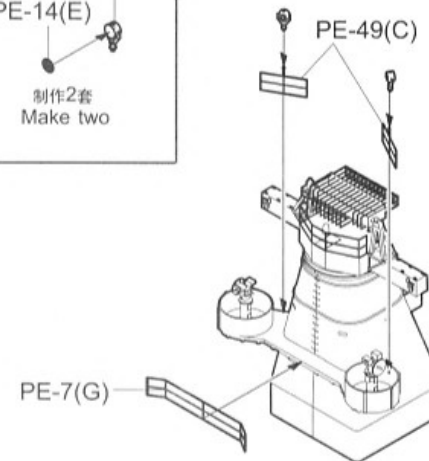
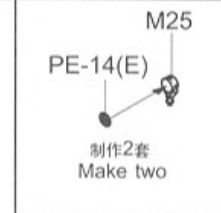
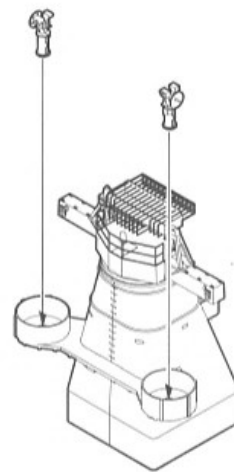
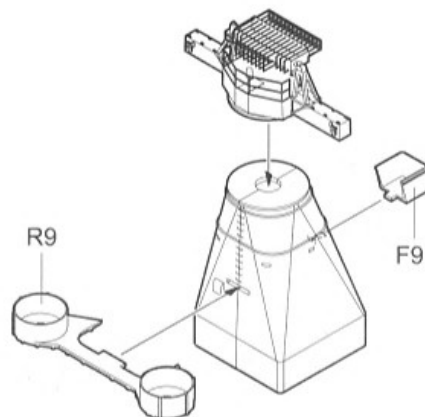
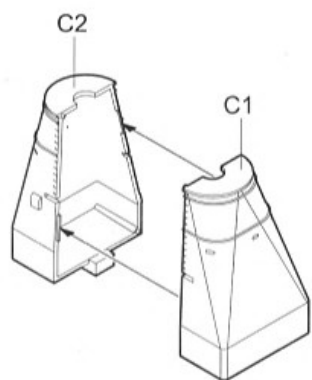
34



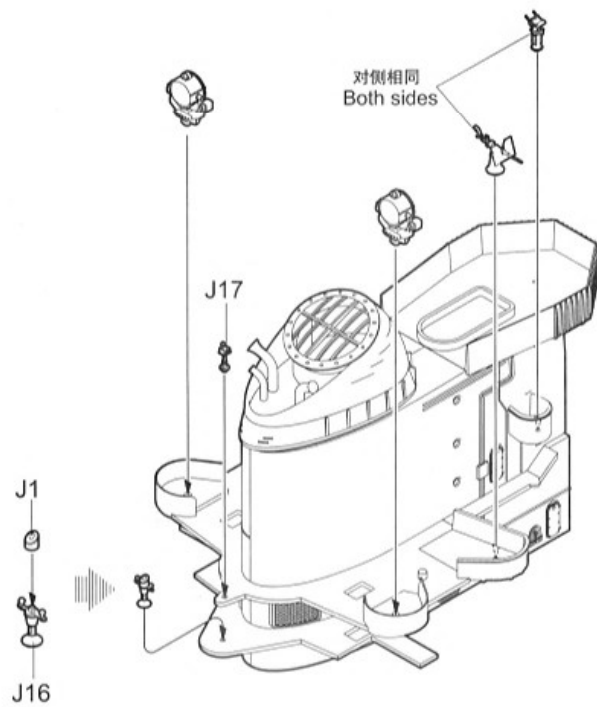
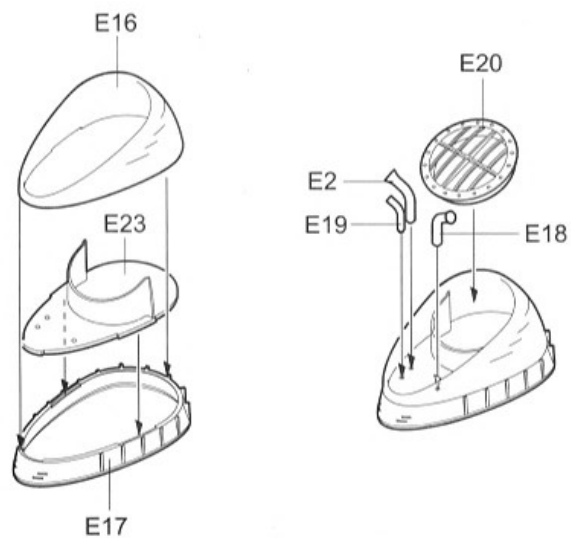
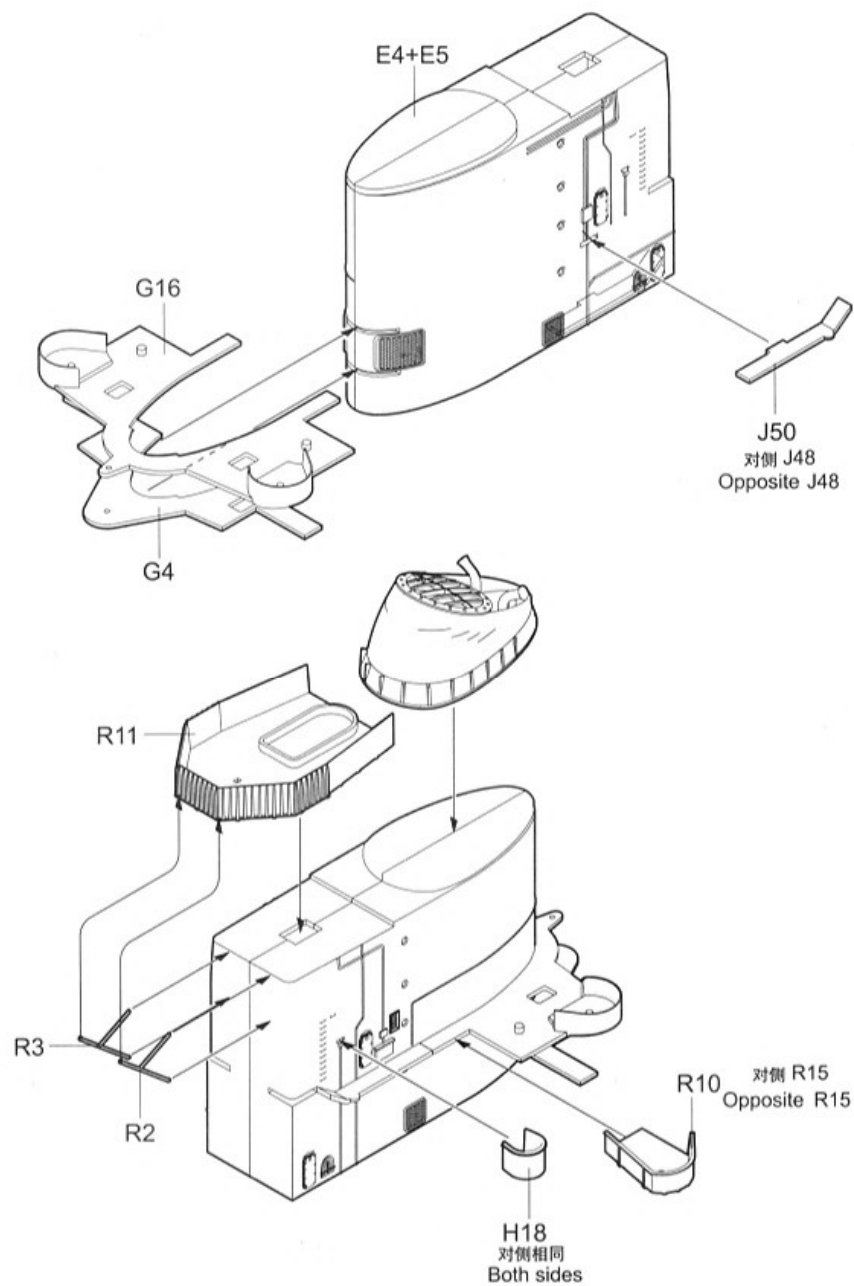
35



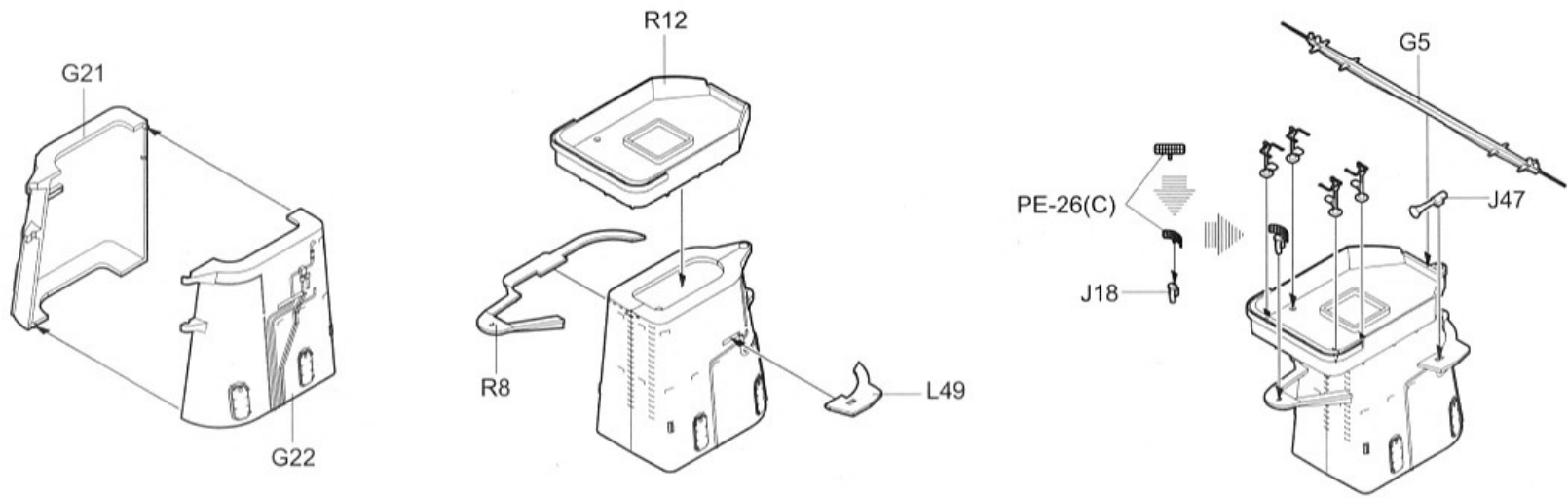
36



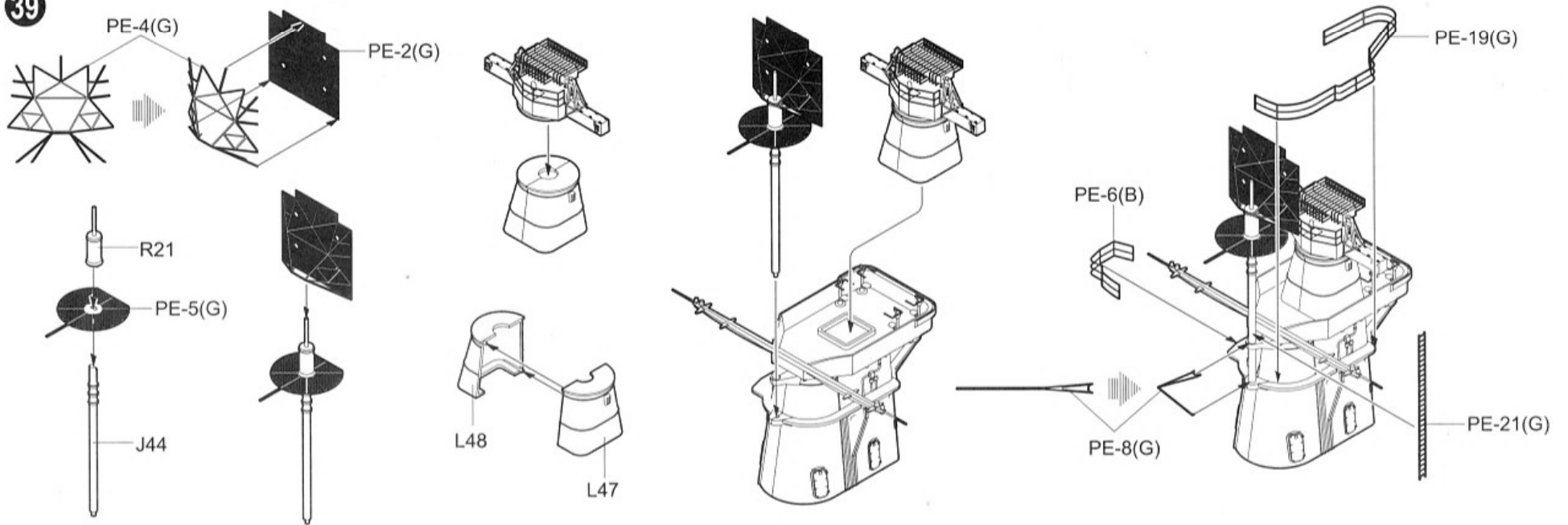
37

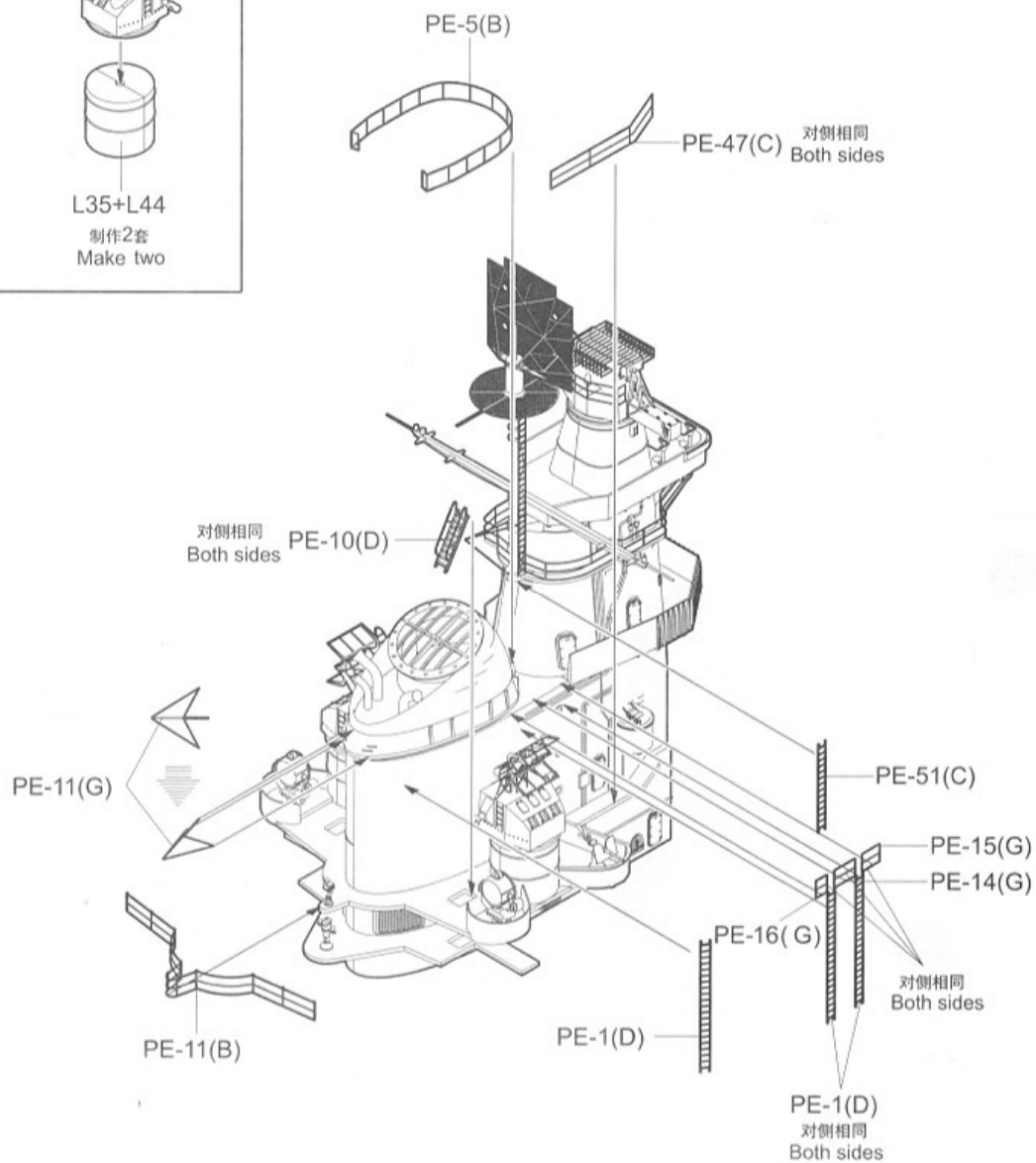
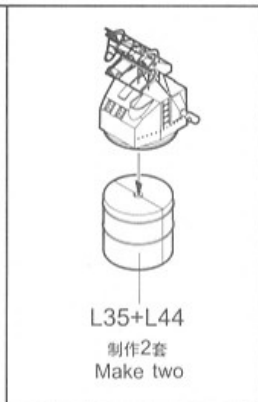
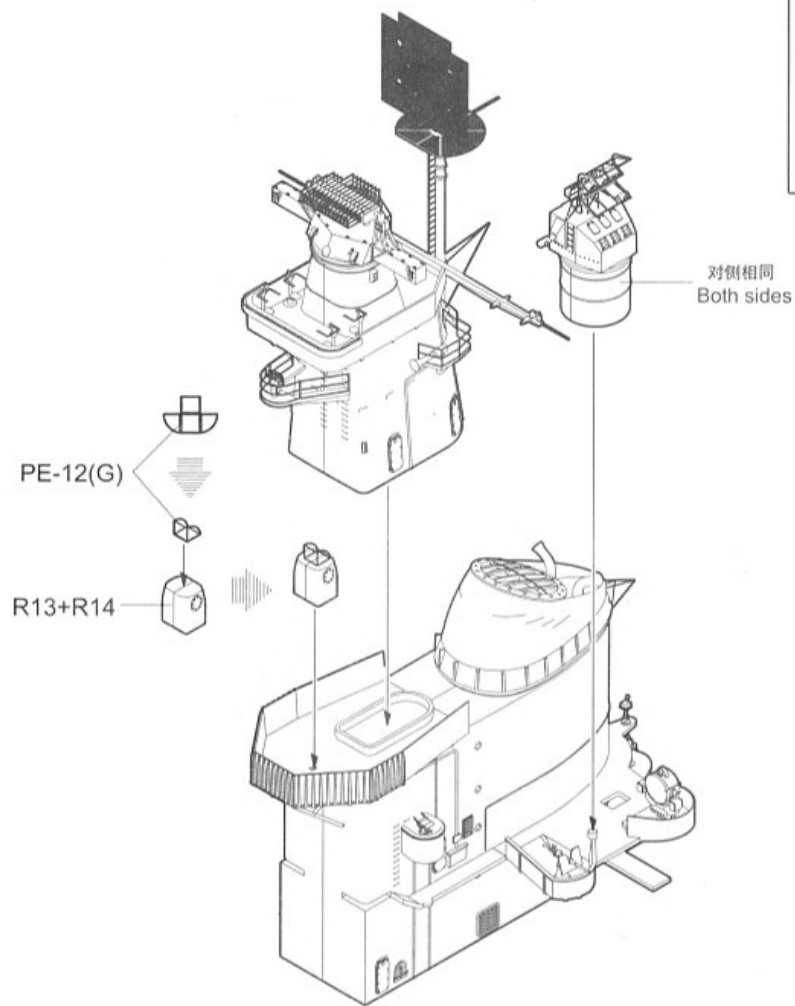


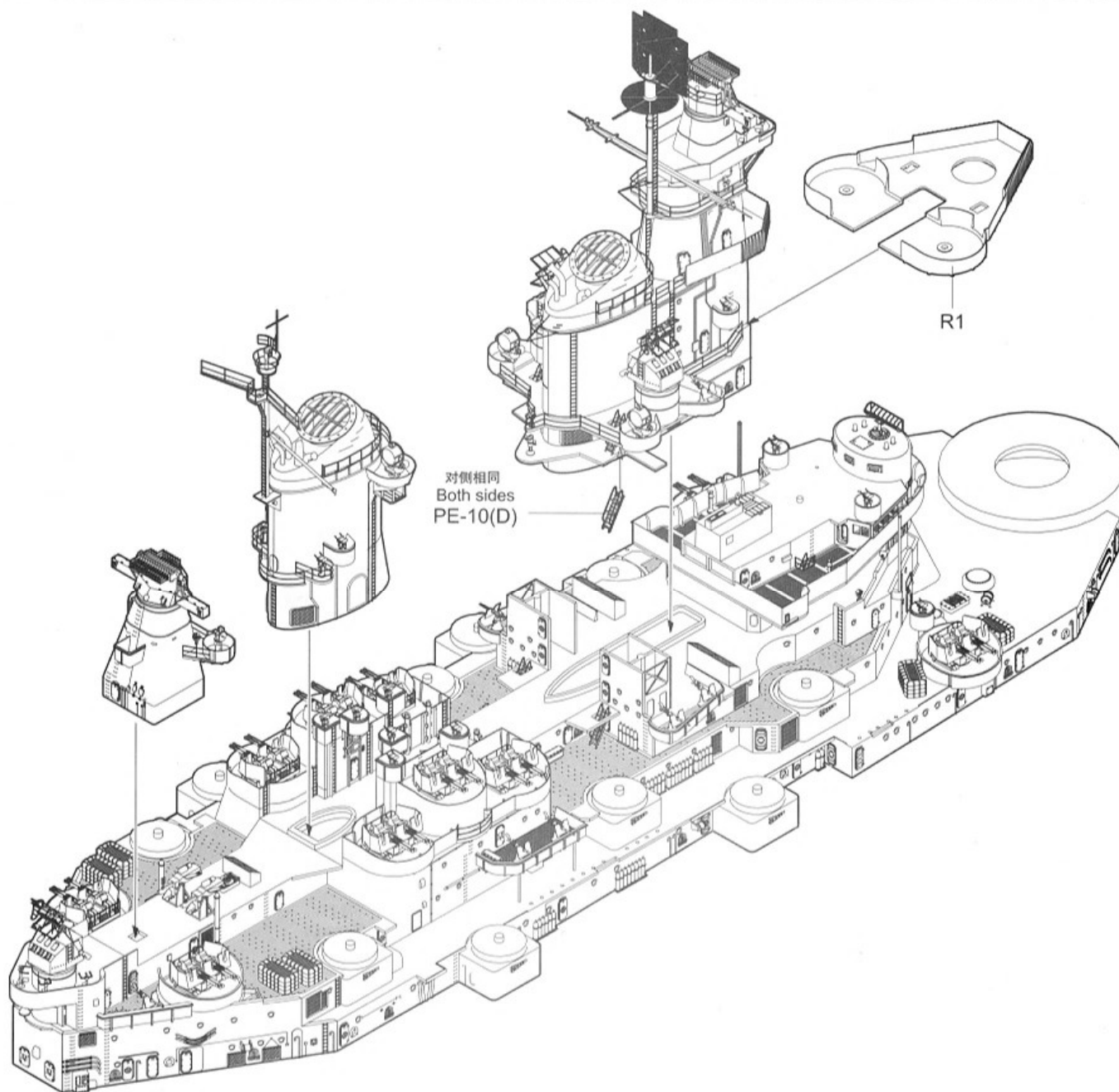
38



39





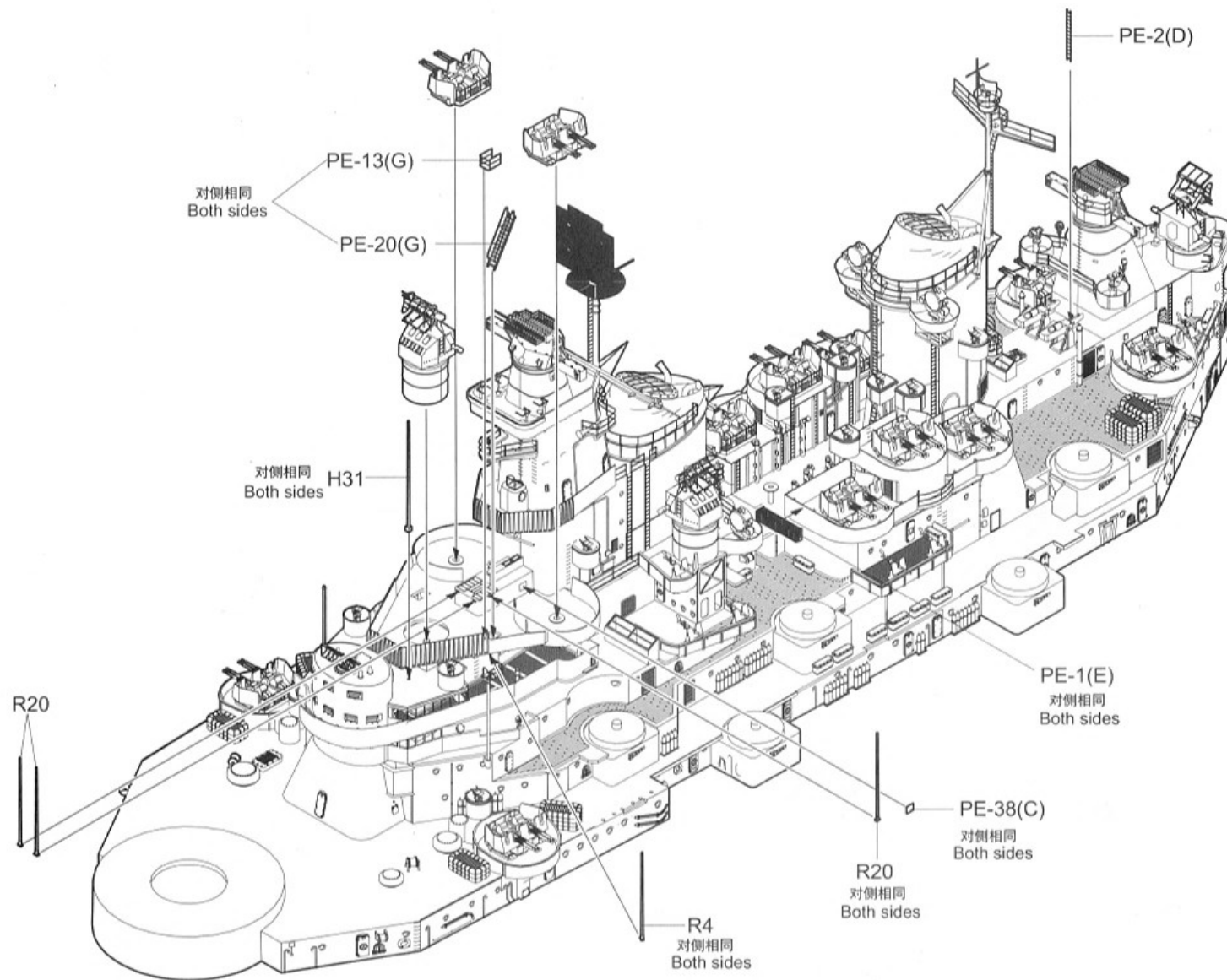


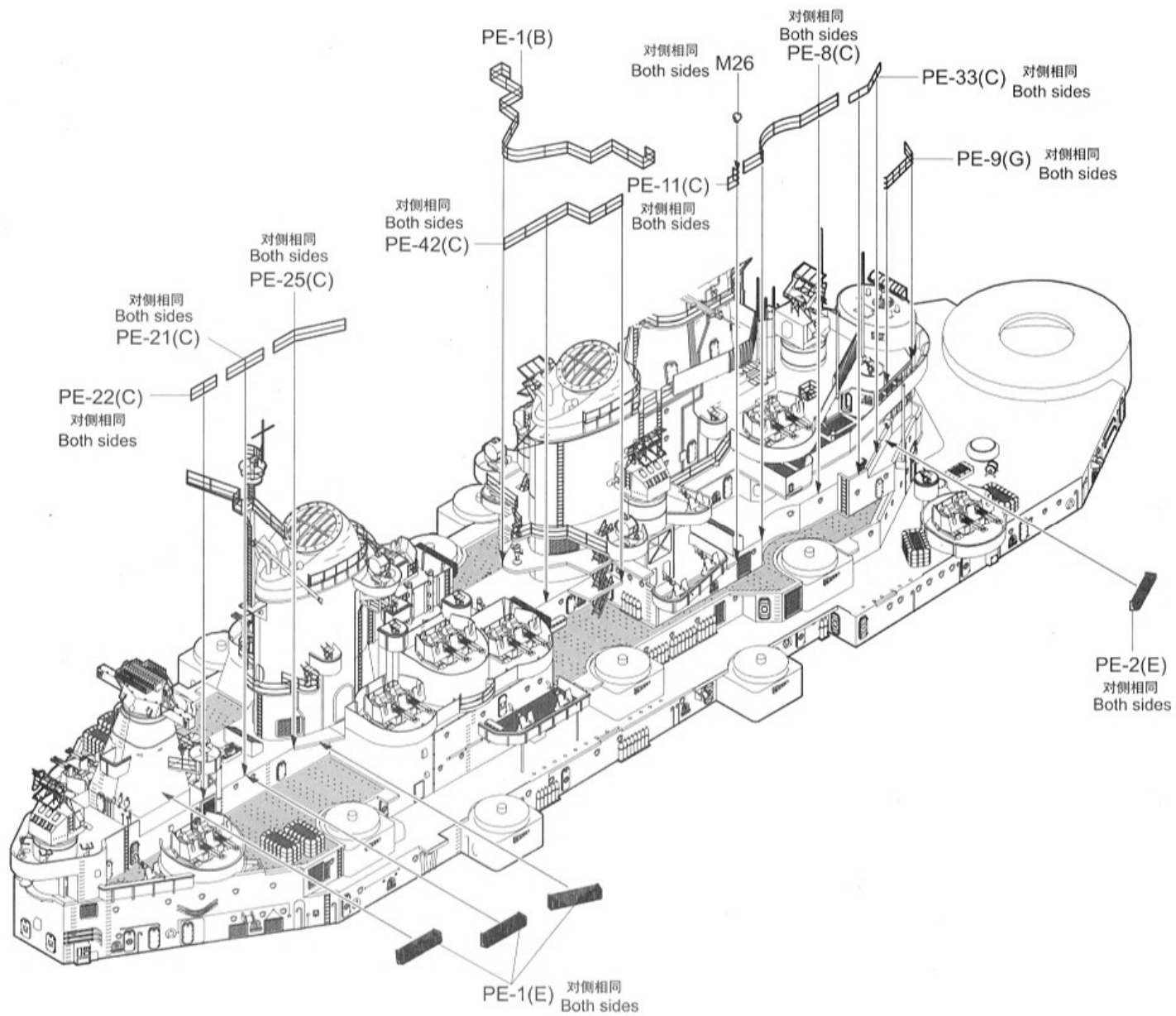


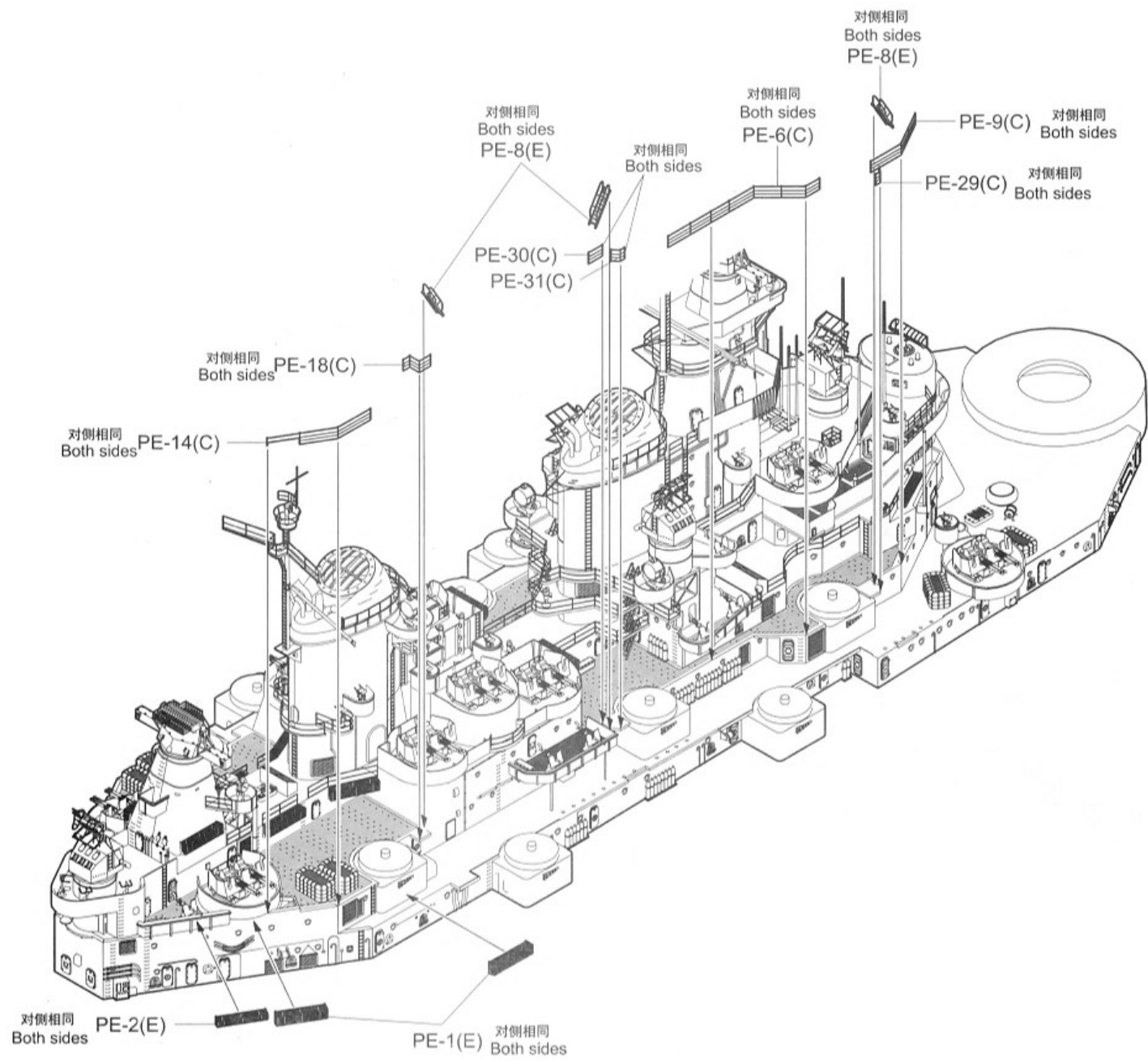
PE-20(G)

制作6套
Make six

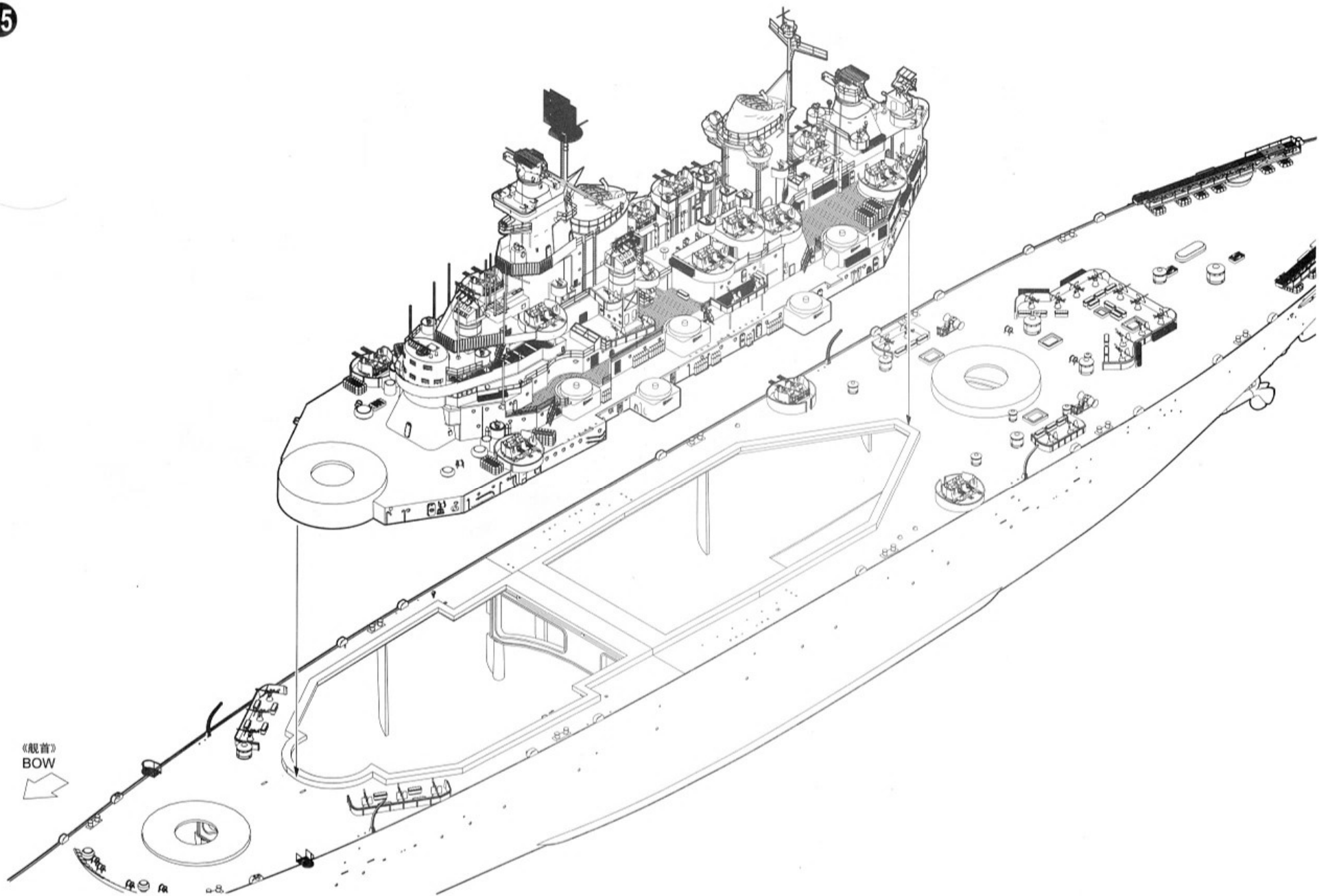
42





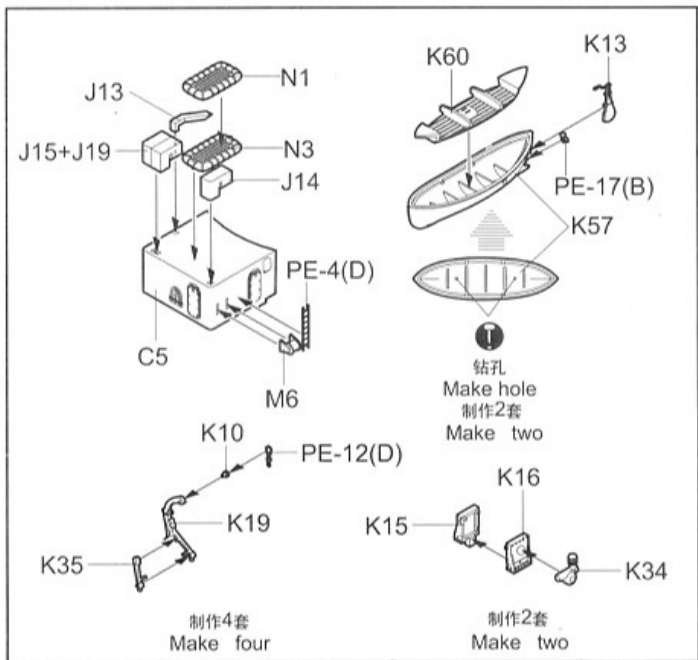


45

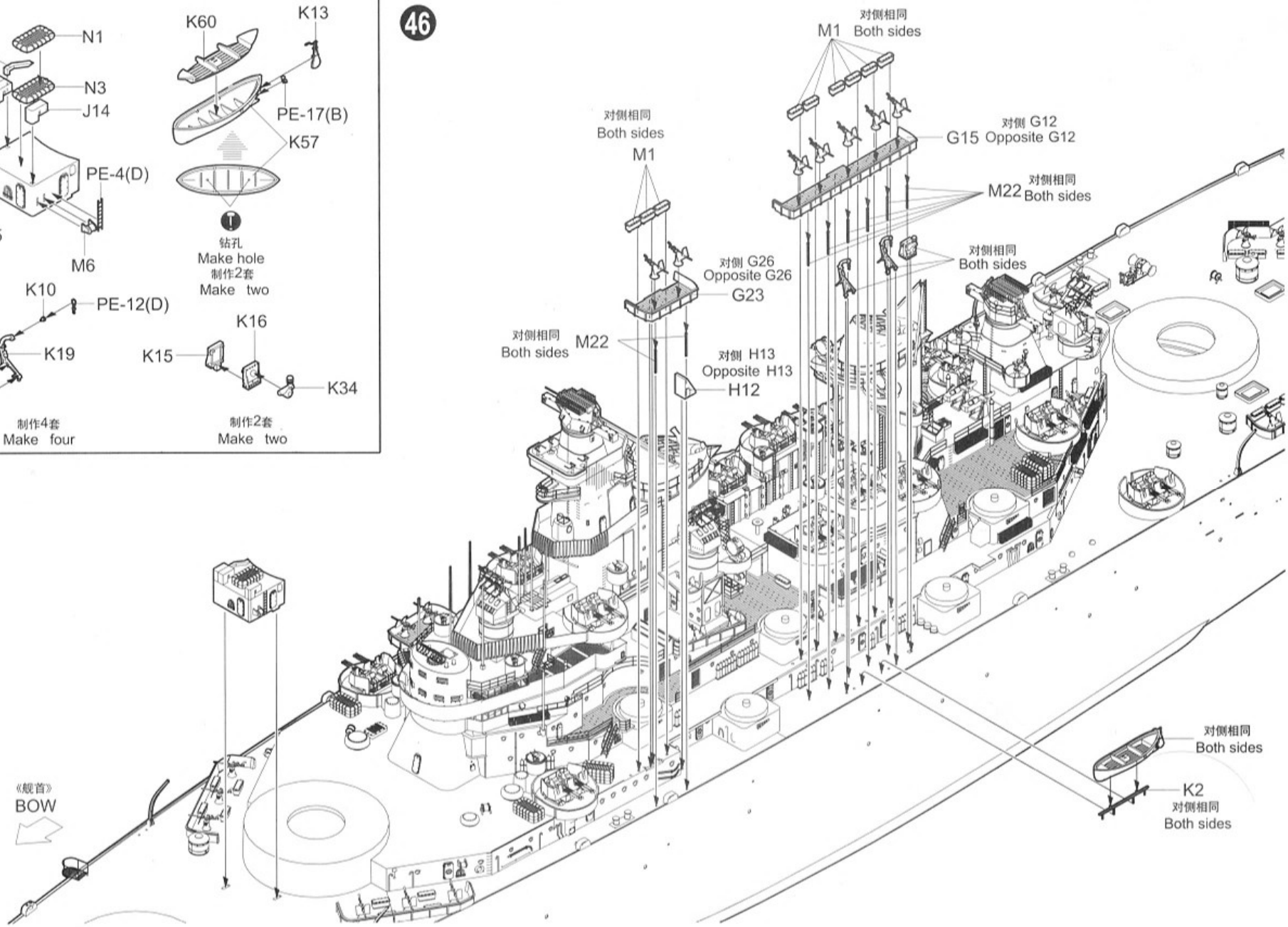


《船首》
BOW





46

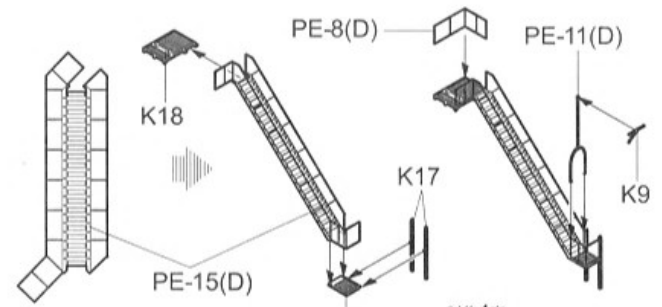
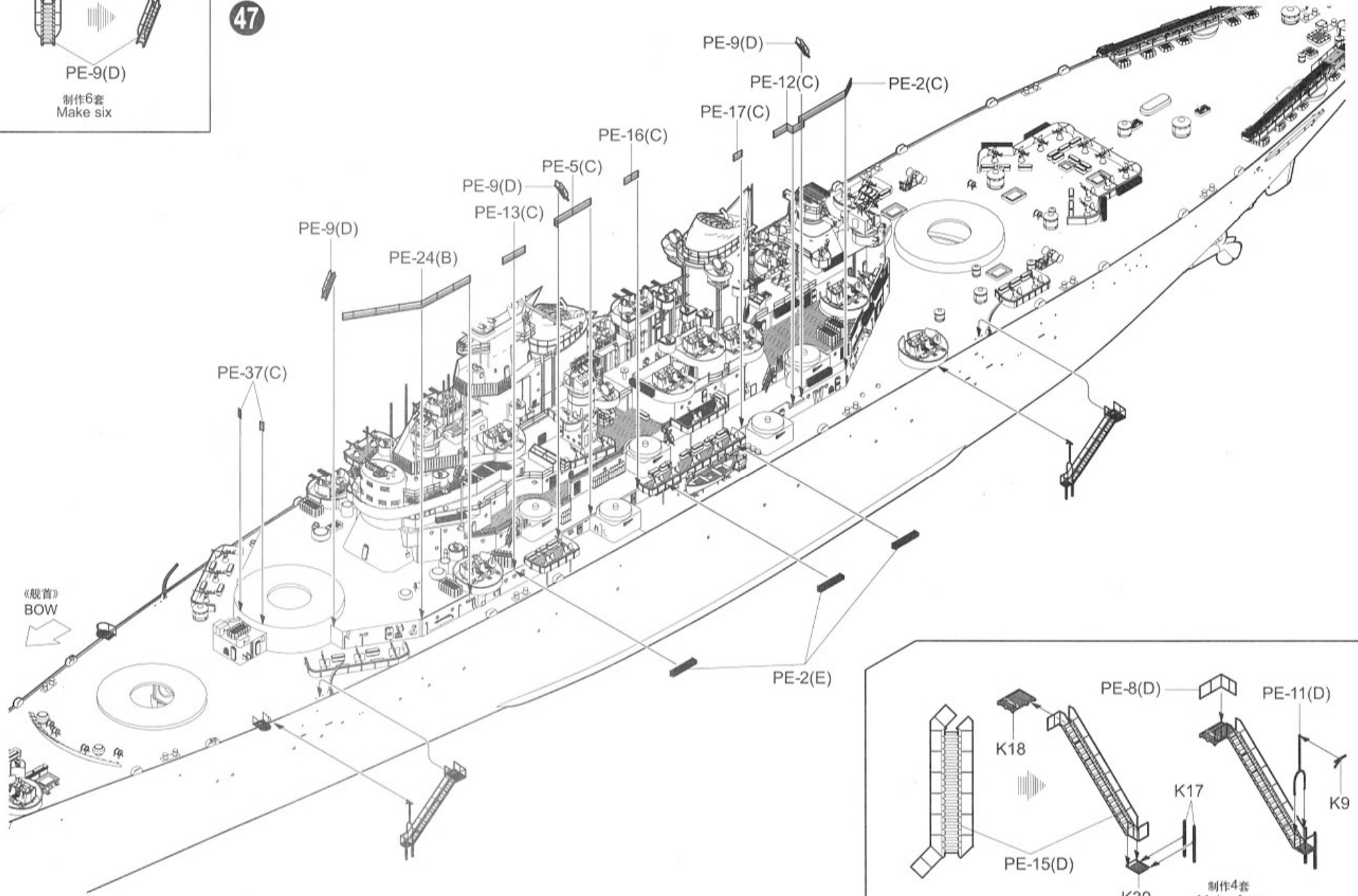




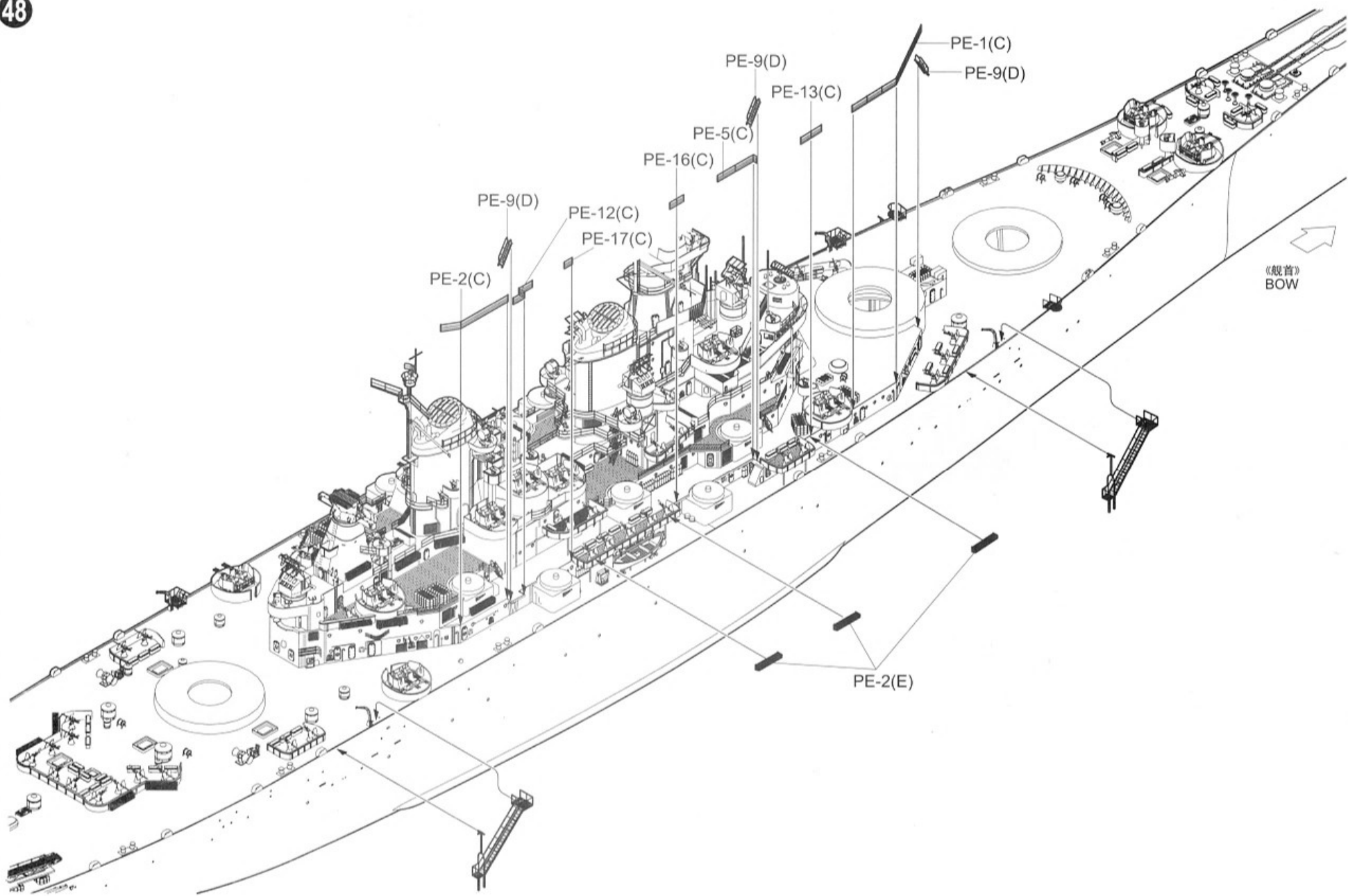
PE-9(D)

制作6套
Make six

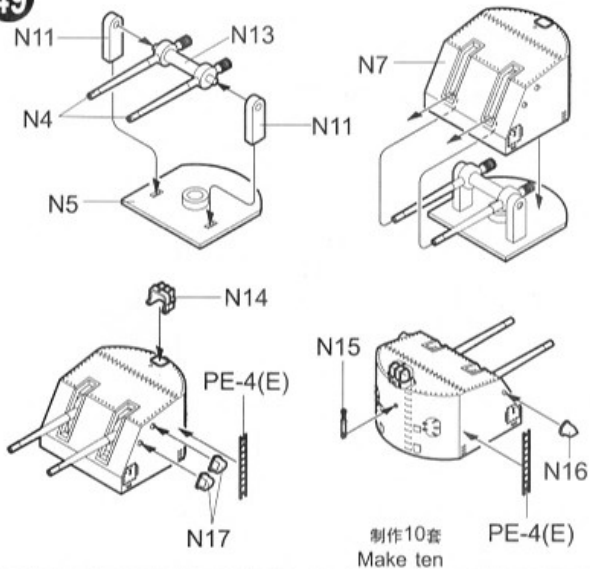
47



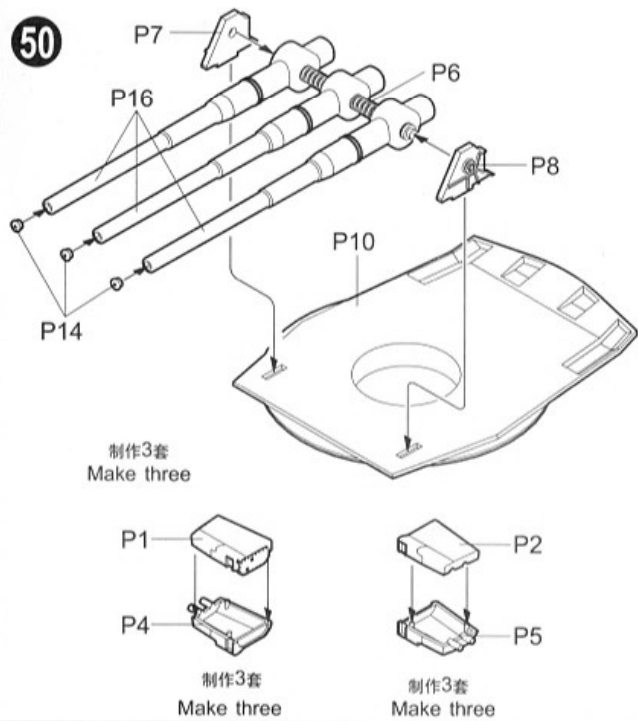
制作4套
Make four



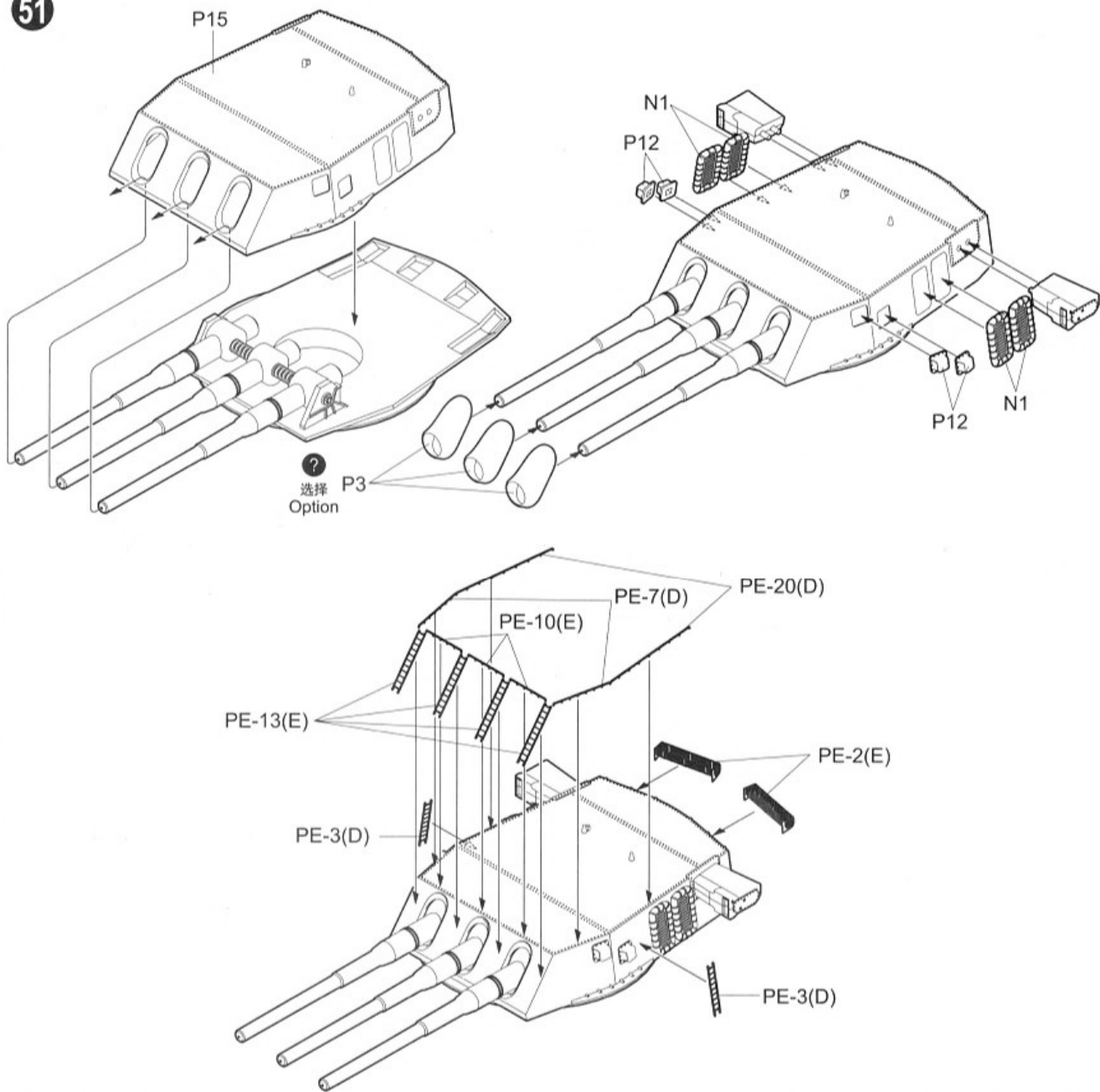
49



50

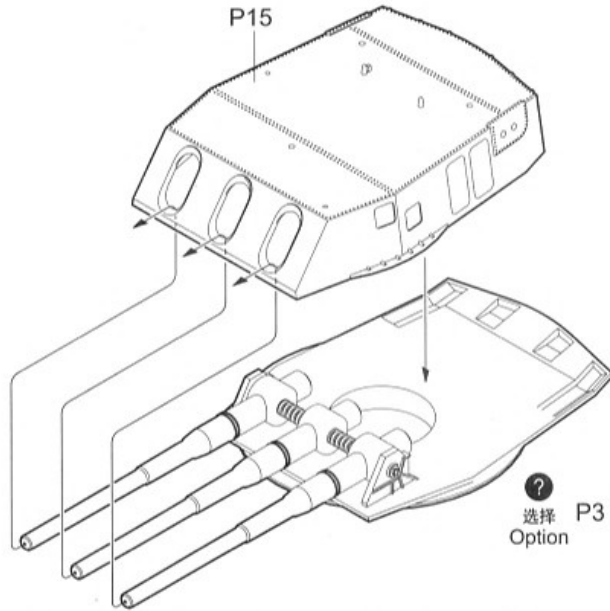
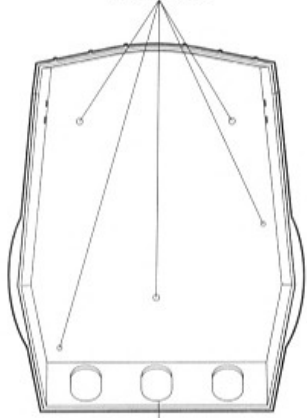


51

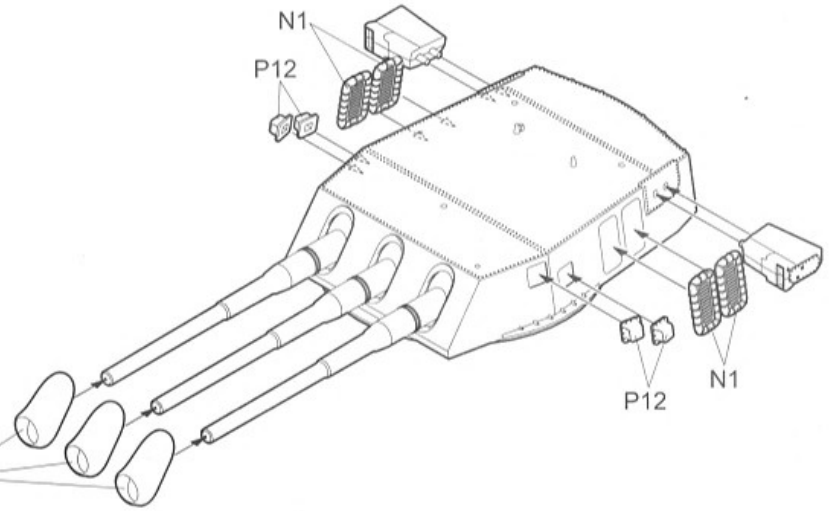


52

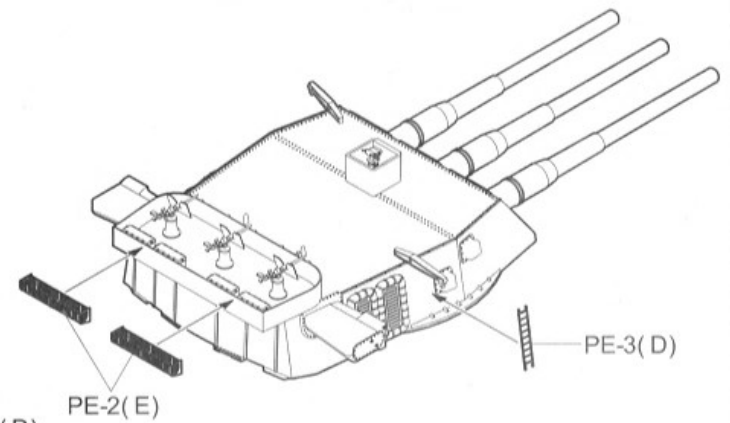
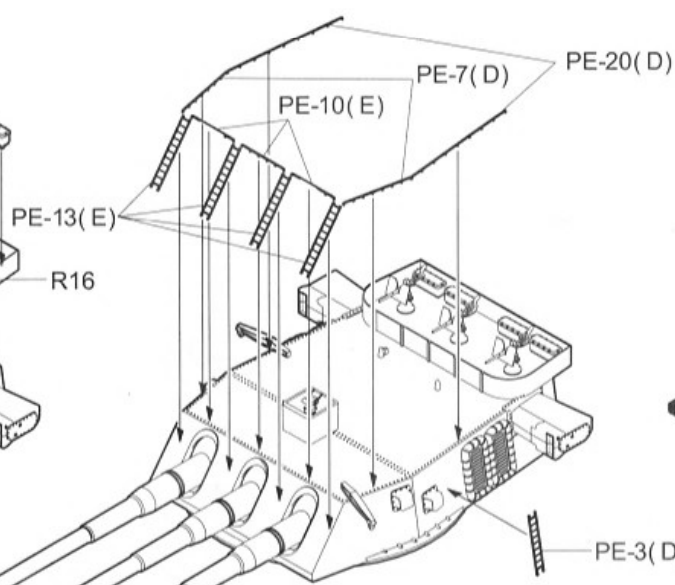
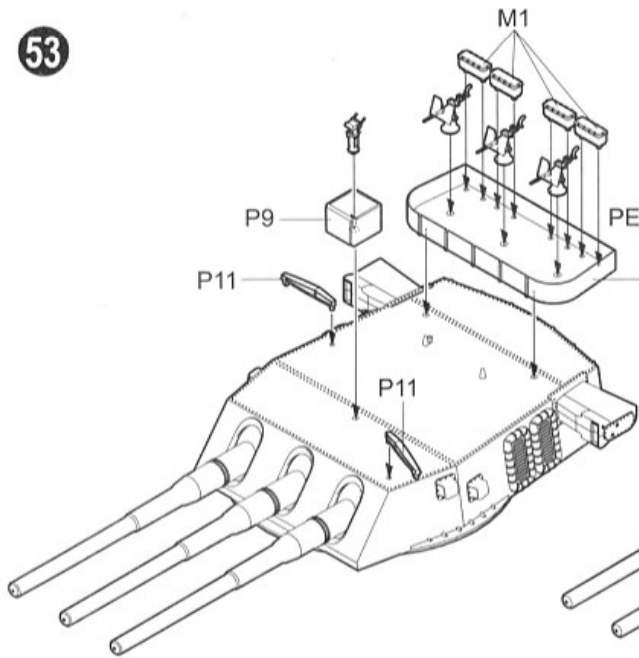
①
钻孔
Make hole



②
选择
Option

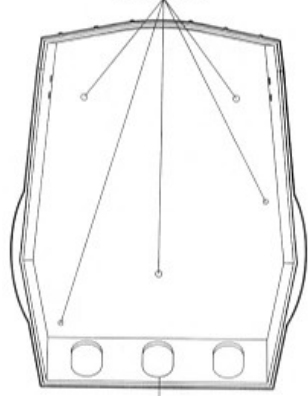


53

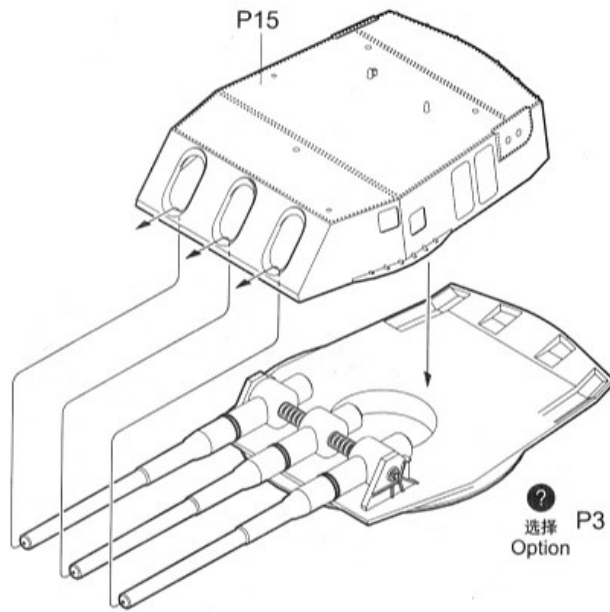


54

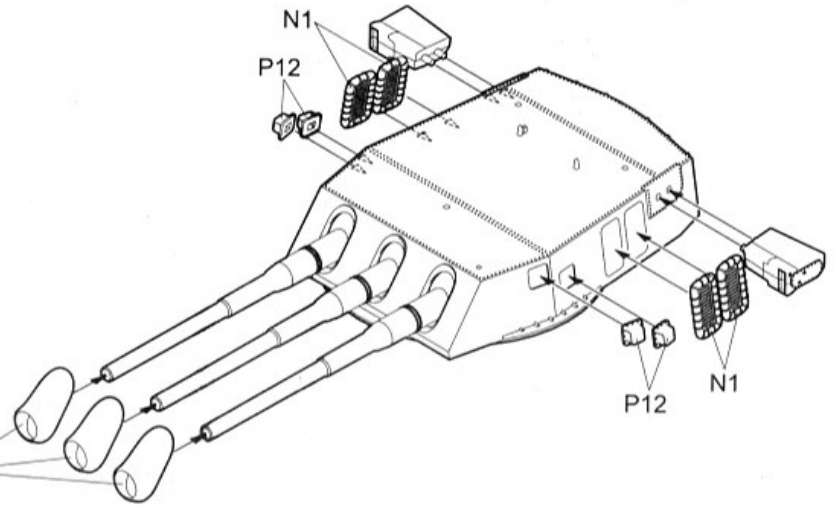
①
 钻孔
 Make hole



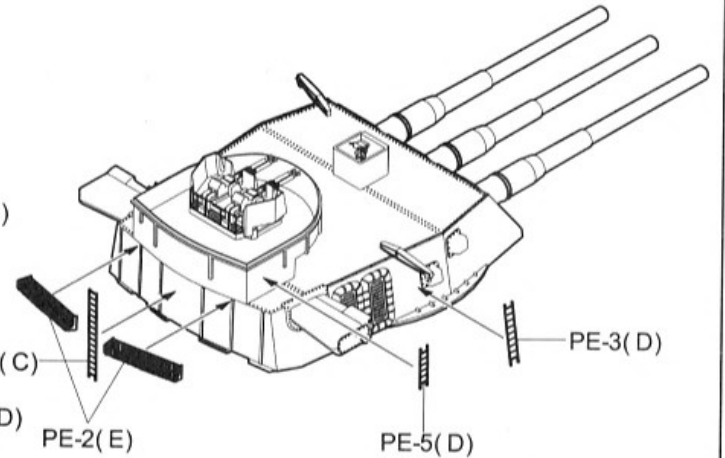
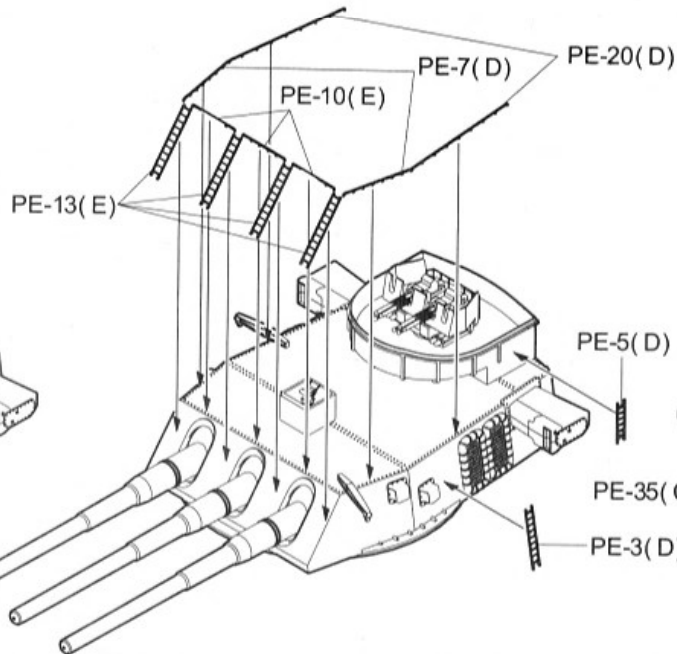
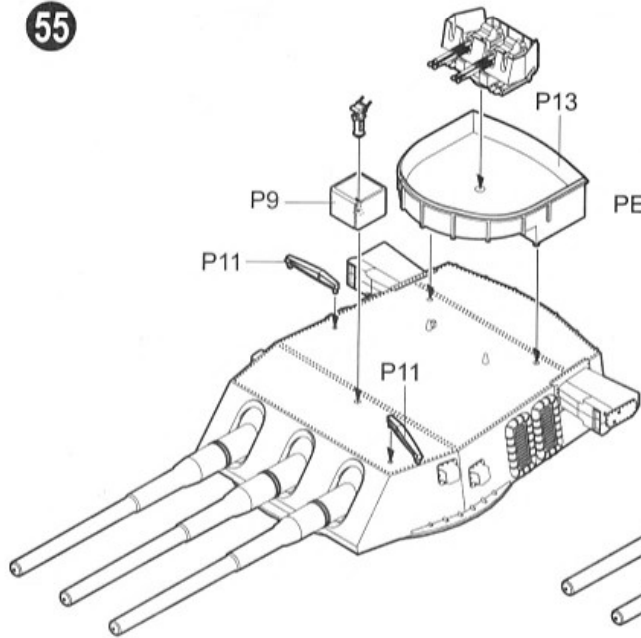
P15

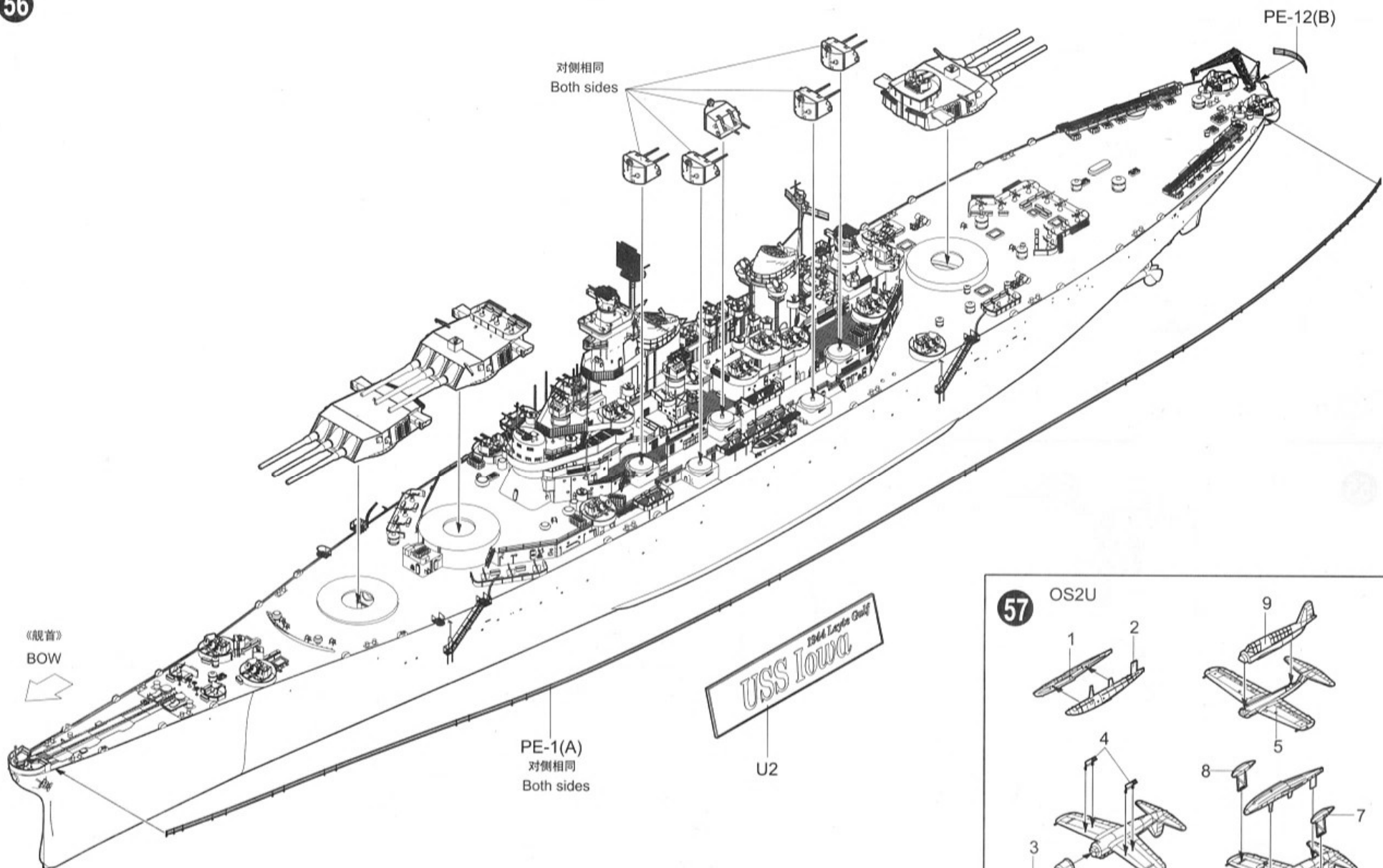


②
 选择
 Option

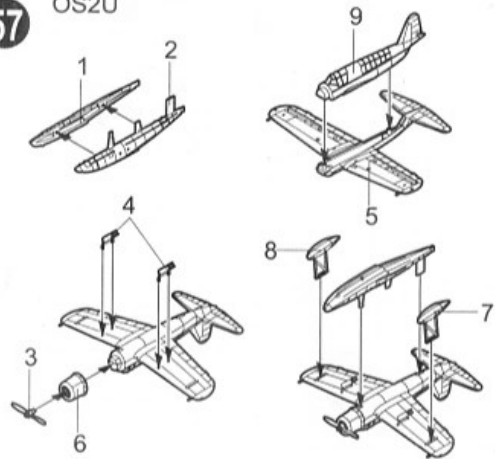


55





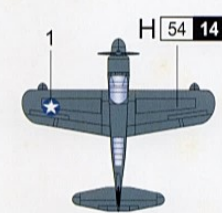
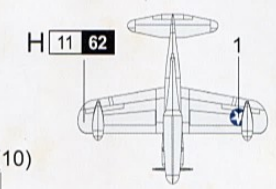
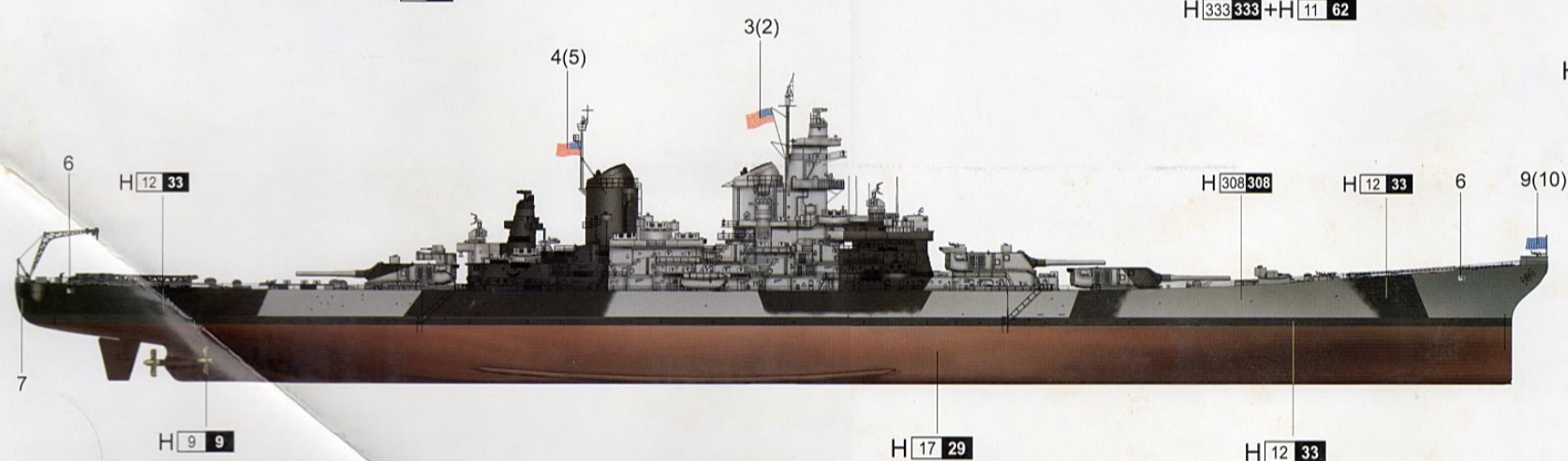
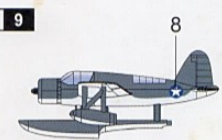
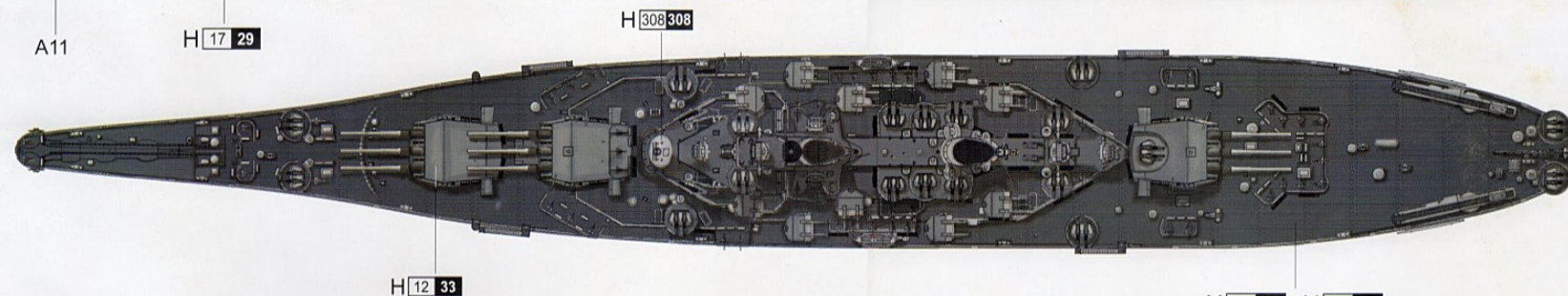
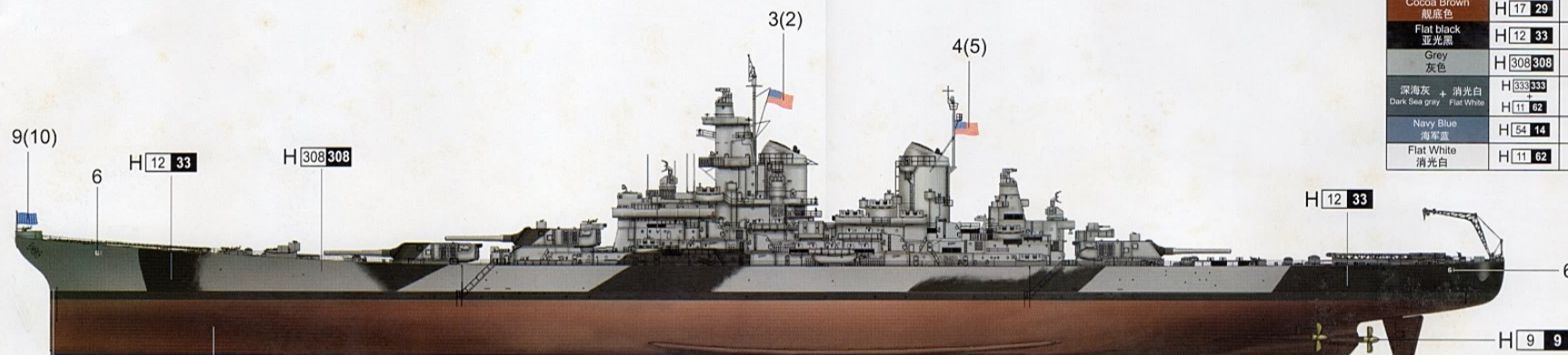
OS2U



涂装同标贴指示 Painting & Marking guide

PAINT REFERENCE COLOUR

Color	Mr.Hobby	Vallejo	Model Master	Tamiya	Humbrol
Gold 金色	H 9 9	878	174	X12	16
Cocoa Brown 舰底色	H 17 29	985	—	XF9	177
Flat black 亚光黑	H 12 33	950	1749	XF1	33
Grey 灰色	H 308 308	990	1728	XF19	127
深海灰 + 消光白 Dark Sea gray + Flat White	H 333 333 H 11 62	—	—	—	—
Navy Blue 海军蓝	H 54 14	898	—	—	77
Flat White 消光白	H 11 62	951	1768	XF2	34



H AQUEOUS HOBBY COLOR ■ Mr. COLOR

03706 1/200 USS Iowa BB-61