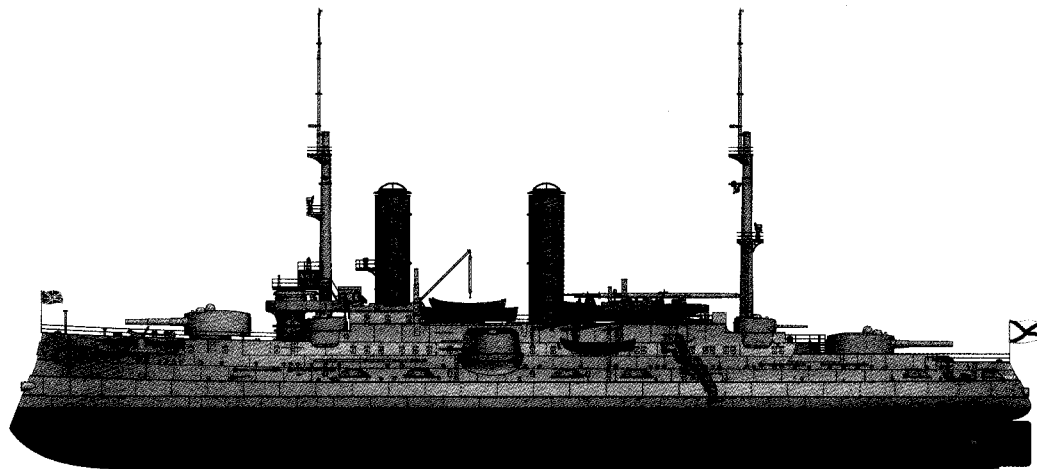


1/350 scale

ITEM NO.:05337



# Russian Navy Tsesarevich Battleship 1917

## 俄罗斯海军“皇太子”号战列舰1917年

### READ BEFORE ASSEMBLY:

- This kit is not recommended for inexperienced modelers or for children under 14 years of age
- Study and understand these instructions thoroughly before beginning assembly
- When needed, remove photo-etch parts carefully using a modeling knife or photo etch sprue cutter, being careful not to damage or lose small parts.
- Take extra care in handling photo etch parts in order to avoid injury
- Apply instant cement sparingly to photo etch parts where instructed

- Tools recommended(not included in kit):Plastic and instant cements,sprue cutters,long nose pliers,,modeling knife, small files, tweezers, pin vise & scissors. Soft cloth and sandpaper will also assist in construction
- Glue and paint are not included in the kit. Use plastic cement and hobby paints only. Color guide for purchasing paint is included in the kit.
- Keep out of reach of small children. They must not be allowed to ingest small parts or handle plastic bags in any way.

### 装配之前仔细阅读

- 小心用模型锉刀锉平所有零件表面的注射浇口。
- 小心用刀片切下蚀刻片零件，不要遗失小零件。
- 用强力快干胶水粘合蚀刻片零件和金属轴。过量的快干胶水使用可能导致可动零件会粘住，小心涂胶。
- 取蚀刻片时应特别注意安全，防止利边划伤手指。
- 某些零件表面需贴水上贴纸，请选择在装配的同时进行。
- 推荐模型工具(自备)：胶水，水口剪刀，长咀钳，刀片，锉刀，镊子钳，钻，剪刀，瞬间快干胶。
- 软布同砂纸同时也应该是必备工具。
- 请使用塑料胶水和油漆，模型内不含。
- 谨防小孩吸吮塑料零件，或者将塑料袋套在头上，制作时应将套材远离小孩接触。
- 本产品不适合14岁以下没有经验的模型爱好者。

### 水贴纸的使用:

1. 从水贴纸上剪下印花;
2. 将印花放入温水中浸10秒, 然后放在干净布上.
3. 拿着印花纸板将印花移到模型上;
4. 手指蘸水将印花移到适当的位置;
5. 用软布轻压印花直至水干, 气泡消失.

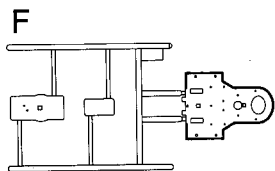
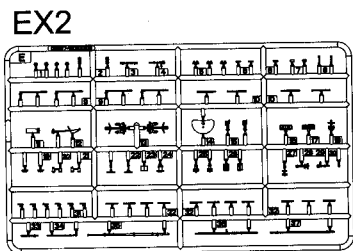
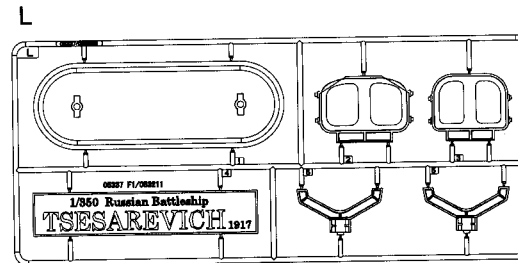
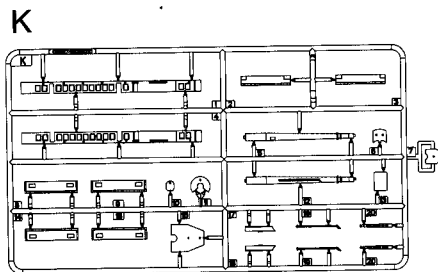
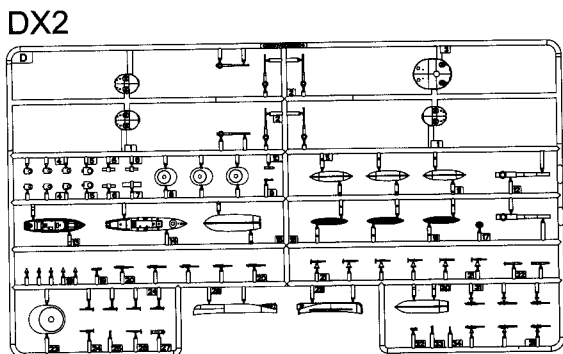
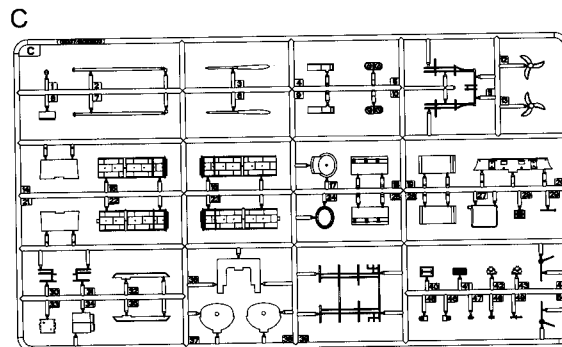
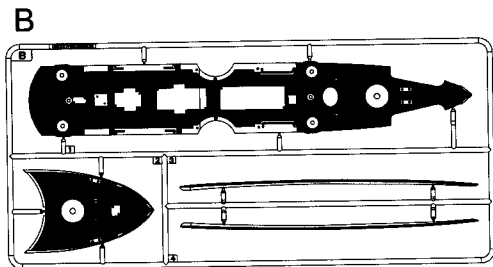
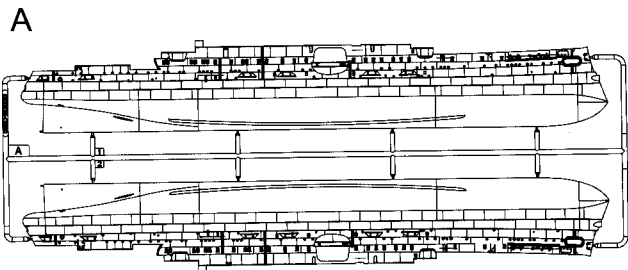
### DECAL APPLICATION:

1. Cut decals from sheet as needed
2. Dip the decal in warm water for about 10 seconds and then place on soft clean cloth.
3. Hold the decal backing sheet edge and gently slide the decal onto the model in its proper position.

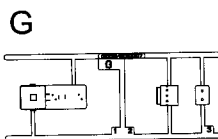
4. While still wet,decal can be adjusted for better fit on model by dampening it gently with your finger.
5. When placed in the proper position,gently press decal down with a soft cloth until excess water and air bubbles are gone.
6. Allow decal to dry completely before handling model



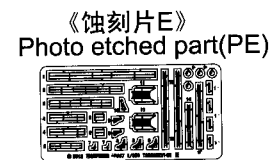
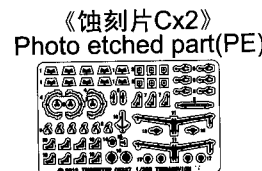
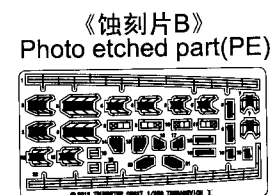
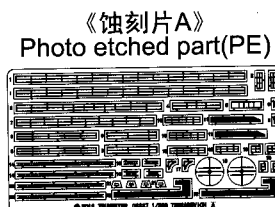
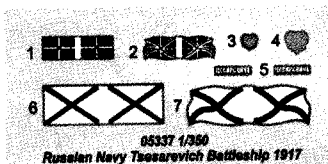
部品图  
Parts



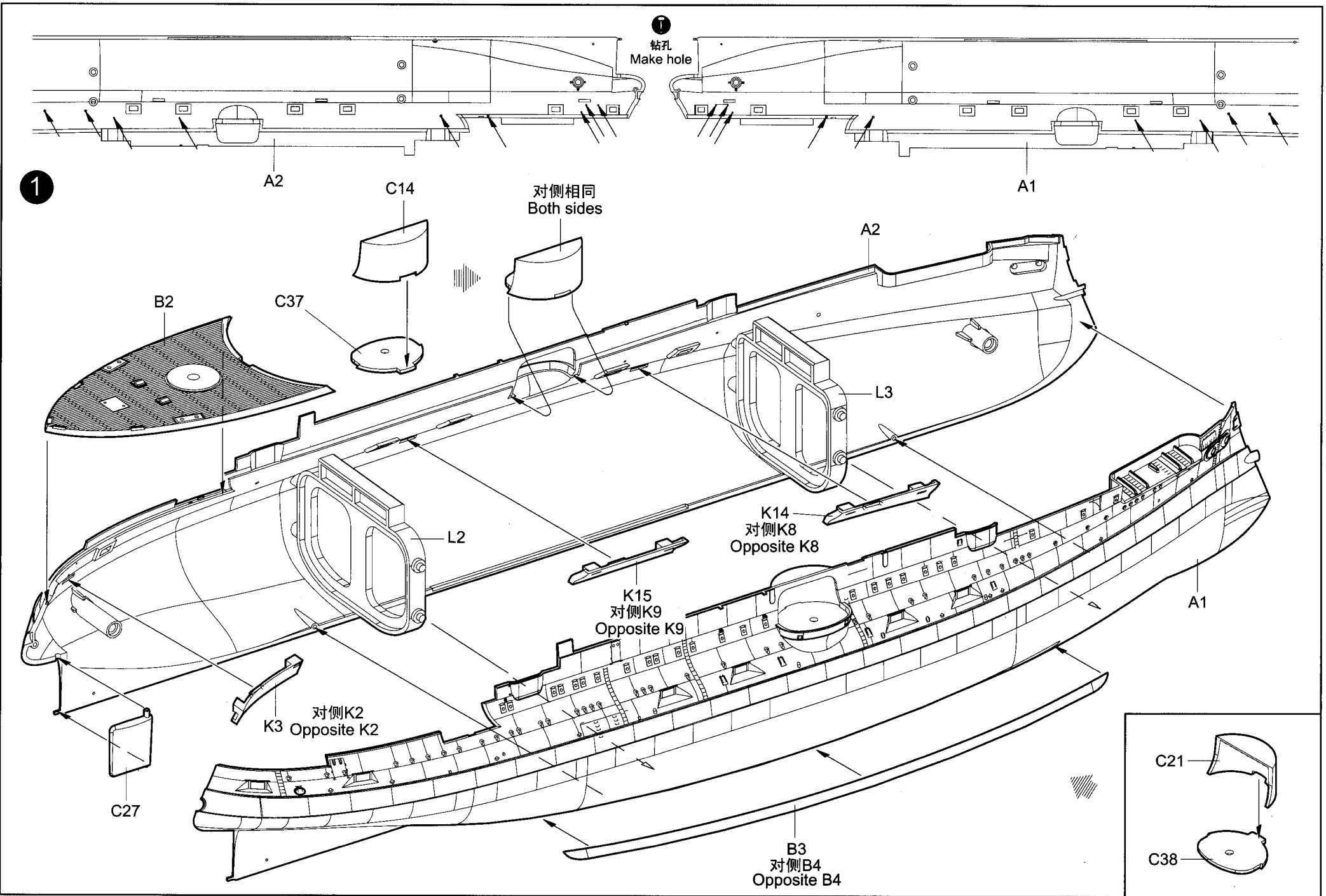
《金属锚链》  
Metal chain: 长:150mm



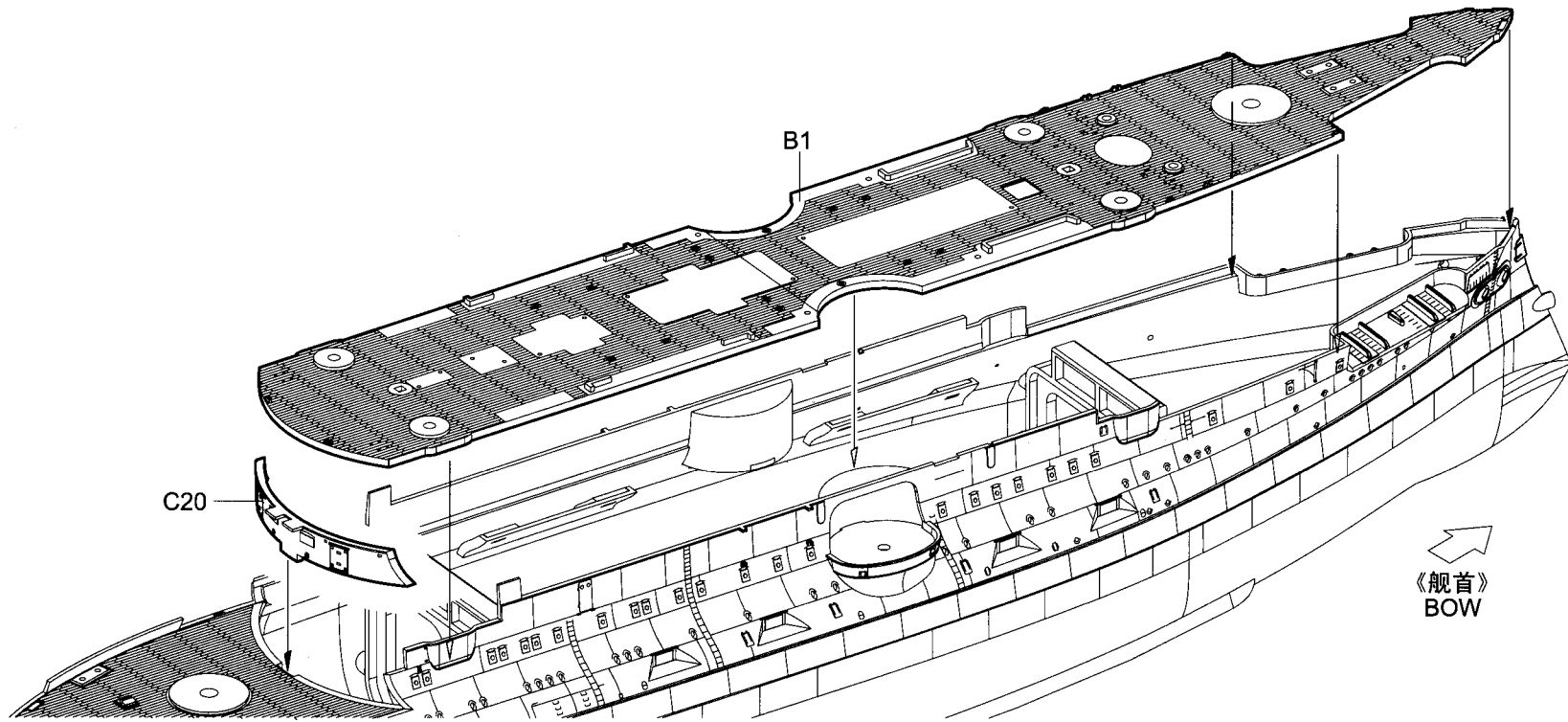
《水贴纸》  
Decal



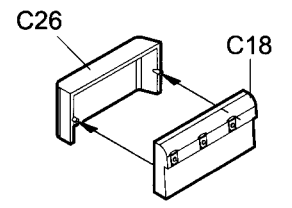
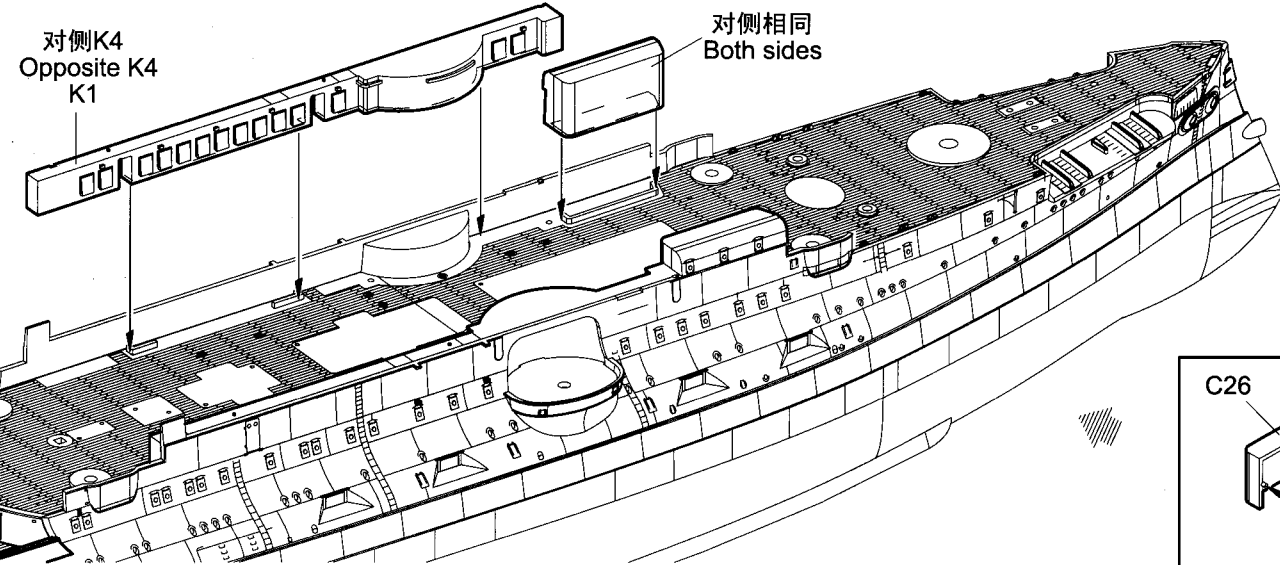
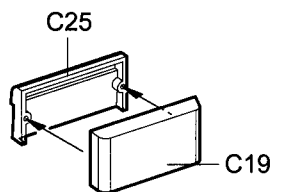
不用的部件: C5;C10;D21;D31  
Unused parts C5;C10;D21;D31

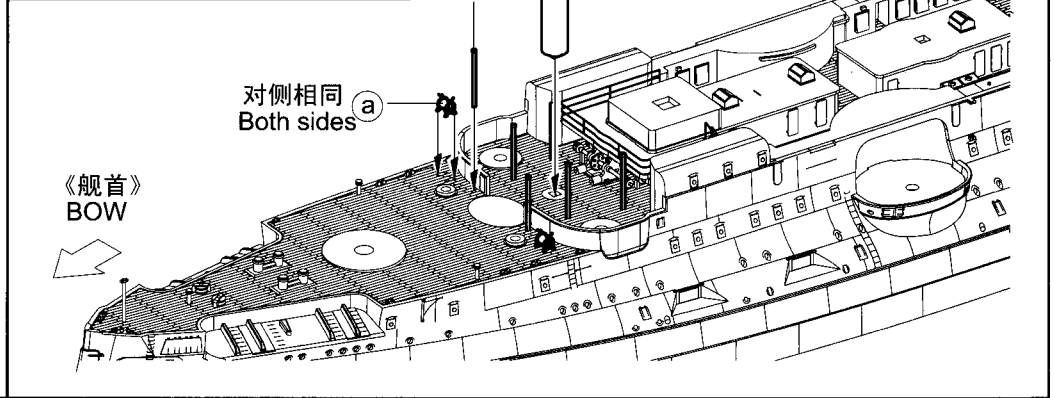
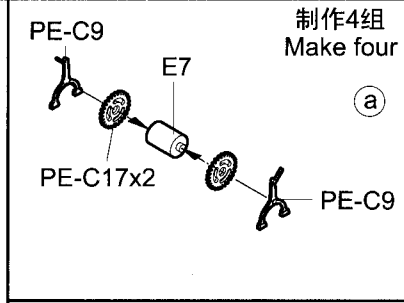
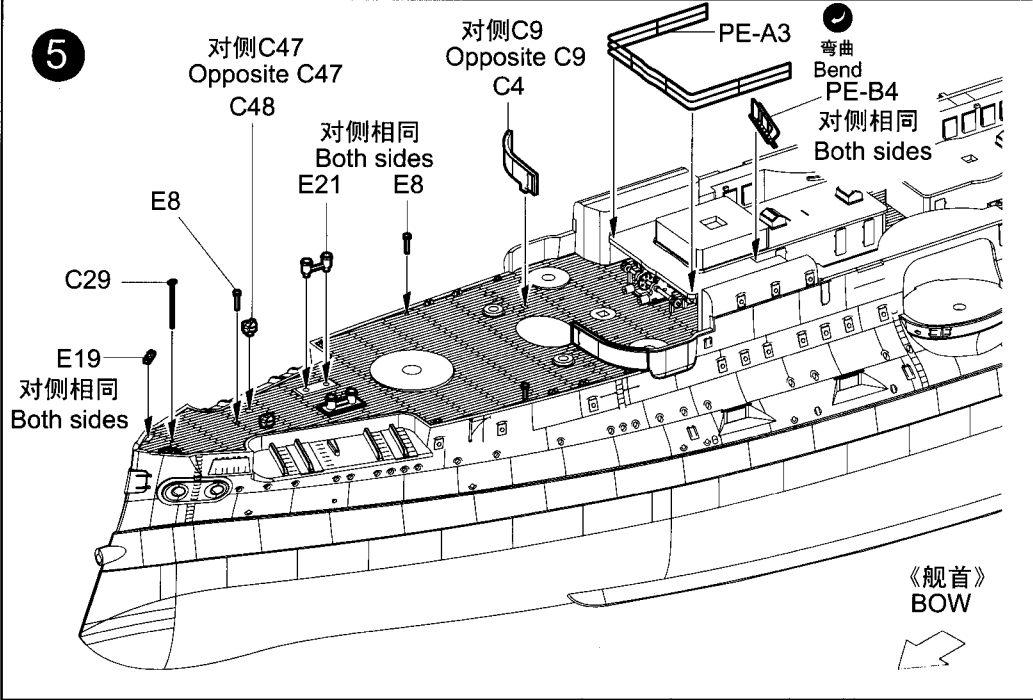
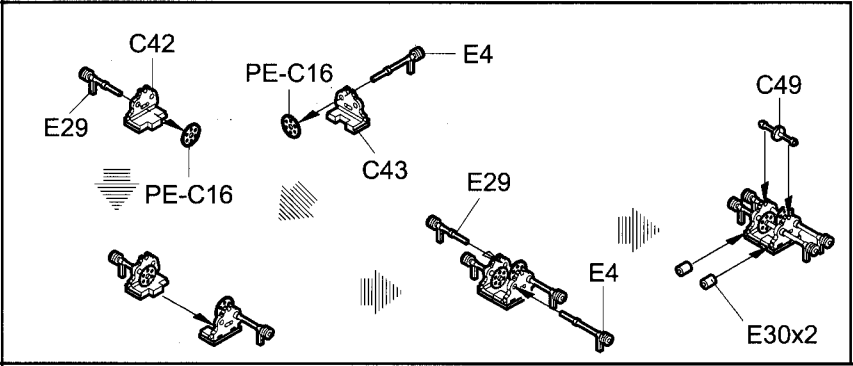
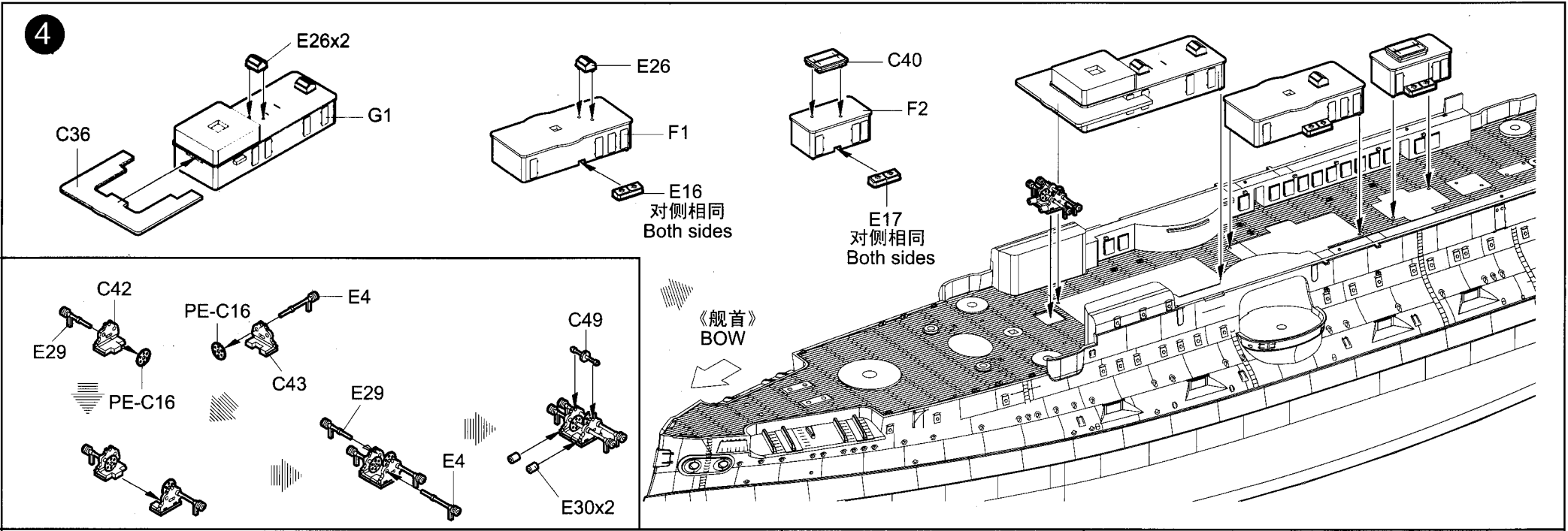


2

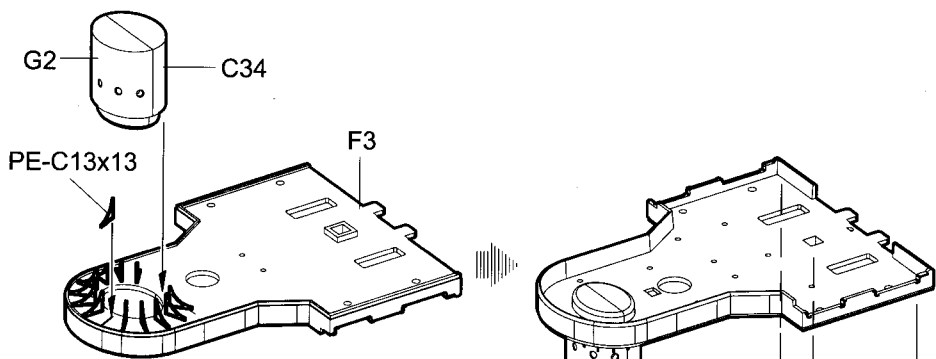


3

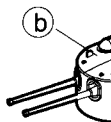




7



对侧相同  
Both sides



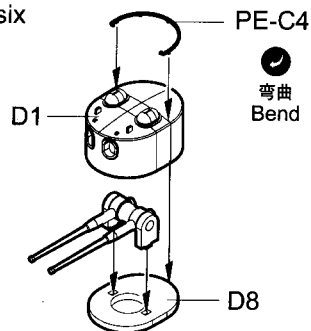
E24  
对侧相同  
Both sides

《舰首》  
BOW



制作6组  
Make six

(b)

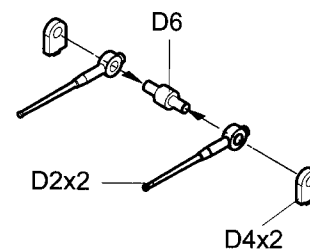


PE-C4

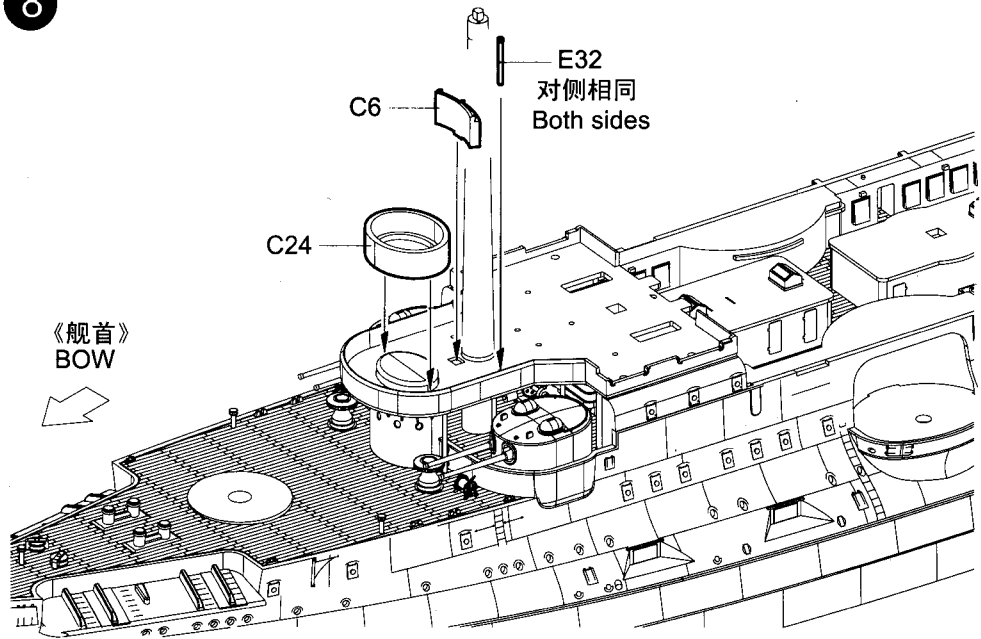


弯曲  
Bend

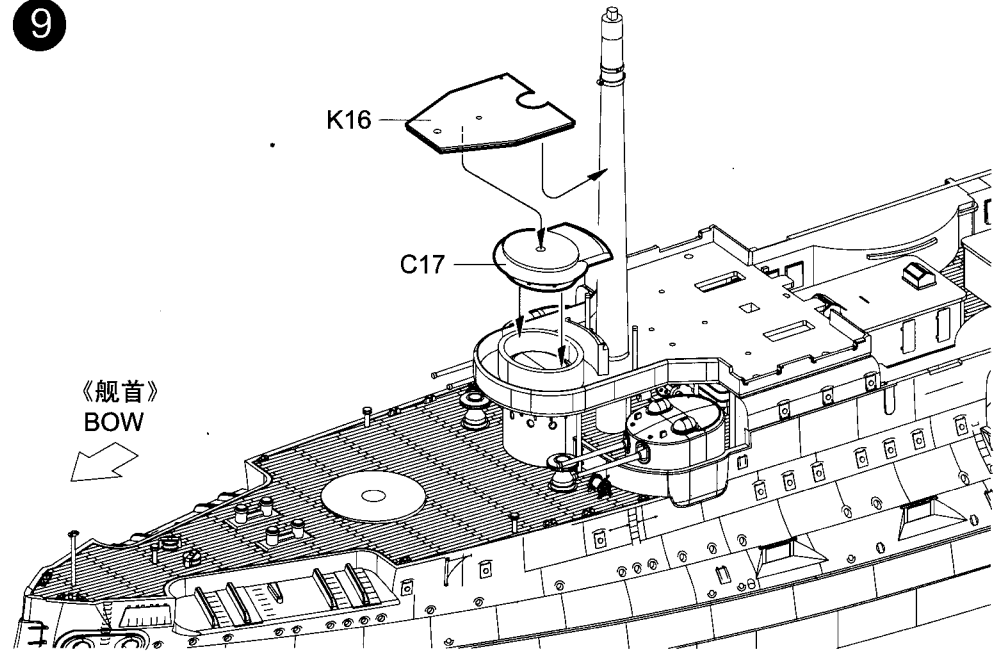
弯曲示意图  
Bending diagram



8

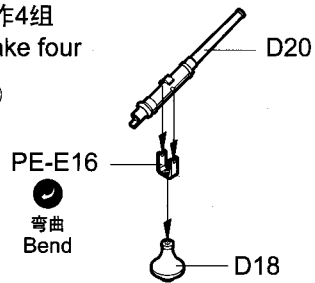


9

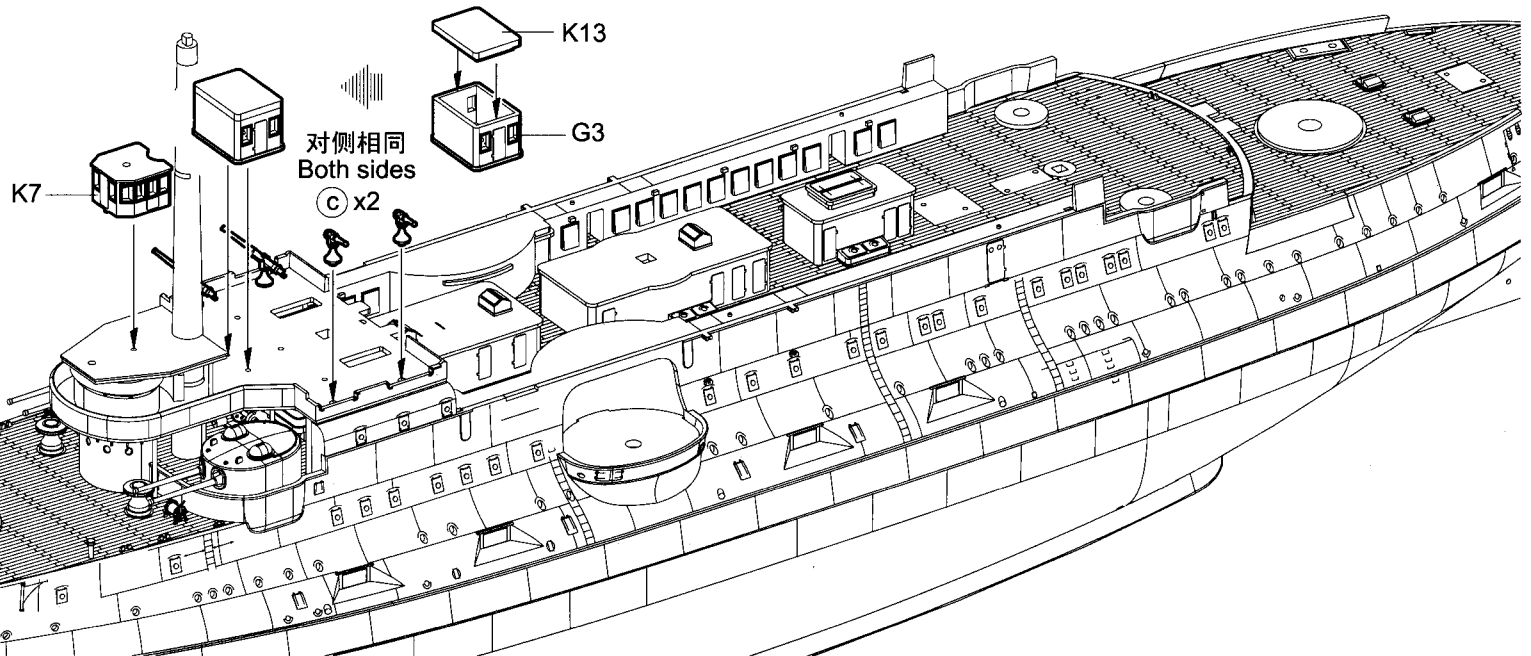


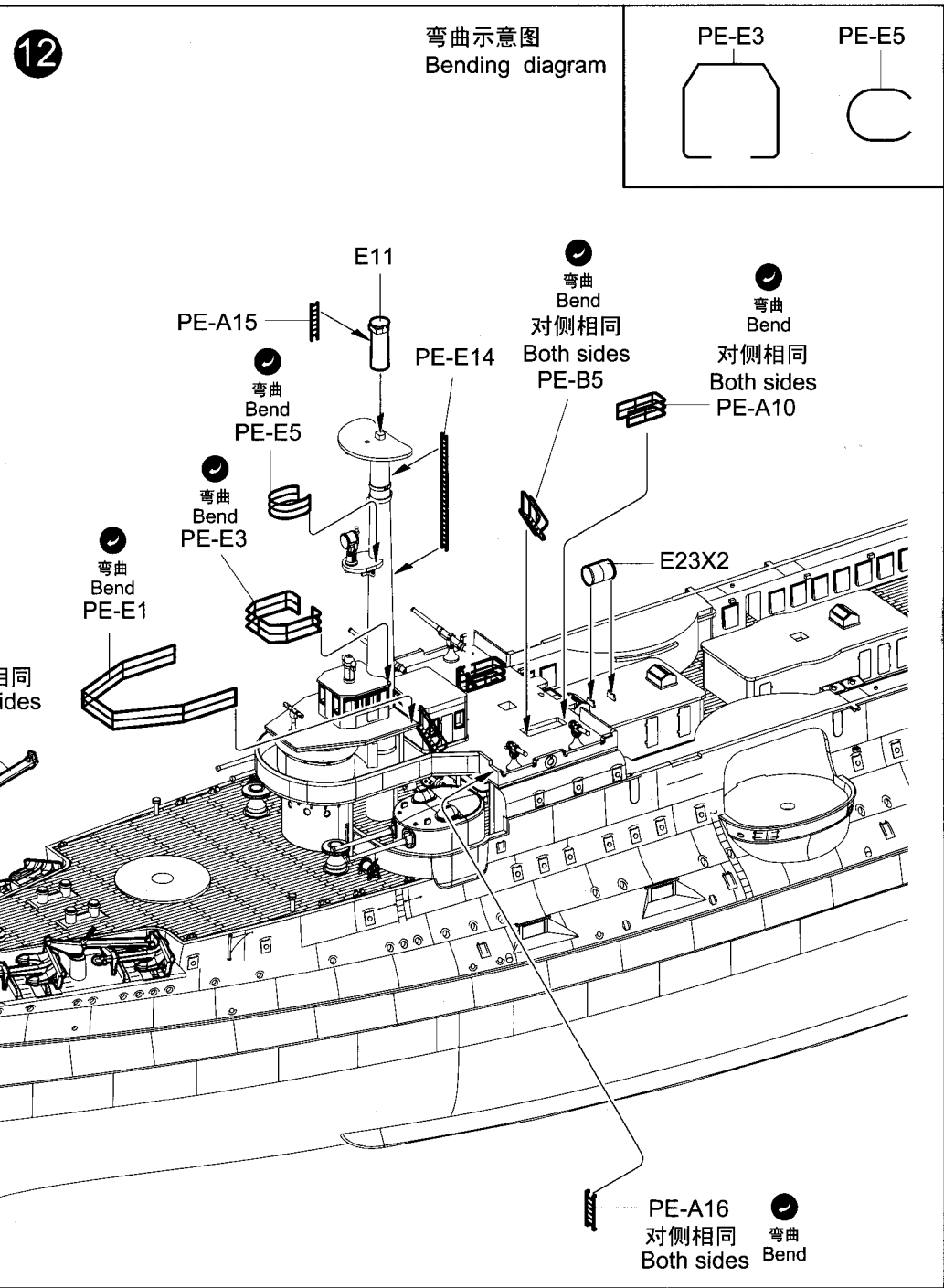
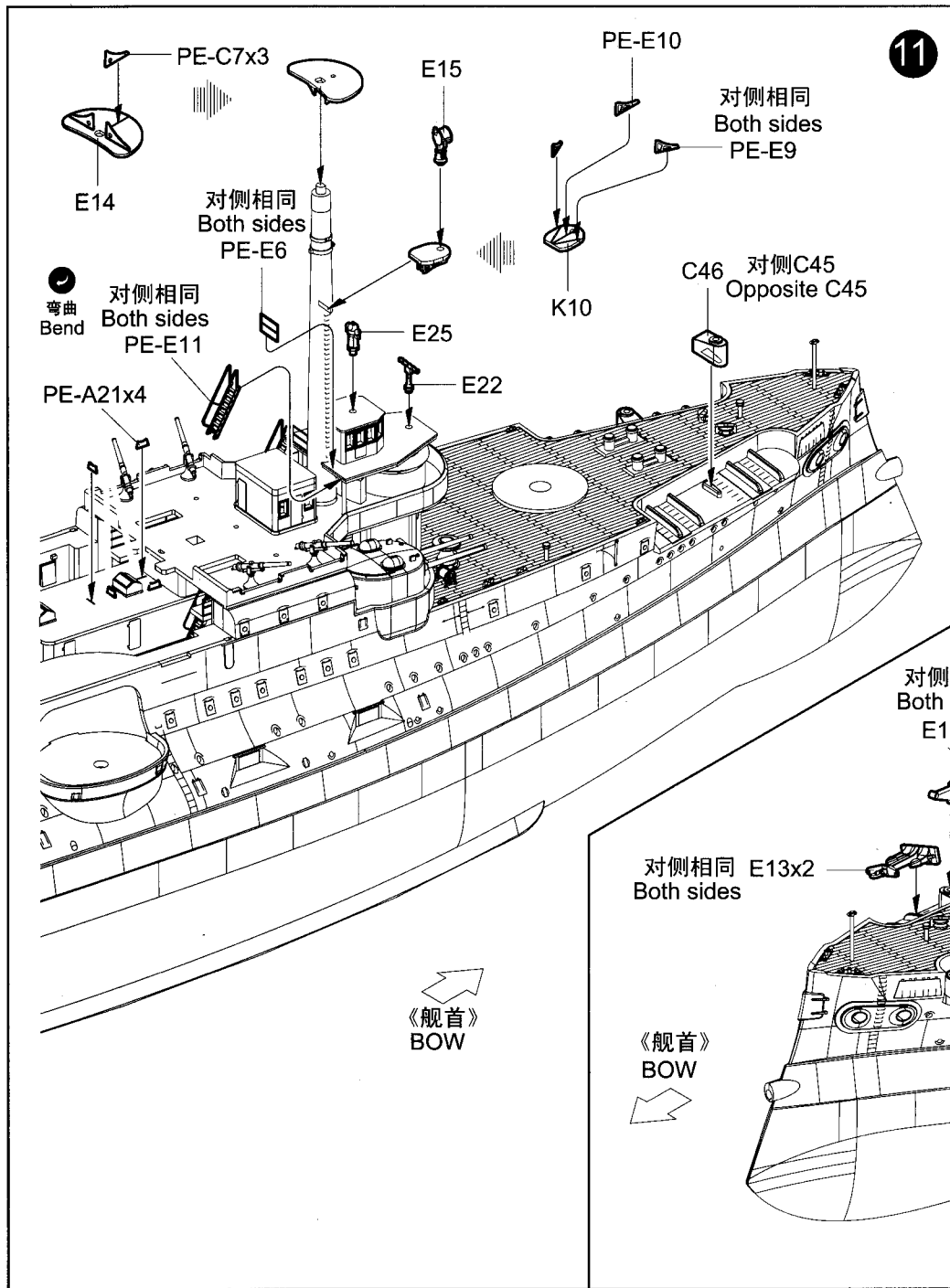
制作4组  
Make four

Ⓒ

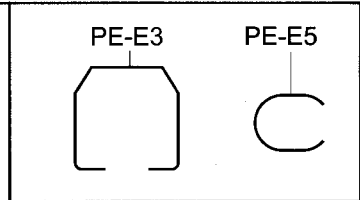


10

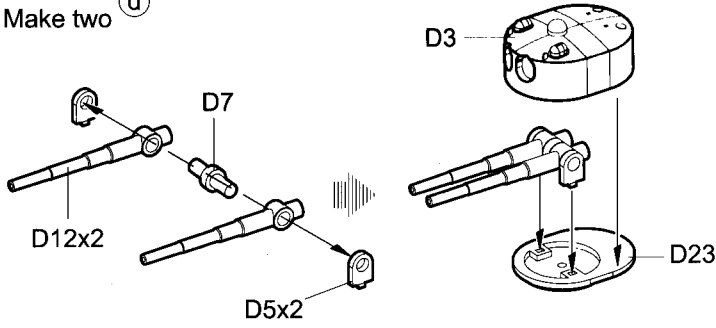




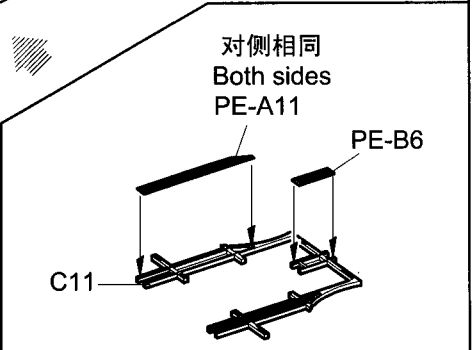
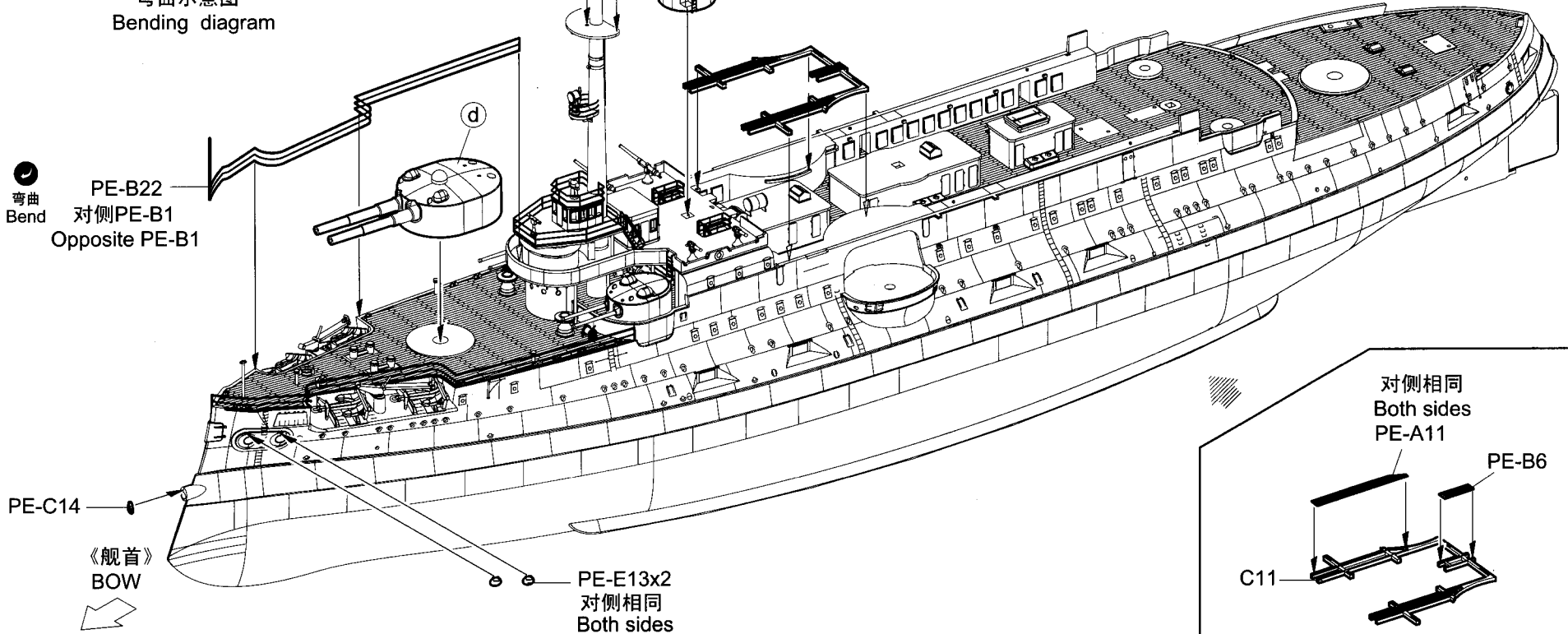
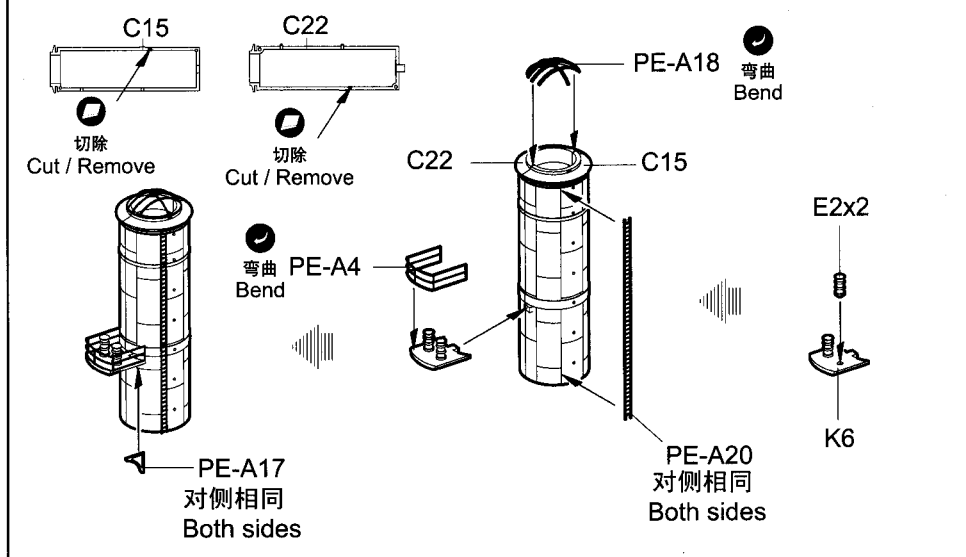
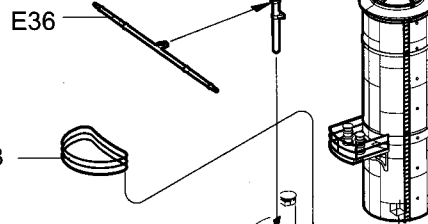
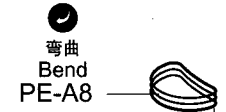
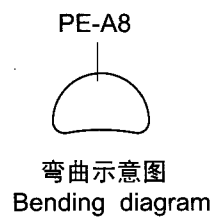
弯曲示意图  
Bending diagram



制作2组  
Make two (d)

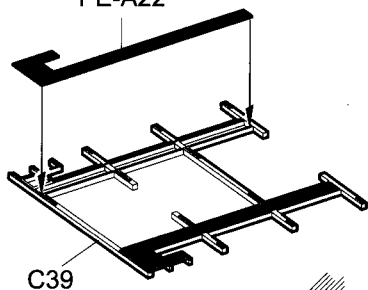


13

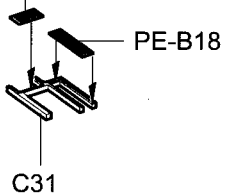


14

对侧相同  
Both sides  
PE-A22



PE-B19



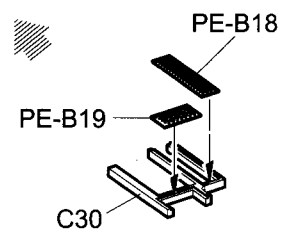
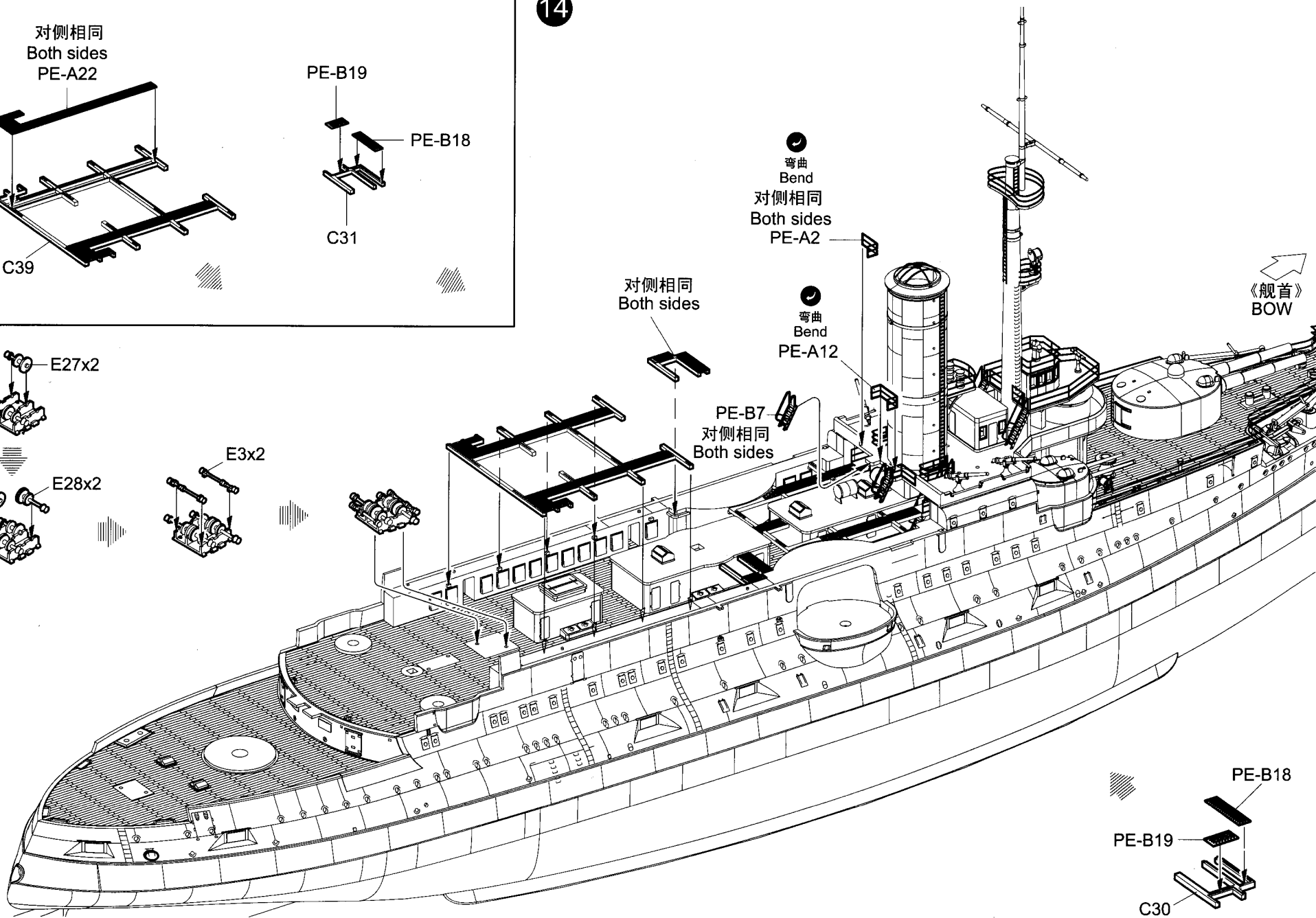
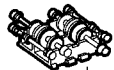
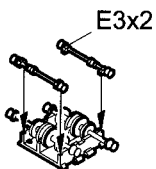
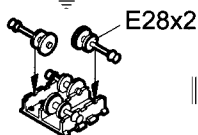
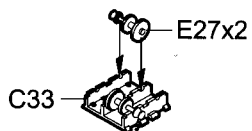
弯曲  
Bend  
对侧相同  
Both sides  
PE-A2

弯曲  
Bend  
PE-A12

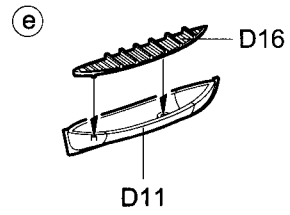
对侧相同  
Both sides

PE-B7  
对侧相同  
Both sides

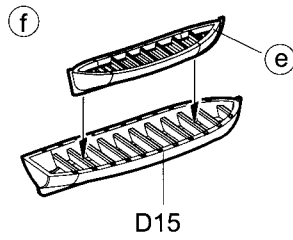
《舰首》  
BOW



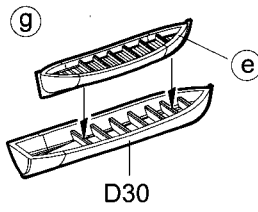
制作4组  
Make four



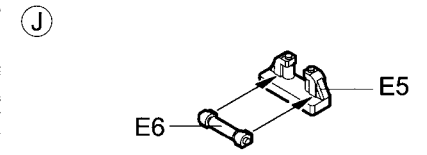
制作4组  
Make two



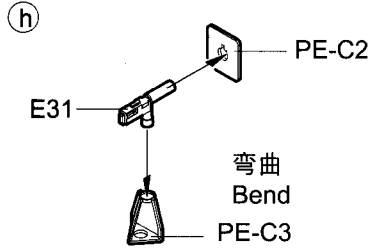
制作4组  
Make two



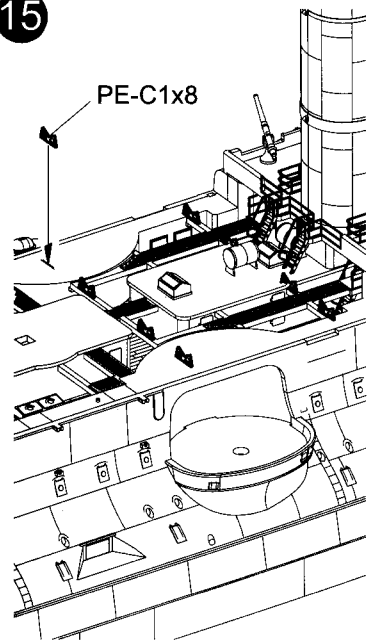
制作6组  
Make six



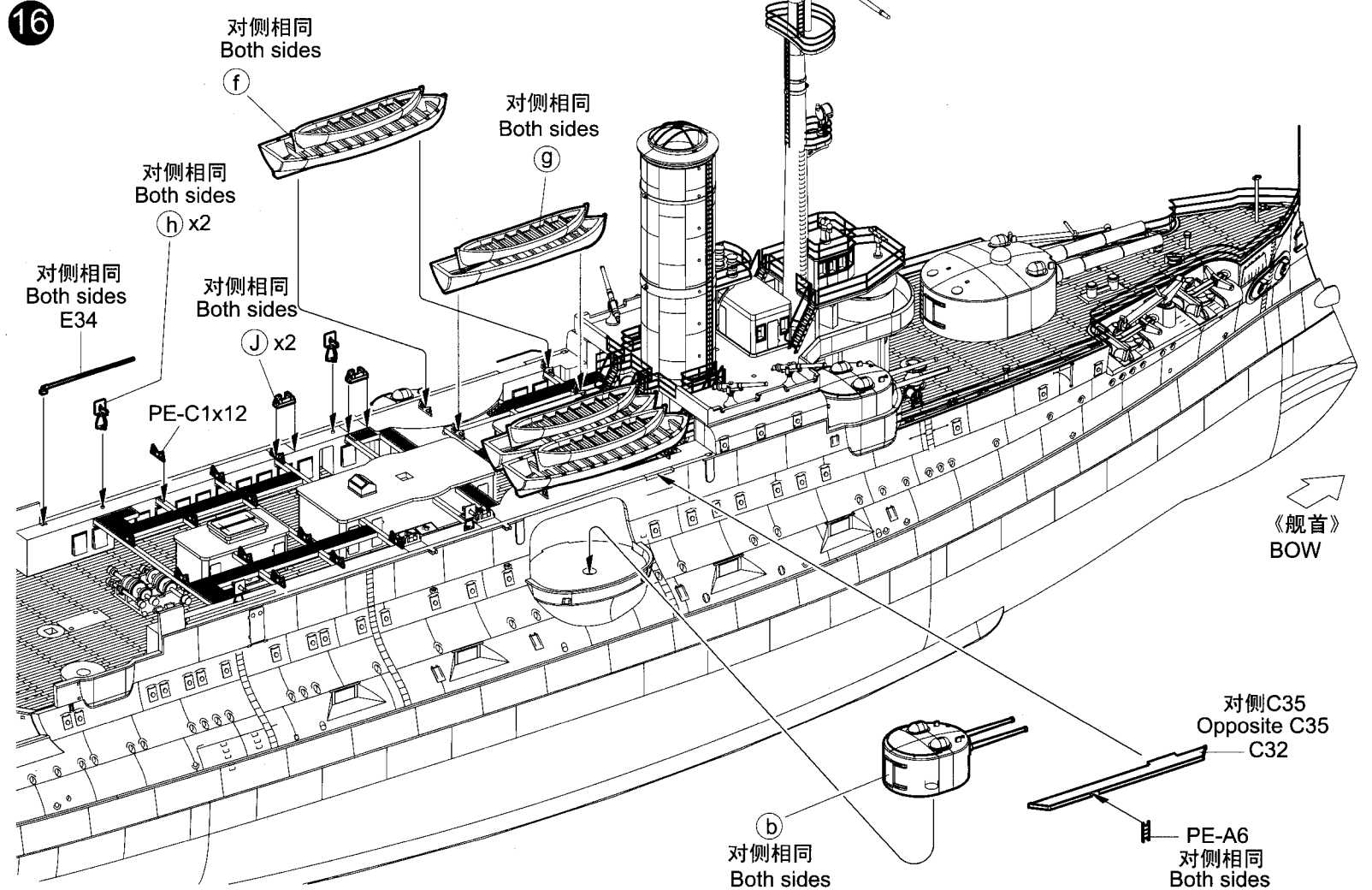
制作6组  
Make six

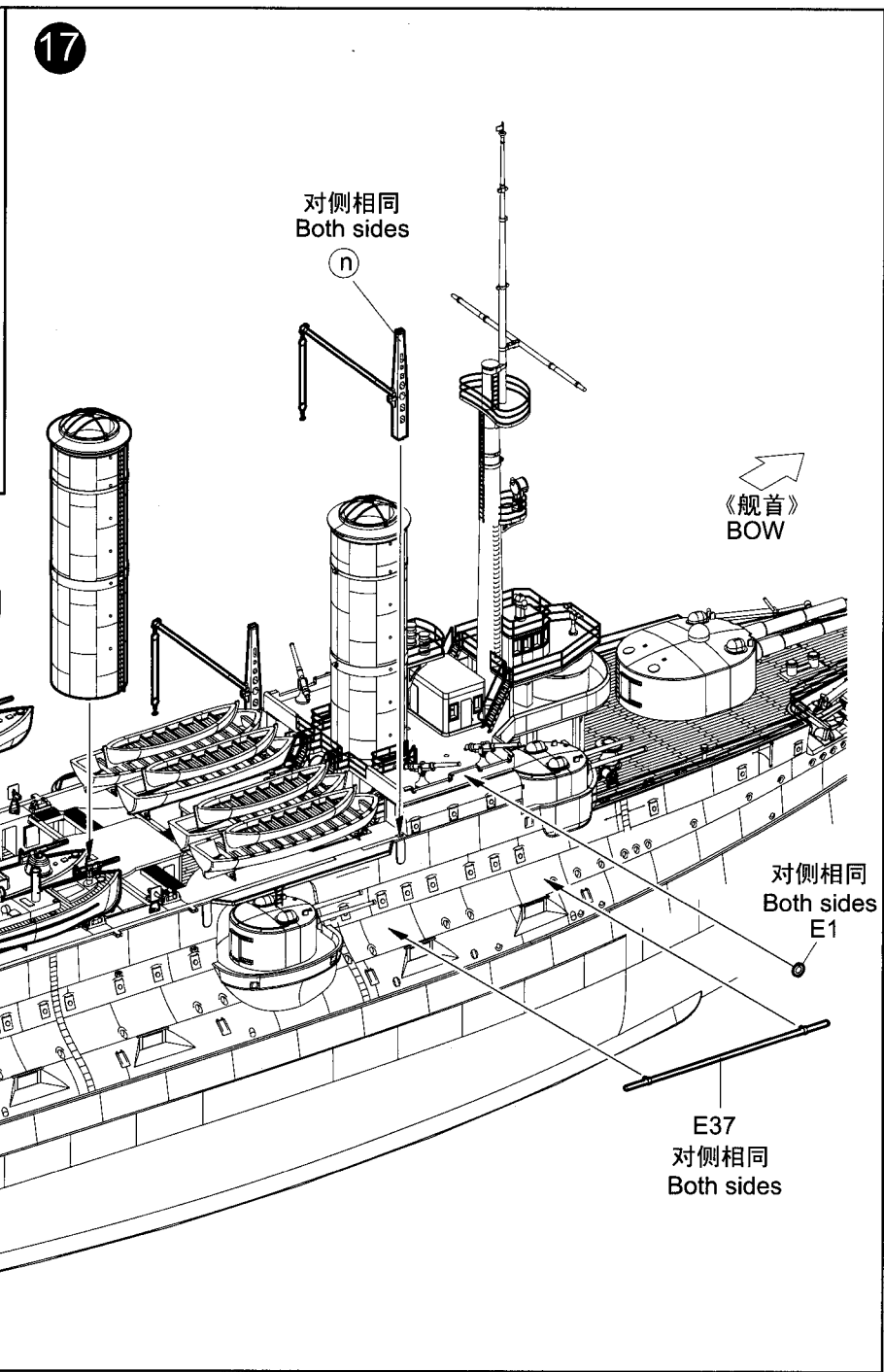
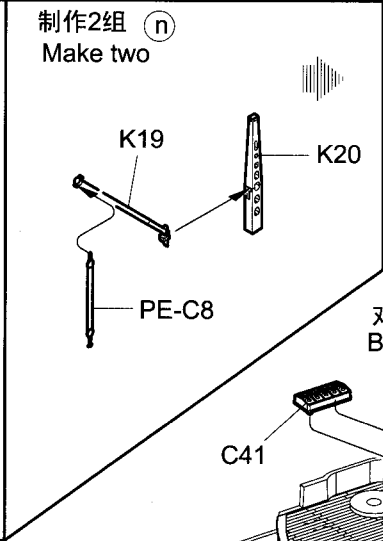
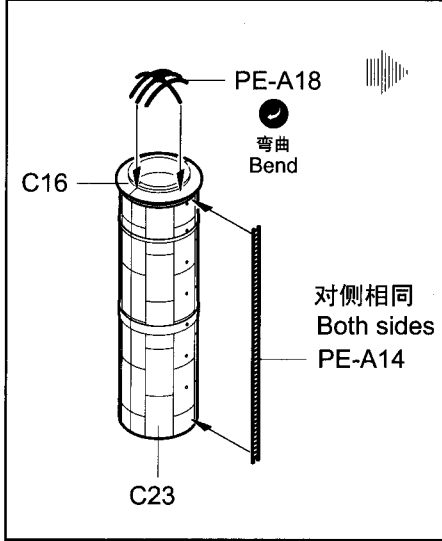
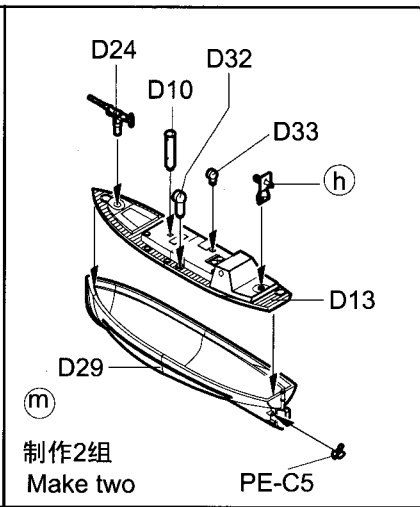
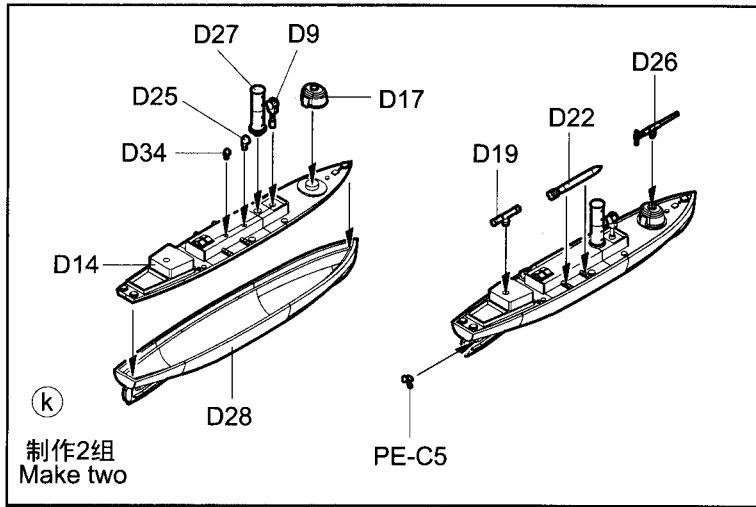


15



16





● 对侧相同  
弯曲 Both sides  
Bend PE-A1

● 弯曲  
Bend  
对侧相同  
Both sides  
PE-E4

E1X2  
对侧相同  
Both sides

对侧相同  
Both sides

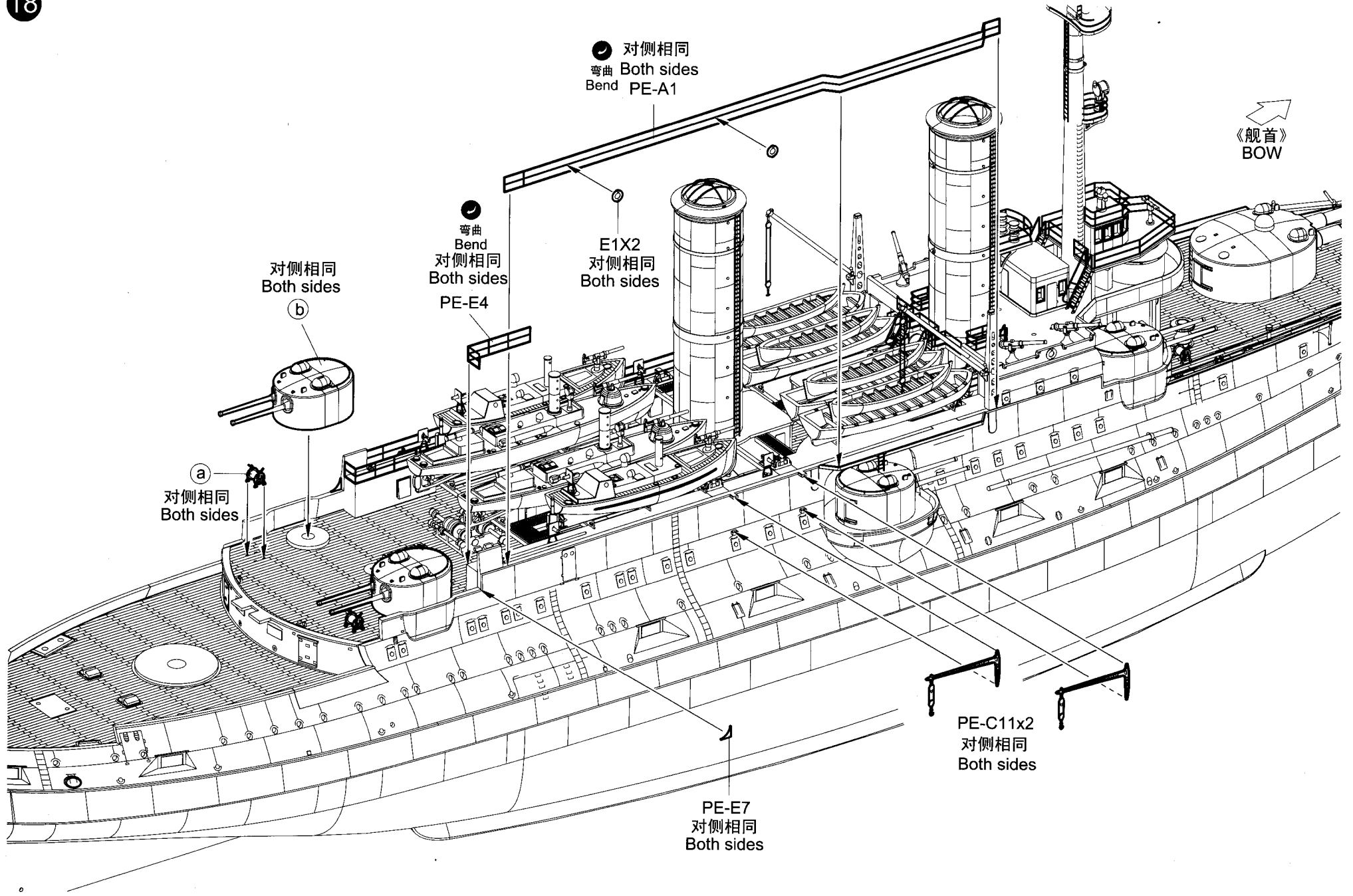
b

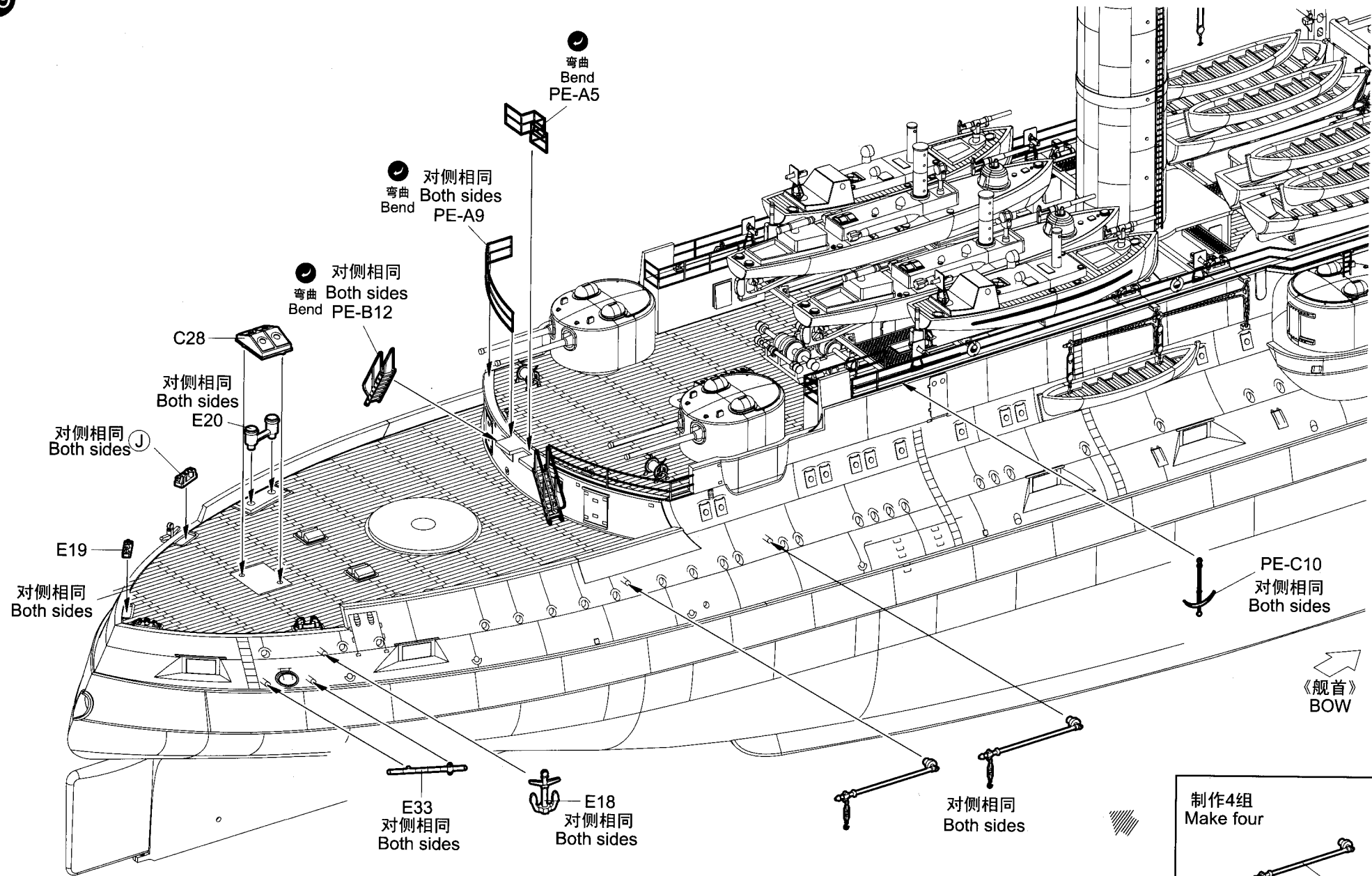
a  
对侧相同  
Both sides

《舰首》  
BOW

PE-C11x2  
对侧相同  
Both sides

PE-E7  
对侧相同  
Both sides

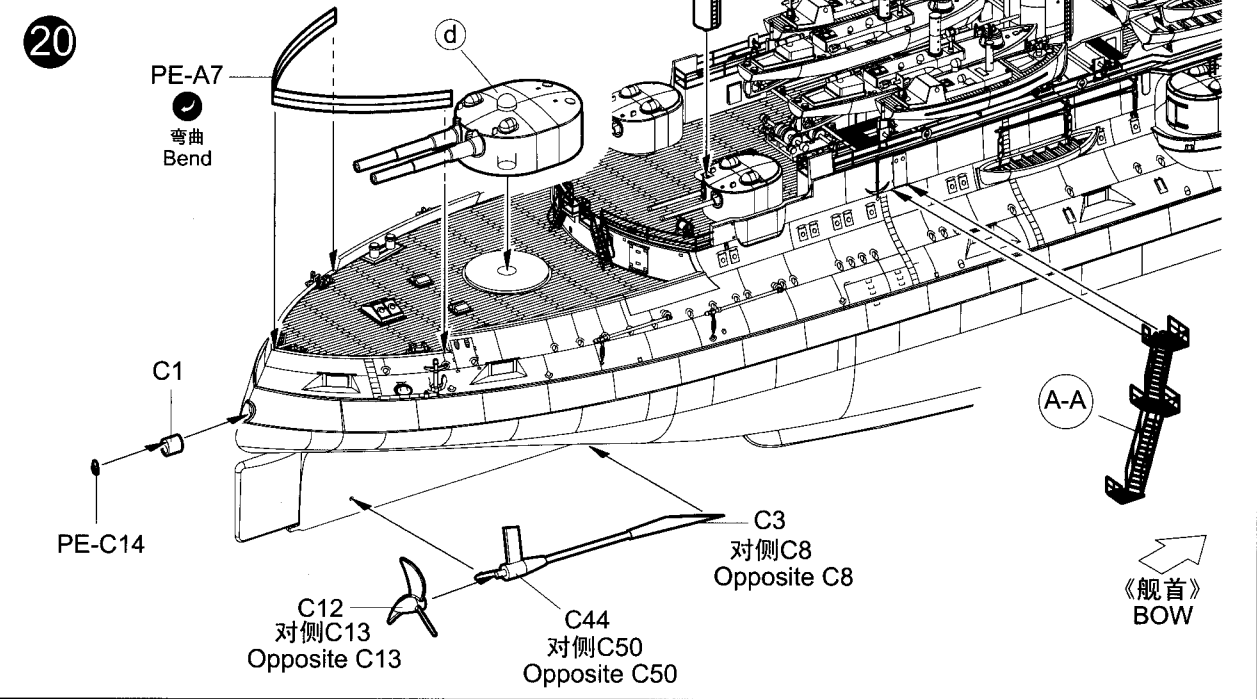
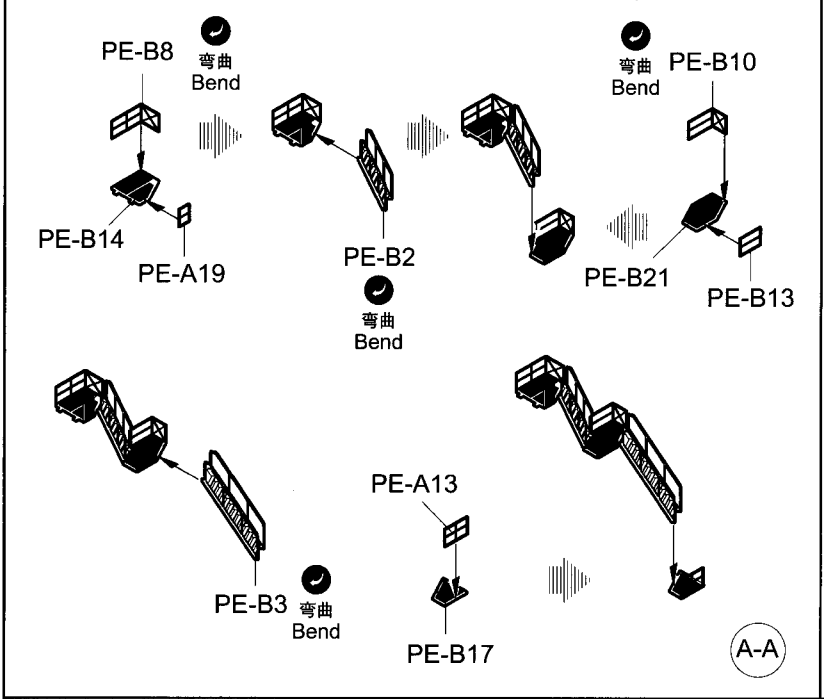
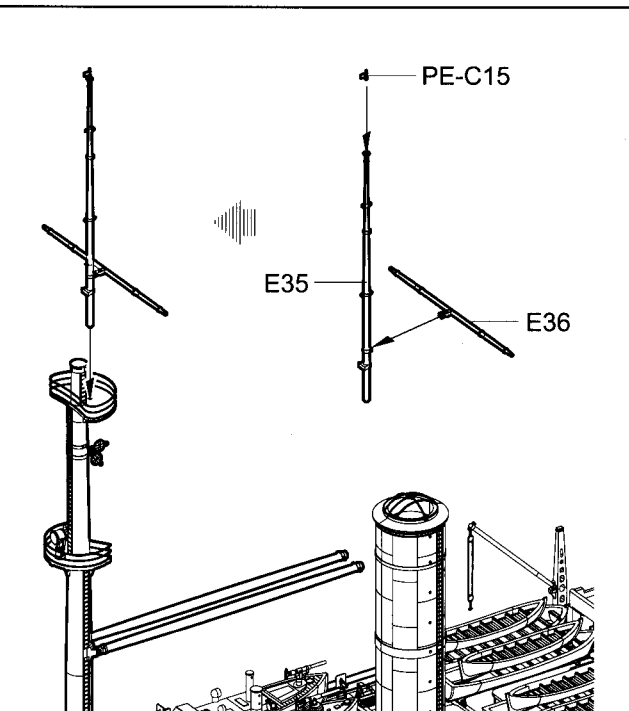
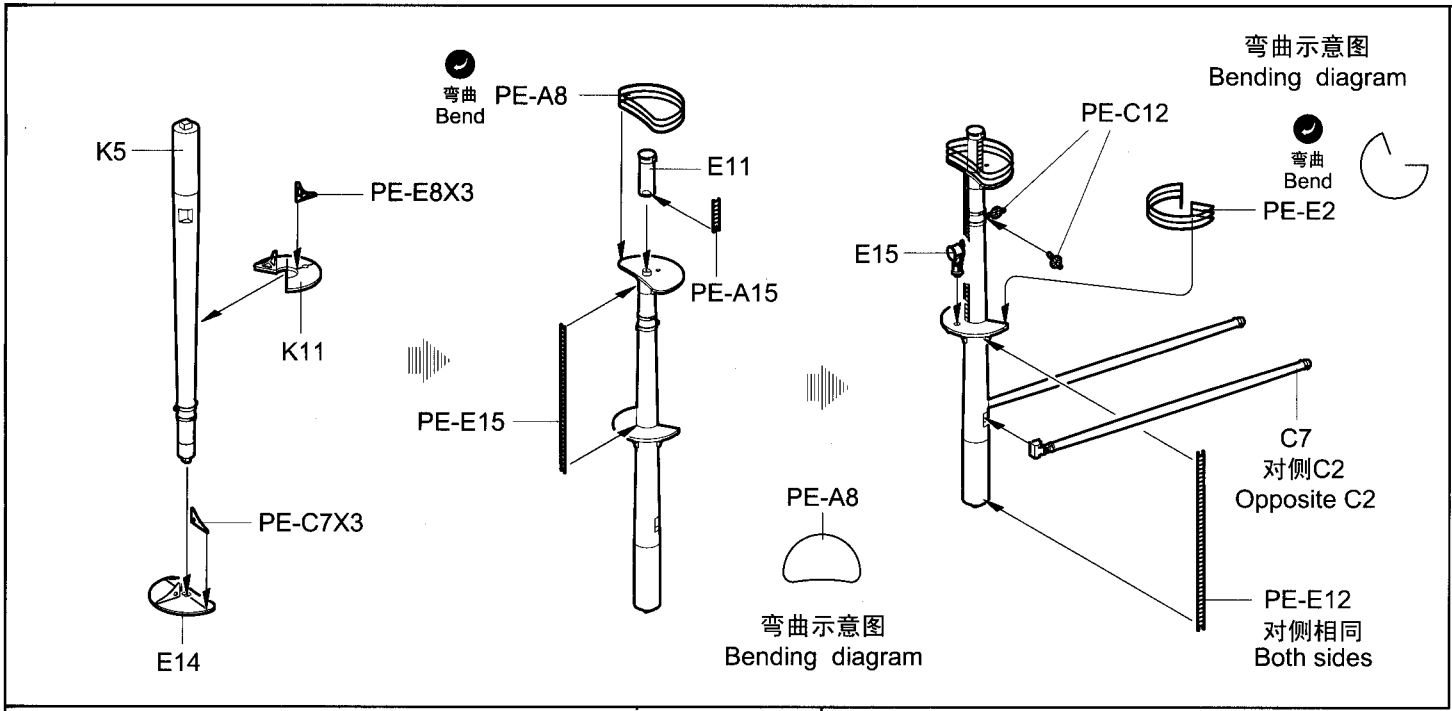


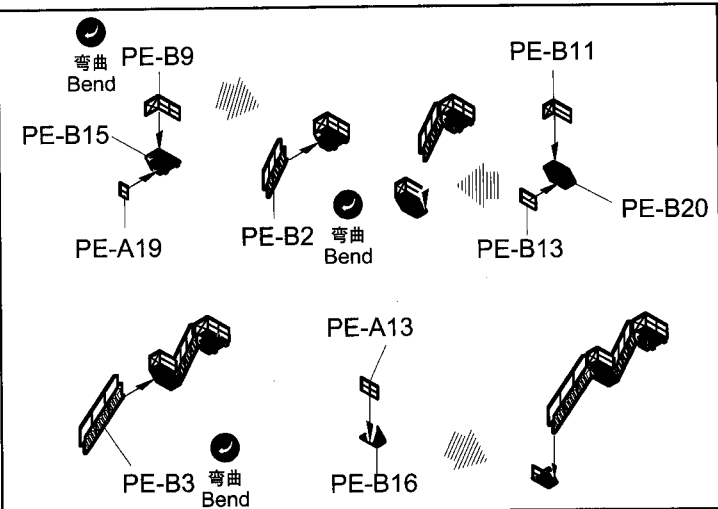


制作4组  
Make four

E9

PE-C5





21

