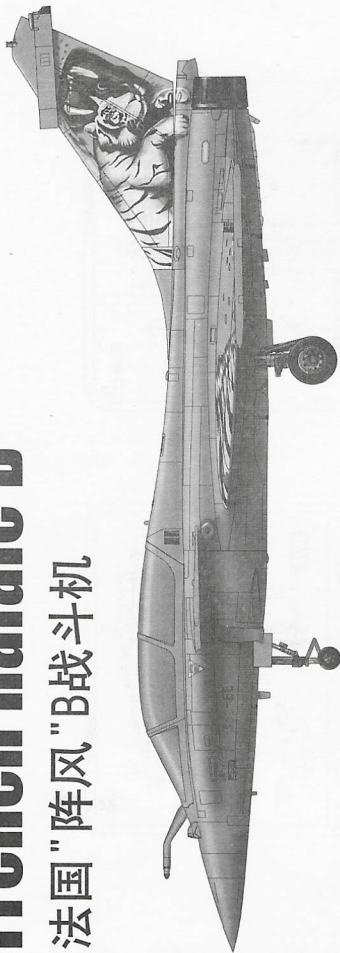


French Rafale B 法国“阵风”B战斗机



READ BEFORE ASSEMBLY:

装配之前仔细阅读

- Study and understand these instructions thoroughly before beginning assembly
 - When needed, remove photo-etch parts carefully using a modeling knife or photo etch sprue cutter, being careful not to damage or lose small parts.
 - Take extra care in handling photo etch parts in order to avoid injury
 - Apply instant cement sparingly to photo etch parts where instructed
 - Tools recommended(not included in kit):Plastic and instant cements, sprue cutters,long nose pliers,modeling knife, small files, tweezers, pin vise & scissors. Soft cloth and sandpaper will also assist in construction
 - Glue and paint are not included in the kit. Use plastic cement and hobby paints only. Color guide for purchasing paint is included in the kit.
- 小心用微型镊刀锯平所有零件表面的注塑浇口。
 - 小心用刀片切下蚀刻片零件，不要丢失小零件。
 - 用强力快干胶水粘合蚀刻片零件和金属轴。过量快干胶水使用可能导致可动零件会粘住，小心涂胶。
 - 取蚀刻片时应特别注意安全，防止利刃划伤手指。
 - 某些零件表面需贴上火贴纸，请选择在装配的同时进行。
 - 推荐模型工具(自备)：胶水、水口剪刀、长阻钳、刀片、镊子、钳、钻、剪、剪、瞬间快干胶。
 - 软布同砂纸同时也应该是必备工具。
 - 请使用塑料胶水和油漆，模型内不会。



配重
Weight



使用强力胶
Cyanoacrylate glue



钻孔
Make hole



切除
Cut / Remove



贴纸
Decal



锉平
File / Sand



选择
Option



不涂胶水
No cement



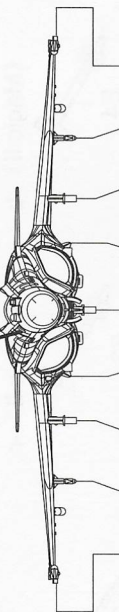
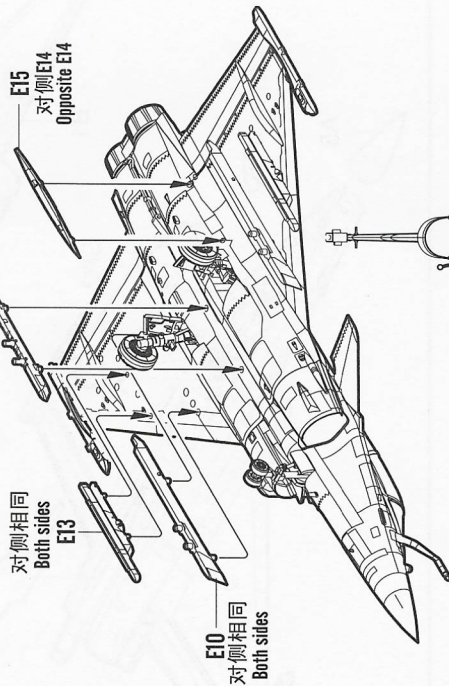
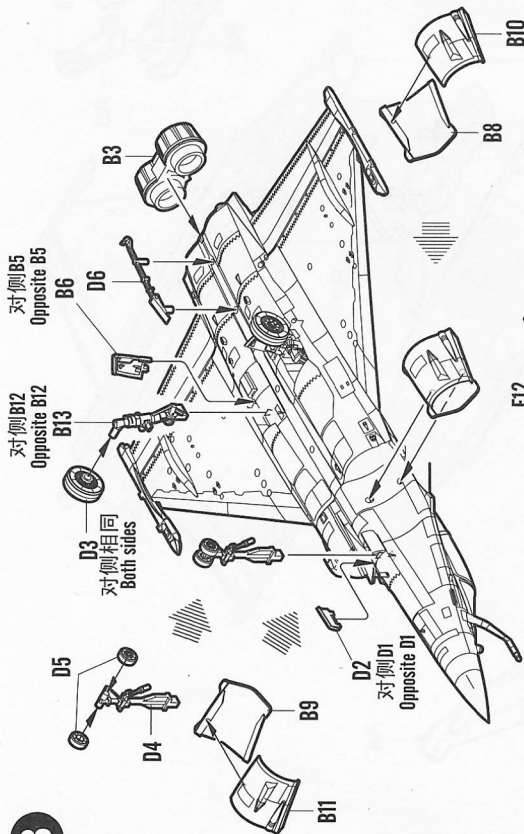
弯曲
Bend

水贴纸的使用:

- 1.从水贴纸上剪下印花;
- 2.将印花放入温水中浸10秒，然后放在干净布上。
- 3.拿着印花纸版将印花移到模型上;
- 4.手指蘸水将印花移到适当的位置;
- 5.用软布轻压印花直至水干，汽泡消失

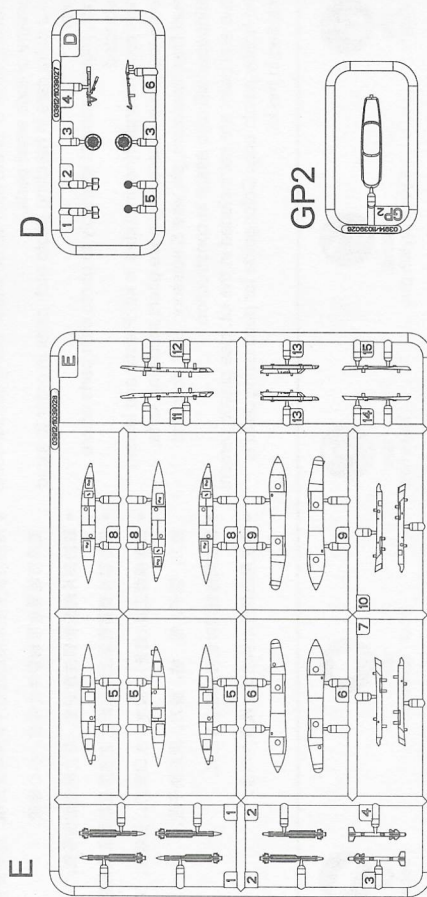
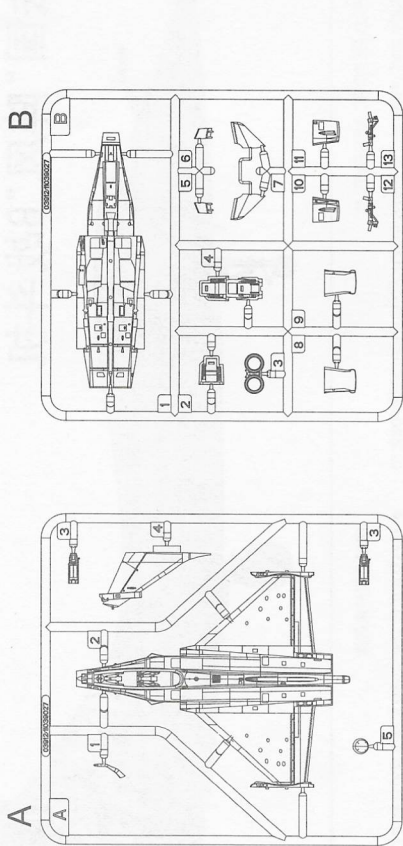
DECAL APPLICATION

- 1.Cut decals from sheet as needed
- 2.Dip the decal in warm water for about 10 seconds and then place on soft clean cloth.
- 3.Hold the decal backing sheet edge and gently slide the decal onto the model in its proper position.
- 4.While still wet,decal can be adjusted for better fit on model by dampening it gently with your finger.
- 5.When placed in the proper position,gently press decal down with a soft cloth until excess water and air bubbles are gone.
- 6.Allow decal to dry completely before handling model

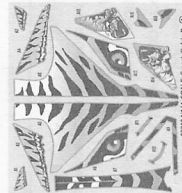


| Sta.No. | 1 | 2 | 3 | 4 | 5 | 6 | 7 | 8 | 9 |
|--------------|---|---|---|---|---|---|---|---|---|
| Missile/Tank | | | | | | | | | |
| Magic II | ● | | | | | | | | ● |
| Mica-EM | | ● | | | | ● | | | |
| Mica-IR | | ● | | | | ● | | | |
| 1250L Tank | | | ● | | | | | | |
| 2000L Tank | | | | | ● | | | | |

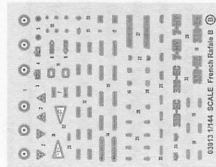
部品图
Parts



《水贴纸》A
Decal



《水贴纸》B
Decal

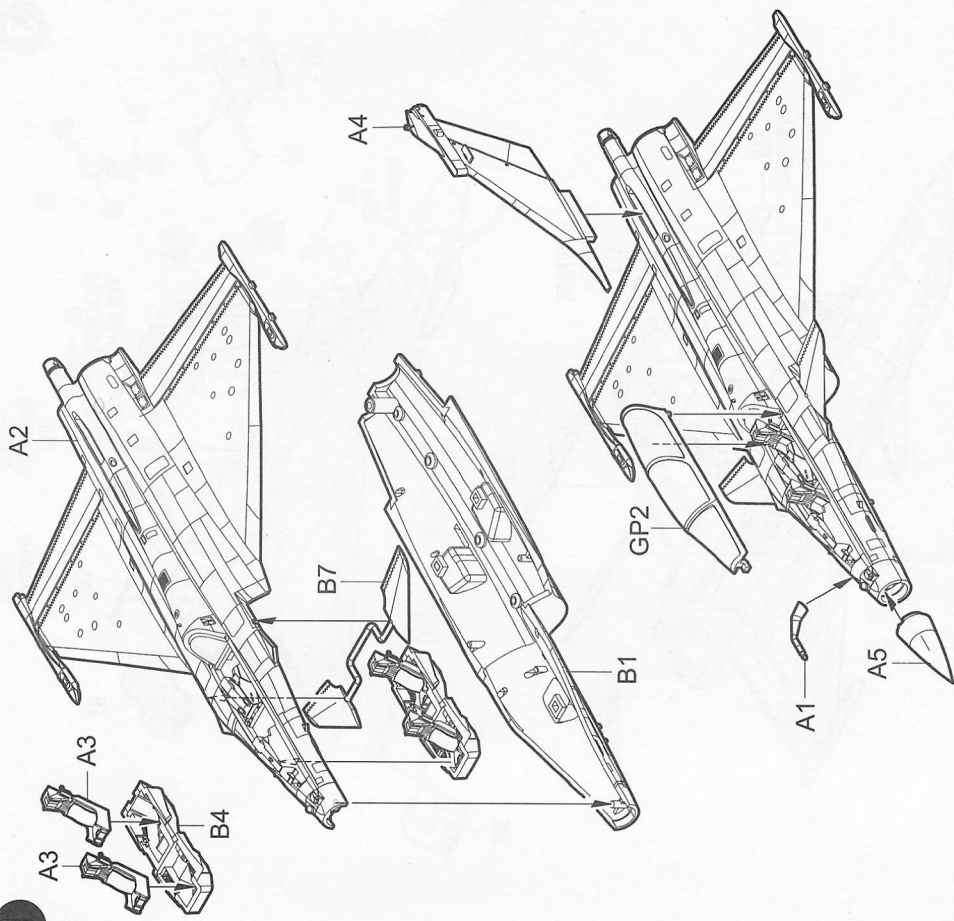


不用的部件: B4 E7 E11
Unused parts

03913

2

1



2

《Magic II》-L



《Mica-EM》

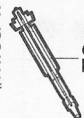


制作四组
Make four

《Magic II》-r

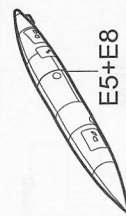


《Mica-IR》



制作两组
Make two

《1250L Tank》



制作两组
Make two

《2000L Tank》



03913

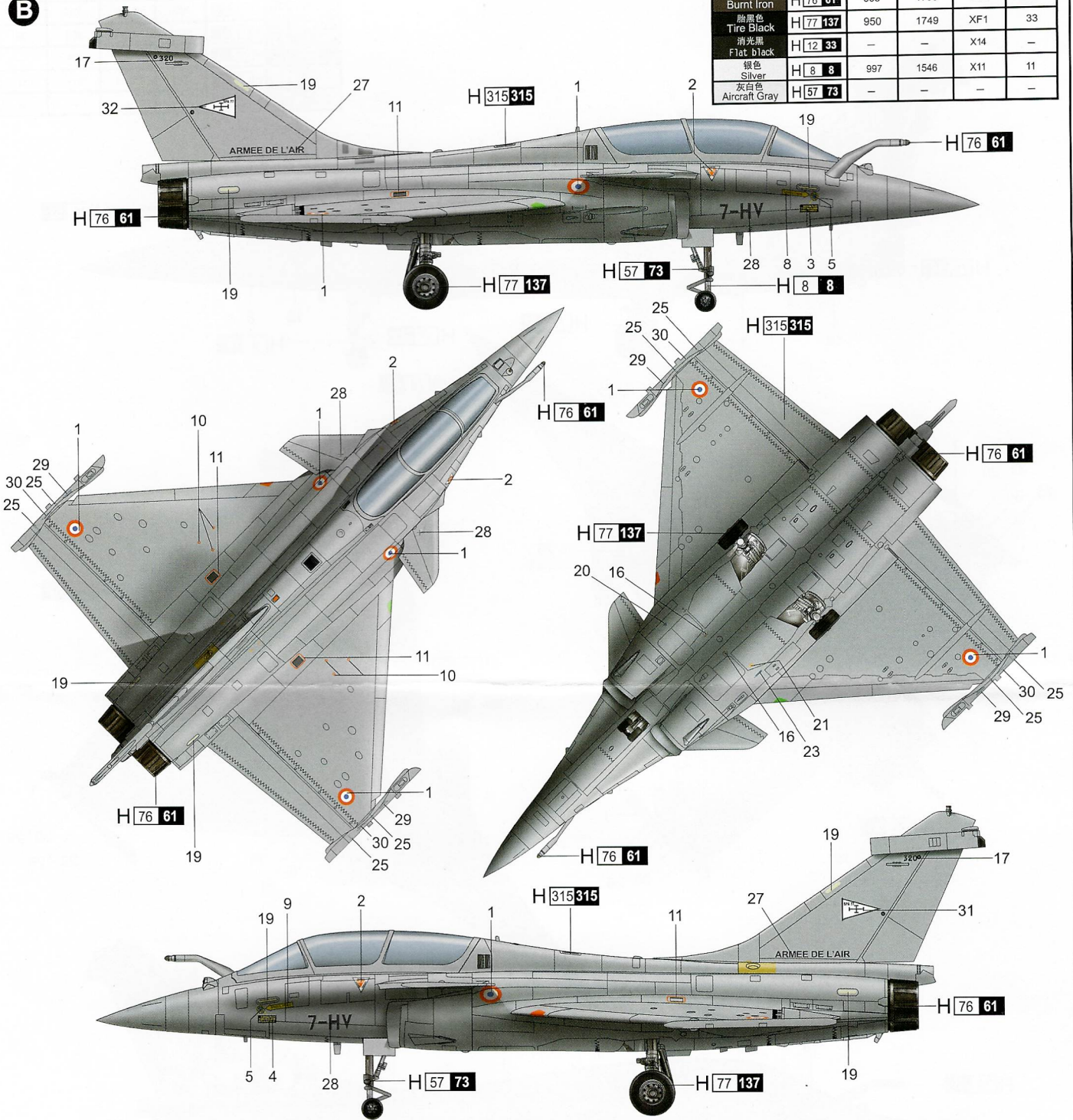
3

涂装同标贴指示 Painting & Marking guide

PAINT REFERENCE COLOUR

| Color | Mr.Hobby | Vallejo | Model Master | Tamiya | Humbrol |
|----------------------|-----------|---------|--------------|--------|---------|
| 灰色 Lighty Gull | H 315 315 | 71050 | 4763 | - | 129 |
| 白色 White | H 1 1 | 71001 | 1745 | X2 | 22 |
| 烧铁色 Burnt Iron | H 76 61 | 863 | 1795 | X10 | 53 |
| 胎黑色 Tire Black | H 77 137 | 950 | 1749 | XF1 | 33 |
| 消光黑 Flat black | H 12 33 | - | - | X14 | - |
| 银色 Silver | H 8 8 | 997 | 1546 | X11 | 11 |
| 灰白色 Aircraft Gray | H 57 73 | - | - | - | - |

B



C

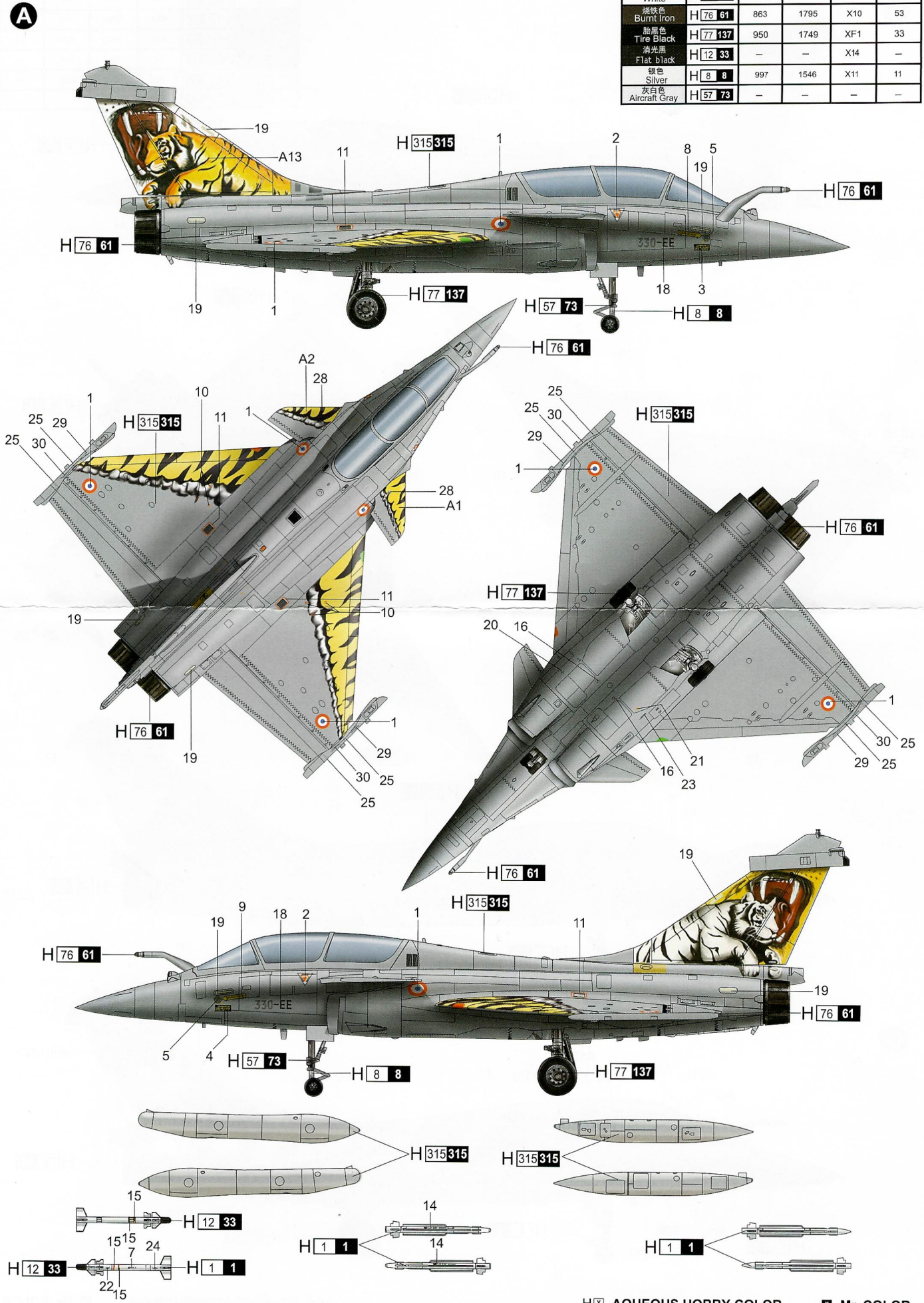


H X AQUEOUS HOBBY COLOR

X Mr. COLOR

涂装同标贴指示
Painting & Marking guide

| PAINT REFERENCE COLOUR | | | | | |
|------------------------|-----------|---------|--------------|--------|---------|
| Color | Mr.Hobby | Vallejo | Model Master | Tamiya | Humbrol |
| 灰色 Lightly Gull | H 315 315 | 71050 | 4763 | — | 129 |
| 白色 White | H 1 1 | 71001 | 1745 | X2 | 22 |
| 漆烤色 Burnt Iron | H 76 61 | 863 | 1795 | X10 | 53 |
| 胎黑色 Tire Black | H 77 137 | 950 | 1749 | XF1 | 33 |
| 消光黑 Flat black | H 12 33 | — | — | X14 | — |
| 银色 Silver | H 8 8 | 997 | 1546 | X11 | 11 |
| 灰白色 Aircraft Gray | H 57 73 | — | — | — | — |



H X AQUEOUS HOBBY COLOR X Mr. COLOR