

Polish Wz. 14/19 100mm Howitzer

Polska Haubica 100mm wz. 14/19



Cat. No. 35061
Scale 1/35



3d design: Adam Andrzejewski
Research: IBG Crew



Element złożony we wcześniejszym etapie
Element assembled in previous step



Kolor farby
Paint colour



Element po złożeniu w aktualnym etapie
Element after assembly in current step

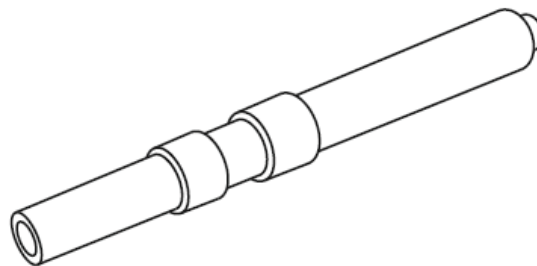


Kalkomania
Decal



Wersja do wyboru
Version to choose

Metalowa lufa / Metal barrel



	VALLEJO	HATAKA	LIFE COLOR	MR HOBBY	AK INTERACTIVE	MISSION MODELS
Polish Olive Green A	70.890	HTK-_085	TM001	H420	AK031	MMP-030
Gunmetal B	71.072	HTK-_106	LC26	H018	RC015	MMM-010

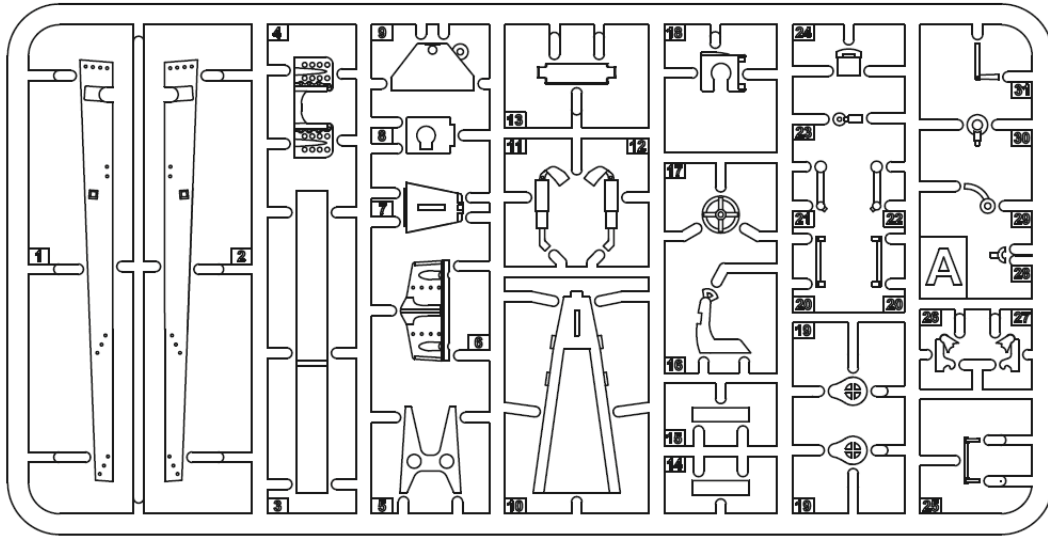
Przed montażem przeczytać instrukcję. Przestrzegać kolejności montażu podanego w instrukcji. Klej i farby nie wchodzi w skład zestawu.
Please read instructions before assembly. Follow the sequence of assembly presented in instructions. Glue and paint not included.

IBG Models
ul. Benedykta Hertza 2
04-603 Warszawa
Poland

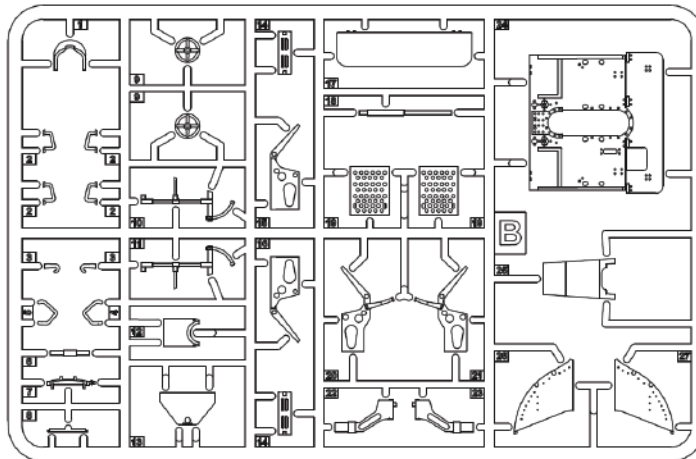
tel +48 22 8159150
fax +48 22 8159151
ibgsc@ibg.com.pl
www.ibg.com.pl
www.ibgmodels.com

Elementy modelu
Elements of the model kit

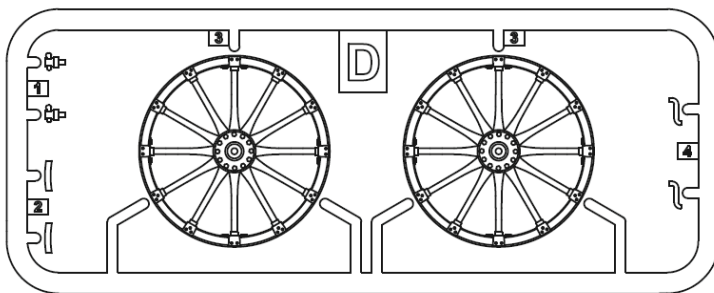
Ramka A / Frame A



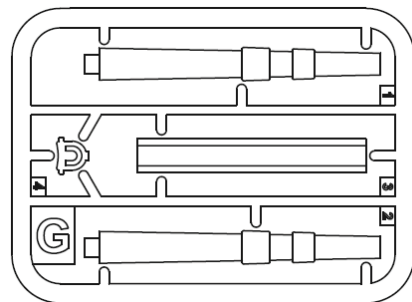
Ramka B / Frame B



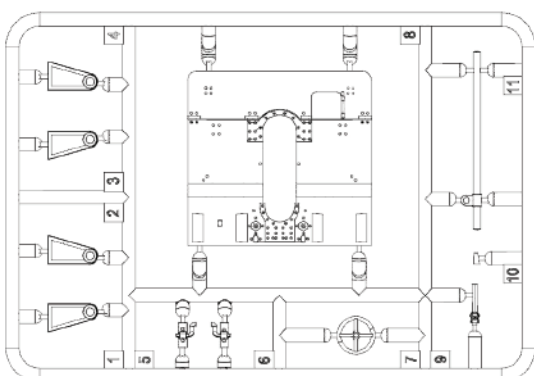
Ramka D / Frame D



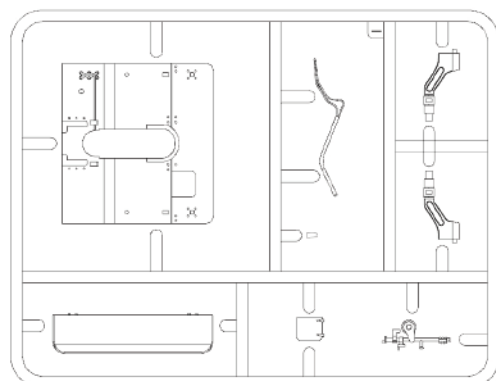
Ramka G / Frame G



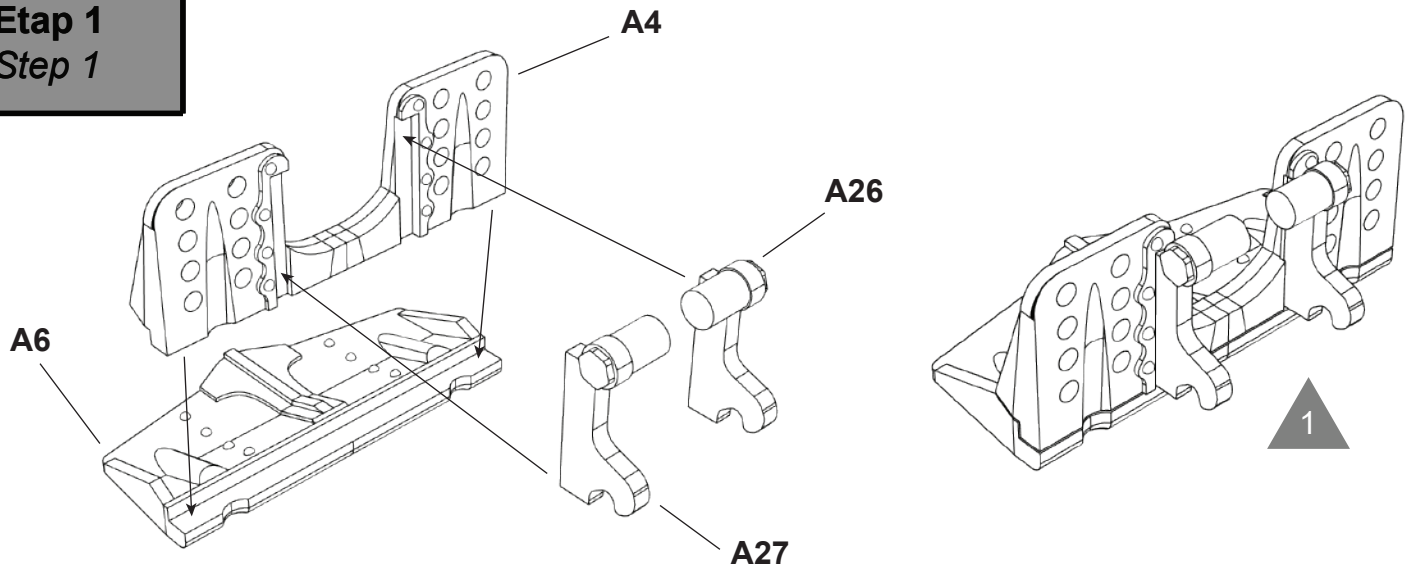
Ramka P / Frame P



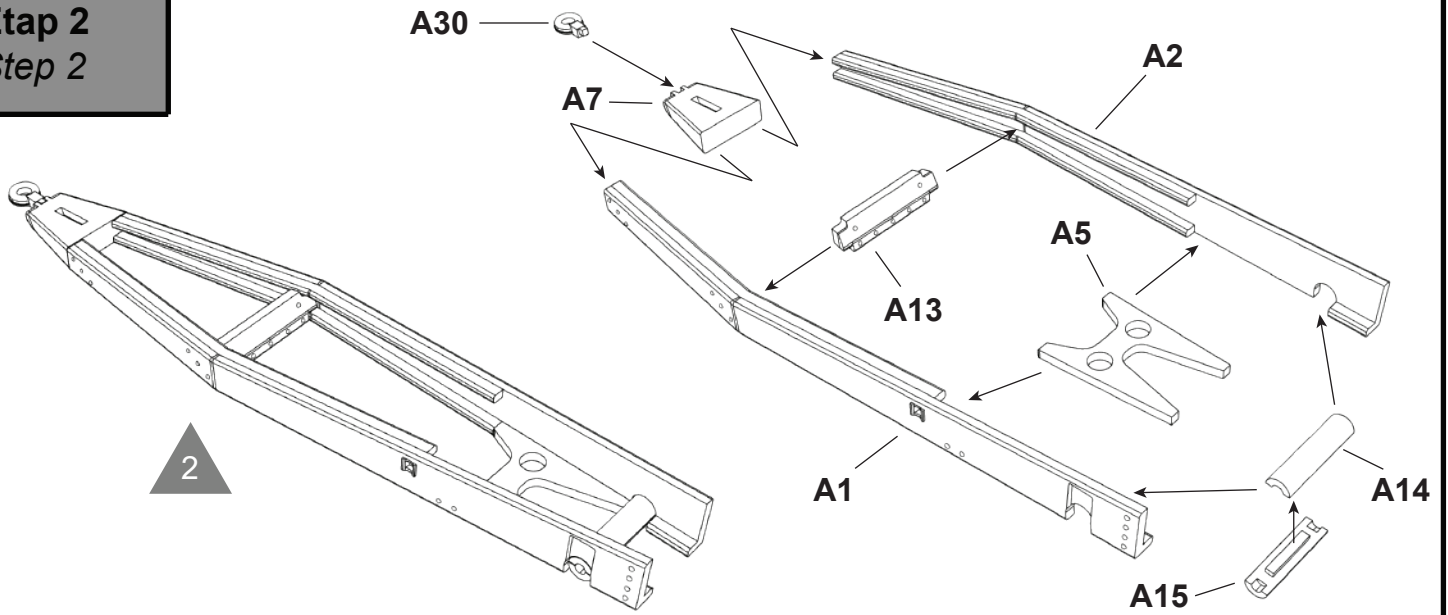
Ramka I / Frame I



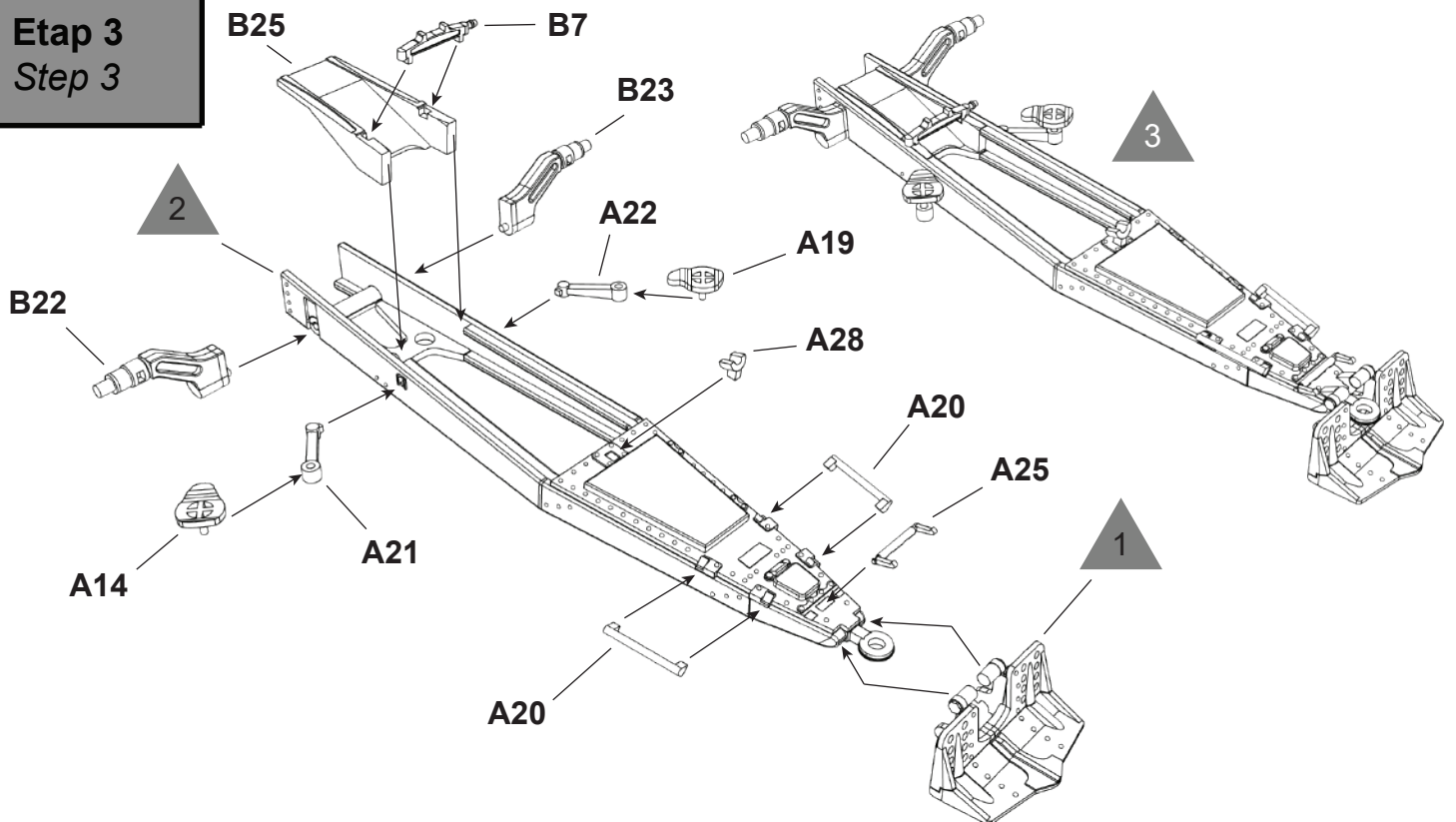
Etap 1
Step 1



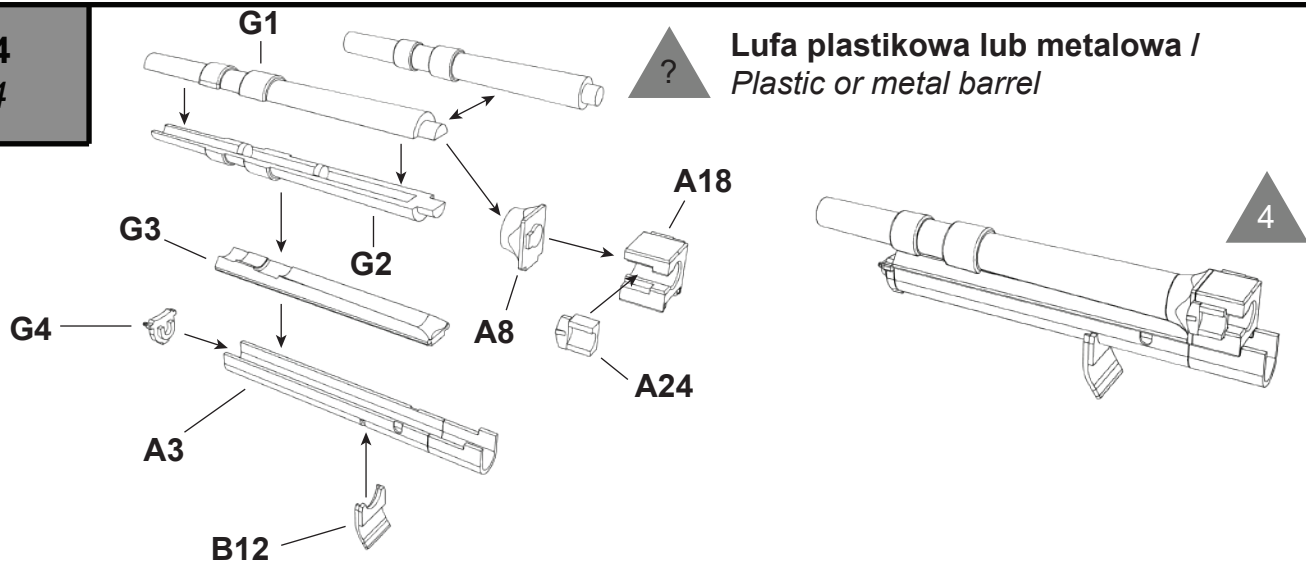
Etap 2
Step 2



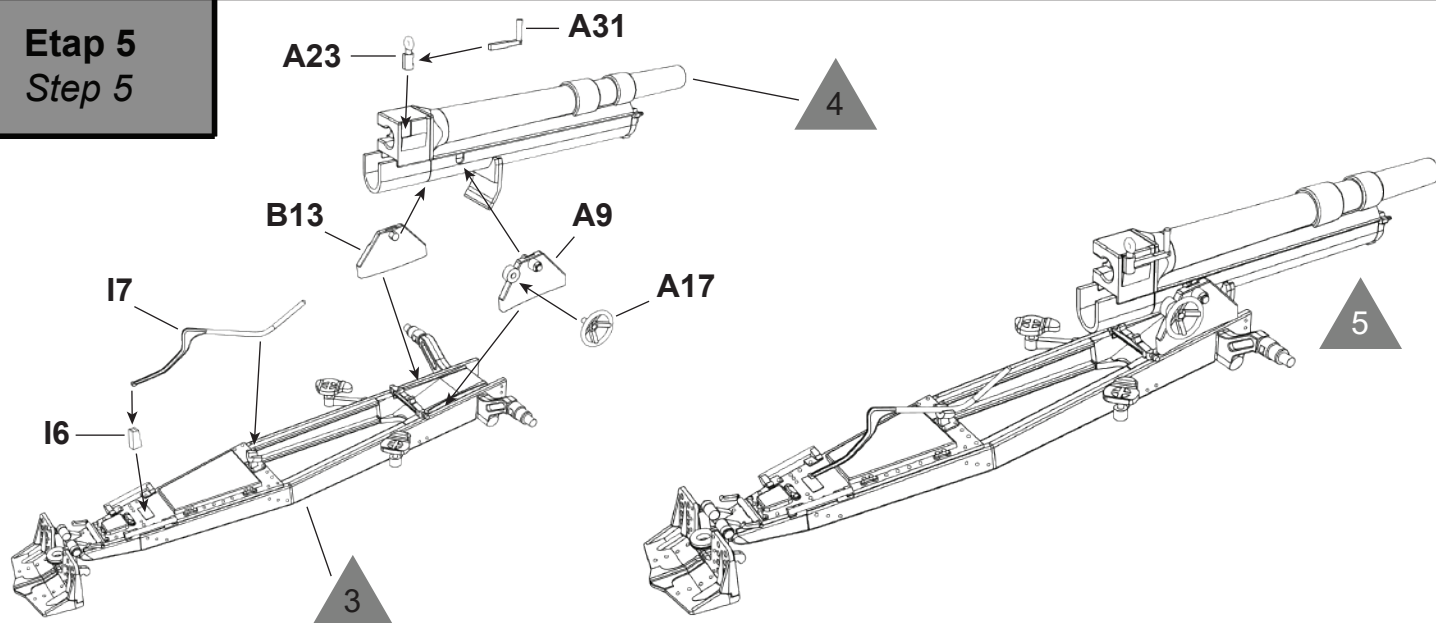
Etap 3
Step 3



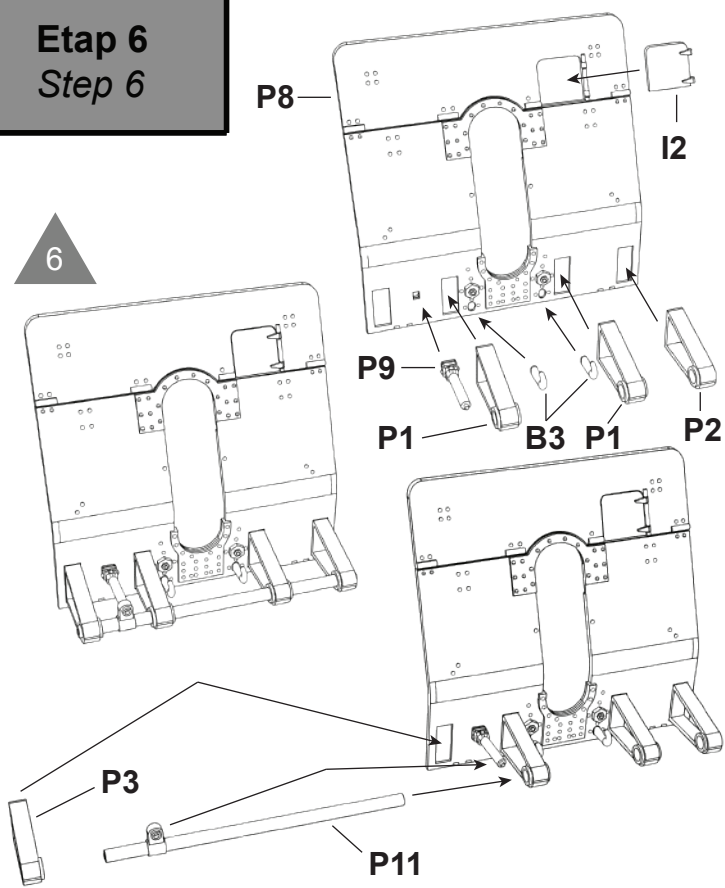
Etap 4
Step 4



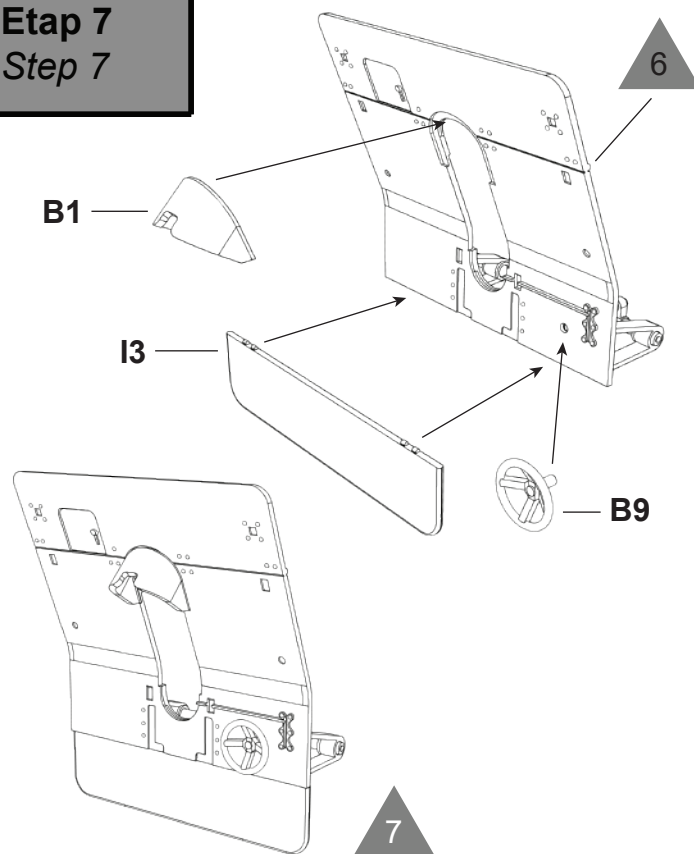
Etap 5
Step 5



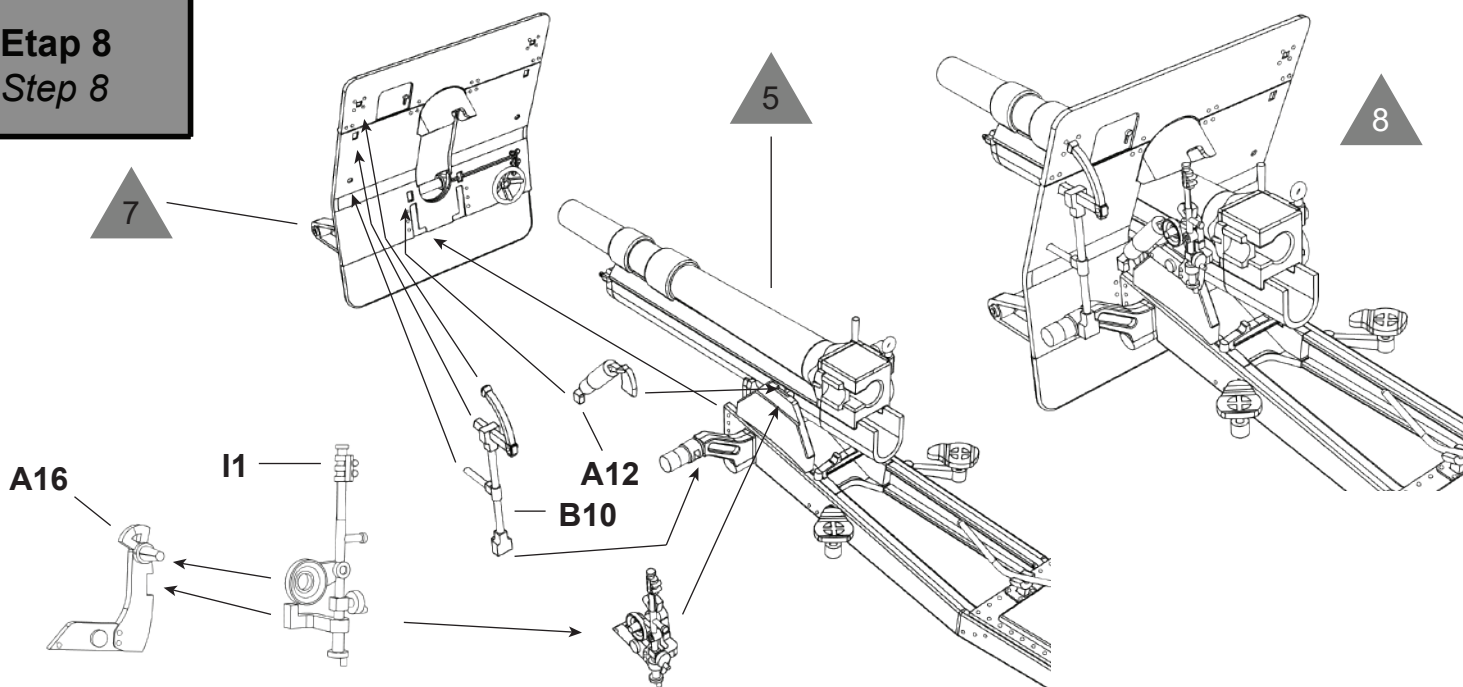
Etap 6
Step 6



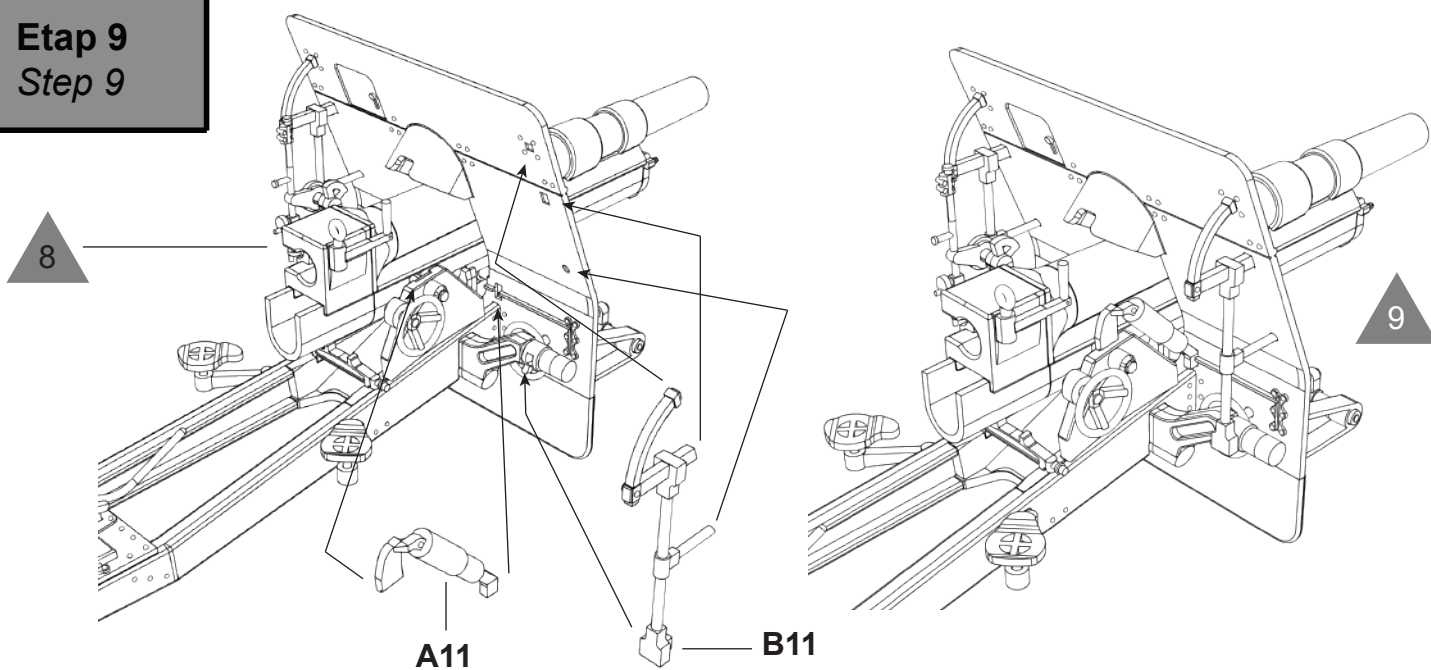
Etap 7
Step 7



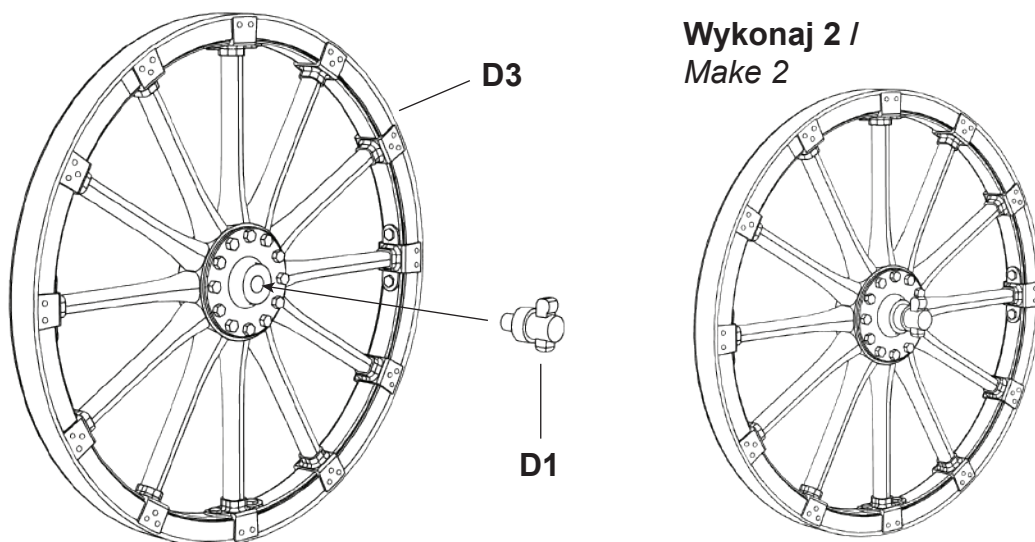
Etap 8
Step 8



Etap 9
Step 9

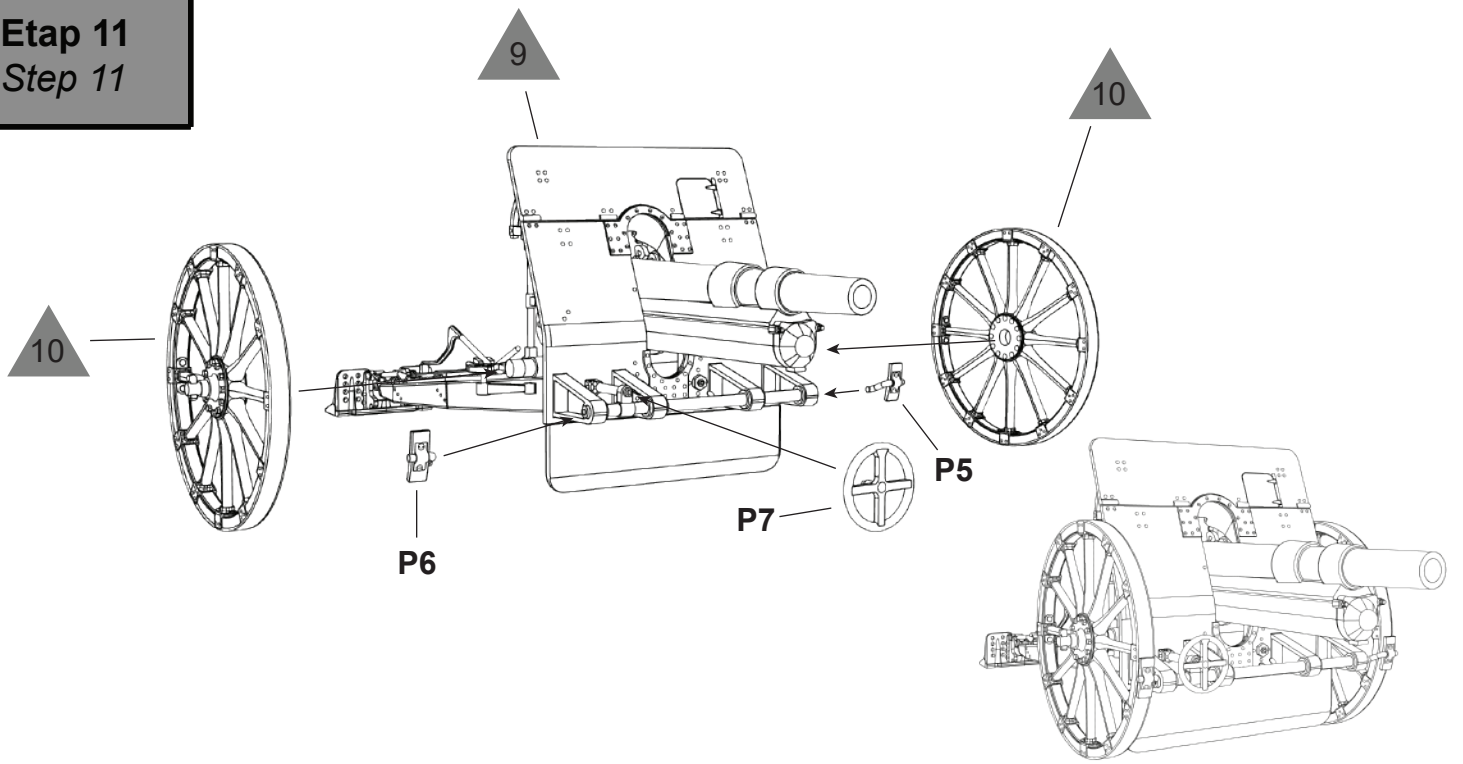


Etap 10
Step 10

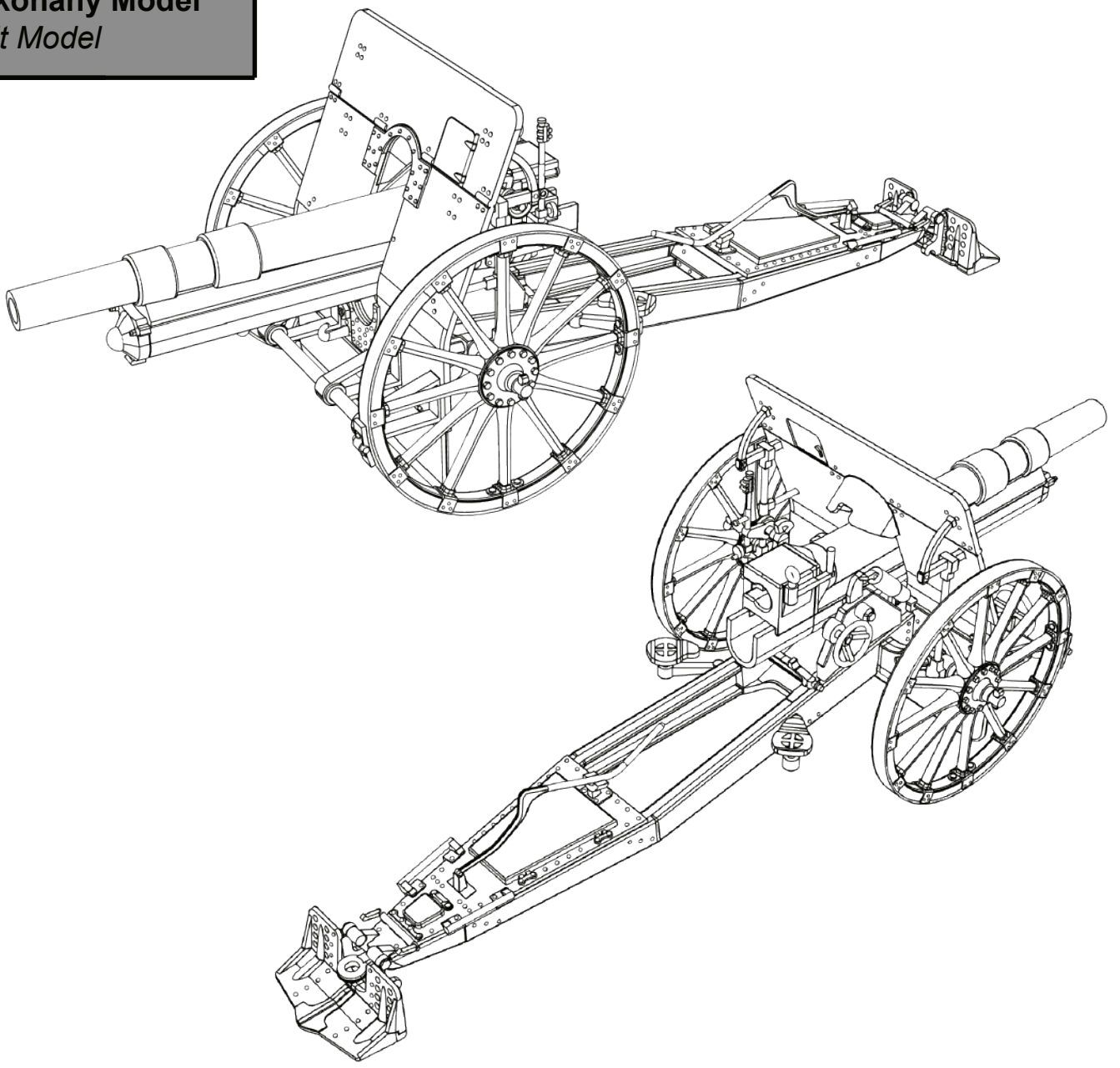


Wykonaj 2 /
Make 2

Etap 11
Step 11



Wykonany Model
Built Model



ALSO AVAILABLE FROM IBG MODELS

1:35
35059



IBG MODELS

Crew figures included

75mm Field Gun wz. 1897 with crew
Armata Polowa wz. 1897 z obsługą

This advertisement features a large green field gun with two crew members in a field. One soldier stands on the left using binoculars, while another is positioned near the front wheel. The background shows a misty landscape under a blue sky with clouds. The IBG Models logo is in the top right, and a circular inset shows five crew figures. The text at the bottom identifies the model as a 75mm Field Gun wz. 1897 with crew, also known as Armata Polowa wz. 1897 z obsługą.

1:35
35025



IBG MODELS

Skoda 100mm vz 14/19 Howitzer

This advertisement shows a green Skoda 100mm vz 14/19 Howitzer mounted on a wooden carriage in a field. The background is a hazy, open landscape. The IBG Models logo is in the top right. The text at the bottom identifies the model as a Skoda 100mm vz 14/19 Howitzer.

1:35
35063



IBG MODELS

3Ro Italian Truck with 100mm 100/17 Howitzer

This advertisement depicts a green 3Ro Italian truck with a 100mm 100/17 Howitzer mounted on its bed. Two crew members are visible in the cab. The truck is shown driving on a dirt road in a desert-like environment. The IBG Models logo is in the top right. The text at the bottom identifies the model as a 3Ro Italian Truck with 100mm 100/17 Howitzer.

1:35
35046



IBG MODELS

Tankietka TKS z NKM wz. 38 FK-A 20 mm
Zestaw zawiera figurki, metalową lufę i części fototrawione

This advertisement shows a green TKS tankette with a 20mm FK-A NKM gun. Three crew members are positioned around the tankette. The background is a field with smoke in the air. The IBG Models logo is in the top right. The text at the bottom identifies the model as a Tankietka TKS z NKM wz. 38 FK-A 20 mm and notes that the set includes figures, a metal barrel, and photo-etched parts.

1:35
35032



IBG MODELS

KTO ROSOMAK - „The Green Devil”

This advertisement features a green KTO Rosomak amphibious tank in a desert environment. The tank is shown from a side-rear perspective, with a small fire visible in the background. The IBG Models logo is in the top right. The text at the bottom identifies the model as KTO ROSOMAK - „The Green Devil”.

Malowanie
Painting

Polska Haubica 100mm wz. 14/19, wrzesień 1939 r.
Polish 100mm wz. 14/19 Howitzer, September 1939.

