

## 1/72 SCALE PLASTIC KIT

**ProfiPACK**  
edition

# #70141



### INTRO

The MiG-21 was one of a long list of Mikoyan-Gurevich products to be integrated into the armed forces of the Soviet Union, the Warsaw Pact, and allied client states. Its predecessors included such notable types as the MiG-15, MiG-17 and the supersonic MiG-19. The roots of this project reach back to the first half of the fifties. In 1954, the Ye-1 project came to an end, and was quickly picked up by the Ye-2. Both had a swept wing. The first machine to feature the delta wing was the Ye-4, which first took to the air on June 16th, 1955. It was also demonstrated a year later at the Moscow airfield Tushino. The first of the new line to enter production was the MiG-21F, which together with the MiG-21P and F-13 represented the first generation of the MiG-21, and was in production through the end of the fifties and the beginning of the sixties. Subsequent versions included the PF, FL, PFM, R the production of which peaked at the end of the sixties. The third generation started production in 1968, which included such versions as M, SM, MF, SMT, bis among others. Simultaneously, two-seat training versions were also produced designated MiG-21U, UM and US. Production of the MiG-21 ended in 1985, and was put into service with some fifty nations. Over the course of the cold war, the opponents of the MiG-21 included the likes of the Northrop F-5 Freedom Fighter and the Dassault Mirage III. NATO assigned it the reporting name 'Fishbed'. It became the most produced supersonic fighter in terms of quantity. The new machines came off Soviet production lines in Moscow, Gorky and Tbilisi. The MiG-21F-13 was also built under license in Czechoslovakia and the MiG-21FL, M and bis in India by Hindustan Aeronautics Ltd. The Soviet Union produced 10,645 examples of all versions, 194 were built in Czechoslovakia and 657 in India. Outside of the Soviet Union, the type flew with a long list of nations on all continents with the exception of Australia. The MiG-21 participated in combat in Vietnam, the Indo-Pakistan wars, the Cuban participation in Angola and in the Arab world's attempt to eliminate Israel. Thanks to the high volume of use, the highest number of aces produced on the type was in Vietnam. The top of the ladder is occupied by Nguyen Van Coc with nine kills. The type serving as an interceptor served with the Soviet Union and other nations of the Warsaw Pact into the eighties, when it began to be displaced by the MiG-29 Fulcrum.

This kit presents an opportunity for you to build a model of a MiG-21MF supersonic jet fighter in a way it was produced in Gorky factory, where the production of the MF variant was moved from Moscow factory after their start with MiG-23s. The design of the fighter planes made in Gorky differed in several details from the Moscow design. The first reason for that was the unification of some features with the previously made aircraft in Gorky, the MiG-21bis, and the second reason was the use of former technological procedures followed by Gorky factory. These fighter jets were exported to German Democratic Republic, Poland, Czechoslovakia, Romania and Bulgaria. Production of this version finished after two years.

MiG-21MFs were powered by Tumanskij R-13-300 turbojet engine with additional combustion chamber and carried an RP-21 radar. The armament constituted of a twin-barreled GSch-23-2L 23mm autocannon with 200 rounds of ammunition. The racks carried a combination of FAB bombs with 500kg warhead, UB-16-57U launchers and R-3S rockets, Ch-66, S-24, including R-60 air-to-air missile and its infrared homing variant R-60M. The NATO code for MiG-21MFs was "Fishbed-J".

ATTENTION

\* UPOZORNĚNÍ

\* ACHTUNG

\* ATTENTION

\* 注意



Carefully read instruction sheet before assembling. When you use glue or paint, do not use near open flame and use in well ventilated room. Keep out of reach of small children. Children must not be allowed to suck any part, or pull vinyl bag over the head.



Před započítím stavby si pečlivě prostudujte stavební návod. Při používání barev a lepidel pracujte v dobře větrané místnosti. Lepidla ani barvy nepoužívejte v blízkosti otevřeného ohně. Model není určen malým dětem, mohlo by dojít k požití drobných dílů.

INSTRUCTION SIGNS \* INSTR. SYMBOLY \* INSTRUKTION SINNBILDEN \* SYMBOLES \* 記号の説明

OPTIONAL  
VOLBABEND  
OHNOUTSAND  
BROUSITOPEN HOLE  
VYVRTAT OTVORSYMMETRICAL ASSEMBLY  
SYMETRICKÁ MONTÁŽREMOVE  
ODRŽNOUTREVERSE SIDE  
OTOCITAPPLY EDUARD MASK  
AND PAINT  
POUŽIT EDUARD MASK  
NABARVIT

PARTS

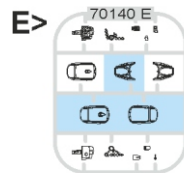
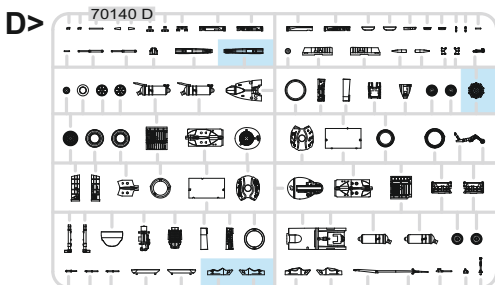
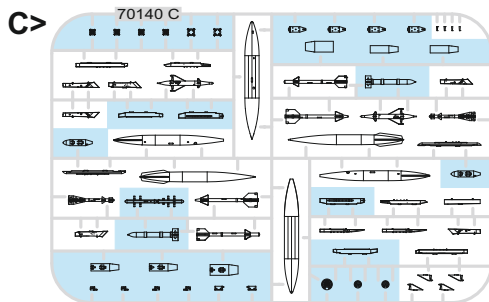
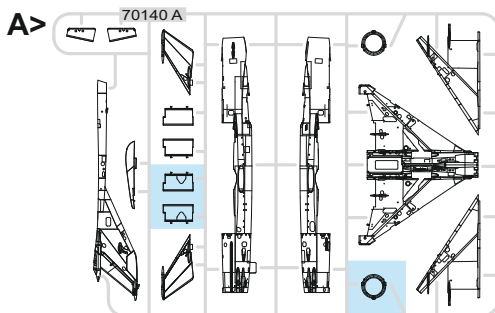
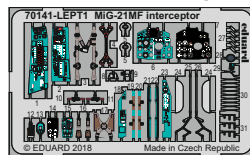
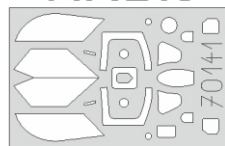
\* DÍLY

\* TEILE

\* PIÈCES

\* 部品

## PLASTIC PARTS

PE - PHOTO ETCHED  
DETAIL PARTSeduard  
MASK

-Parts not for use. -Teile werden nicht verwendet. -Pièces à ne pas utiliser. -Tyto díly nepoužívejte při stavbě. - 使用しない部品

COLOURS

\* BARVY

\* FARBEN

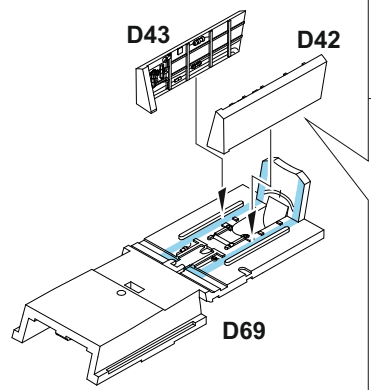
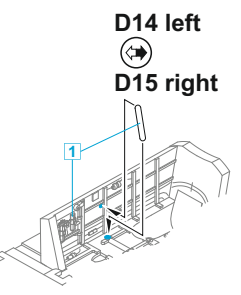
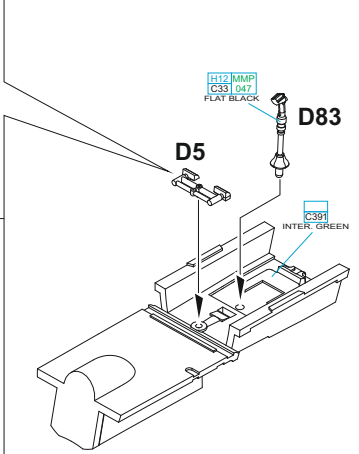
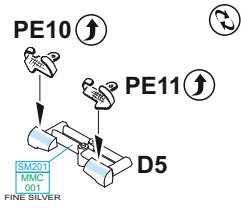
\* PEINTURE

\* 色

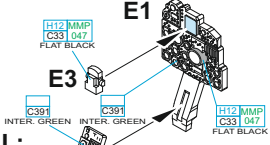
GSI Colors (GUNZE)		MISSION MODELS	
AQUEOUS	Mr.COLOR	PAINTS	
H1	C1	MMP-001	WHITE
H3	C3	MMP-003	RED
H4	C4	MMP-007	YELLOW
H5	C5	MMP-048	BLUE
H7	C7	MMP-002	BROWN
H11	C62	MMP-001	FLAT WHITE
H12	C33	MMP-047	FLAT BLACK
H16	C64		YELLOW GREEN
H26	C66		BRIGHT GREEN
H44	C51		COBALT BLUE
H47	C41	MMP-012	RED BROWN
H51	C11	MMP-063	LIGHT GULL GRAY
H53	C13		NEUTRAL GRAY
H60	C16		GREEN
H70	C60	MMP-056	GRAY
H77	C137	MMP-040	TIRE BLACK
H78	C38		OLIVE DRAB
H82	C31		DARK GRAY

GSI Colors (GUNZE)		MISSION MODELS	
AQUEOUS	Mr.COLOR	PAINTS	
H84	C42		MAHOGANY
H90	C47		CLEAR RED
H94	C138		CLEAR GREEN
H302	C302		GREEN
H310	C310	MMP-060	BROWN
H323	C323		LIGHT BLUE
H332	C332		LIGHT AIRCRAFT GRAY
H414	C114	MMP-003	RED
H417	C117	MMP-051	GRAY
	C35		SKY BLUE
	C391		INTERIOR GREEN
Mr.METAL COLOR		METALLICS	
Mc213		MMM-006	STEEL
Mc214		MMM-001	DARK IRON
Mc216		MMM-003	ALUMINIUM
Mr.COLOR SUPER METALLIC		METALLICS	
SM201		MMC-001	SUPER FINE SILVER

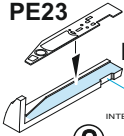
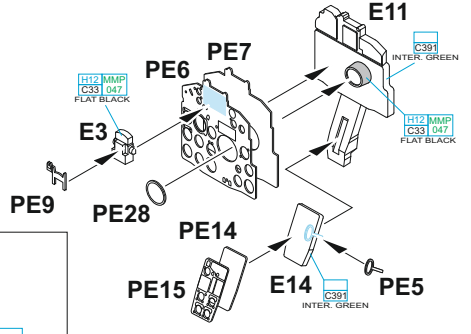
- 1** = H21 MMP - MARKINGS **A;D**  
C111 083 GRAY
- H70 MMP - MARKINGS **B;E**  
C60 156 GRAY
- H17 MMP - MARKING **C**  
C117 051 LIGHT BLUE



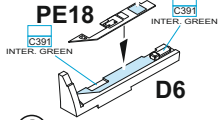
**OPTIONAL: decal 14**



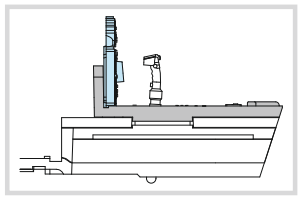
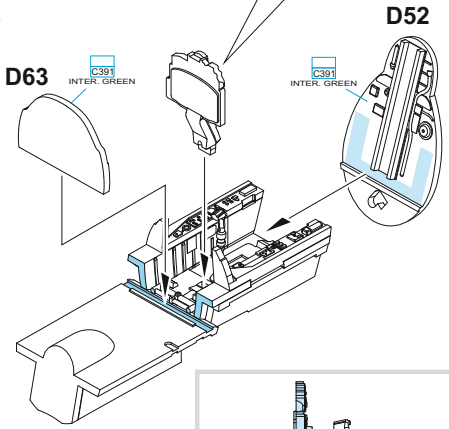
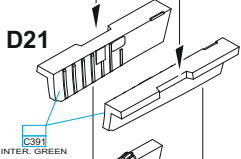
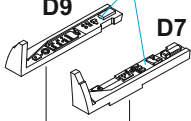
**OPTIONAL: decal 15**

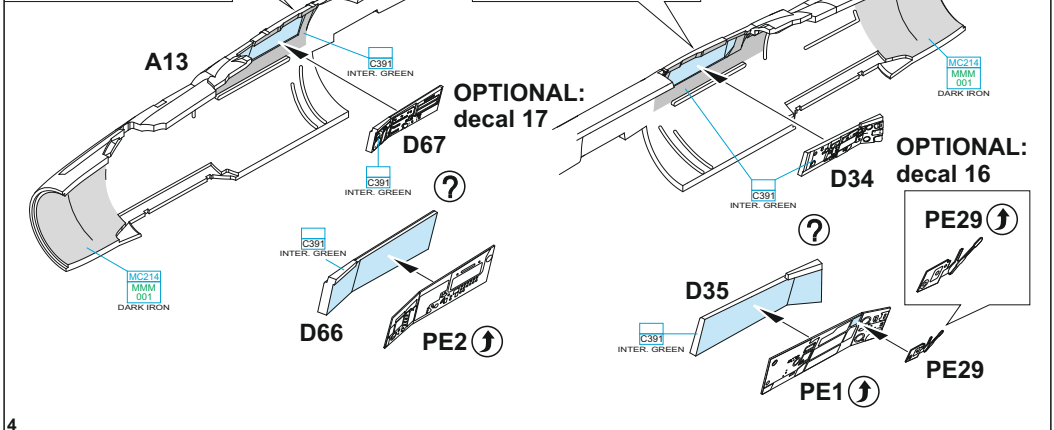
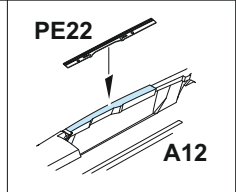
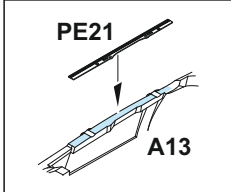
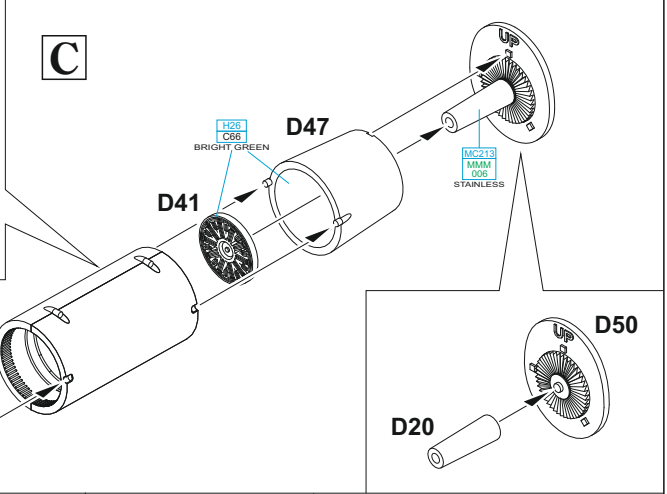
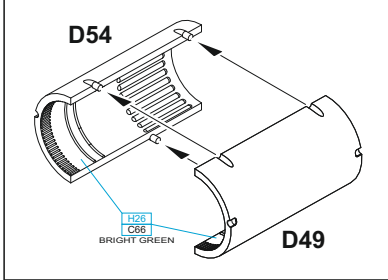
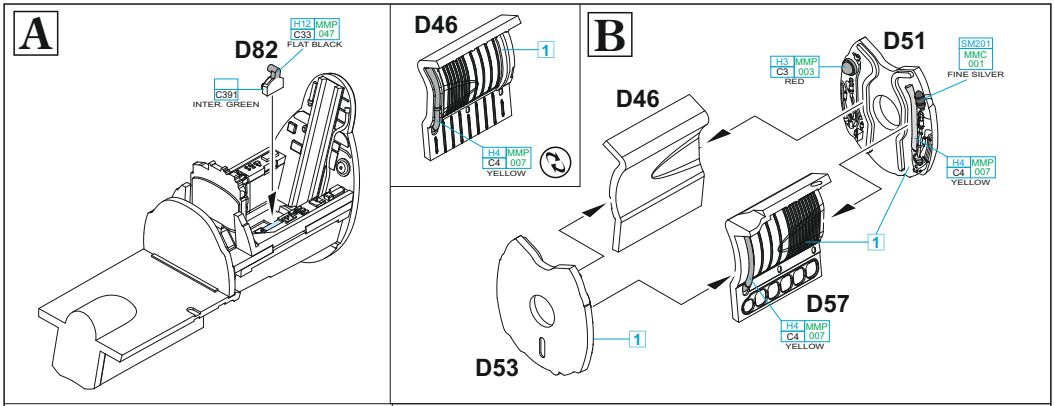


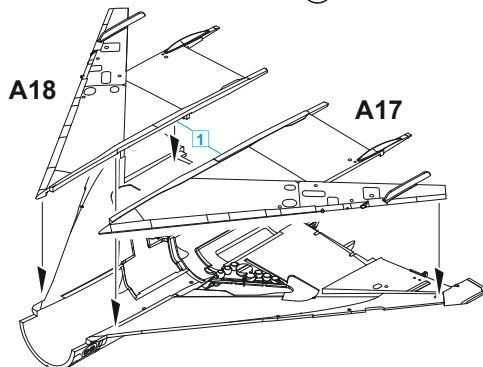
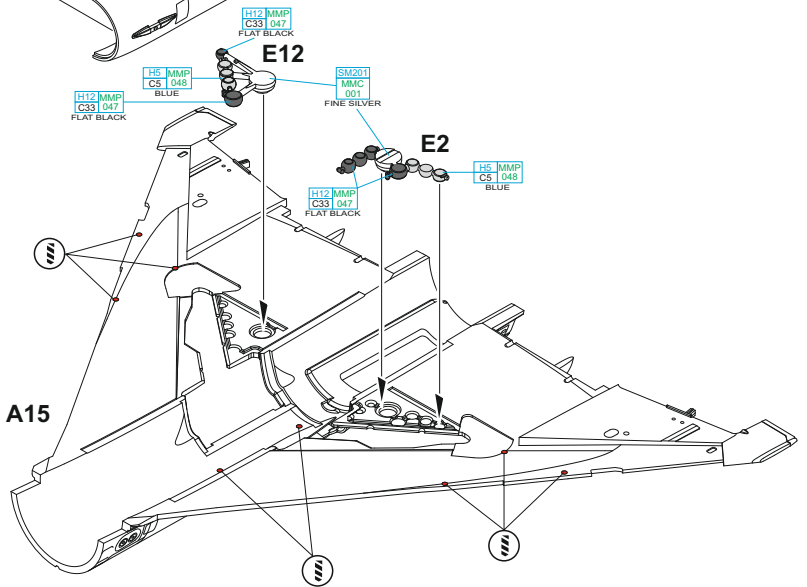
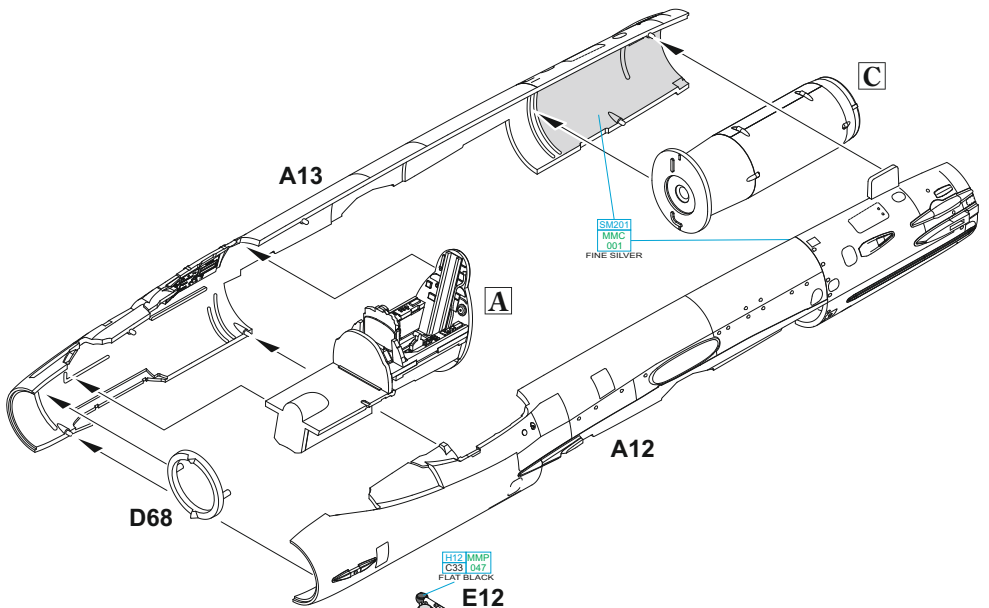
**OPTIONAL: decal 18**

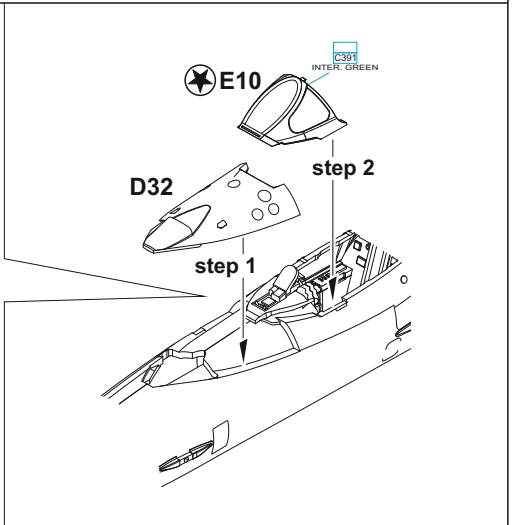
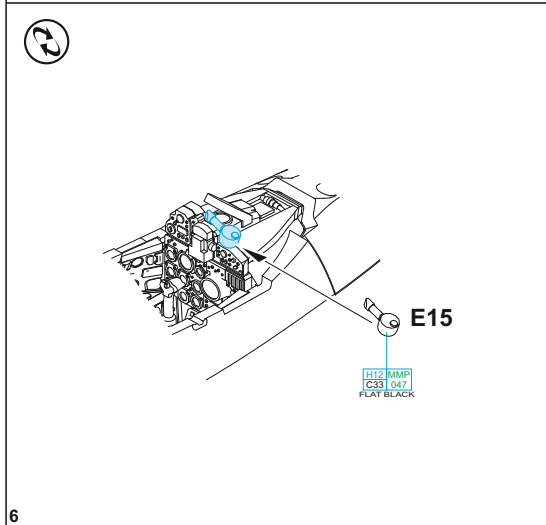
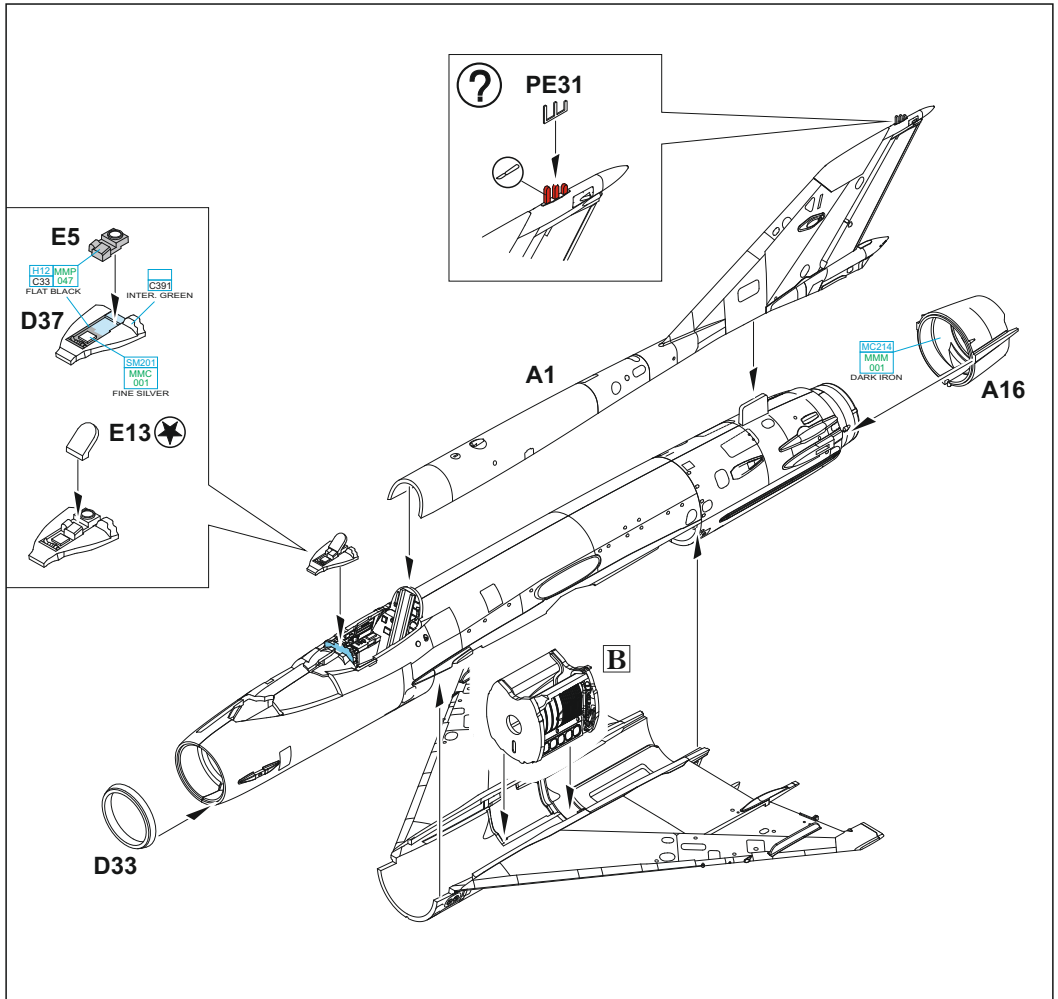


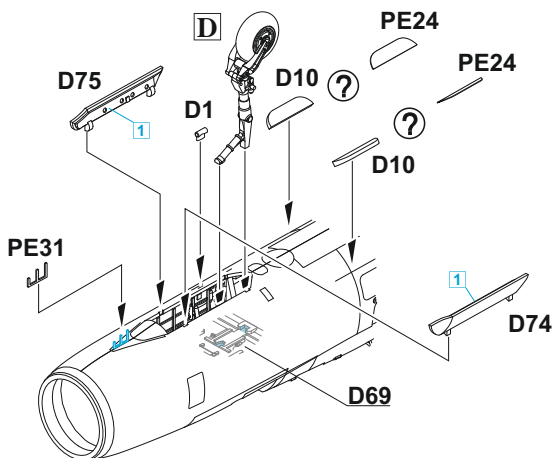
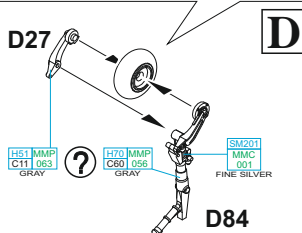
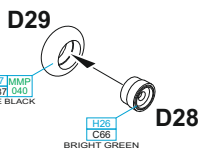
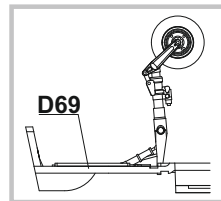
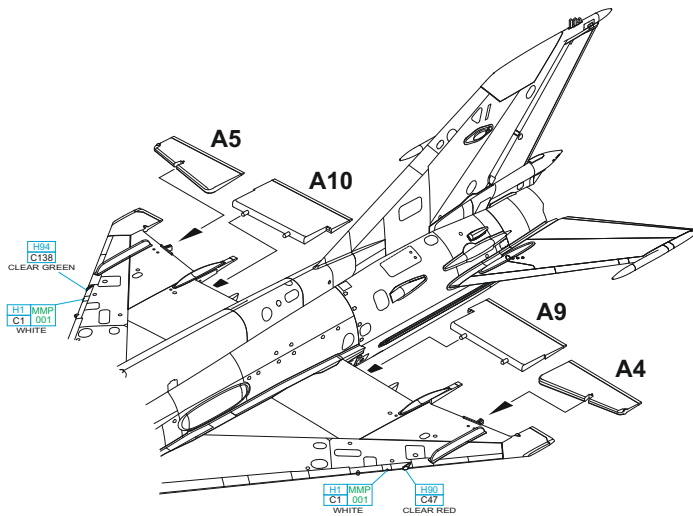
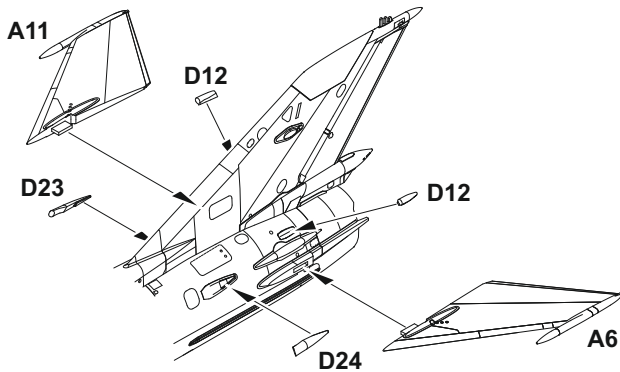
**OPTIONAL: decal 19**









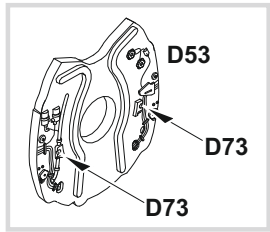
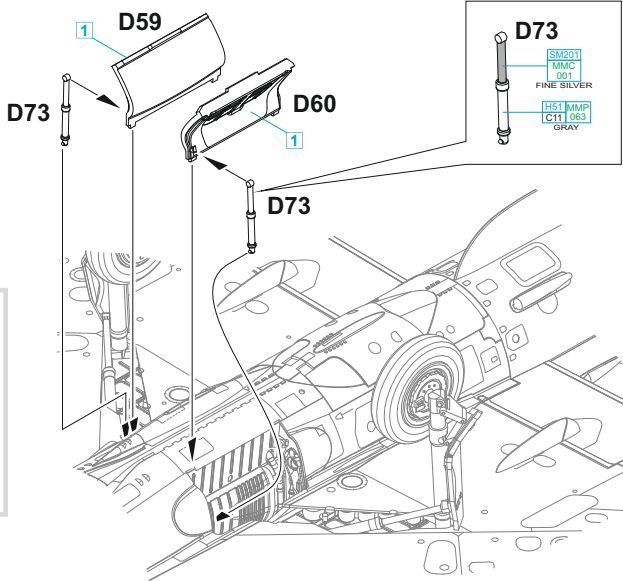
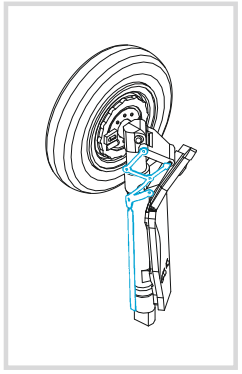
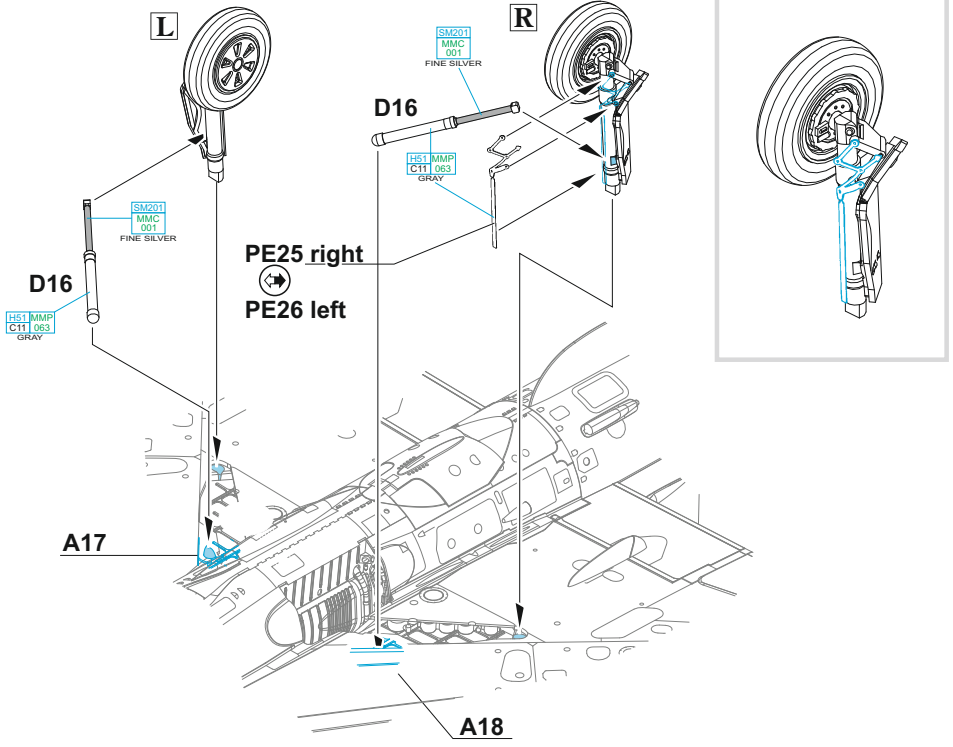


- H51 MMP C11 063 GRAY - MARKINGS **A;D**
- H70 MMP C80 056 GRAY - MARKINGS **B;C;E**

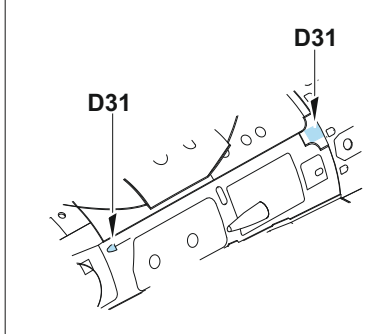
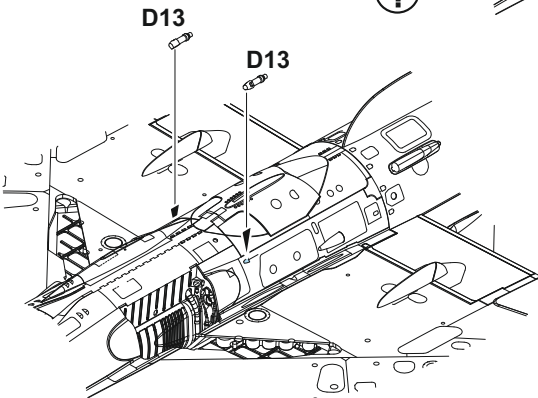
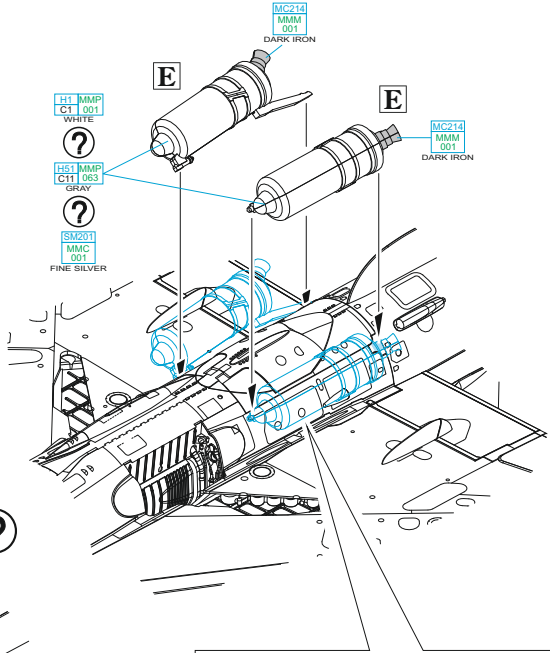
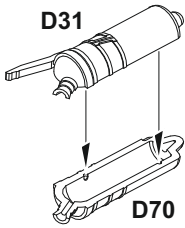


L

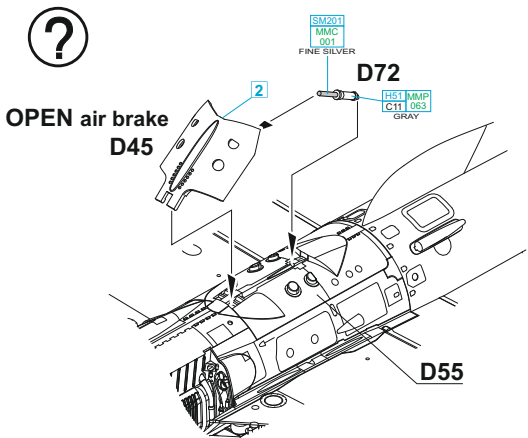
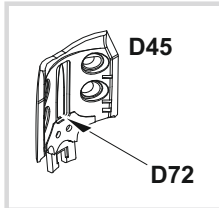
R

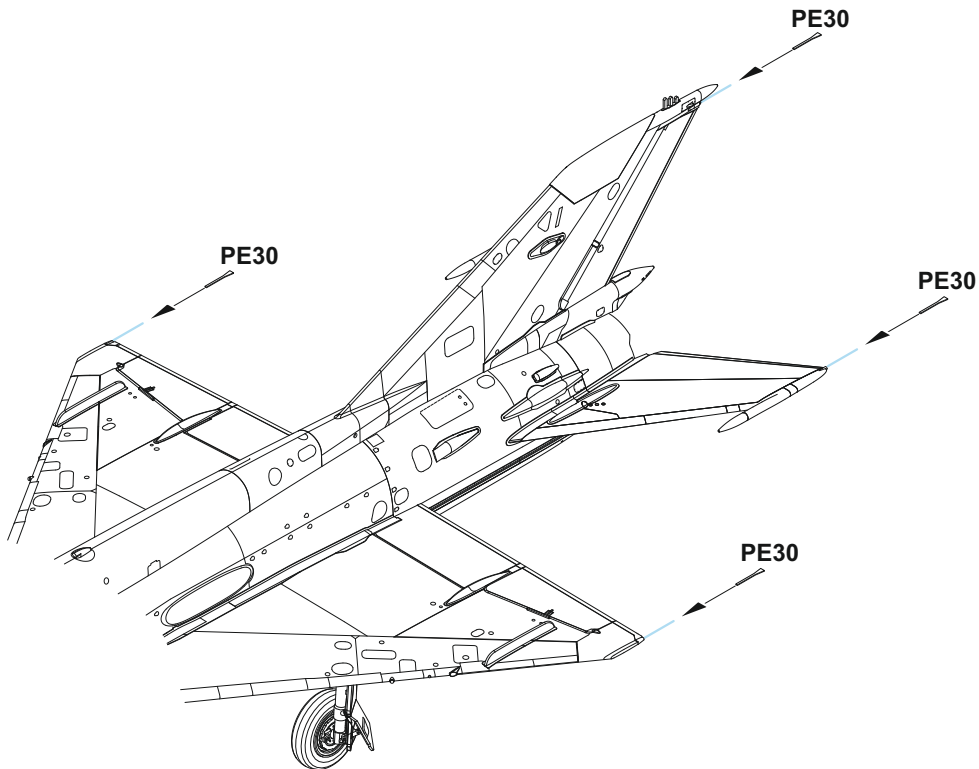


**E** 2 pcs.



- 2** =
- H31 MMP C11 063 GRAY - MARKINGS **A**; **D**
  - H4 MMP C4 007 YELLOW - MARKINGS **B**; **E**
  - H17 MMP C117 051 LIGHT BLUE - MARKING **C**



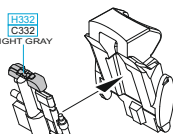


**F**



**D65**

H392  
C392  
LIGHT GRAY



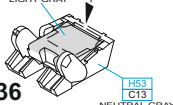
**D64**

H53  
C13  
NEUTRAL GRAY

**D36**

H392  
C392  
LIGHT GRAY

H53  
C13  
NEUTRAL GRAY

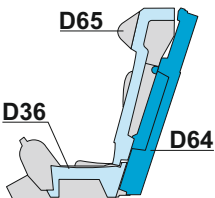


H53  
C13  
NEUTRAL GRAY

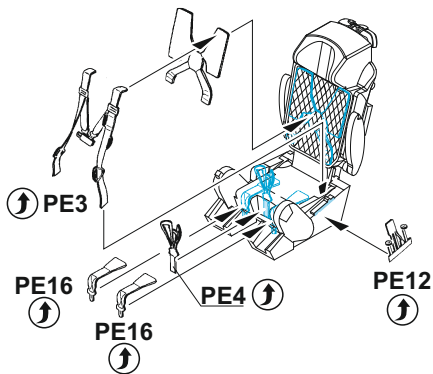
**D65**

**D36**

**D64**



**PE17**



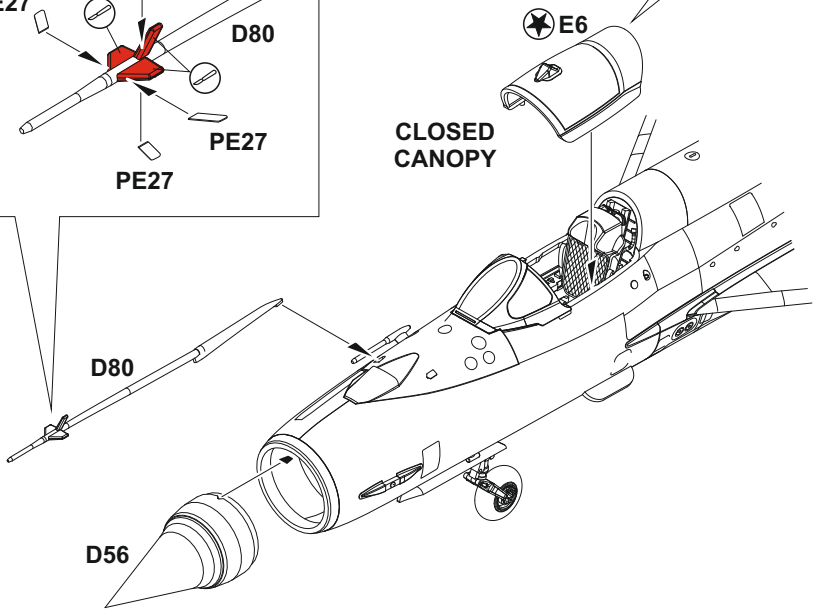
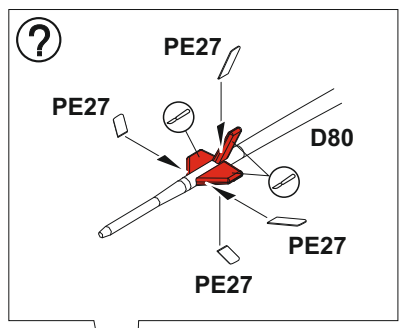
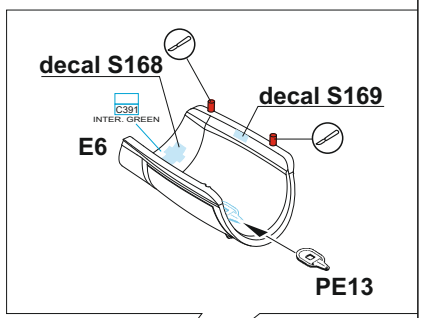
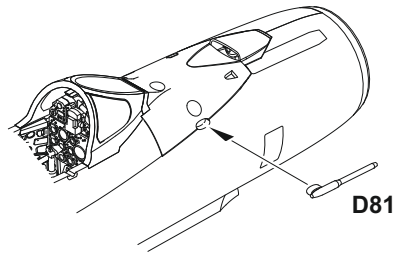
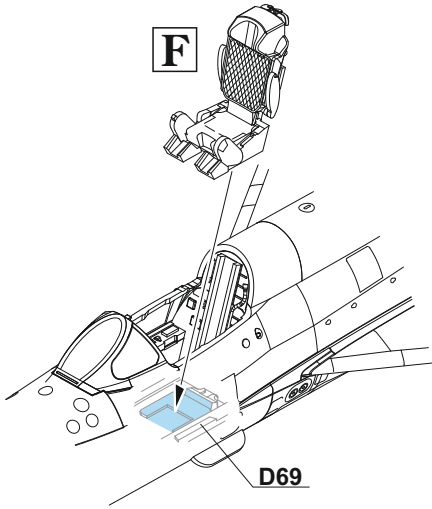
⤴ **PE3**

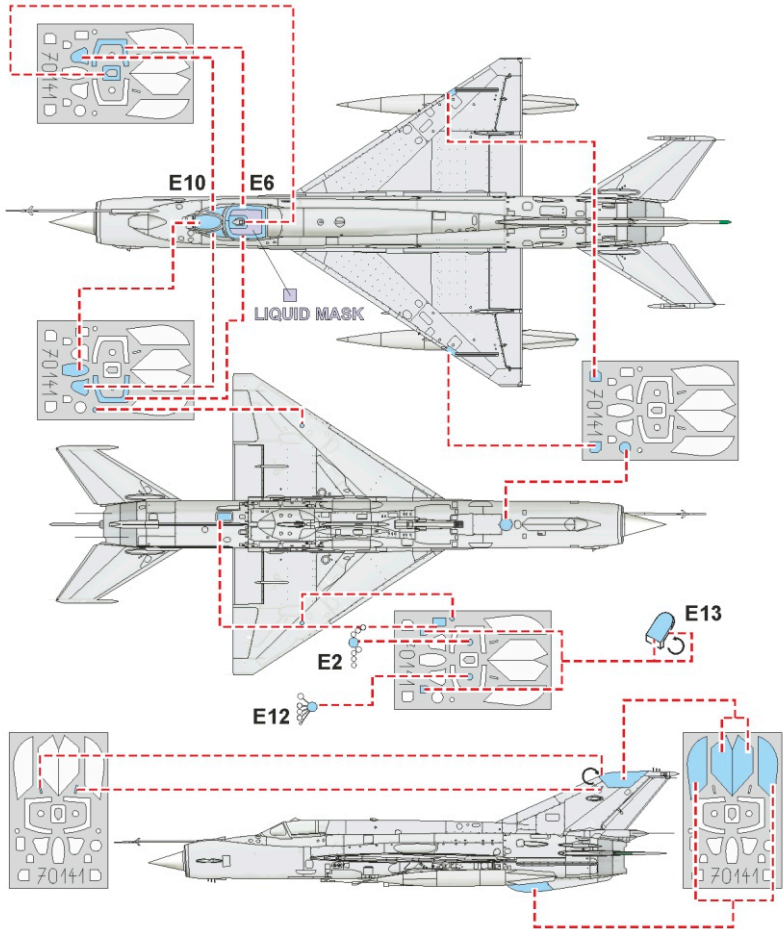
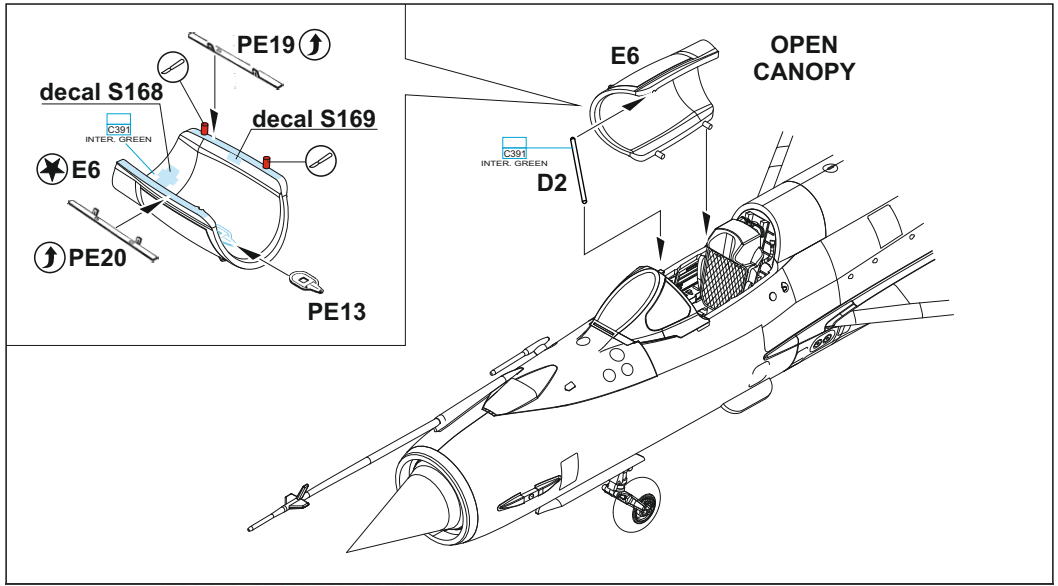
⤴ **PE16**

⤴ **PE16**

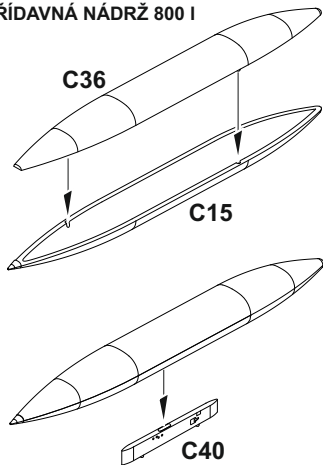
⤴ **PE4**

⤴ **PE12**

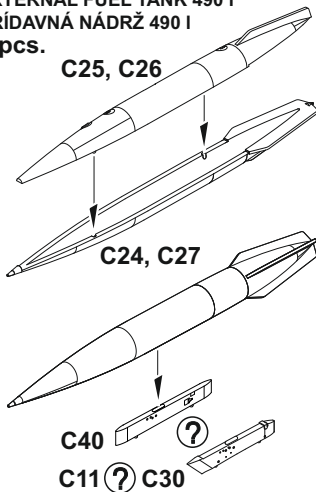




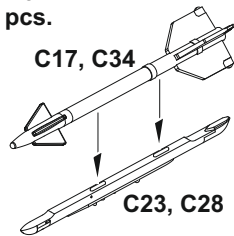
**EXTERNAL FUEL TANK 800 I**  
**PRÍDAVNÁ NÁDRŽ 800 I**



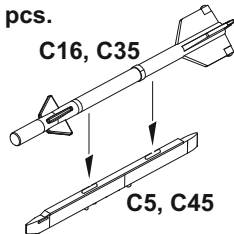
**EXTERNAL FUEL TANK 490 I**  
**PRÍDAVNÁ NÁDRŽ 490 I**  
**2 pcs.**



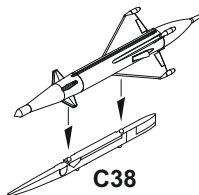
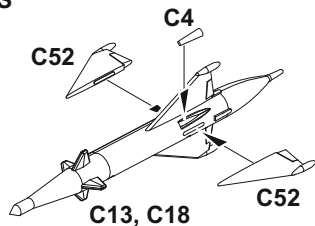
**R-13**  
**2 pcs.**



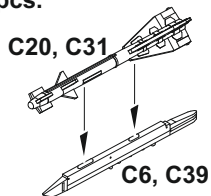
**R-3S**  
**2 pcs.**



**RS-2US**  
**2 pcs.**



**R-60**  
**2 pcs.**



**EXTERNAL FUEL TANK PYLONS**  
**ZÁVĚSNÍK**  
**PR. NÁDRŽE**  
**C30**

UNDERSURFACE  
 COLOR



**EXTERNAL FUEL TANK PYLONS**  
**ZÁVĚSNÍK**  
**PR. NÁDRŽE**

UNDERSURFACE  
 COLOR



UNDERSURFACE  
 COLOR



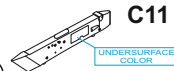
UNDERSURFACE  
 COLOR



UNDERSURFACE  
 COLOR

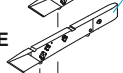


UNDERSURFACE  
 COLOR

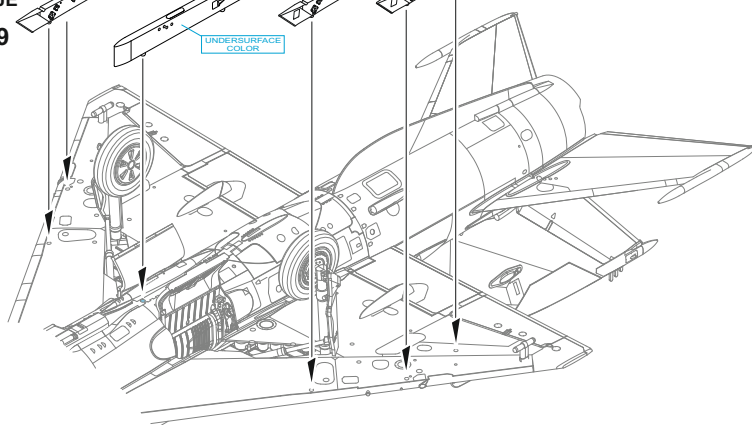


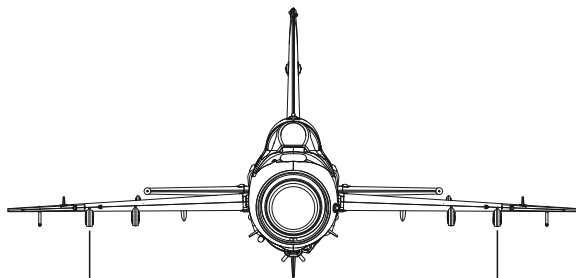
**WEAPON PYLONS**  
**ZÁVĚSNÍK VÝZBROJE**

C9



**WEAPON PYLONS**  
**ZÁVĚSNÍK VÝZBROJE**





**EXTERNAL  
FUEL  
TANK 800 l**

|| C40



**EXTERNAL  
FUEL  
TANK 490 l**

|| C40



**EXTERNAL  
FUEL  
TANK 490 l**

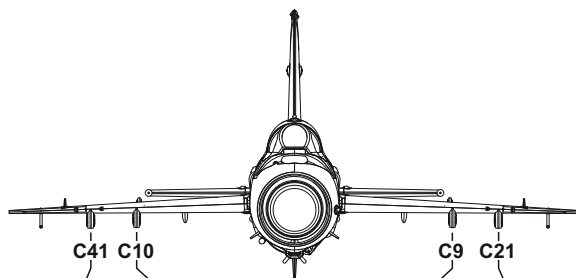
|| C11



|| C30



## TYPICAL ARMAMENT FOR QUICK REACTION ALERT DUTY



**2x RS-2US**

|| C5



|| C38



|| C38



|| C45



**2x R-3S**

**2x RS-2US**

|| C23



|| C38



|| C38



|| C28



**2x R-13**

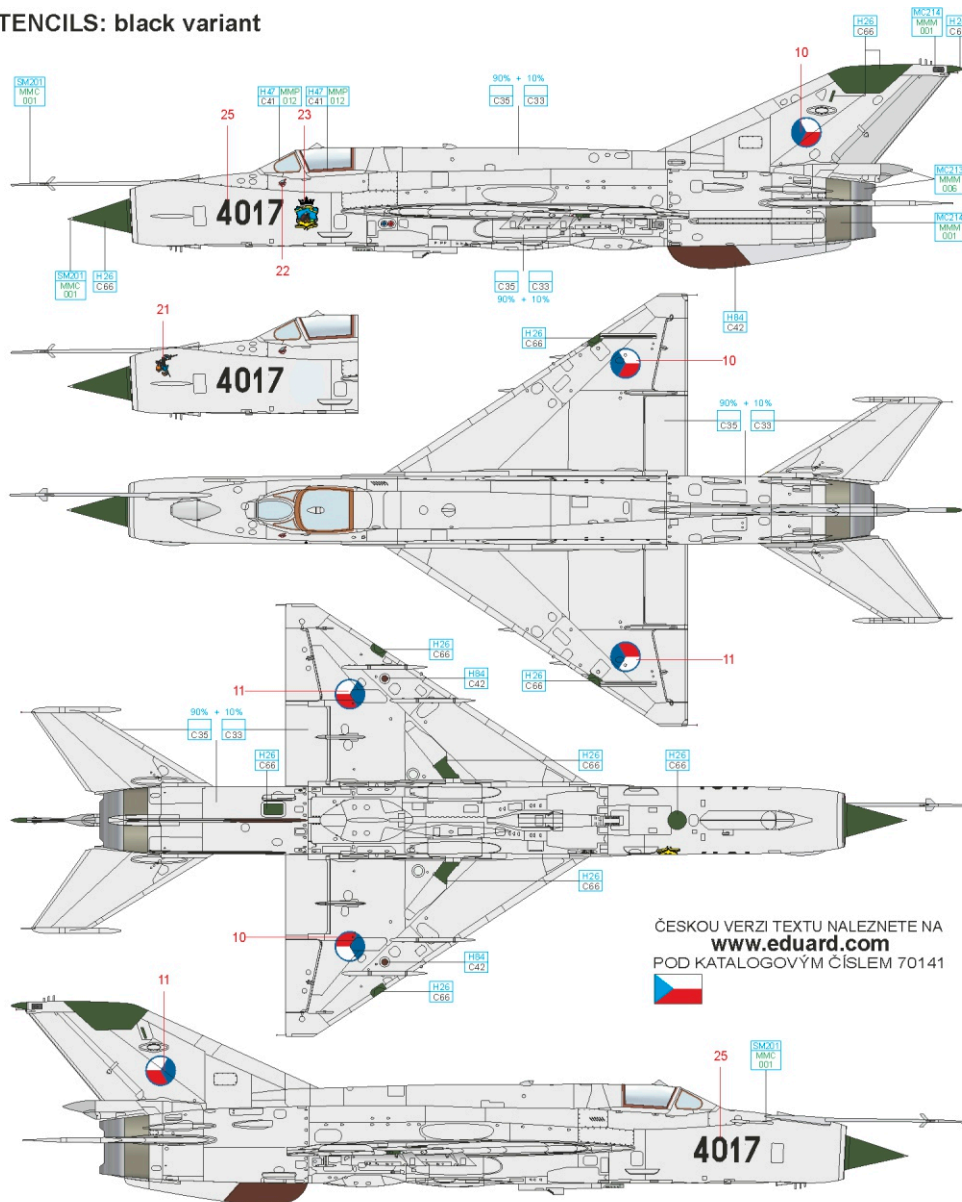
**TO CHOOSE WEAPON AND EXTERNAL FUEL TANK  
OPTION PLEASE FOLLOW YOUR REFERENCE.**

**PRO VOLBU VÝZBROJE A PŘÍDAVNÝCH NÁDRŽÍ SE DRŽTE  
DOKUMENTACE KONKRÉTNÍHO STROJE.**



This MiG-21MF from České Budějovice (1. slp – 1st Fighter Air Regiment) was handed over to 9. slp (9th Fighter Air Regiment) in Bechyně in 1988. The technician, Vladimír Daňo, painted a sign portraying a squirrel onto the aircraft. He did the same to other aircraft in his care (4x MiG-21MF, 1x MiG-21UM and 1x L-29). After the command ordering him to remove the squirrel sign, the sign was covered by gray colour and the nose of the aircraft got another sign, this time a duck with a sword. An aircraft bearing this kind of sign was handed over from 1st Squadron of 9. sbolp (9th Fighter-Bomber Air Regiment) to 82. ssIt (82nd Independent Fighter Squadron) in Ostrava Mošnov. After a short stay there, the plane was deposited to LOZ Linč. In 1999 it was upgraded to an MFN standard and put back into operation again.

**STENCILS: black variant**



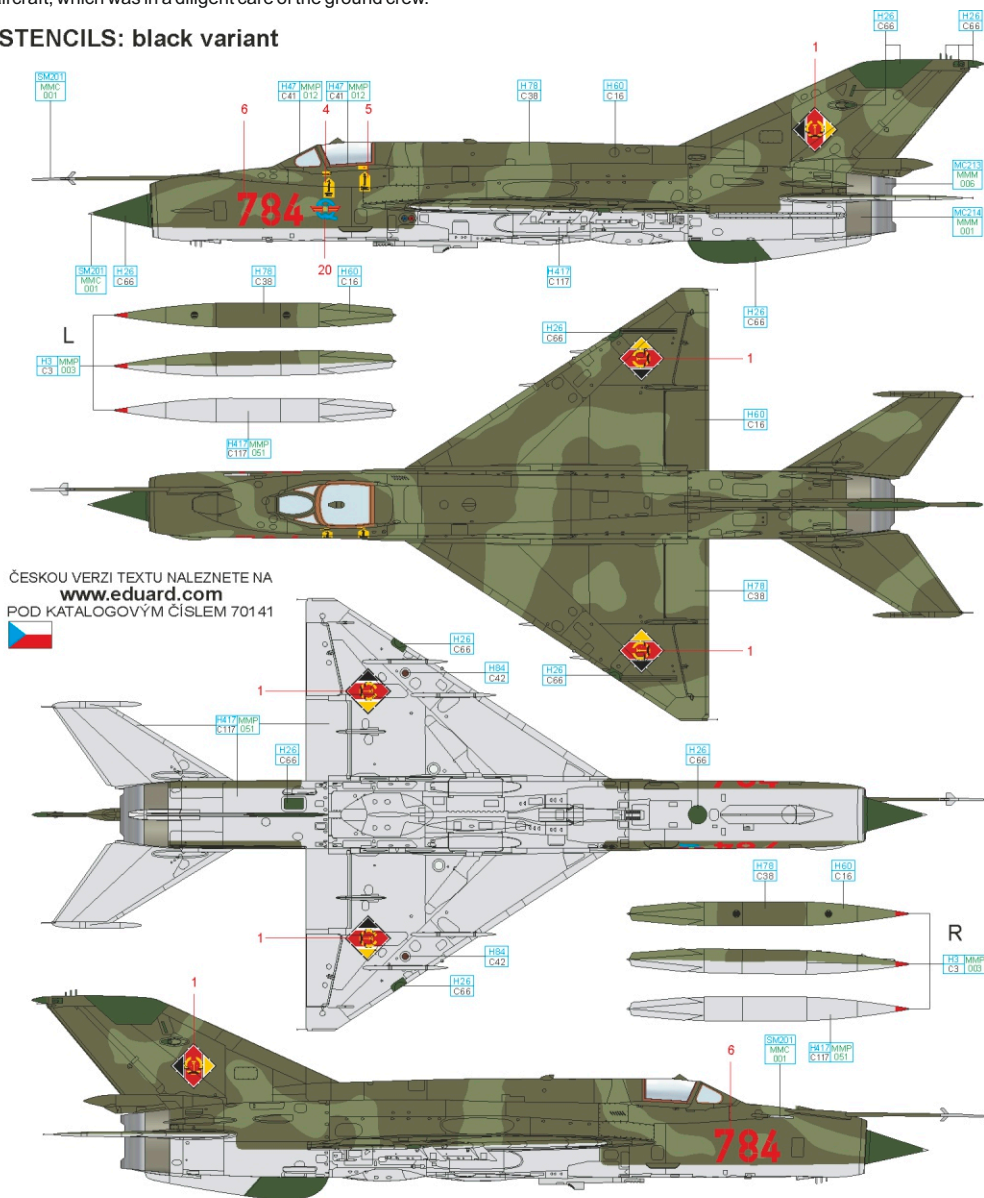
ČESKOU VERZI TEXTU NALEZNETE NA  
**www.eduard.com**  
 POD KATALOGOVÝM ČÍSLEM 70141



DARK IRON	M/C214	MMM 001	MAHOGANY	H34	C42
STEEL	M/C215	MMM 006	BRIGHT GREEN	H26	C66
			LIGHT GRAY	C35	
			BLACK	C33	
			SUPER FINE SILVER	SM201	MMC 001
			LIGHT BROWN	H47	MM/P C411 012

On December 14th, 1954 the 3rd Kommando of the 1st Aeroklub was established in Cottbus; on August 24th 1956, it was renamed to Fliegergeschwader 3. The same year, following the use of training aircraft, Yak-11 and 18, it was equipped with MiG-15s. The first MiG-21s in an F-13 variant went to the first military unit in 1962. On March 1st, 1971 this unit was bestowed on the honorary name after Russian astronaut, Wladimir Komarow, who died in 1967 while performing an emergency landing of a spacecraft. In 1988, a scheduled change of the then used MiG-21MFs for MiG-29s that were substituted by "21s" took place at two out of three Staffels. The camouflage of the Eastern German Aircraft No. 784 is formed by two shades of green on the upper surfaces; the undersides are camouflaged by light blue. Underneath the cockpit there is a so-called Q-mark, a marking of the aircraft, which was in a diligent care of the ground crew.

## STENCILS: black variant



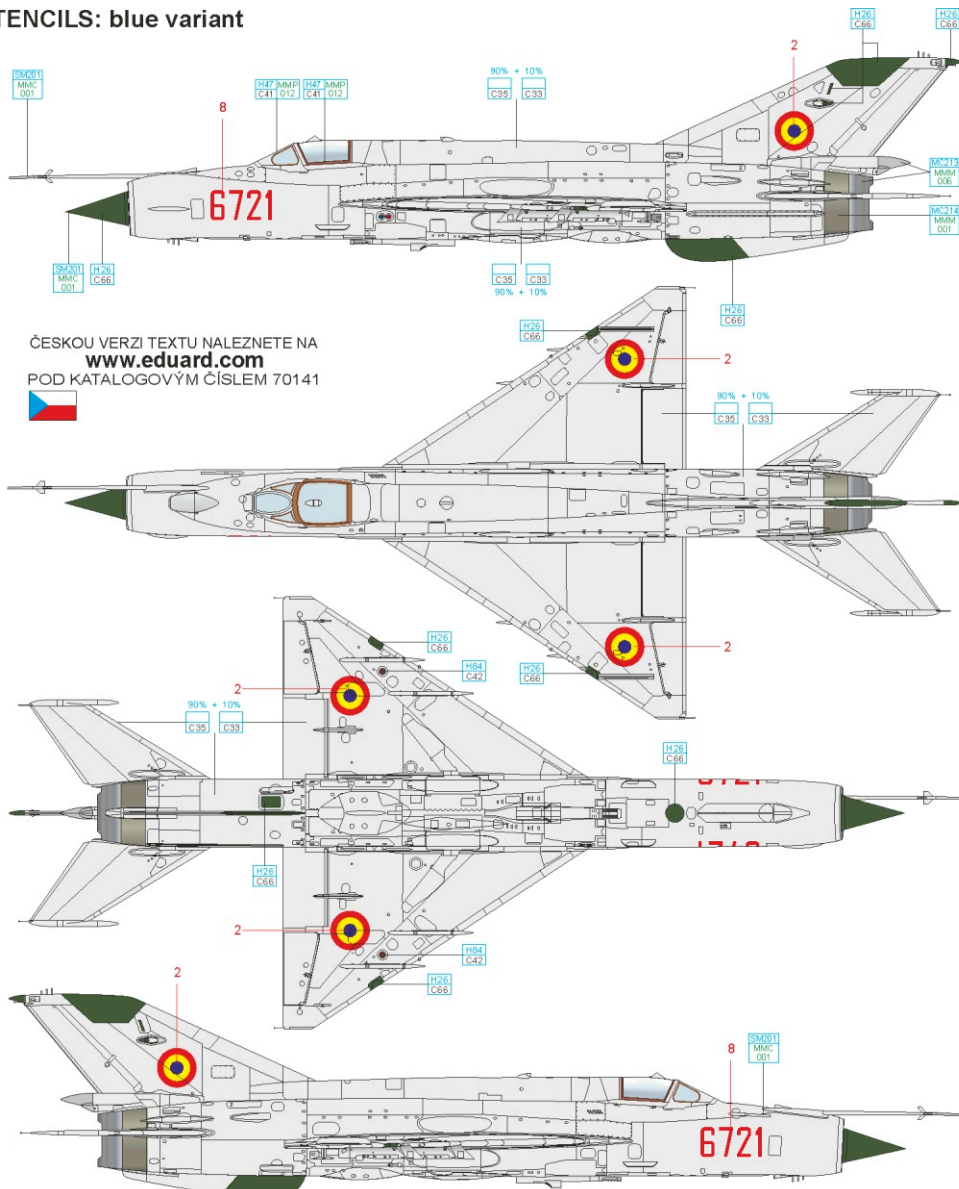
ČESKOU VERZI TEXTU NALEZNETE NA  
[www.eduard.com](http://www.eduard.com)  
 POD KATALOGOVÝM ČÍSLEM 701 41



DARK IRON	M201	MMM	001	RED	H13	MMMP	C3	003	BRIGHT GREEN	H26	C66	OLIVE DRAB	H76	C38						
STEEL	M201	MMM	006	LIGHT BROWN	H47	MMMP	C41	012	GREEN	H60	C16	MAHOGANY	H84	C42						
												SUPER FINE SILVER	SM20	MMC	001	LIGHT BLUE	H41	MMMP	C117	051

The first aircraft of the MF version were supplied to then Socialistic Republic of Romania in 1972. These aircraft first served along with the older versions of MiG-21 and MiG-15, which they consequently substituted. From 1975, the aircraft produced in plant No. 21 in Gorky were supplied to Escadriila de Aviație Vânătoare, which was renamed to Regimentul 71 Aviație Vânătoare on June 30th, 1986. On June 9th, 1987 this unit was transferred from Devesel Base to Câmpia Turzii Base from where the aircraft has been taking off till nowadays. On November 22nd, 2006 Cpt. Cdr. Dan Ghica, crashed with this aircraft near to the town of Beliu, he did not survive the crash. Like other aircraft produced in Plant 21 in Gorky, this aircraft was supplied in gray colour on all surfaces. There were Romanian national insignia on traditional six positions on the aircraft accompanied by the last four digits of the production number, in red colour, placed on the nose of the aircraft.

**STENCILS: blue variant**



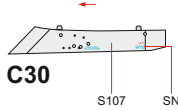
ČESKOU VERZI TEXTU NALEZNETE NA  
**www.eduard.com**  
POD KATALOGOVÝM ČÍSLEM 70141



DARK IRON	M/C214	MMM 001	MAHOAGANY	H84 C42
STEEL	M/C215	MMM 006	BRIGHT GREEN	H26 C66
			LIGHT GRAY	C35
			BLACK	C33
			SUPER FINE SILVER	SM201
			MIMC 001	
			LIGHT BROWN	H47 MIMP C41 012



LEVÝ VNĚJŠÍ PALIVOVÝ  
PYLON  
LEFT OUTSIDE  
UNDERWING TANK PYLON



SN - SERIAL NUMBER  
MALÉ NA DRÁK LETOUNU  
STŘEDNÍ NA ZÁVĚSNÍKY  
VELKÉ NA RAKETNICE

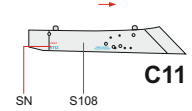
PODTRUPOVÝ PYLON  
FUSELAGE PYLON



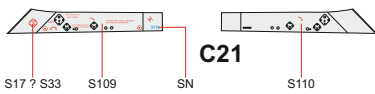
SN - SERIAL NUMBER  
SMAL TO AIRFRAME  
MEDIUM TO PYLONS  
LARGE TO ROCKET LAUNCHERS



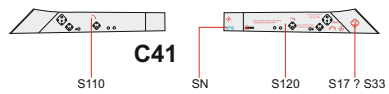
PRAVÝ VNĚJŠÍ PALIVOVÝ  
PYLON  
RIGHT OUTSIDE  
UNDERWING TANK PYLON



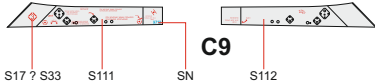
LEVÝ VNĚJŠÍ PYLON  
LEFT OUTSIDE PYLON



PRAVÝ VNĚJŠÍ PYLON  
RIGHT OUTSIDE PYLON



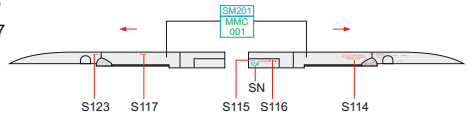
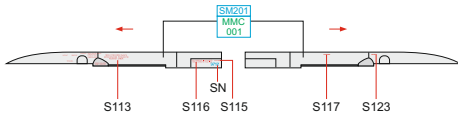
LEVÝ VNITŘNÍ PYLON  
LEFT INSIDE PYLON



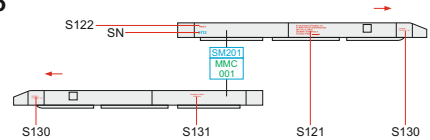
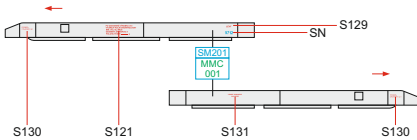
PRAVÝ VNITŘNÍ PYLON  
RIGHT INSIDE PYLON



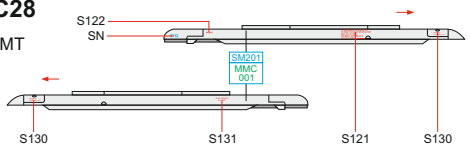
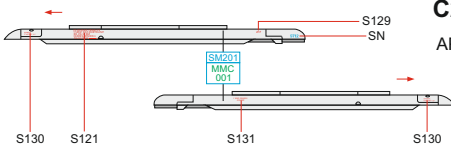
**C38**  
APU-7



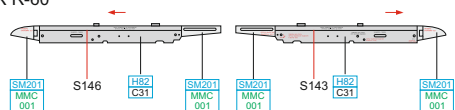
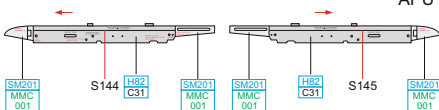
**C5, C45**  
APU-13

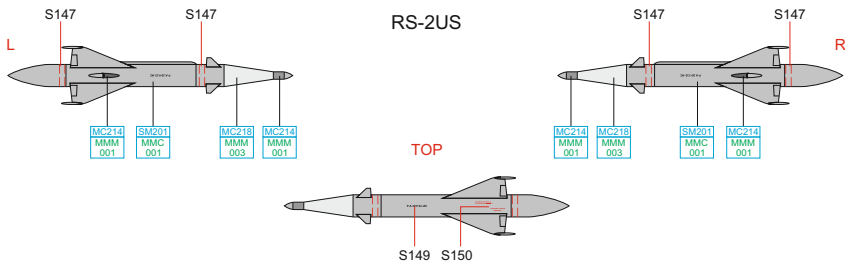
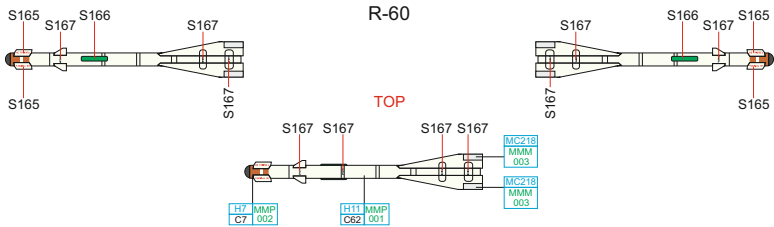
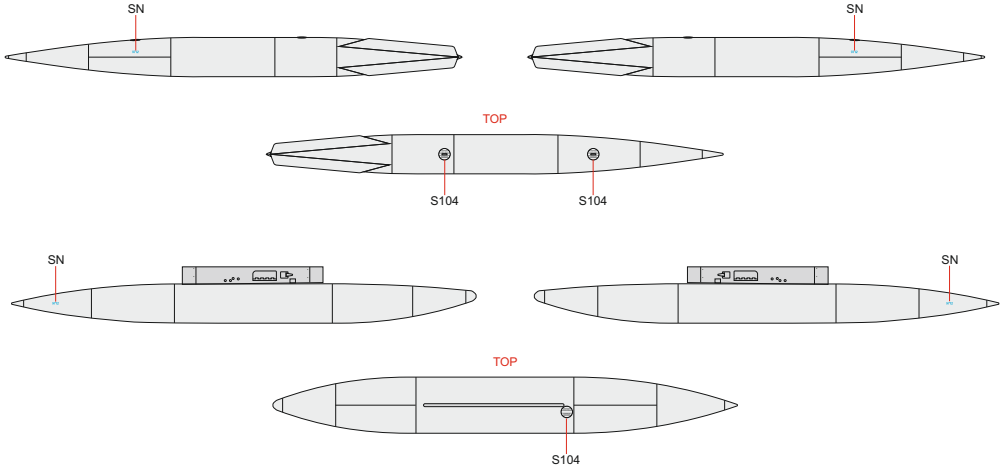


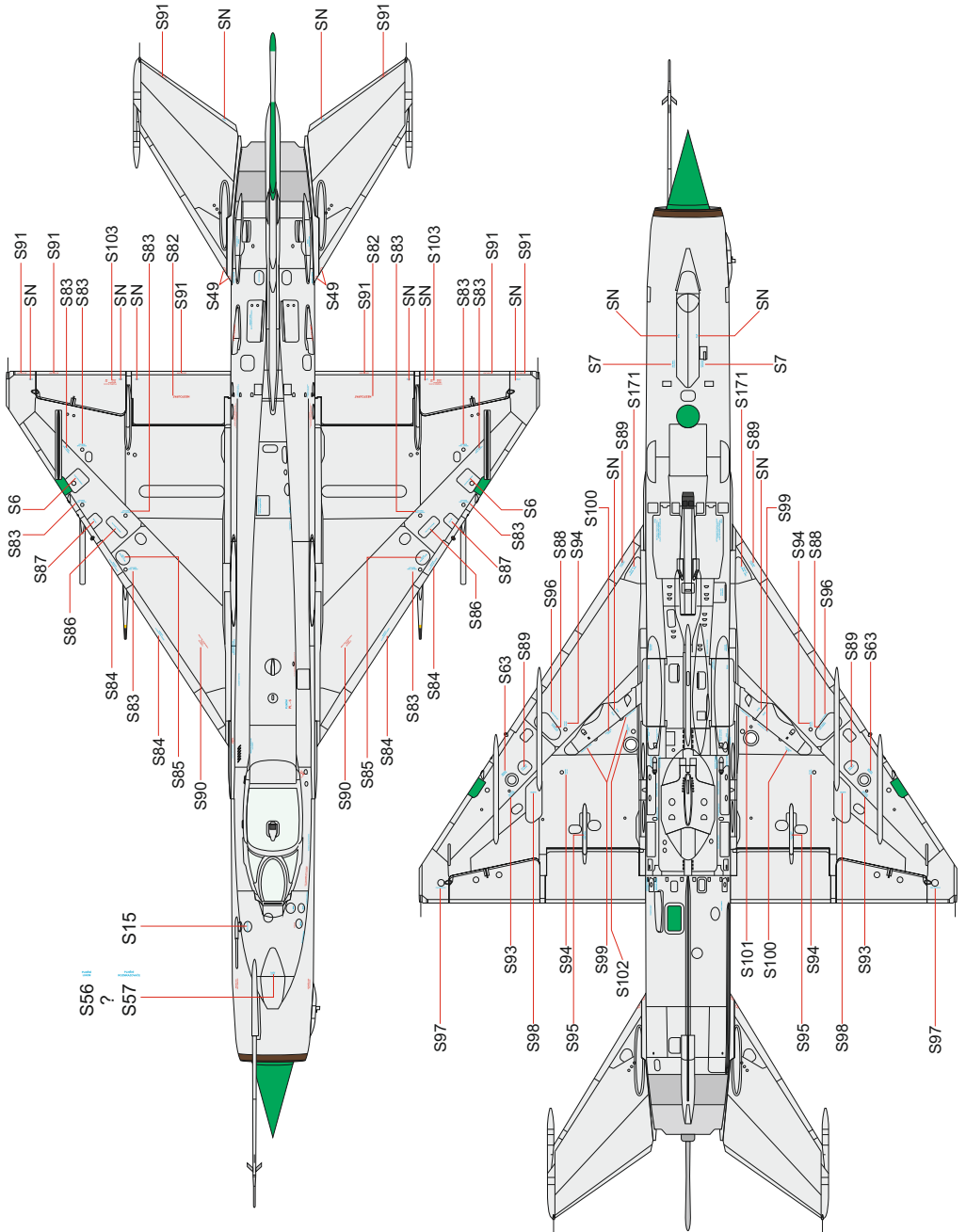
**C23, C28**  
APU-13MT

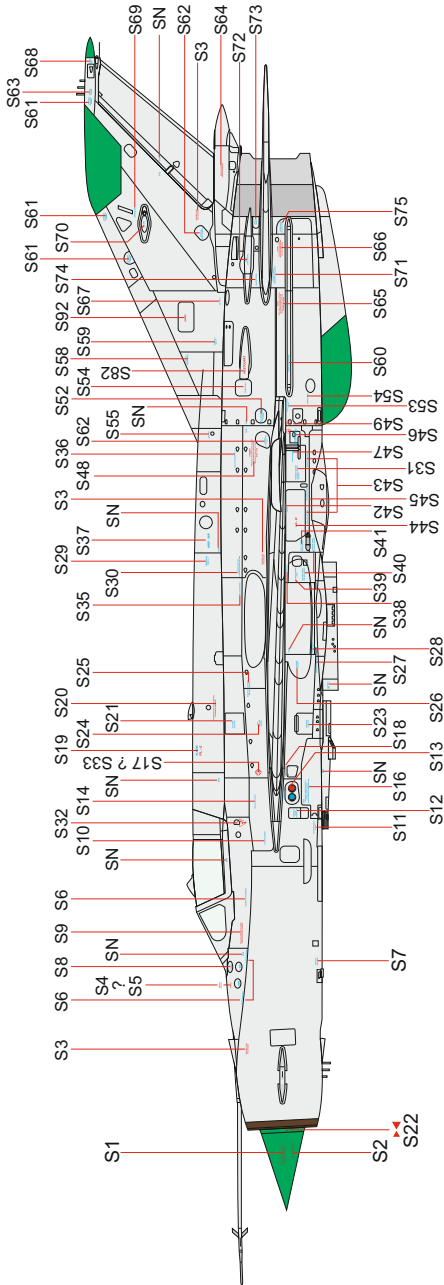


**C6, C39**  
APU FOR R-60









**SN - SERIAL NUMBER**  
 SMAL TO AIRFRAME  
 MEDIUM TO PYLONS  
 LARGE TO ROCKET LAUNCHERS

**SN - SERIAL NUMBER**  
 MALÉ NA DRÁK LETOUVNU  
 STŘEDNÍ NA ZÁVĚSNÍKY  
 VELKÉ NA RAKETNICE

