

# MiG-21MF Interceptor

eduard

1/72 Scale Plastic Model Kit



item No. 7469

**WEEKEND**  
edition

**The MiG-21 was the most-produced supersonic fighter in the world serving with more than fifty Air Forces over four continents. The Mig-21MF was an export variant, but it saw use with the Soviet Union air force as well.**

The MiG-21 was one of a long-list of Mikoyan-Gurevich designs integrated into the armed forces of the Soviet Union, the Warsaw Pact, and allied client states. Its predecessors included such notable types as the MiG-15, MiG-17, and the supersonic MiG-19. The roots of MiG-21 project reach back to the first half of the fifties. In 1954, when the preliminary design study Ye-1 came to its end and was quickly replaced by the reworked Ye-2 prototype. Both had a swept wing. The first MiG design to feature the delta wing was the Ye-4 prototype, which took to the air for the first time on June 16, 1955. It was also demonstrated a year later at the Moscow airfield Tushino.

The new aircraft with the MiG-21 designation was the first successful Soviet design integrating fighter and interceptor characteristics. It was also quite light Mach 2 aircraft, although the long-lasting development was adding weight gradually. The design featured sleek fuselage with the front air intake and shock cone. This feature later limited future development due to the very small space available for the radar.

## Cold War warrior

The first of the new line to enter production was the MiG-21F, which together with the MiG-21P and MiG-21F-13 represented the first generation of this line. These versions were in production through the end of the fifties and the beginning of the sixties. Subsequent versions included the PF, FL, PFM and R with production of these peaking at the end of the sixties. The third generation started production in 1968 and included the most advanced versions of MiG-21 like the M, SM, MF, SMT or bis among others. Simultaneously, two-seat training versions were also produced designated MiG-21U, UM and US.

Production of the MiG-21 ended in 1985. The new aircraft came off Soviet production lines in Moscow, Gorky and Tbilisi, the MiG-21F-13 was also built under license in Czechoslovakia and the MiG-21FL, M and bis in India by Hindustan Aeronautics Ltd. The Soviet Union produced 10,645 examples of all versions, 194 were built in Czechoslovakia and 657 in India. During the Cold War, the opponents of the MiG-21 included the likes of the Northrop F-5 Freedom Fighter or the Dassault Mirage III. NATO assigned it the reporting name "Fishbed", while the Soviet pilots called it "Balalaika" due to the shape which resembled it with the popular Russian musical instrument.

## Aces from Asia, Middle East or Africa

Outside of the Soviet Union, the type flew with a long list of nations on four continents (Europe, Asia, Africa, and South America) and participated in many conflicts and wars. The most remarkable combat use includes the Vietnam war, the Indo

-Pakistan wars, the Cuban participation in Angola and in the Arab world's attempts to eliminate Israel. It is no wonder there were many pilots achieving their ace status flying one or more variants of MiG-21.

Thanks to the high volume of use and intensive combat actions, the Vietnamese pilots are topping the list of aces of MiG-21. The top of the ladder is occupied by Nguyen Van Coc with nine kills with three eight-victory aces following: Mai Van Cuong, Nguyen Hong Nhi and Pham Thanh Ngan. Of the other nations the Syrian pilots Bassam Hamshun and Majid Zugbi both achieved seven kills flying MiG-21MF, while Adeb Al-Jarf had the same score with MiG-21FL and Egyptian pilots Ali Vajai, Sami Marei and Sami Marei scored five times.

## This kit: MiG-21MF Interceptor

This plastic model kit represents the MiG-21MF, an export version of the MiG-21SM where the "M" signifies "modernizovaniy" (modernized) and the "F" "forsirovanniy" (with afterburner). The MiG-21MF lacked some of the "sensitive" avionics equipment of the SM version. On the other hand, it also sported some improvements to its export predecessor, the MiG-21M, in several aspects. It was powered by the more powerful Tumansky R-13-300 engine with afterburning used the Safir-21/RP-22 radar instead of less effective RP-21MA of MiG-21M.

The MiG-21MF type was identified as Izdelye (series) 96F in factory documentation. The production started in the Moscow factory No. 30, with first batch of 96 production aircraft in 1969 (it is believed these were shipped to Egypt).

Starting from 1974 the production was shifted to the No. 21 factory in Gorkhyi, where 231 aircraft were built before the production shifted to the MiG-21bis version in 1976. All the MiG-21MFs in interceptor variant were produced at Gorkhyi.

Although the MiG-21MF was export version, several aircraft saw service with 234. GvIAP (Guard Fighter Regiment) of VVS (Voenno Vozdushnie Sily - Air Force) located at the Kubinka air base. The reason was quite simple - the unit provided flight demonstrations for foreigner customers and also conducted official parade and display flights.

The armament consisted of the GS-23-2L 23mm cannon with 200 rounds. The underwing pylons could carry a combination of FAB bombs up to 500 kg caliber, UB-16-57 rocket pods, R-3S, Ch-66 or S-24 missiles, and R-60 air-to-air missile, including the R-60M. NATO assigned the MiG-21MF codename "Fishbed J". In the interceptor role the MiG-21 served with the Soviet Union and other nations of the Warsaw Pact into the eighties when it began to be replaced by the MiG-23 in seventies and MiG-29 Fulcrum in eighties.



Carefully read instruction sheet before assembling. When you use glue or paint, do not use near open flame and use in well ventilated room. Keep out of reach of small children. Children must not be allowed to suck any part, or pull vinyl bag over the head.



Před započatím stavby si pečlivě prostudujte stavební návod. Při používání barev a lepidel pracujte v dobře větrané místnosti. Lepidla ani barvy nepoužívejte v blízkosti otevřeného ohně. Model není určen malým dětem, mohlo by dojít k požití drobných dílů.

## INSTRUCTION SIGNS \* INSTR. SYMBOL \* INSTRUKTION SINNBILDEN \* SYMBOLES \* 記号の説明



OPTIONAL  
VOLBA



BEND  
OHNOU



SAND  
BROUSIT



OPEN HOLE  
VYVRTAT OTVOR



SYMETRICAL ASSEMBLY  
SYMETRICKÁ MONTÁŽ



REMOVE  
ODŘÍZNOUT



REVERSE SIDE  
OTOČIT



APPLY EDUARD MASK  
AND PAINT  
POUŽIT EDUARD MASK  
NABARVIT

PLEASE, CHECK THE LATEST VERSION OF THE INSTRUCTION ON [www.eduard.com](http://www.eduard.com)

## PARTS



## DÍLY



## TEILE

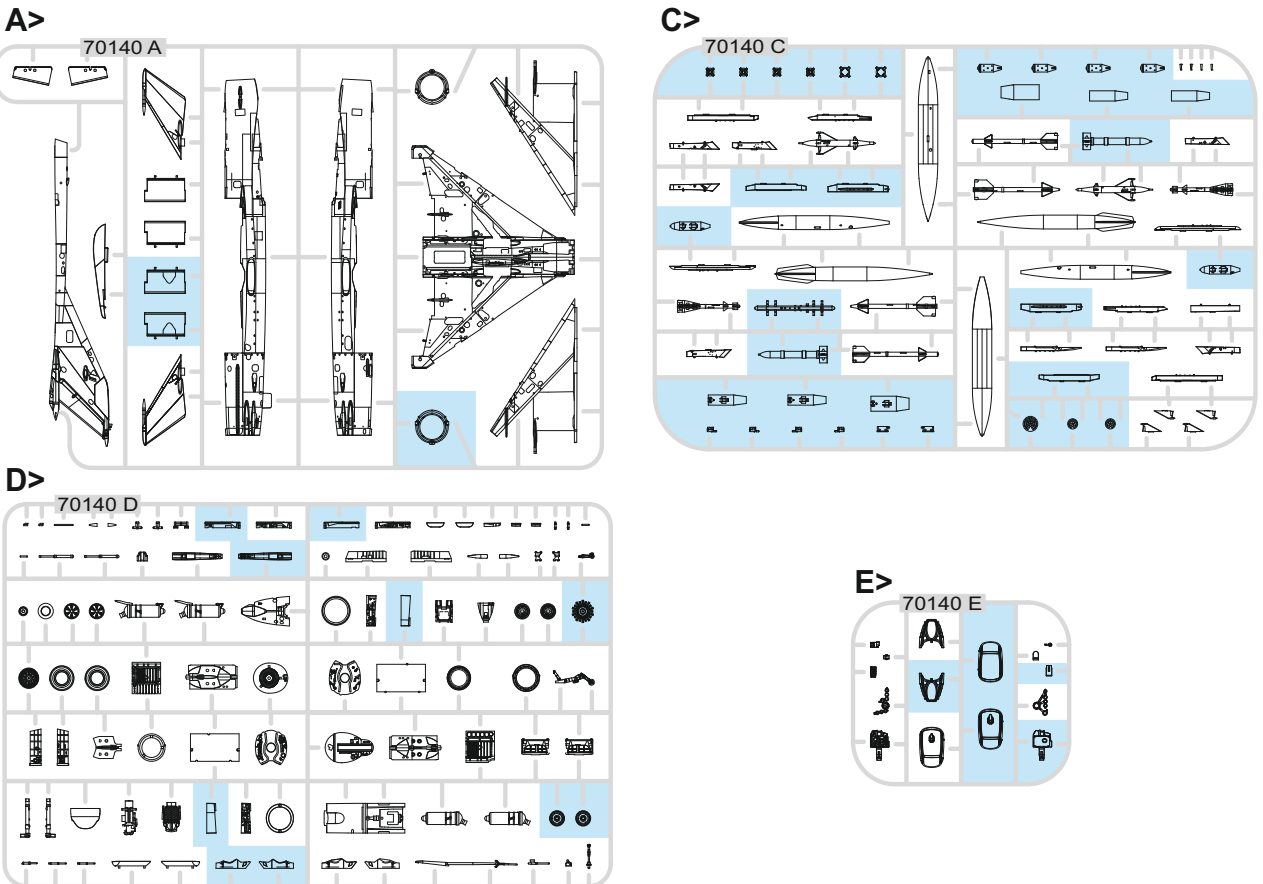


## PIÈCES



## 部品

## PLASTIC PARTS



-Parts not for use. -Teile werden nicht verwendet. -Pièces à ne pas utiliser. -Tyto díly nepoužívejte při stavbě. - 使用しない部品

## COLOURS



## BARVY



## FARBEN



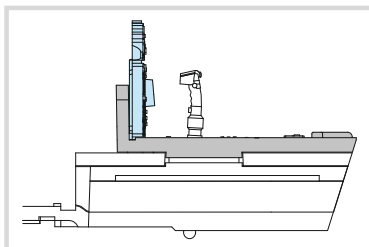
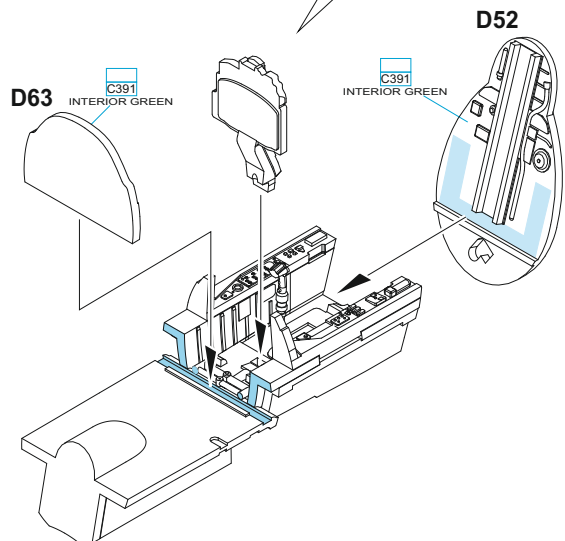
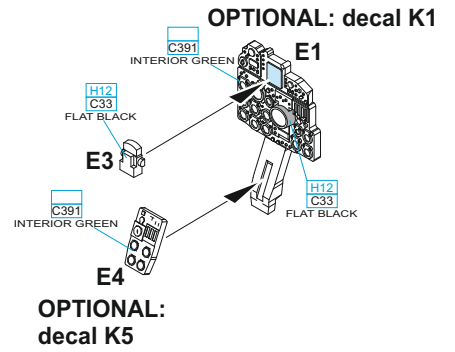
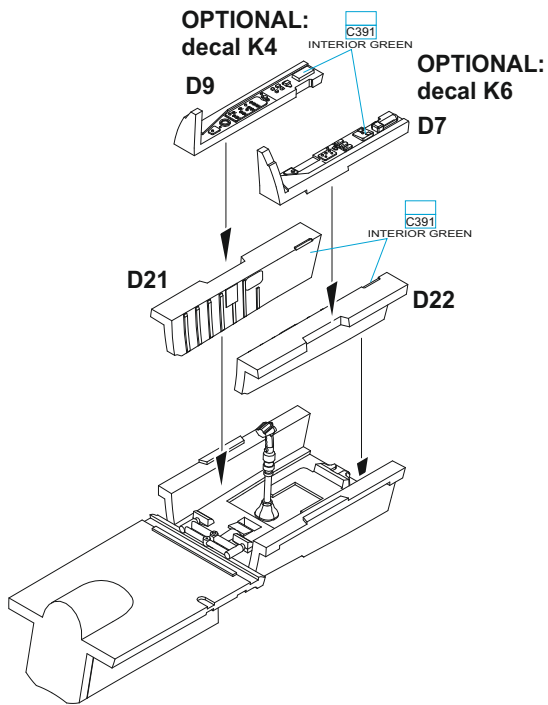
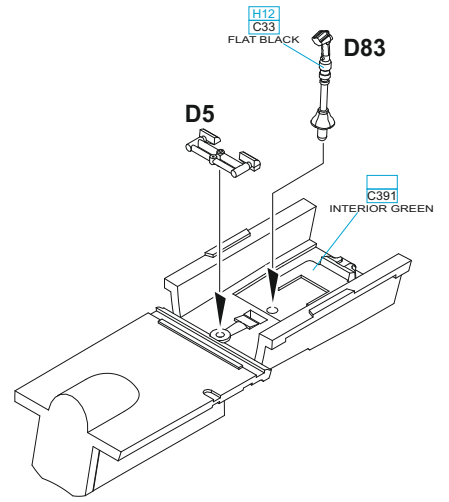
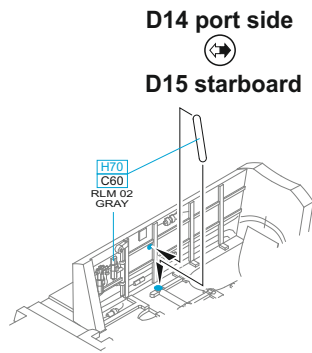
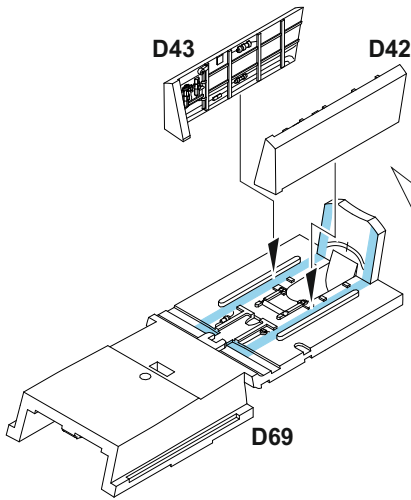
## PEINTURE

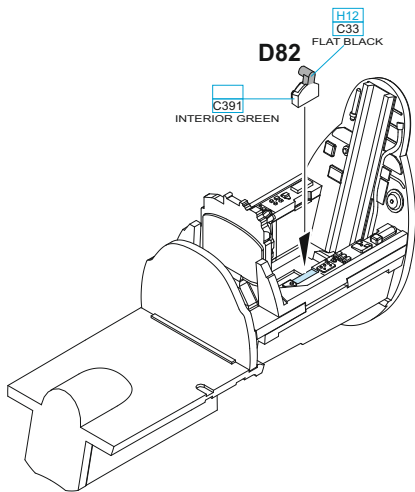
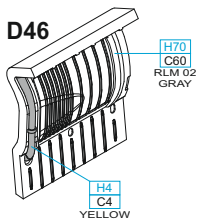
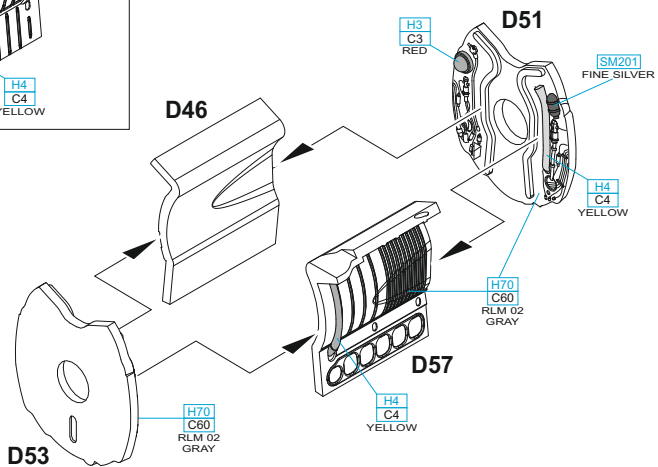
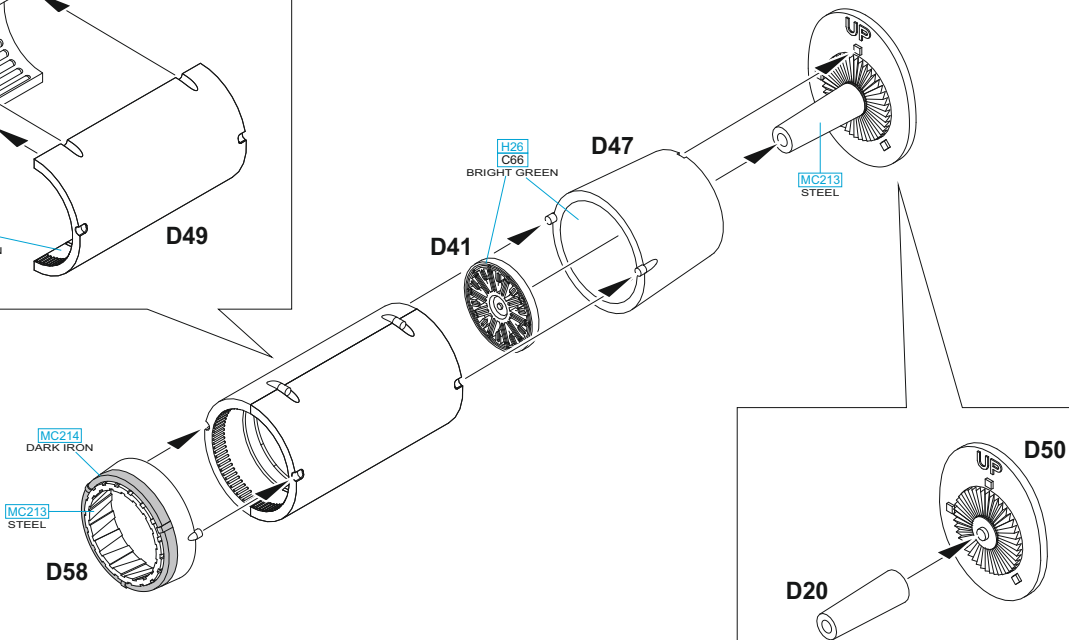
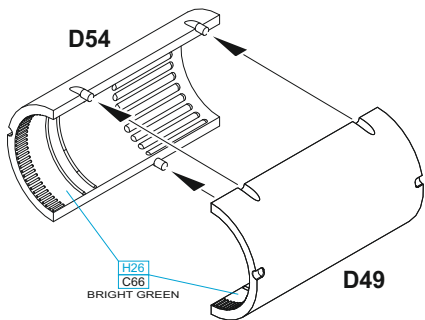
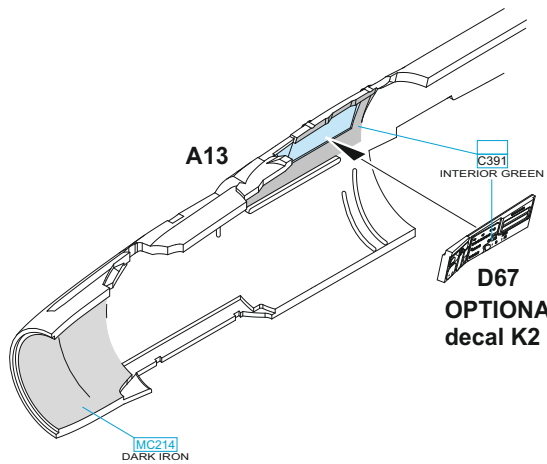
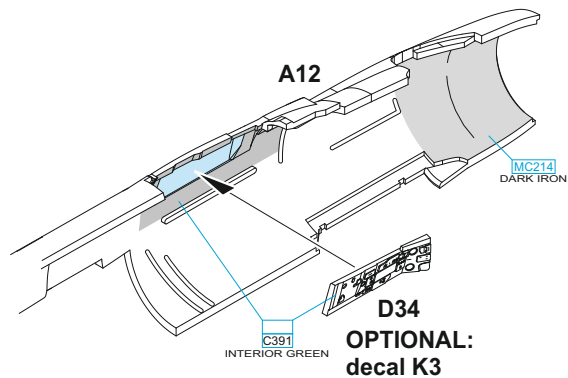


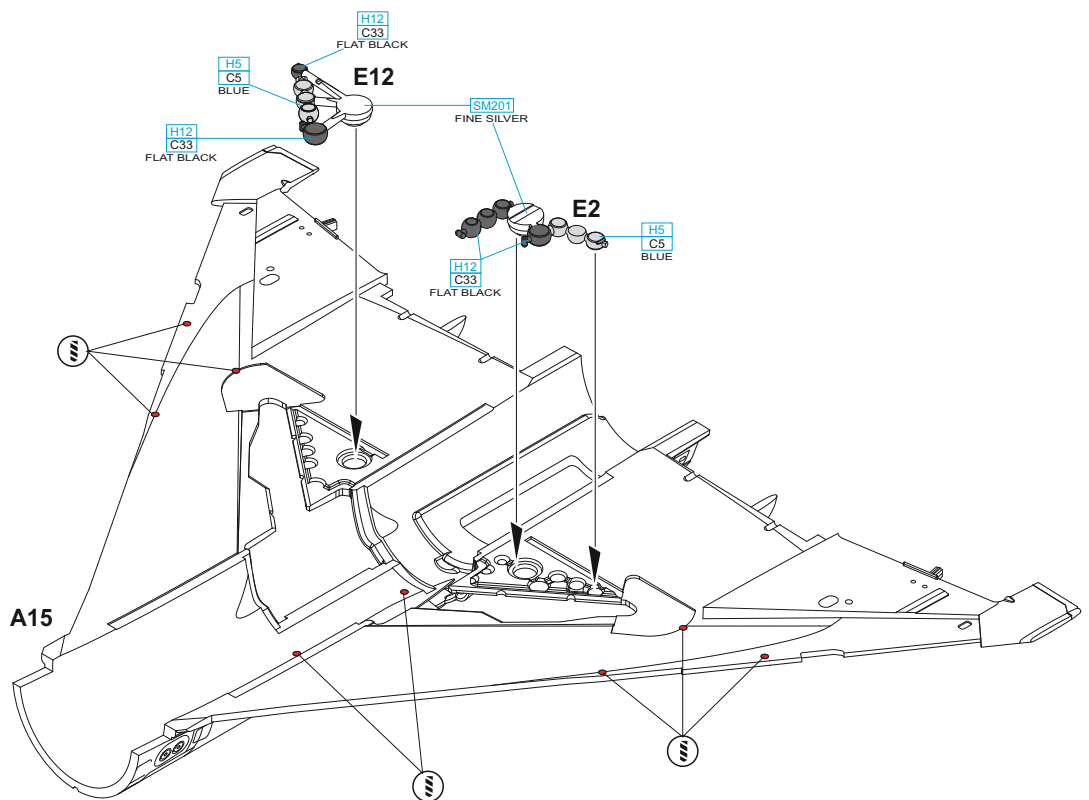
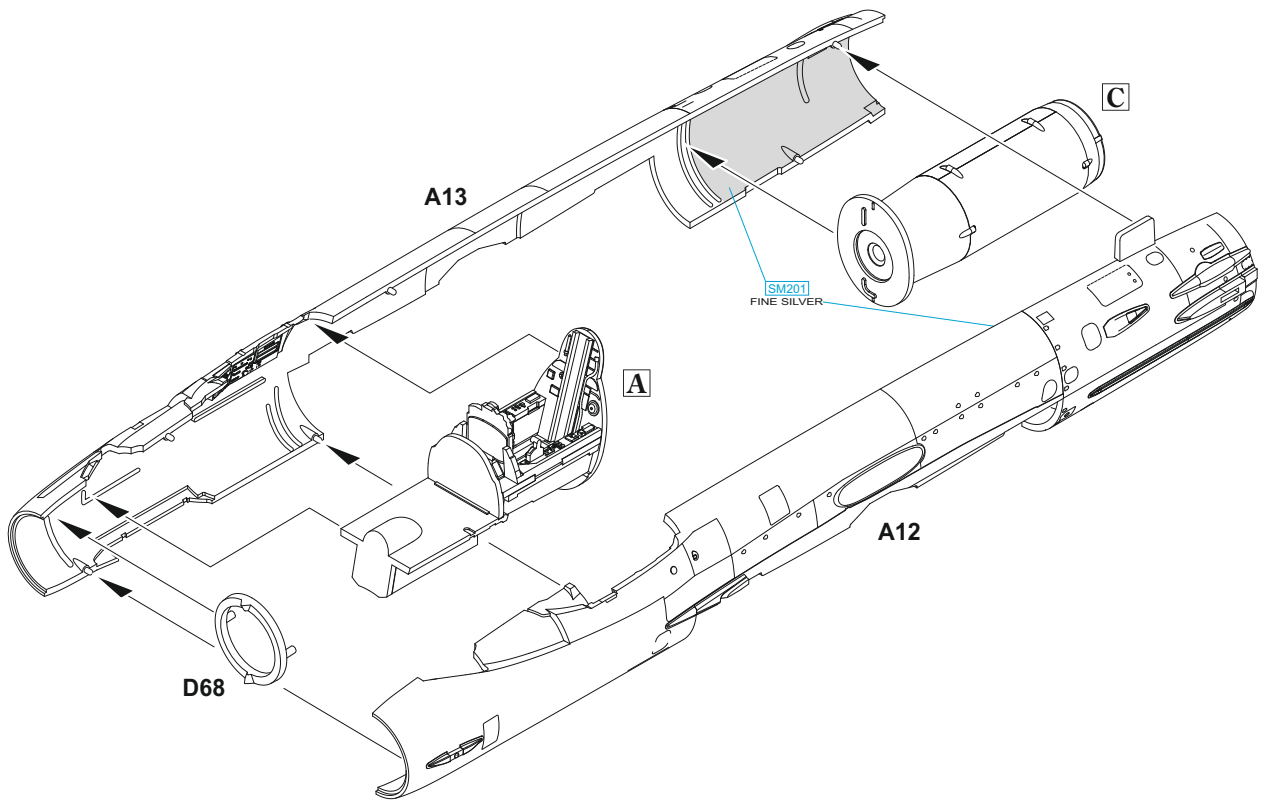
## 色

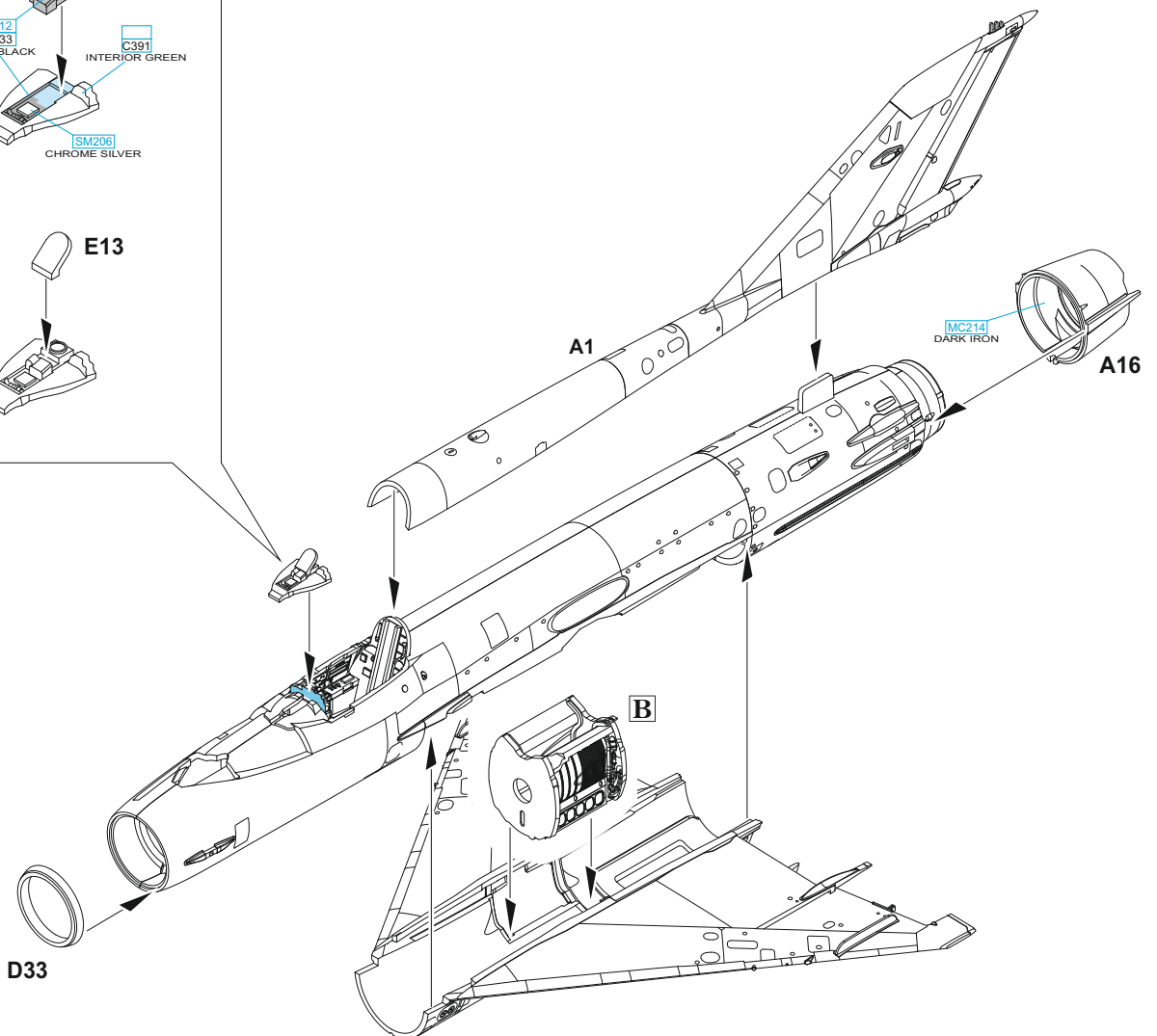
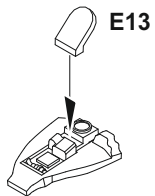
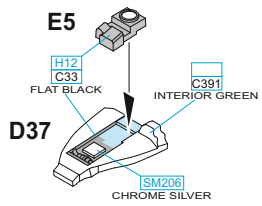
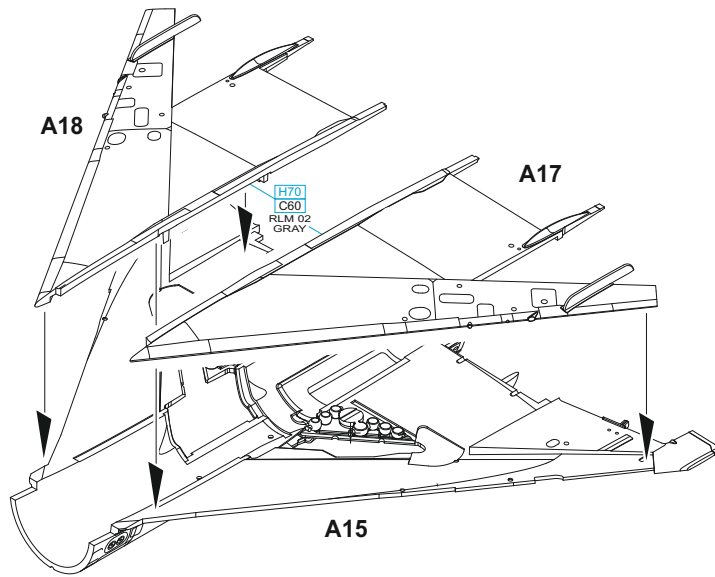
GSI Creos (GUNZE)		
AQUEOUS	Mr.COLOR	
H1	C1	WHITE
H3	C3	RED
H4	C4	YELLOW
H5	C5	BLUE
H7	C7	BROWN
H8	C8	SILVER
H12	C33	FLAT BLACK
H26	C66	BRIGHT GREEN
H27	C44	TAN
H35	C80	COBALT BLUE
H44	C51	FLESH
H47	C41	RED BROWN
H51	C11	LIGHT GULL GRAY
H53	C13	NEUTRAL GRAY
H67	C115	LIGHT BLUE
H70	C60	GRAY
H77	C137	TIRE BLACK
H78	C38	OLIVE GREEN
H84	C42	MAHOGANY
H90	C47	CLEAR RED

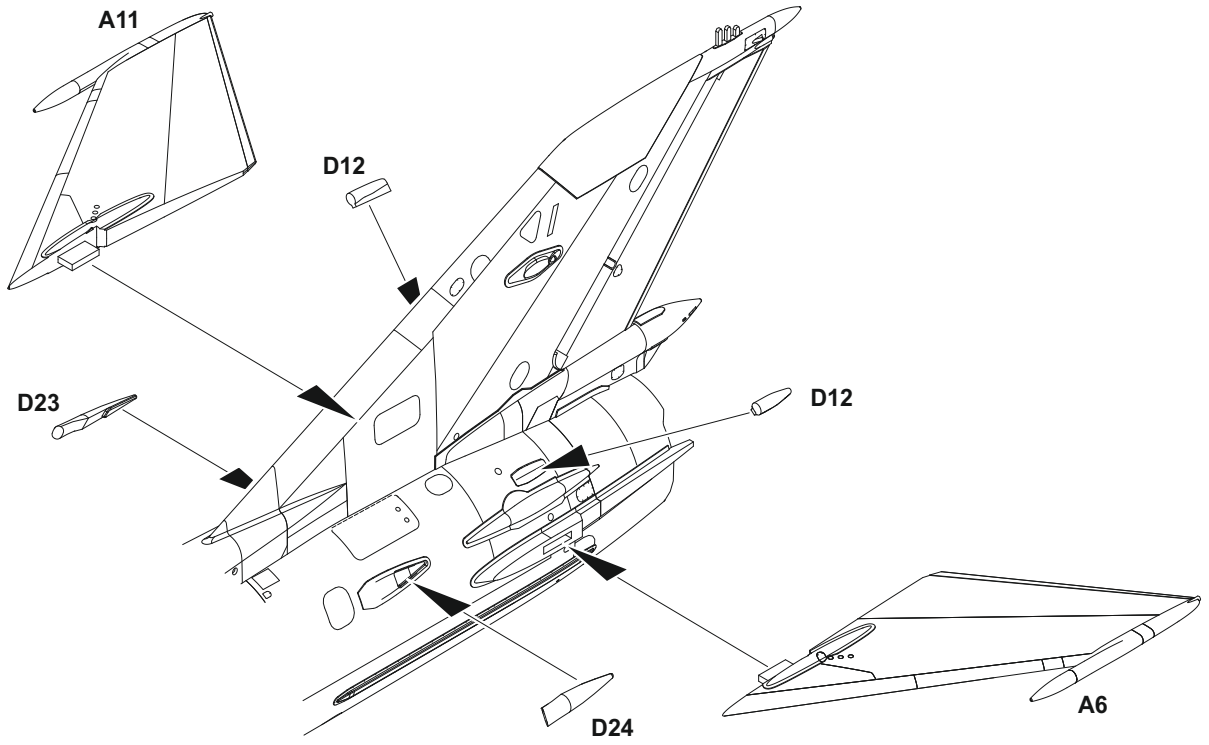
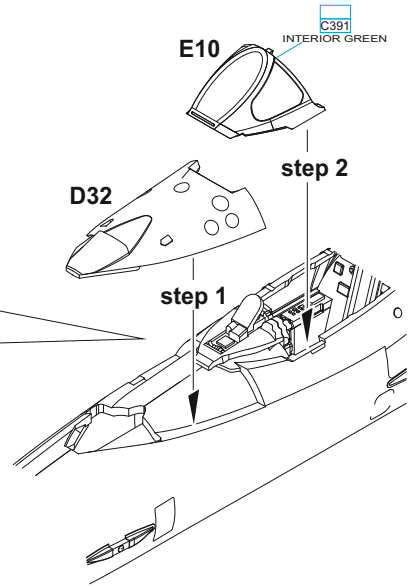
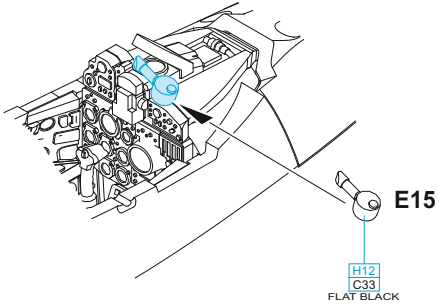
GSI Creos (GUNZE)		
AQUEOUS	Mr.COLOR	
H94	C138	CLEAR GREEN
H301	C301	GRAY
H302	C302	GREEN
H313	C313	YELLOW
H314	C314	BLUE
H332	C332	LIGHT AIRCRAFT GRAY
H334	C334	BARLEY GRAY
H421	C121	BROWN VIOLET
	C35	GRAY
	C135	RUSSIAN GREEN
	C136	RUSSIAN GREEN
	C391	INTERIOR GREEN
Mr.METAL COLOR		
	MC213	STEEL
	MC214	DARK IRON
	MC218	ALUMINIUM
Mr.COLOR SUPER METALLIC		
	SM201	SUPER FINE SILVER
	SM206	SUPER CHROME SILVER

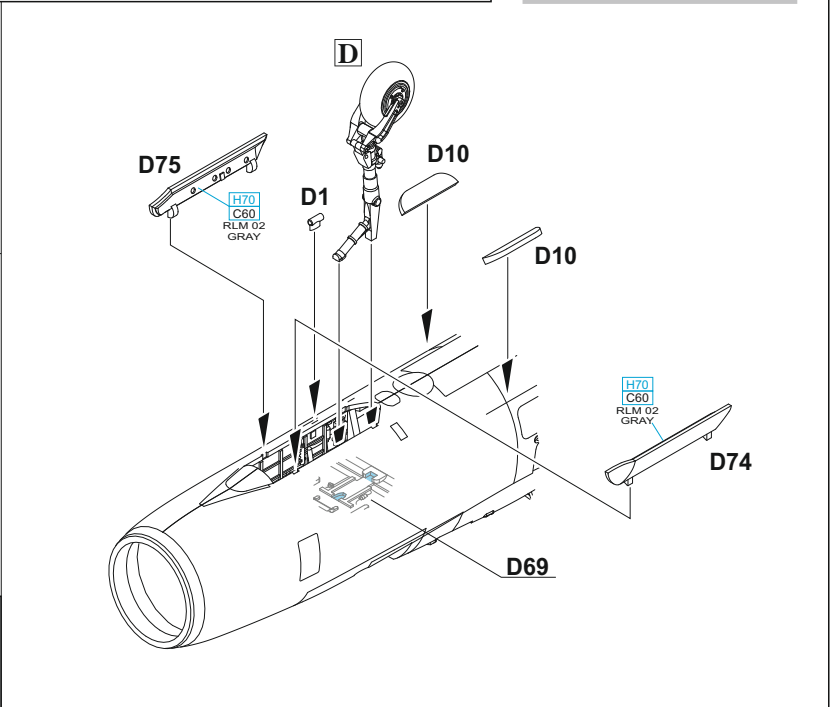
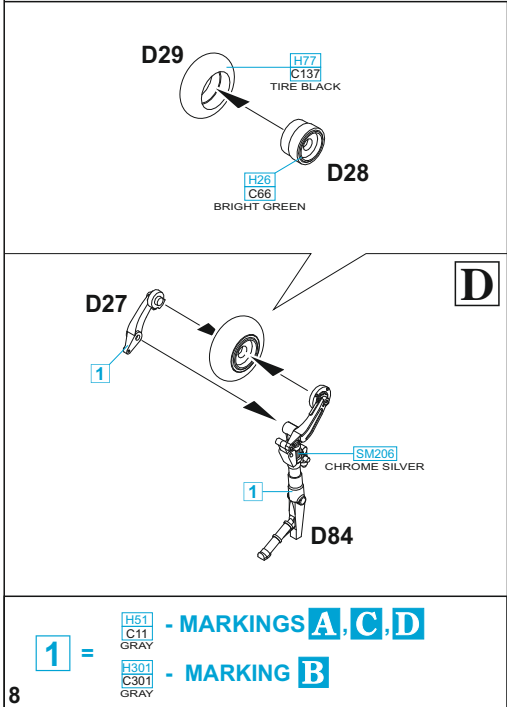
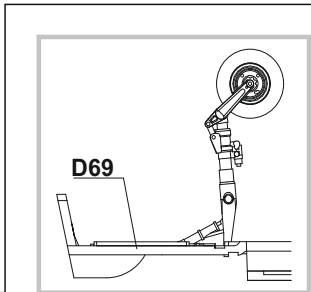
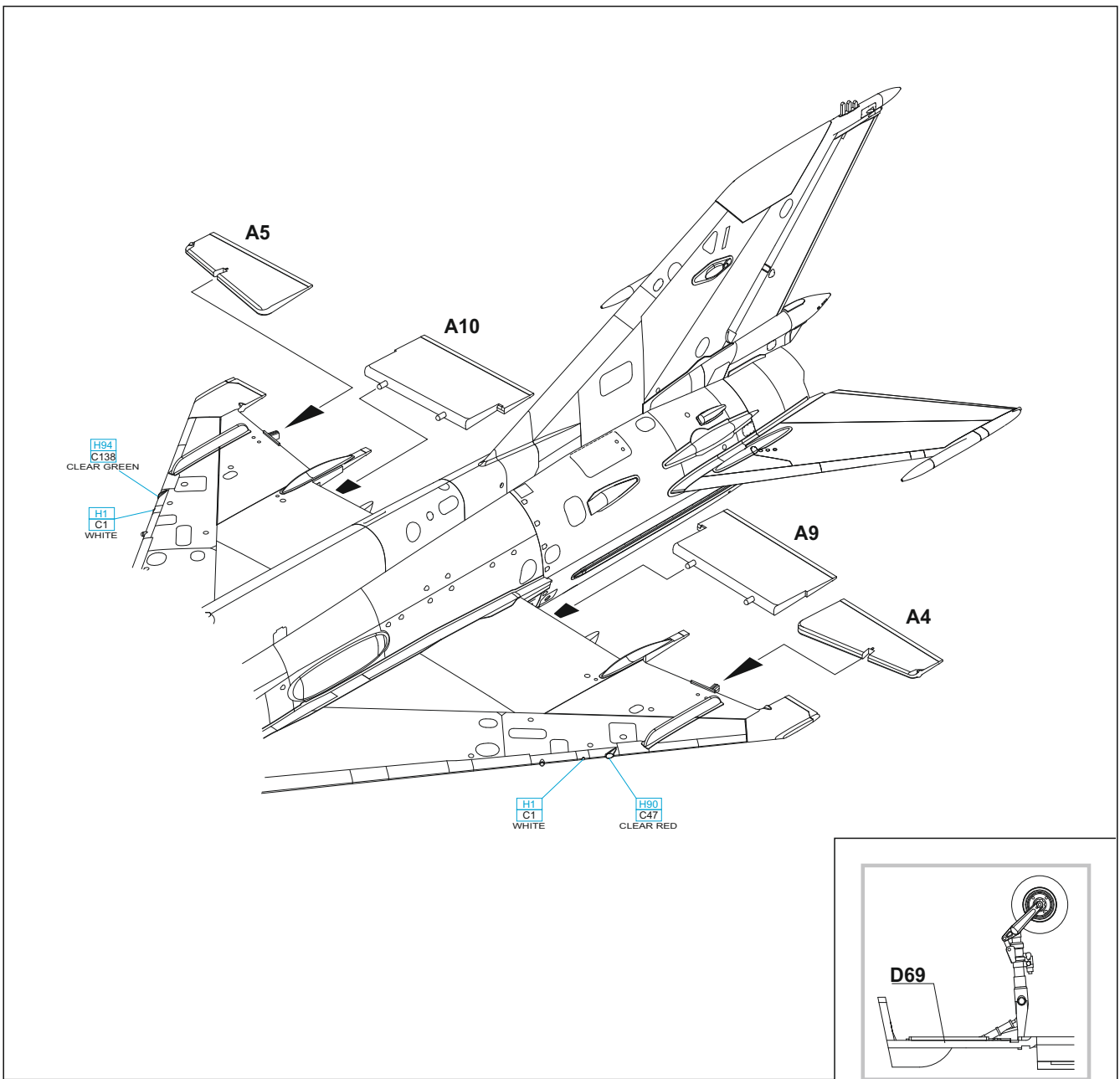


**A****D46****B****C****A13****A12**

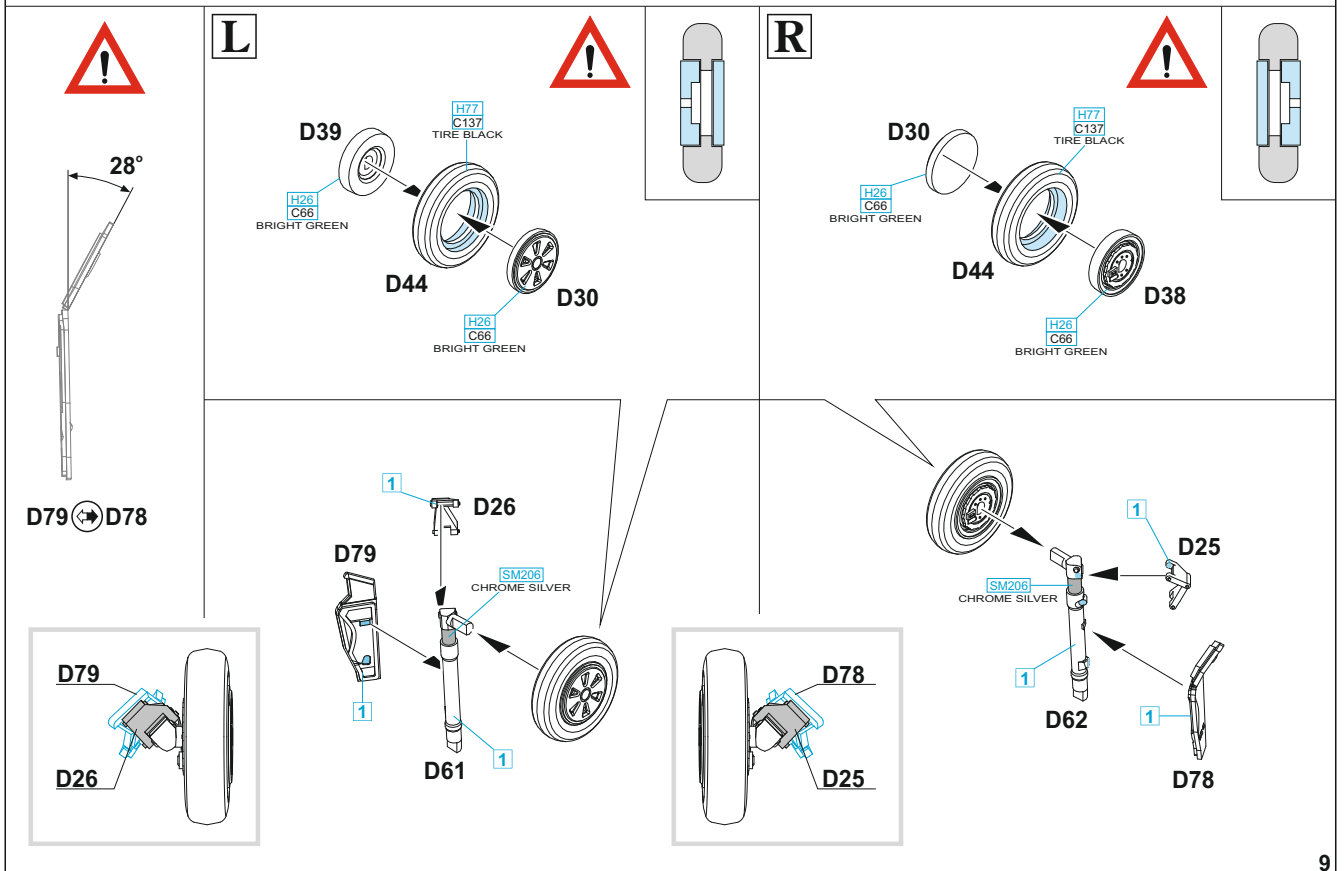
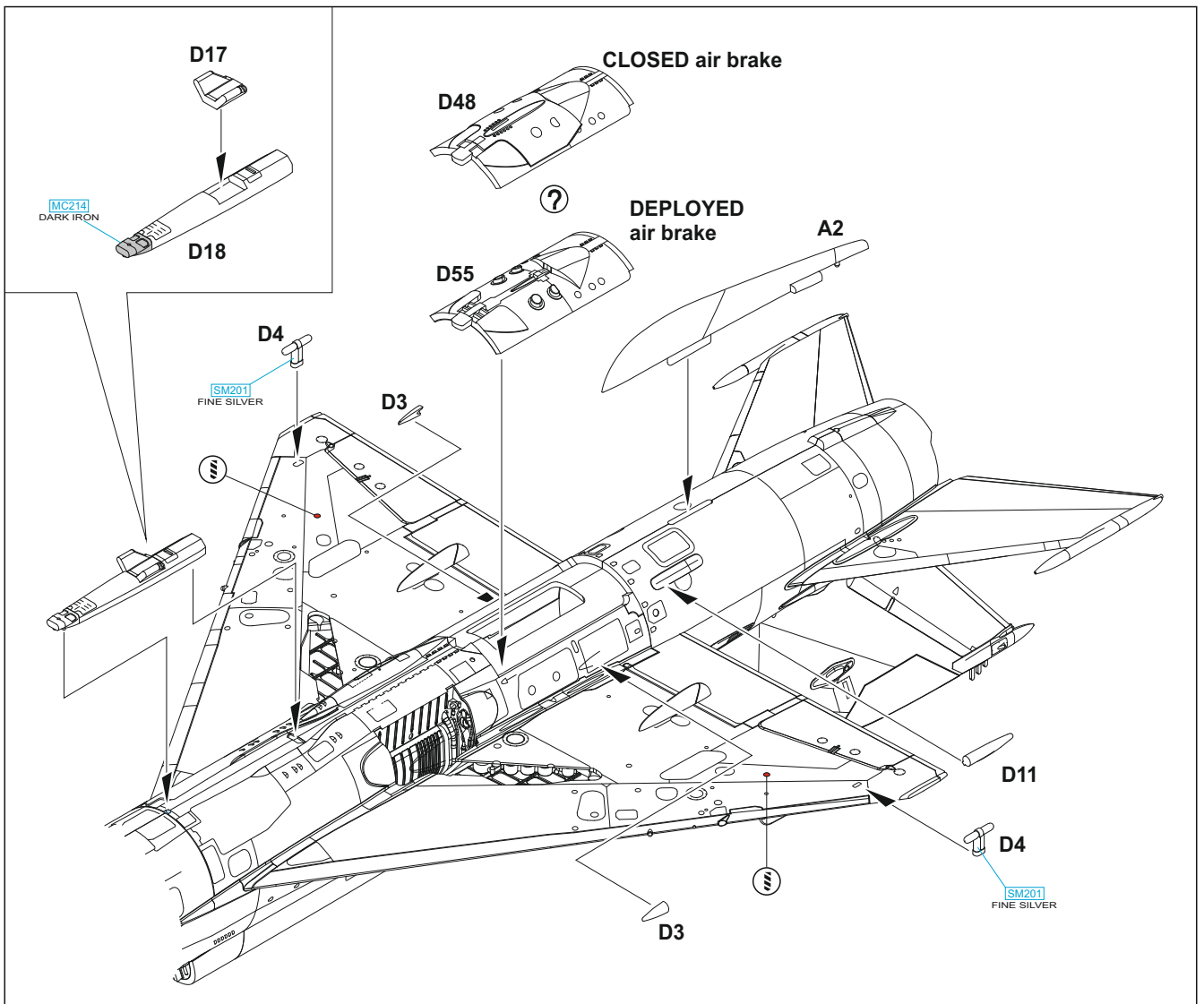


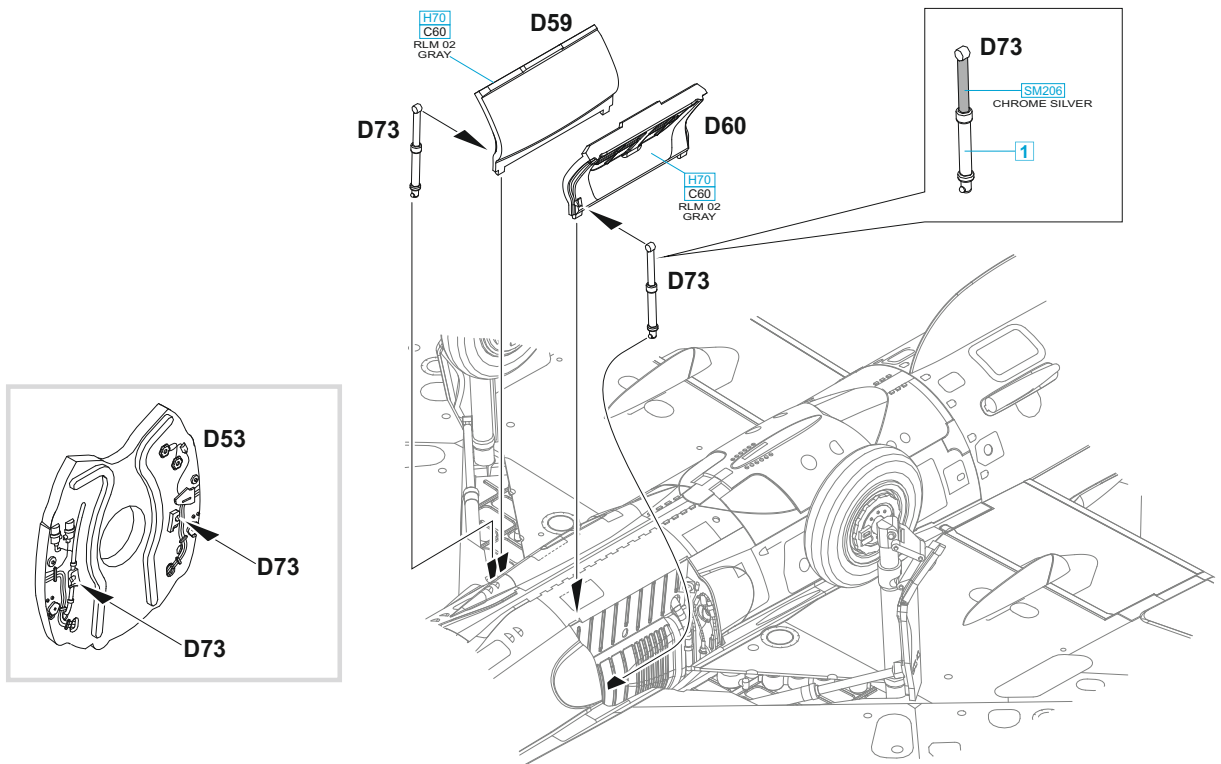
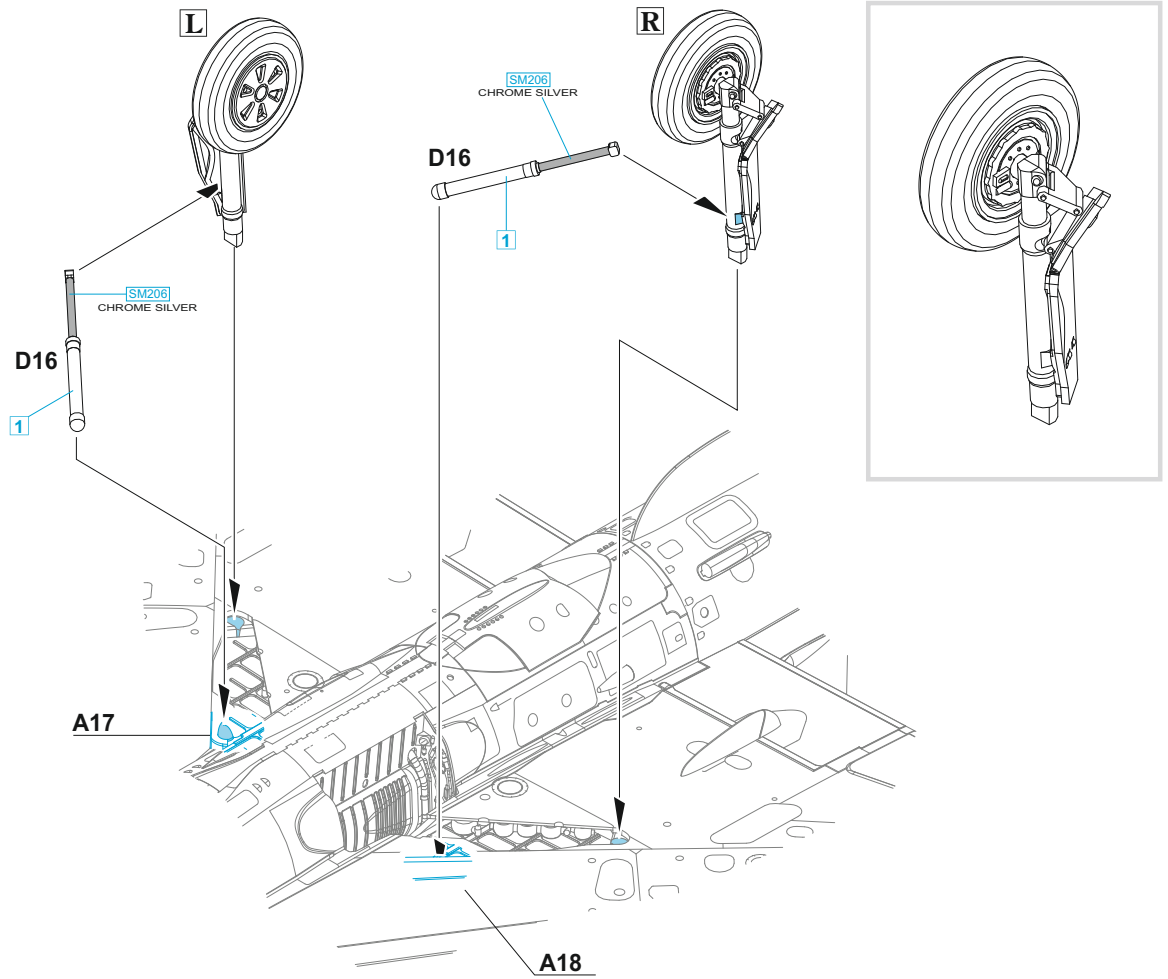


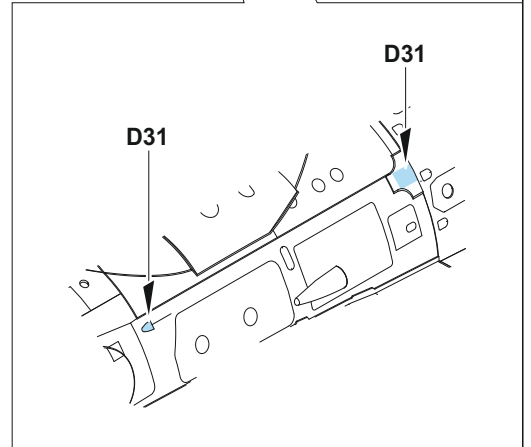
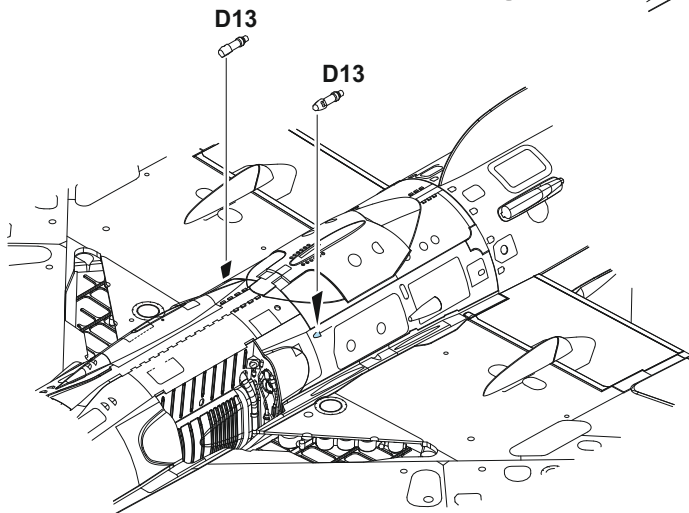
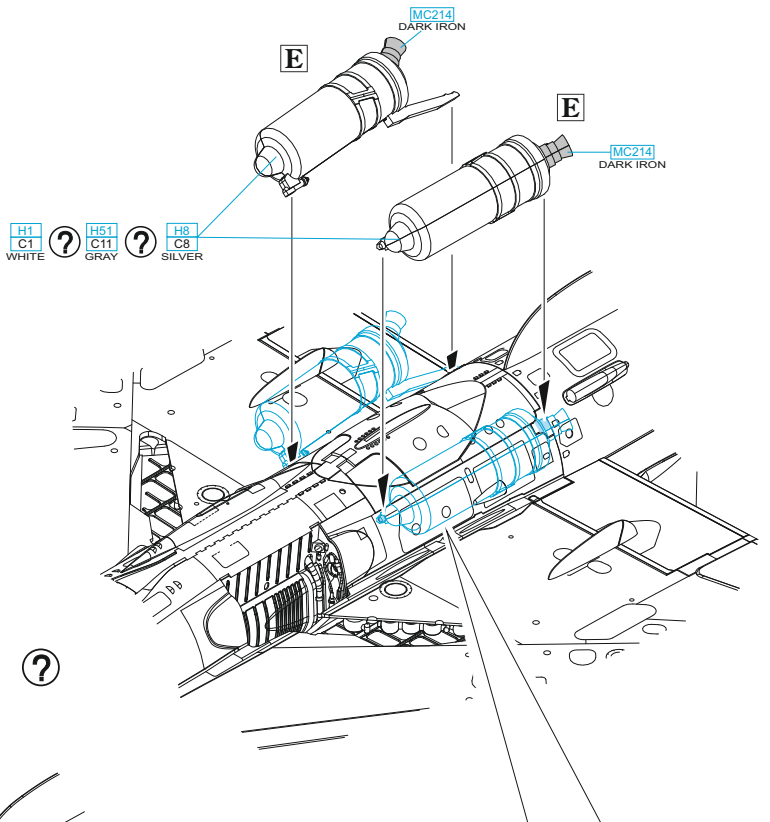
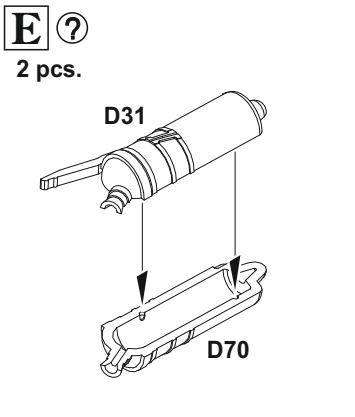




**1** = **H51 C11 GRAY** - MARKINGS **A, C, D**  
**H301 C301 GRAY** - MARKING **B**

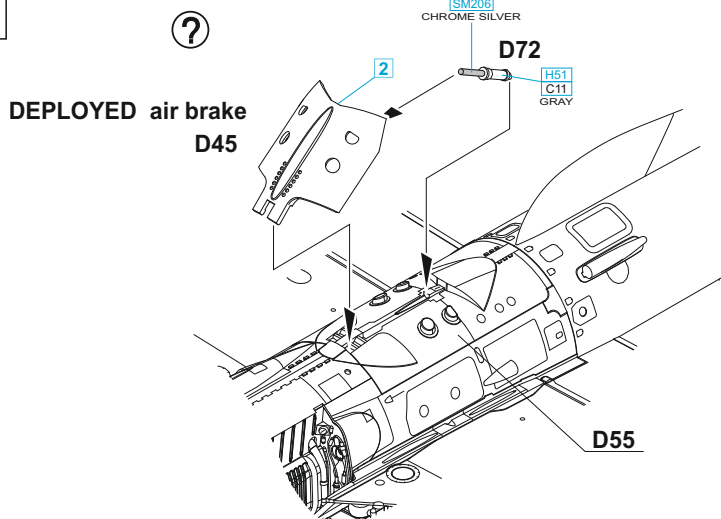
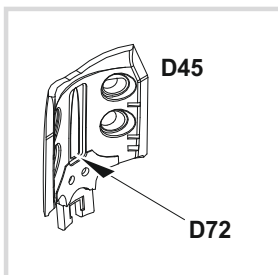




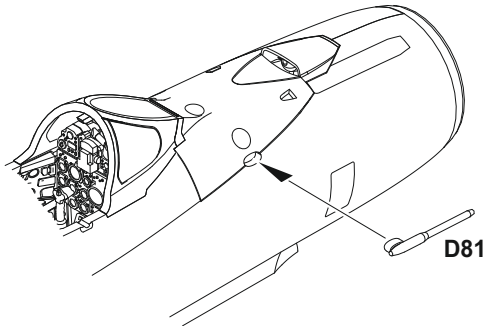
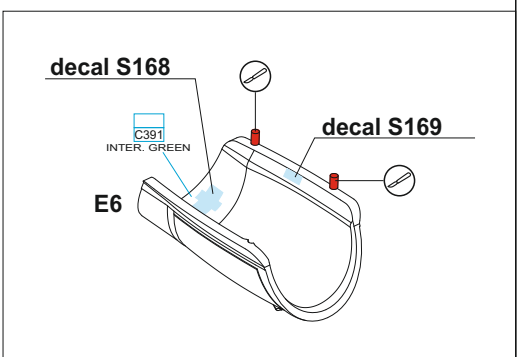
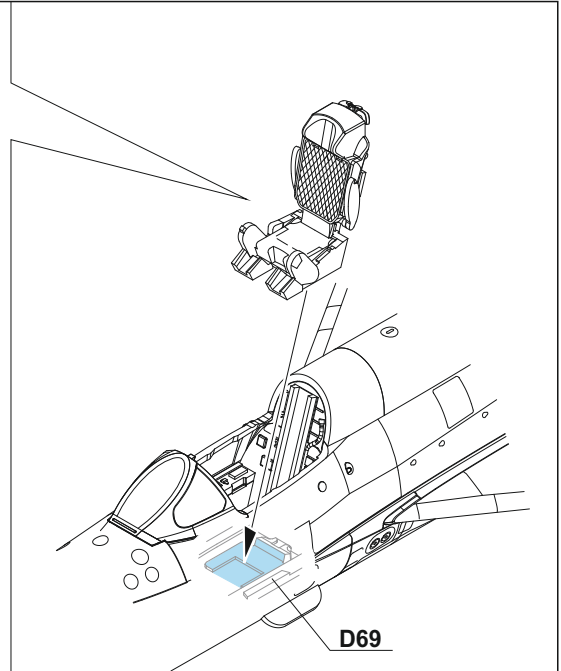
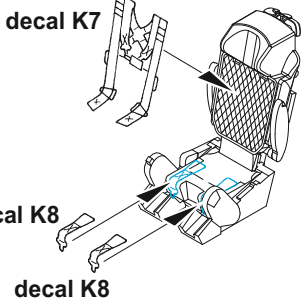
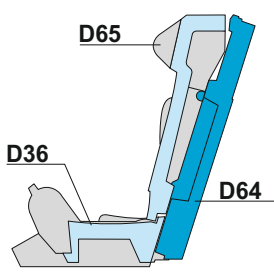
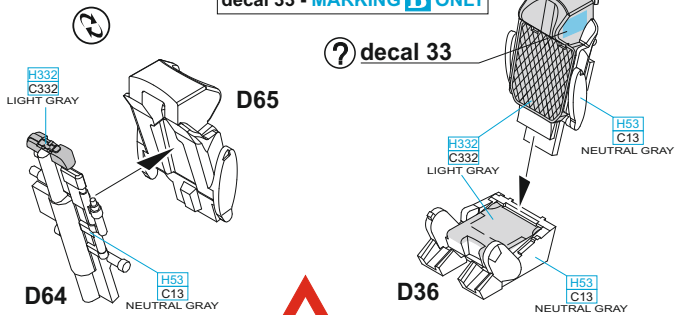


**2** = 

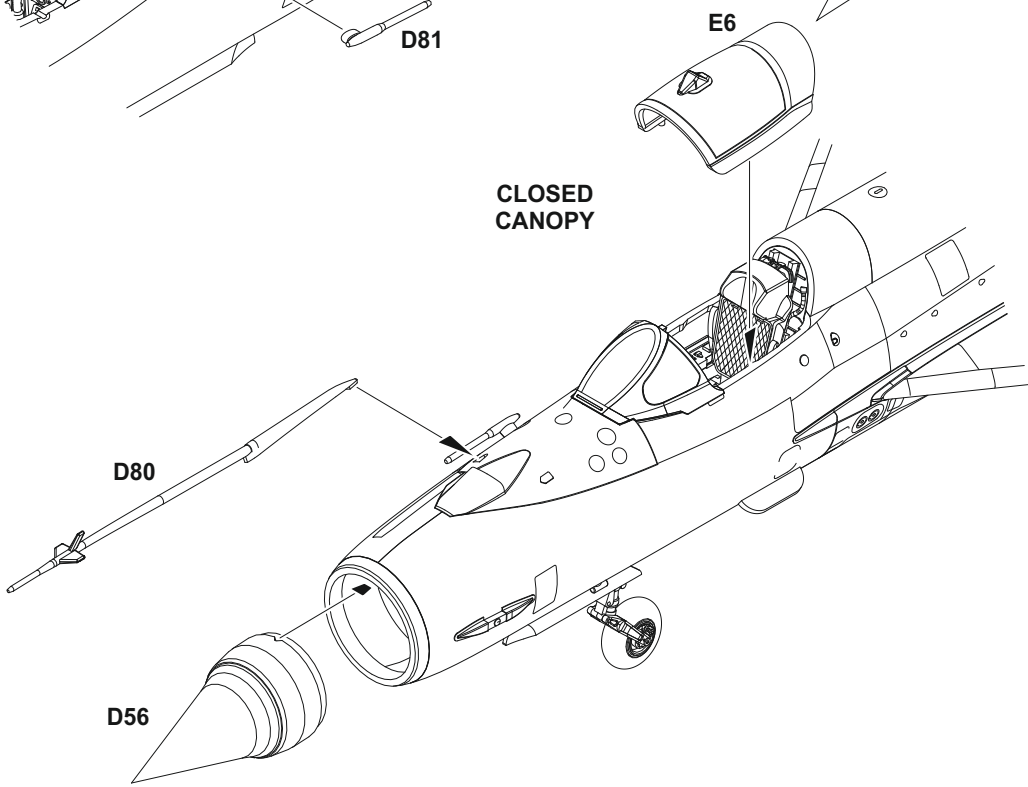
H4 C4 YELLOW	- MARKING <b>A</b>
H70 C80 RLM 02 GRAY	- MARKINGS <b>B, C, D</b>



decal 33 - MARKING B ONLY



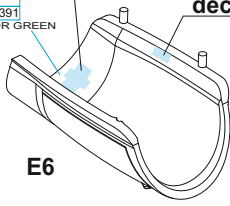
CLOSED CANOPY



decal S168

C391  
INTERIOR GREEN

decal S169



E6

OPEN  
CANOPY

D2

C391  
INTERIOR GREEN



EXTERNAL  
FUEL TANK PYLONS

C30

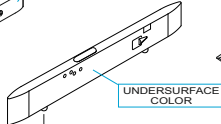
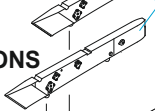
UNDERSURFACE  
COLOR

EXTERNAL  
FUEL TANK PYLONS  
C21

UNDERSURFACE  
COLOR

C40

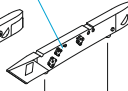
WEAPON PYLONS  
C9



WEAPON PYLONS

UNDERSURFACE  
COLOR

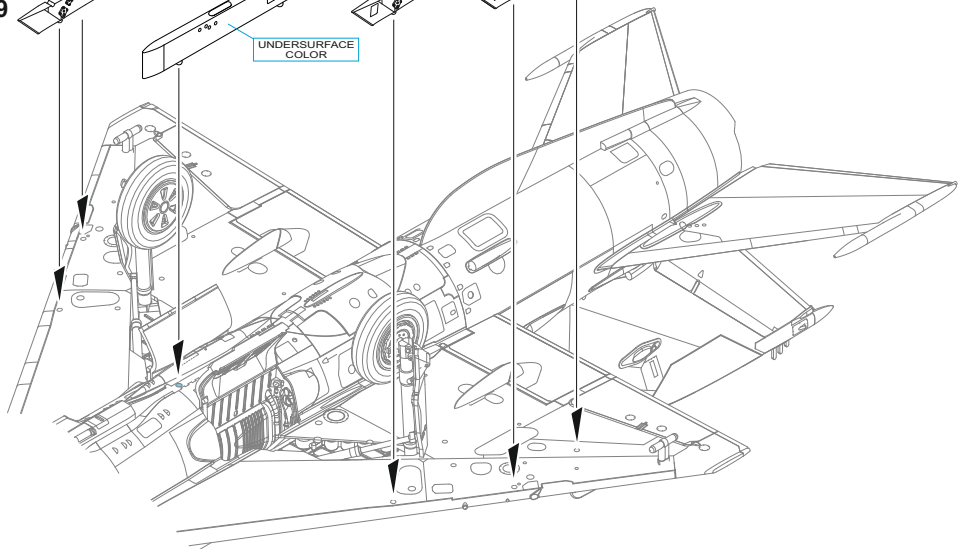
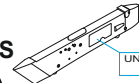
C10



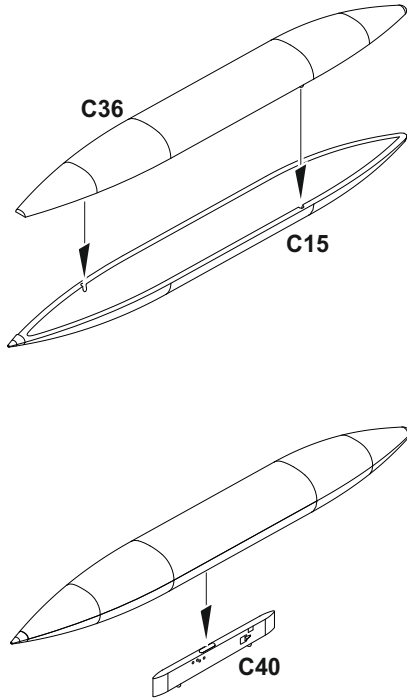
EXTERNAL  
FUEL TANK PYLONS

C11

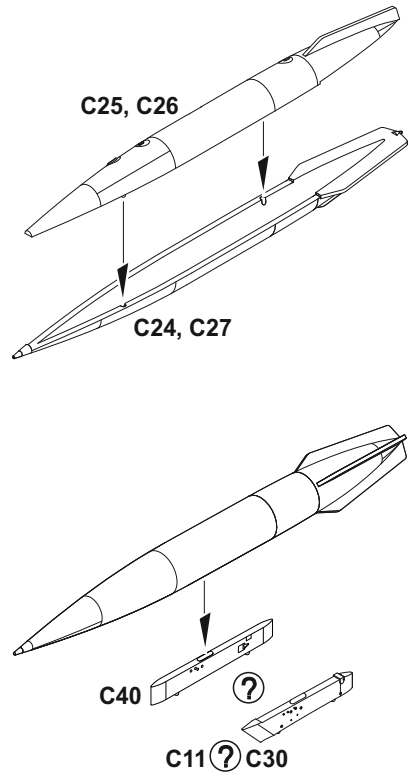
UNDERSURFACE  
COLOR



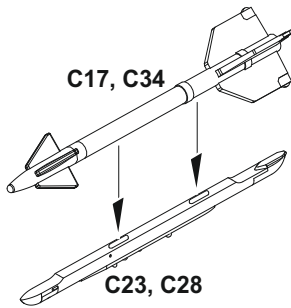
**EXTERNAL FUEL TANK 800 I**



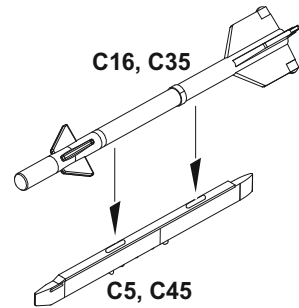
**EXTERNAL FUEL TANK 490 I**  
2 pcs.



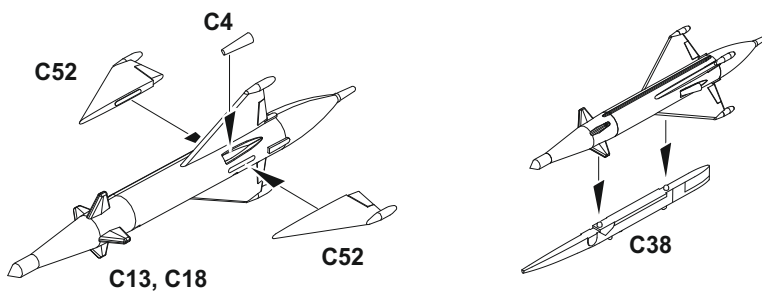
**R-13**  
2 pcs.



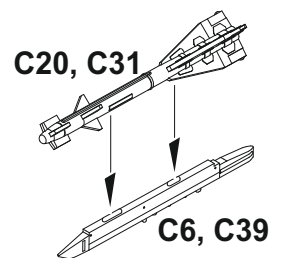
**R-3S**  
2 pcs.

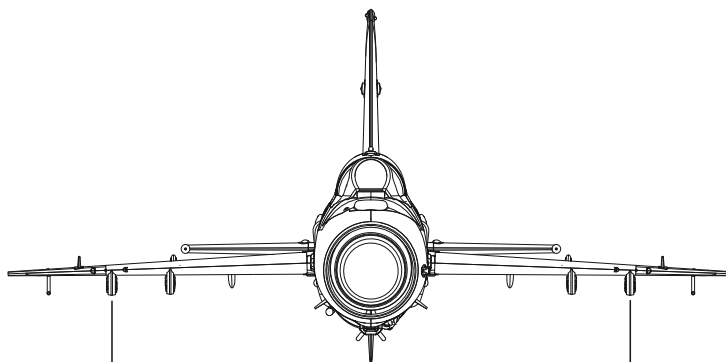


**RS-2US**  
2 pcs.



**R-60**  
2 pcs.





EXTERNAL  
FUEL  
TANK 800 l

|| C40



EXTERNAL  
FUEL  
TANK 490 l

|| C40



EXTERNAL  
FUEL  
TANK 490 l

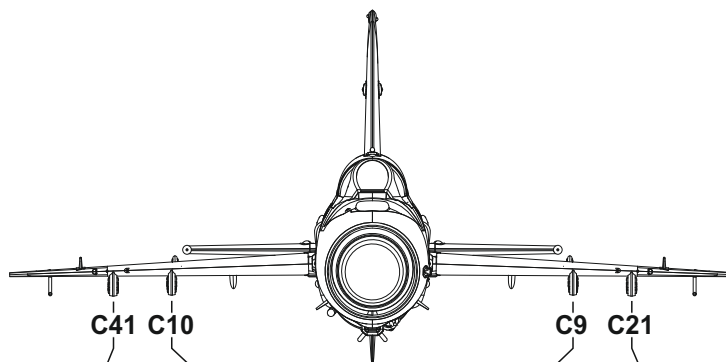
|| C11



|| C30



## TYPICAL ARMAMENT FOR QUICK REACTION ALERT DUTY



2x RS-2US

|| C5



|| C38



|| C38



|| C45



2x R-3S

2x RS-2US

|| C23



|| C38



|| C38



|| C28



2x R-13

2x R-60

|| C6



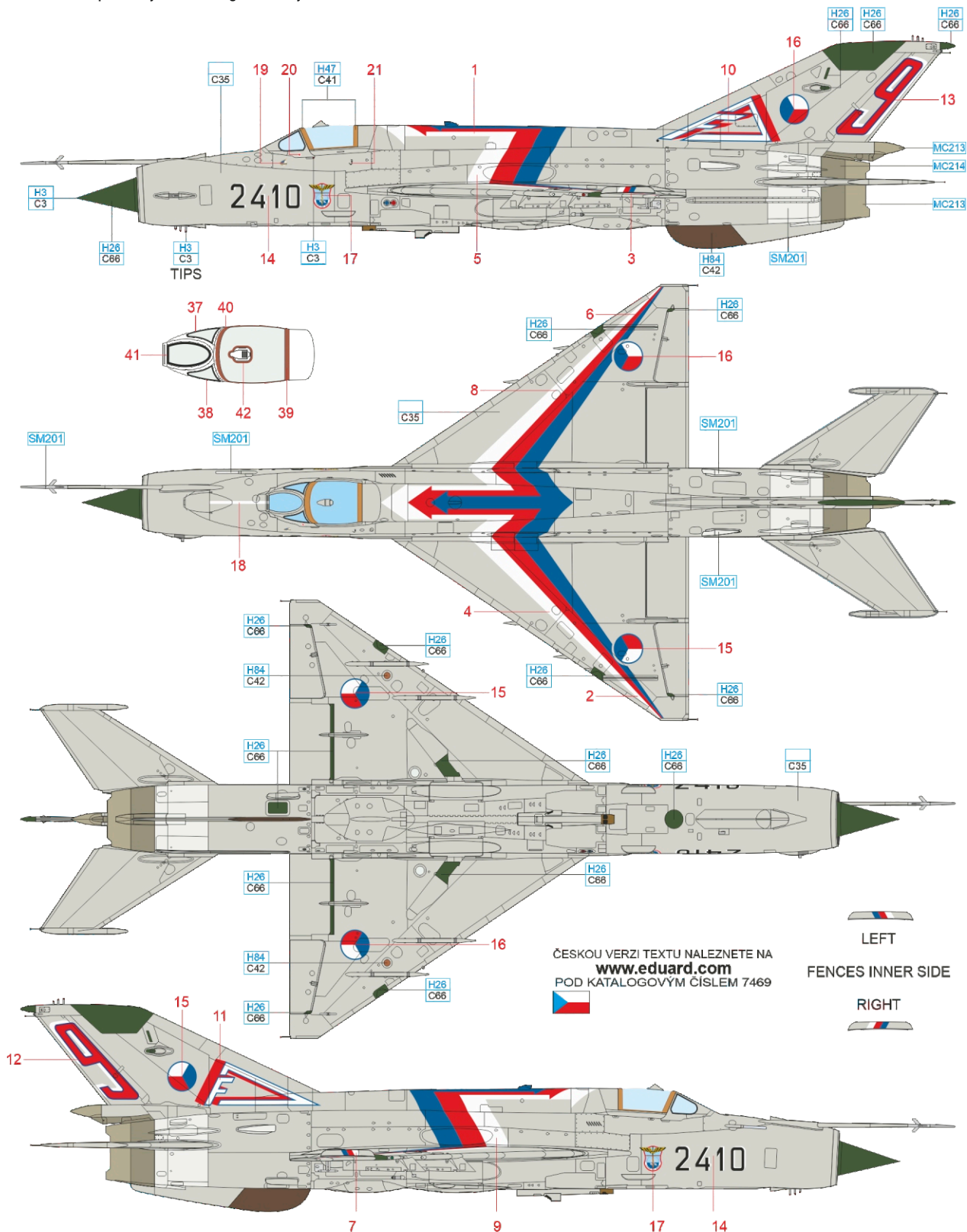
|| C39



**TO CHOOSE WEAPON AND EXTERNAL FUEL TANK  
OPTION PLEASE FOLLOW YOUR REFERENCE.**

# A 1 Squadron, 9 Fighter Bomber Air Regiment, Bechyně, Czech Republic, September 1993

MiG-21MF serial number 96002410 was manufactured on June 25, 1975. It flew with the 1 Fighter Air Regiment, 4 Fighter Air Regiment and for a longest time with the 9 Fighter Air Regiment, respectively the 9 Fighter-Bomber Air Regiment. In 1992 the striking colorful markings were applied on this airframe consisting of the white triangle shaded in red and number 9 on the rudder in reverse colors. The stripe in the colors of the Czech tricolor (blue-red-white) was spanning across the wing and widening toward the fuselage. On its ridge it was shaped into an arrow. The "Twenty-ones" painted this way were part of the display unit Delta Team. On September 10, 1993, this MiG flew its last sortie and then flew over to the Plzeň-Líně airport for permanent storage. Consequently, it was struck off the military register and handed over to the depository of the Prague-Kbely Aviation Museum.



BROWN	H47 C41	RED	H3 C3	SUPER FINE SILVER	SM201
LIGHT GRAY	C35	BRIGHT GREEN	H26 C66	DARK BROWN	H84 C42
				DARK IRON	MC214
					STEEL
					MC213

ČESKOU VERZI TEXTU NALEZNETE NA  
[www.eduard.com](http://www.eduard.com)  
 POD KATALOGOVÝM ČÍSLEM 7469

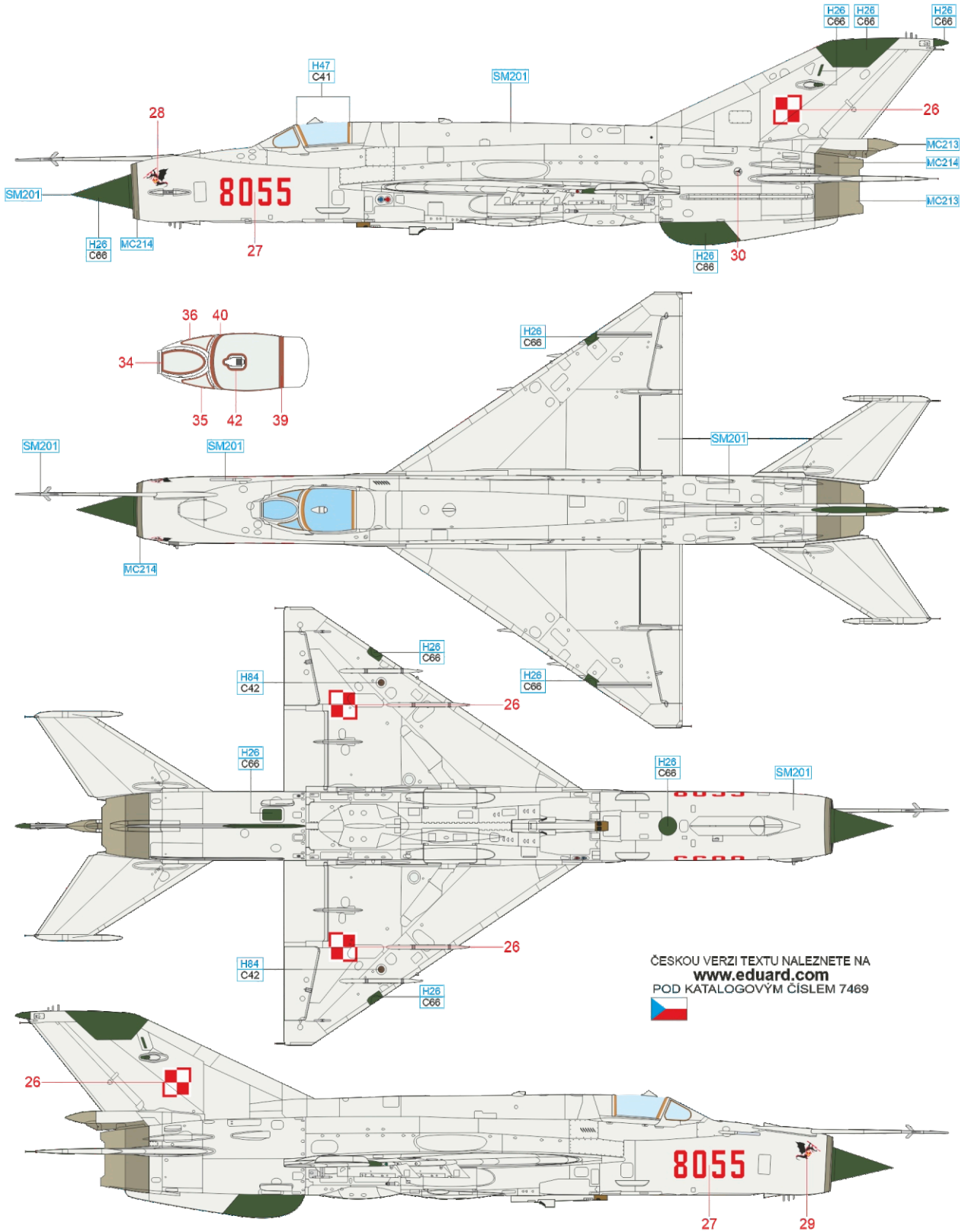


LEFT  
 FENCES INNER SIDE  
 RIGHT



# C 10 Pułk Lotnictwa Myśliwskiego, Airport Łask, Poland, 1986–1993

The coloration of MiG-21MF number 8055 reflects the customs from 1980s. On the nose it is decorated with the insignia created in 1986 by the initiative of the 10 Regiment's Headquarters. The regimental insignia adopts its symbolism from the "Cracowian" times and depicts the stylized dragon with hat Krakushka (a part of the Polish national costumes). The dragon also holds the shield with the white-red checkerboard and a yellow light bolt. The insignia was painted on both sides of the aircraft nose. Over the time several modifications appeared differing from each other by small details such as missing eyes, teeth, white mottles painted on the wings or dragon's body painted in white.



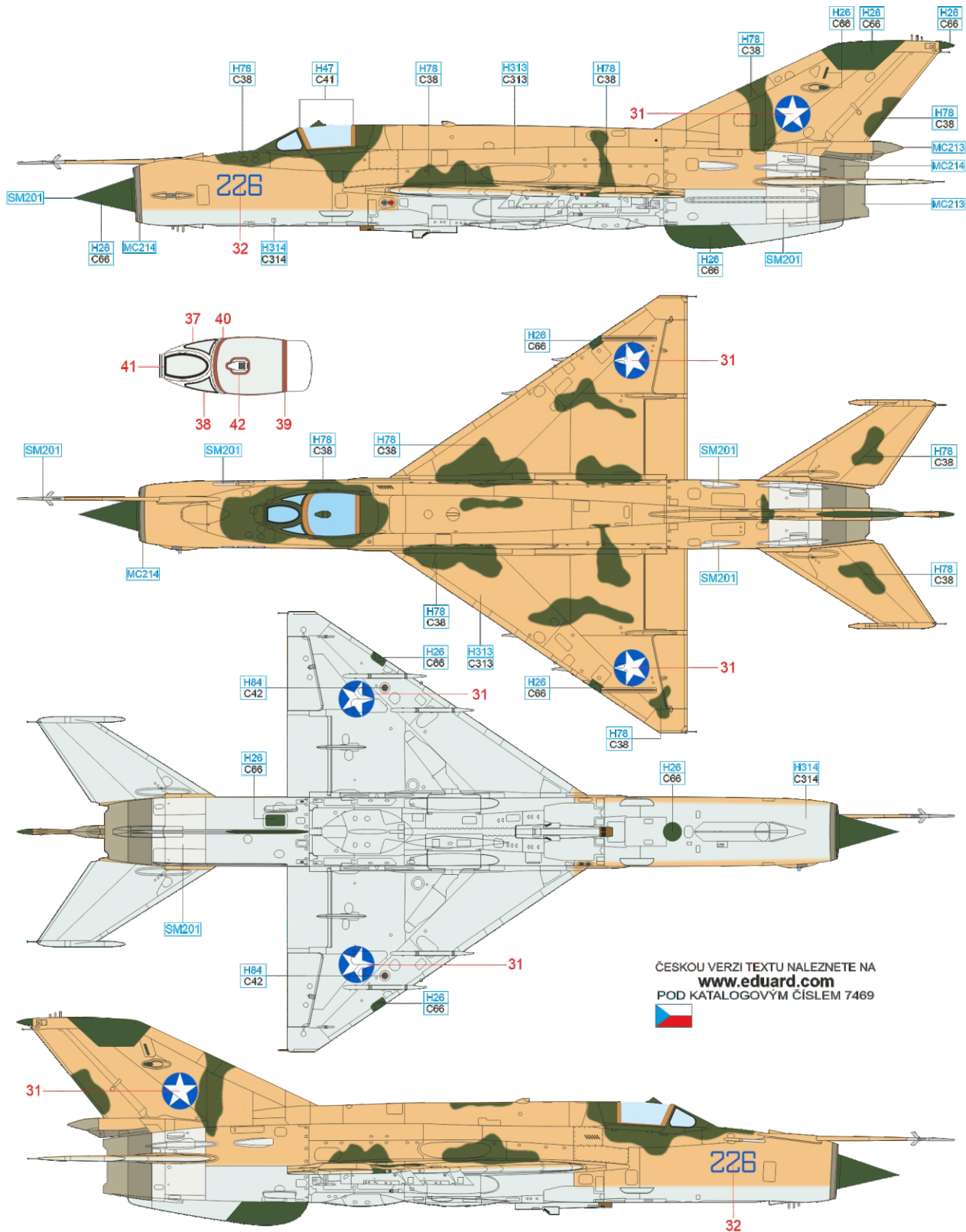
ČESKOU VERZI TEXTU NALEZNETE NA  
[www.eduard.com](http://www.eduard.com)  
 POD KATALOGOVÝM ČÍSLEM 7469



SUPER FINE SILVER	SM201	DARK BROWN	H84 C42	BROWN	H47 C41	BRIGHT GREEN	H26 C66	DARK IRON	MC214	STEEL	MC213
-------------------	-------	------------	---------	-------	---------	--------------	---------	-----------	-------	-------	-------

# D Mogadishu Airport, Somali Air Force, Somalia, 1991

Somali AF MiG-21MFs sported the standard camouflage of the Soviet aircraft delivered to Near East and North Africa – the upper surfaces painted in light sand color with green mottles and lower surfaces in light blue color. The MiG-21MF carrying bort number 226 was among a few survivors of the Ogaden war and was fairly well preserved until the beginning of 1990s. In 1992 the international forces found it abandoned at the Mogadishu airport.



ČESKOU VERZI TEXTU NALEZNETE NA  
[www.eduard.com](http://www.eduard.com)  
 POD KATALOGOVÝM ČÍSLEM 7469



OLIVE GREEN	H78 C38	YELLOW	H313 C313	LIGHT BLUE	H314 C314	SUPER FINE SILVER	SM201
DARK BROWN	H84 C42	BROWN	H47 C41	BRIGHT GREEN	H26 C66	DARK IRON	MC214
						STEEL	MC213

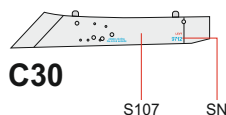
SN - SERIAL NUMBER

SMAL TO AIRFRAME

MEDIUM TO PYLONS

LARGE TO ROCKET LAUNCHERS

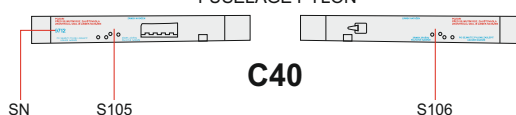
LEFT OUTSIDE UNDERWING TANK PYLON



**C30**

PODTRUPOVÝ PYLON

FUSELAGE PYLON



**C40**

RIGHT OUTSIDE UNDERWING TANK PYLON



**C11**

LEFT OUTSIDE PYLON



**C21**

RIGHT OUTSIDE PYLON



**C41**

LEFT INSIDE PYLON



**C9**

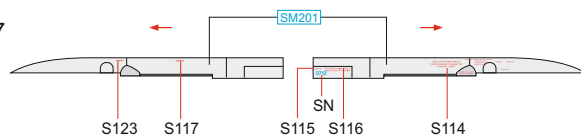
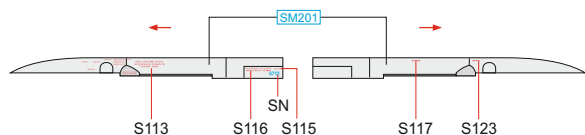
RIGHT INSIDE PYLON



**C10**

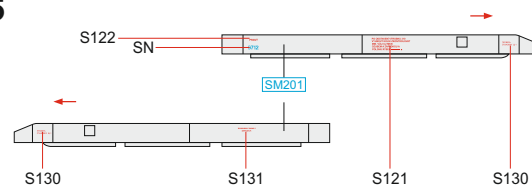
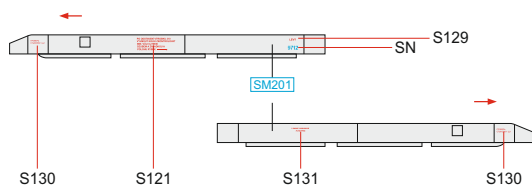
**C38**

APU-7



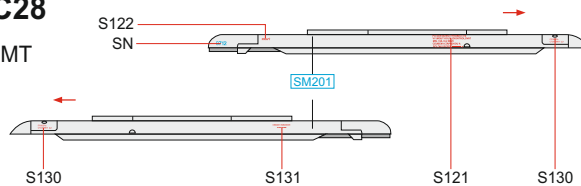
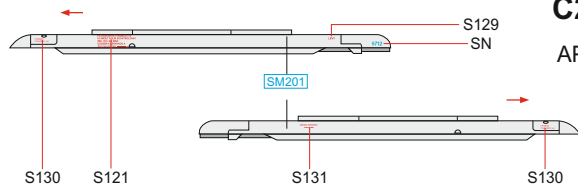
**C5, C45**

APU-13



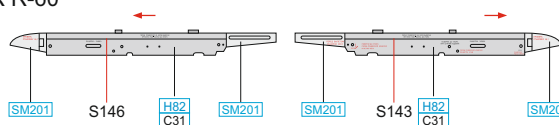
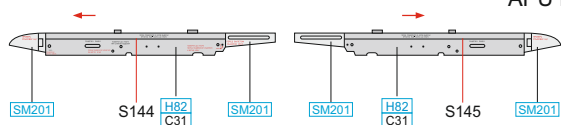
**C23, C28**

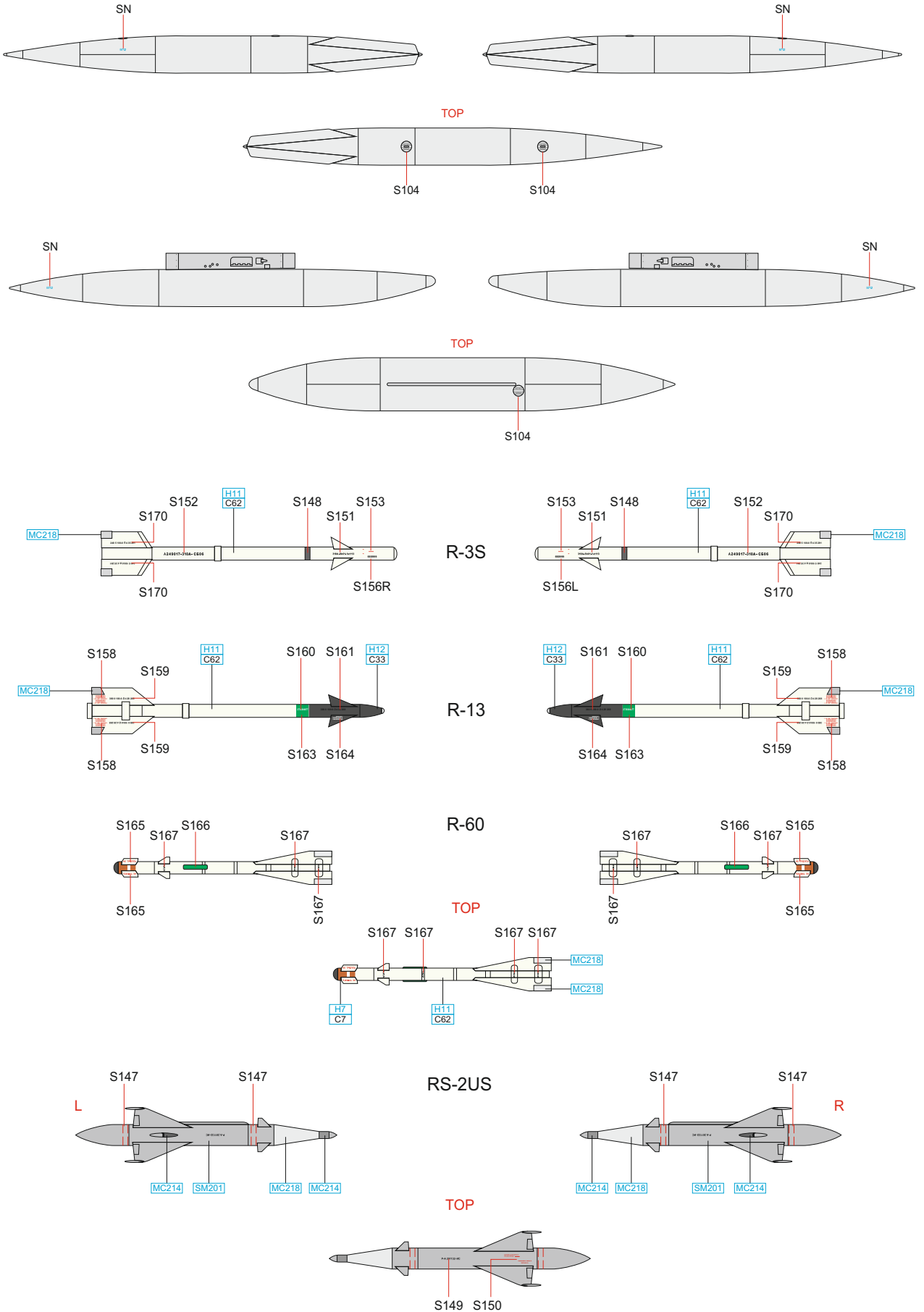
APU-13MT



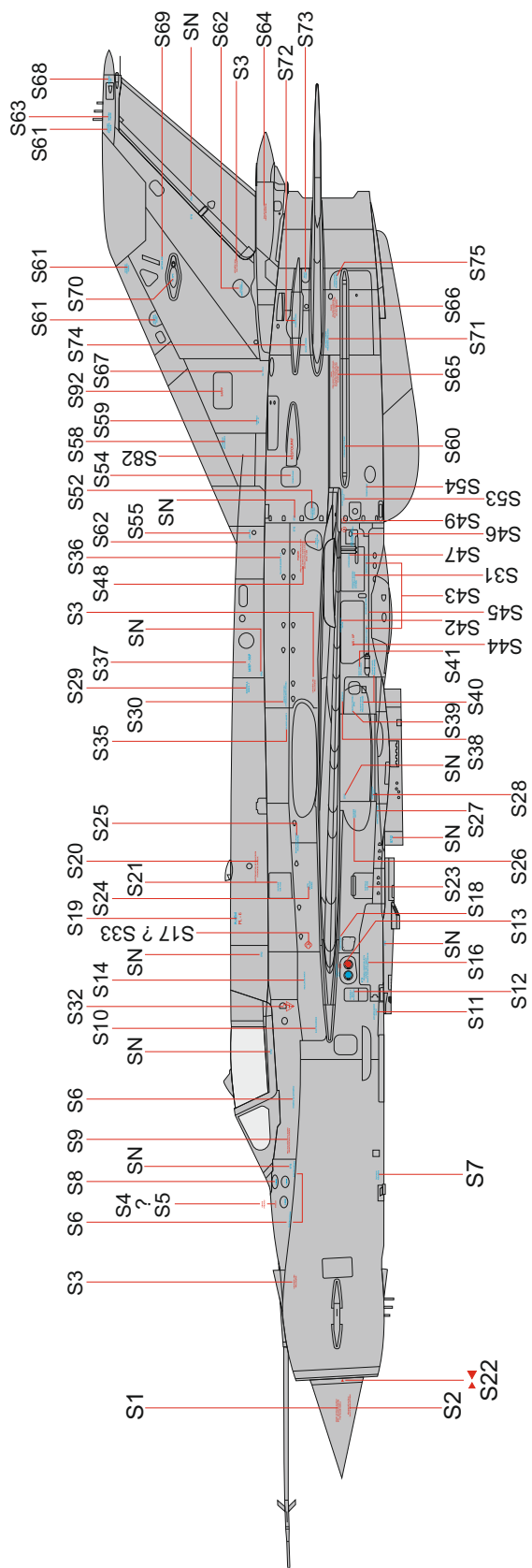
**C6, C39**

APU FOR R-60

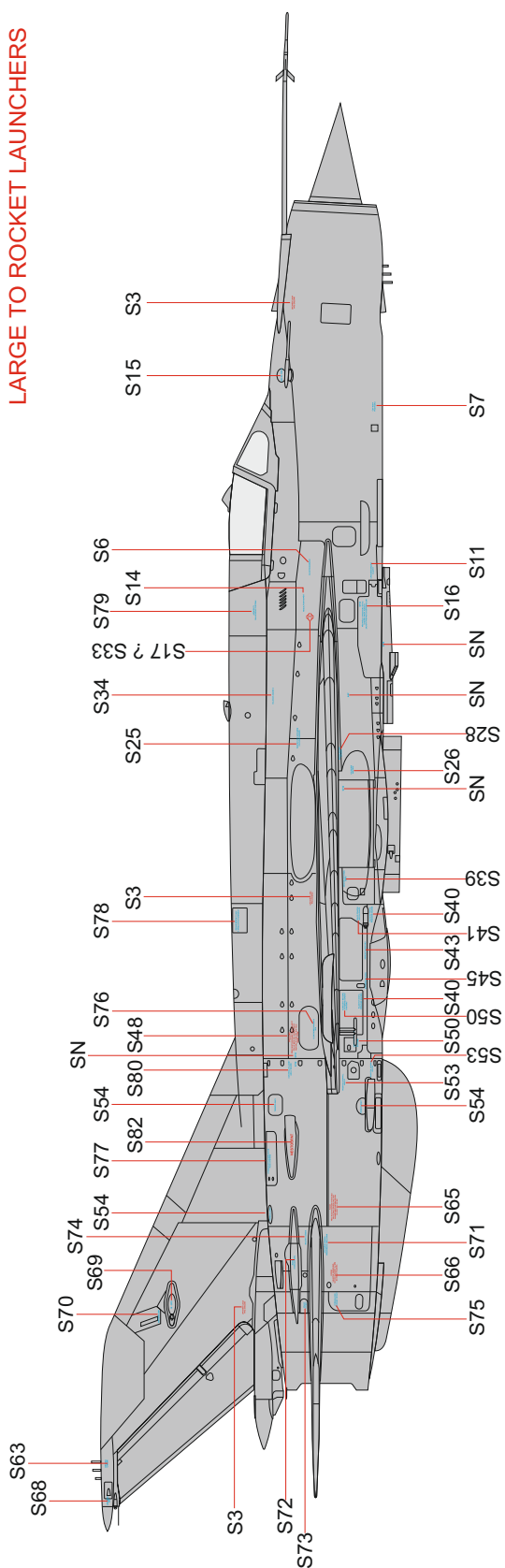






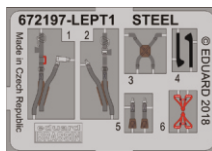


**SN - SERIAL NUMBER**  
**SMAL TO AIRFRAME**  
**MEDIUM TO PYLONS**  
**LARGE TO ROCKET LAUNCHERS**



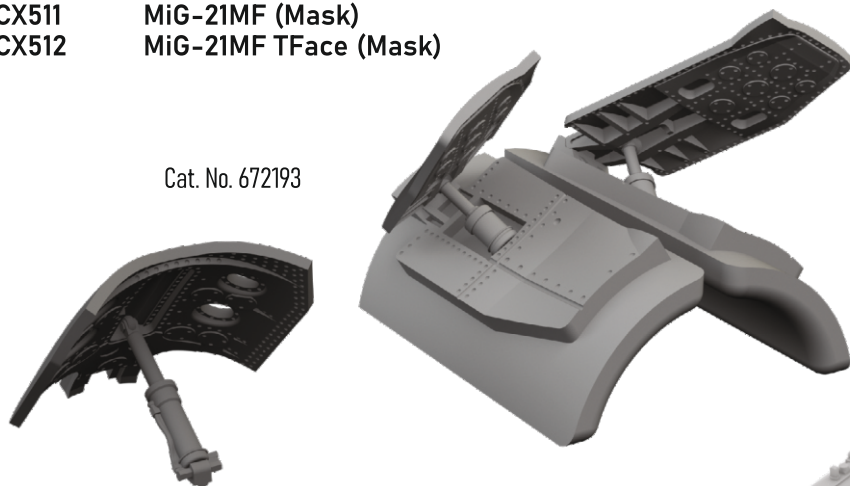
# Eduard goodies for MiG-21MF Interceptor 1/72

- 72689 MiG-21MF (PE-Set)
- SS801 MiG-21MF interceptor WEEKEND (PE-Set)
- 672181 MiG-21MF exhaust nozzle (Brassin)
- 672182 MiG-21MF wheels (Brassin)
- 672185 R-3S missiles for MiG-21 (Brassin)
- 672186 R-3S missiles w/ pylons for MiG-21 (Brassin)
- 672189 UB-16 rocket launchers for MiG-21 (Brassin)
- 672190 UB-16 rocket launchers w/ pylons for MiG-21 (Brassin)
- 672191 RS-2US missiles for MiG-21 (Brassin)
- 672192 RS-2US missiles w/ pylons for MiG-21 (Brassin)
- 672193 MiG-21MF airbrakes (Brassin)
- 672195 SPS-141 ECM pod for MiG-21 (Brassin)
- 672197 MiG-21MF ejection seat (Brassin)
- SIN67217 MiG-21MF armament (Brassin)
- 3DL72002 MiG-21MF SPACE (3D Decal Set)
- D72015 MiG-21MF stencils (Decal Set)
- CX511 MiG-21MF (Mask)
- CX512 MiG-21MF TFace (Mask)

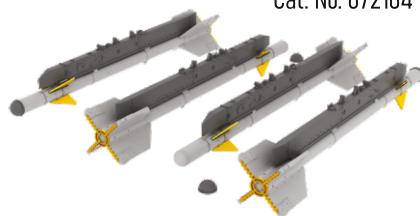


Cat. No. 672197

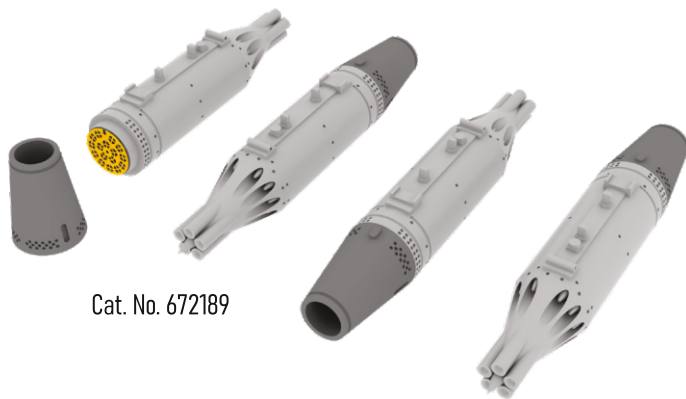
Cat. No. 672193



Cat. No. 672184



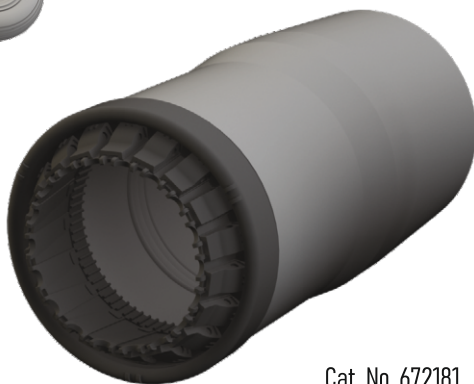
Cat. No. 672189



Cat. No. 672182



Cat. No. 672192



Cat. No. 672181

