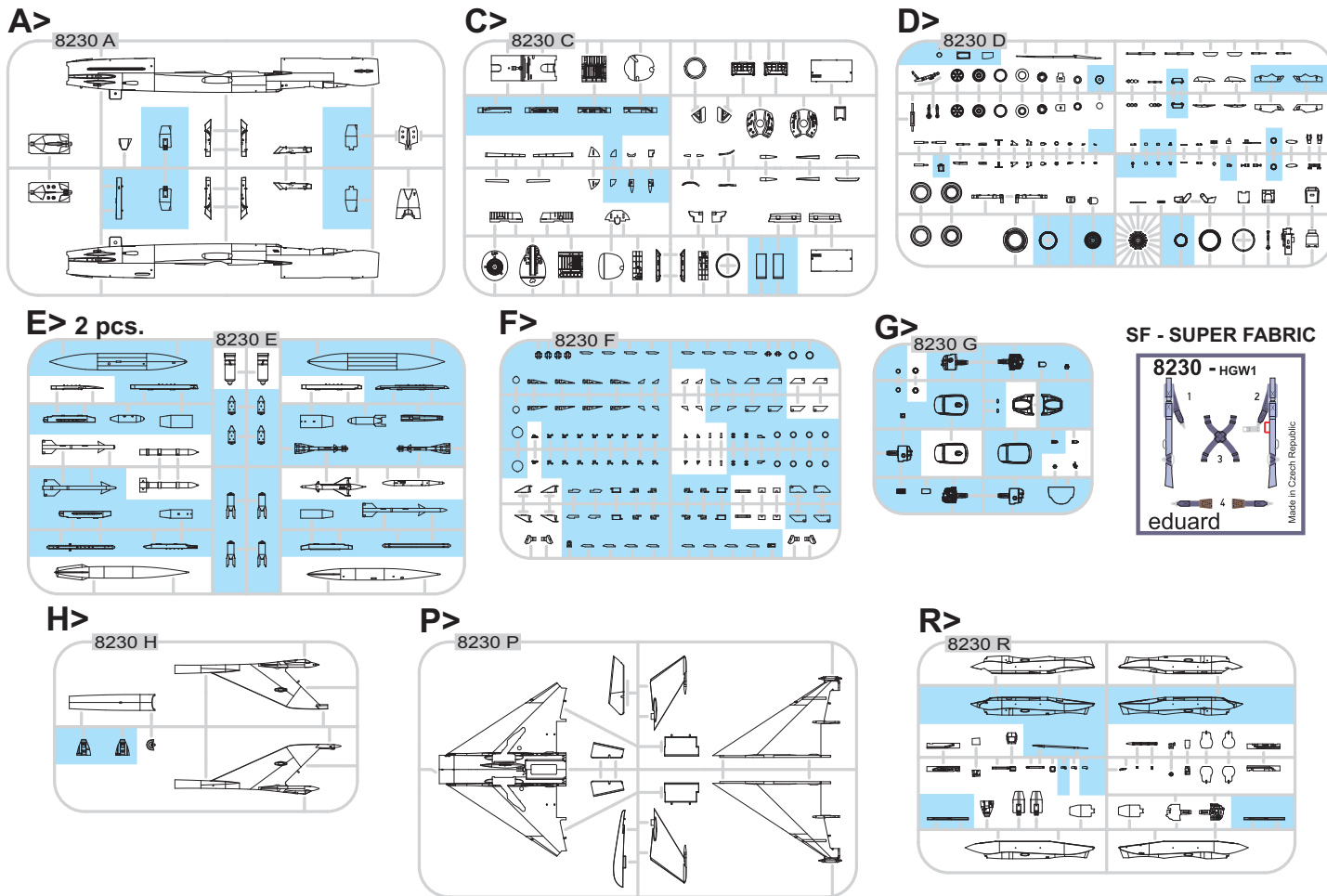


84123
1:48

MiG-21R

eduard
WEEKEND
EDITION

PLASTIC PARTS



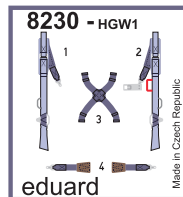
Mr.COLOR	
C1	WHITE
C3	RED
C4	YELLOW
C5	BLUE
C11	LIGHT GRAY
C13	NEUTRAL GRAY
C18	BLACK GREEN
C27	INTERIOR GREEN

Mr.COLOR	
C33	FLAT BLACK
C34	SKY BLUE
C44	TAN
C47	CLEAR RED
C60	GRAY
C62	FLAT WHITE
C66	BRIGHT GREEN
C80	COBALT BLUE

Mr.COLOR	
C137	TIRE BLACK
C138	CLEAR GREEN
C303	GREEN
C314	BLUE
C323	LIGHT BLUE
C324	LIGHT GRAY
C330	DARK GREEN
C332	LIGHT GRAY

Mr. METAL COLOR	
MC211	CHROME SILVER
MC213	STAINLESS STEEL
MC214	DARK IRON
MC218	ALUMINIUM
Mr. COLOR SUPER METALLIC	
SM01	SUPER FINE SILVER

SF - SUPER FABRIC



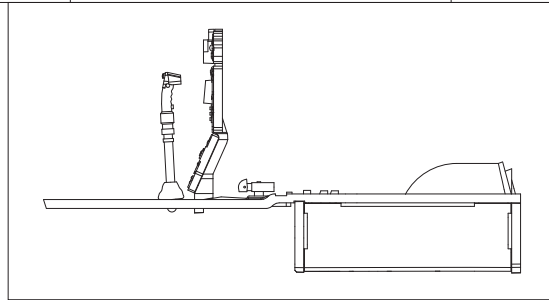
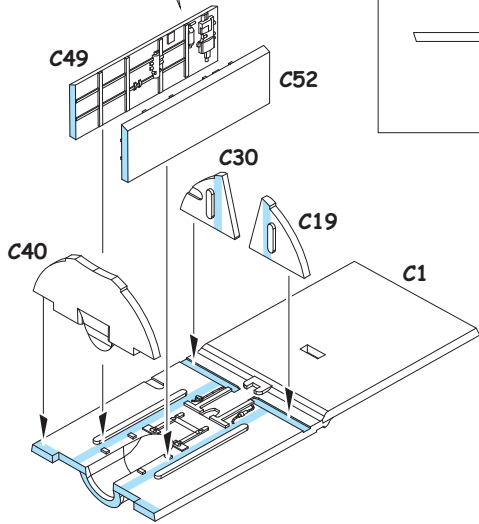
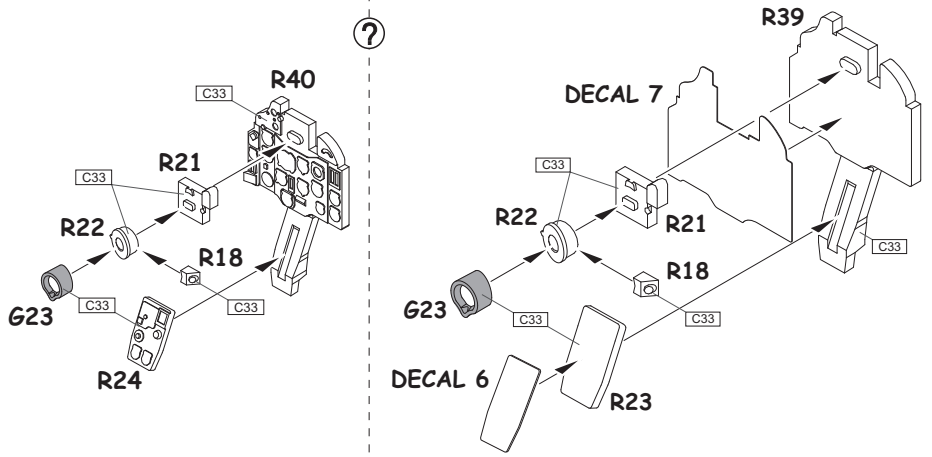
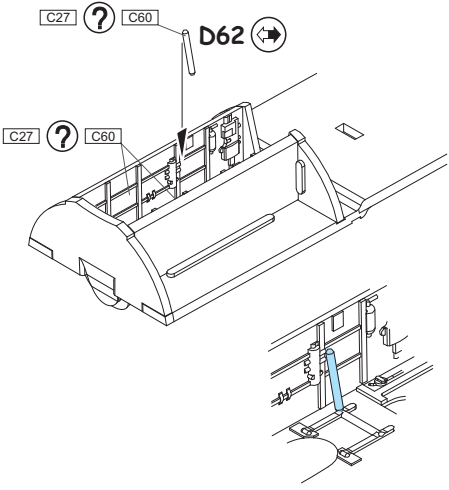
ATTENTION * UPOZORNĚNÍ * ACHTUNG * ATTENTION

- (GB)** Carefully read instruction sheet before assembling. When you use glue or paint, do not use near open flame and use in well ventilated room. Keep out of reach of small children. Children must not be allowed to suck any part, or pull vinyl bag over the head.
- (CZ)** Před započatím stavby si pečlivě prostudujte stavební návod. Při používání barev a lepidel pracujte v době větrané místnosti. Lepidla ani barvy nepoužívejte v blízkosti otevřeného ohně. Model není určen malým dětem, mohlo by dojít k požití drobných dílů.
- (D)** Von dem Zusammensetzen die Bauanleitung gut durchlesen. Kleber und Farbe nicht nahe von offenem Feuer verwenden und das Fenster von Zeit zu Zeit Belüftung öffnen. Bausatz von kleinen Kindern fernhalten. Verhüten Sie, daß Kinder irgendwelche Bauteile in den Mund nehmen oder Plastiktüten über den Kopf ziehen.
- (F)** Lire soigneusement la fiche d'instructions avant d'assembler. Ne pas utiliser de colle ou de peinture à proximité d'une flamme nue, et aérer la pièce de temps en temps. Garder hors de portée des enfants en bas âge. Ne pas laisser les enfants mettre en bouche ou sucer les pièces, ou passer un sachet vinyl sur la tête.

INSTRUCTION SIGNS * INSTR. SYMBOLY * INSTRUKTION SINNBILDEN * SYMBOLES

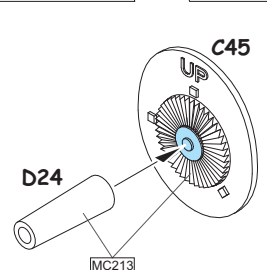
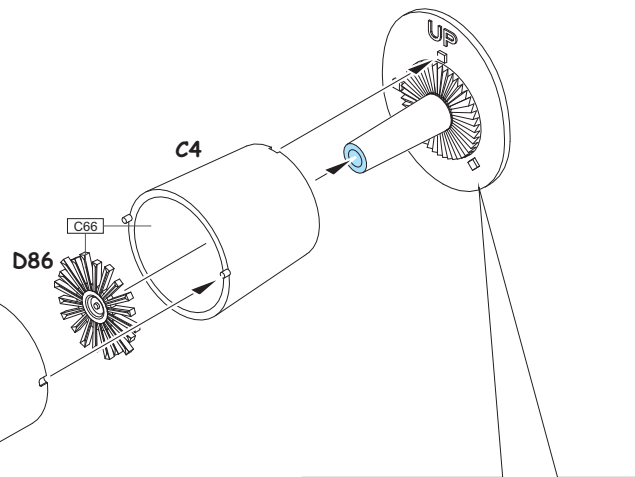
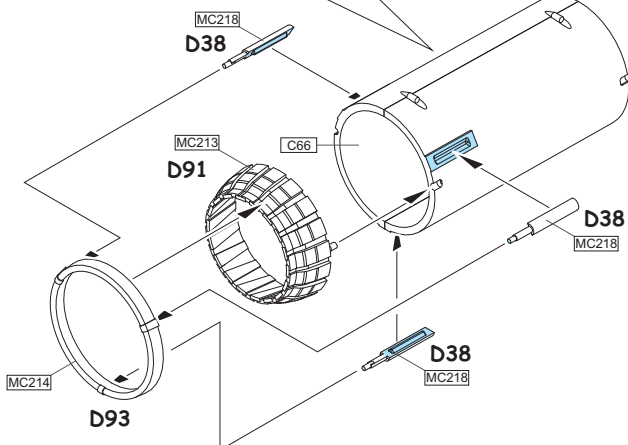
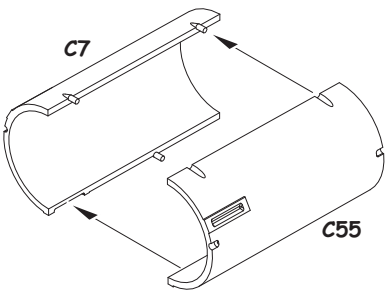
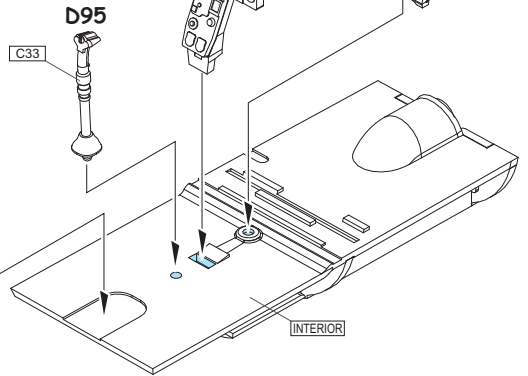
- OPTIONAL VOLBA
- BEND OHNOUT
- OPEN HOLE VYVRTAT OTVOR
- SYMMETRICAL ASSEMBLY SYMETRICKÁ MONTÁŽ
- REMOVE ODŘÍZNOUT
- REVERSE SIDE OTOČIT

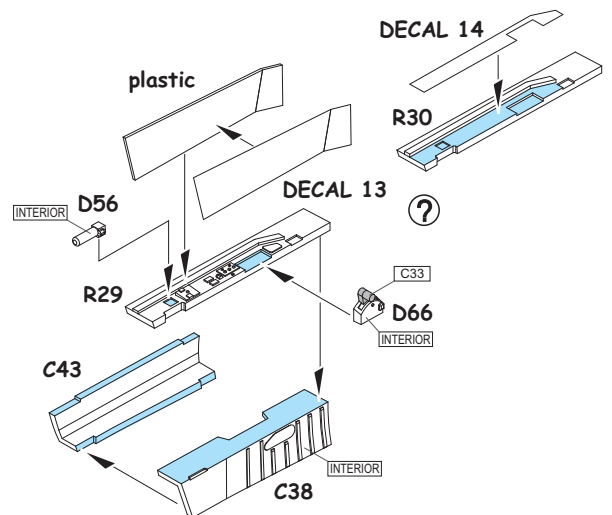
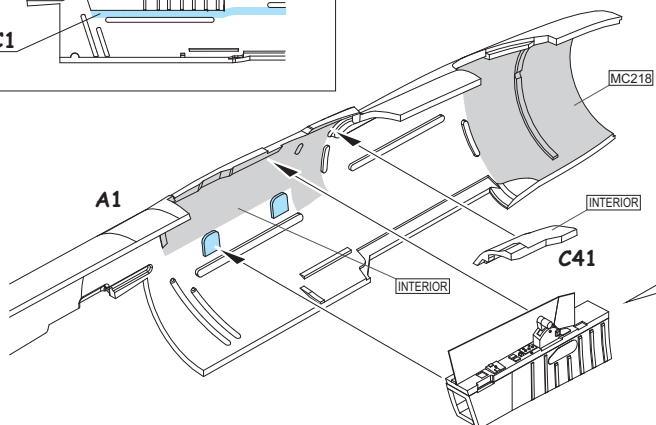
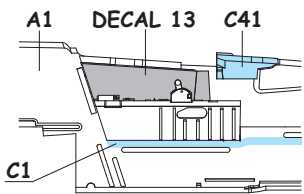
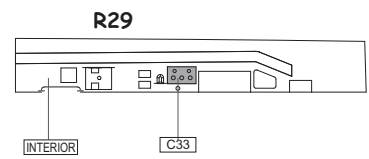
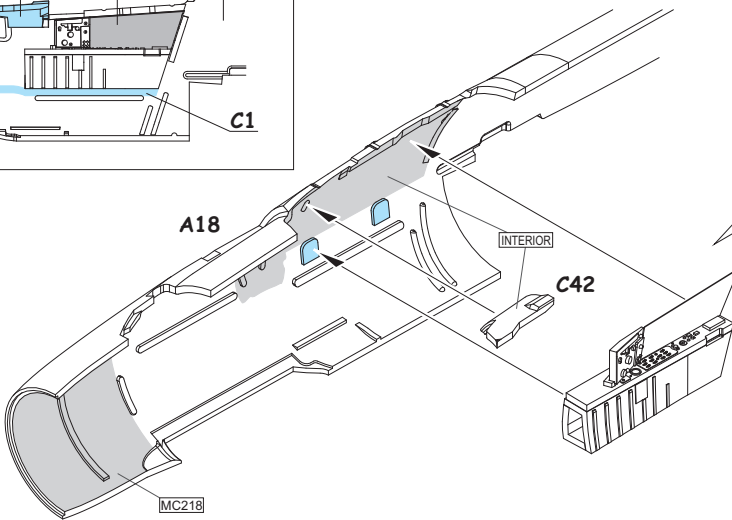
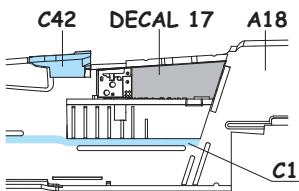
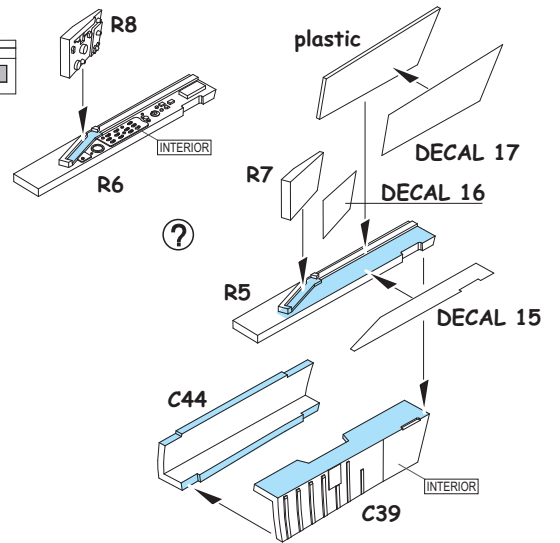
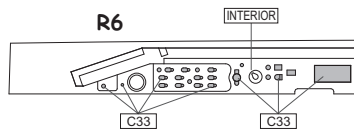
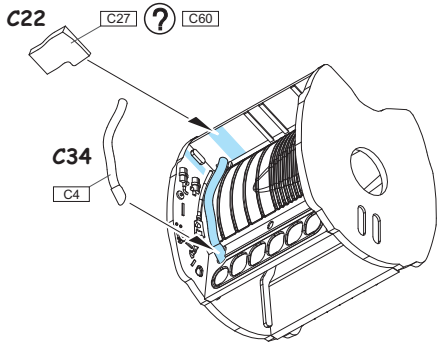
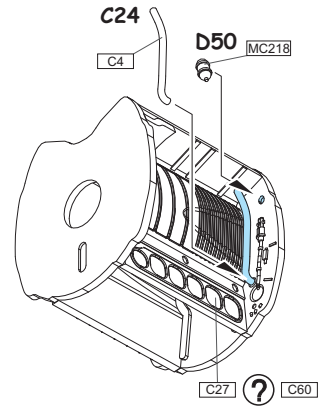
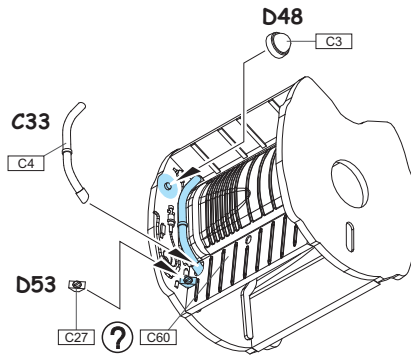
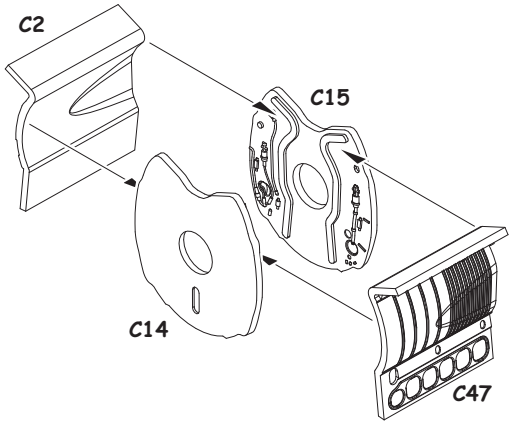
60% C34 + 20% C66 + 20% C80 = INTERIOR

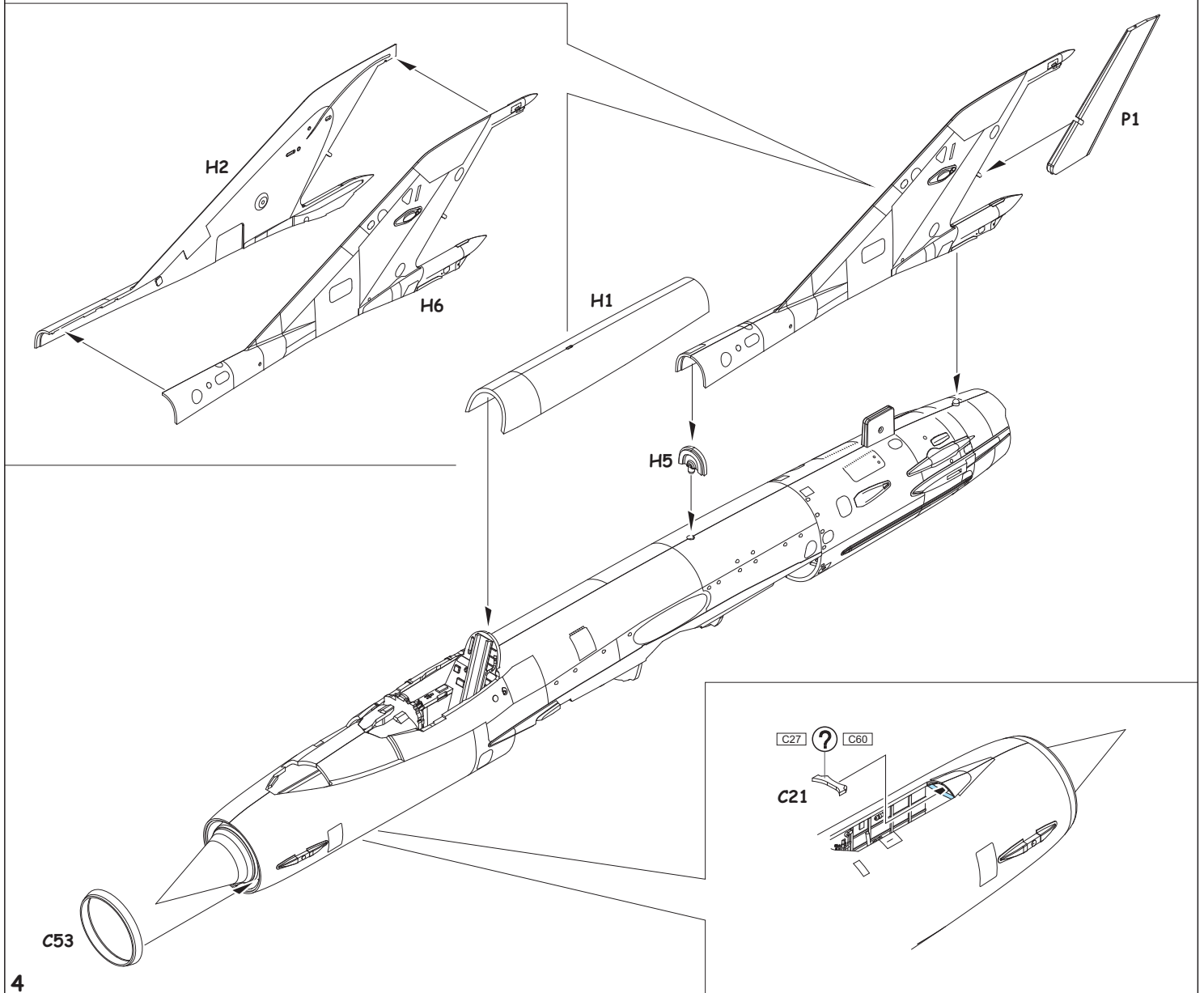
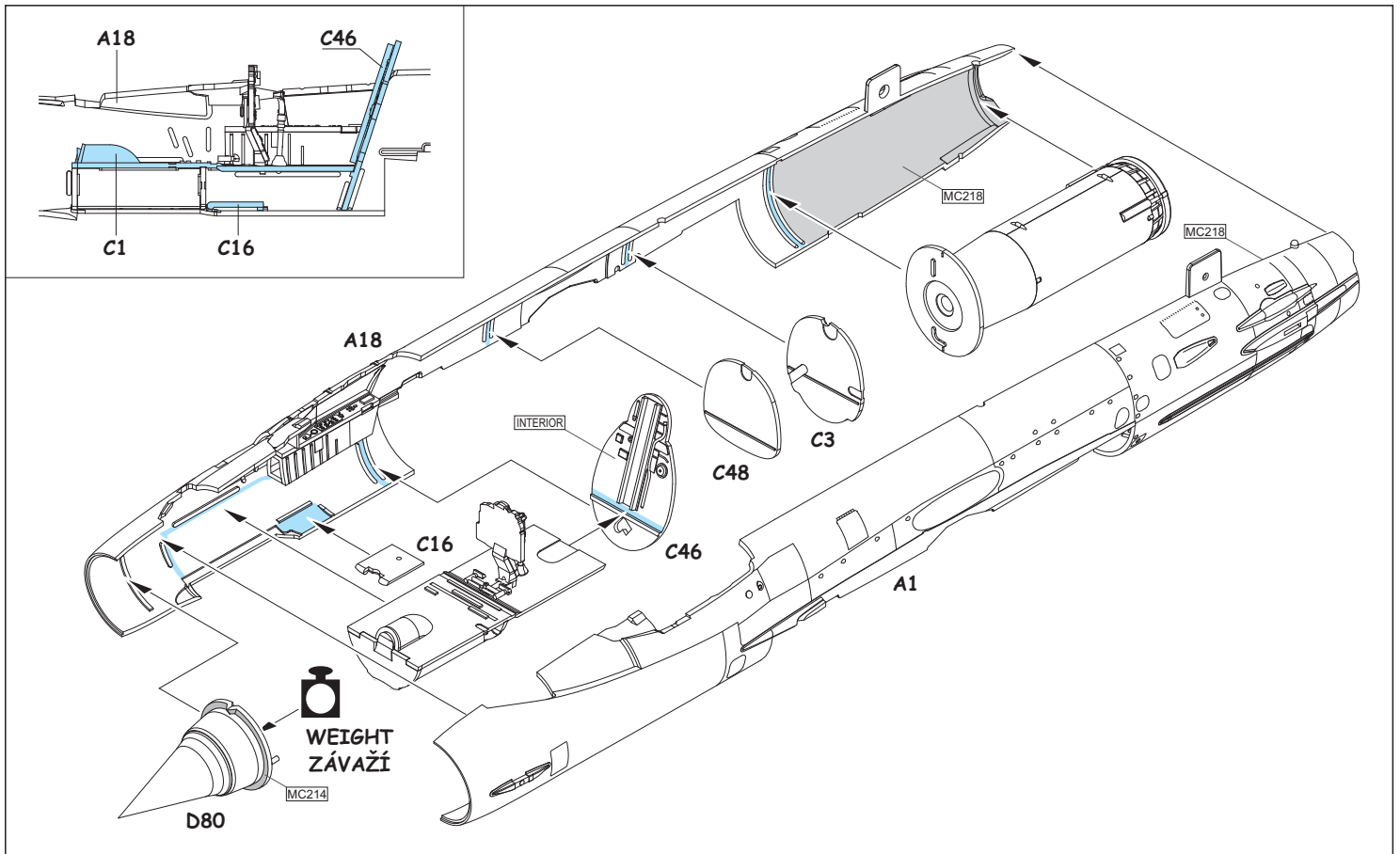


D20 - OPEN CANOPY ONLY

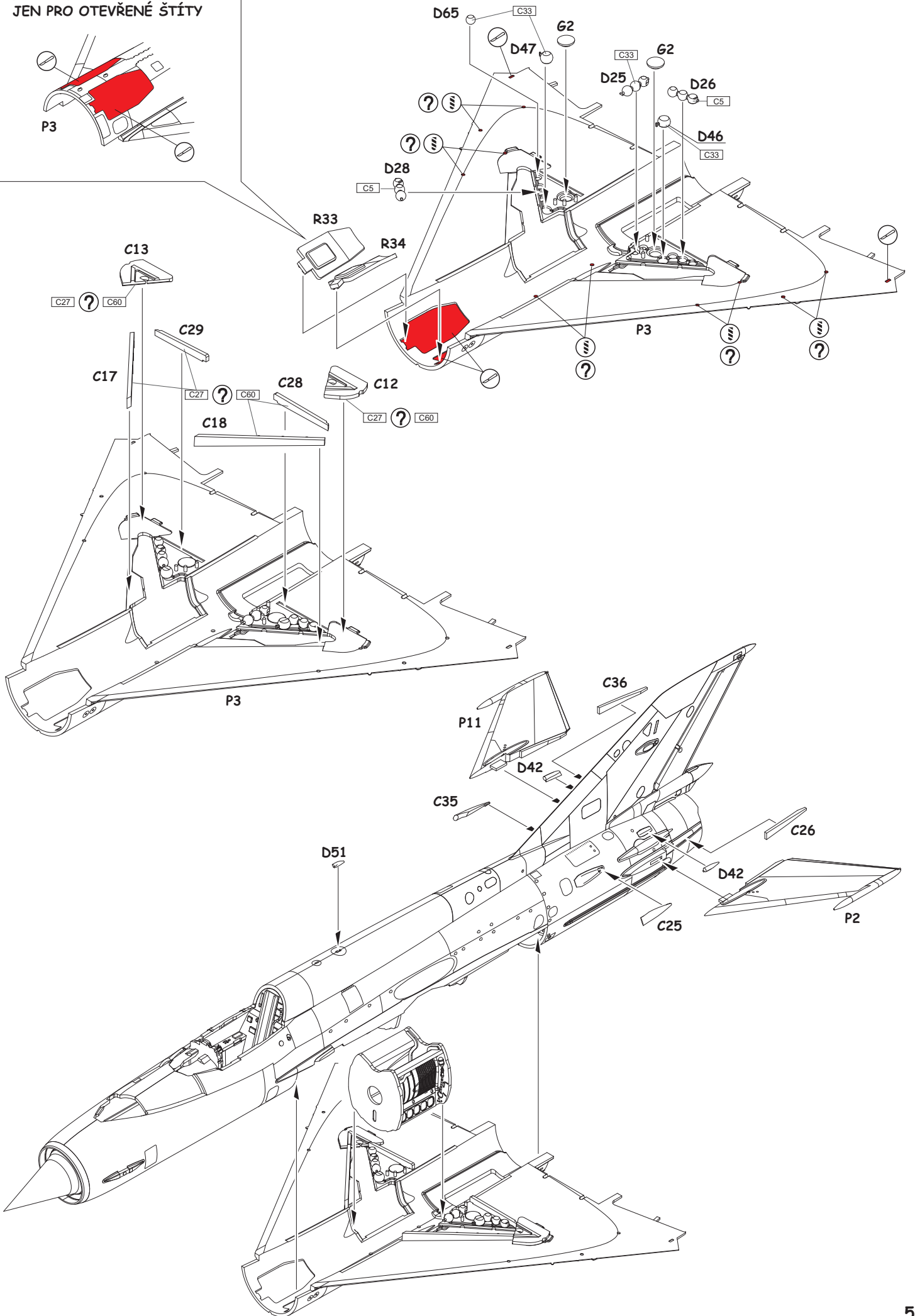
D20

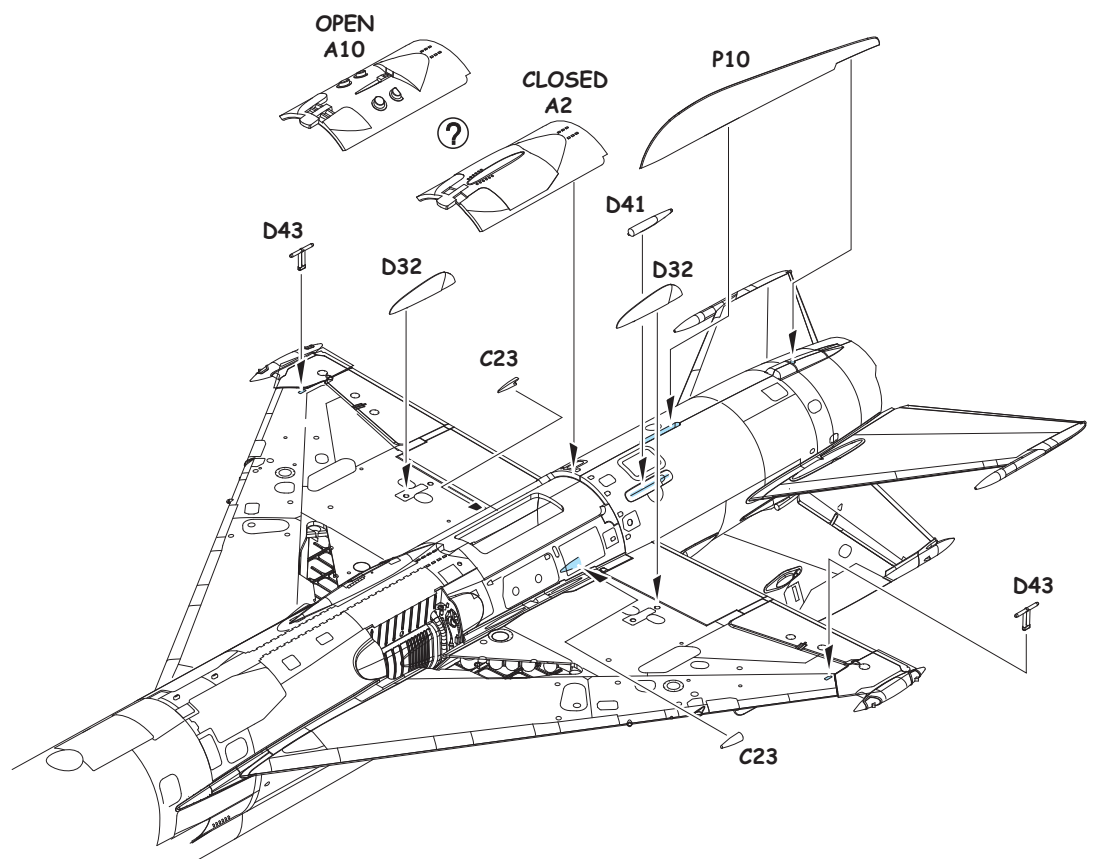
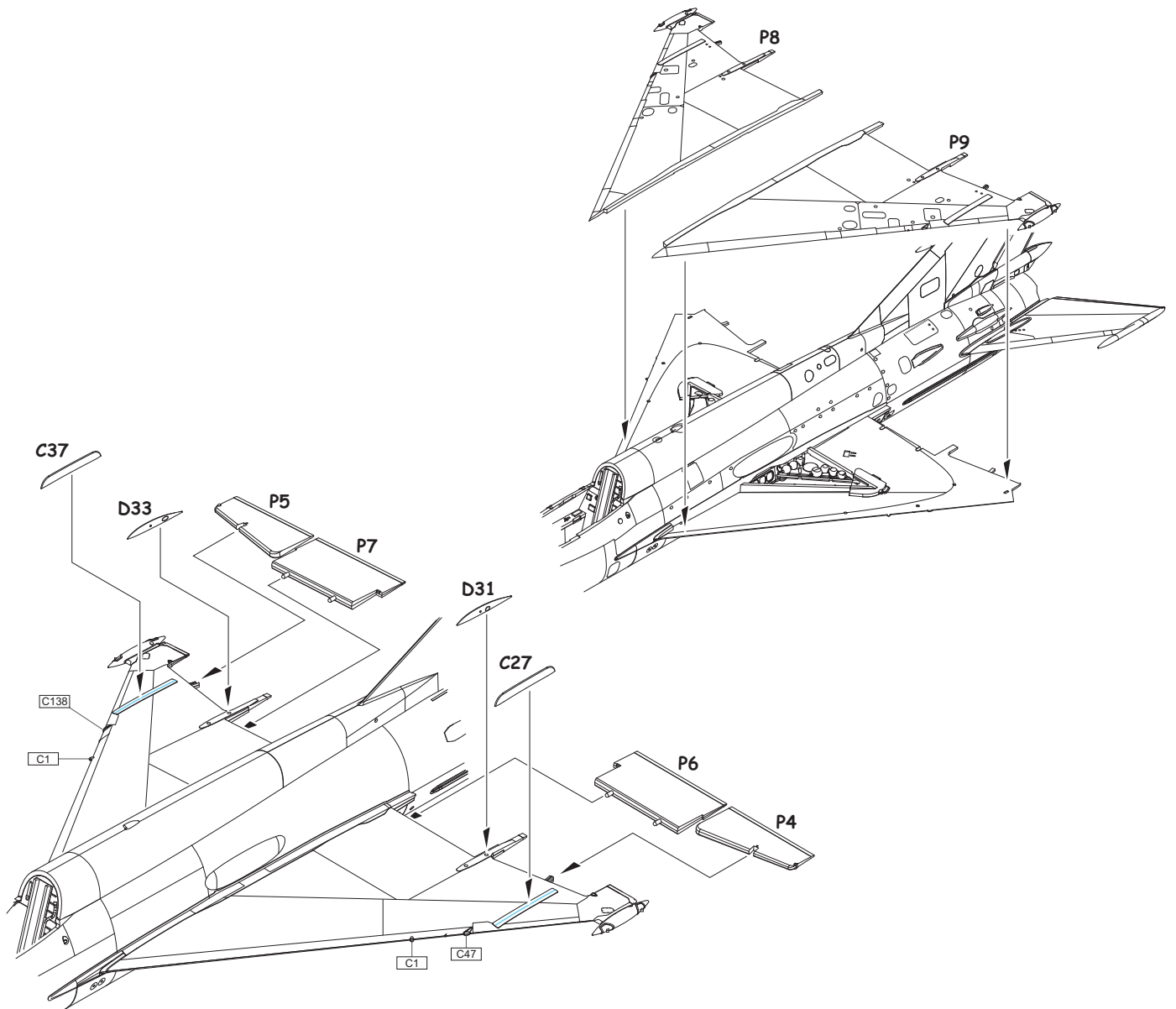


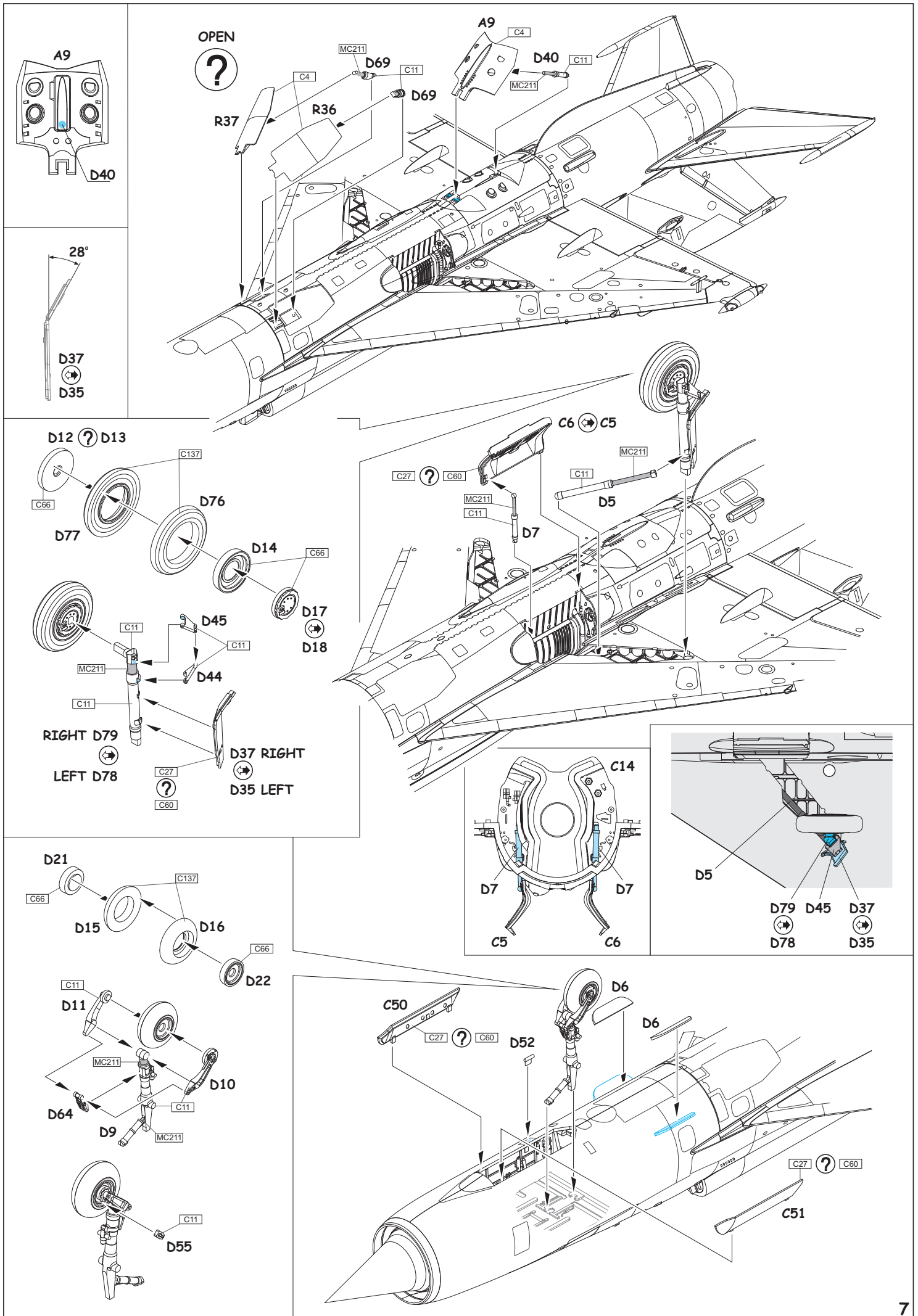


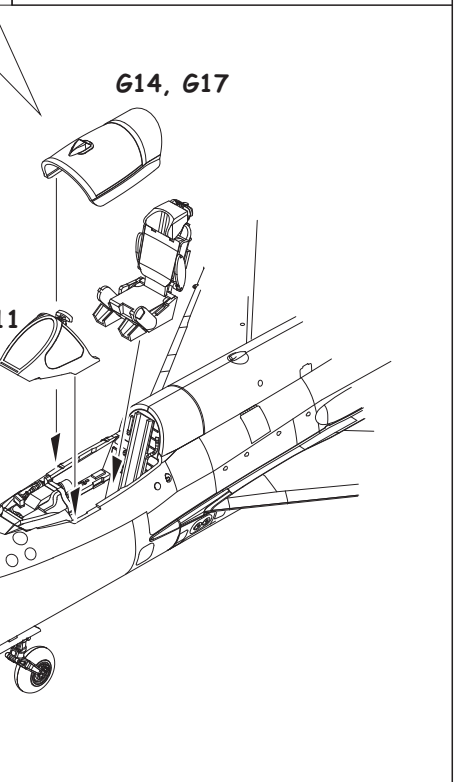
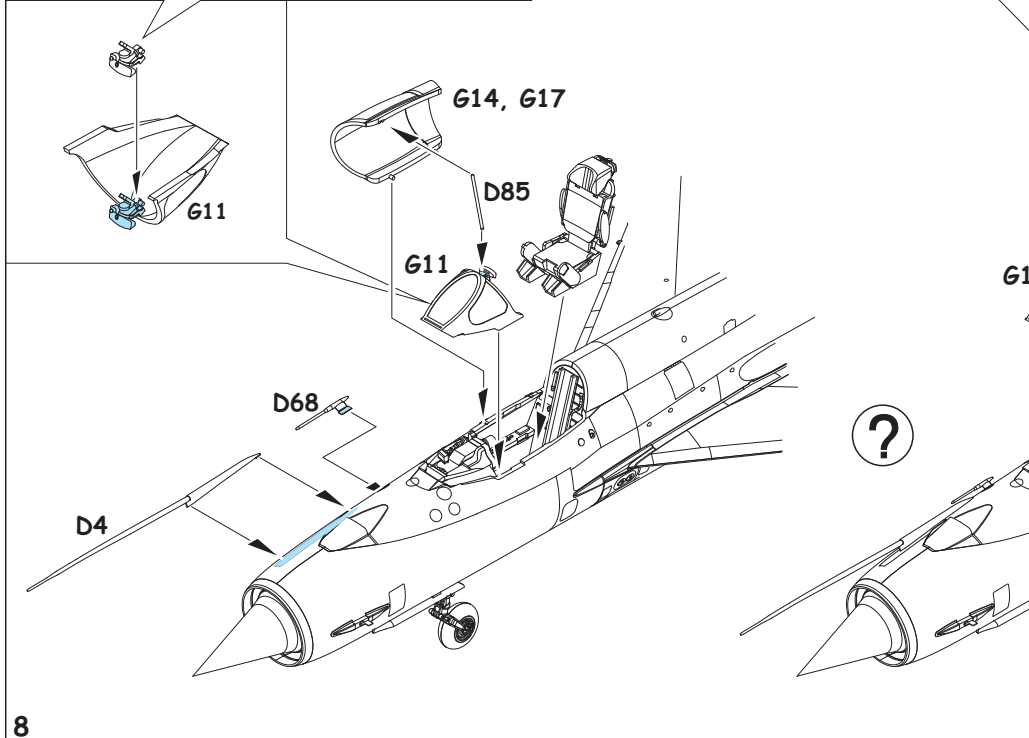
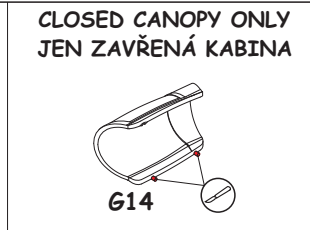
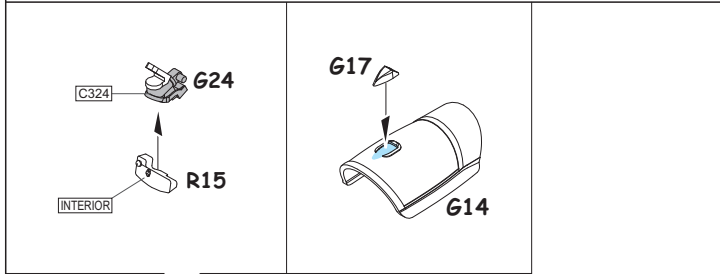
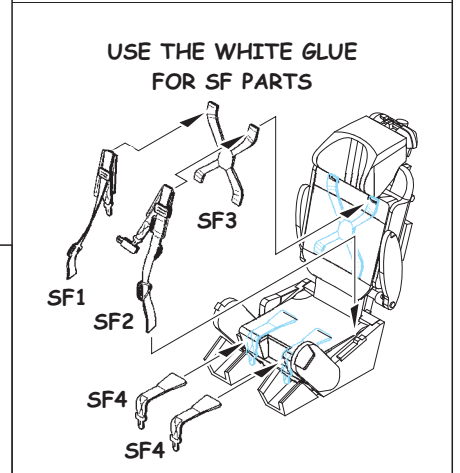
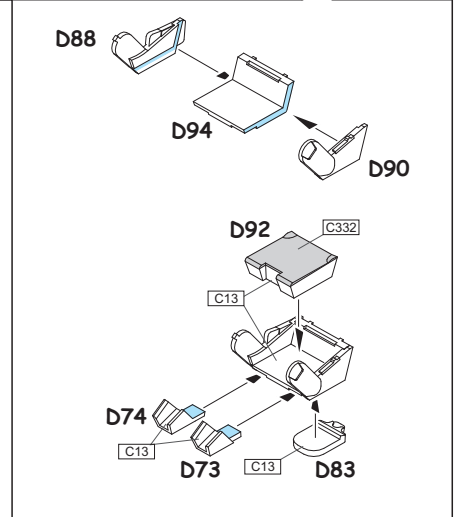
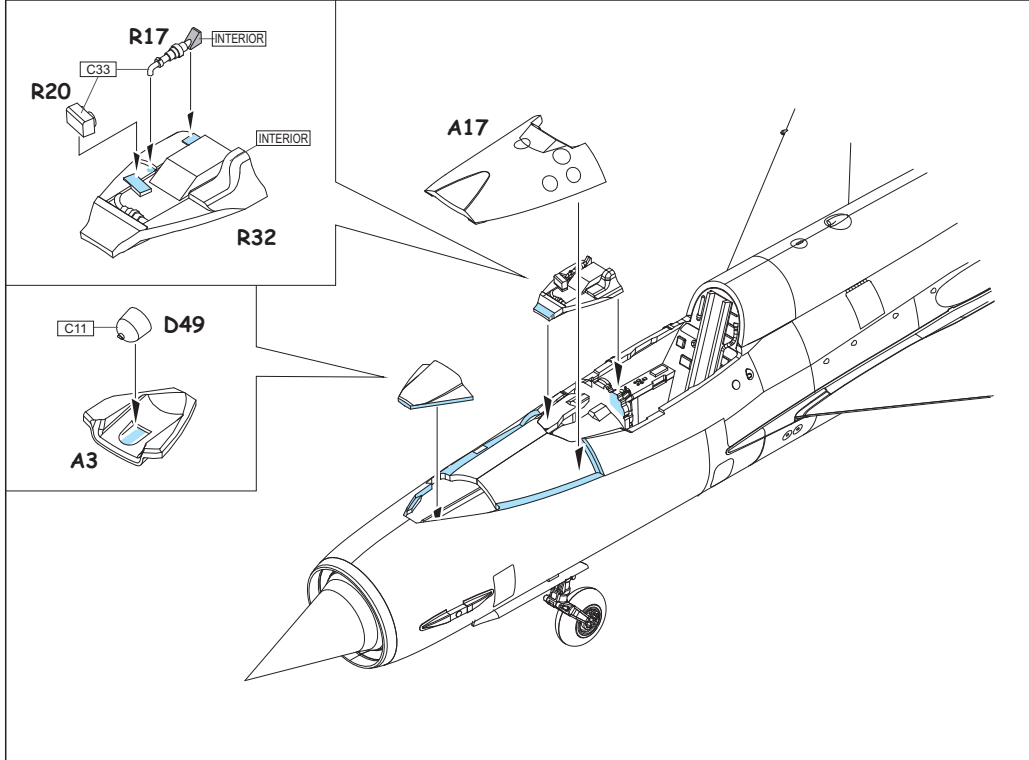
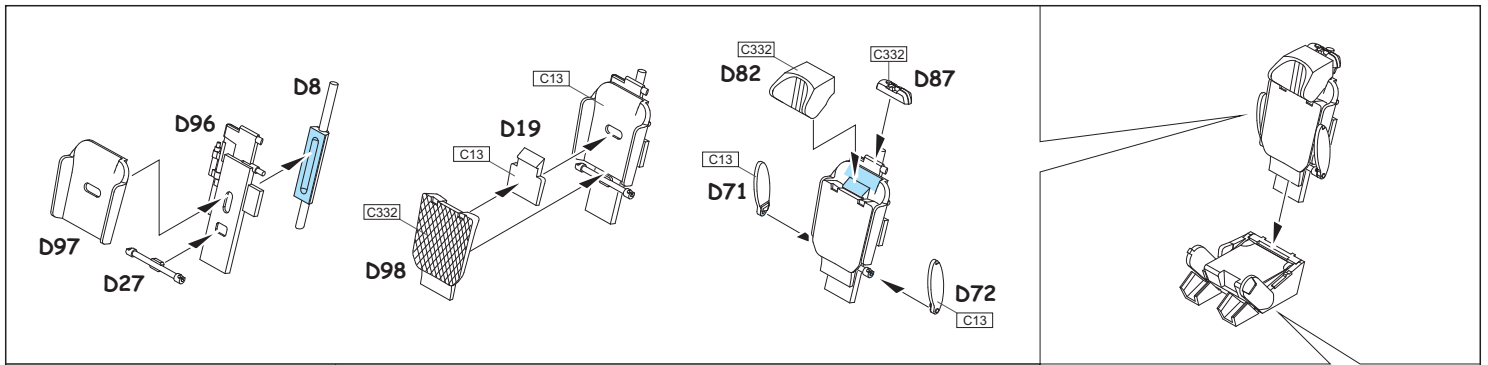


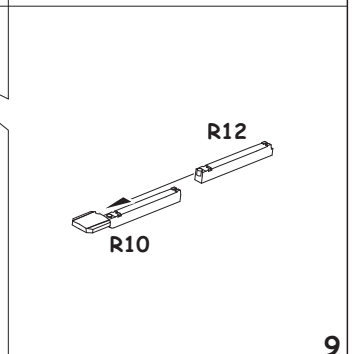
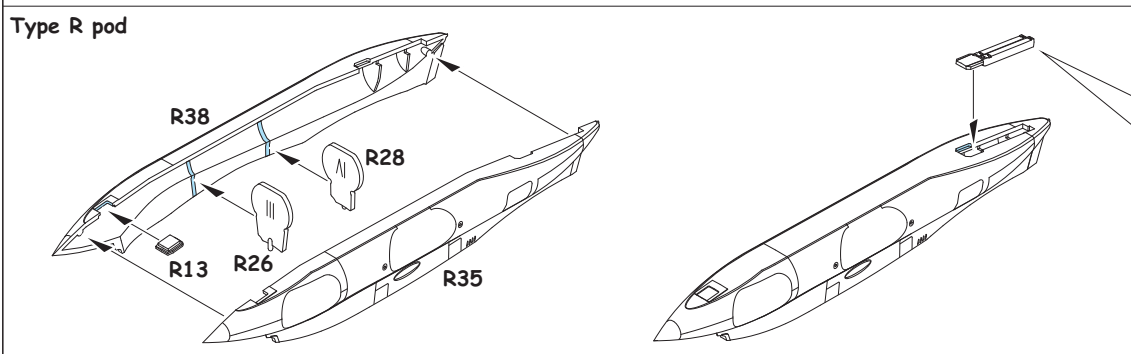
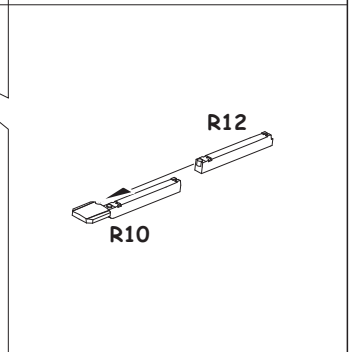
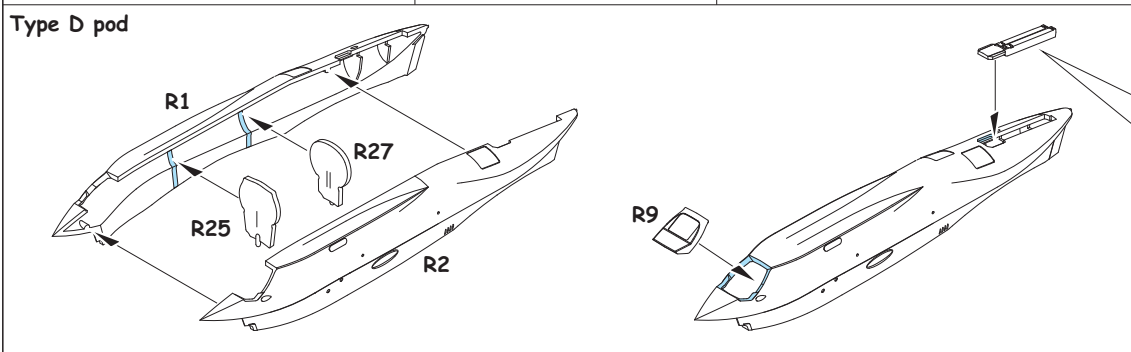
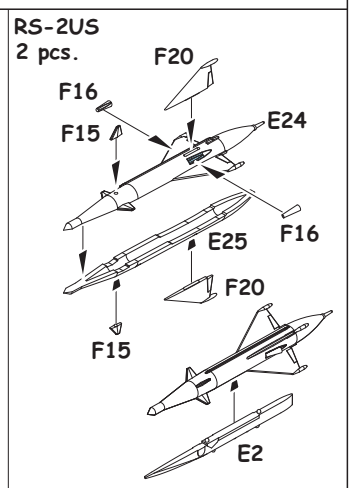
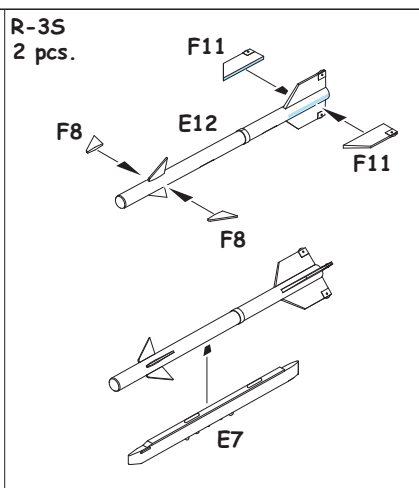
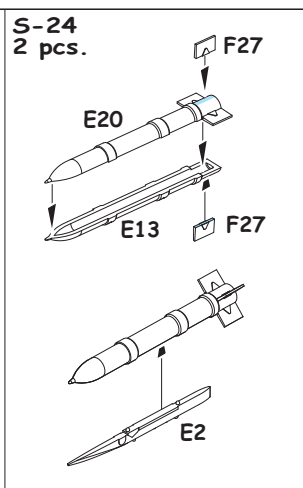
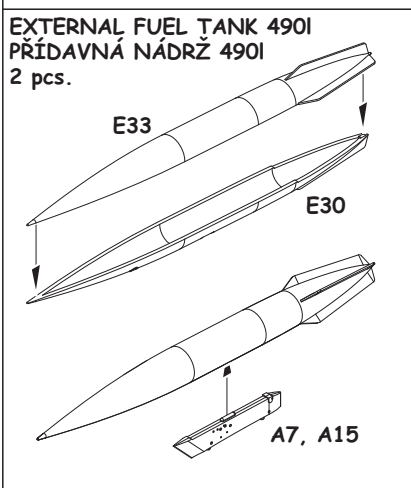
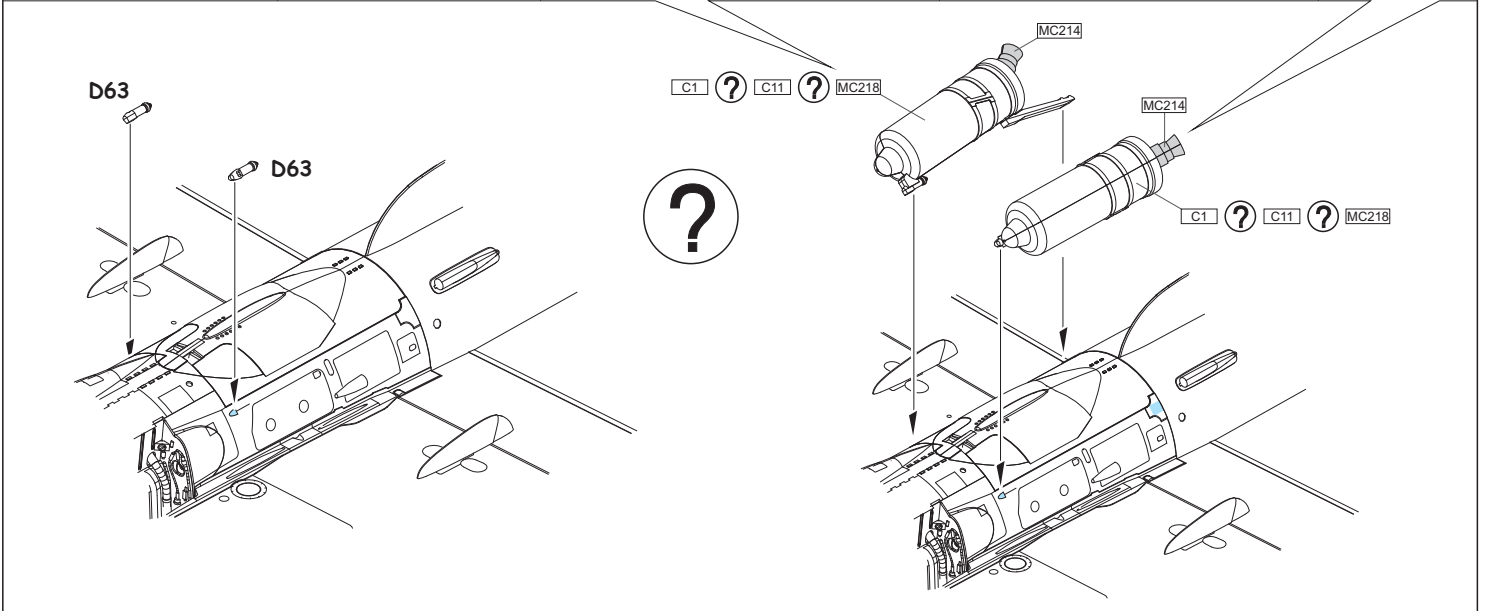
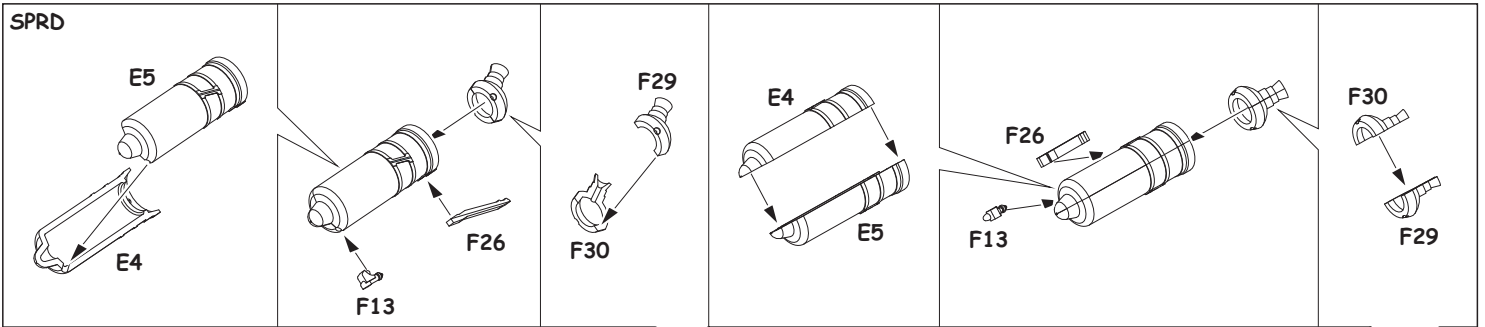
FOR OPEN AIR BRAKES ONLY
JEN PRO OTEVŘENÉ ŠTÍTY

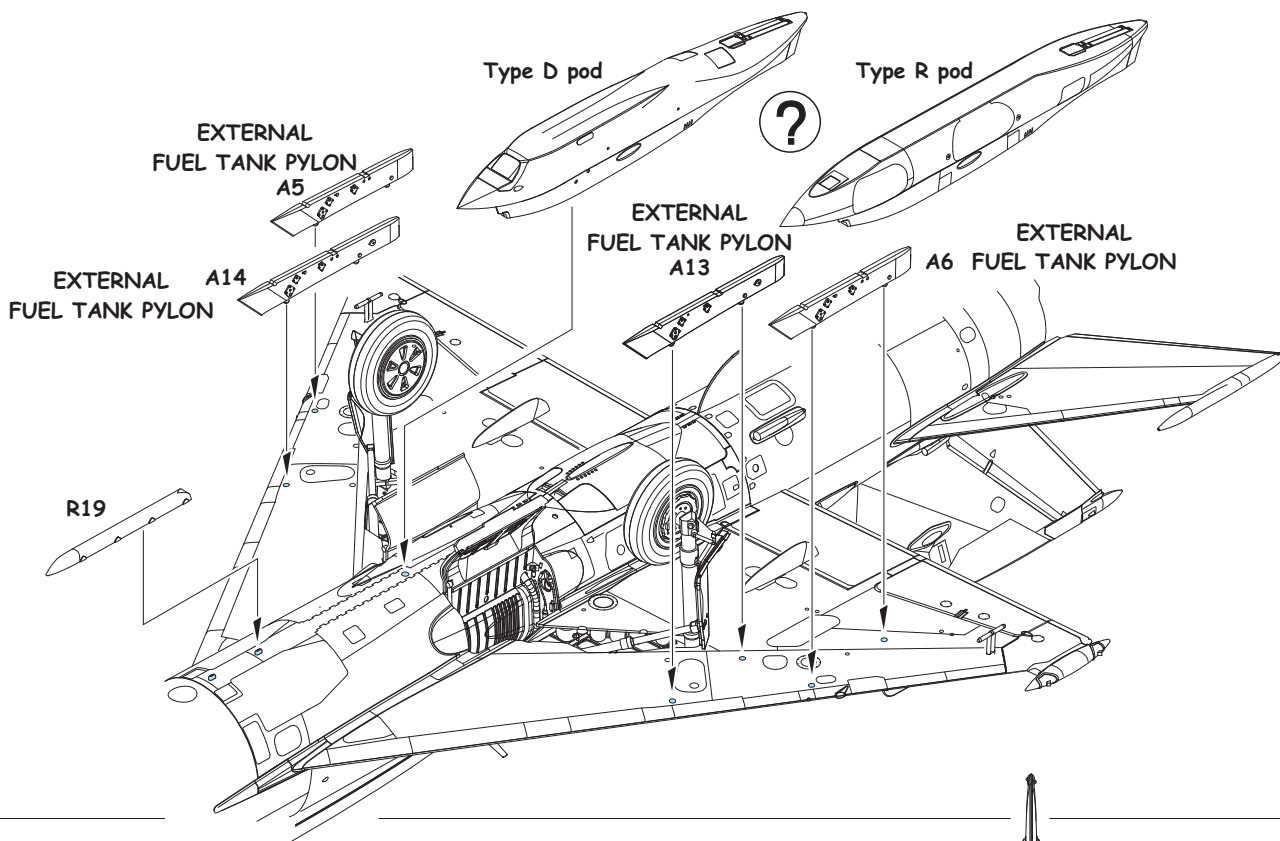






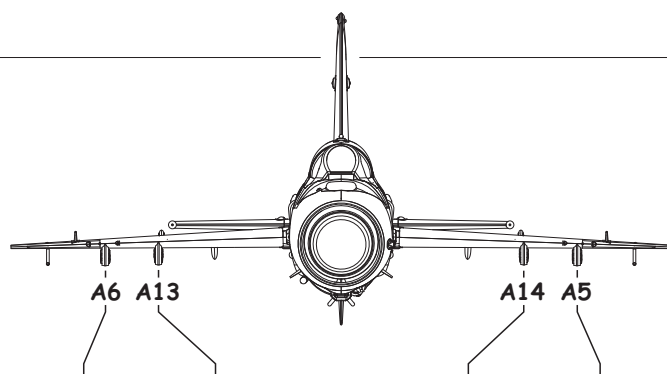






TO CHOOSE WEAPON AND EXTERNAL FUEL TANK OPTION PLEASE FOLLOW YOUR REFERENCE.

PRO VOLBU VÝZBROJE A PŘÍDAVNÝCH NÁDRŽÍ SE DRŽTE DOKUMENTACE KONKRÉTNÍHO STROJE.



EXTERNAL FUEL TANK 490I



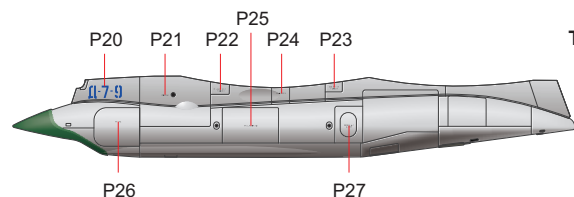
S-24



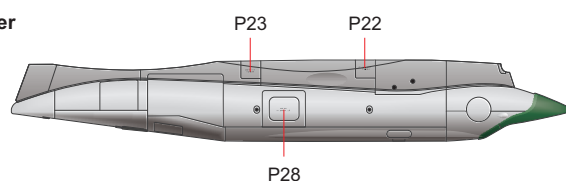
RS-2US



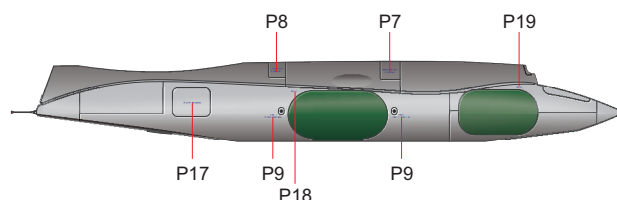
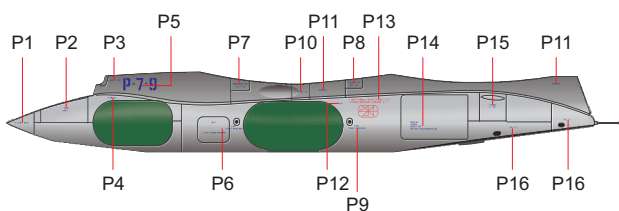
R-3S



Type D pod / D kontejner



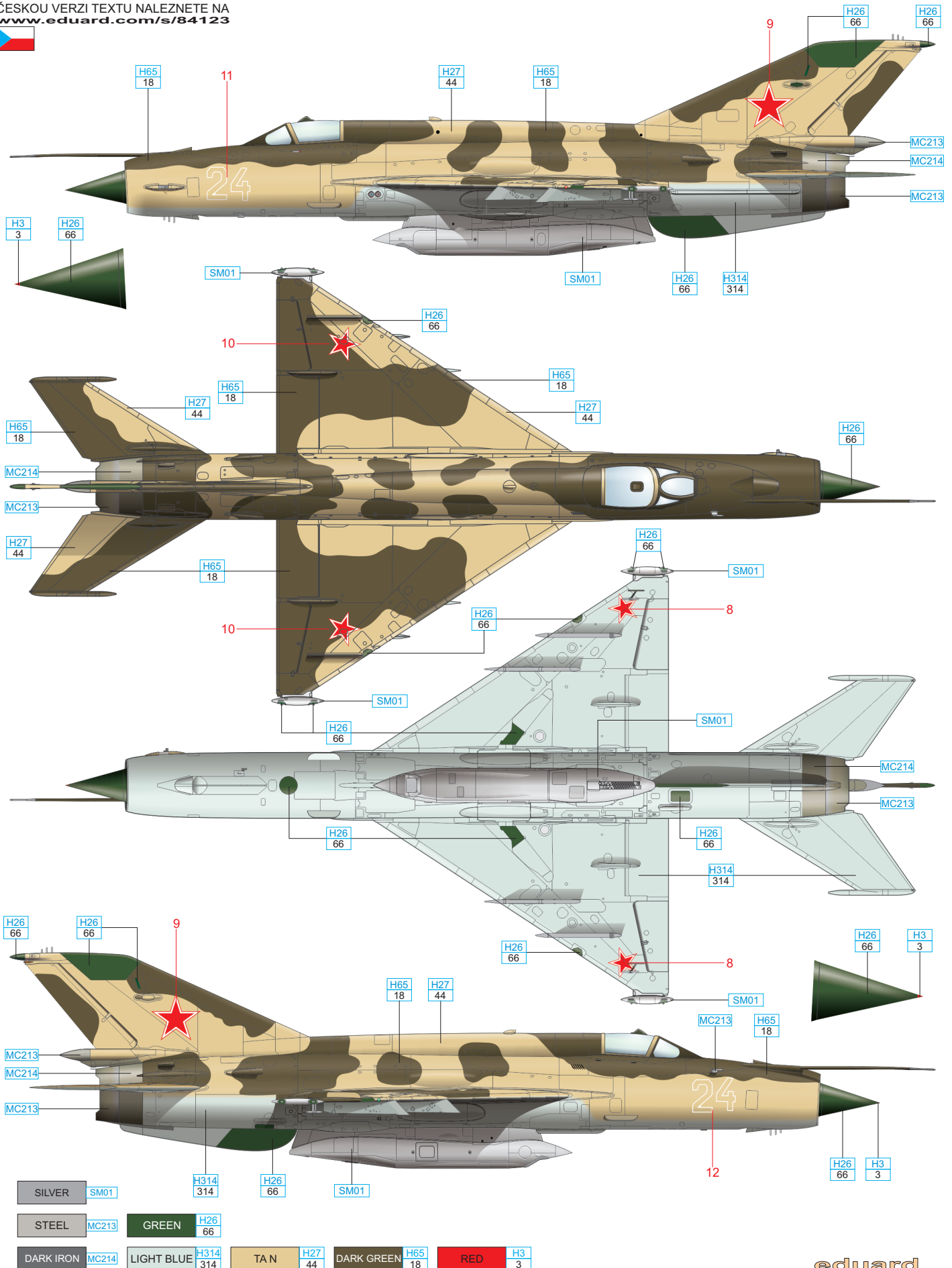
Type R pod / R kontejner



A MiG-21R, 263rd OAETR, Kabul Air Base, Afghanistan, 1982

The 263rd Independent Reconnaissance Squadron moved to Afghanistan on January 2, 1980, a few days after the Soviet invasion of the country. The unit was based at Bagram and moved to Kabul Air Base on April 25, 1980. The airbase in the Afghan capital was the home of the 263rd OAETR till 1984 when the unit began to fly from Bagram Air Base. The unit returned to the Soviet Union in early 1989, when the Soviet occupation of Afghanistan came to an end. This bird was photographed in Kabul in 1982. The D-type recce pod was mounted under the fuselage. The spindles on the wing tips were easily removable and were used when required. These were not present on the aircraft when the photo was taken.

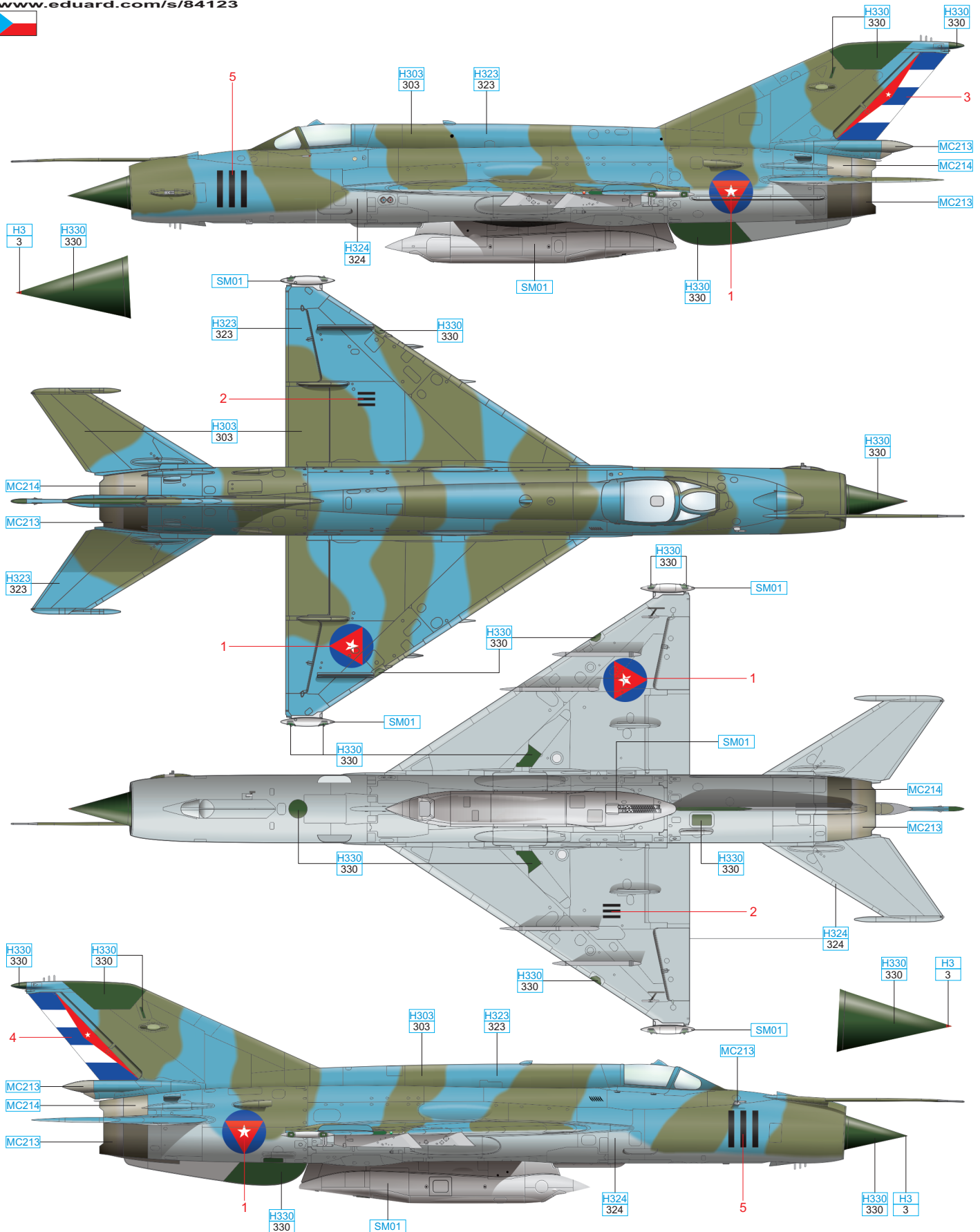
ČESKOU VERZI TEXTU NALEZNETE NA
www.eduard.com/s/84123



B MiG-21R, Cuban Air Force, 80ties – 90ties

The Cuban Air Force obtained twelve MiG-21Rs in total. These were delivered from the Soviet Union and put into service in 1968. Aircraft No. 111 can be seen at the air museum in Havana. The green and blue camouflage scheme has recently been seen on Cuban Air Force aircraft. The instrument panel of this MiG is painted black, despite the spec calling for turquoise. Cuban MiG-21Rs were typically armed with two R-3S missiles mounted along with recce pod and two external 490 l fuel tanks.

ČESKOU VERZI TEXTU NALEZNETE NA
www.eduard.com/s/84123



STEEL	MC213	SILVER	SM01
DARK IRON	MC214	GREEN	H330 330
		LIGHT GRAY	H324 324
		LIGHT BLUE	H323 323
		GREEN	H303 303
		RED	H3 3