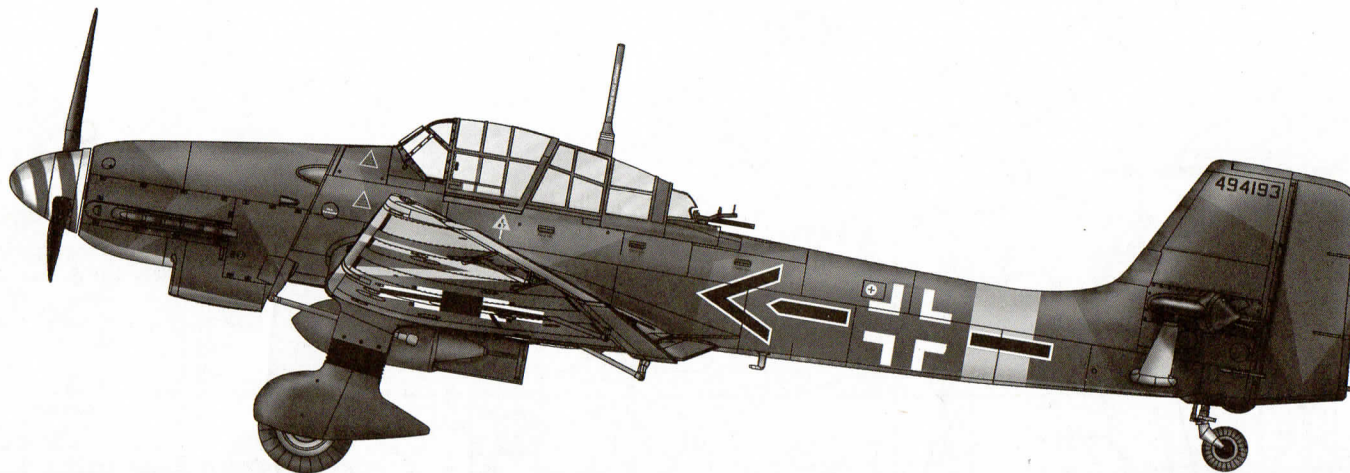


1/32 scale

ITEM NO.:03218



Junkers Ju 87G-2 Stuka

德国Ju 87G-2俯冲轰炸机

READ BEFORE ASSEMBLY:

- This kit is not recommended for inexperienced modelers or for children under 14 years of age
- Study and understand these instructions thoroughly before beginning assembly
- When needed, remove photo-etch parts carefully using a modeling knife or photo etch sprue cutter, being careful not to damage or lose small parts.
- Take extra care in handling photo etch parts in order to avoid injury
- Apply instant cement sparingly to photo etch parts where instructed

- Tools recommended(not included in kit):Plastic and instant cements,sprue cutters,long nose pliers,,modeling knife, small files, tweezers, pin vise & scissors. Soft cloth and sandpaper will also assist in construction
- Glue and paint are not included in the kit. Use plastic cement and hobby paints only. Color guide for purchasing paint is included in the kit.
- Keep out of reach of small children. They must not be allowed to ingest small parts or handle plastic bags in any way.

装配之前仔细阅读

- 小心用模型锉刀锉平所有零件表面的注射浇口。
- 小心用刀片切下蚀刻片零件，不要遗失小零件。
- 用强力快干胶水粘合蚀刻片零件和金属轴。过量的快干胶水使用可能导致可动零件会粘住，小心涂胶。
- 取蚀刻片时应特别注意安全，防止利边划伤手指。
- 某些零件表面需贴水贴纸，请选择在装配的同时进行。
- 推荐模型工具(自备)：胶水，水口剪刀，长咀钳，刀片，锉刀，镊子钳，钻，剪刀，瞬间快干胶。
- 软布同砂纸同时也应该是必备工具。
- 请使用塑料胶水和油漆，模型内不含。
- 谨防小孩吸吮塑料零件，或者将塑料袋套在头上，制作时应将套材远离小孩接触。
- 本产品不适合14岁以下没有经验的模型爱好者。

水贴纸的使用:

1. 从水贴上剪下印花;
2. 将印花放入温水中浸10秒，然后放在干净布上。
3. 拿着印花纸板将印花移到模型上;
4. 手指蘸水将印花移到适当的位置;
5. 用软布轻压印花直至水干，气泡消失。

DECAL APPLICATION:

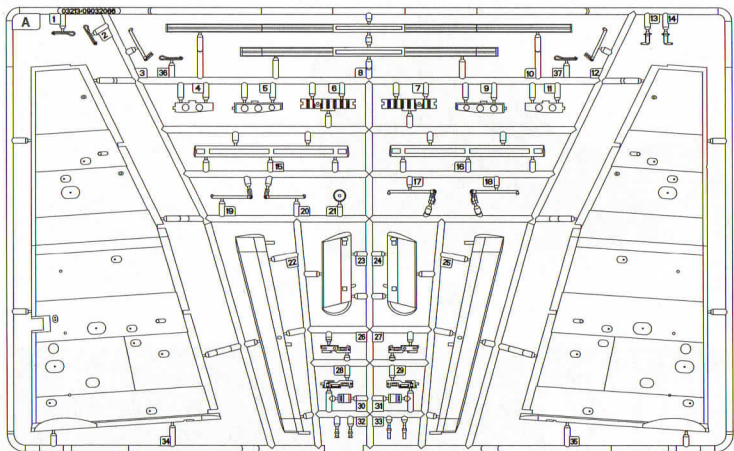
1. Cut decals from sheet as needed
2. Dip the decal in warm water for about 10 seconds and then place on soft clean cloth.
3. Hold the decal backing sheet edge and gently slide the decal onto the model in its proper position.

4. While still wet,decal can be adjusted for better fit on model by dampening it gently with your finger.
5. When placed in the proper position,gently press decal down with a soft cloth until excess water and air bubbles are gone.
6. Allow decal to dry completely before handling model

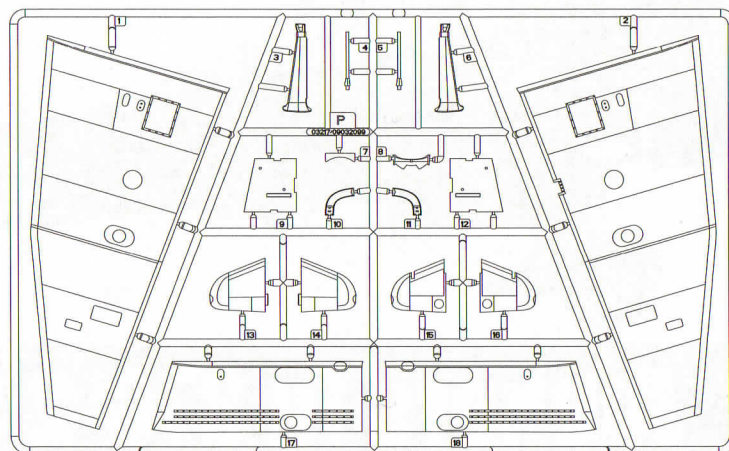


部品图
Parts

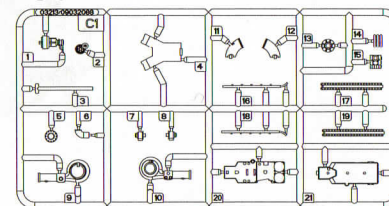
A



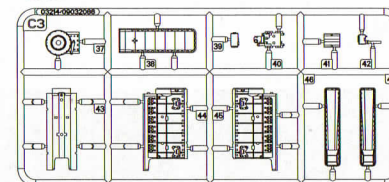
P



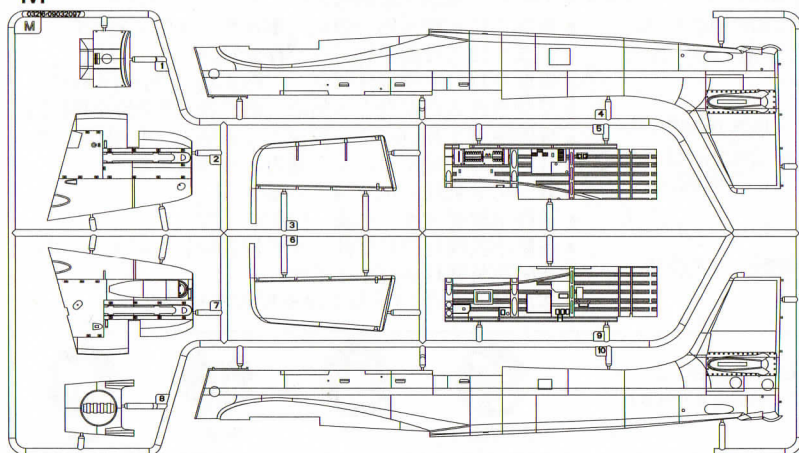
C1



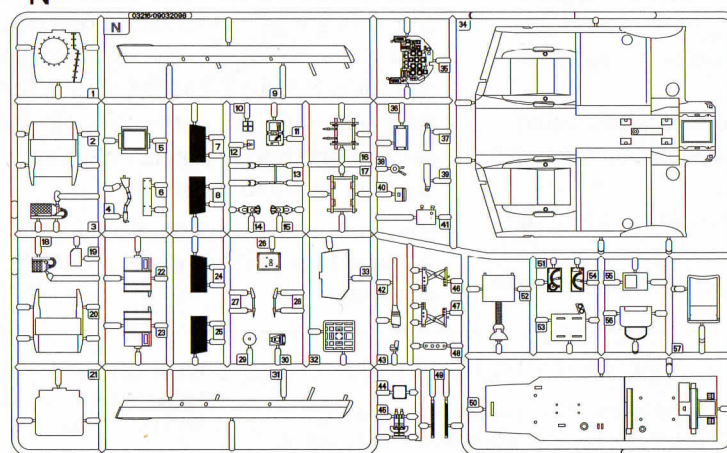
C3



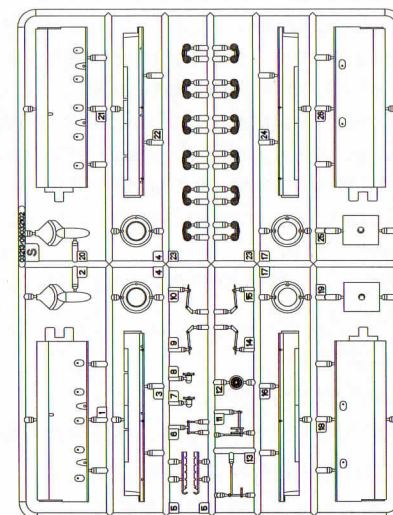
M



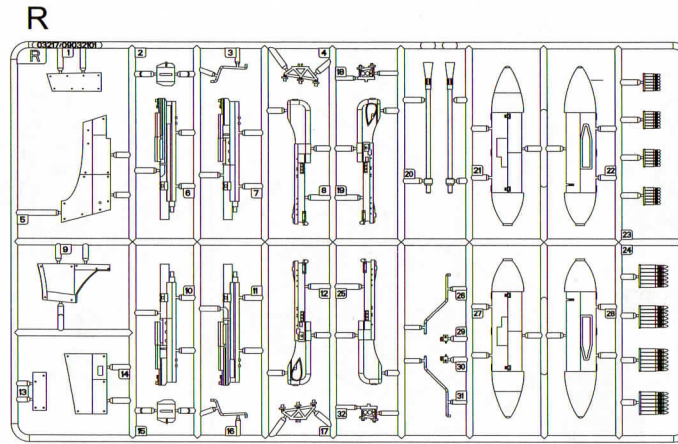
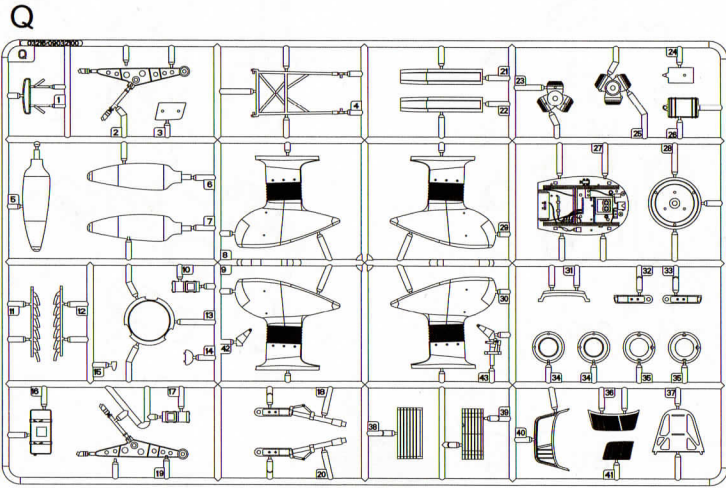
N



S



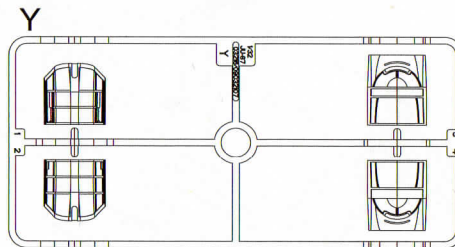
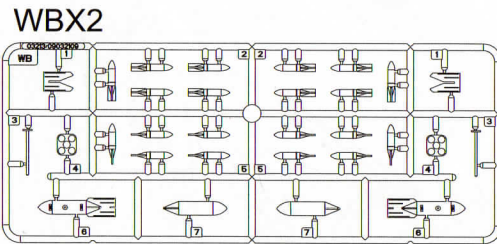
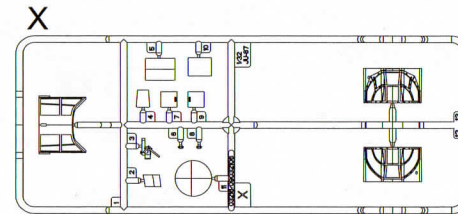
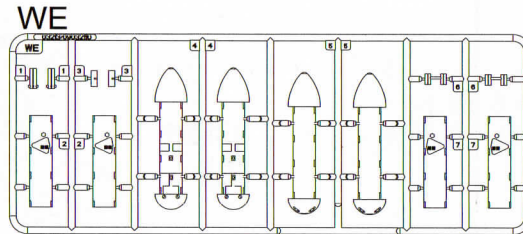
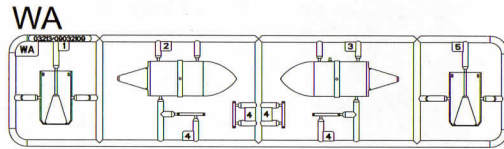
部品图
Parts



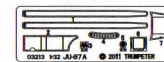
《主轮胎》X2
Main tyre



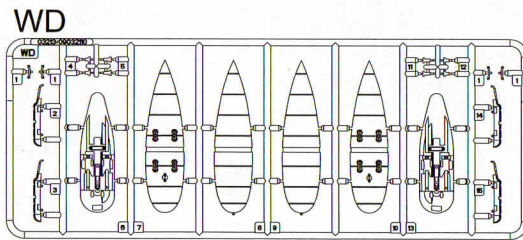
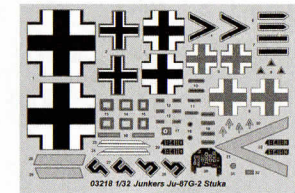
《尾轮胎》
Tail tyre



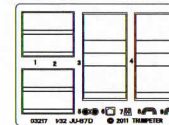
《蚀刻片》A
Photo etched part(PE-A)



《水贴》
Decal

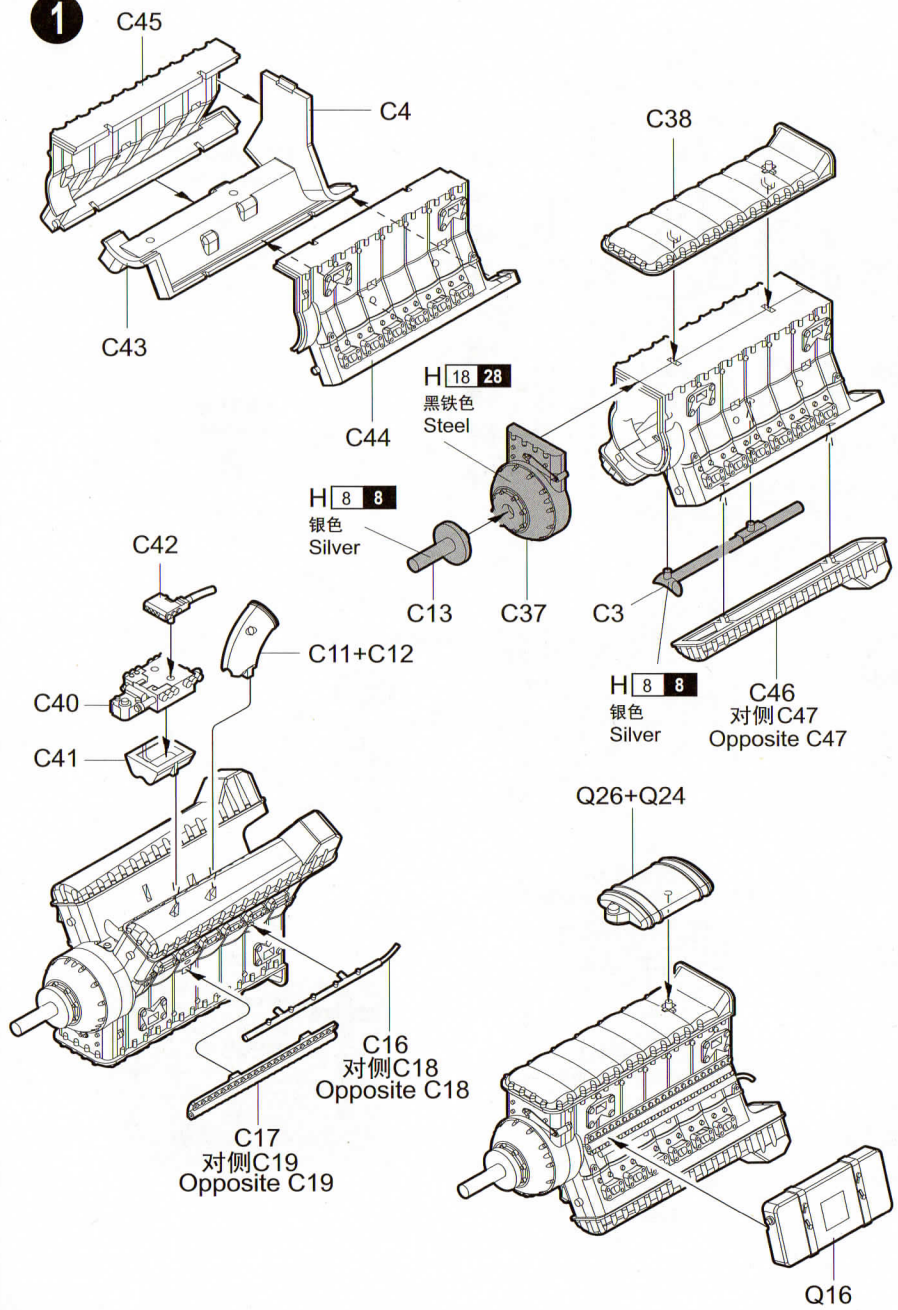


《蚀刻片》B
Photo etched part(PE-B)

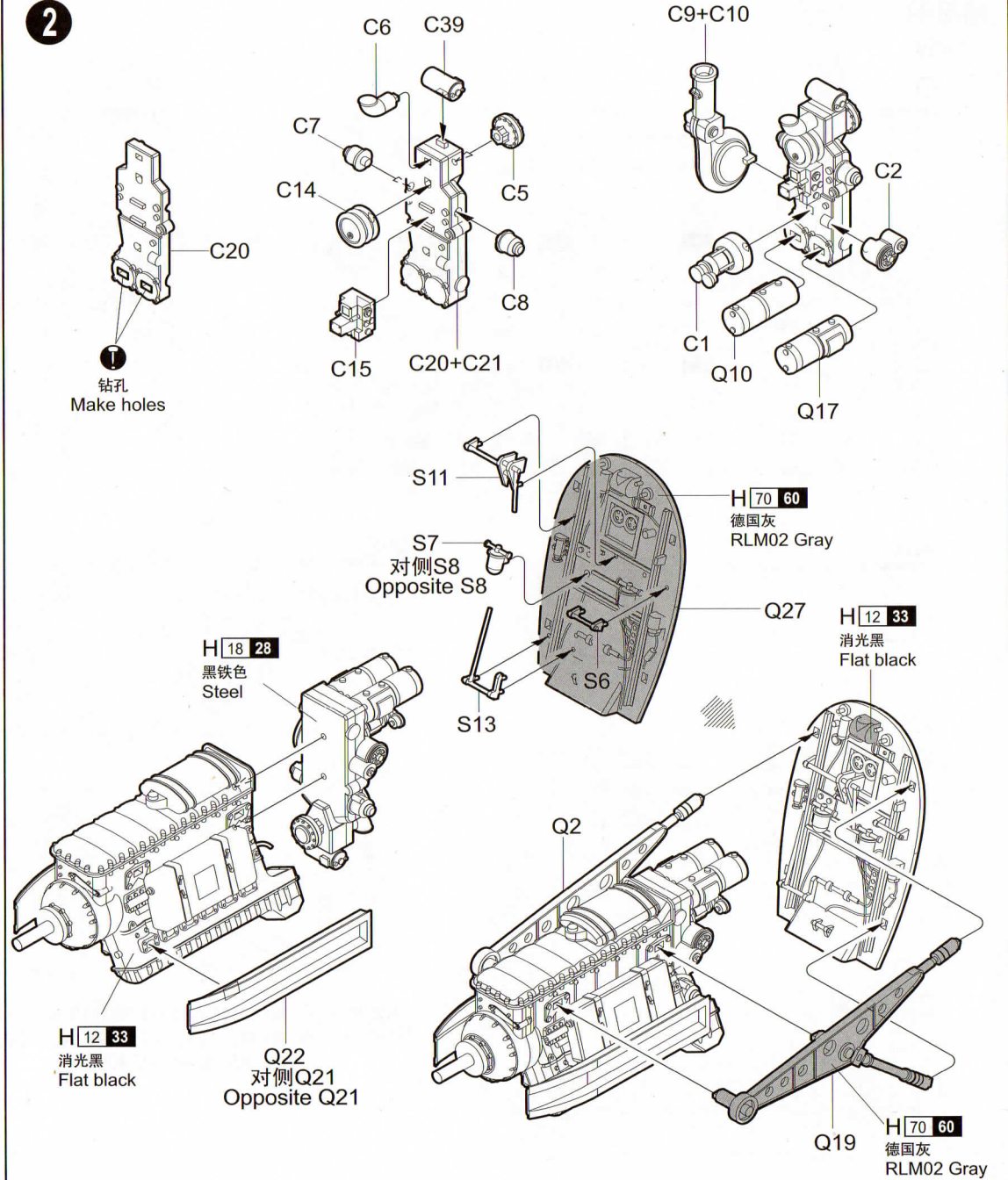


不用的部件: A15 A16 A32 P4 P5 S23 S5 Q34 Q35
Unused parts
R1 R5 R9 R13 R14 PE-A2 PE-A3 PE-A4
PE-A5 PE-A6 PE-A7

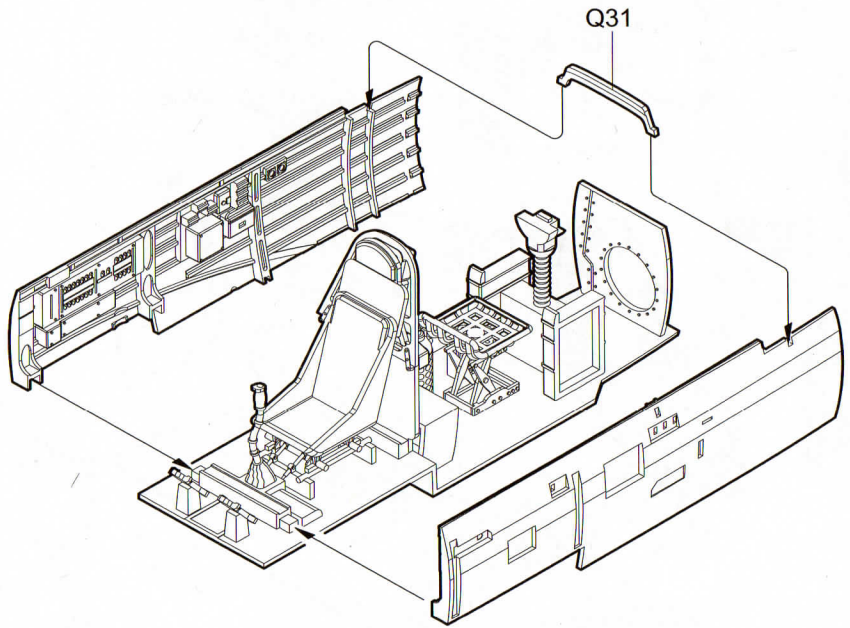
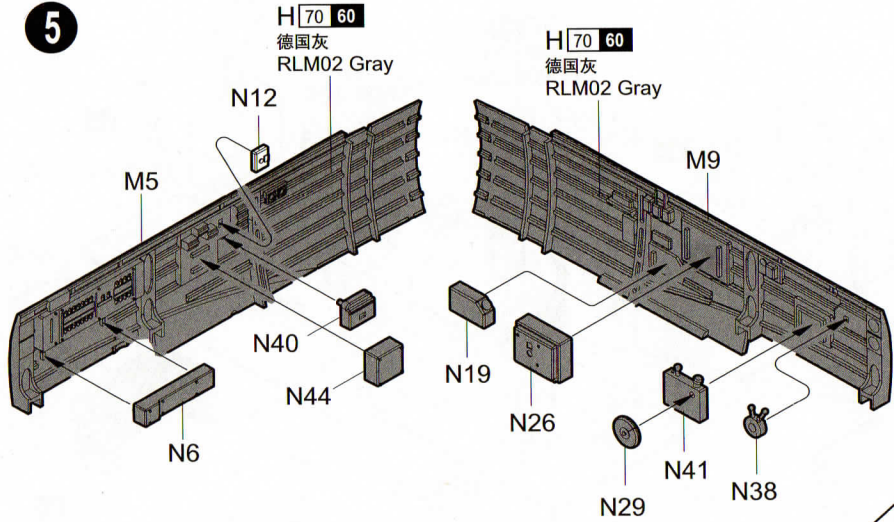
1



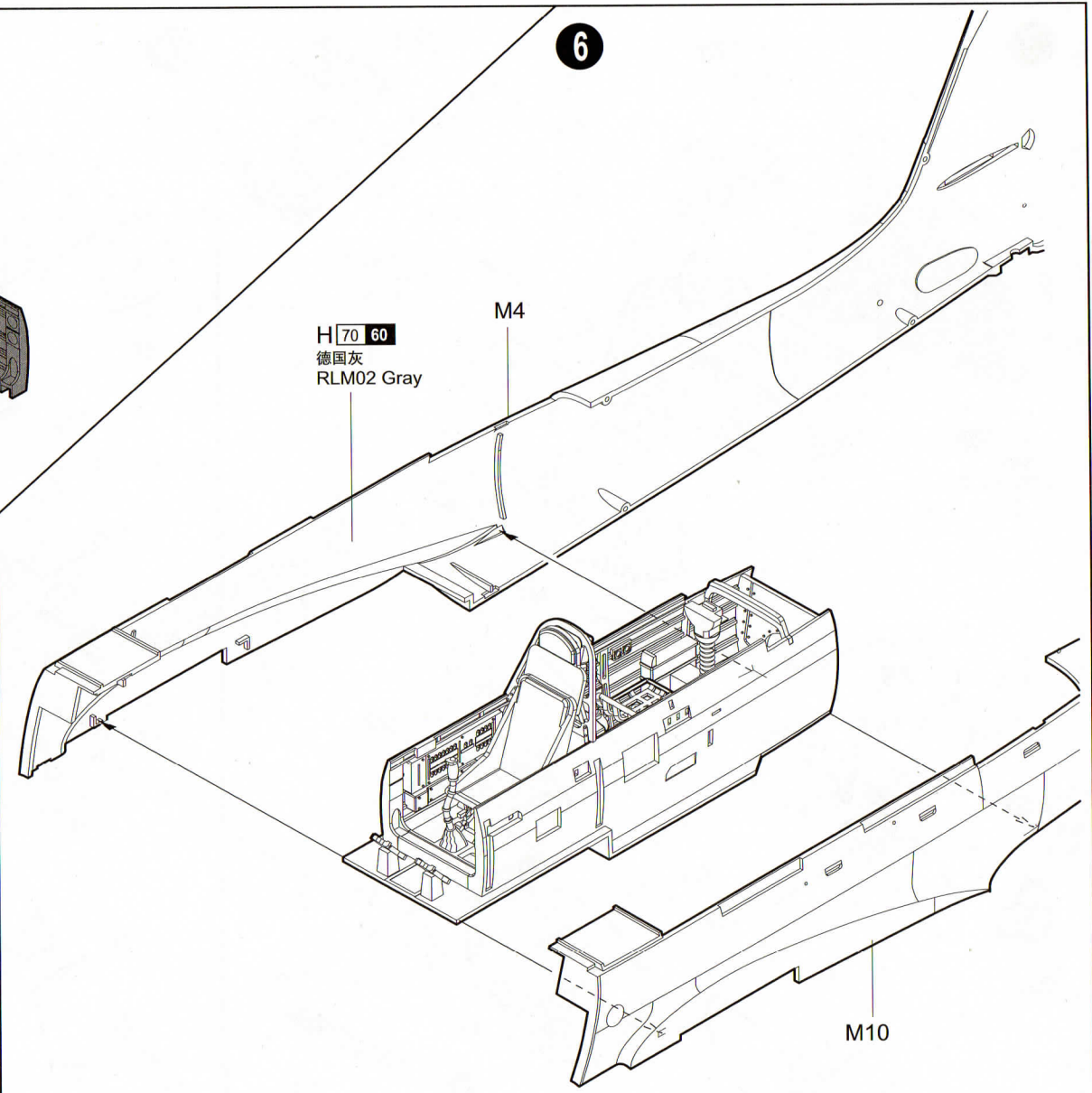
2



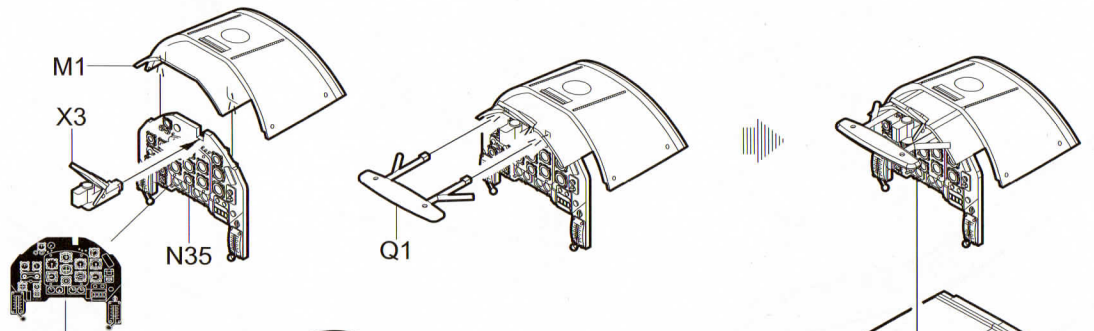
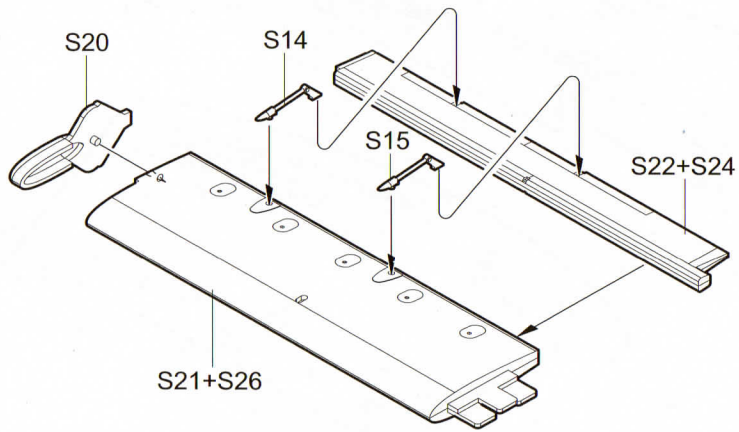
5



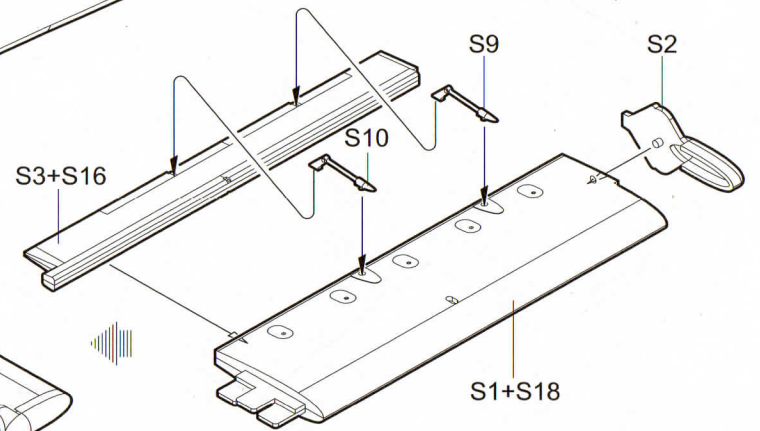
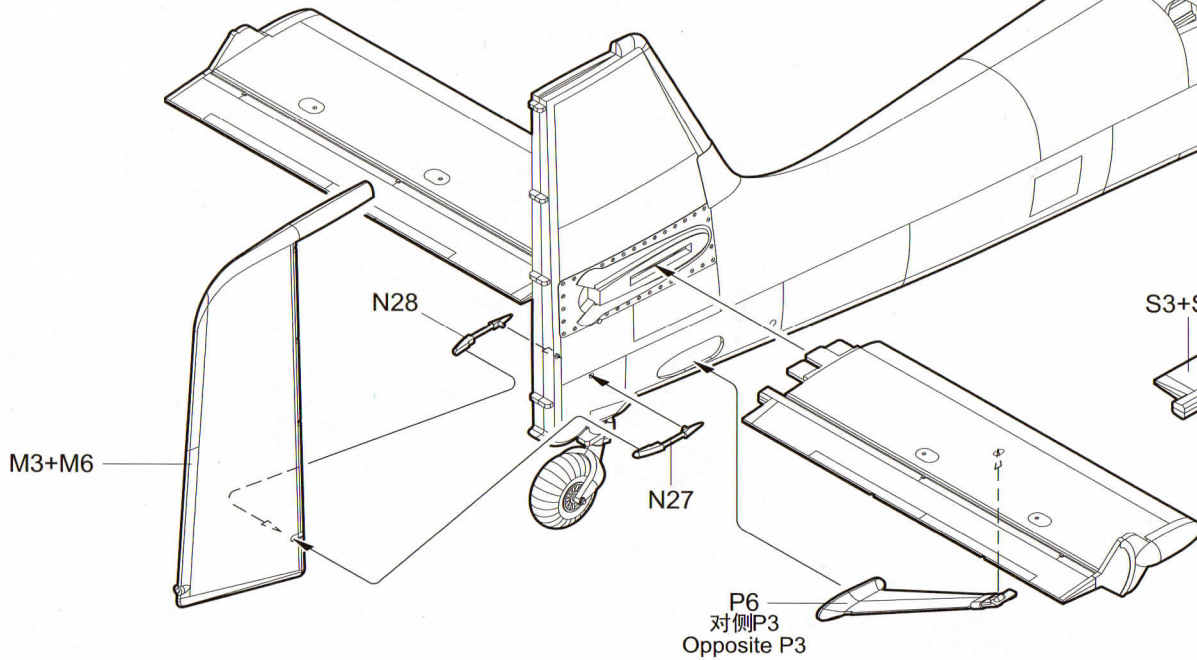
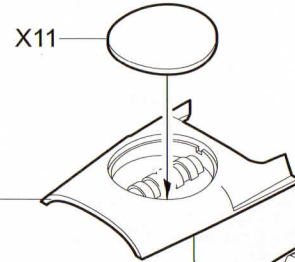
6



《左侧水平尾翼》
Left horizontal stabilizer

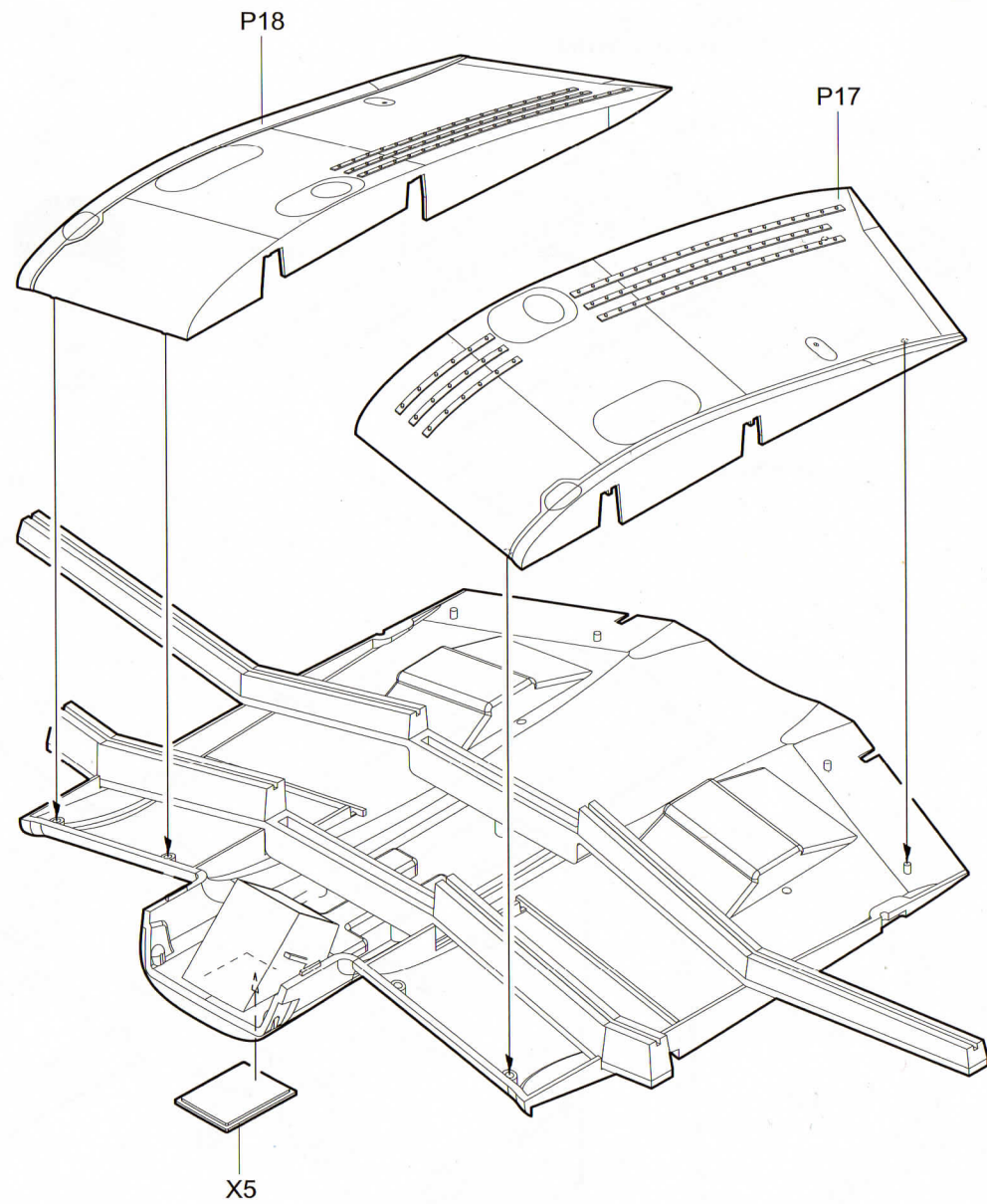
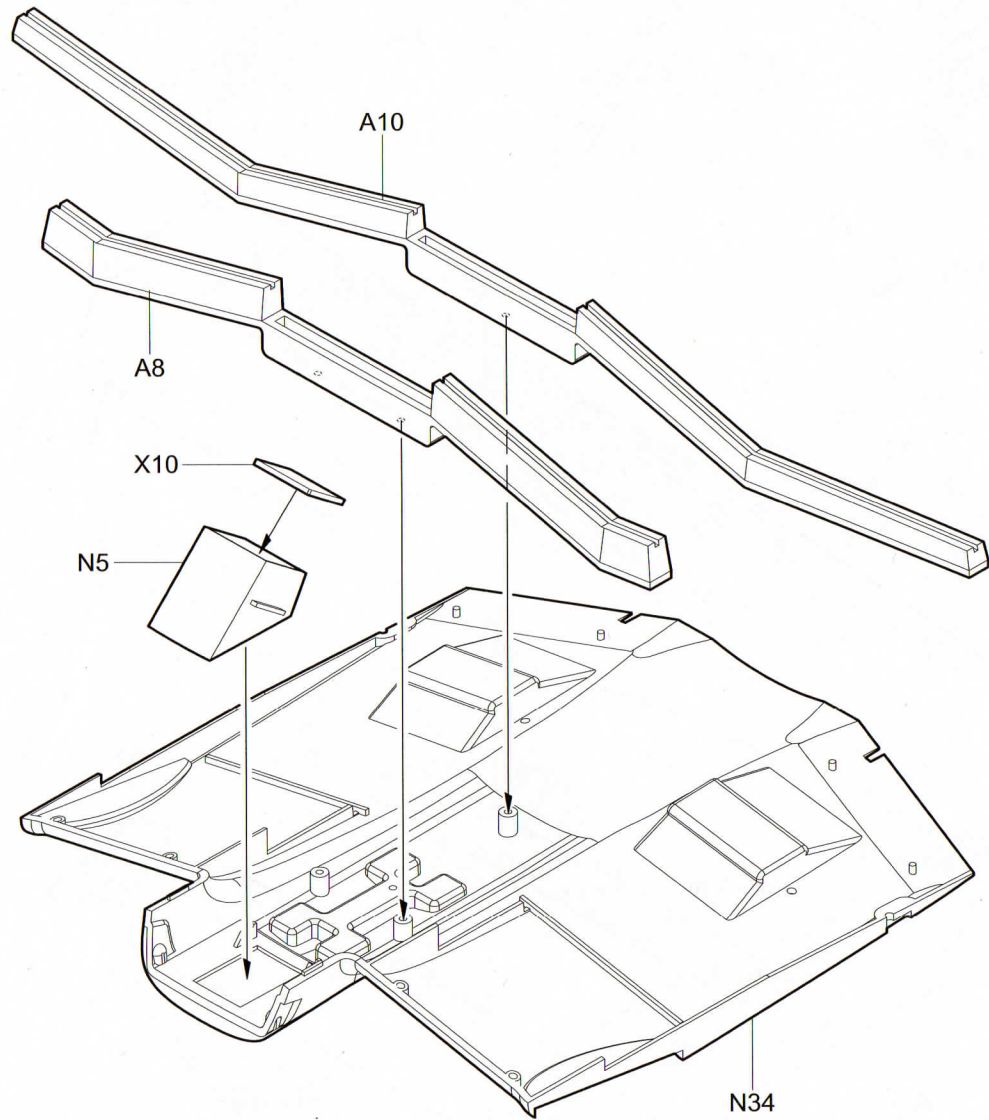


贴纸
Decal
30

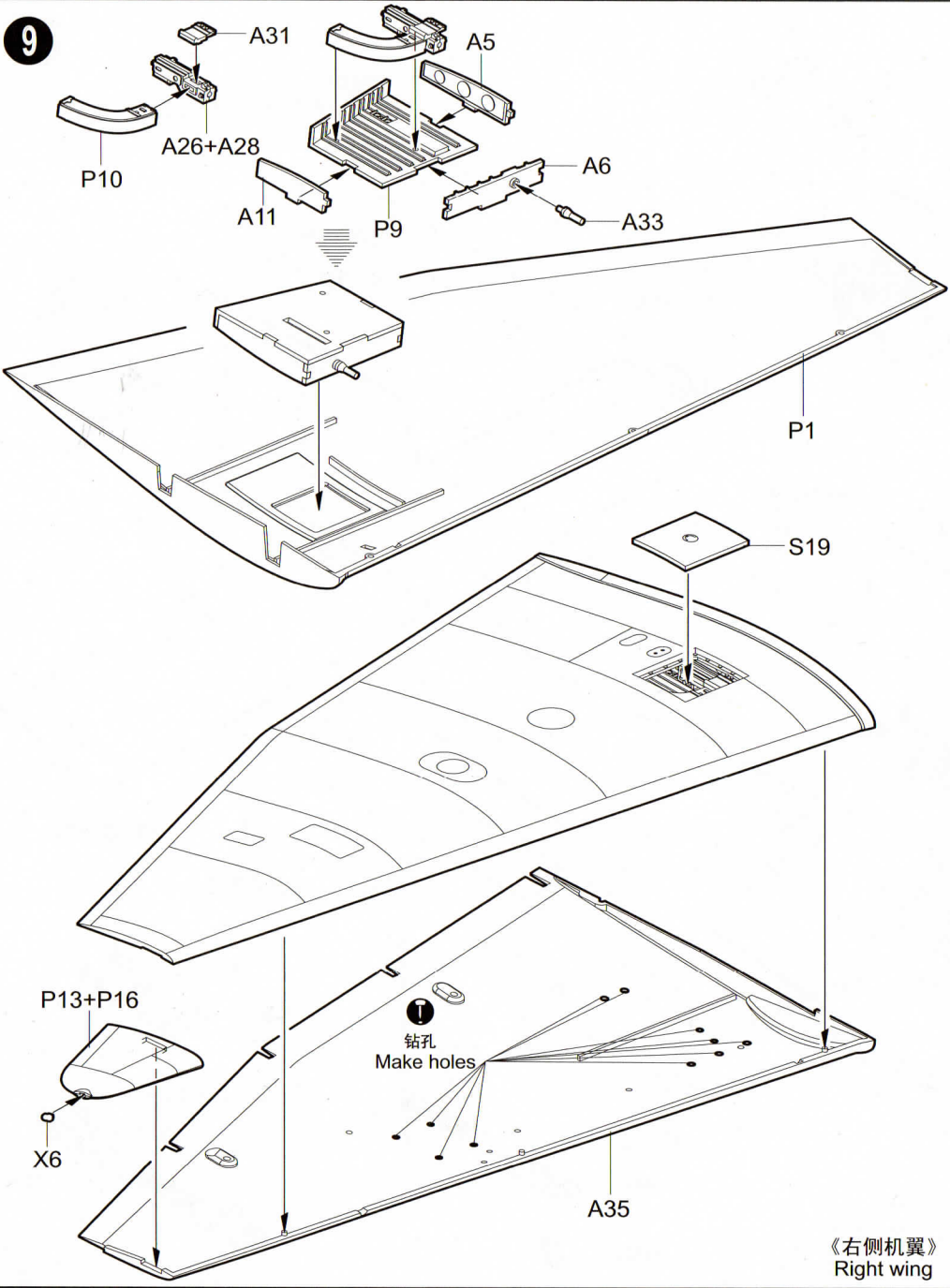


《右侧水平尾翼》
Right horizontal stabilizer

8

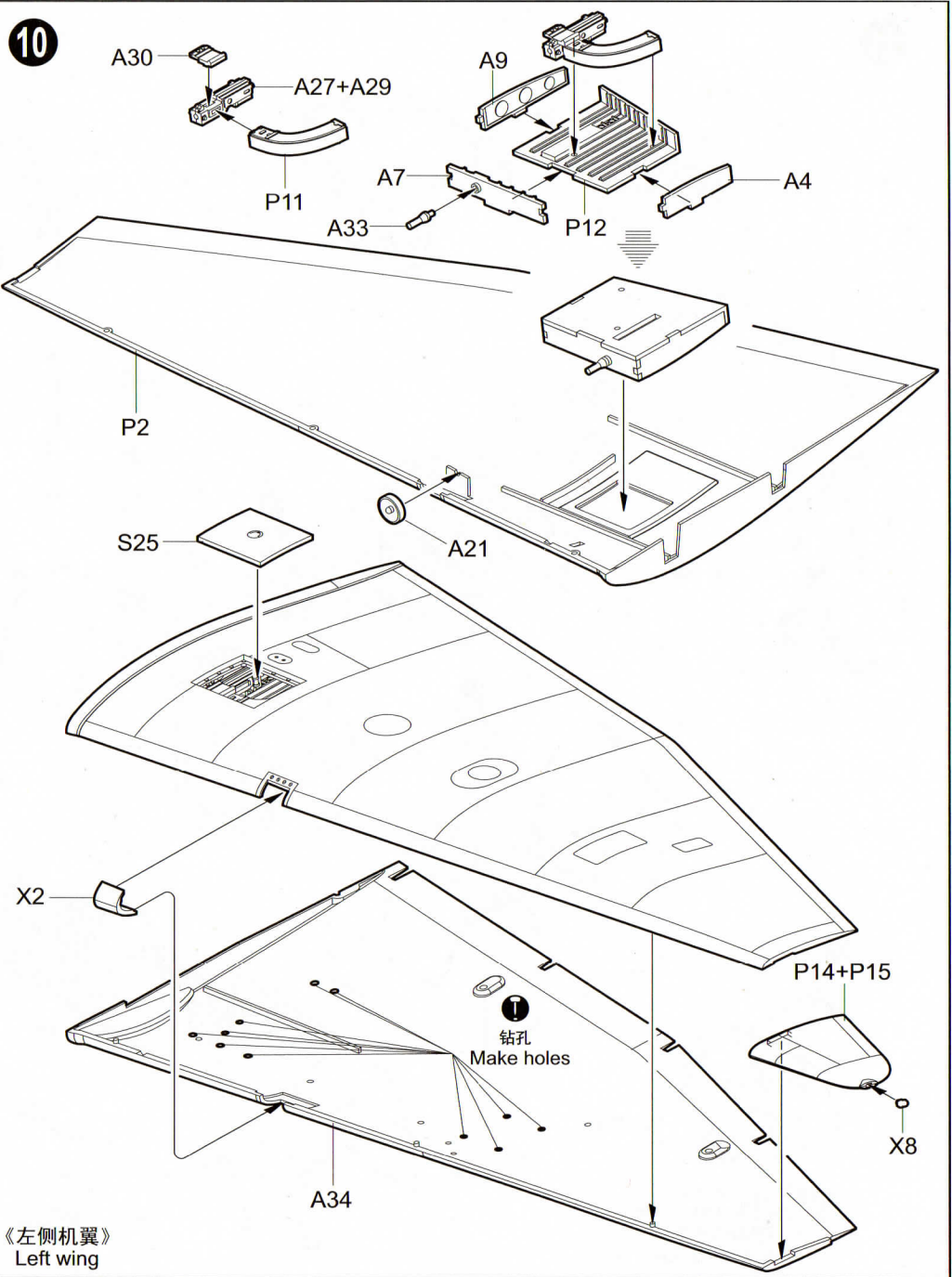


9



《右侧机翼》
Right wing

10



《左侧机翼》
Left wing

11

X9
对侧X7
Opposite X7
Y1

P7
P8

Y3
(Y4)

X12
PE-B8
对侧PE-B9
Opposite PE-B9
PE-B6

选择
Option

X1

选择
Option

Y2

X4

X13
PE-B8
对侧PE-B9
Opposite PE-B9
PE-B6

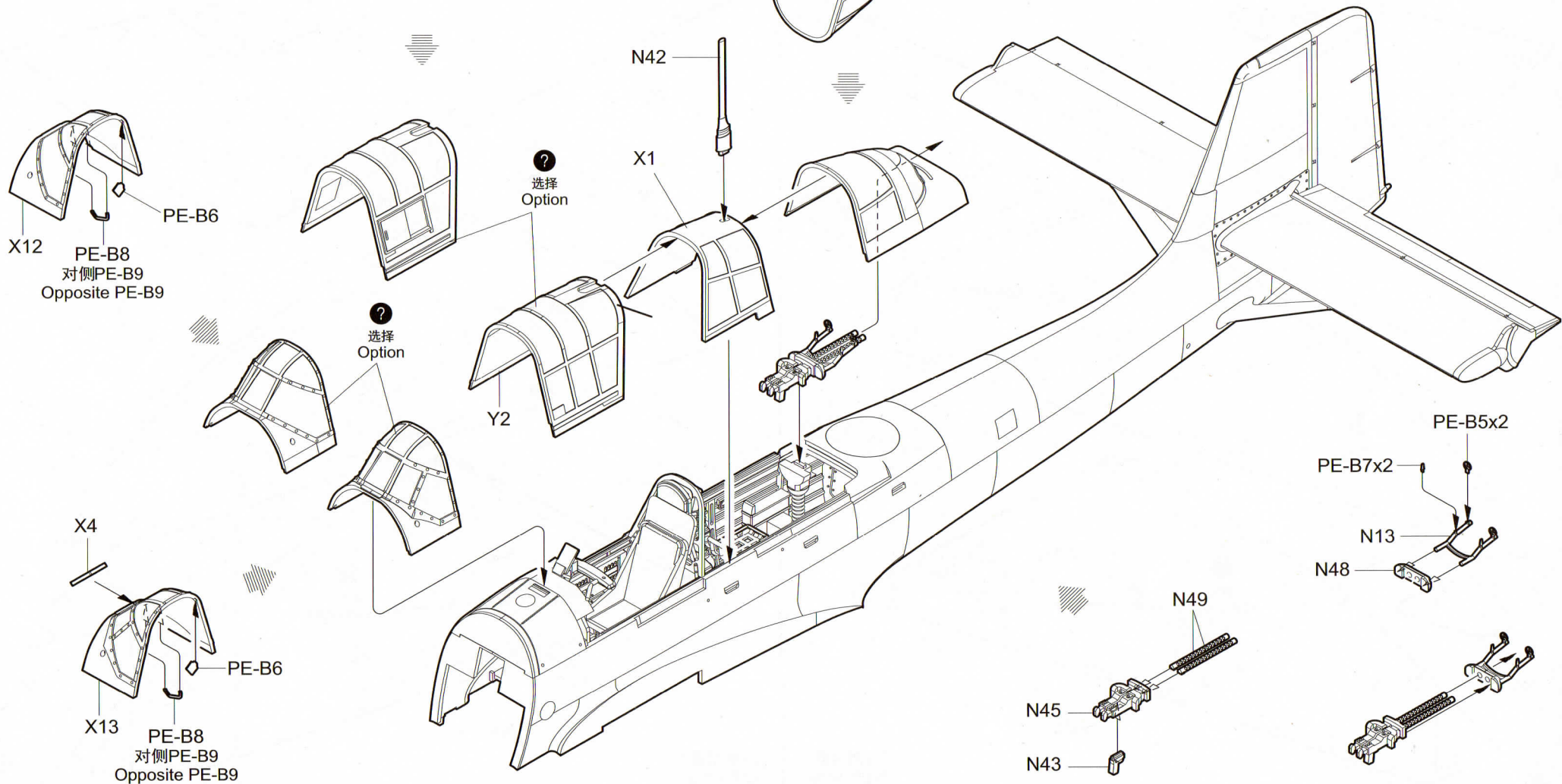
PE-B5x2
PE-B7x2
N13
N48

N49

N45

N43

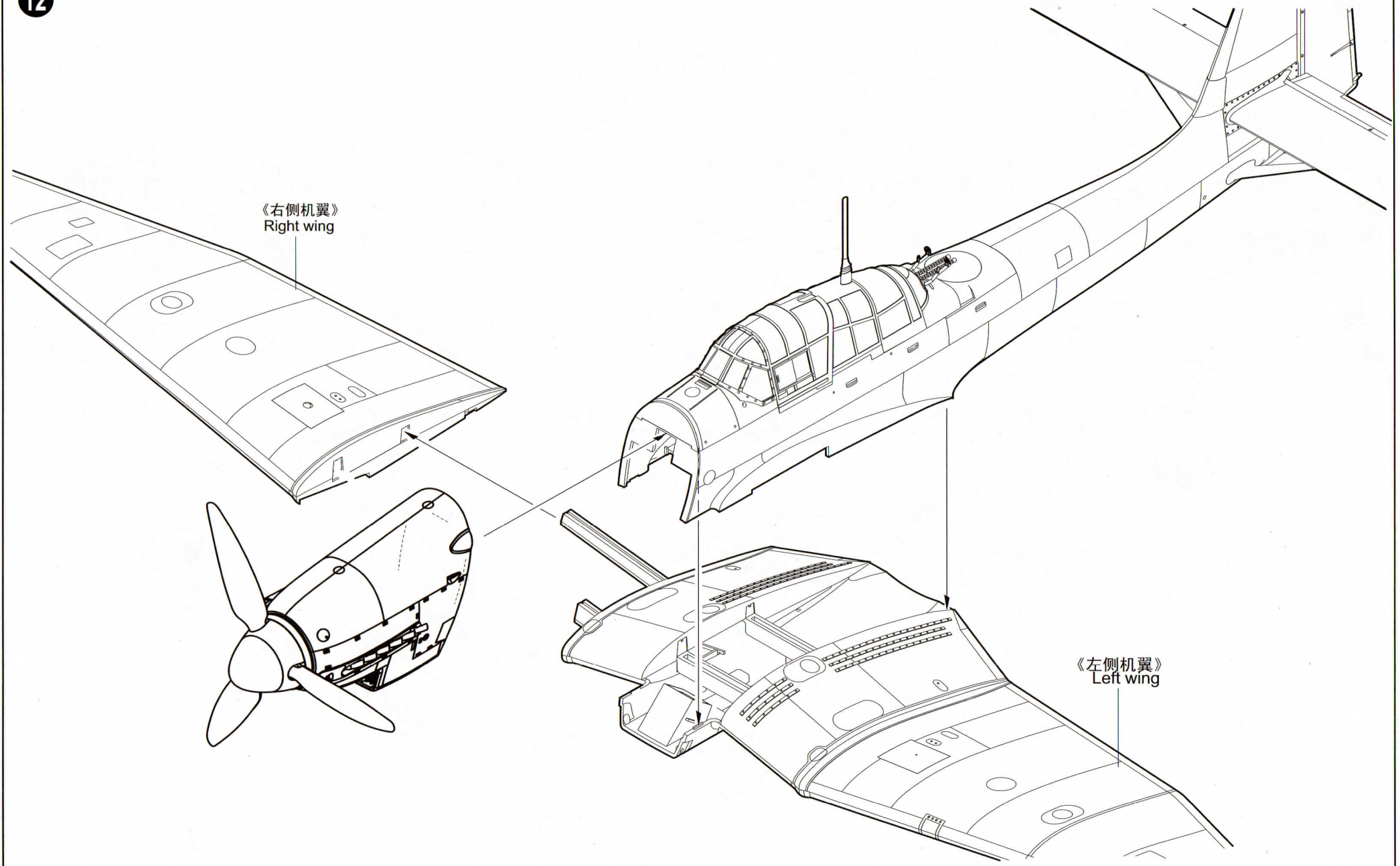
N42

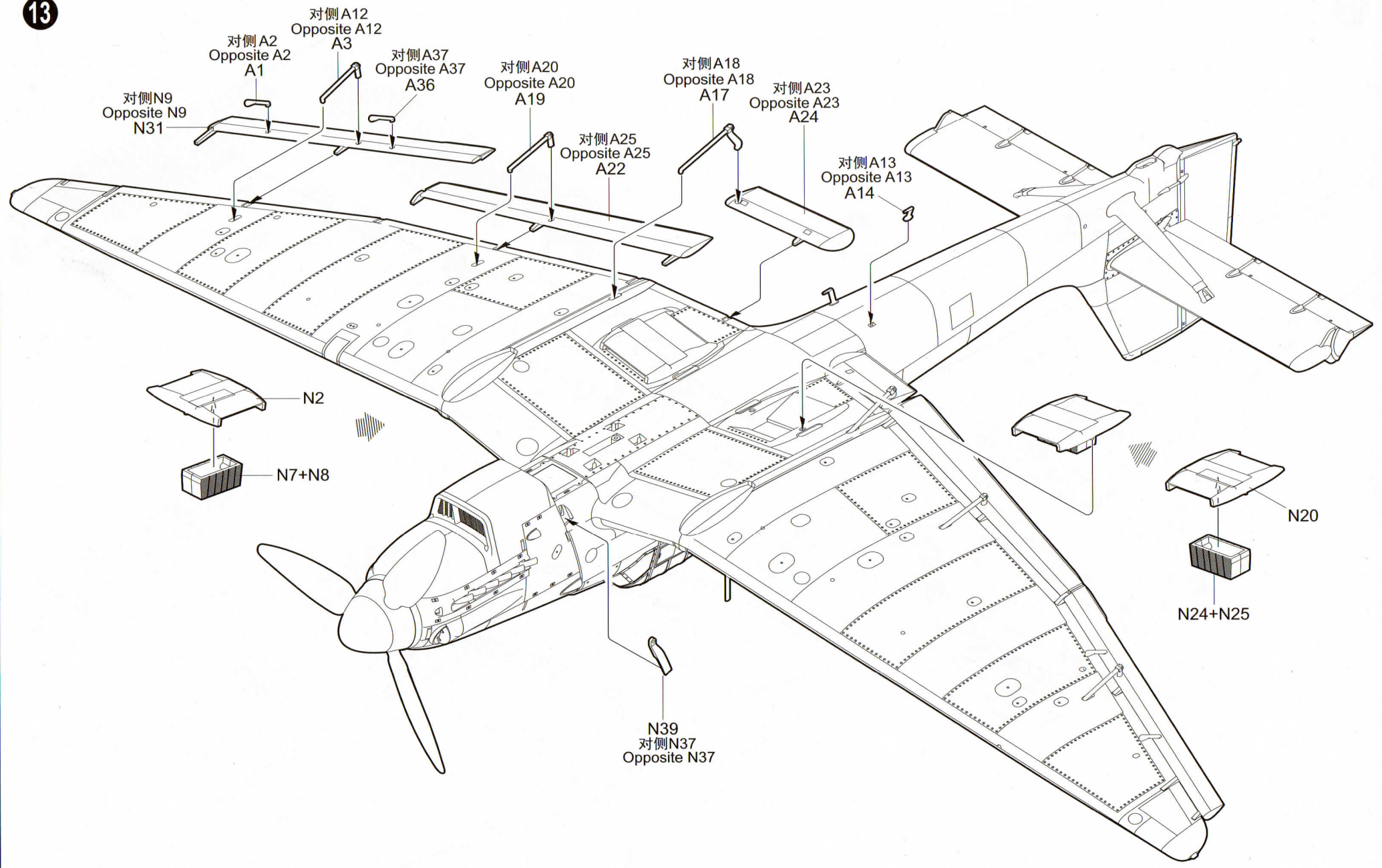


12

《右侧机翼》
Right wing

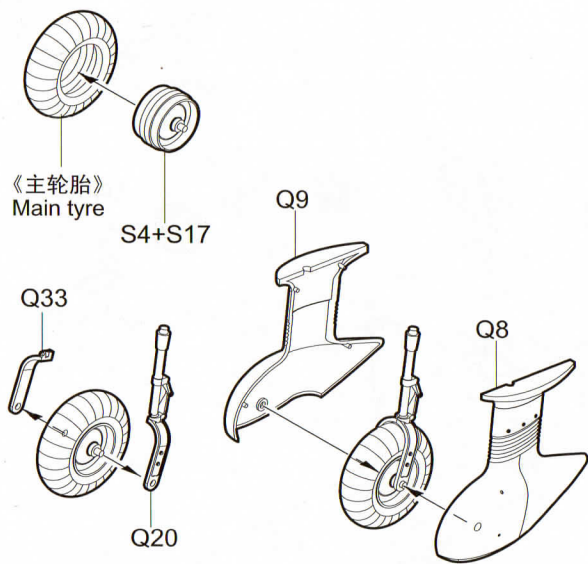
《左侧机翼》
Left wing





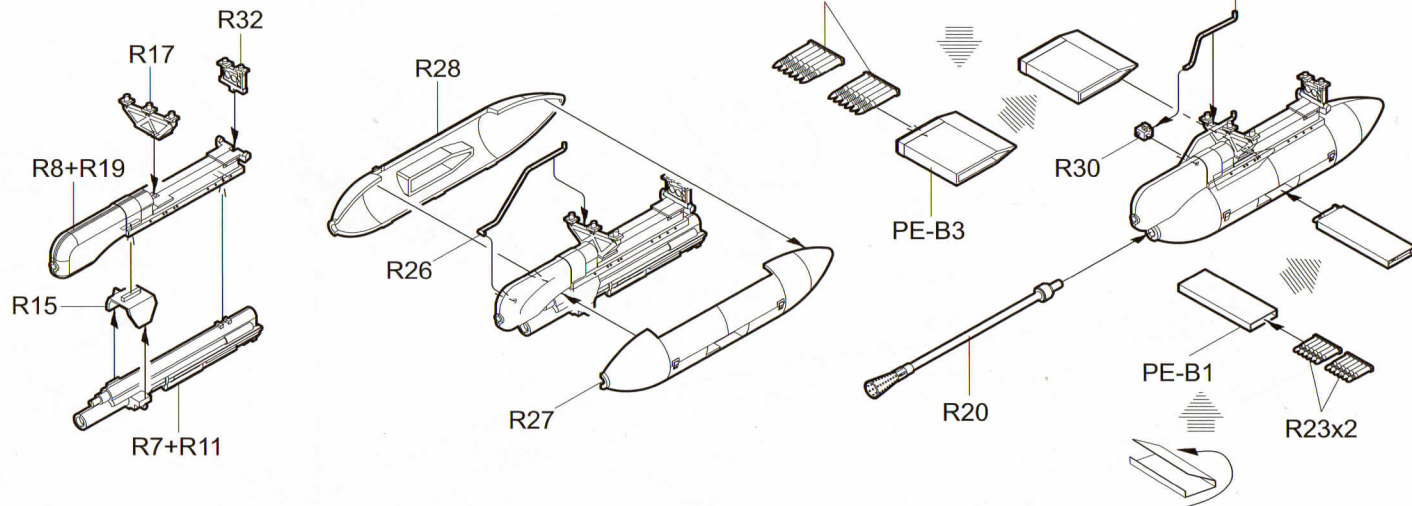
14

《左侧主起落架》
Left main undercarriage



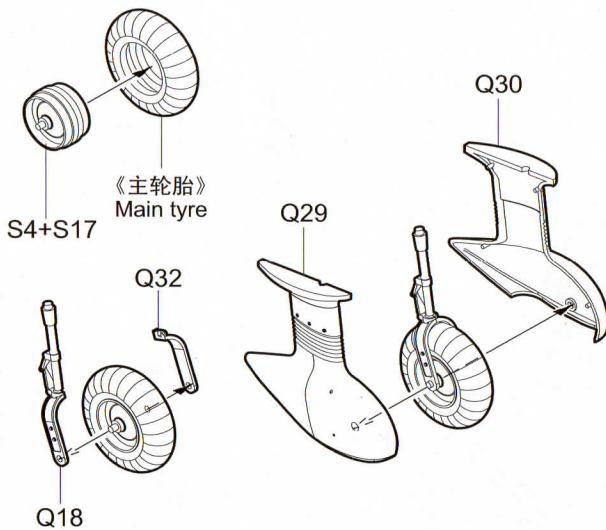
16

《左侧机枪》
Left Machine gun



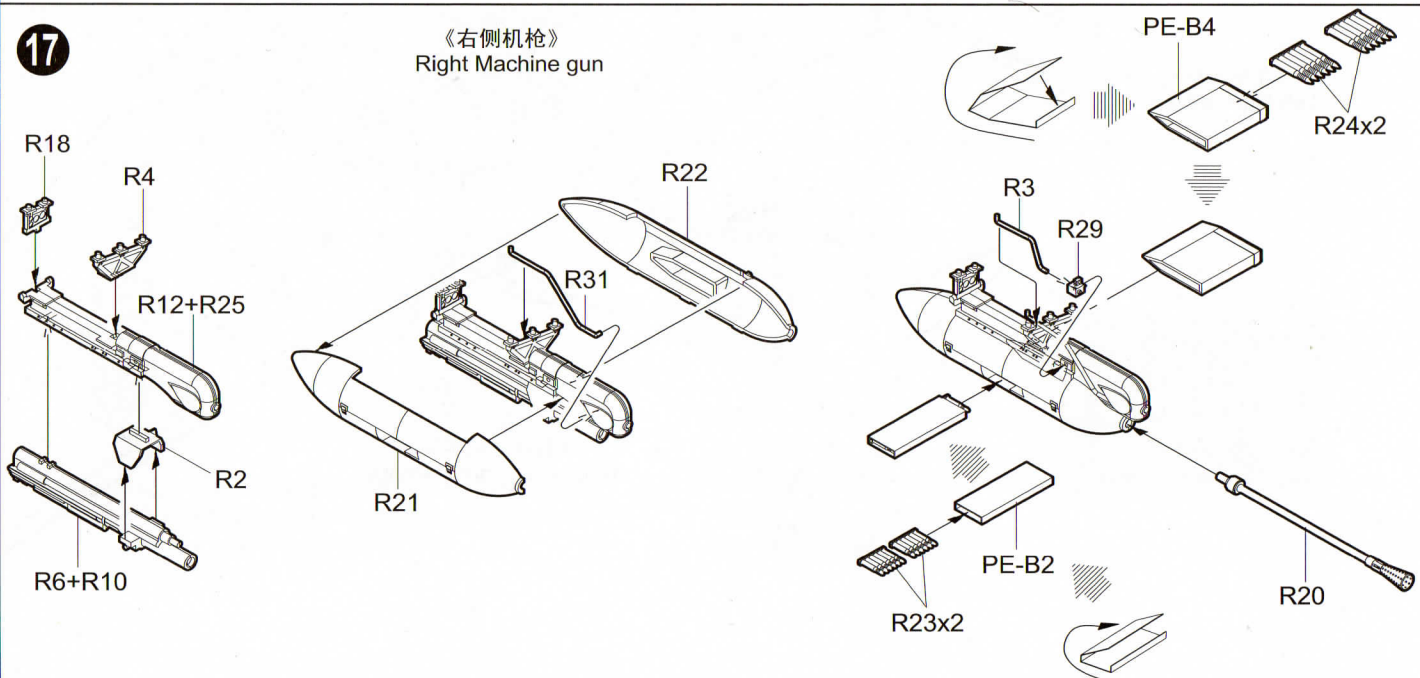
15

《右侧主起落架》
Right main undercarriage



17

《右侧机枪》
Right Machine gun



《左侧主起落架》
Left main undercarriage

《右侧机枪》
Right Machine gun

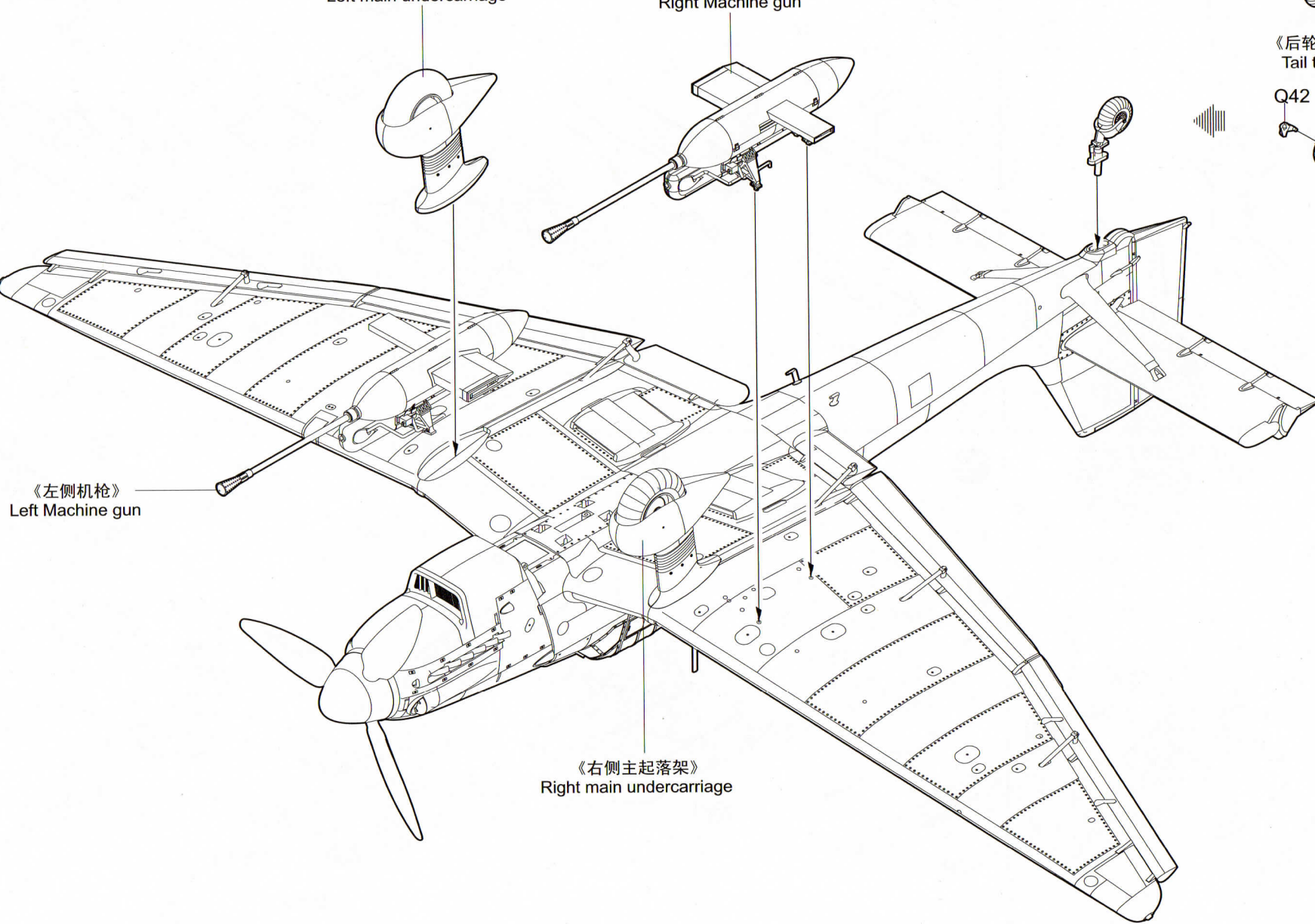
《尾起落架》
Tail undercarriage

《后轮胎》
Tail tyre

Q42

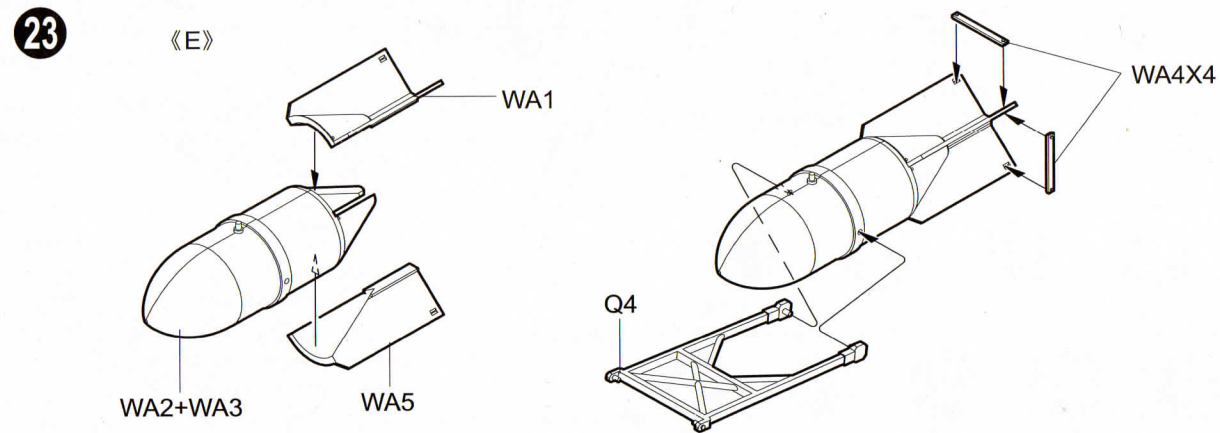
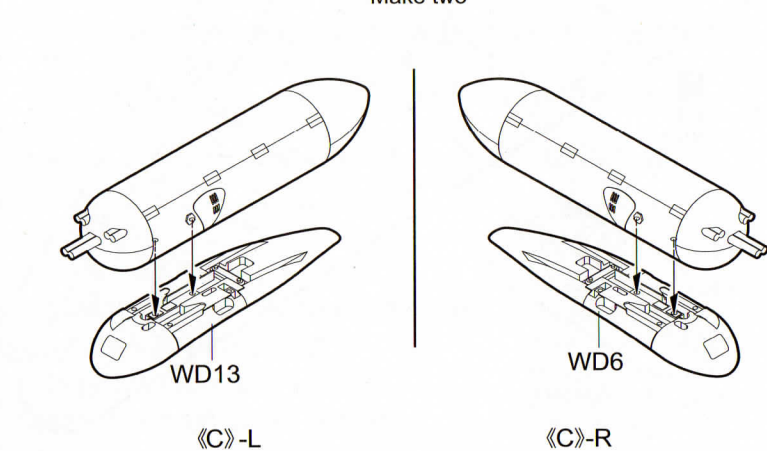
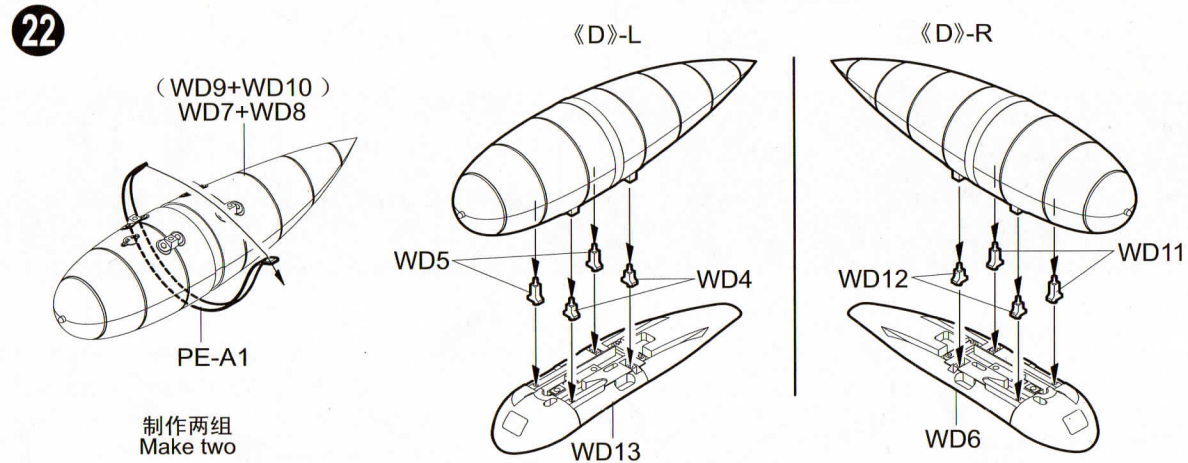
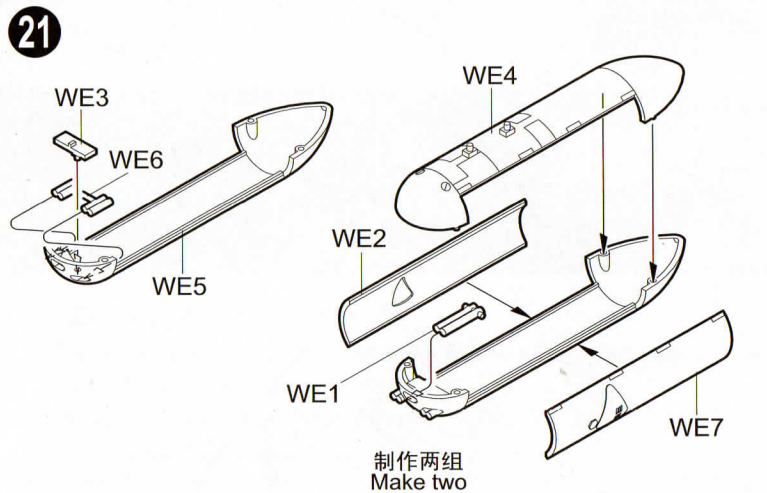
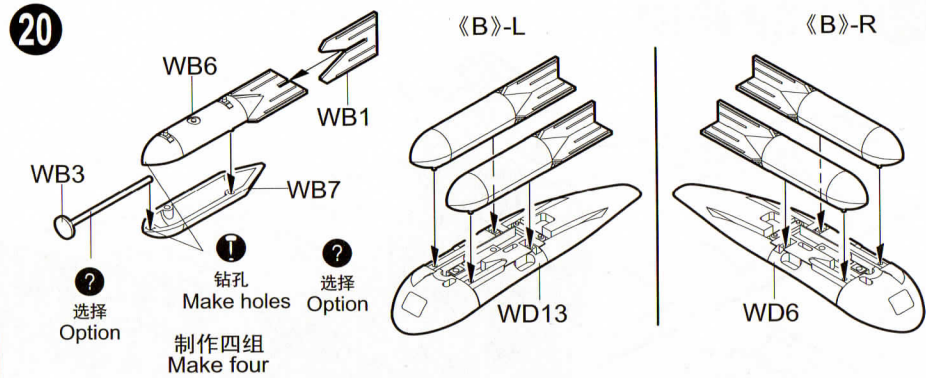
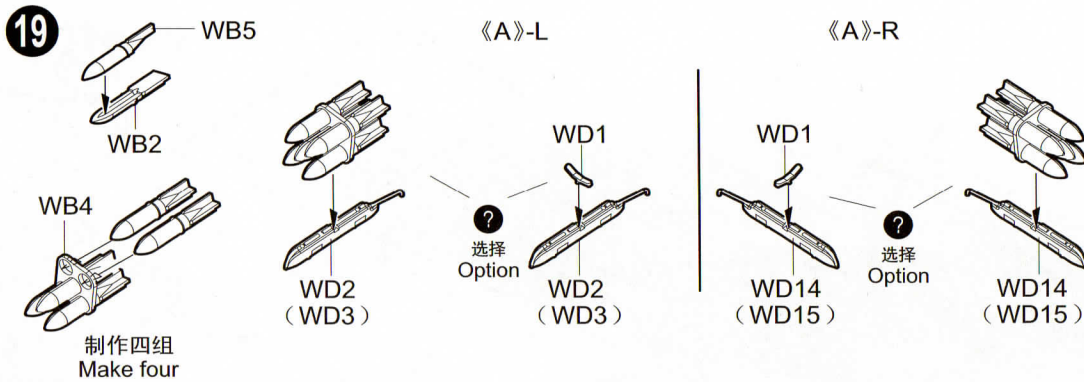
Q43

S12

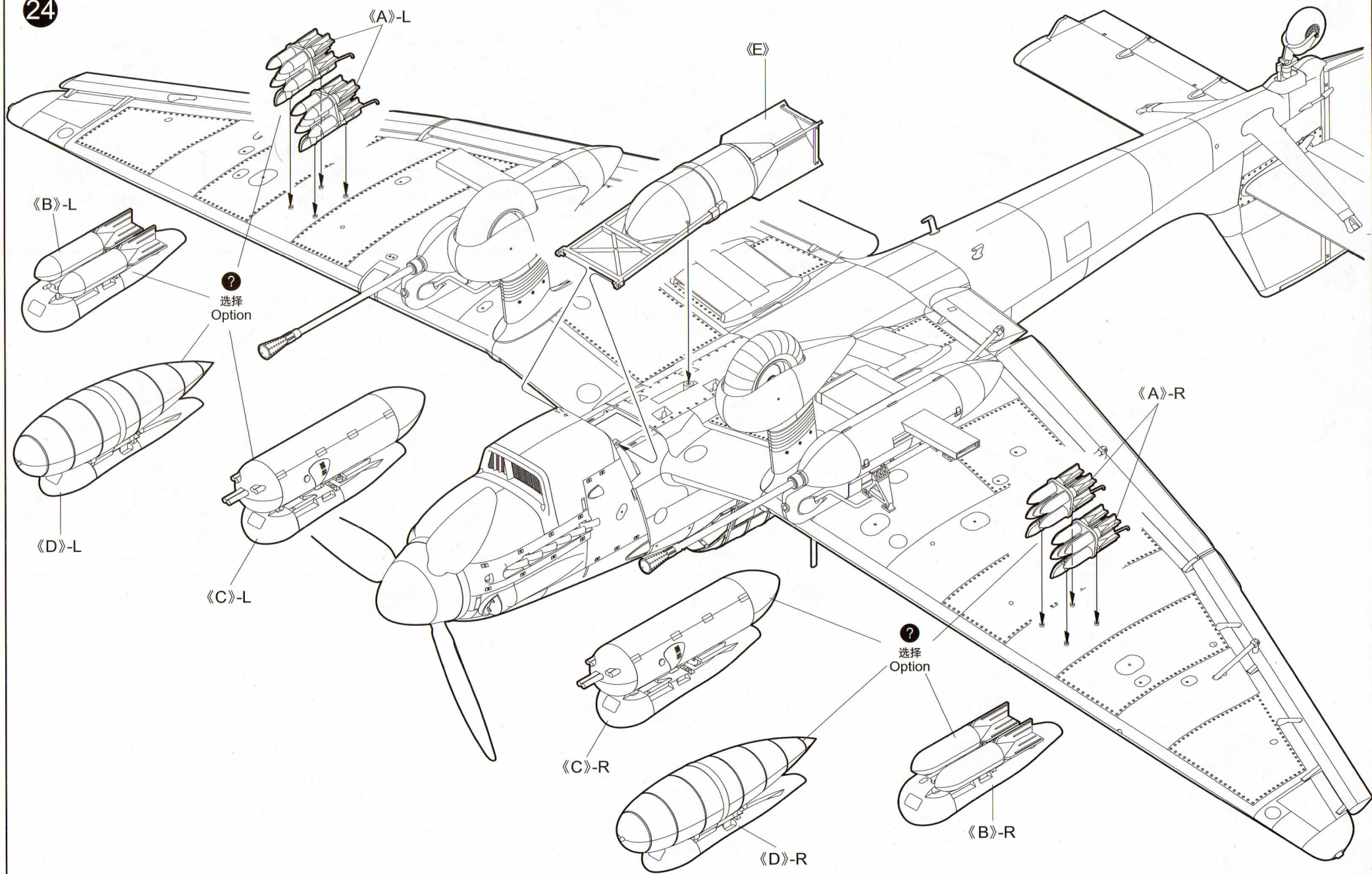


《左侧机枪》
Left Machine gun

《右侧主起落架》
Right main undercarriage



24

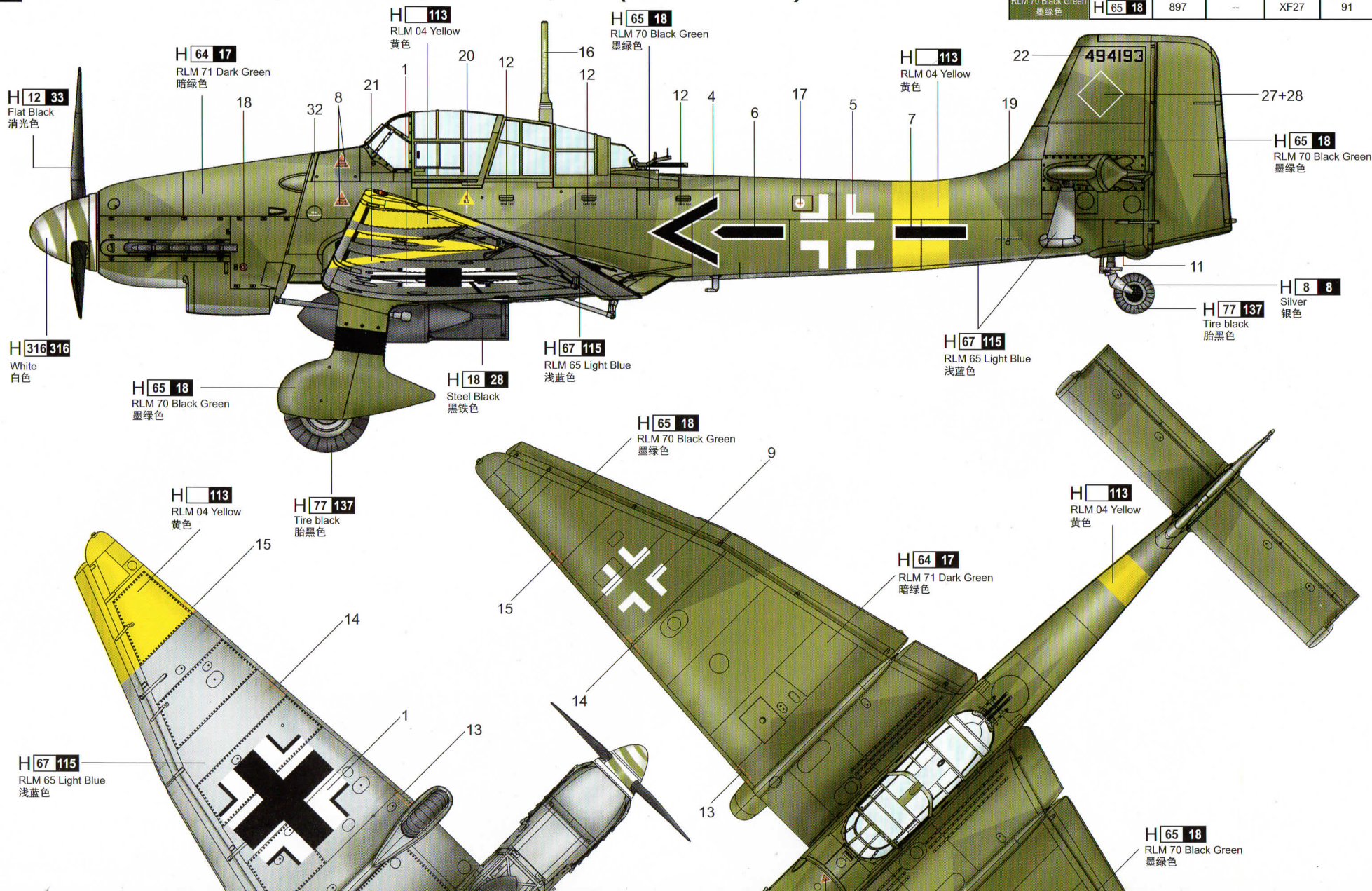


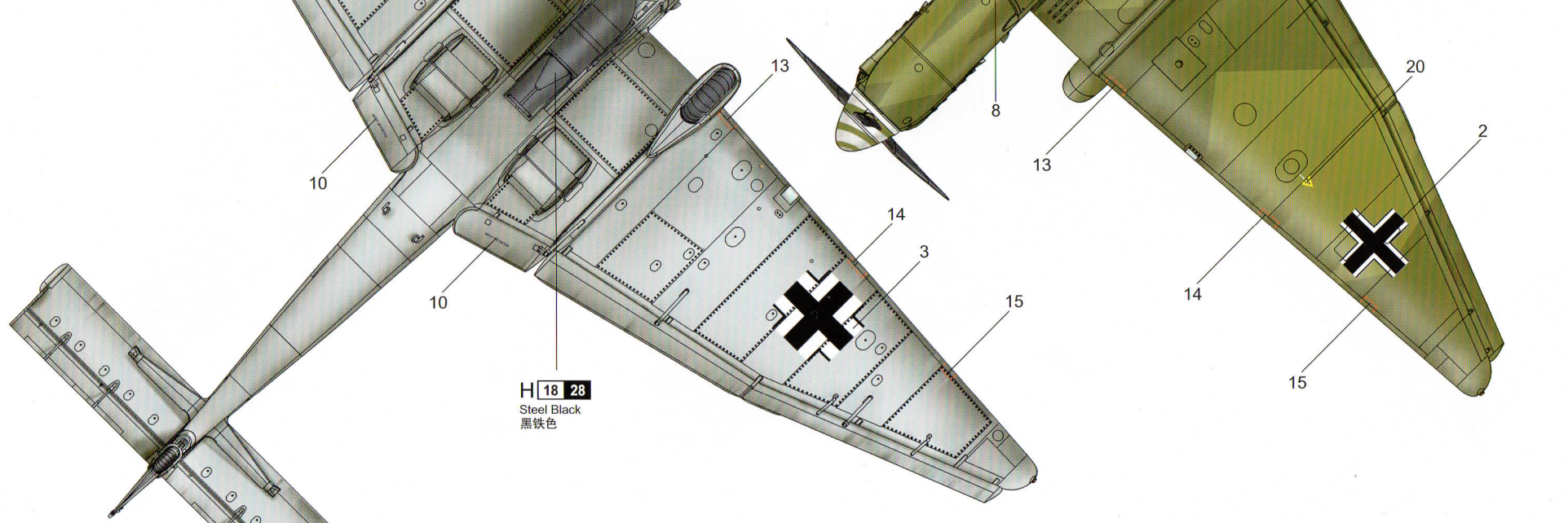
涂装同标贴指示 Painting & Marking guide

A German Air Force, Stab/SG 2, Ju 87G-2, <-+-(W.Nr.494193)

PAINT REFERENCE COLOUR

Color	Mr.Hobby	Vallejo	Model Master	Tamiya	Humbrol
Tire Black 胎黑色	H 77 137	—	—	—	—
Silver 银色	H 8 8	997	1546	X11	11
Flat Black 消光黑	H 12 33	950	1749	XF1	33
RLM 70 Black Green 墨绿色	H 65 18	897	—	XF27	91



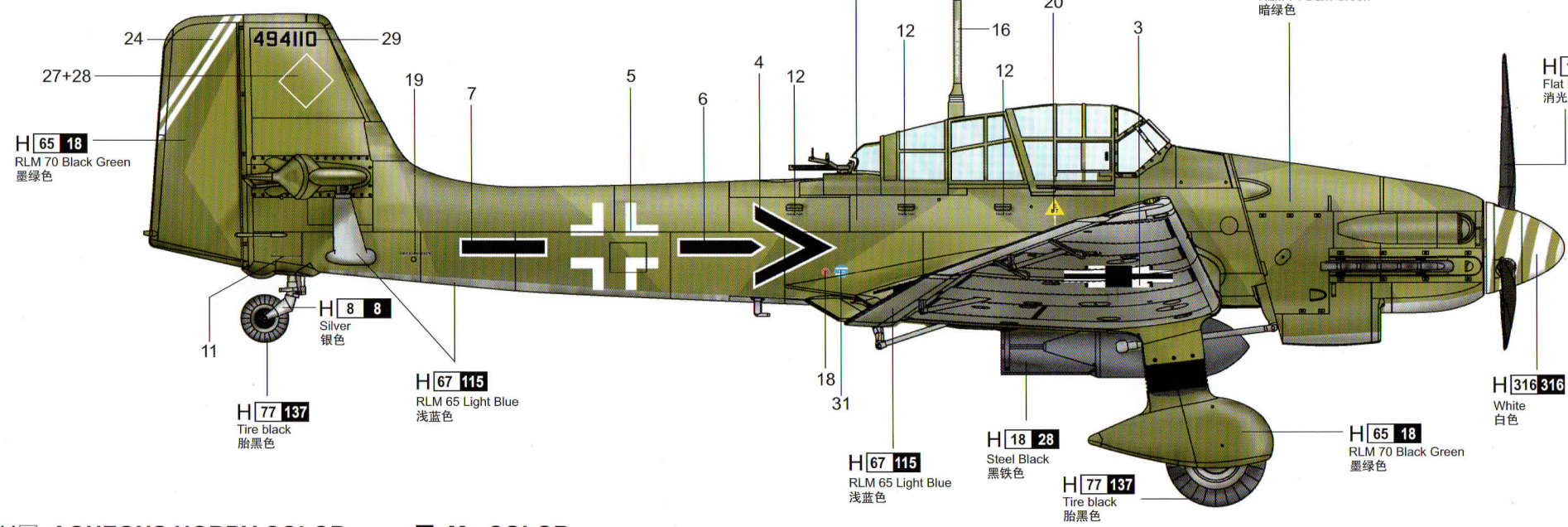


H 18 28
Steel Black
黑铁色

H 65 18
RLM 70 Black Green
墨绿色

H 64 17
RLM 71 Dark Green
暗绿色

H 12 33
Flat Black
消光色



H 65 18
RLM 70 Black Green
墨绿色

H 8 8
Silver
银色

H 77 137
Tire black
胎黑色

H 67 115
RLM 65 Light Blue
浅蓝色

H 67 115
RLM 65 Light Blue
浅蓝色

H 18 28
Steel Black
黑铁色

H 77 137
Tire black
胎黑色

H 65 18
RLM 70 Black Green
墨绿色

H 316 316
White
白色

H X AQUEOUS HOBBY COLOR X Mr. COLOR

03218 1/32 Junkers Ju87G-2 Stuka