

# Russian T-62 Mod.1975 (With KMT-6 Mine Plow)

俄罗斯T-62坦克1975年型带KMT-6扫雷犁

1:35 SCALE

## READ BEFORE ASSEMBLY:

- Study and understand these instructions thoroughly before beginning assembly
- When needed, remove photo-etch parts carefully using a modeling knife or photo etch sprue cutter, being careful not to damage or lose small parts.
- Take extra care in handling photo etch parts in order to avoid injury
- Apply instant cement sparingly to photo etch parts where instructed
- Tools recommended(not included in kit):Plastic and instant cements, sprue cutters,long nose pliers,modeling knife, small files, tweezers, pin vise & scissors. Soft cloth and sandpaper will also assist in construction
- Glue and paint are not included in the kit. Use plastic cement and hobby paints only. Color guide for purchasing paint is included in the kit.

## 装配之前仔细阅读

- 小心用模型锉刀锉平所有零件表面的注射浇口。
- 小心用刀片切下蚀刻片零件，不要遗失小零件。
- 用强力快干胶水粘合蚀刻片零件和金属轴。过量快干胶水使用可能导致可动零件会粘住，小心涂胶。
- 取蚀刻片时应特别注意安全，防止利边划伤手指。
- 某些零件表面需贴上水贴纸，请选择在装配的同时进行。
- 推荐模型工具(自备)：胶水，水口剪刀，长咀钳，刀片，锉刀，镊子，钳，钻，剪刀，瞬间快干胶。
- 软布同砂纸同时也应该是必备工具。
- 请使用塑料胶水和油漆，模型内不含。



配重  
Weight



使用强力胶  
Cyanoacrylate glue



钻孔  
Make hole



切除  
Cut / Remove



贴纸  
Decal



锉平  
File / Sand



选择  
Option



不涂胶水  
No cement



弯曲  
Bend

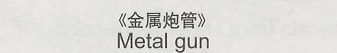
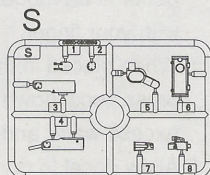
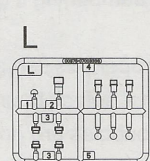
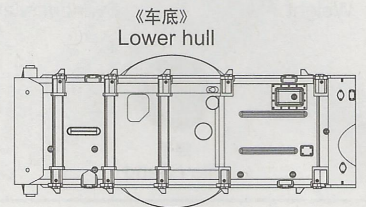
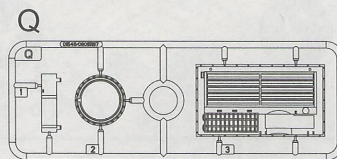
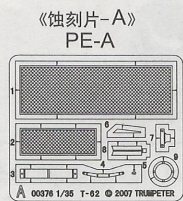
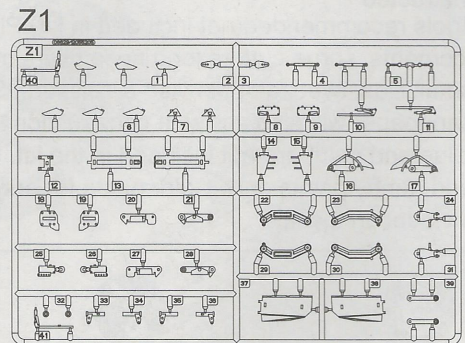
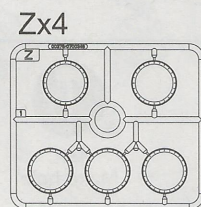
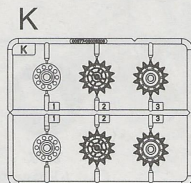
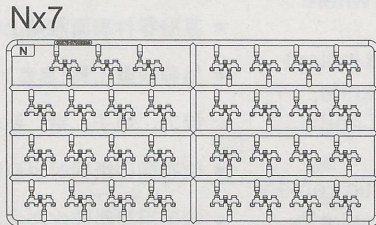
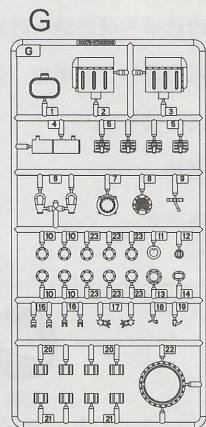
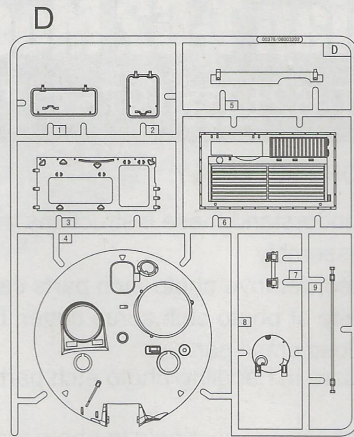
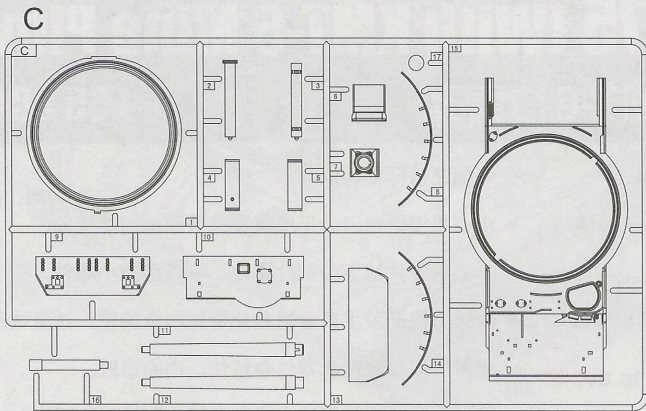
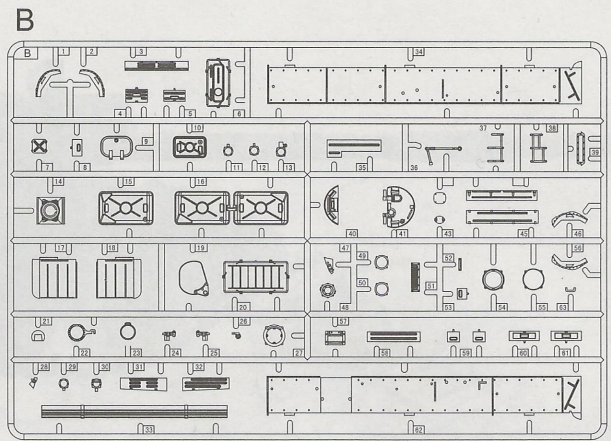
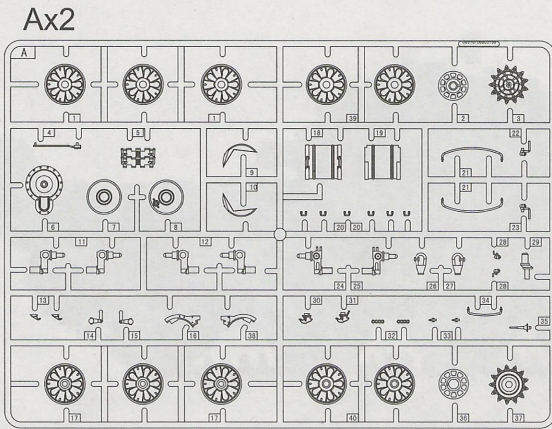
## 水贴纸的使用:

- 1.从水贴上剪下印花;
- 2.将印花放入温水中浸10秒, 然后放在干净布上。
- 3.拿着印花纸板将印花移到模型上;
- 4.手指蘸水将印花移到适当的位置;
- 5.用软布轻压印花直至水干, 汽泡消失

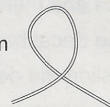
## DECAL APPLICATION

- 1.Cut decals from sheet as needed
- 2.Dip the decal in warm water for about 10 seconds and then place on soft clean cloth.
- 3.Hold the decal backing sheet edge and gently slide the decal onto the model in its proper position.
- 4.While still wet,decal can be adjusted for better fit on model by dampening it gently with your finger.
- 5.When placed in the proper position,gently press decal down with a soft cloth until excess water and air bubbles are gone.
- 6.Allow decal to dry completely before handling model

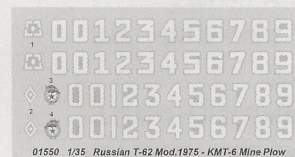
部品图 Parts



《铜线》 Ø 0.8x250mm  
Brass Wire



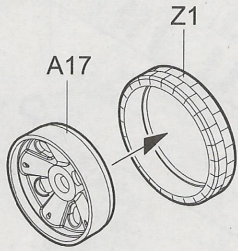
水贴  
Decal



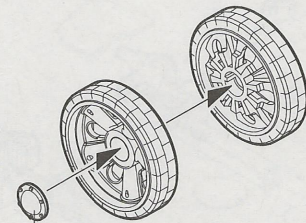
1

《负重轮》  
Road wheel

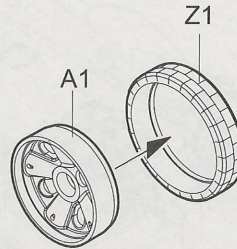
《诱导轮》  
Idler wheel



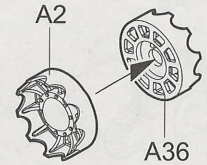
制作6组  
Make six



《A-A》  
制作6组  
Make six



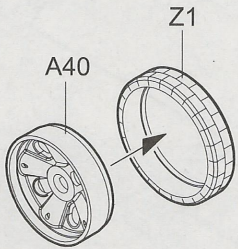
制作6组  
Make six



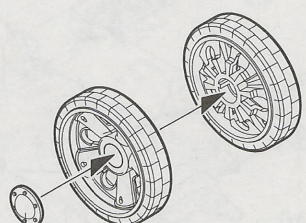
制作2组  
Make two

《负重轮》  
Road wheel

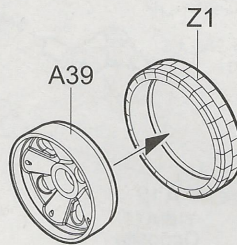
《主动轮》  
Dirve sprocket



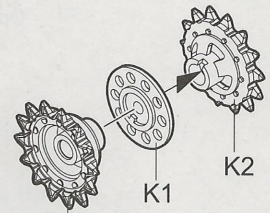
制作4组  
Make four



《B-B》  
制作4组  
Make four

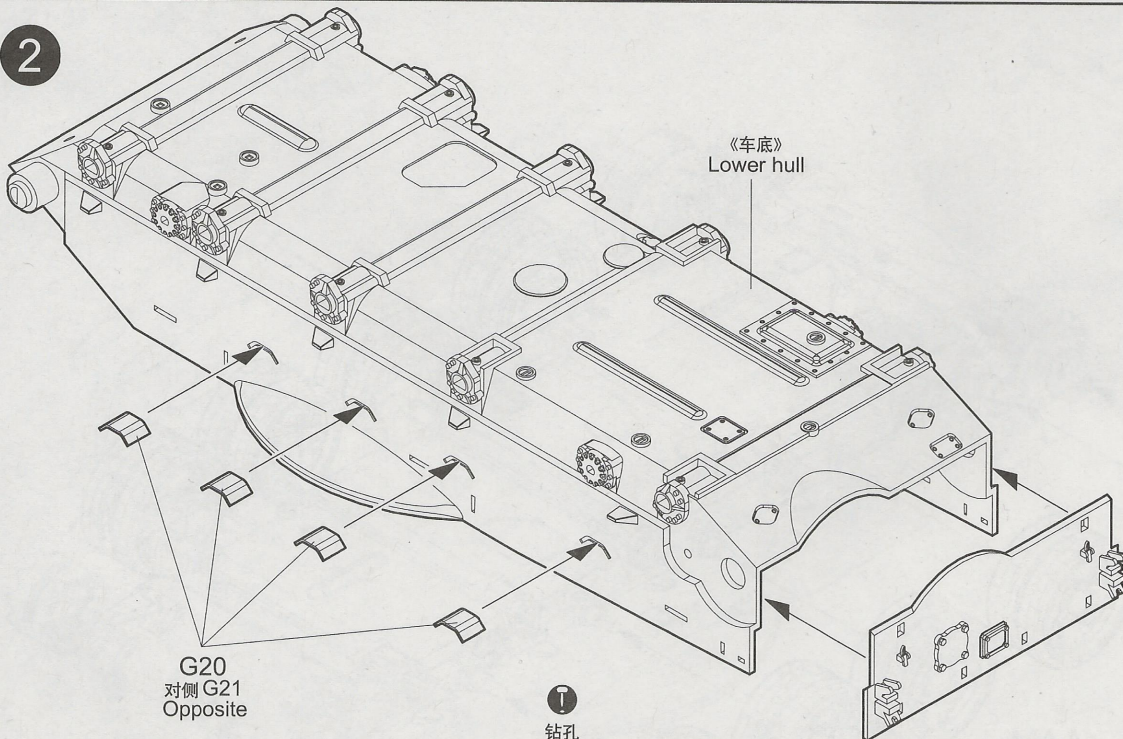


制作4组  
Make four



制作2组  
Make two

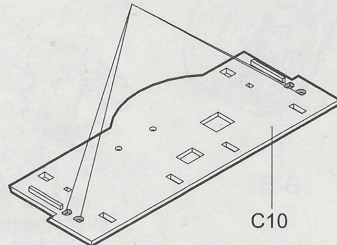
2



《车底》  
Lower hull

G20  
对侧 G21  
Opposite

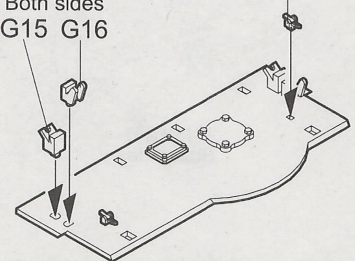
①  
钻孔  
Make hole



C10

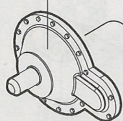
《对侧相同》  
Both sides  
G15 G16

《对侧相同》  
Both sides  
A33



3

《对侧相同》  
Both sides  
A6



A24  
对侧A25  
Opposite



A14  
对侧A15  
Opposite



A12  
对侧A11  
Opposite



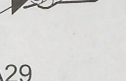
A15  
对侧A14  
Opposite



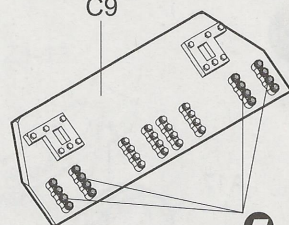
A25  
对侧A24  
Opposite



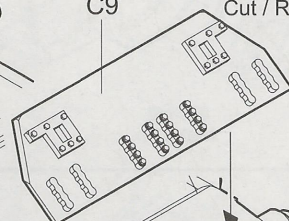
A29  
《对侧相同》  
Both sides



C9

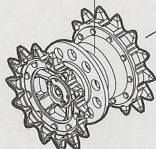


C9

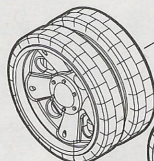


切除  
Cut / Remove

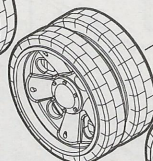
《主动轮》  
Drive sprocket



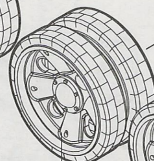
《B-B》



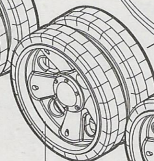
《A-A》



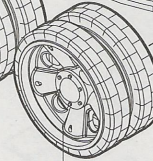
《A-A》



《A-A》

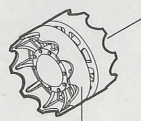


《B-B》



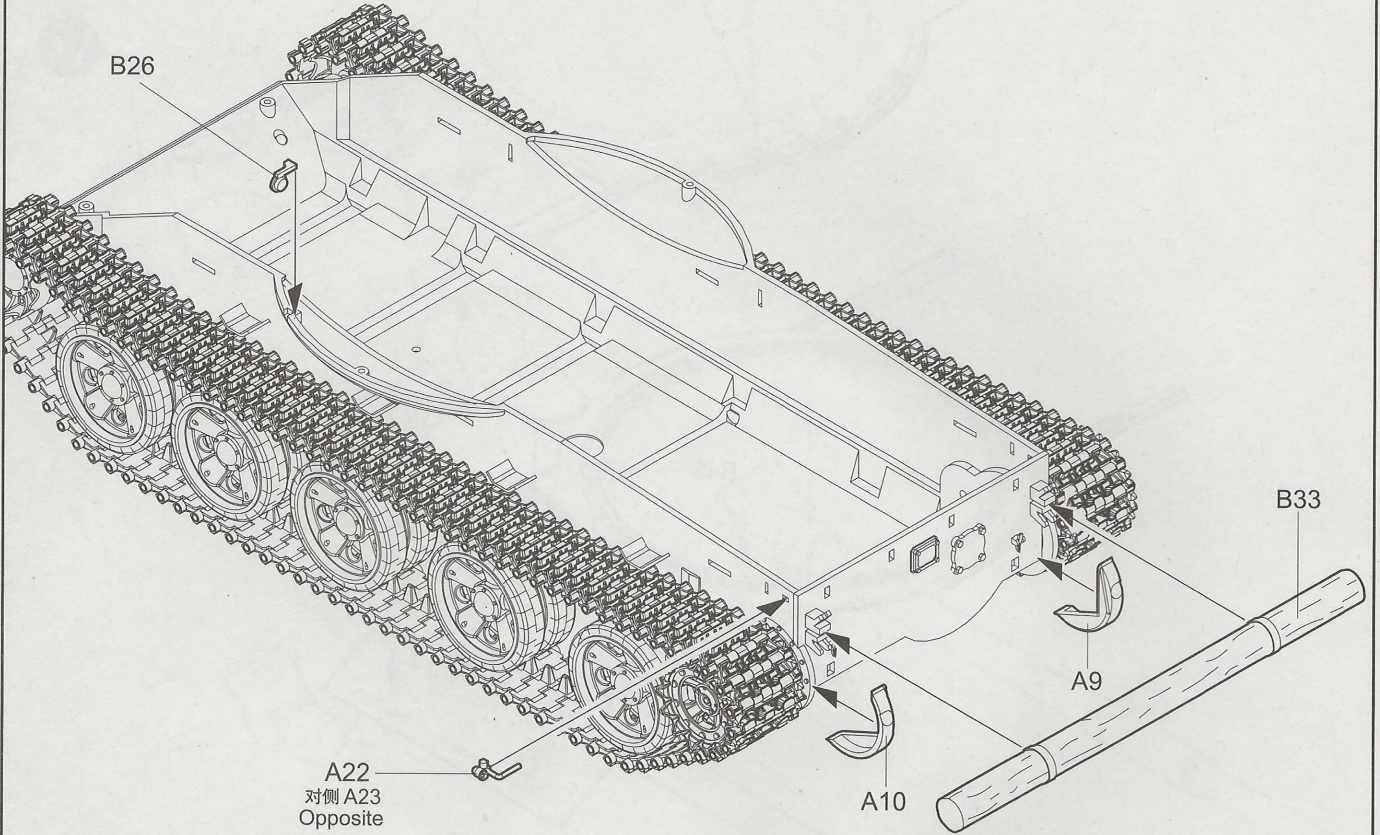
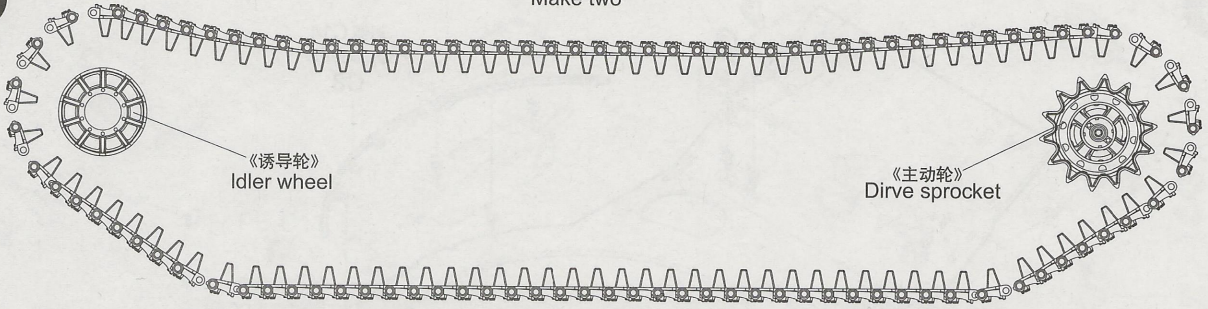
《对侧相同》  
Both sides

《诱导轮》  
Idler wheel



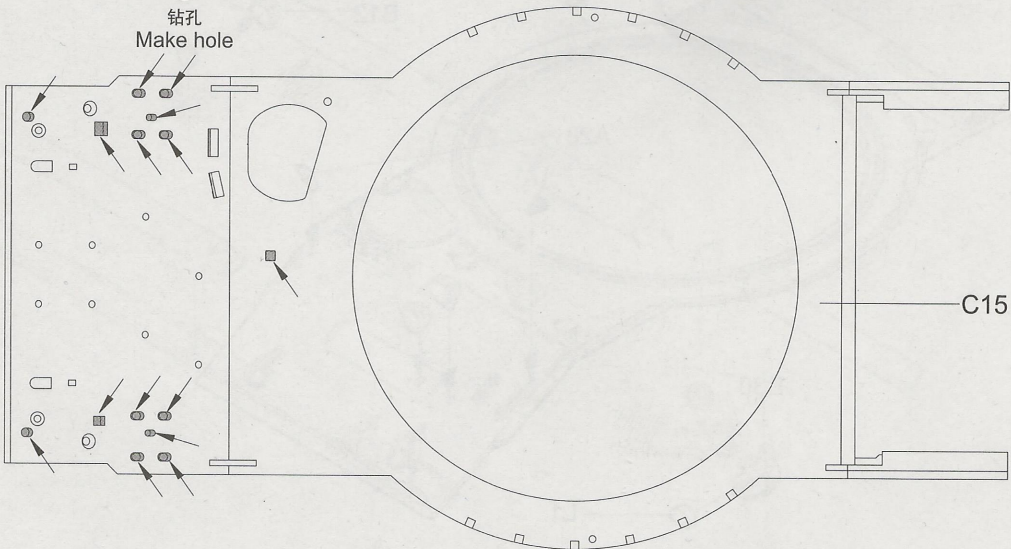
4

《制作2组》  
Make two

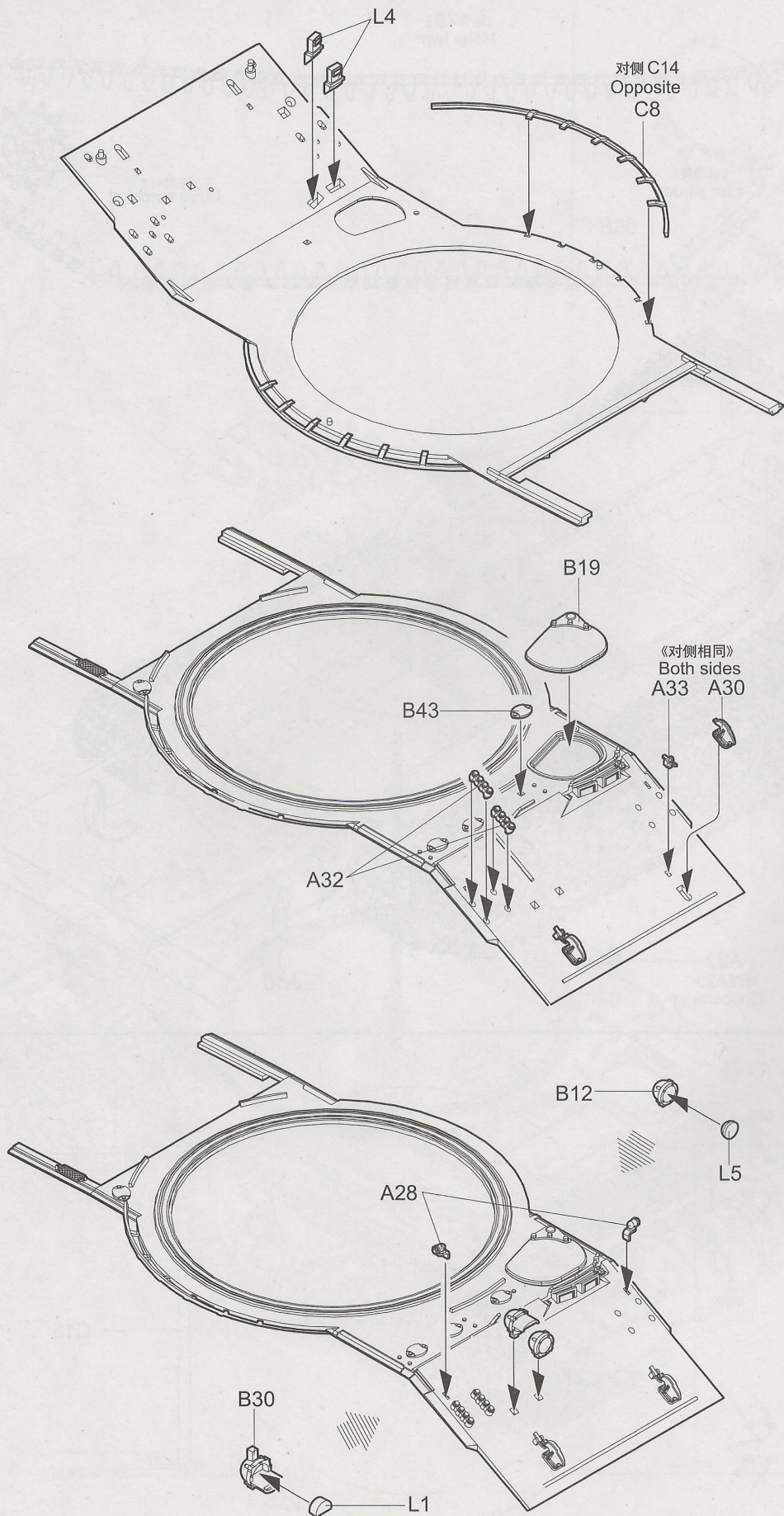


5

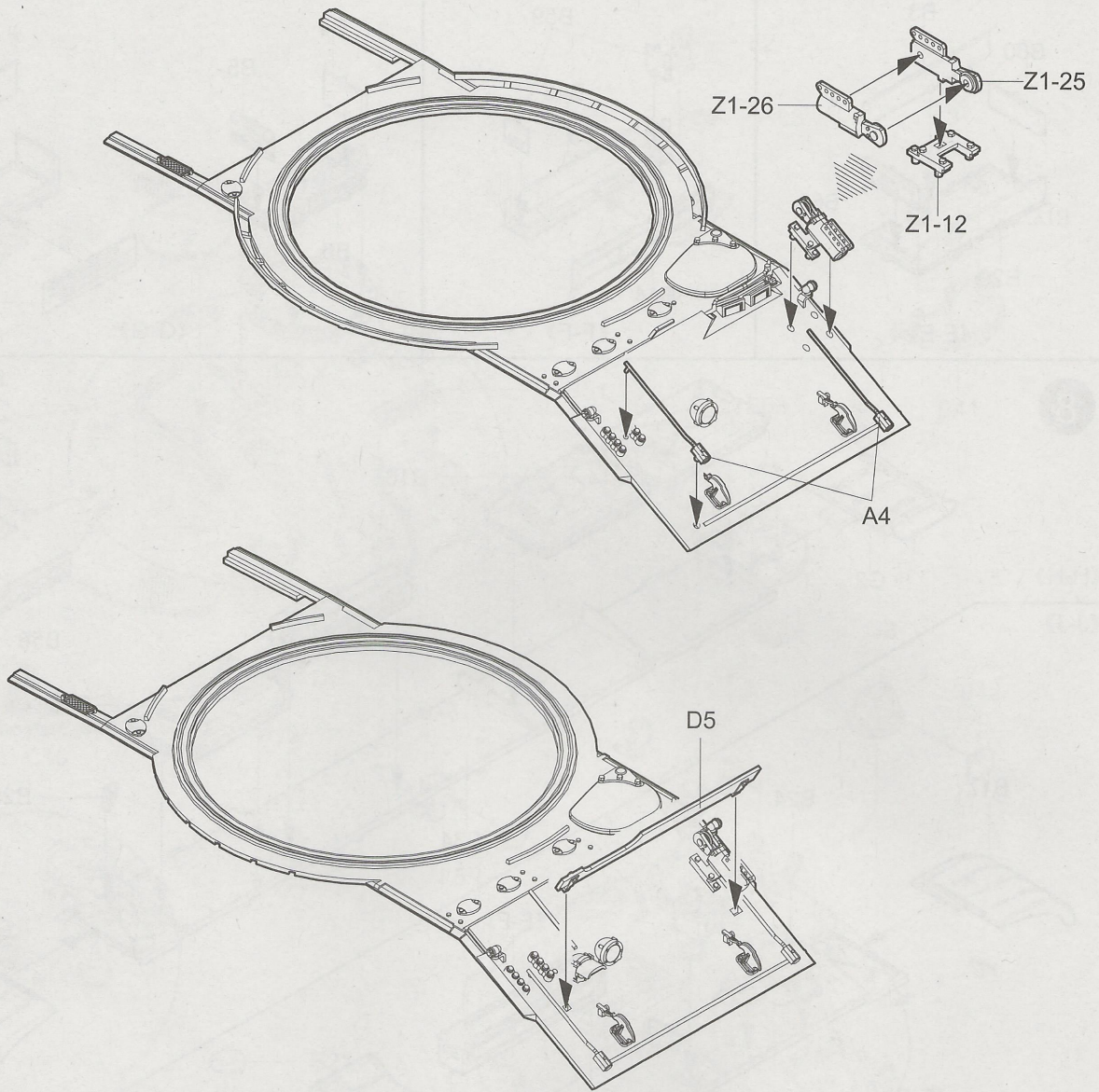
⚠  
钻孔  
Make hole



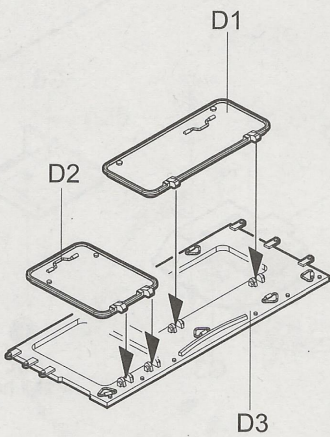
6



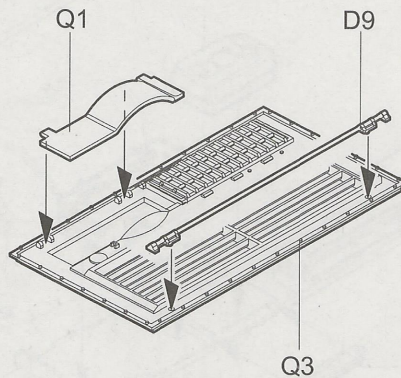
7



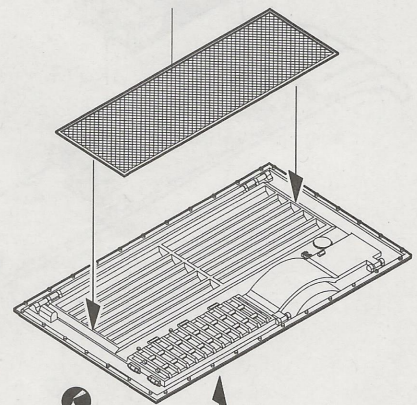
《C-C》



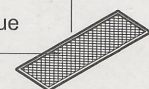
《D-D》

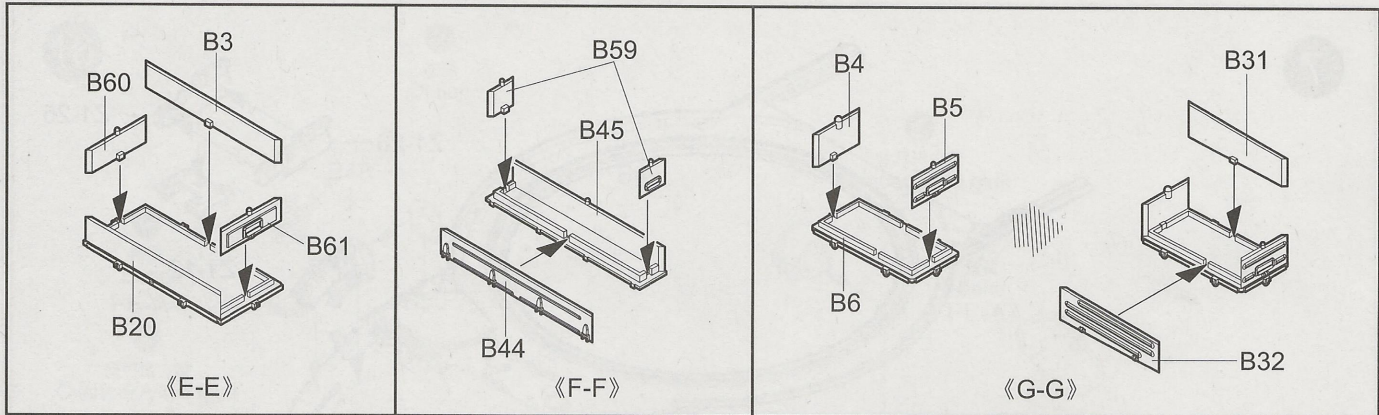


6  
使用强力胶  
Cyanoacrylate glue  
PE-A1

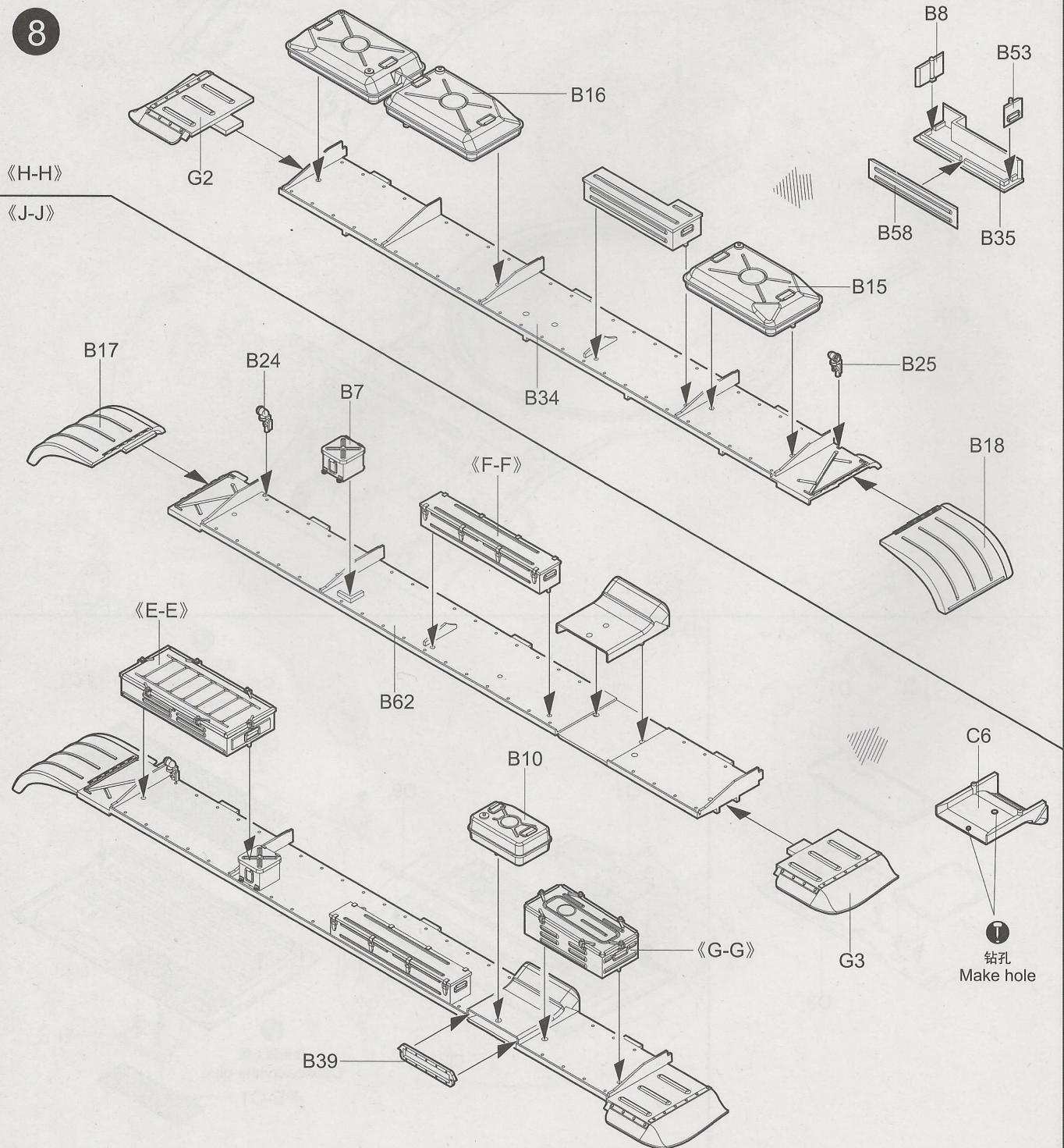


6  
使用强力胶  
Cyanoacrylate glue  
PE-C1

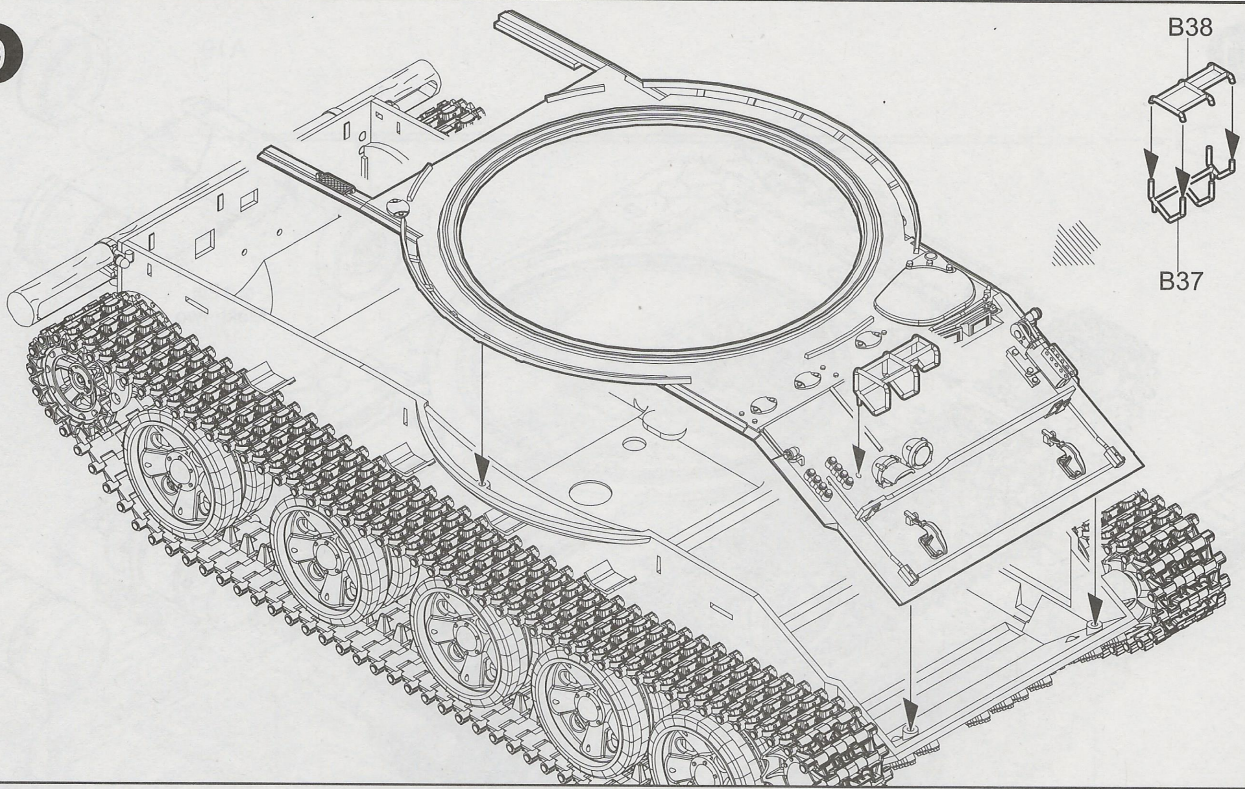




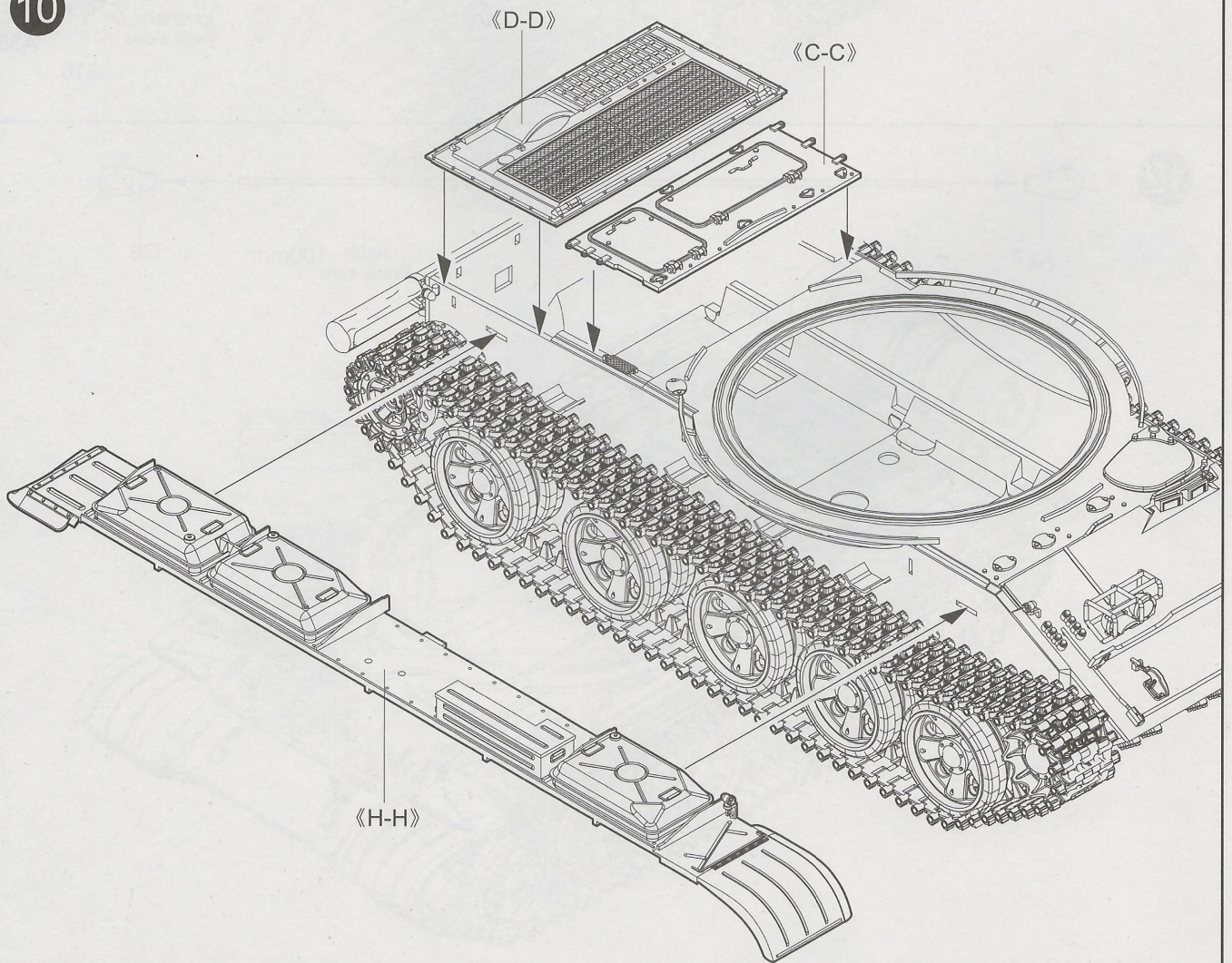
8



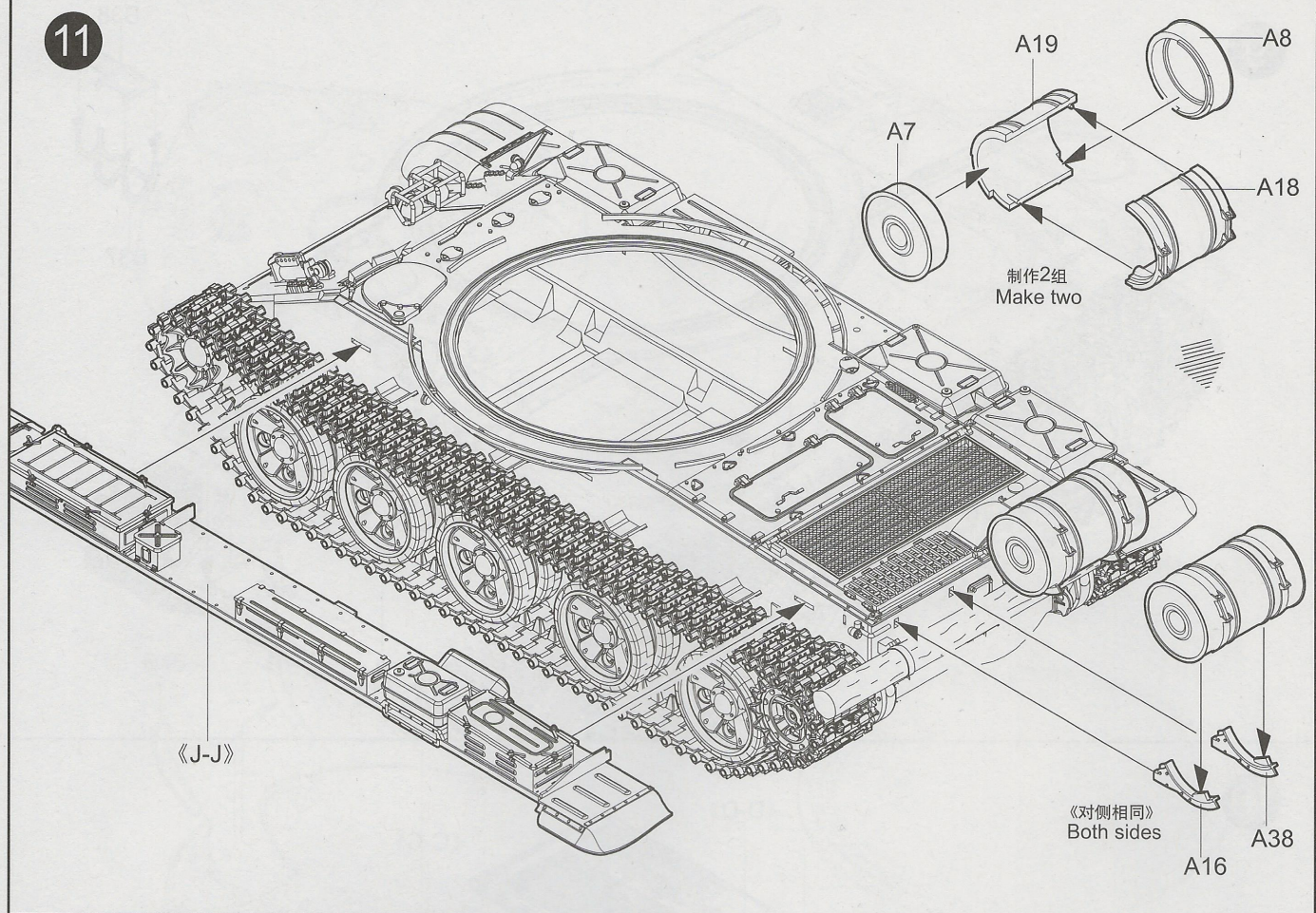
9



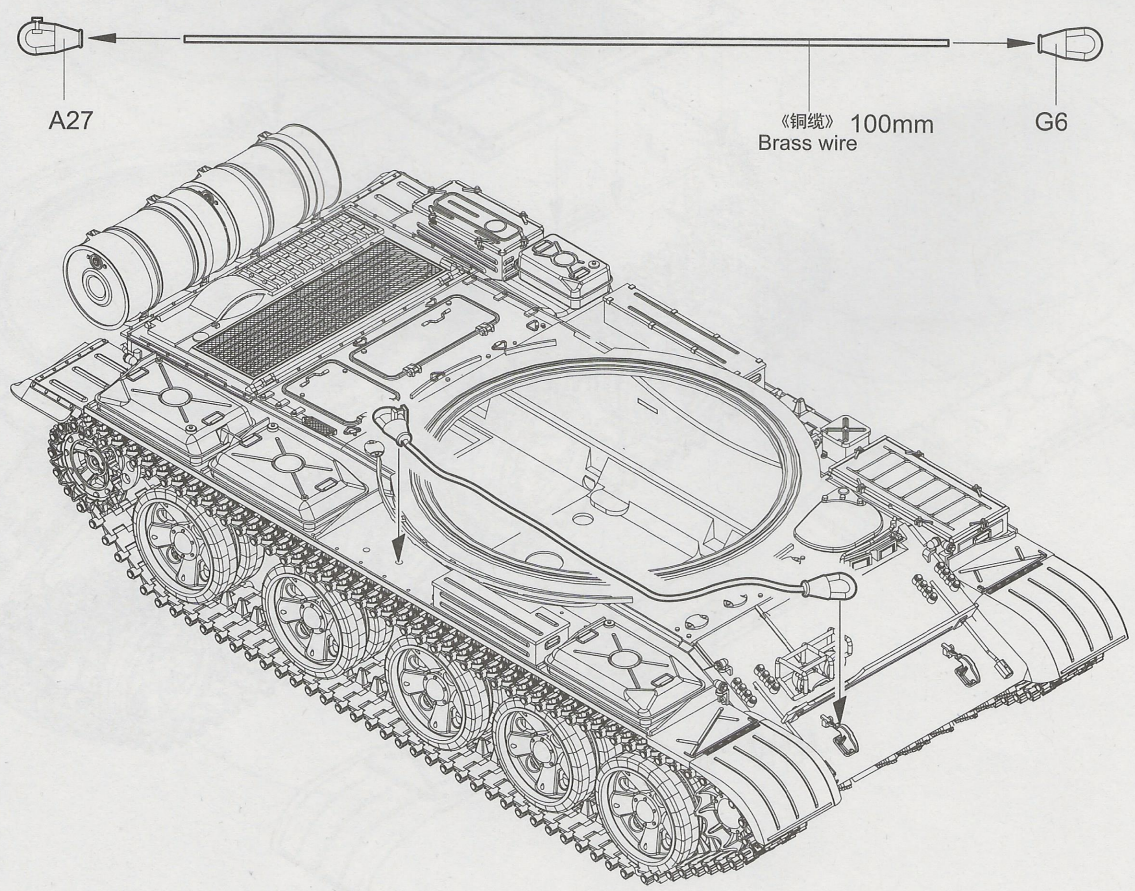
10



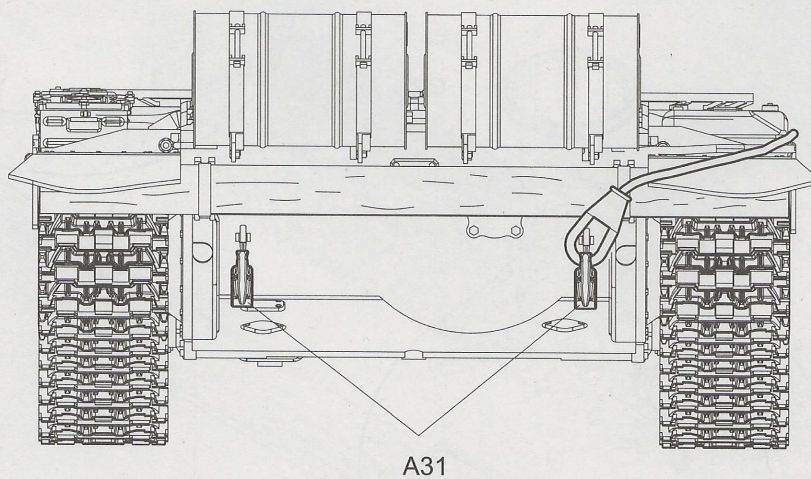
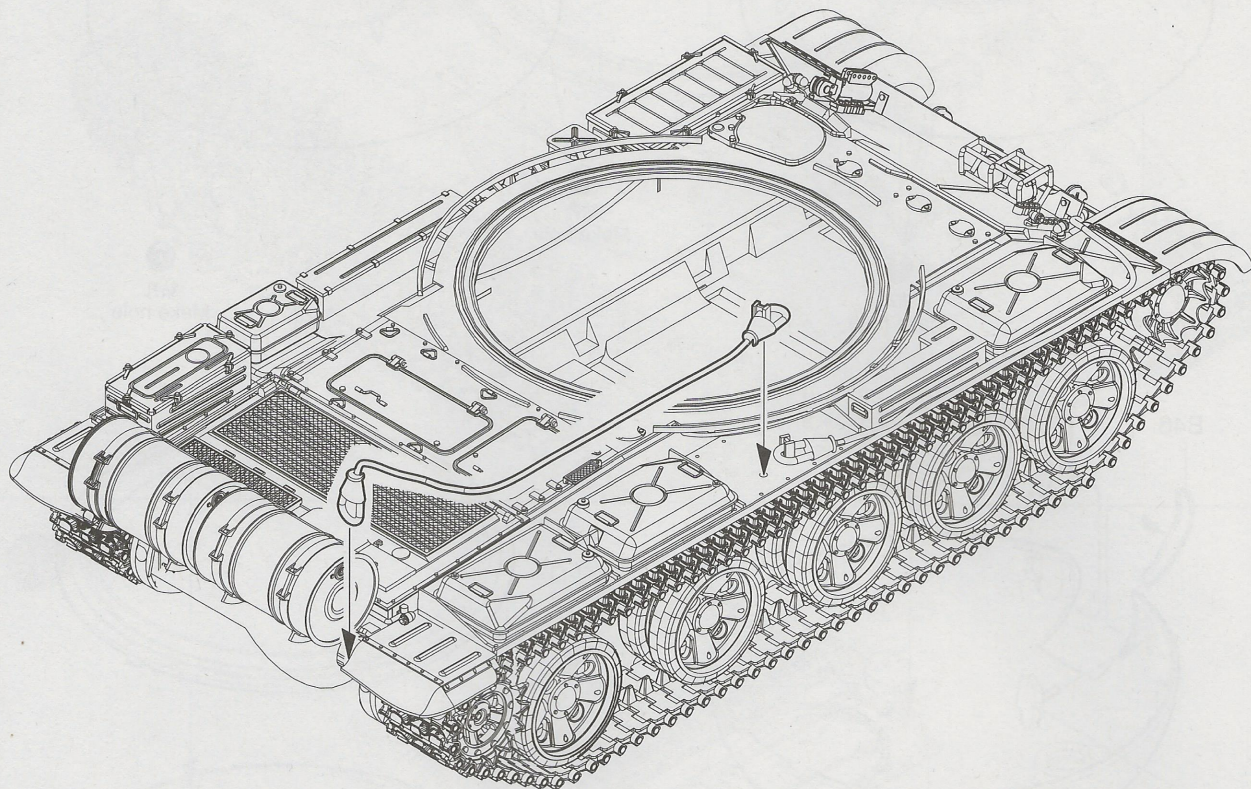
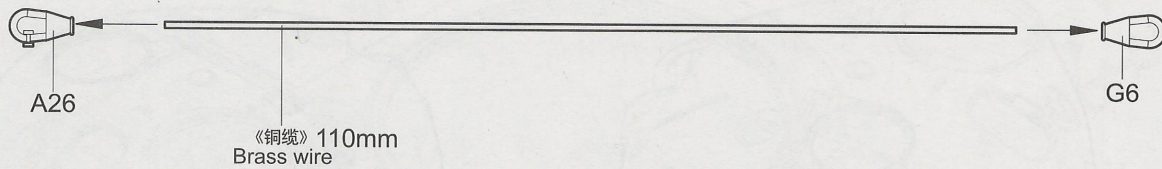
11

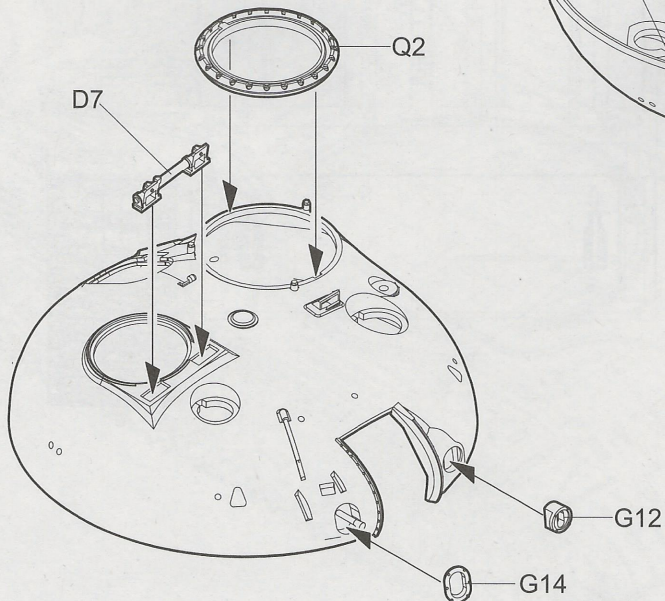
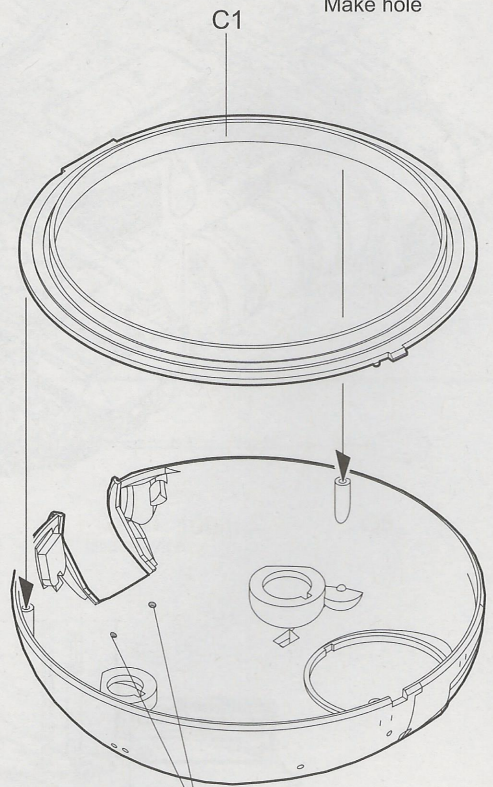
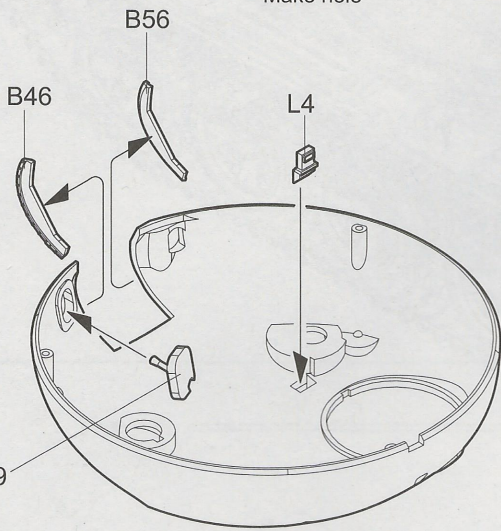
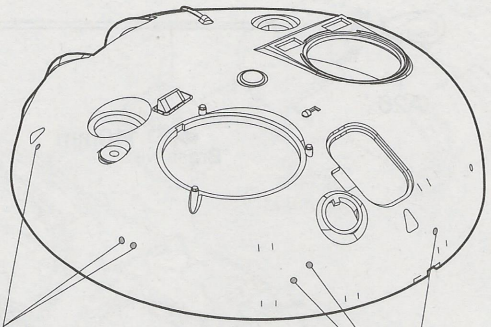
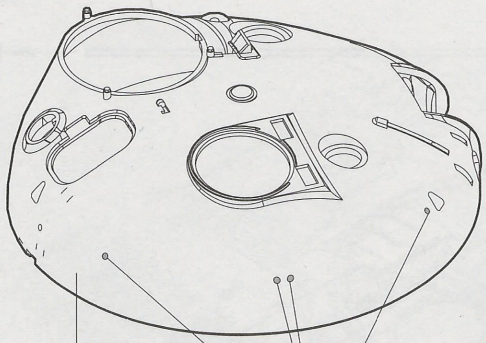


12

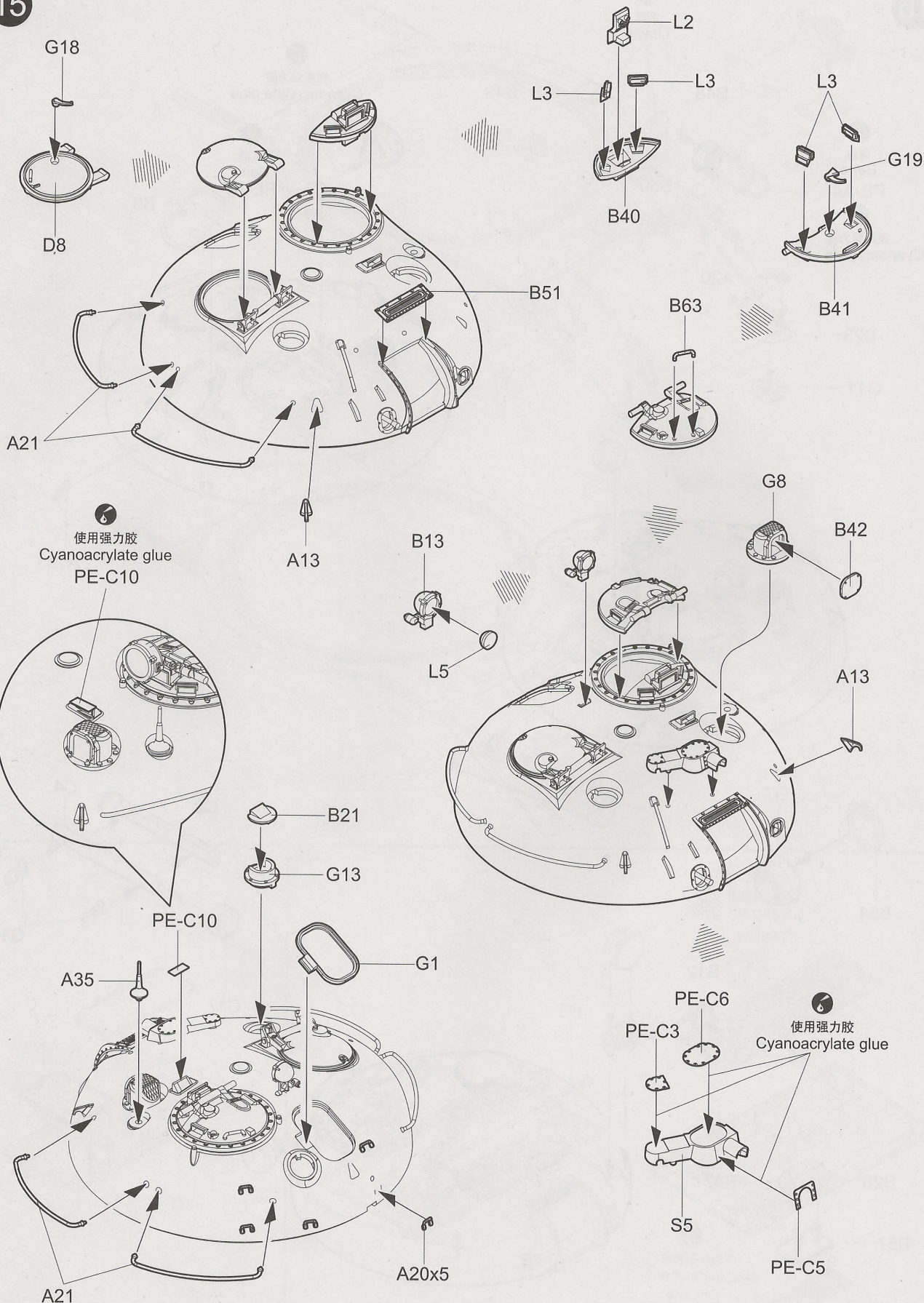


13





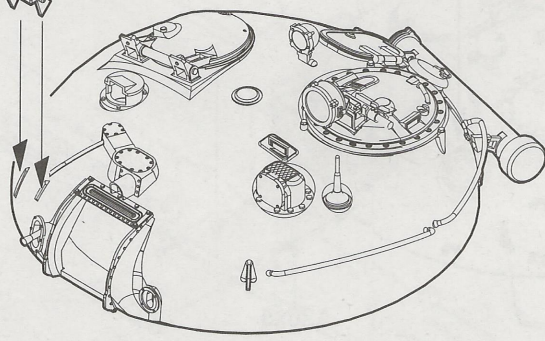
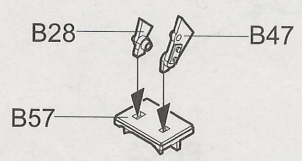
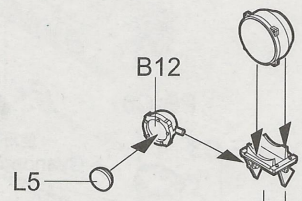
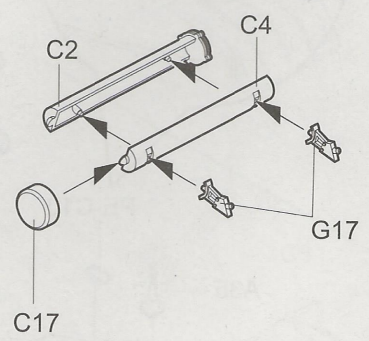
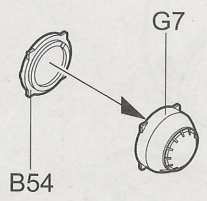
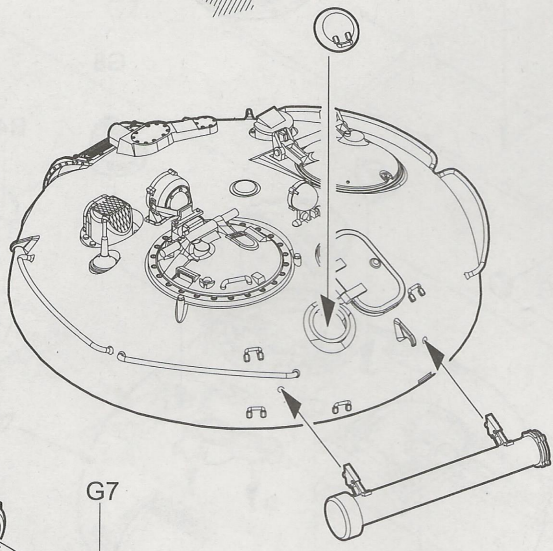
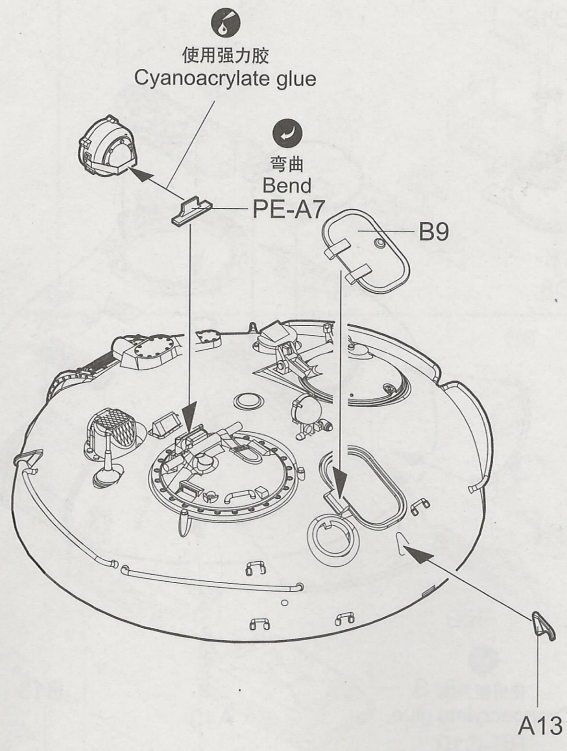
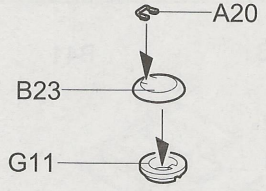
15

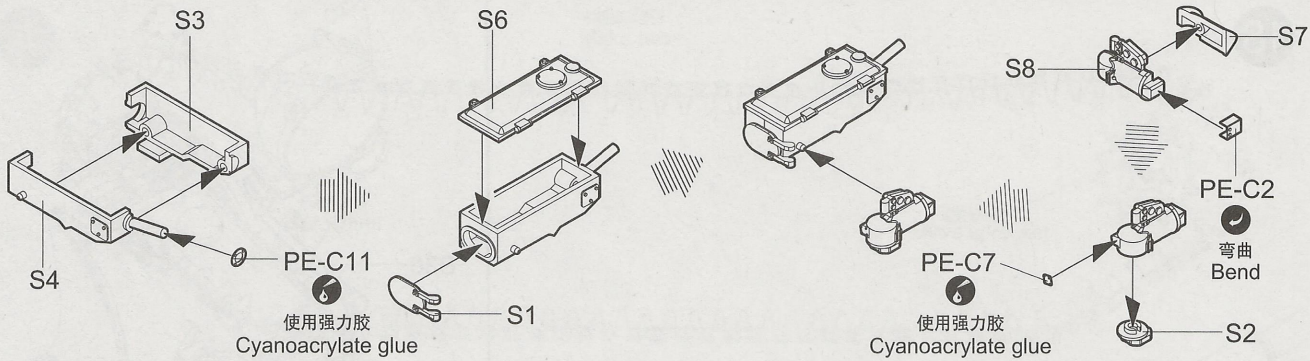


选择  
Option

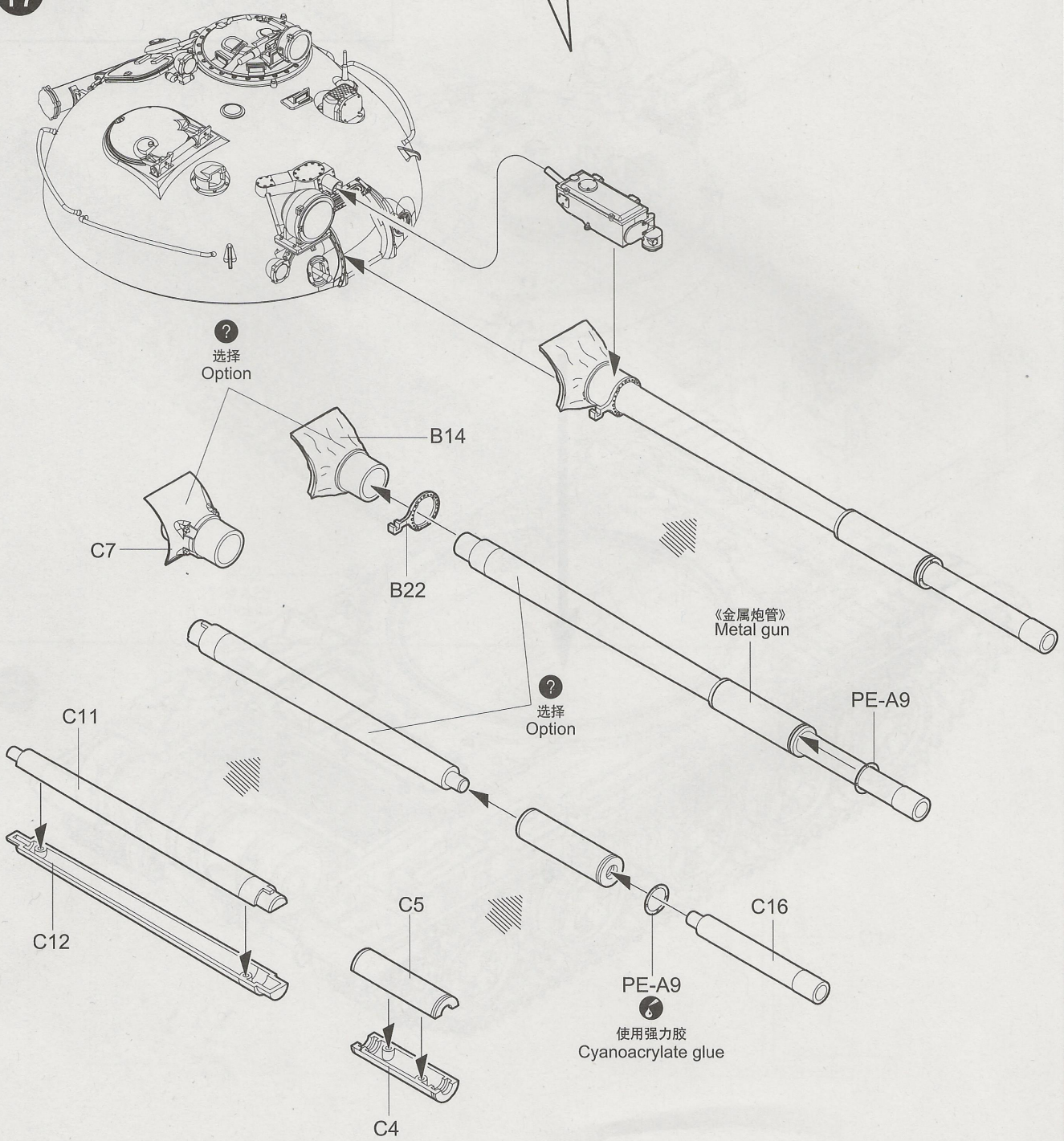
弯曲  
Bend  
PE-A4  
使用强力胶  
Cyanoacrylate glue

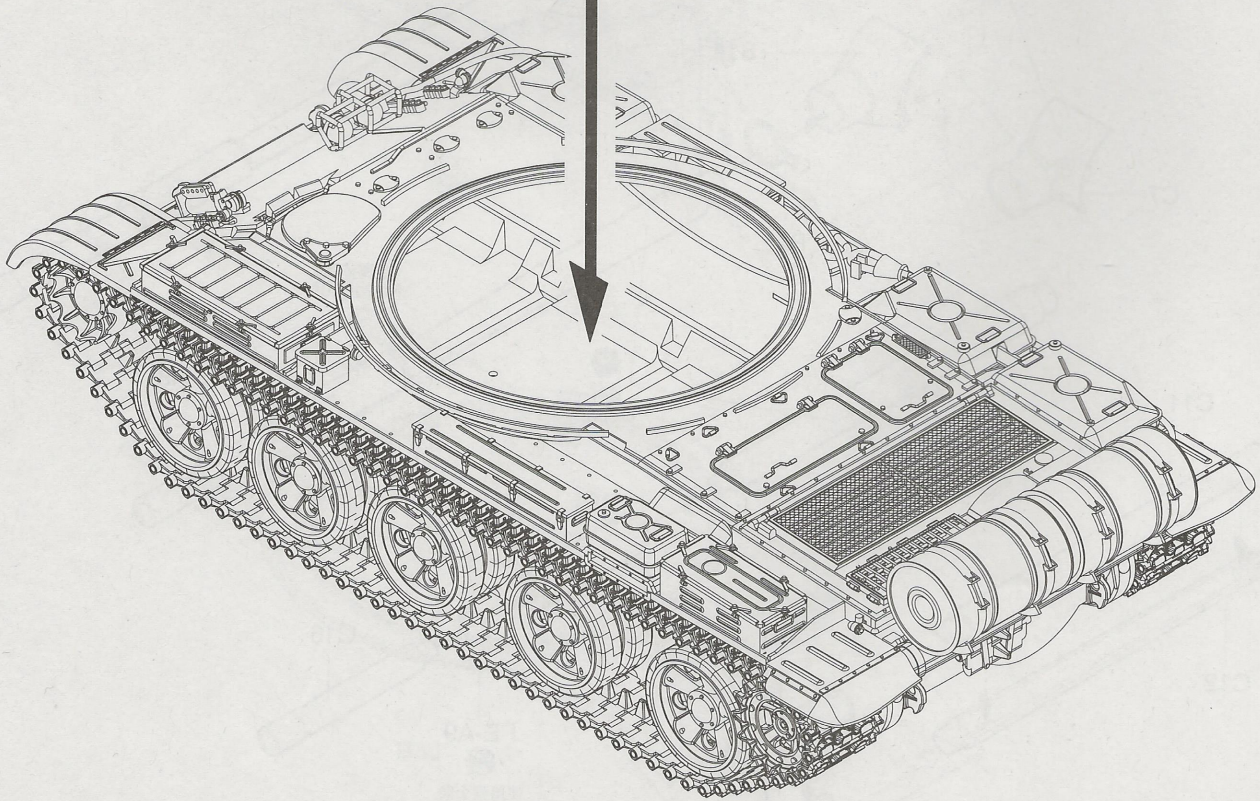
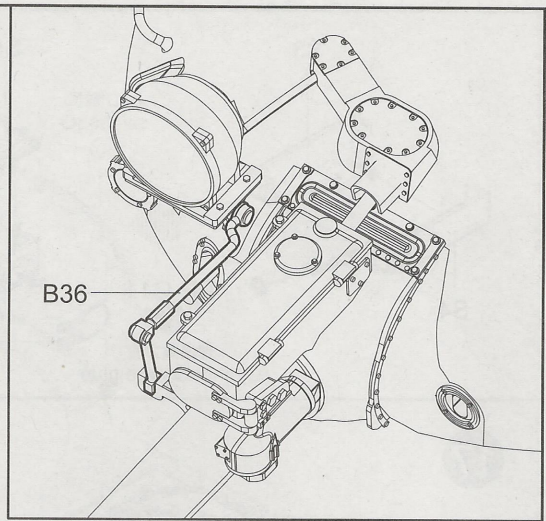
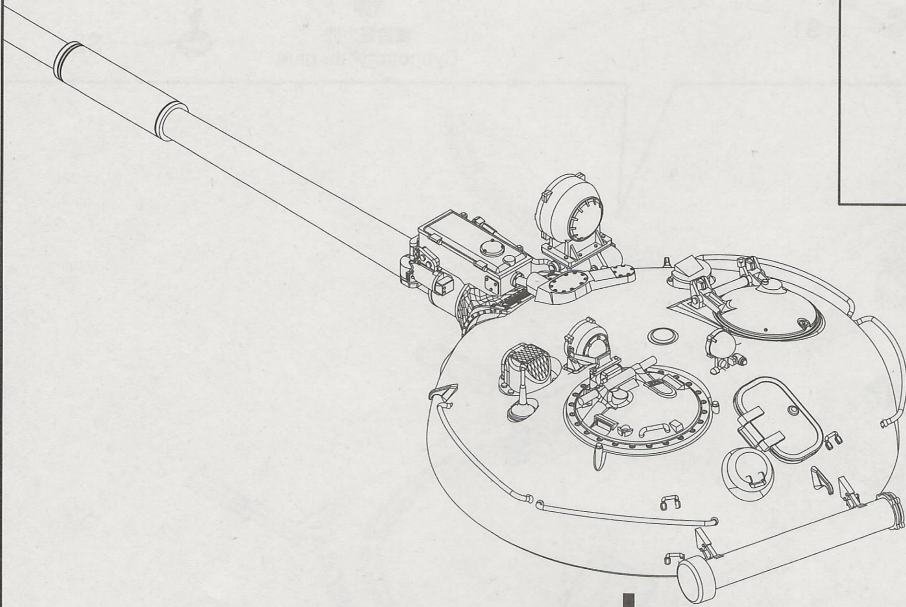
使用强力胶  
Cyanoacrylate glue  
弯曲  
Bend  
PE-A7





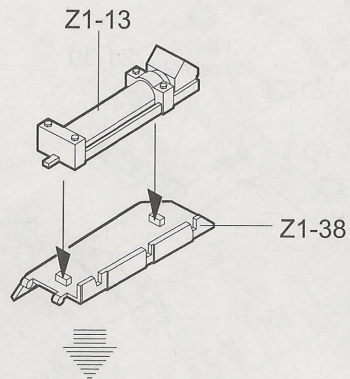
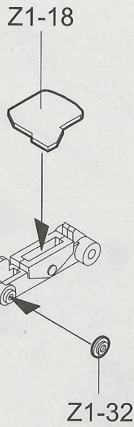
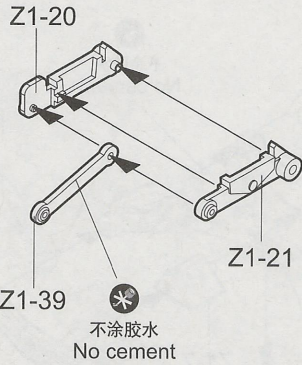
17



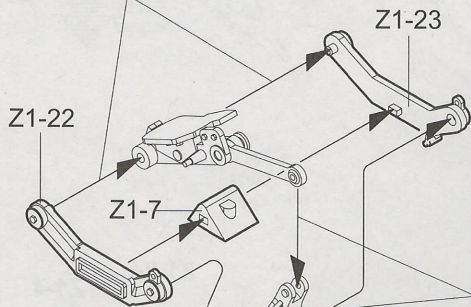




20



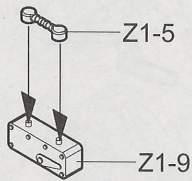
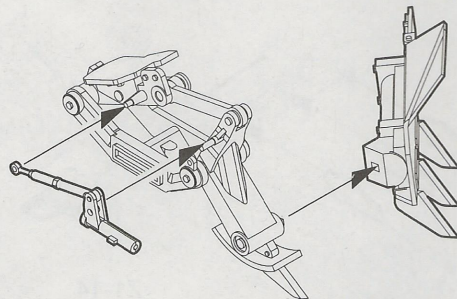
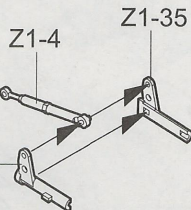
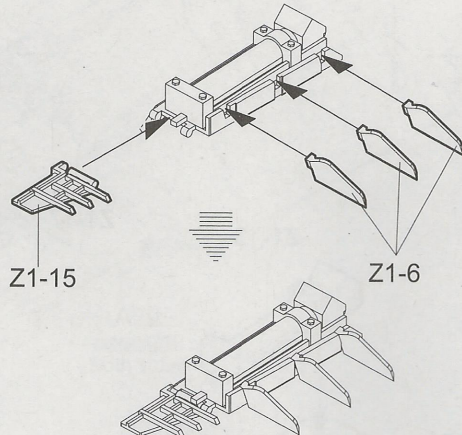
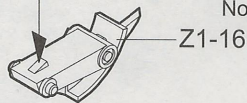
不涂胶水  
No cement



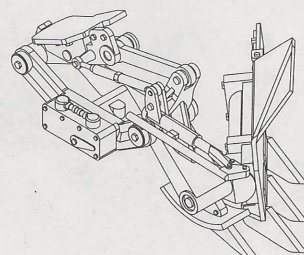
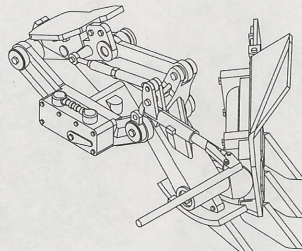
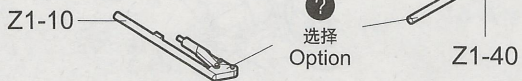
不涂胶水  
No cement



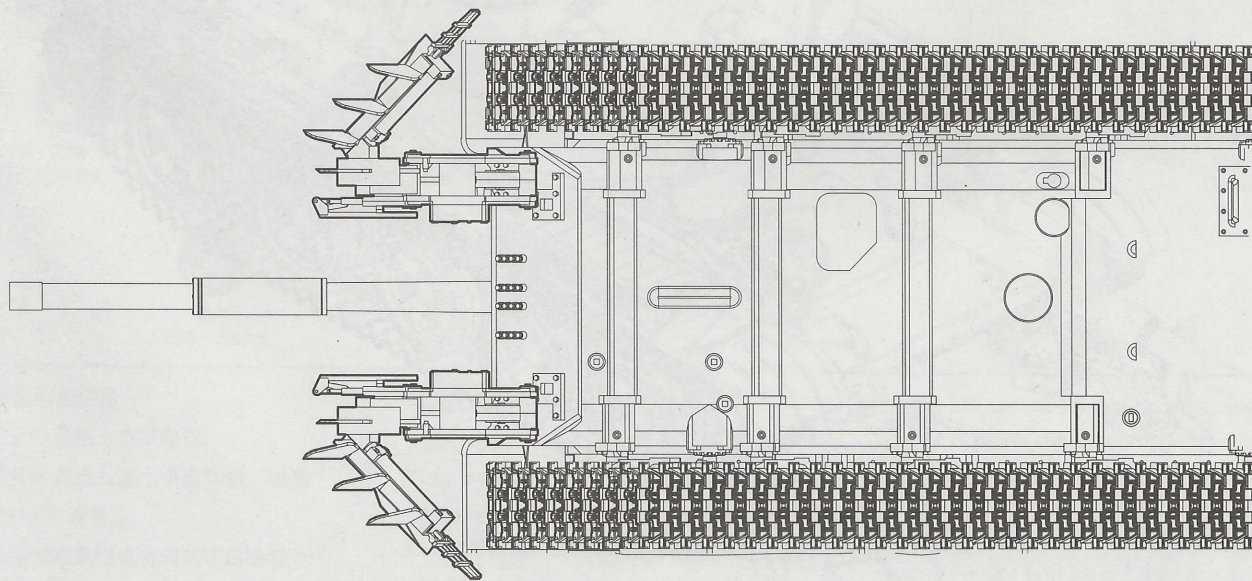
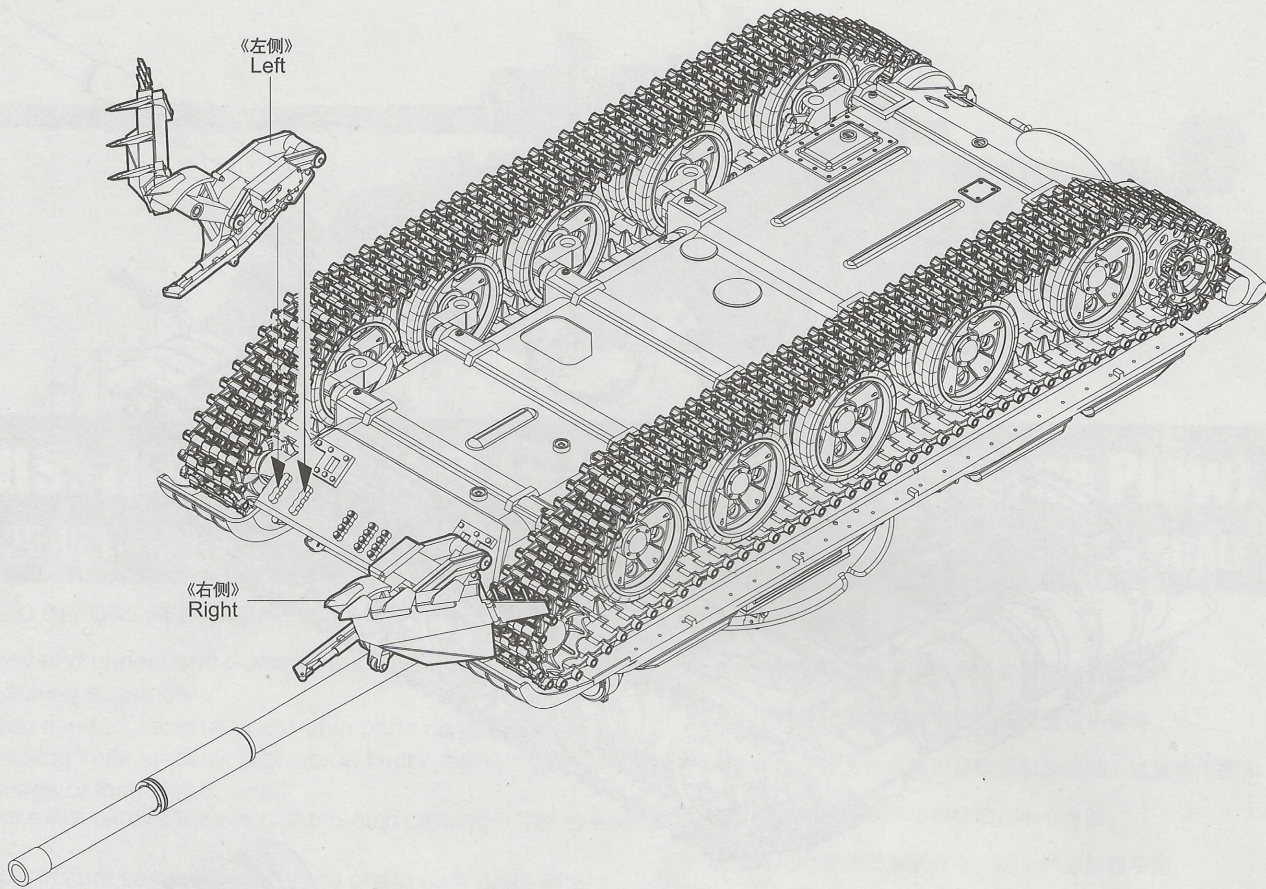
不涂胶水  
No cement

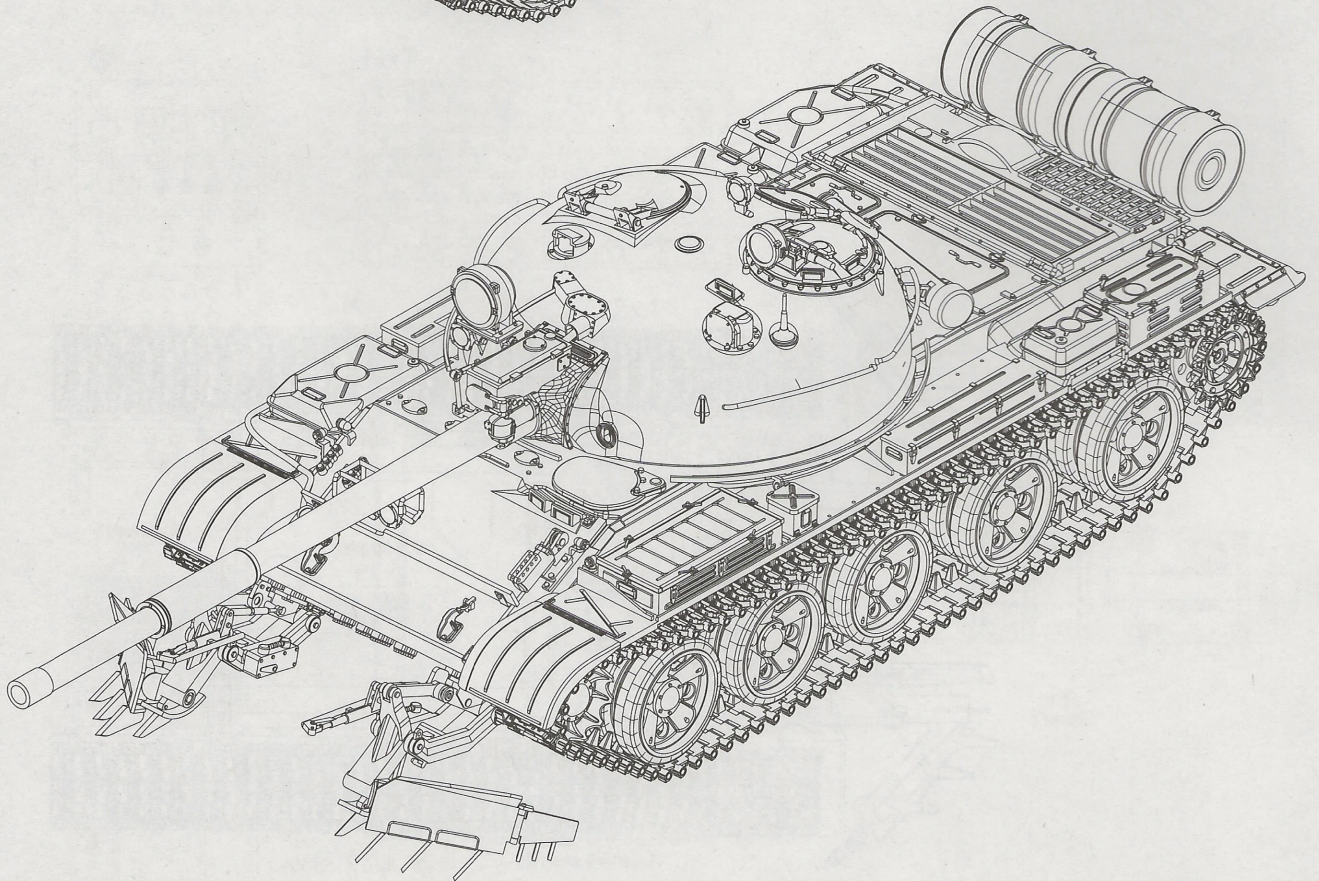
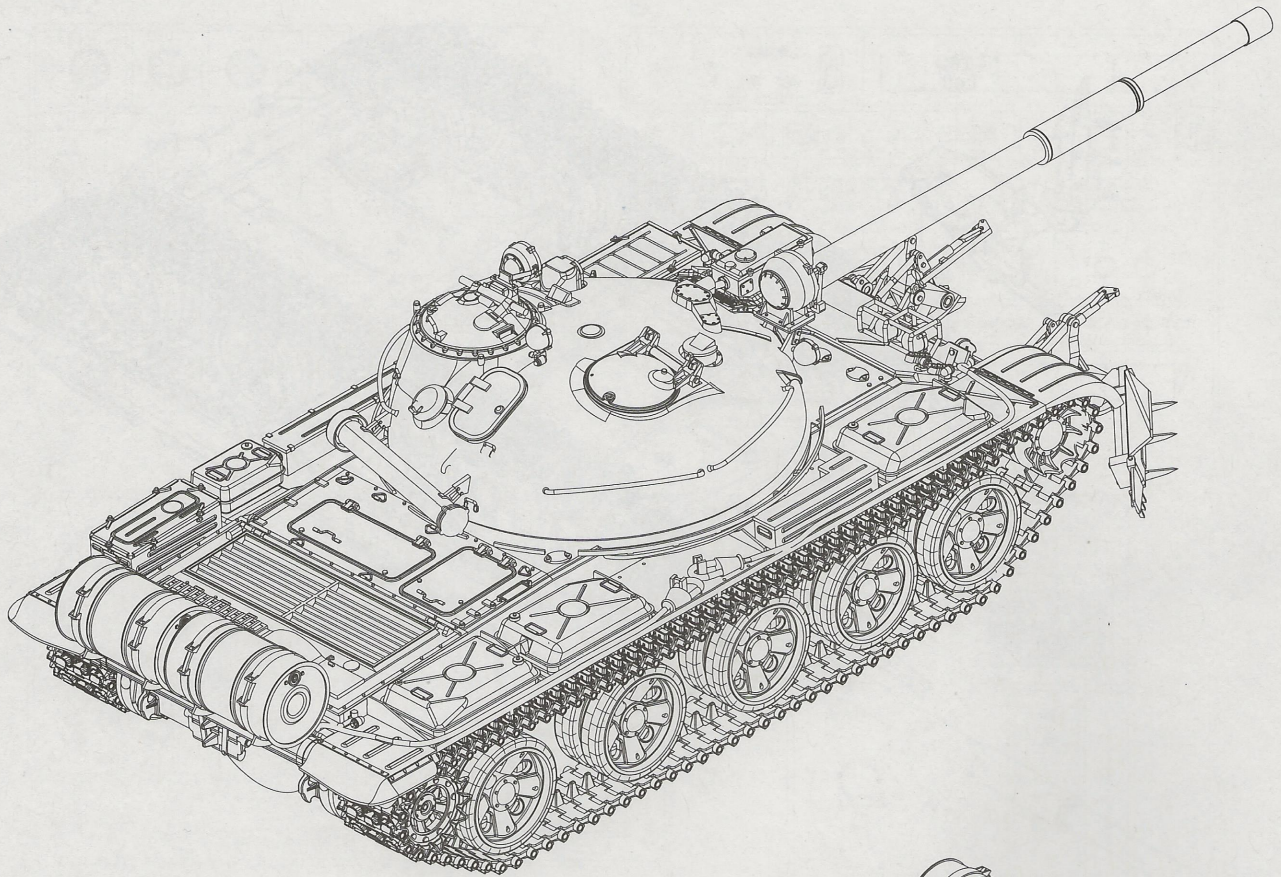


选择  
Option



《左侧》  
Left



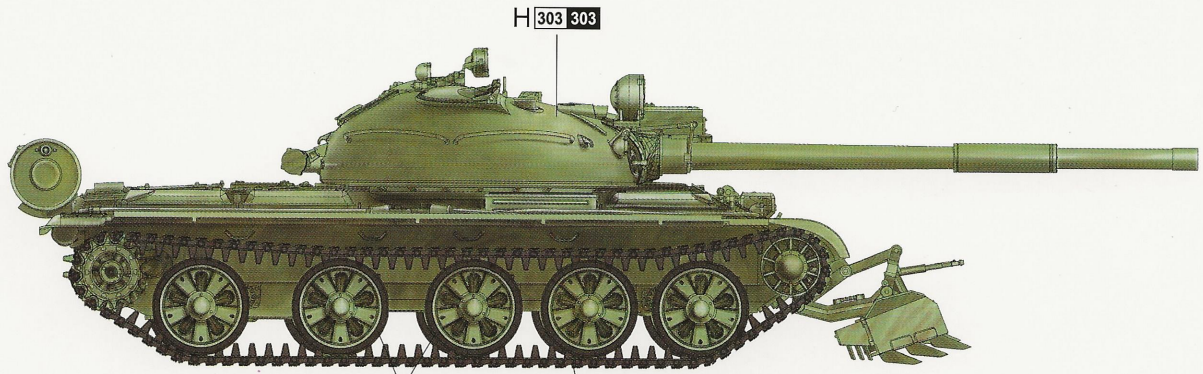


# 涂装同标贴指示

## Painting & Marking guide

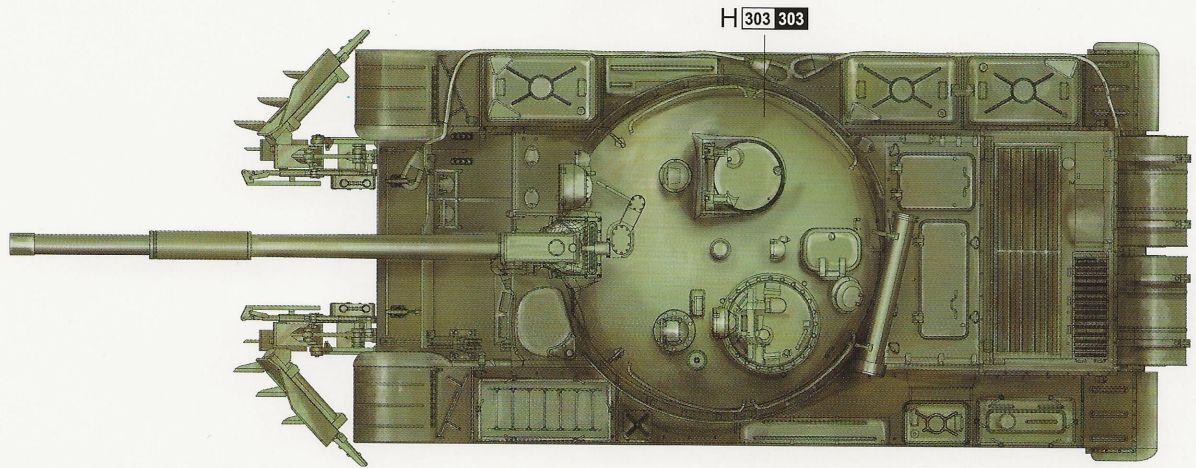
### PAINT REFERENCE COLOUR

Color	Mr.Hobby	Vallejo	Model Master	Tamiya	Humbrol
Tire Black 胎黑色	H 77 137	-	-	-	-
Light Green 绿色	H 303 303	-	1713	XF20	117
Steel/Metal Black 黑铁色	H 18 28	864	1402	-	-

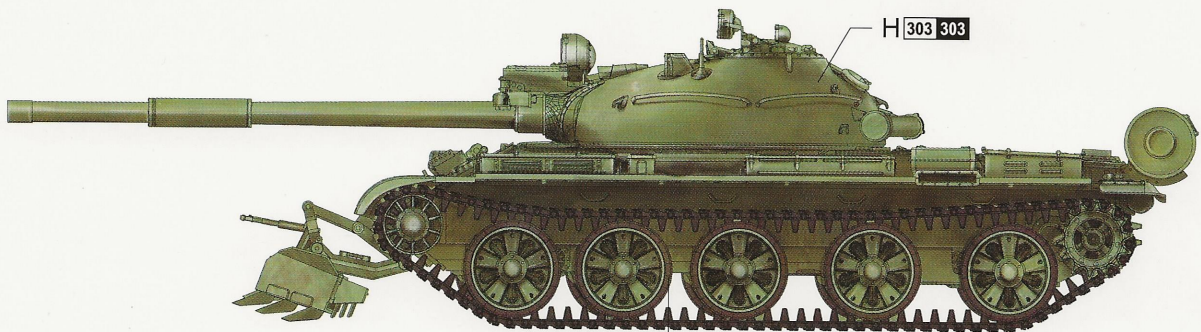


H 77 137

H 18 28

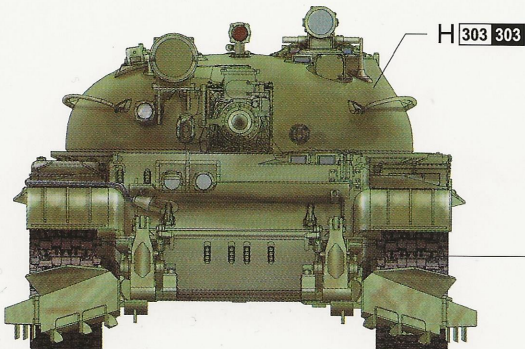


H 303 303

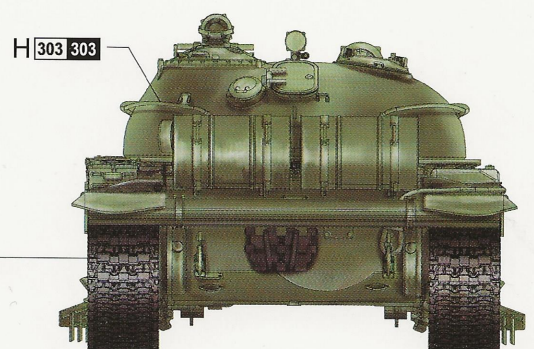


H 303 303

H 77 137



H 303 303



H 303 303

H 18 28

H  AQUEOUS HOBBY COLOR

■ Mr. COLOR