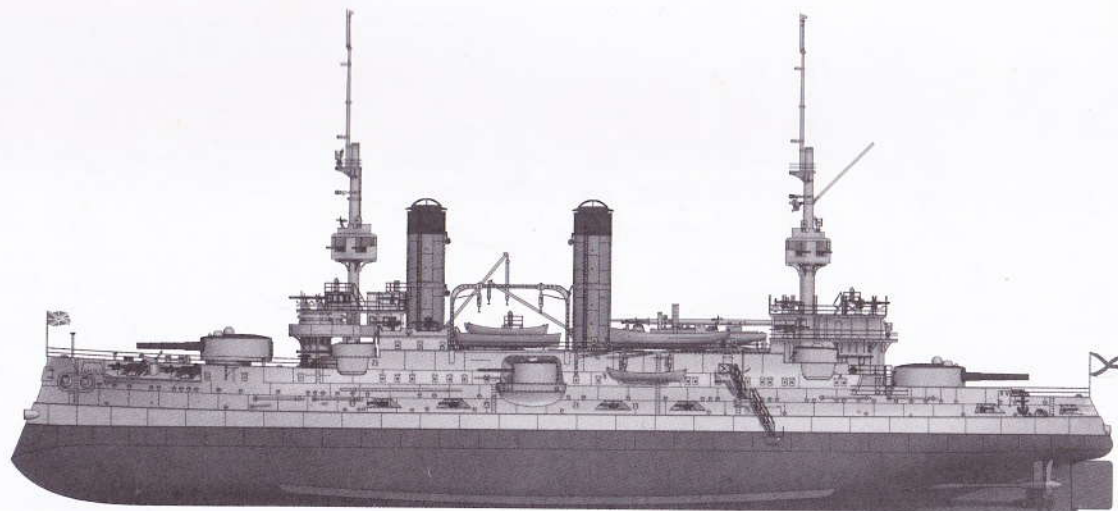


1/350 scale

ITEM NO.:05338



Russian Navy Tsesarevich Battleship 1904

俄罗斯海军“皇太子”号战列舰1904年

READ BEFORE ASSEMBLY:

- This kit is not recommended for inexperienced modelers or for children under 14 years of age
- Study and understand these instructions thoroughly before beginning assembly
- When needed, remove photo-etch parts carefully using a modeling knife or photo etch sprue cutter, being careful not to damage or lose small parts.
- Take extra care in handling photo etch parts in order to avoid injury
- Apply instant cement sparingly to photo etch parts where instructed

- Tools recommended(not included in kit):Plastic and instant cements,sprue cutters,long nose pliers,,modeling knife, small files, tweezers, pin vise & scissors. Soft cloth and sandpaper will also assist in construction
- Glue and paint are not included in the kit. Use plastic cement and hobby paints only. Color guide for purchasing paint is included in the kit.
- Keep out of reach of small children. They must not be allowed to ingest small parts or handle plastic bags in any way.

装配之前仔细阅读

- 小心用模型锉刀锉平所有零件表面的注射浇口。
- 小心用刀片切下蚀刻片零件，不要遗失小零件。
- 用强力快干胶水粘合蚀刻片零件和金属轴。过量的快干胶水使用可能导致可动零件会粘住，小心涂胶。
- 取蚀刻片时应特别注意安全，防止利边划伤手指。
- 某些零件表面需贴水贴纸，请选择在装配的同时进行。
- 推荐模型工具(自备)：胶水，水口剪刀，长咀钳，刀片，锉刀，镊子钳，钻，剪刀，瞬间快干胶。
- 软布同砂纸同时也应该是必备工具。
- 请使用塑料胶水和油漆，模型内不含。
- 谨防小孩吸吮塑料零件，或者将塑料袋套在头上，制作时应将套材远离小孩接触。
- 本产品不适合14岁以下没有经验的模型爱好者。

水贴纸的使用:

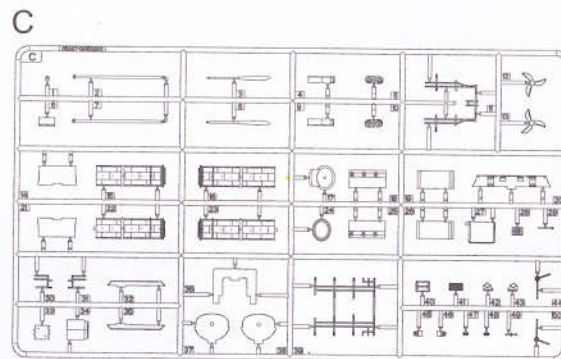
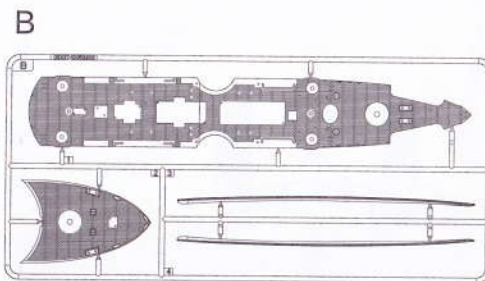
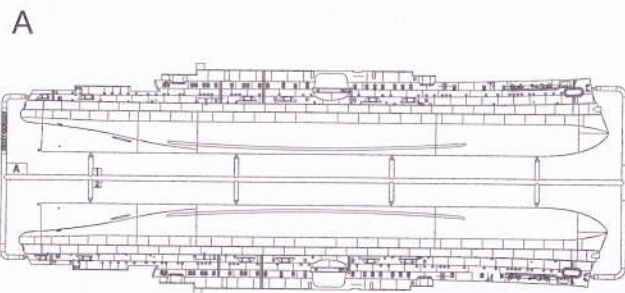
1. 从水贴纸上剪下印花;
2. 将印花放入温水中浸10秒, 然后放在干净布上。
3. 拿着印花纸板将印花移到模型上;
4. 手指蘸水将印花移到适当的位置;
5. 用软布轻压印花直至水干, 汽泡消失。

DECAL APPLICATION:

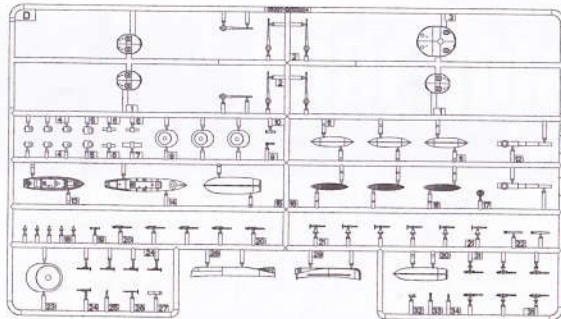
1. Cut decals from sheet as needed
2. Dip the decal in warm water for about 10 seconds and then place on soft clean cloth.
3. Hold the decal backing sheet edge and gently slide the decal onto the model in its proper position.
4. While still wet, decal can be adjusted for better fit on model by dampening it gently with your finger.
5. When placed in the proper position, gently press decal down with a soft cloth until excess water and air bubbles are gone.
6. Allow decal to dry completely before handling model



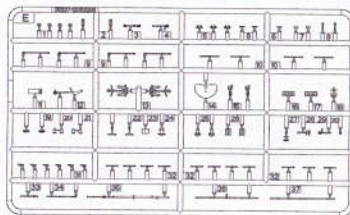
部品图
Parts



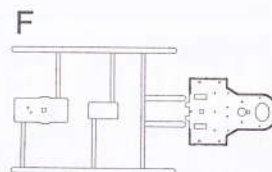
DX2



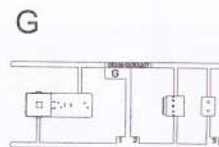
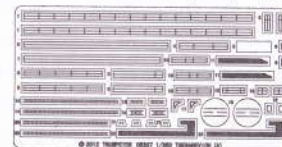
EX2



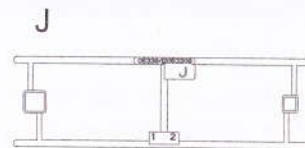
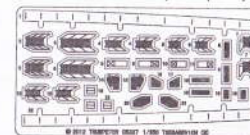
金属锚链: 长:150mm
Size: 0.25x1.1x2.0



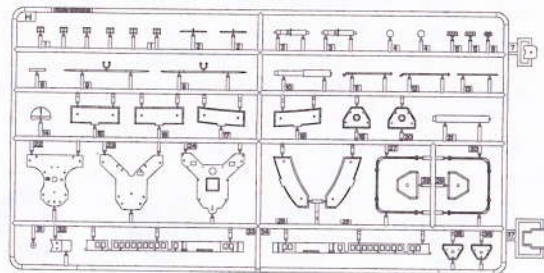
《蚀刻片》A
Photo etched part(PE)



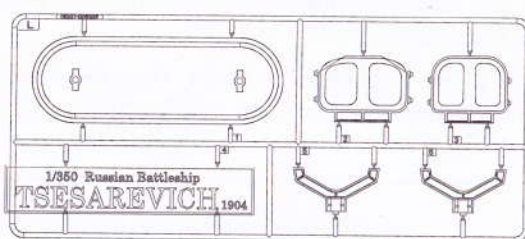
《蚀刻片》B
Photo etched part(PE)



H



L



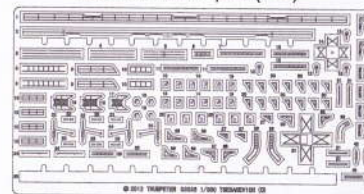
《蚀刻片》CX2
Photo etched part(PE)



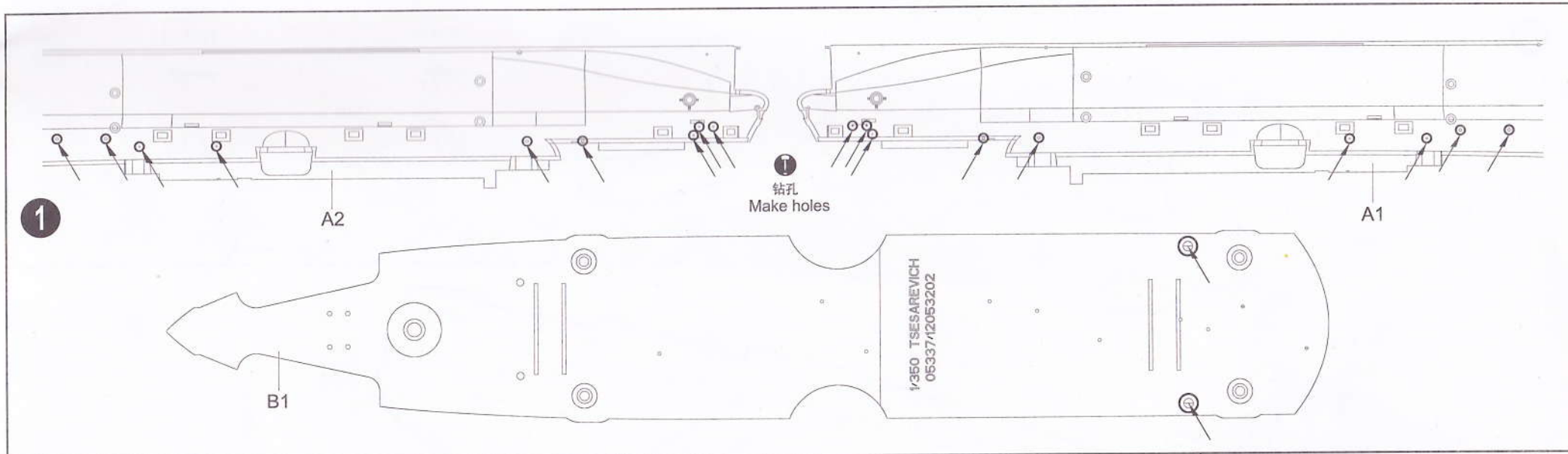
《水贴纸》
Decal



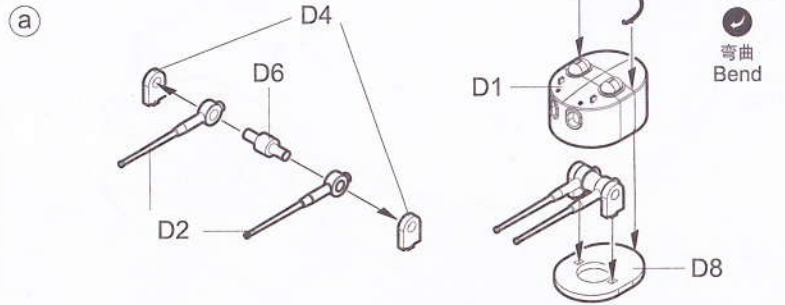
《蚀刻片》D
Photo etched part(PE)



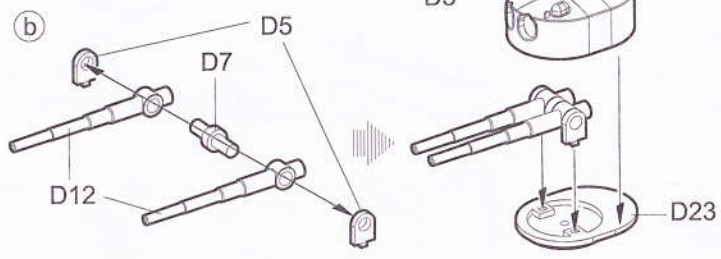
不用的部件: C5、C10
Unused parts: C5、C10



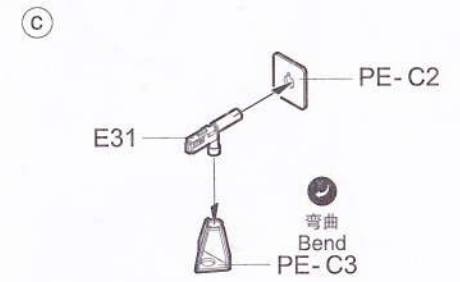
制作6组
Make six



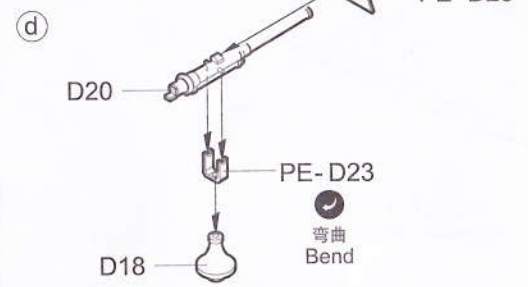
制作2组
Make two



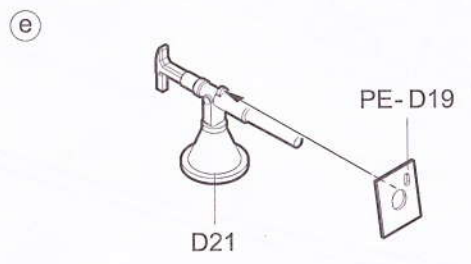
制作11组
Make eleven



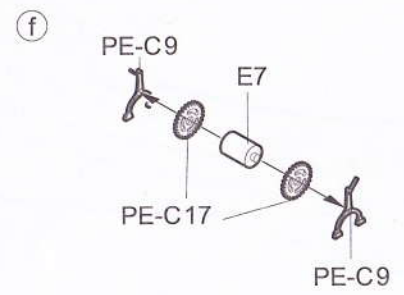
制作6组
Make six



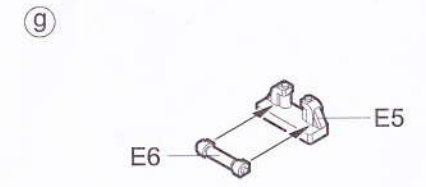
制作12组
Make twelve



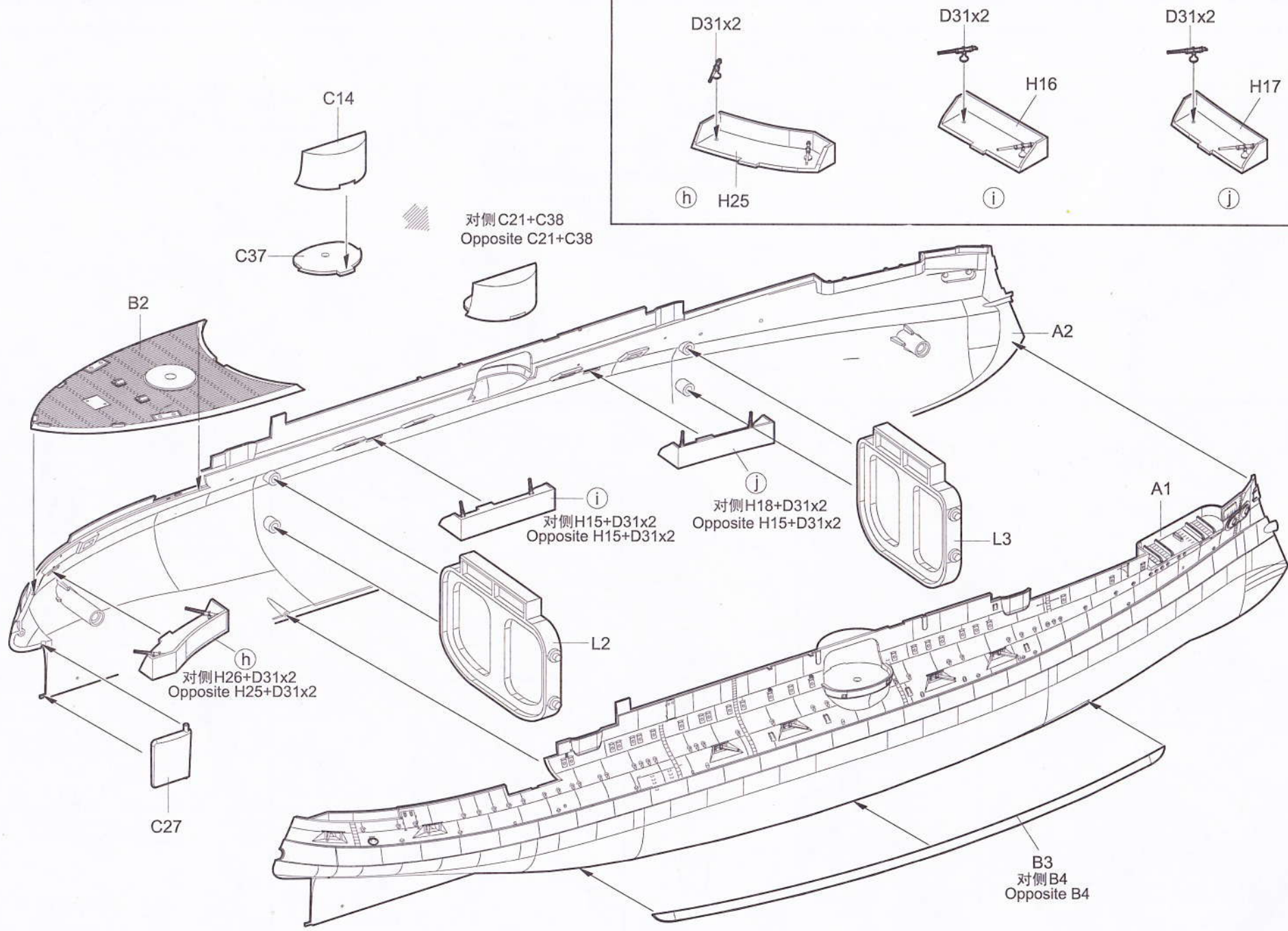
制作4组
Make four



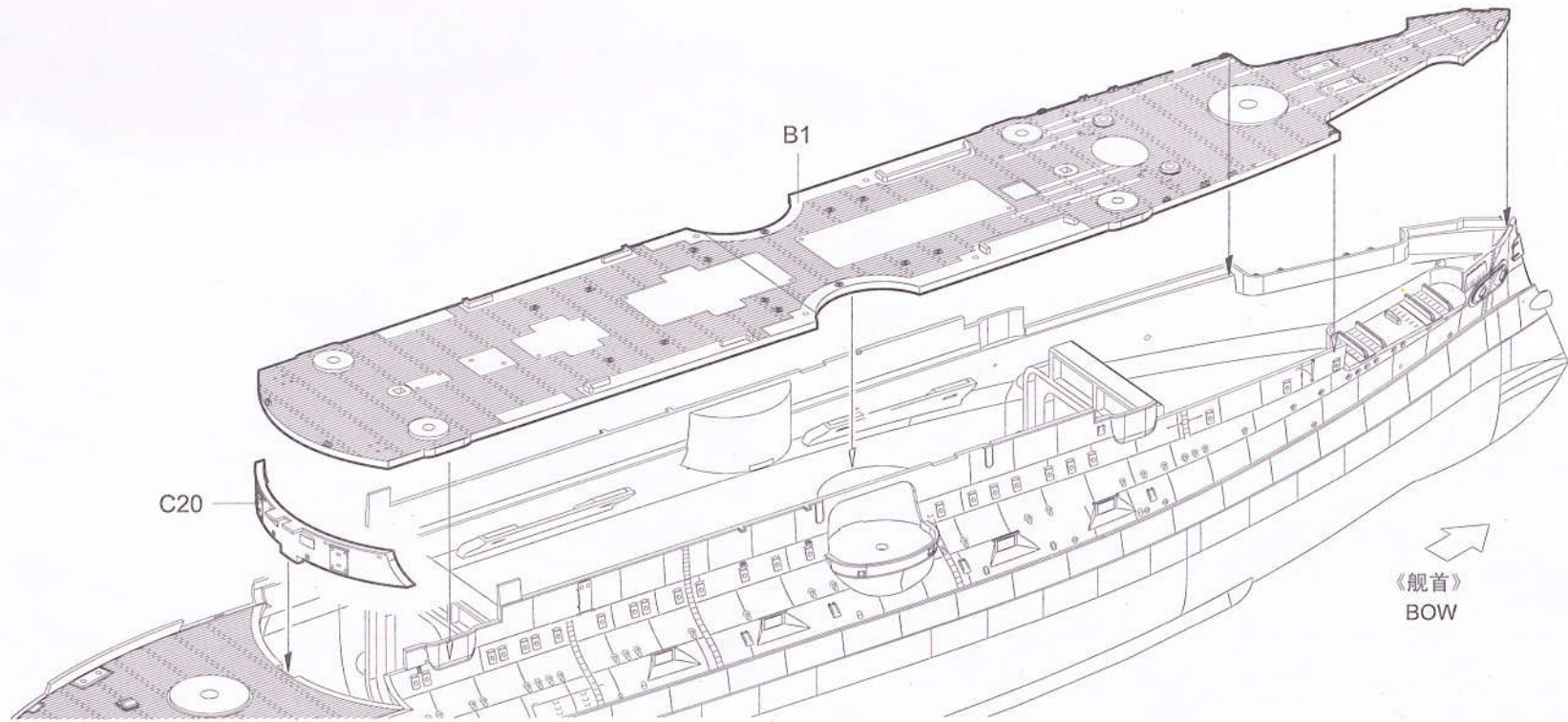
制作6组
Make six



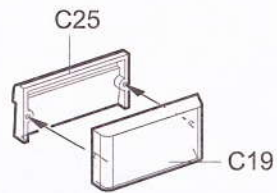
2



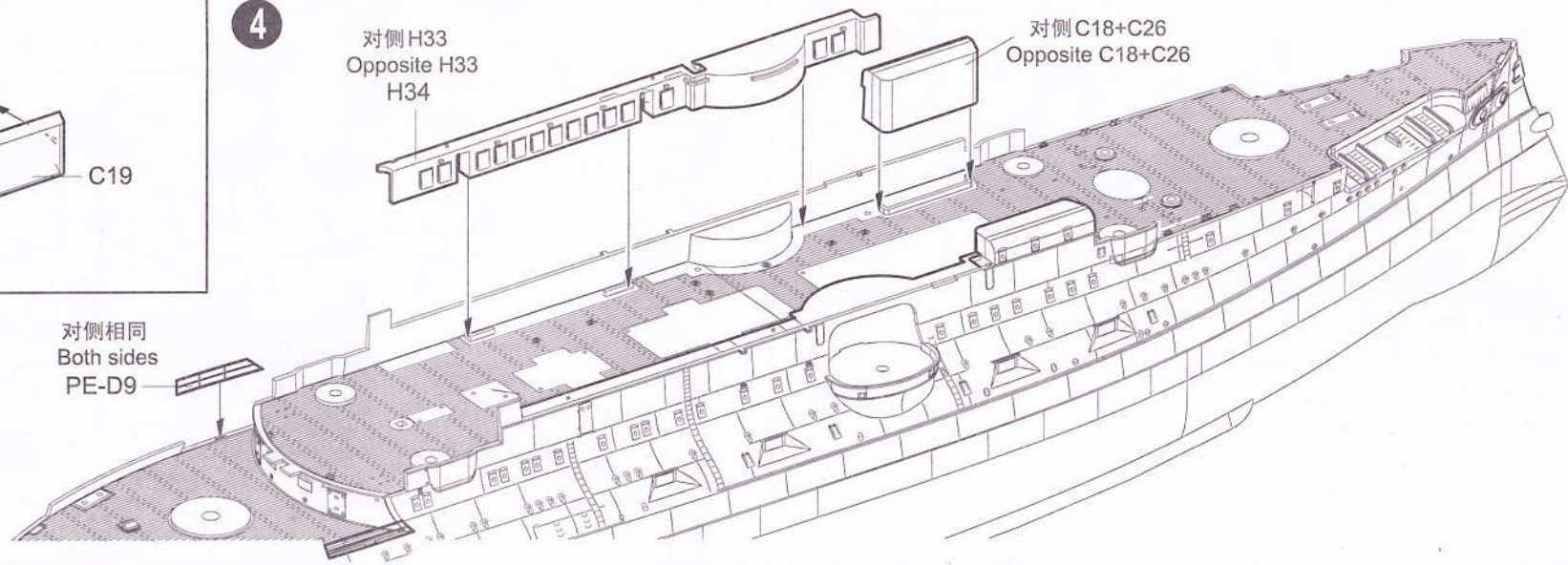
3



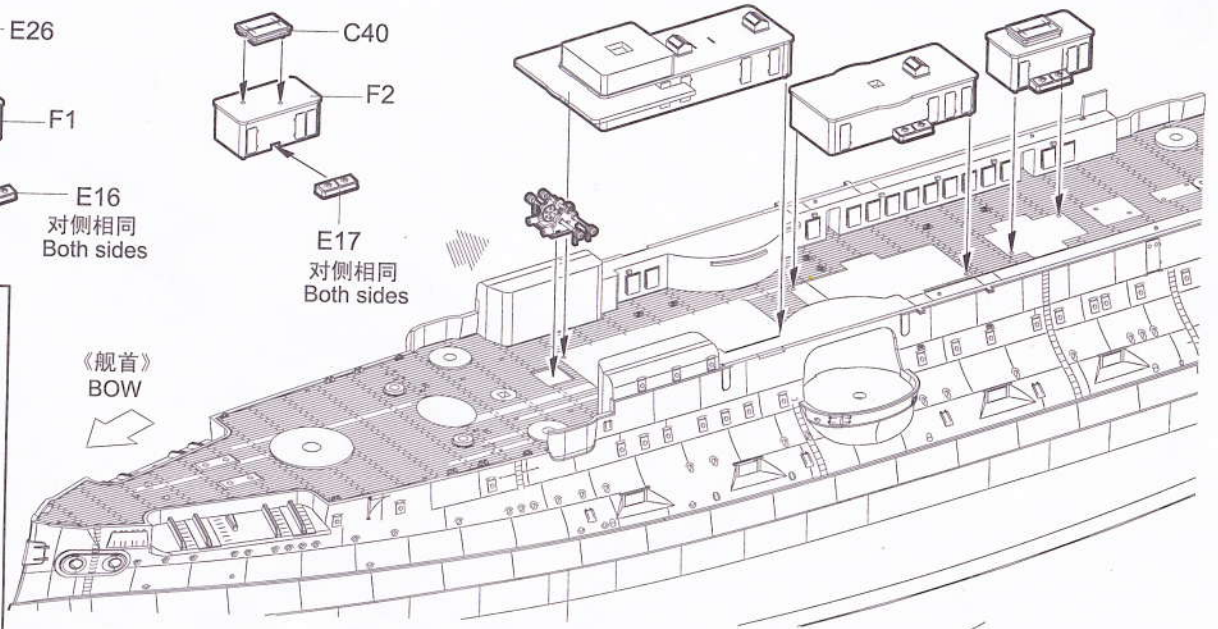
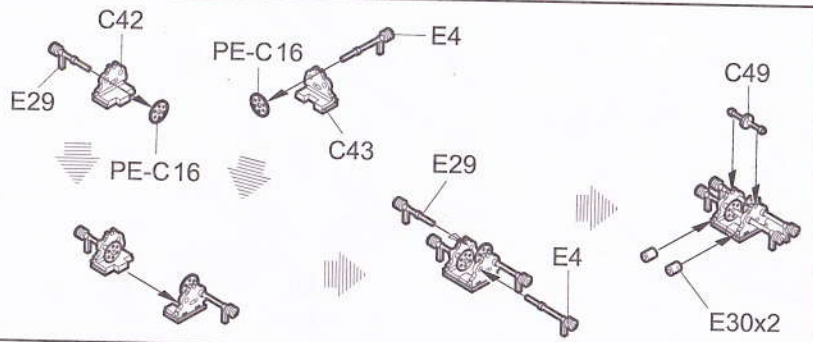
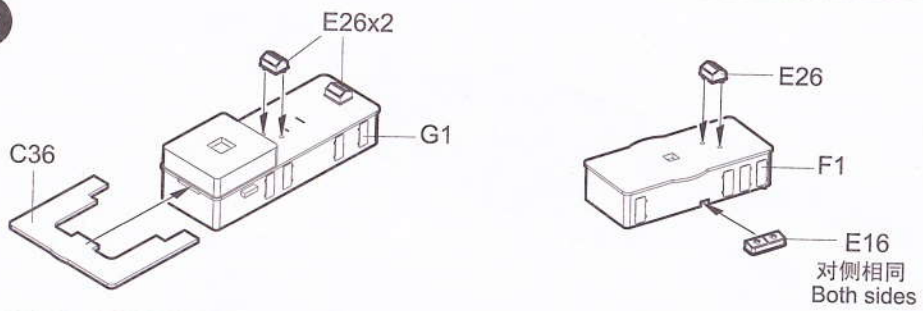
4



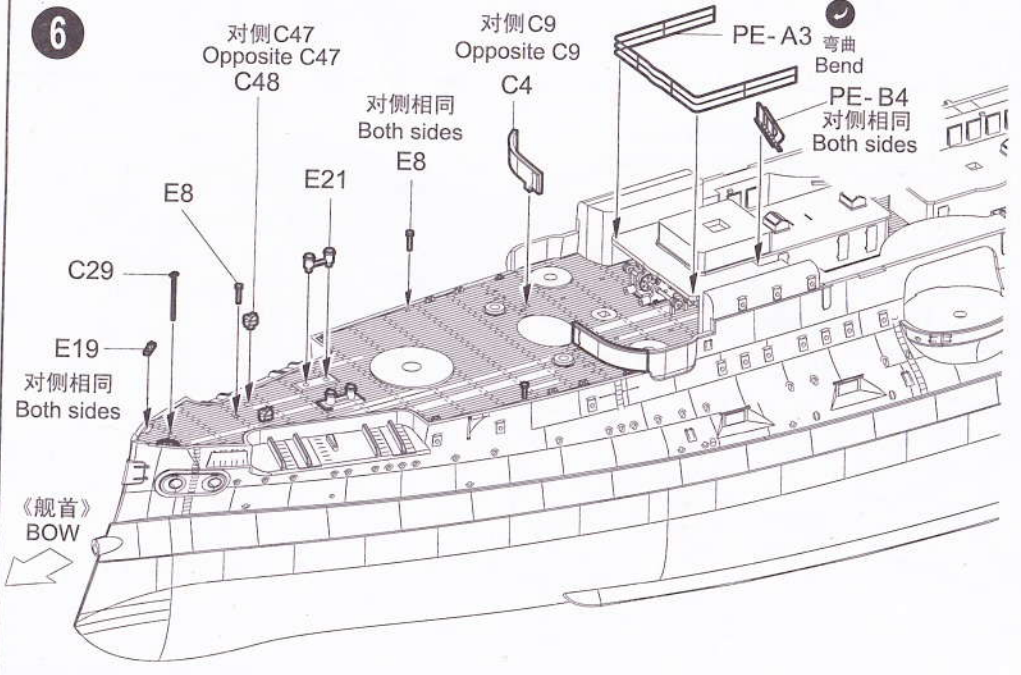
对侧相同
Both sides
PE-D9



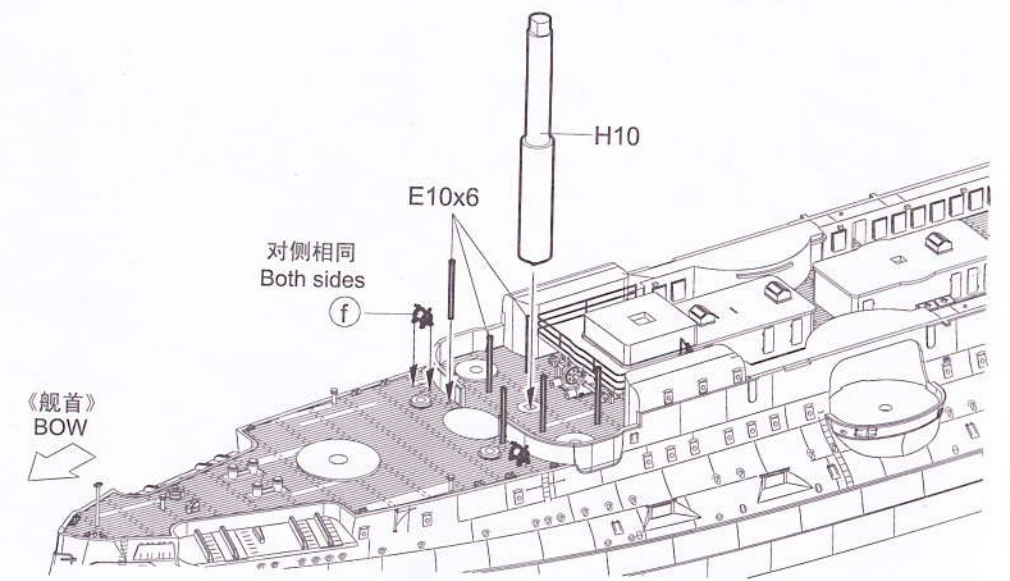
5

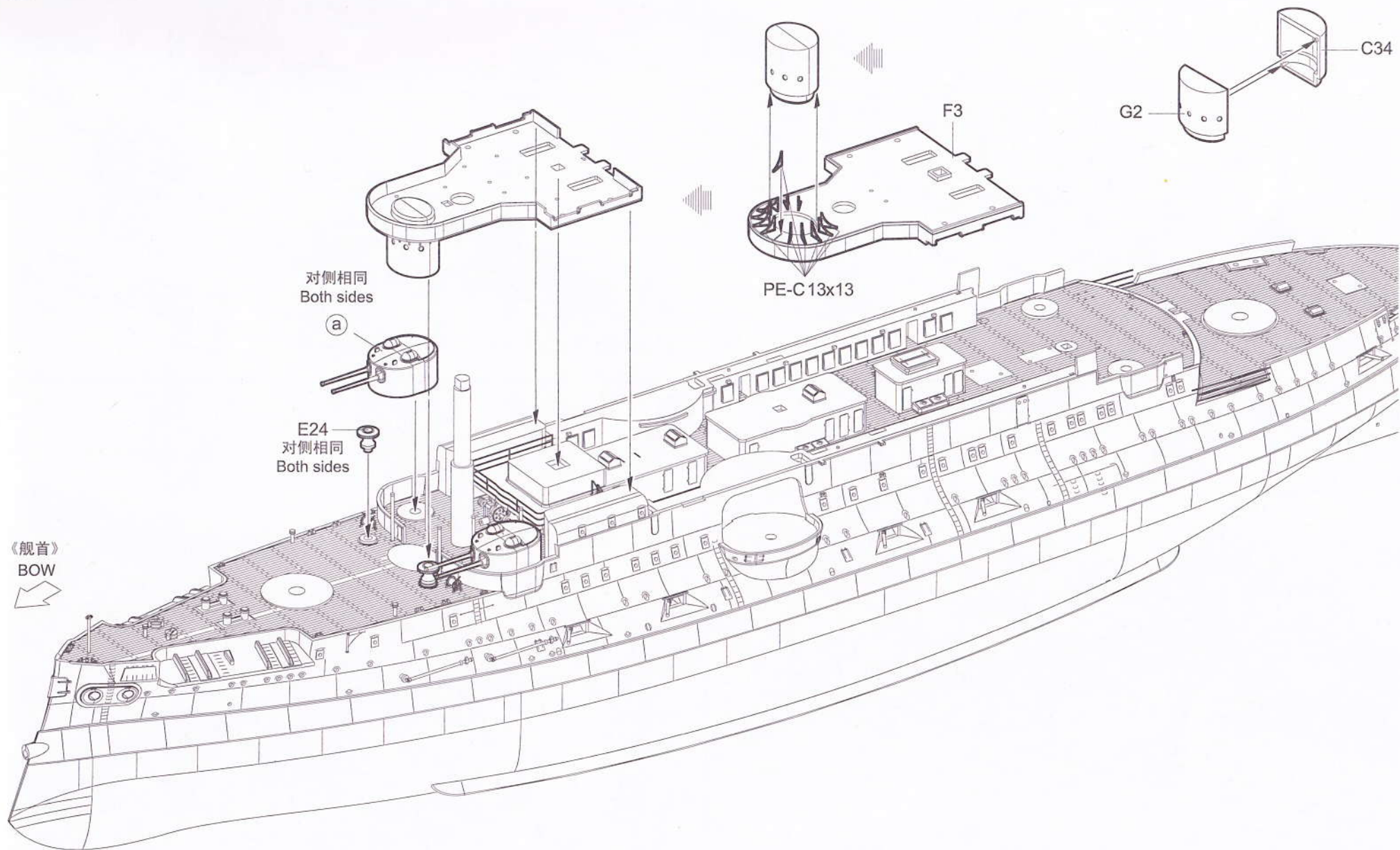


6

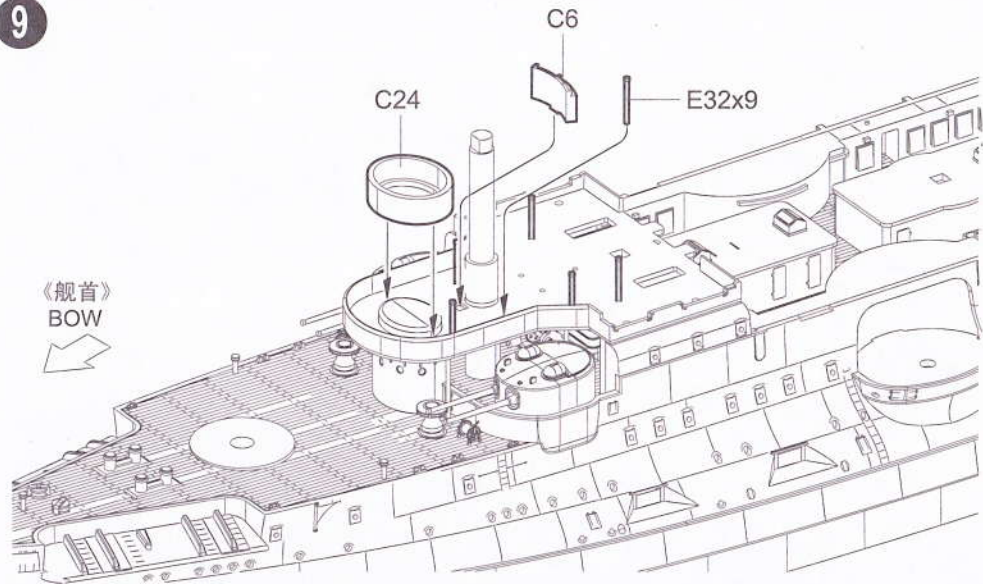


7

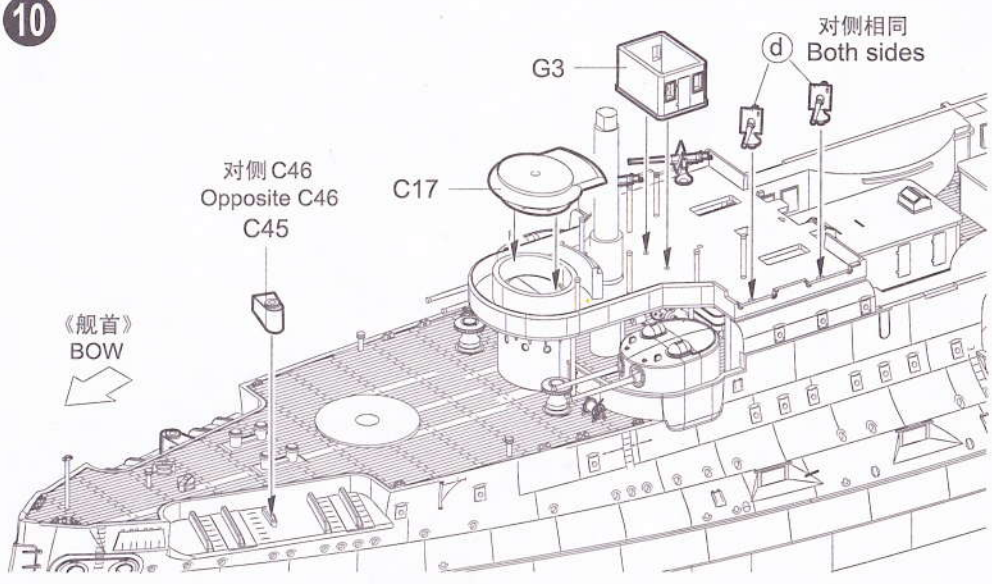




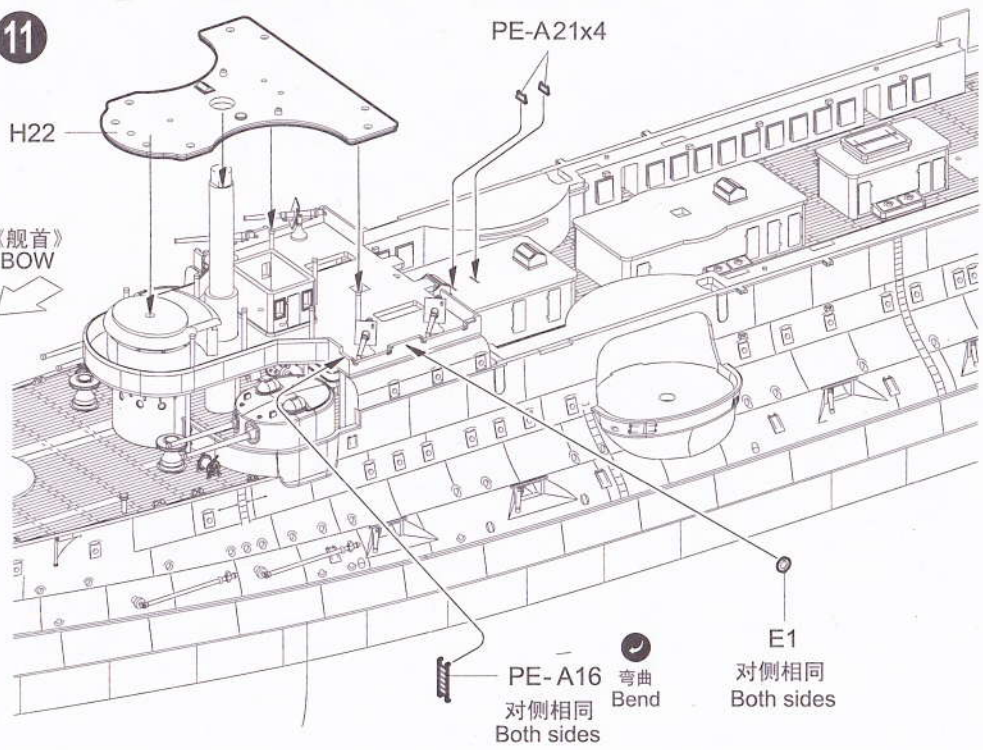
9



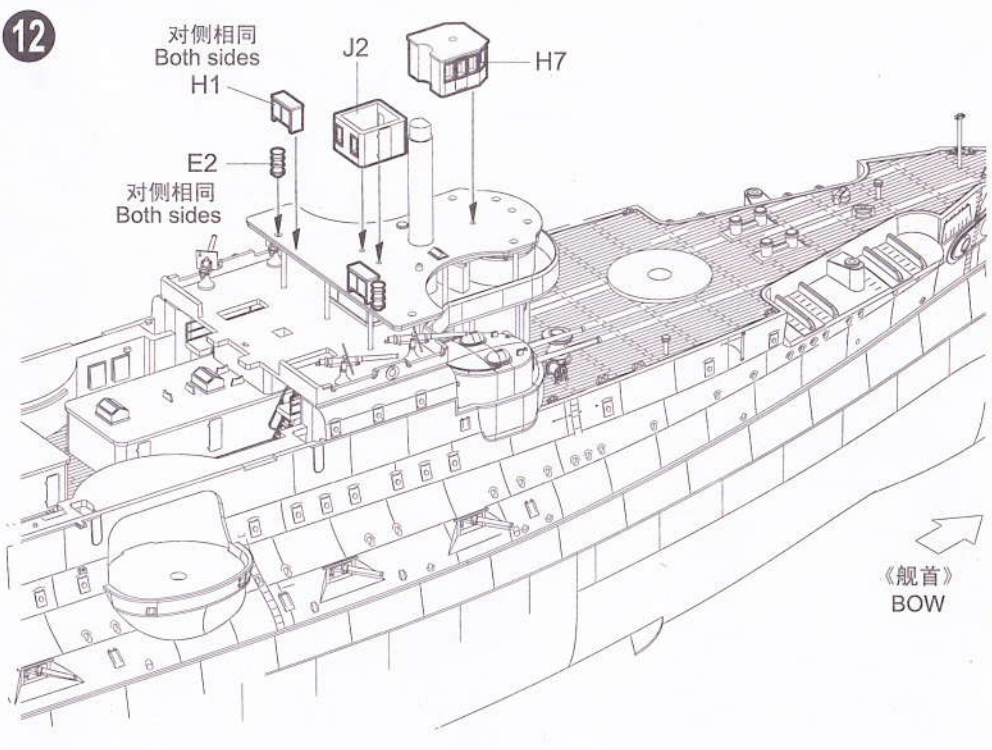
10



11



12

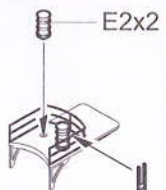


对侧相同
Both sides
PE-A17



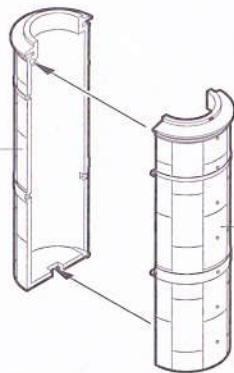
H32

PE-A4 弯曲
Bend



PE-D43

C15



C22

PE-D12x2

PE-A18 弯曲
Bend



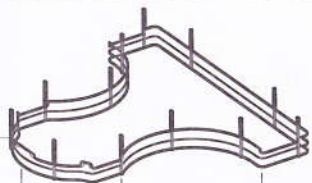
对侧相同
Both sides
PE-A20



13

PE-D2

弯曲
Bend



弯曲
Bend

PE-D16

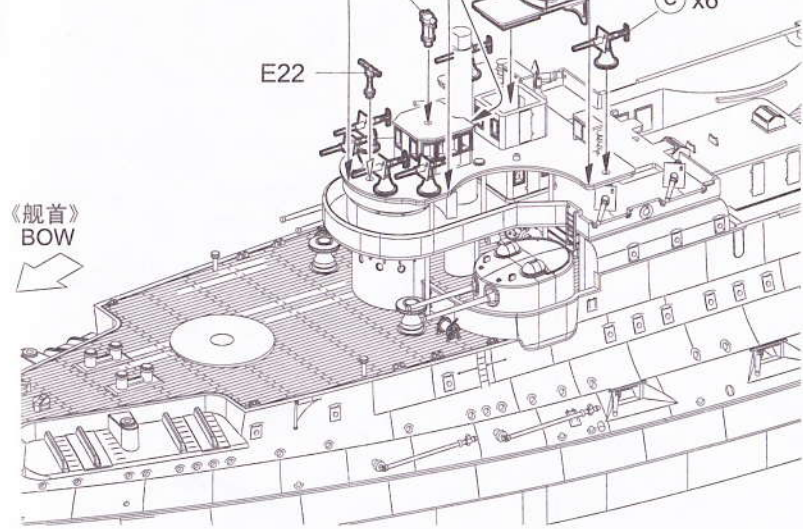


E25

E22

e x6

《舰首》
BOW



14

PE-E3

弯曲
Bend



对侧相同
Both sides
E13x2



对侧相同
Both sides
E12

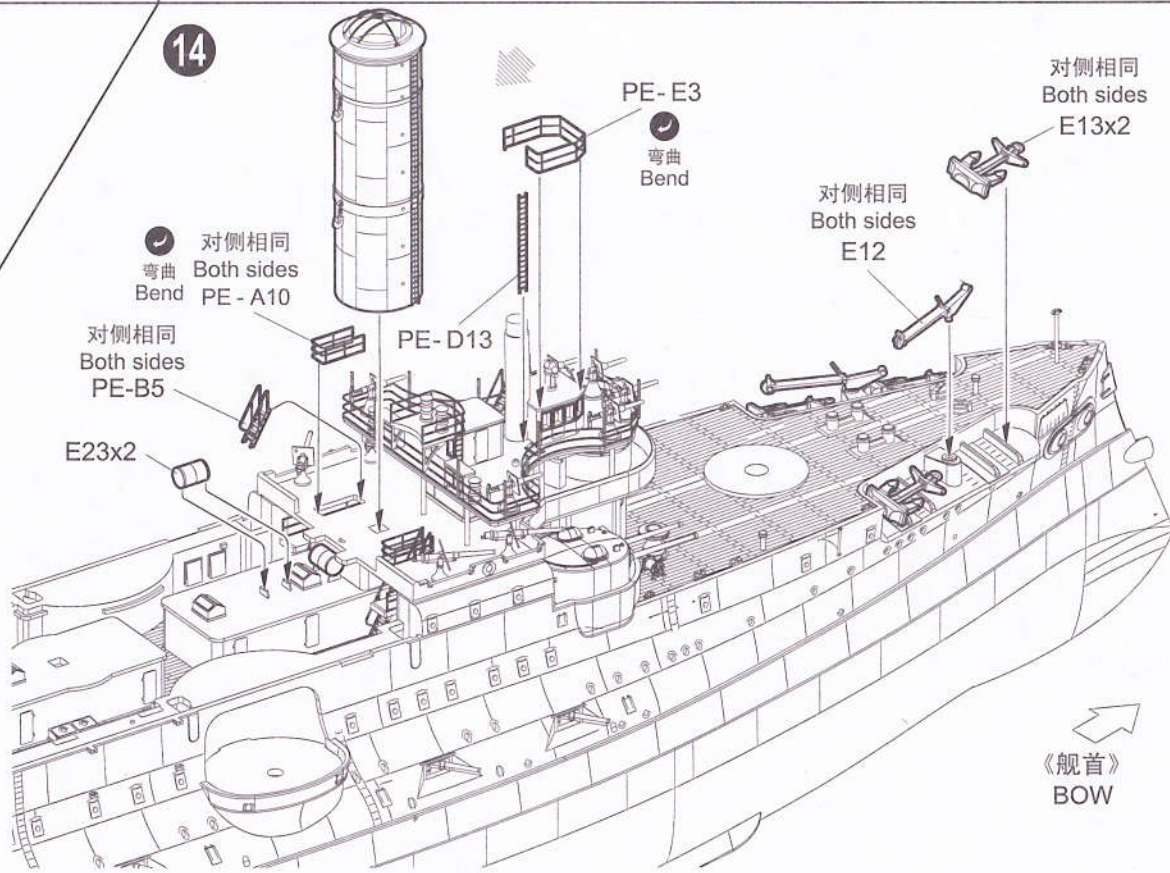
对侧相同
Both sides
弯曲
Bend
PE-A10

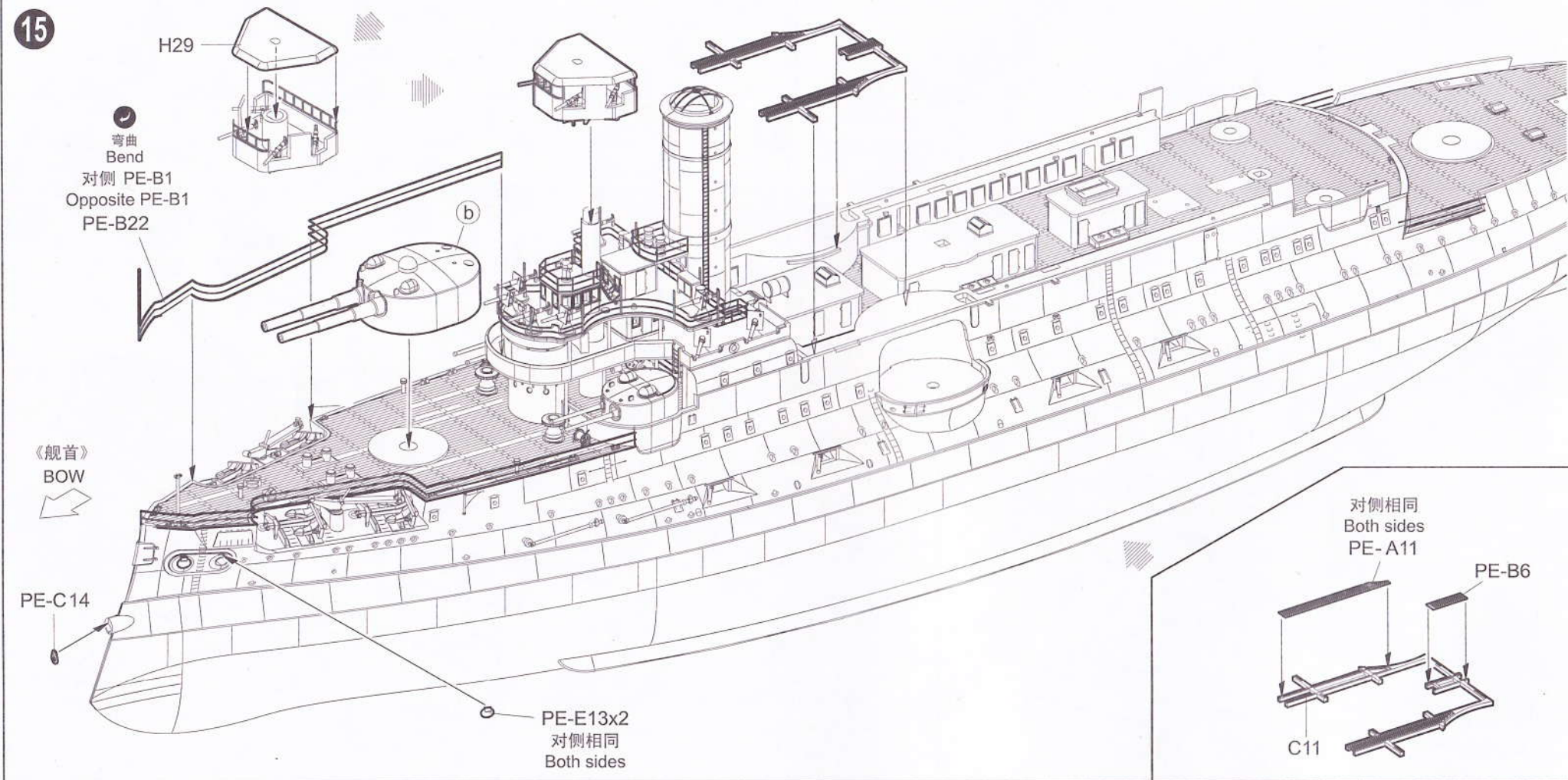
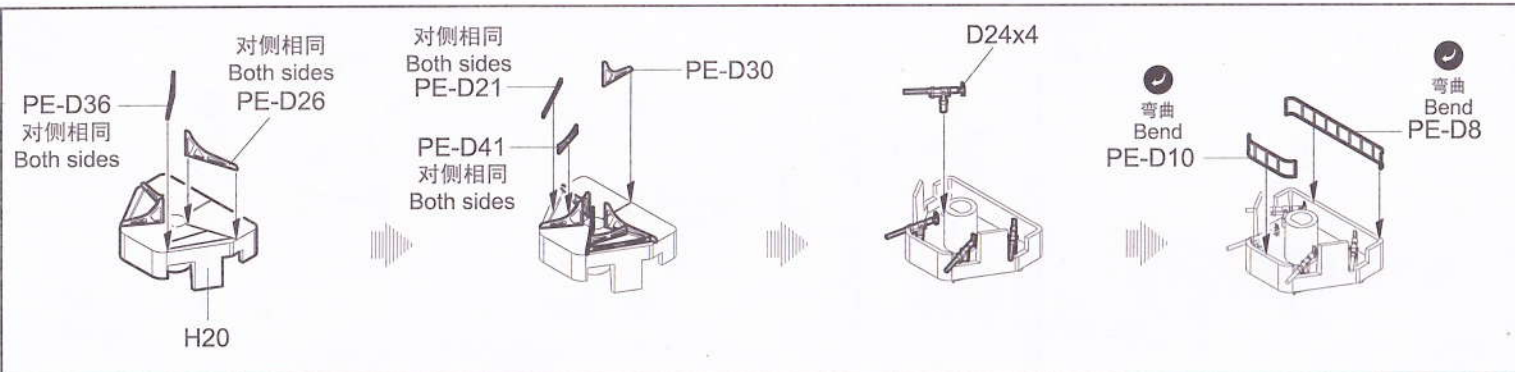
对侧相同
Both sides
PE-B5

E23x2

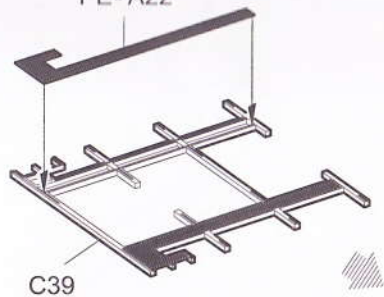
PE-D13

《舰首》
BOW

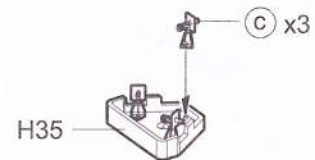
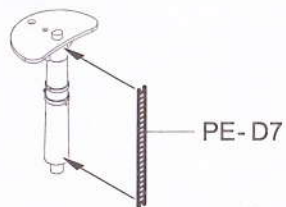
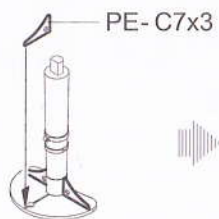




对侧相同
Both sides
PE-A22



16



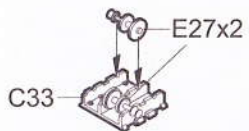
PE-B19



C31

对侧 C30+PE-B18+PE-B19
Opposite C30+PE-B18+PE-B19

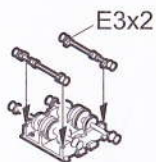
对侧相同
Both sides
PE-A2



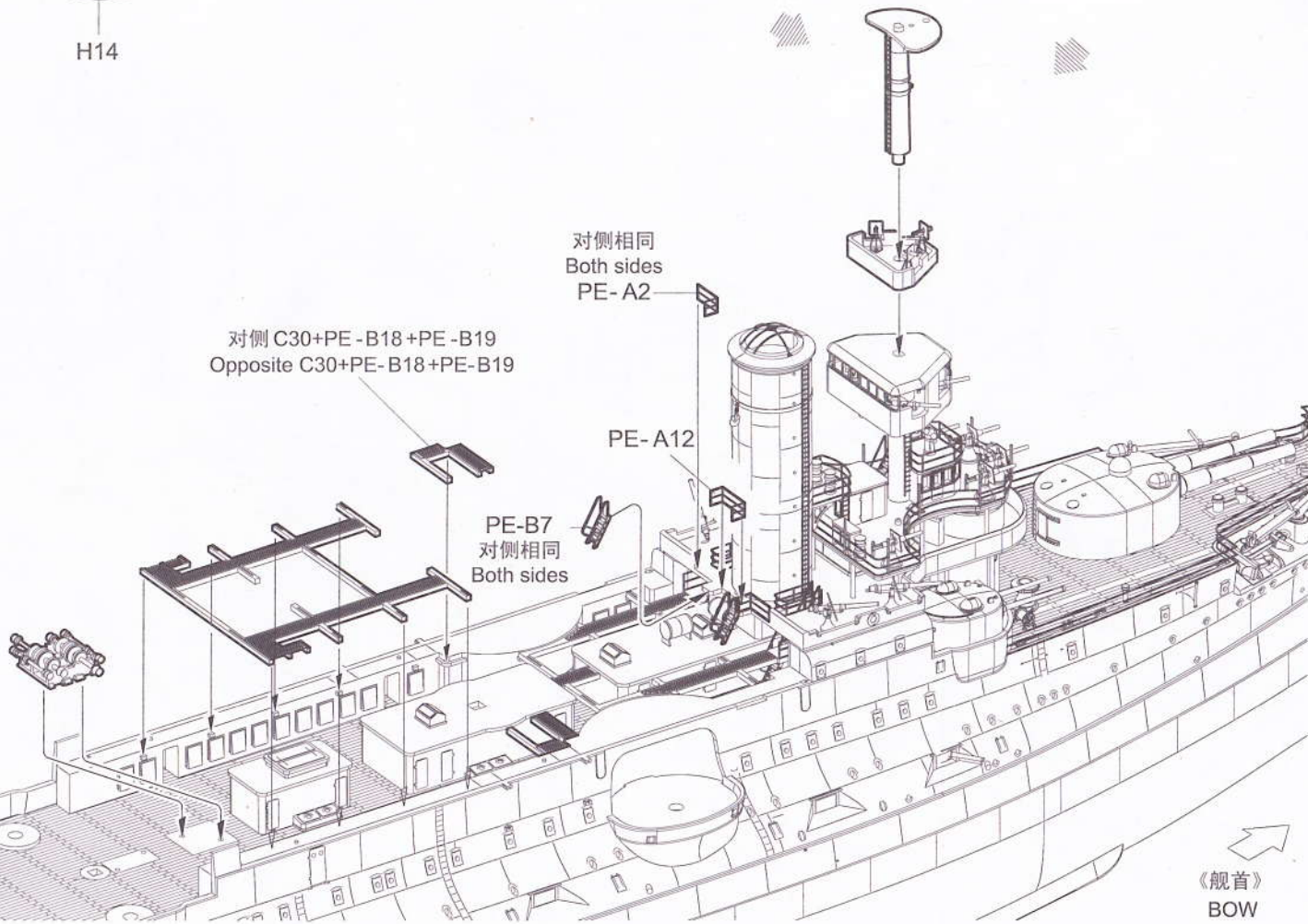
C33



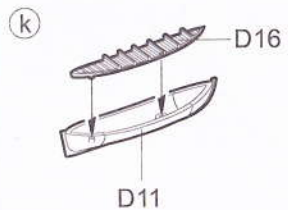
E28x2



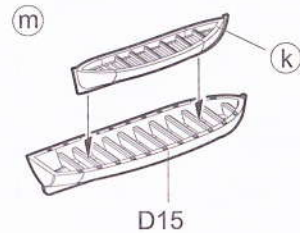
E3x2



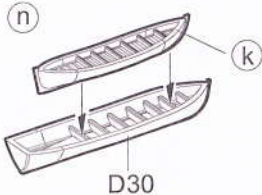
制作4组
Make four



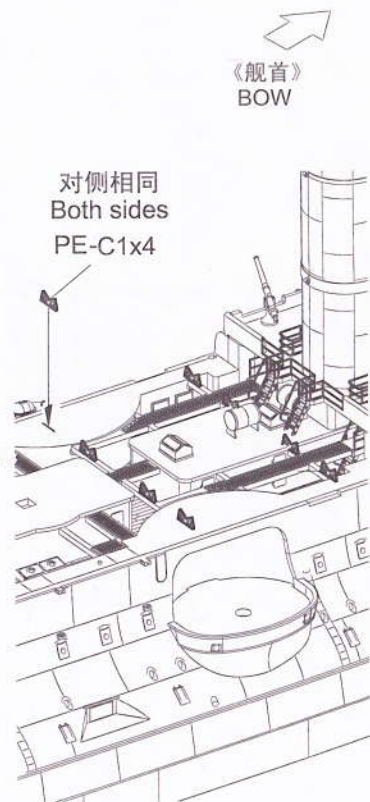
制作2组
Make two



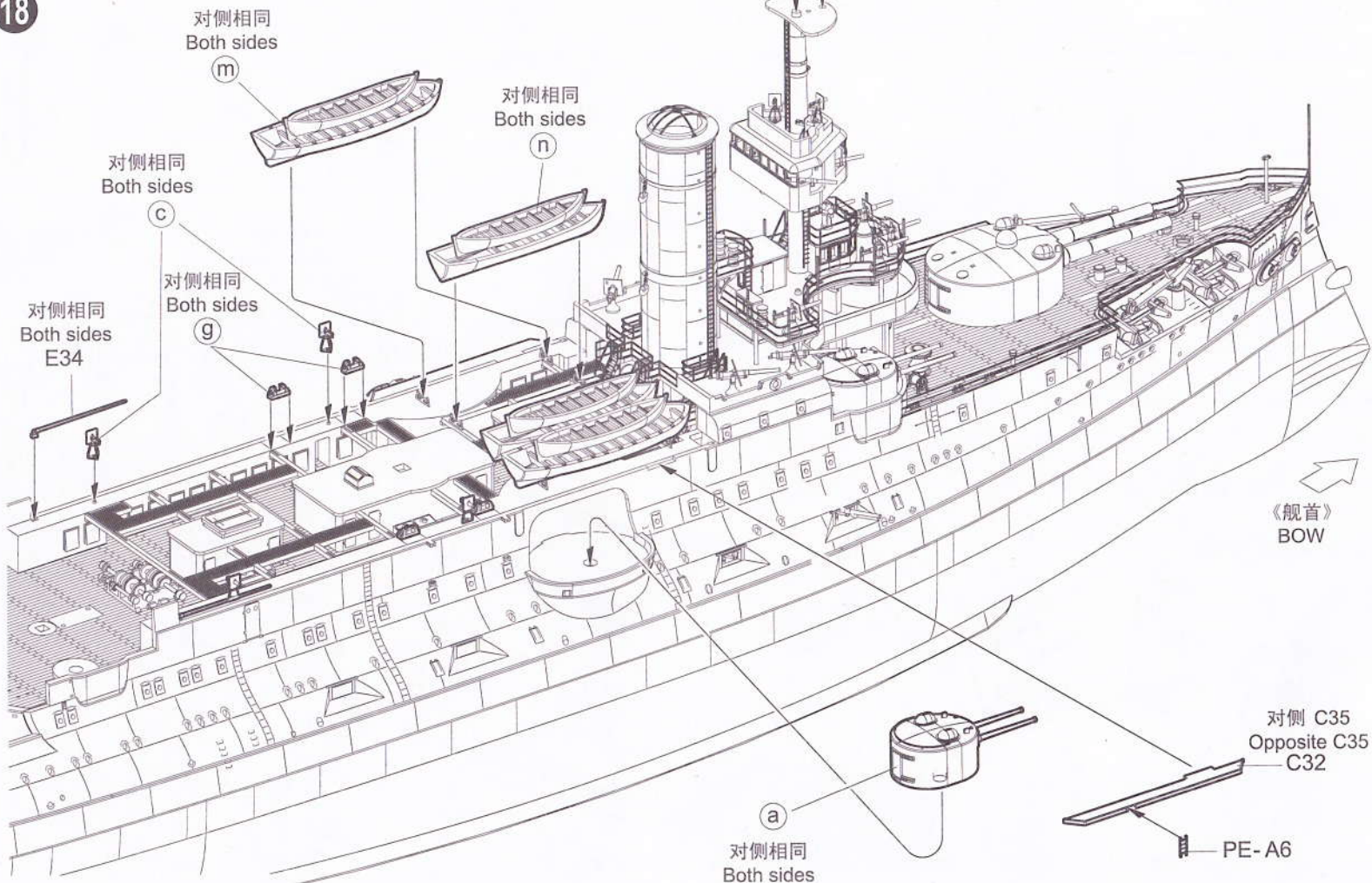
制作2组
Make two

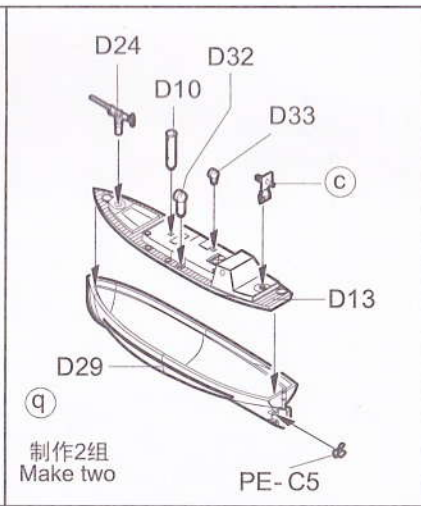
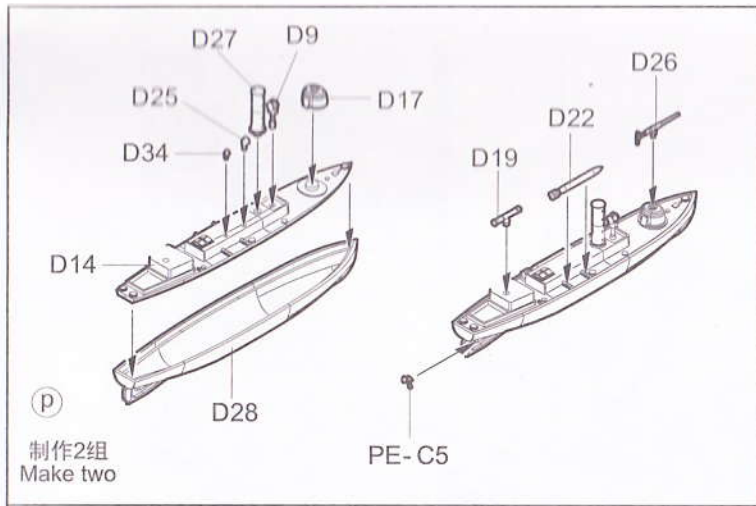


17

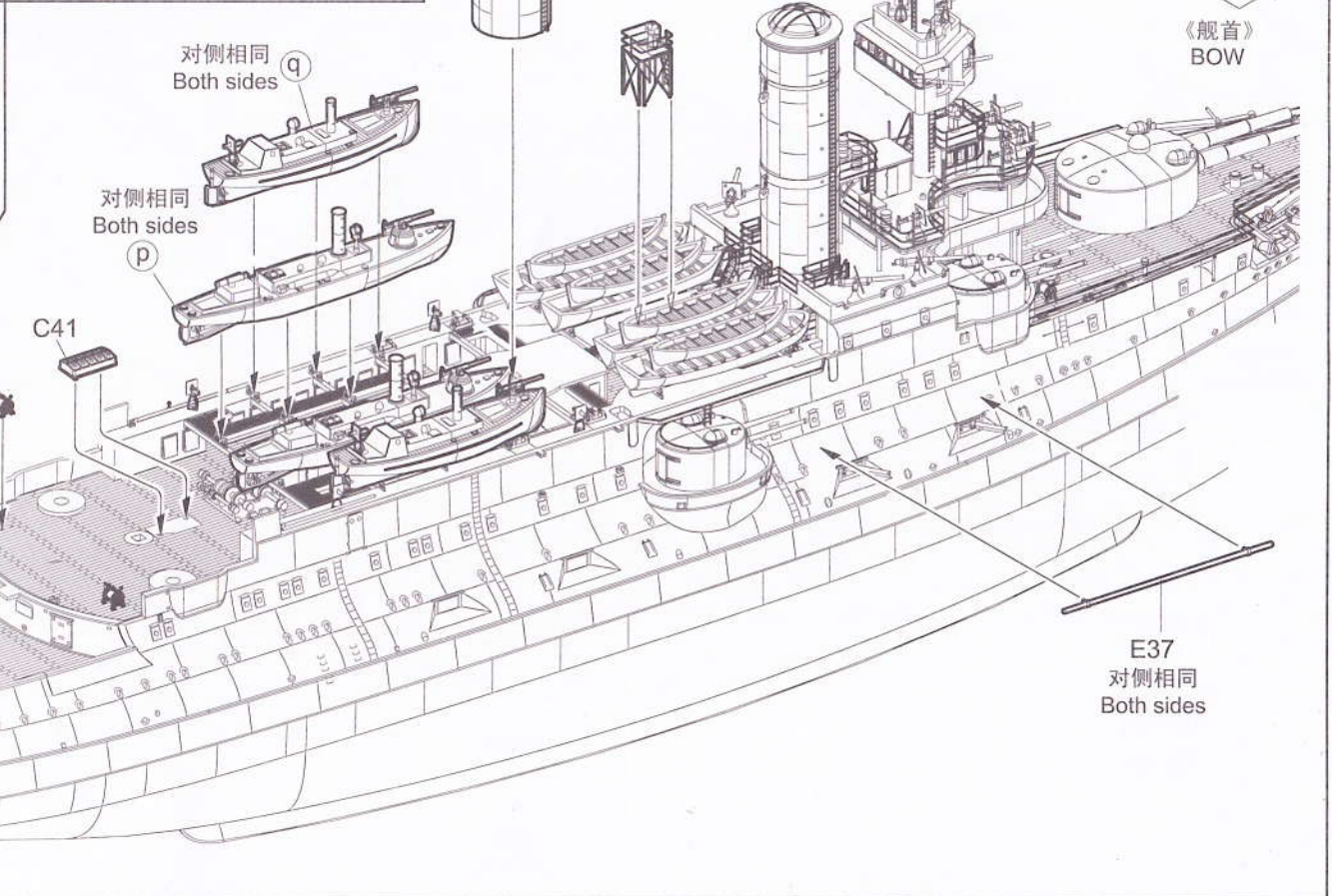
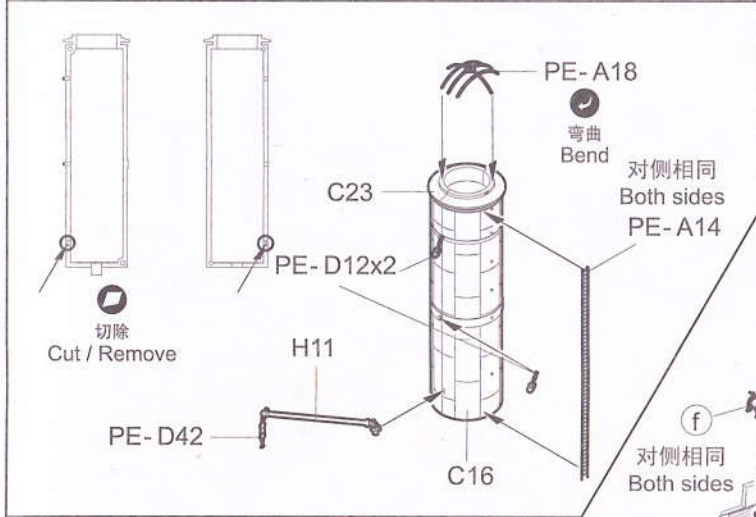
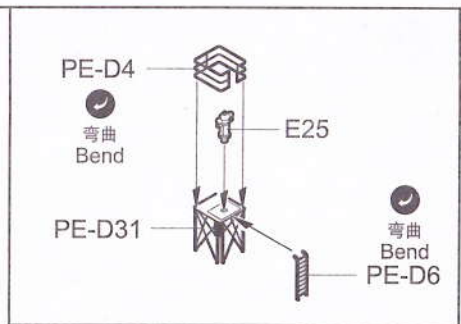


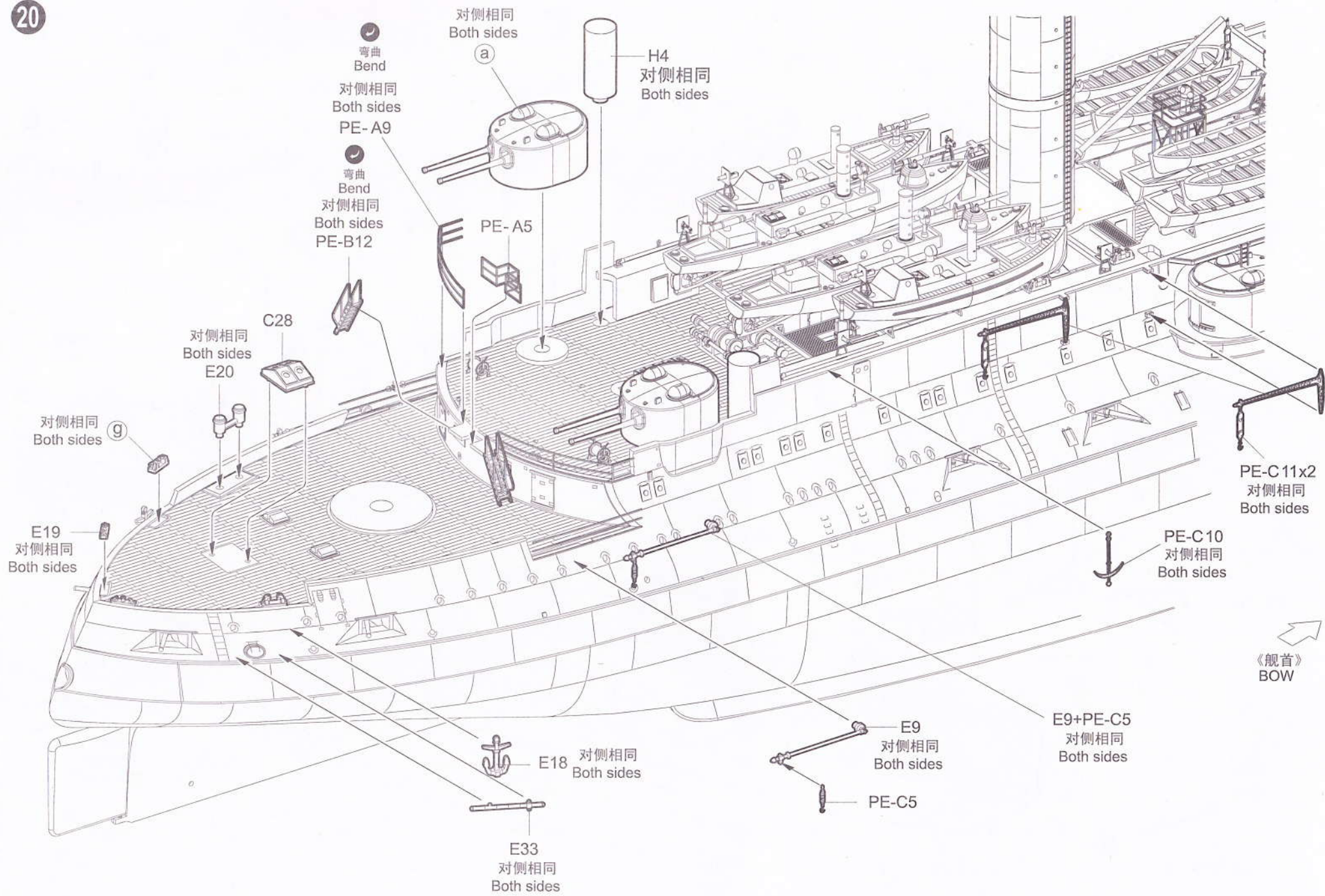
18

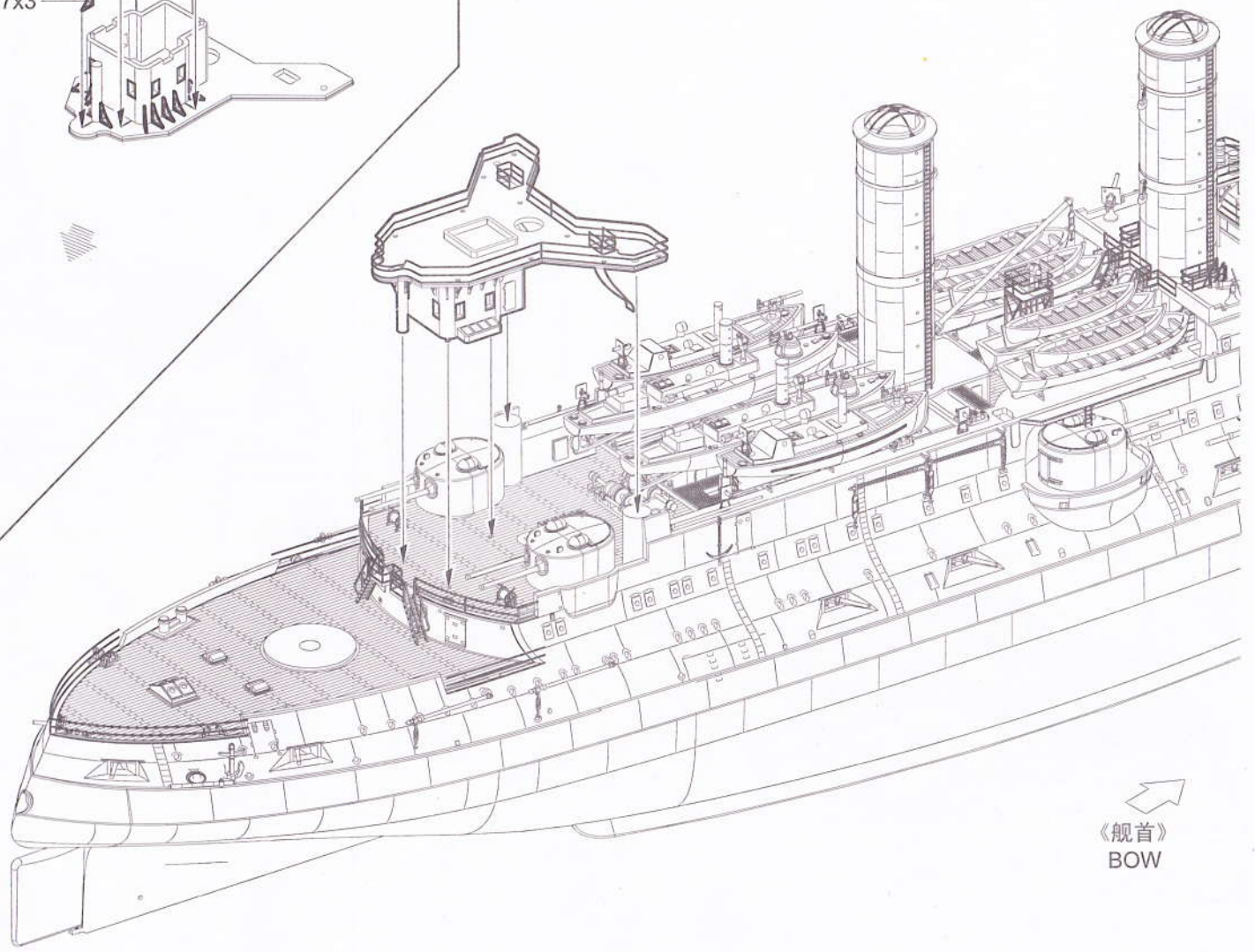
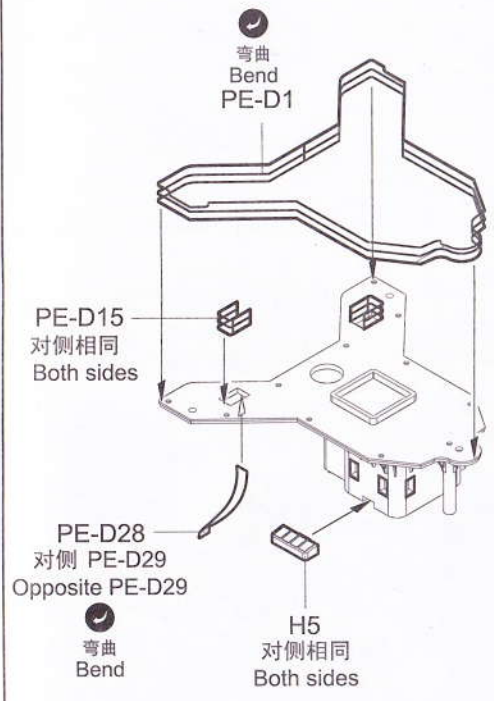
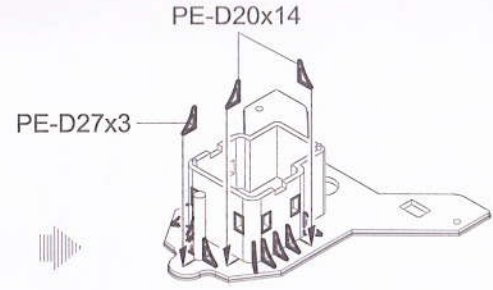
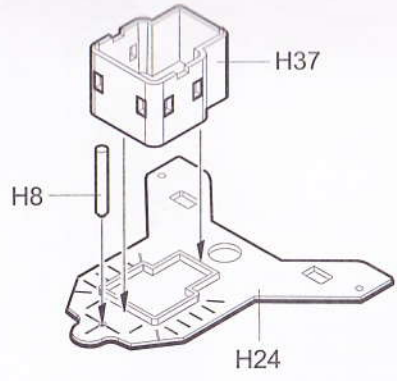


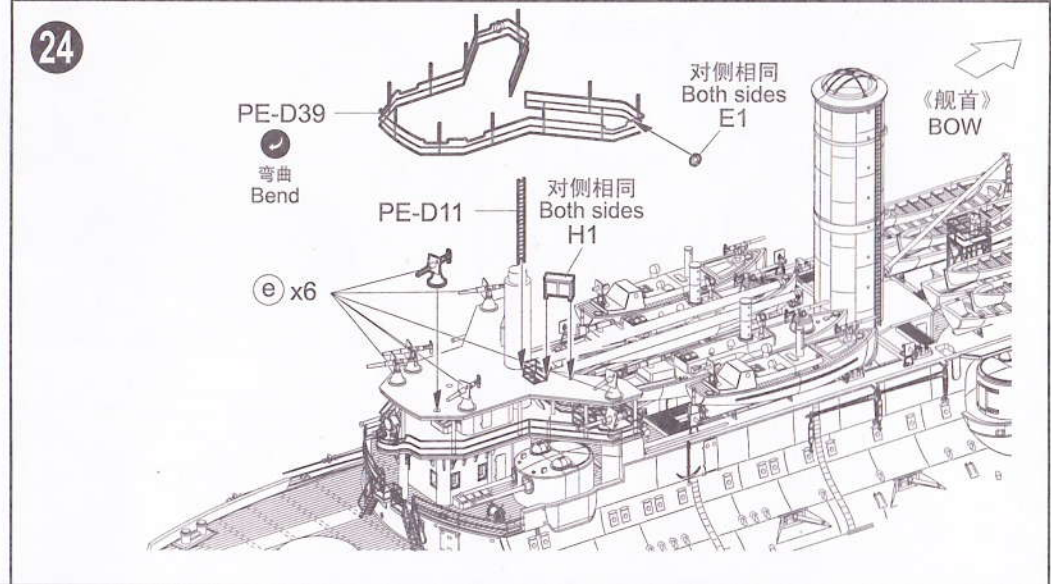
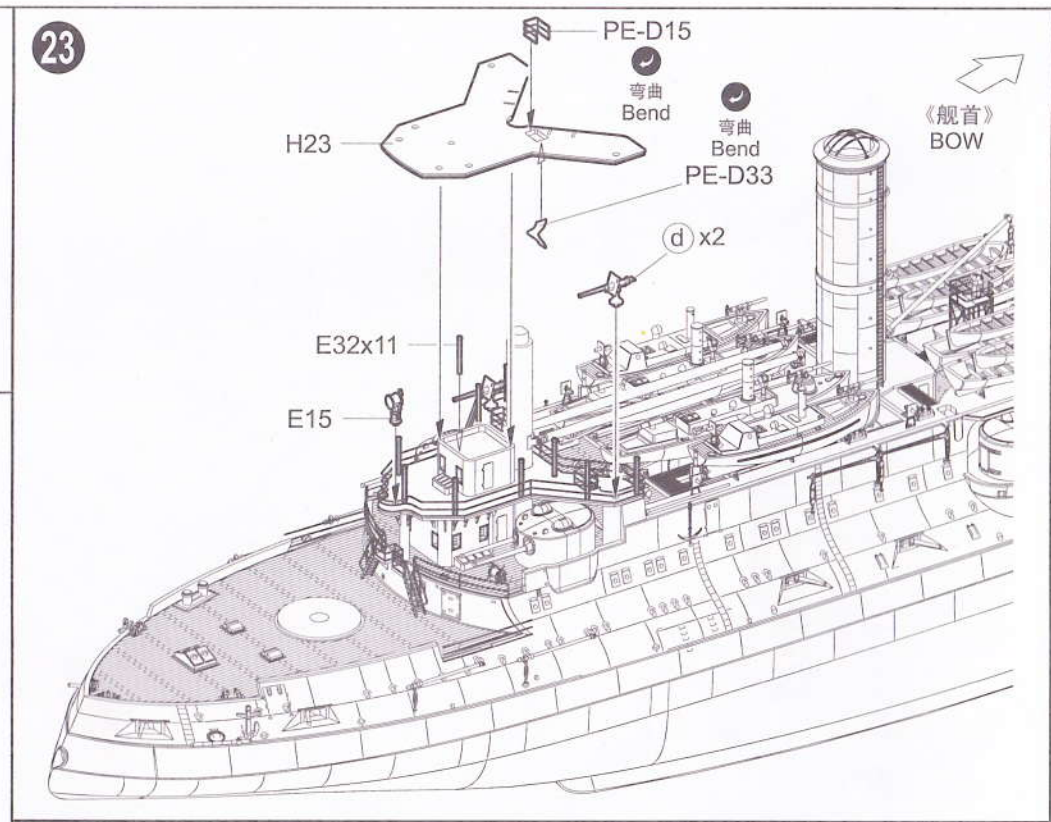
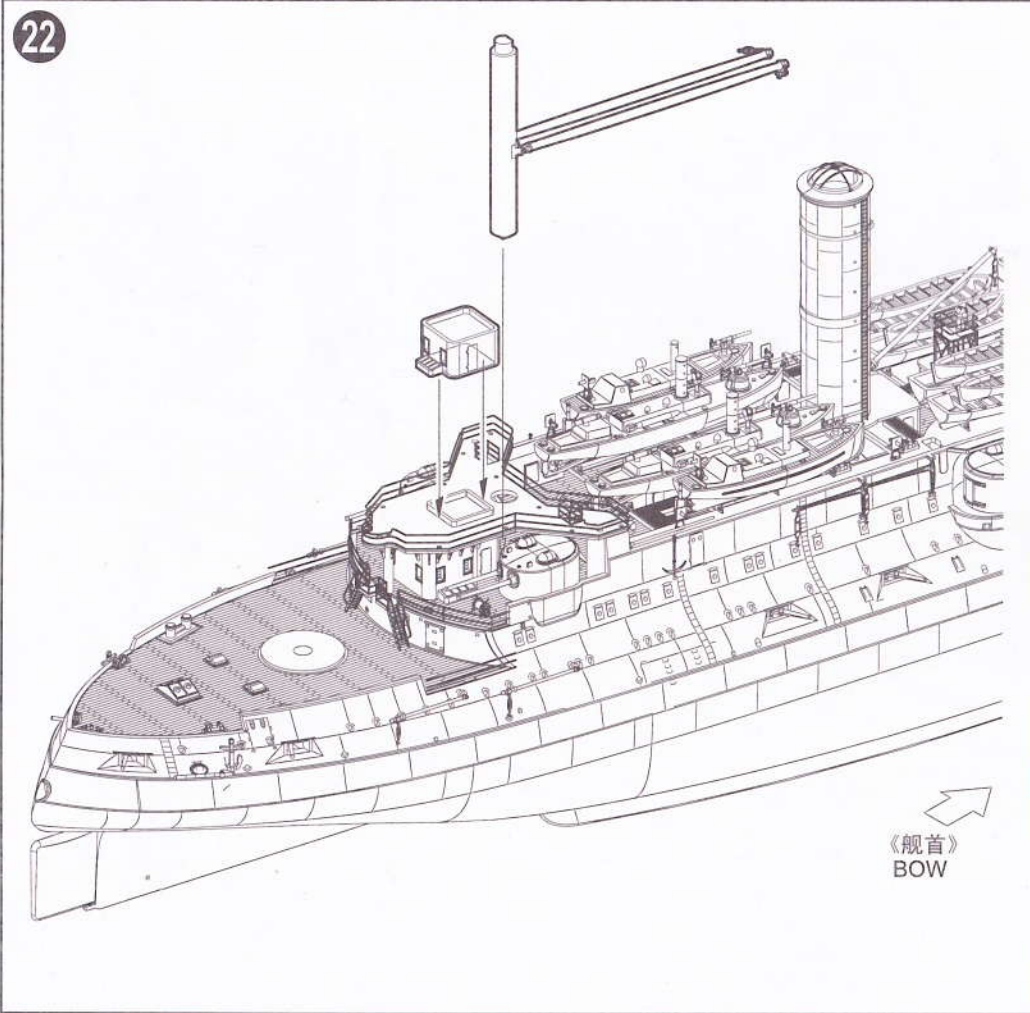
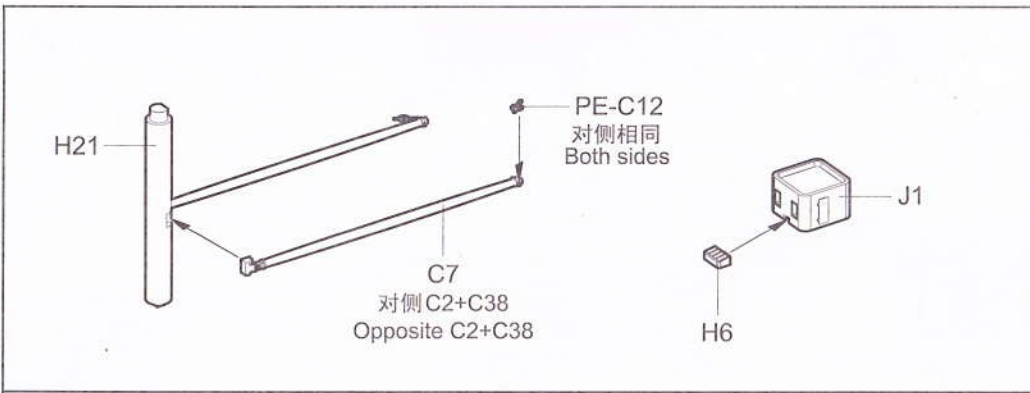


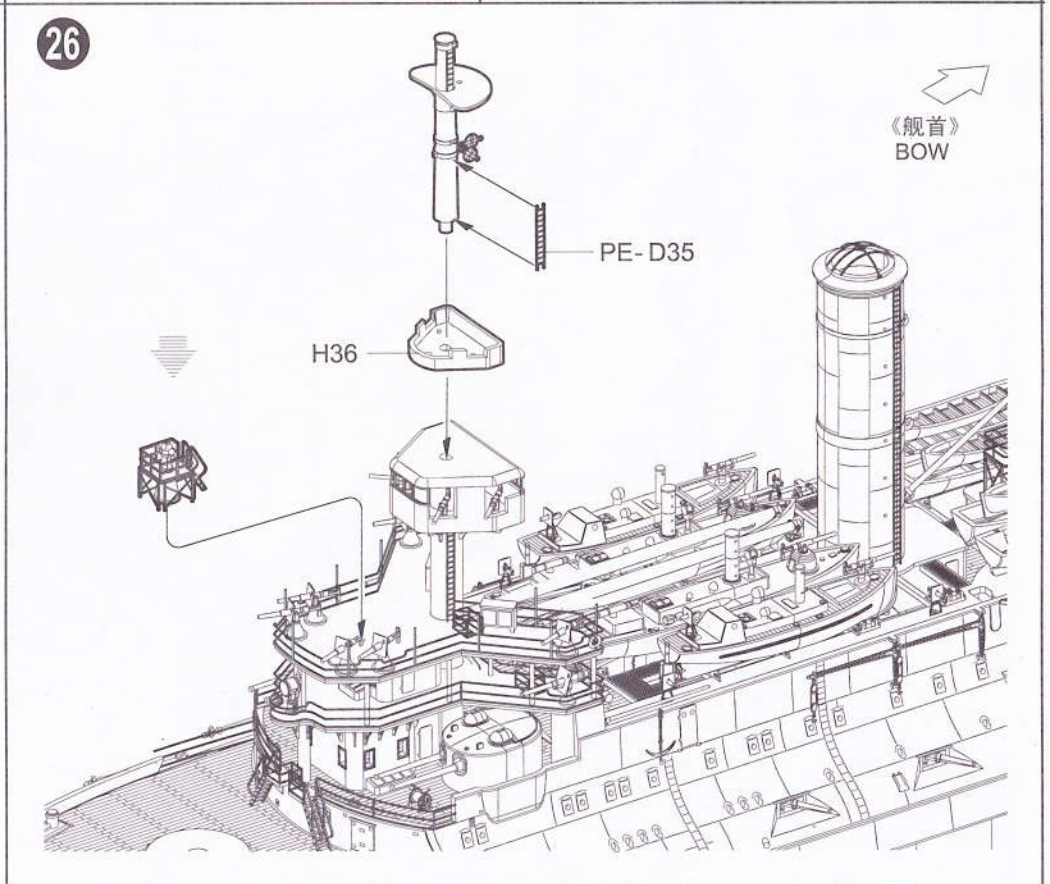
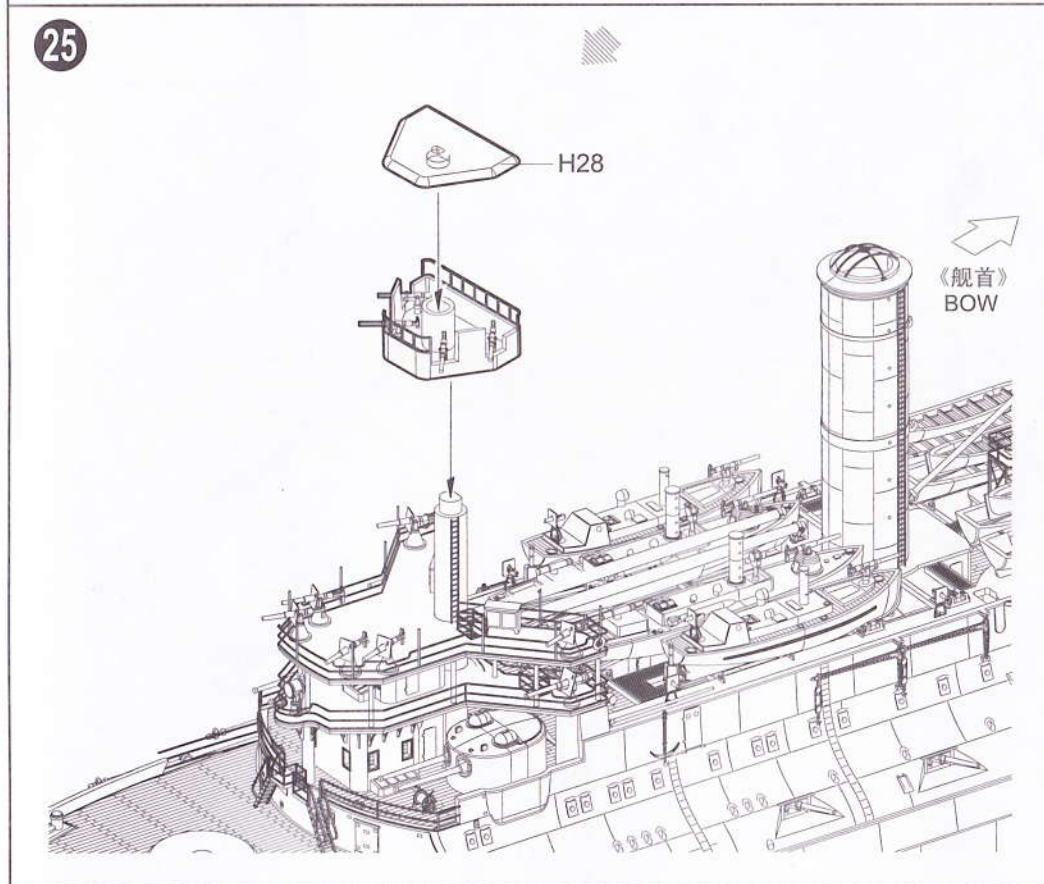
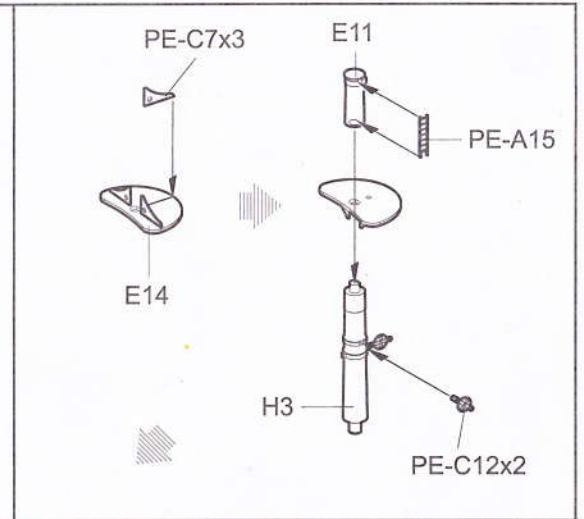
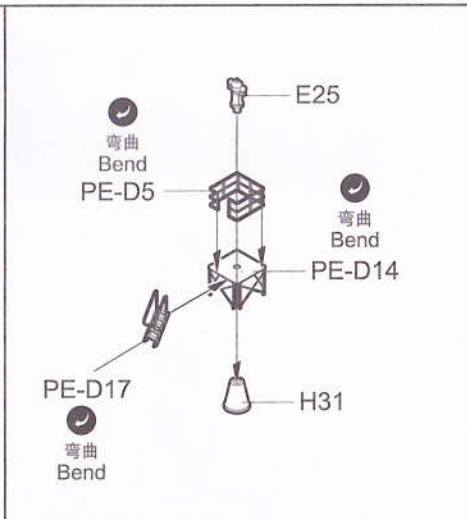
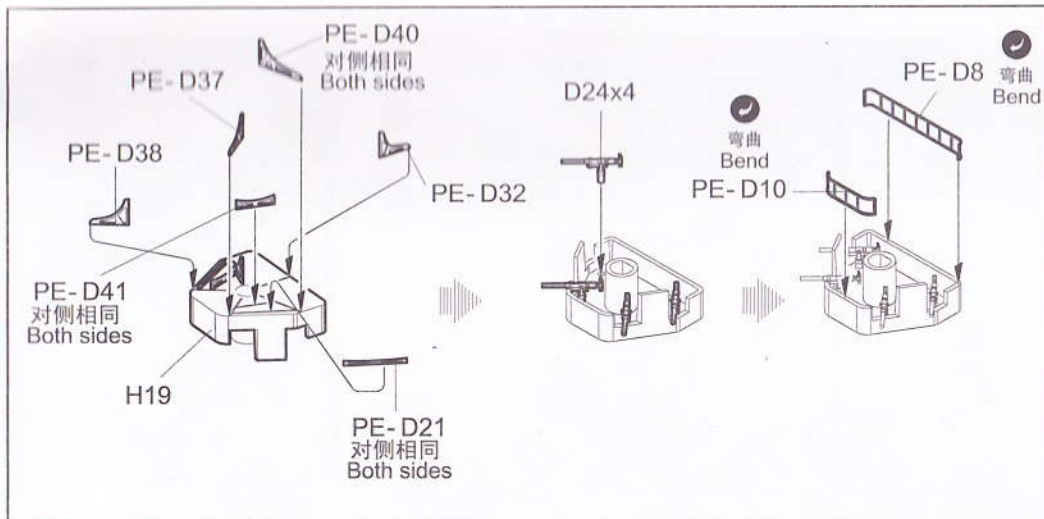
19



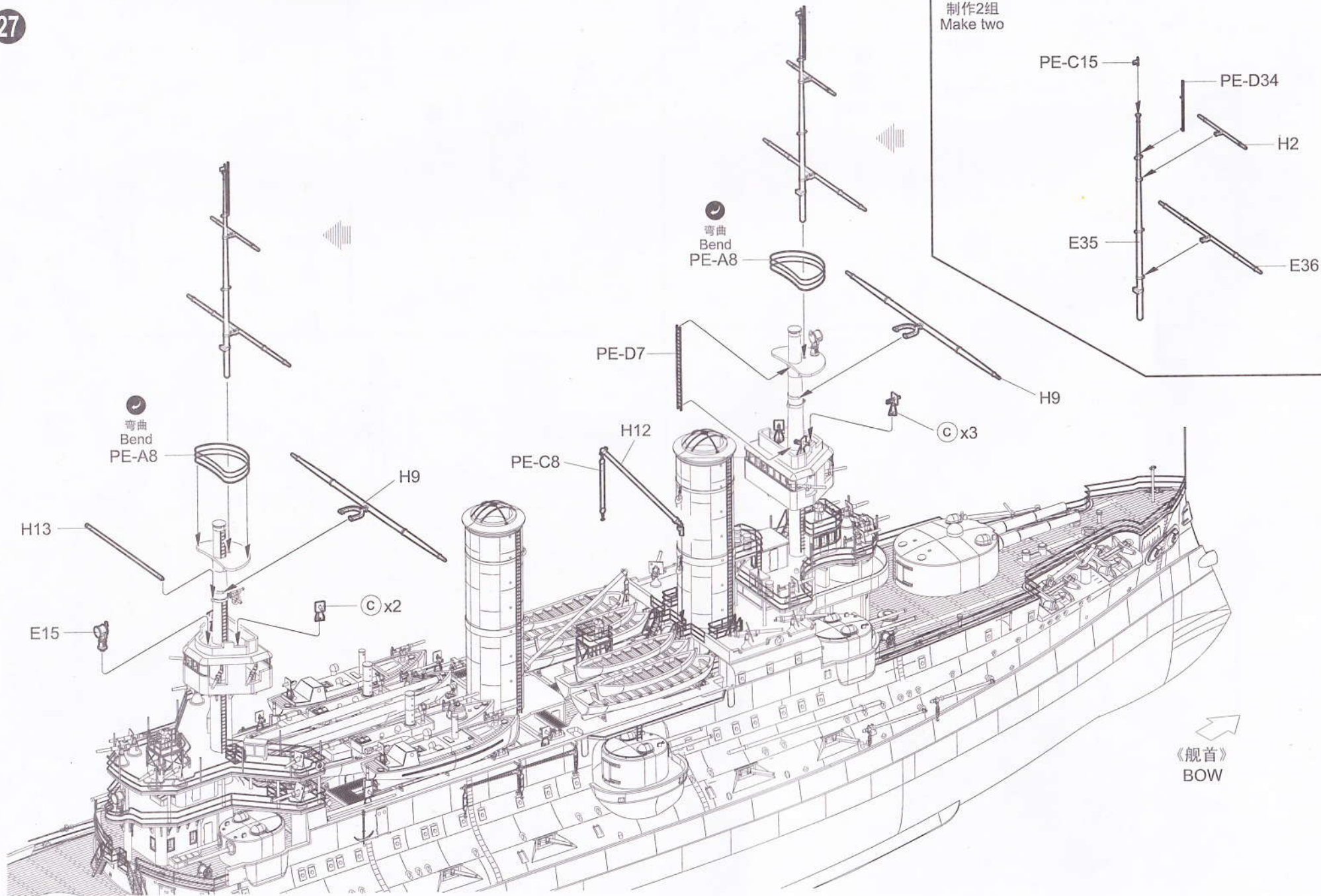


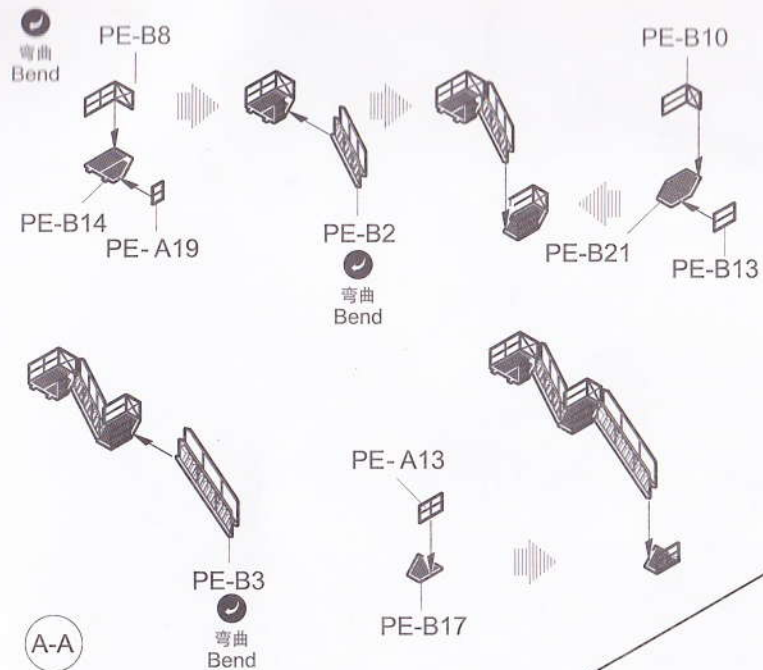




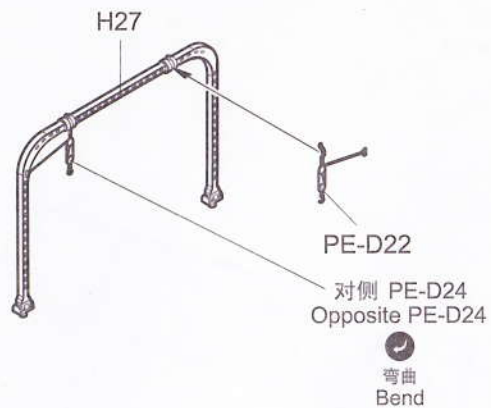
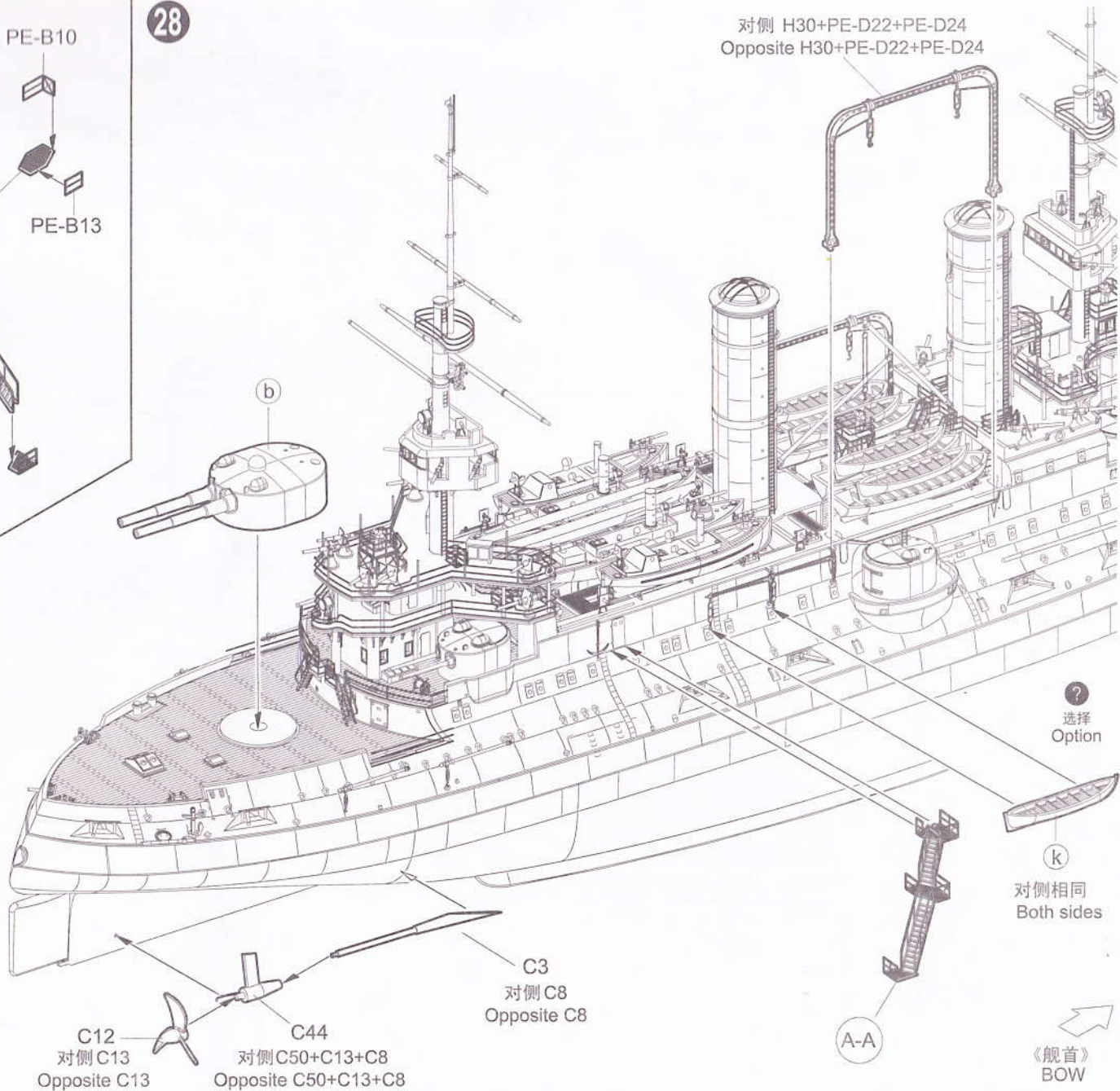


制作2组
Make two

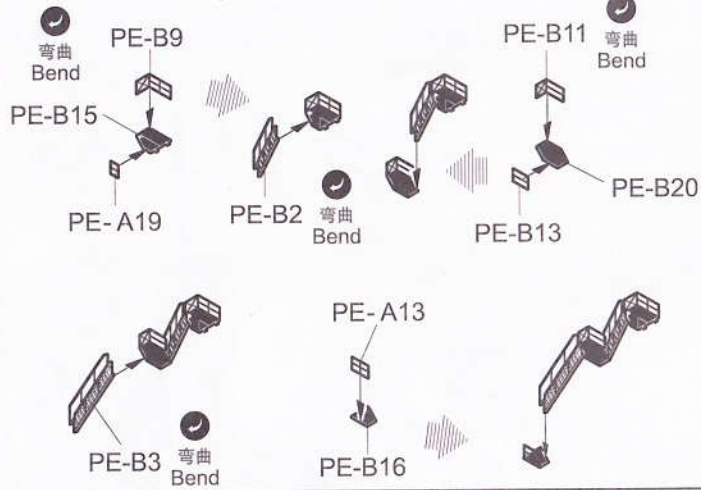




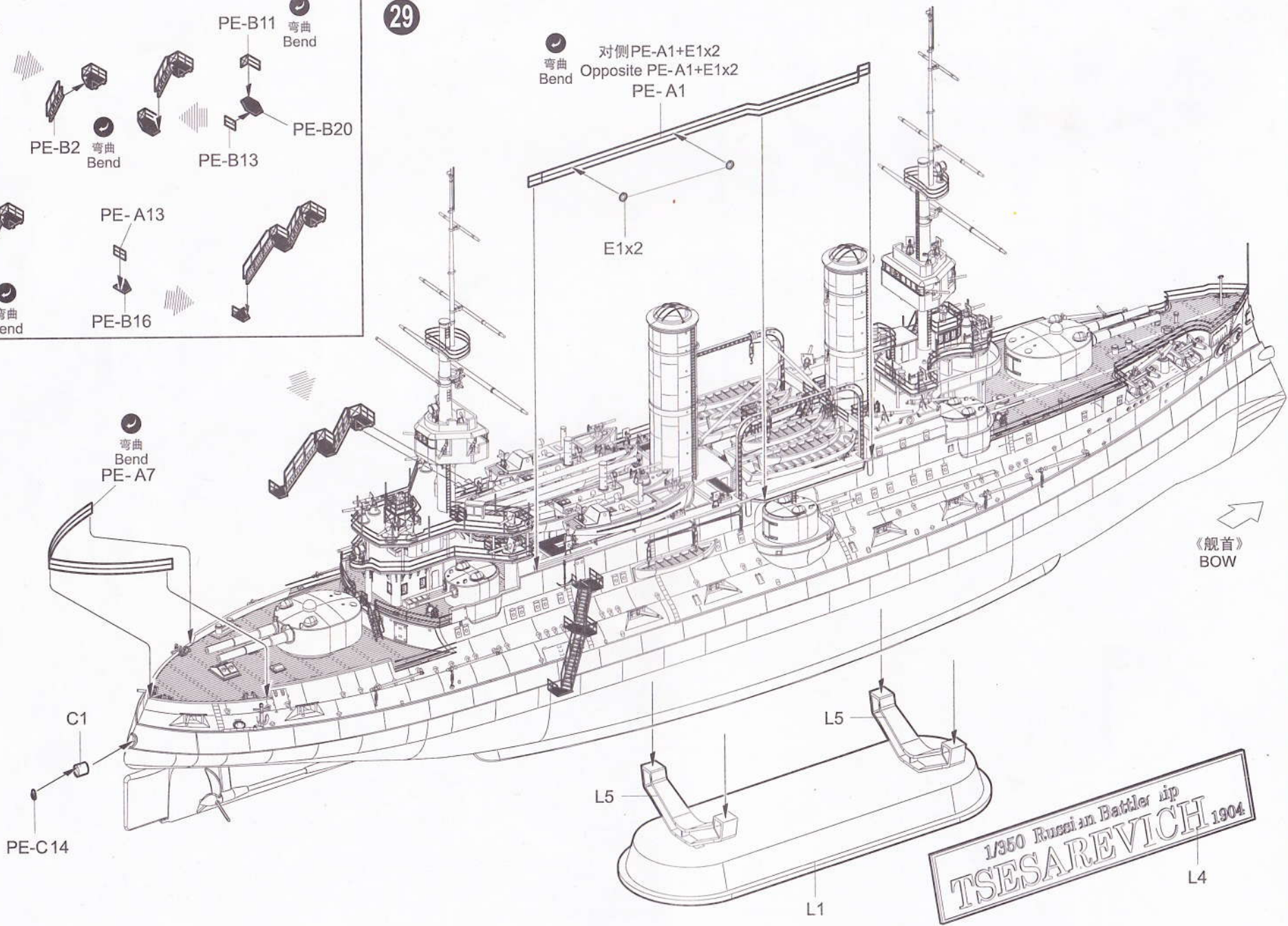
对侧 H30+PE-D22+PE-D24
Opposite H30+PE-D22+PE-D24



29



对侧PE-A1+E1x2
 Opposite PE-A1+E1x2
 PE-A1
 弯曲 Bend

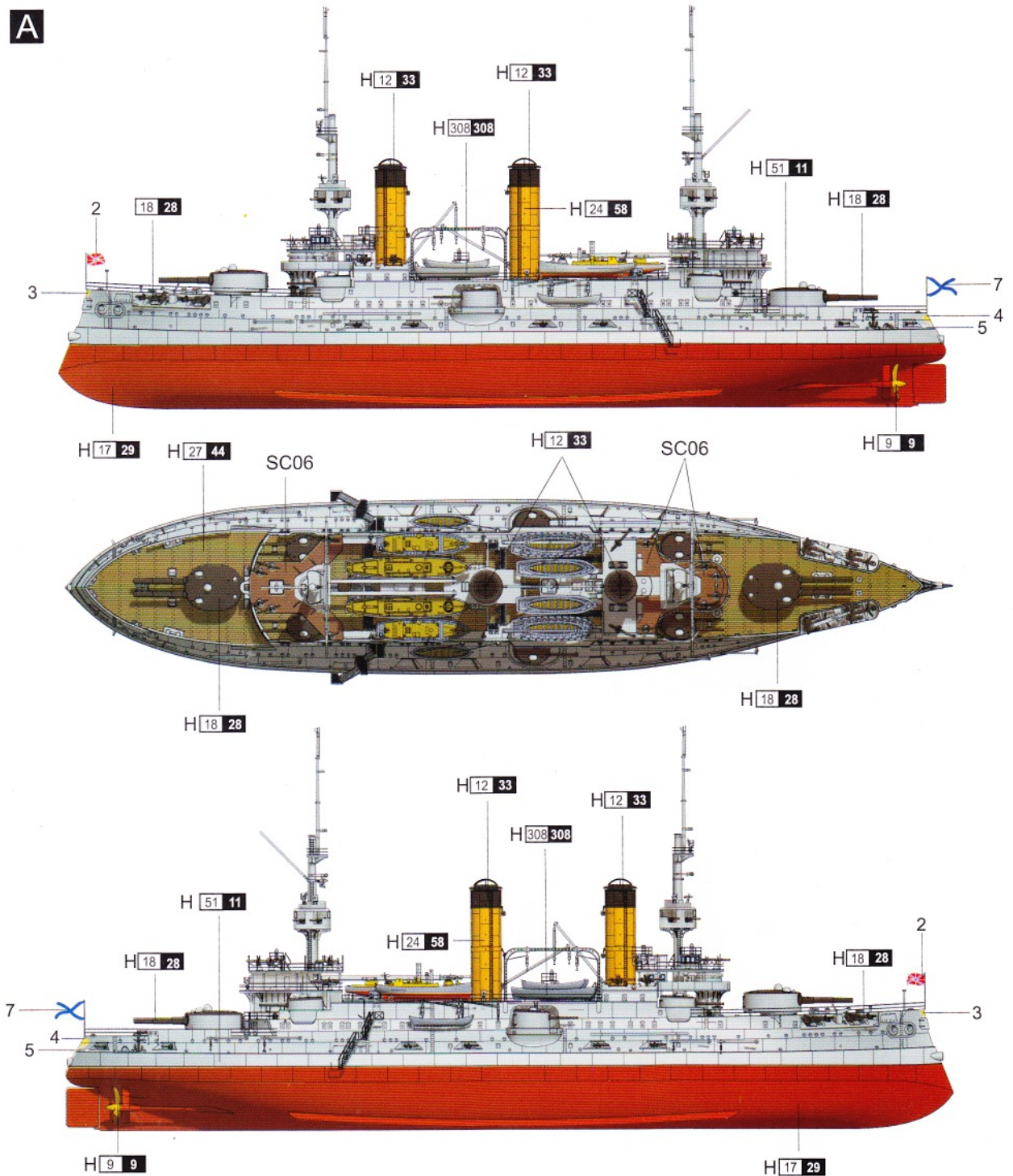


1/350 Russian Battleship
TSESAREVICH 1904

涂装同标贴指示 Painting & Marking guide

H AQUEOUS HOBBY COLOR ■ Mr. COLOR

A

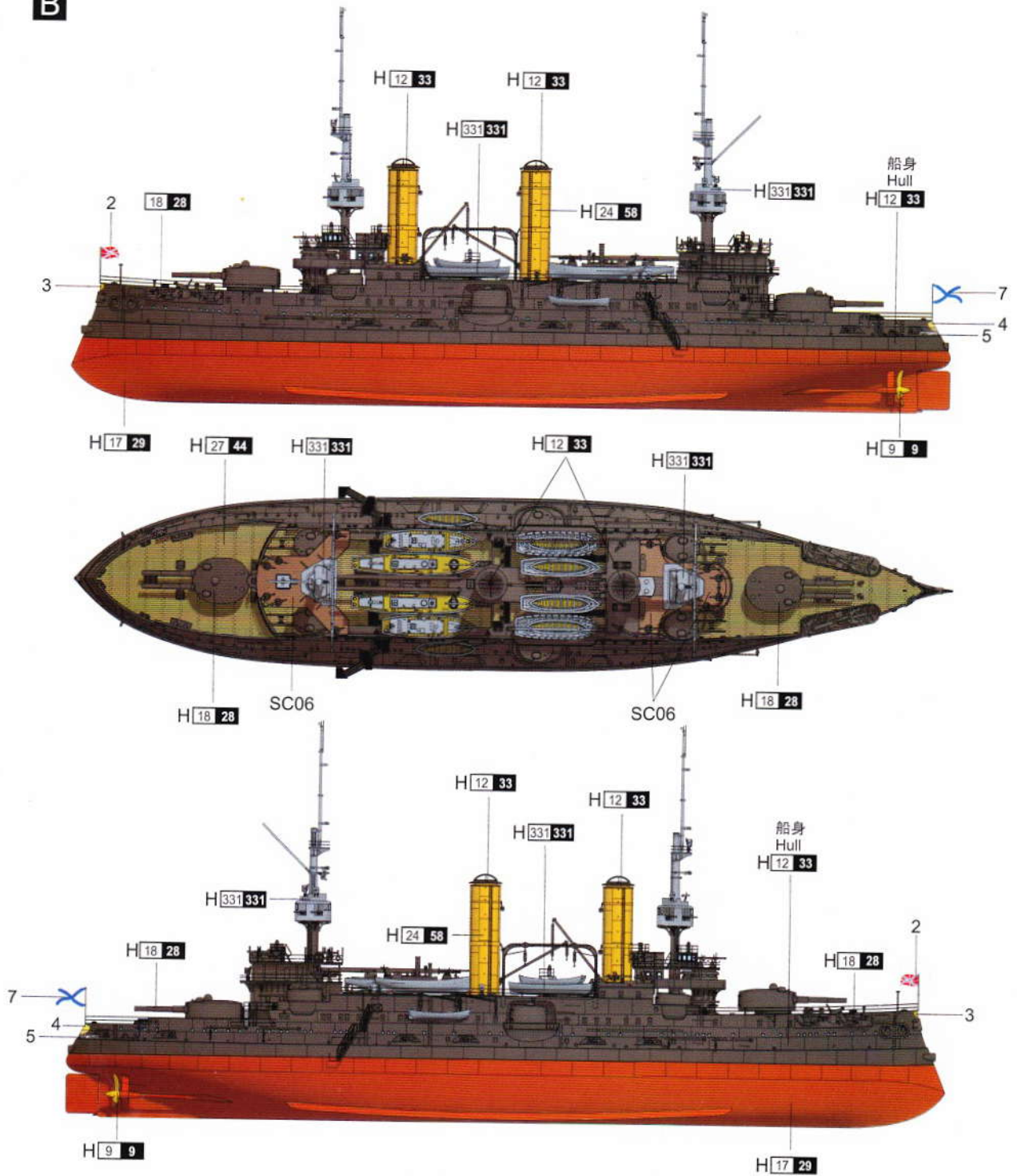


PAINT REFERENCE COLOUR						PAINT REFERENCE COLOUR					
Color	Mr.Hobby	Vallejo	Model Master	Tamiya	Humbrol	Color	Mr.Hobby	Vallejo	Model Master	Tamiya	Humbrol
Gold 金色	H 9 9	878	1744	XF12	16	Gray 灰色	H 308 308	990	1728	XF19	127
Cocoa Brown 舰底色	H 17 29	985	—	XF9	177	Light Gull Gray 浅灰色	H 51 11	990	—	—	—
Steel 黑铁色	H 18 28	864	1402	—	—	Orange Yellow 橘黄色	H 24 58	—	—	—	—
Flat Black 消光黑	H 12 33	950	1749	XF1	33	Tan 甲板色	H 27 44	981	—	—	9
SC06 油毡甲板色	SC06	—	—	—	—						

涂装同标贴指示 Painting & Marking guide

■ AQUEOUS HOBBY COLOR ■ Mr. COLOR

B



PAINT REFERENCE COLOUR						PAINT REFERENCE COLOUR					
Color	Mr.Hobby	Vallejo	Model Master	Tamiya	Humbrol	Color	Mr.Hobby	Vallejo	Model Master	Tamiya	Humbrol
Gold 金色	H 9 9	878	1744	XF12	16	Dark Seagray 深海灰	H 331 331	—	—	XF54	164
Cocoa Brown 赭褐色	H 17 29	985	—	XF9	177	Flat Black 消光黑	H 12 33	950	1749	XF1	33
Steel 黑铁色	H 18 28	864	1402	—	—	Orange Yellow 橙黄色	H 24 58	—	—	—	—
SC06 油漆甲板色	SC06	—	—	—	—	Tan 甲板色	H 27 44	981	—	—	9