



USS West Virginia BB-48 1945

美国海军西弗吉尼亚号BB-48 1945战列舰

READ BEFORE ASSEMBLY:

- Study and understand these instructions thoroughly before beginning assembly
- When needed, remove photo-etch parts carefully using a modeling knife or photo etch sprue cutter, being careful not to damage or lose small parts.
- Take extra care in handling photo etch parts in order to avoid injury
- Apply instant cement sparingly to photo etch parts where instructed
- Tools recommended(not included in kit):Plastic and instant cements, sprue cutters,long nose pliers,modeling knife, small files, tweezers, pin vise & scissors. Soft cloth and sandpaper will also assist in construction
- Glue and paint are not included in the kit. Use plastic cement and hobby paints only. Color guide for purchasing paint is included in the kit.

装配之前仔细阅读

- 小心用模型锉刀锉平所有零件表面的注射浇口。
- 小心用刀片切下蚀刻片零件，不要遗失小零件。
- 用强力快干胶水粘合蚀刻片零件和金属轴。过量快干胶水使用可能导致可动零件会粘住，小心涂胶。
- 取蚀刻片时应特别注意安全，防止利边划伤手指。
- 某些零件表面需贴上水贴纸，请选择在装配的同时进行。
- 推荐模型工具(自备)：胶水，水口剪刀，长咀钳，刀片，锉刀，镊子，钳，钻，剪刀，瞬间快干胶。
- 软布同砂纸同时也应该是必备工具。
- 请使用塑料胶水和油漆，模型内不含。



配重
Weight



使用强力胶
Cyanoacrylate glue



钻孔
Make hole



切除
Cut / Remove



贴纸
Decal



锉平
File / Sand



选择
Option



不涂胶水
No cement



弯曲
Bend

水贴纸的使用:

- 1.从水贴纸上剪下印花;
- 2.将印花放入温水中浸10秒，然后放在干净布上。
- 3.拿着印花纸板将印花移到模型上;
- 4.手指蘸水将印花移到适当的位置;
- 5.用软布轻压印花直至水干，气泡消失

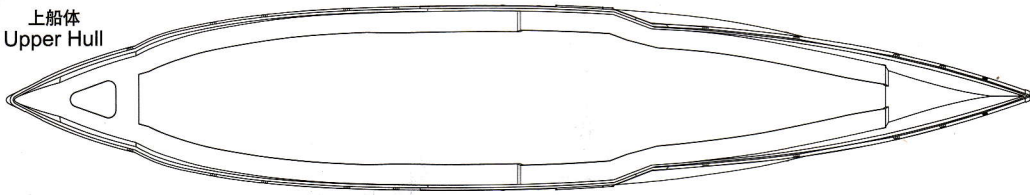
DECAL APPLICATION

- 1.Cut decals from sheet as needed
- 2.Dip the decal in warm water for about 10 seconds and then place on soft clean cloth.
- 3.Hold the decal backing sheet edge and gently slide the decal onto the model in its proper position.

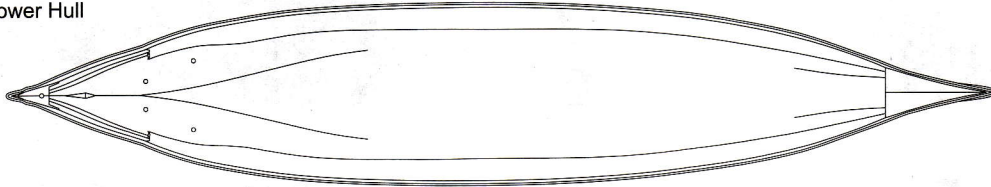
- 4.While still wet,decal can be adjusted for better fit on model by dampening it gently with your finger.
- 5.When placed in the proper position,gently press decal down with a soft cloth until excess water and air bubbles are gone.
- 6.Allow decal to dry completely before handling model

部品图 Parts

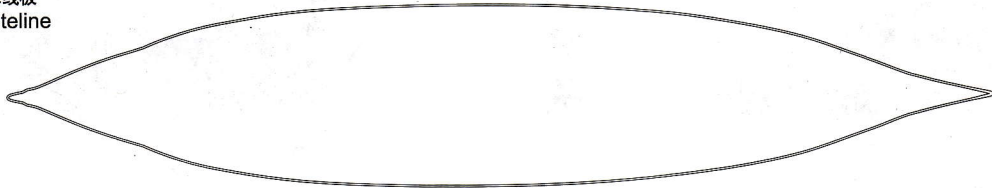
上船体
Upper Hull



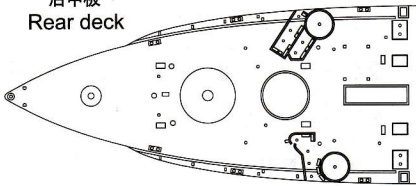
下船底
Lower Hull



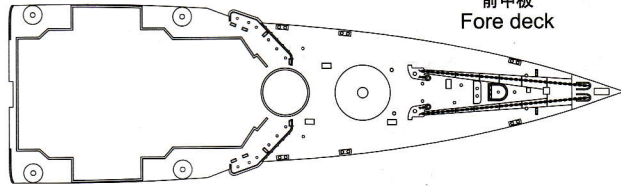
水线板
Wateline



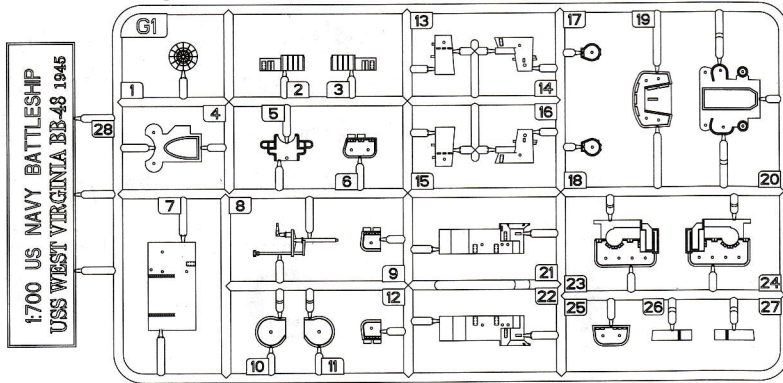
后甲板
Rear deck



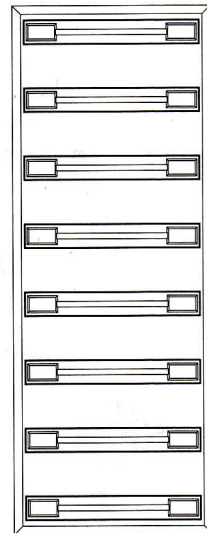
前甲板
Fore deck



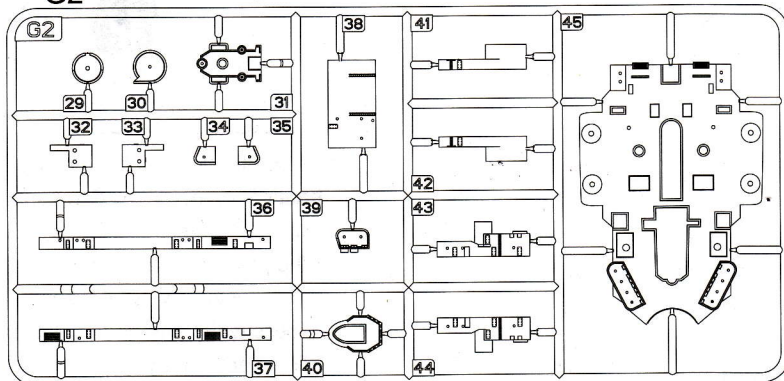
G1



底座
Stand

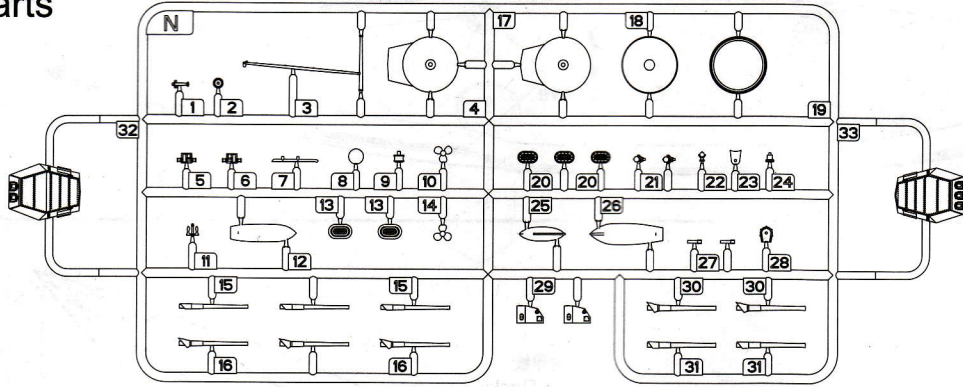


G2

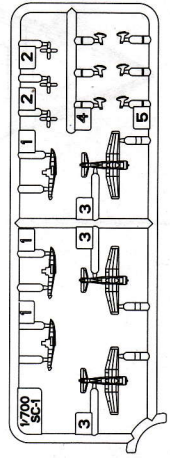


部品图
Parts

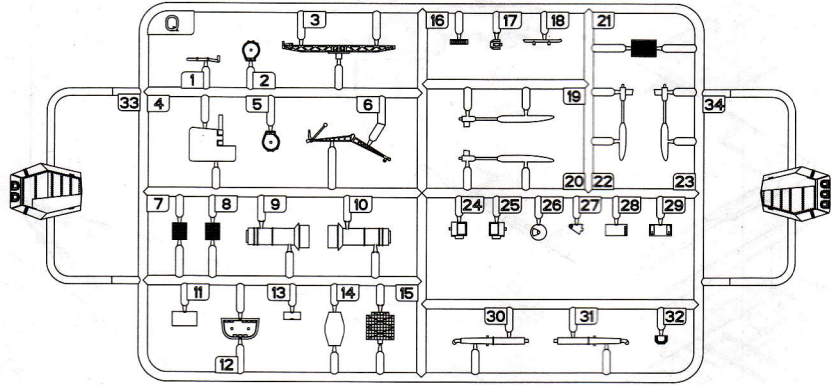
N×4



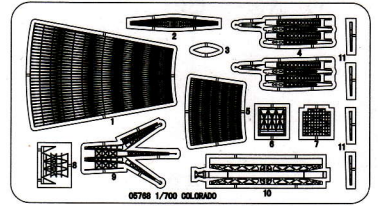
SC-1



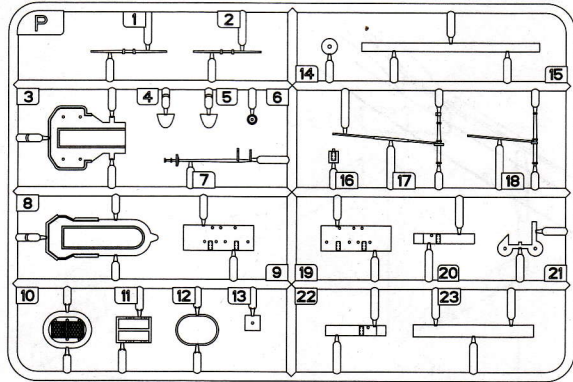
Q



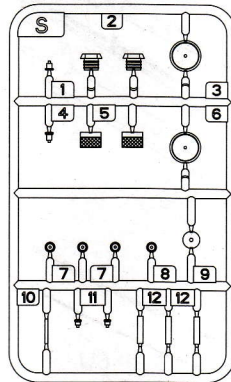
《蚀刻片》
PE



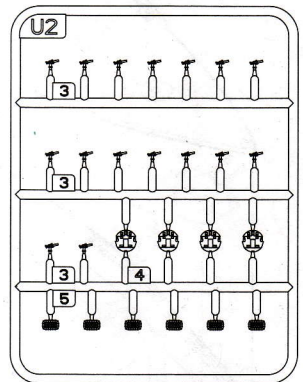
P



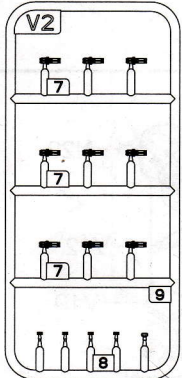
S×2



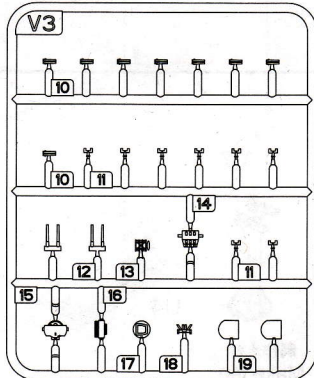
U2×4



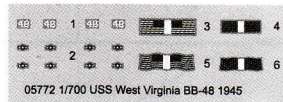
V2×4



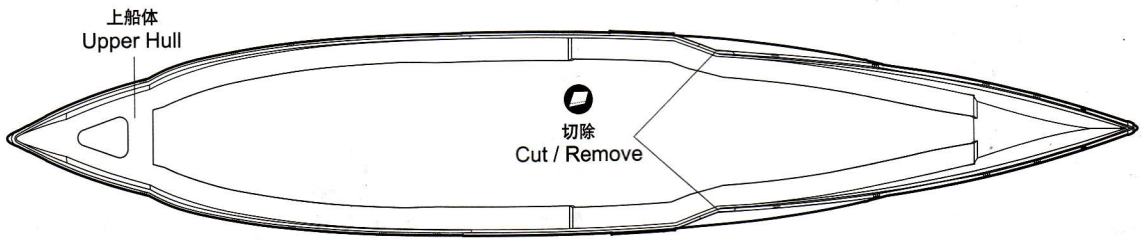
V3×4



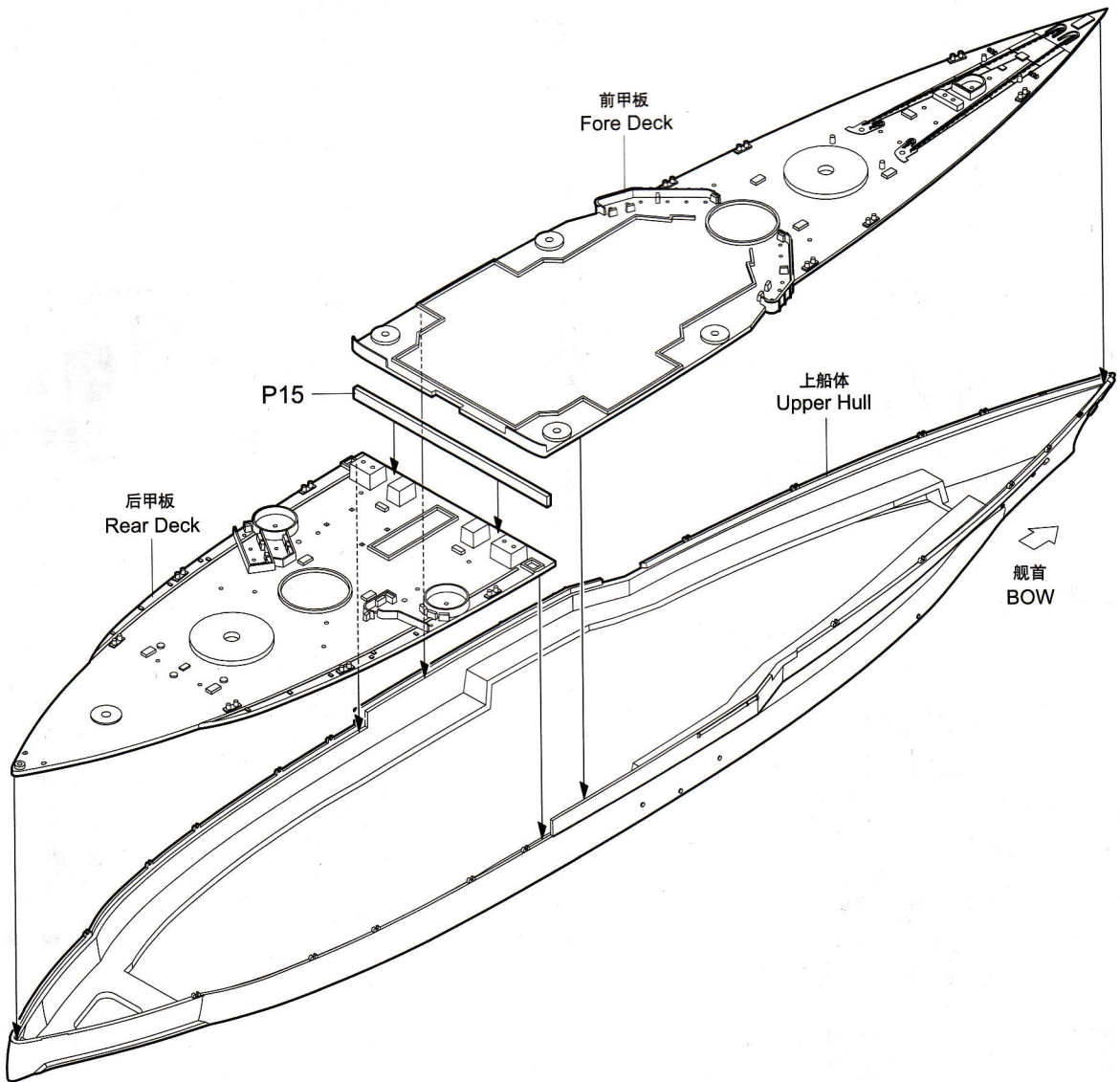
水贴
Decal



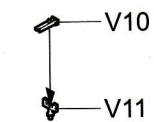
1



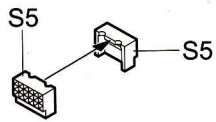
2



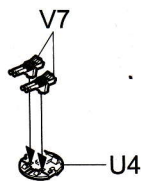
3



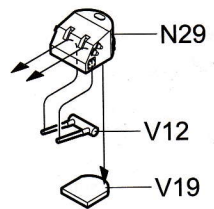
制作两件
Make two



制作两件
Make two

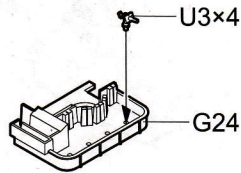
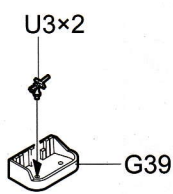
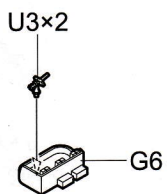
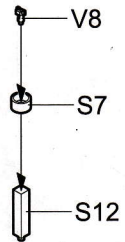
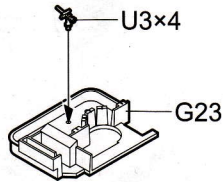
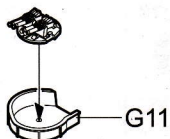
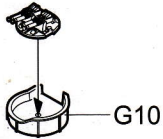
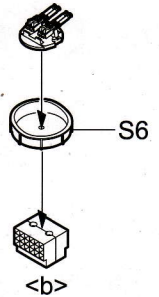
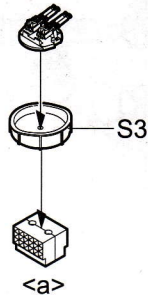
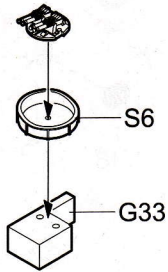
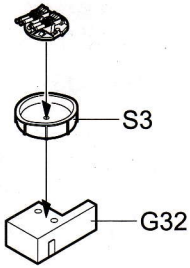


制作十件
Make ten

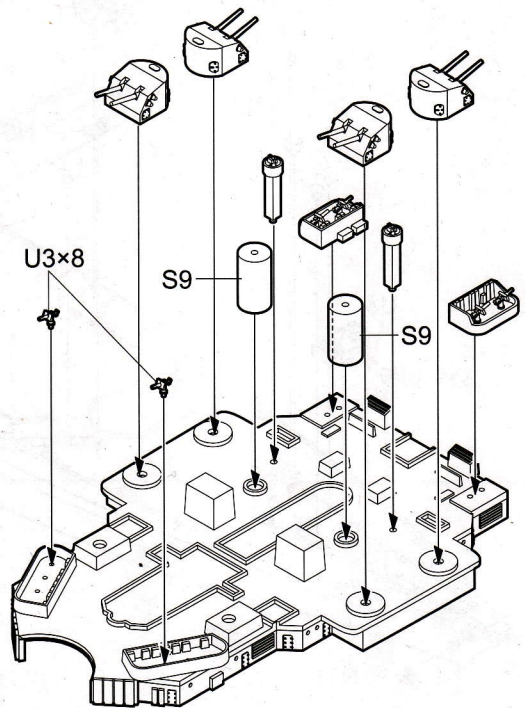
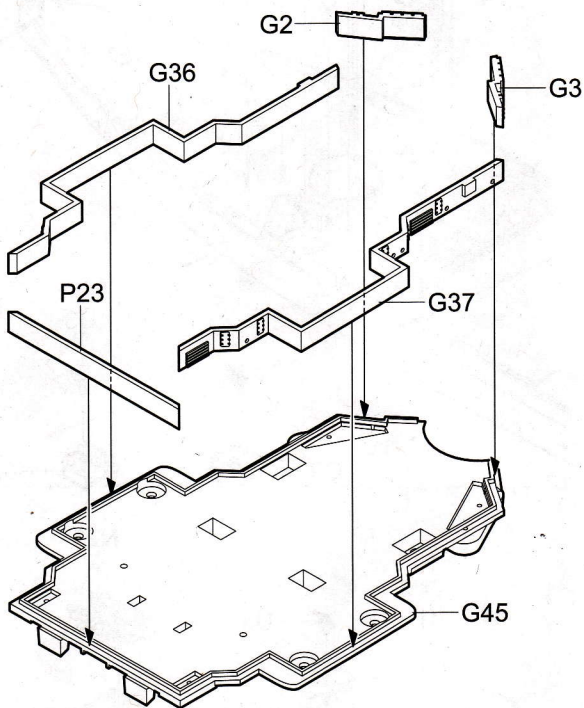


制作八件
Make eight

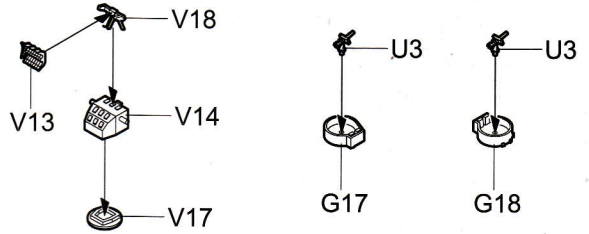
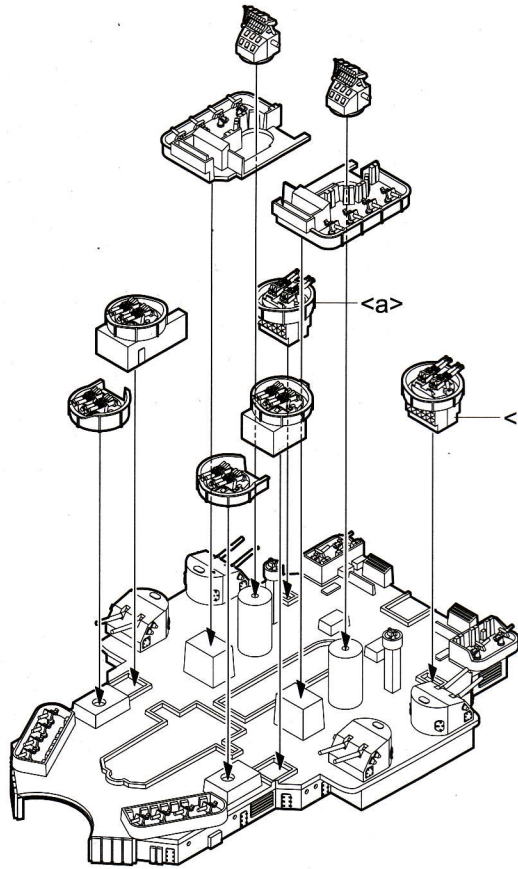
4



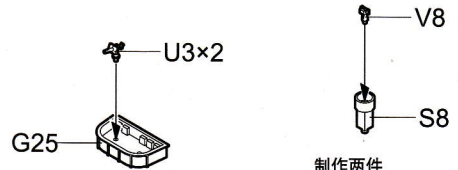
制作两件
Make two



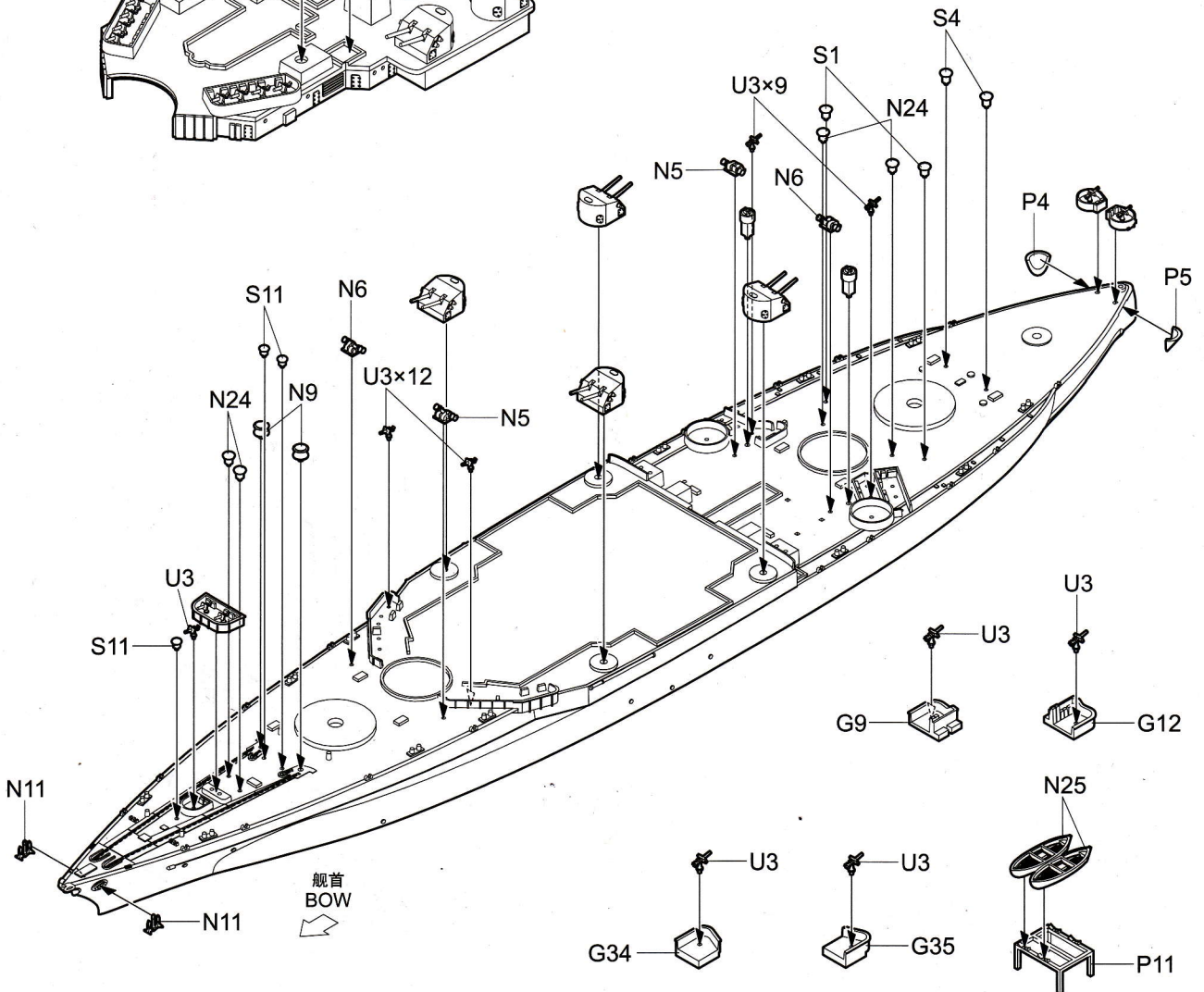
5



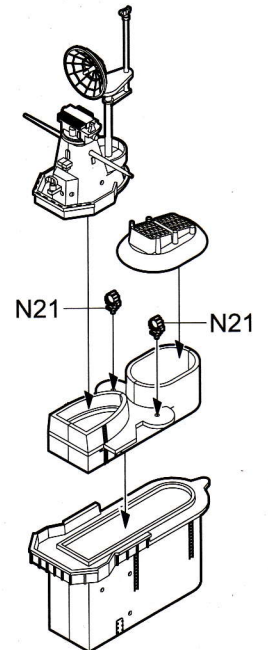
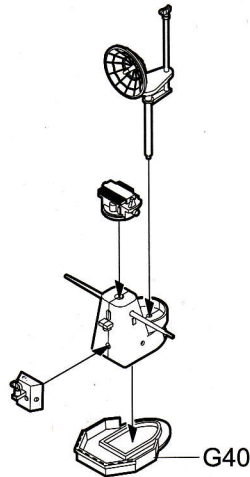
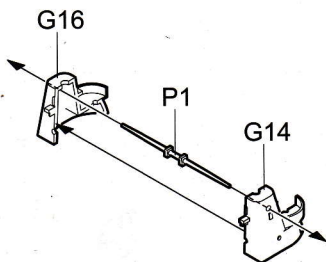
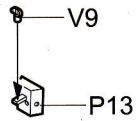
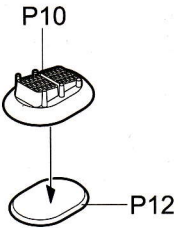
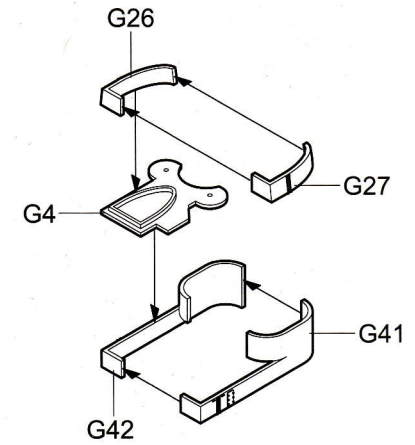
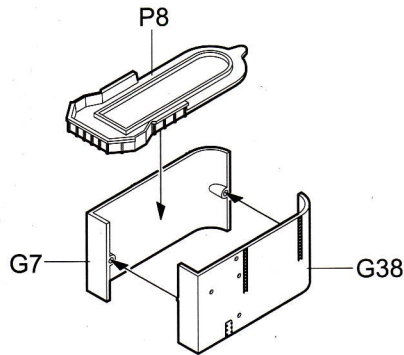
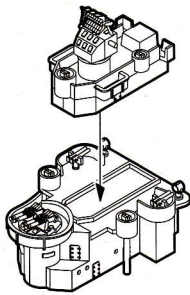
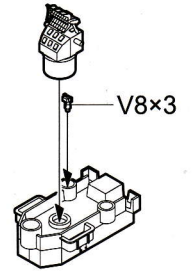
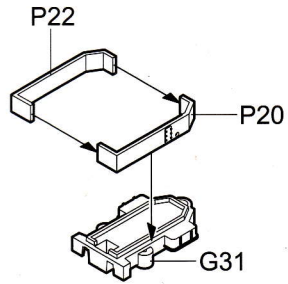
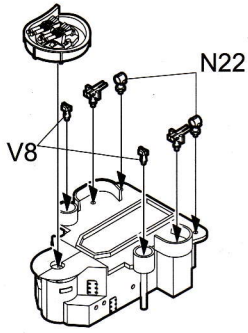
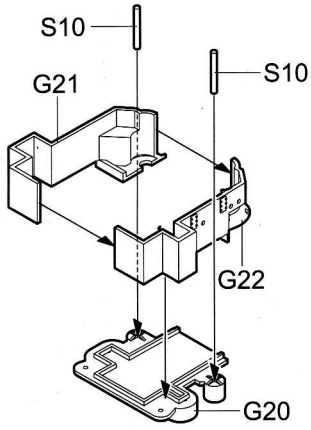
制作四件
Make four

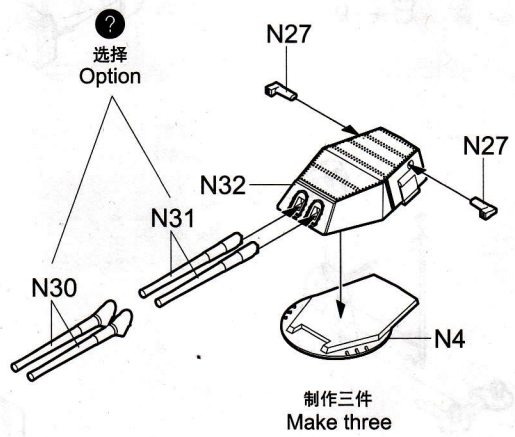
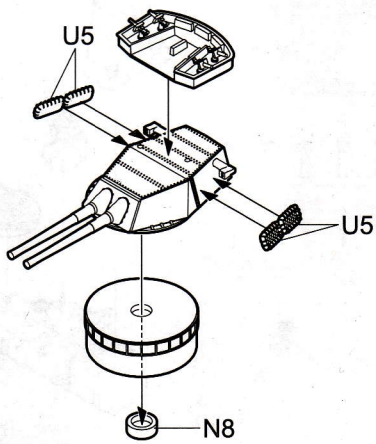
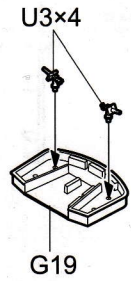
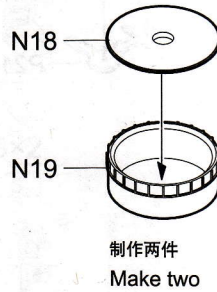
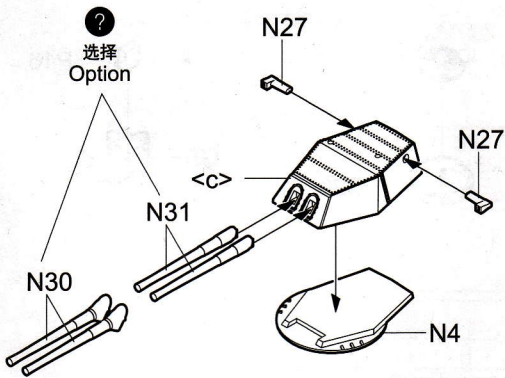
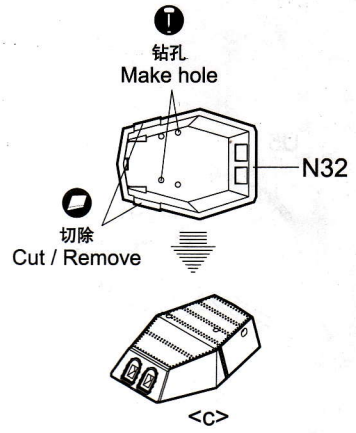
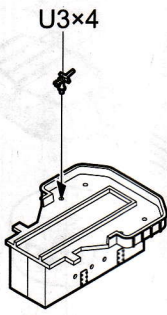
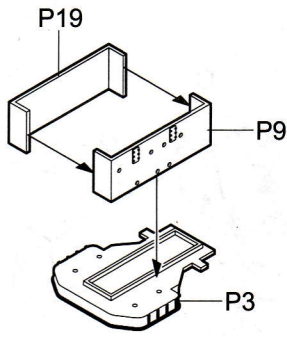


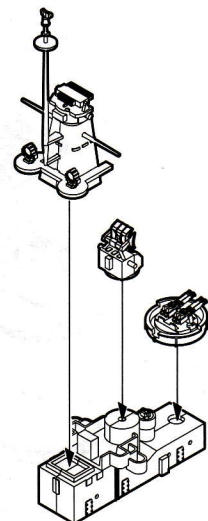
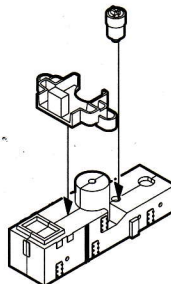
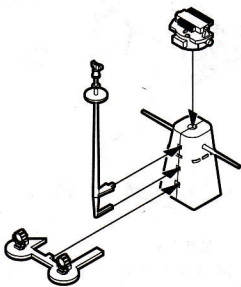
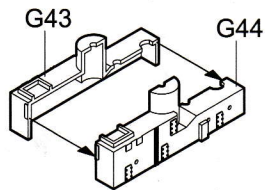
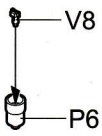
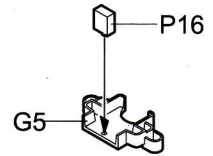
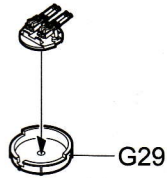
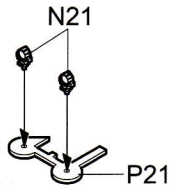
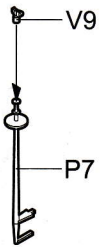
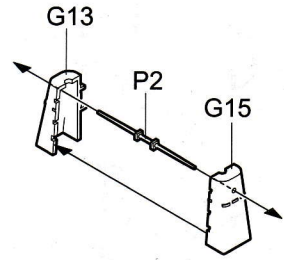
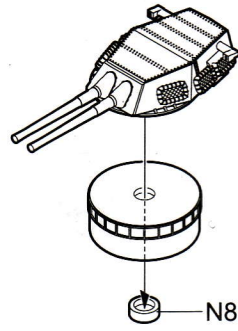
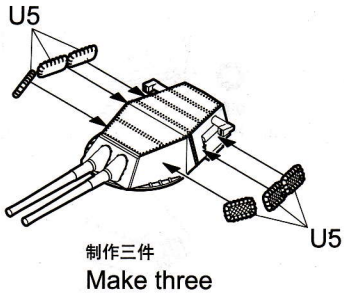
制作两件
Make two



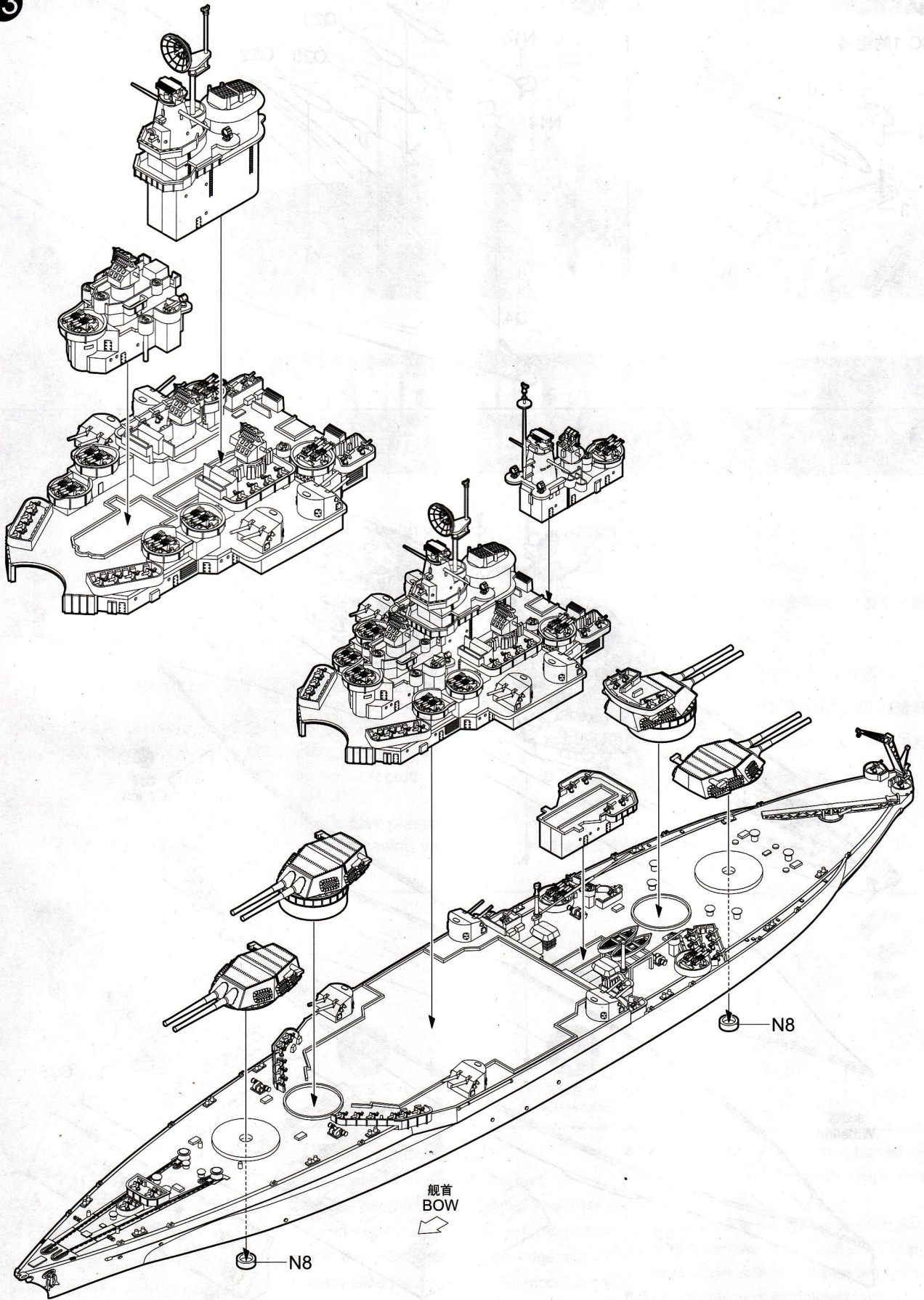
10







13

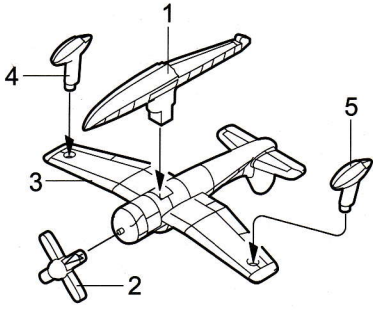


05772

11

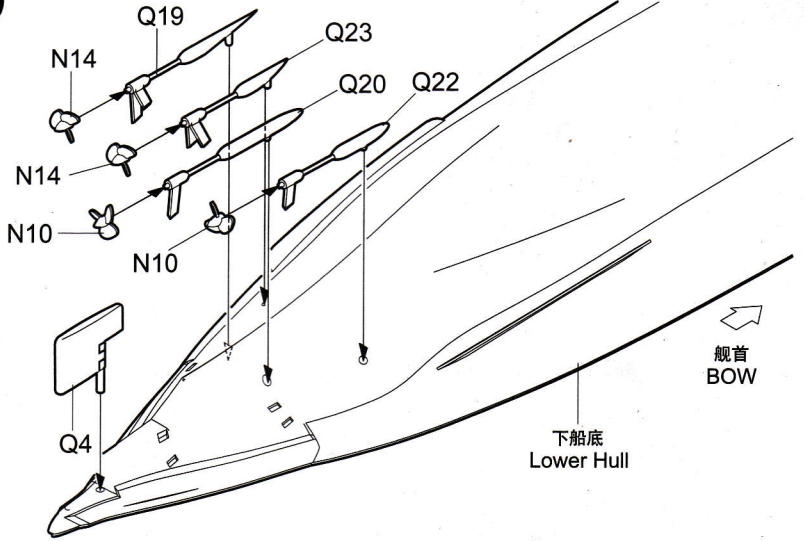
14

SC-1的组装

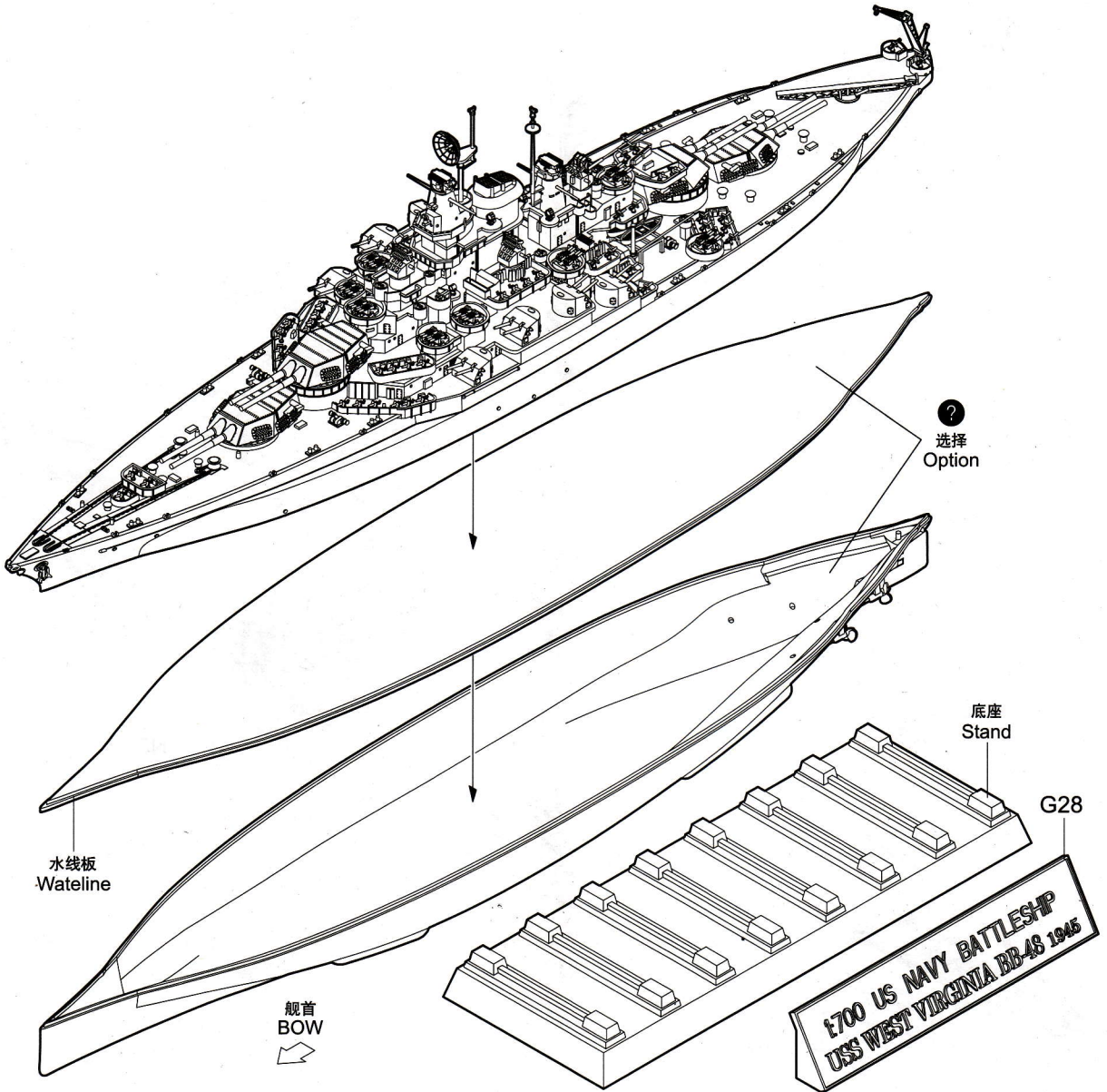


制作三件
Make three

15



16

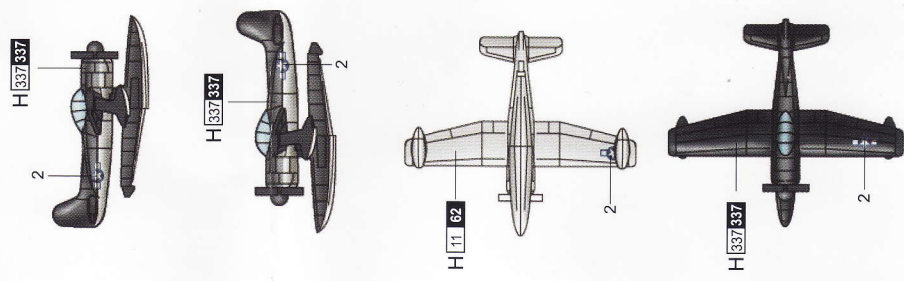
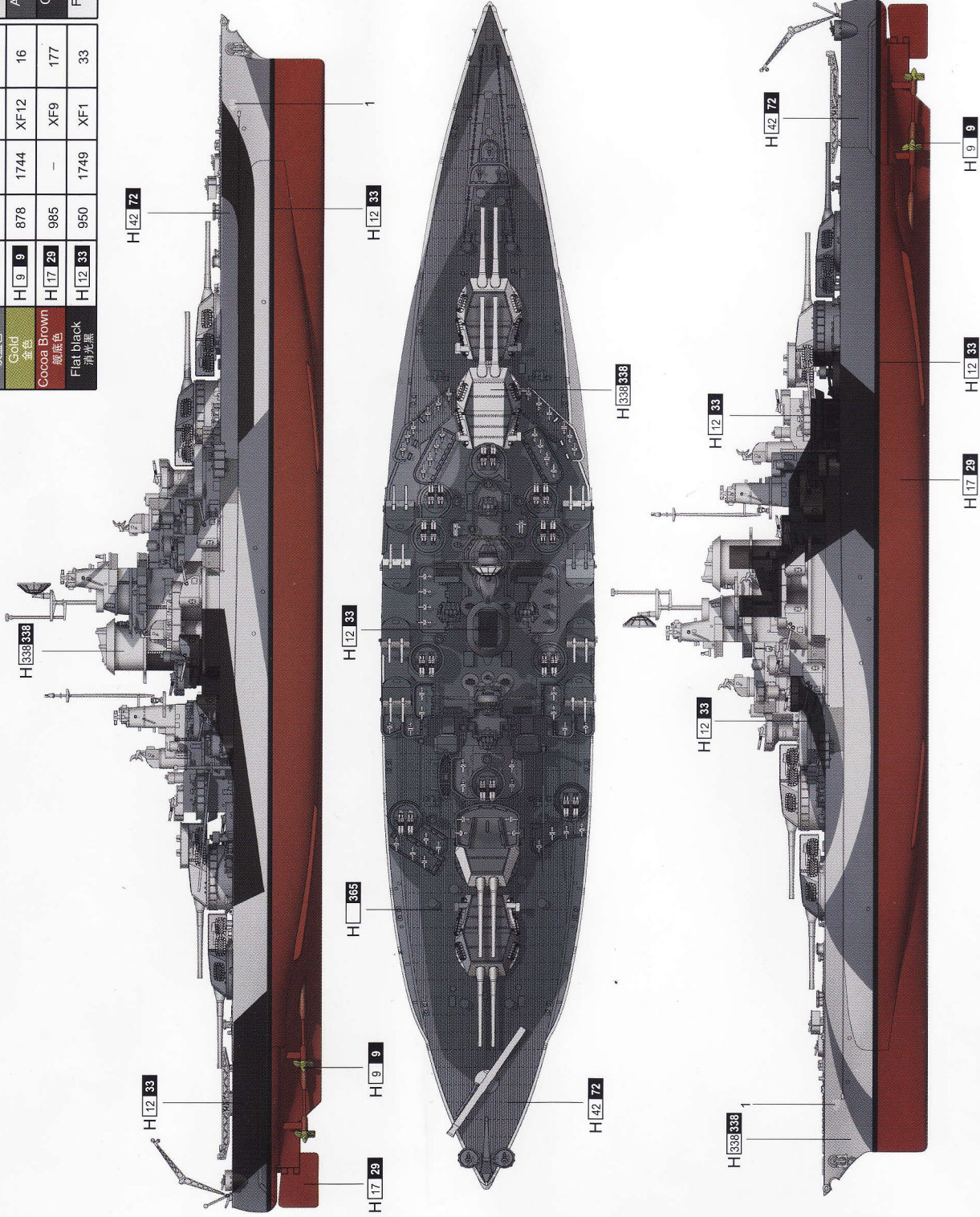


涂装同标贴指示 Painting & Marking guide

PAINT REFERENCE COLOUR

Color	Mr.Hobby	Vallejo	Model Master	Tamiya	Humbrol
Blue Grey 灰蓝色	H 42 72	903	1720	—	144
Gold 金色	H 9 9	878	1744	XF12	16
Cocoa Brown 巧克力色	H 17 29	985	—	XF9	177
Flat black 消光黑	H 12 33	950	1749	XF1	33

Color	Mr.Hobby	Vallejo	Model Master	Tamiya	Humbrol
Light Grey 浅灰色	H 338 338	907	1732	XF14	147
Anvy Blue 海军蓝	H 365	—	—	XF53	—
Gray Blue 浅灰蓝	H 337 337	—	1721	XF20	145
Flat White 消光白	H 11 62	951	1768	XF2	34



H AQUEOUS HOBBY COLOR ■ Mr. COLOR

05772 1/700 USS Virginia BB-48 1945