

# T-62 Mod.1962 (Iraq modification)

## 伊拉克共和国卫队T-62坦克1962年型

### READ BEFORE ASSEMBLY:

- Study and understand these instructions thoroughly before beginning assembly
- When needed, remove photo-etch parts carefully using a modeling knife or photo etch sprue cutter, being careful not to damage or lose small parts.
- Take extra care in handling photo etch parts in order to avoid injury
- Apply instant cement sparingly to photo etch parts where instructed
- Tools recommended(not included in kit):Plastic and instant cements, sprue cutters,long nose pliers,modeling knife, small files, tweezers, pin vise & scissors. Soft cloth and sandpaper will also assist in construction
- Glue and paint are not included in the kit. Use plastic cement and hobby paints only. Color guide for purchasing paint is included in the kit.

### 装配之前仔细阅读

- 小心用模型锉刀锉平所有零件表面的注射浇口。
- 小心用刀片切下蚀刻片零件，不要遗失小零件。
- 用强力快干胶水粘合蚀刻片零件和金属轴。过量快干胶水使用可能导致可动零件会粘住，小心涂胶。
- 取蚀刻片时应特别注意安全，防止利边划伤手指。
- 某些零件表面需贴上水贴纸，请选择在装配的同时进行。
- 推荐模型工具(自备)：胶水，水口剪刀，长咀钳，刀片，锉刀，镊子，钳，钻，剪刀，瞬间快干胶。
- 软布同砂纸同时也应该是必备工具。
- 请使用塑料胶水和油漆，模型内不含。



配重  
Weight



使用强力胶  
Cyanoacrylate glue



钻孔  
Make hole



切除  
Cut / Remove



贴纸  
Decal



锉平  
File / Sand



选择  
Option



不涂胶水  
No cement



弯曲  
Bend

### 水贴纸的使用:

- 1.从水贴纸上剪下印花;
- 2.将印花放入温水中浸10秒,然后放在干净布上.
- 3.拿着印花纸板将印花移到模型上;
- 4.手指蘸水将印花移到适当的位置;
- 5.用软布轻压印花直至水干,汽泡消失

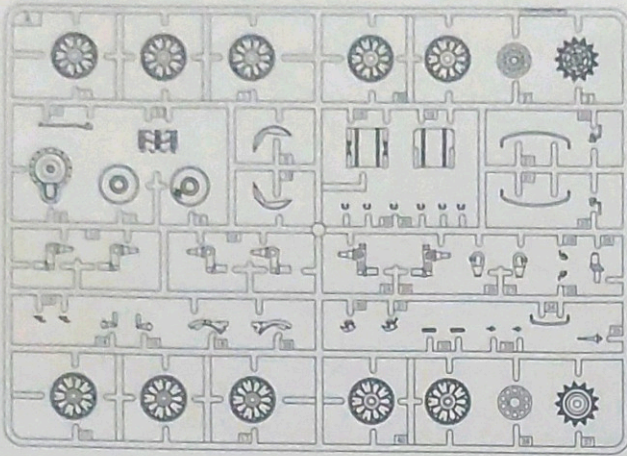
### DECAL APPLICATION

- 1.Cut decals from sheet as needed
- 2.Dip the decal in warm water for about 10 seconds and then place on soft clean cloth.
- 3.Hold the decal backing sheet edge and gently slide the decal onto the model in its proper position.

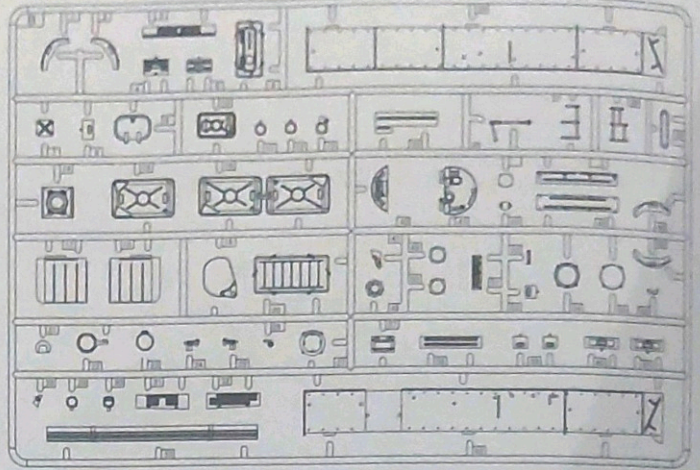
- 4.While still wet,decal can be adjusted for better fit on model by dampening it gently with your finger.
- 5.When placed in the proper position,gently press decal down with a soft cloth until excess water and air bubbles are gone.
- 6.Allow decal to dry completely before handling model

部品图 Parts

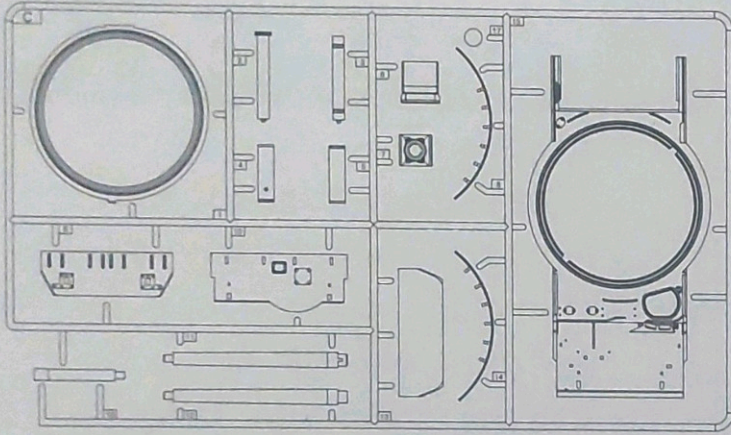
Ax2



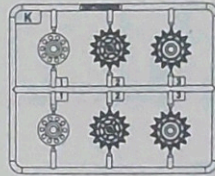
B



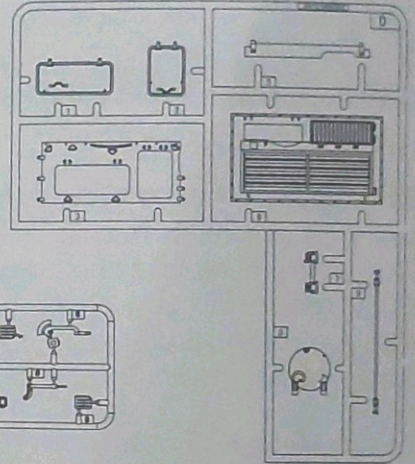
C



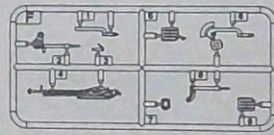
K



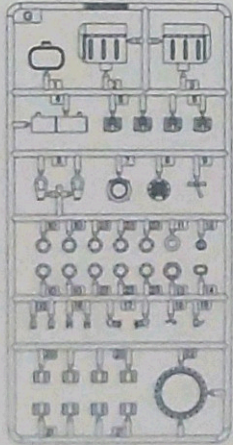
D



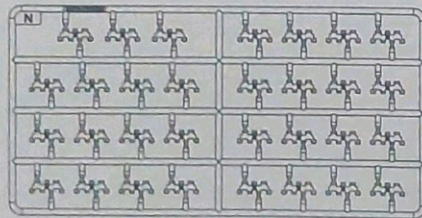
F



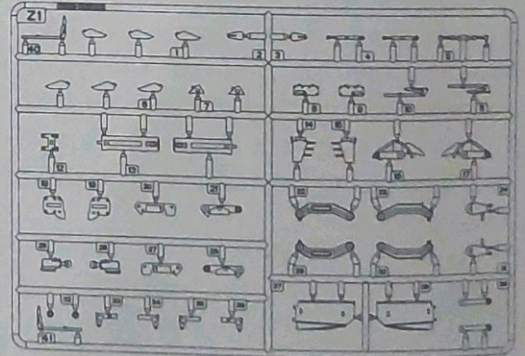
G



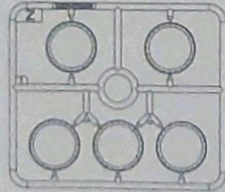
Nx7



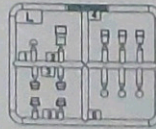
Z1



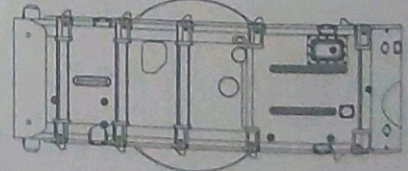
Zx4



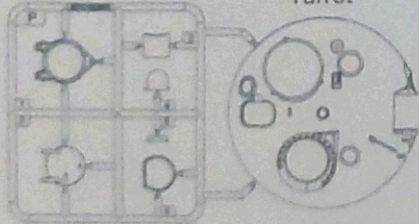
L



《车底》  
Lower hull

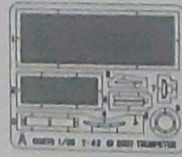


P

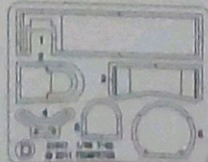


《炮塔》  
Turret

《蚀刻片-A》  
PE-A



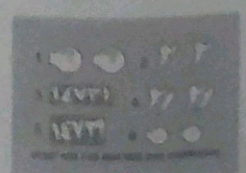
《蚀刻片-D》  
PE-D



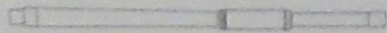
《铜线》 $\varnothing 0.8 \times 250 \text{mm}$   
Brass Wire



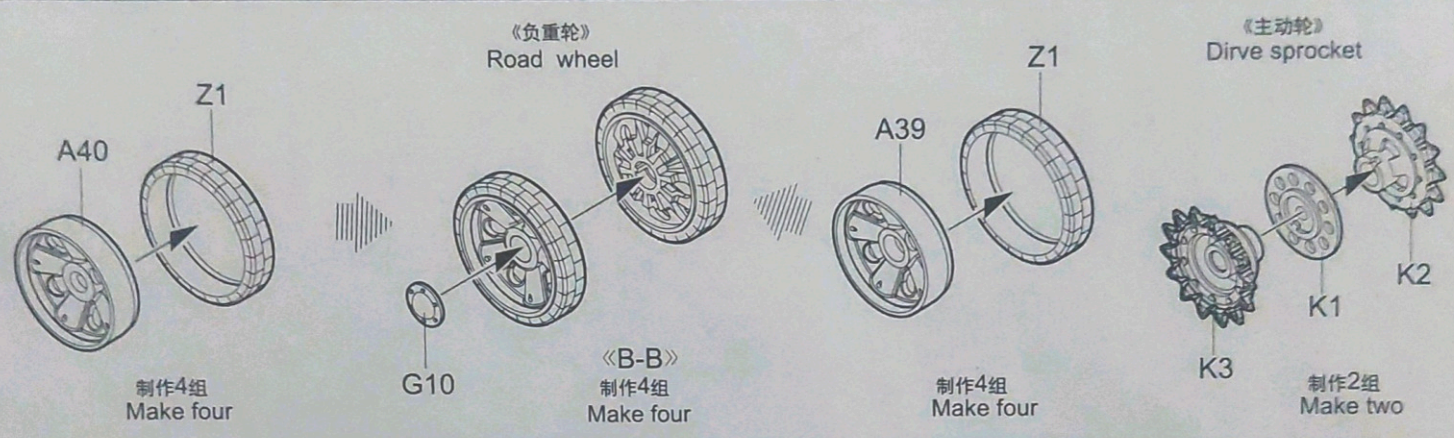
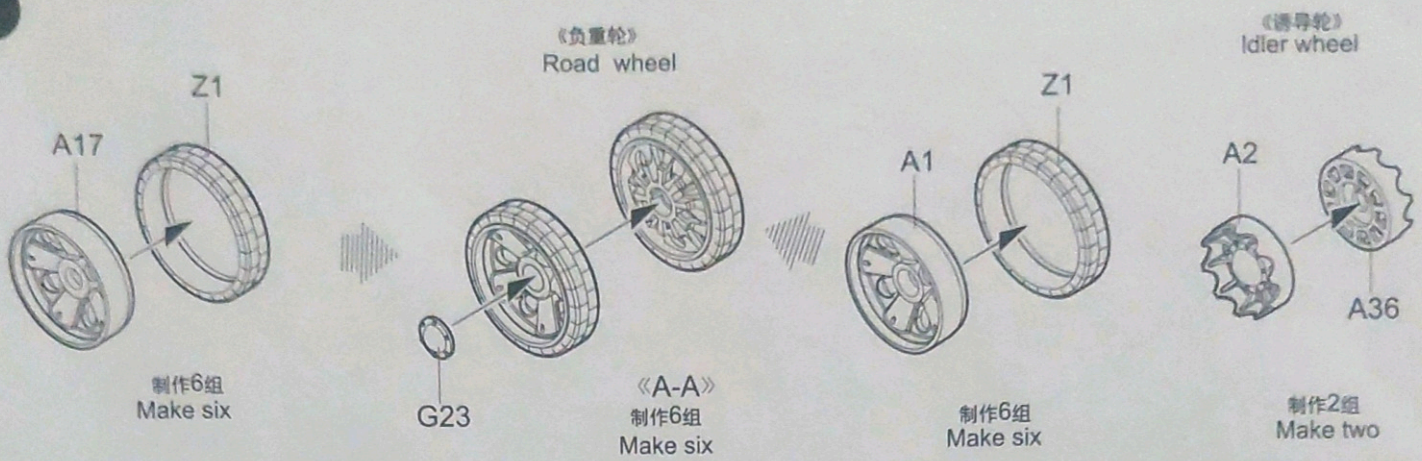
《水贴》  
Decal



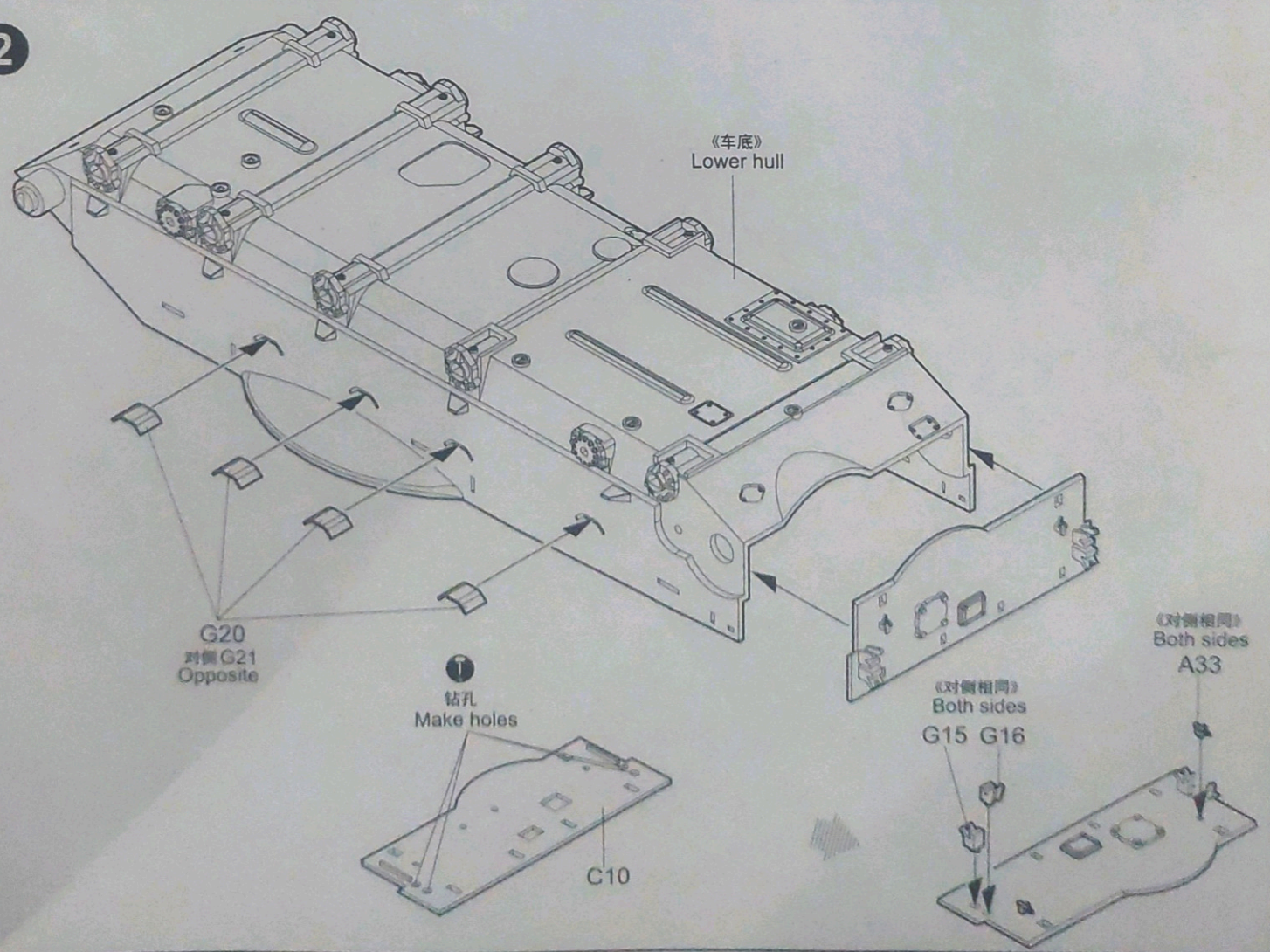
《金属炮管》  
Metal gun



1

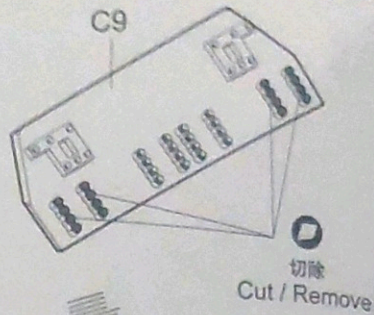


2



3

《对侧相同》  
Both sides  
A6



A24  
对侧A25  
Opposite

A14  
对侧A15  
Opposite

A12  
对侧A11  
Opposite

A15  
对侧A14  
Opposite

A25  
对侧A24  
Opposite

A29  
《对侧相同》  
Both sides

《主动轮》  
Dirve sprocket

B-B

A-A

A-A

A-A

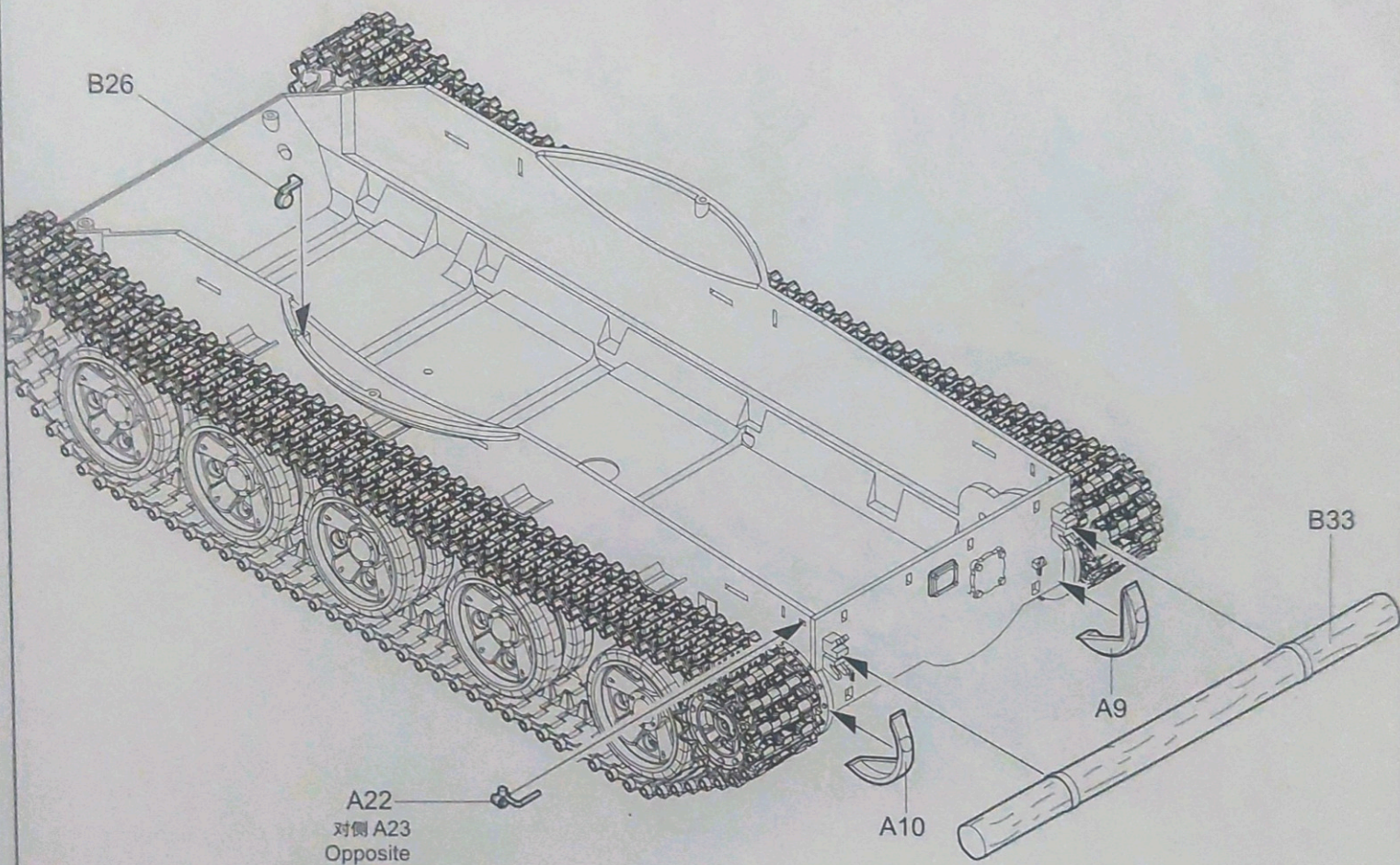
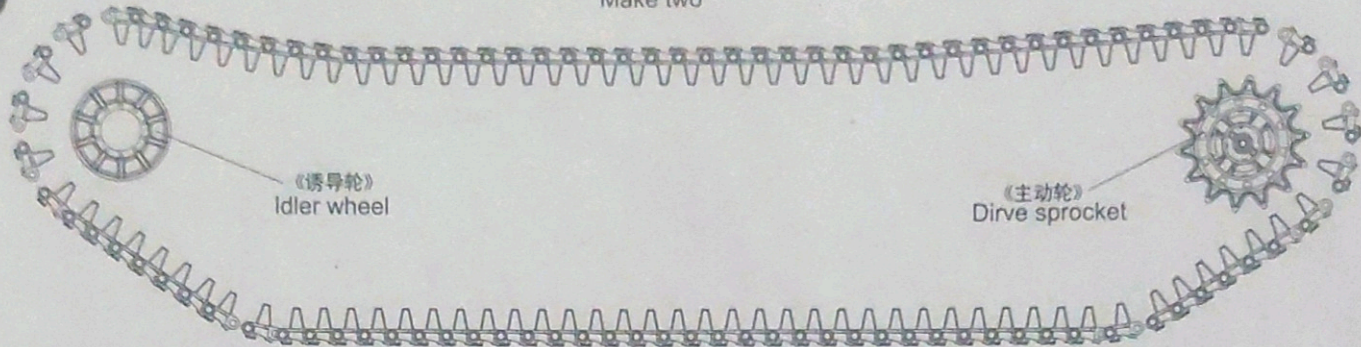
B-B

《对侧相同》  
Both sides

《诱导轮》  
Idler wheel

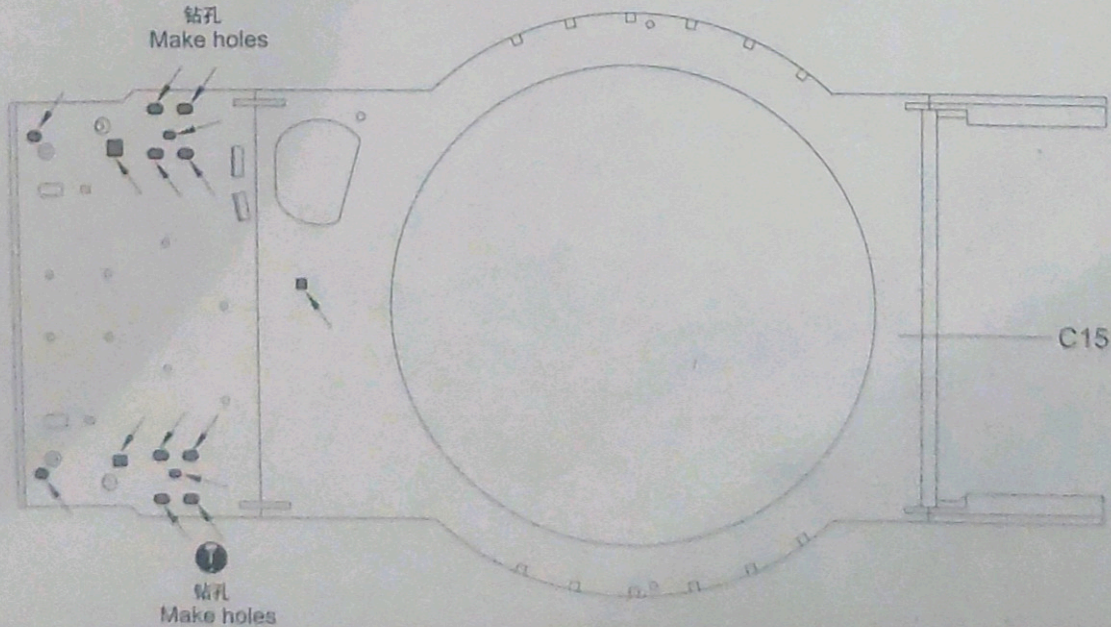
4

《制作2组》  
Make two

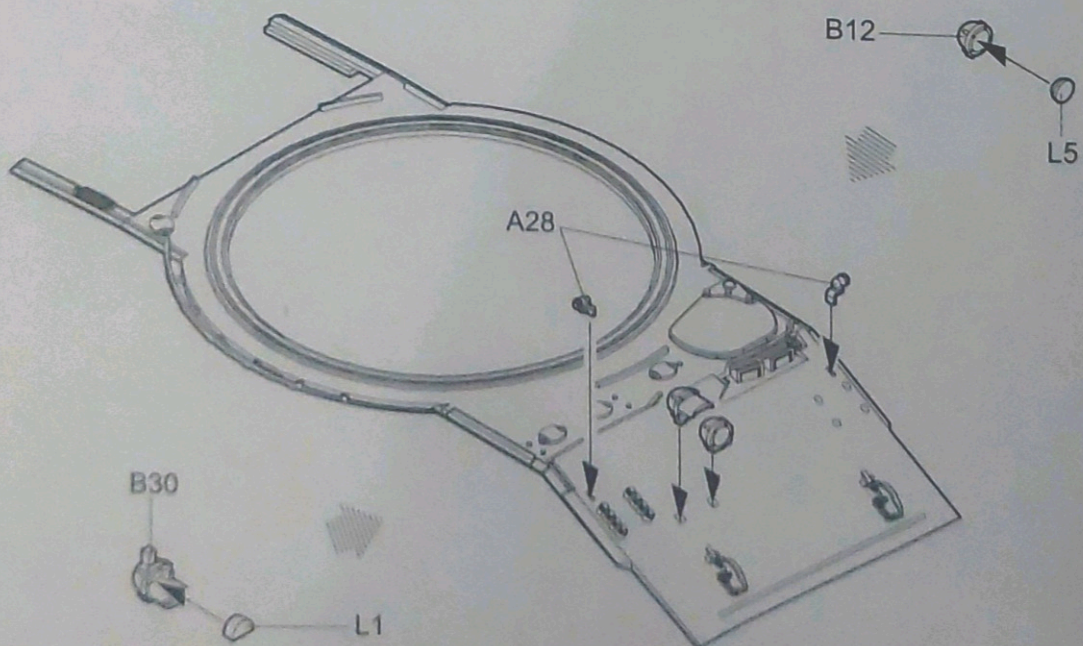
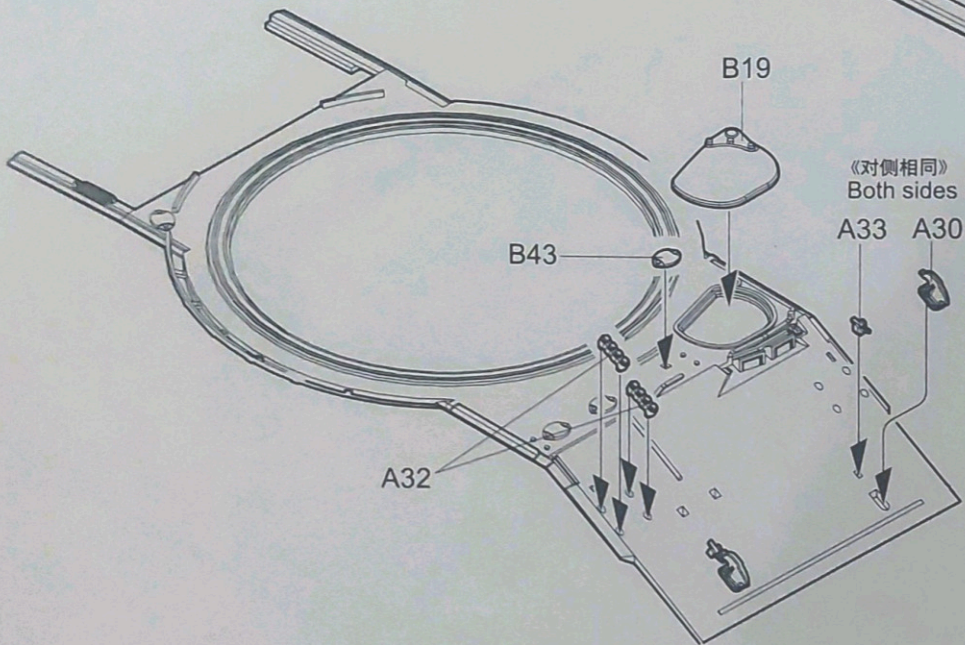
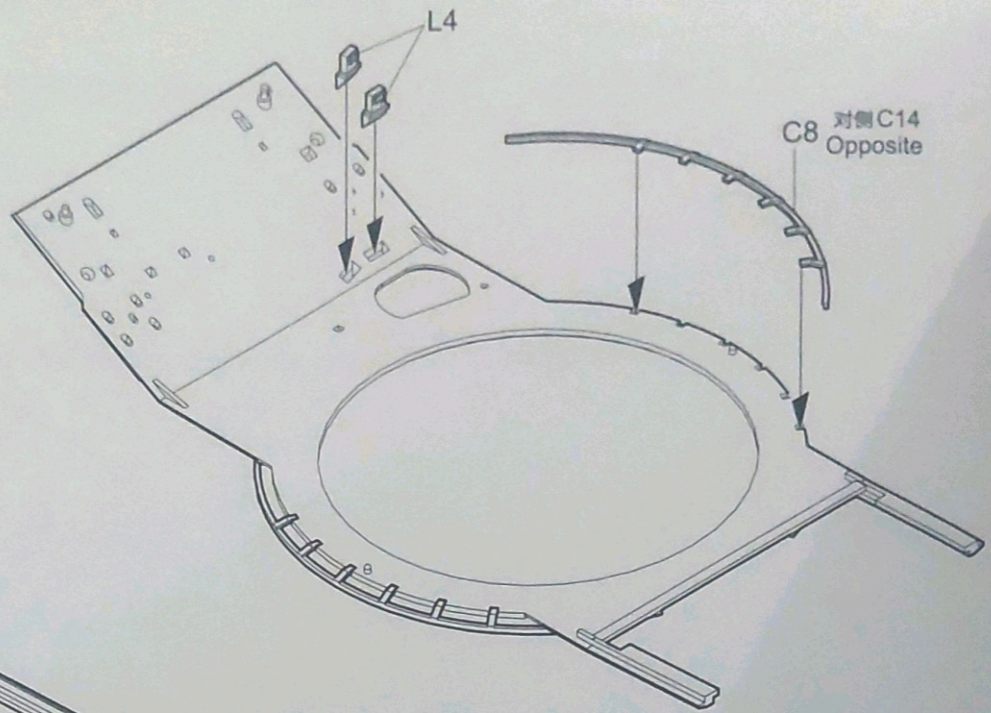


5

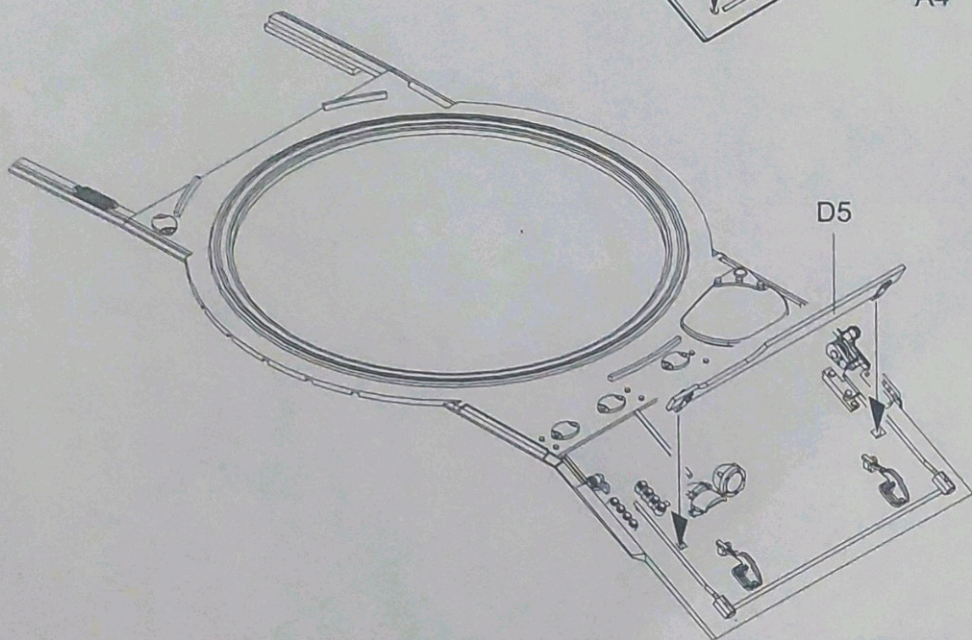
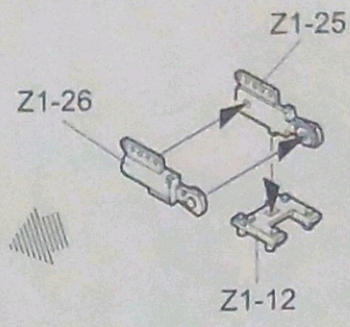
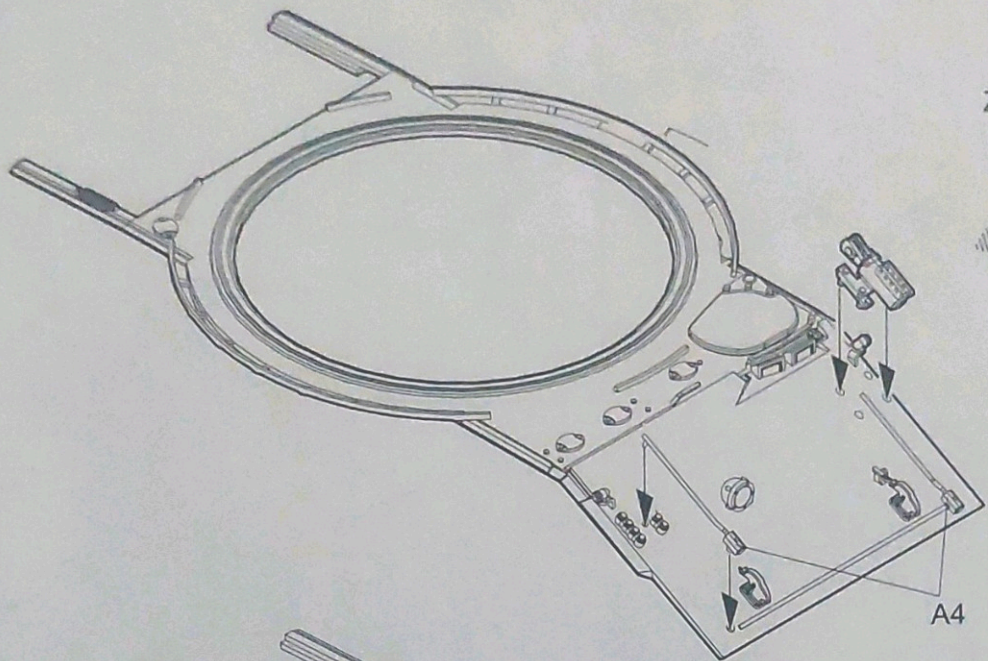
①  
钻孔  
Make holes



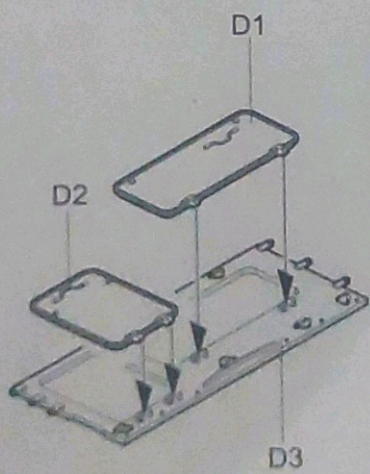
6



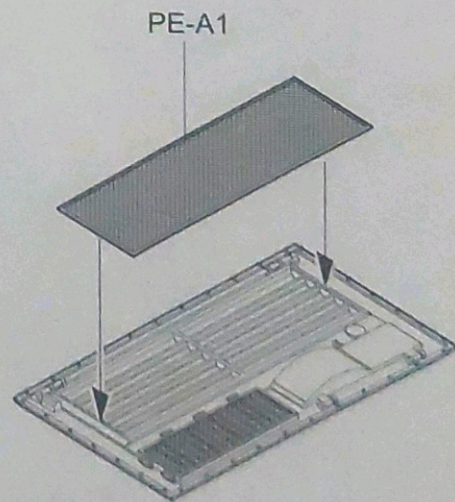
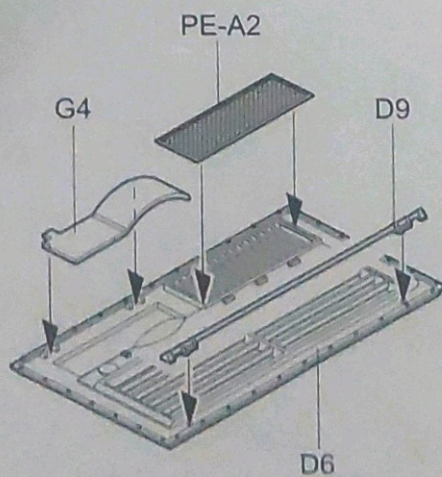
7

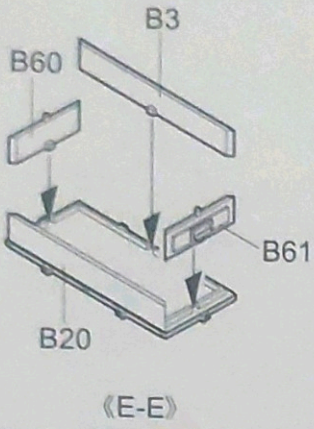


«C-C»

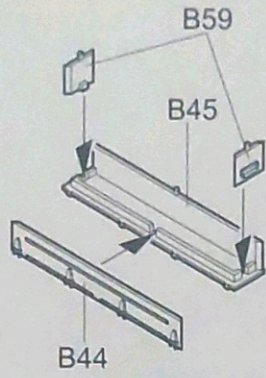


«D-D»

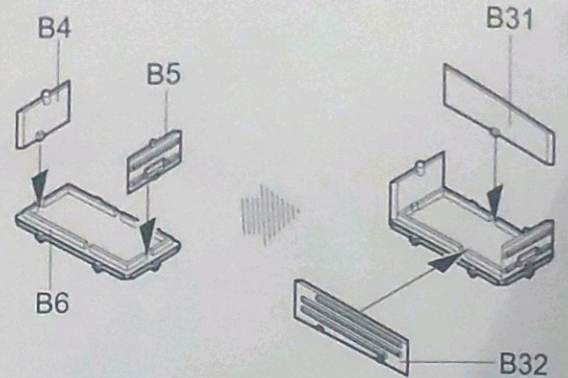




《E-E》

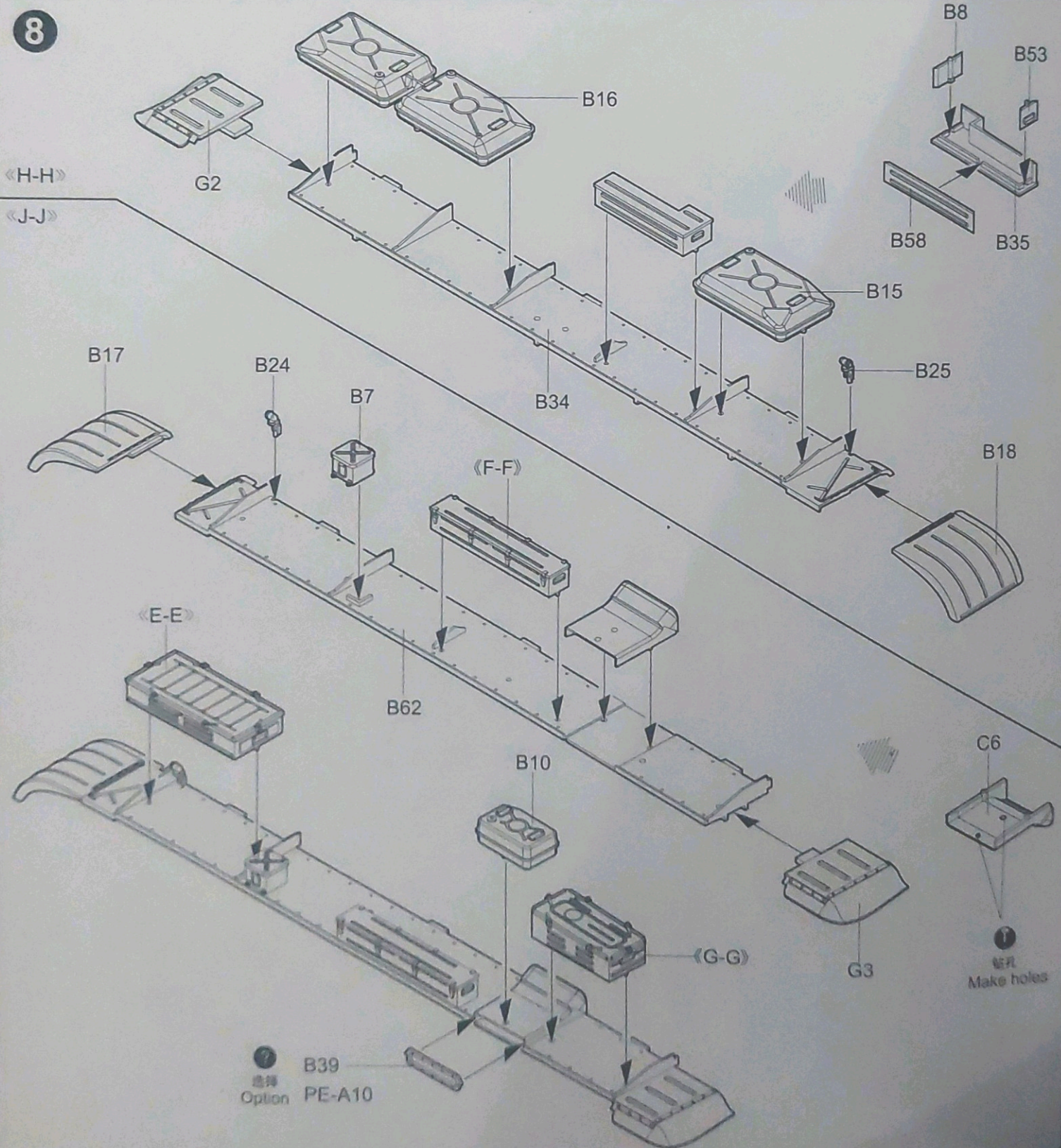


《F-F》

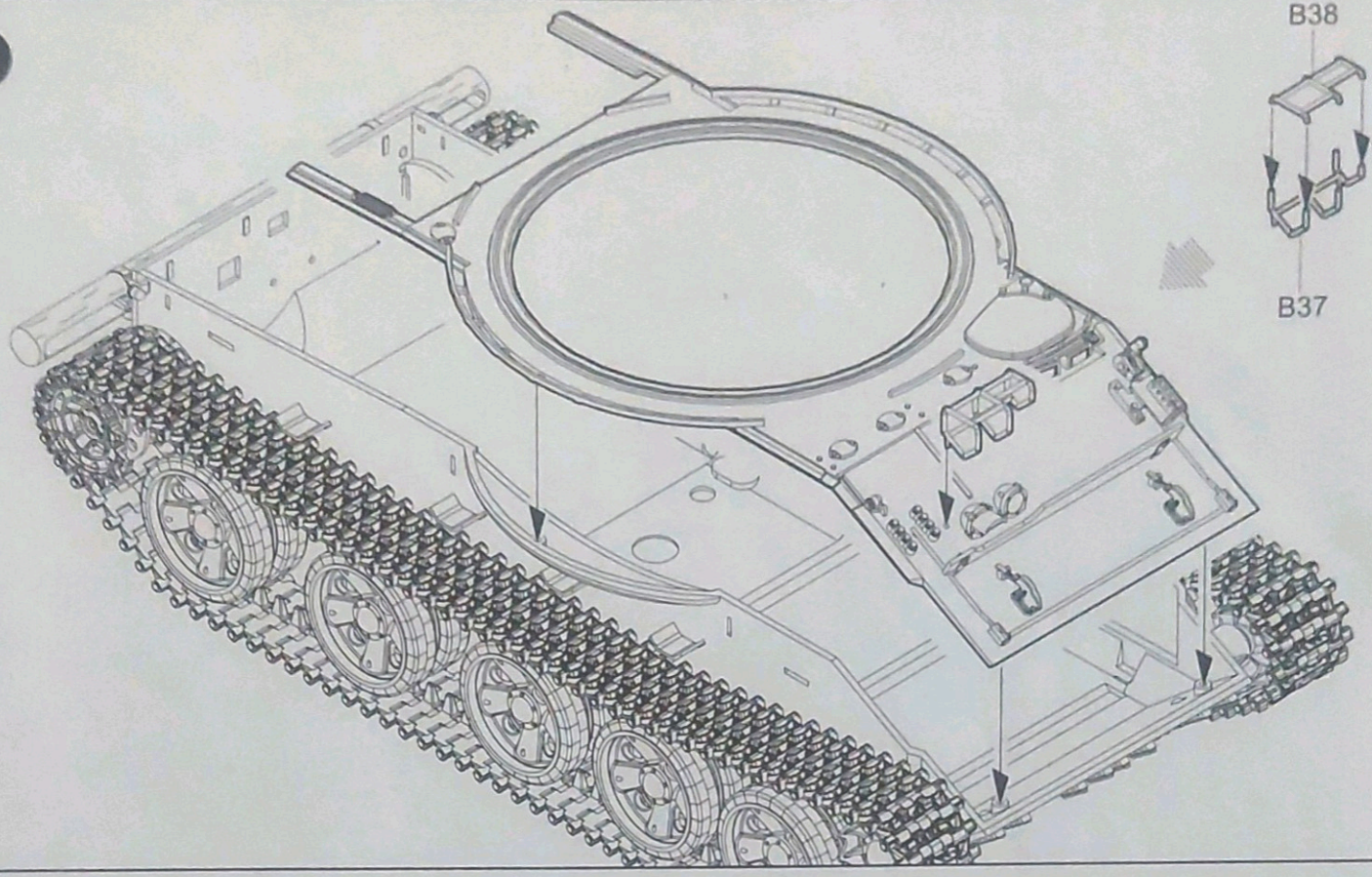


《G-G》

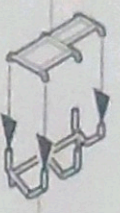
8



9

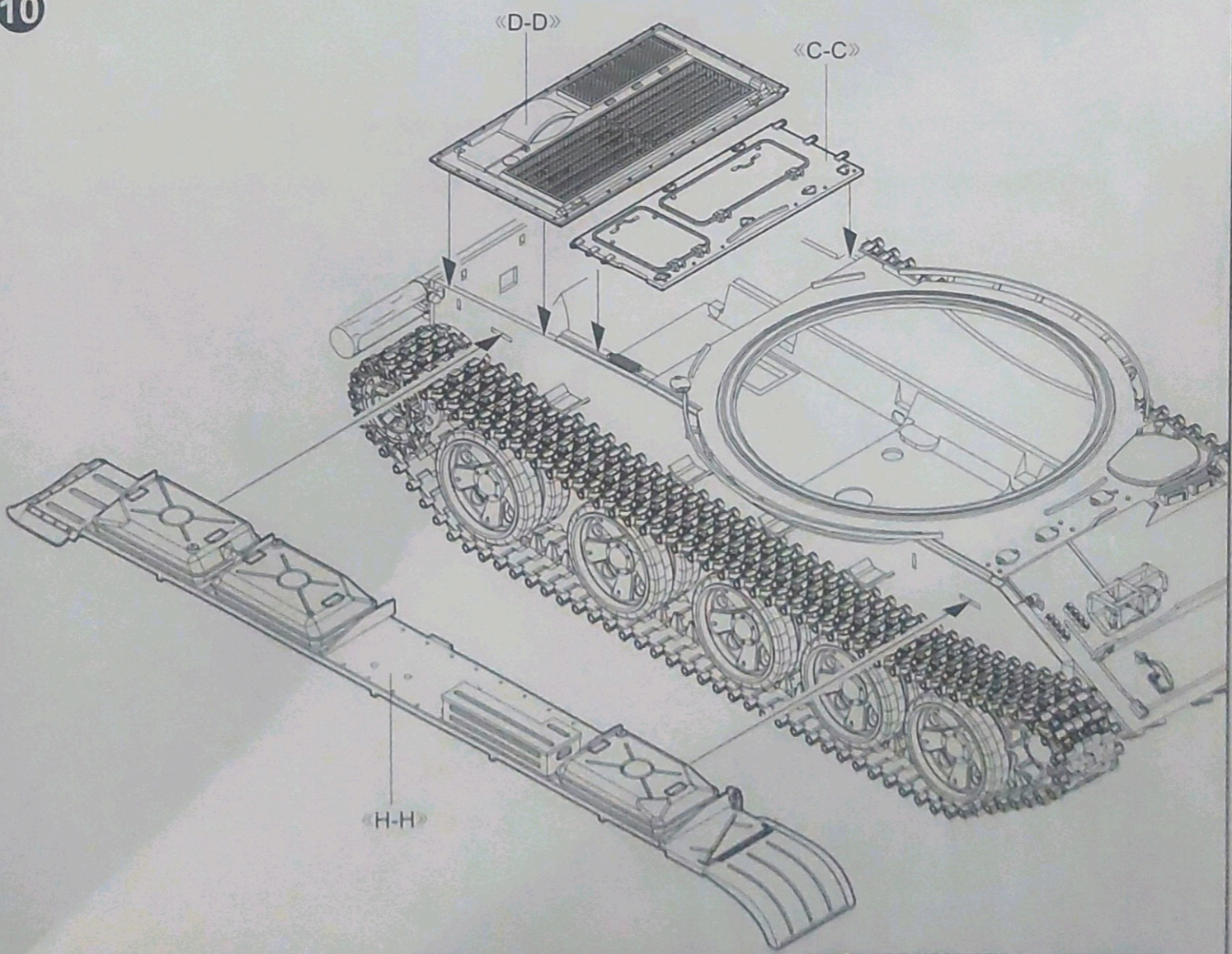


B38



B37

10

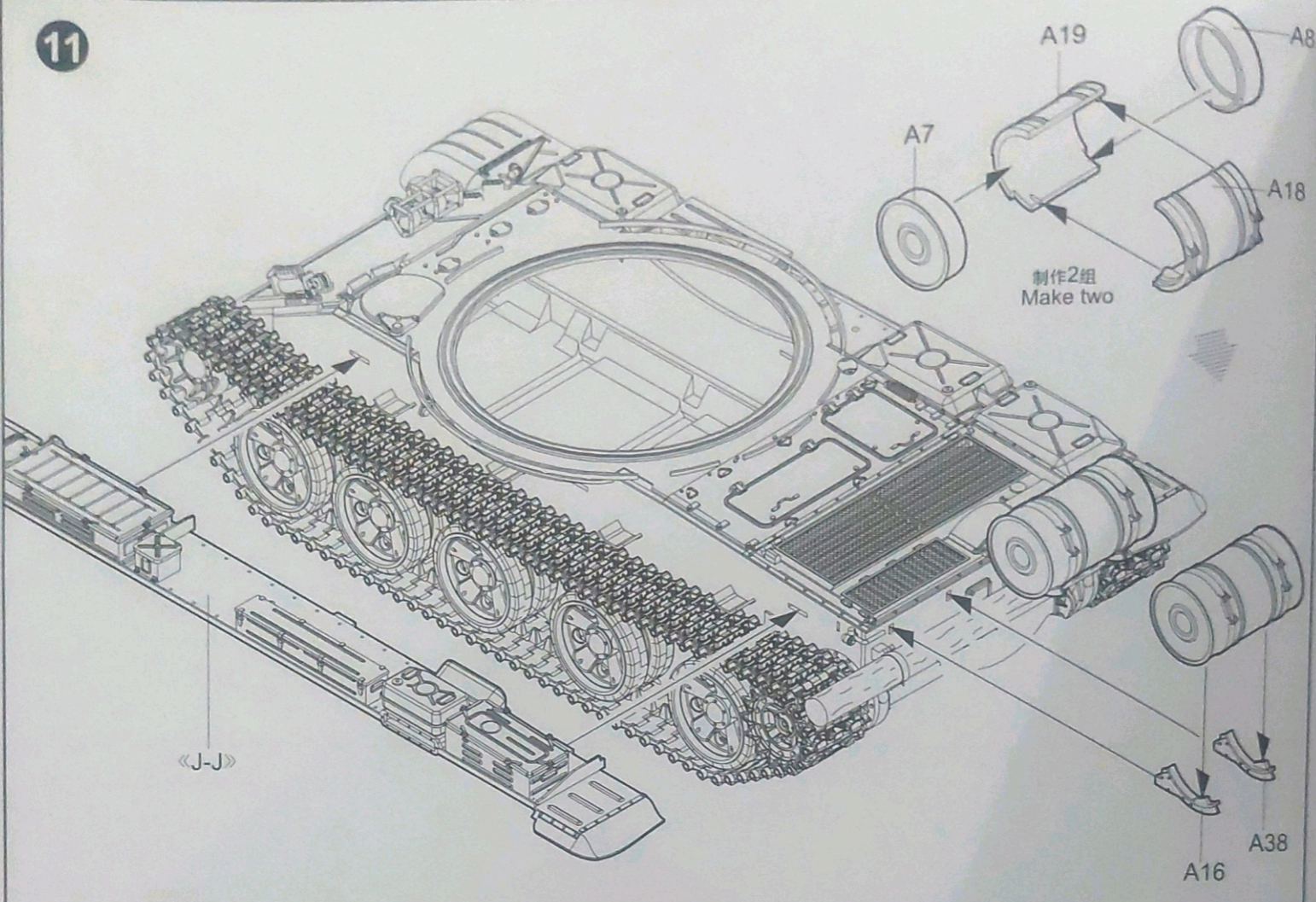


«D-D»

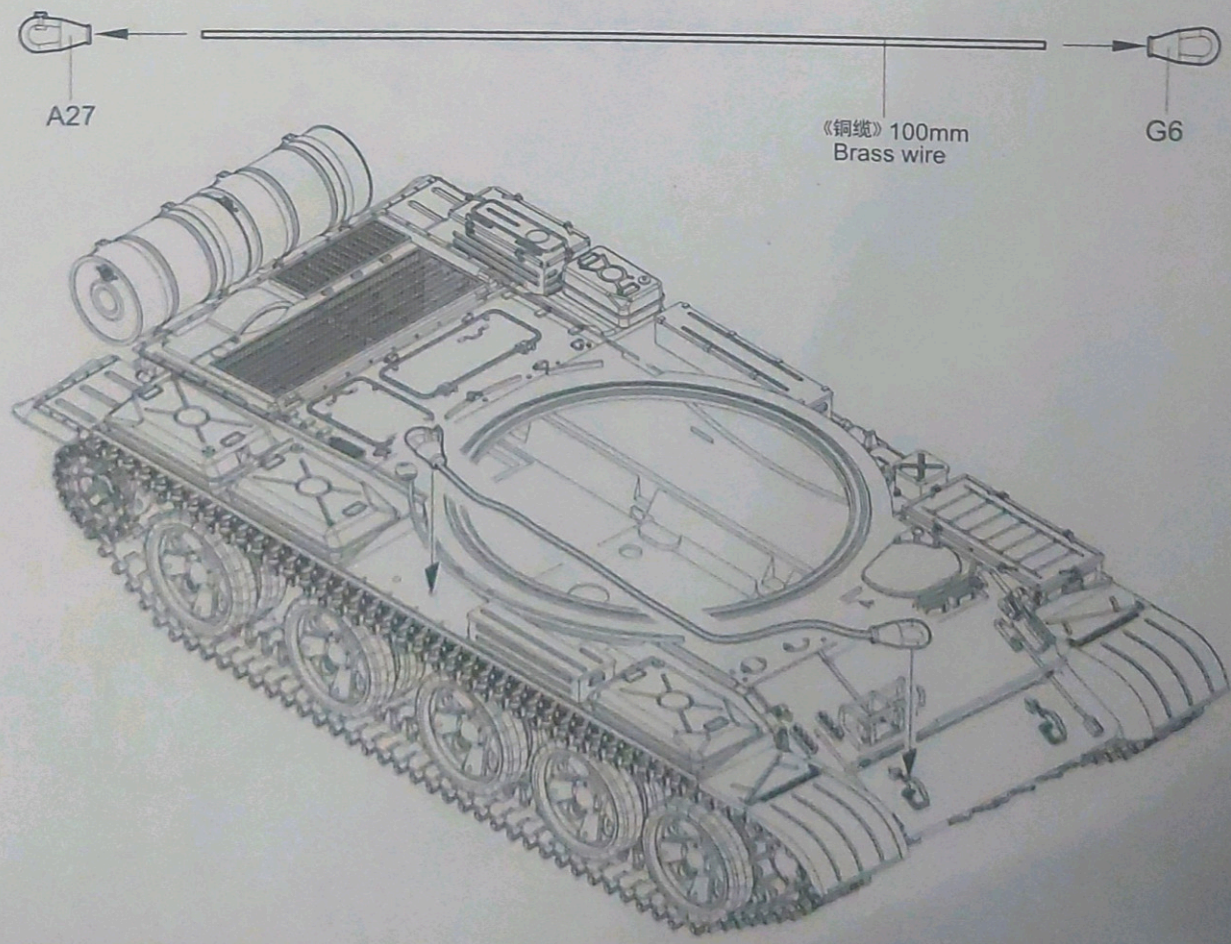
«C-C»

«H-H»

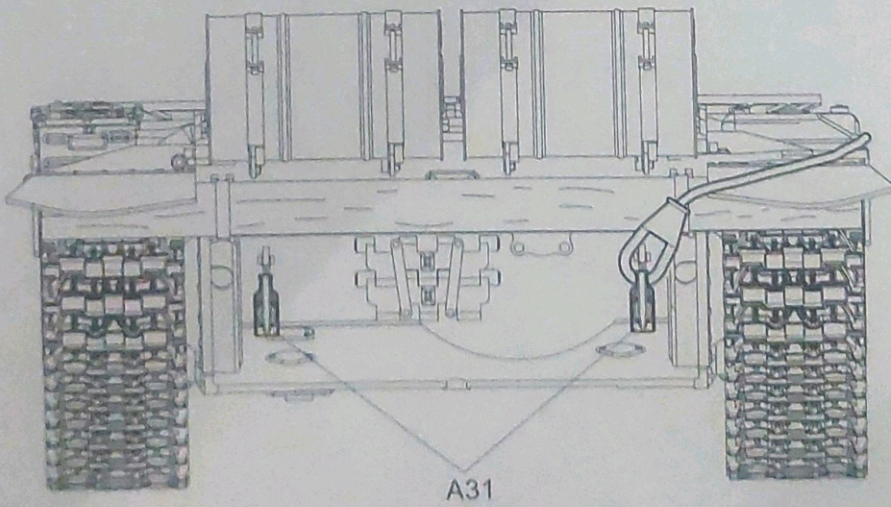
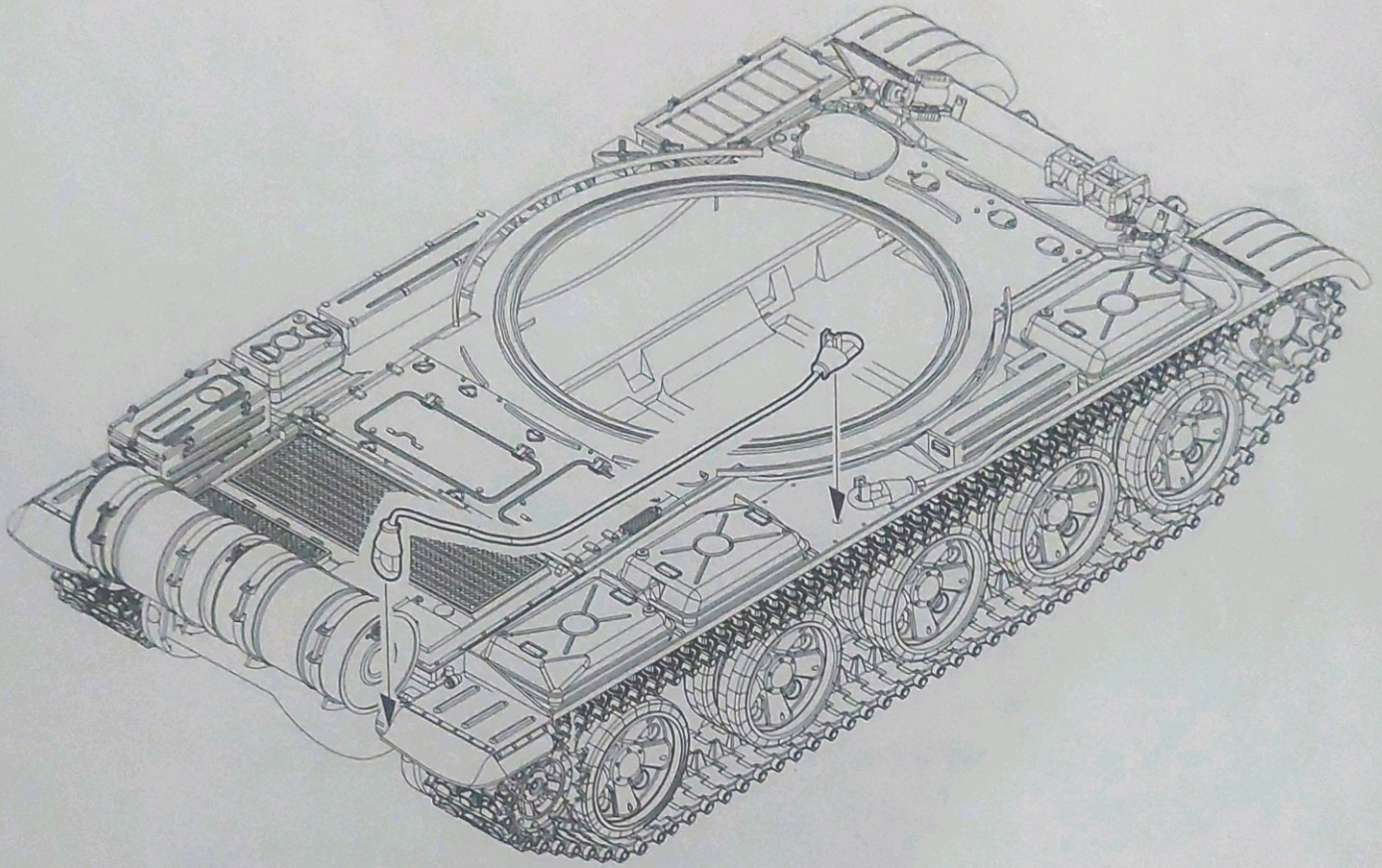
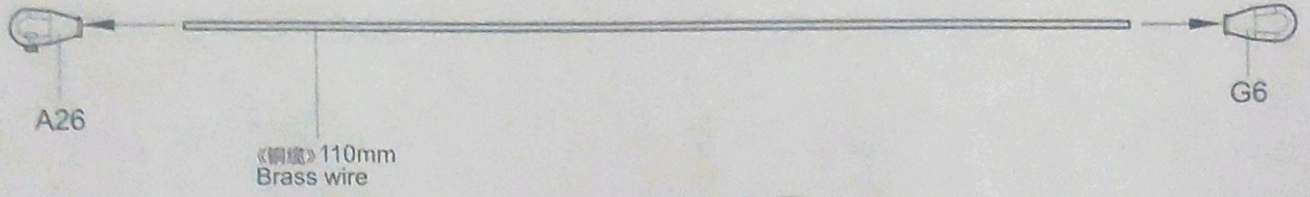
11

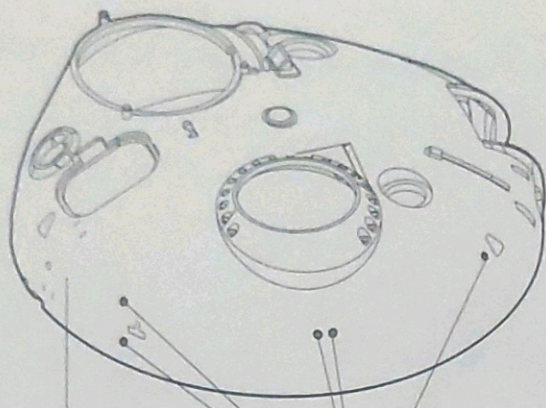


12



13

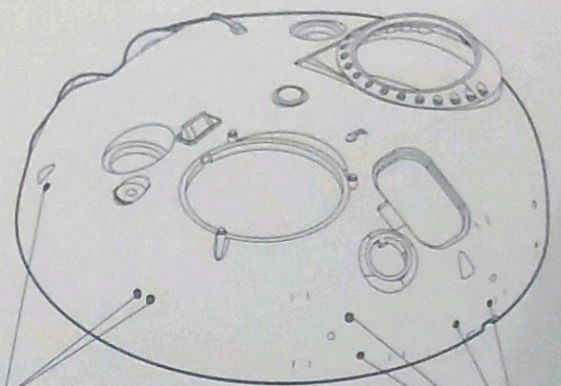




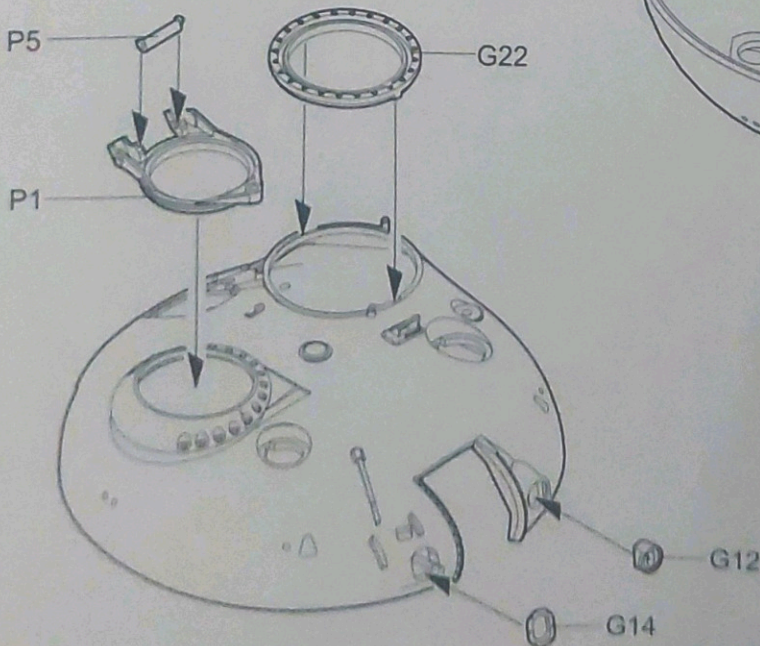
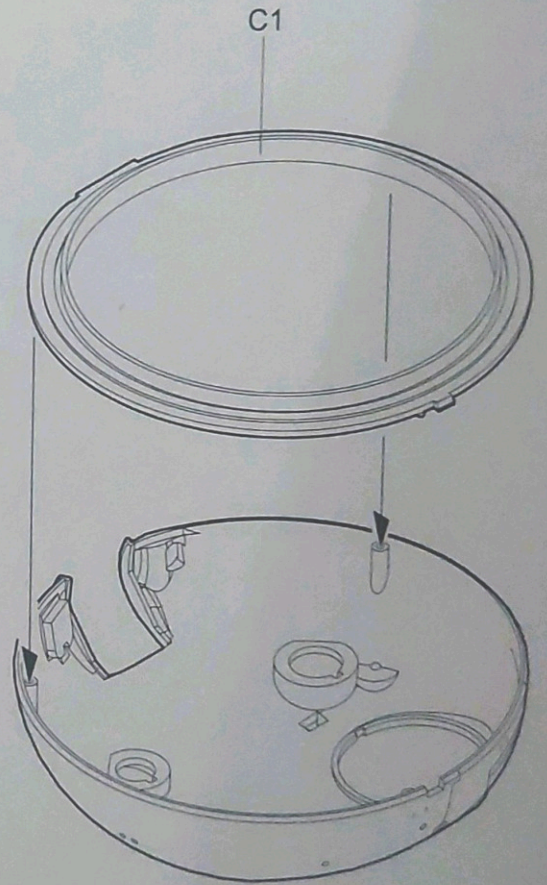
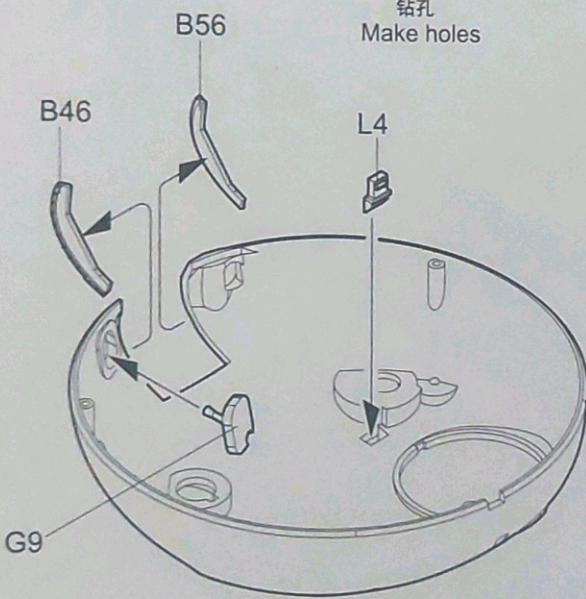
炮塔  
Turret

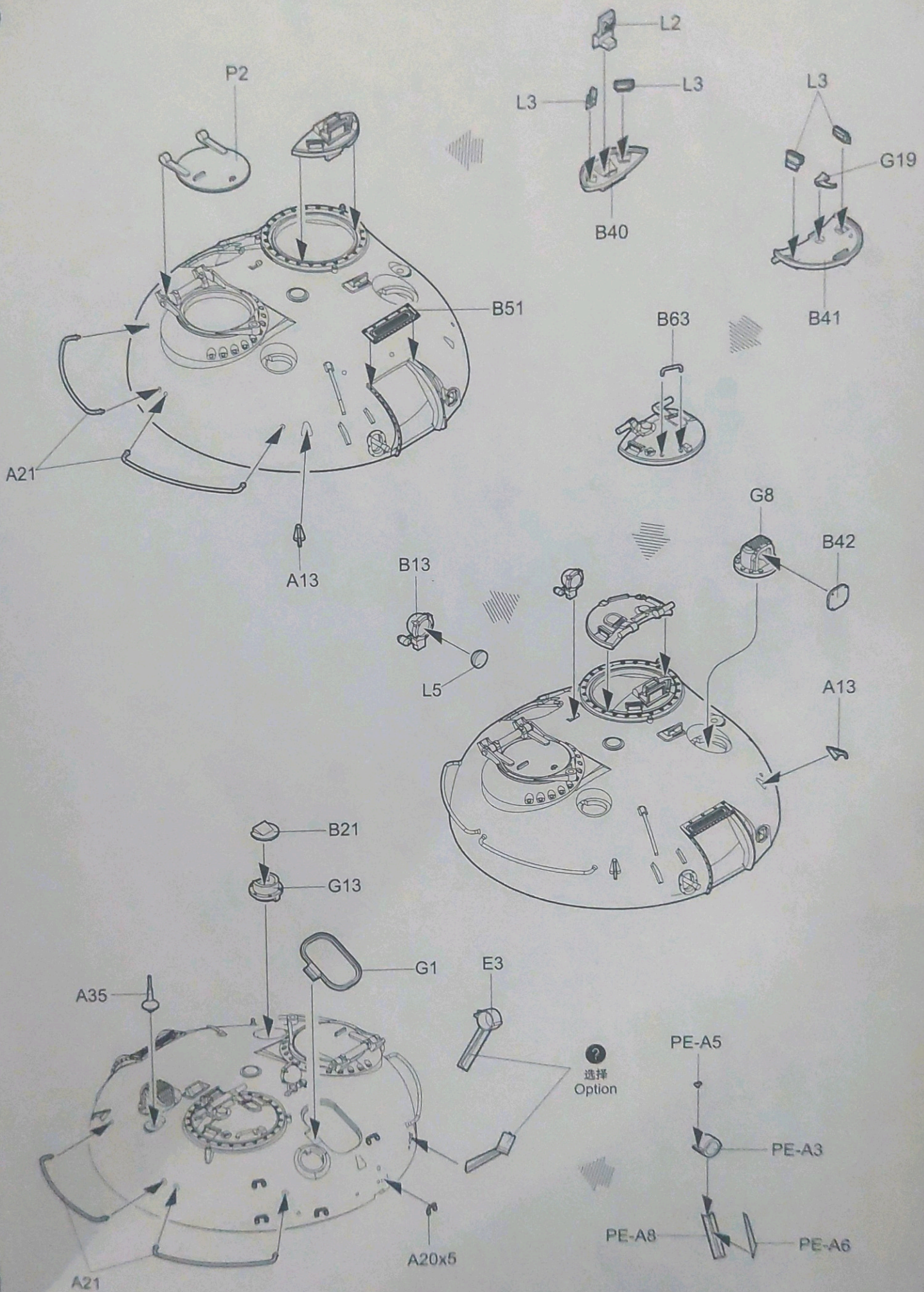
Make holes  
钻孔

Make holes  
钻孔

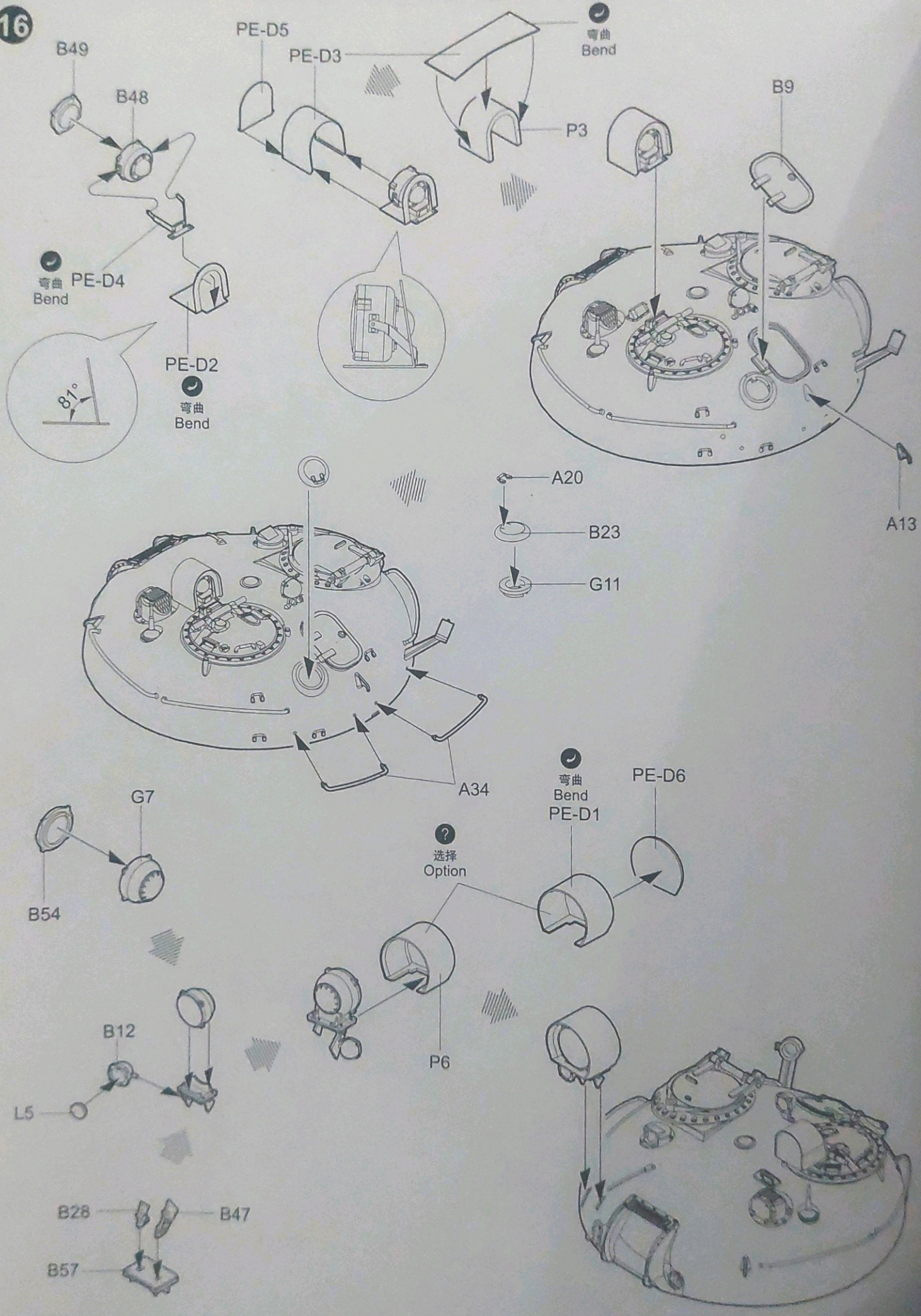


Make holes  
钻孔

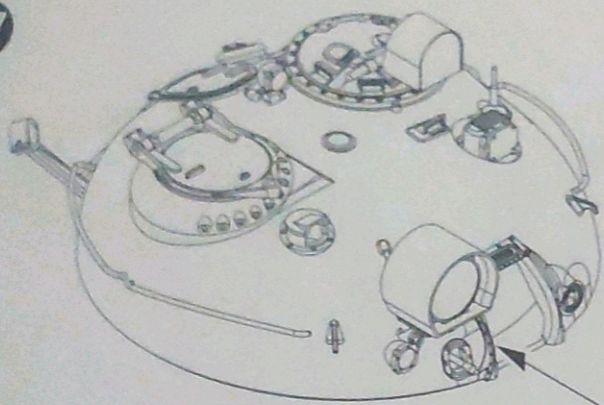




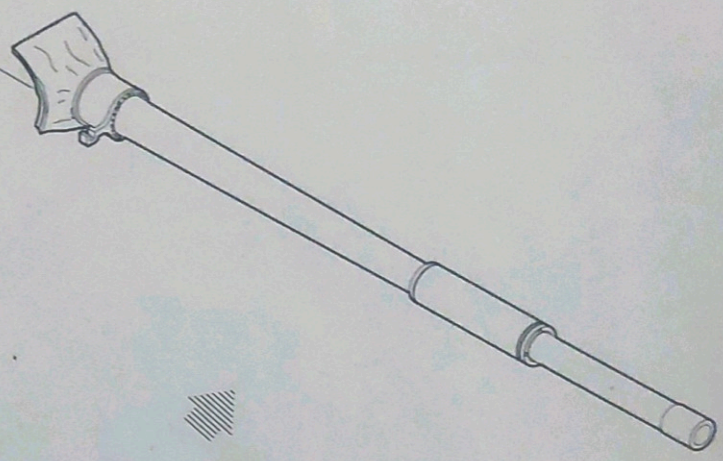
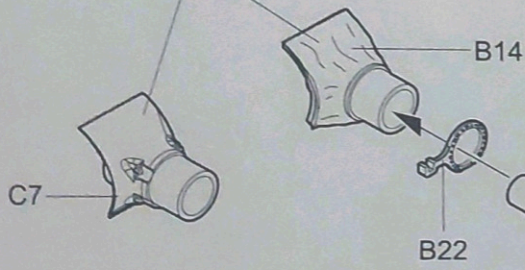
16



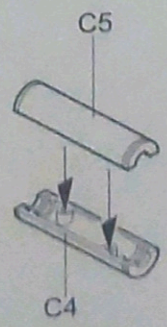
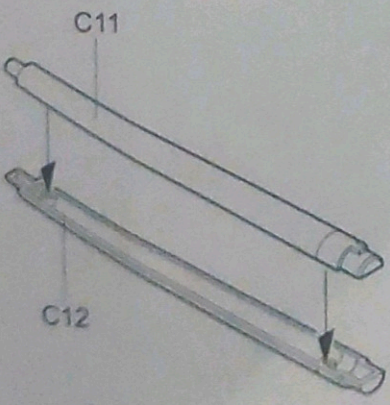
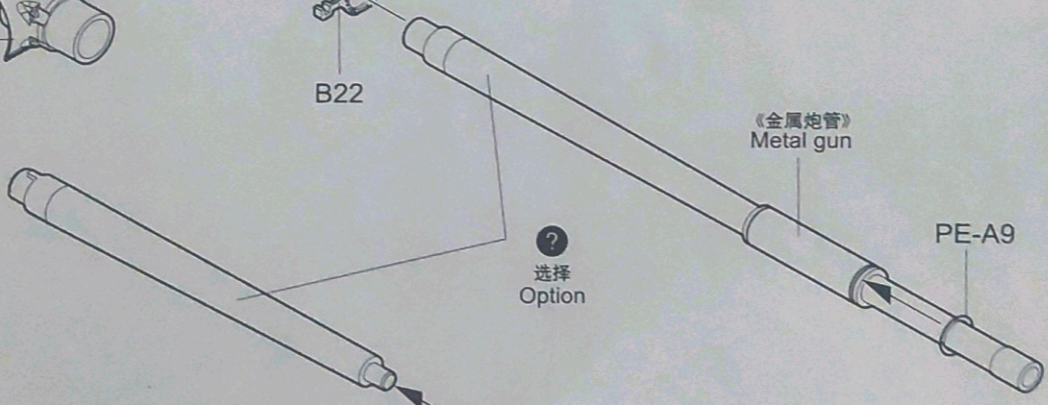
17



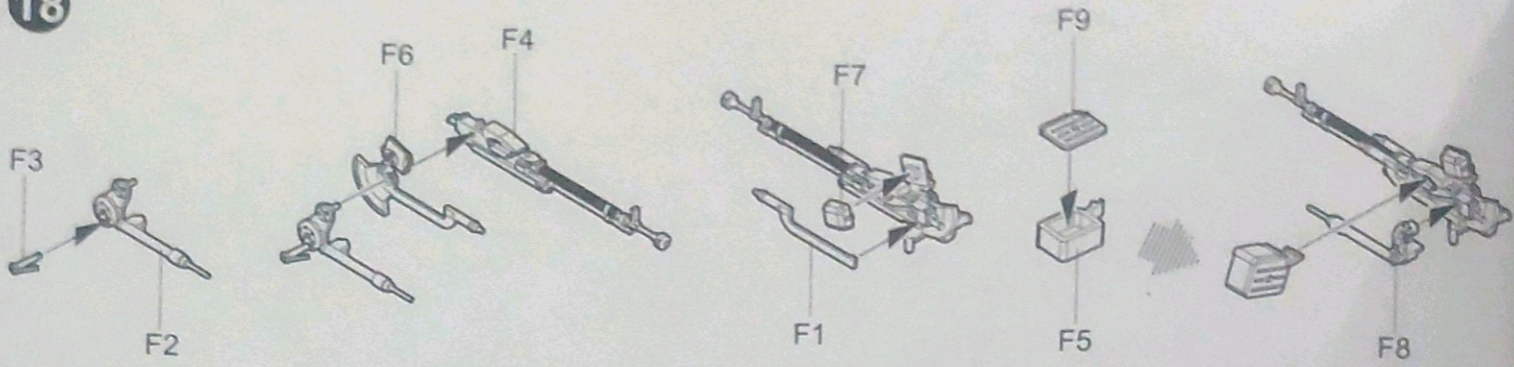
选择  
Option



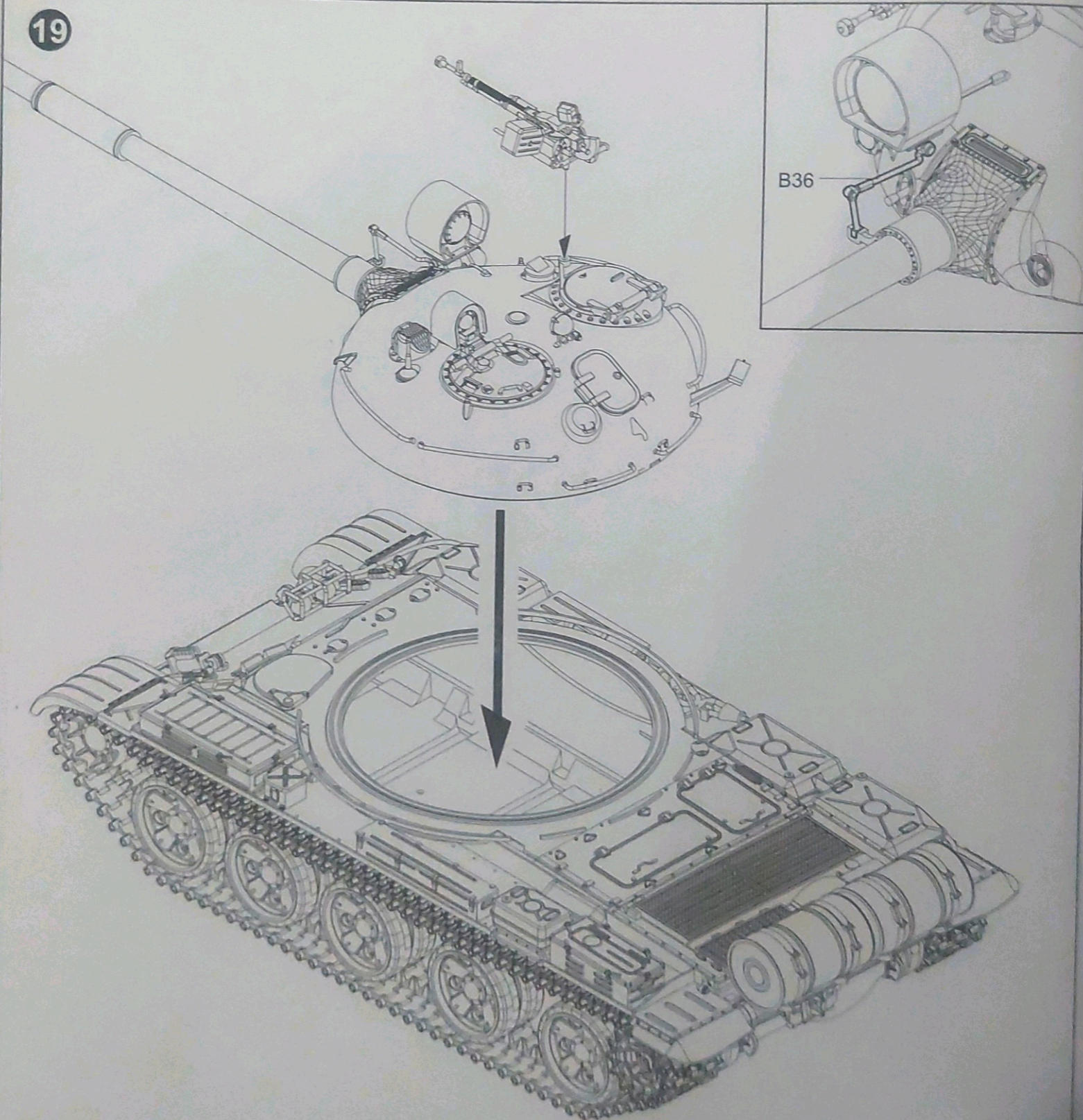
选择  
Option



18

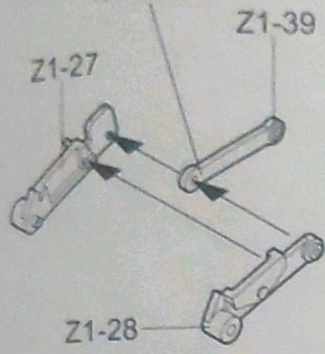


19

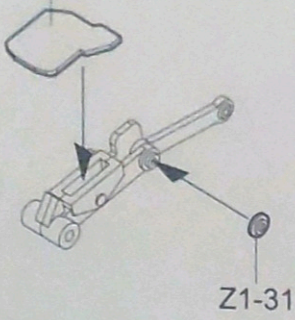


20

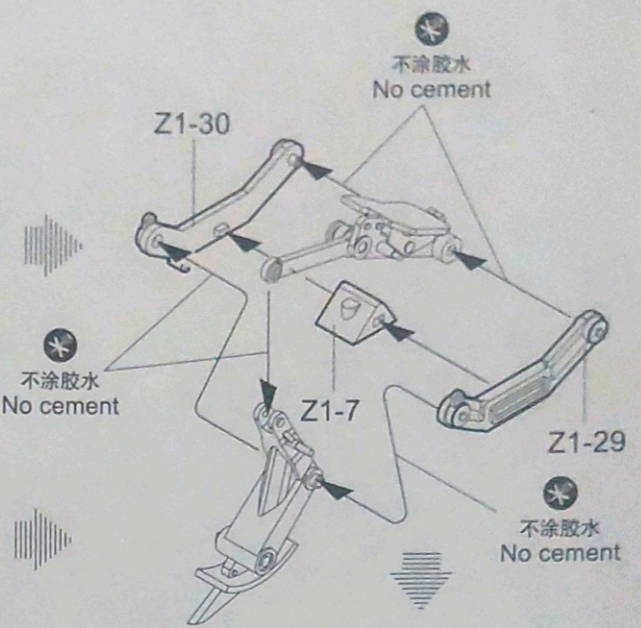
不涂胶水  
No cement



Z1-19

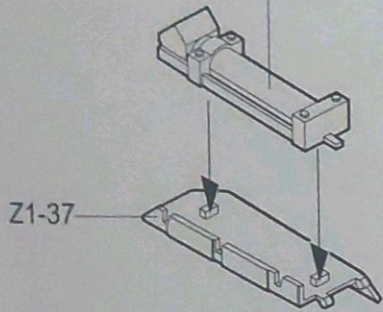


不涂胶水  
No cement

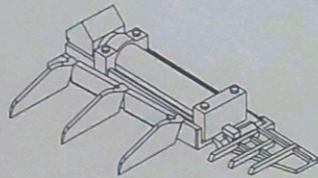


不涂胶水  
No cement

Z1-13

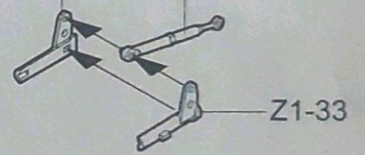


Z1-17



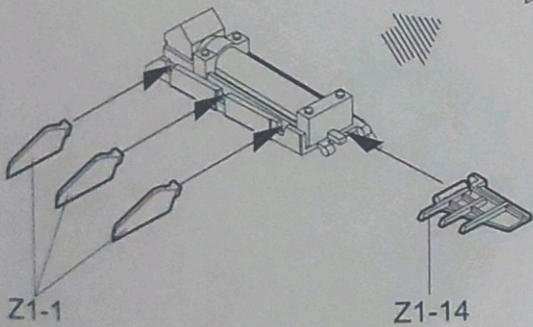
Z1-34

Z1-4



Z1-1

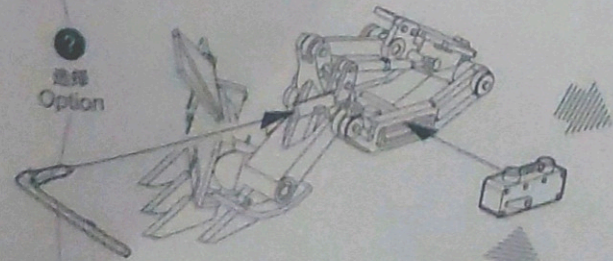
Z1-14



Z1-11



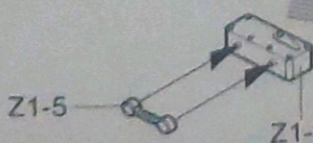
选择  
Option



Z1-41

Z1-5

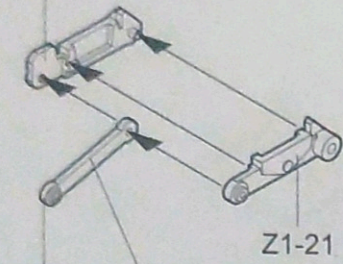
Z1-8



《右侧》  
Right

21

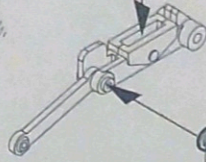
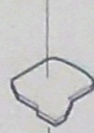
Z1-20



Z1-39

不涂胶水  
No cement

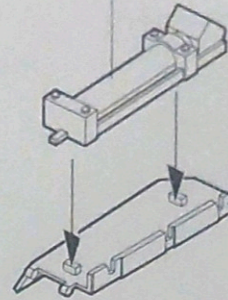
Z1-18



Z1-31

不涂胶水  
No cement

Z1-13



Z1-38

Z1-22



Z1-23



Z1-7



不涂胶水  
No cement

Z1-24



不涂胶水  
No cement



Z1-16

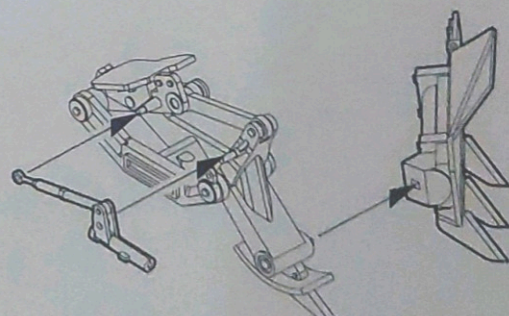
Z1-4



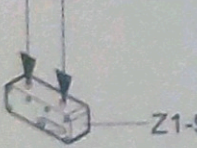
Z1-35



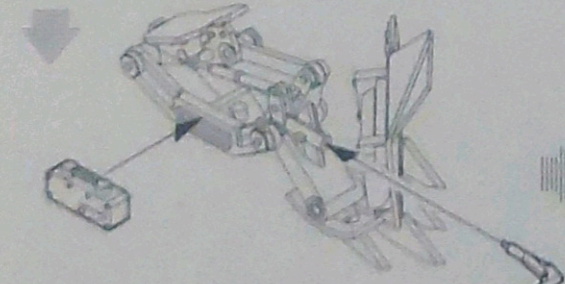
Z1-36



Z1-5



Z1-9

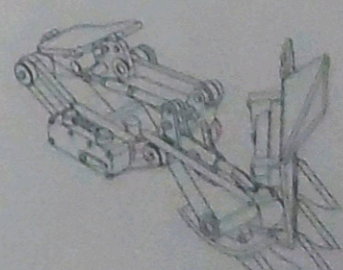
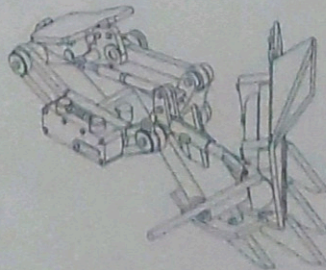
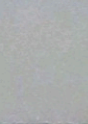


Z1-10

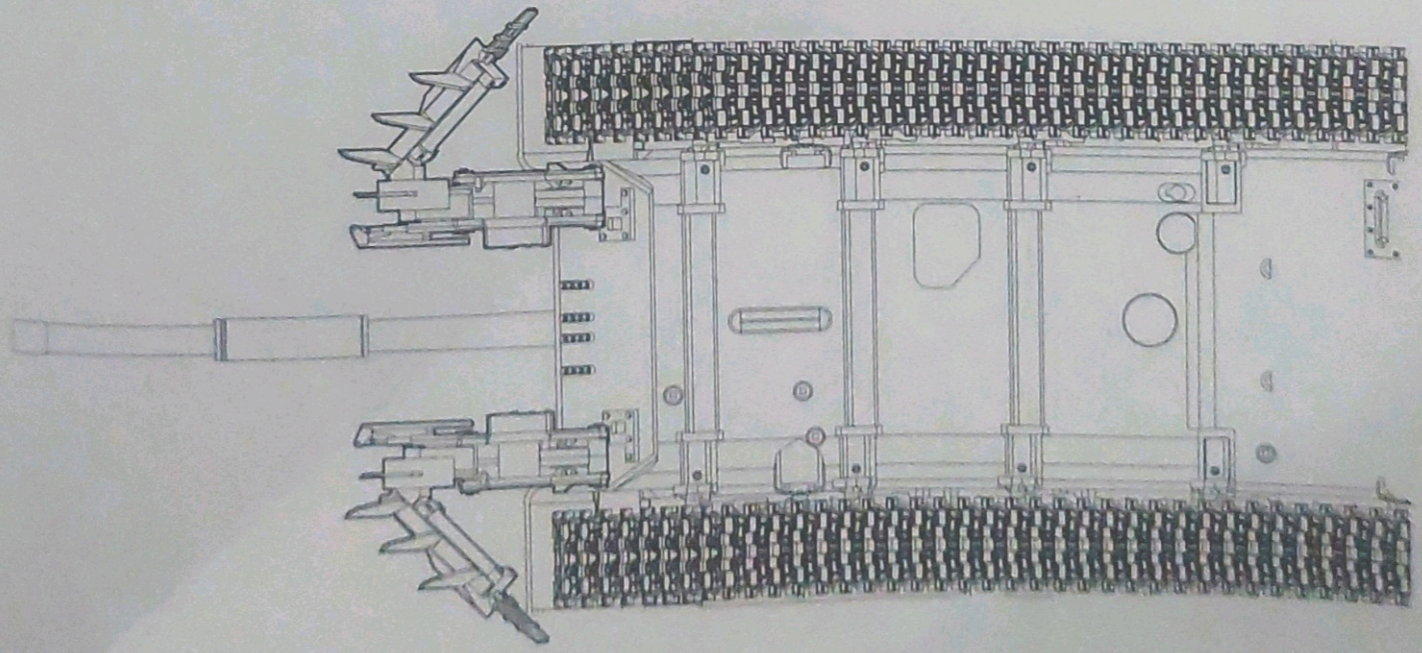
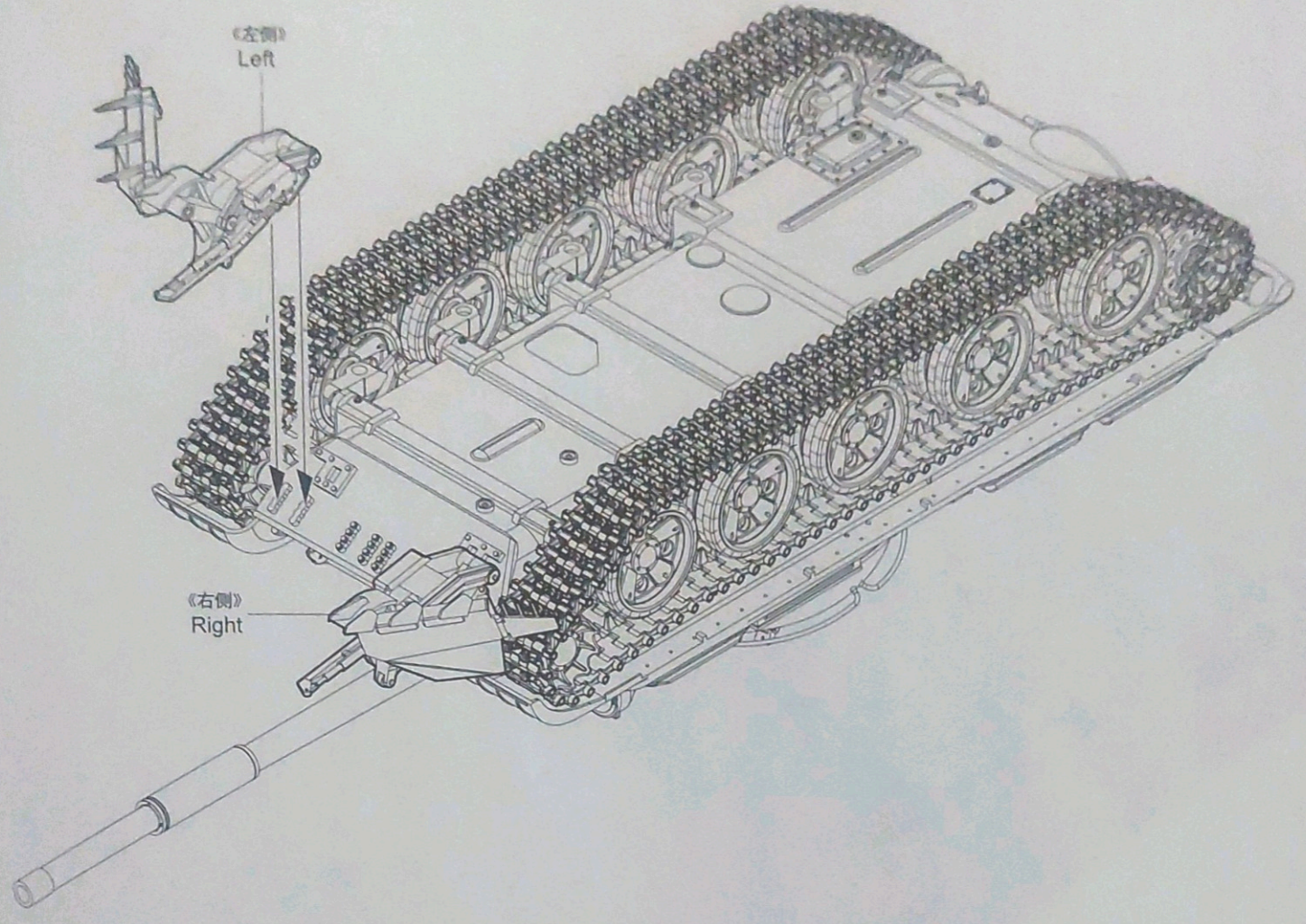


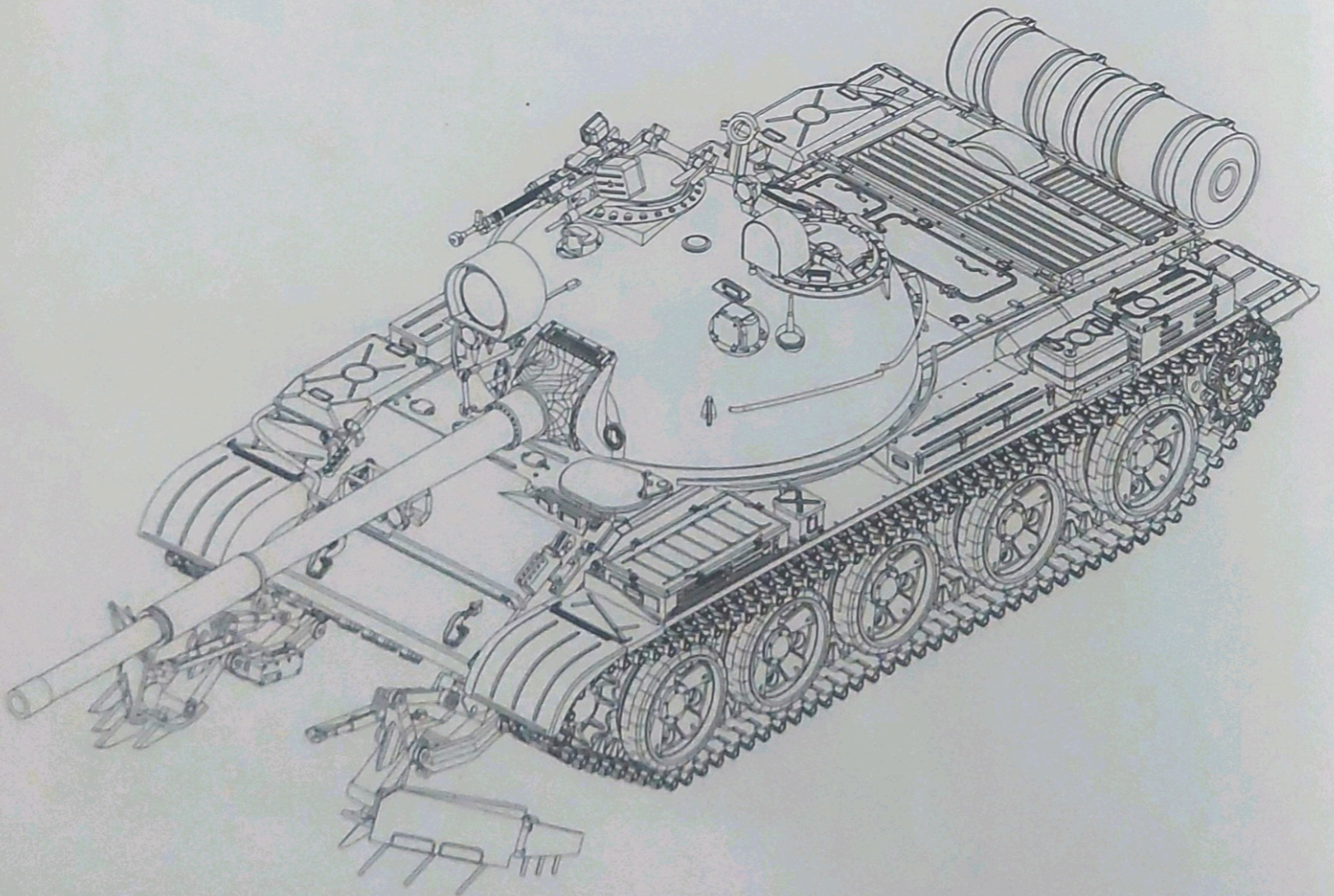
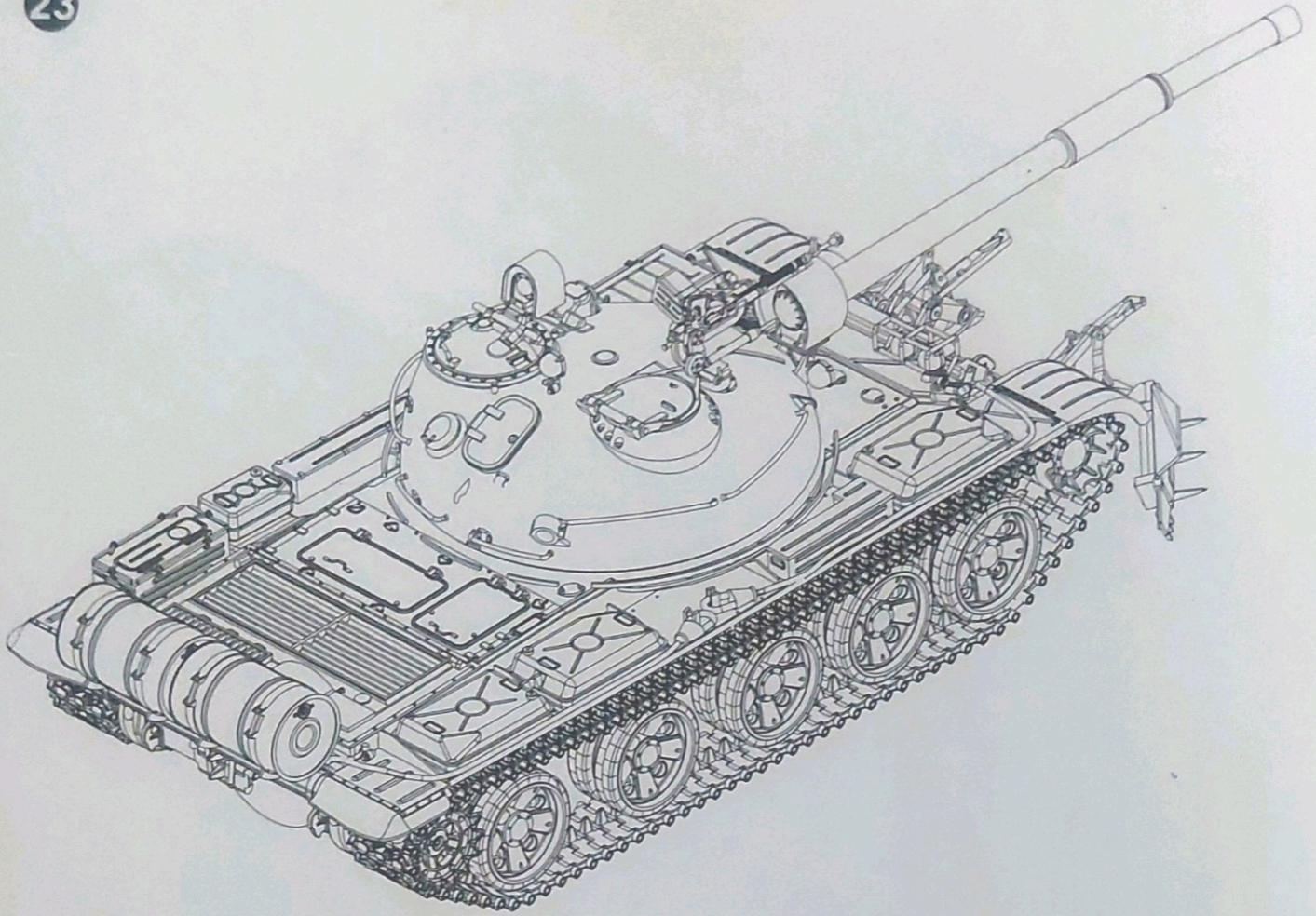
选择  
Option

Z1-40



《左側》  
Left



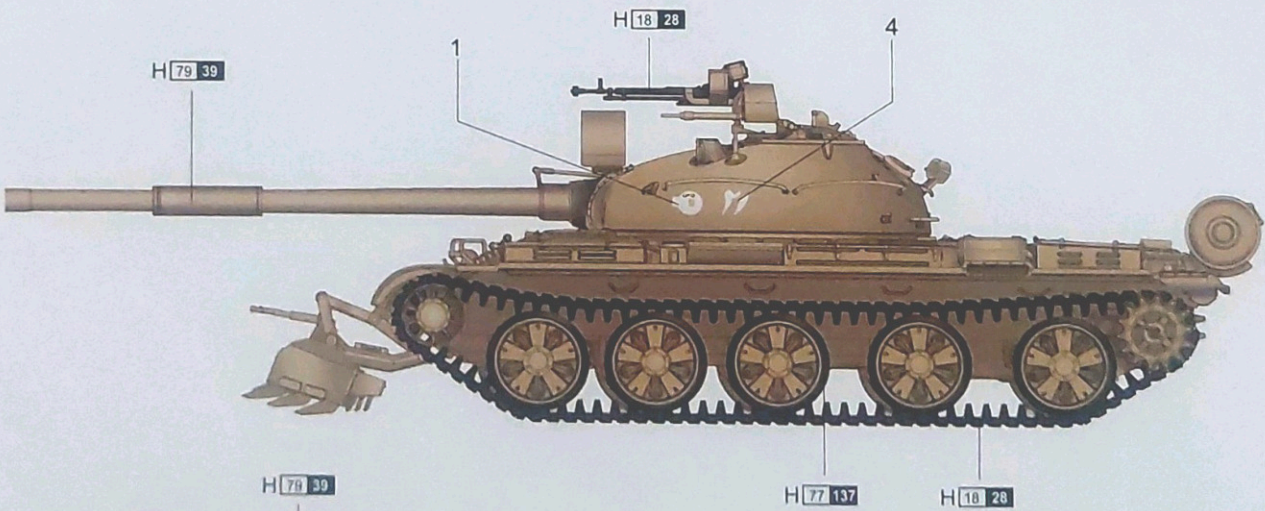
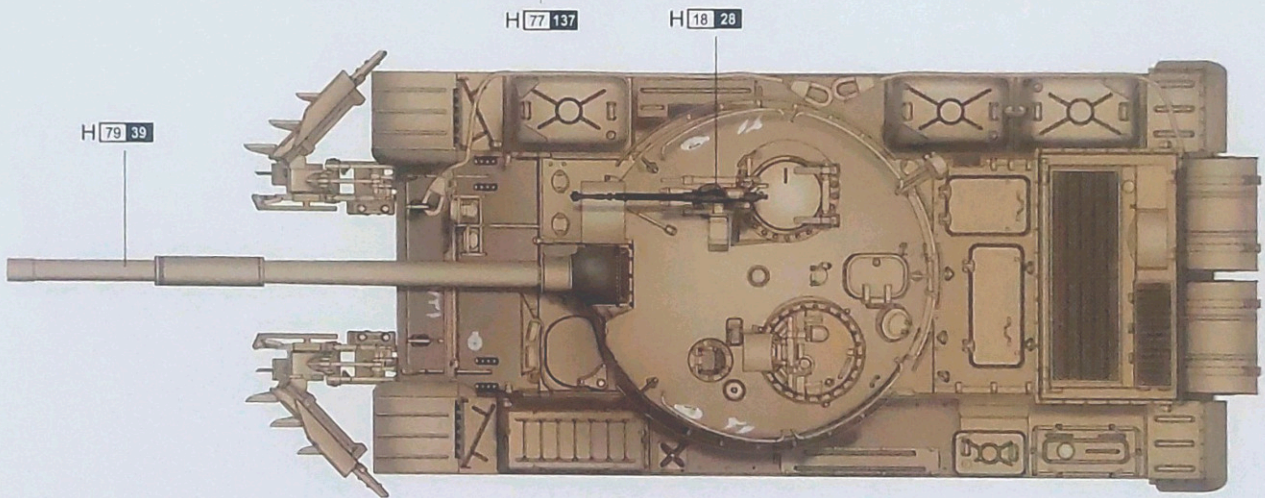
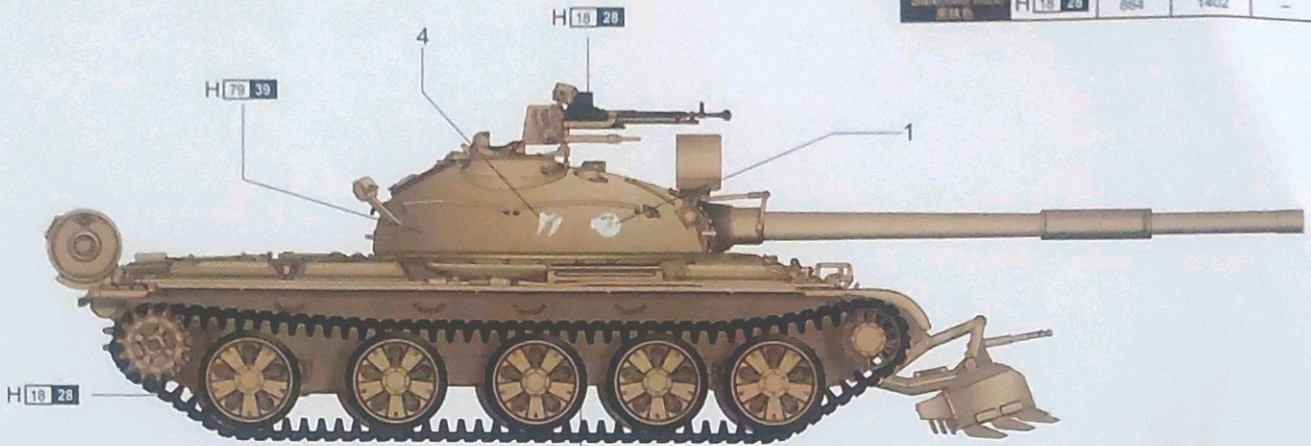


# 涂装同标贴指示

## Painting & Marking guide

### PAINT REFERENCE COLOUR

Color	Mr.Hobby	Vallejo	Model Master	Tamiya	Humbrol
Tan Black 沙黄色	H 77 137	—	—	—	—
Dark Yellow 沙黄色	H 79 39	842	—	XF59	93
Stainless Steel 不锈钢色	H 18 28	884	1402	—	—



H AQUEOUS HOBBY COLOR ■ Mr. COLOR