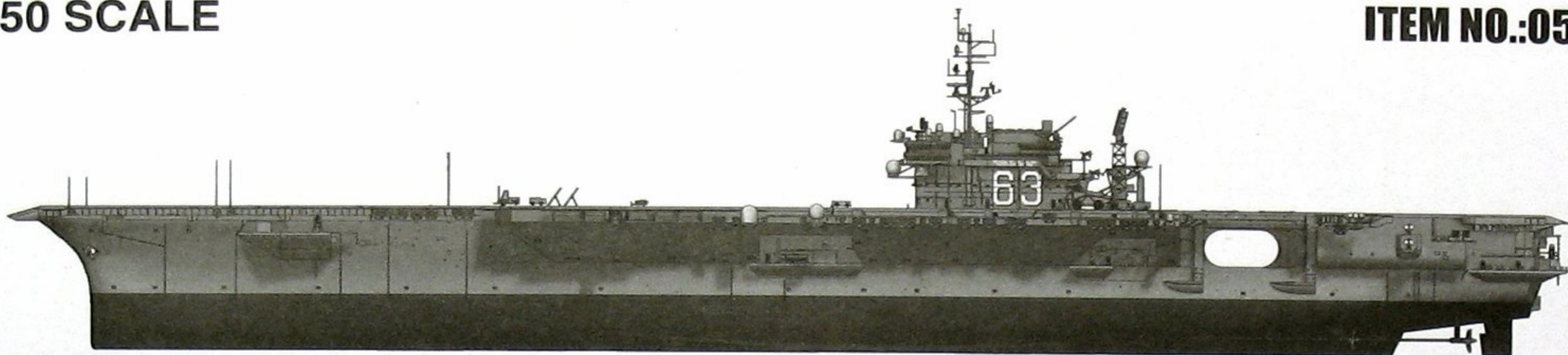


1/350 SCALE

ITEM NO.:05619



USS Kitty Hawk CV-63

美国海军“小鹰”号航空母舰CV-63

READ BEFORE ASSEMBLY:

- This kit is not recommended for inexperienced modelers or for children under 14 years of age
- Study and understand these instructions thoroughly before beginning assembly
- When needed, remove photo-etch parts carefully using a modeling knife or photo etch sprue cutter, being careful not to damage or lose small parts.
- Take extra care in handling photo etch parts in order to avoid injury
- Apply instant cement sparingly to photo etch parts where instructed

- Tools recommended(not included in kit):Plastic and instant cements,sprue cutters,long nose pliers,modeling knife, small files, tweezers, pin vise & scissors. Soft cloth and sandpaper will also assist in construction
- Glue and paint are not included in the kit. Use plastic cement and hobby paints only. Color guide for purchasing paint is included in the kit.
- Keep out of reach of children. They must not be allowed to ingest small parts or handle plastic bags in any way.

装配之前仔细阅读

- 小心用模型锉刀锉平所有零件表面的注射浇口。
- 小心用刀片切下蚀刻片零件，不要遗失小零件。
- 用强力快干胶水粘合蚀刻片零件和金属轴。过量的快干胶水使用可能导致可动零件会粘住，小心涂胶。
- 取蚀刻片时应特别注意安全，防止利边划伤手指。
- 某些零件表面需贴水贴纸，请选择在装配的同时进行。
- 推荐模型工具(自备)：胶水，水口剪刀，长咀钳，刀片，锉刀，镊子钳，钻，剪刀，瞬间快干胶。
- 软布同砂纸同时也应该是必备工具。
- 请使用塑料胶水和油漆，模型内不含。
- 谨防小孩吸吮塑料零件，或者将塑料袋套在头上，制作时应将套材远离小孩接触。
- 本产品不适合14岁以下没有经验的模型爱好者。

水贴纸的使用:

1. 从水贴上剪下印花;
2. 将印花放入温水中浸10秒，然后放在干净布上。
3. 拿着印花纸板将印花移到模型上;
4. 手指蘸水将印花移到适当的位置;
5. 用软布轻压印花直至水干，汽泡消失。

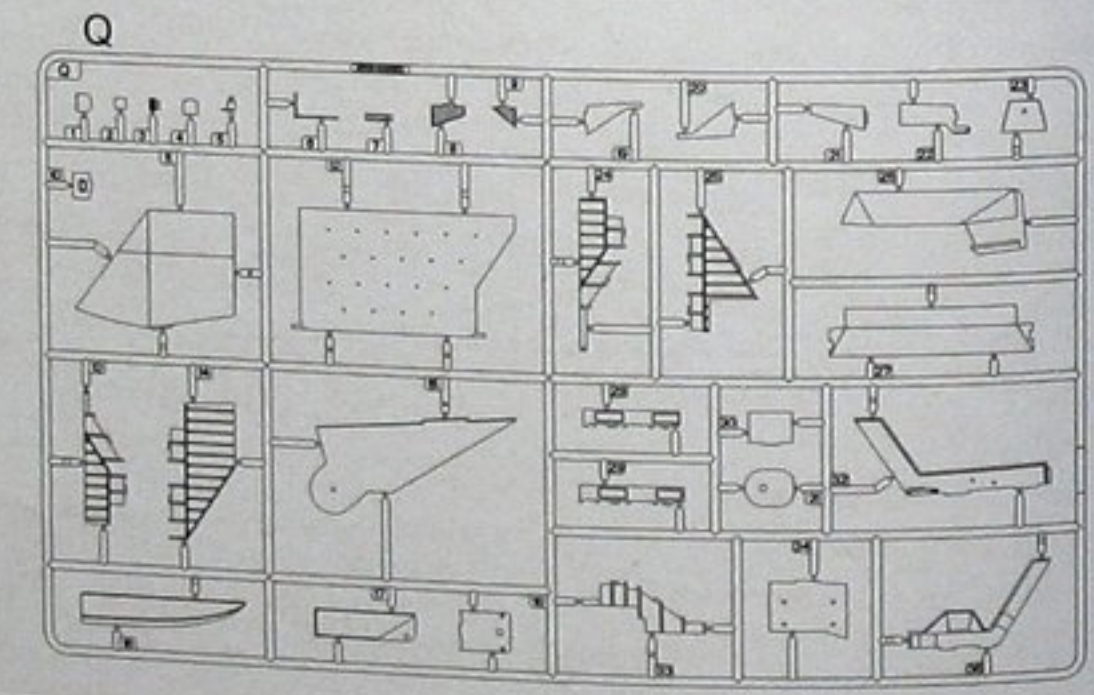
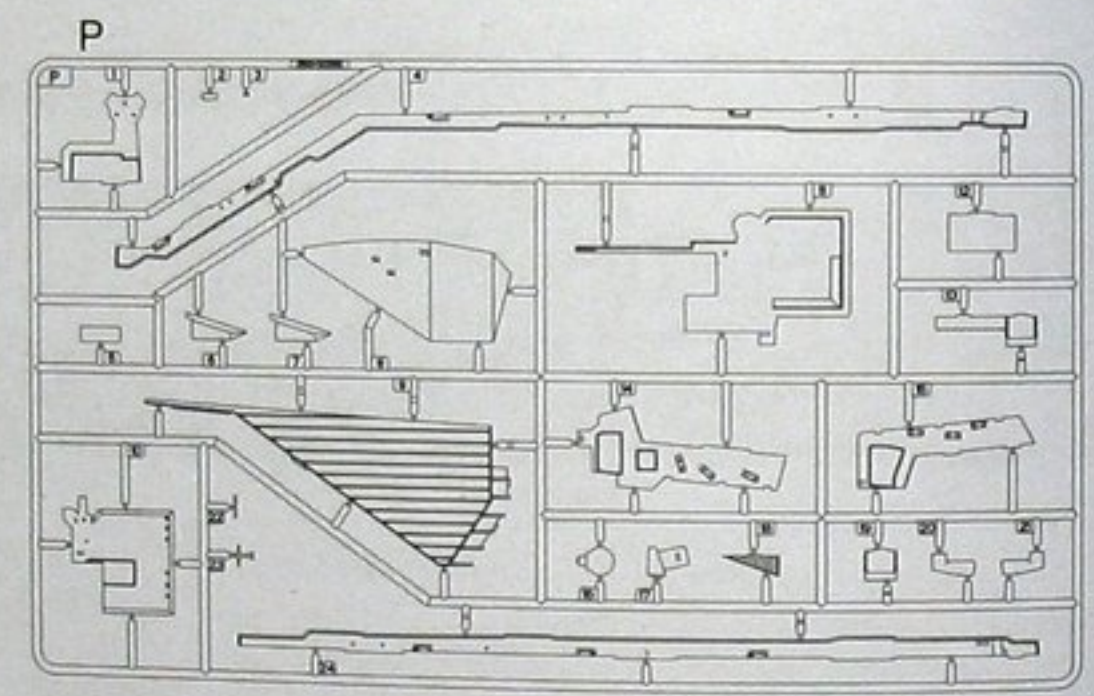
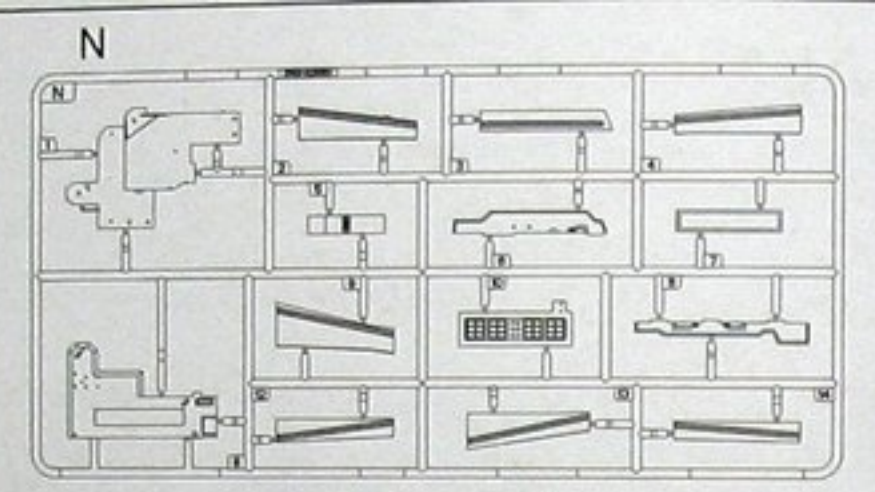
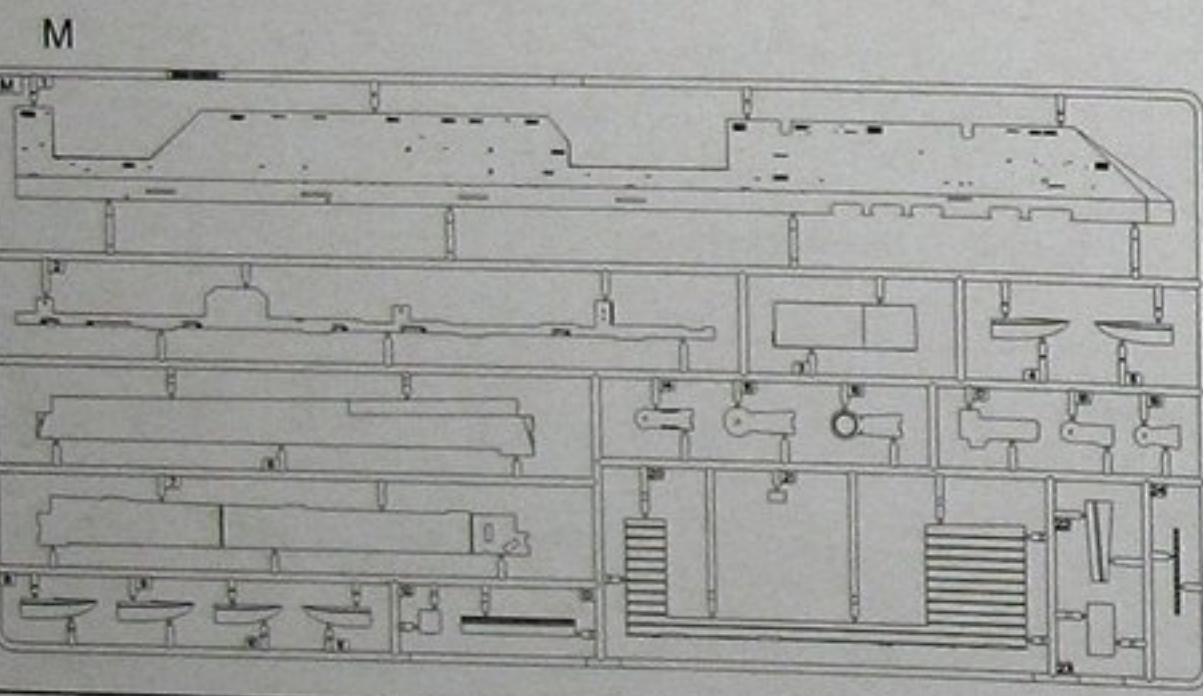
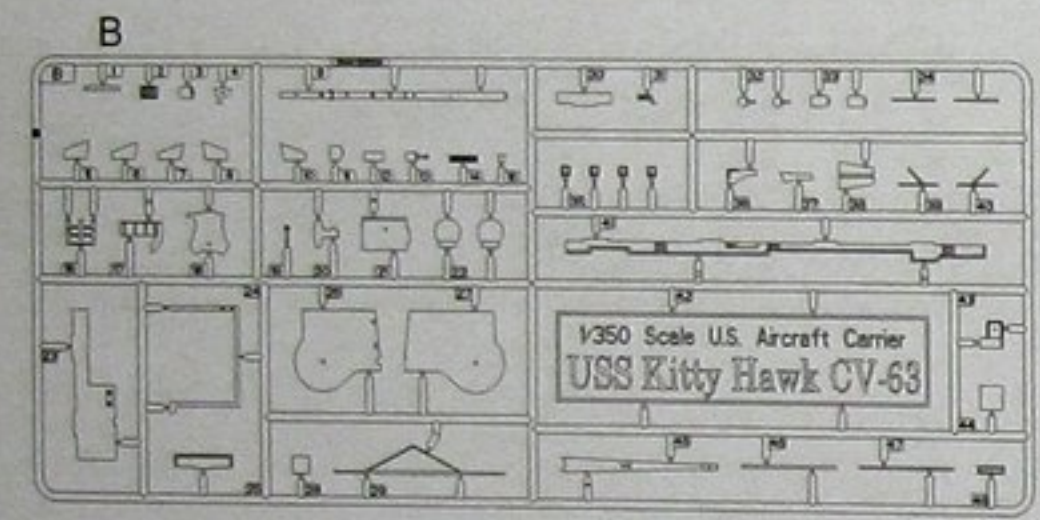
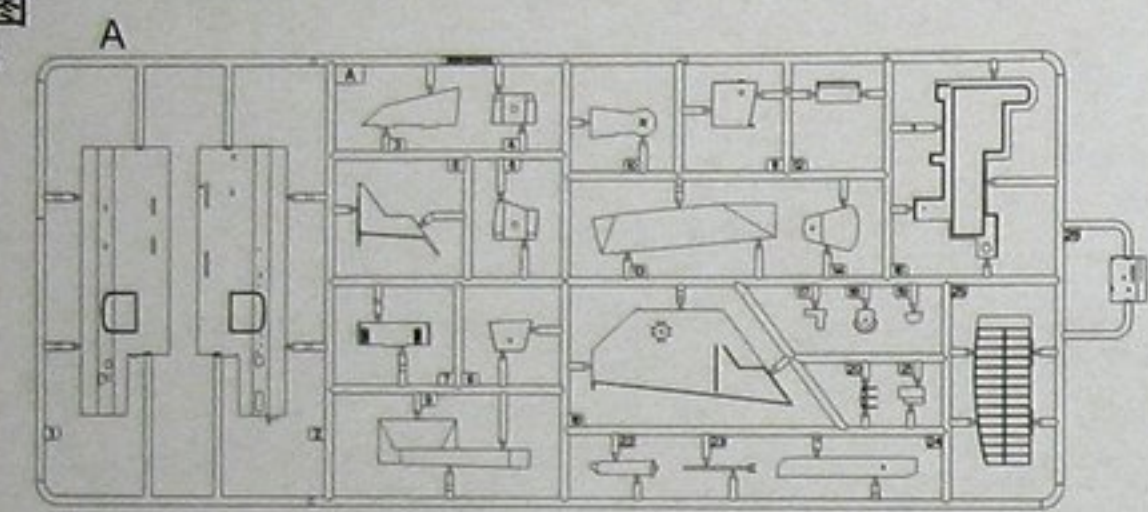
DECAL APPLICATION:

1. Cut decals from sheet as needed
2. Dip the decal in warm water for about 10 seconds and then place on soft clean cloth.
3. Hold the decal backing sheet edge and gently slide the decal onto the model in its proper position.

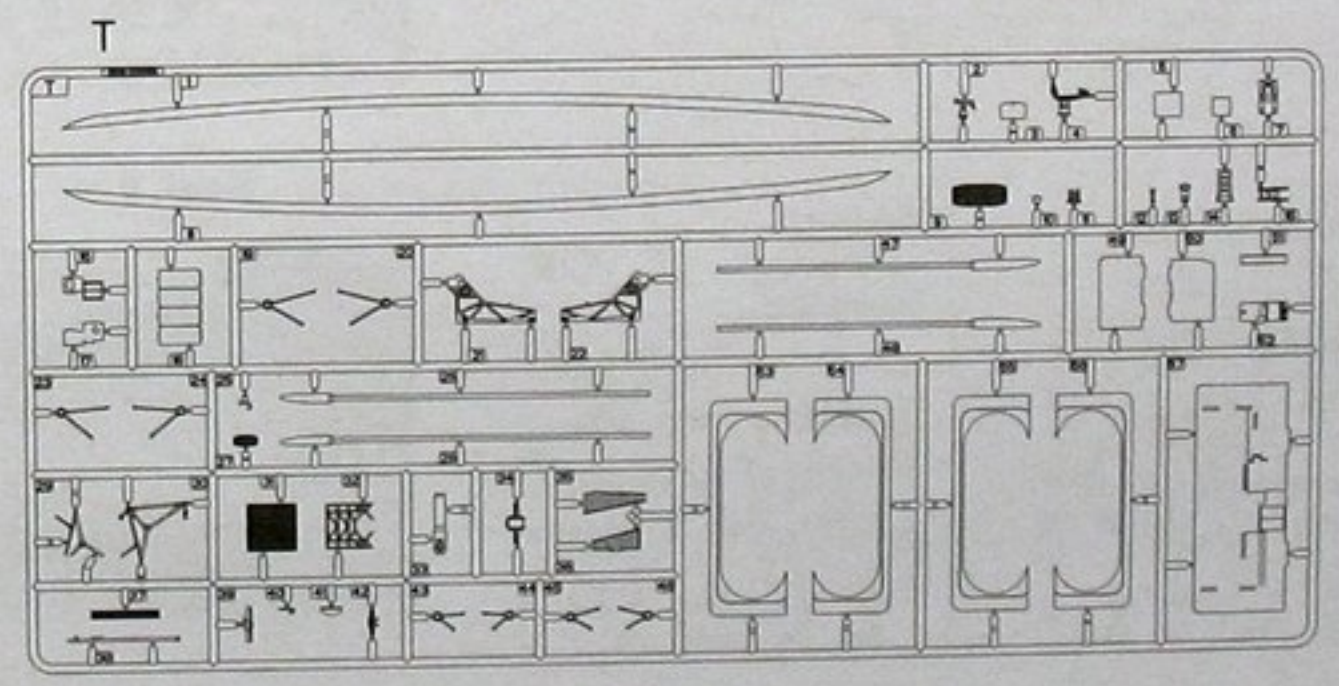
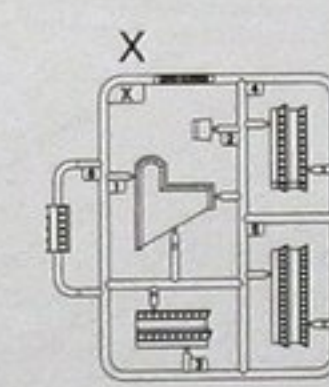
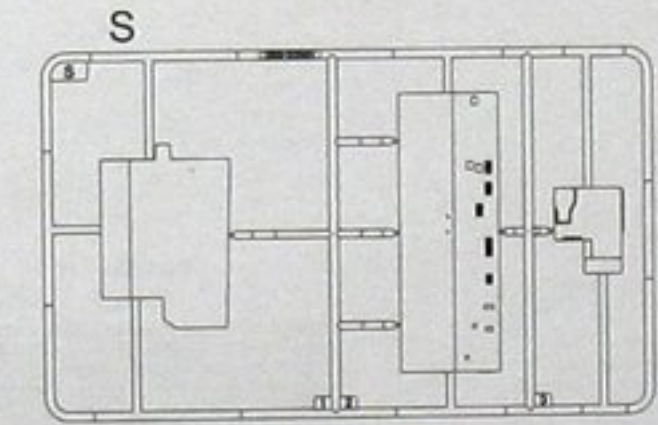
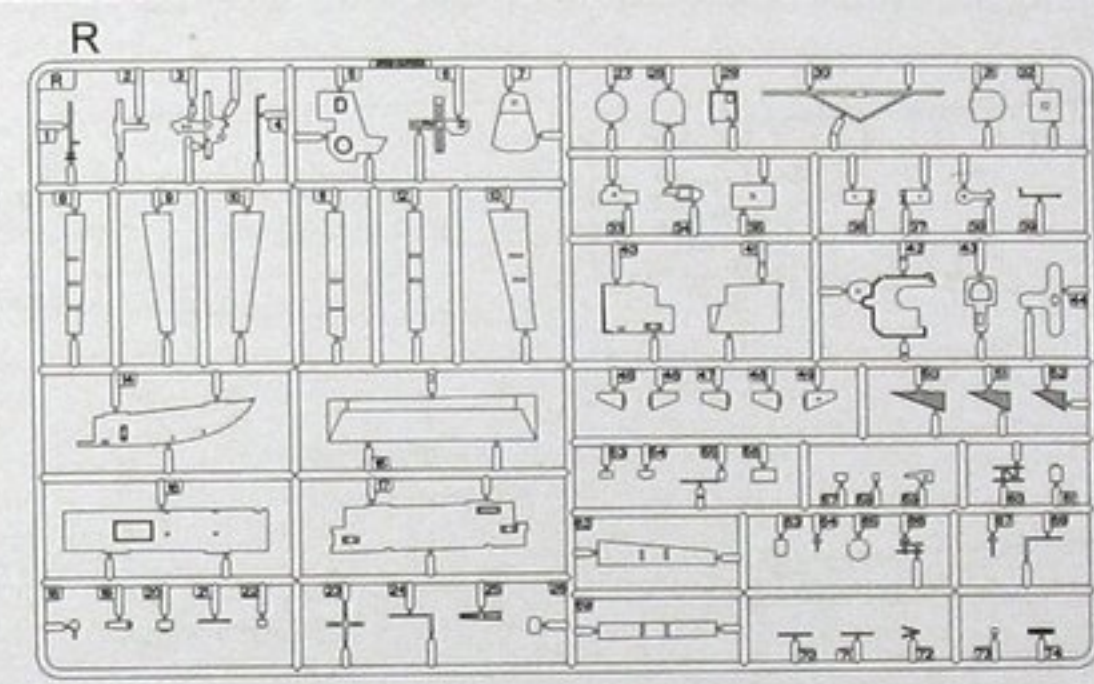
4. While still wet,decal can be adjusted for better fit on model by dampening it gently with your finger.
5. When placed in the proper position,gently press decal down with a soft cloth until excess water and air bubbles are gone.
6. Allow decal to dry completely before handling model



部品图
Parts



部品图
Parts



《舰桥U1》 Bridge U1

W×2

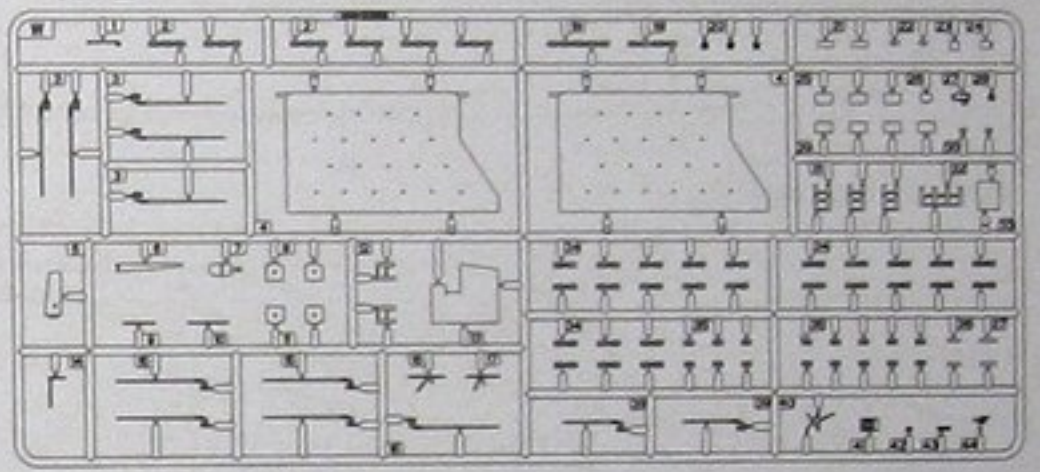


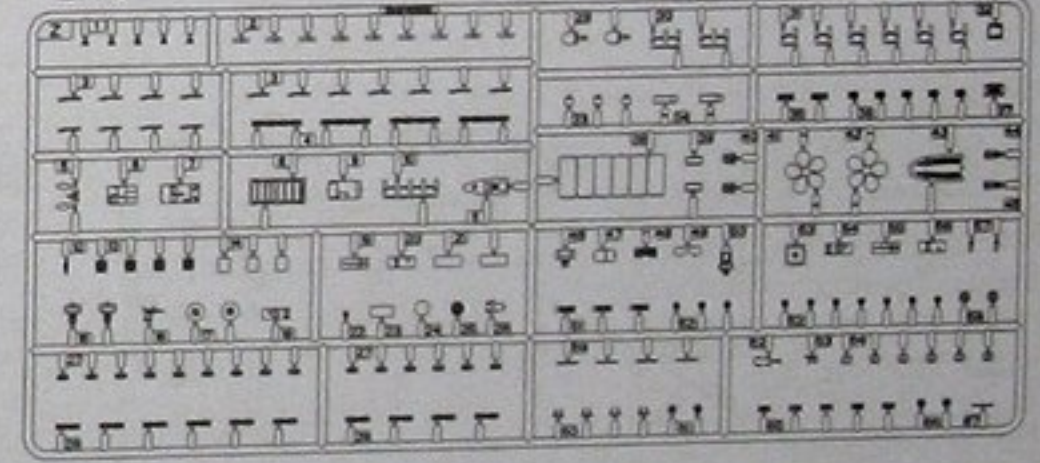
Photo Etched Parts 《蚀刻片》 PE_A



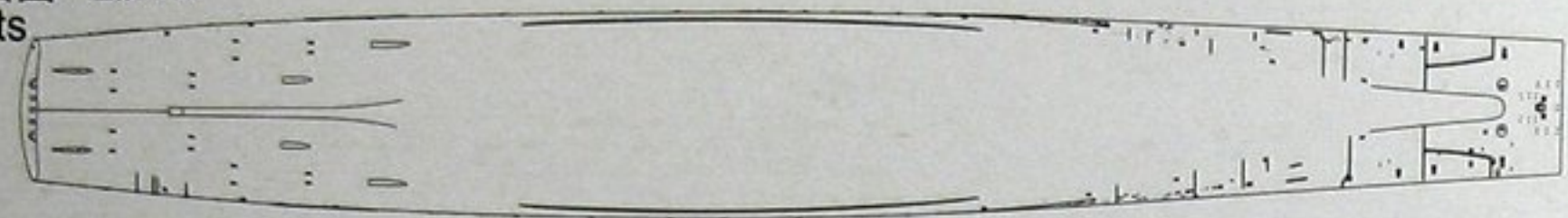
Photo Etched Parts 《蚀刻片》 PE_B



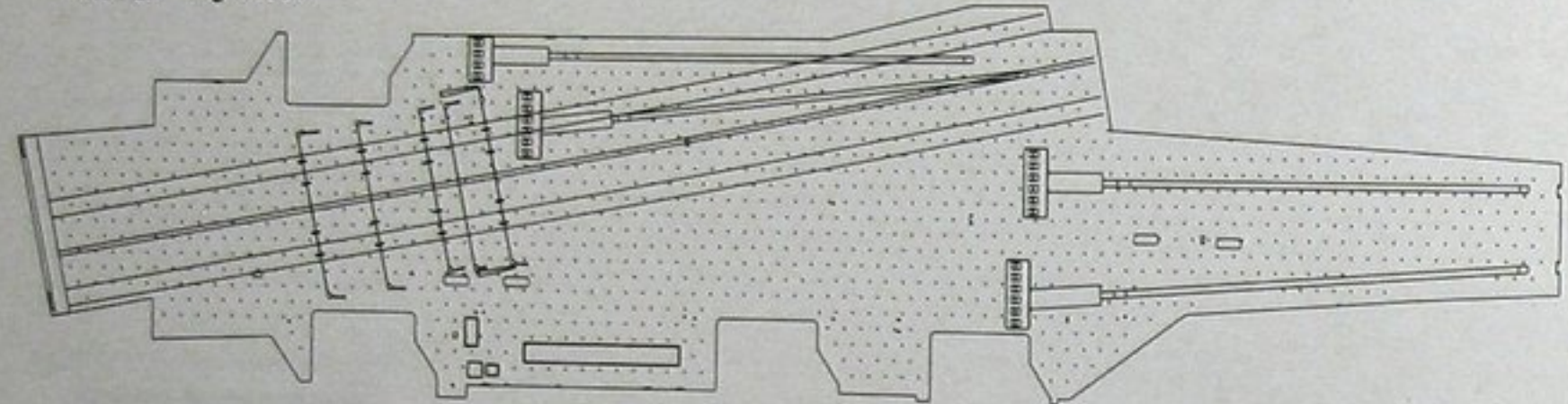
Z×3



部品图
Parts

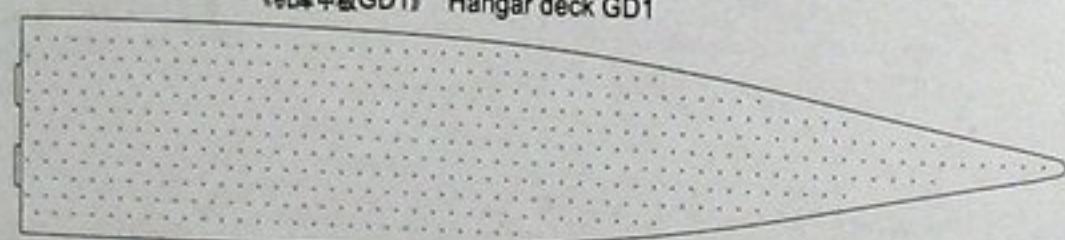
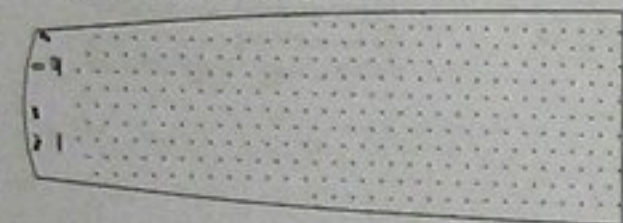


《飞行甲板》 Flight deck



《机库甲板GD2》 Hangar deck GD2

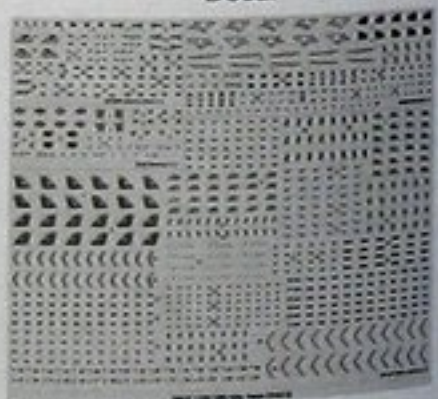
《机库甲板GD1》 Hangar deck GD1



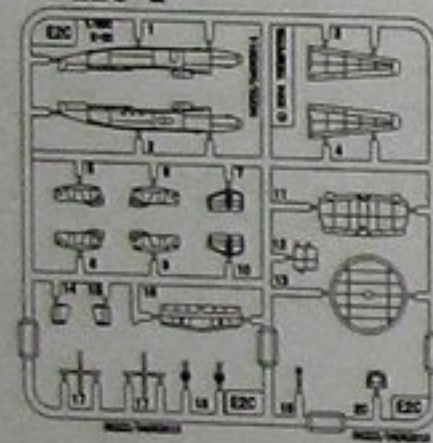
《水贴纸》 A
Decal



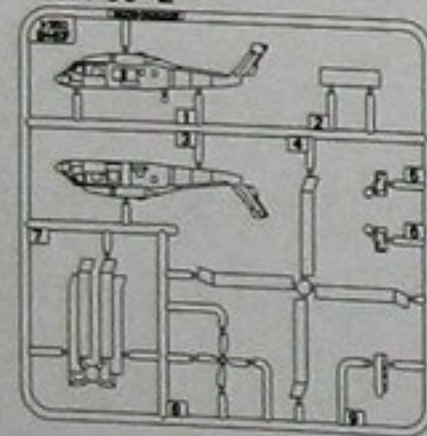
《水贴纸》 B
Decal



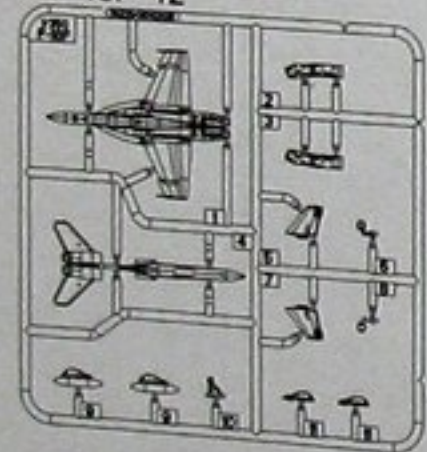
E2C×2



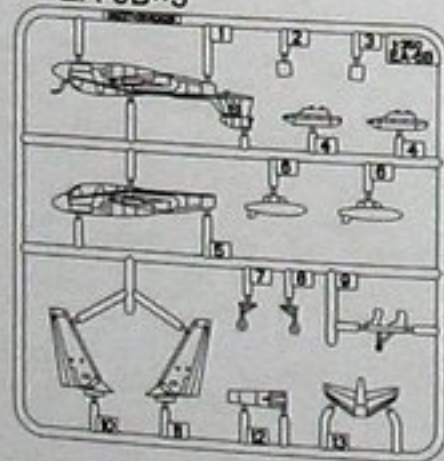
SH-60×2



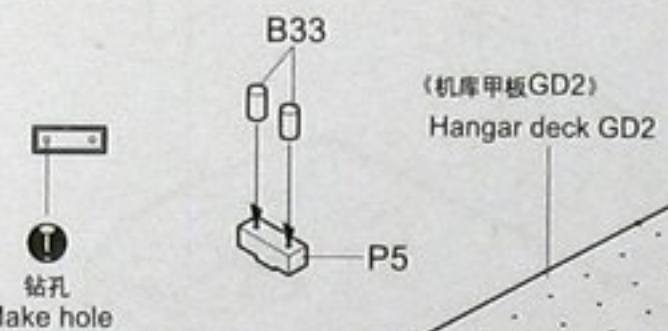
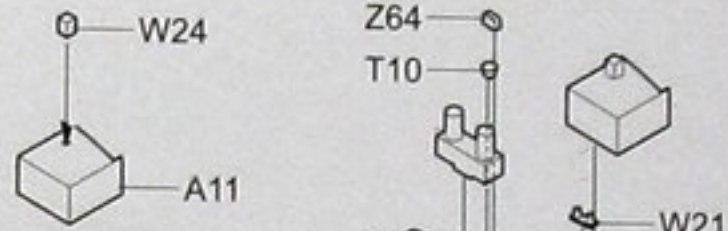
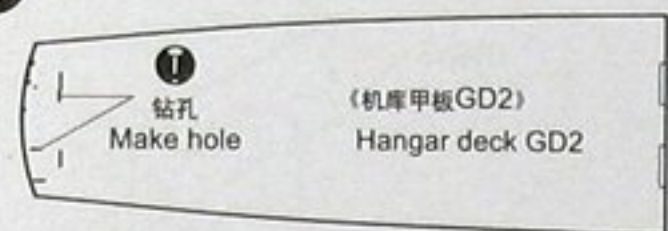
F-18F×12



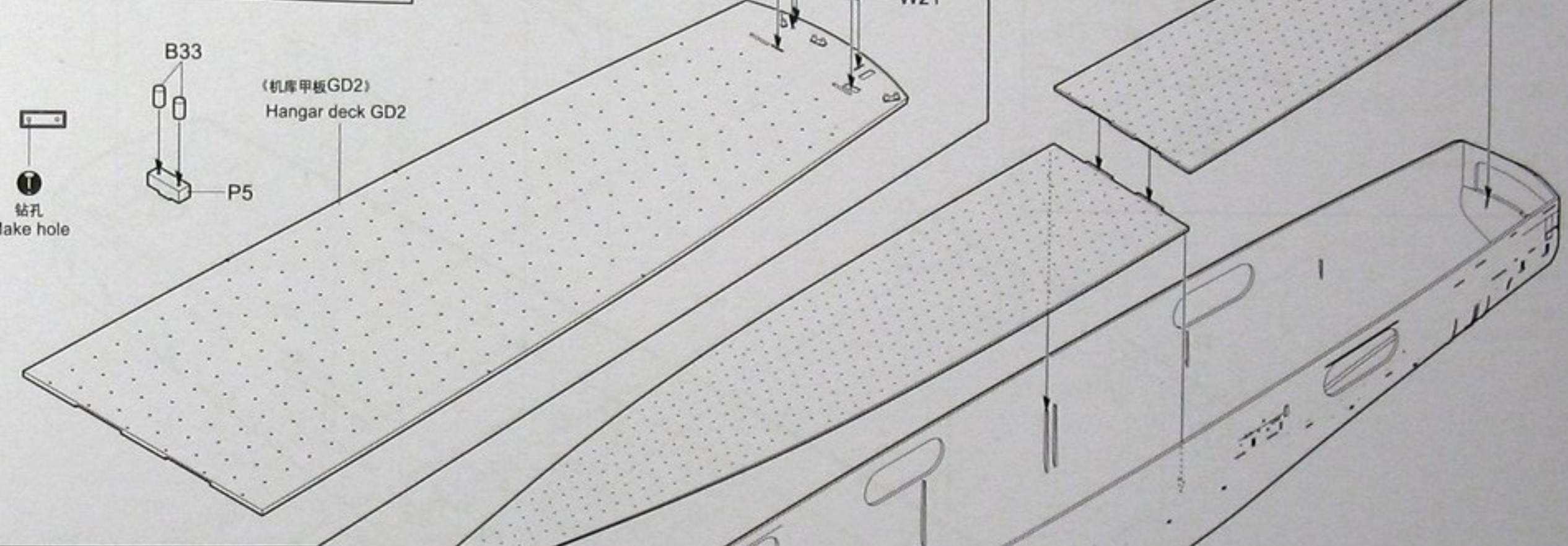
EA-6B×5



1



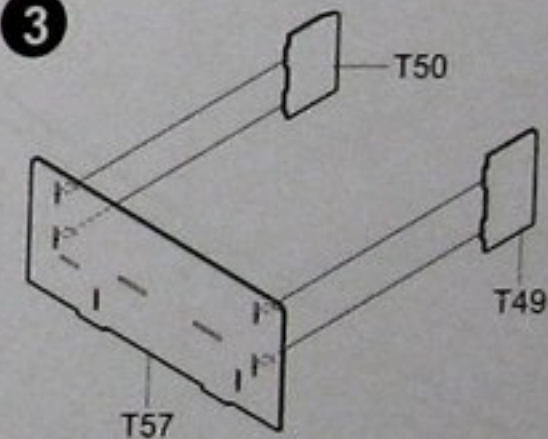
2

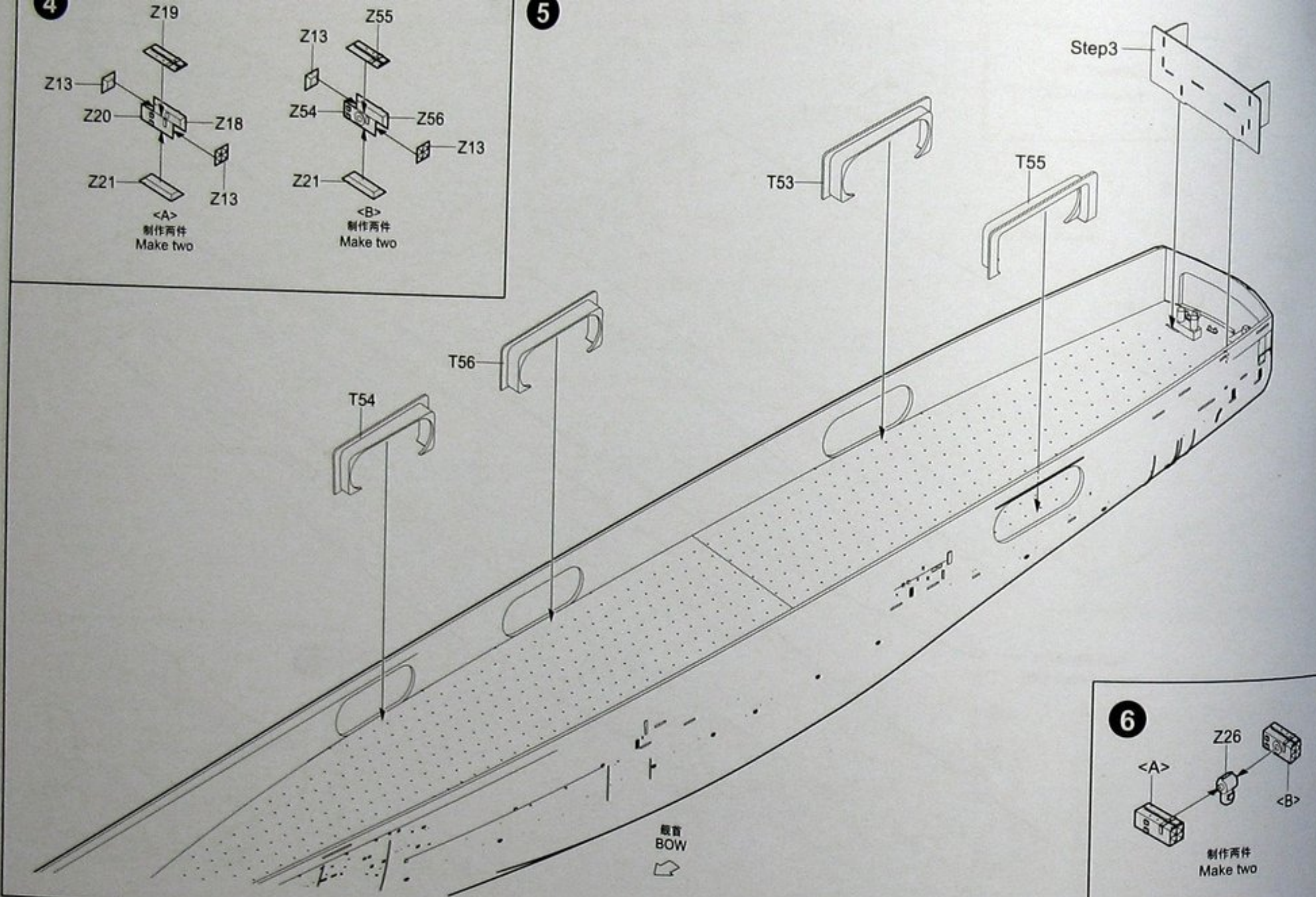


《机库甲板GD1》
Hangar deck GD1

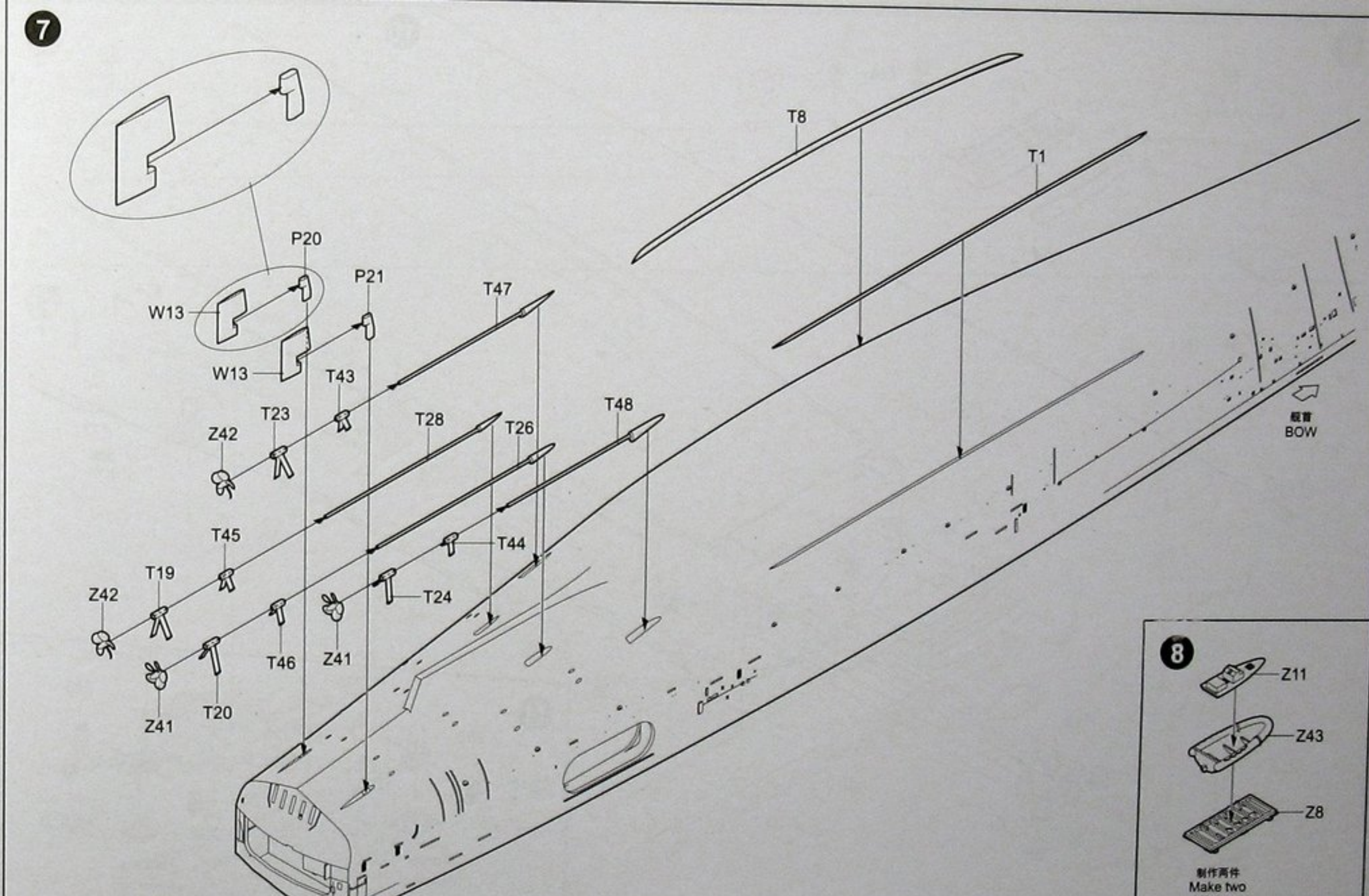
舰首
BOW

3

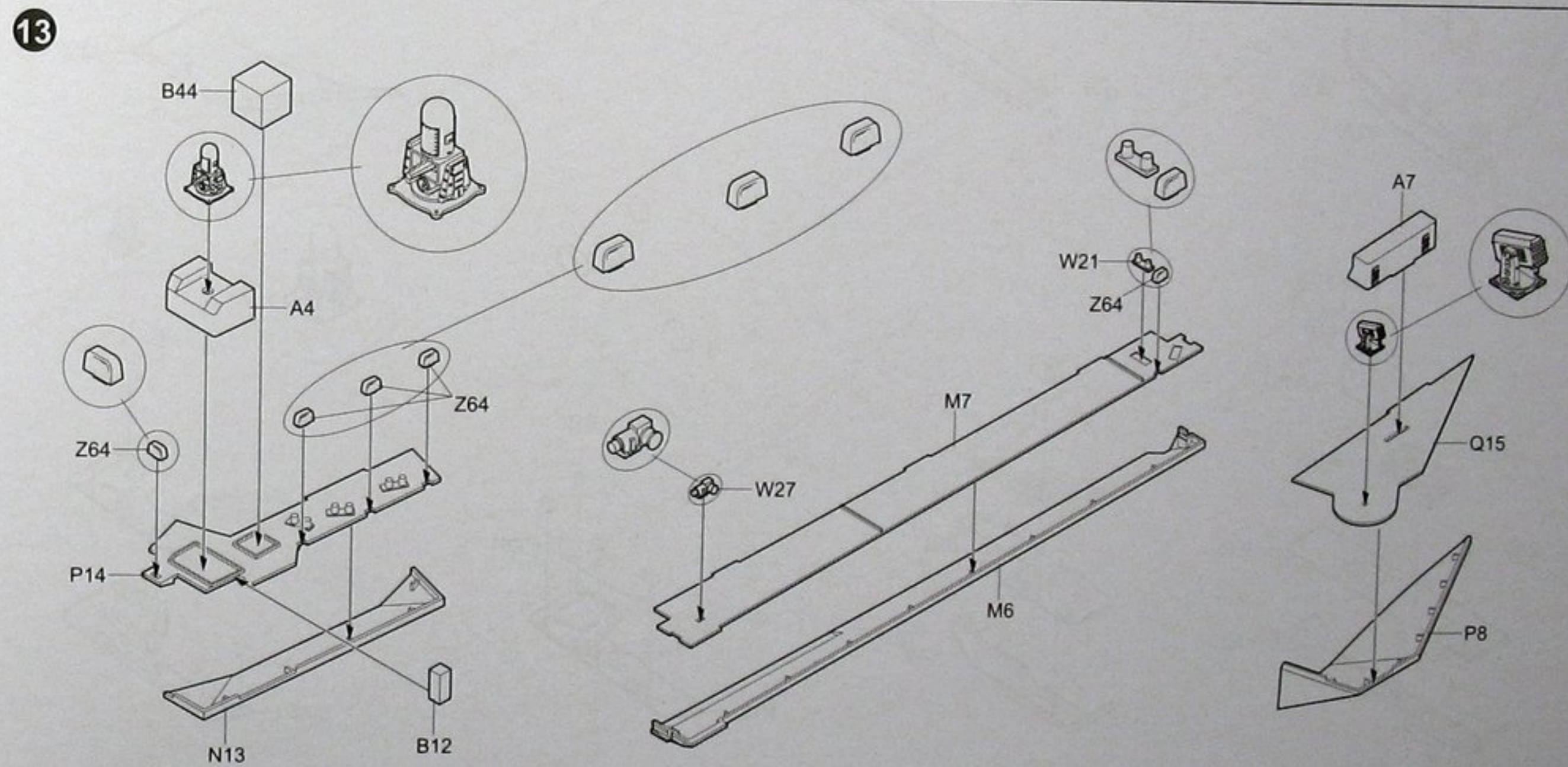
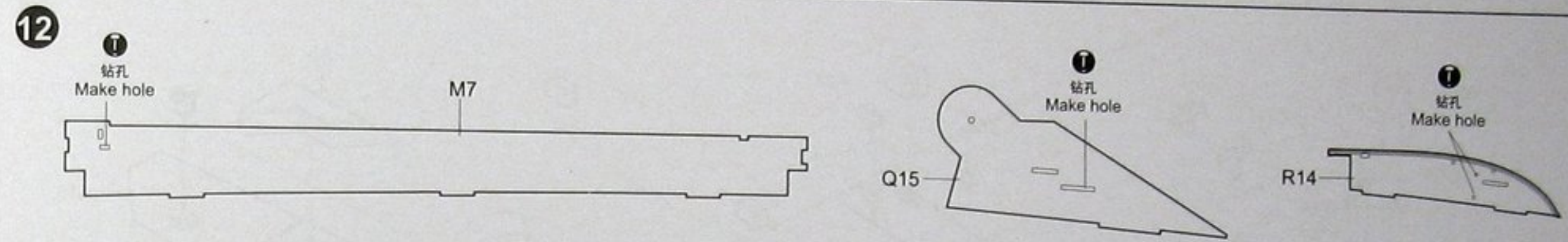
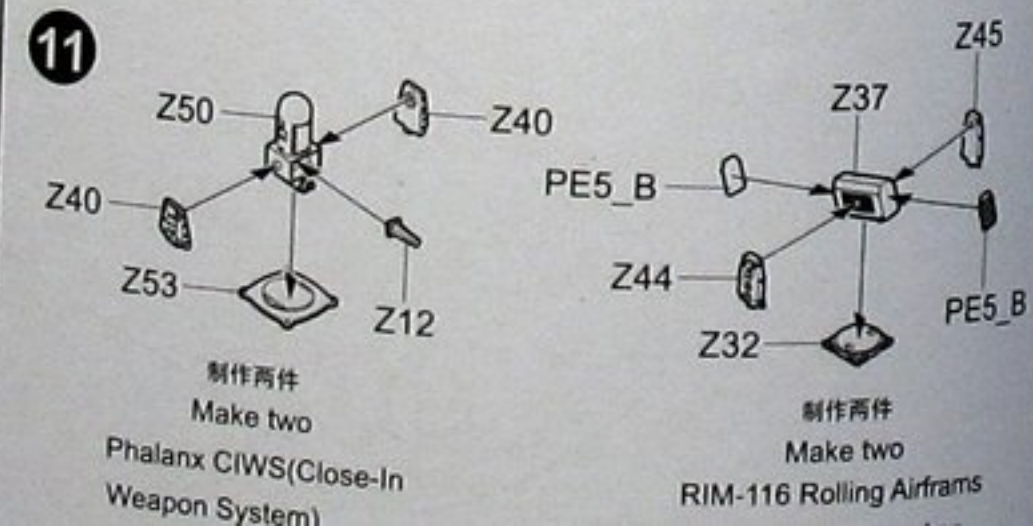
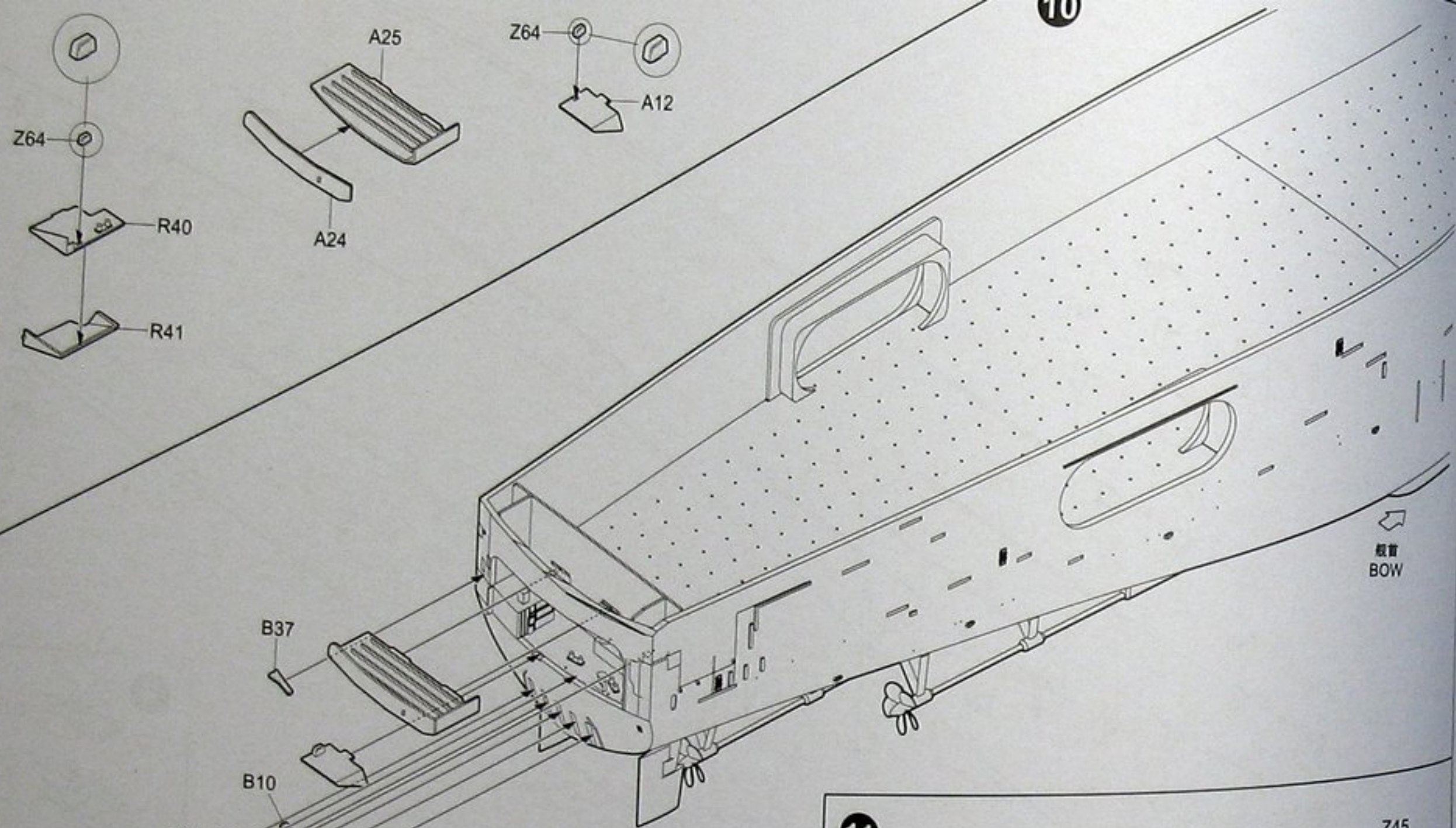




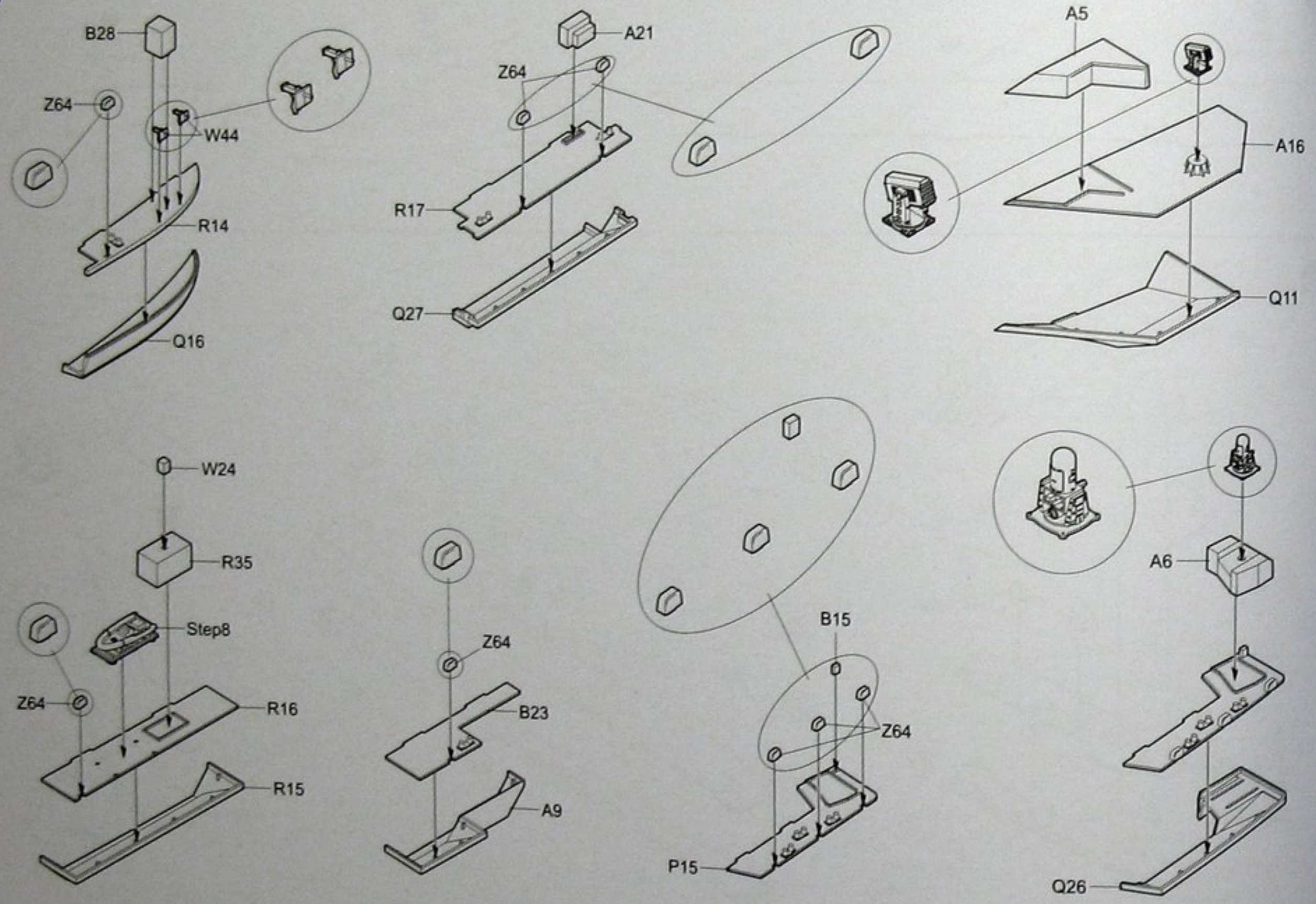
05619



05620

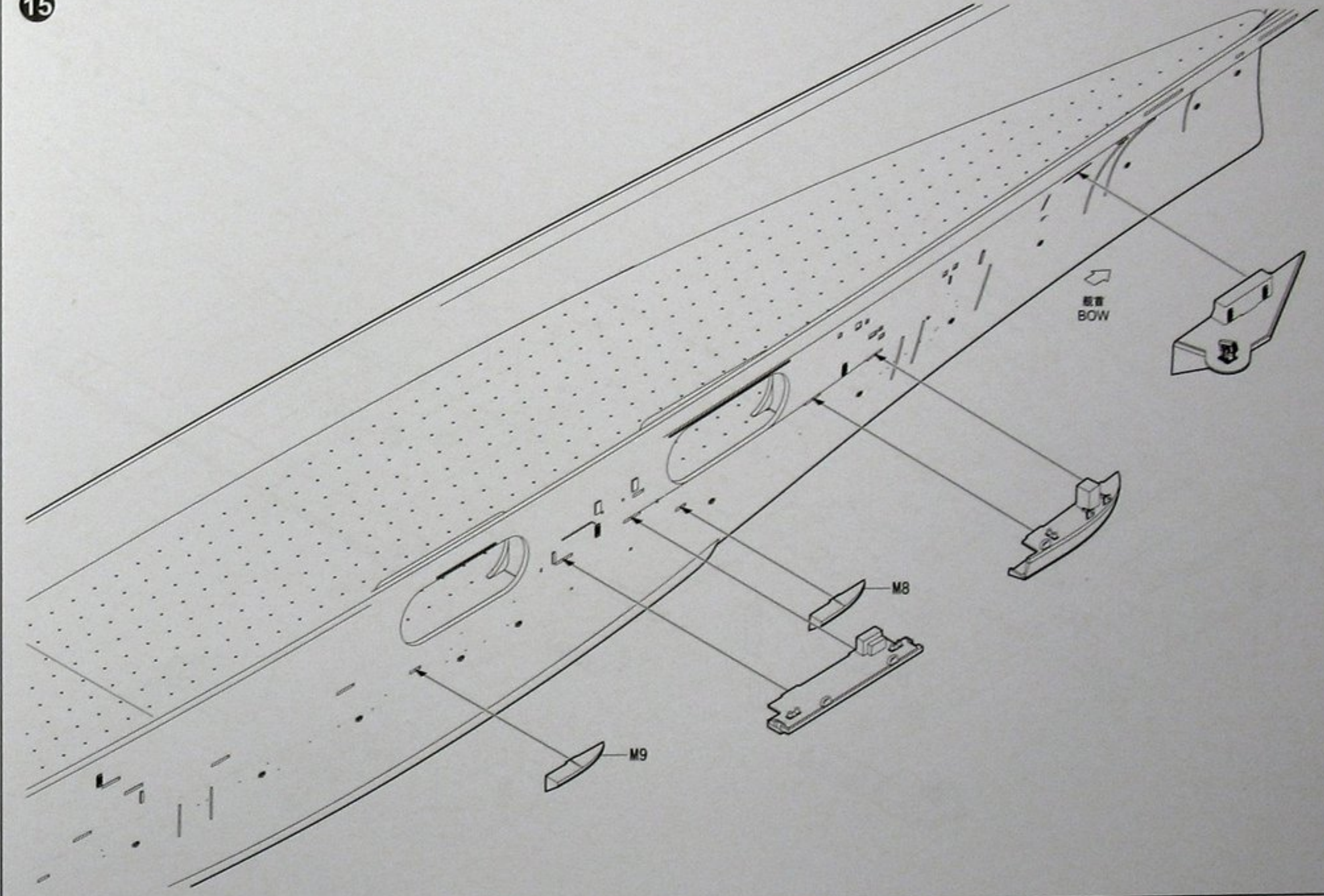


14

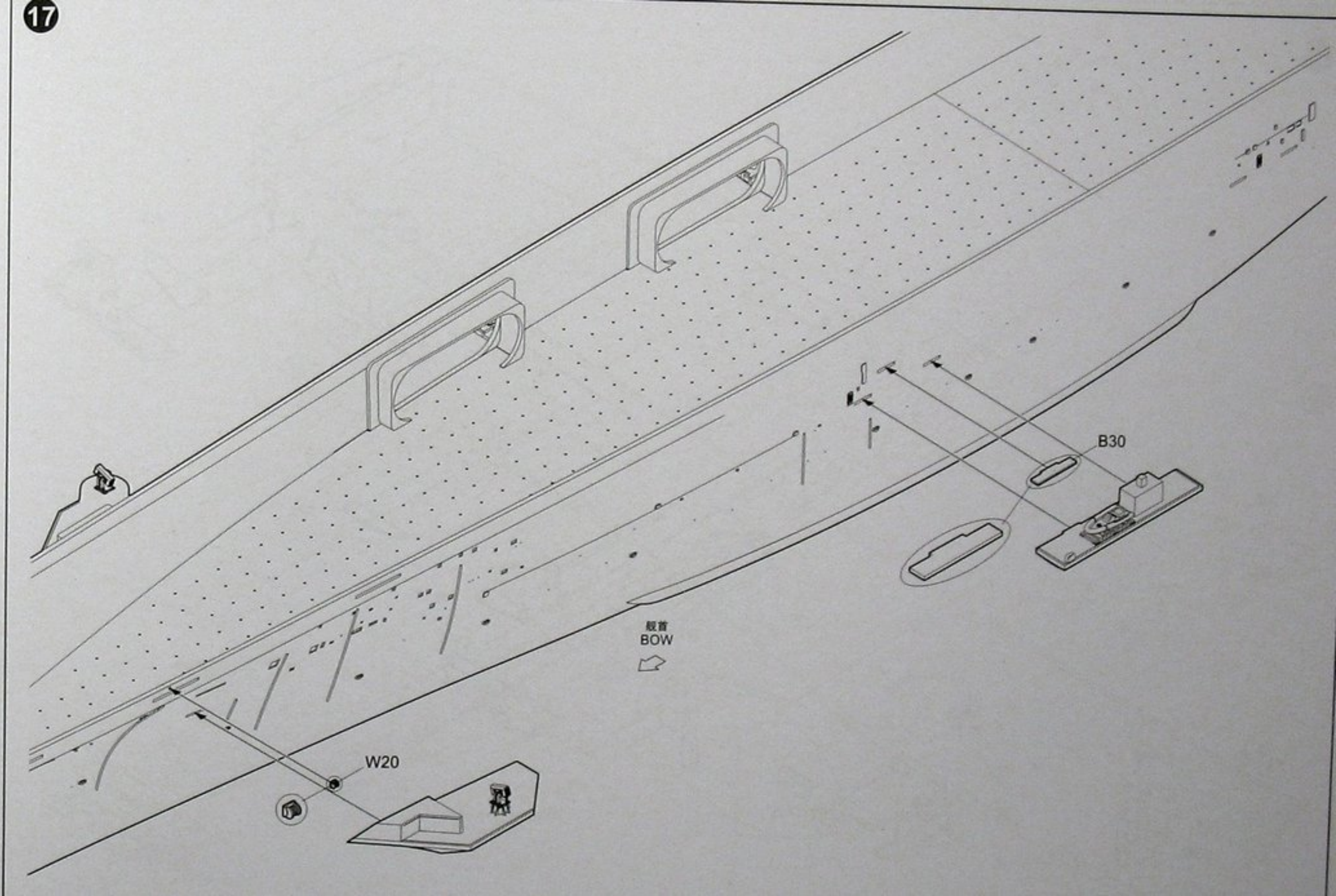
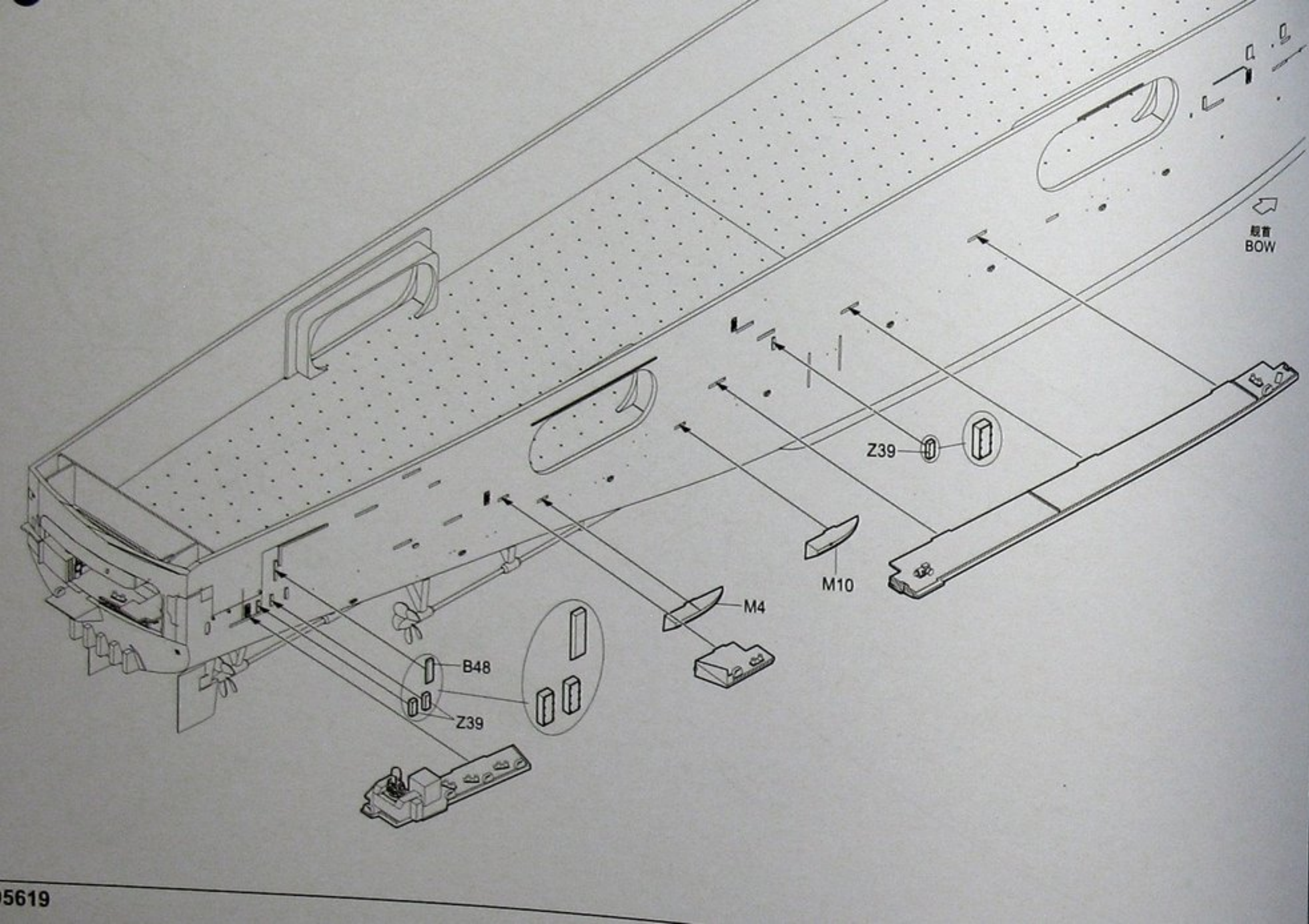


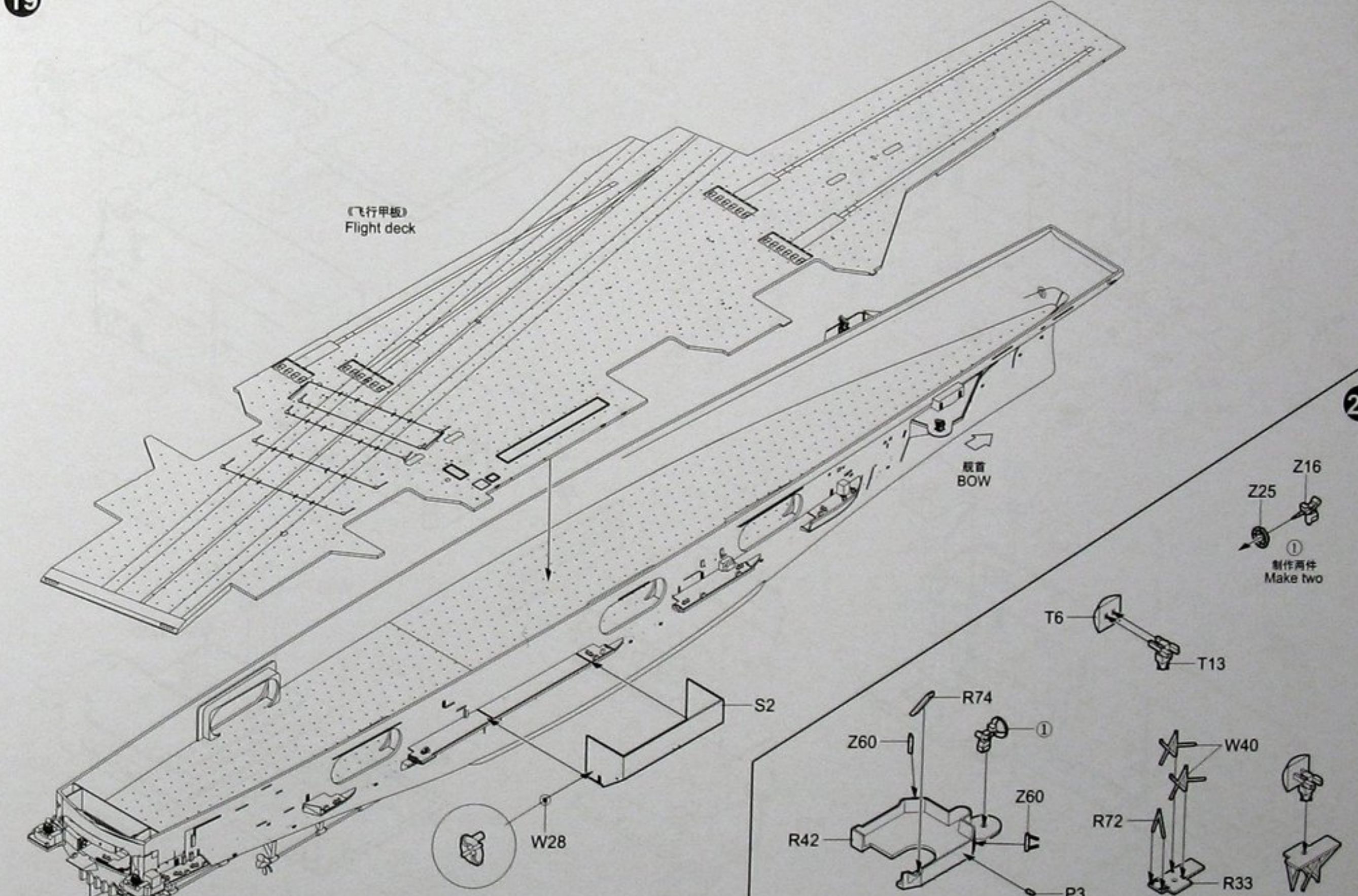
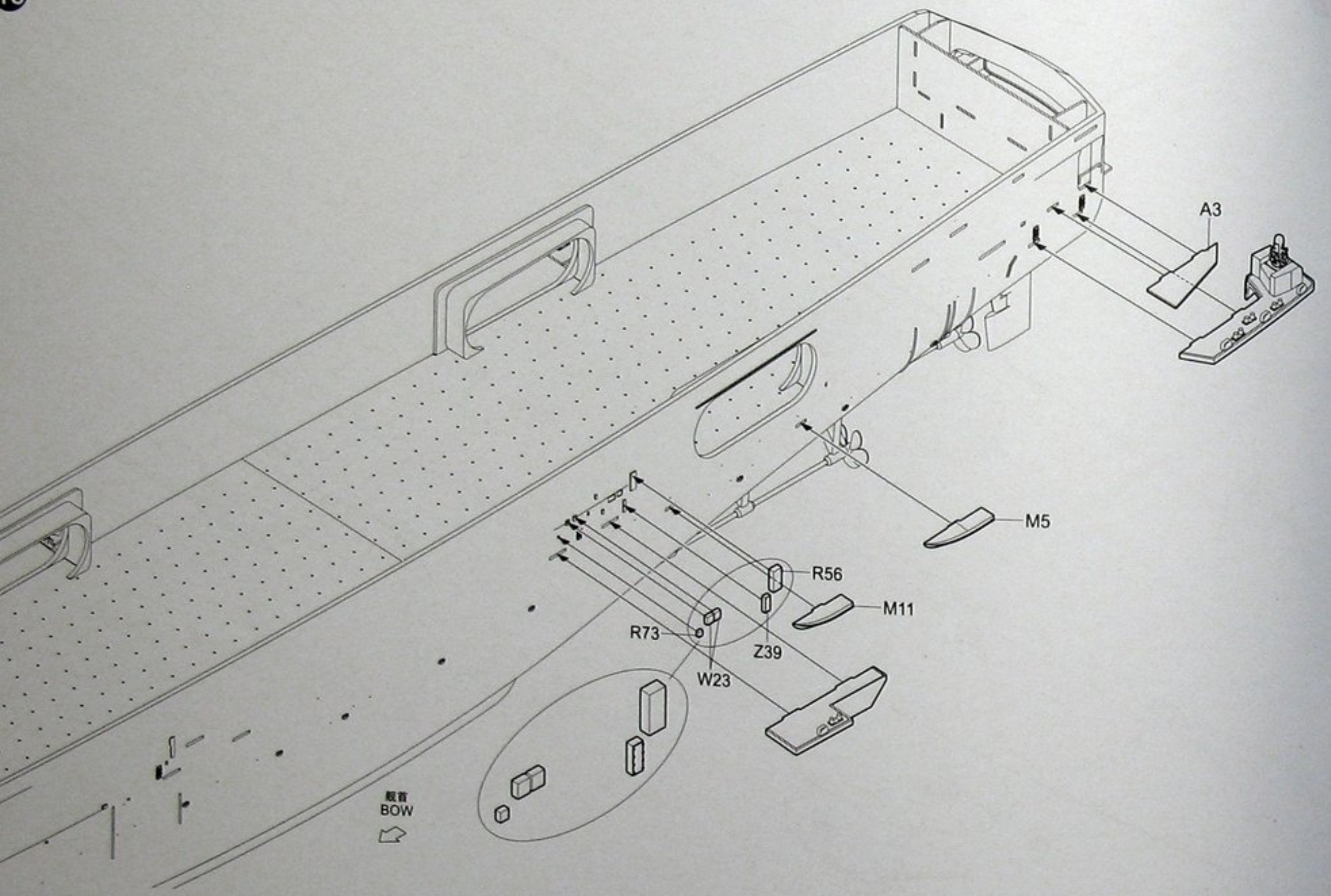
05619

15



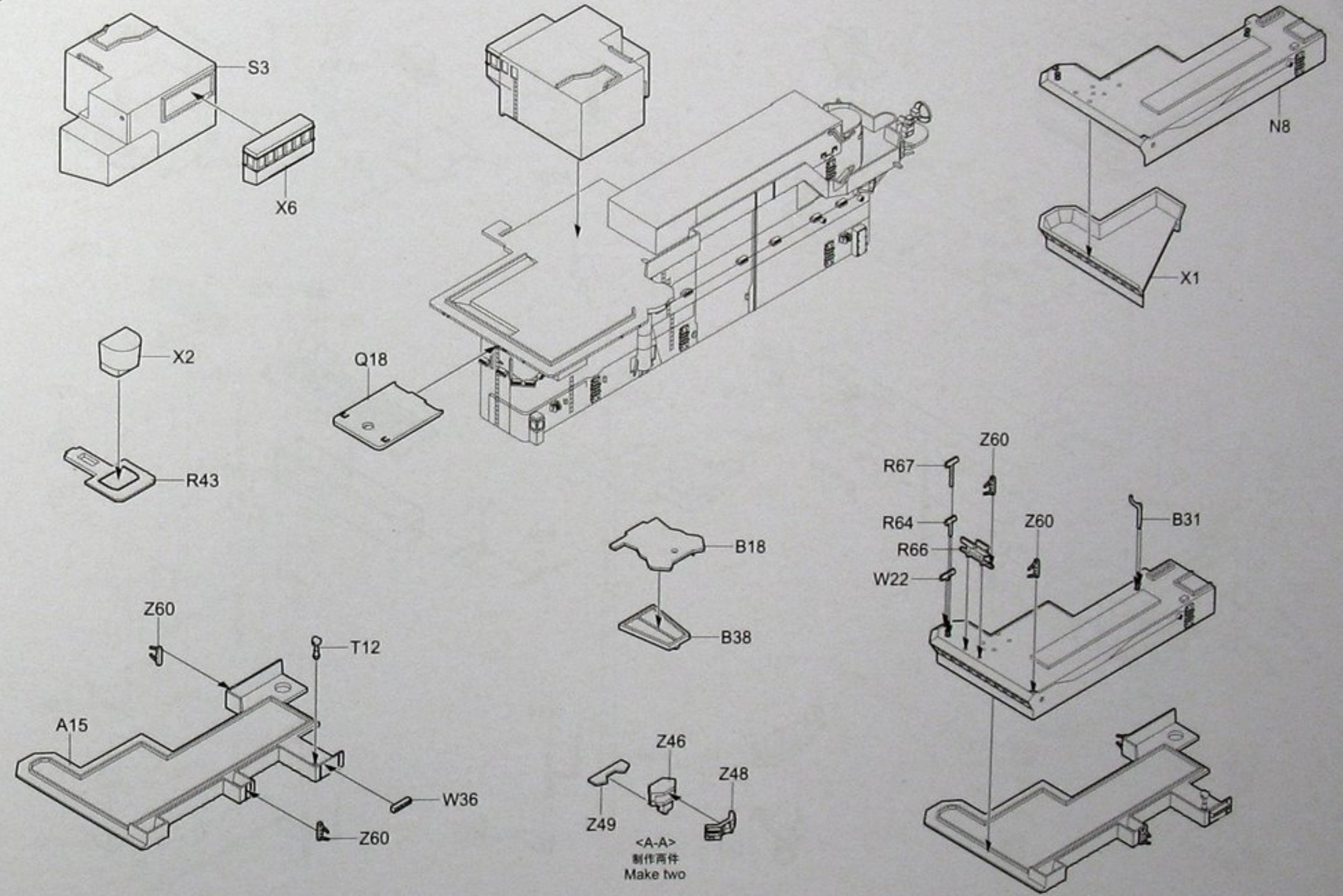
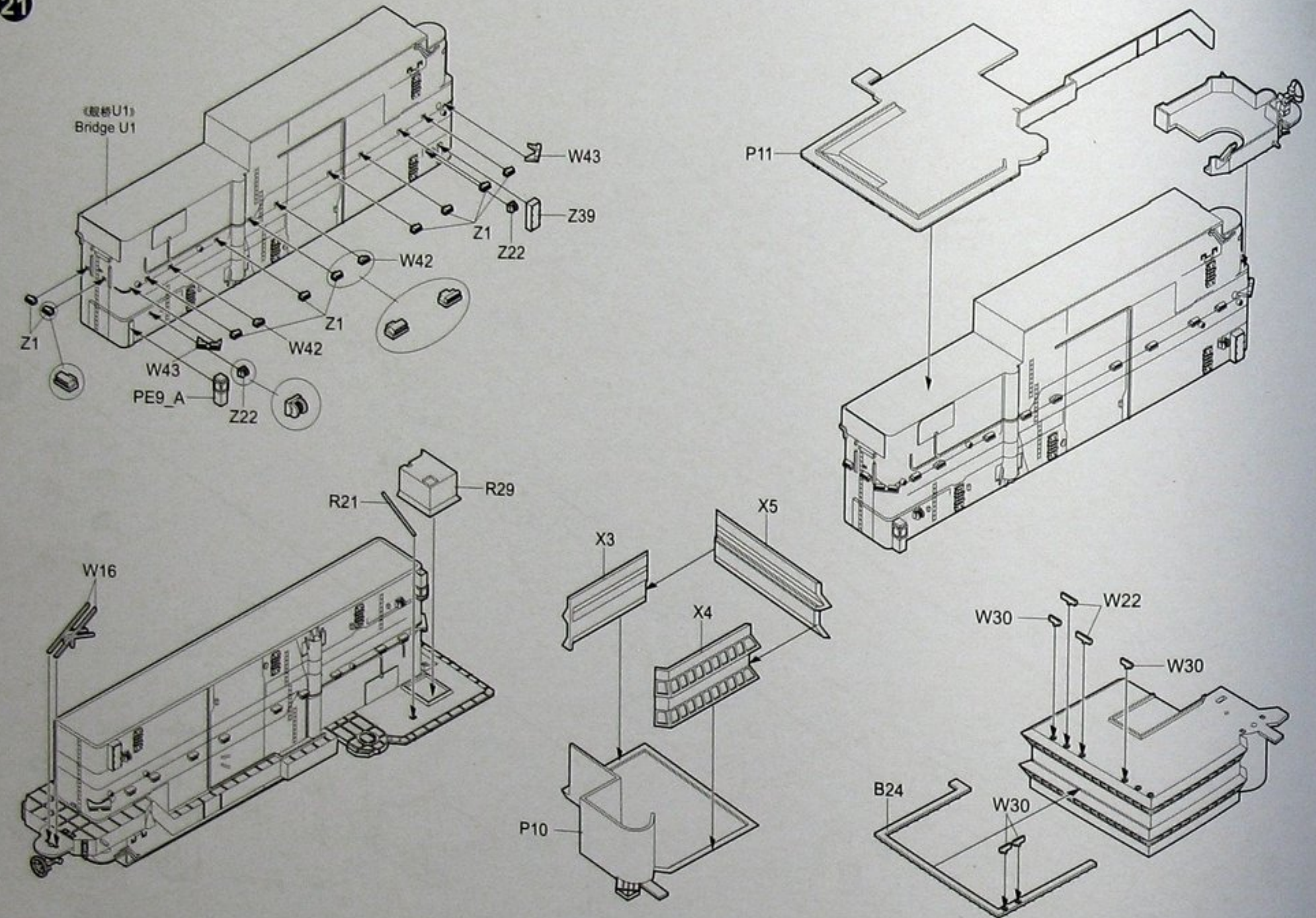
11

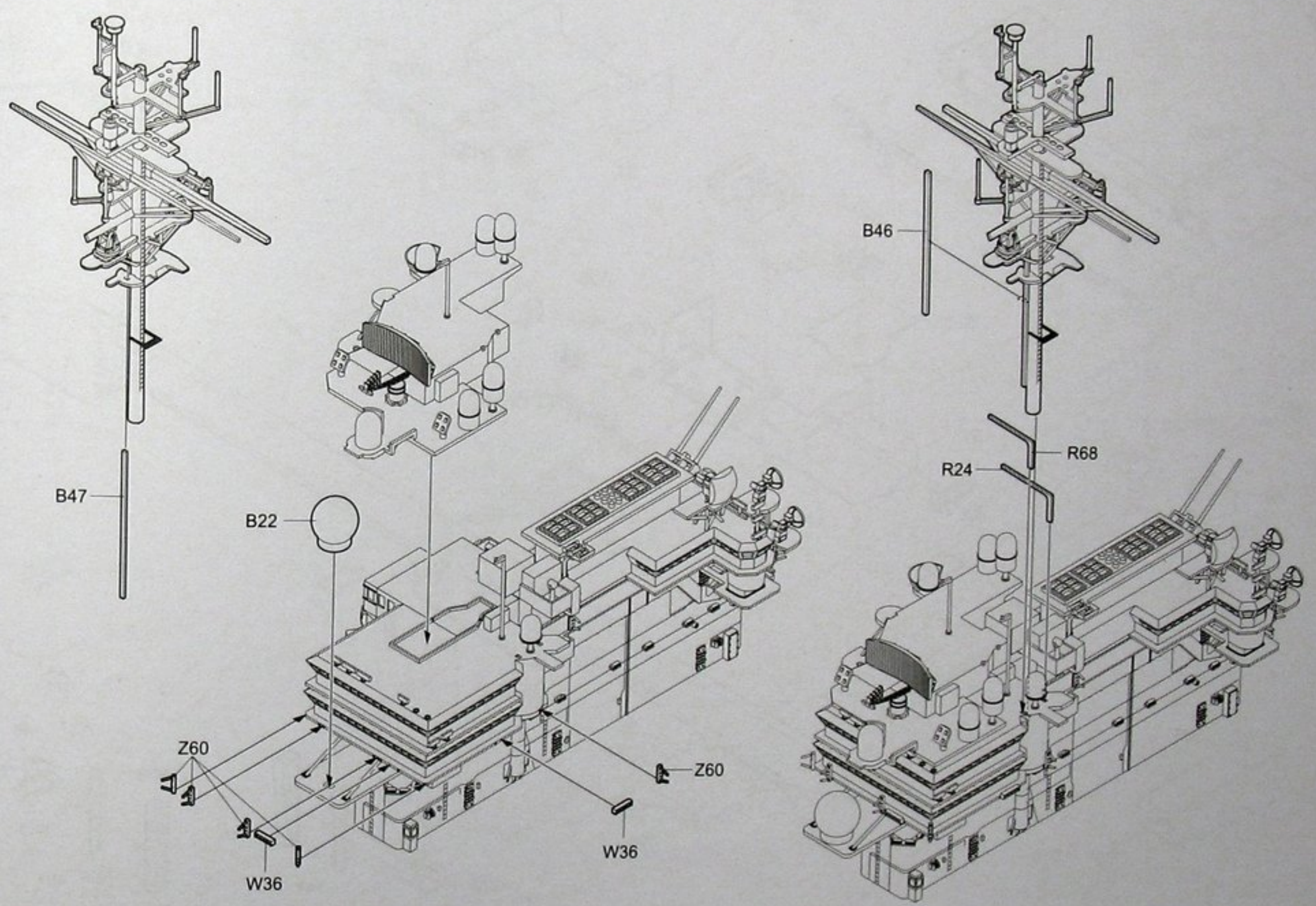
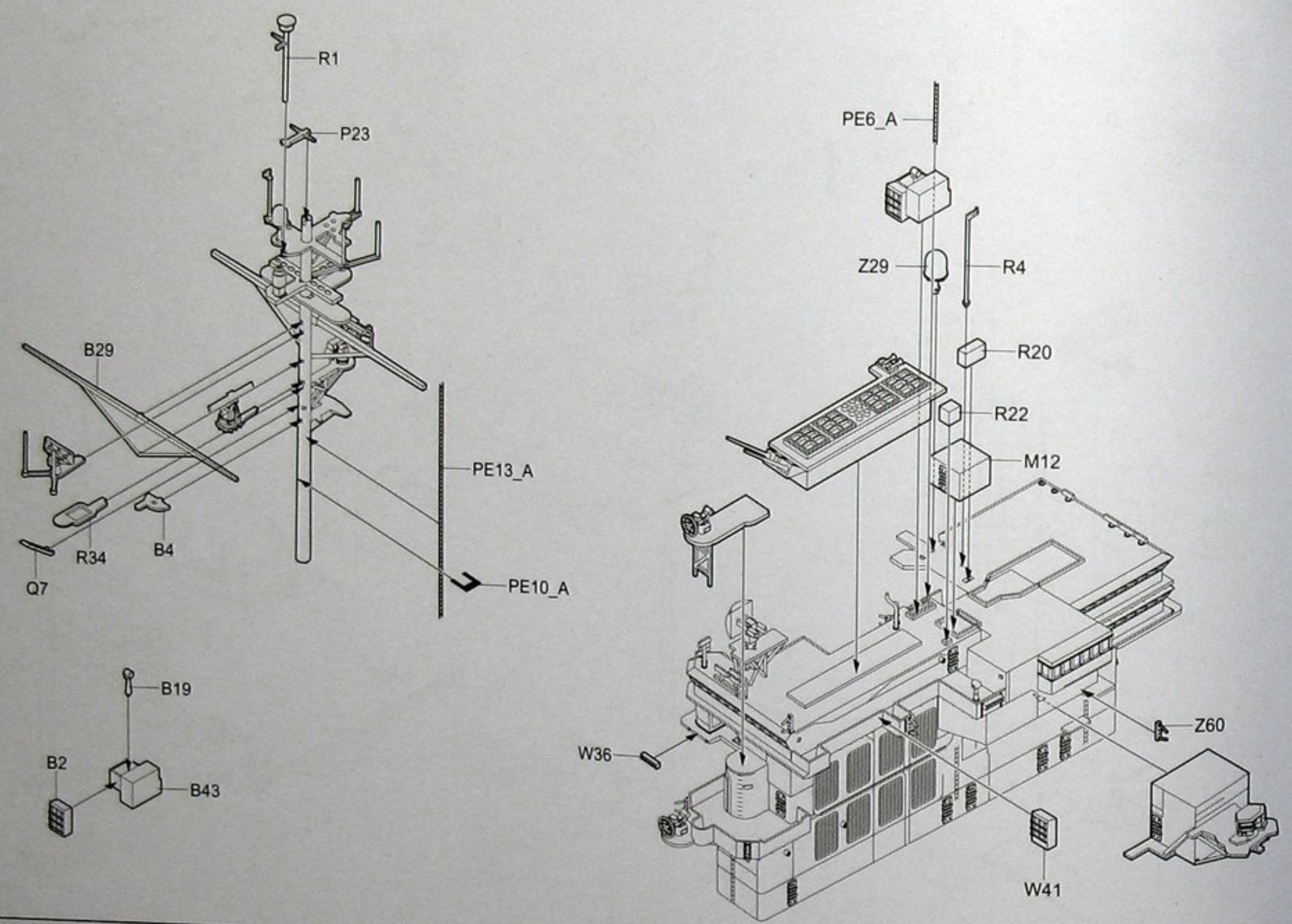


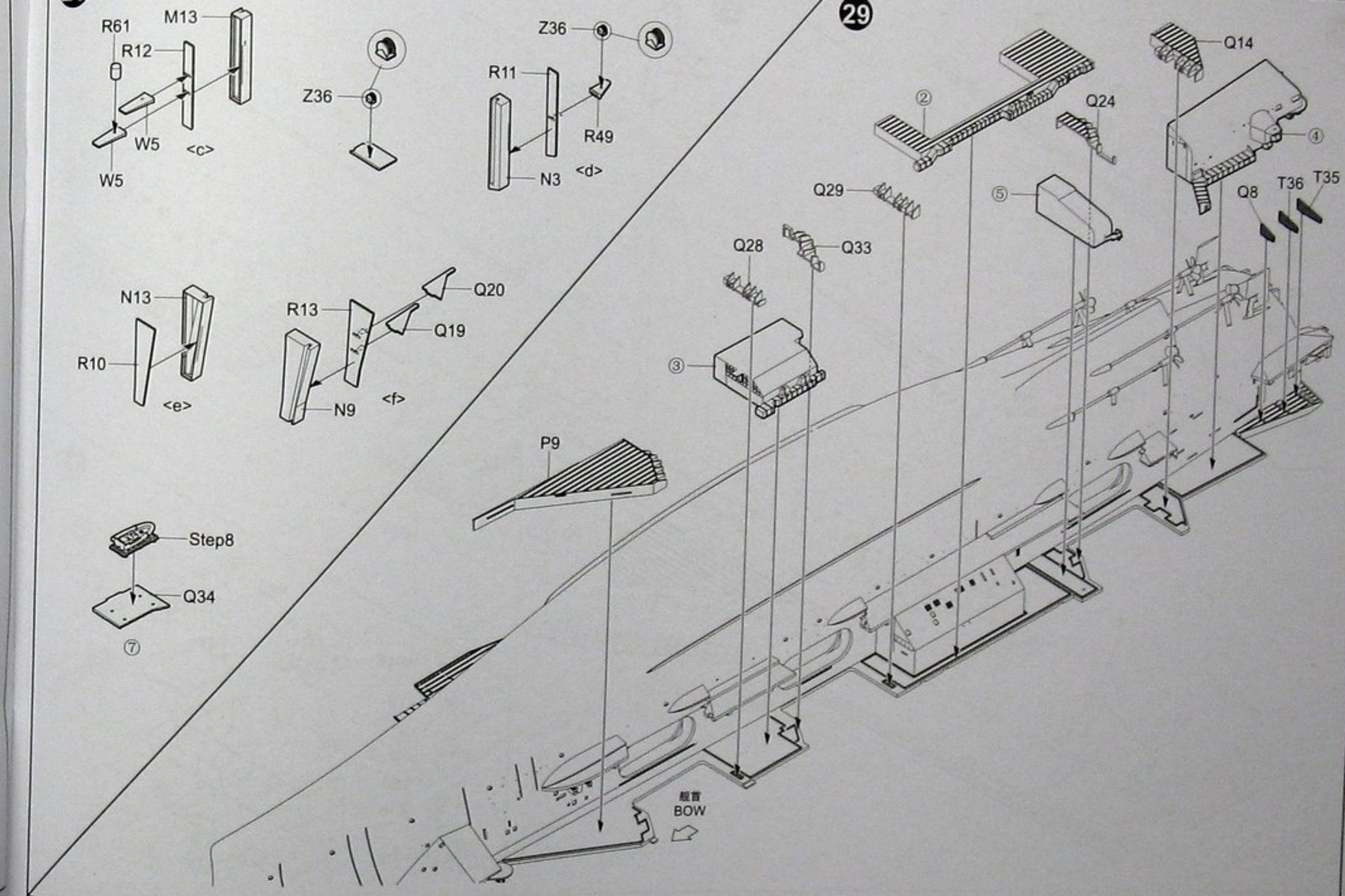
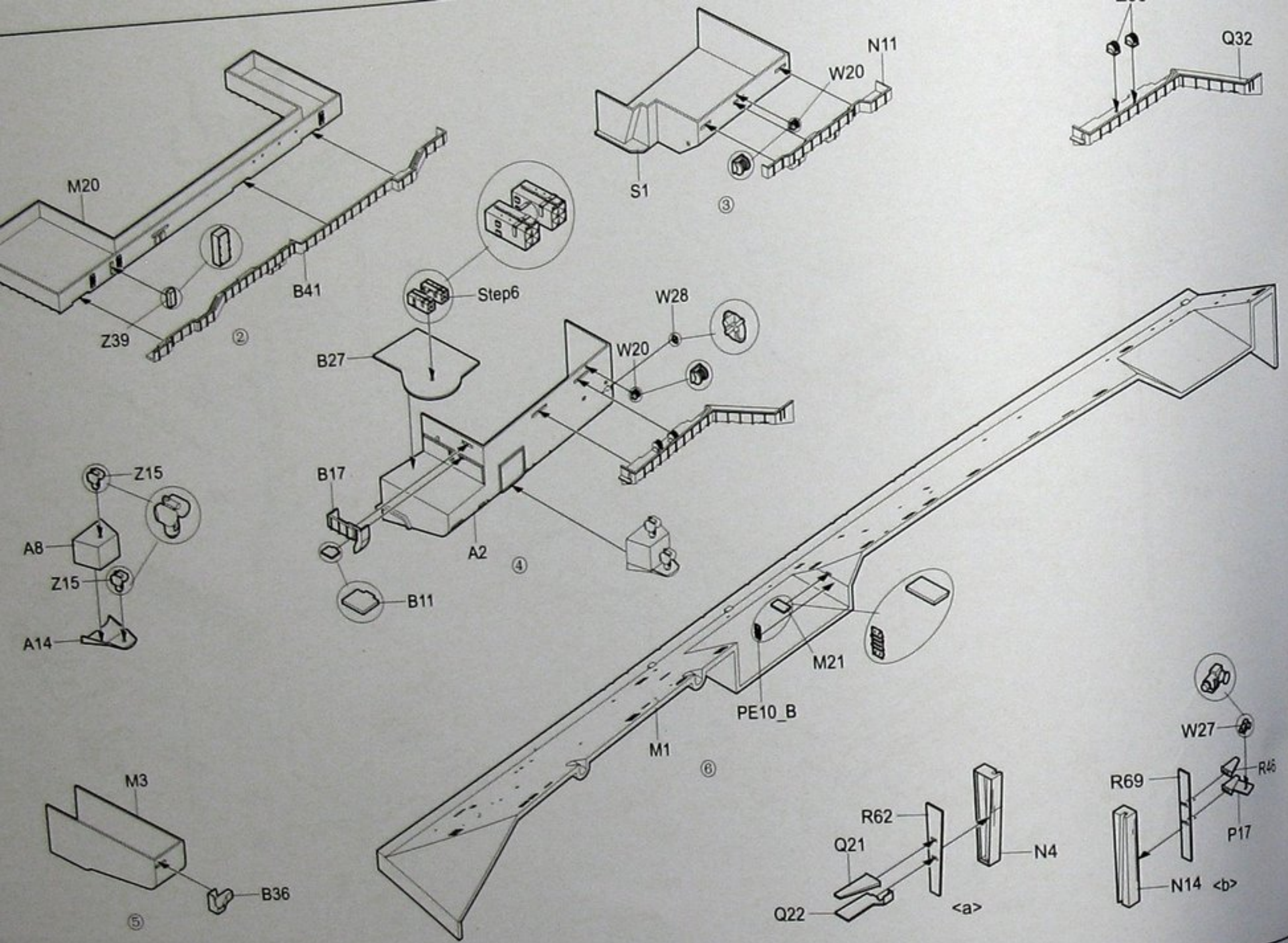


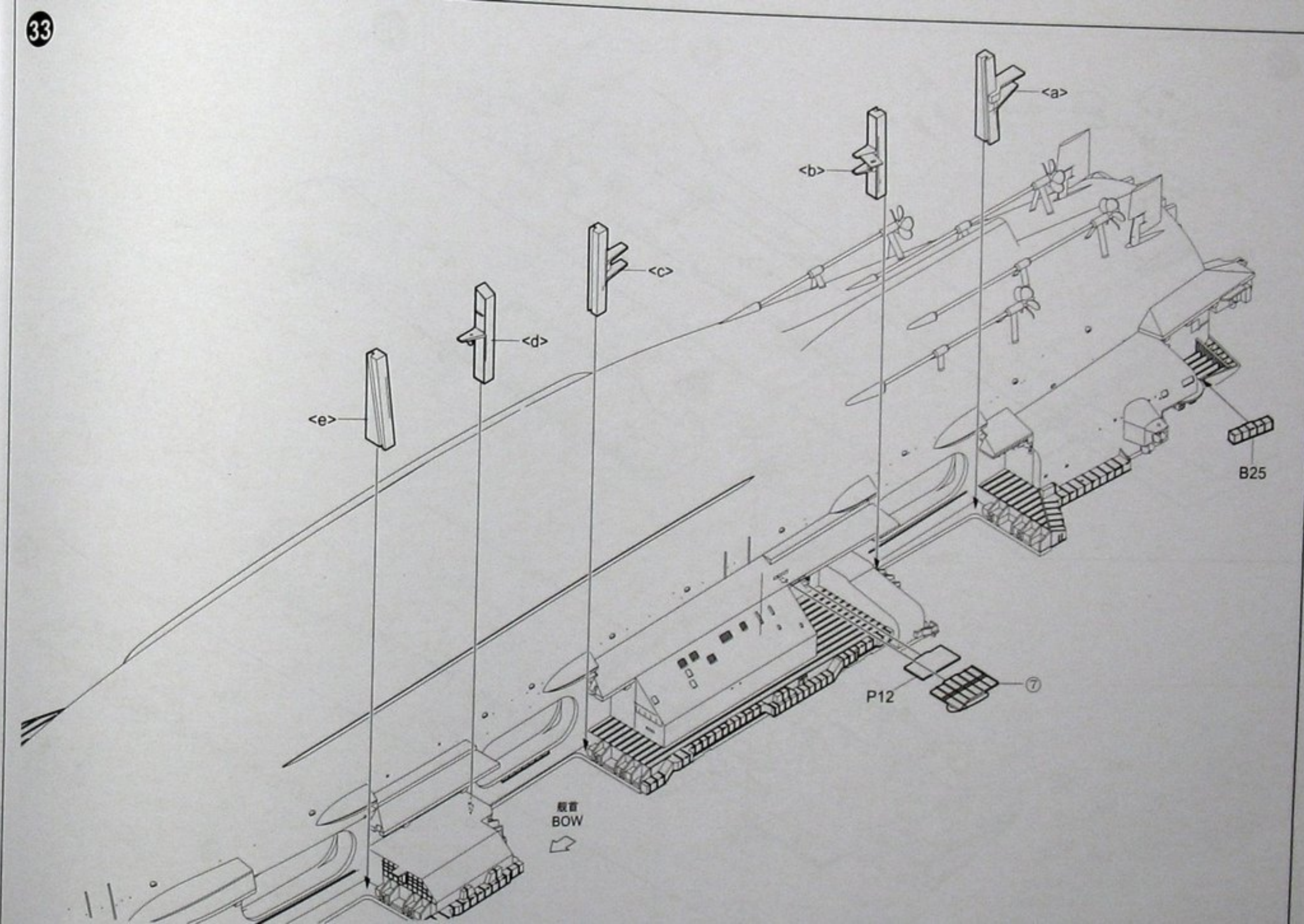
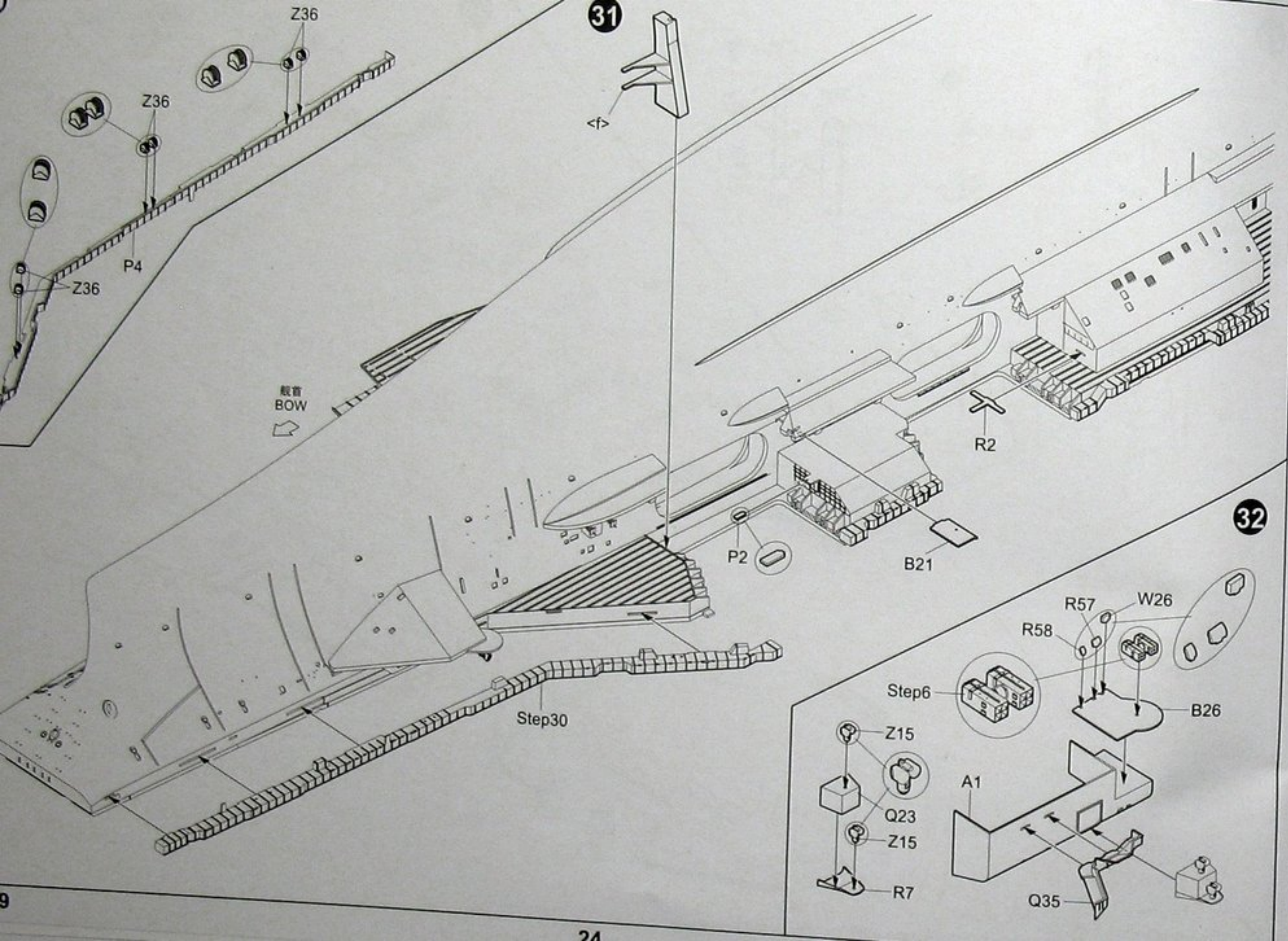
Z16
Z25
①
制作两件
Make two

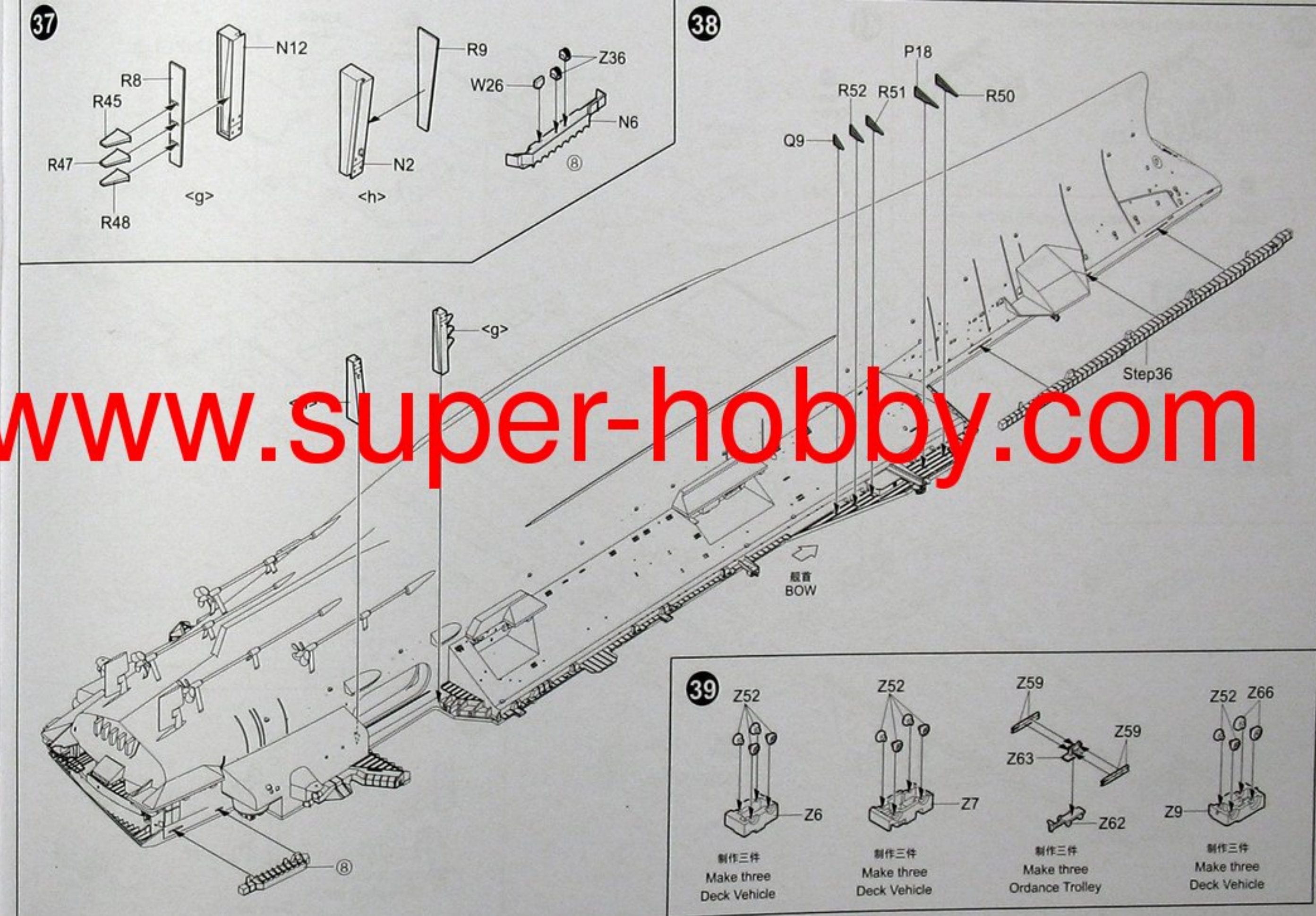
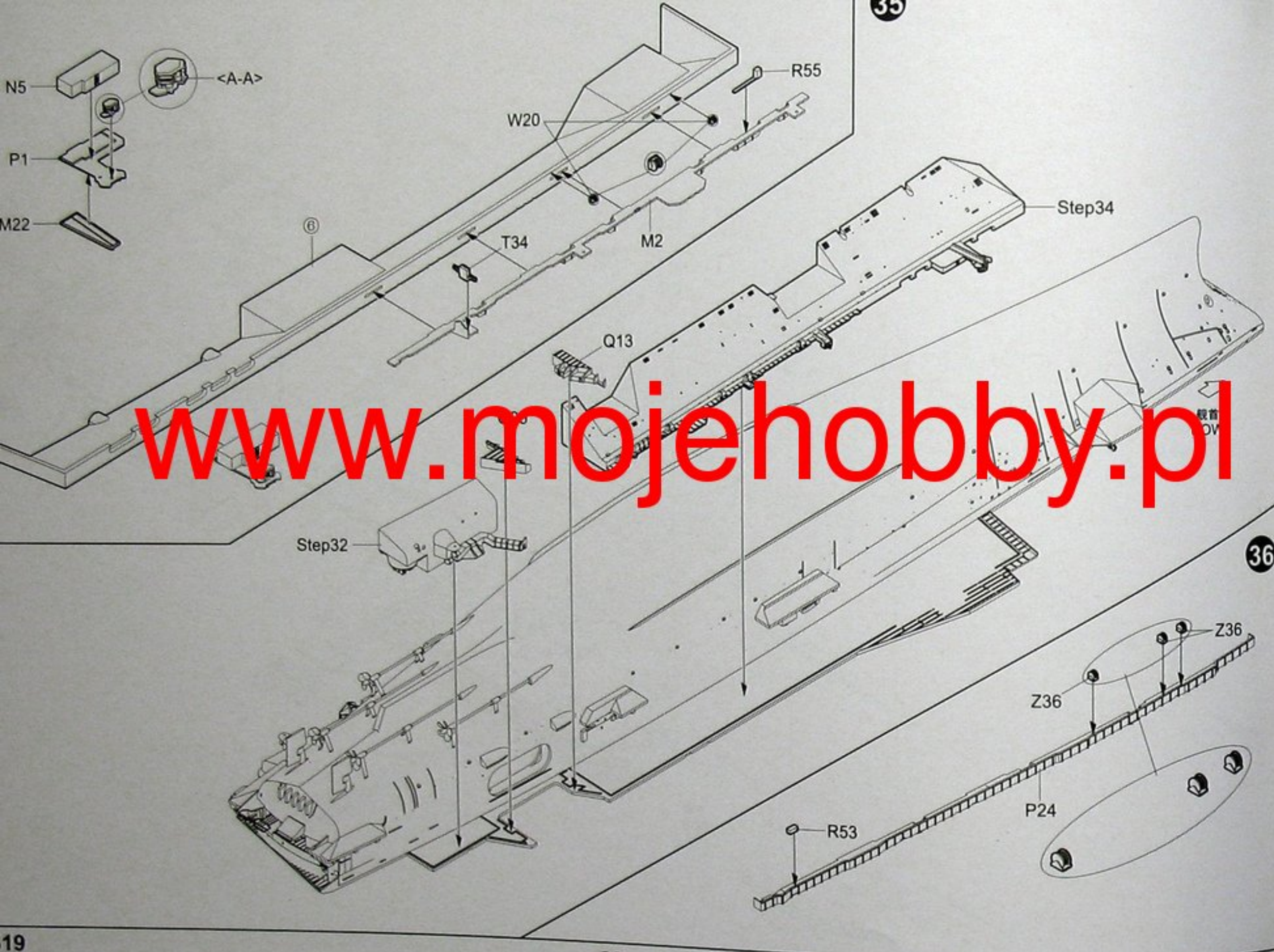
T6
T13
Z60
R74
R42
P3
R72
W40
R33



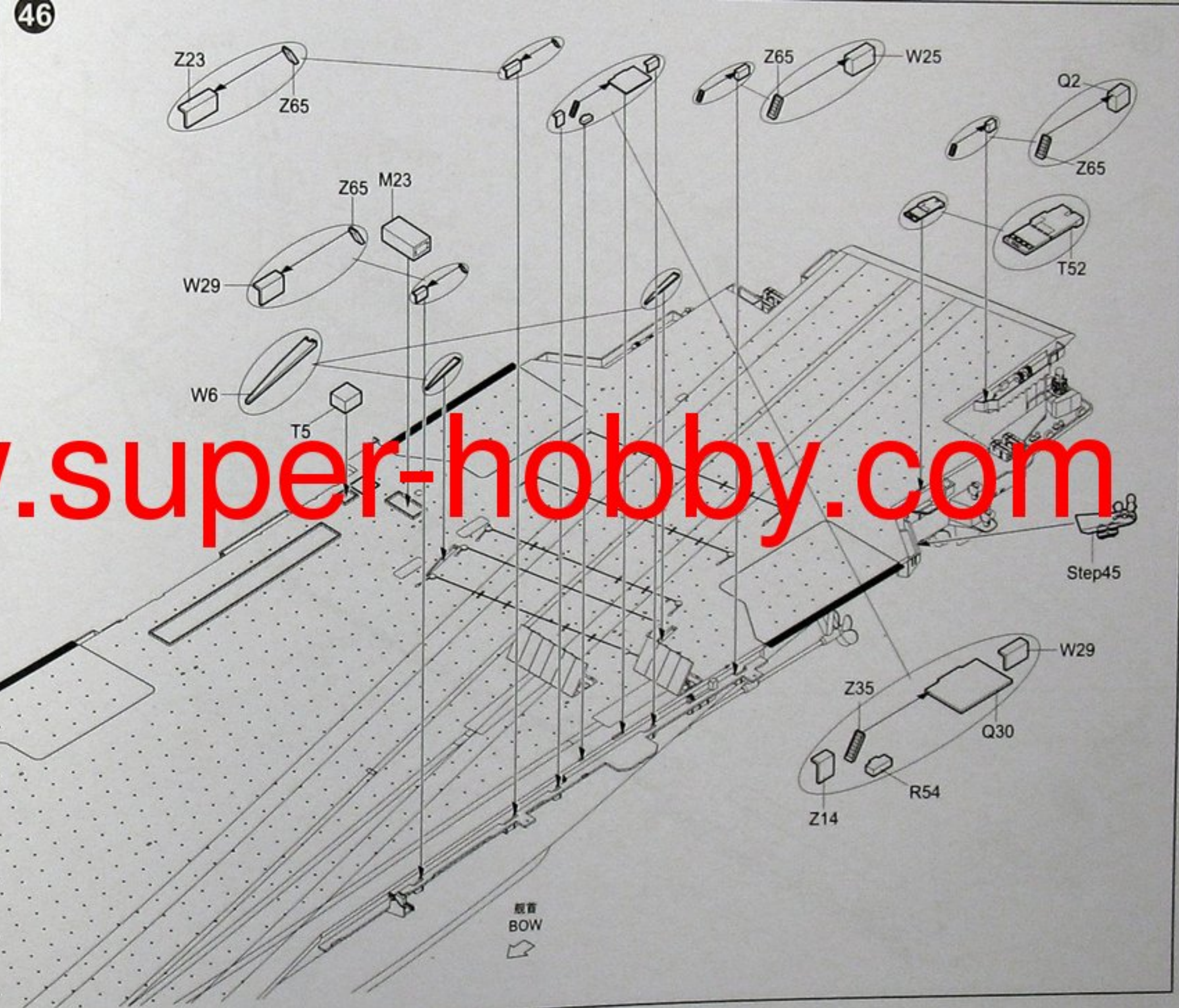
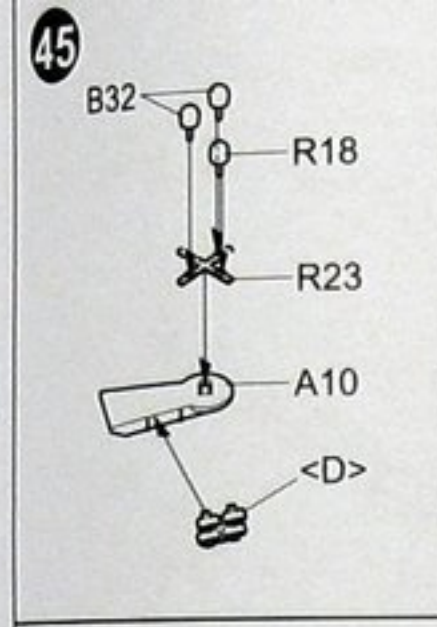
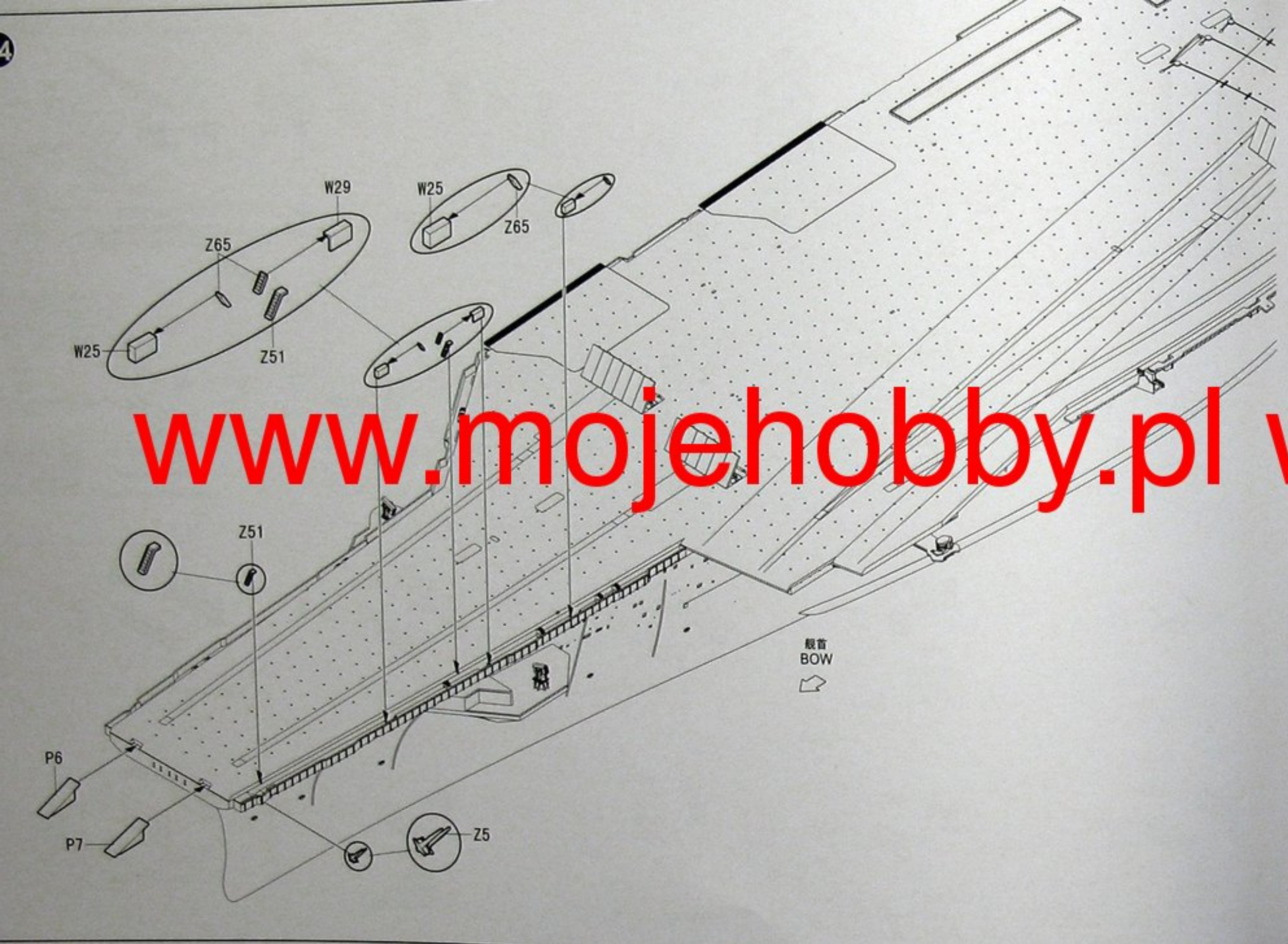




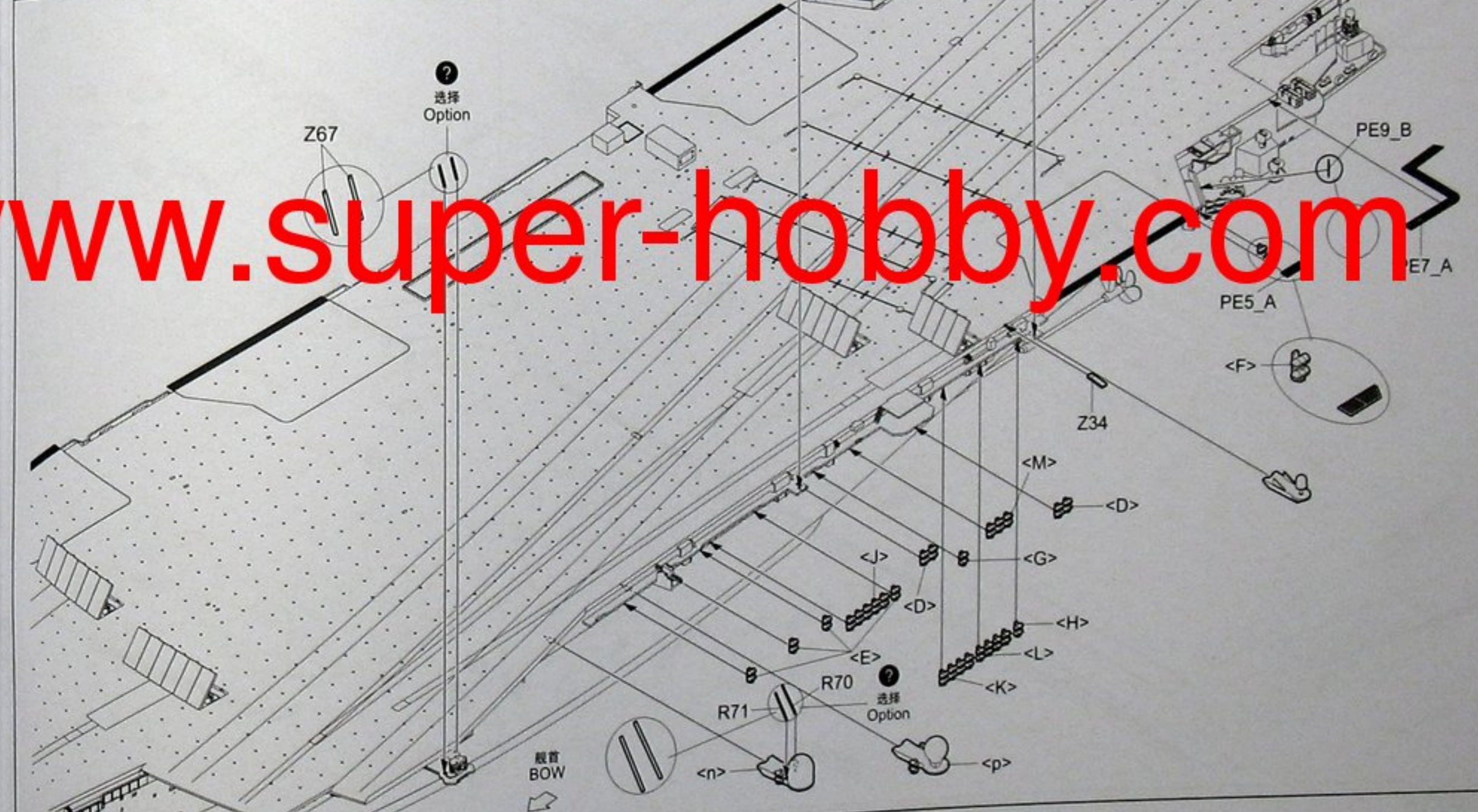
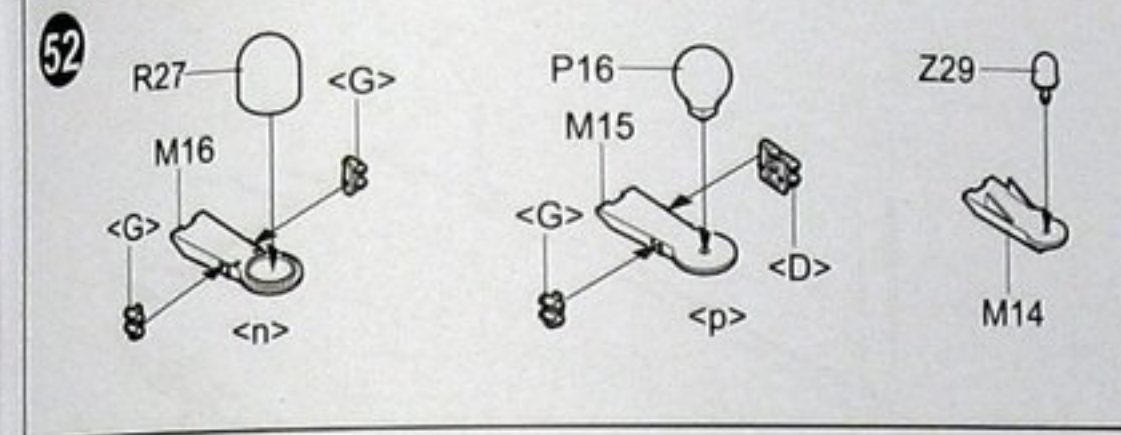
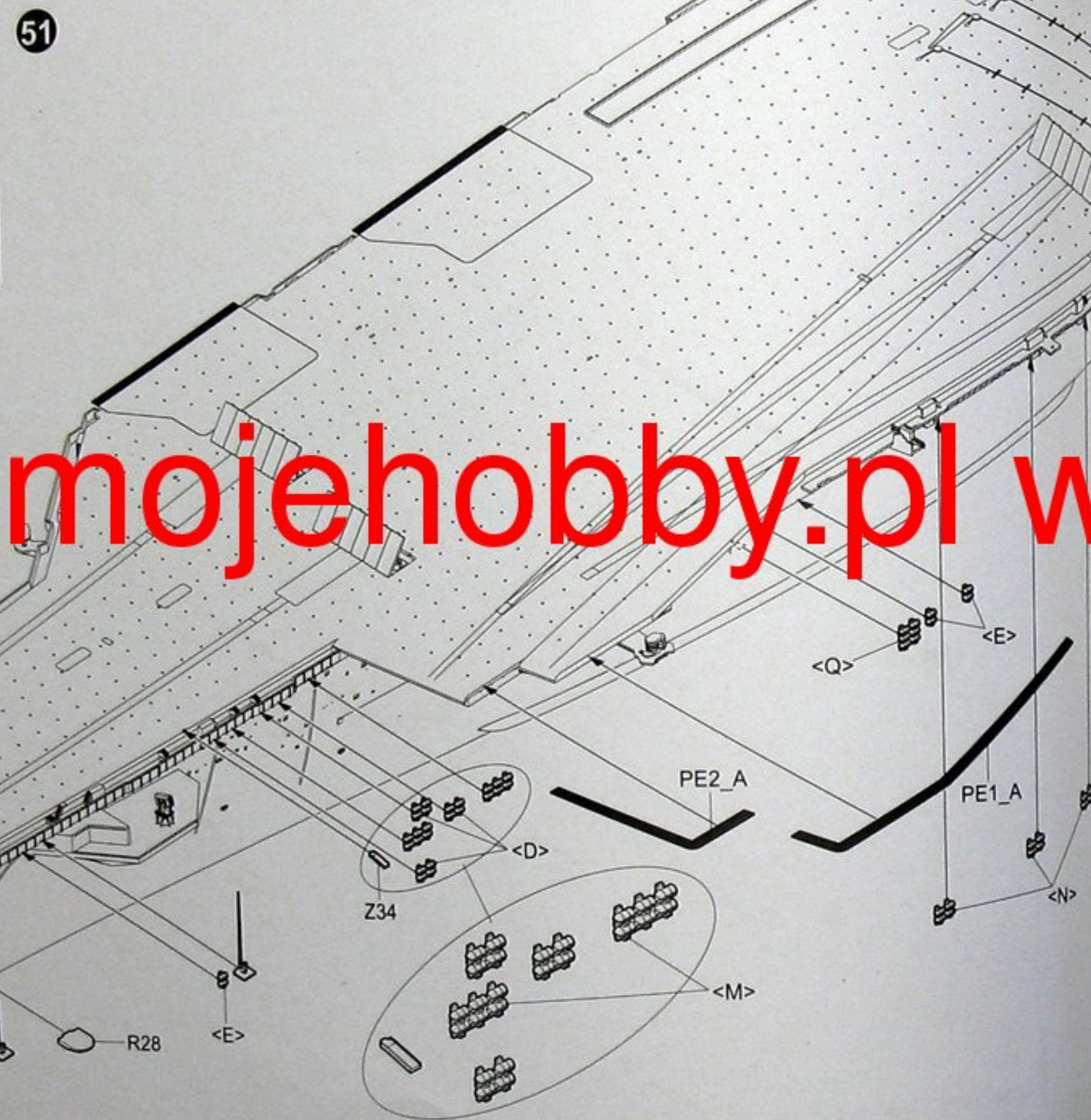
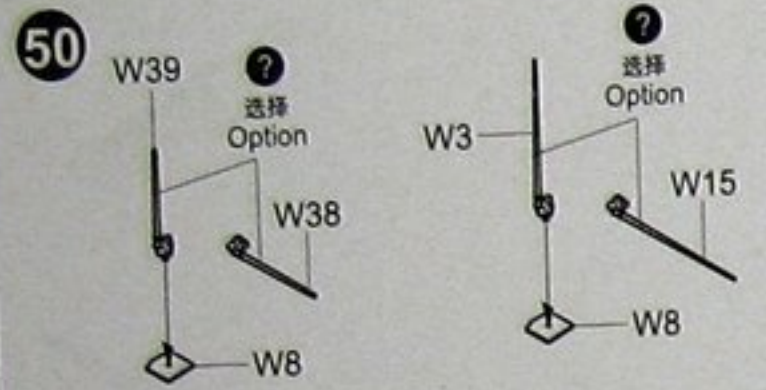




www.mojehobby.pl www.super-hobby.com

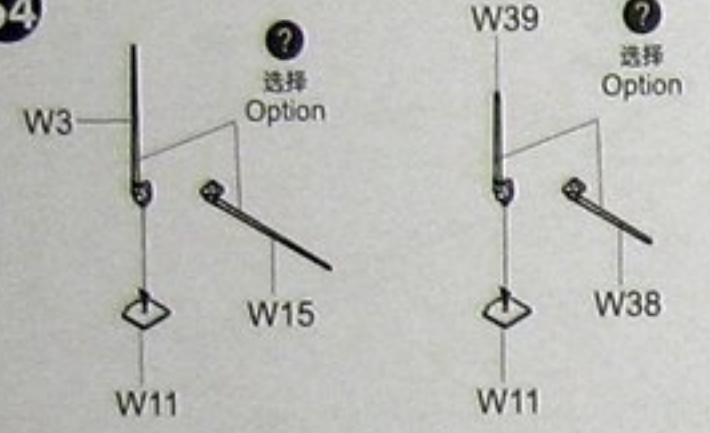


www.mojehobby.pl www.super-hobby.com

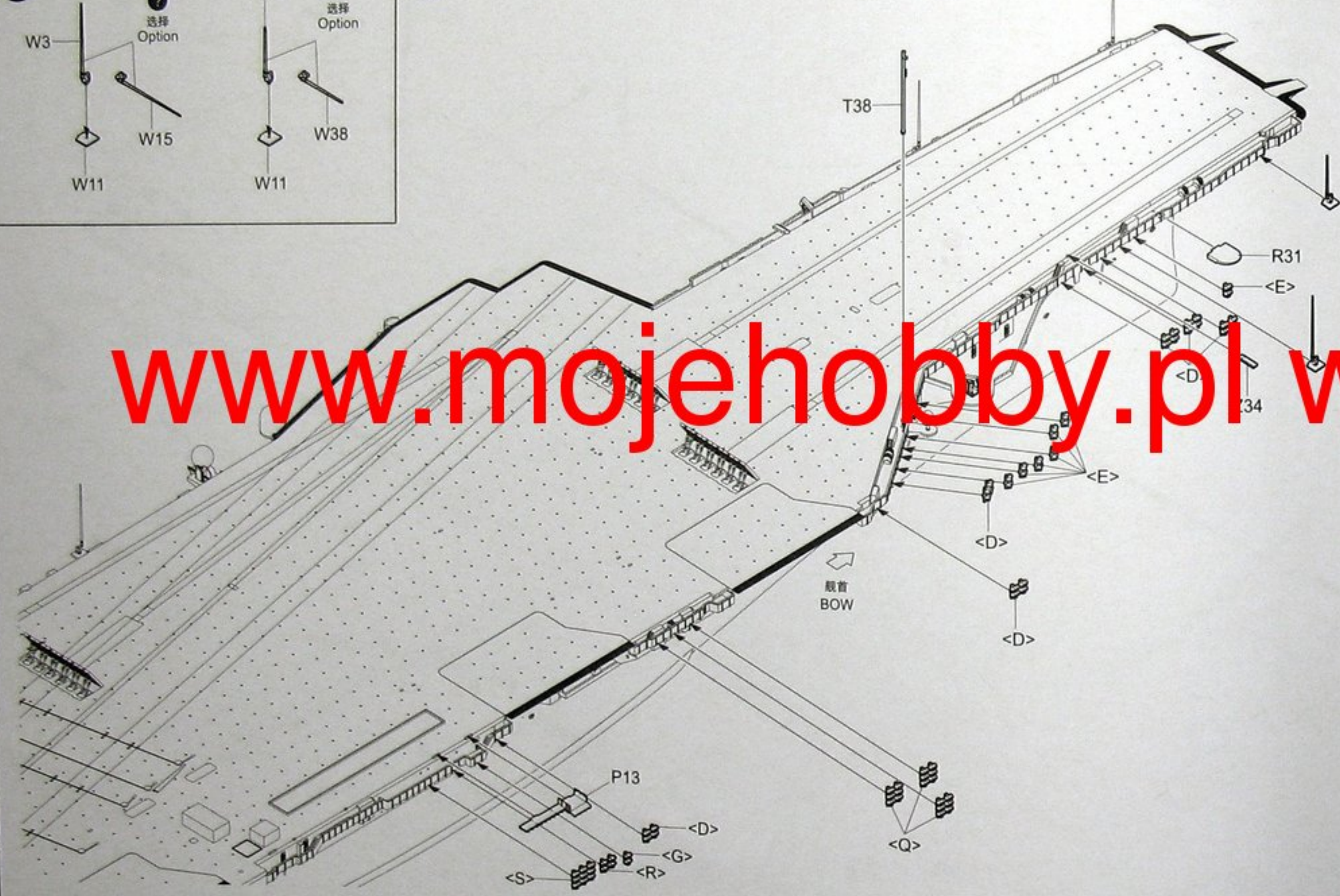


www.mojehobby.pl www.super-hobby.com

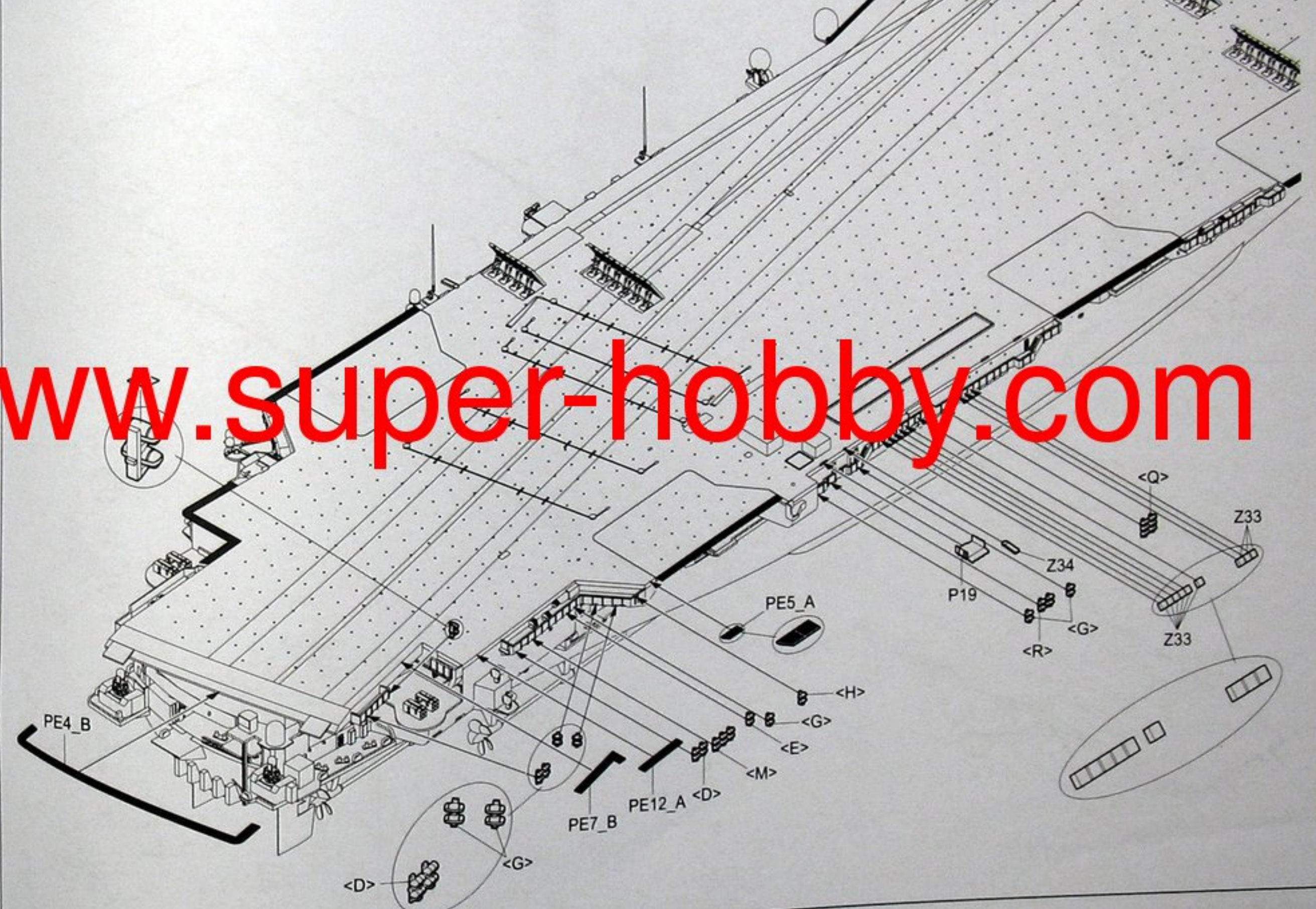
54



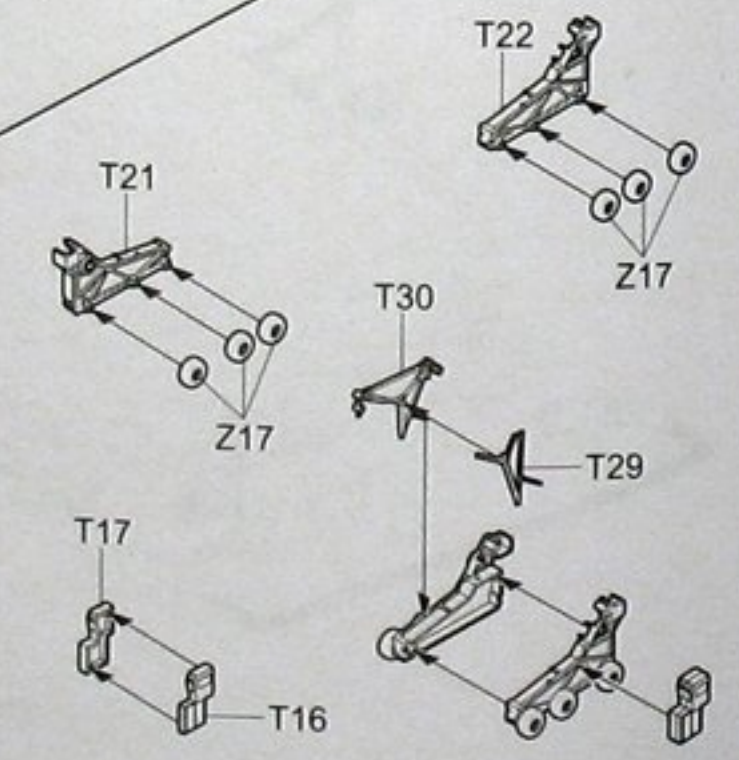
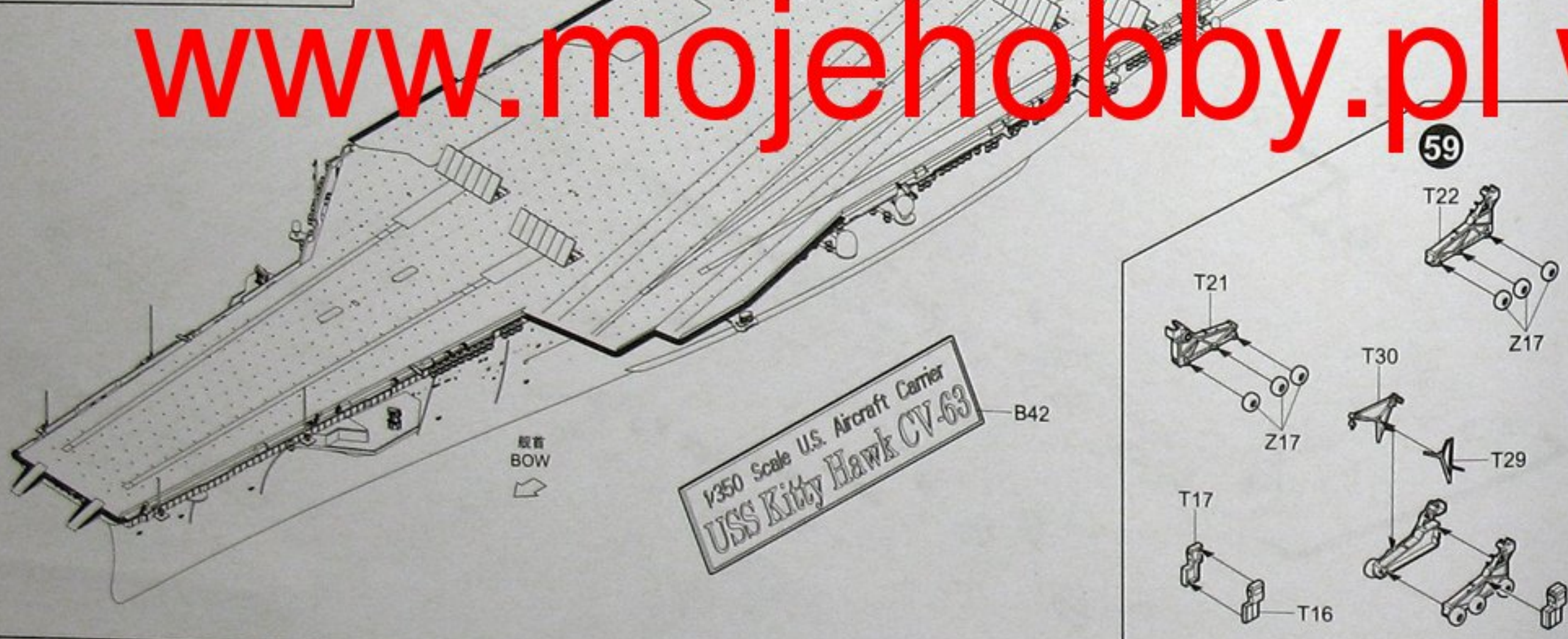
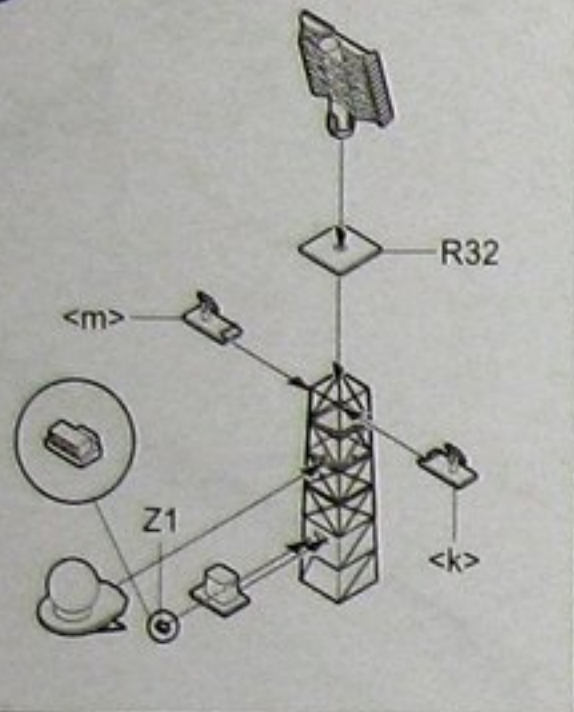
55



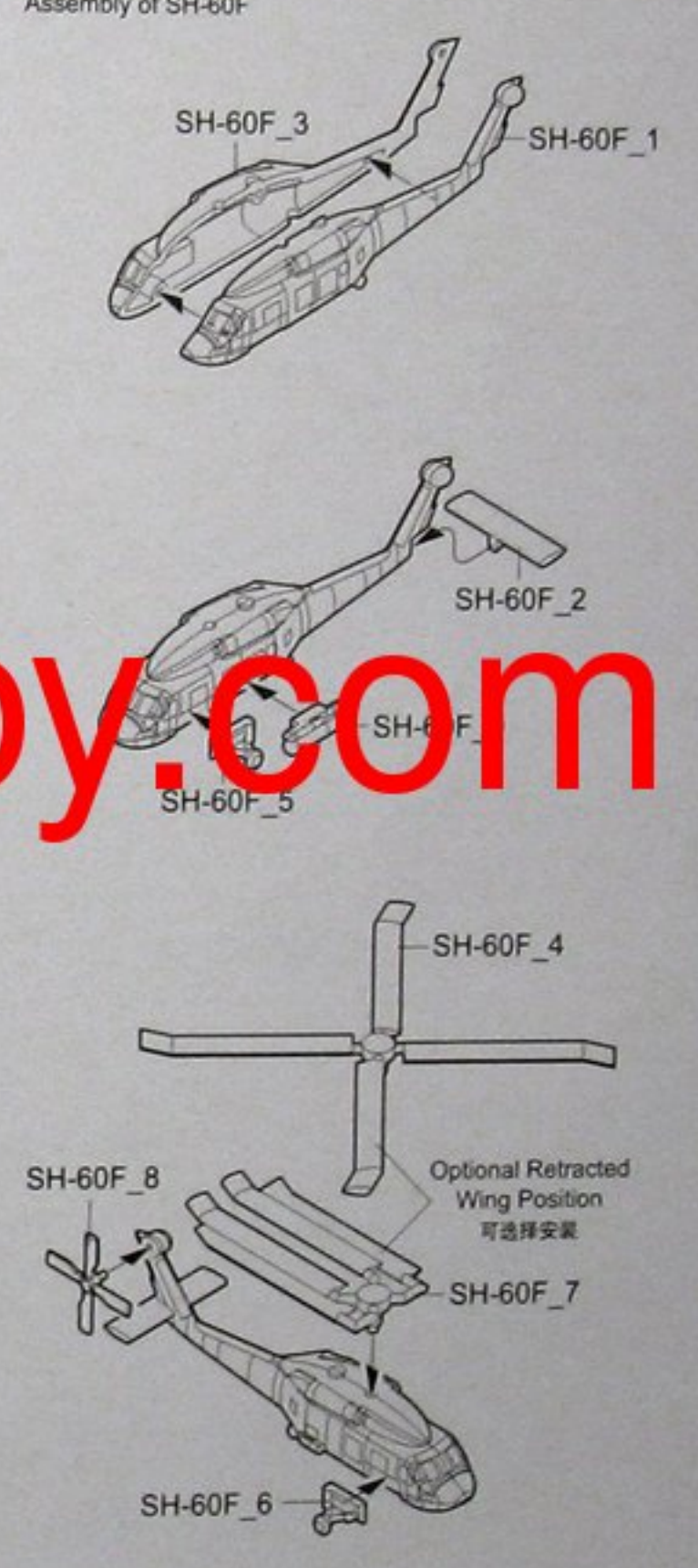
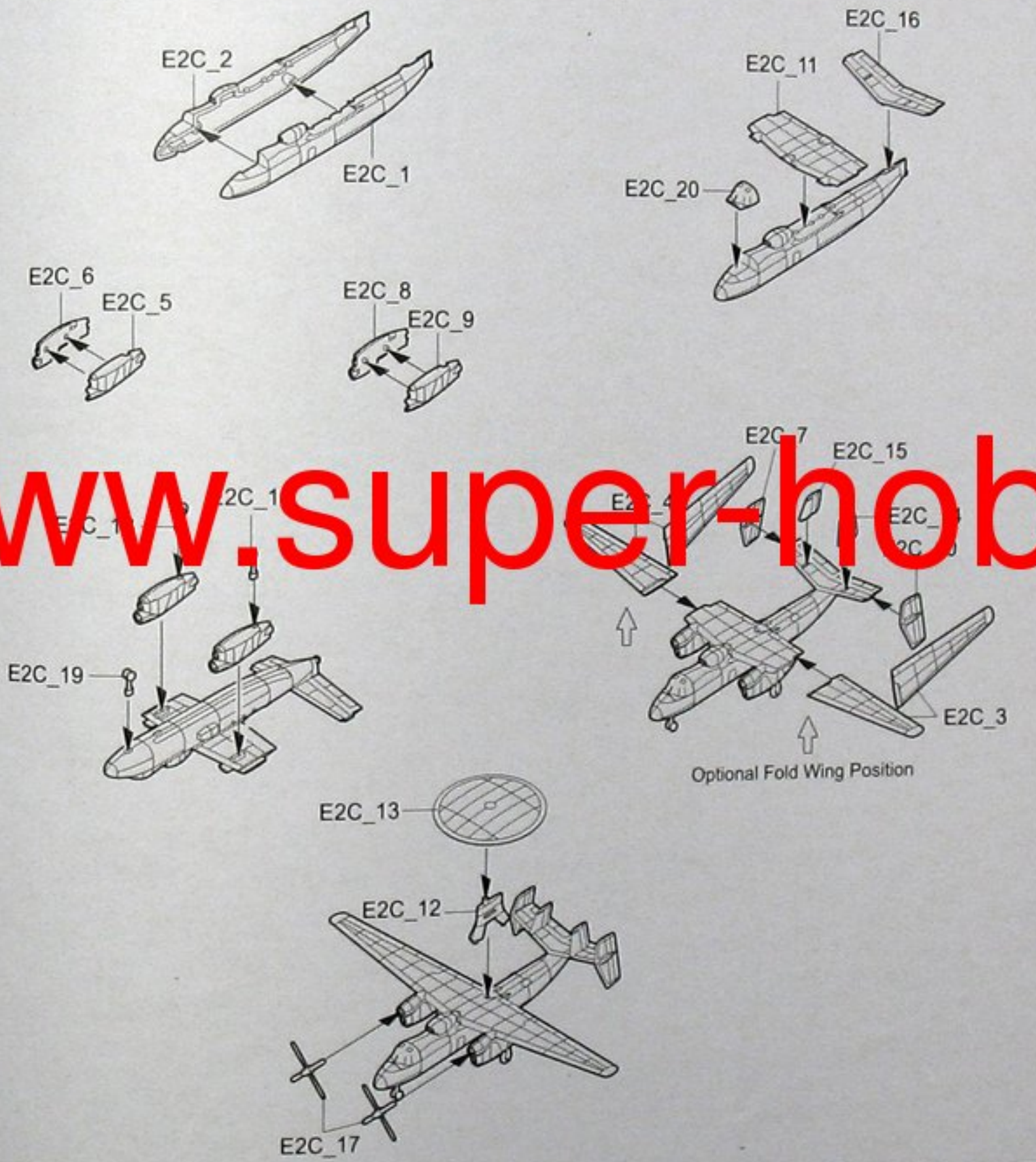
56



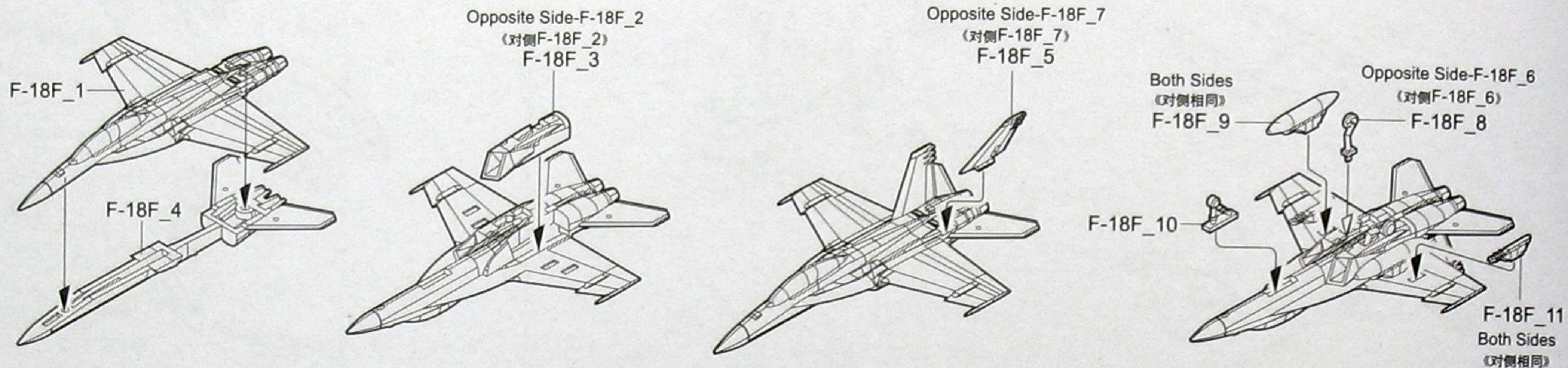
www.moje hobby.pl www.super-hobby.com



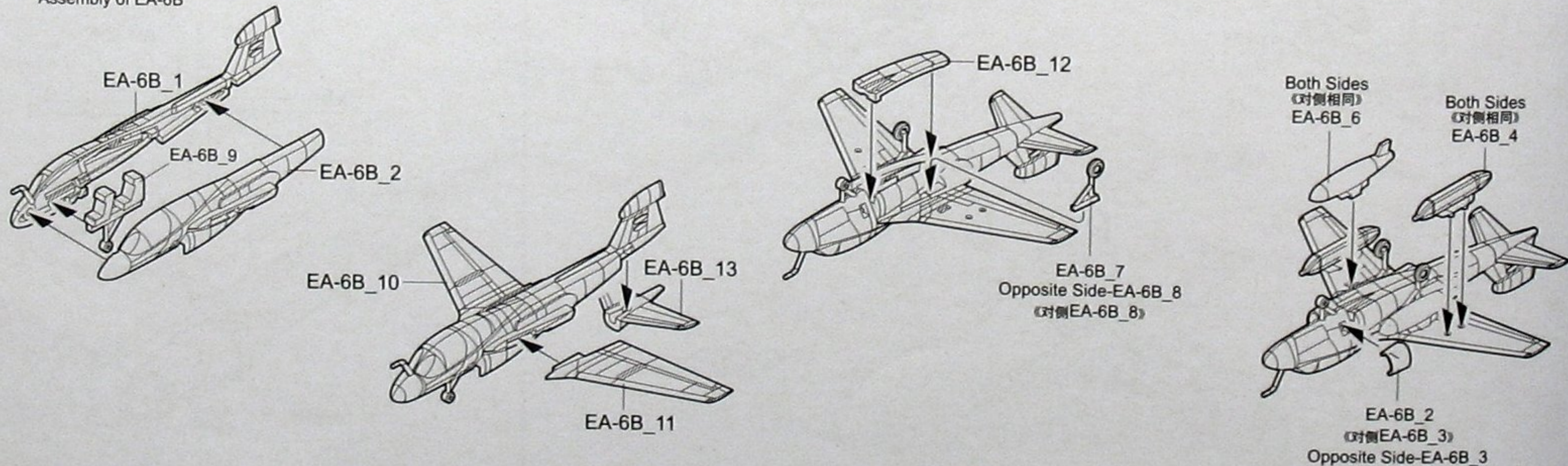
Bomb Loader



www.mojehobby.pl www.super-hobby.com



www.moje hobby.pl www.super-hobby.com



涂装同标贴指示
Painting & Marking guide

A

PAINT REFERENCE COLOUR					
Color	Mr.Hobby	Vallejo	Model Master	Tamiya	Humbrol
Navy gray 海军灰	H 61 35	907	1731	-	146
Hull red 舰底色	H 17 29	985	-	XF9	177
Flat black 消光黑	H 12 33	950	1749	XF1	33
Gold 金色	H 9 9	878	1744	X12	16
Yellow 黄色	H 4 4	953	1514	X8	69
Off white 淡白色	H 21 69	918	2709	-	-



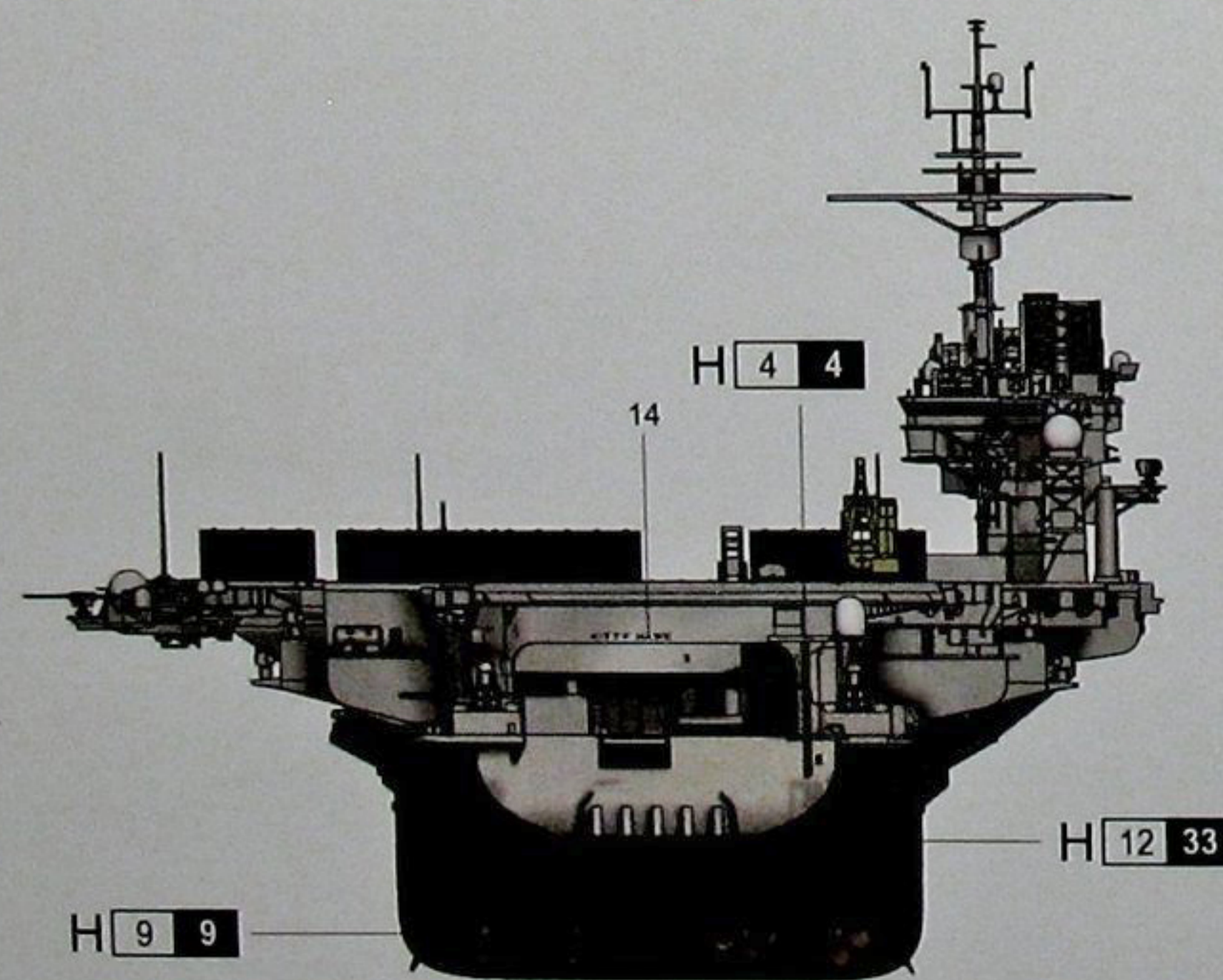
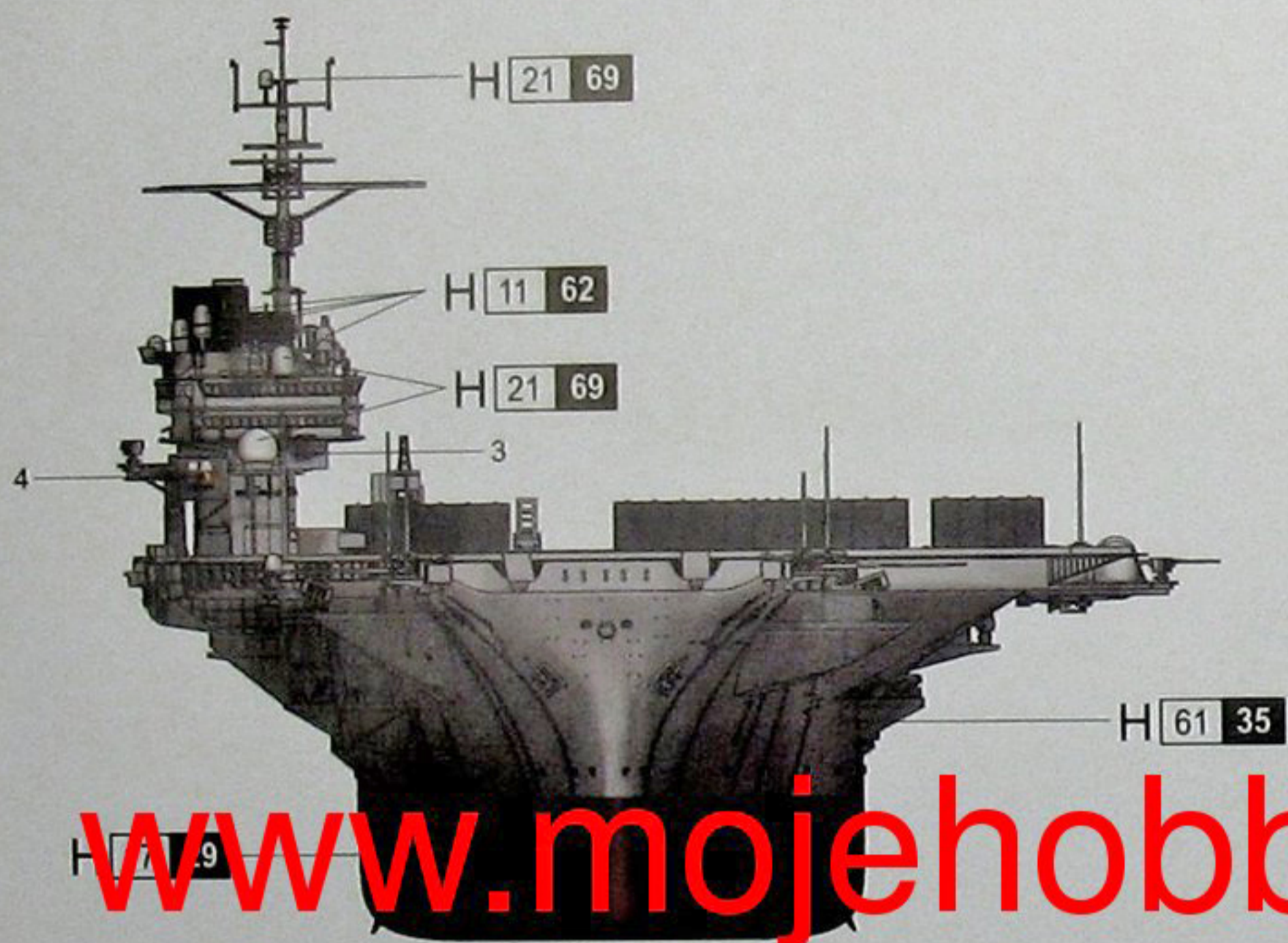
www.mojehobby.pl www.super-hobby.com

H☒ AQUEOUS HOBBY COLOR ☒ Mr. COLOR

05619 1/350 USS Kitty Hawk CV-63 Ⓐ

涂装同标贴指示
Painting & Marking guide

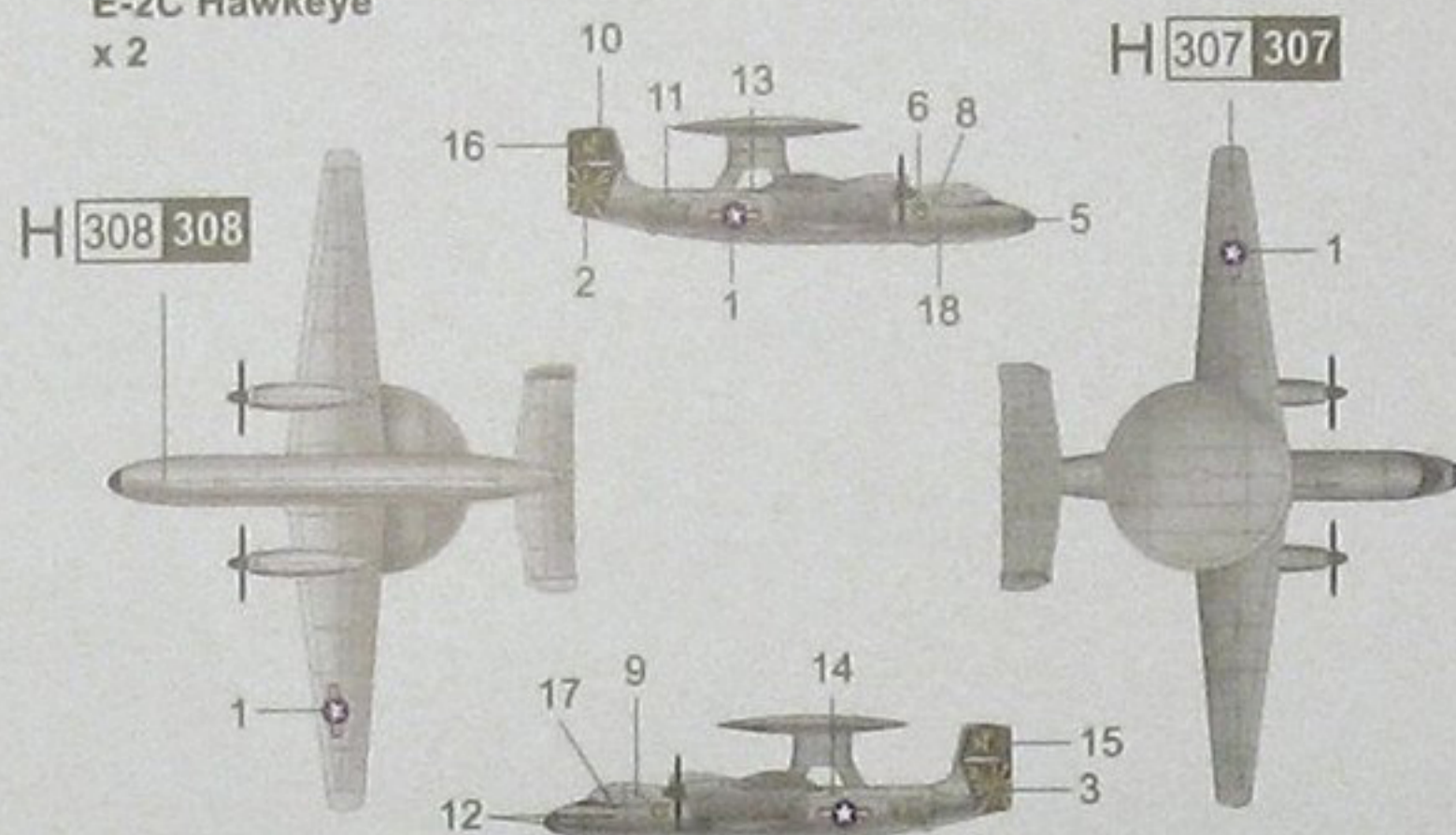
B



H AQUEOUS HOBBY COLOR Mr. COLOR

05619 1/350 USS Kitty Hawk CV-63 ©

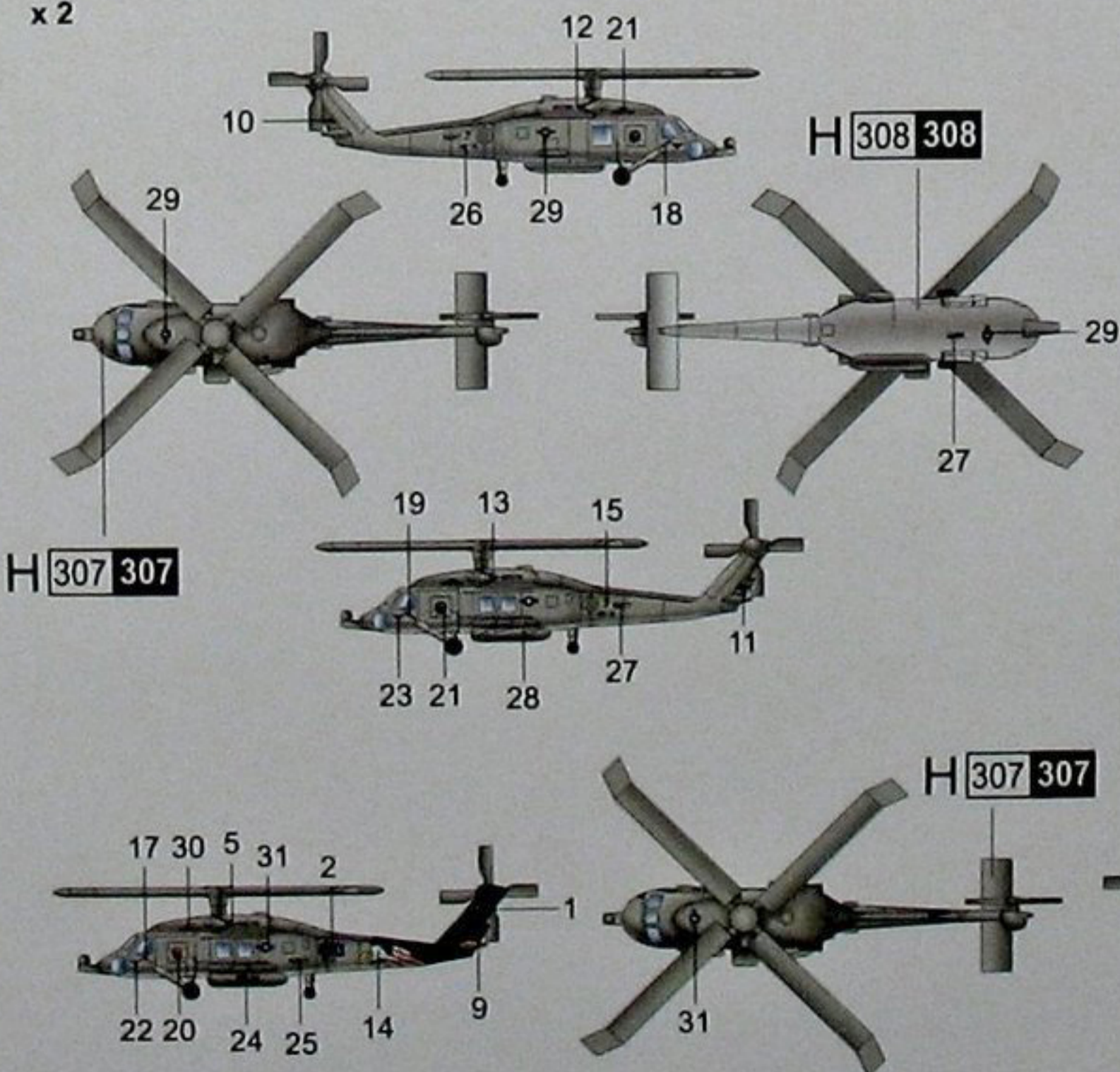
E-2C Hawkeye
x 2



EA-6B Prowler
x 5

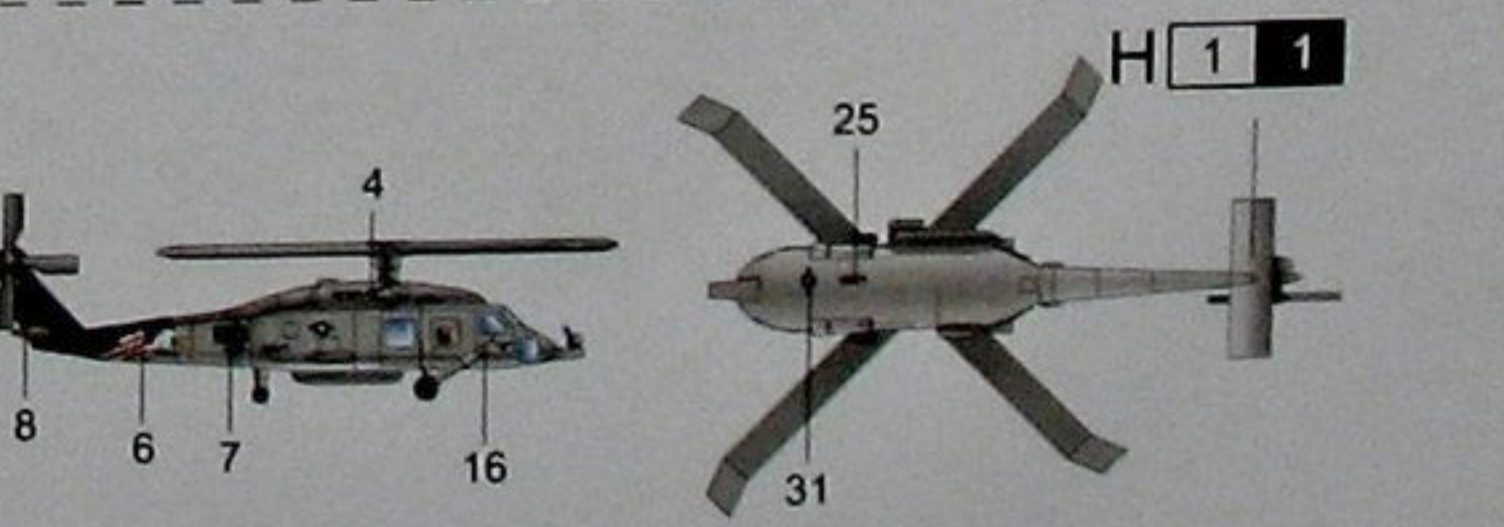
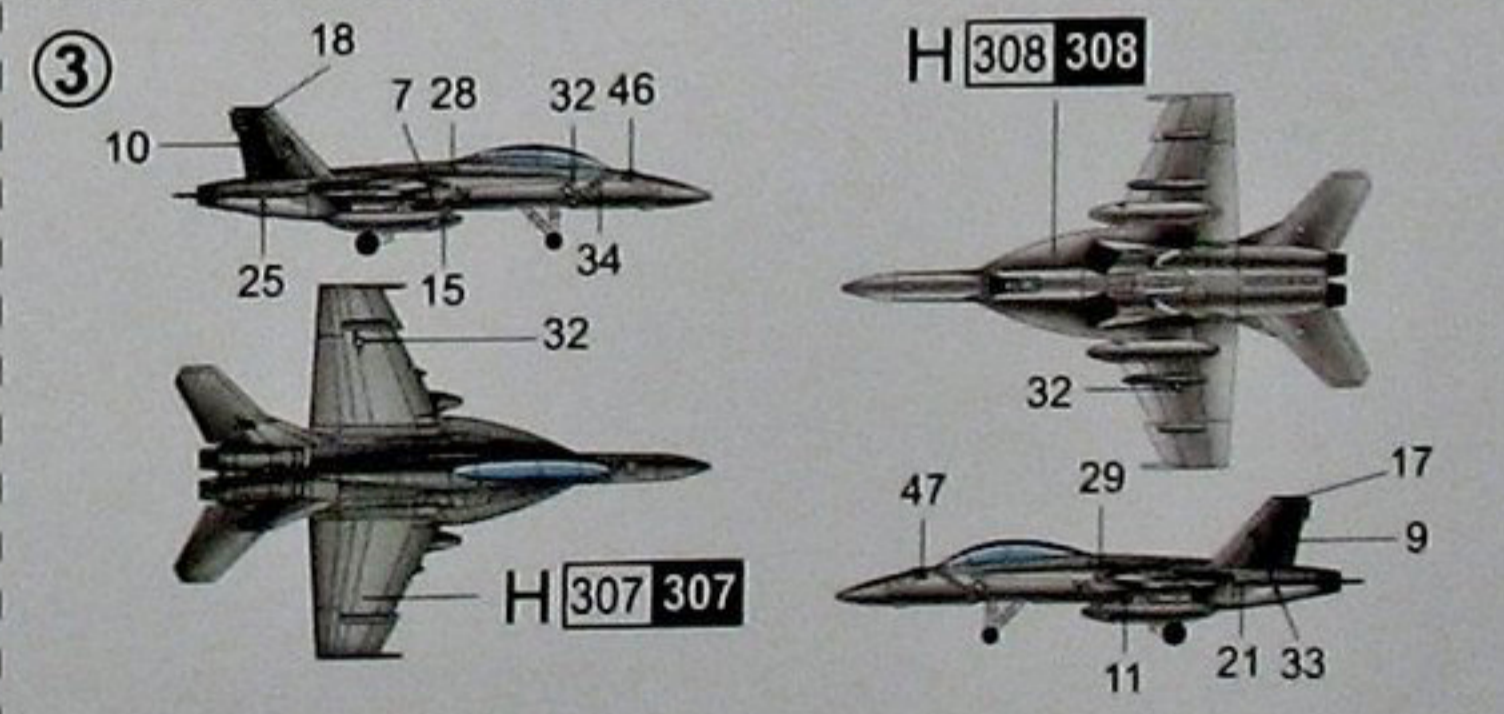
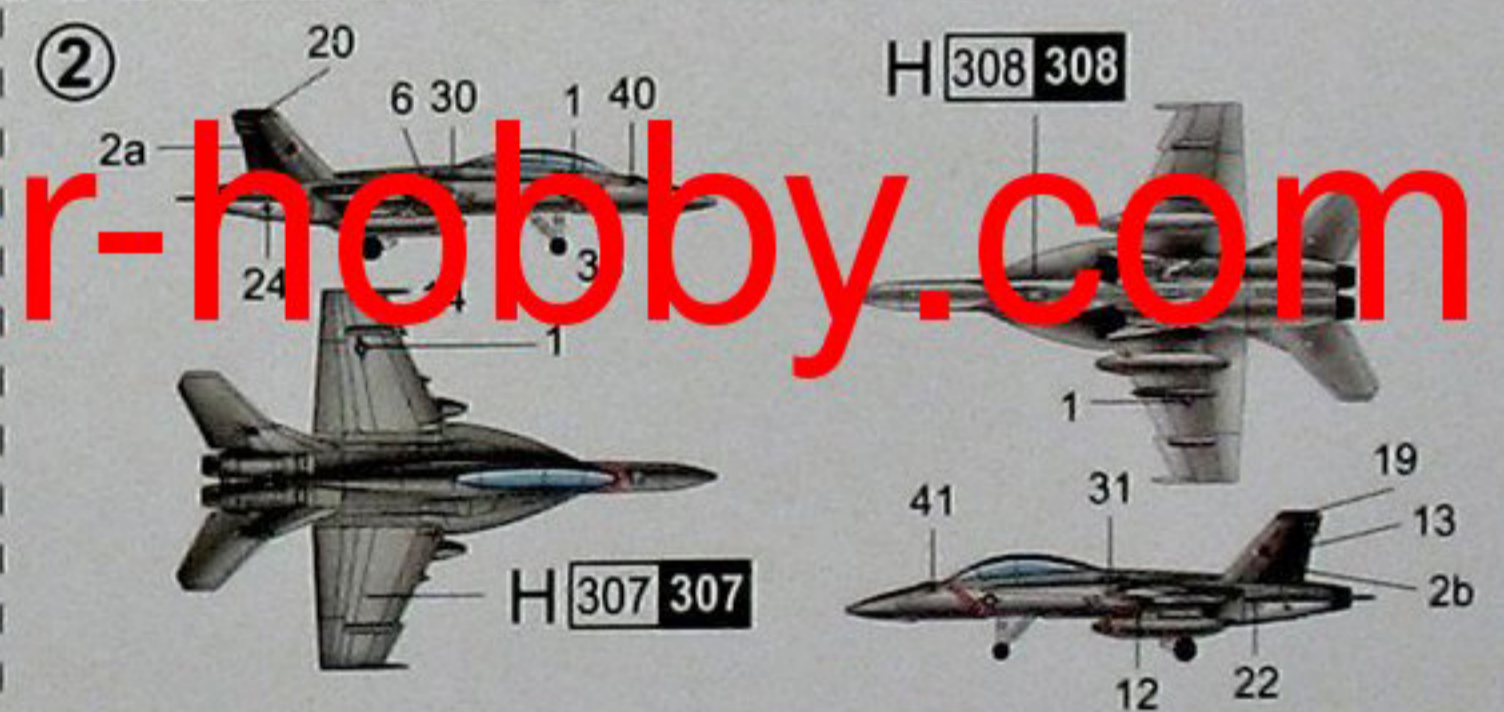
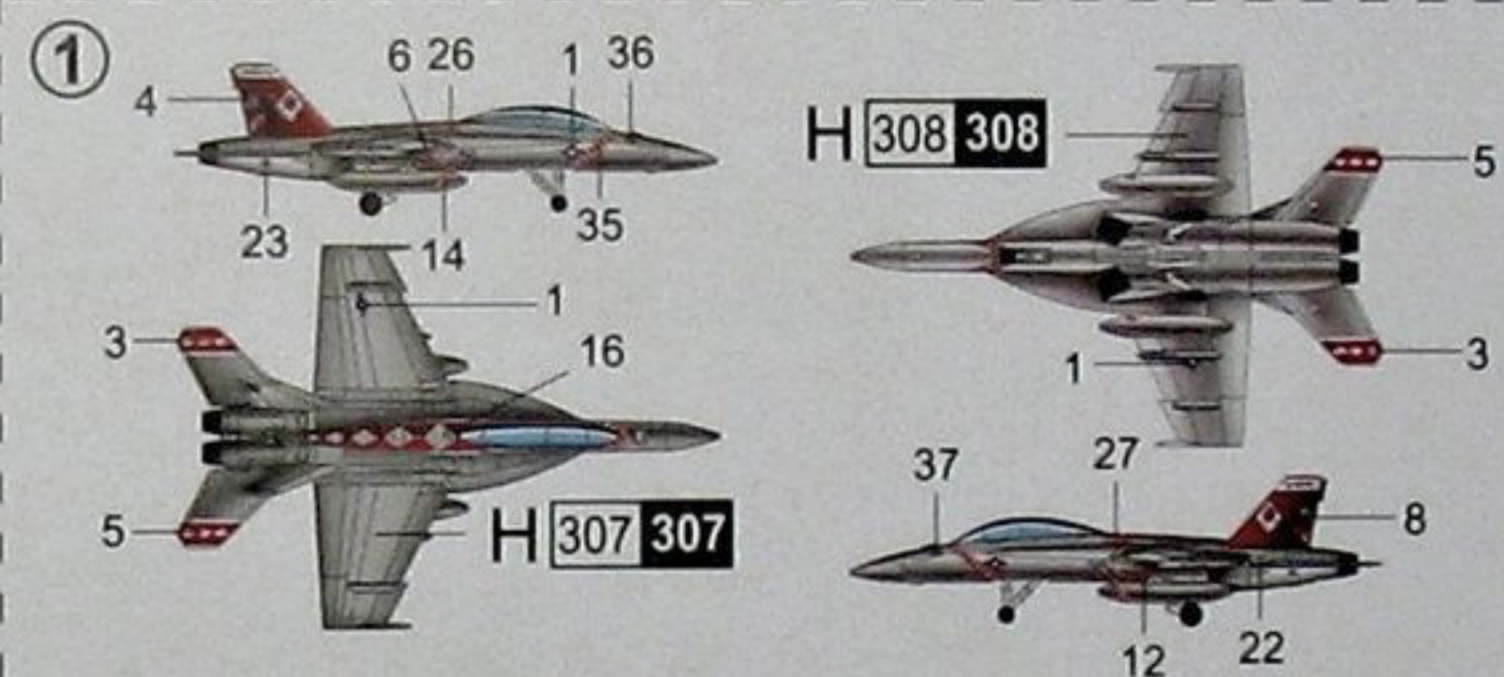


HH-60H Rescue Hawk
x 2



PAINT REFERENCE COLOUR					
Color	Mr.Hobby	Vallejo	Model Master	Tamiya	Humbrol
Navy gray 海军灰	H 61 35	907	1731	-	146
Hull red 舰底色	H 17 29	985	-	XF9	177
Flat black 消光黑	H 12 33	950	1749	XF1	33
Dark compass ghost grey 灰色	H 307 307	-	1741	XF22	128
Gray 灰色	H 308 308	990	1728	XF19	127
Flat white 白(哑光)	H 11 62	951	1768	XF2	34
White 白	H 1 1	842	1745	XF2	22

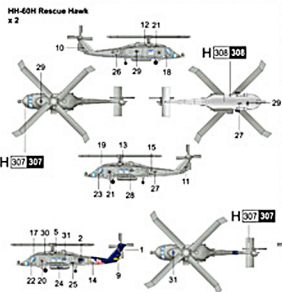
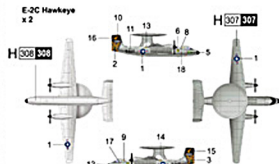
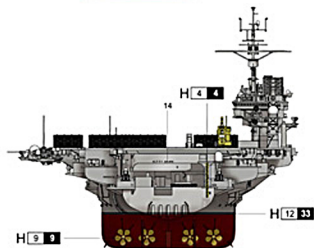
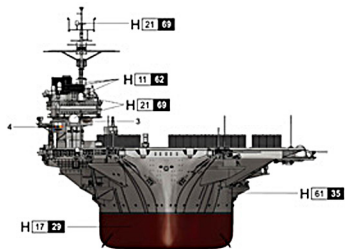
F/A-18C Super Hornet
x 12



www.moje hobby.pl www.super-hobby.com

涂装同标贴指示
Painting & Marking guide

B

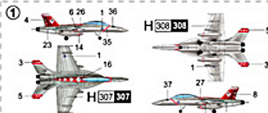


PAINT REFERENCE COLOUR

Color	Mr.Hobby	Vallejo	Model Master	Tamiya	Humbrol
Flat grey 平灰	H 61 35	907	1731	-	146
Flat red 平红	H 17 28	965	-	XF9	177
Flat black 平黑	H 12 33	950	1749	XF1	33
Let's use please 请参照色卡	H 307 307	-	1741	XF22	128
Gray 灰	H 308 308	990	1728	XF19	127
Flat white 平白	H 11 43	951	1768	XF2	34
White 白	H 1 1	842	1745	XF2	22

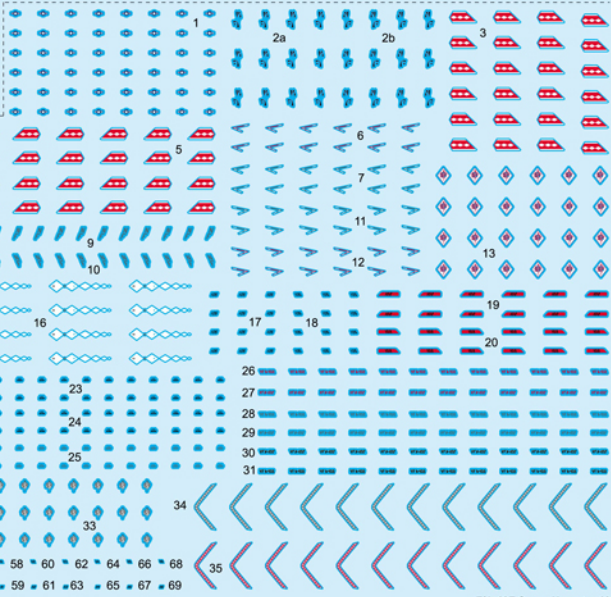
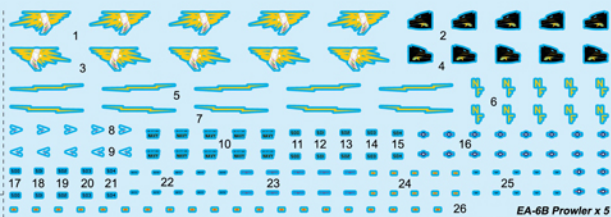
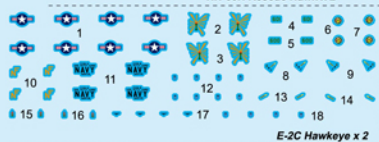
F/A-18C Super Hornet

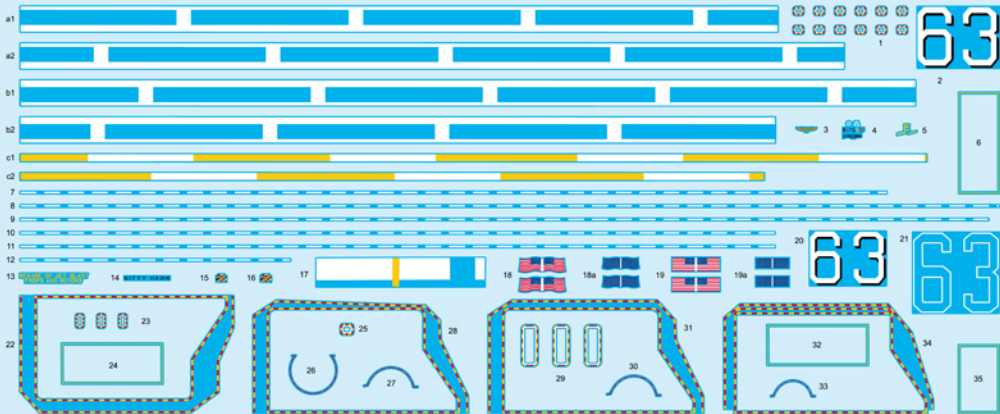
x 12



☒ AQUEOUS HOBBY COLOR ☒ Mr. COLOR

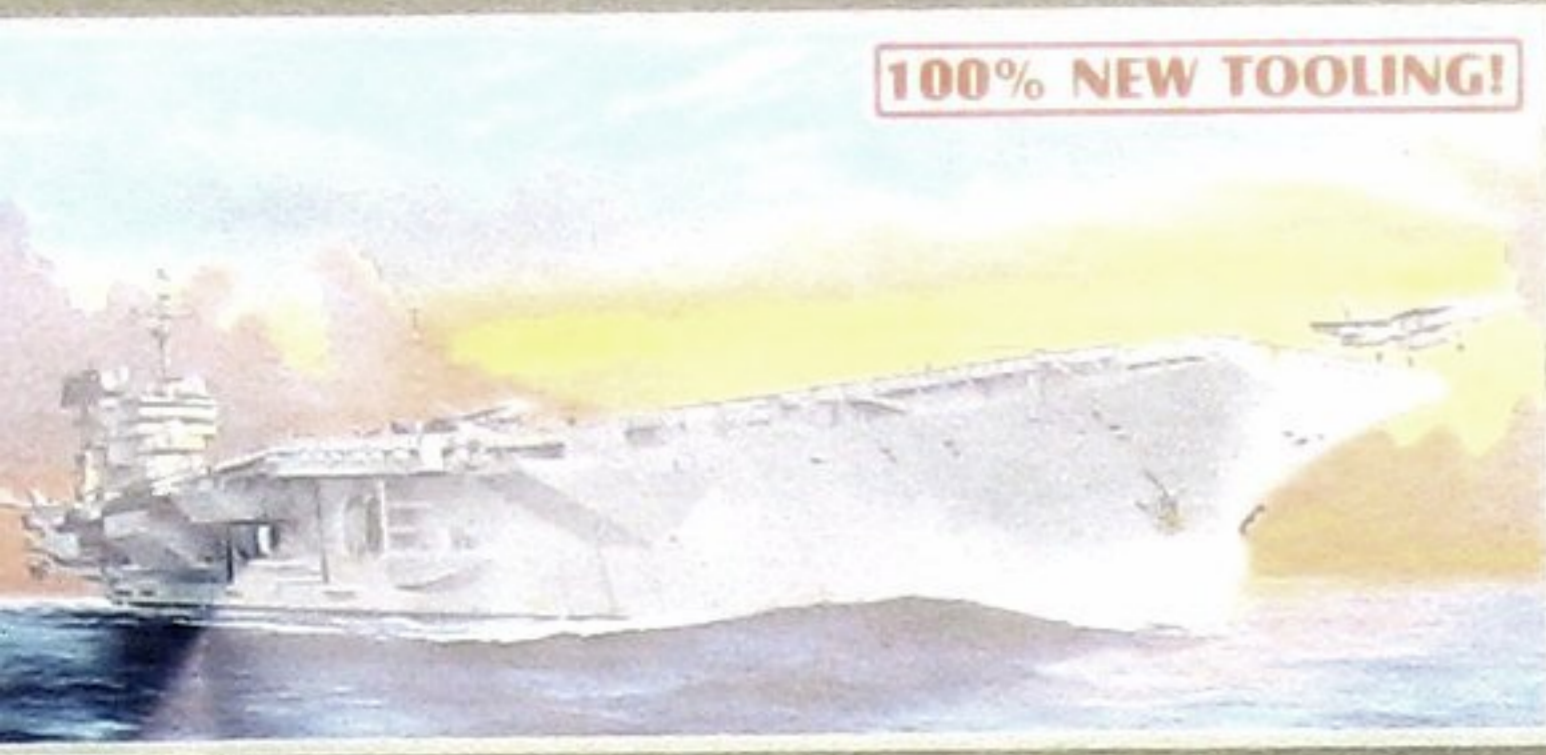
05619 1/350 USS Kitty Hawk CV-63 ©





1/350 scale 05619

USS Kitty Hawk CV-63



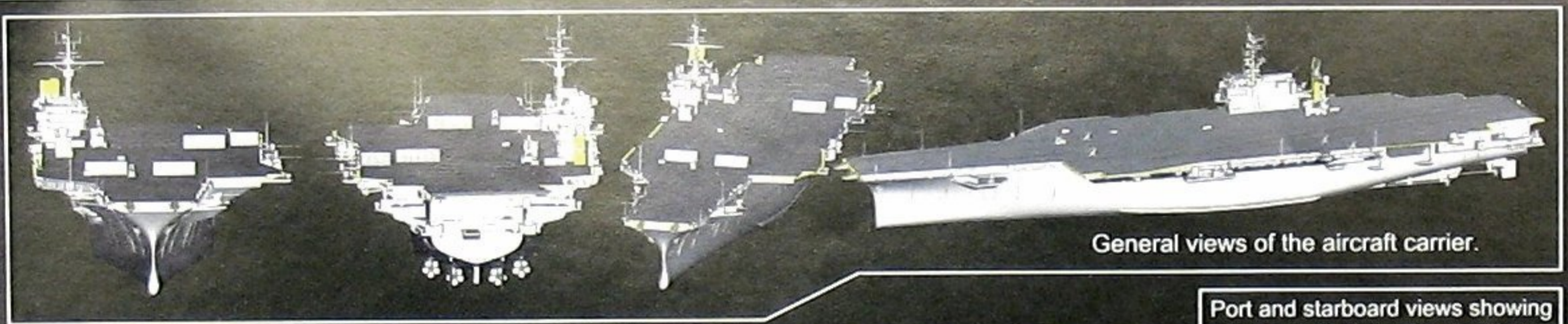
USS KITTY HAWK, lead ship of the Kitty Hawk class of multi-role aircraft carriers, was laid down in December 1956 and constructed by the New York Shipbuilding Corporation at Camden New Jersey. Launched on May 21st 1960 and commissioned at the Philadelphia Naval Shipyard on April 29th 1961. KITTY HAWK was originally designated CVA-63 (Aircraft Carrier, Attack, #63), re-designated CV-63 (non-nuclear) in May 1975.

KITTY HAWK saw action in campaigns ranging from Vietnam to the Gulf Wars. The super-carrier provided a base for air strikes against Iraqi targets in 1992/93, enforcement of Iraqi no-fly zones in 1999, and Operation Iraqi Freedom in 2003. Refits were carried out at Bremerton in 1977, 1982 and 1998, and from 1987 to 1991 KITTY HAWK was overhauled under the Service Life Extension Program (SLEP) Philadelphia.

During its long service life KITTY HAWK's aircraft arm has included A-1 Skyraider, A-4 Skyhawk, A-6 Intruder, A-7 Corsair, EA-6B Prowler, E-2 Hawkeye, F-4 Phantom, F-14 Tomcat, F/A-18 Hornet, S-3B Viking, UH-2, SH-60/HH-60 Seahawk helicopters, and C-2 Greyhound.

KITTY HAWK was the US Navy's last conventionally powered super carrier and a decommissioning ceremony took place at Puget Sound Naval Shipyard in Bremerton, Washington on May 12th 2009. The ship is currently inactive.

The kit consists of 1368 parts on 41 sprues, 41 parts photo-etched.



General views of the aircraft carrier.

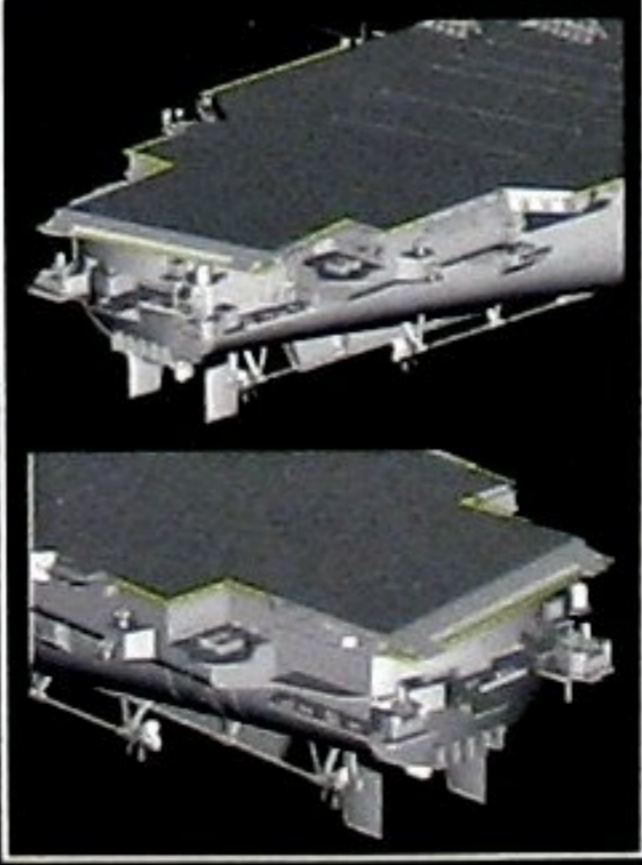
Port and starboard views showing relation of the island to the flight deck.



www.mojehobby.pl www.super-hobby.com



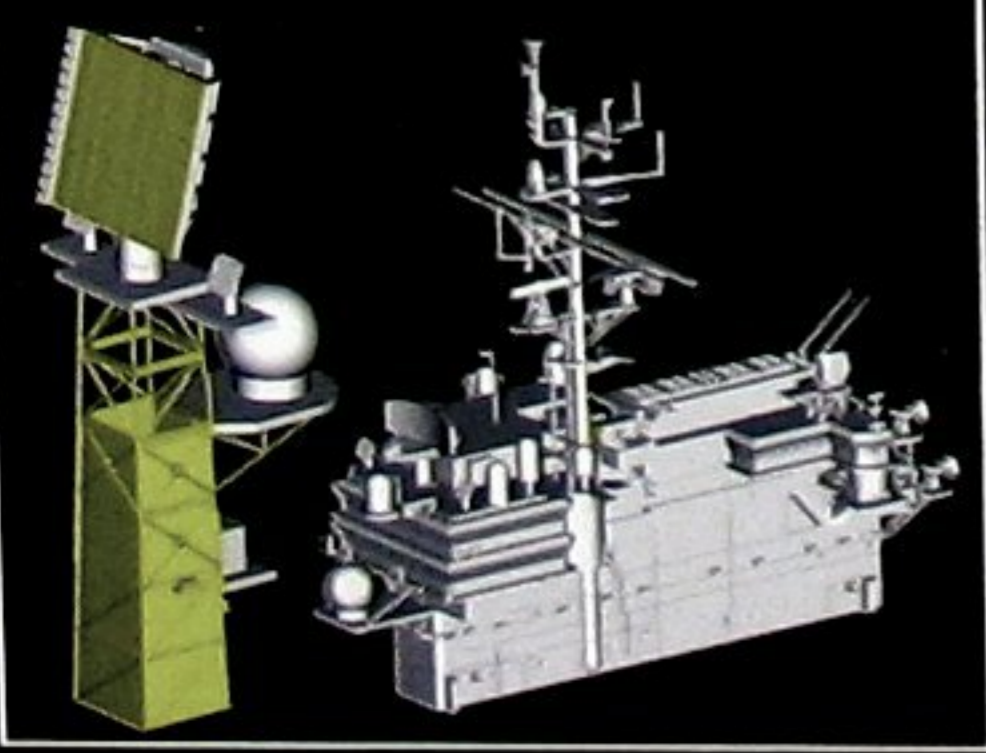
Stern of the ship showing complement of defensive weapons.



Detailed operational aircraft included.



Island well detailed with photo etched parts.



Ground crew and flight deck vehicles and equipment.

[Trumpeter_hobbybox](#)

[Trumpeter_hobbybox](#)

[Trumpeter_hobbybox for sale](#)