

Su-24M Fencer-D

俄罗斯苏-24M “击剑手” D

READ BEFORE ASSEMBLY:

- This kit is not recommended for inexperienced modelers or for children under 14 years of age
- Study and understand these instructions thoroughly before beginning assembly
- When needed, remove photo-etch parts carefully using a modeling knife or photo etch sprue cutter, being careful not to damage or lose small parts.
- Take extra care in handling photo etch parts in order to avoid injury
- Apply instant cement sparingly to photo etch parts where instructed

- Tools recommended(not included in kit):Plastic and instant cements,sprue cutters,long nose pliers,modeling knife, small files, tweezers, pin vise & scissors. Soft cloth and sandpaper will also assist in construction
- Glue and paint are not included in the kit. Use plastic cement and hobby paints only. Color guide for purchasing paint is included in the kit.
- Keep out of reach of children. They must not be allowed to ingest small parts or handle plastic bags in any way.

装配之前仔细阅读

- 小心用模型锉刀锉平所有零件表面的注射浇口。
- 小心用刀片切下蚀刻片零件，不要遗失小零件。
- 用强力快干胶水粘合蚀刻片零件和金属轴。过量的快干胶水使用可能导致可动零件会粘住，小心涂胶。
- 取蚀刻片时应特别注意安全，防止利边划伤手指。
- 某些零件表面需贴水上贴纸，请选择在装配的同时进行。
- 推荐模型工具(自备)：胶水，水口剪刀，长咀钳，刀片，锉刀，镊子钳，钻，剪刀，瞬间快干胶。
- 软布同砂纸同时也应该是必备工具。
- 请使用塑料胶水和油漆，模型内不含。
- 谨防小孩吸吮塑料零件，或者将塑料袋套在头上，制作时应将套材远离小孩接触。
- 本产品不适合14岁以下没有经验的模型爱好者。

水贴纸的使用:

1. 从水贴上剪下印花;
2. 将印花放入温水中浸10秒, 然后放在干净布上。
3. 拿着印花纸板将印花移到模型上;
4. 手指蘸水将印花移到适当的位置;
5. 用软布轻压印花直至水干, 气泡消失。

DECAL APPLICATION:

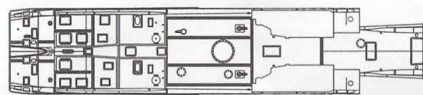
1. Cut decals from sheet as needed
2. Dip the decal in warm water for about 10 seconds and then place on soft clean cloth.
3. Hold the decal backing sheet edge and gently slide the decal onto the model in its proper position.

4. While still wet, decal can be adjusted for better fit on model by dampening it gently with your finger.
5. When placed in the proper position, gently press decal down with a soft cloth until excess water and air bubbles are gone.
6. Allow decal to dry completely before handling model

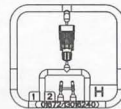


部品图 Parts

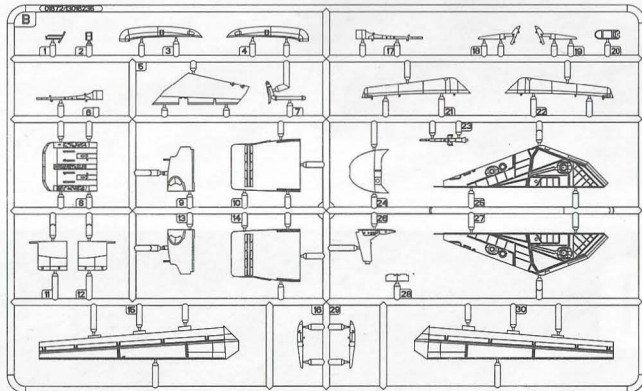
A1



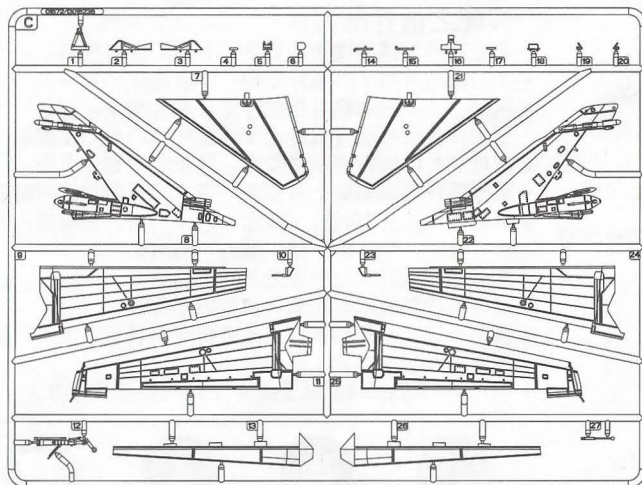
H X 2



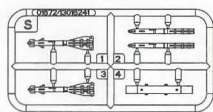
B



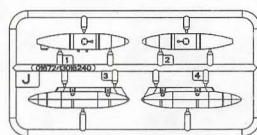
C



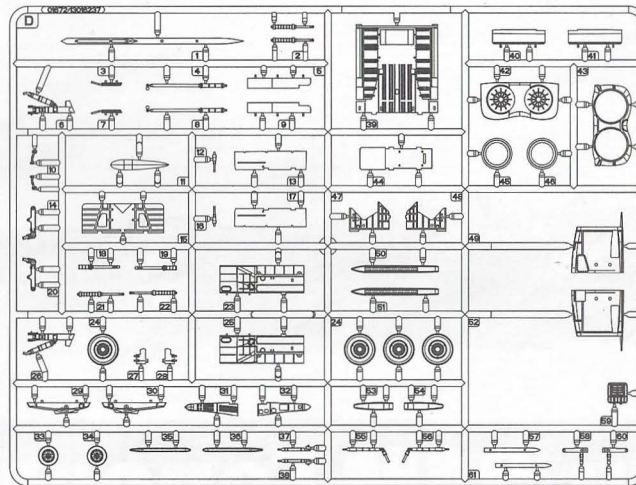
S X 2



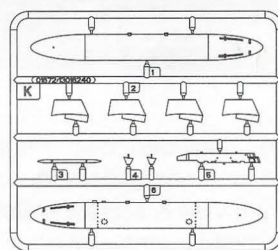
J X 2



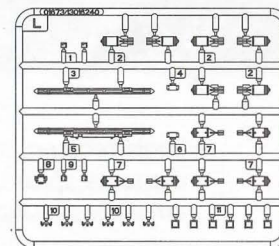
D



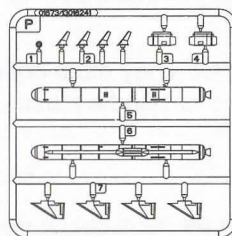
K X 2



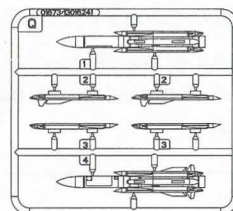
L X 4



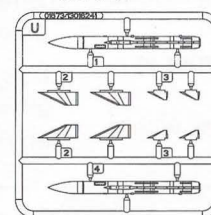
P X 2



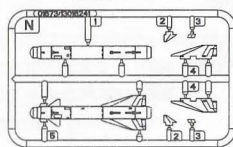
Q X 2



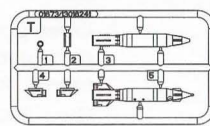
U X 2



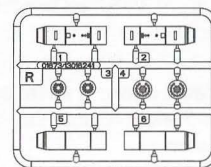
N X 2



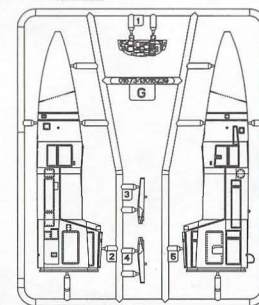
T X 2



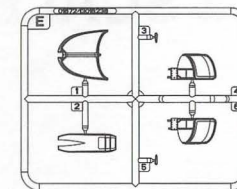
R X 2



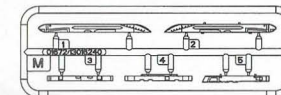
F



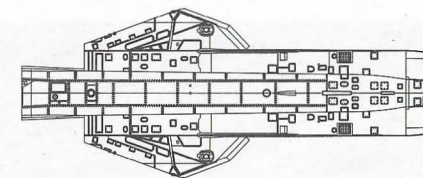
E



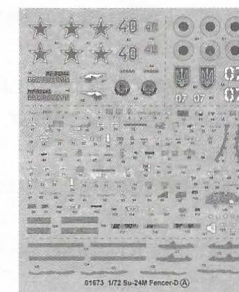
M X 4



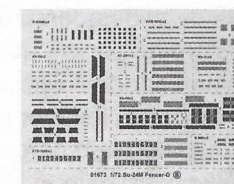
A2



《水贴》A
Decal

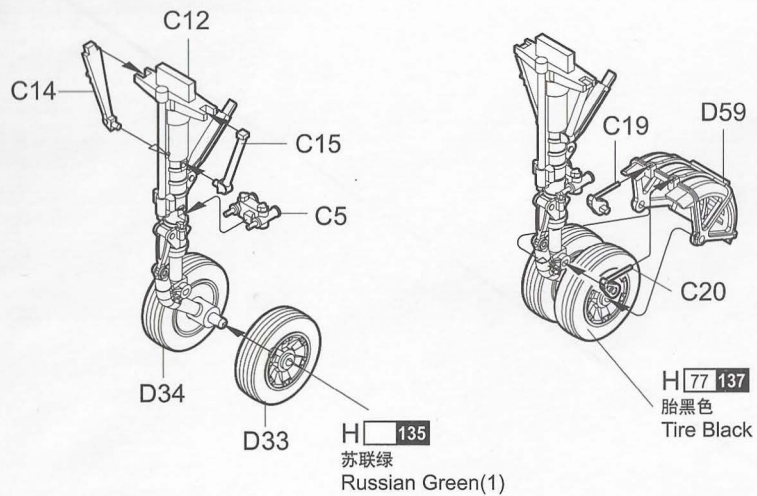


《水贴》B
Decal

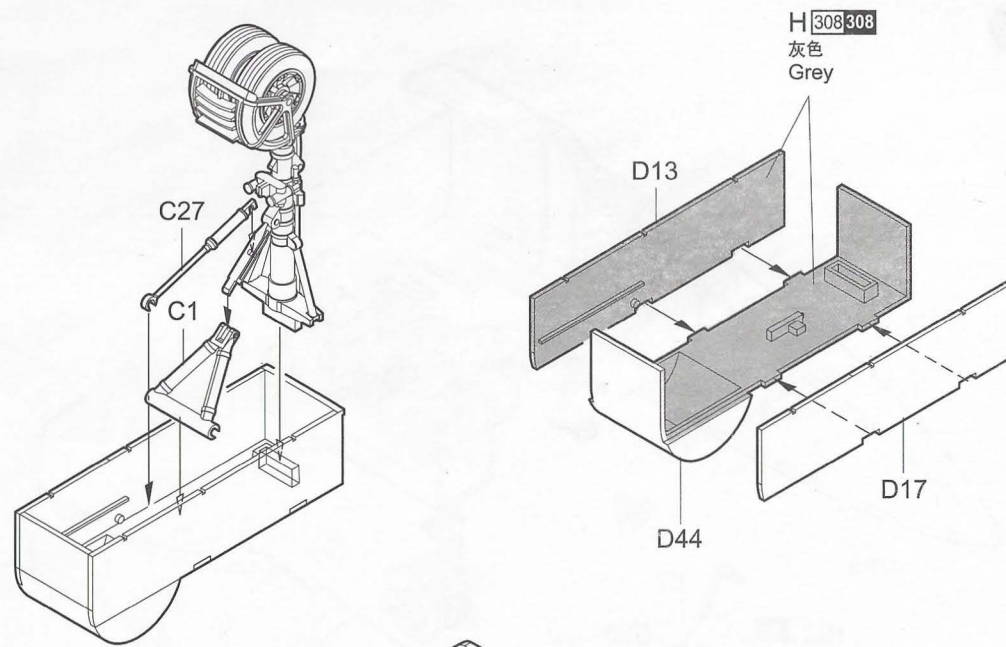


不用的部件:C6,C17
Unused parts

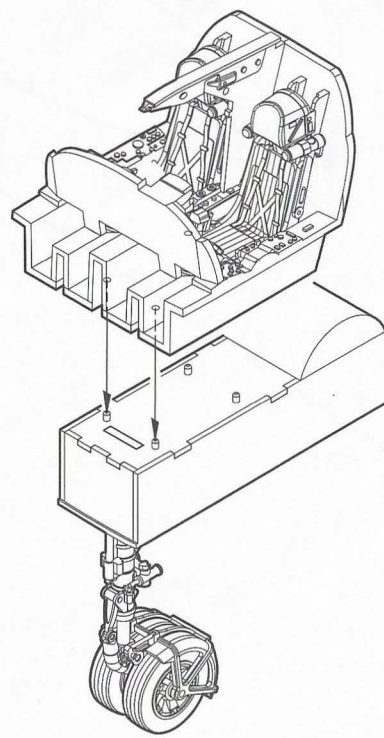
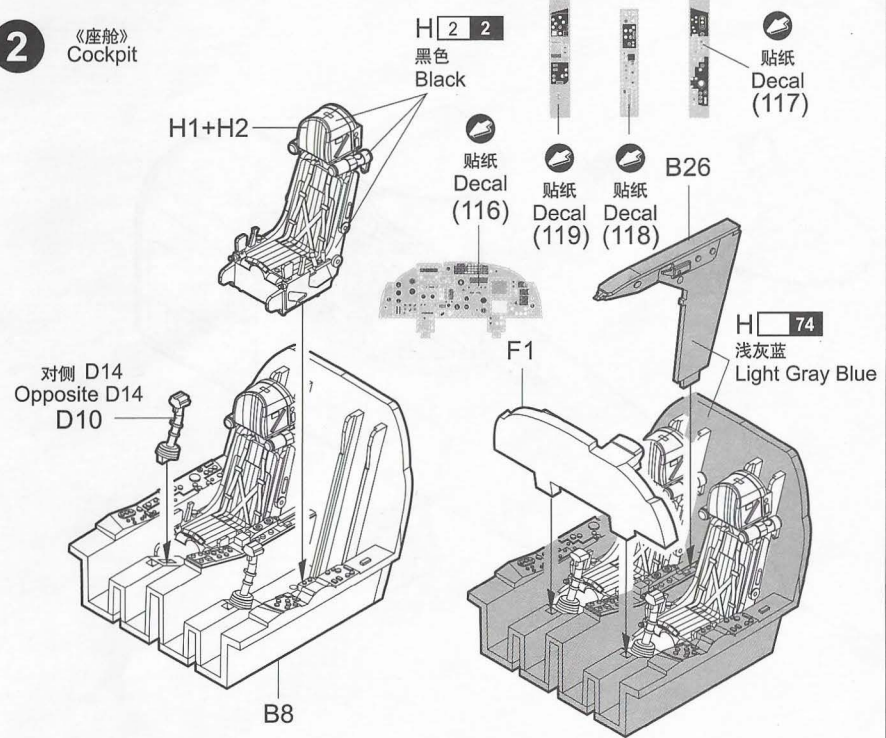
1 《前起落架》
Nose undercarriage



3

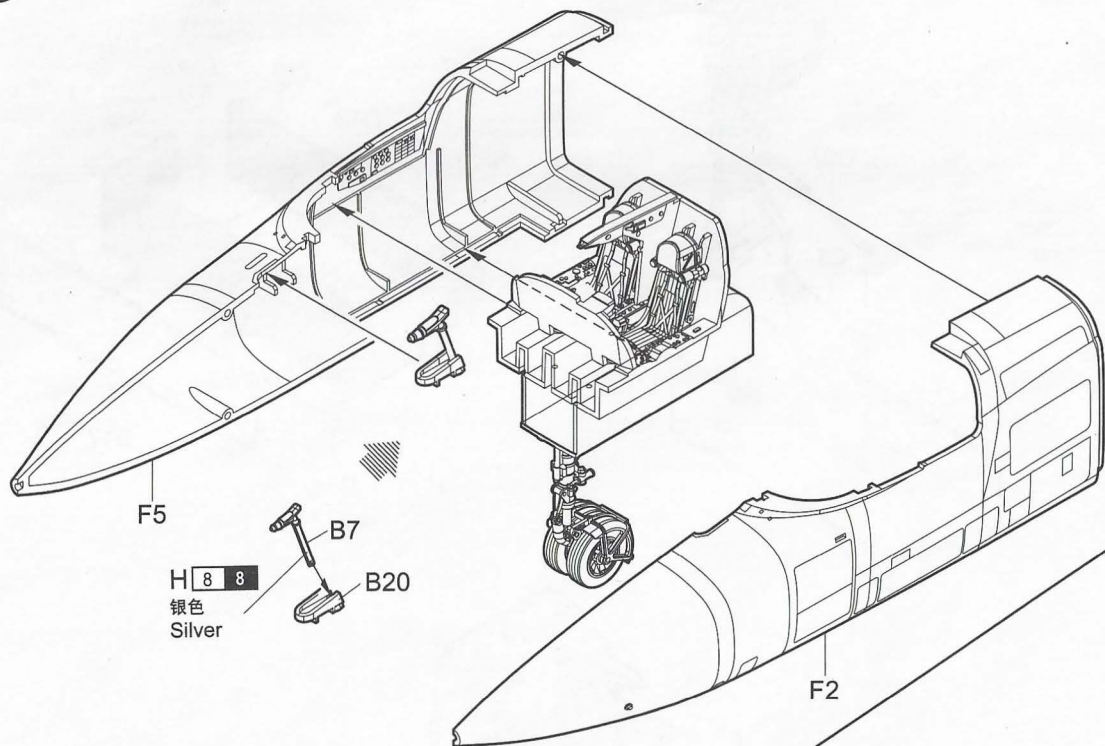


2 《座舱》
Cockpit

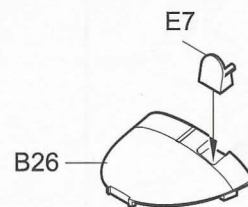


4

5

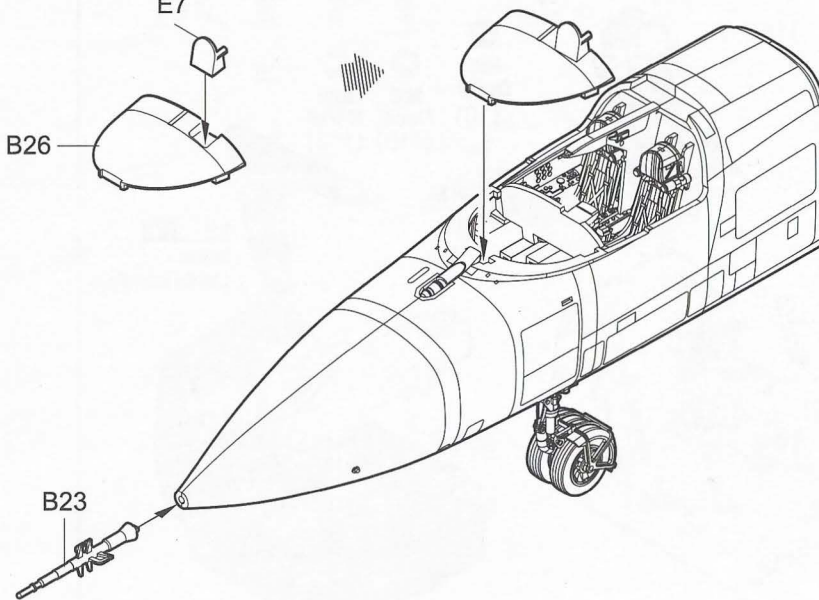


H 8 8
银色
Silver



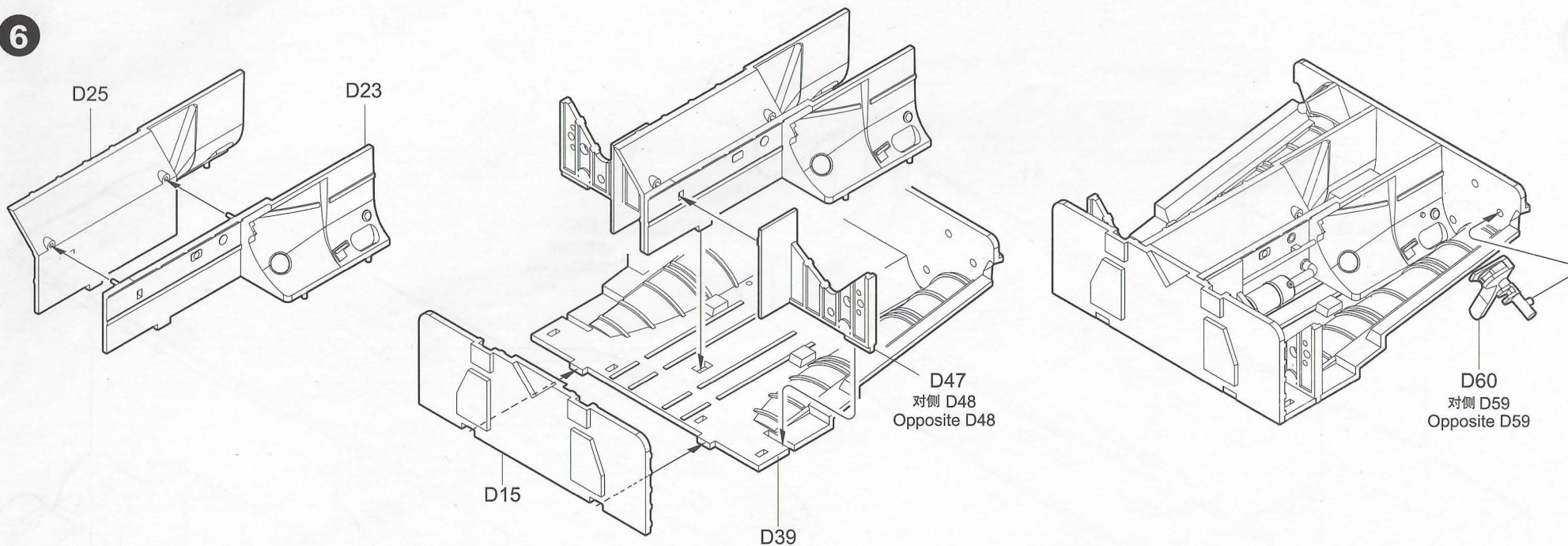
B26

E7

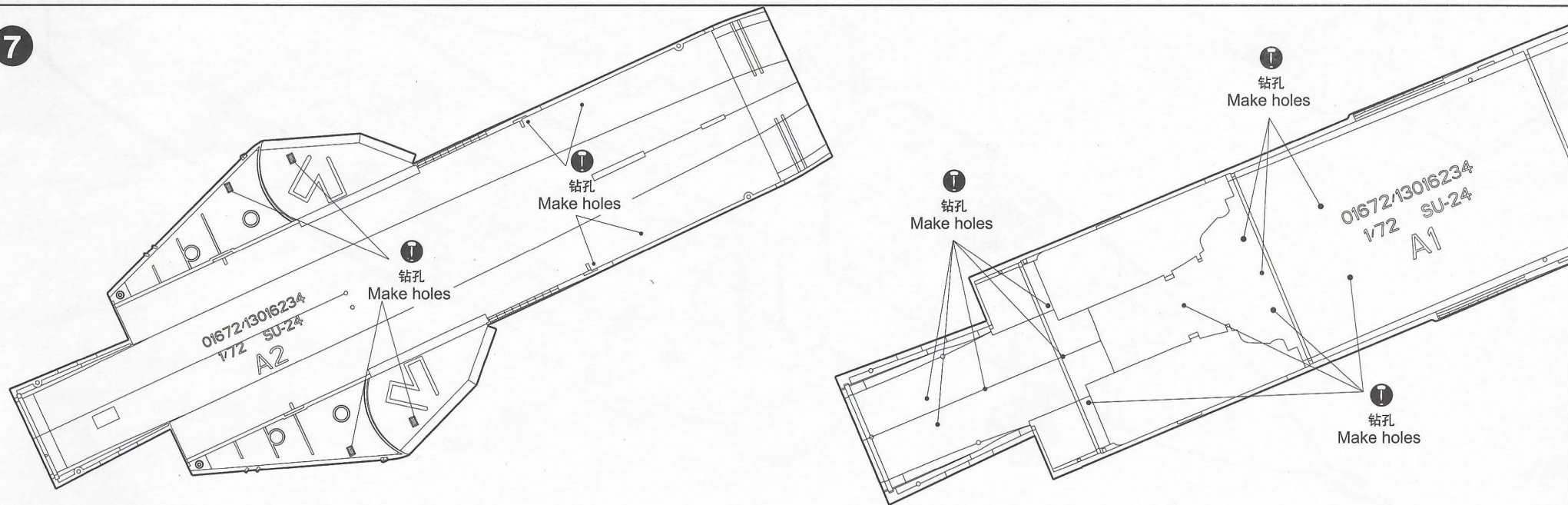


B23

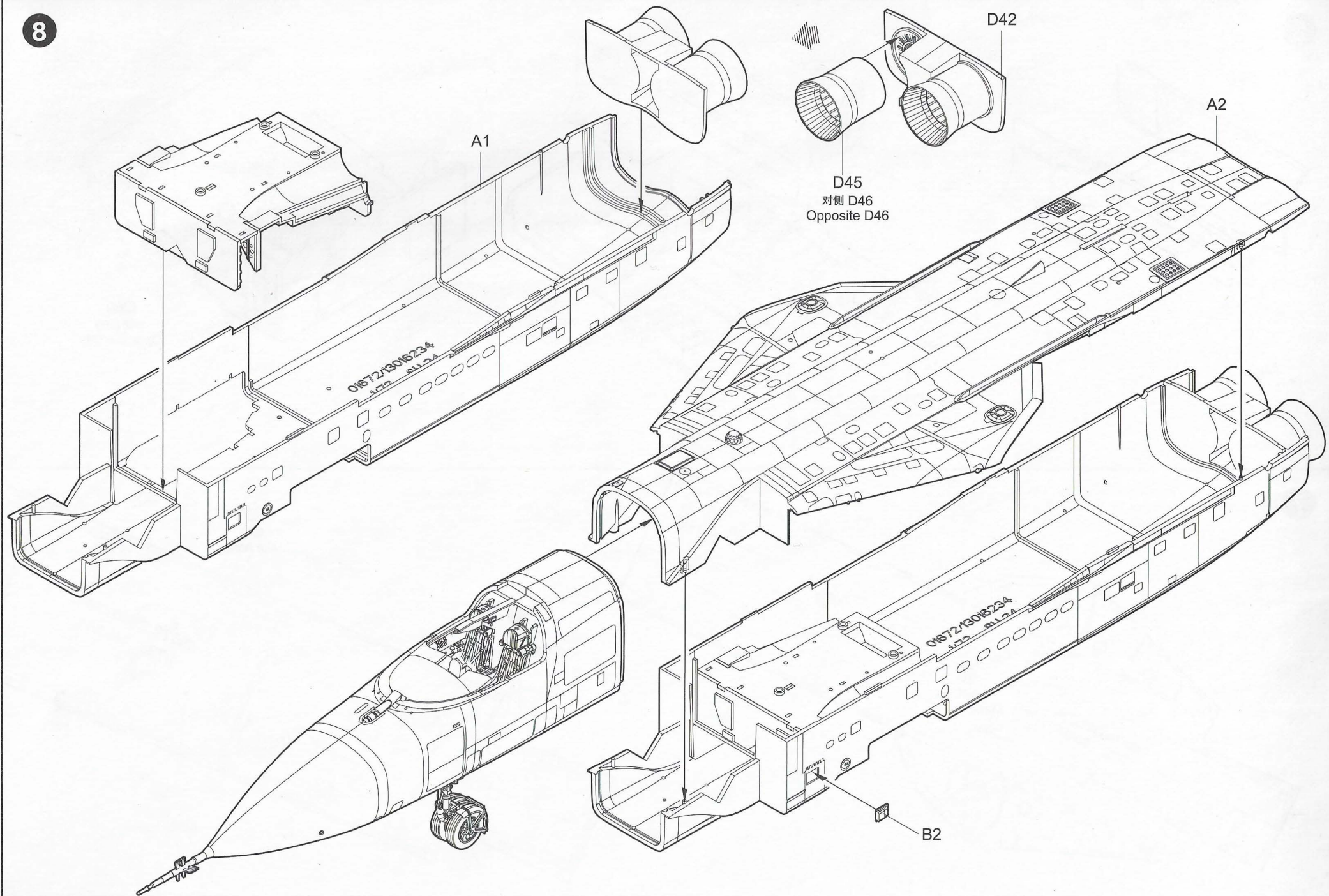
6



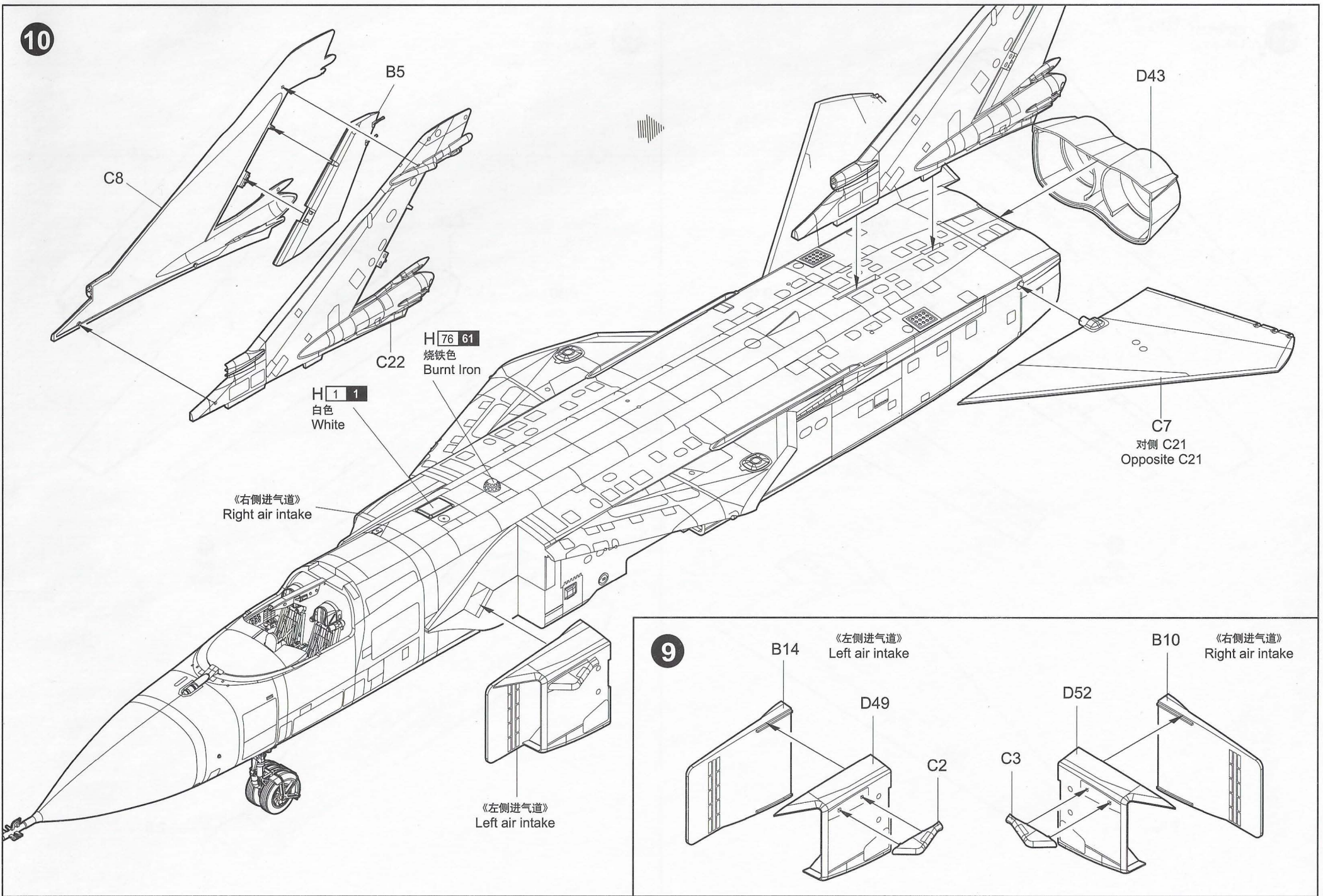
7



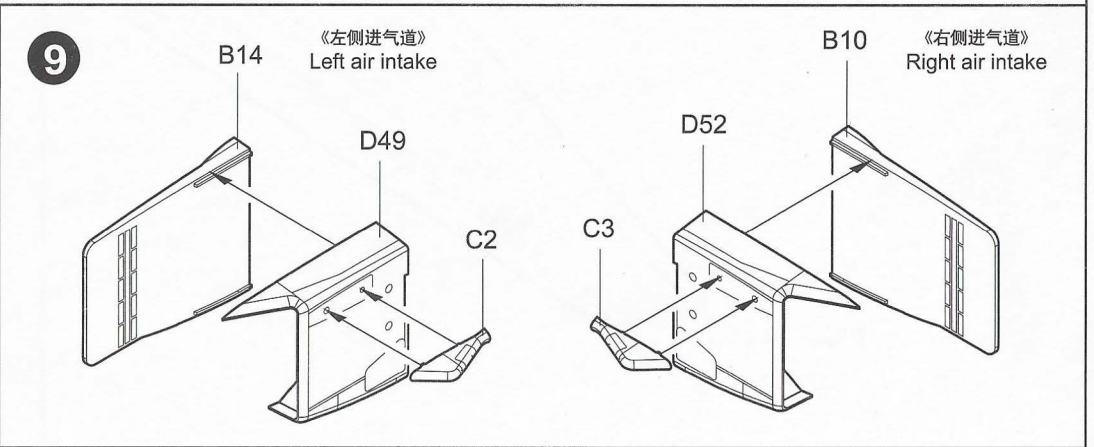
8



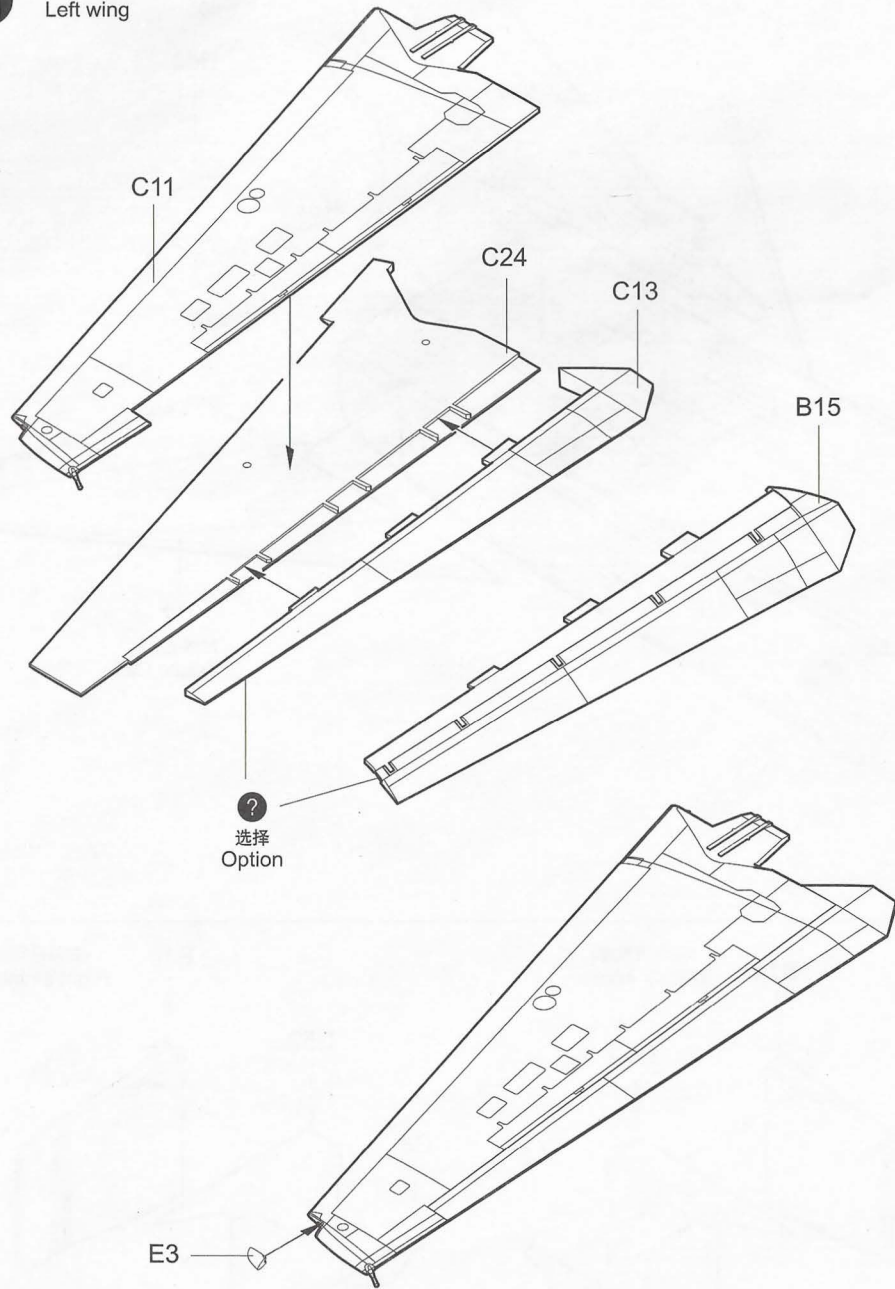
10



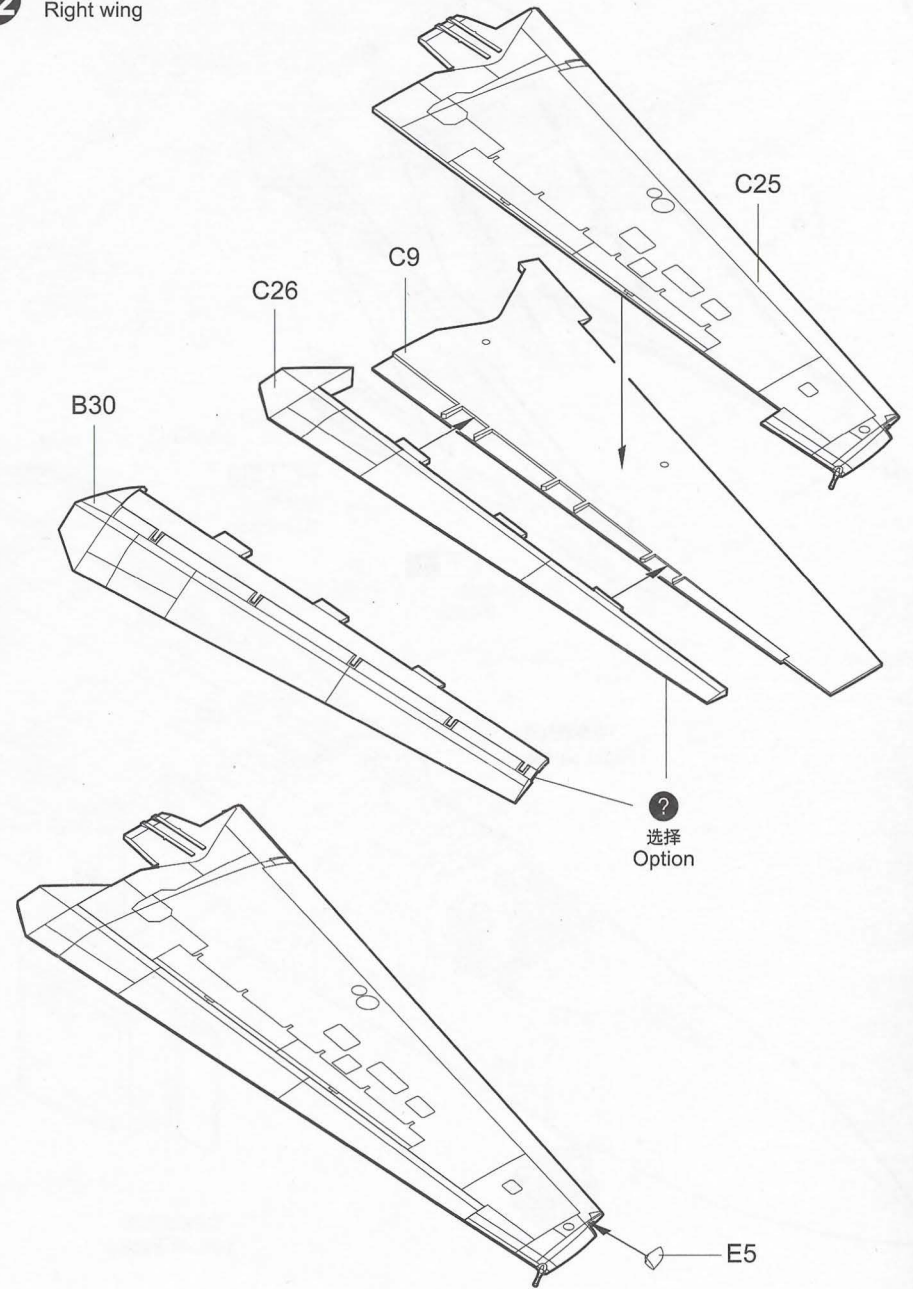
9

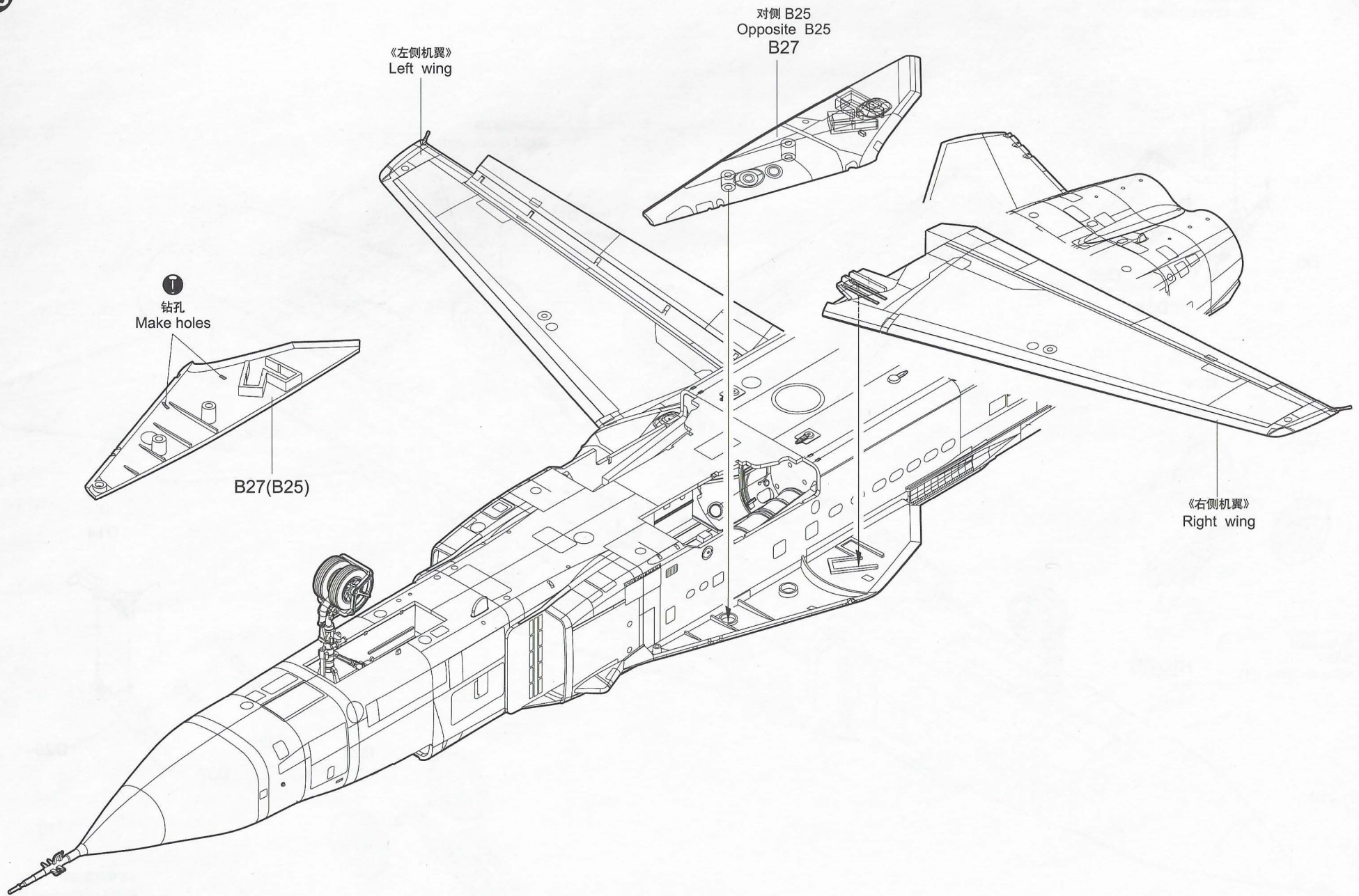


11 《左侧机翼》
Left wing

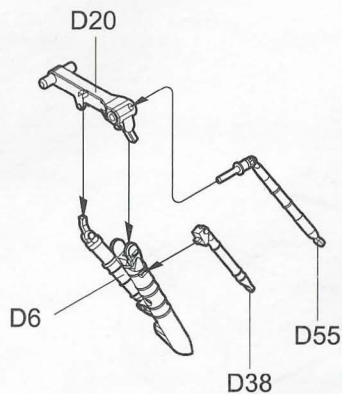


12 《右侧机翼》
Right wing





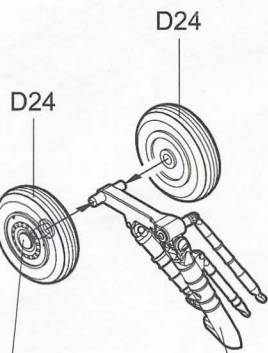
《左侧起落架》
Left undercarriage



《右侧起落架》
Right undercarriage

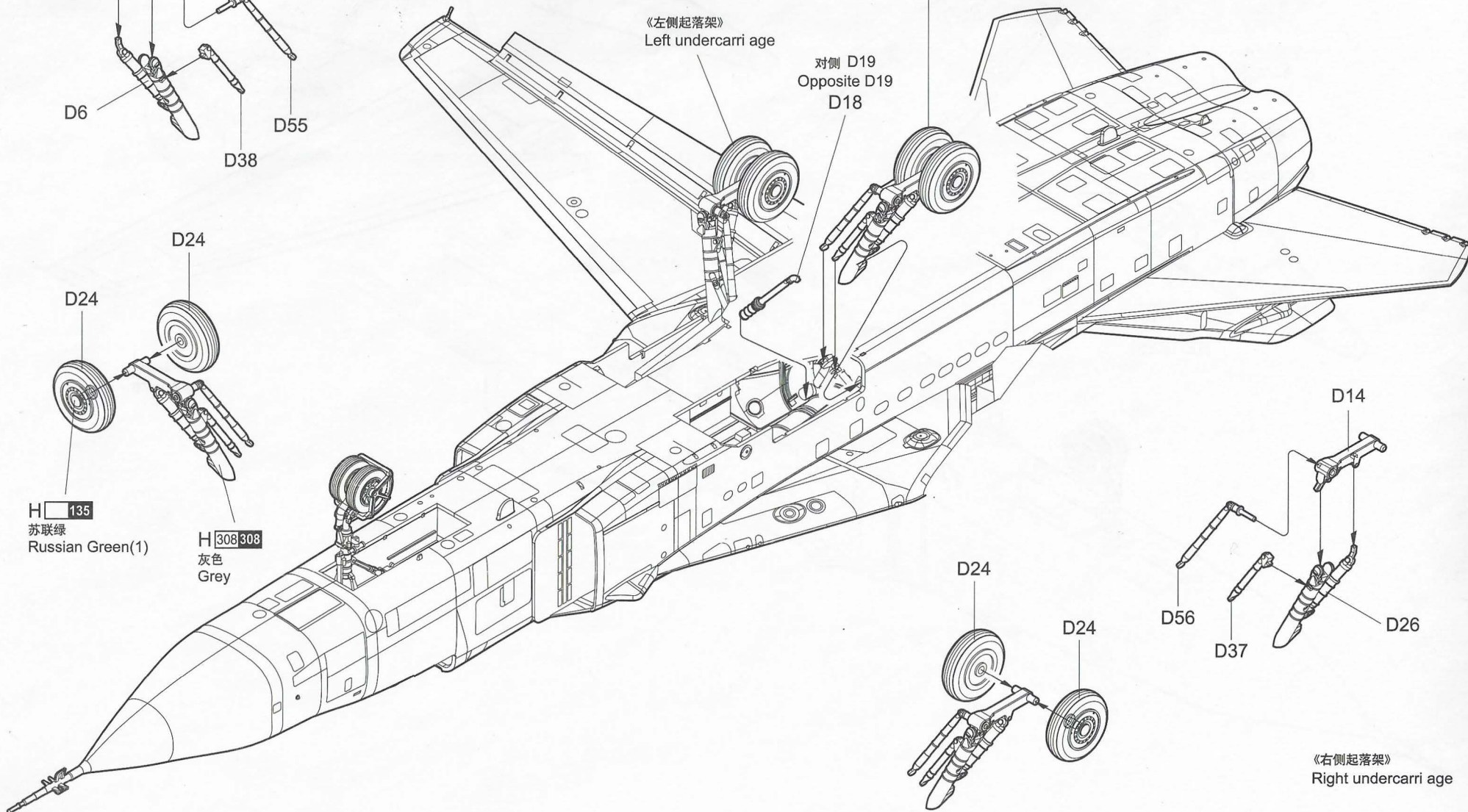
对侧 D19
Opposite D19
D18

《左侧起落架》
Left undercarriage

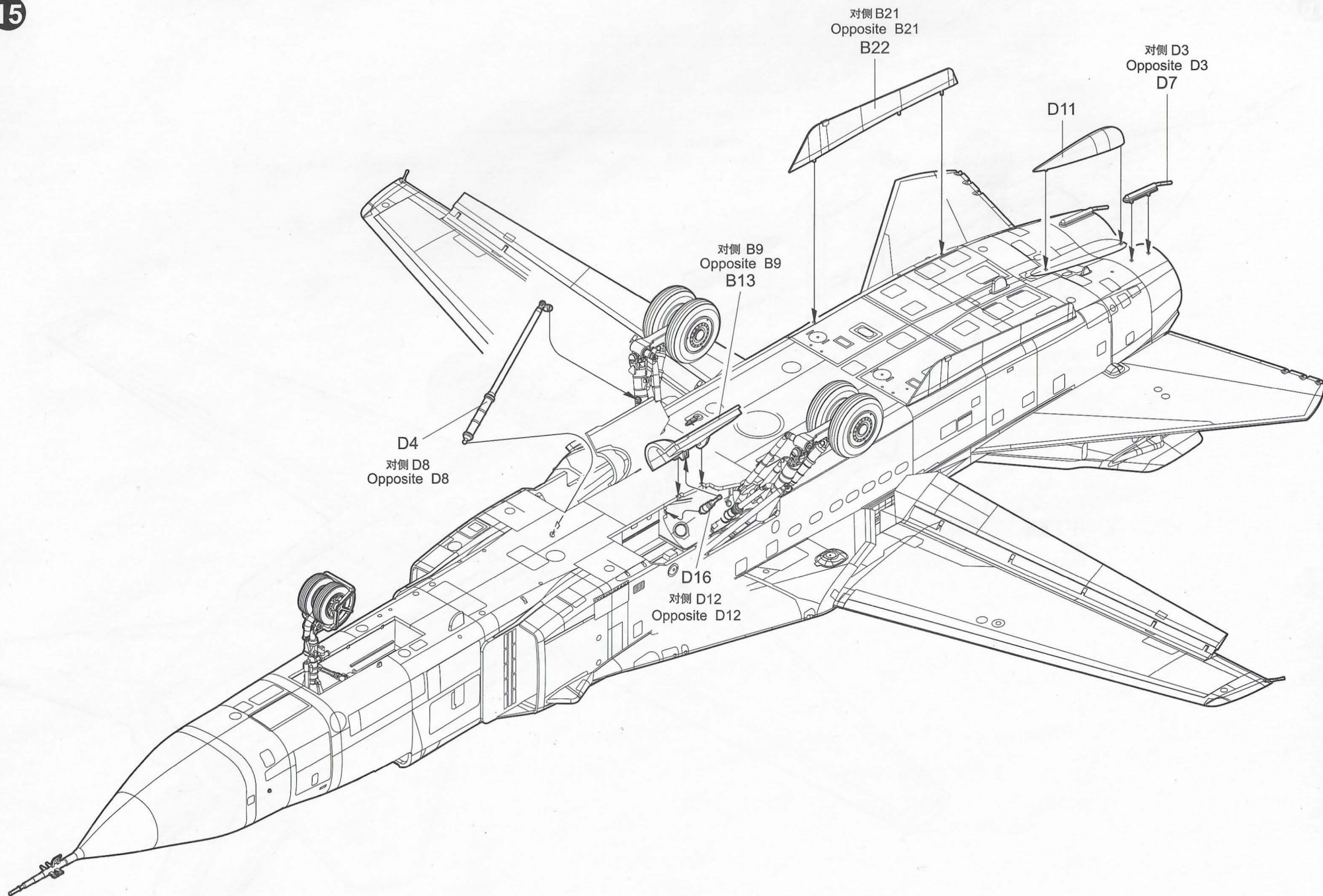


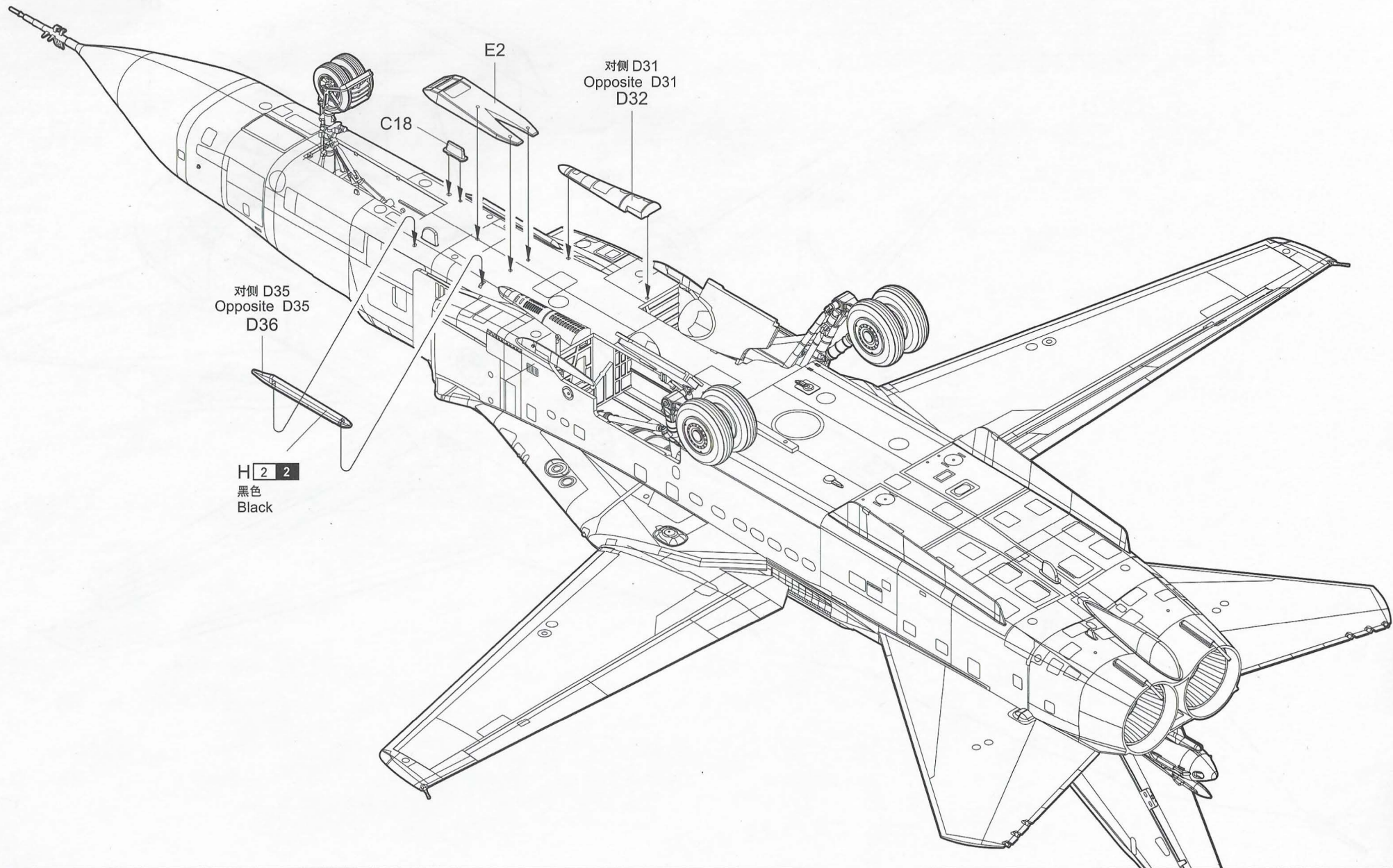
H 135
苏联绿
Russian Green(1)

H 308308
灰色
Grey



《右侧起落架》
Right undercarriage





对侧 D35
Opposite D35
D36

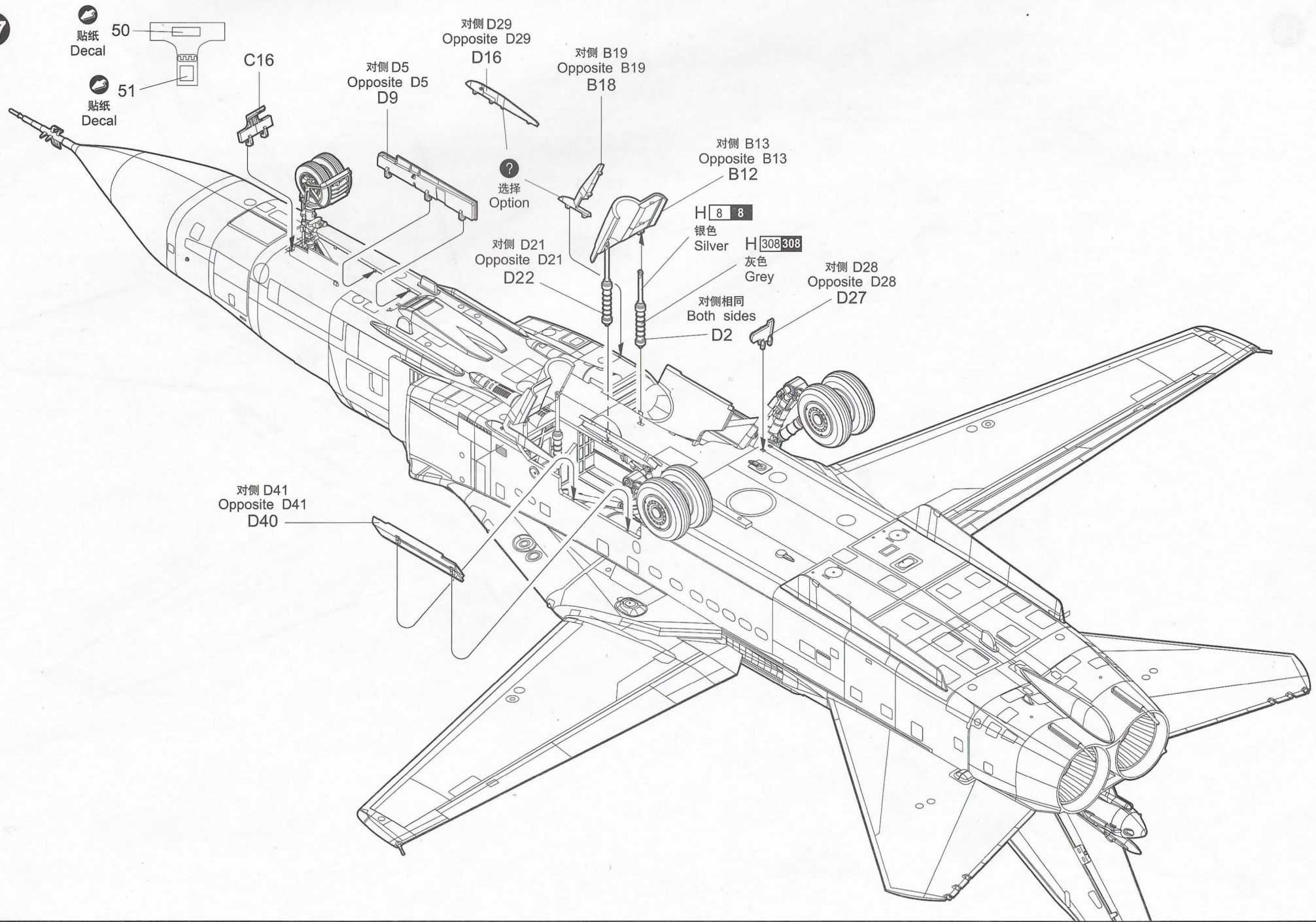
H 2 2
黑色
Black

对侧 D31
Opposite D31
D32

E2

C18

17



50
贴纸
Decal

51
贴纸
Decal

C16

对侧 D5
Opposite D5
D9

对侧 D29
Opposite D29
D16

对侧 B19
Opposite B19
B18

?
选择
Option

对侧 B13
Opposite B13
B12

H 8 8

银色
Silver

H 308 308

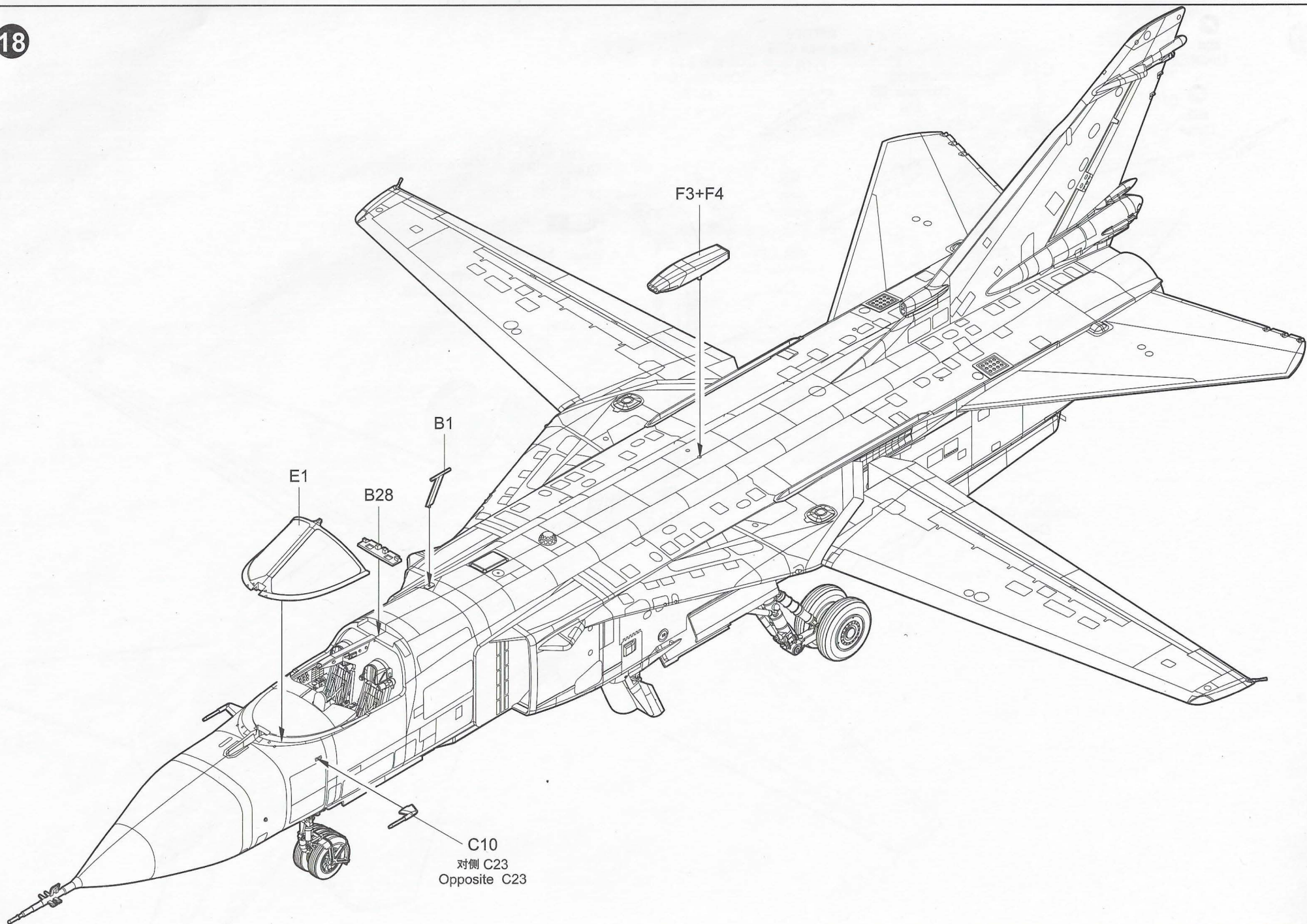
灰色
Grey

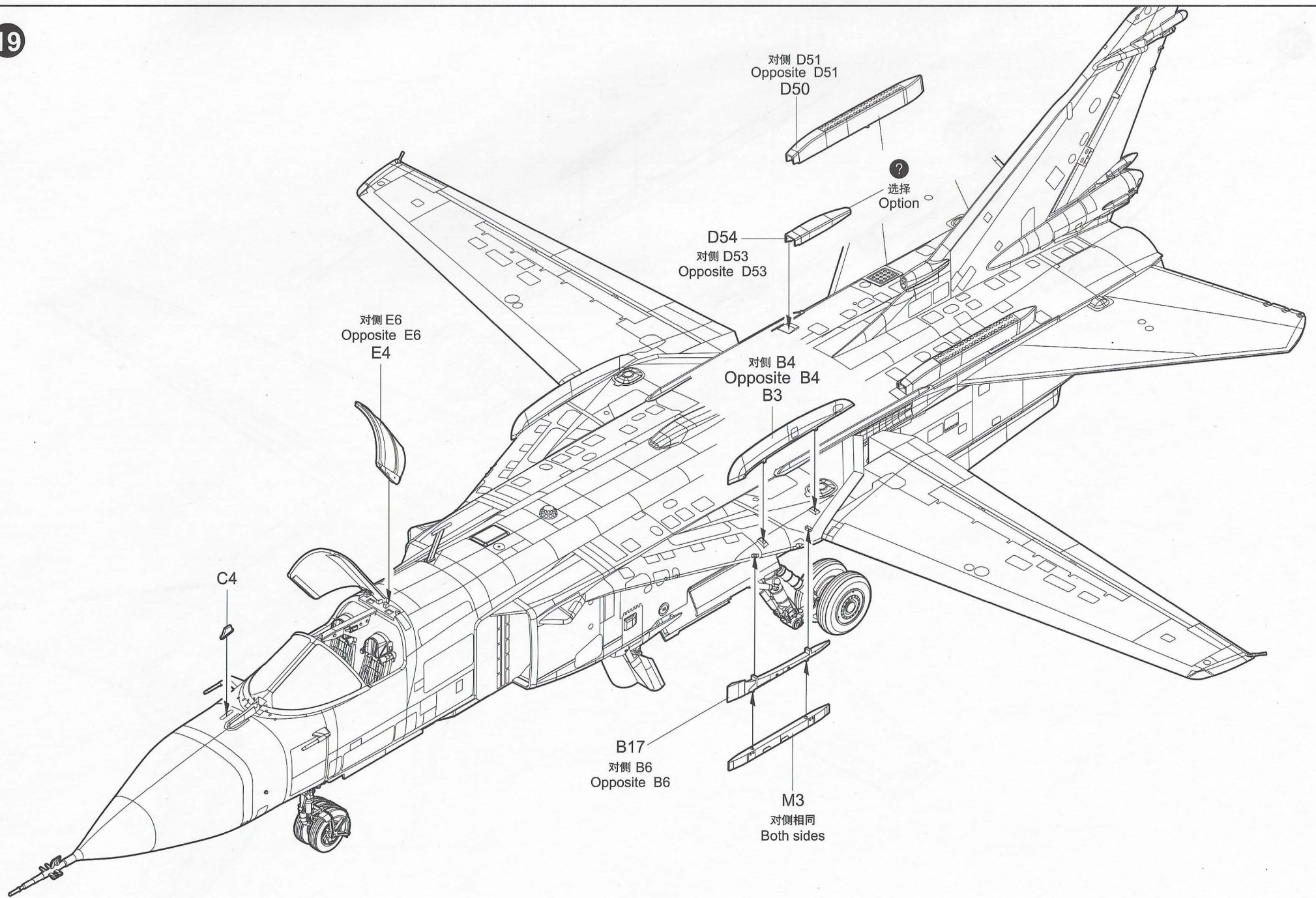
对侧 D21
Opposite D21
D22

对侧相同
Both sides
D2

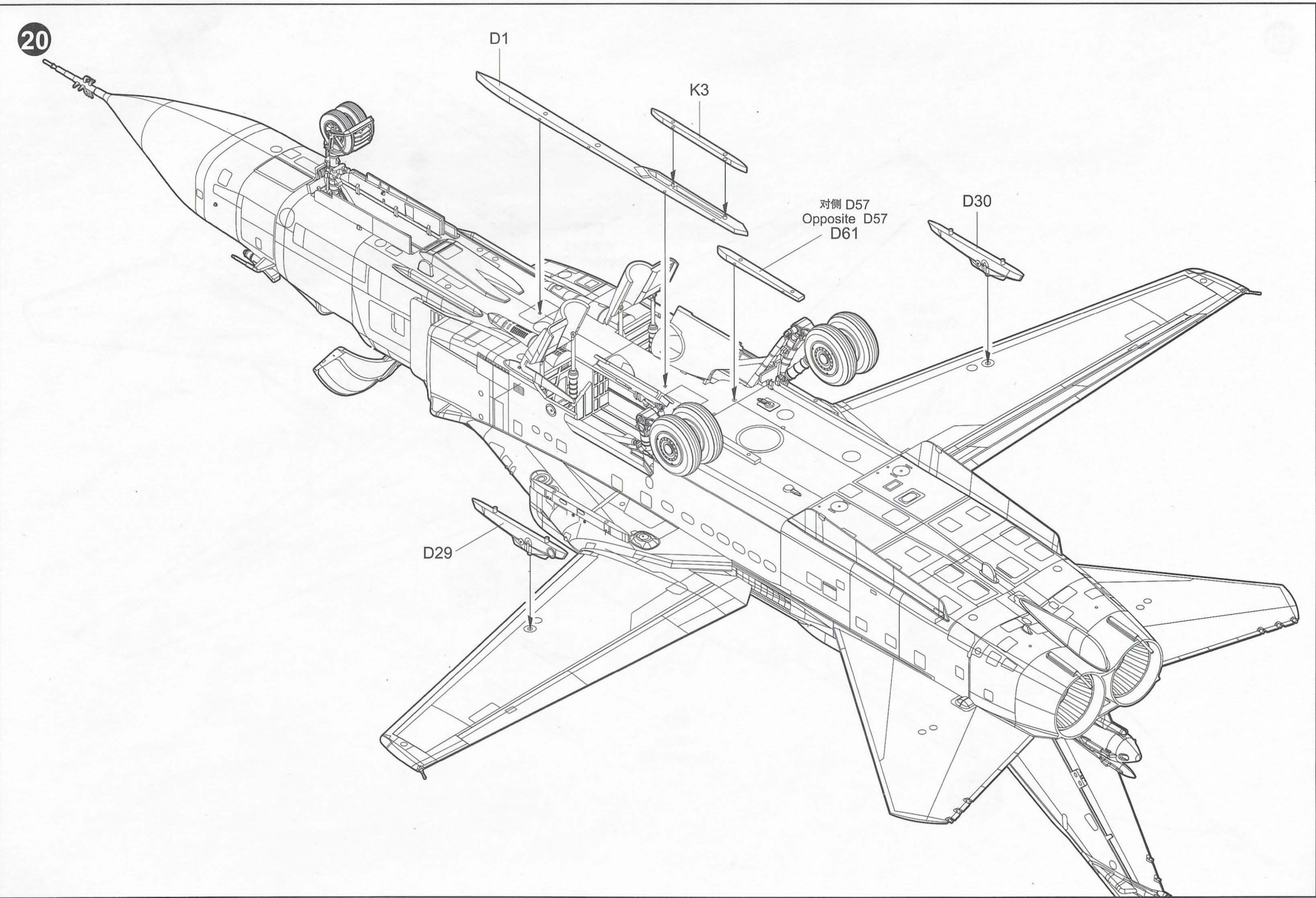
对侧 D28
Opposite D28
D27

对侧 D41
Opposite D41
D40

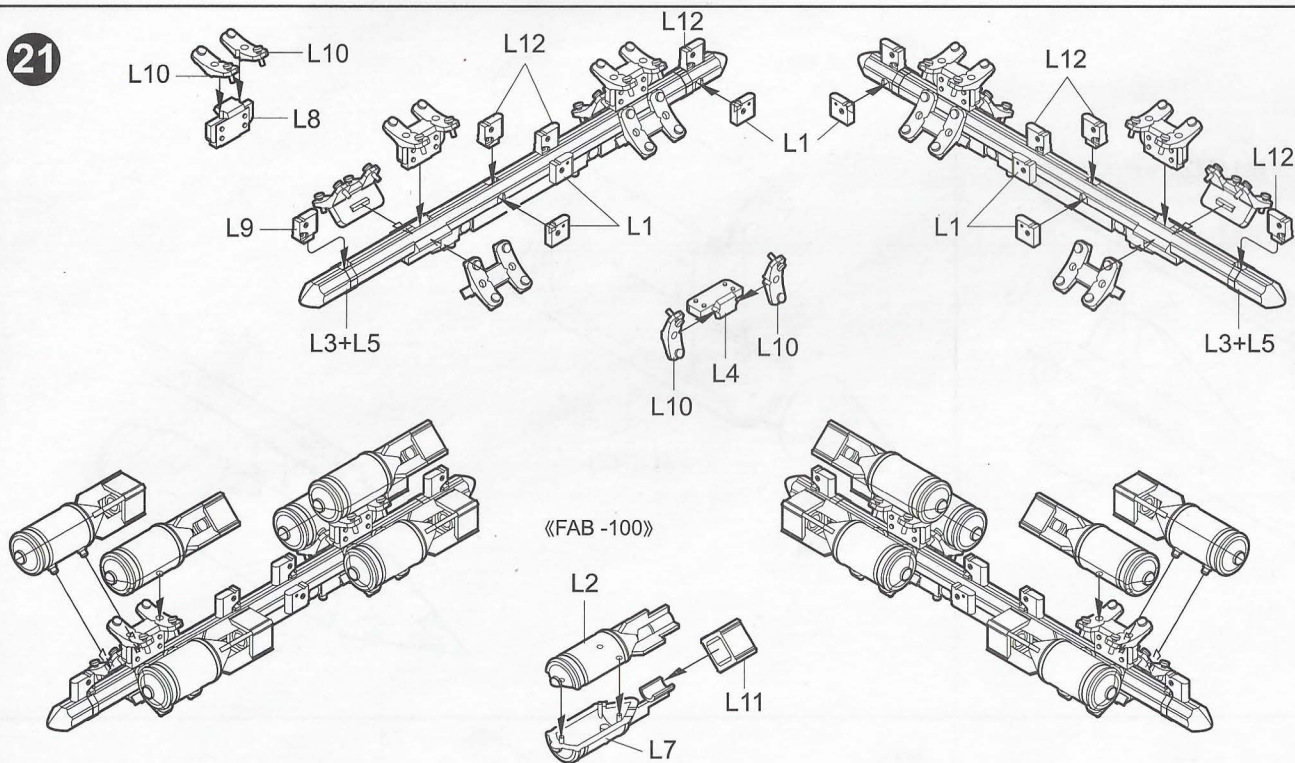




20

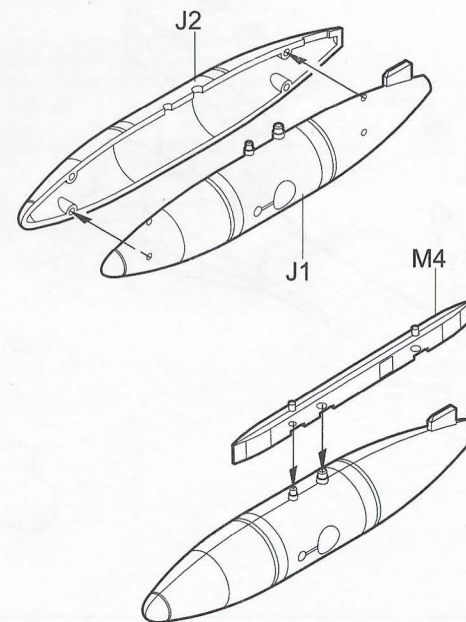


21



23

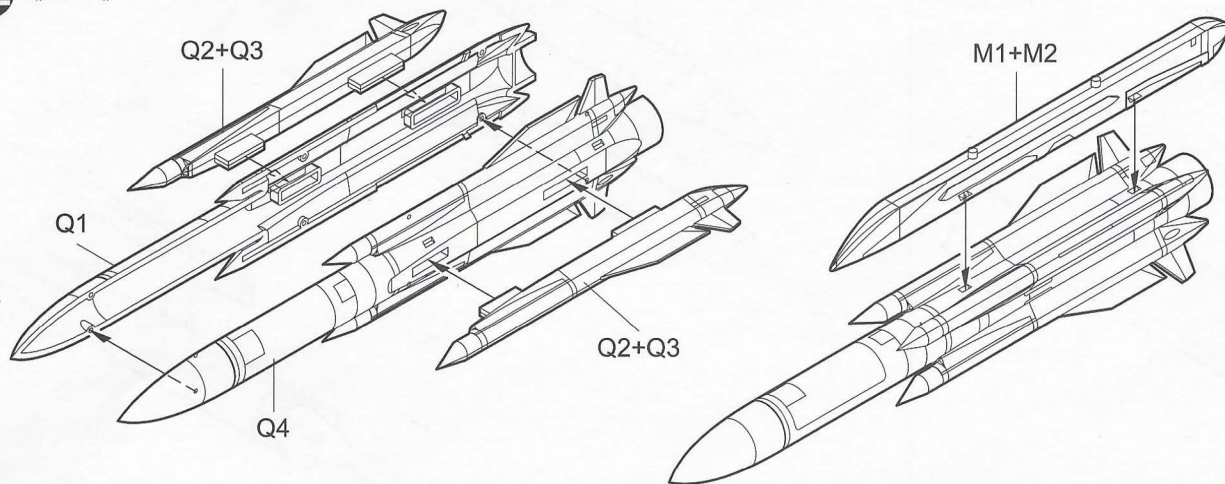
《ZB-500》



制作两组
Make Two

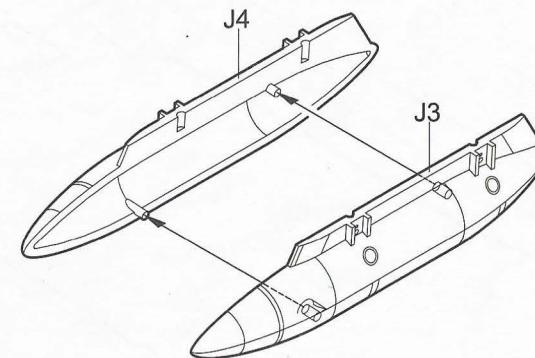
22

《KH-31》



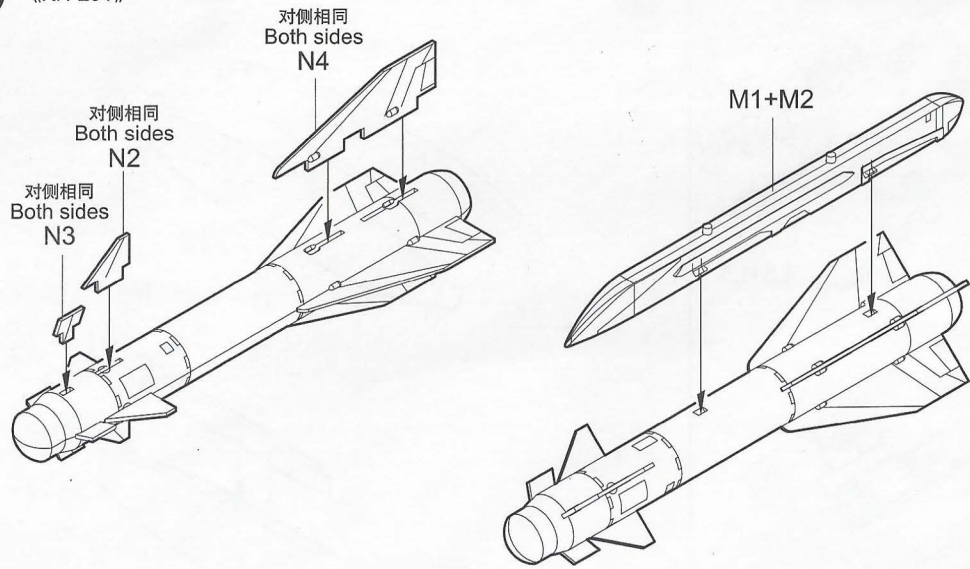
24

《PTB-2000》

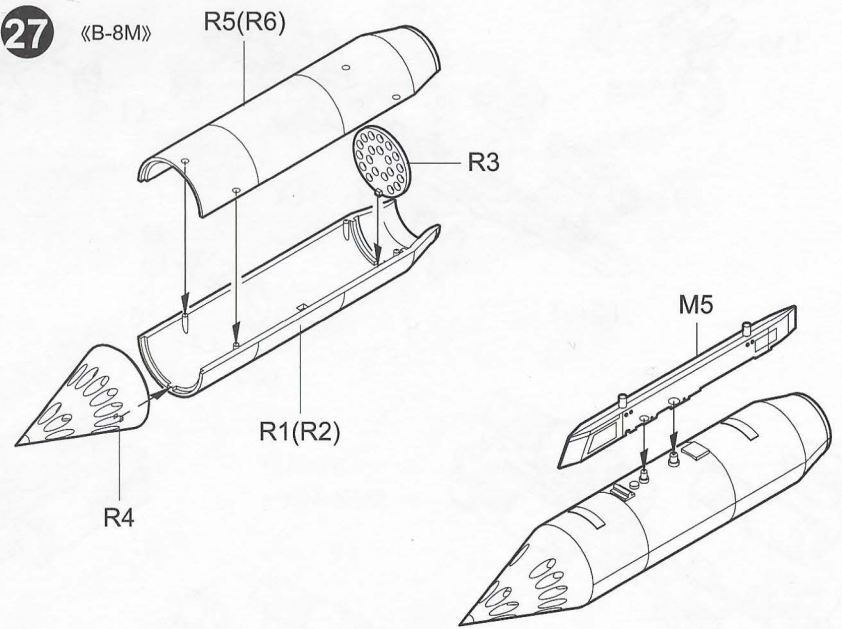


制作两组
Make Two

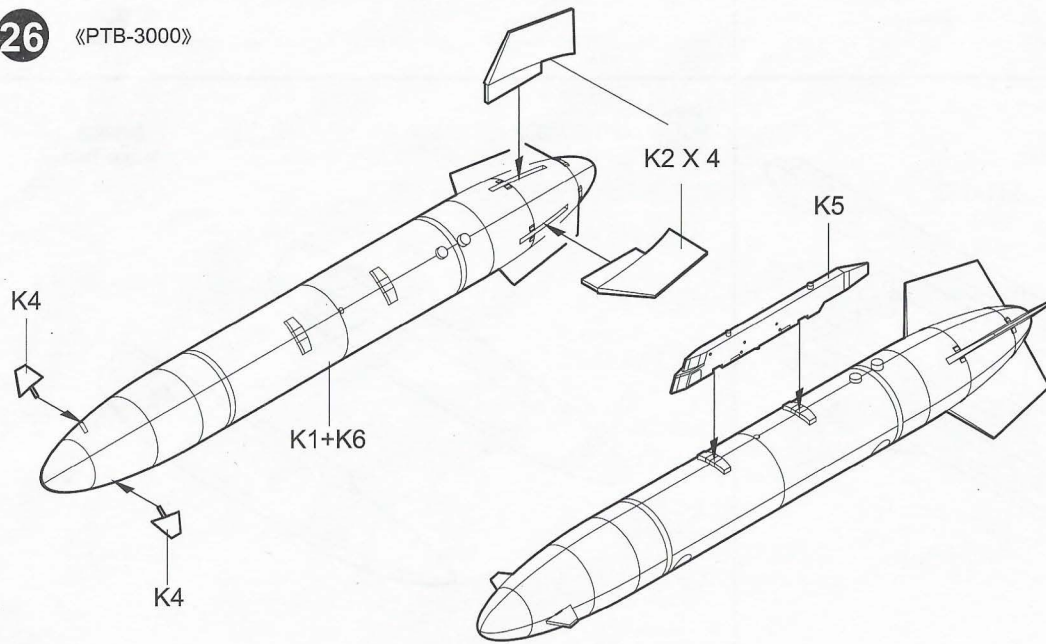
25 《KH-29T》



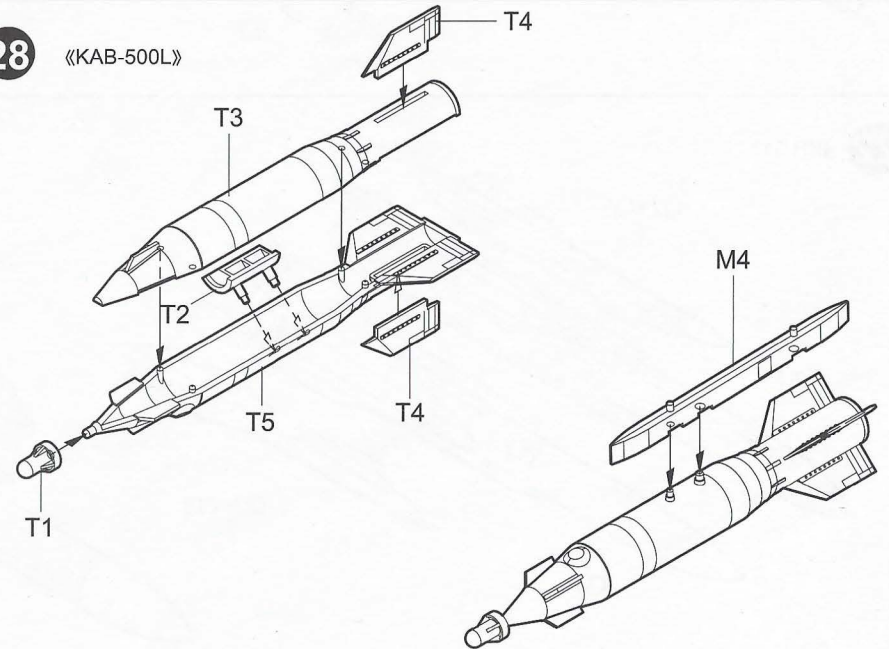
27 《B-8M》



26 《PTB-3000》



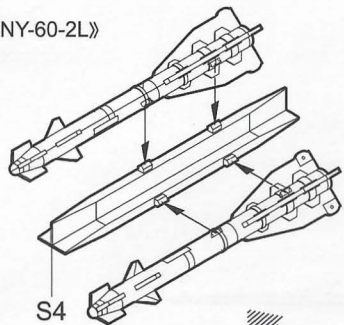
28 《KAB-500L》



29

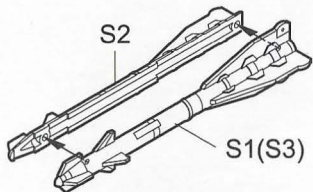
《R-60》

《ANY-60-2L》



S4

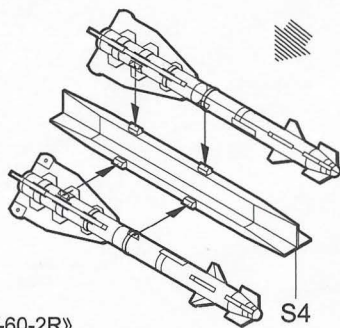
S2



S1(S3)

制作四组
Make Four

《ANY-60-2R》

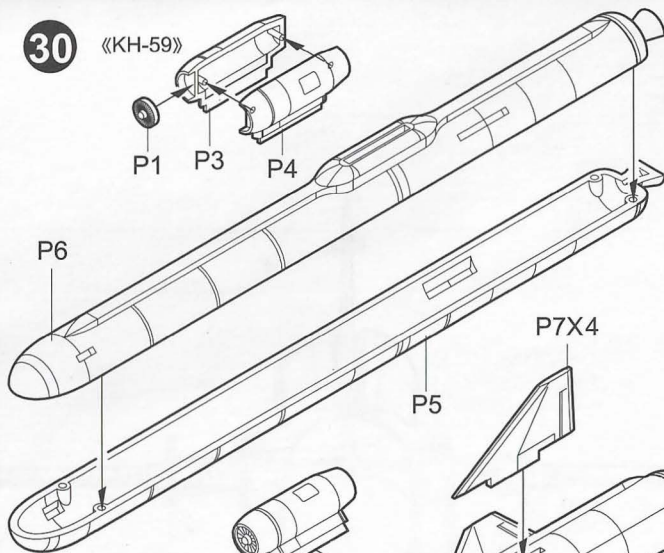


S4

30

《KH-59》

P1 P3 P4

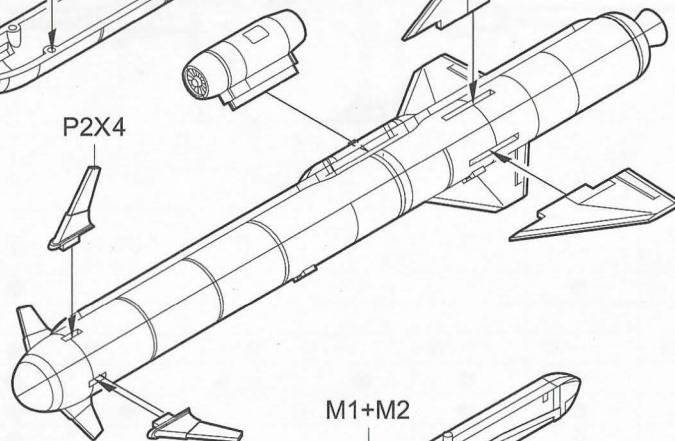


P6

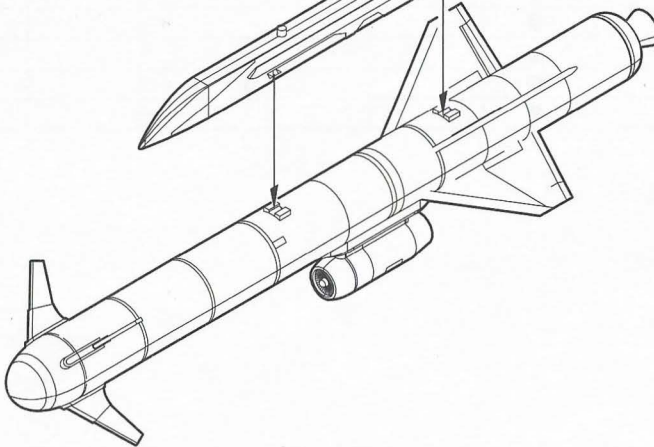
P7X4

P5

P2X4



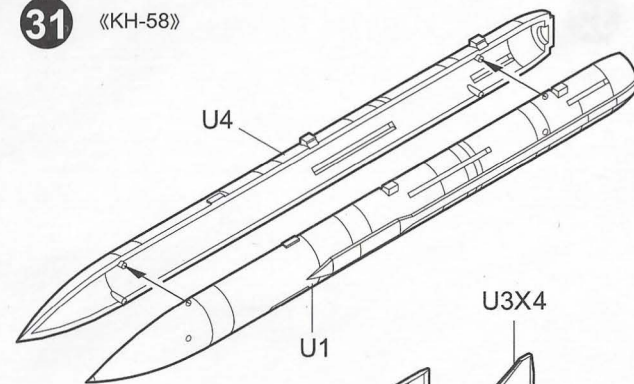
M1+M2



31

《KH-58》

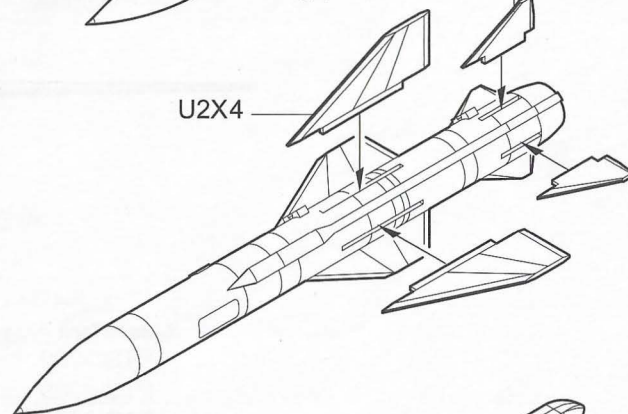
U4



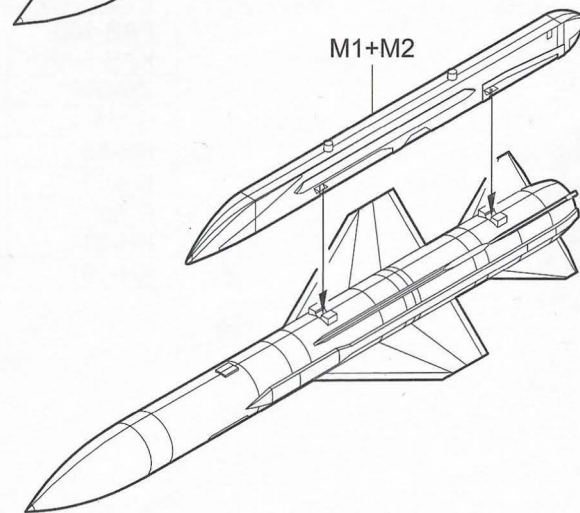
U1

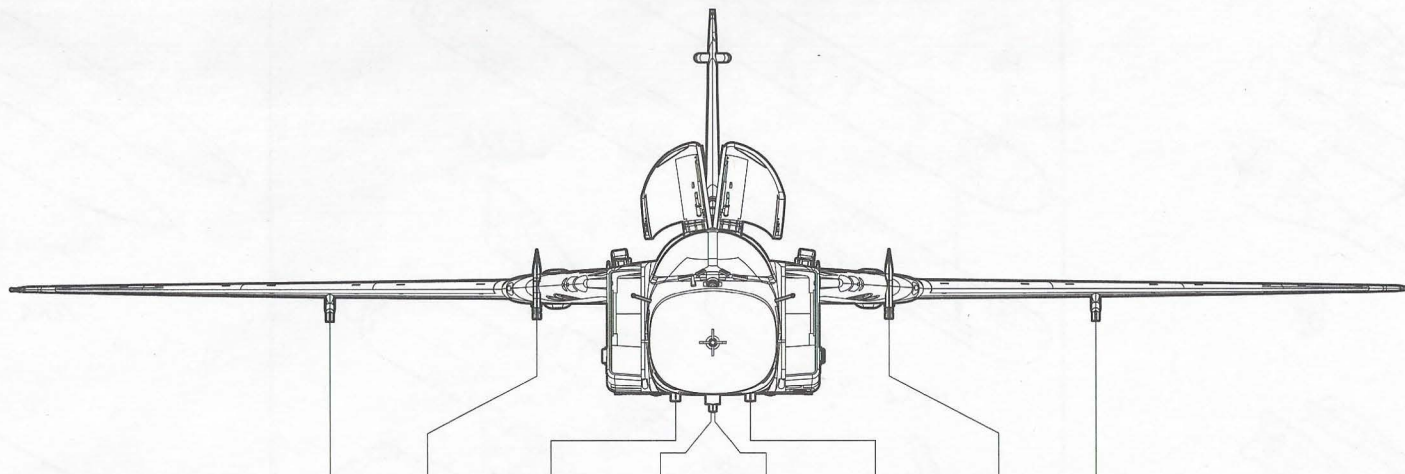
U3X4

U2X4



M1+M2





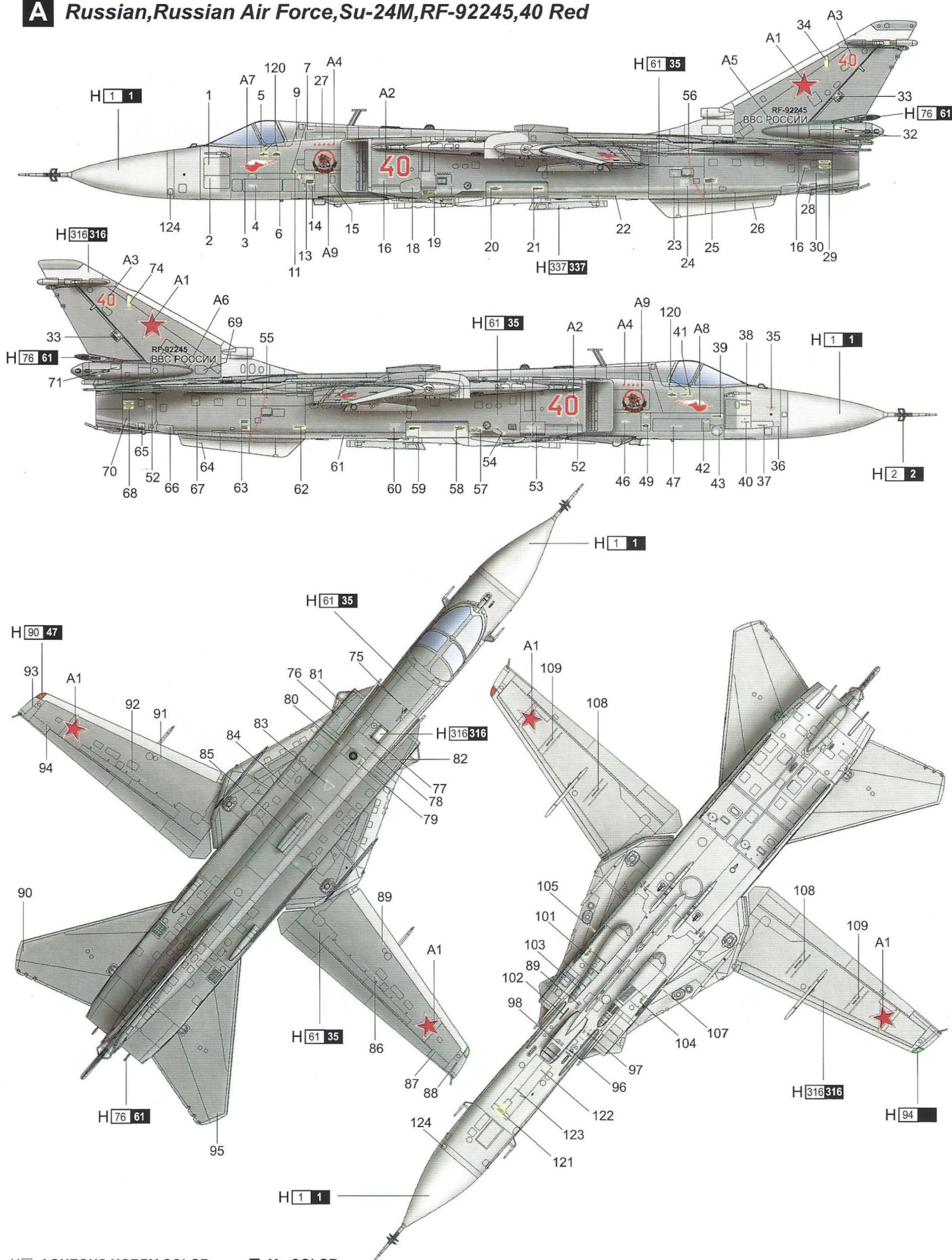
Sta.No.	1	2	3	4	5	6	7	8
Missile/Tank								
PTB-3000	●	●					●	●
PTB-2000	●							●
FAB-100	●	●	●		●		●	●
KAB-500L		●	●	●	●	●	●	
ZB-500		●	●		●	●	●	
B-8M		●					●	
KH-58		●					●	
KH-59		●					●	
R-60		●					●	
KH-31		●			●		●	
KH-29T		●					●	

涂装同标贴指示 Painting & Marking guide

PAINT REFERENCE COLOUR					
Color	Mr.Hobby	Vallejo	Model Master	Tamiya	Humbrol
白色 White	H 1 1	842	1745	X2	22
浅灰色 Gray Blue	H 337 337	—	1721	XF20	145
白色 White Insignia	H 316 316	991	1745	X2	22
明灰白 Gray	H 61 35	907	1731	—	146

PAINT REFERENCE COLOUR					
Color	Mr.Hobby	Vallejo	Model Master	Tamiya	Humbrol
烧铁色 Burnt Iron	H 76 61	863	1795	X10	53
透明红 Clear Red	H 90 47	934	—	X27	—
透明绿 Clear Green	H 94	936	—	X25	—
黑色 Black	H 2 2	861	1747	X1	21

A Russian, Russian Air Force, Su-24M, RF-92245, 40 Red



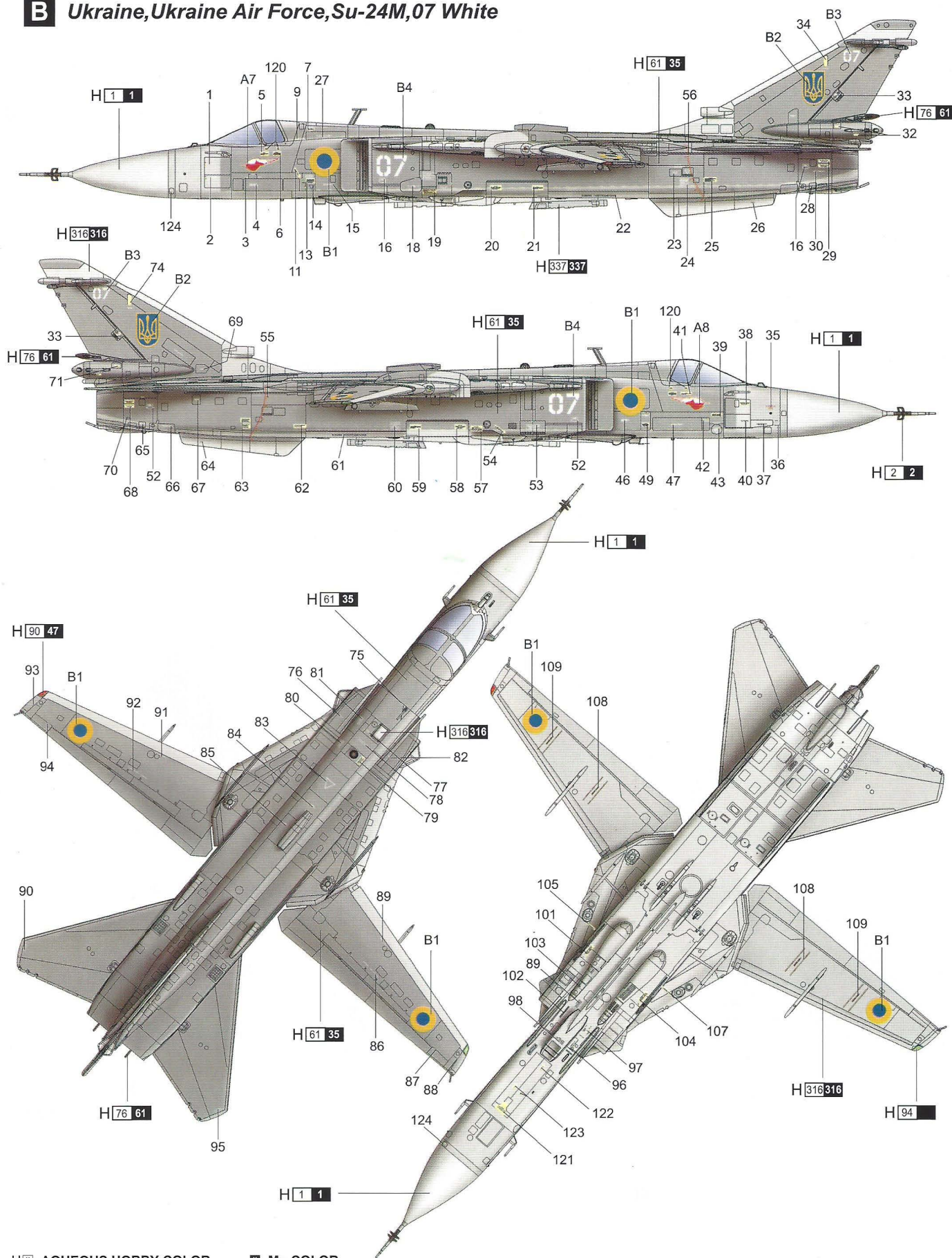
H [] AQUEOUS HOBBY COLOR [] Mr. COLOR

涂装同标贴指示 Painting & Marking guide

PAINT REFERENCE COLOUR					
Color	Mr.Hobby	Vallejo	Model Master	Tamiya	Humbrol
白色 White	H 1 1	842	1745	X2	22
浅灰色 Gray Blue	H 337 337	-	1721	XF20	145
白色 White Insignia	H 316 316	991	1745	X2	22
明灰白 Gray	H 61 35	907	1731	-	146

PAINT REFERENCE COLOUR					
Color	Mr.Hobby	Vallejo	Model Master	Tamiya	Humbrol
烧铁色 Burnt Iron	H 76 61	863	1795	X10	53
透明红 Clear Red	H 90 47	934	-	X27	-
透明绿 Clear Green	H 94	936	-	X25	-
黑色 Black	H 2 2	861	1747	X1	21

B Ukraine, Ukraine Air Force, Su-24M, 07 White

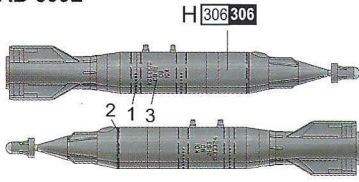


H AQUEOUS HOBBY COLOR Mr. COLOR

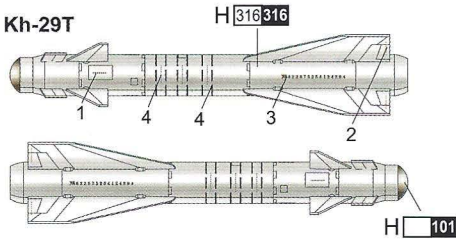
涂装同标贴指示 Painting & Marking guide

C

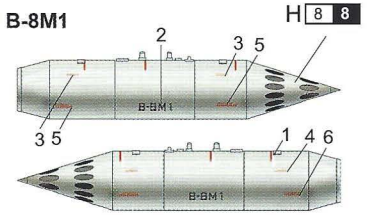
KAB-500L



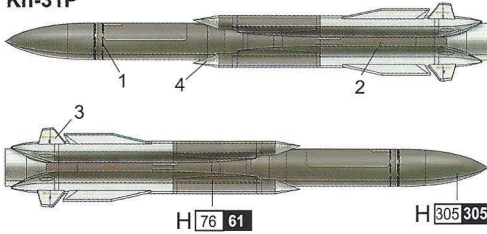
Kh-29T



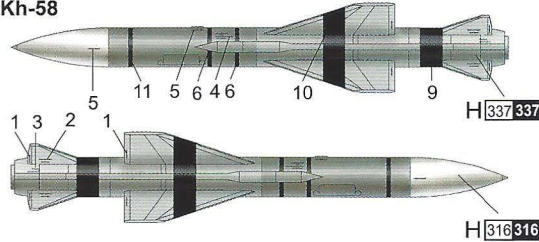
B-8M1



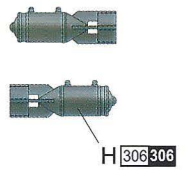
Kh-31P



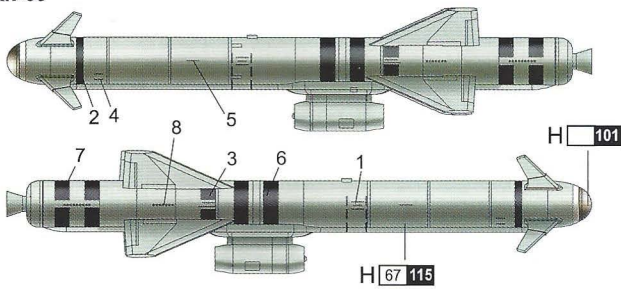
Kh-58



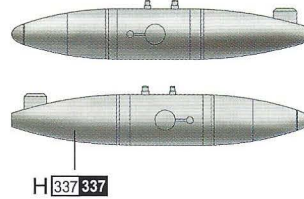
AB-100



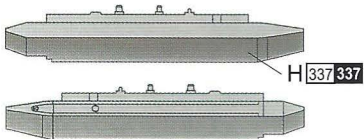
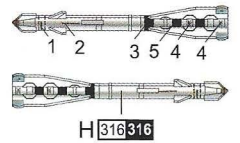
Kh-59



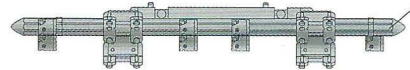
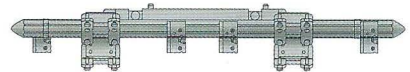
ZB-500



R-60MK

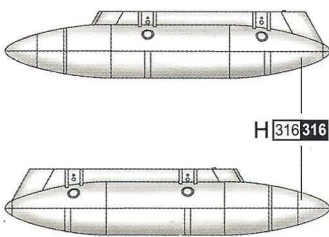


H 337 337

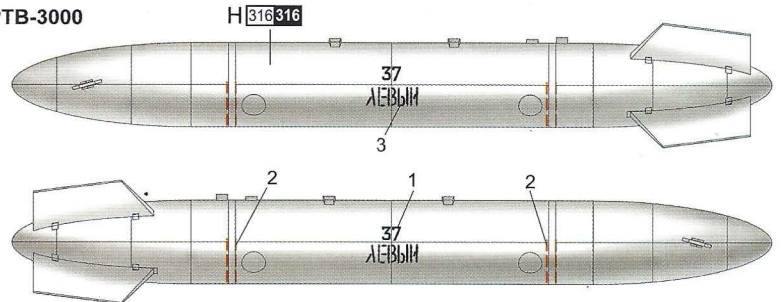


H 337 337

PTB-2000



PTB-3000

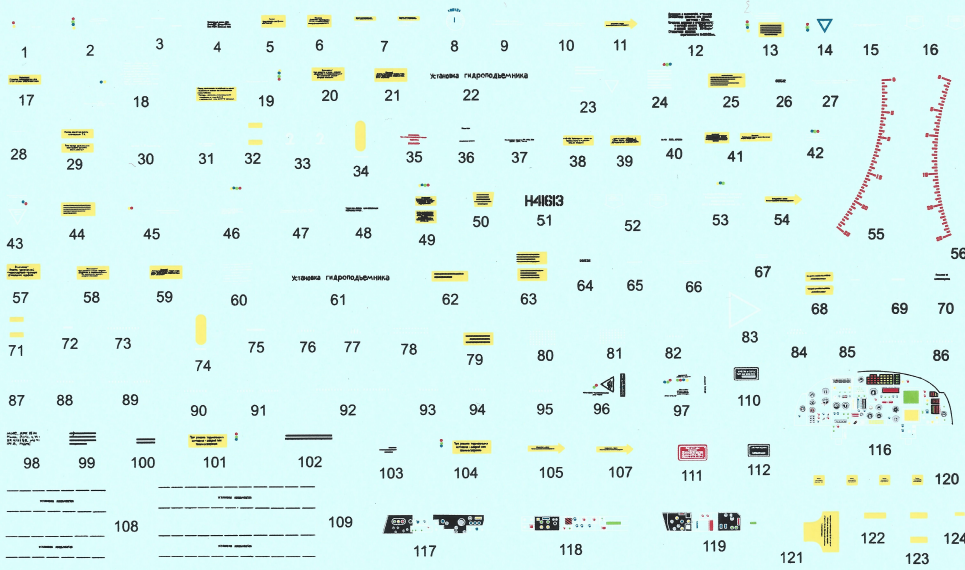
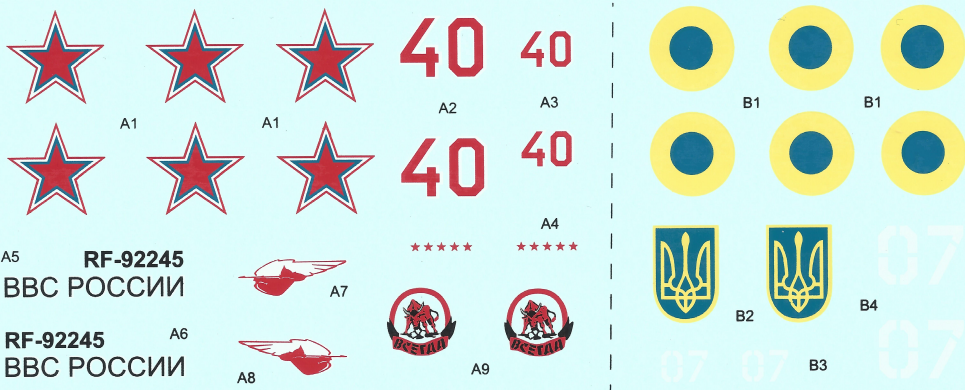


PAINT REFERENCE COLOUR

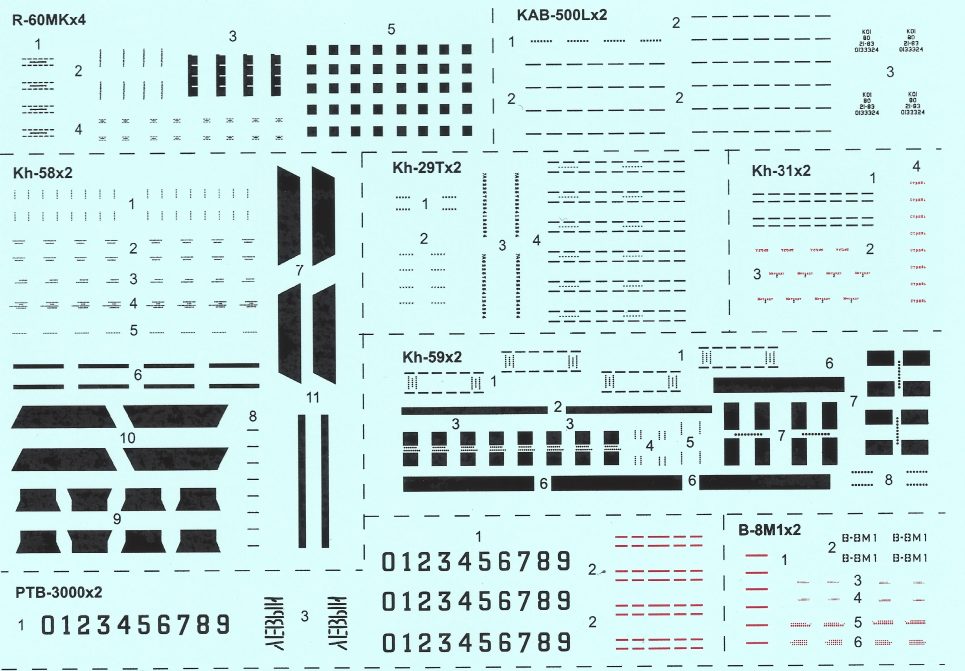
Color	Mr.Hobby	Vallejo	Model Master	Tamiya	Humbrol	Color	Mr.Hobby	Vallejo	Model Master	Tamiya	Humbrol
白色 White Insignia	H 316 316	991	1745	X2	22	灰色 Medium Grey	H 306 306	870	1725	XF20	—
银色 Silver	H 8 8	997	1546	X11	11	浅蓝色 Light Blue	H 67 115	906	—	XF23	65
烟灰色 Smoke Blue	H 95 101	—	—	—	—	烧铁色 Burnt Iron	H 76 61	863	1795	X10	53
深灰色 Medium Gunship Grey	H 305 305	868	1723	XF58	125	浅灰色 Gray Blue	H 337 337	—	1721	XF20	145

H X AQUEOUS HOBBY COLOR

X Mr. COLOR



01673 1/72 Su-24M Fencer-D (A)



01673 1/72 Su-24M Fencer-D (B)