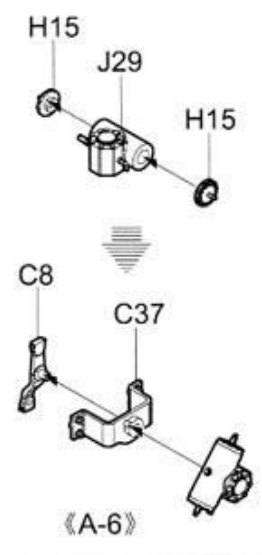
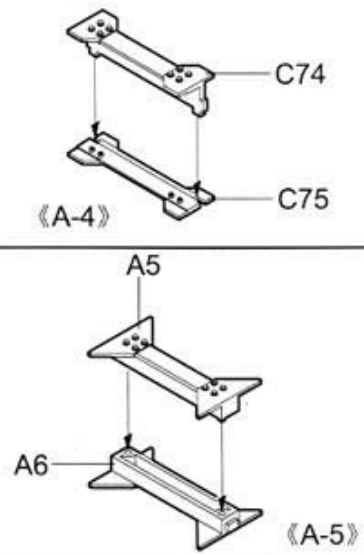
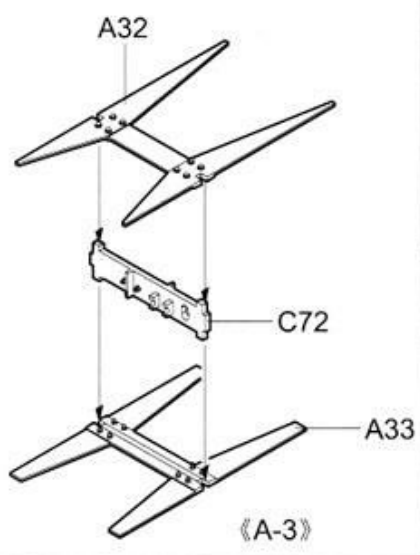
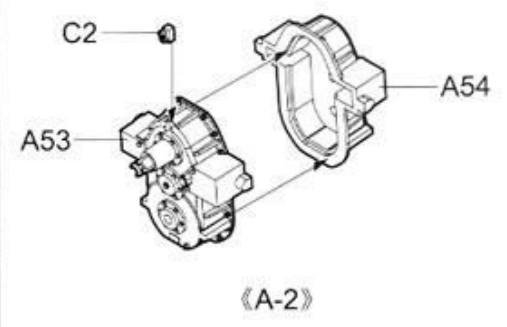
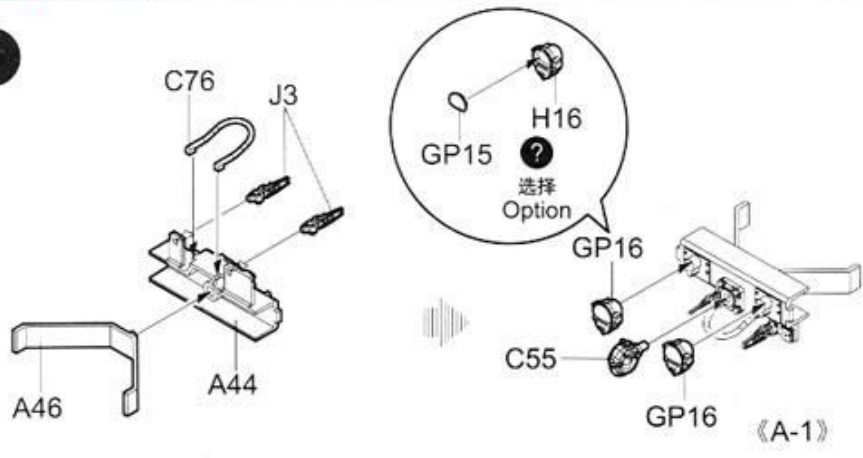
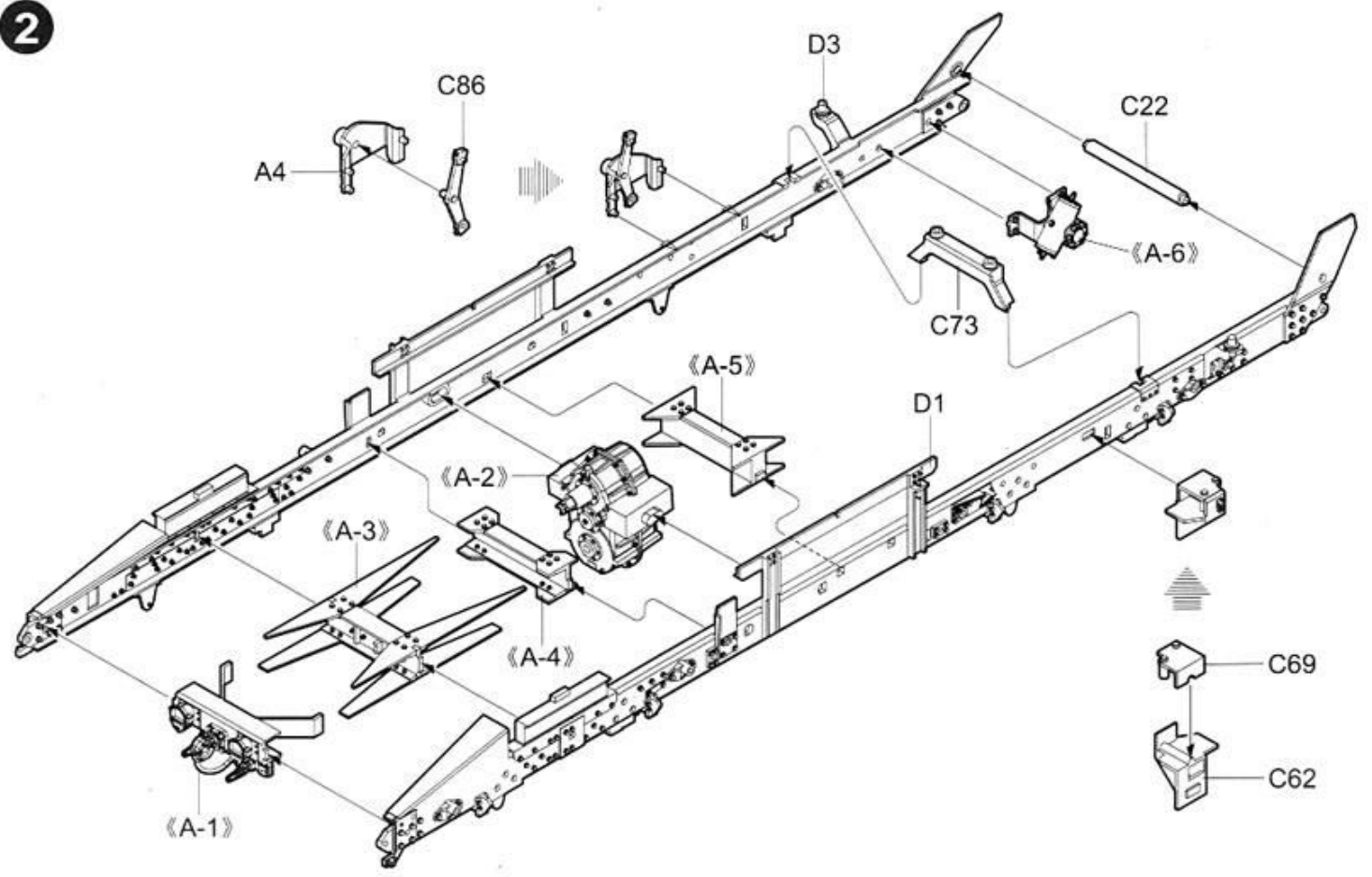


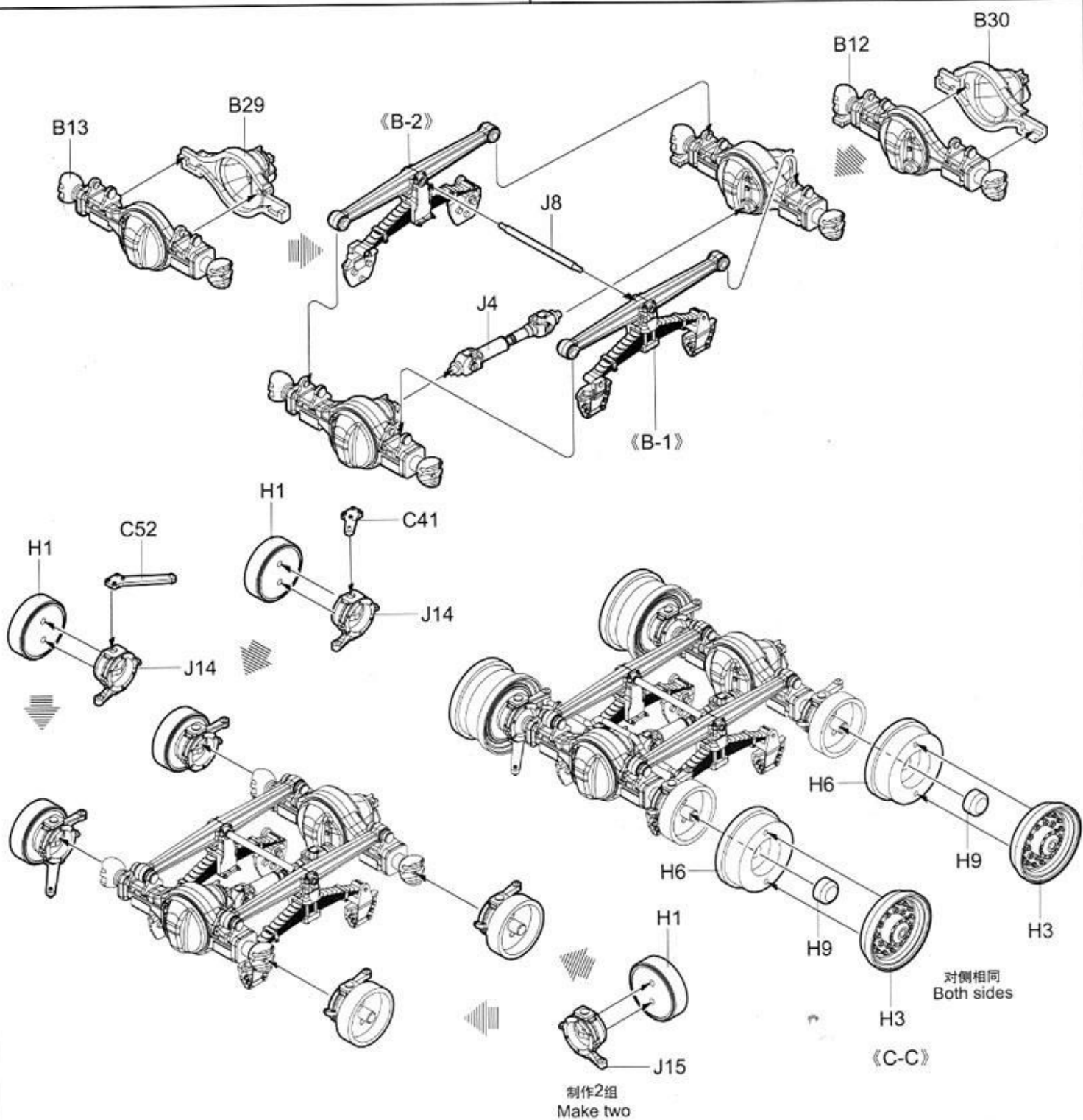
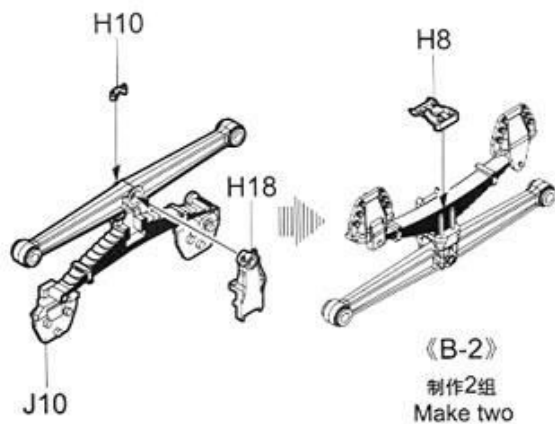
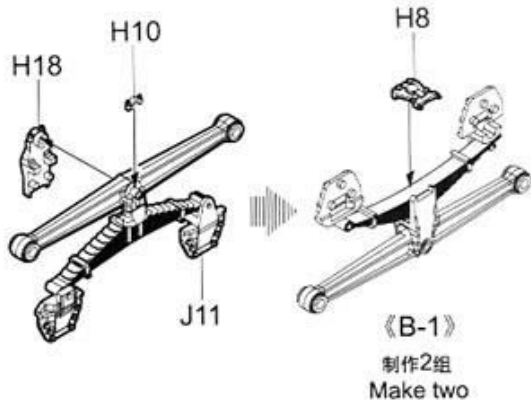
1



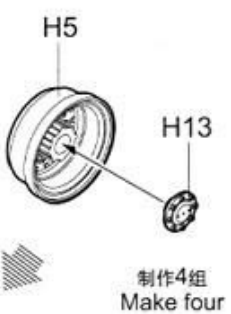
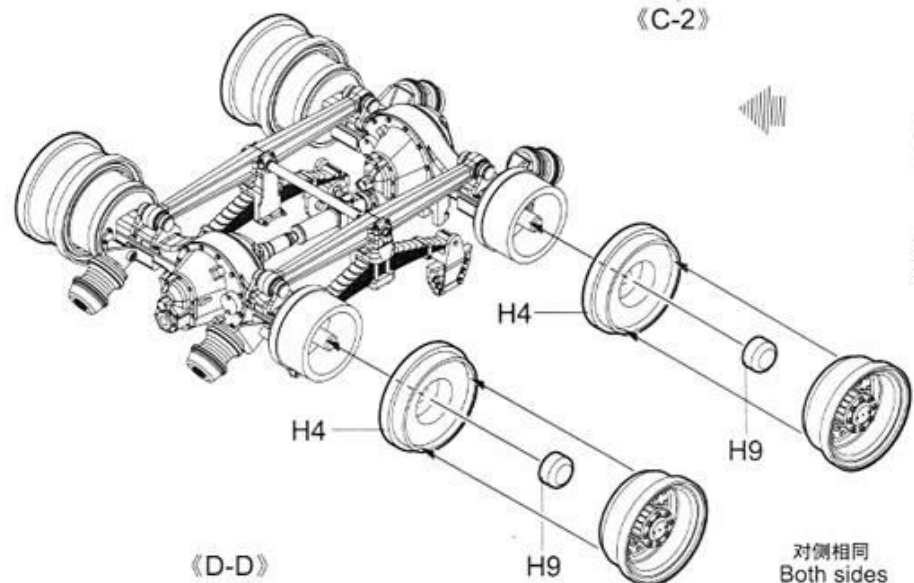
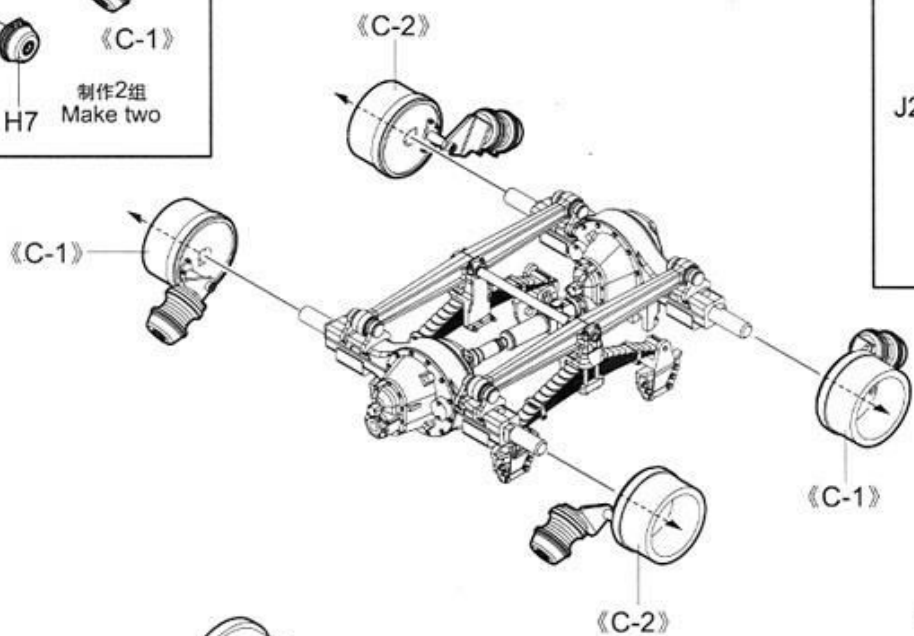
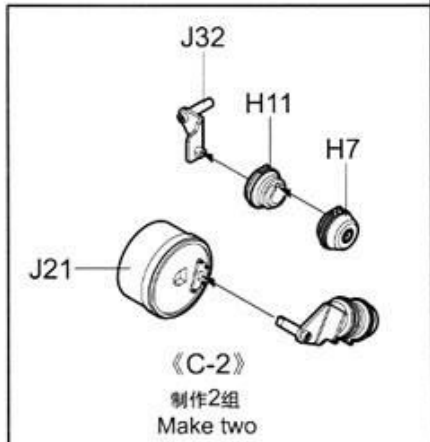
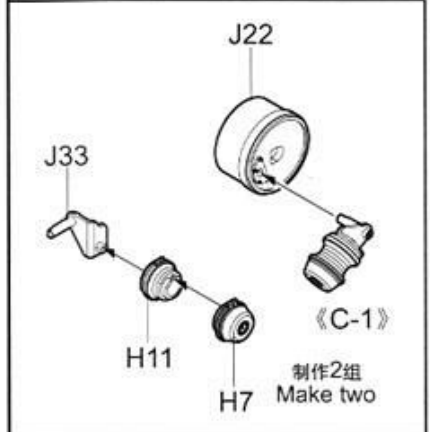
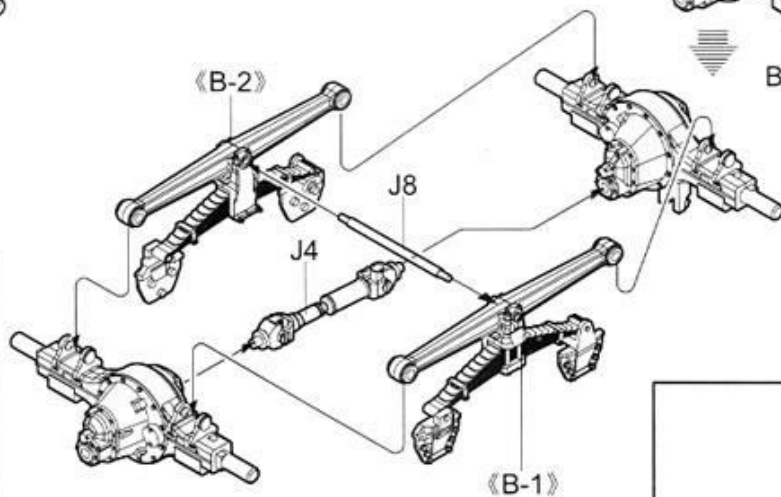
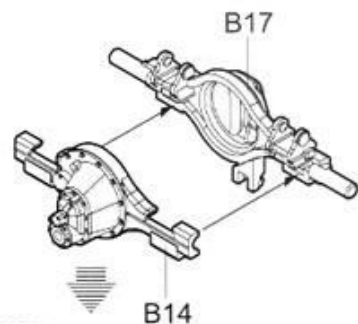
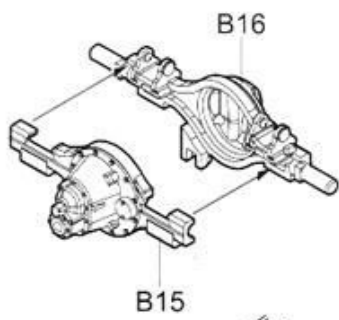
2



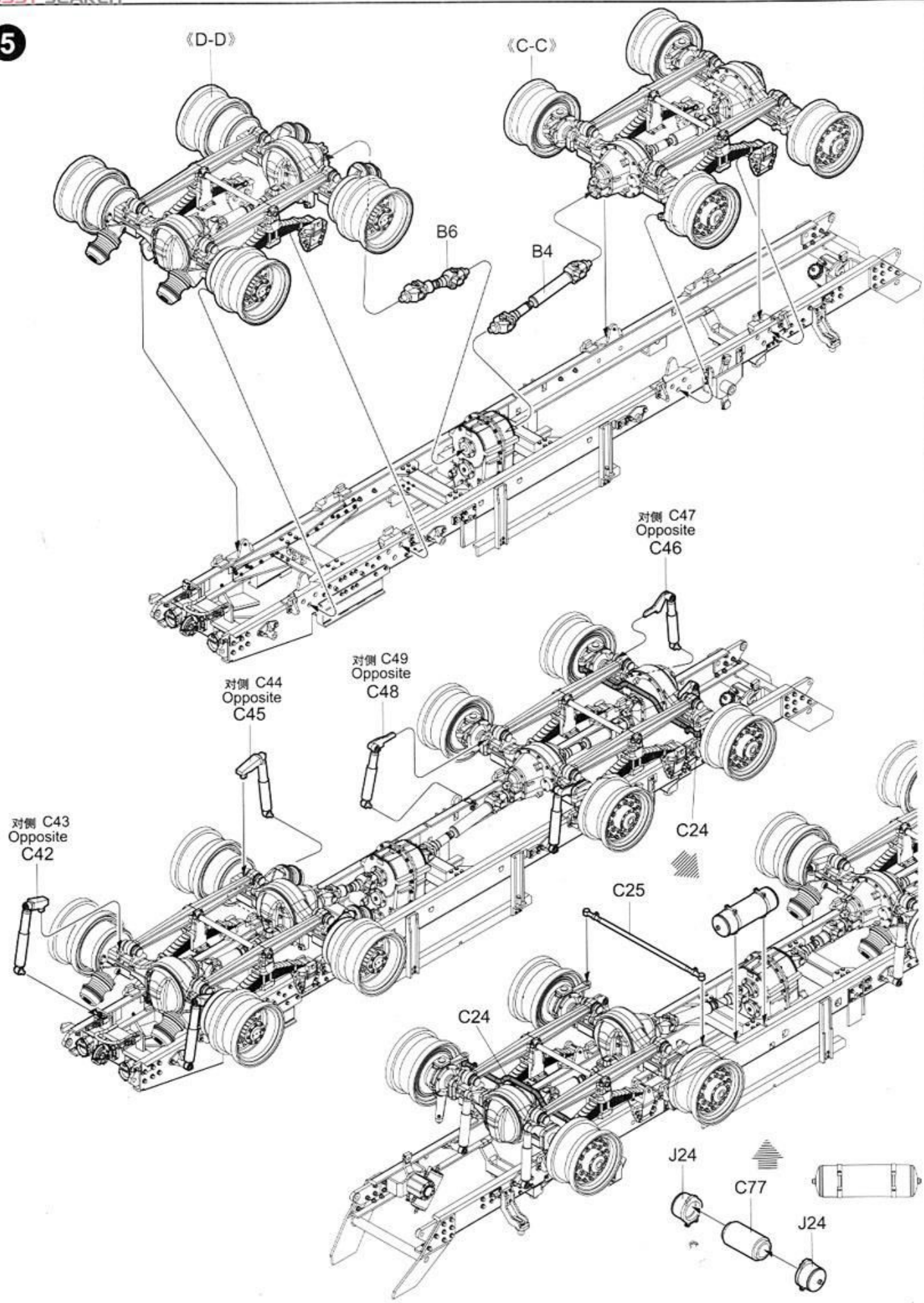
3



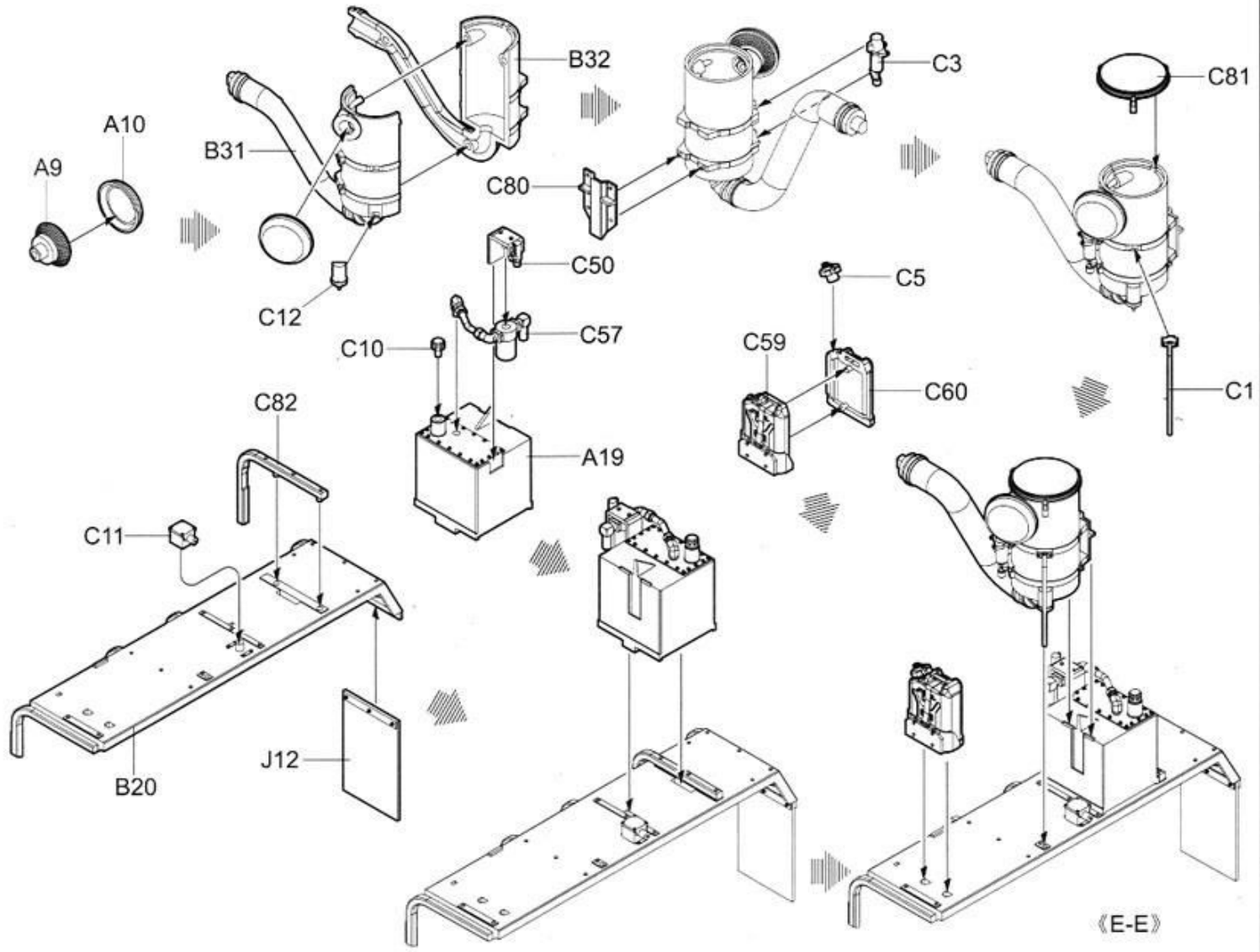
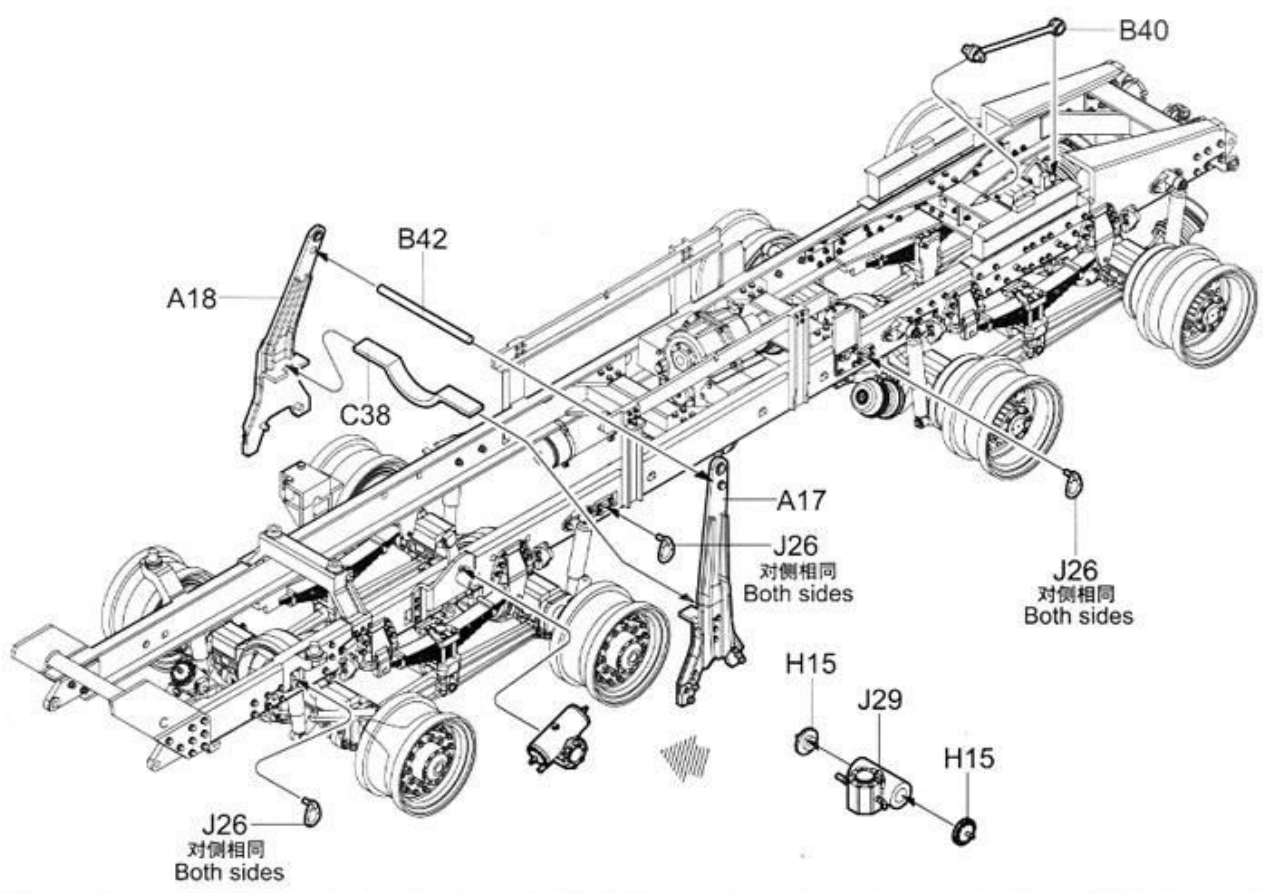
4



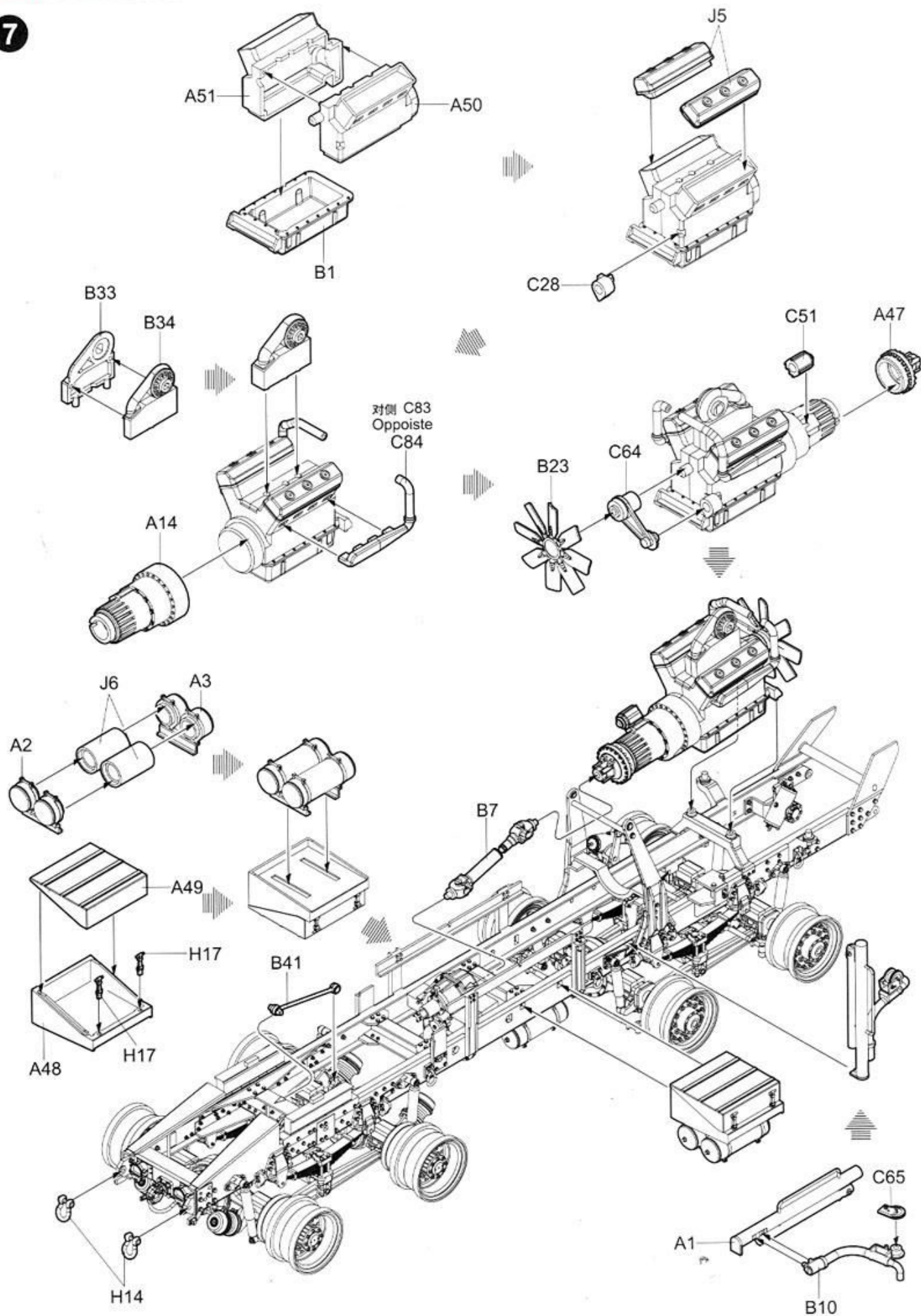
5



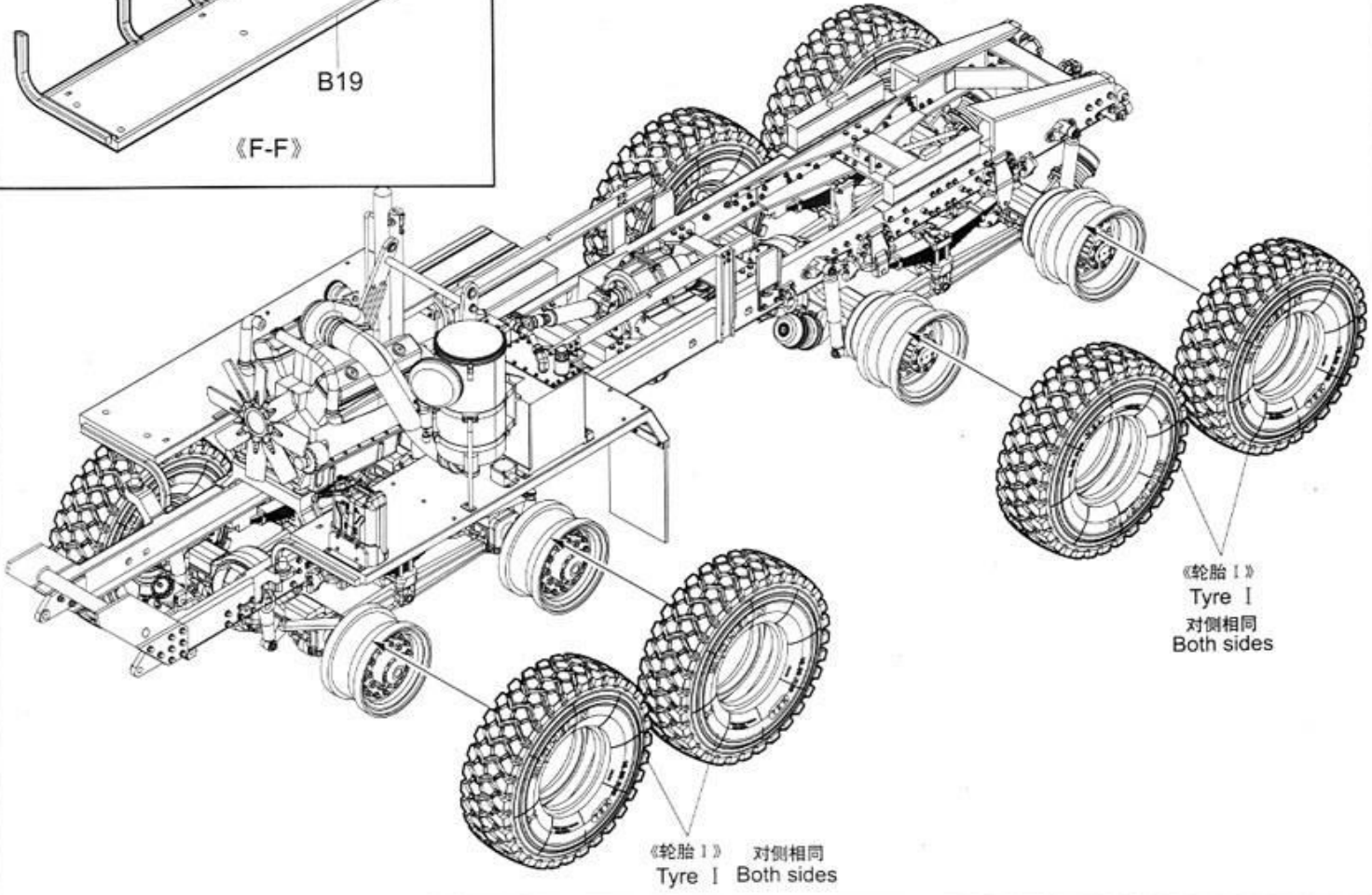
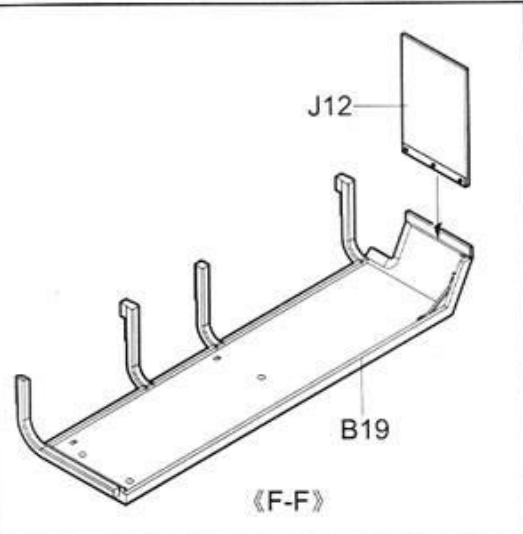
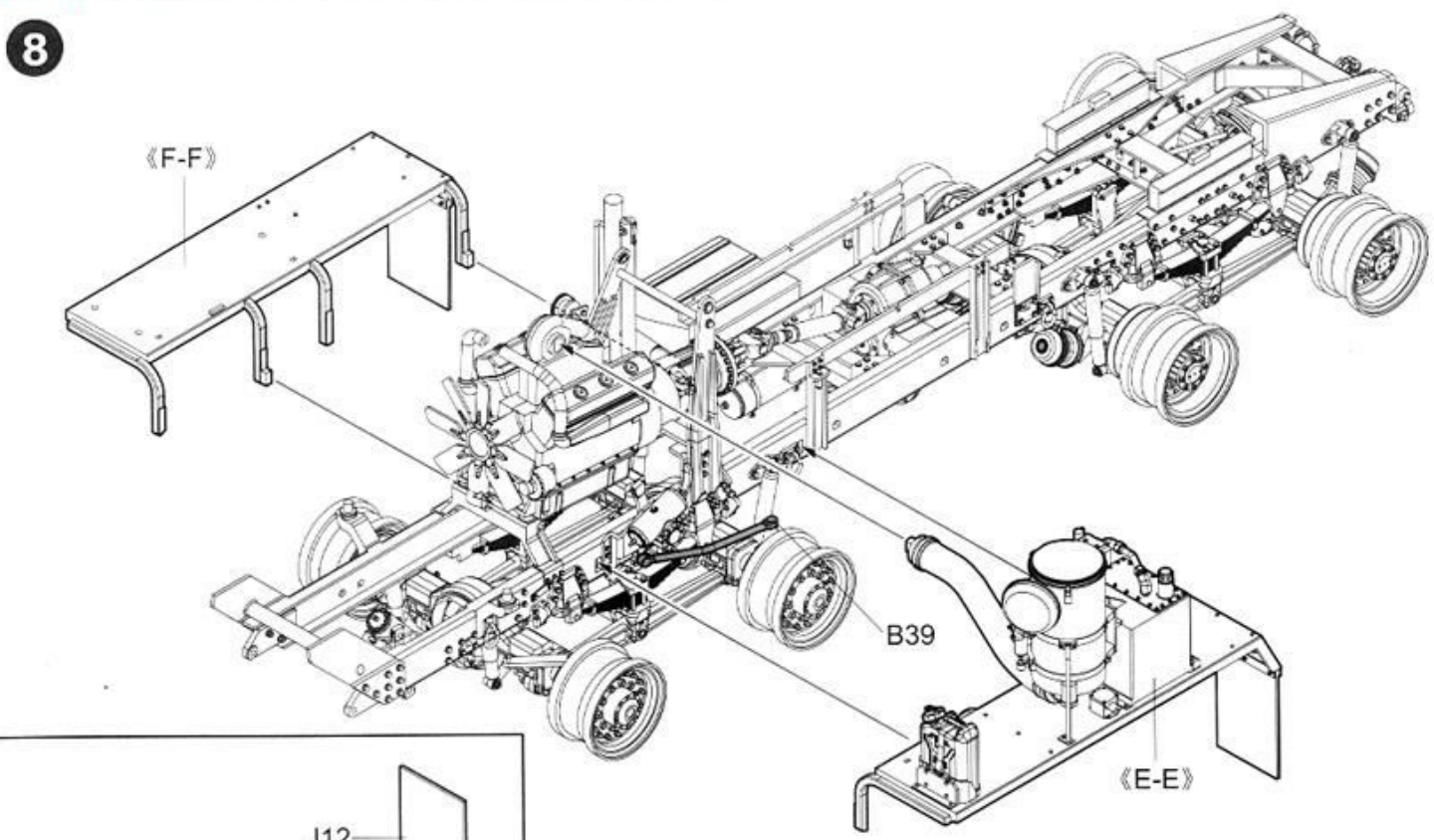
6



7



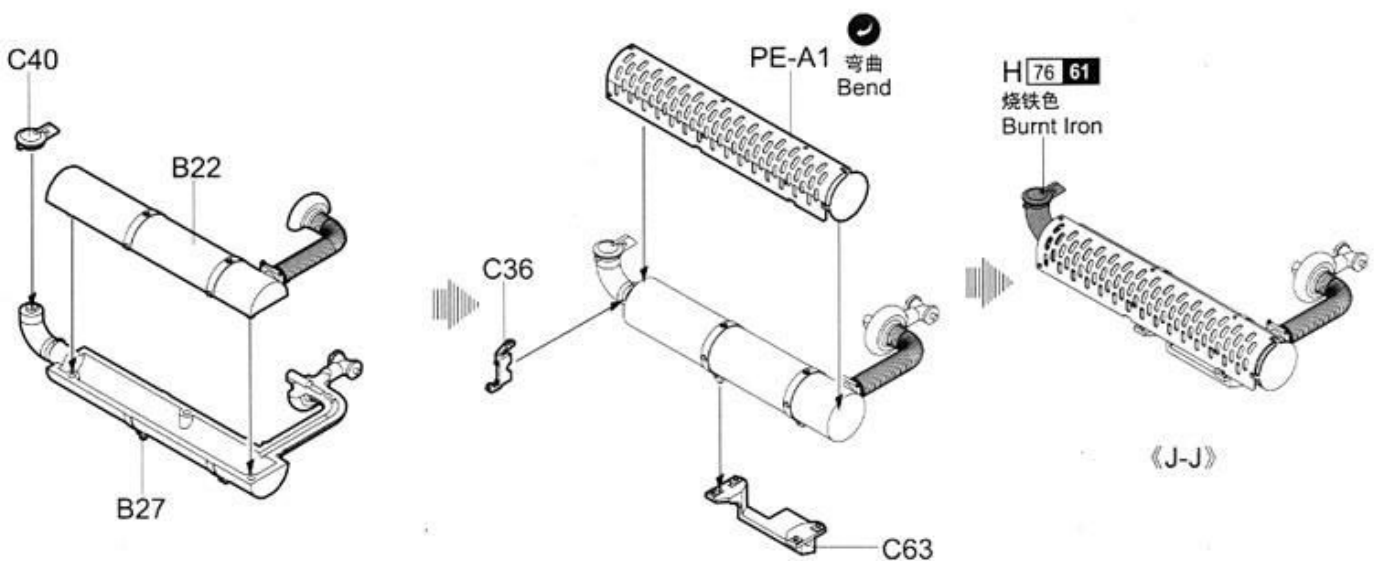
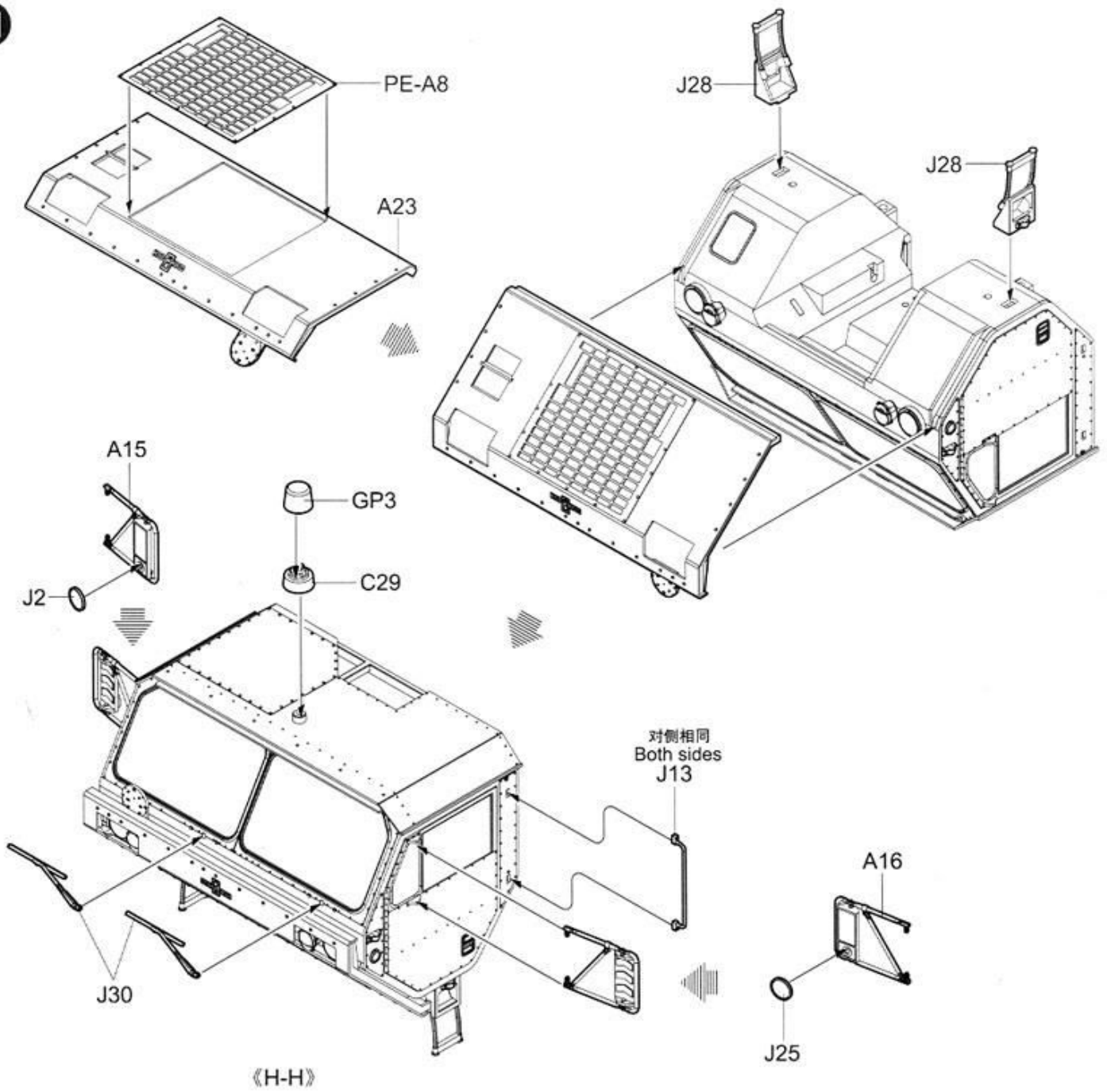
8



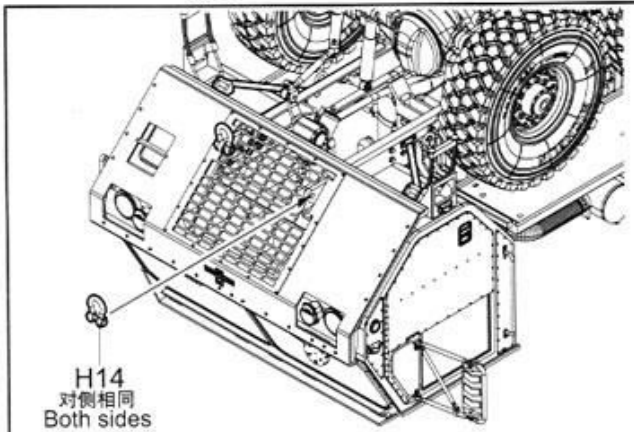
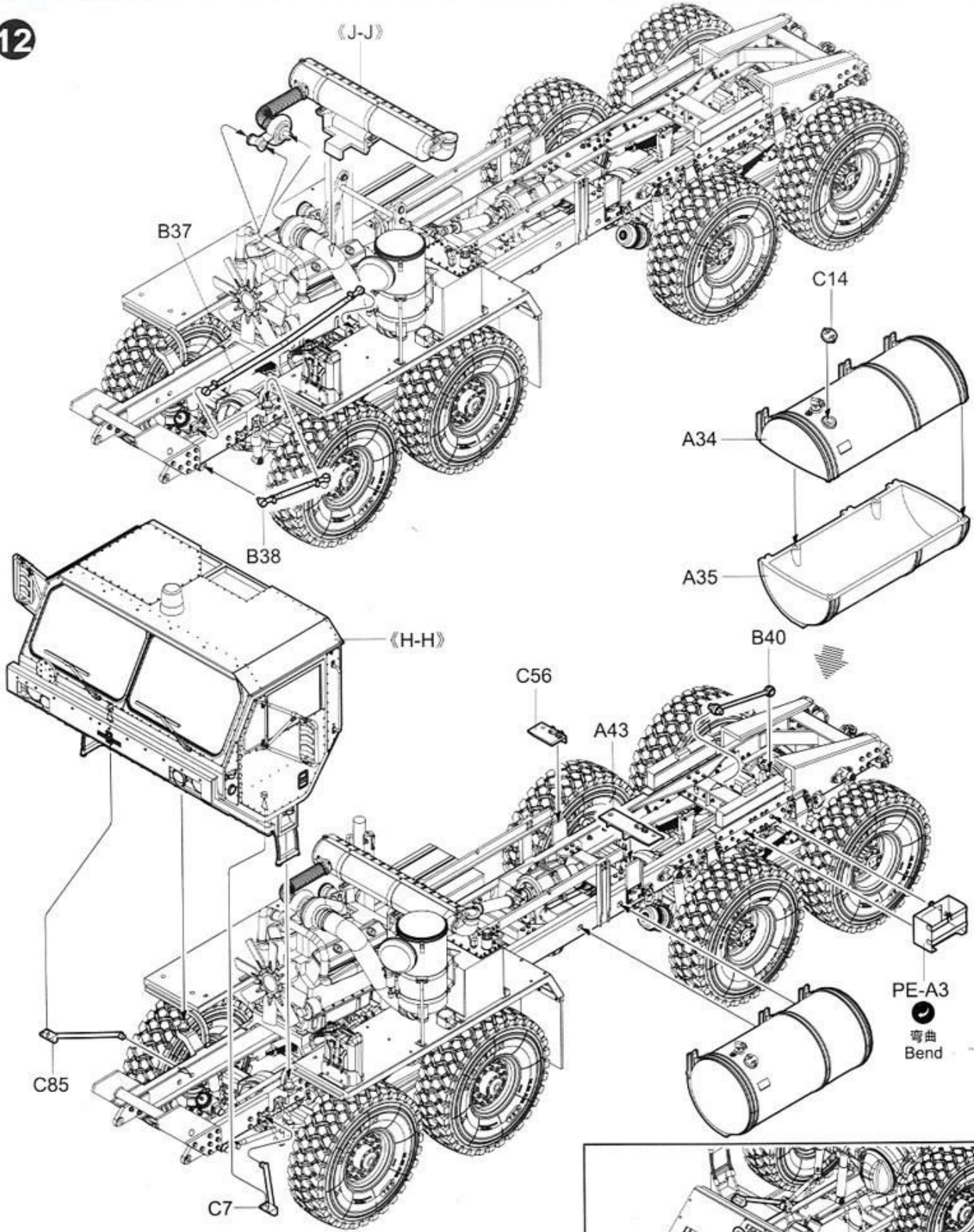




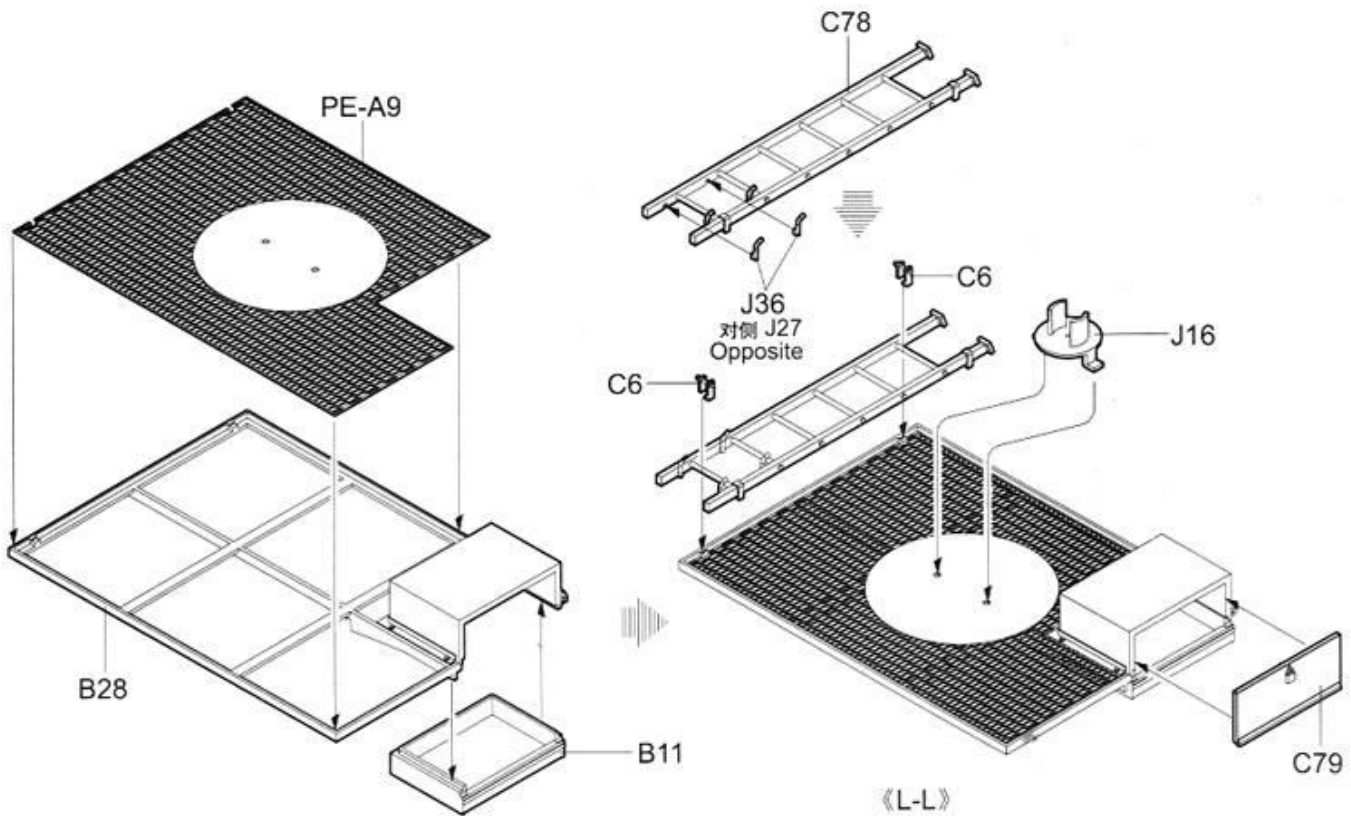
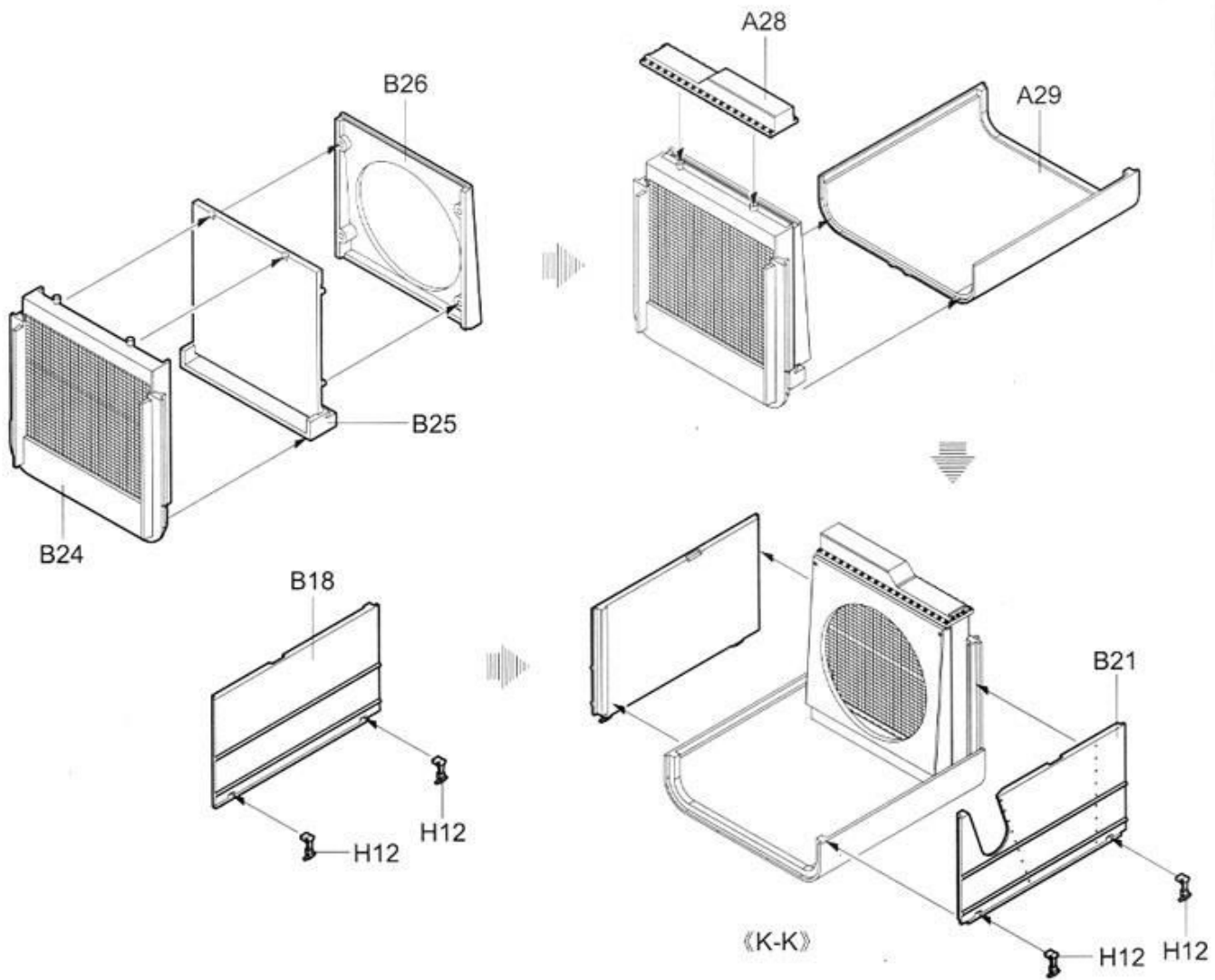
11



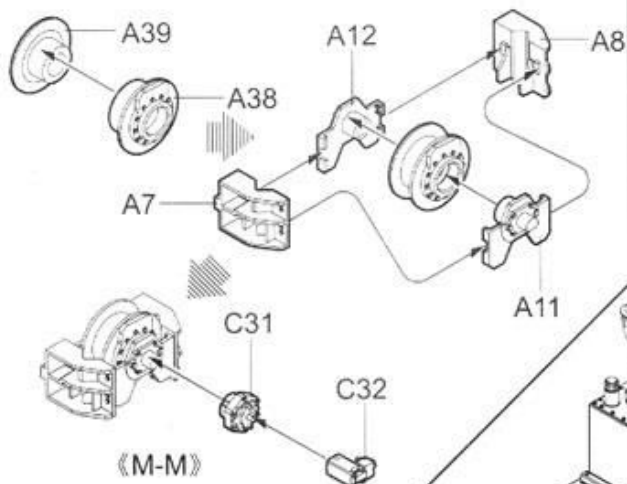
12



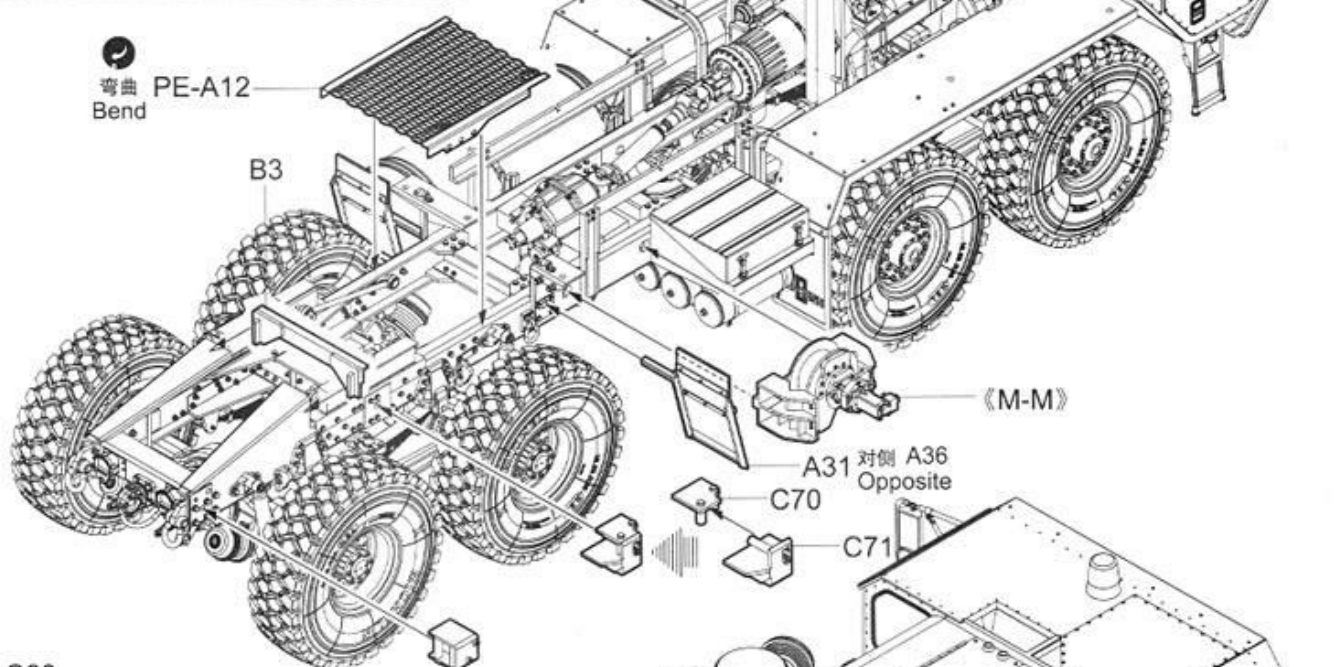
13



14

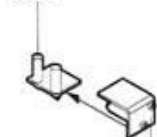


弯曲 PE-A12  
Bend



A31 对侧 A36  
Opposite

C68

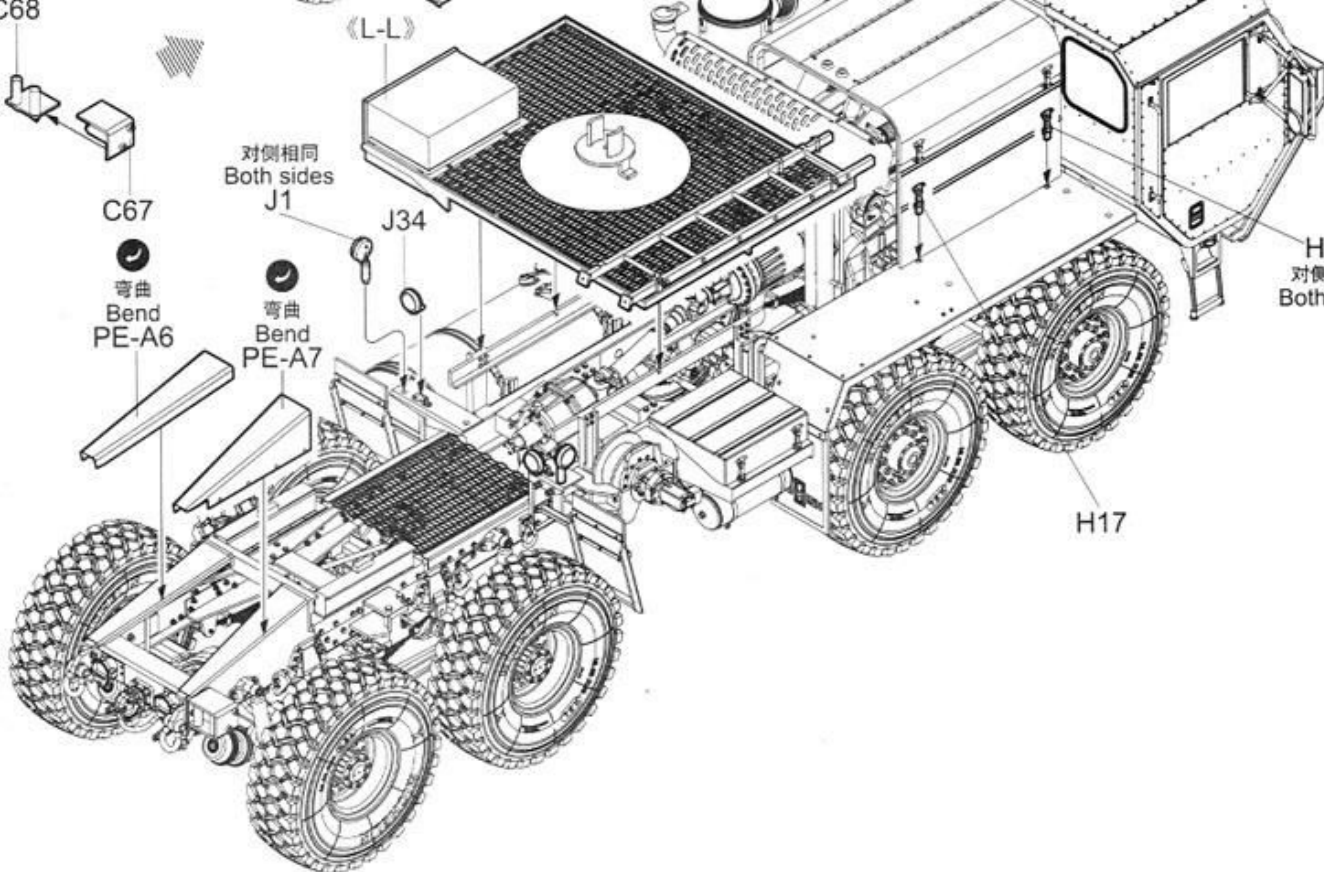


对侧相同  
Both sides

C67

弯曲 PE-A6  
Bend

弯曲 PE-A7  
Bend



H17  
对侧相同  
Both sides

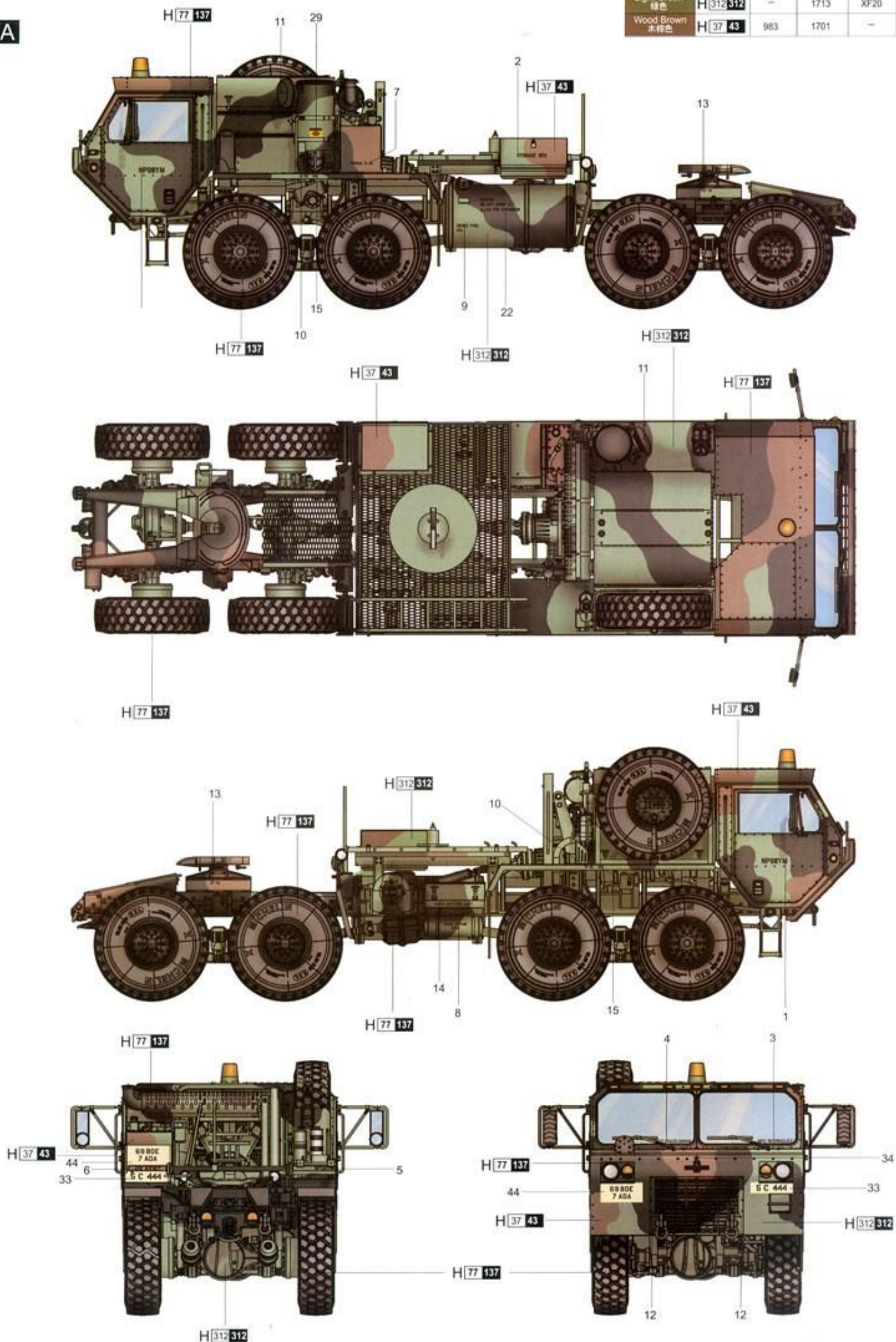
H17

涂装同标贴指示  
Painting & Marking guide

PAINT REFERENCE COLOUR

Color	Mr.Hobby	Vallejo	Model Master	Tamiya	Humbrol
Tire Black 胎黑色	H 77 137	-	-	-	-
Light Green 绿色	H 312 312	-	1713	XF20	117
Wood Brown 木棕色	H 37 43	983	1701	-	186

A



涂装同标贴指示  
Painting & Marking guide

PAINT REFERENCE COLOUR

Color	Mr.Hobby	Vallejo	Model Master	Tamiya	Humbrol
Tire Black 胎黑色	H 77 137	-	-	-	-
Sandy brown 沙棕色	H 19	-	-	-	-

**B**

