

# Russian ZSU-57-2 SPAAG

## 俄罗斯ZSU-57-2自行防空火炮

### READ BEFORE ASSEMBLY:

- Study and understand these instructions thoroughly before beginning assembly
- When needed, remove photo-etch parts carefully using a modeling knife or photo etch sprue cutter, being careful not to damage or lose small parts.
- Take extra care in handling photo etch parts in order to avoid injury
- Apply instant cement sparingly to photo etch parts where instructed
- Tools recommended(not included in kit):Plastic and instant cements, sprue cutters,long nose pliers,modeling knife, small files, tweezers, pin vise & scissors. Soft cloth and sandpaper will also assist in construction
- Glue and paint are not included in the kit. Use plastic cement and hobby paints only. Color guide for purchasing paint is included in the kit.

### 装配之前仔细阅读

- 小心用模型锉刀锉平所有零件表面的注射浇口。
- 小心用刀片切下蚀刻片零件，不要遗失小零件。
- 用强力快干胶水粘合蚀刻片零件和金属轴。过量快干胶水使用可能导致可动零件会粘住，小心涂胶。
- 取蚀刻片时应特别注意安全，防止利边划伤手指。
- 某些零件表面需贴水上贴纸，请选择在装配的同时进行。
- 推荐模型工具(自备)：胶水，水口剪刀，长咀钳，刀片，锉刀，镊子，钳，钻，剪刀，瞬间快干胶。
- 软布同砂纸同时也应该是必备工具。
- 请使用塑料胶水和油漆，模型内不含。



配重  
Weight



使用强力胶  
Cyanoacrylate glue



钻孔  
Make hole



切除  
Cut / Remove



贴纸  
Decal



锉平  
File / Sand



选择  
Option



不涂胶水  
No cement



弯曲  
Bend

### 水贴纸的使用:

- 1.从水贴上剪下印花;
- 2.将印花放入温水中浸10秒,然后放在干净布上。
- 3.拿着印花纸板将印花移到模型上;
- 4.手指蘸水将印花移到适当的位置;
- 5.用软布轻压印花直至水干,汽泡消失

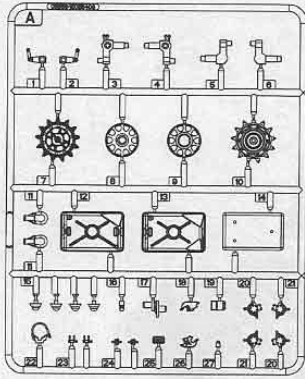
### DECAL APPLICATION

- 1.Cut decals from sheet as needed
- 2.Dip the decal in warm water for about 10 seconds and then place on soft clean cloth.
- 3.Hold the decal backing sheet edge and gently slide the decal onto the model in its proper position.

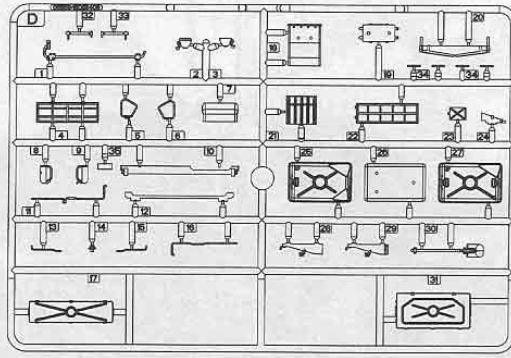
- 4.While still wet,decal can be adjusted for better fit on model by dampening it gently with your finger.
- 5.When placed in the proper position,gently press decal down with a soft cloth until excess water and air bubbles are gone.
- 6.Allow decal to dry completely before handling model

# 部品图 Parts

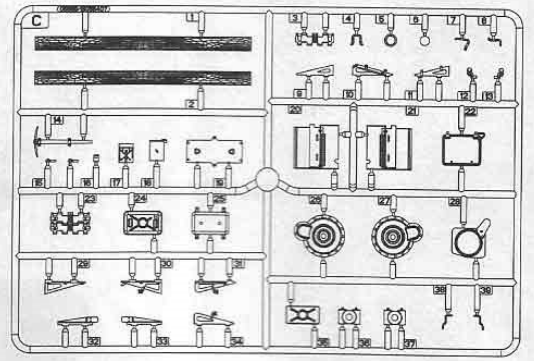
Ax2



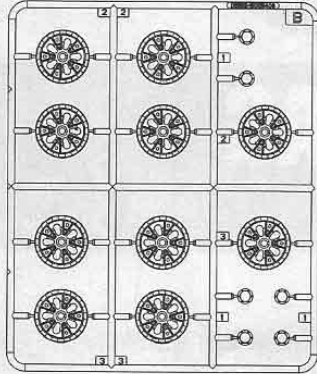
D



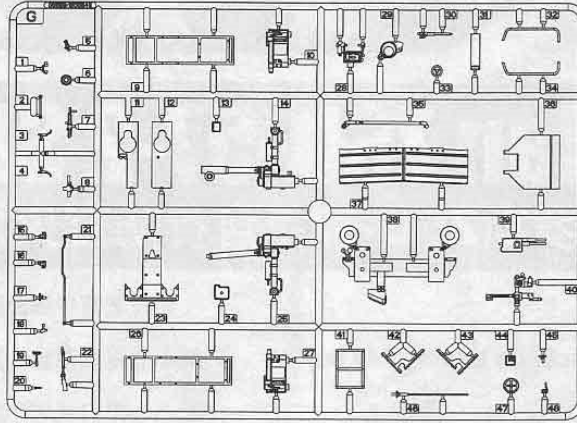
C



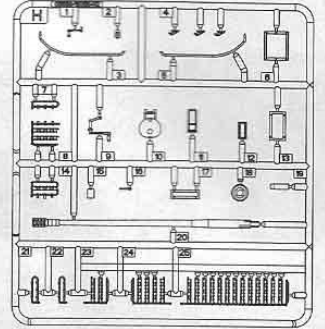
Bx2



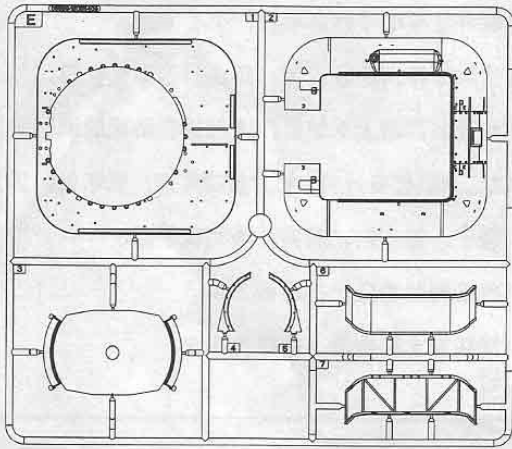
G



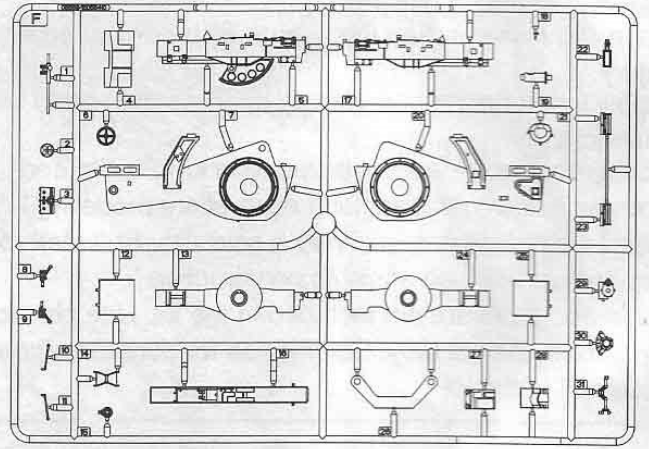
Hx2



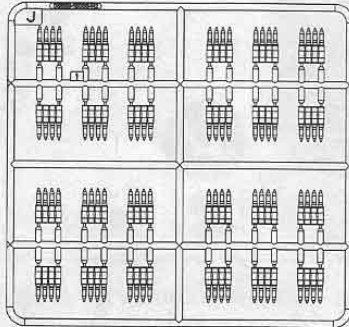
E



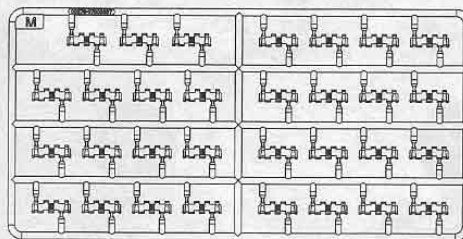
F



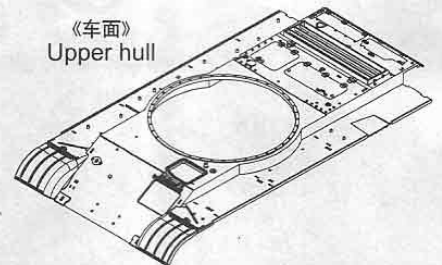
Jx2



Mx6



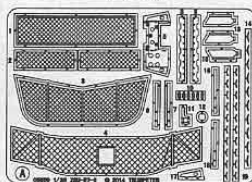
《车面》  
Upper hull



《铜缆》  $\phi 1.0 \times 300\text{mm}$   
Brass wire



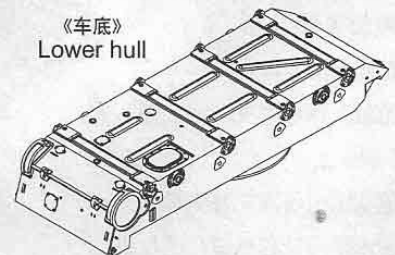
《蚀刻片A》  
PE-A



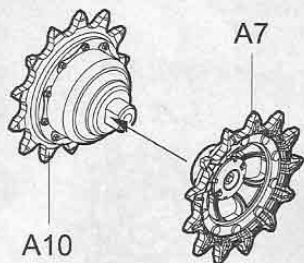
《水贴》  
Decal



《车底》  
Lower hull



1

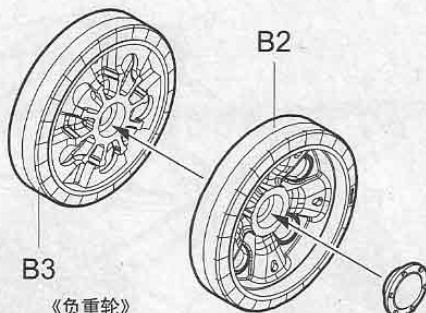


A10

A7

《主动轮》  
Sprocket wheels

制作2组  
Make two



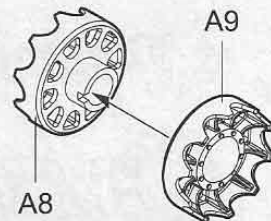
B3

B2

《负重轮》  
Road wheels

制作8组  
Make eight

B1



A8

A9

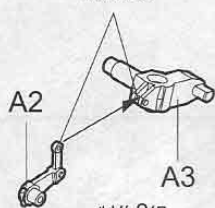
《诱导轮》  
Idler wheels

制作2组  
Make two

2



No cement  
不涂胶水

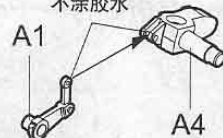


制作2组  
Make two

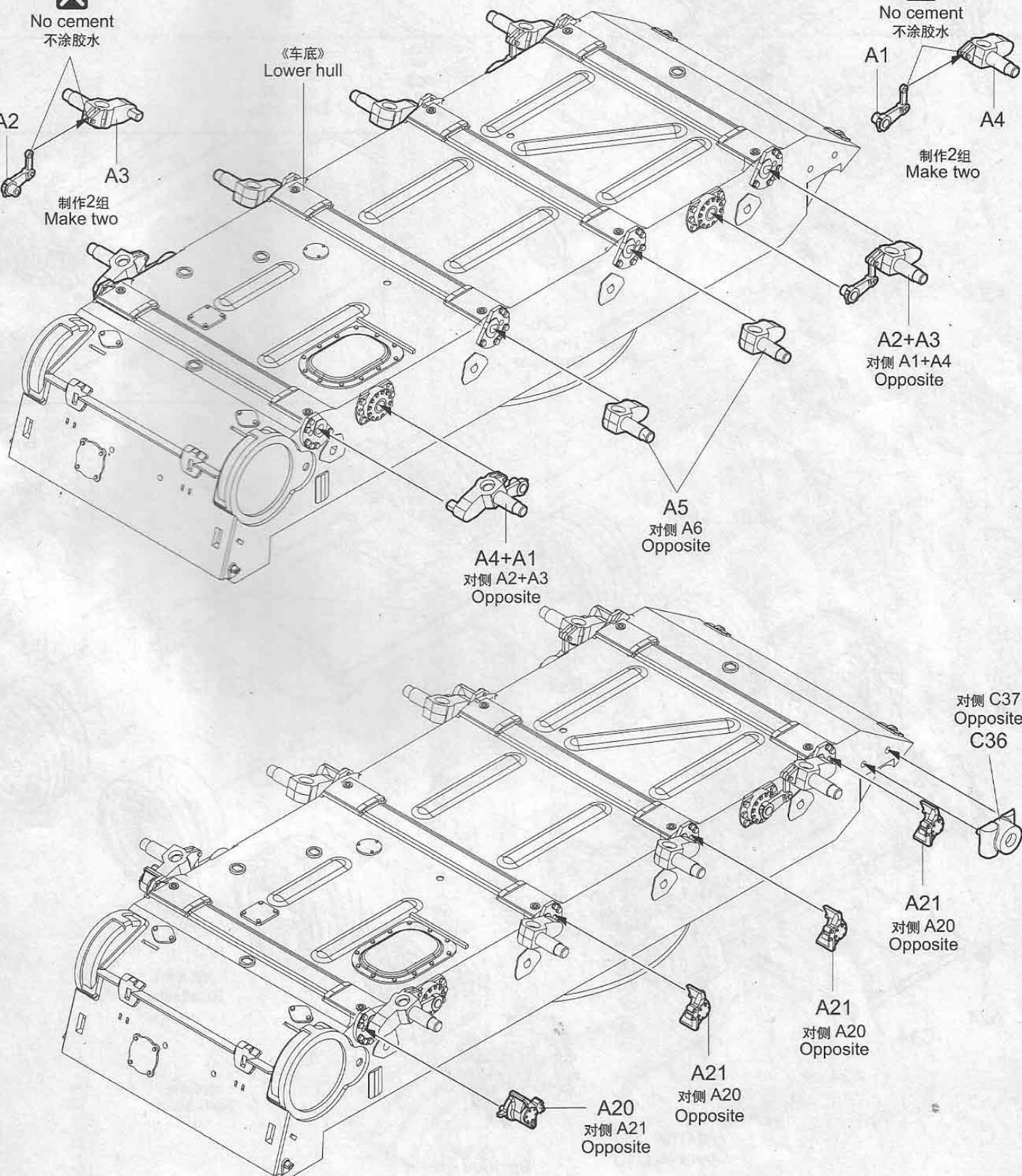
《车底》  
Lower hull



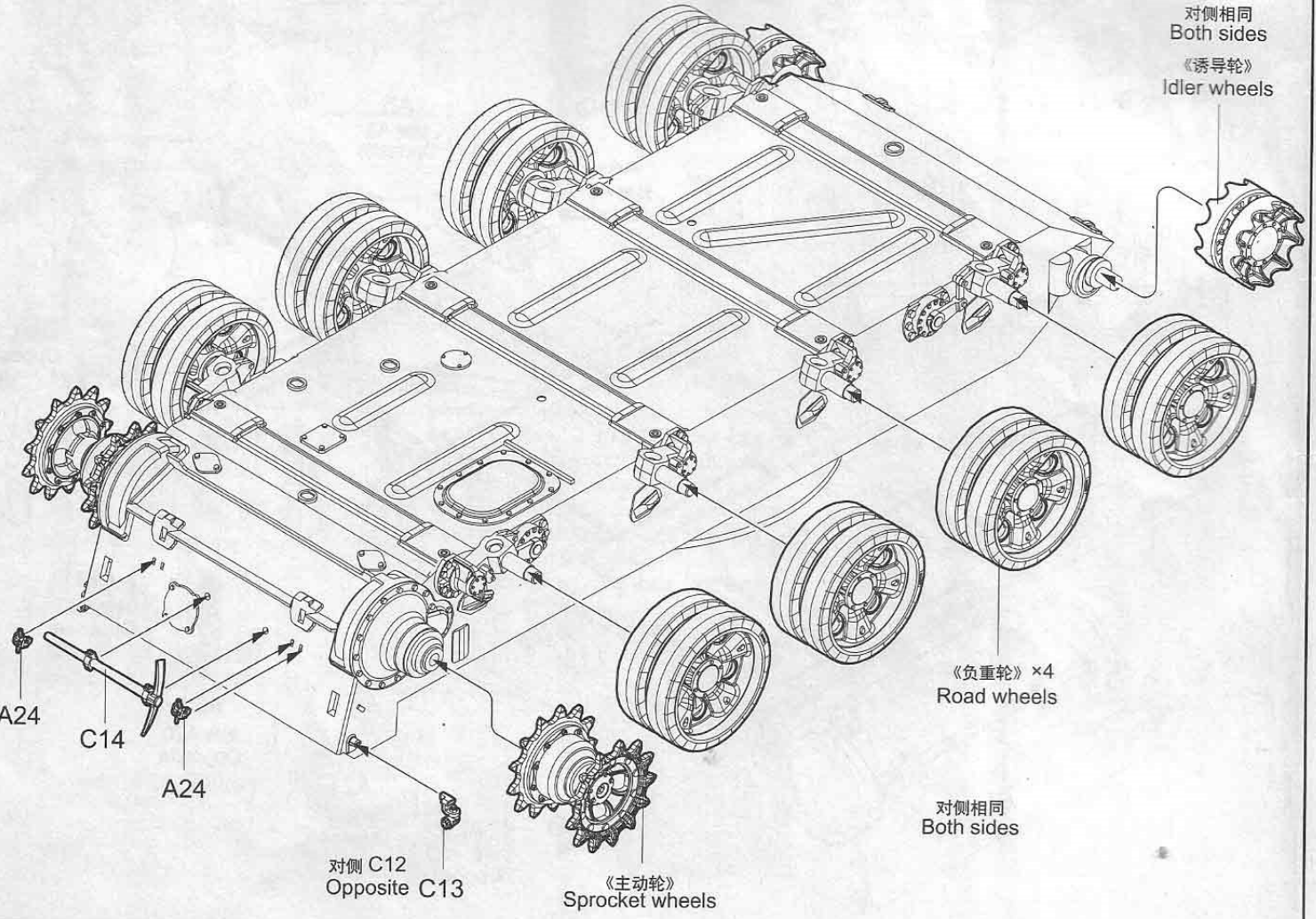
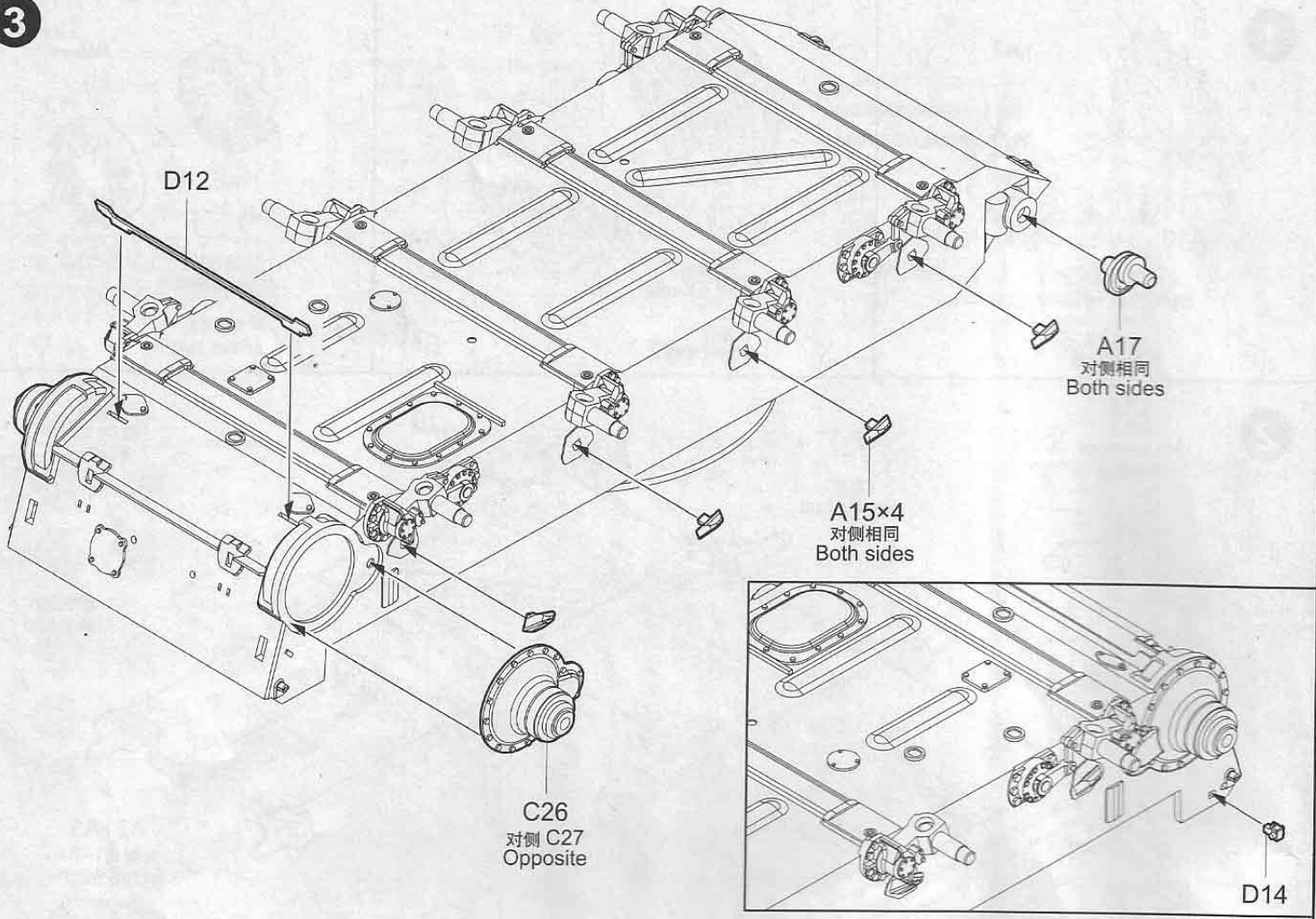
No cement  
不涂胶水



制作2组  
Make two

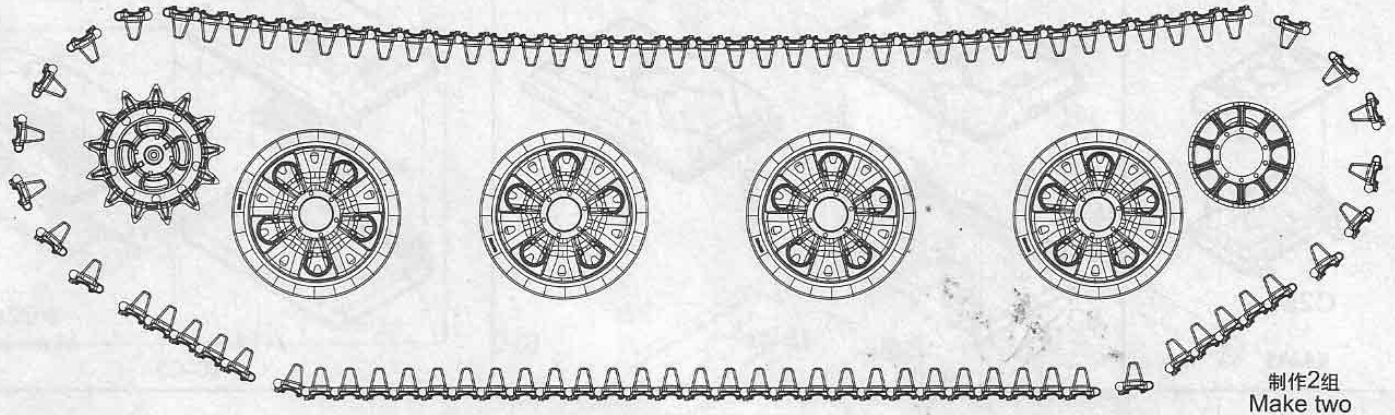


3



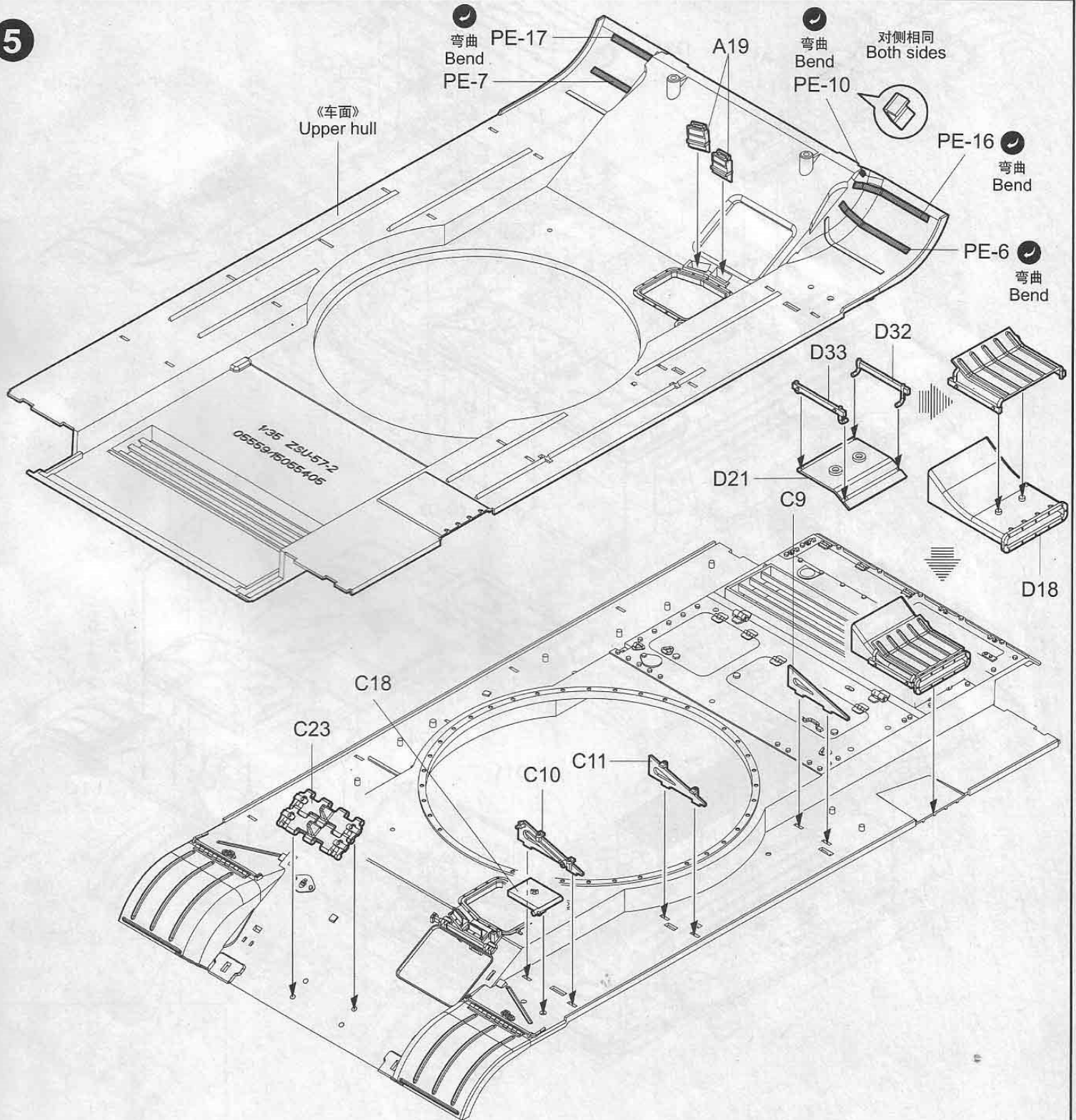
4

单侧履约需89节  
Complete track for one side require 89 links

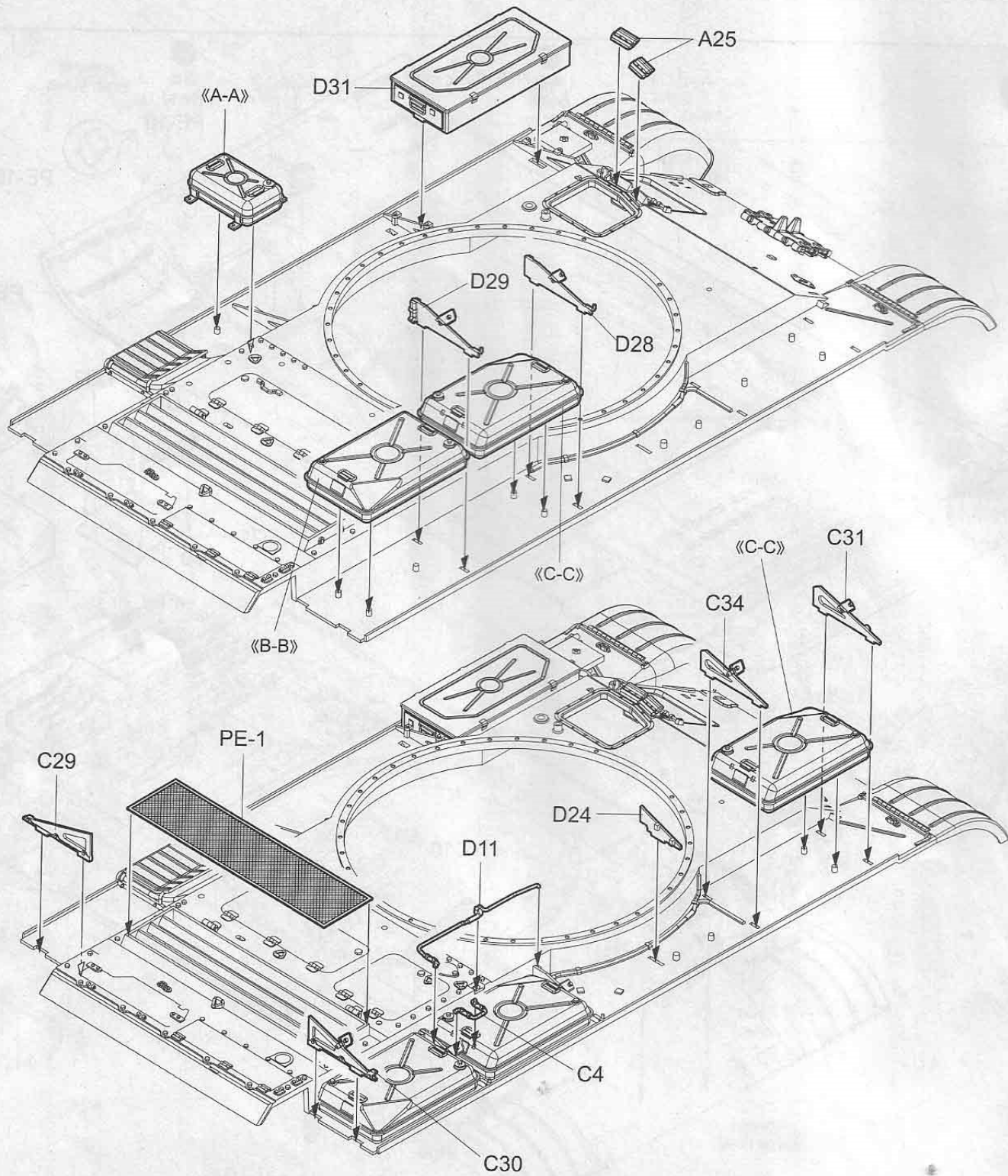
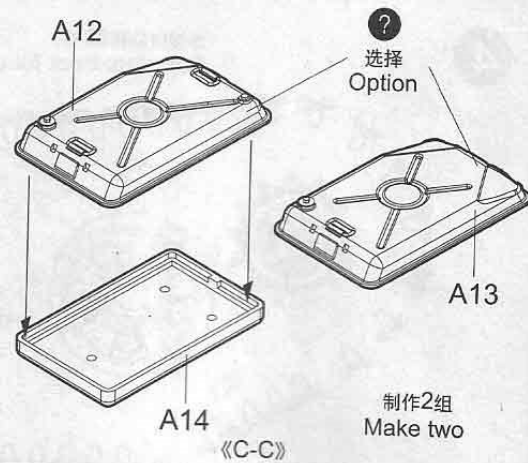
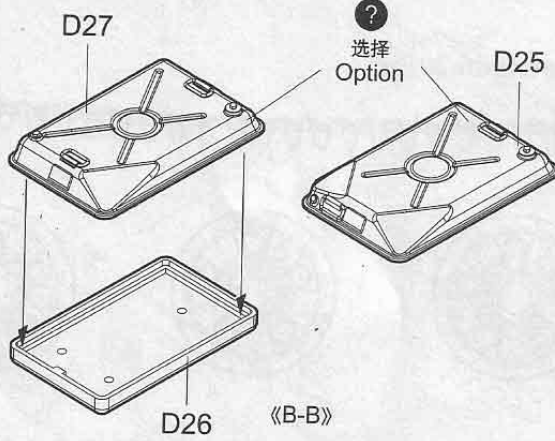
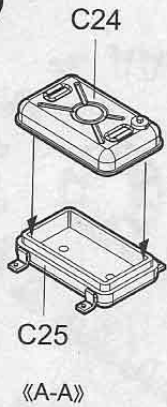


制作2组  
Make two

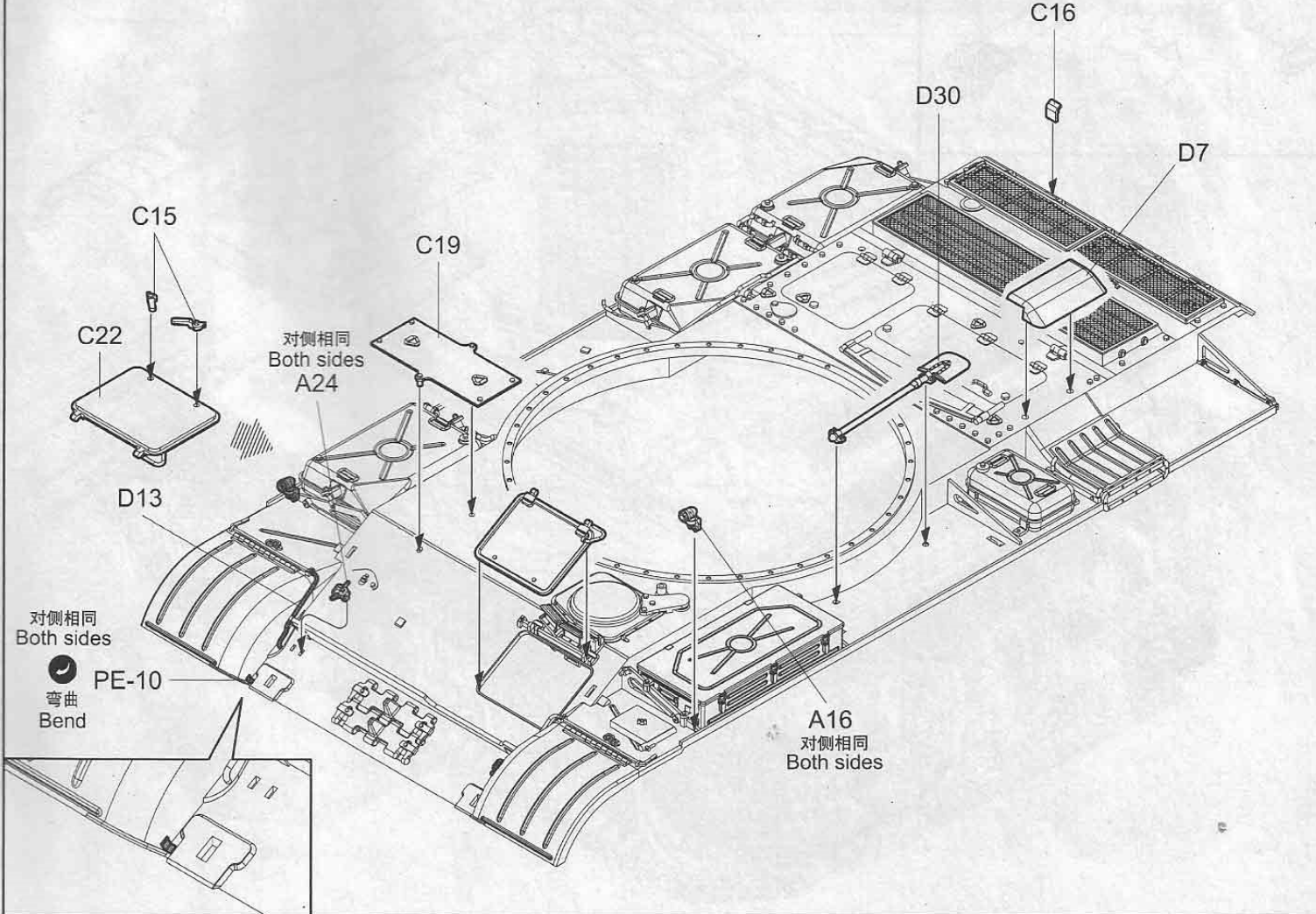
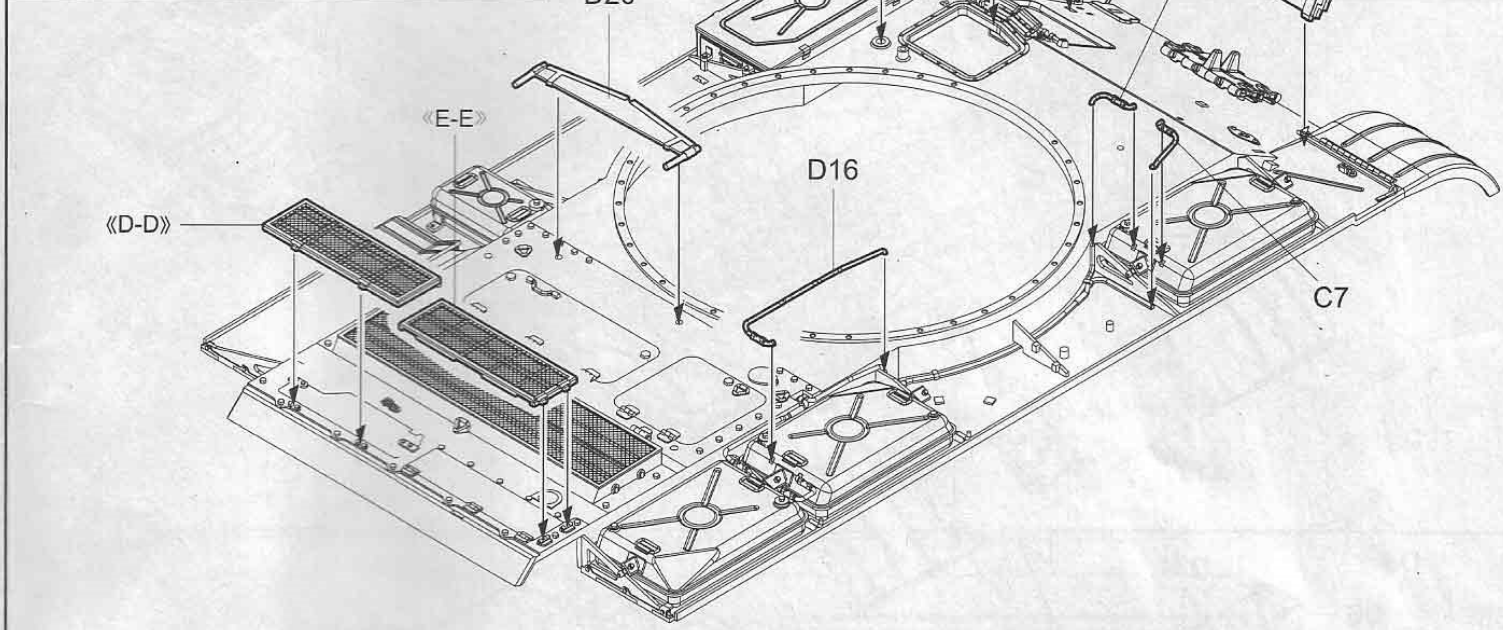
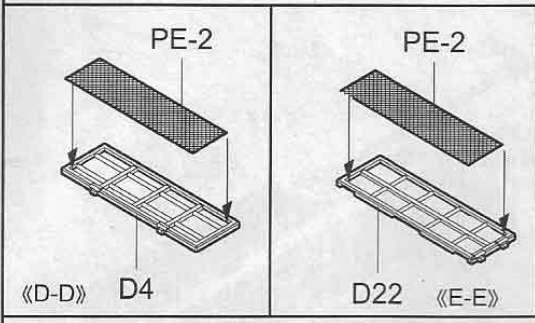
5



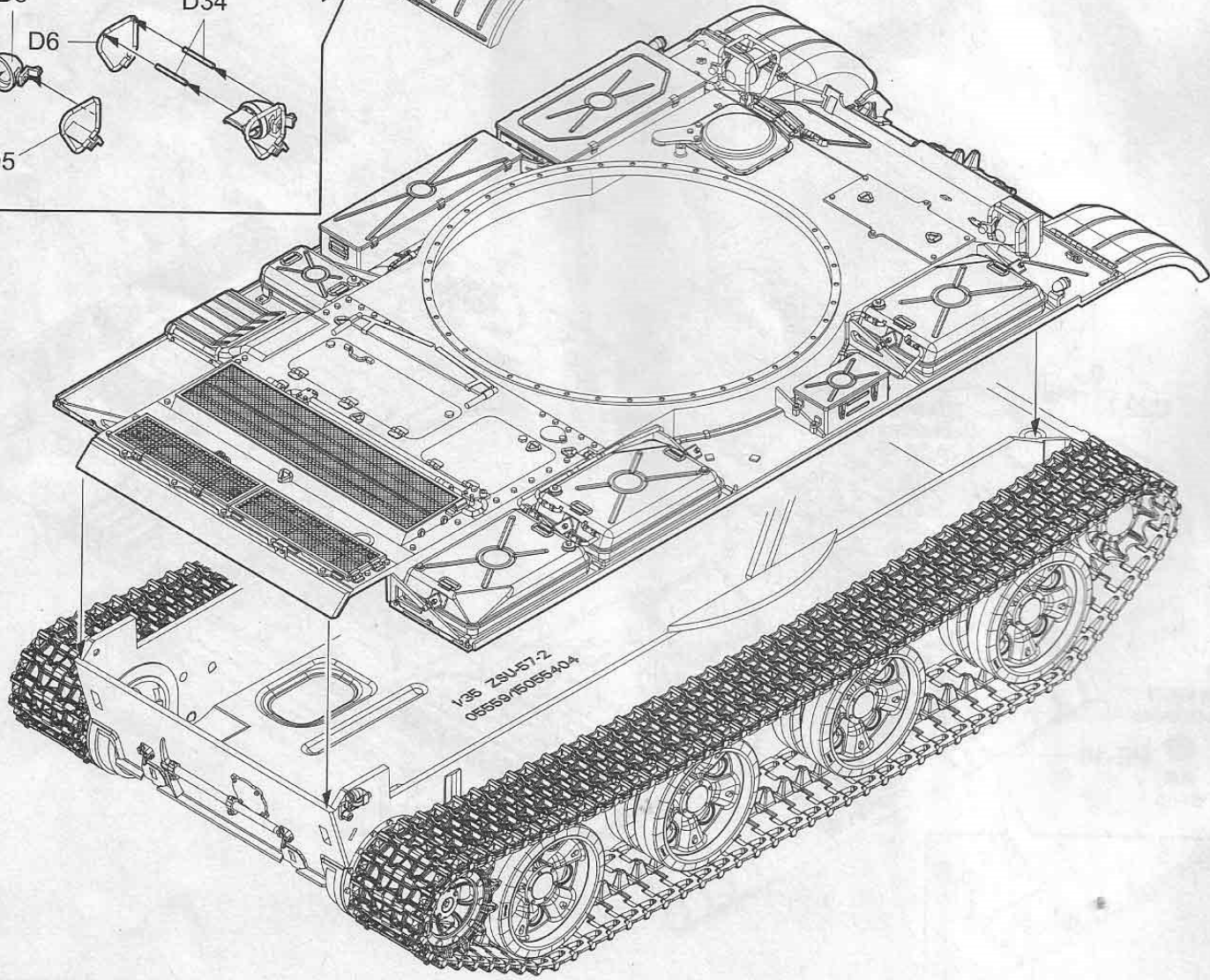
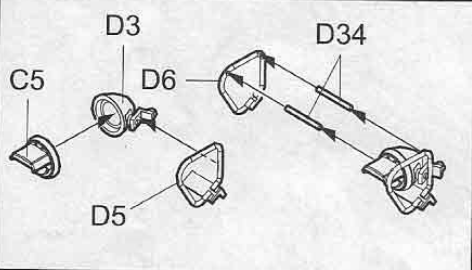
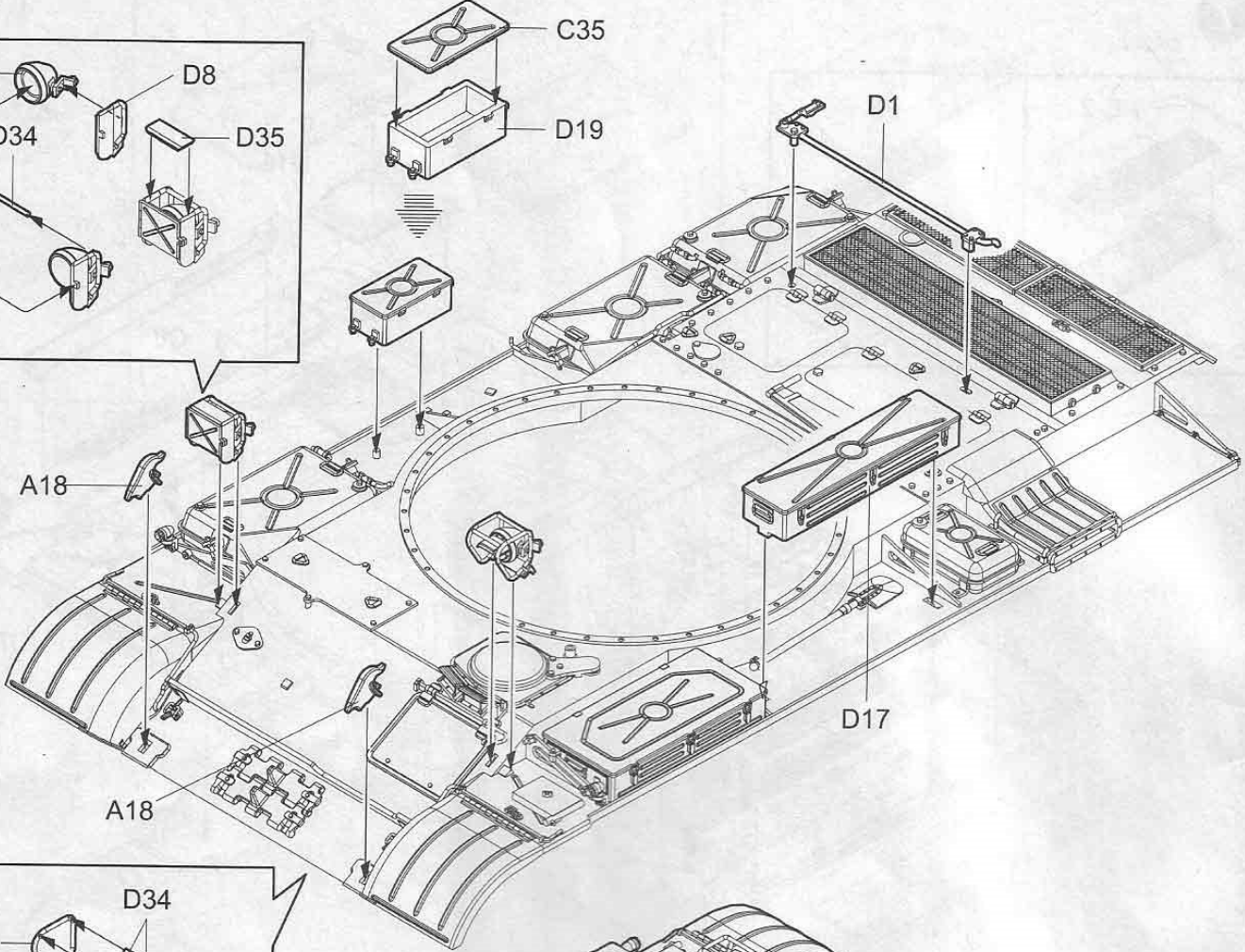
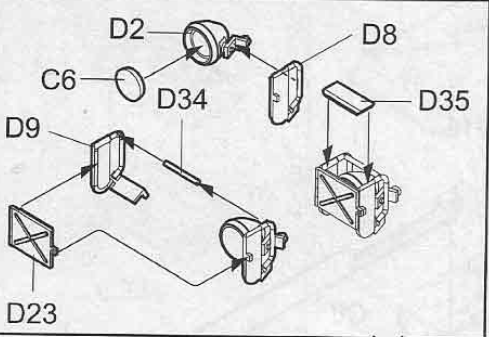
6



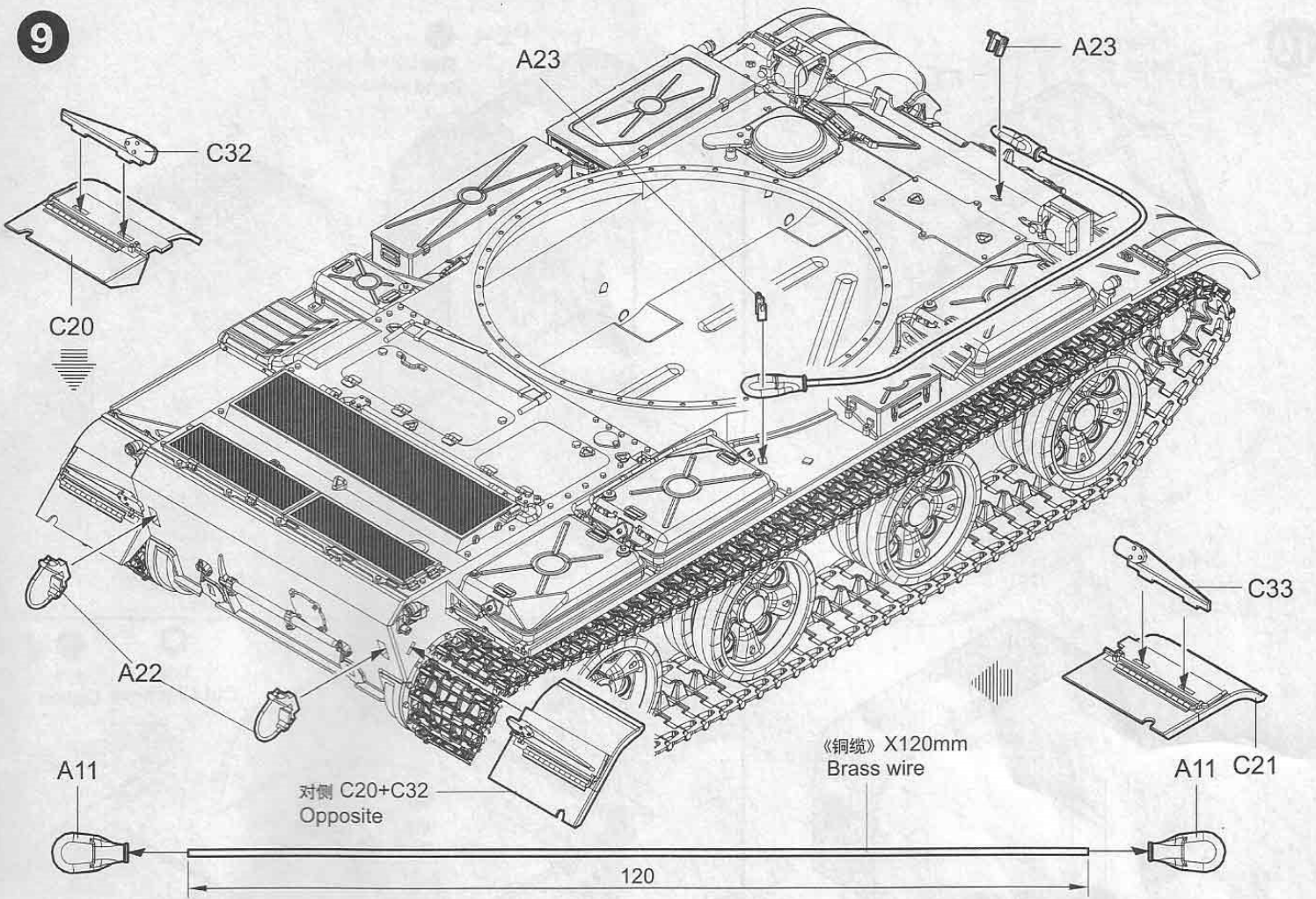
7



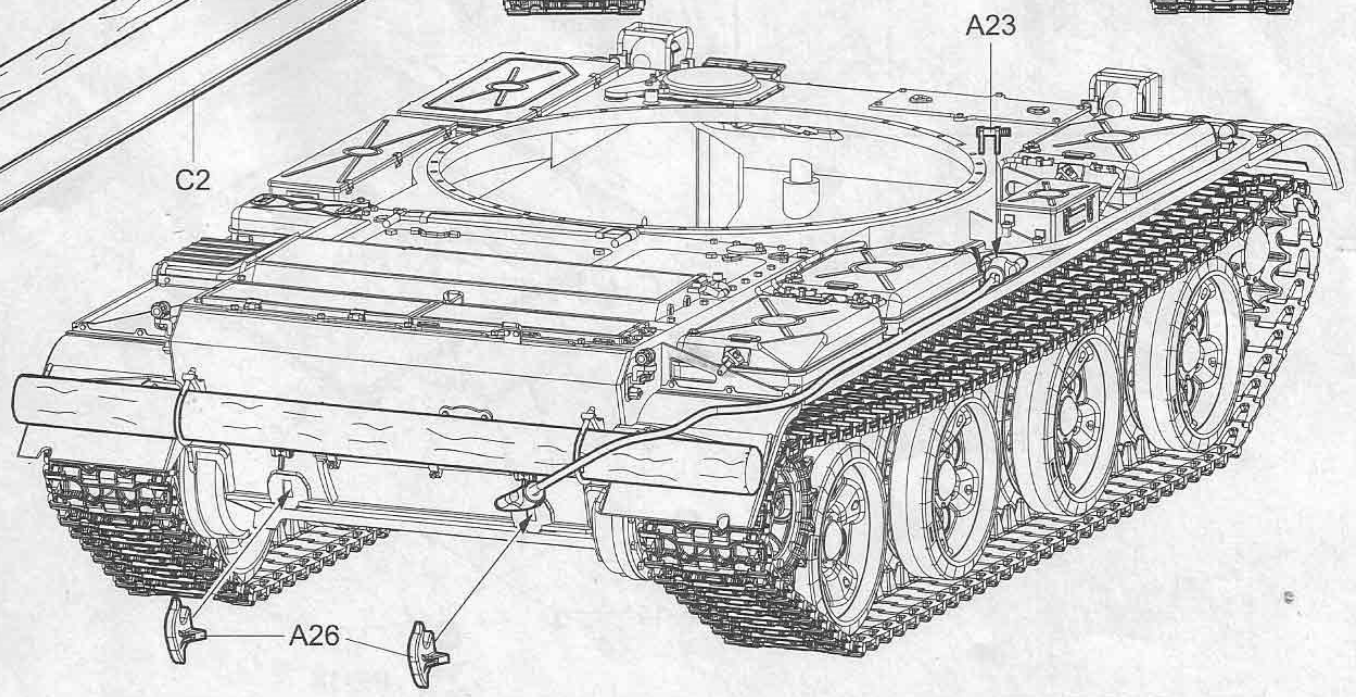
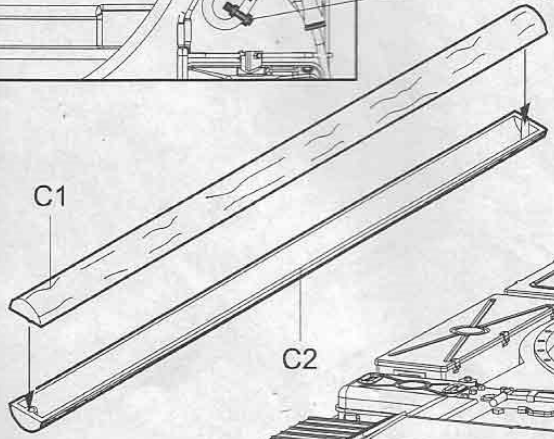
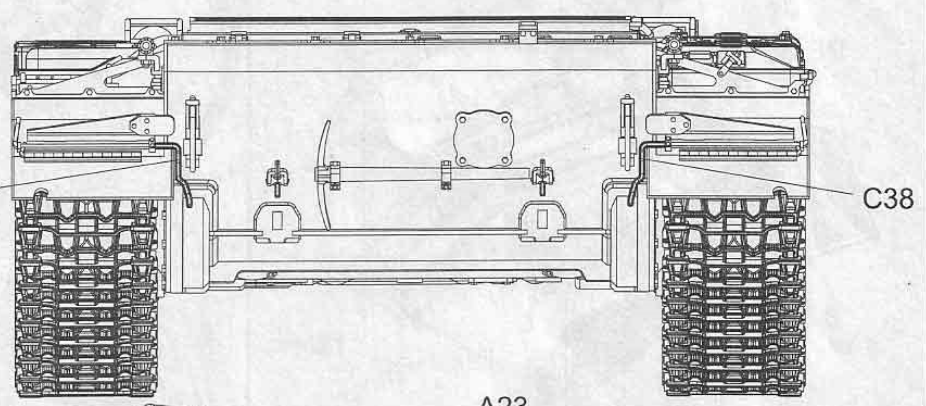
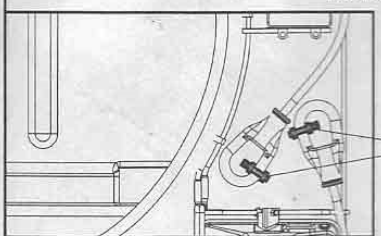
8



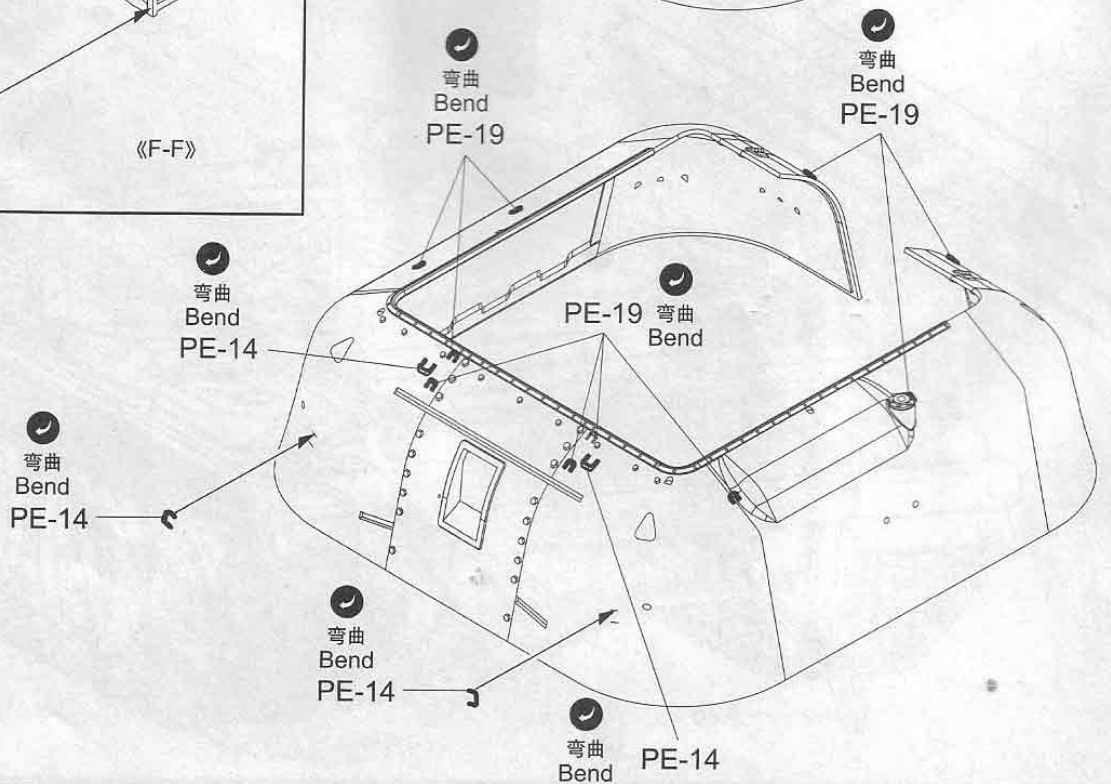
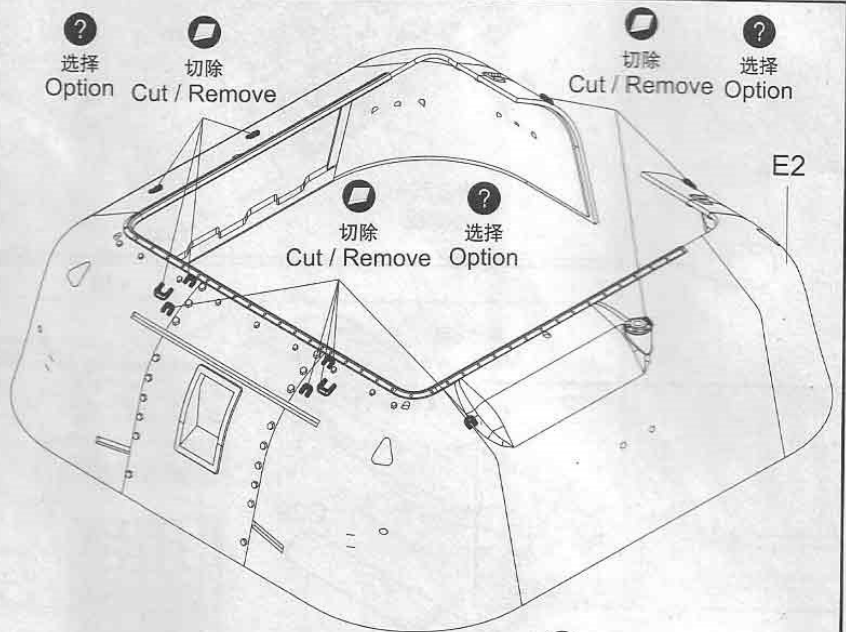
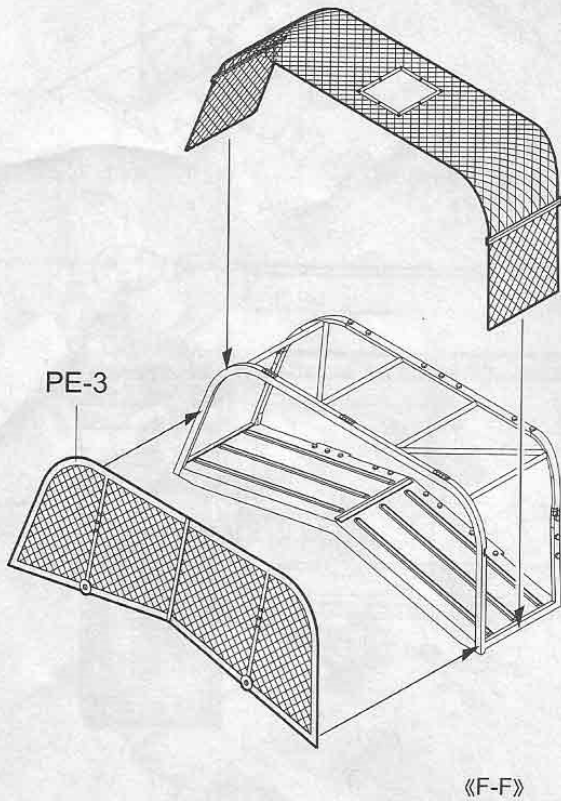
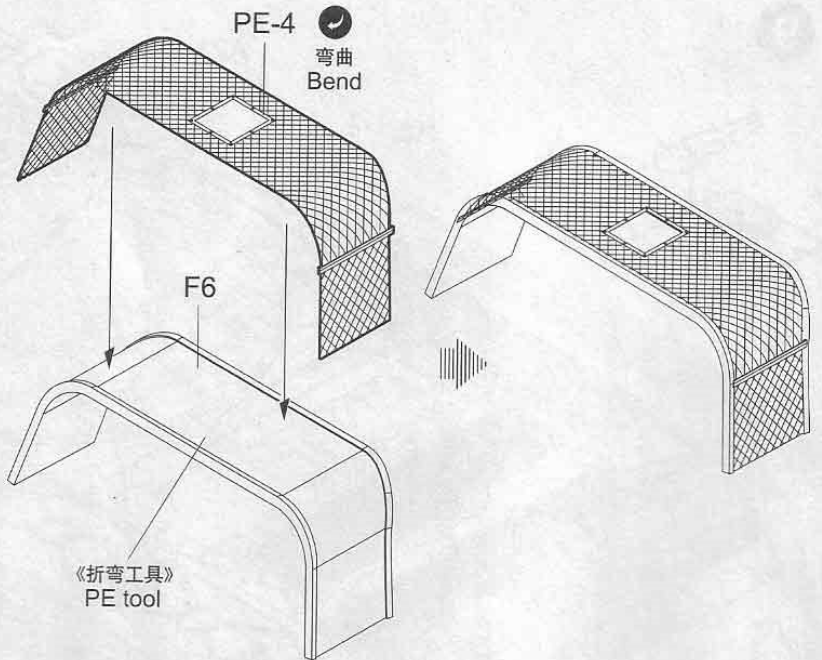
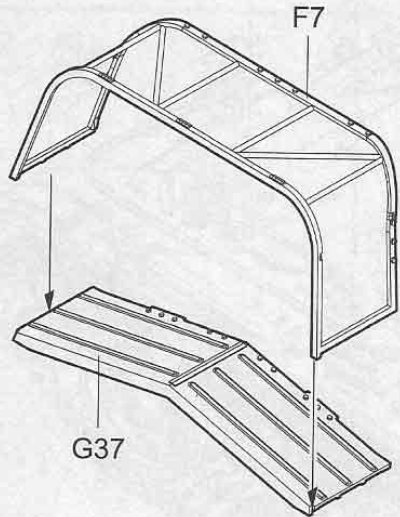
9



制作2组  
Make two



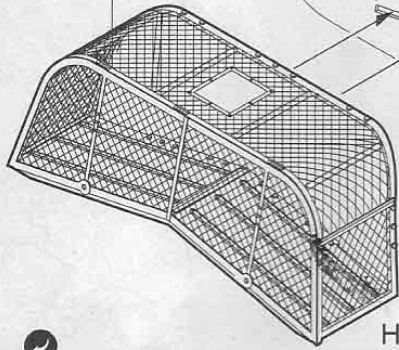
10



对侧相同 H4  
Both sides

H4 对侧相同  
Both sides

《F-F》

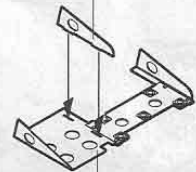


H5  
对侧 H3  
Opposite

H3  
对侧 H5  
Opposite

弯曲  
Bend PE-15

PE-17



PE-5 弯曲  
Bend

弯曲  
Bend PE-13

H16

H16

弯曲  
Bend PE-13

H21

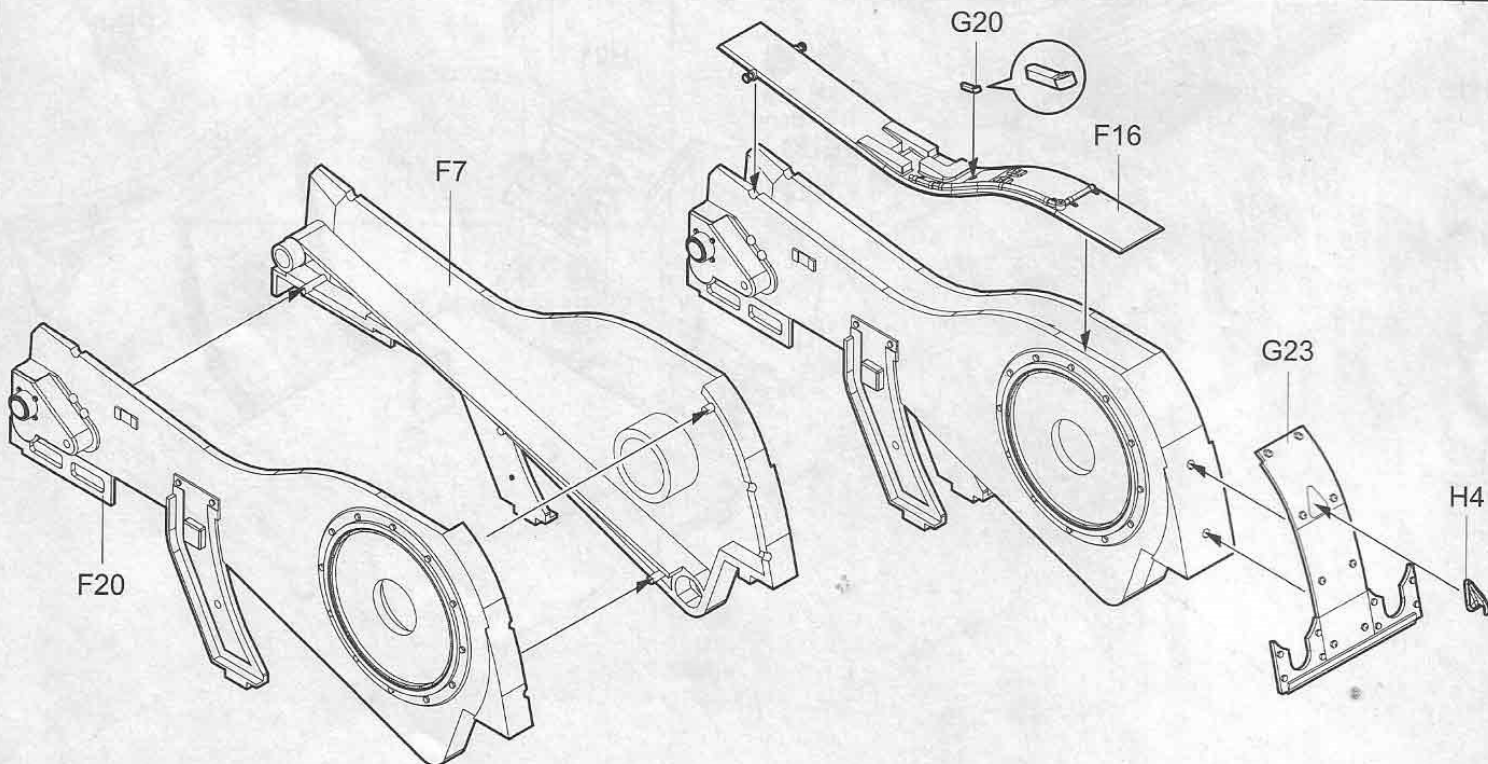
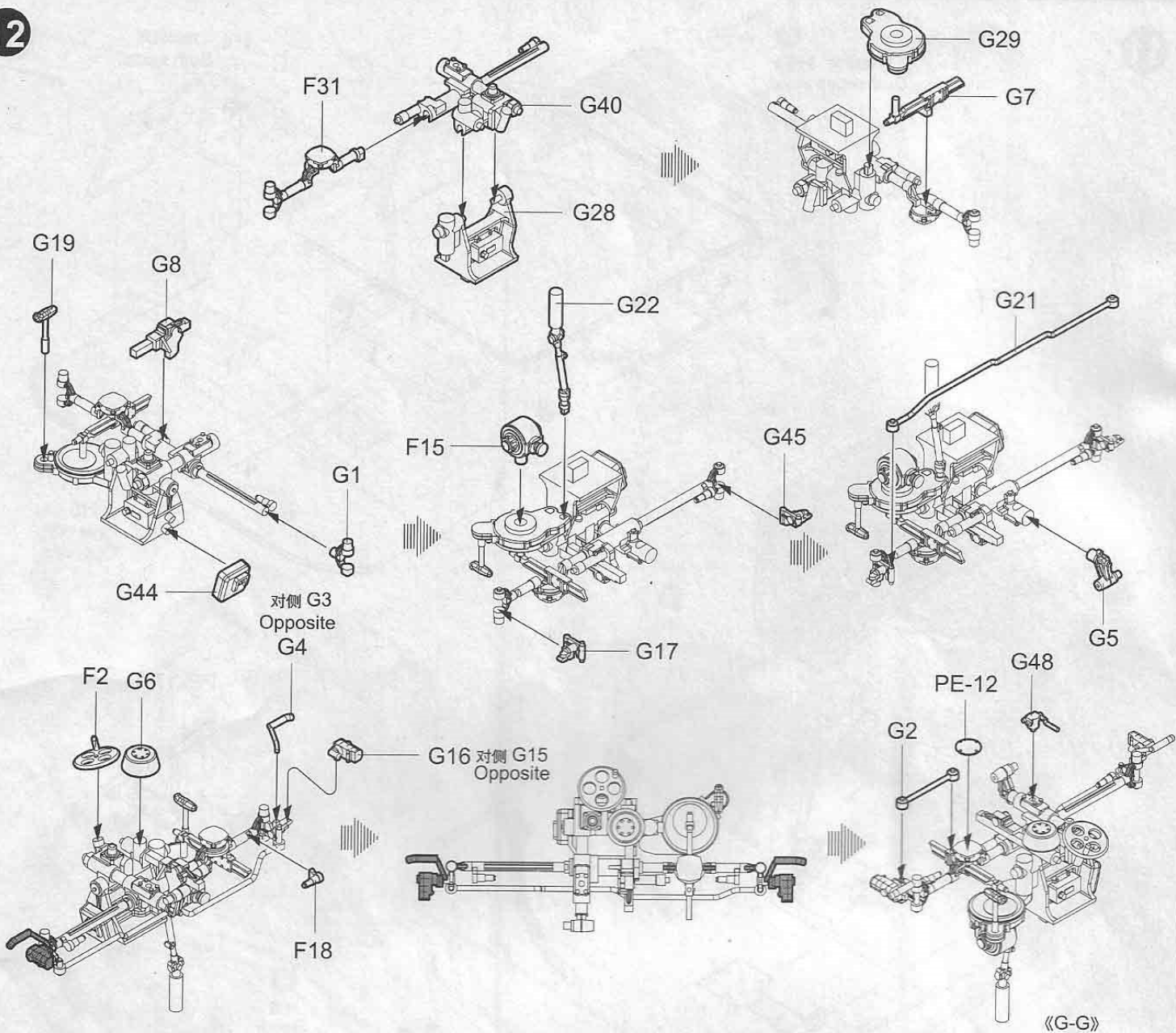
PE-9

PE-8

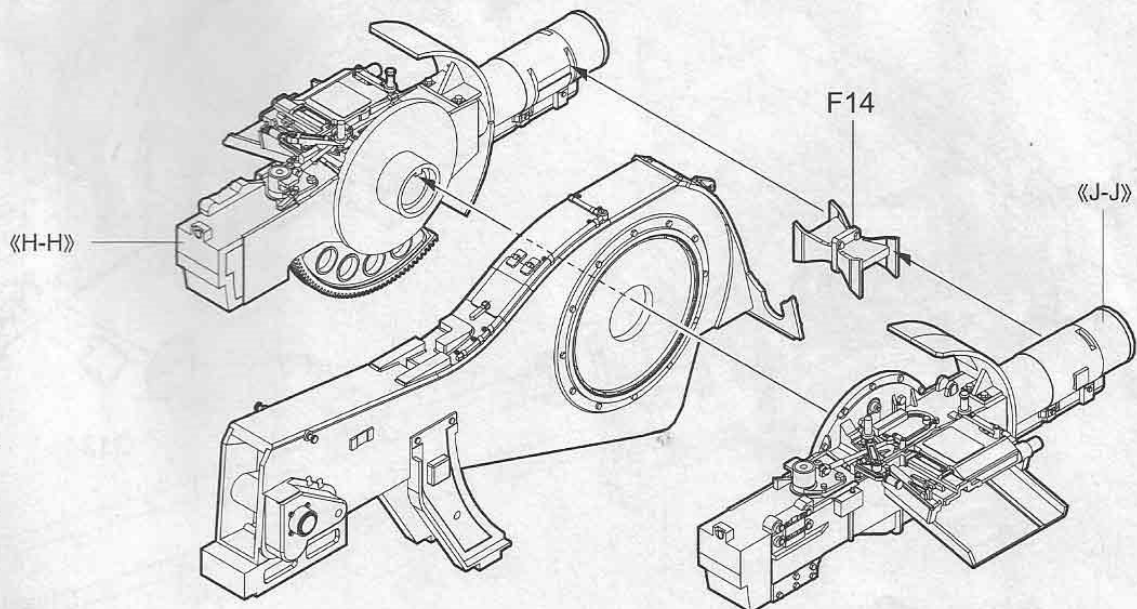
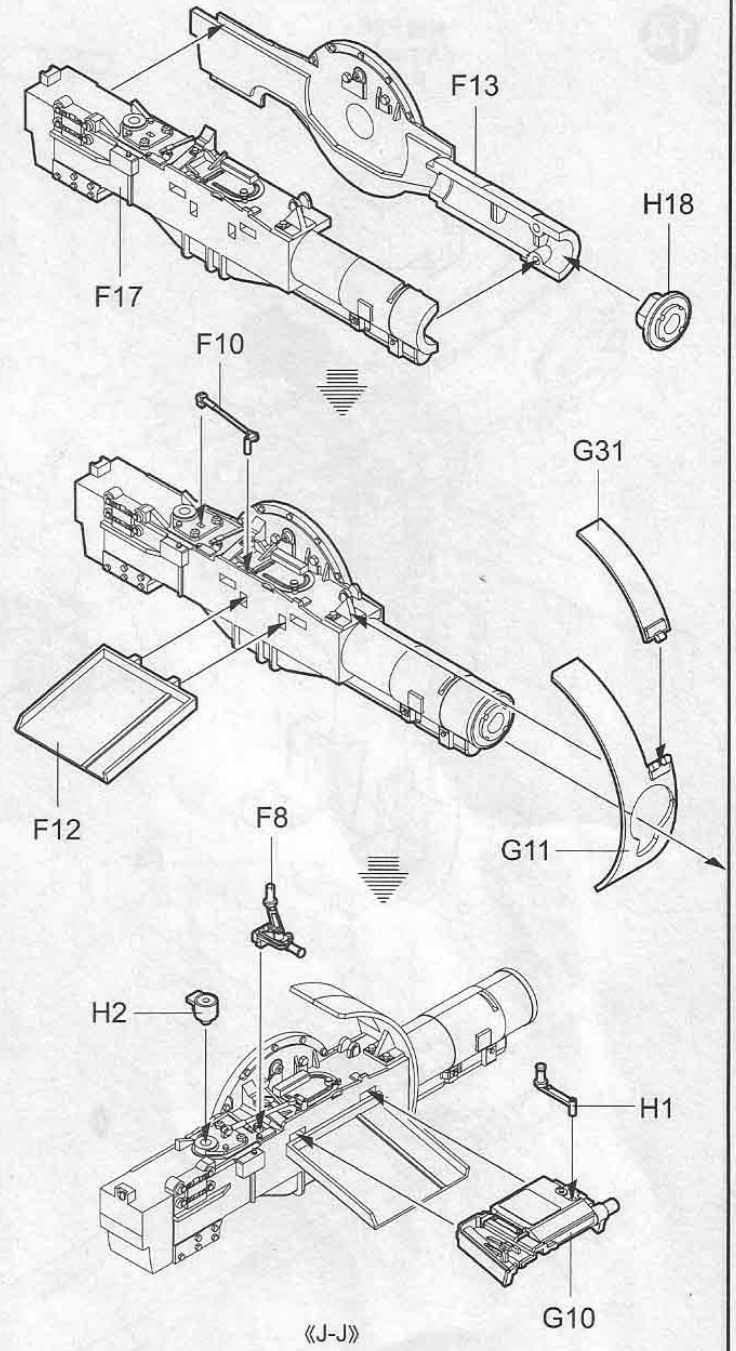
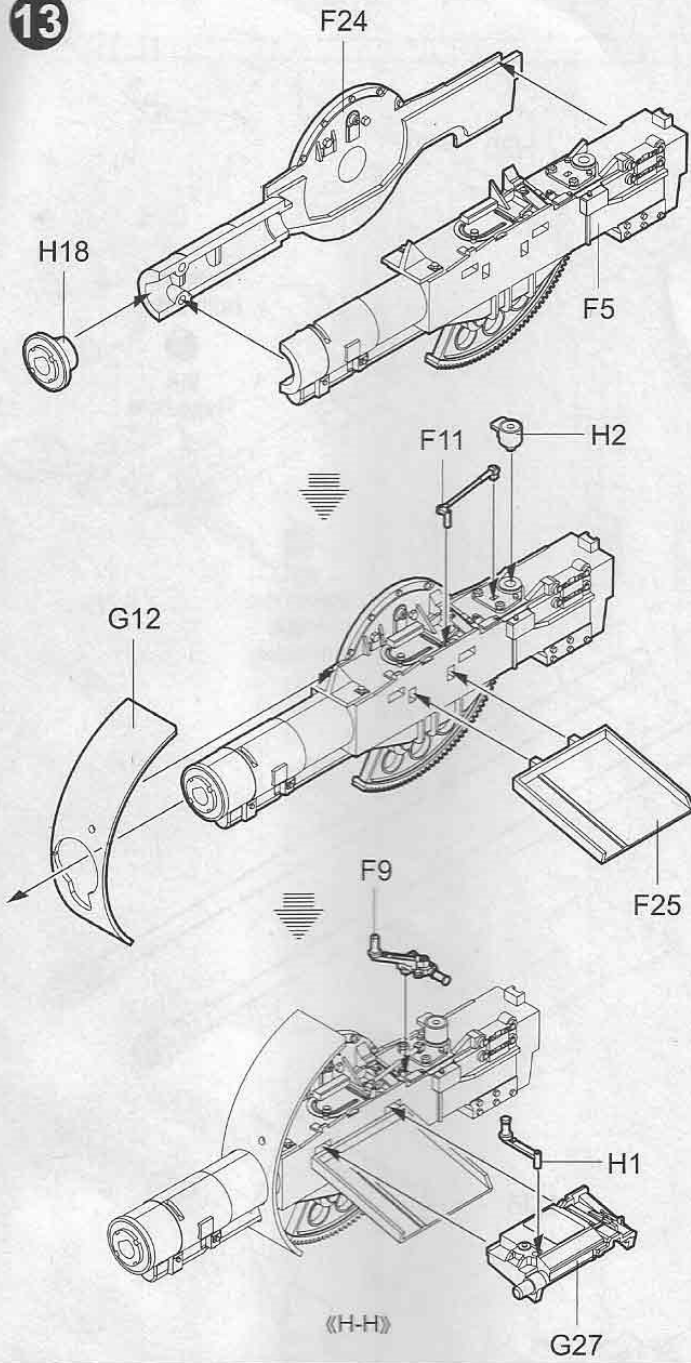
H22

C17

J1

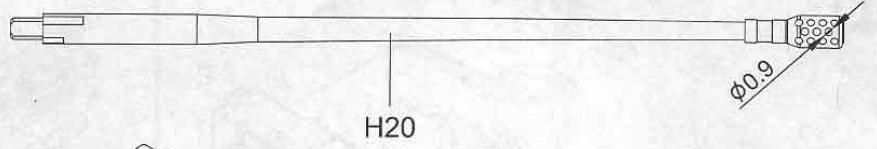


13



14

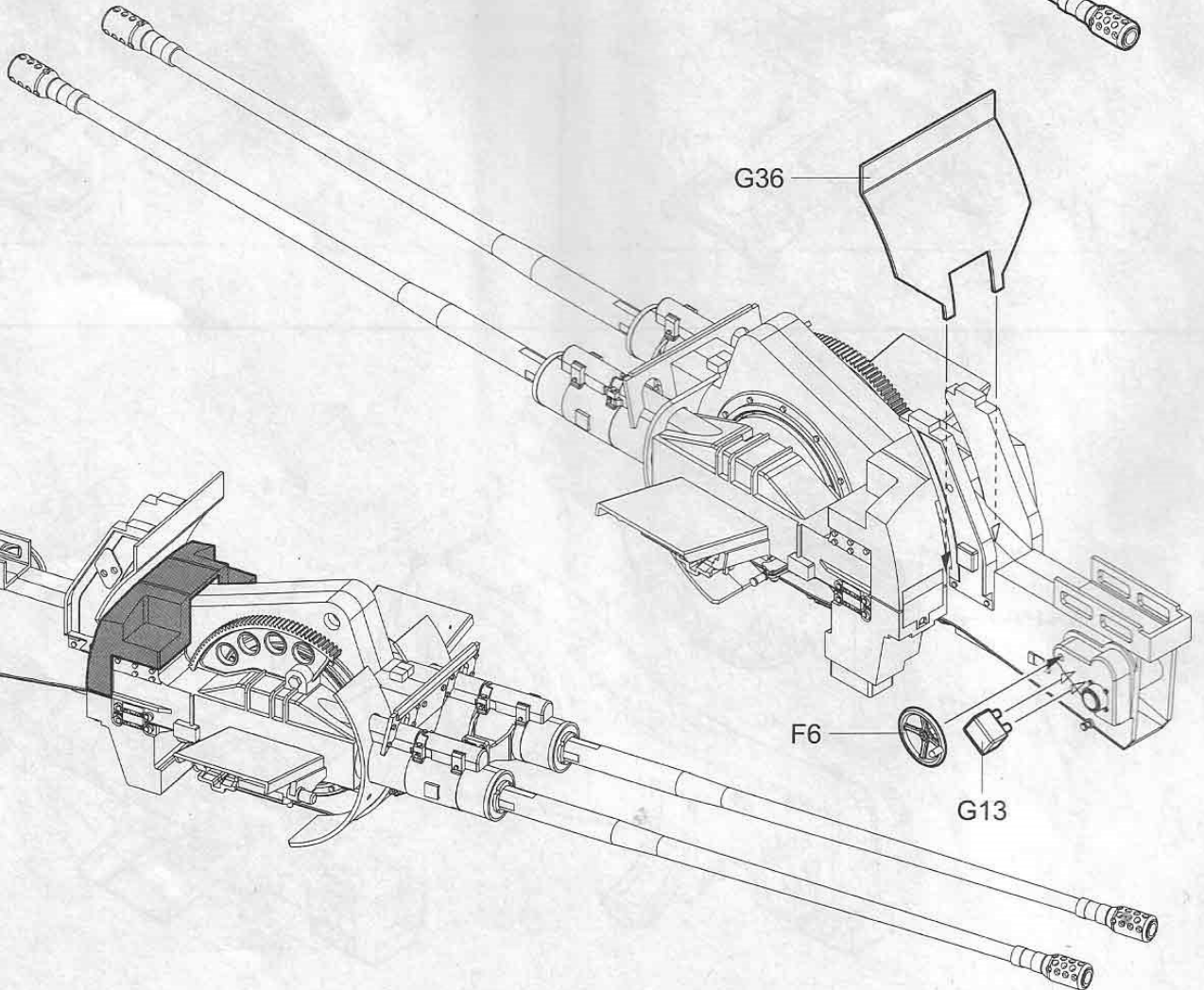
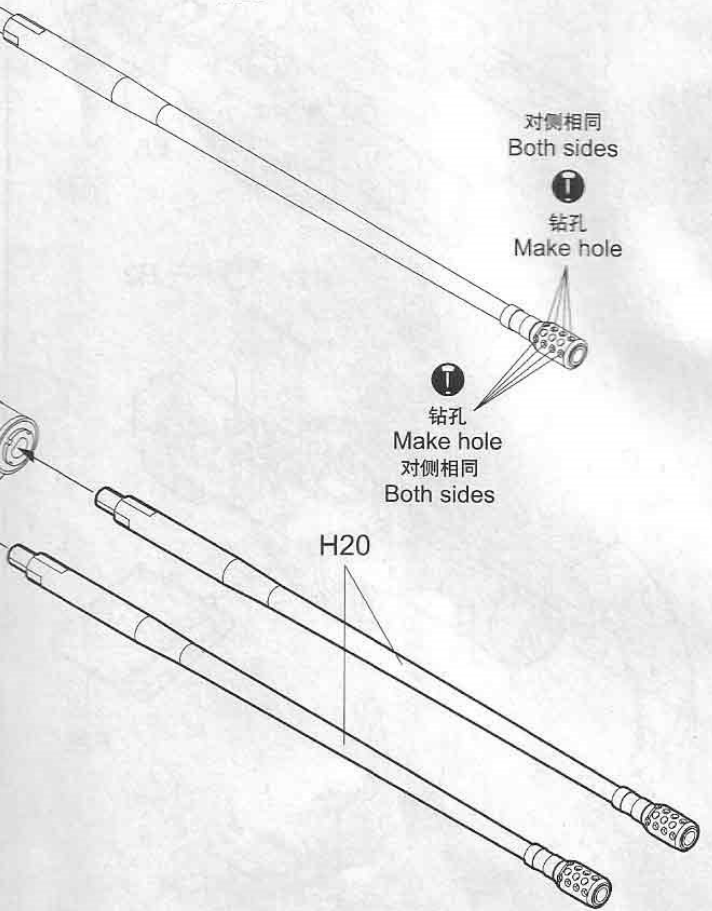
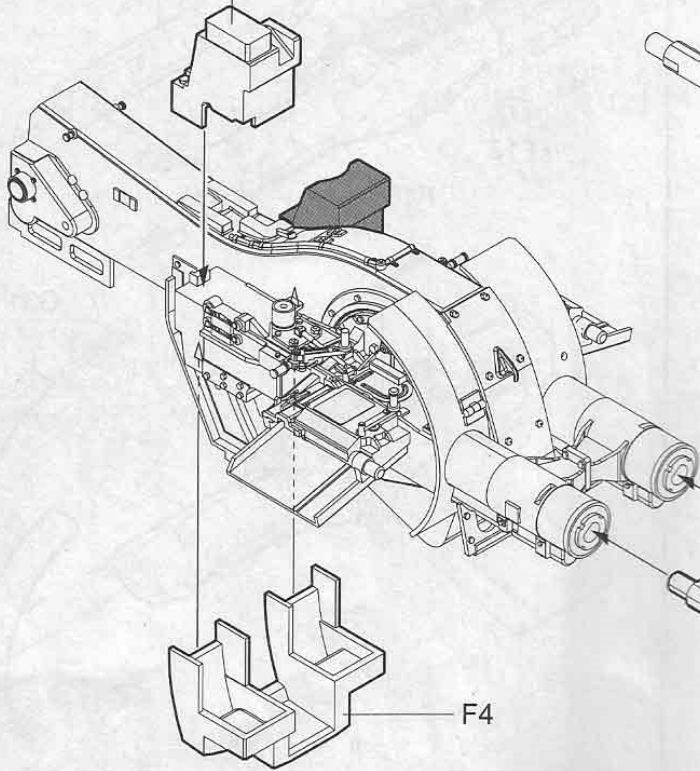
对侧 F28  
Opposite  
F27



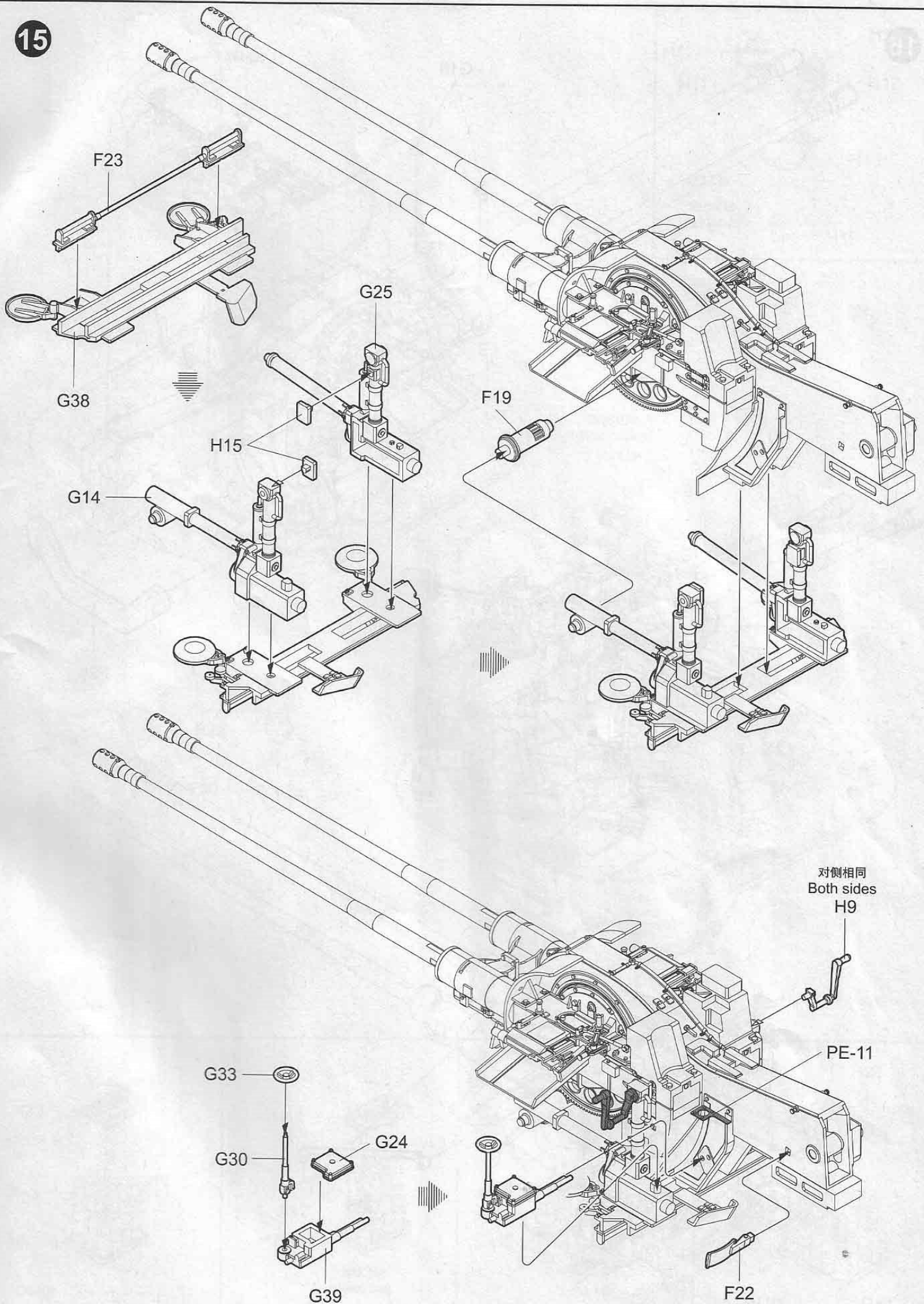
对侧相同  
Both sides

⊕  
钻孔  
Make hole

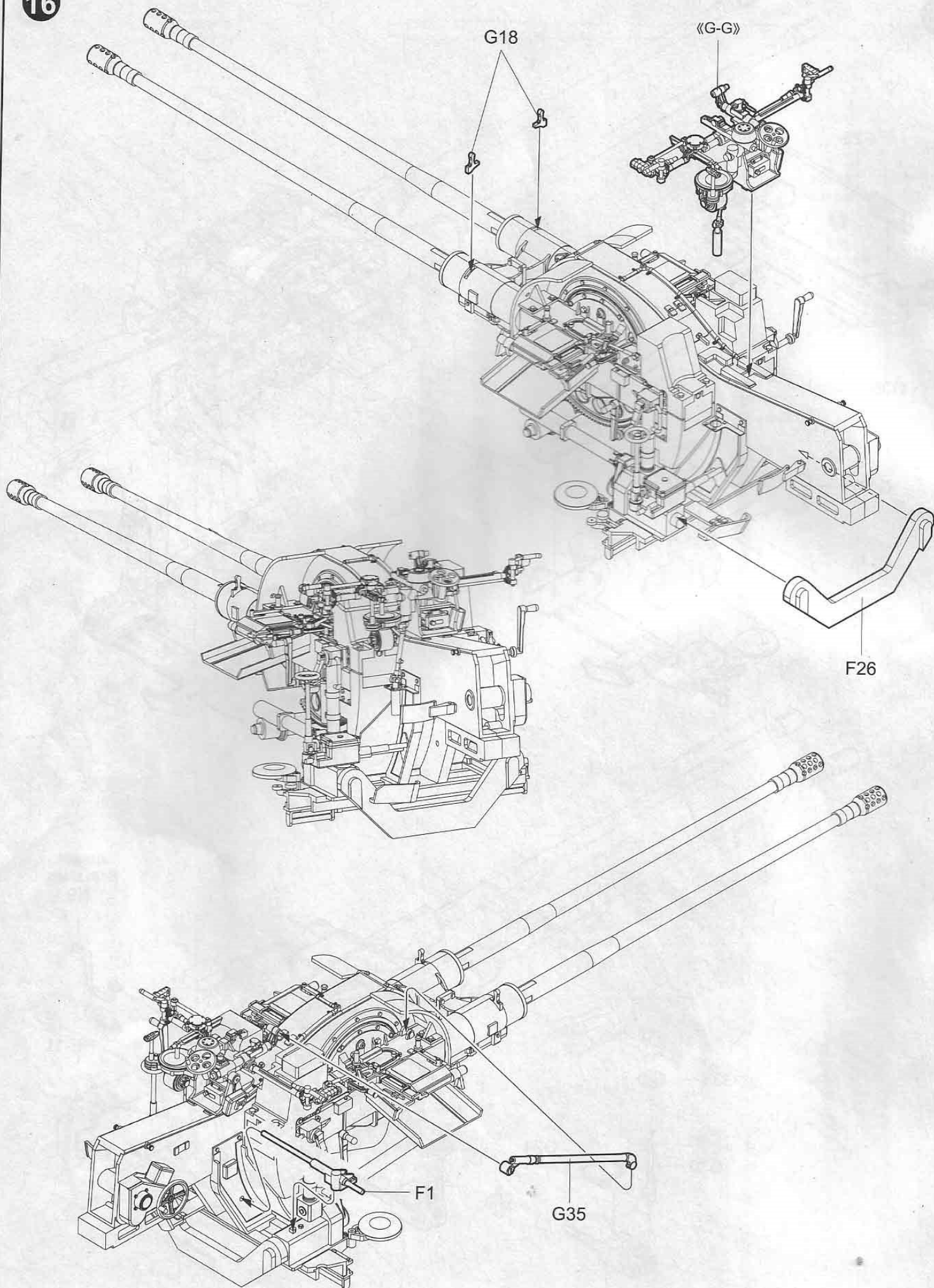
⊕  
钻孔  
Make hole  
对侧相同  
Both sides



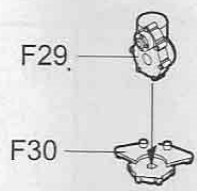
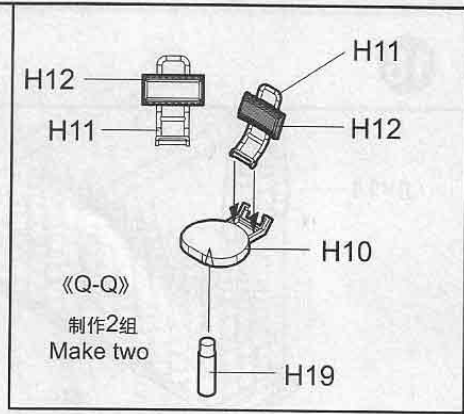
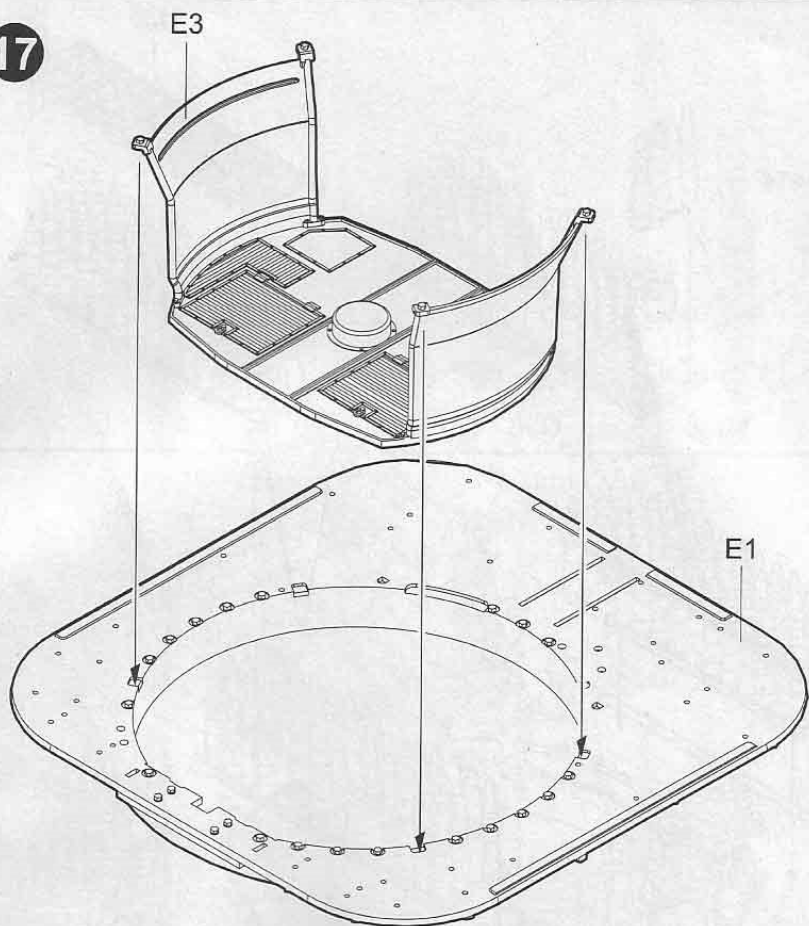
15



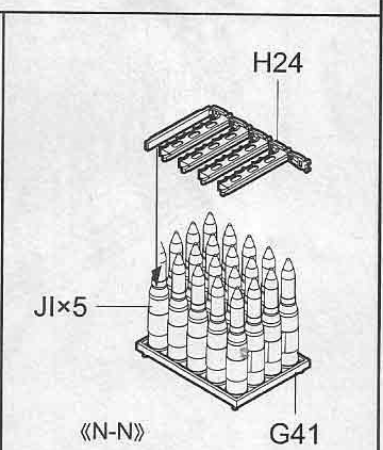
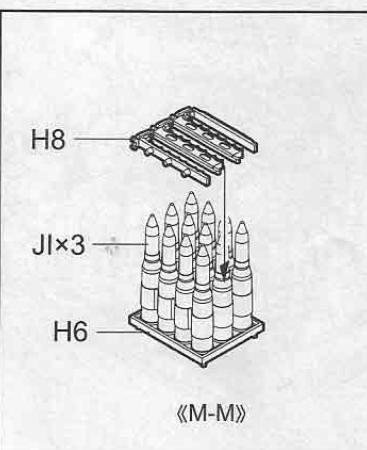
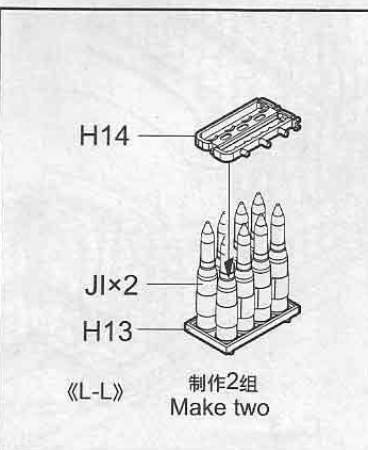
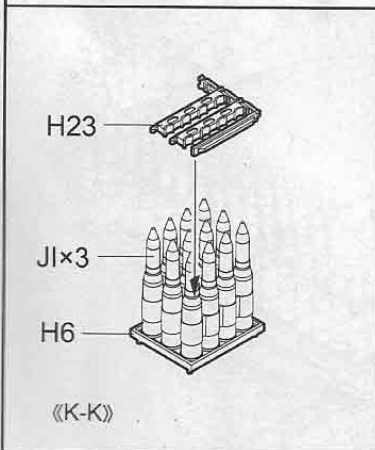
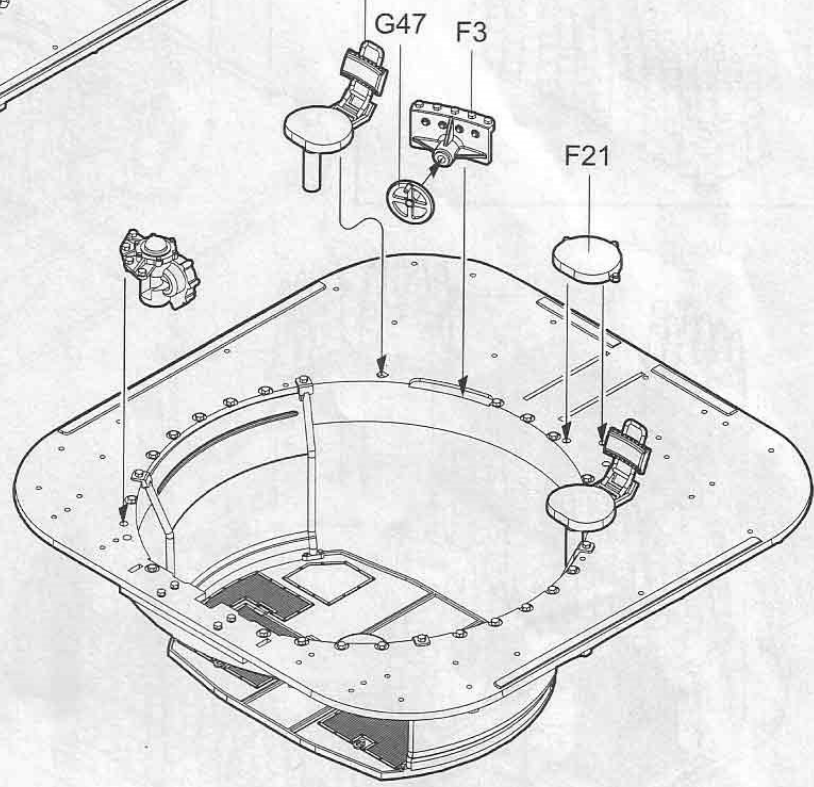
16

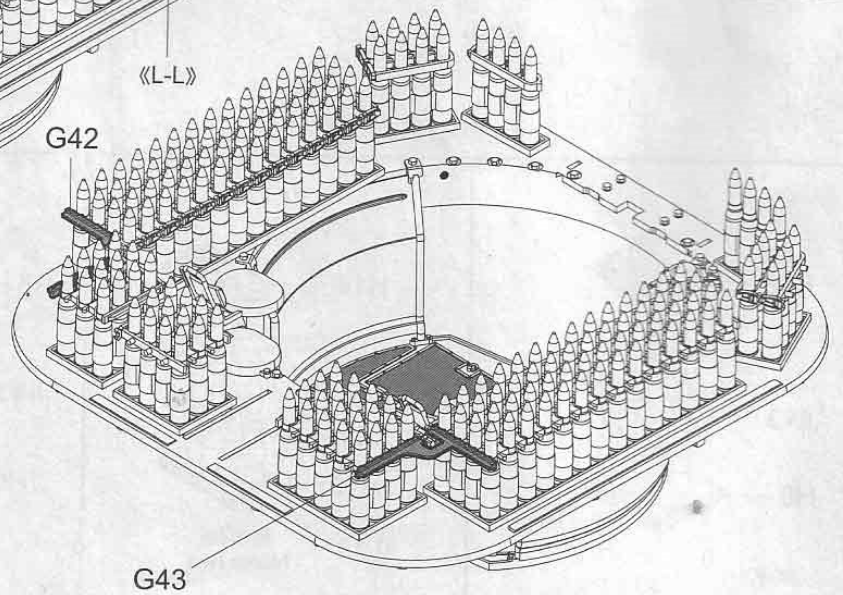
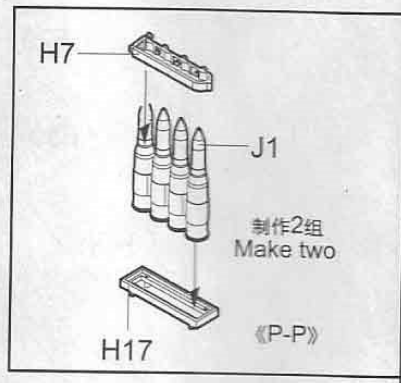
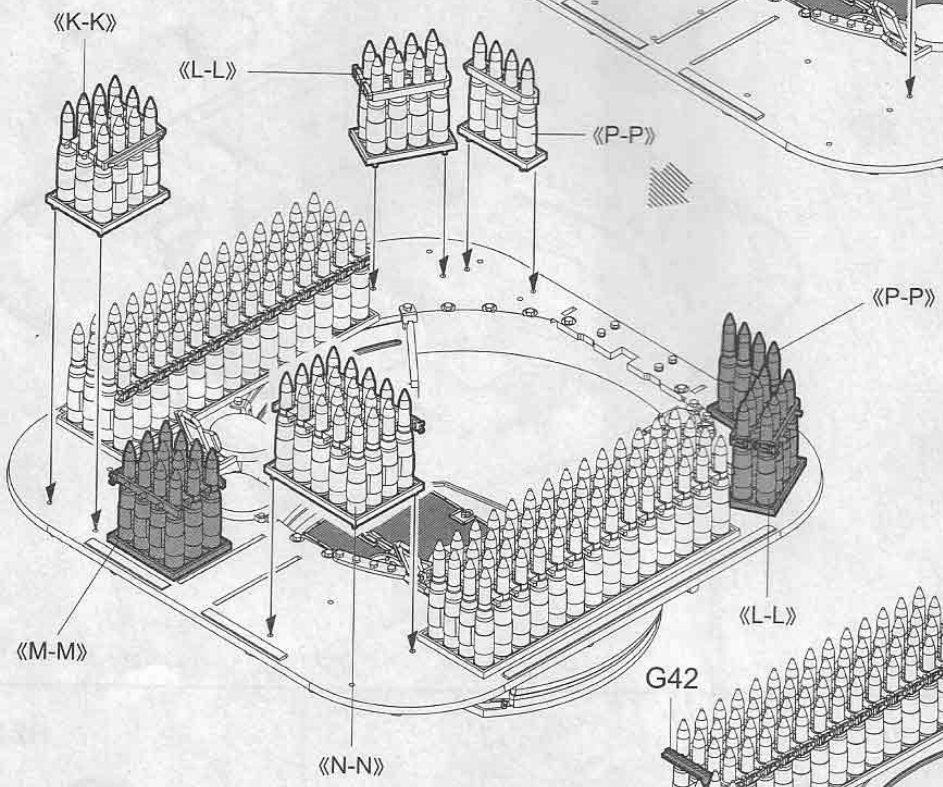
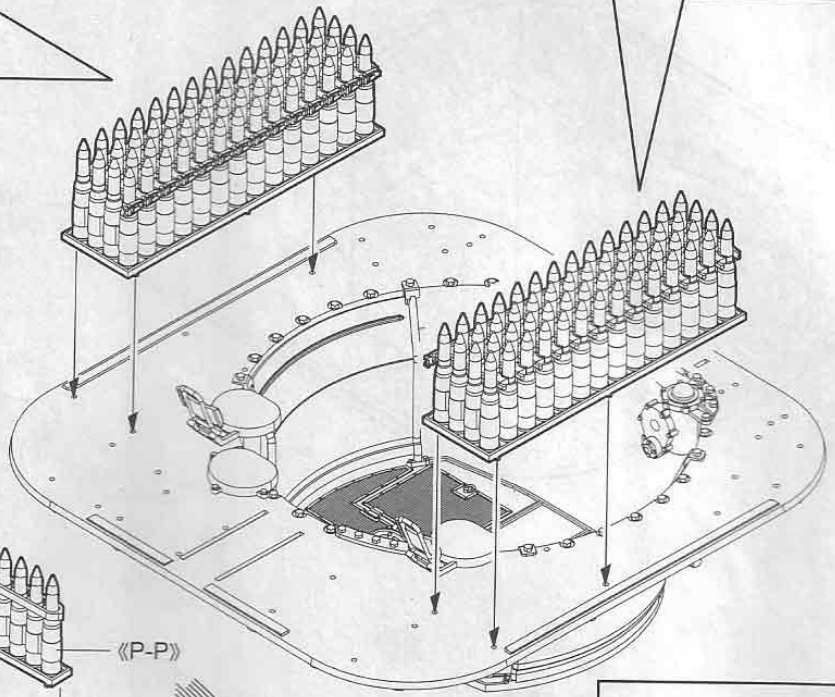
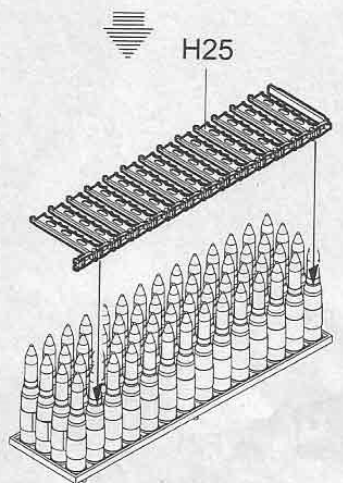
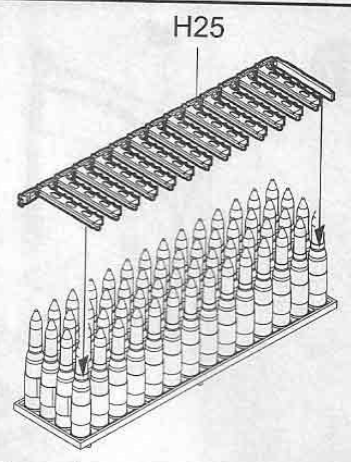
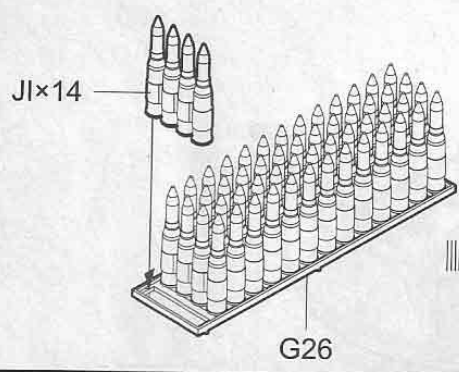
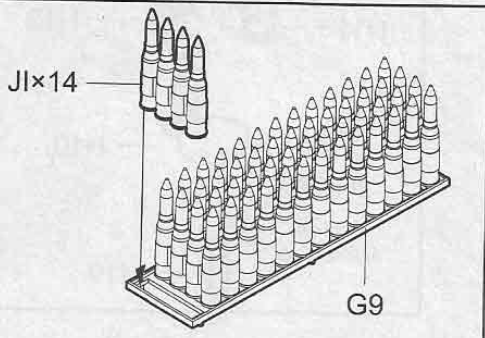


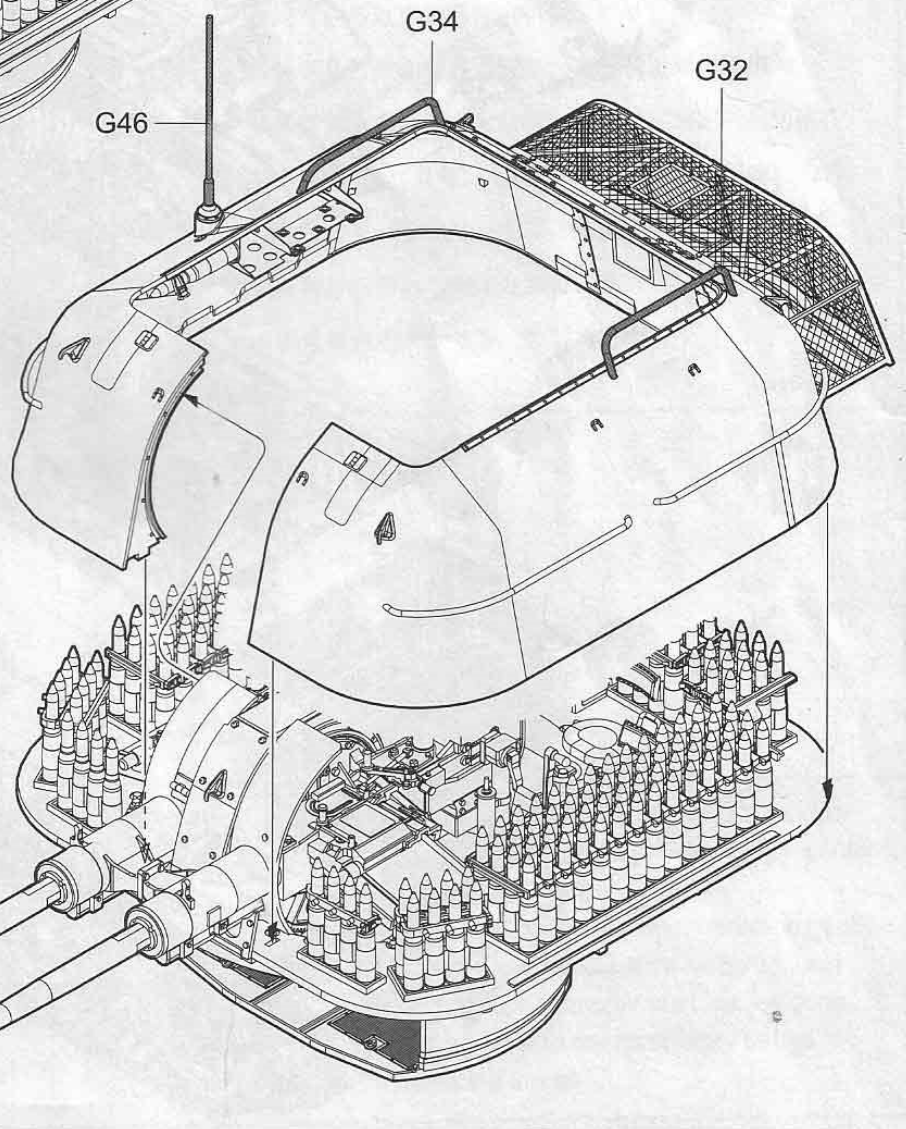
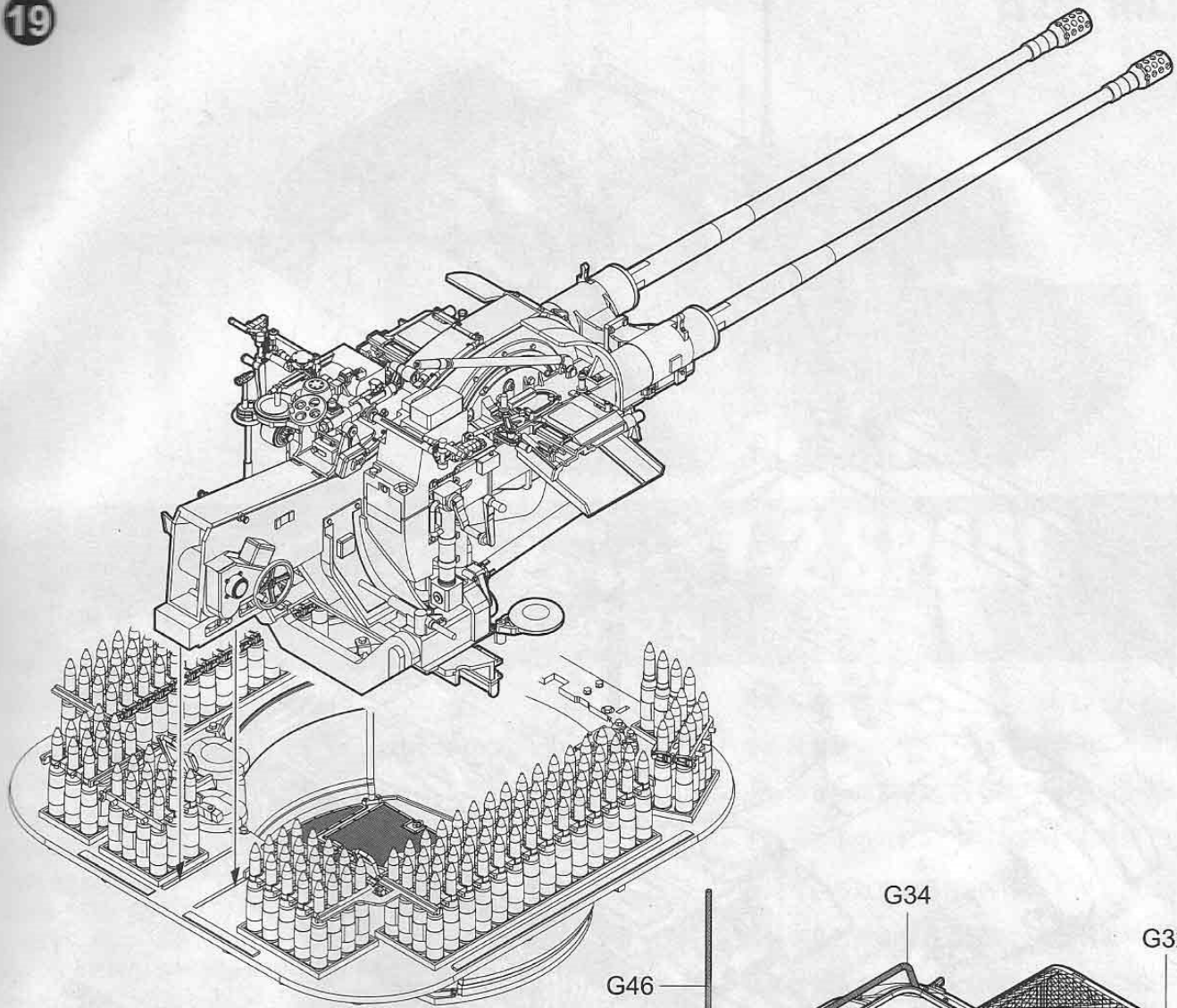
17

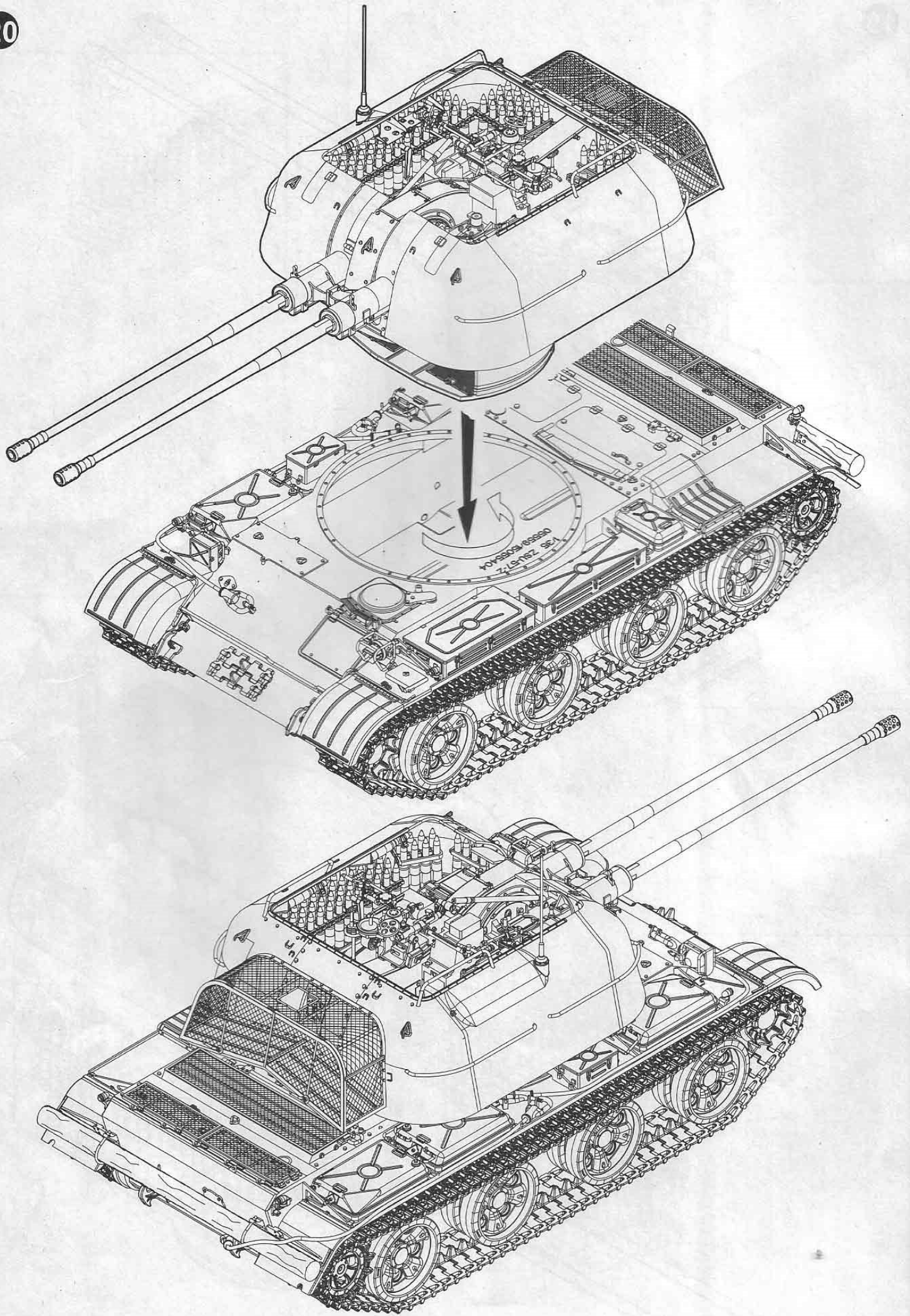


对侧相同  
Both sides  
《Q-Q》









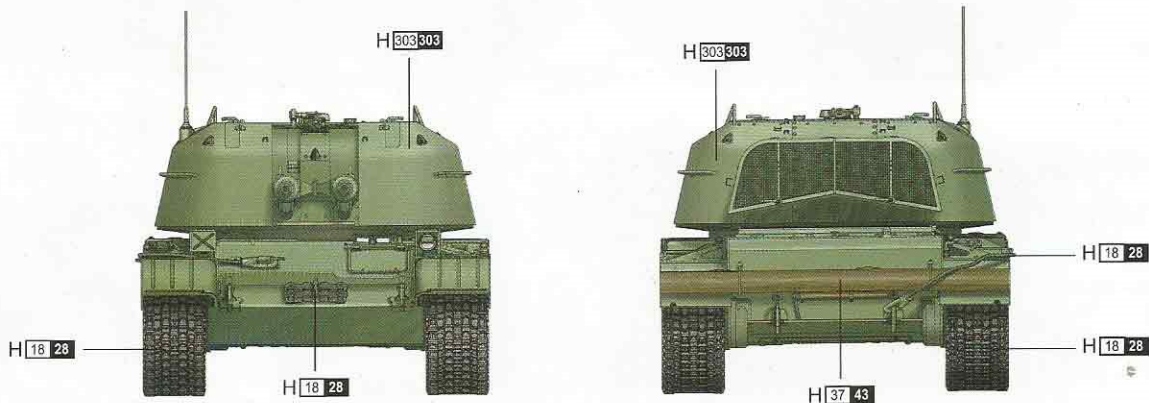
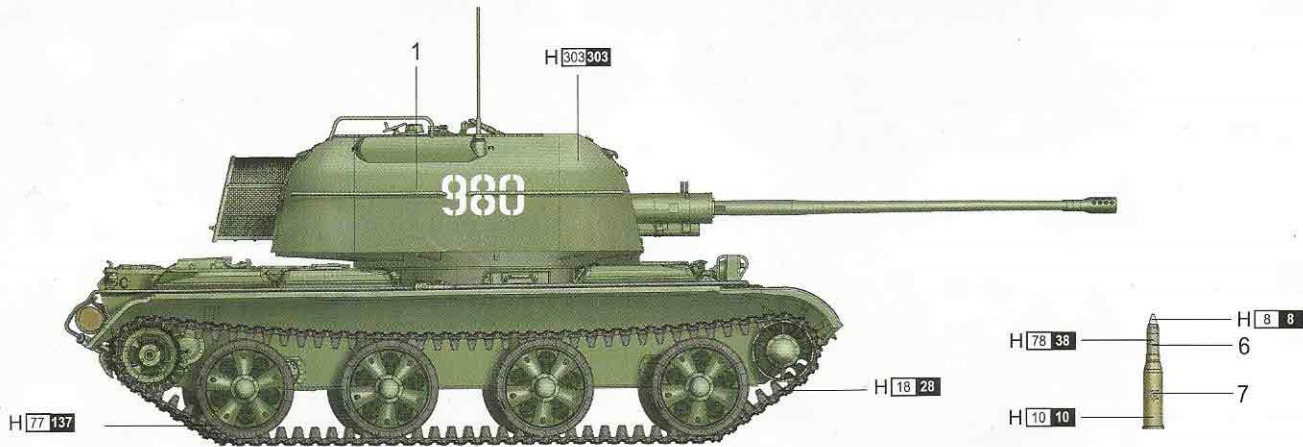
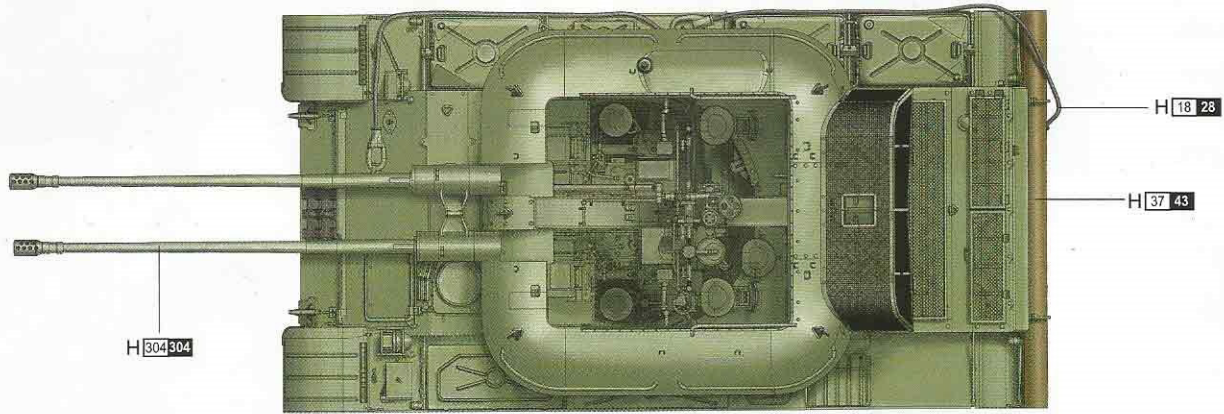
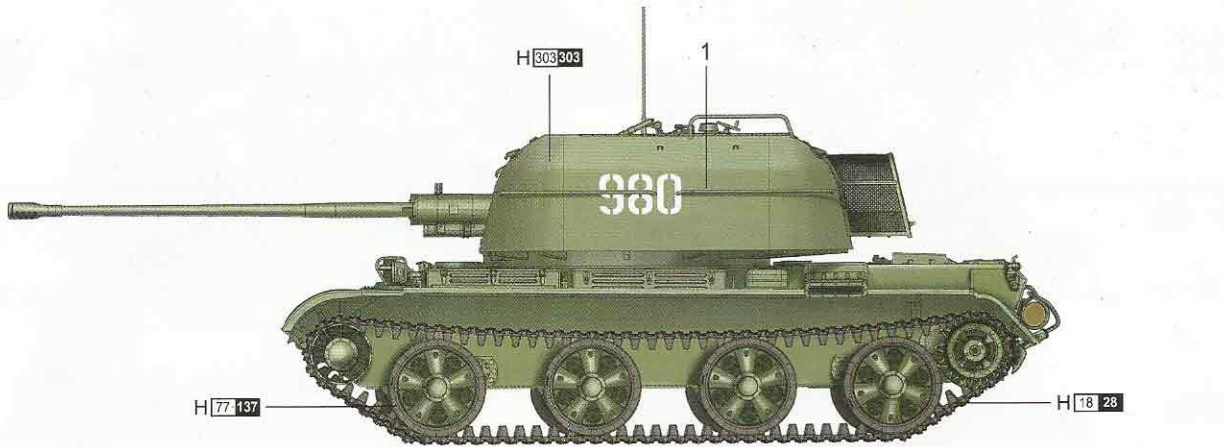
# 涂装同标贴指示

## Painting & Marking guide

| PAINT REFERENCE COLOUR |           |         |              |        |         |
|------------------------|-----------|---------|--------------|--------|---------|
| Color                  | Mr.Hobby  | Vallejo | Model Master | Tamiya | Humbrol |
| Light Green<br>浅绿色     | H 303 303 | —       | 1713         | XF20   | 117     |
| Tire Black<br>胎黑色      | H 77 137  | —       | —            | —      | —       |
| Metal Black<br>履带色     | H 18 28   | 864     | 1402         | —      | —       |

| PAINT REFERENCE COLOUR |          |         |              |        |         |
|------------------------|----------|---------|--------------|--------|---------|
| Color                  | Mr.Hobby | Vallejo | Model Master | Tamiya | Humbrol |
| Copper<br>铜色           | H 10 10  | 999     | 1551         | XF6    | 12      |
| Olive Drab(2)<br>黄绿色   | H 78 38  | —       | —            | —      | —       |
| Wood Brown<br>木棕色      | H 37 43  | 983     | 1701         | —      | 166     |
| Silver<br>银色           | H 8 8    | 997     | 1546         | X11    | 11      |

**A**



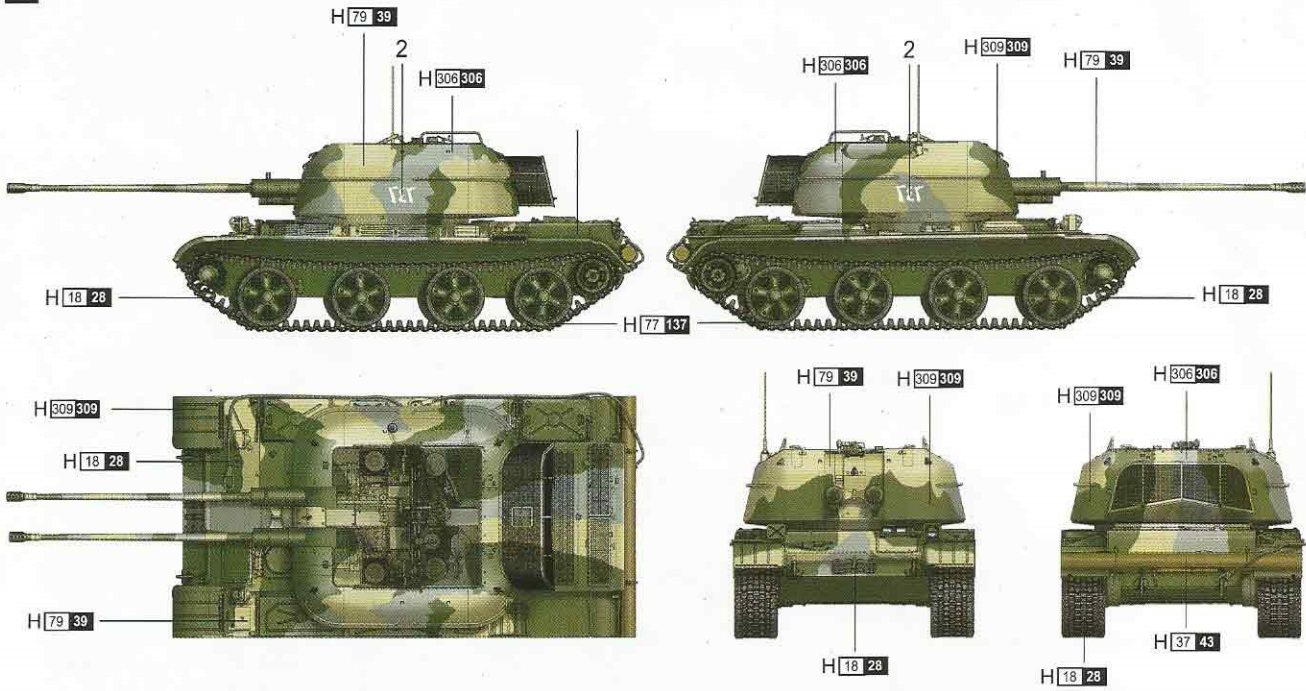
H X AQUEOUS HOBBY COLOUR

X MR COLOUR

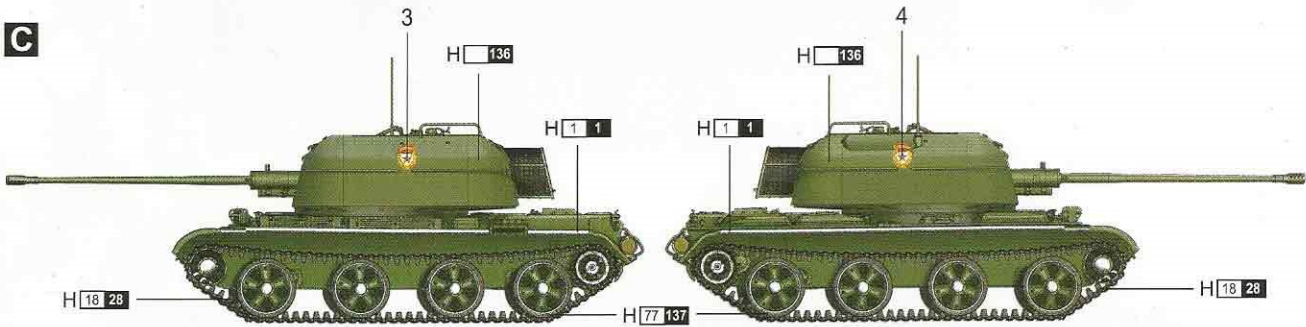
# 涂装同标贴指示 Painting & Marking guide

| PAINT REFERENCE COLOUR |           |         |              |        |         | PAINT REFERENCE COLOUR  |           |         |              |        |         |
|------------------------|-----------|---------|--------------|--------|---------|-------------------------|-----------|---------|--------------|--------|---------|
| Color                  | Mr.Hobby  | Vallejo | Model Master | Tamiya | Humbrol | Color                   | Mr.Hobby  | Vallejo | Model Master | Tamiya | Humbrol |
| Light Green<br>浅绿色     | H 303 303 | —       | 1713         | XF20   | 117     | Medium Grey<br>灰色       | H 306 306 | 870     | 1728         | XF20   | —       |
| Tire Black<br>胎黑色      | H 77 137  | —       | —            | —      | —       | Russian Green(T)<br>苏俄绿 | H 136     | —       | —            | —      | —       |
| Metal Black<br>金属色     | H 18 28   | 864     | 1402         | —      | —       | Flat Black<br>消光黑       | H 12 33   | 934     | —            | X27    | —       |
| White<br>白色            | H 1 1     | 842     | 1745         | X2     | 22      | Green<br>绿色             | H 309 309 | 893     | 1710         | XF58   | 116     |
| Sandy Brown<br>沙黄色     | H 79 39   | 824     | —            | XF59   | 93      | Wood Brown<br>木棕色       | H 37 43   | 983     | 1701         | —      | 186     |

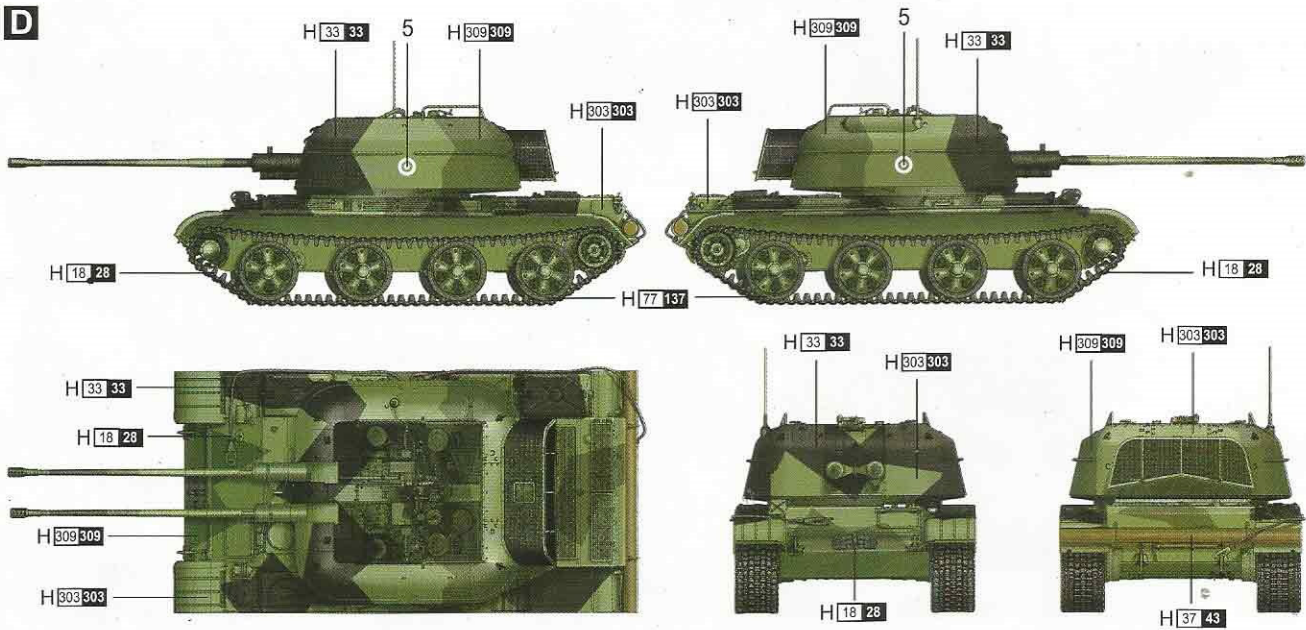
## B



## C



## D



H [X] AQUEOUS HOBBY COLOUR X MR COLOUR