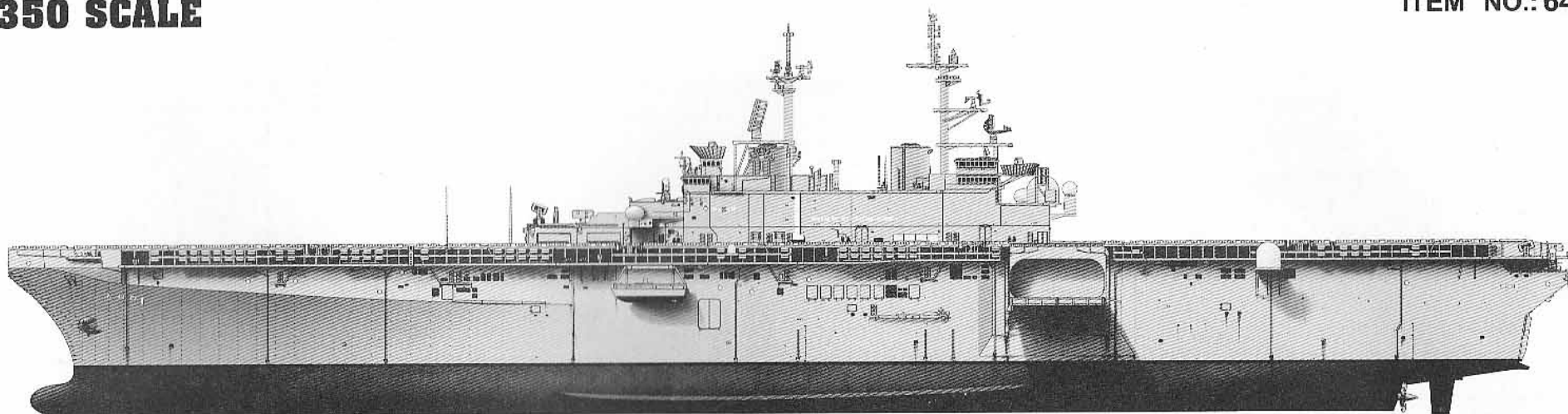


**1:350 SCALE**

ITEM NO.: 64001



# USS WASP LHD-1

WASP CLASS AMPHIBIOUS ASSAULT SHIP

## READ BEFORE ASSEMBLY:

- This kit is not recommended for inexperienced modelers or for children under 14 years of age
- Study and understand these instructions thoroughly before beginning assembly
- When needed, remove photo-etch parts carefully using a modeling knife or photo etch sprue cutter, being careful not to damage or lose small parts.
- Take extra care in handling photo etch parts in order to avoid injury
- Apply instant cement sparingly to photo etch parts where instructed

- Tools recommended(not included in kit):Plastic and instant cements,sprue cutters,long nose pliers,modeling knife, small files, tweezers, pin vise & scissors. Soft cloth and sandpaper will also assist in construction
- Glue and paint are not included in the kit. Use plastic cement and hobby paints only. Color guide for purchasing paint is included in the kit.
- Keep out of reach of children. They must not be allowed to ingest small parts or handle plastic bags in any way.

## DECAL APPLICATION:

1. Cut decals from sheet as needed
2. Dip the decal in warm water for about 10 seconds and then place on soft clean cloth.
3. Hold the decal backing sheet edge and gently slide the decal onto the model in its proper position.
4. While still wet,decal can be adjusted for better fit on model by dampening it gently with your finger.
5. When placed in the proper position,gently press decal down with a soft cloth until excess water and air bubbles are gone.
6. Allow decal to dry completely before handling model



Cyanoacrylate glue



Weight



Make hole



Cut / Remove



Decal



File / Sand



Option



No cement



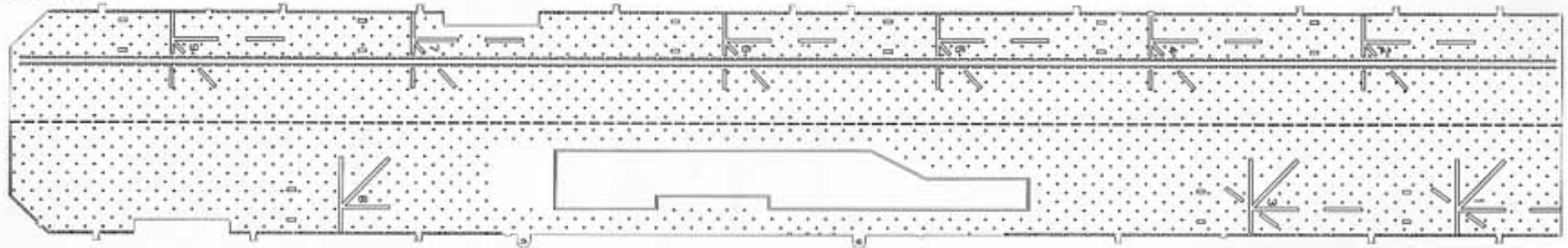
Bend

# Parts

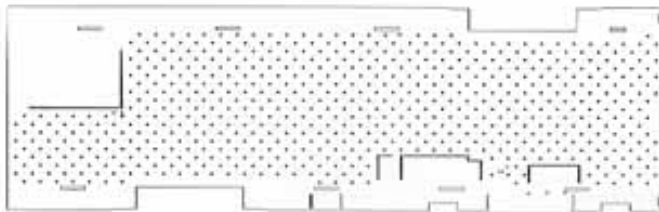
Hull



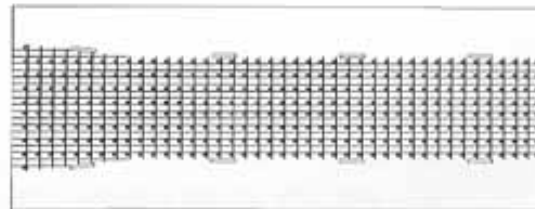
Flight deck



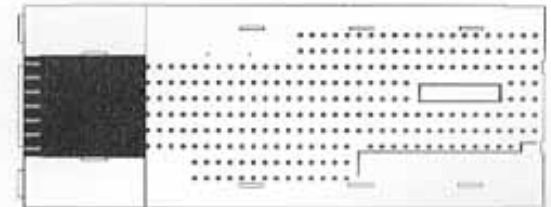
Hangar deck



Rear well deck



Front well deck



Stand

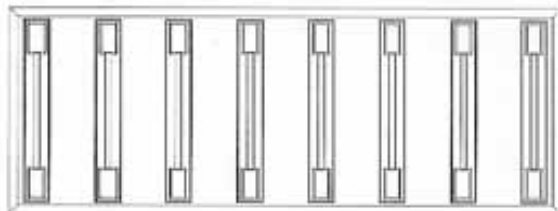


Photo etch A

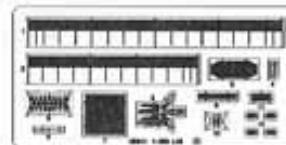
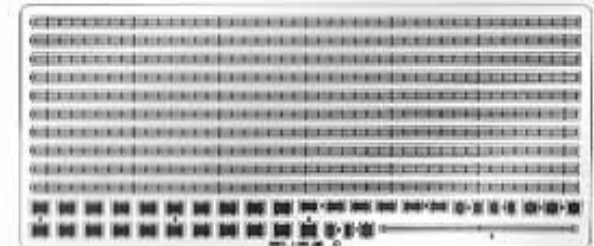
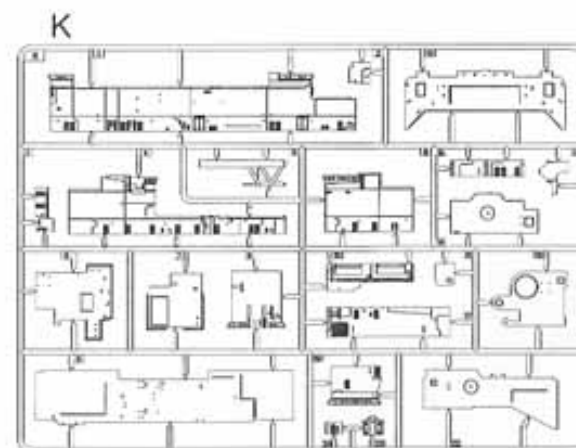
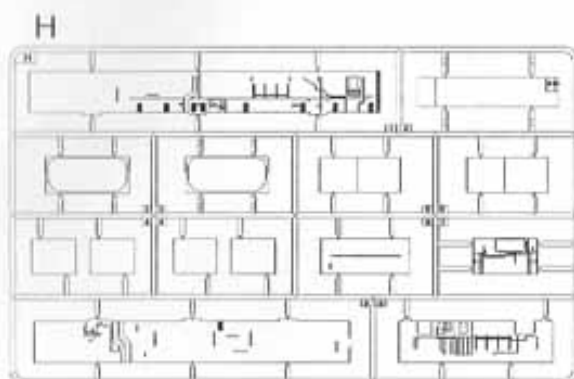
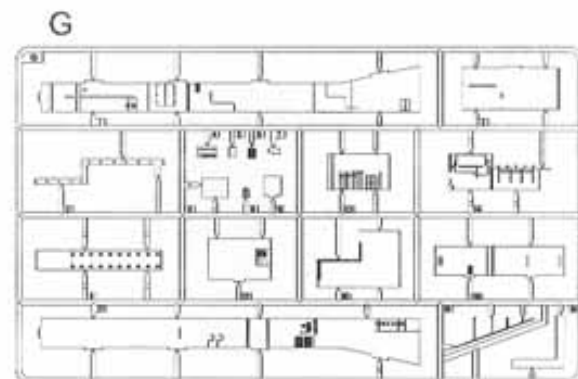
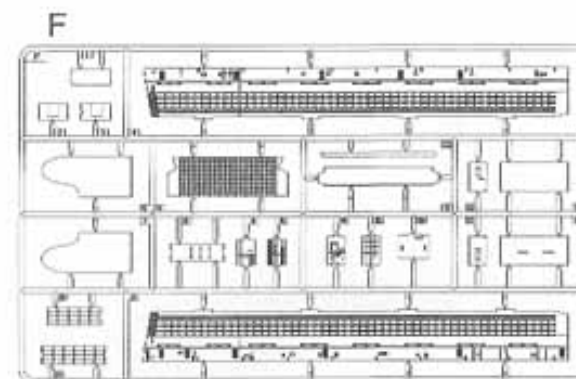
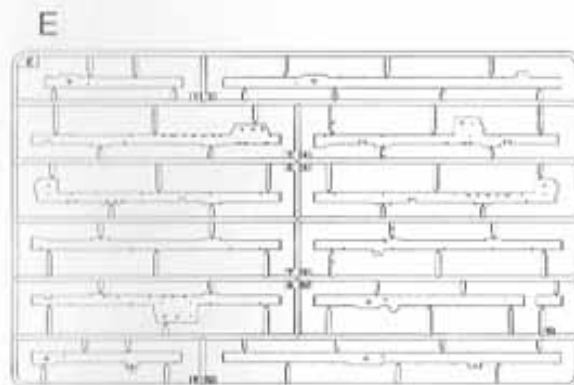
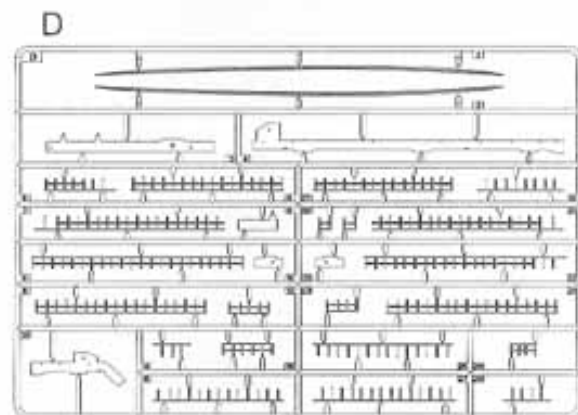
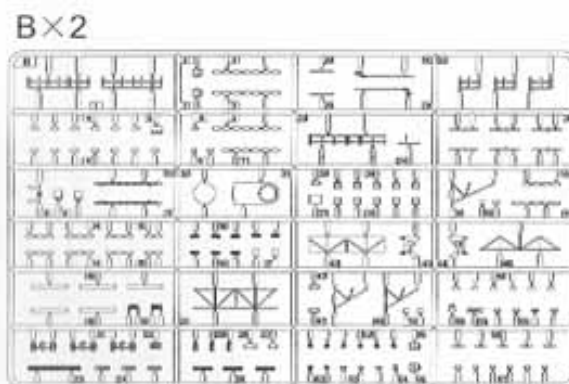
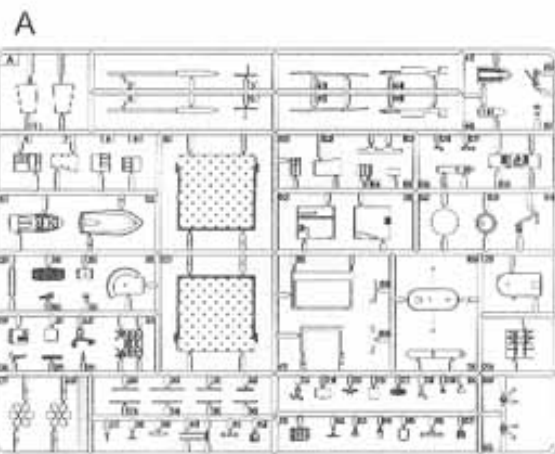


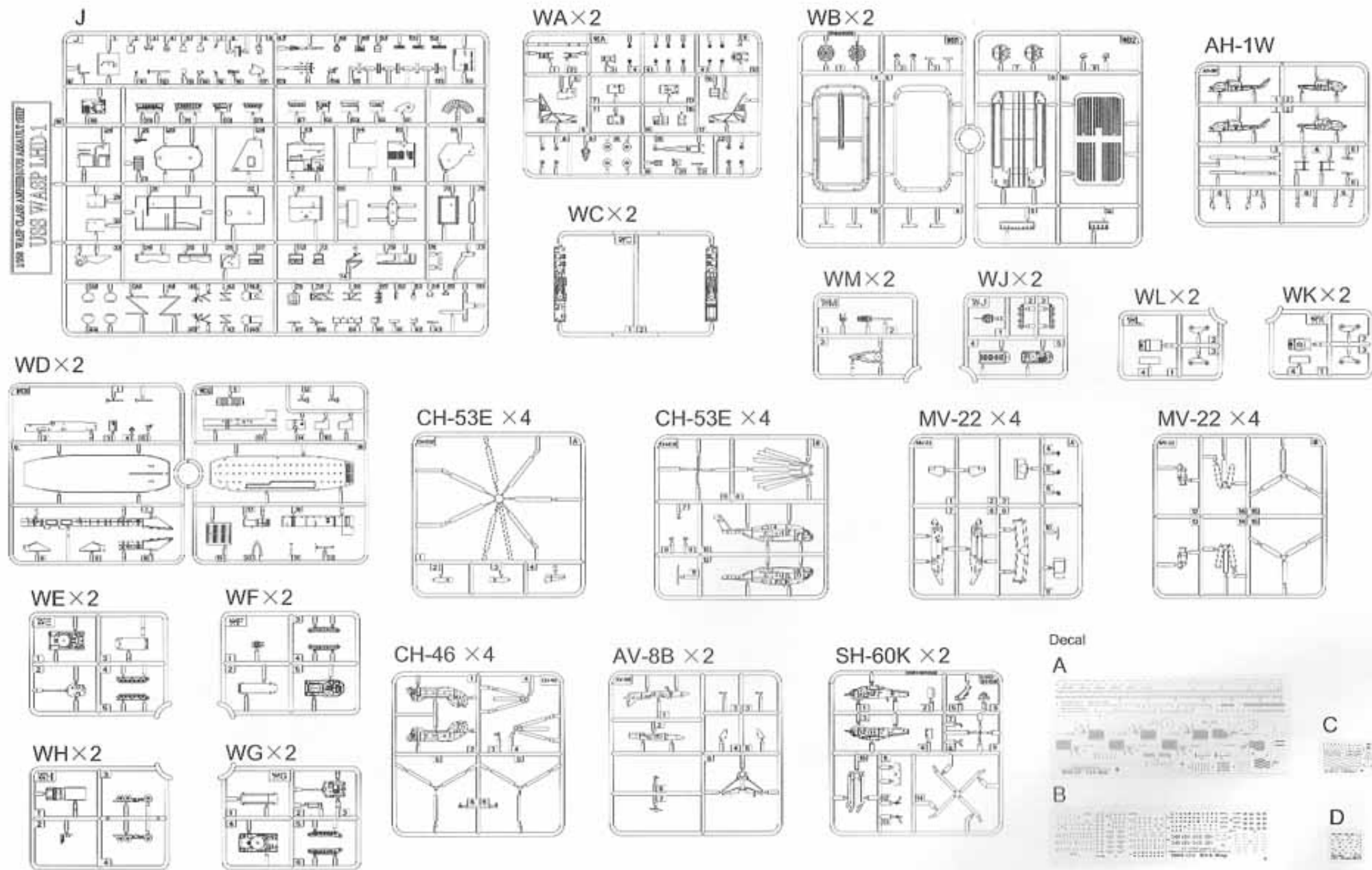
Photo etch B x 2



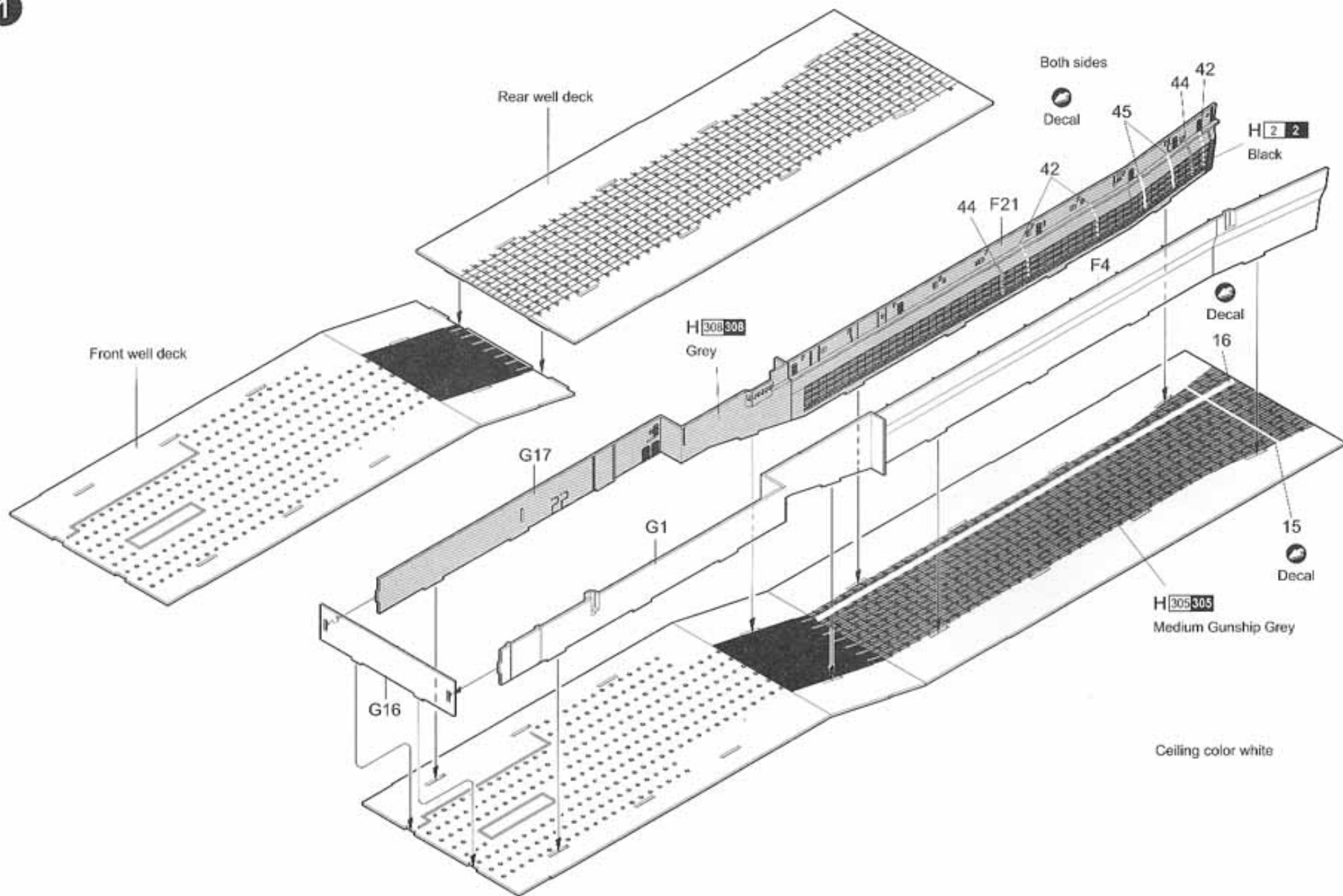
# Parts



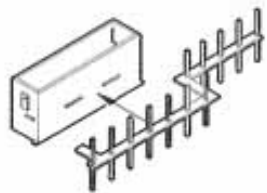
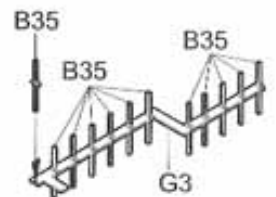
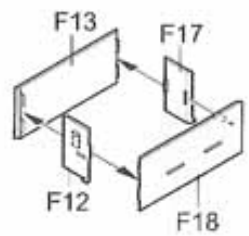
# Parts



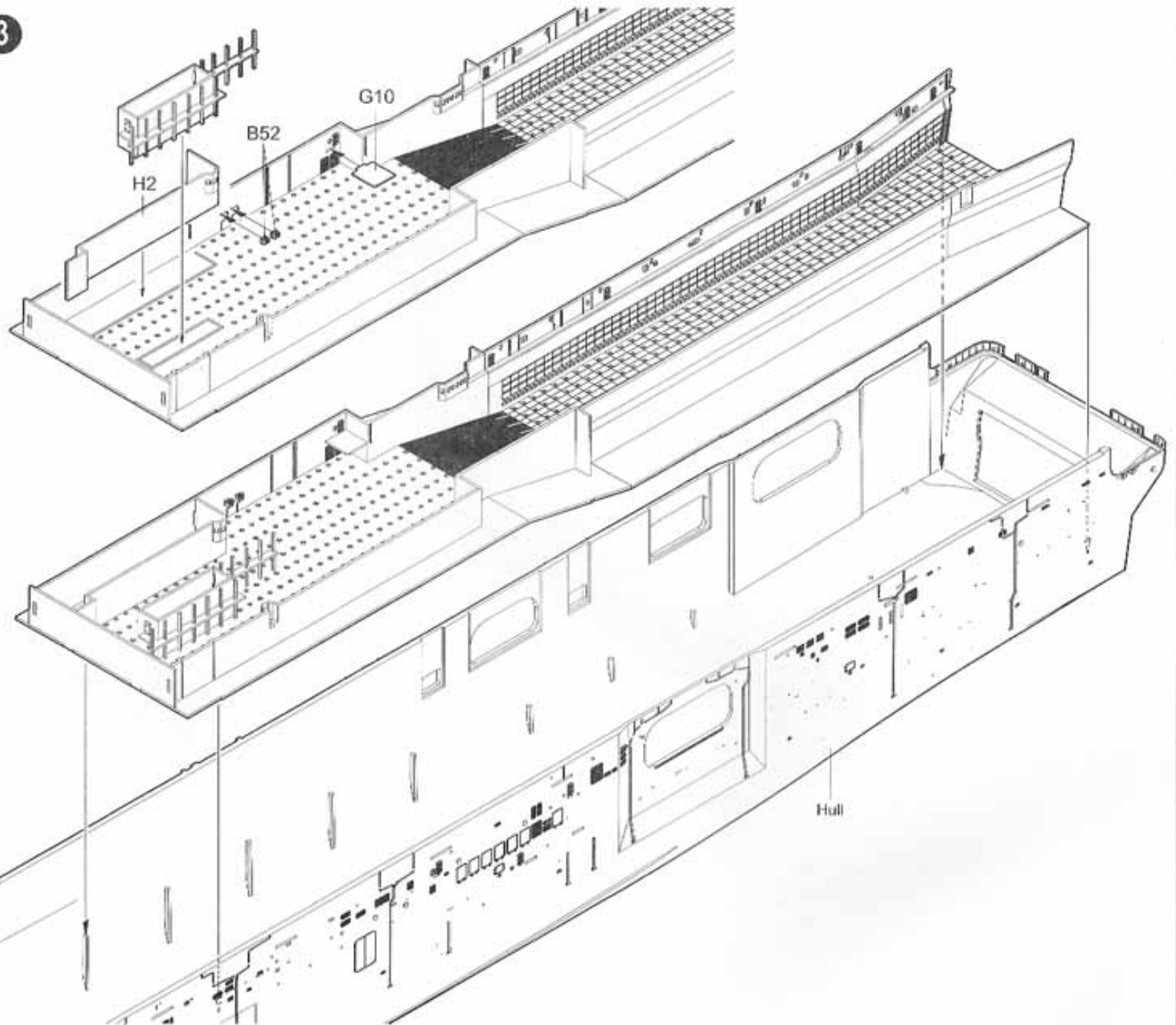
1



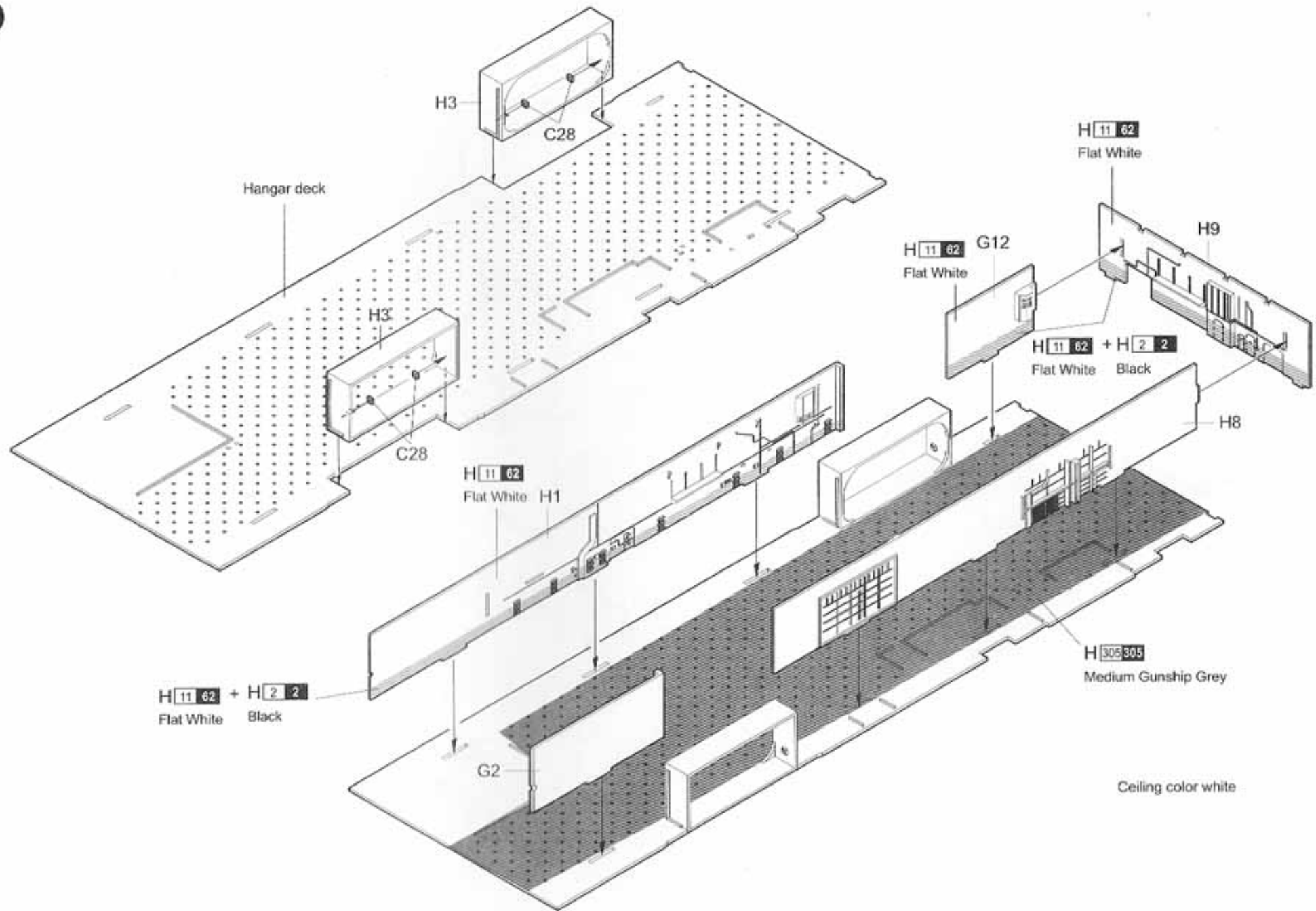
2



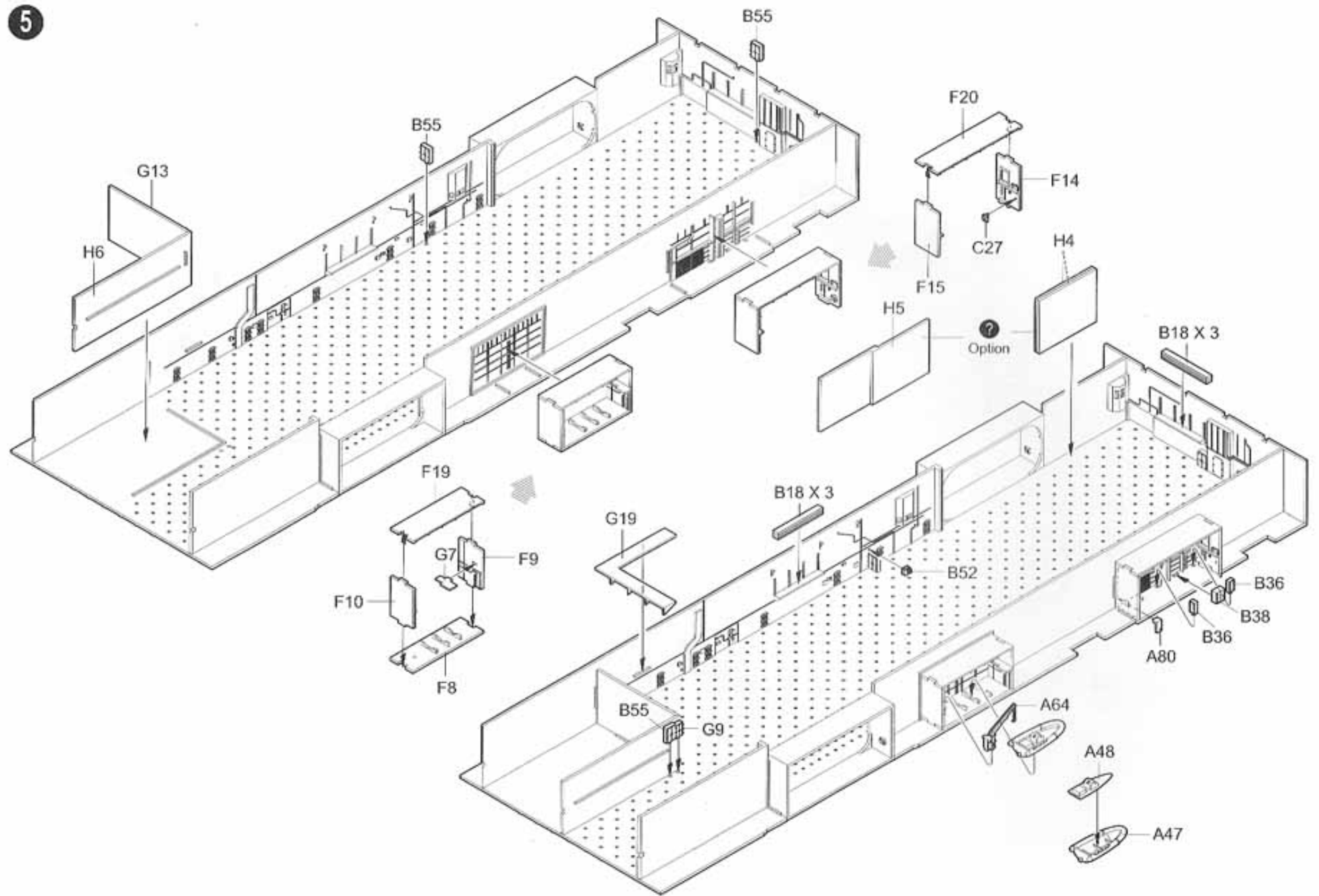
3



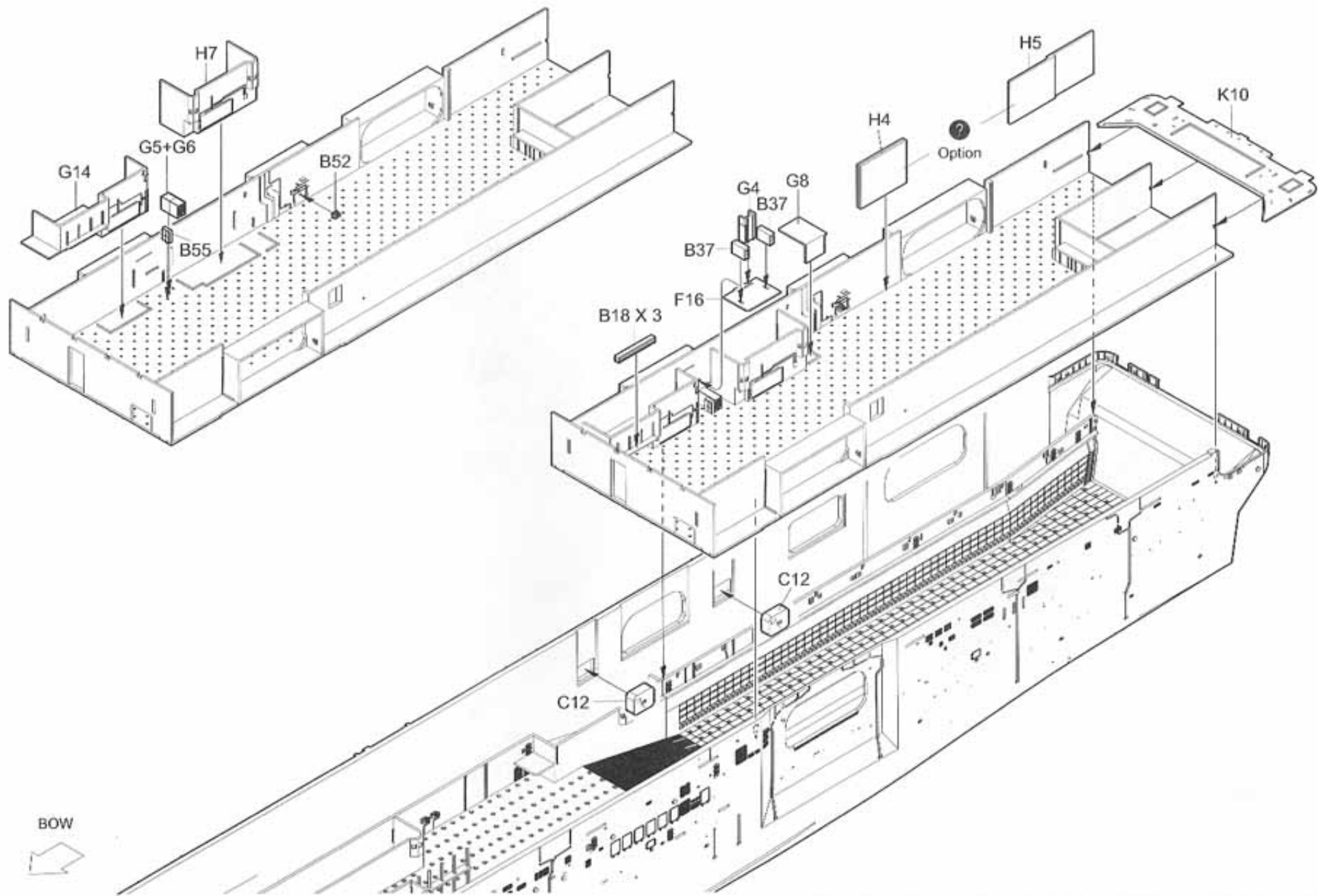
4



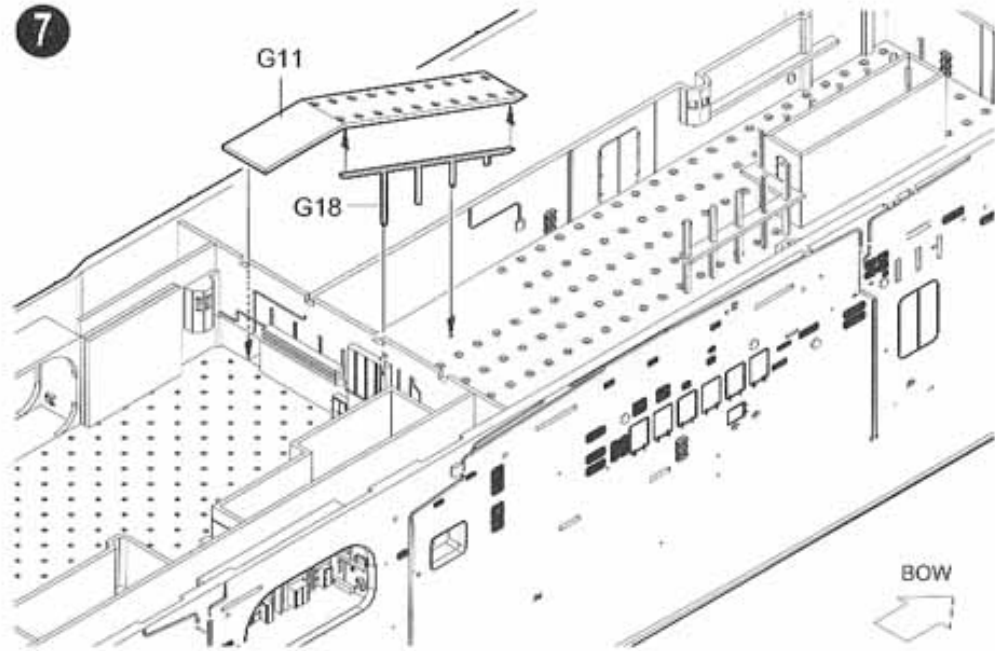
5



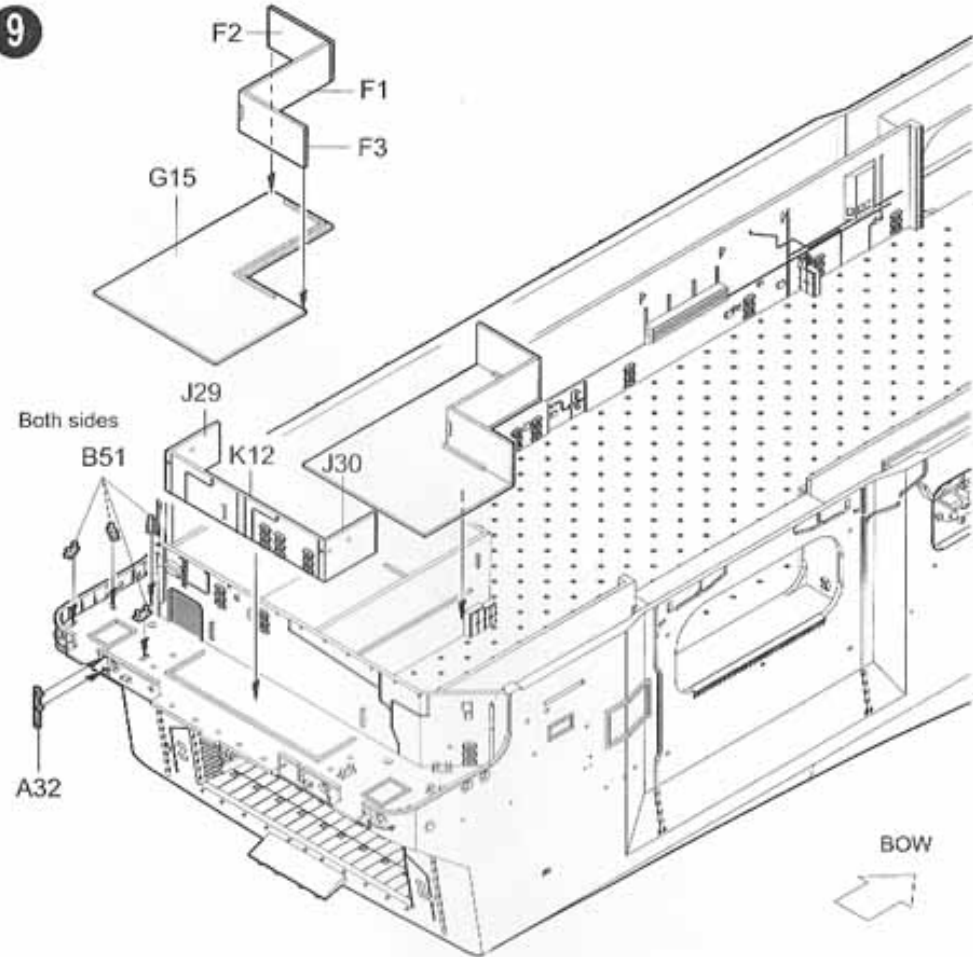
6



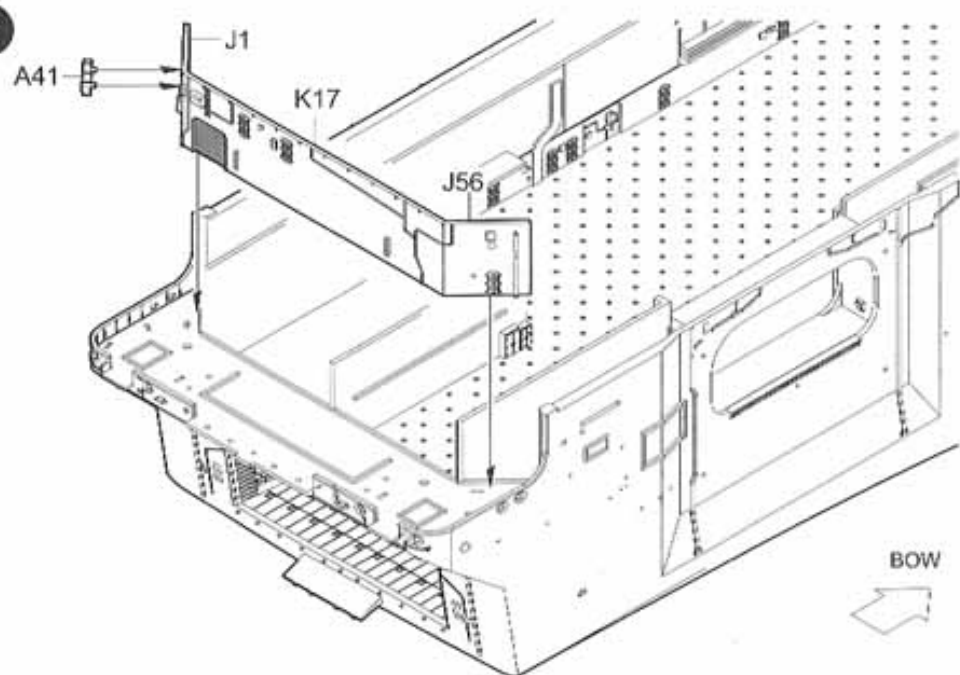
7



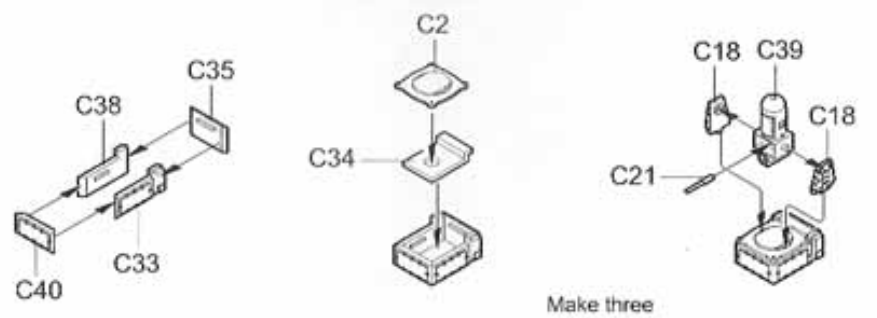
9

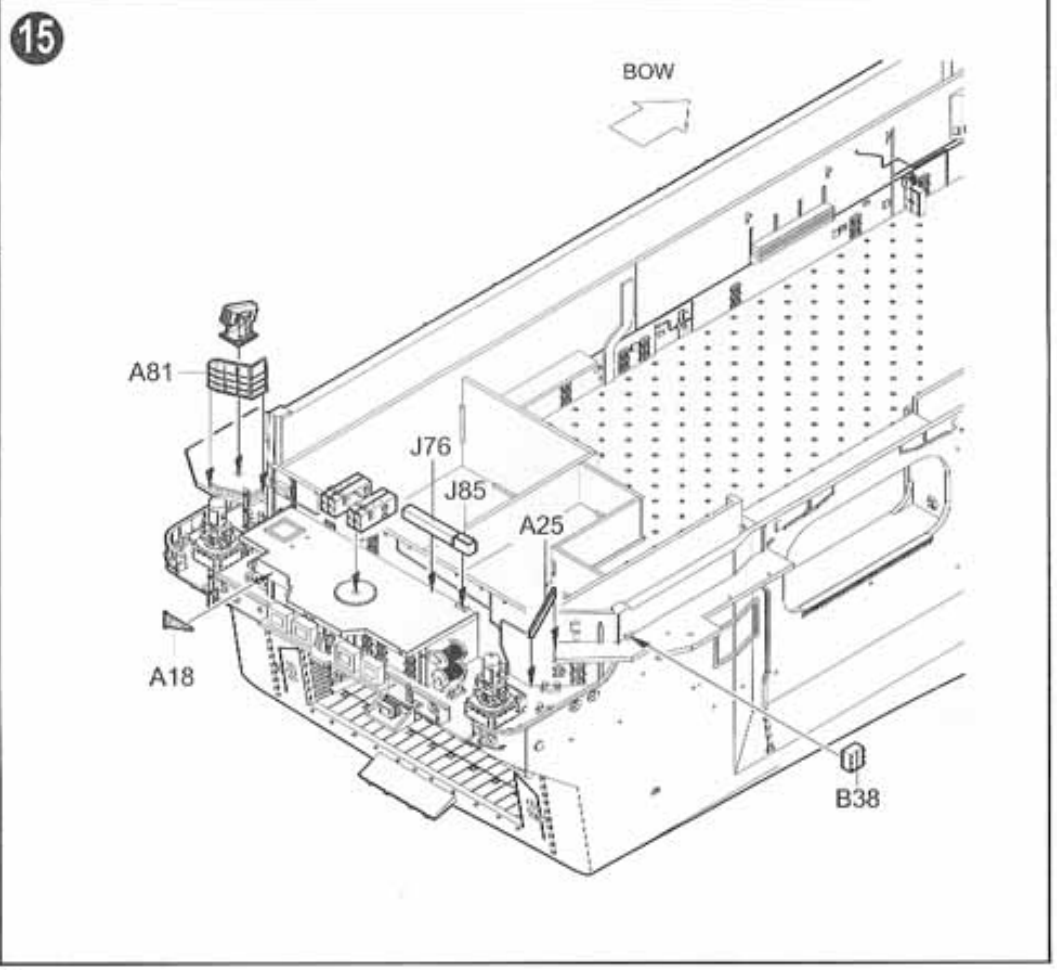
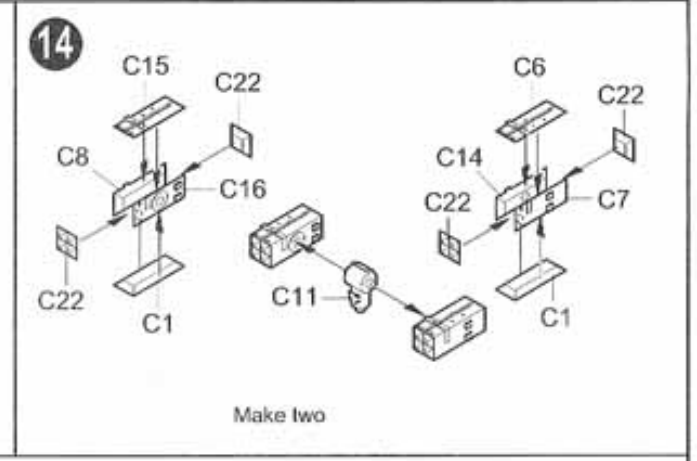
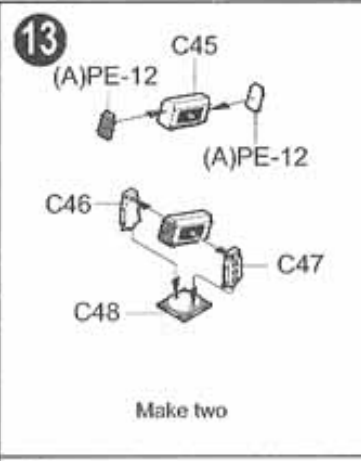
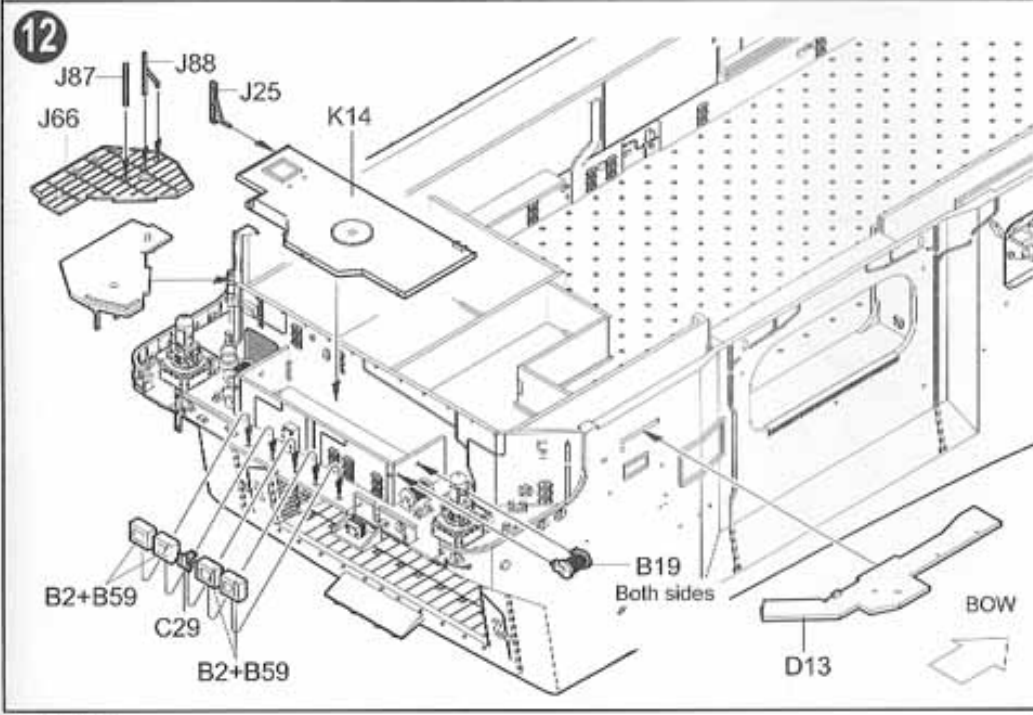
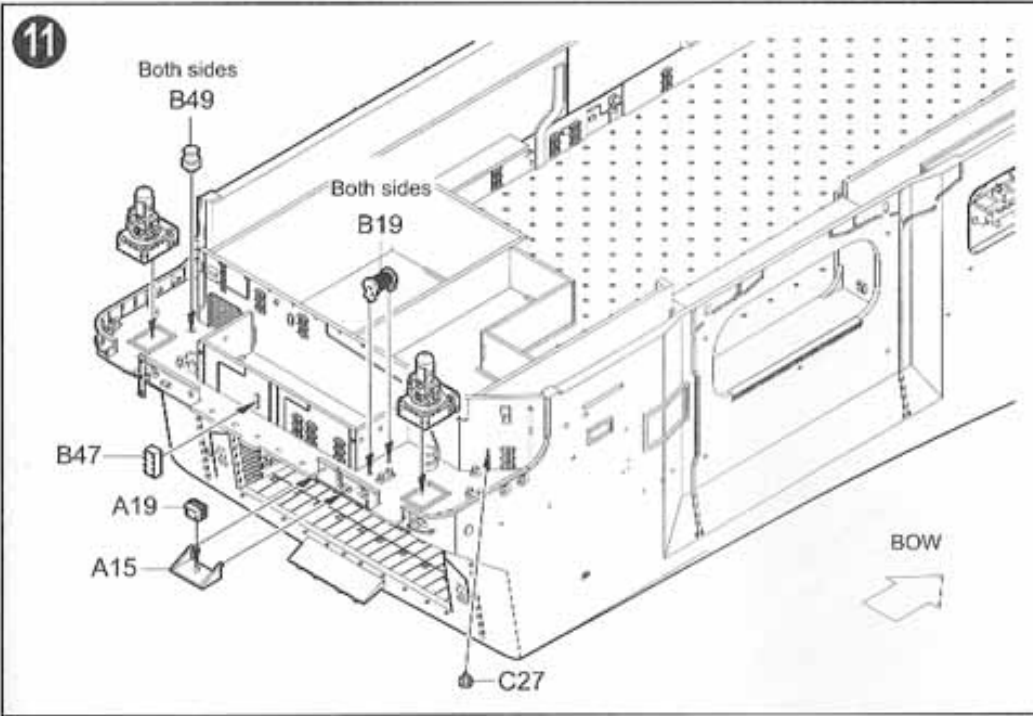


8

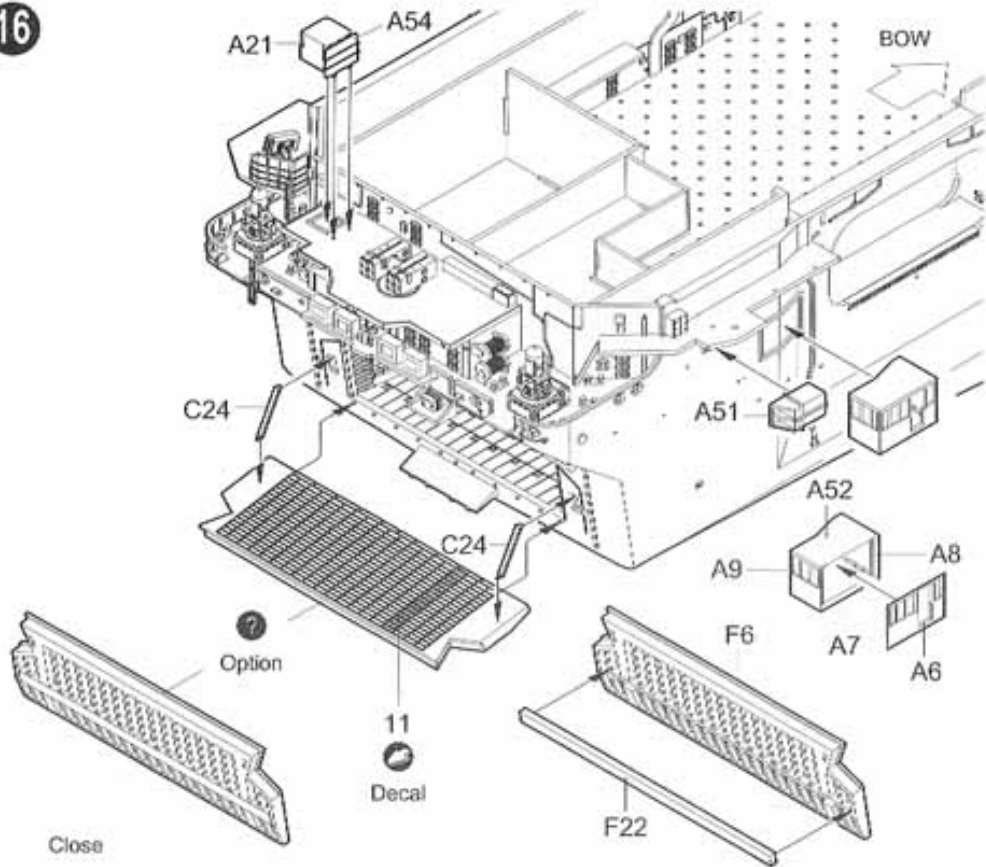


10

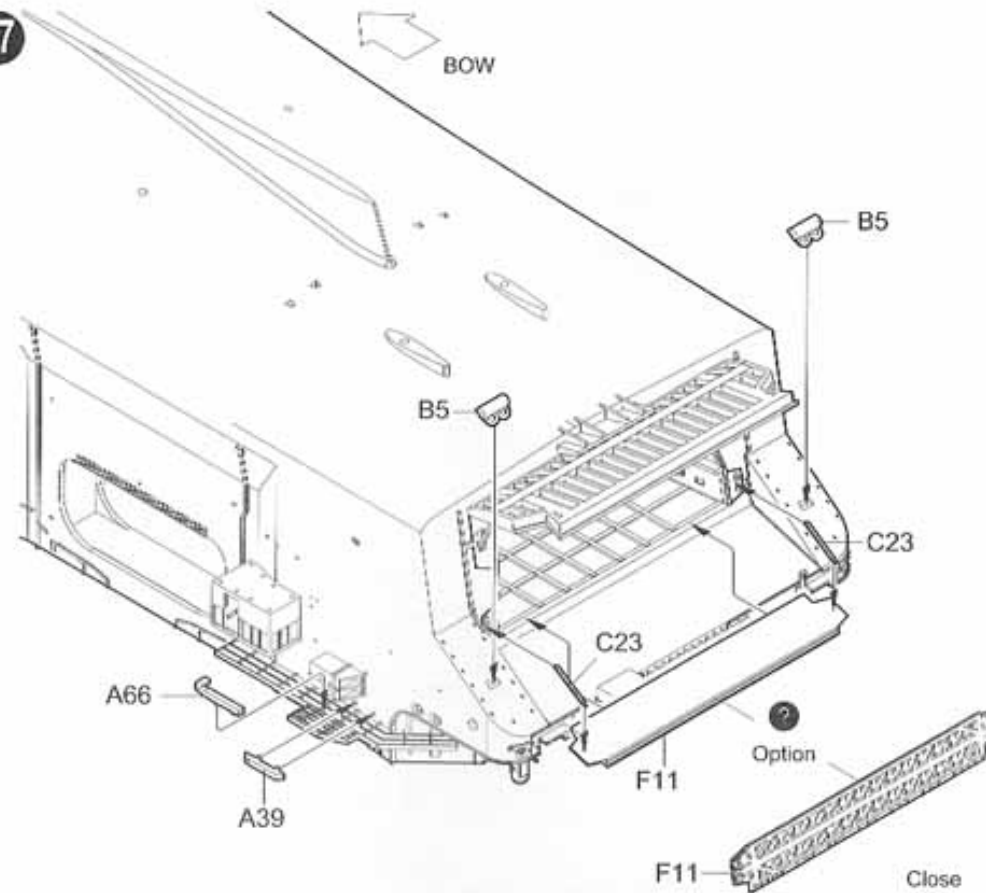




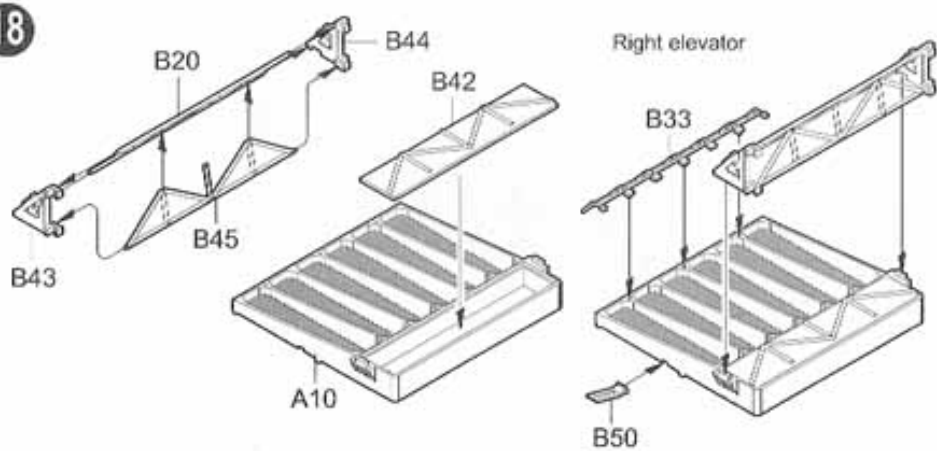
16



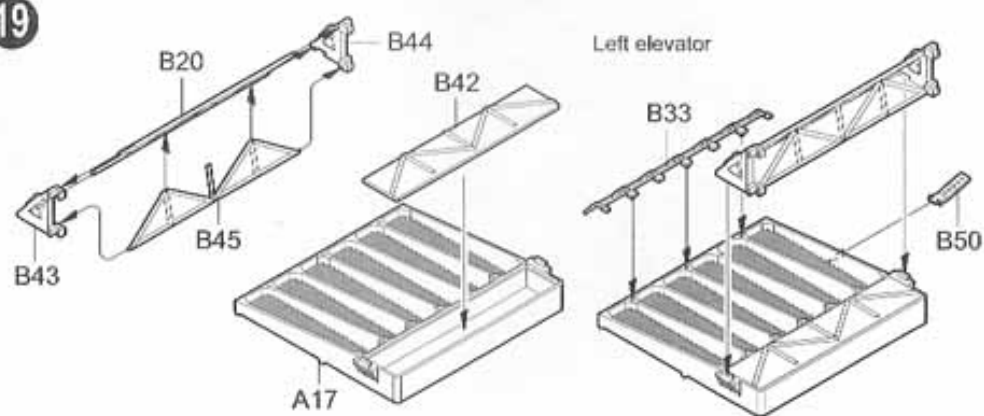
17



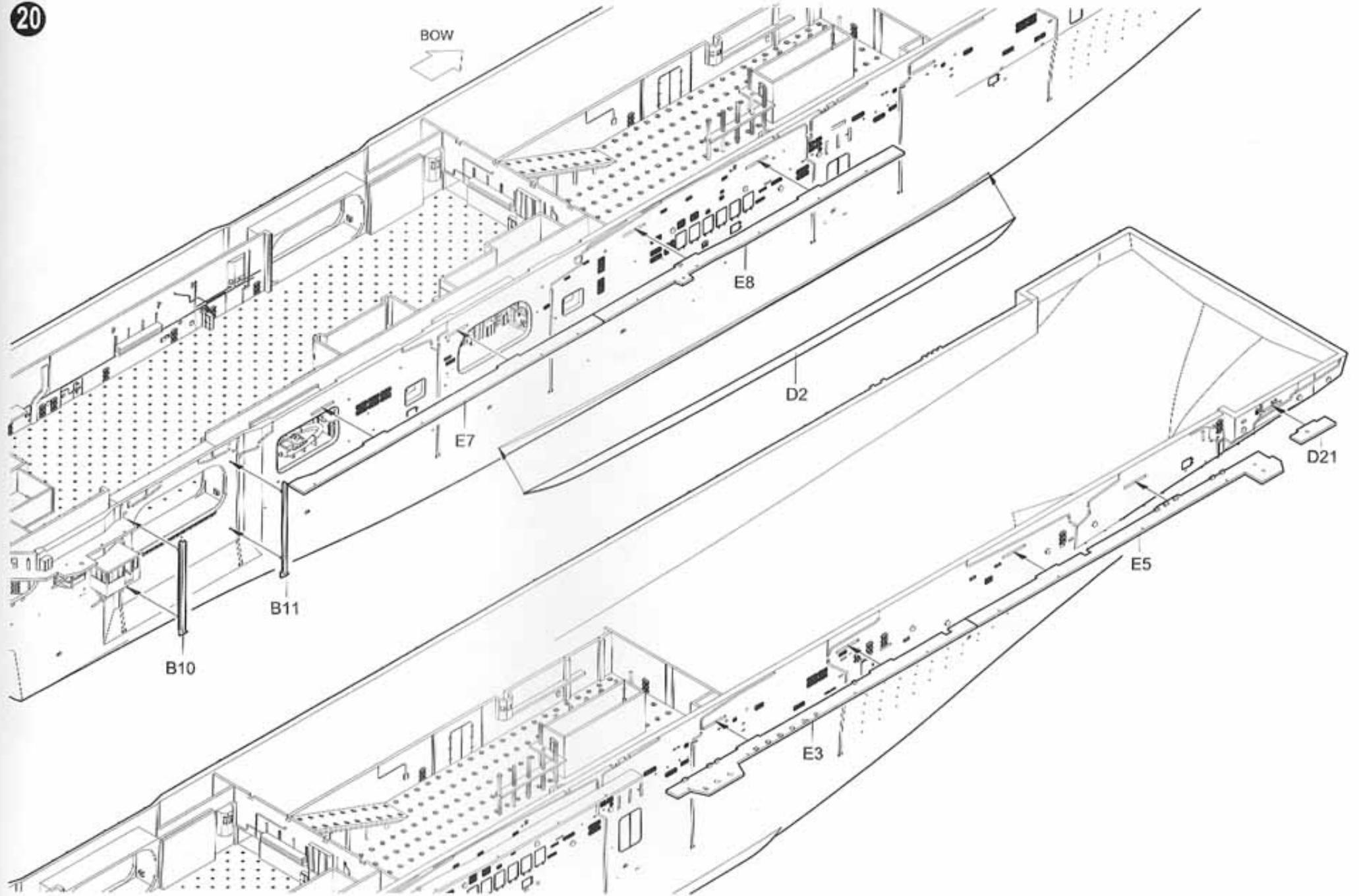
18



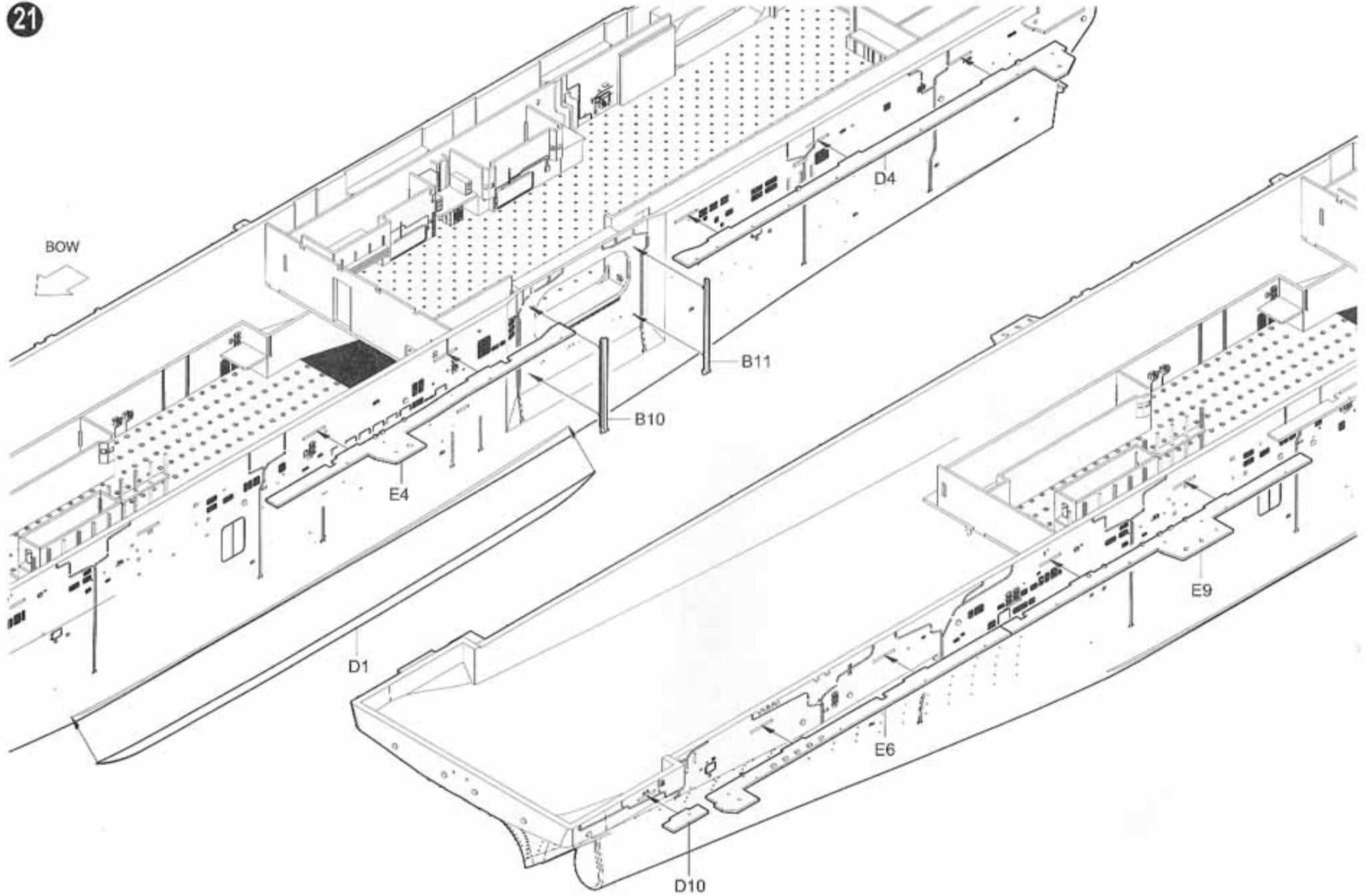
19

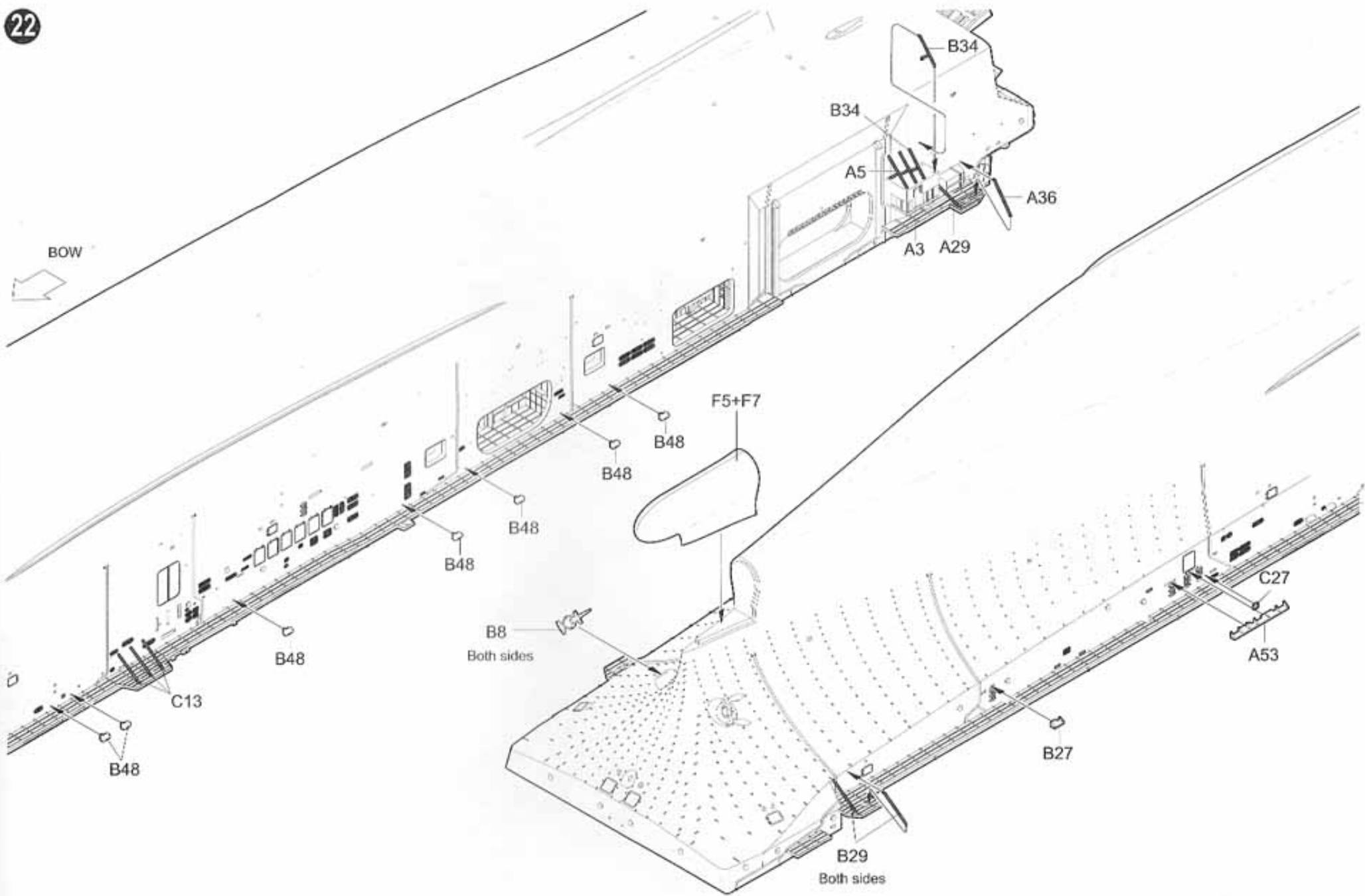


BOW

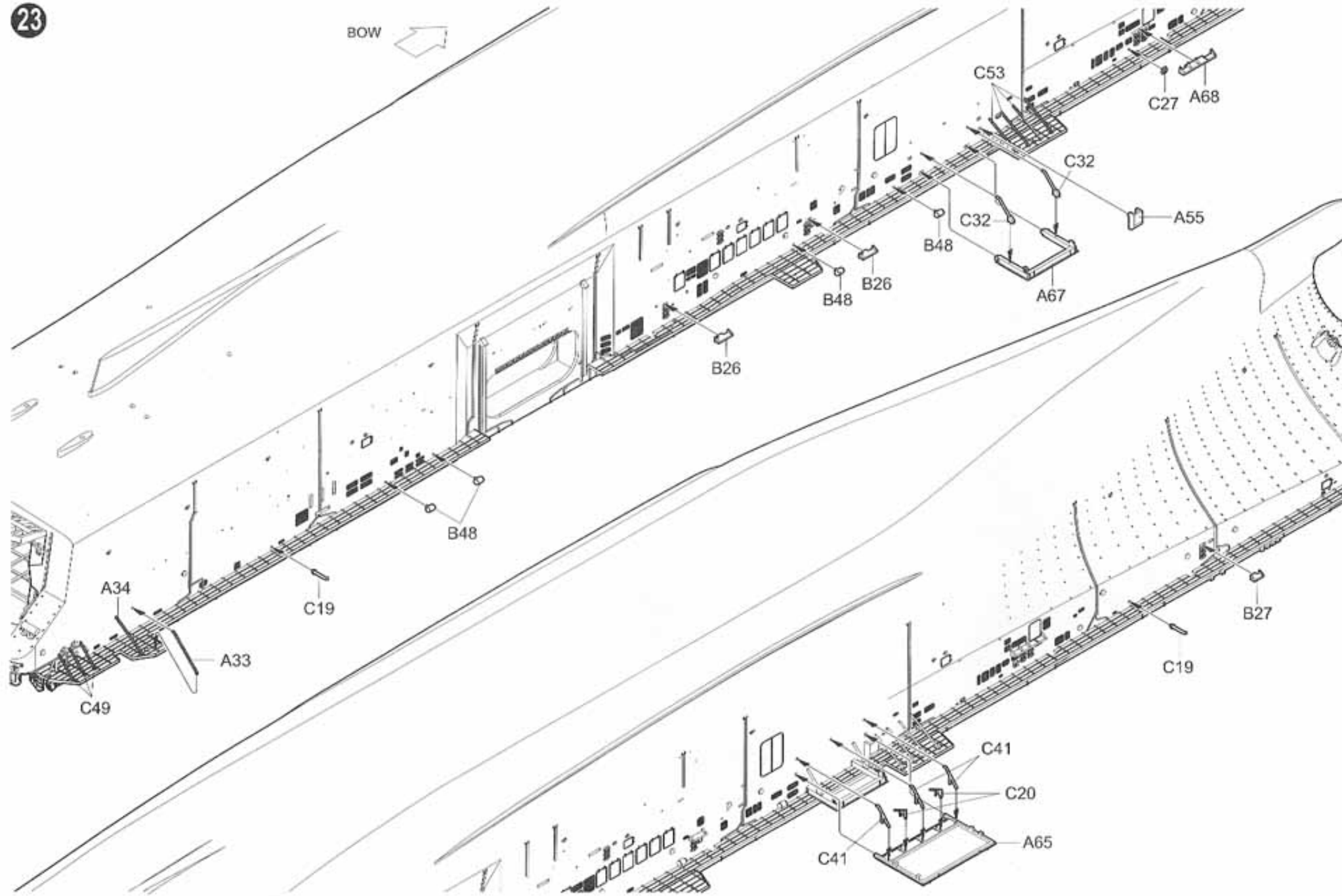


21

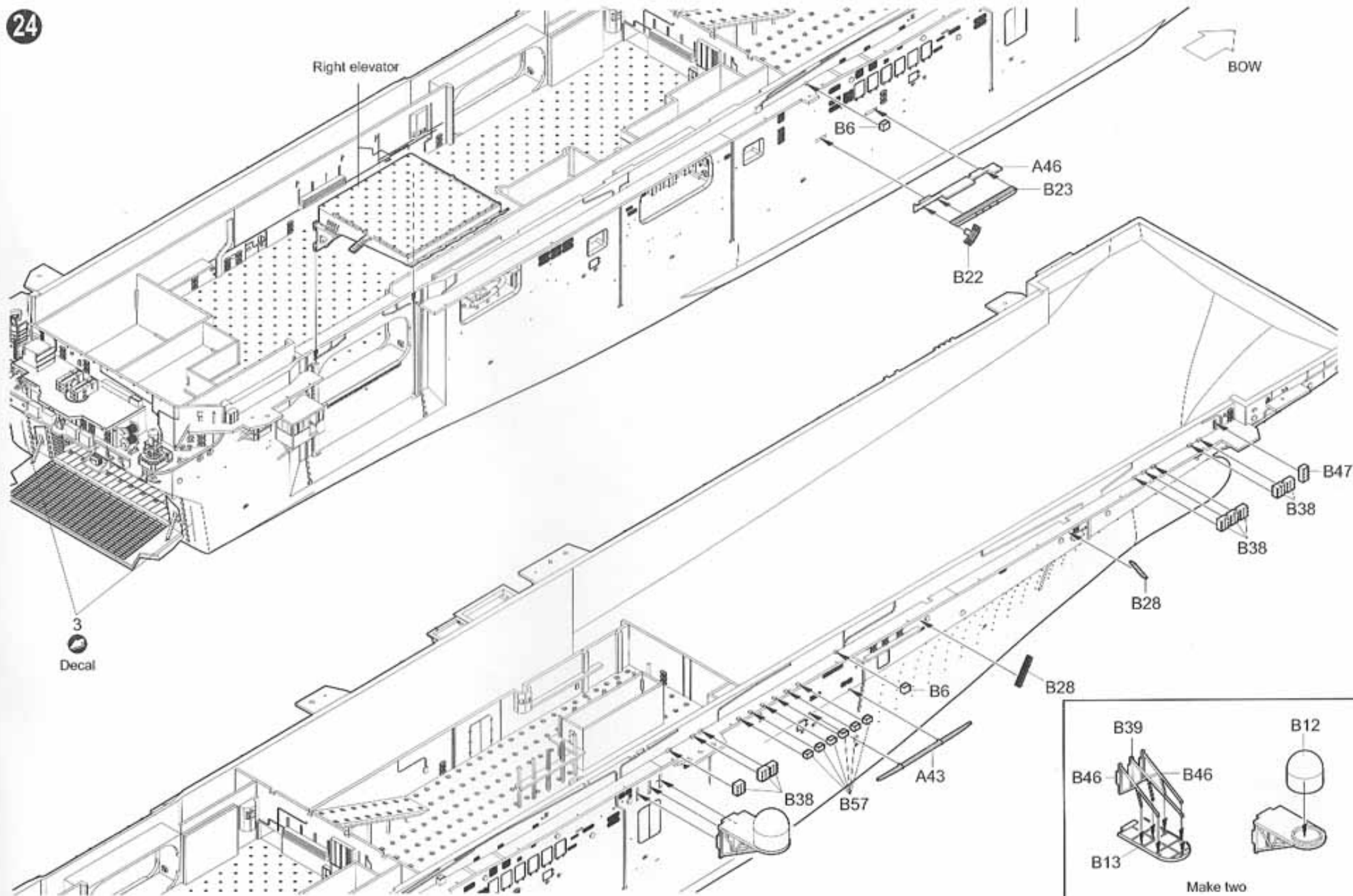




BOW



24



25



Left elevator

K20

B38

B38

C31

C27

B28

A44

B22

B23

B6

B38

B57

C31

C27

B57

B38

BOW

B38

B28

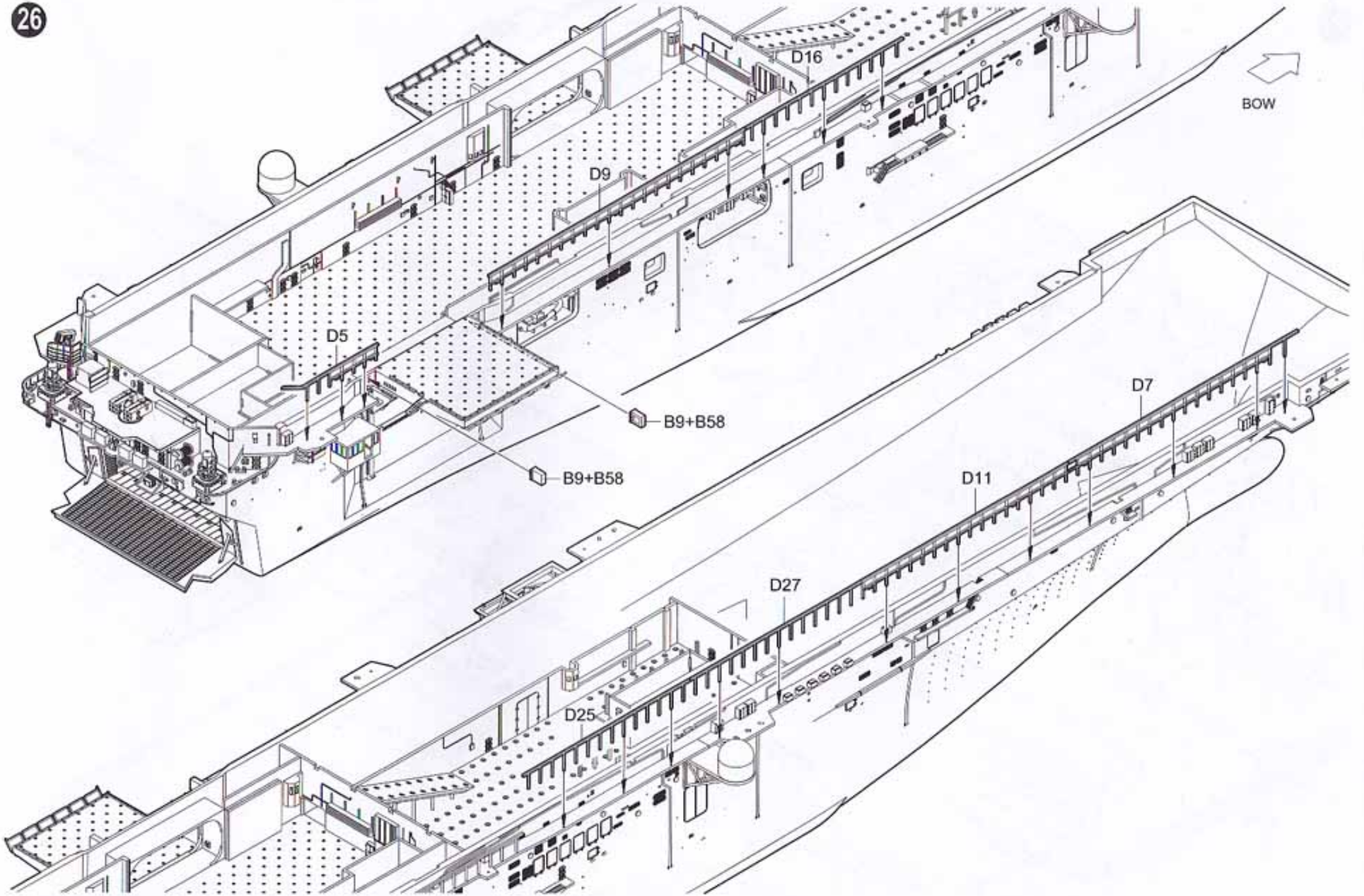
A45

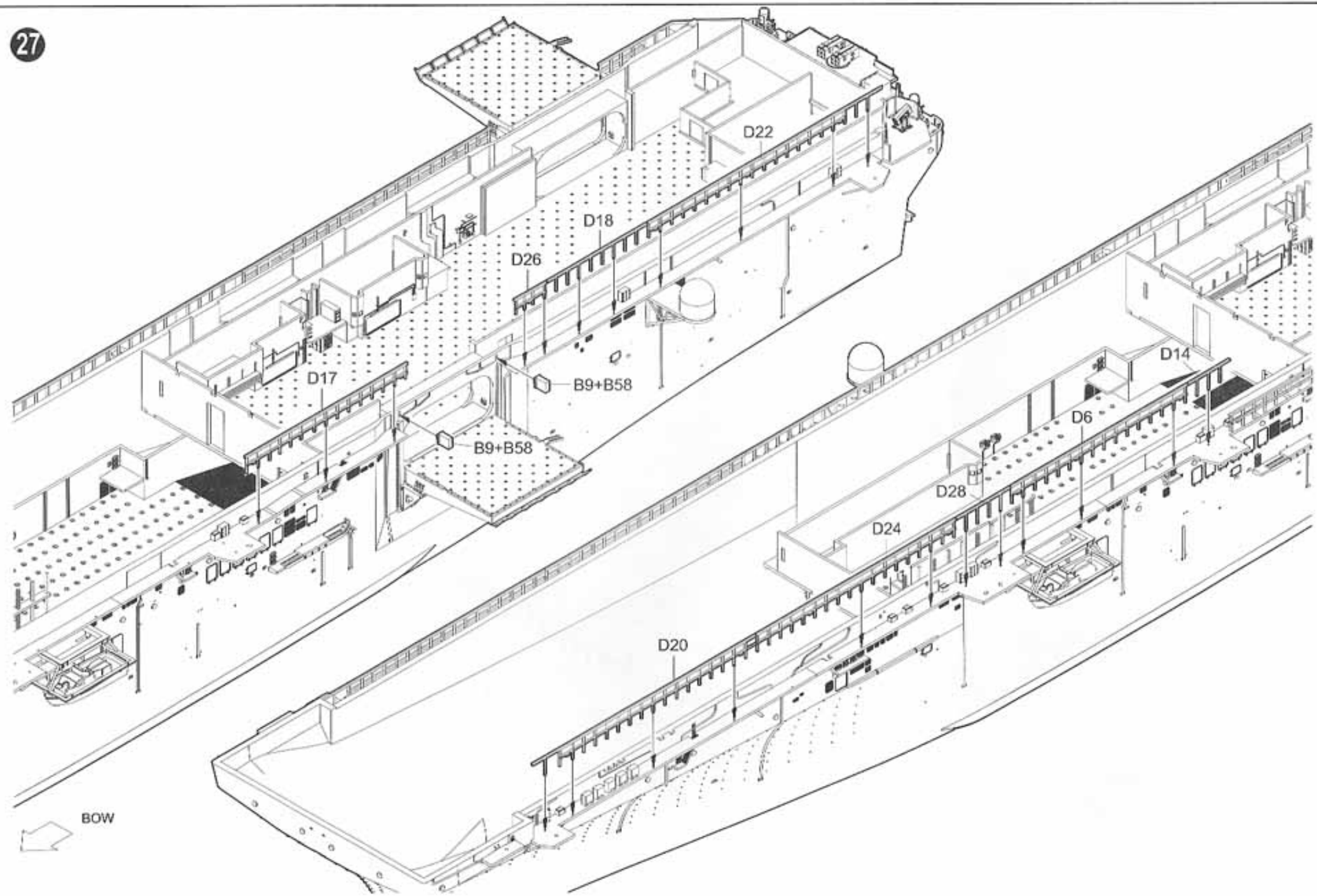
B57

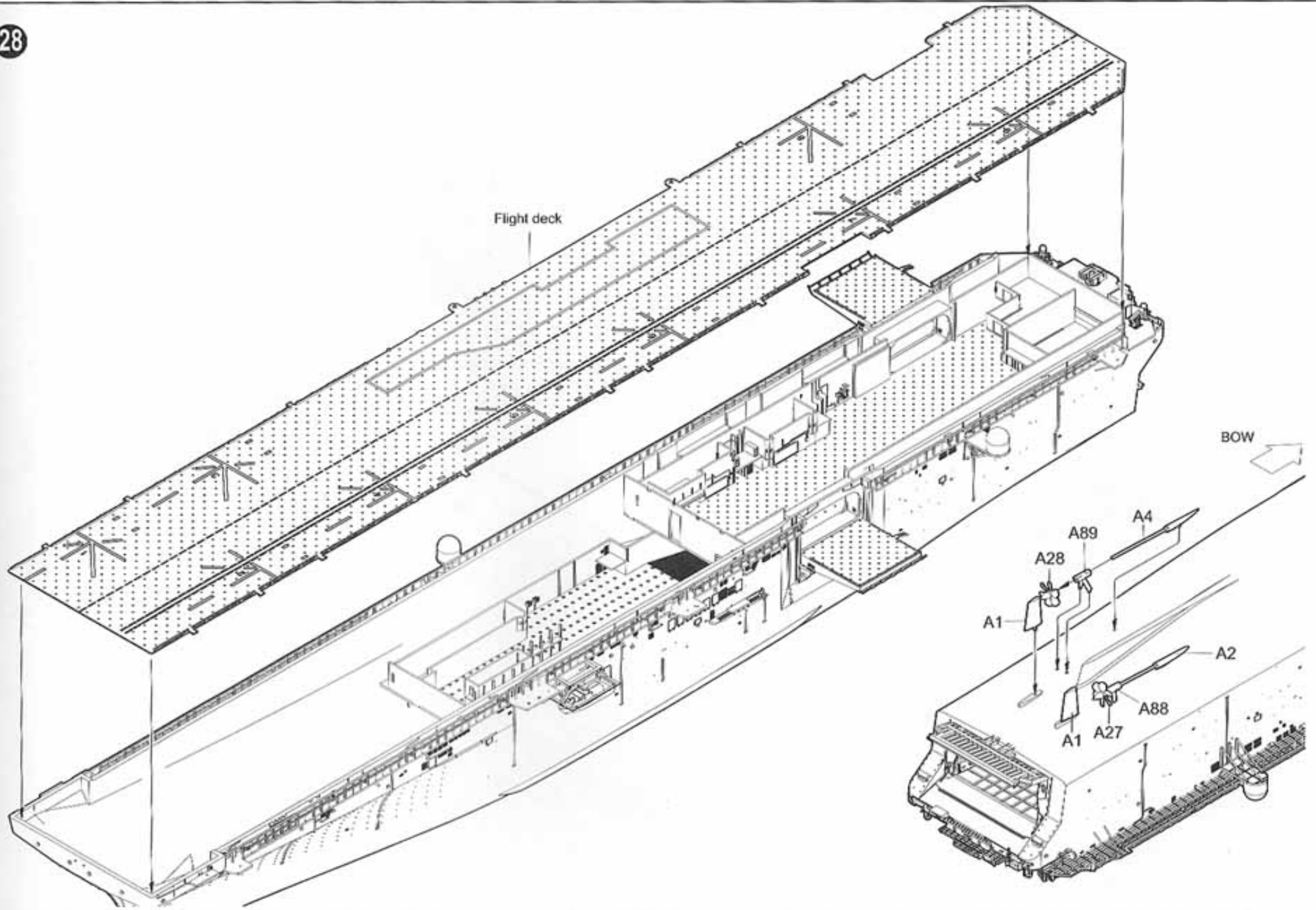
B28

B47

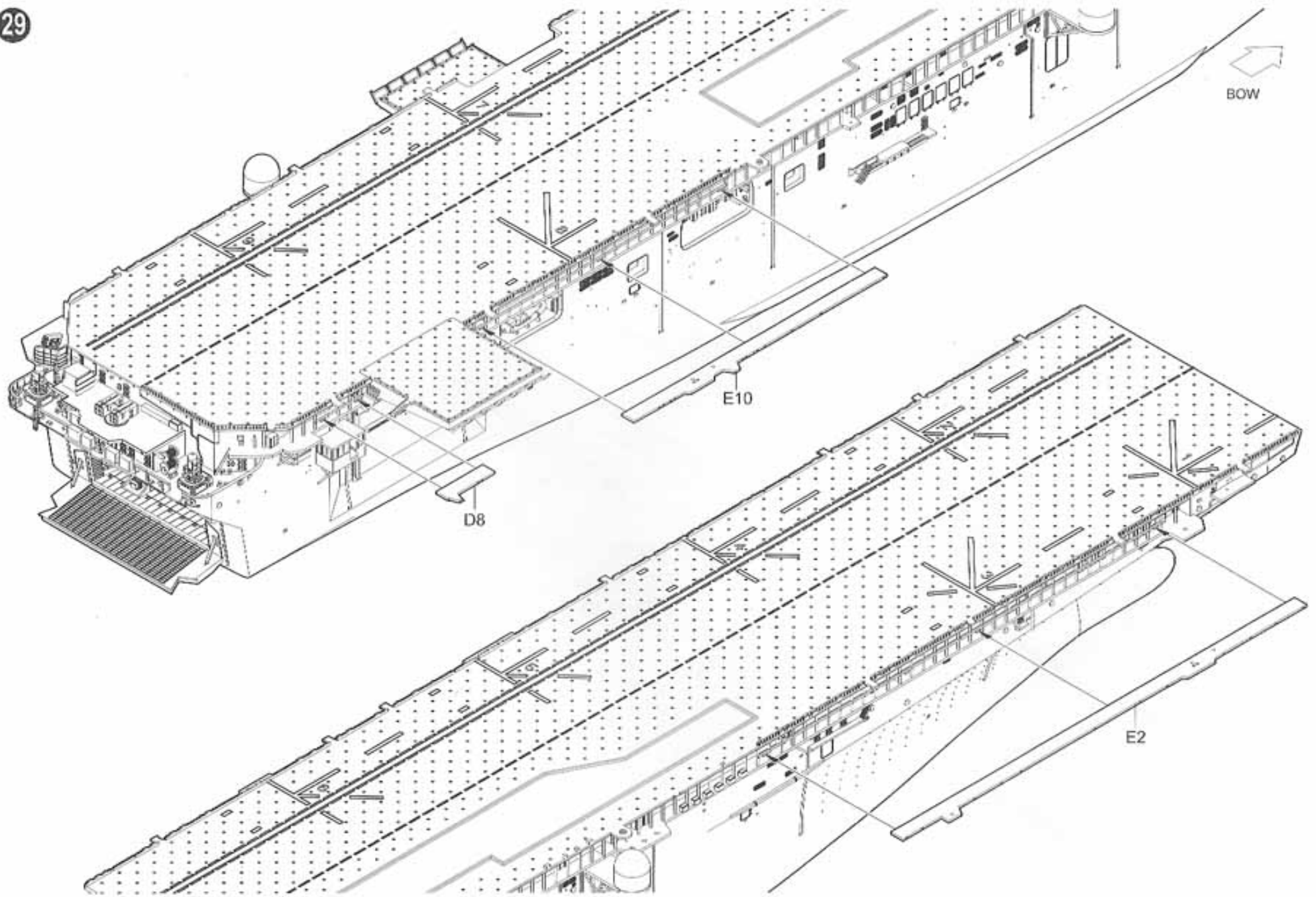
B57

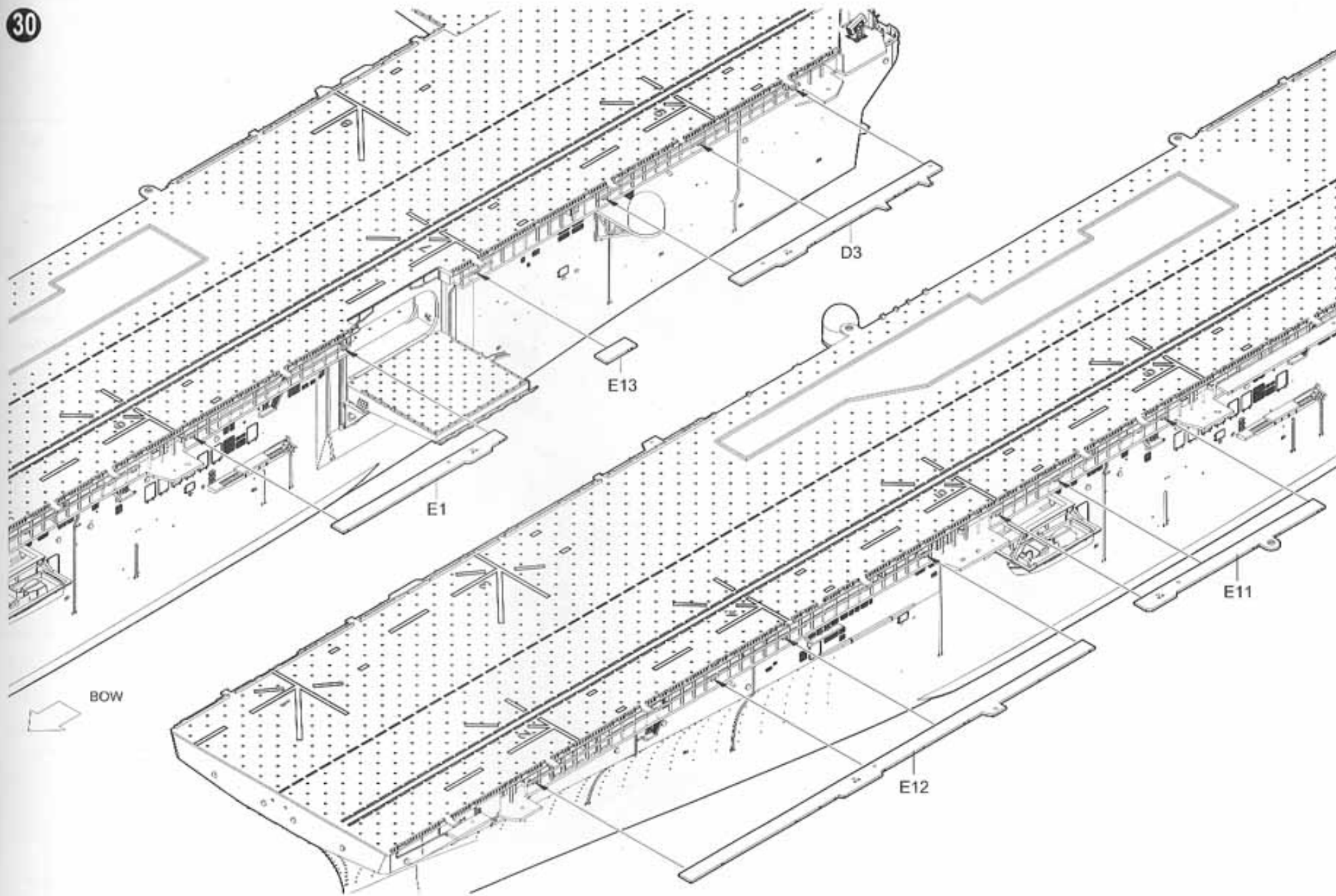




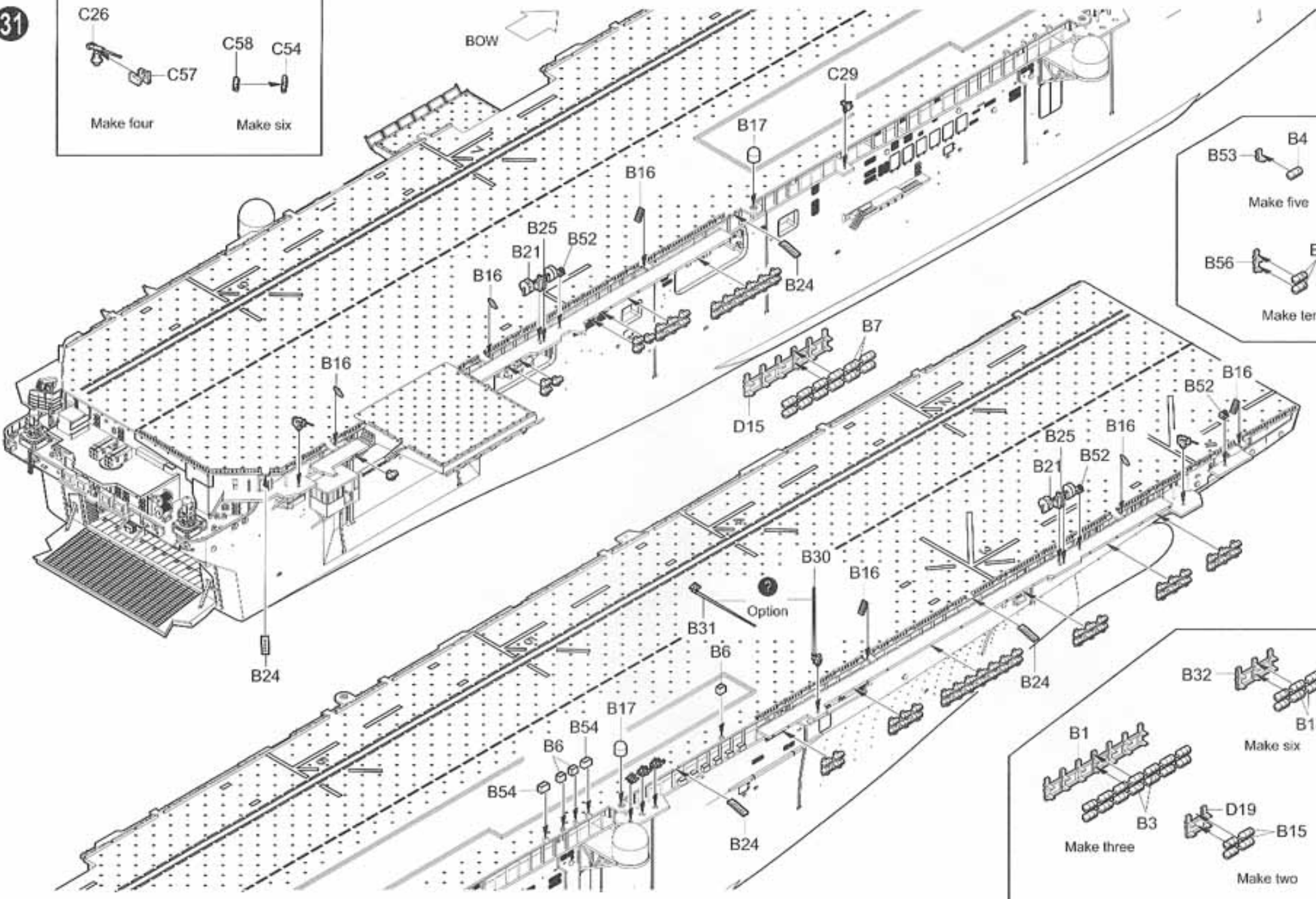
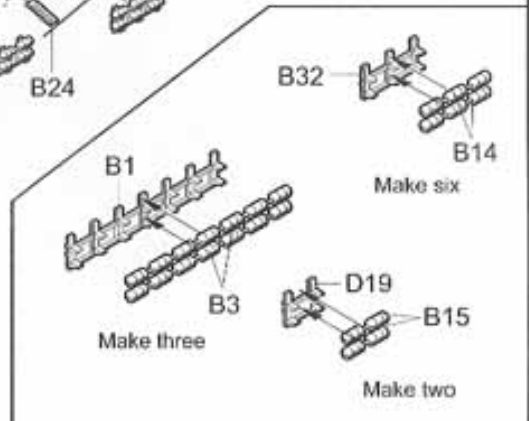
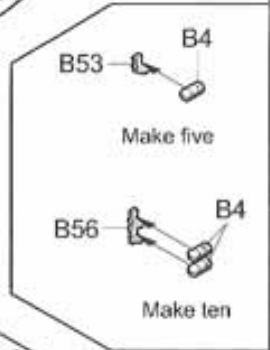
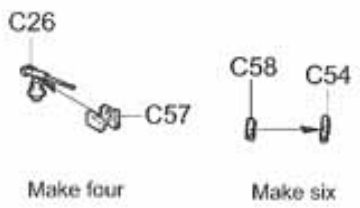


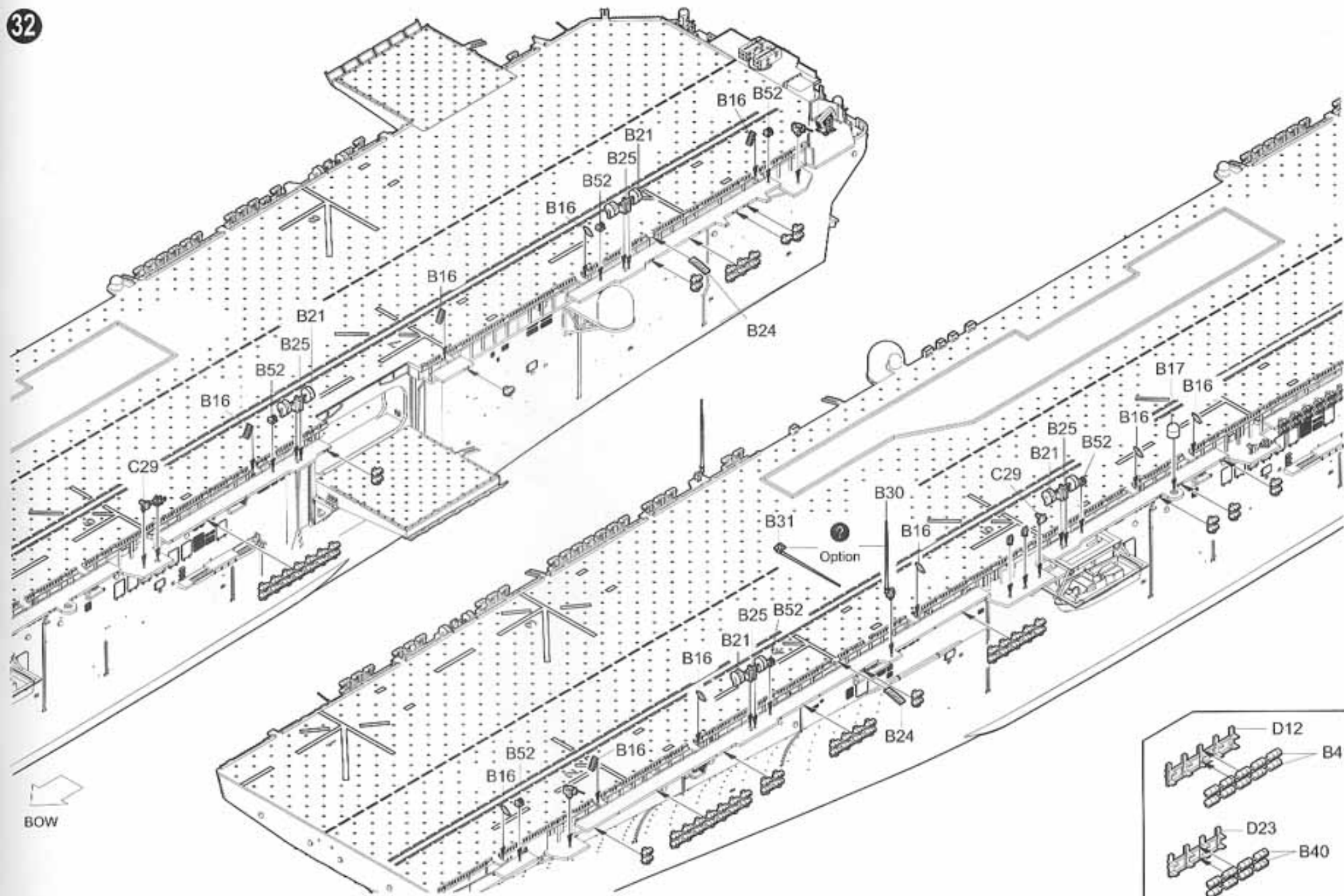
29

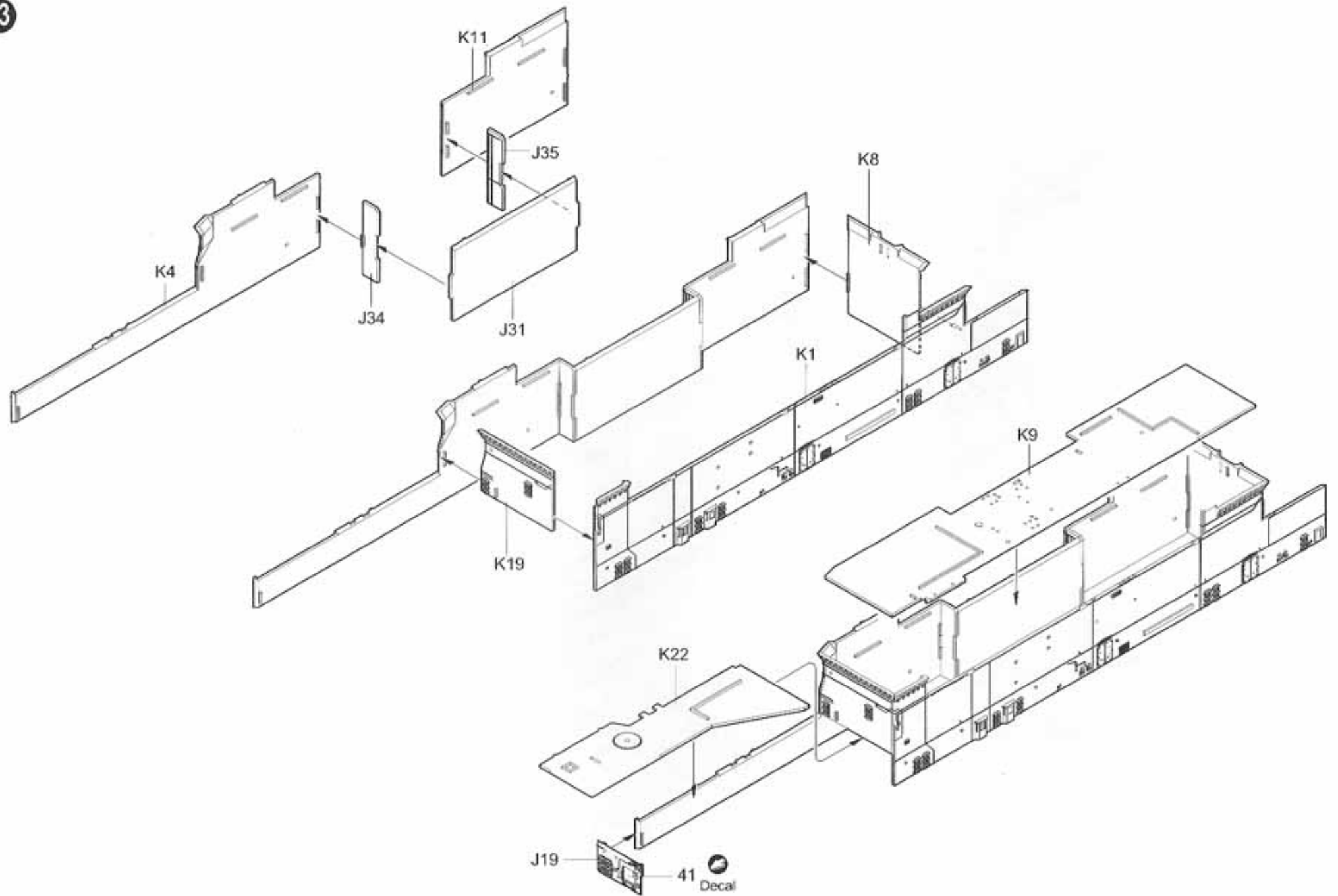




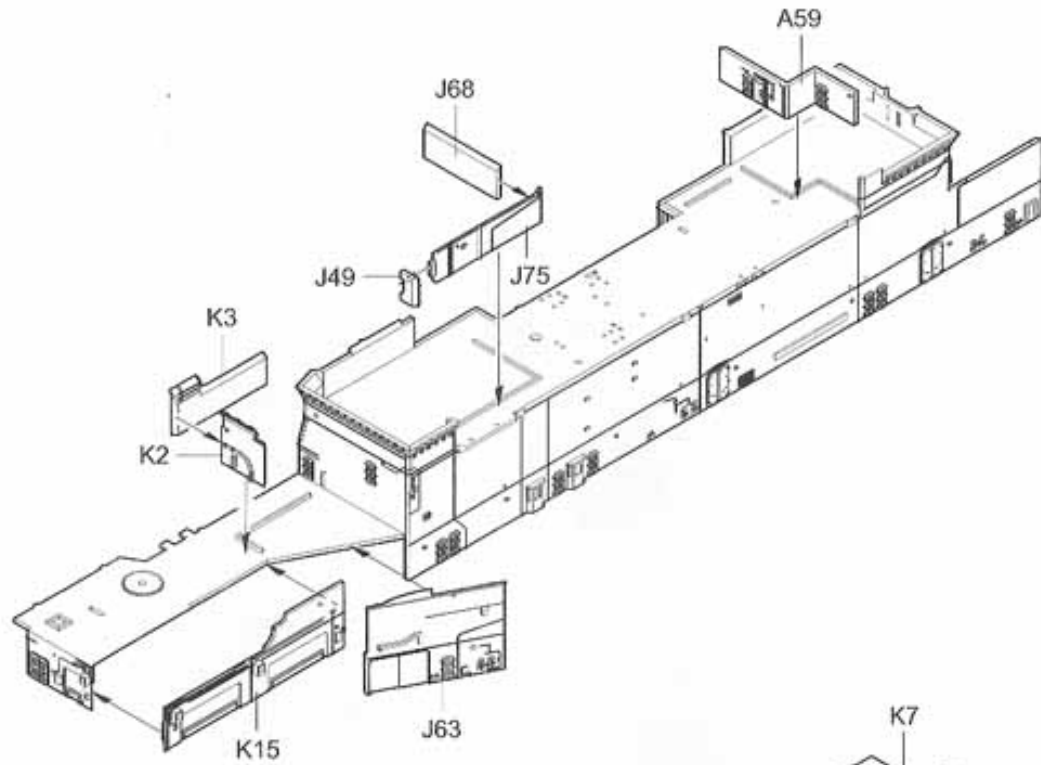
31



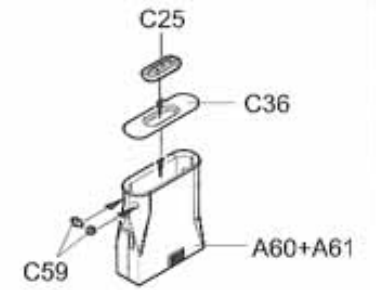




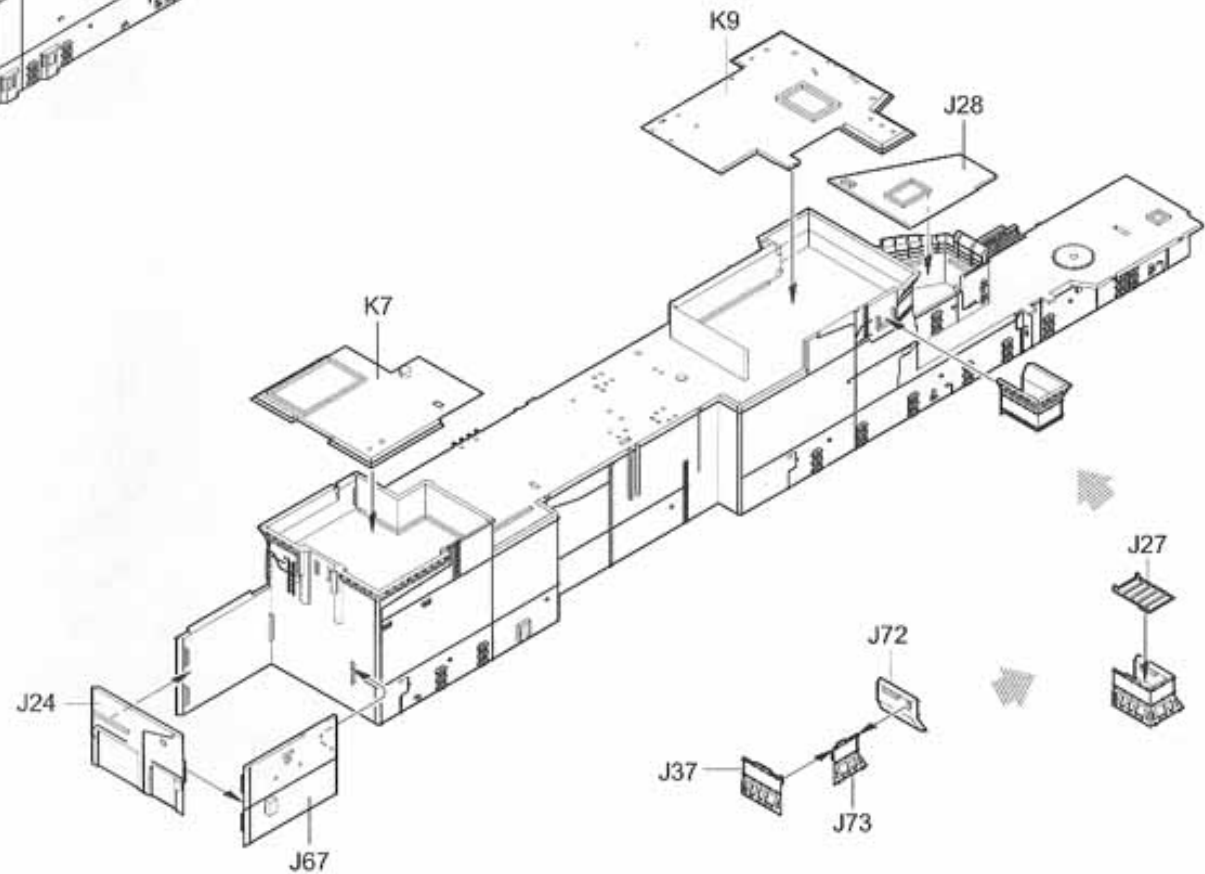
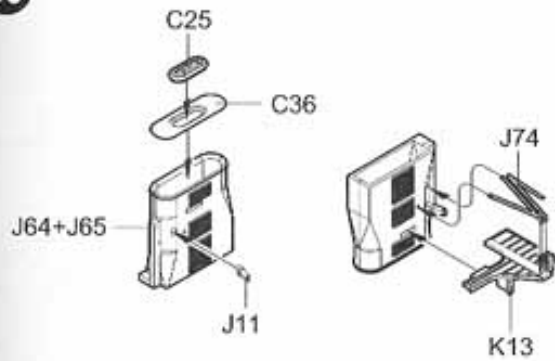
34



36



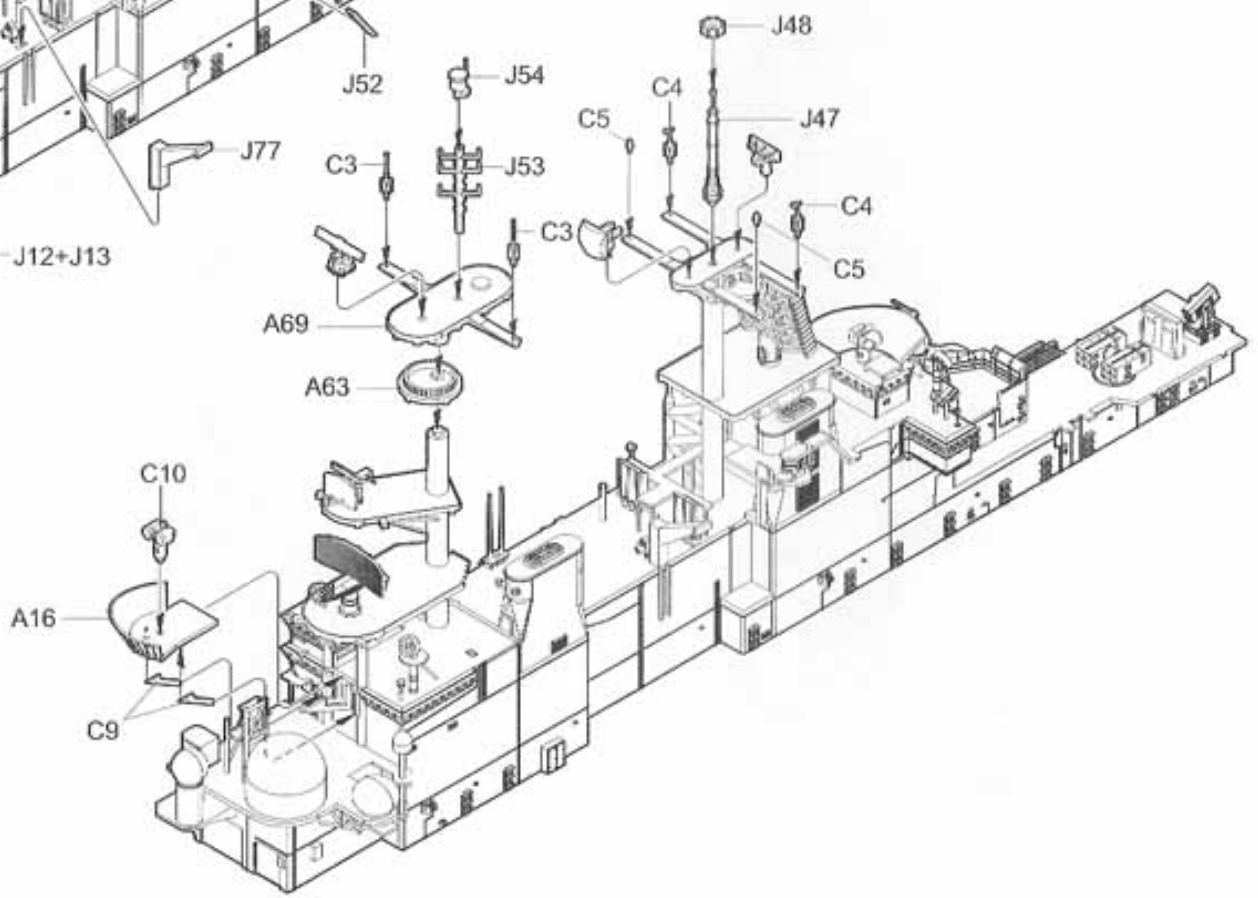
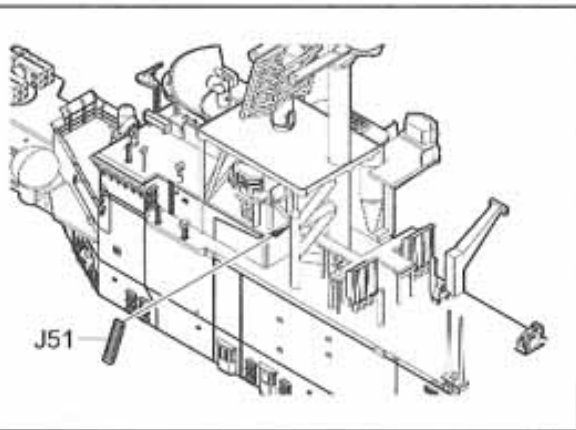
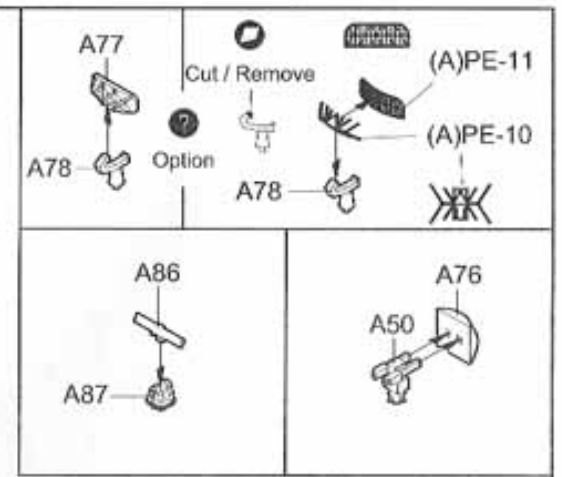
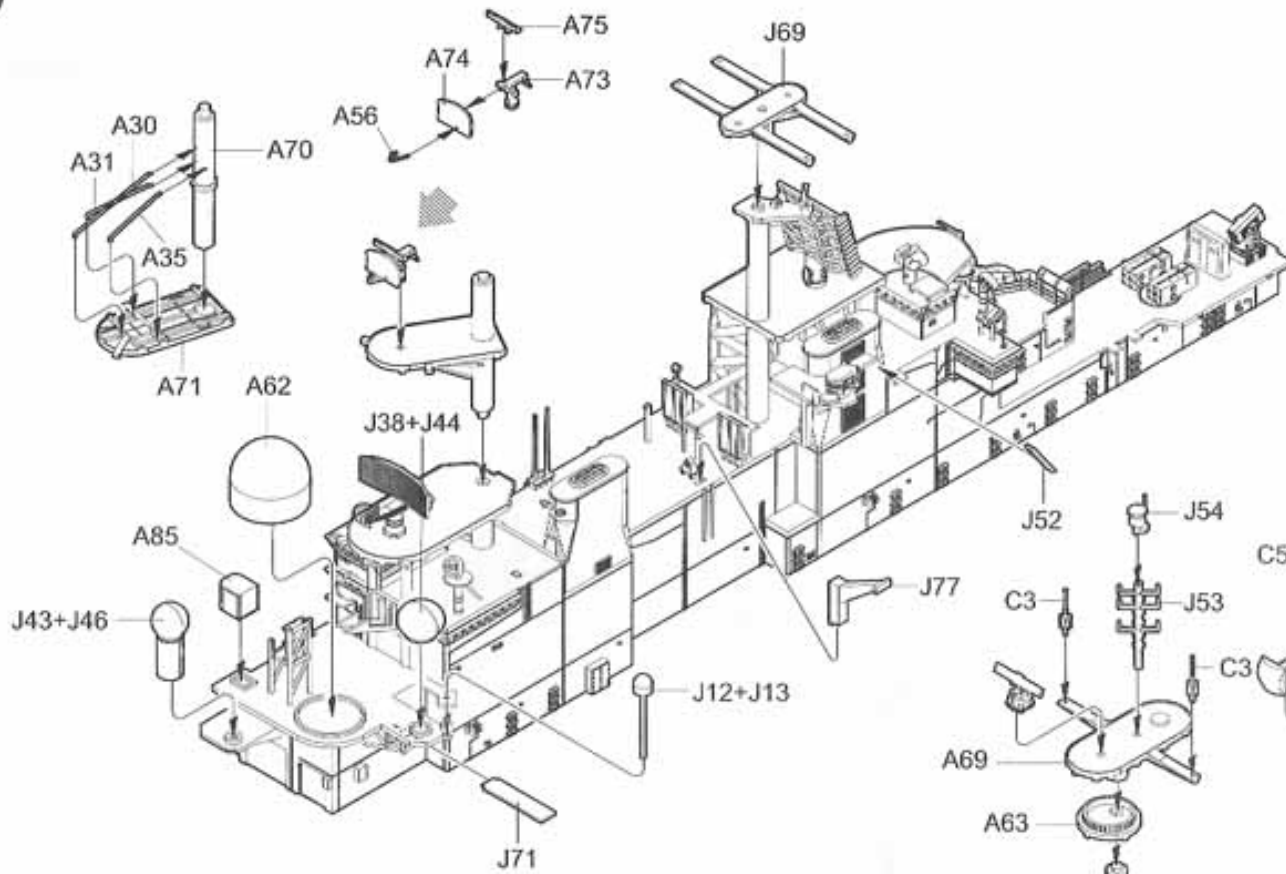
35

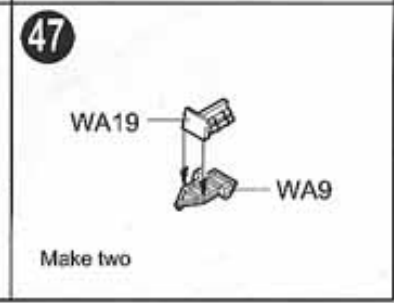
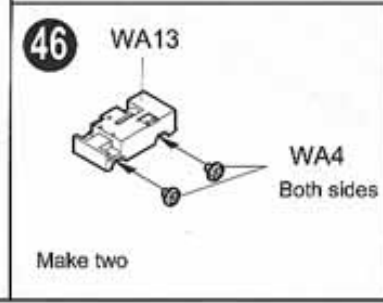
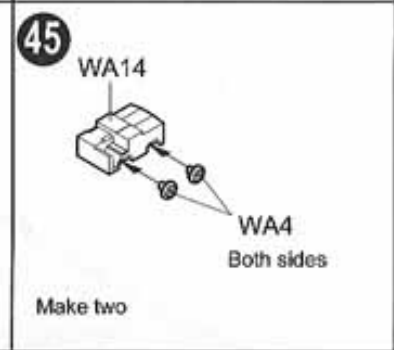
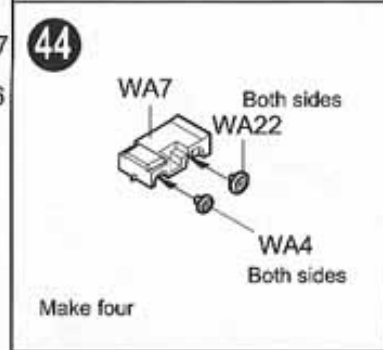
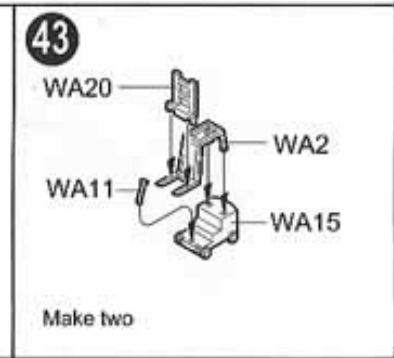
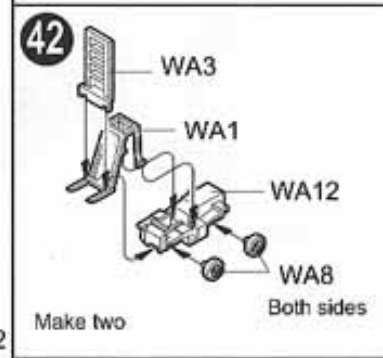
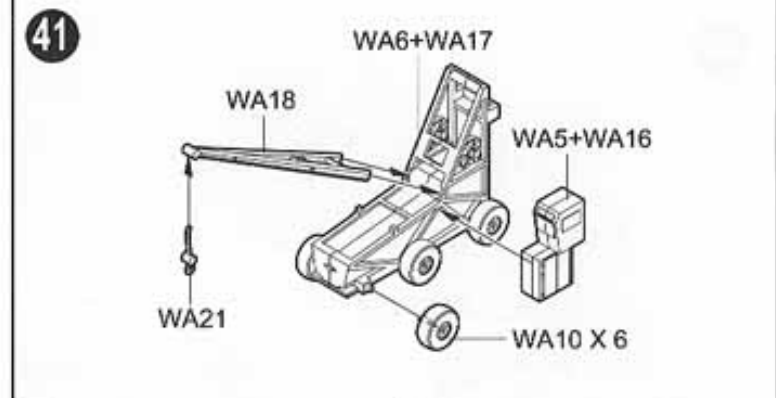
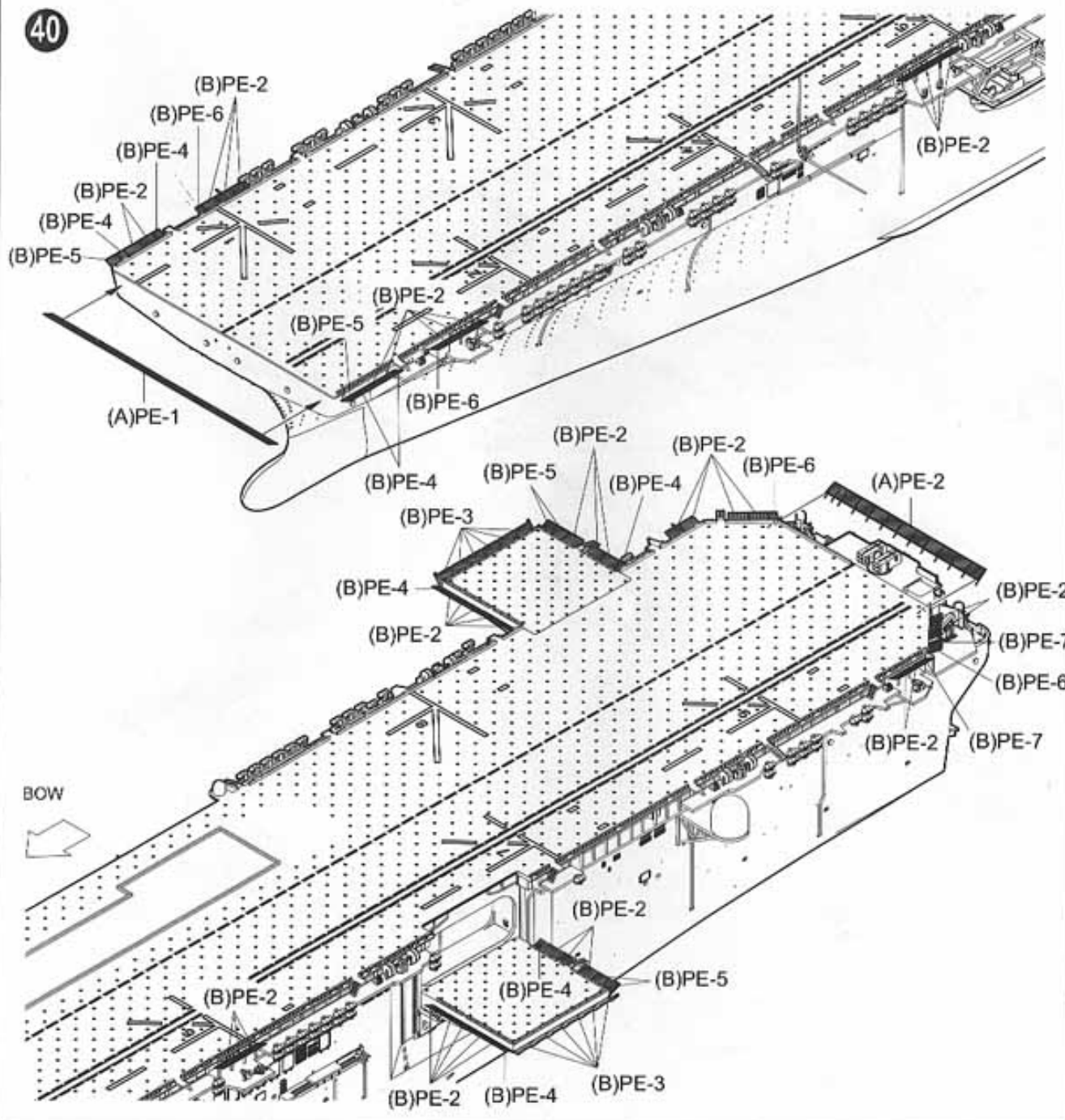


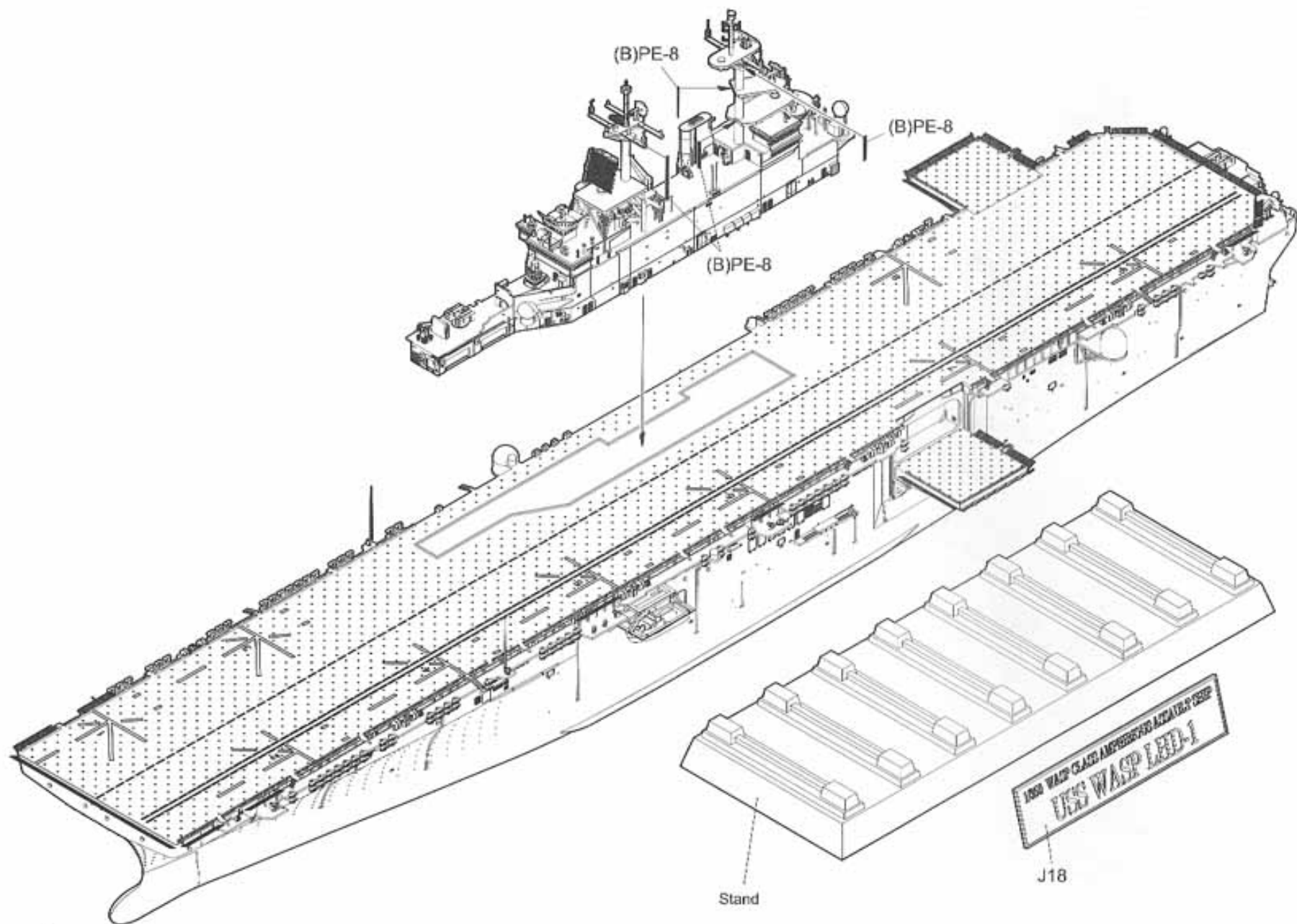


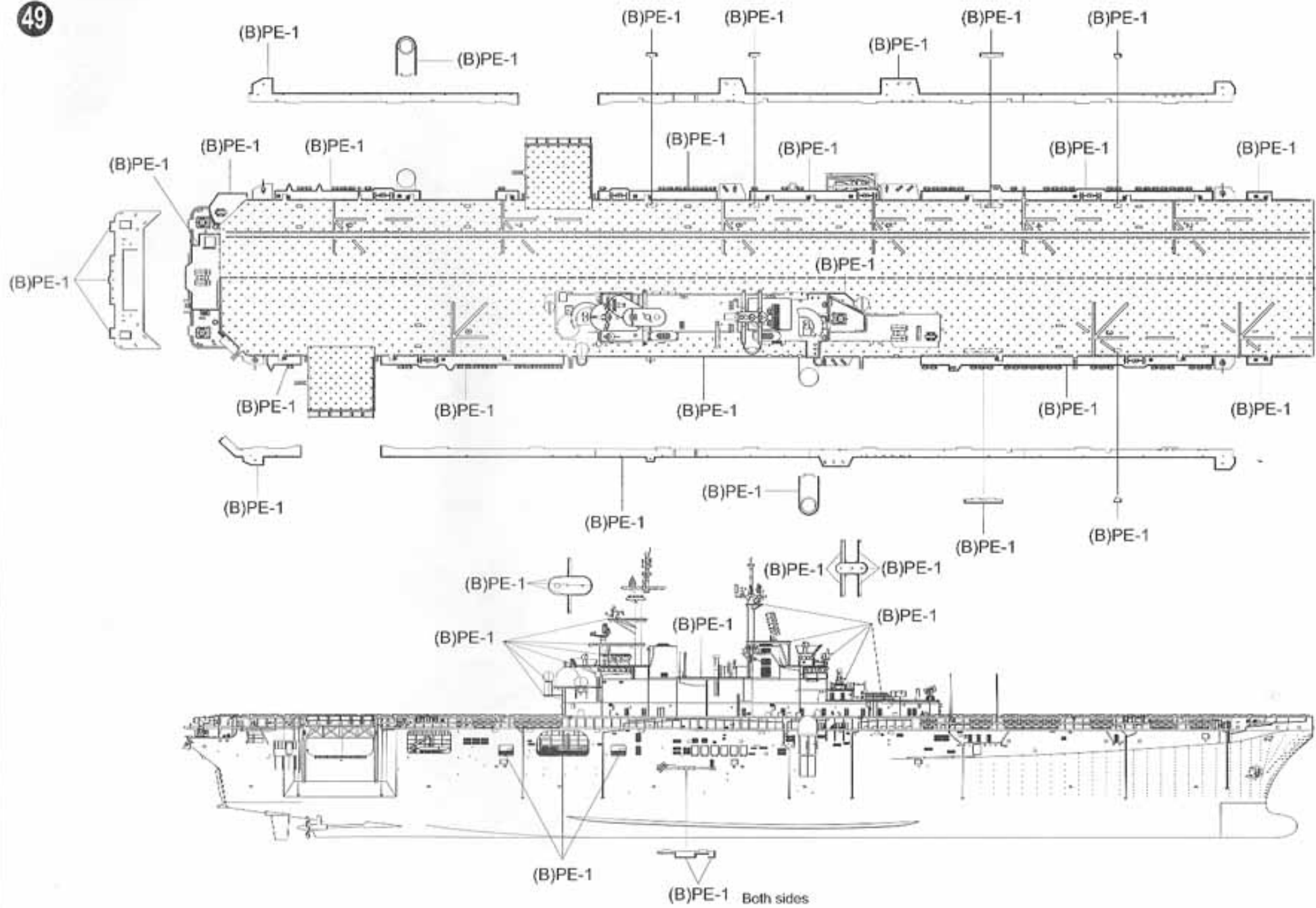


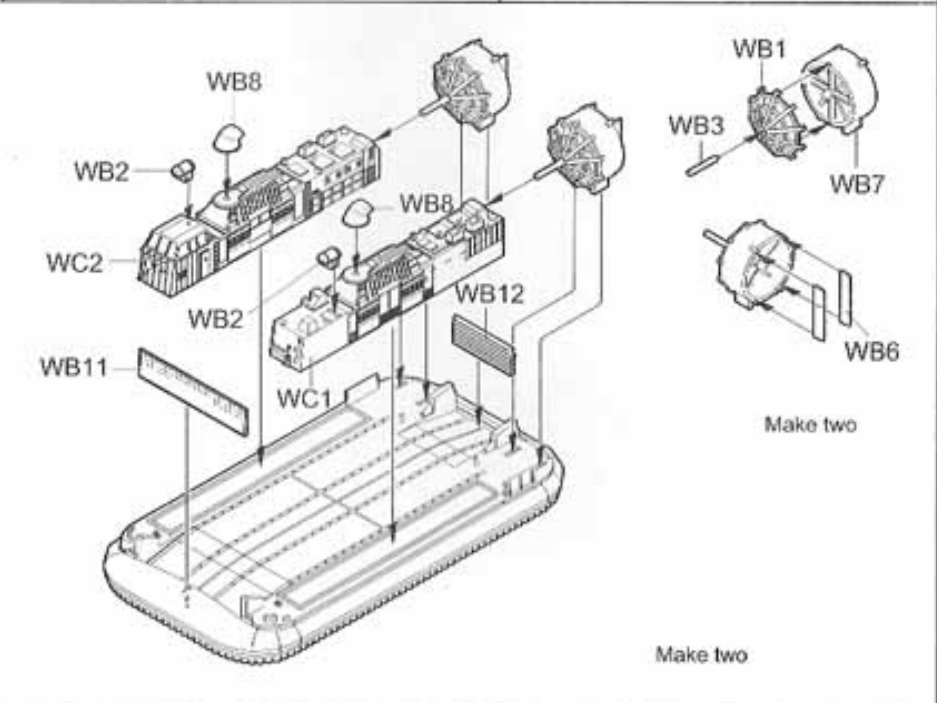
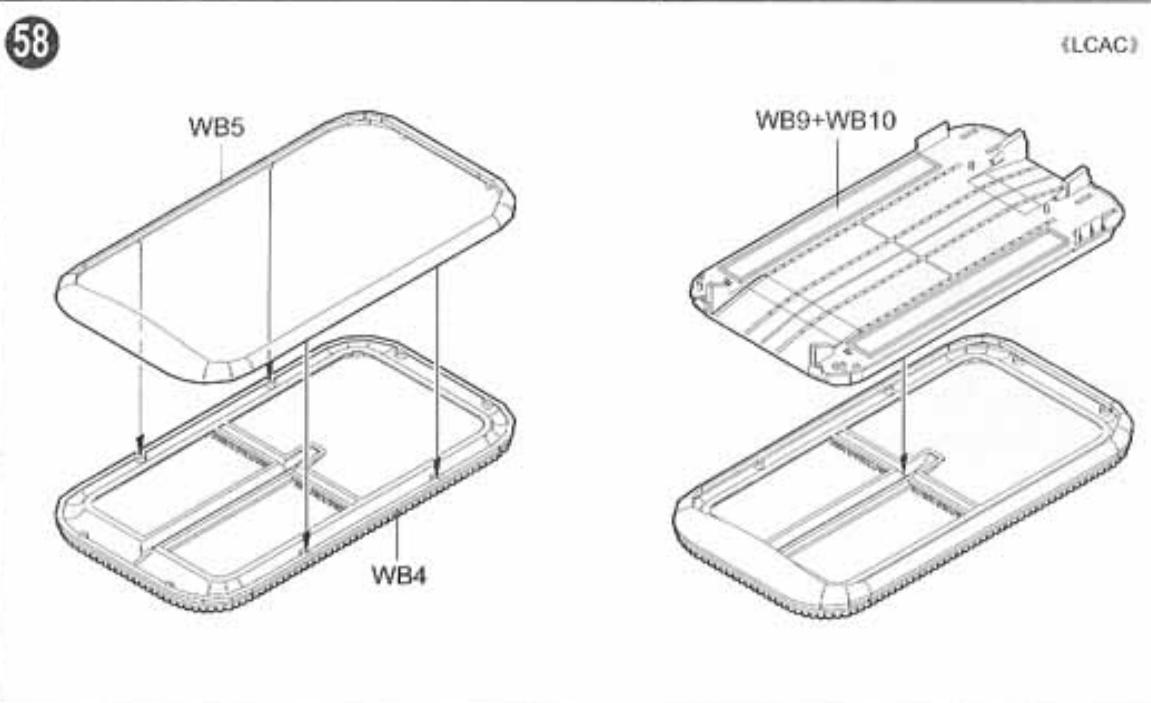
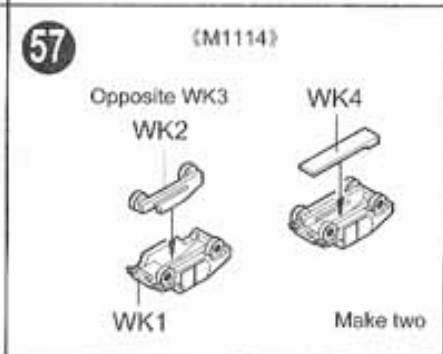
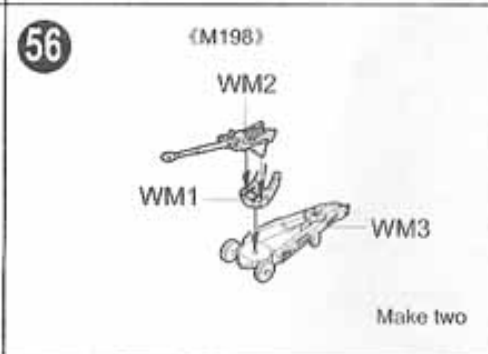
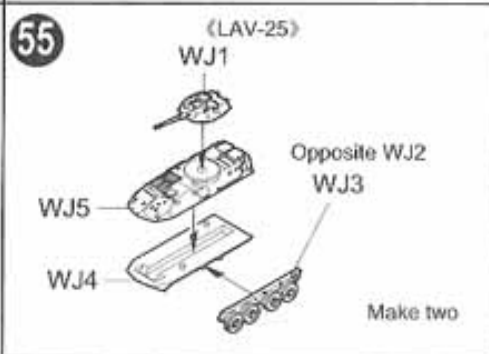
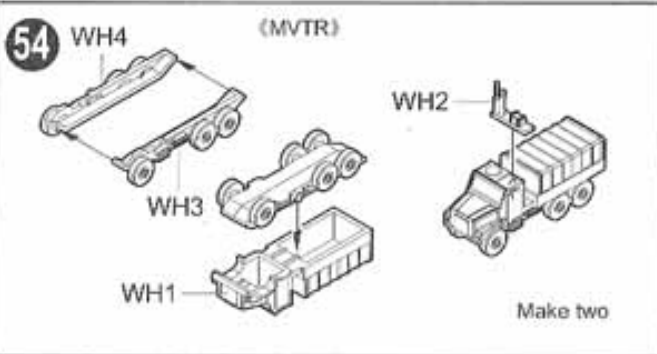
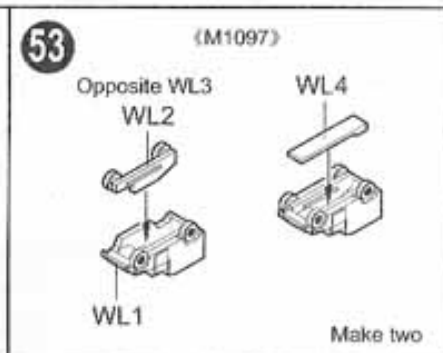
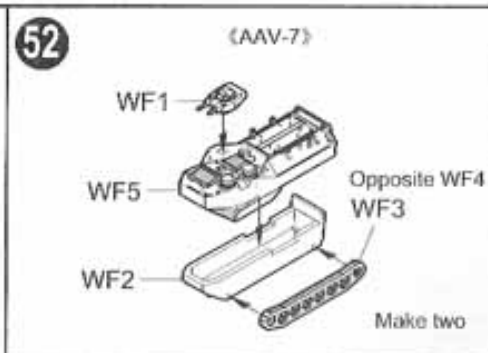
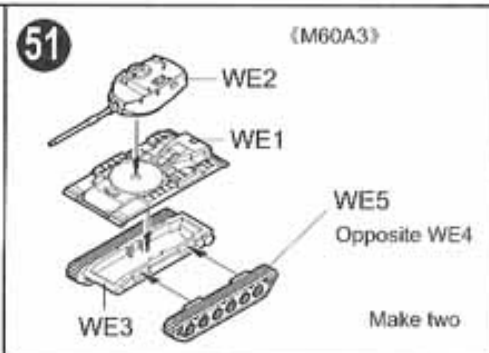
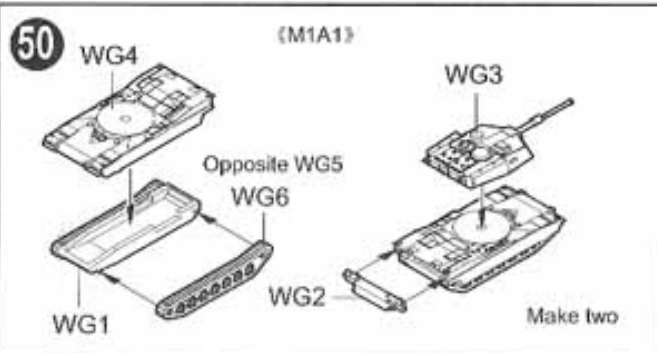
39



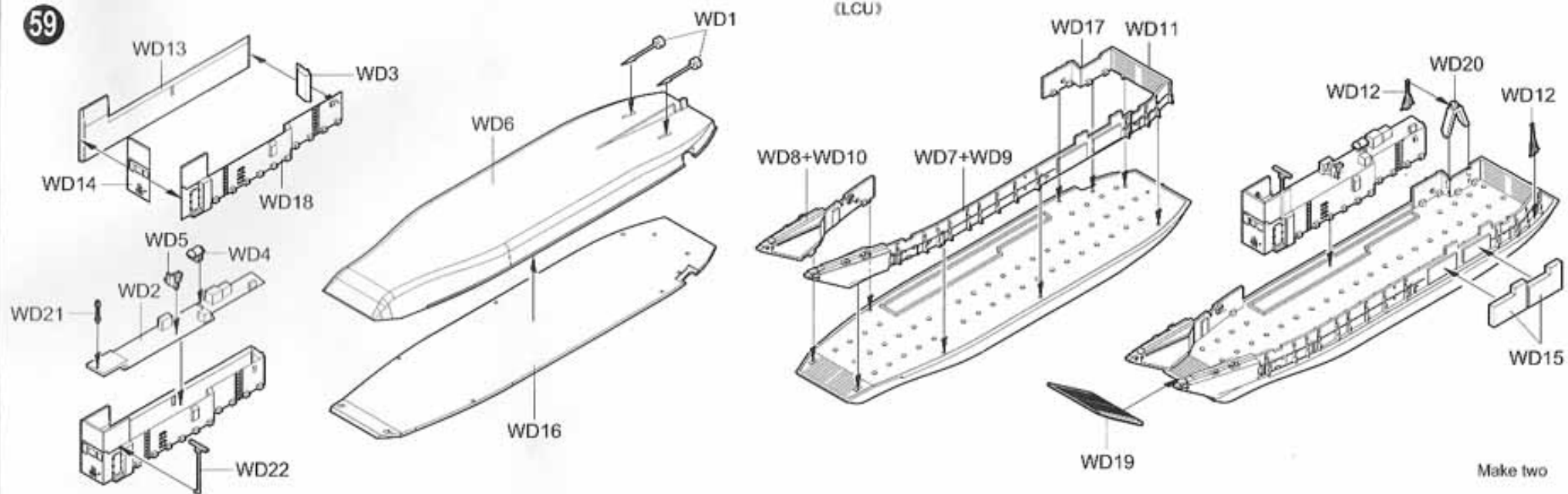






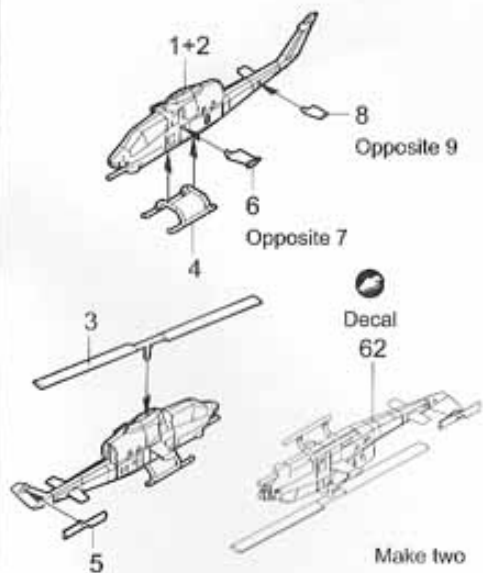


59



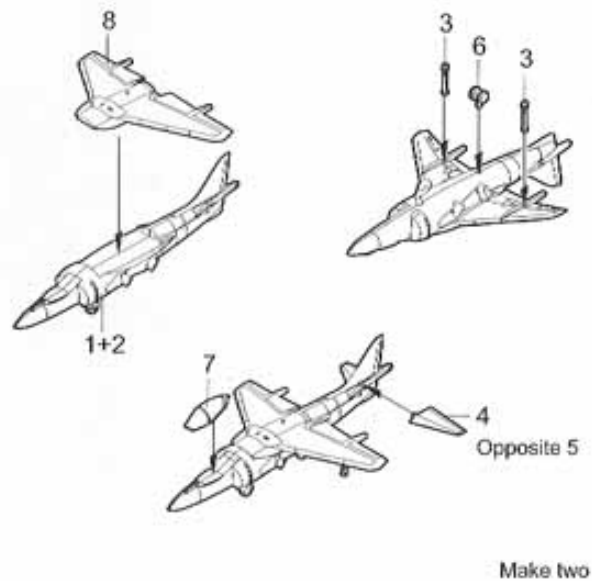
60

(AH-1W)



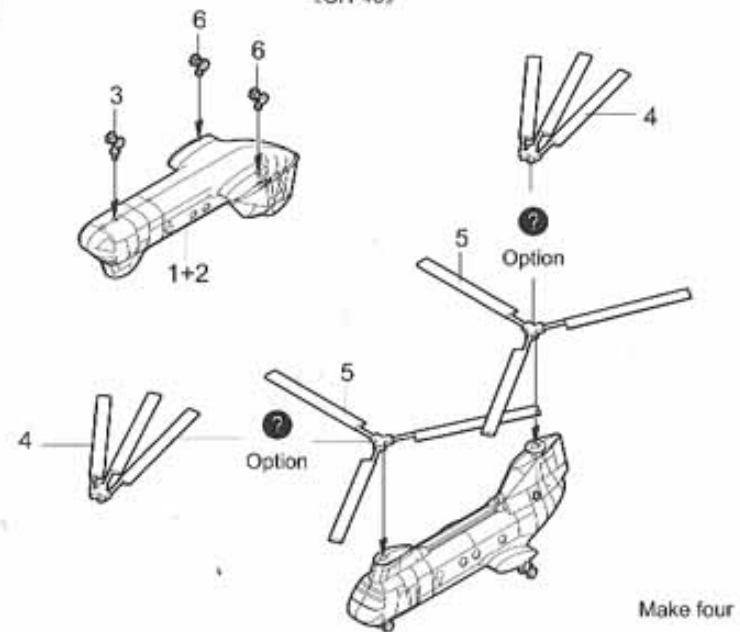
61

(AV-8B)



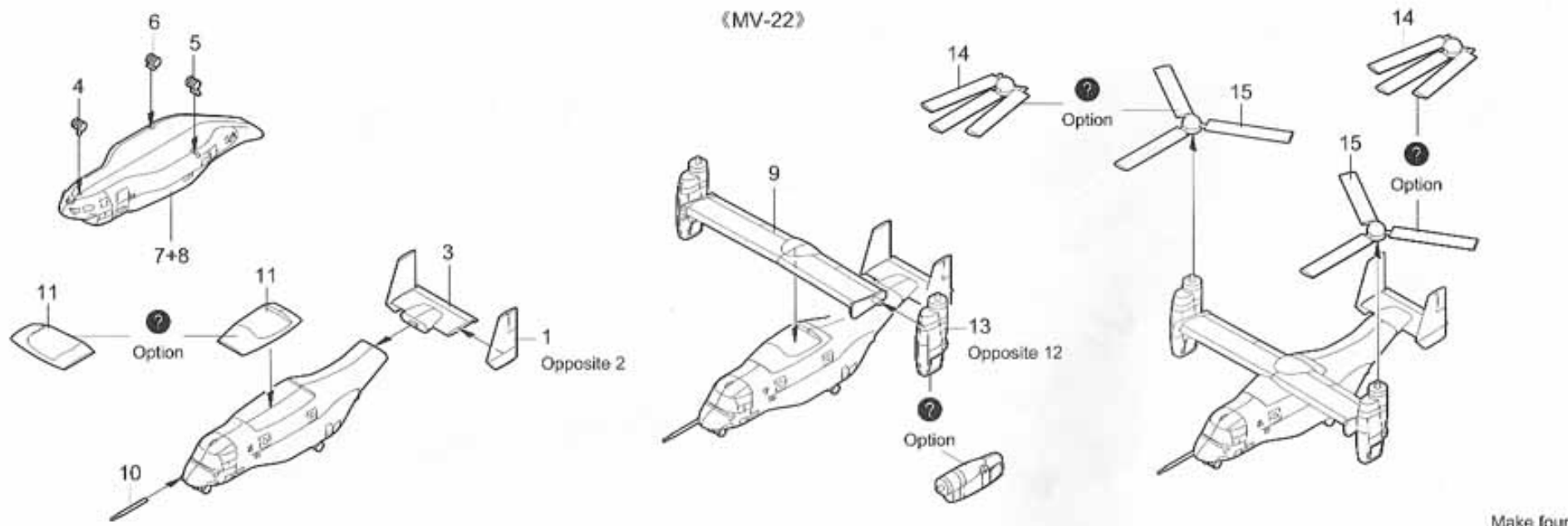
62

(CH-46)



63

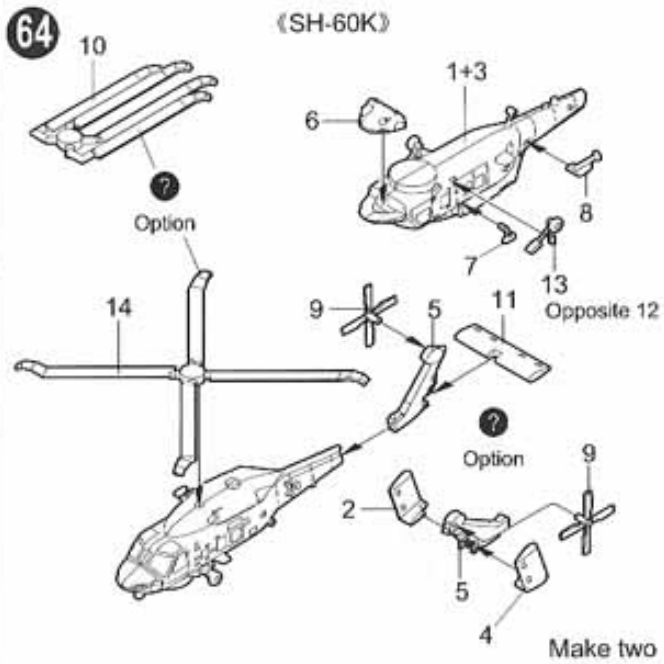
(MV-22)



Make four

64

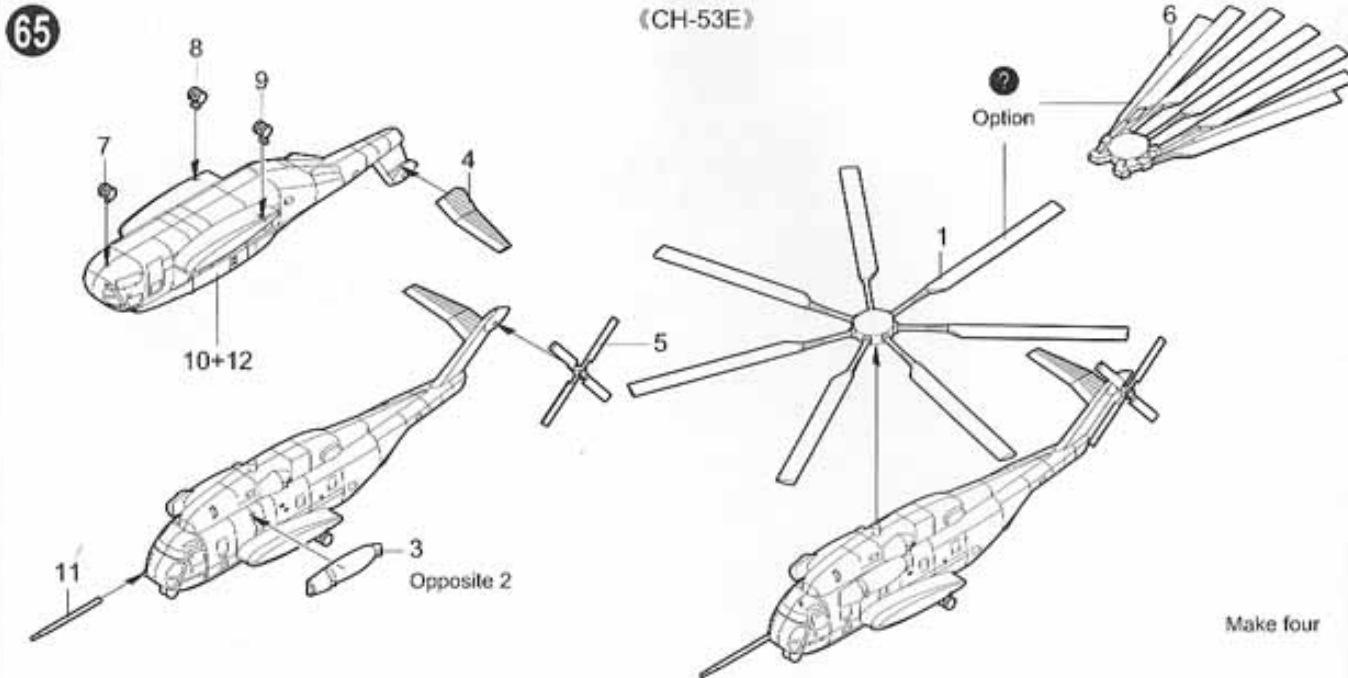
(SH-60K)



Make two

65

(CH-53E)



Make four