

Pz.Kpfw.IV Ausf.H Early/Mid

● READY TO ASSEMBLE PRECISION MODEL KIT ● MODELING SKILLS HELPFUL IF UNDER 14 YEARS OF AGE

ドイツIV号戦車H初期/中期型

2 IN 1

● MODEL MAY VARY FROM IMAGE ON BOX ● CEMENT AND PAINT NOT INCLUDED

JASON

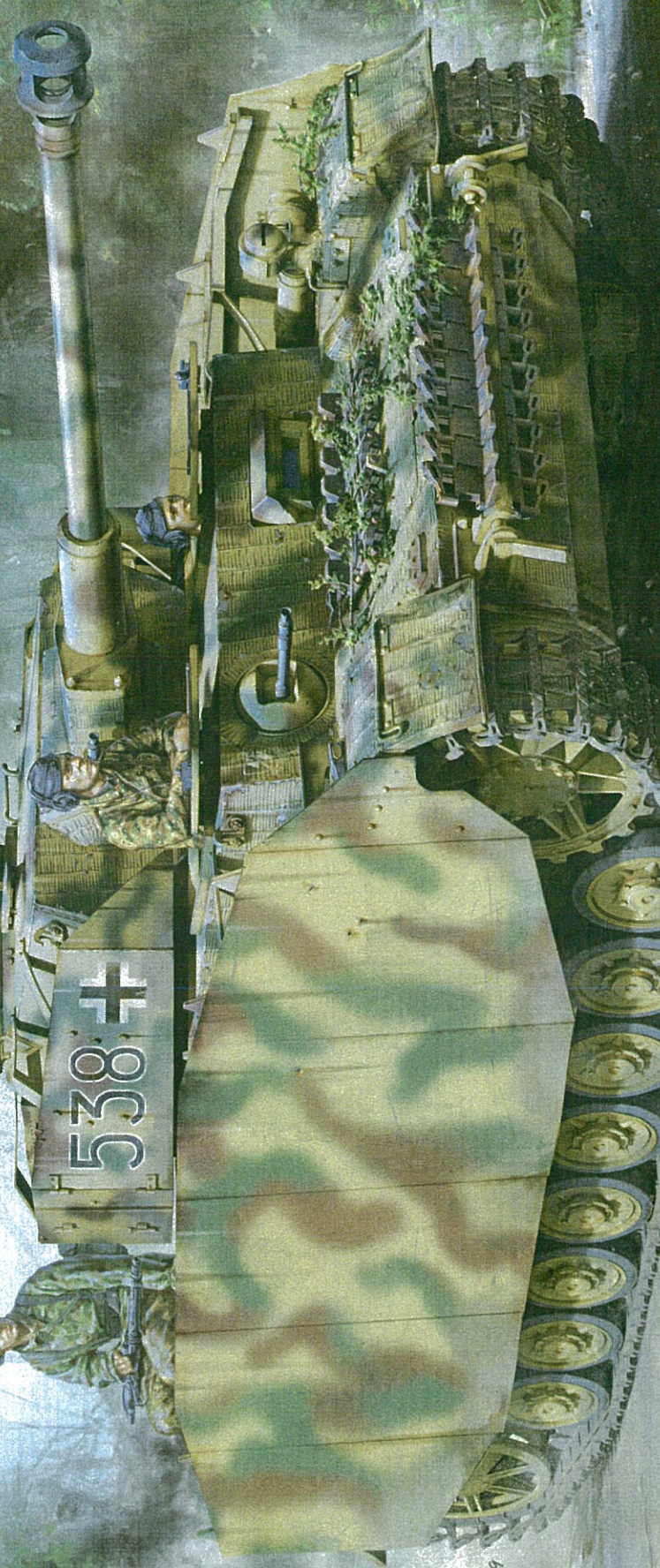
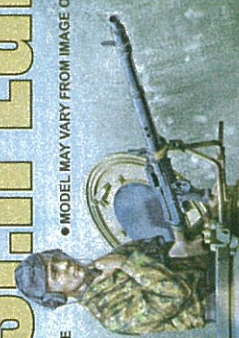
1/35
SCALE
BT-005

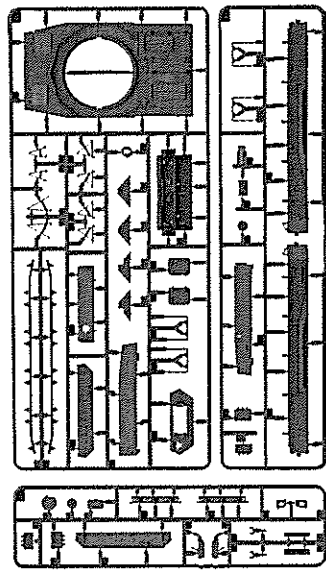
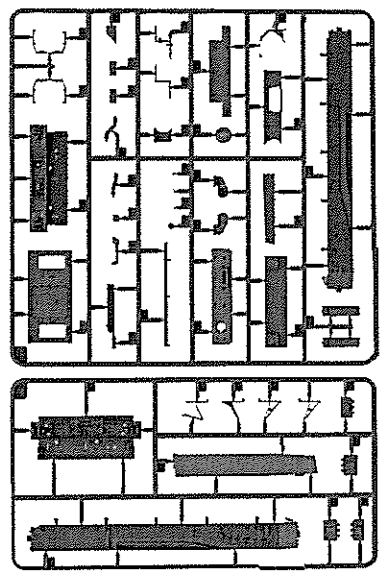
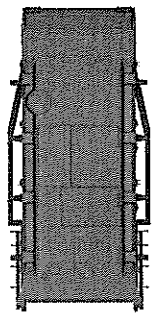
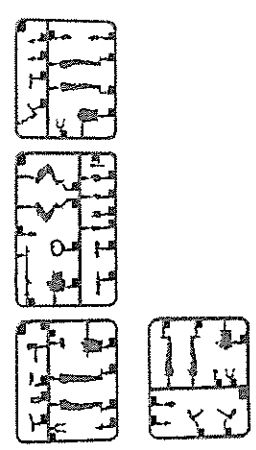
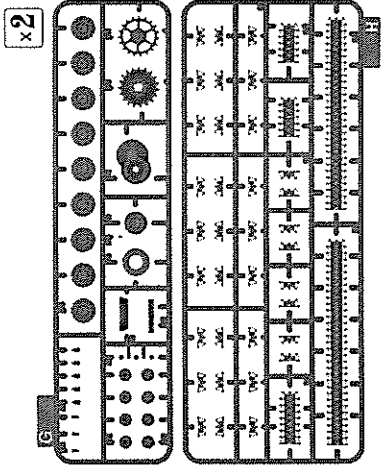
- ◆ PE PARTS INCLUDED.
- ◆ 14 SCHEMES OF MARKINGS
- ◆ SIDE SKIRT ARMOR INCLUDED.
- ◆ METAL GUN BARREL INCLUDED.
- ◆ COMES WITH A SCRAPER FOR ZIMMERIT.
- ◆ INCLUDES BUCKETS, JERRY CANS & T34 TRACKS AS MOUNTINGS.
- ◆ TWO PERIODS OF LINK&LENGTH STYLE TRACKS INCLUDED.EASY TO ASSEMBLE AND CAN BE MIXED.
- ◆ CONTAINS 3 TANK CREWS & 1 INFANTRYMAN (MADE WITH NEW 3D TECHNOLOGY AND SHARP DETAILS).

Battle of Crete | 12. SS-Division

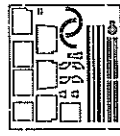
Bober

JASON 2019

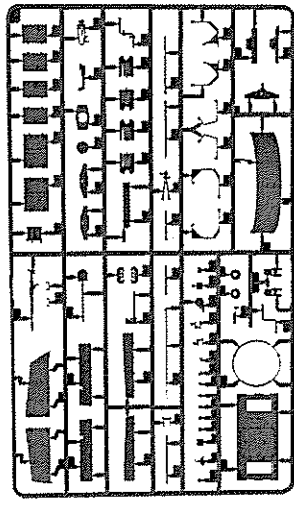
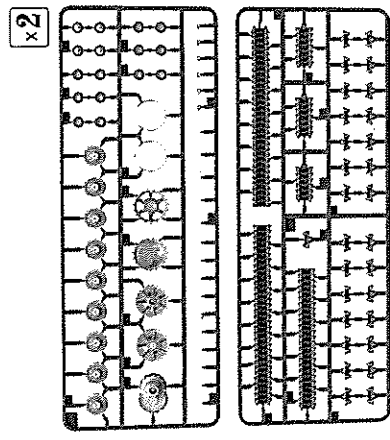
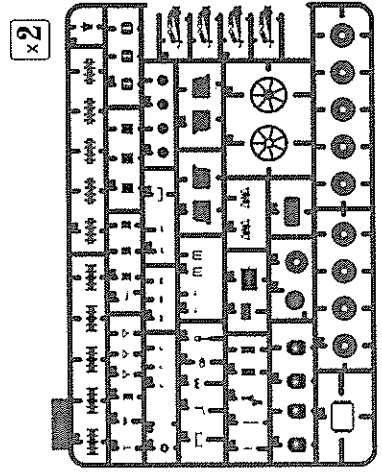
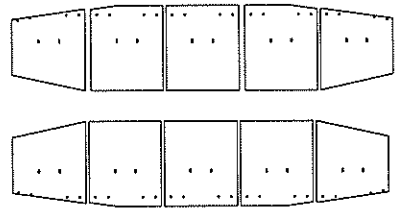
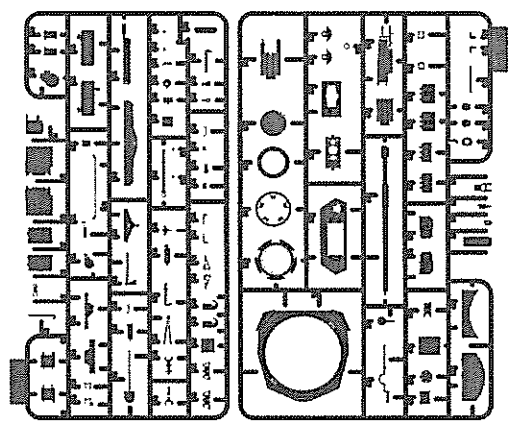


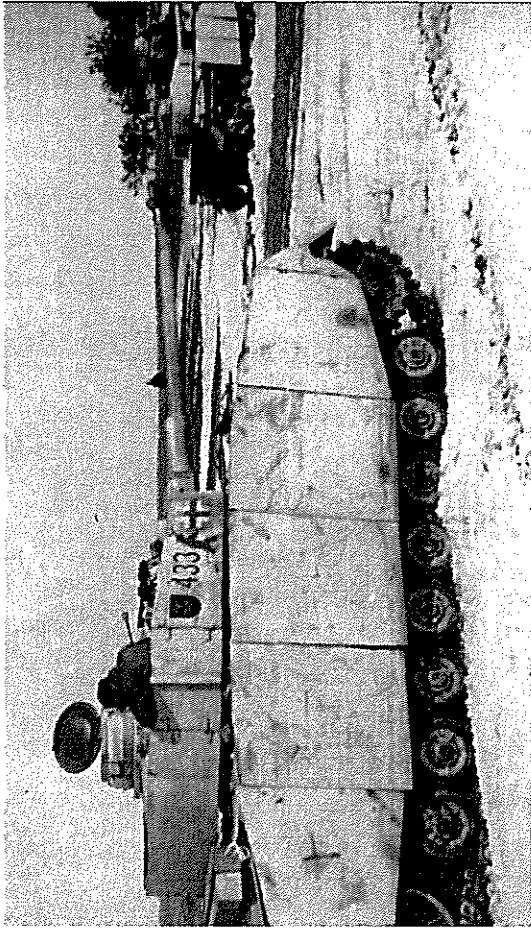
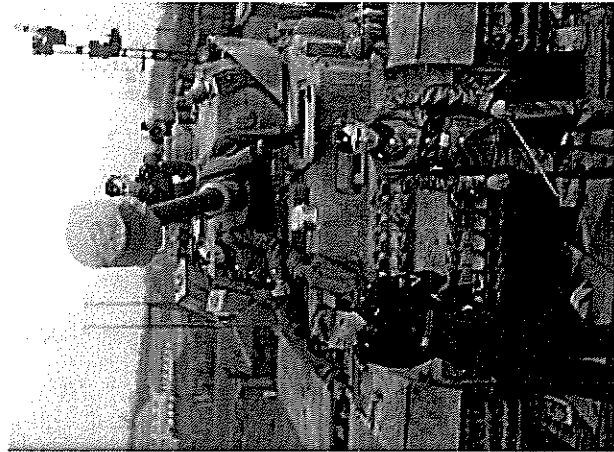


+ 616 616+616
 + + + + +
 649 649 649 + + + 621 621
 +515 515+ 515 +515 515+ 538
 @ +Xmascraft +615 615+



P (Photo etched Parts)





Special Thanks to Mr. Emanuel A. Morales Zeke & Mr. Chen Xingbo

History | 历史介绍

History of the 12th SS Panzer Division Hitlerjugend

On June 6, 1944, the Western British and American Allies landed in Normandy, opening up the European theater. However, the still dominant British forces were responsible for capturing the most important Normandy city of Caen, while the American forces were responsible for the relatively minor Saint-Lô and Port Cherbourg. Admiral Montgomery was going to be on D-Day. The taking of Caen turned out to be unsuccessful because of interference from the German Army, an old enemy in North Africa. The next day, 7 June, as the British and Canadian allied forces regrouped once again to take Caen with a bang, German reinforcements The 12th SS Panzer Division "Hitler Youth" arrived. It was this division that delayed Montgomery's original plan to take Caen in one day for a full month before he got what he wanted.

So what's so special about this division? First of all, the foundation of the division was drawn from the Nazi youth organization: the Hitler Youth, so most of the soldiers were 1928 high school students born later, even junior high school students. The average age is 16 to 18 years old. By all accounts, this group of baby soldiers should have no combat power at all. Therefore, the Allies, who had received intelligence, treated the so-called "Hitler Youth" division as a baby bottle division, and didn't care. It was not until we were formally engaged that we realized that we were both in the same boat. The SS 12th "Hitler Youth" Panzer Division Although the personnel was very young, and even to the Allied soldiers appeared to be dolls, it was a true German 4344 model. The standard armored division. Its subordinate armored regiment has two battalions, 1 battalion equipped with Panther tanks, while 2 battalions are equipped with IV tanks. According to the standard establishment, the armored regiment consisted of 8 companies. There were 4 companies each of Panther and IV tanks, but the SS 12th Armored Division was not only full, it was overmanned. Its 2nd Battalion had 5 companies of IV tanks, each with 18 tanks, mainly H and possibly J Pole early. The battalion had a total of 98 IV tanks. The battalion had a total of 98 IV tanks, which made it a strong force. In addition, the main non-commissioned officers and officers of the 12th SS Panzer Division were from the famous SS SS 1st "Adolf Hitler Guards". The "Flag Force" armored division, so the division could be considered a replica of the latter. As early as April 1942, Adolf Hitler's guard, the Flag Division, which had just been expanded into a motorized Infantry Division. With only 1 armored battalion. Never having been equipped with tanks, the Guard Flag armoured division would give priority to tanks with tactical numbers ending in "1" or "0" because the Soviet tankers recognized the "1" and "0" numbers. For sure that was a German command tank. In fact, the Soviets were right, and that was indeed the case according to the standard rules of preparation of the German armored forces. But the SS was not part of the German Army, and when they found this out, the guard flags were not going to go out of their way to prepare tanks from the start. According to the standard. The three-digit numbers of tanks were usually expressed by "1" to "4" at the end, while the armour of the Guard Flag Division was replaced by "5" to "9", and in this way served as camouflage in the field.

For example, a German Army armored company should have the following standard configuration: Company headquarters: 101 (Company Commander), 102 (Company Assistant's vehicle number), 103 (Company Assistant's vehicle number) Platoon 1: 111, 112, 113, 114, 115 Platoon 2: 121, 122, 123, 124, 125 And in the style of the Guard Flag Division, it became Company Headquarters: 105 (Company Commander), 104 (Company Deputy) Platoon: 115, 116, 117, 118, 119 Platoon 2: 125, 126, 127, 128, 129 In fact, the SS 12th Panzer Regiment, part of the SS 12th "Hitler Youth" Panzer Division, was one of the divisions that pulled out the guard's flag division. The entire armored battalion expanded from it. As such, the entire regiment copied this numbering rule exactly. Here is a look at the numbering rule for the 2nd Battalion of the SS 12th Armored Division's Amored Regiment.

2nd Battalion of the SS 12th Armored Division's Amored Regiment: 555 (Battalion Commander), 554 (Battalion Adjutant), 553 (Battalion Communications Officer) all three. Commanding type of tank H, IV. The battalion's immediate reconnaissance platoons: 556, 557, 558, 559, 560 (this platoon is under the command of the battalion headquarters and serves as the command platoon for the (Protecting battalion headquarters and covering company/losses, also with IV tanks) 5 (5-5) battalions of the 2nd Battalion, 12th SS Armored Regiment. 9) Company headquarters: 505 (Company Commander), 504 (Company Assistant) Platoon: 515, 516, 517, 518 Platoon 2: 525, 526, 527, 528 Platoon: 535, 536, 537, 538 Platoon: 545, 546, 547, 548

This time, Border Models newest BT005 IV Tank H Early/Midsize (Panzer) IV Ausf H (Early/Mid), an all-new kit with most of the parts molded new. The cover painting is the same as the above-mentioned "538", of the 12th Panzer Division of the SS "Hitler Youth" operating at Caen, IV Tank H. It is easy to see that it was the third vehicle of the 3rd platoon, and not the 8th vehicle. In addition, it can be seen that the IV tanks of the 2nd Battalion of the SS 12th Panzer Regiment were all in a black font style with white edges. In fact, the SS 12th Panzer Regiment were all in a black font style with white edges. In addition, it can be seen that the IV tanks of the 2nd Battalion of the SS 12th Panzer Regiment were all in a black font style with white edges.

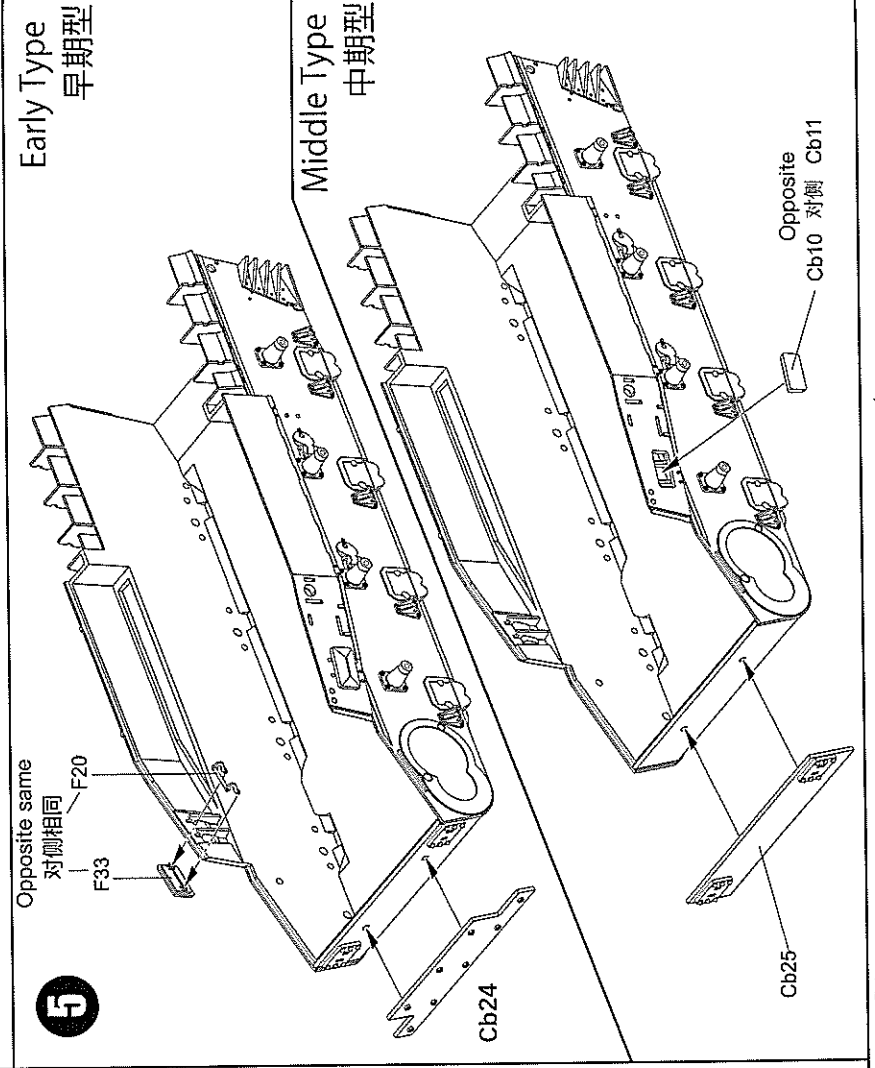
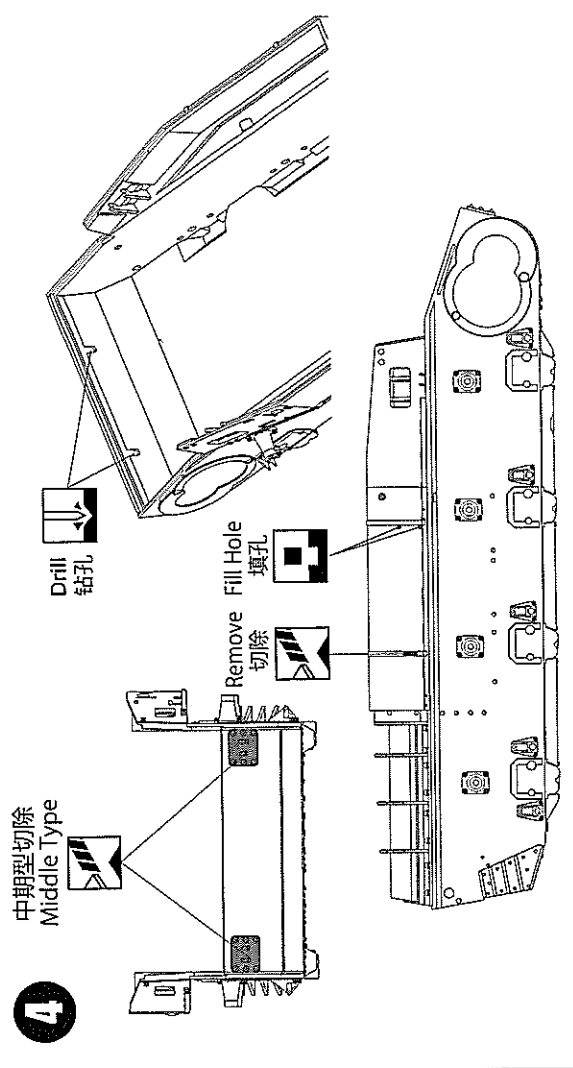
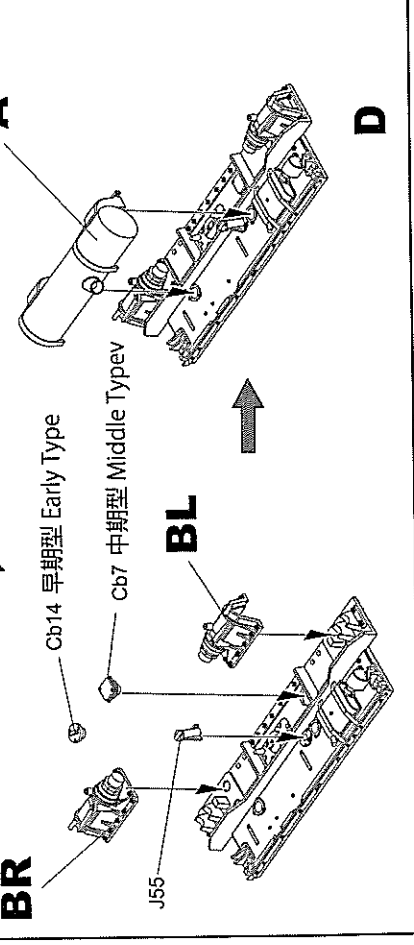
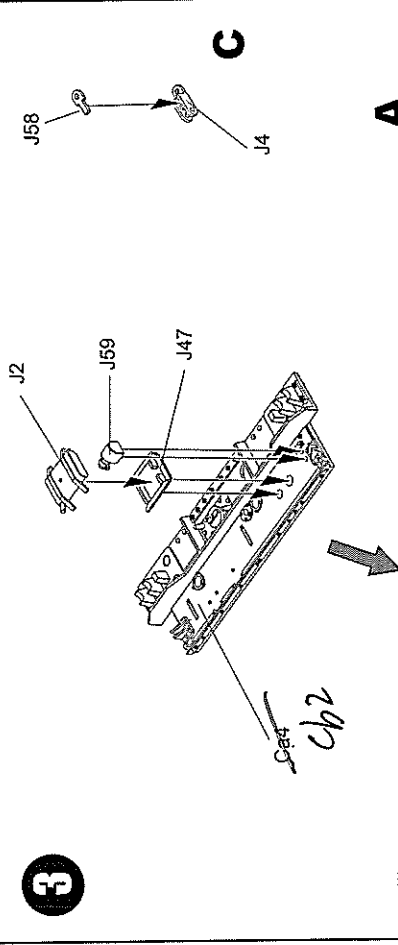
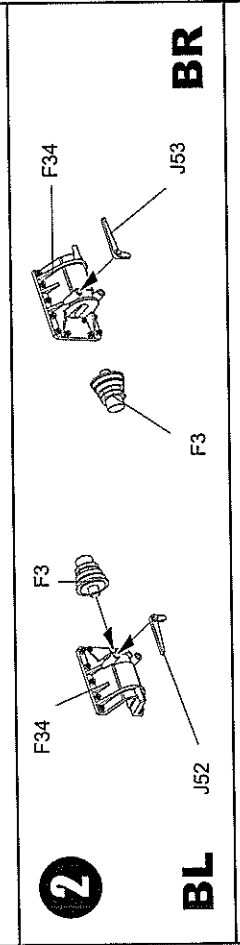
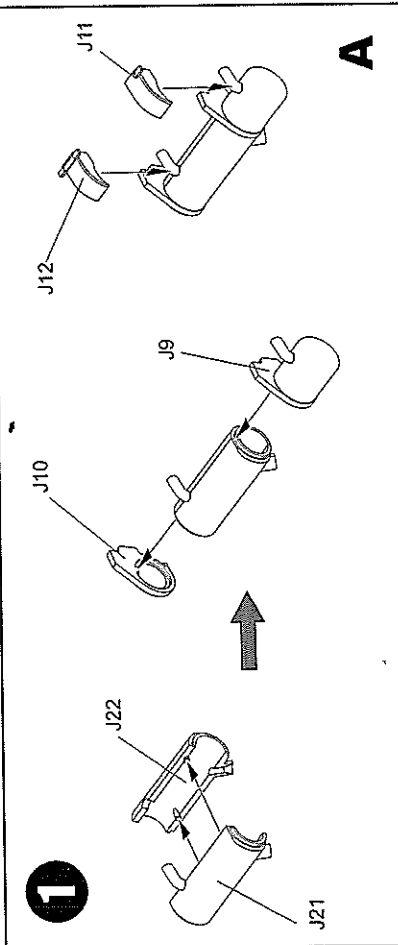
Normandy, was numbered using the black non-hollow font style with continuous edges. 1944年6月6日，西方的英盟盟军登陆诺曼底，开辟了欧洲战场。但是，仍由于主导地位尚处于劣势，盟军夺取重要交通线的进程屡遭挫折。盟军马利上将向希特勒打赌，结果因为在北非的老对手德军第21装甲师的干扰，而未影如愿。第二天，6月7日，当英国和加拿大联军再次进击，准备一下卡朗城的时候，德国的精锐党卫军第12“希特勒青年团”装甲师赶到了。正是这个师，让盟军马利原本打算一天剩下的卡朗是地拖了一个月才如愿以偿。

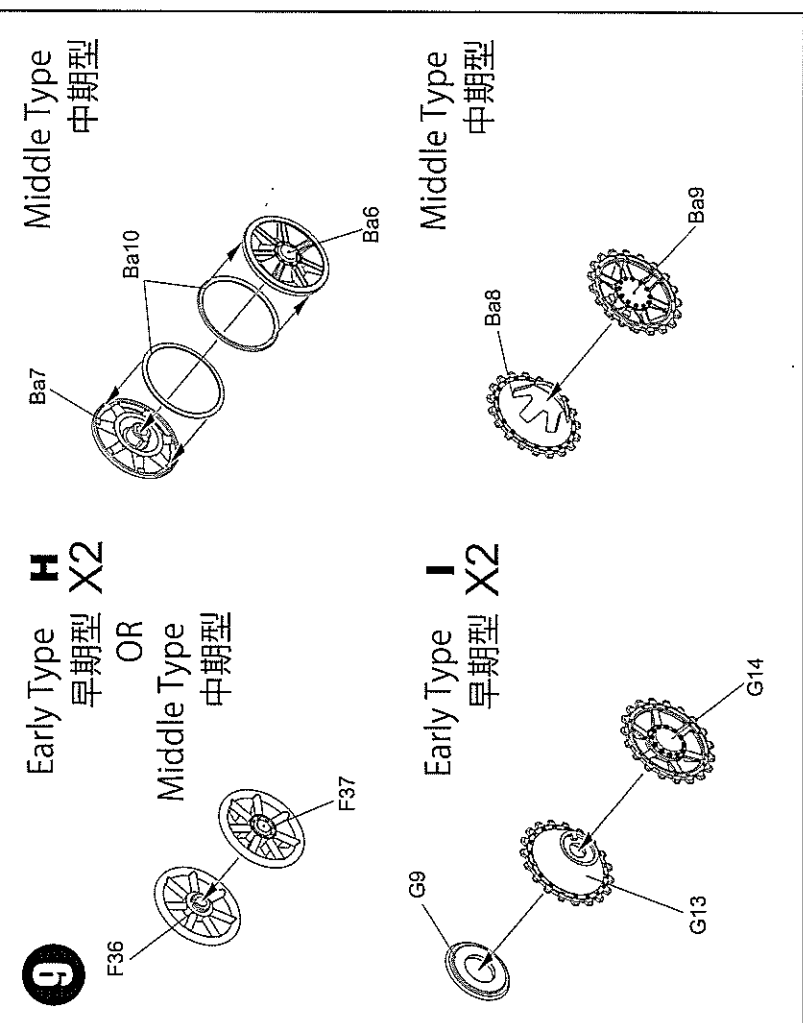
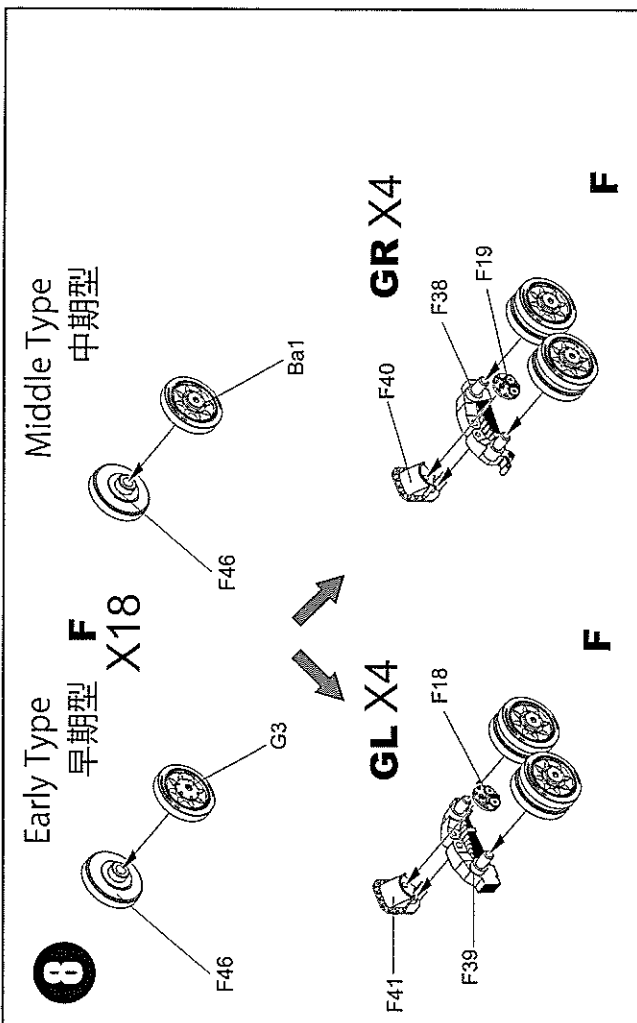
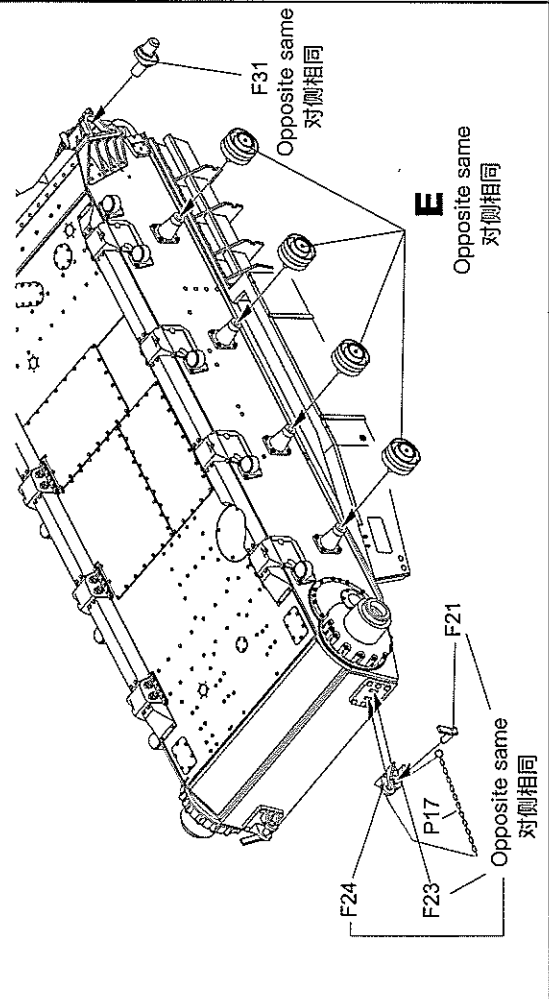
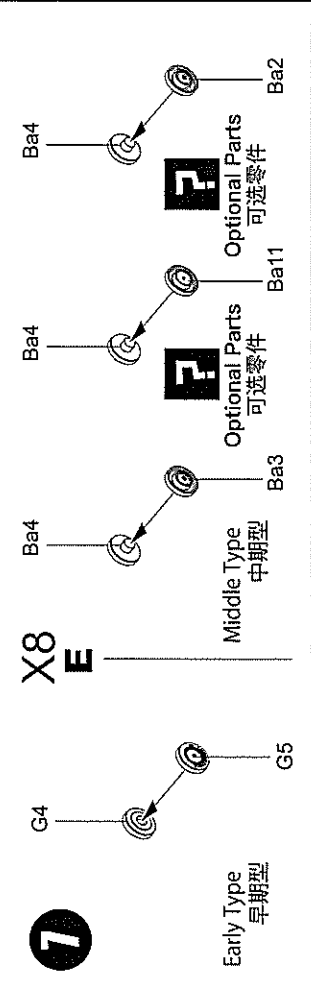
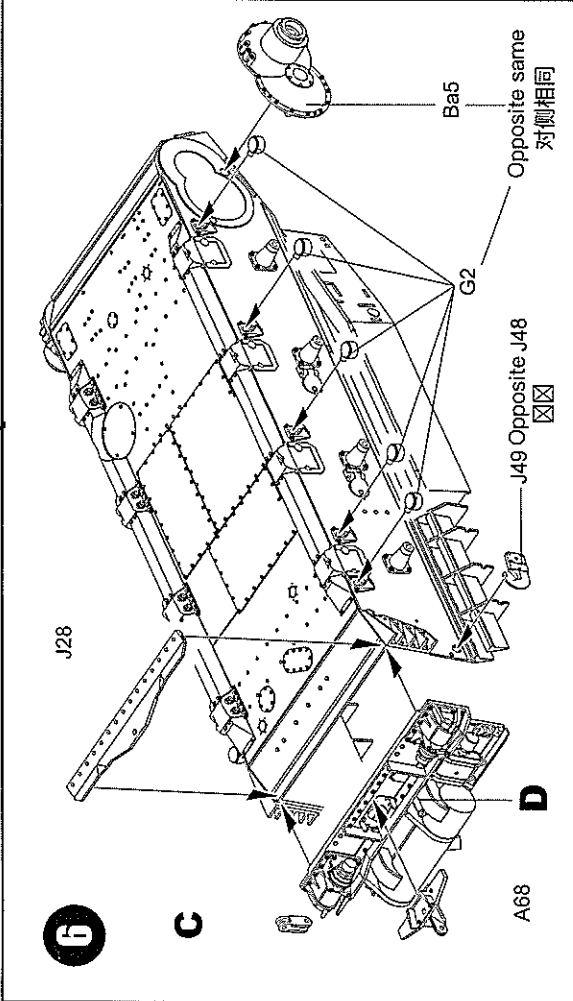
那么这个师到底有什么特别之处？首先，这个师的基地人员均来自纳粹的青年组织：希特勒青年团，因此大多数士兵都是1928年以后出生的高中生，甚至初中生。按道理，这样娃娃兵应该根本没什么战斗力。因此，之前得到情报的盟军把这个所谓的“希特勒青年团”师当成了婴儿班，根本没放在眼里。一直到正式交手，才发现，原来大家都半斤八两。SS第12“希特勒青年团”装甲师虽然人及非青年军，甚至在盟军士兵看来都是娃娃兵，但它是一个真正意义上的标准装甲师，其下属装甲团下辖两个营，1营装备豹式坦克，2营则装备IV号坦克。按照标准编制，装甲团共8个连，豹式和IV号坦克各4个连，但是SS第12装甲师不但足编，而且还超编了。它的空营拥有5个IV号坦克营，每个连下辖18辆坦克，型号主要为H型和J型。此外，SS第12装甲师的主要士官和军官都来自著名的党卫军SS第1“阿道夫·希特勒警卫旗队”装甲师，因此该团几乎可以算是最后者的复制。早在1942年4月，阿道夫·希特勒警卫旗队编制成摩托化步兵师的时候，从该师装备过坦克的警卫旗队装甲兵就编入一个营，完整的战斗中总编出一个道理。那就是苏军坦克兵首先从该师编号数字末尾为“1”或“0”的坦克，因为苏军坦克兵认为那肯定是德国人的指挥坦克。实际上，苏军也没错，按照标准编制，坦克三位数编号的末尾数字通常用“1”至“4”来代表，并以这种方式在作为战场上的伪装。

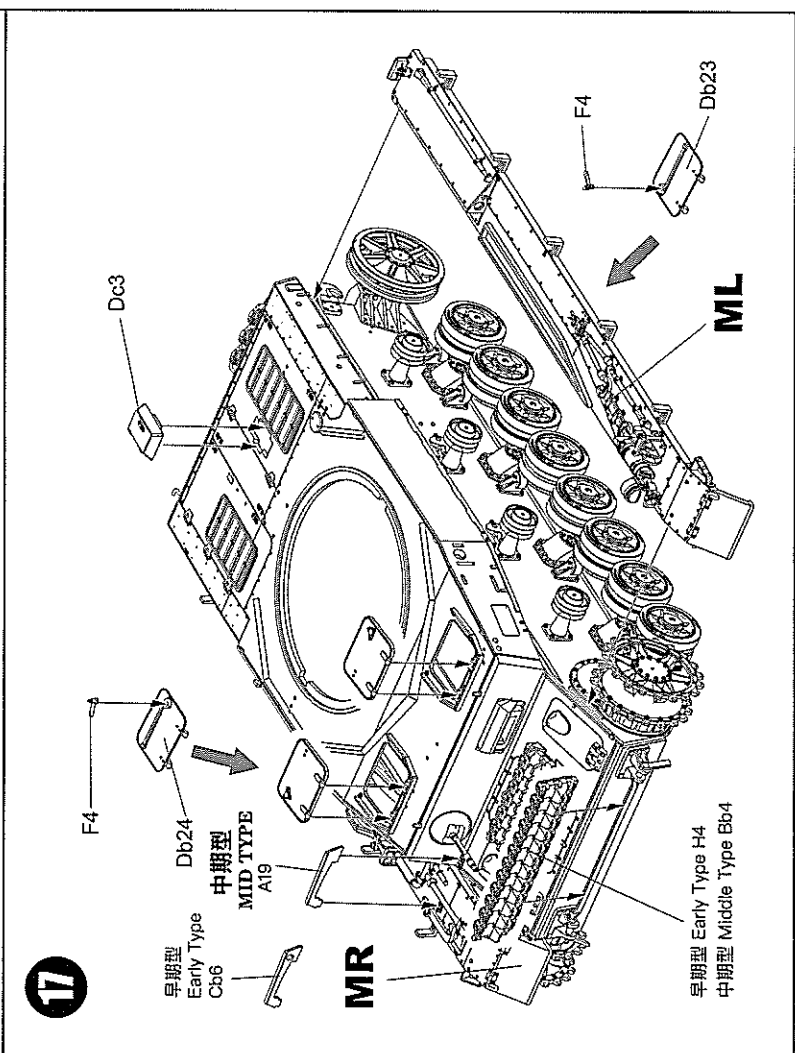
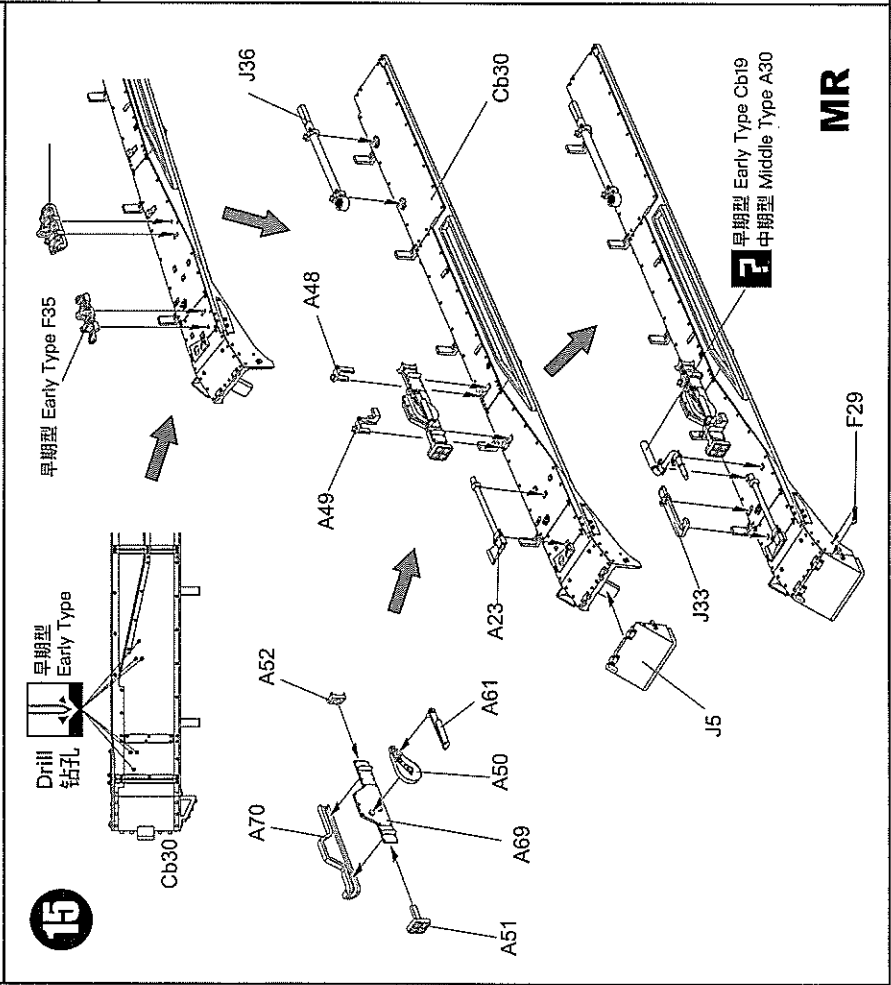
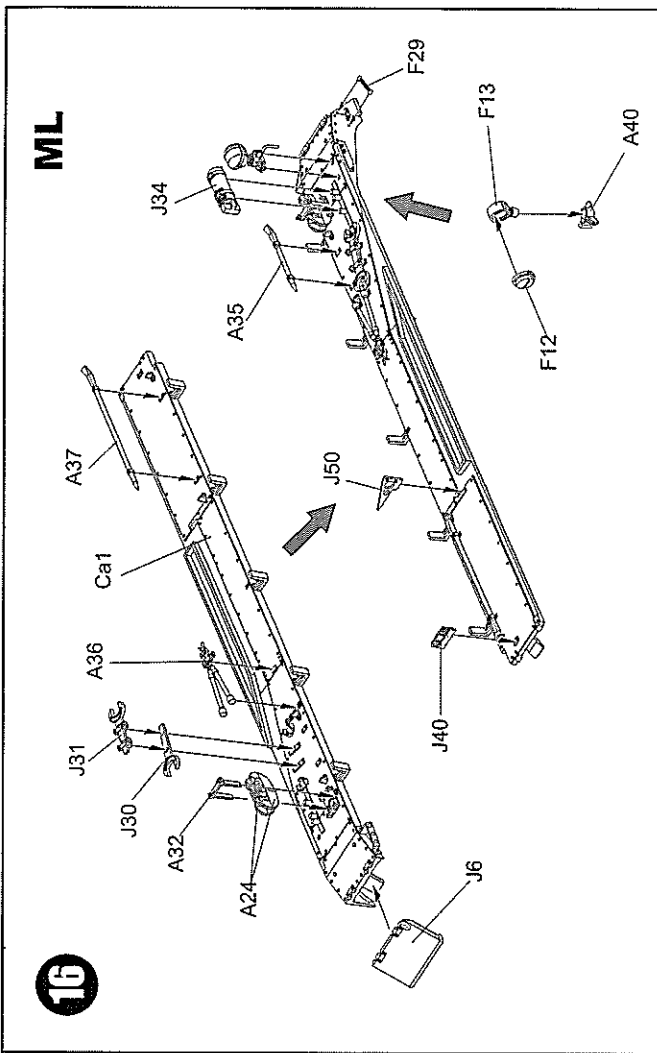
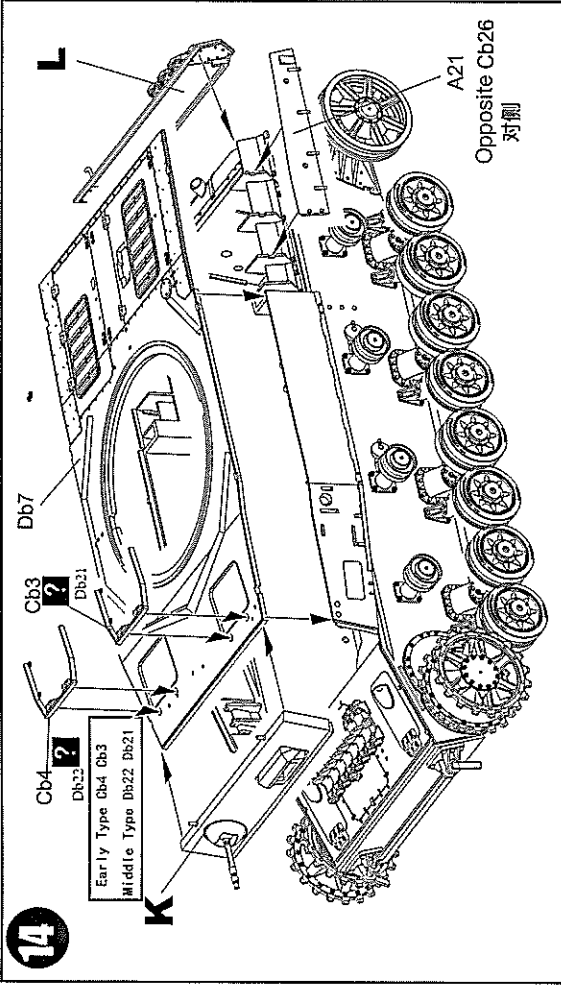
例如某个团级单位标准编制如下：连部：101（连长/连长编号）、102（连副连长编号）、111、112、113、114、115 2排：121、122、123、124、125 而按照警卫旗队师的编制，就变成了连部：105（连长）、104（连副）、115、116、117、118、119 2排：125、126、127、128、129

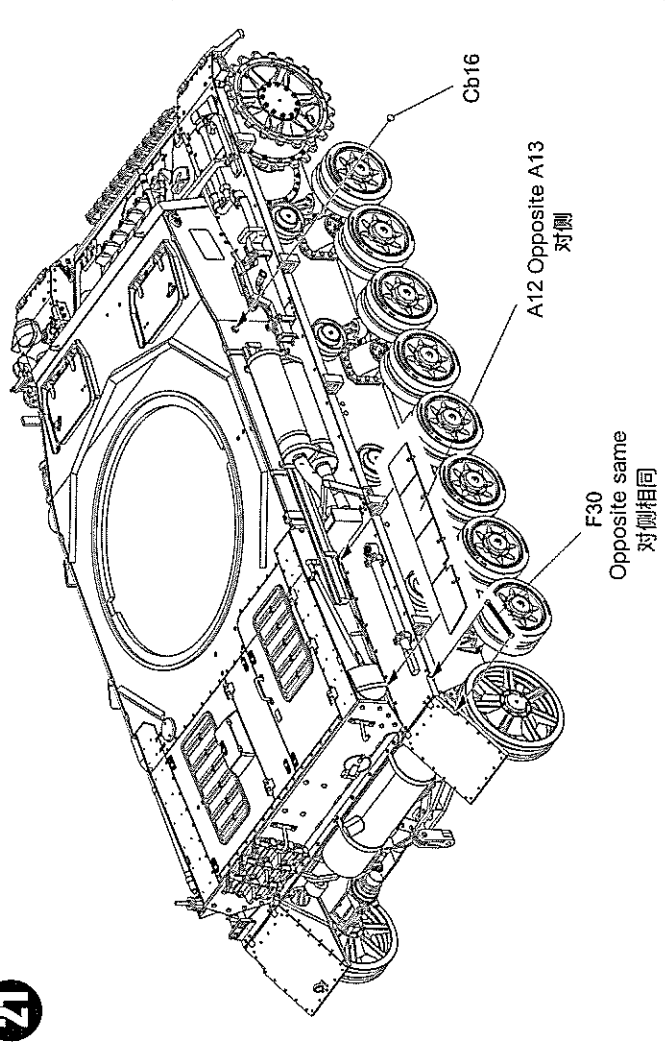
实际上，SS第12“希特勒青年团”装甲师所属的SS第12装甲团就是标准警卫旗队师的一个装甲营扩建而来的，因此，团部完全复制了这一编号规则。下面我们来看一下SS第12装甲师装甲团2营的编号规则：SS第12装甲团2营 营部：556、557、558、559、560（该师营部副官）、营直属侦察排：556、557、558、559、560（该师营部副官）、担任保护营部以及填补各连指挥的任务，同样装备IV号坦克。SS第12装甲团2营下辖5个（5-9）连以5连为例 连部：505（连长）、504（连副）、515、516、517、518 2排：525、526、527、528 3排：535、536、537、538 4排：545、546、547、548

这次，Border Models新推出的BT005 IV号坦克H早期/中期型 (Panzer) IV Ausf H Early/Mid)，全新推出的事件，大多数零件都是全新开模，而封套就是上文介绍的在卡朗地区作战的SS第12“希特勒青年团”装甲师所属的“538”号IV号坦克模型。了解了该师的编制以后，我们很容易知道，它是3排的第三辆车，而不是什么第8辆车。此外，可以看到，SS第12装甲团2营的IV号坦克模型都采用了黑色字体，白色边缘的字体风格。其实，SS第12“希特勒青年团”装甲师在诺曼底战役之前，字体的编号规则是采用黑色非连续边缘的空心字体风格。

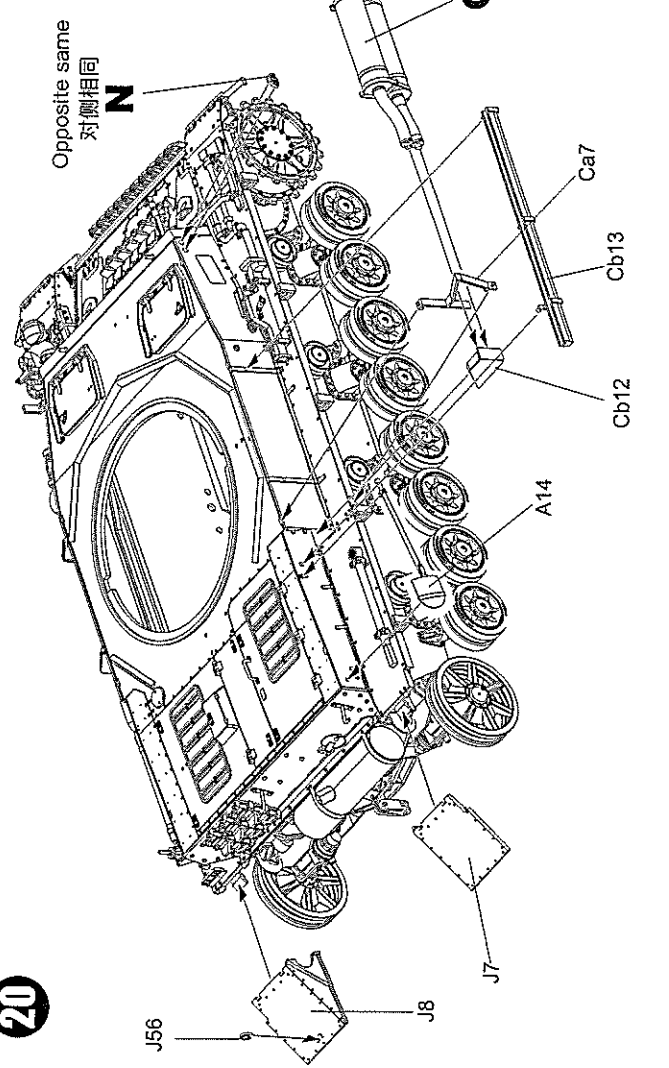




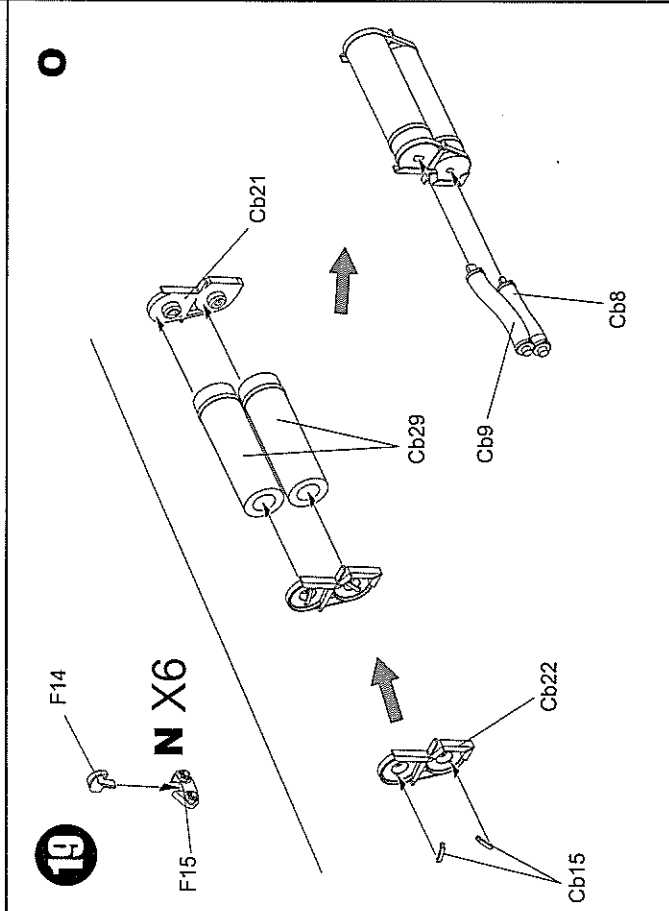




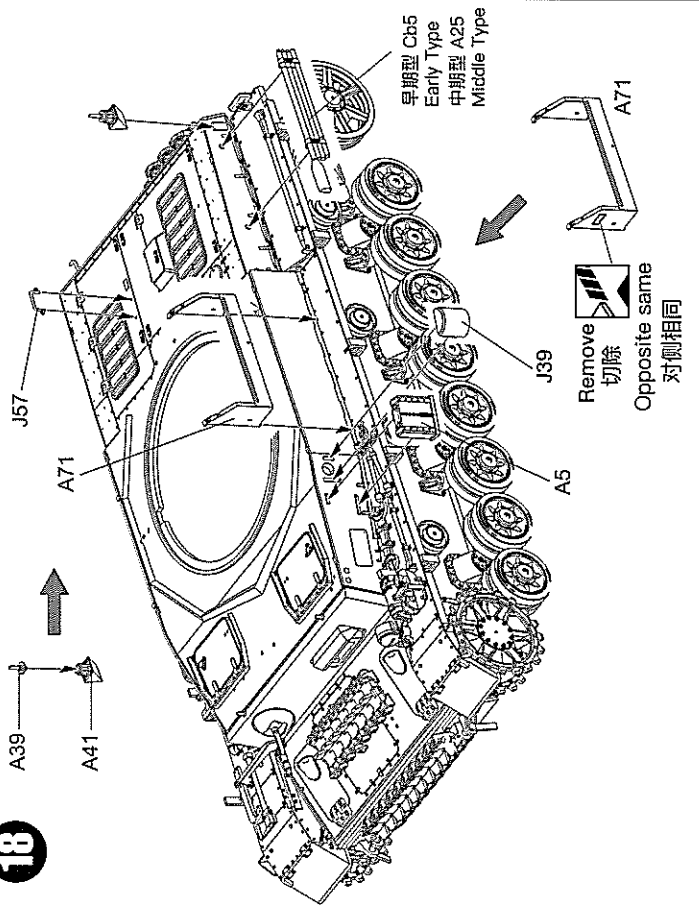
21



20

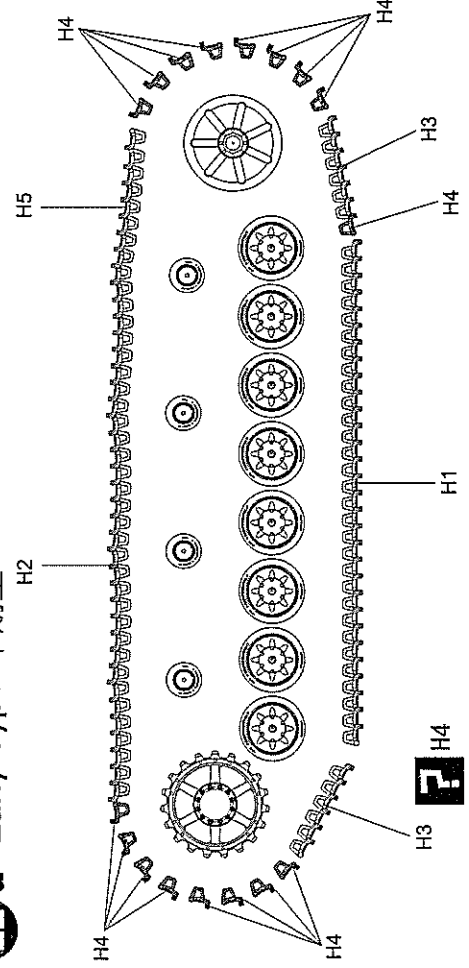


19

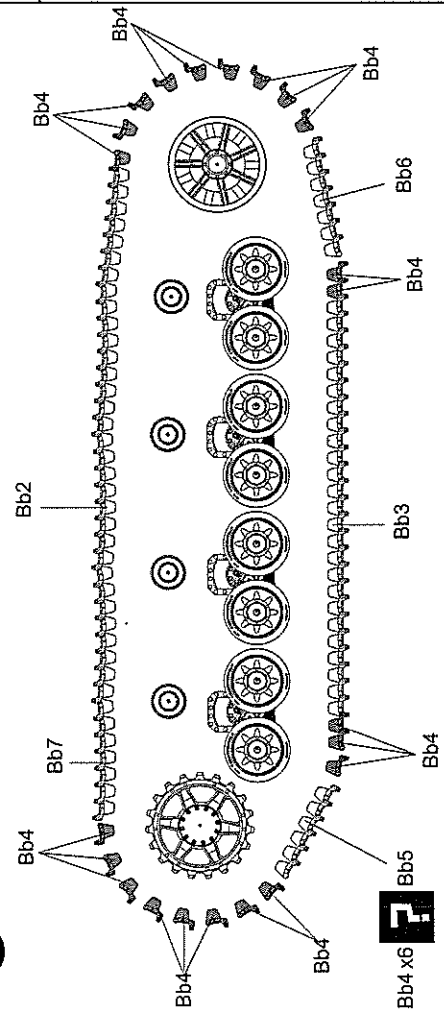


18

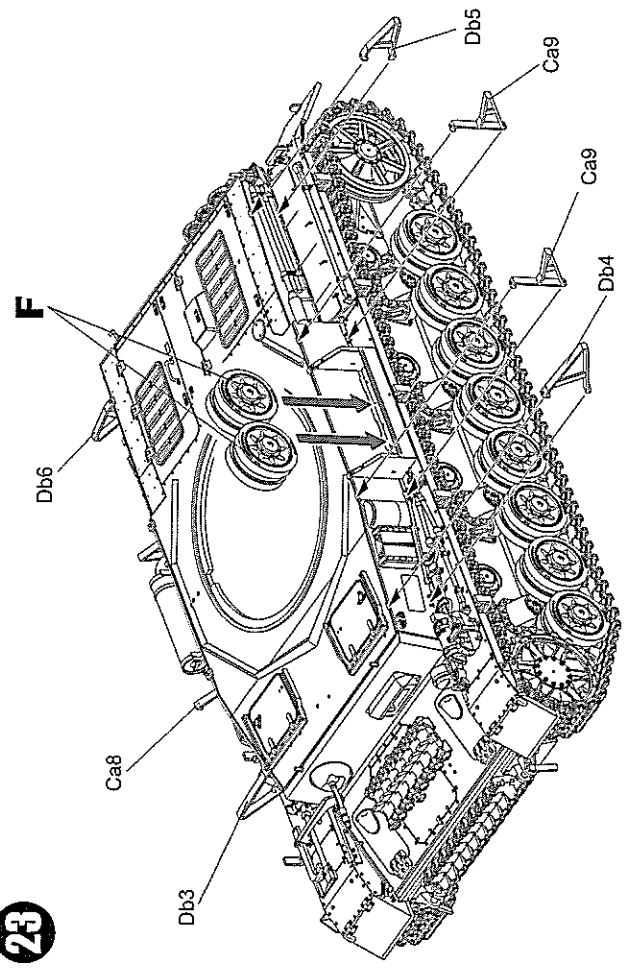
22 a Early Type 早期型



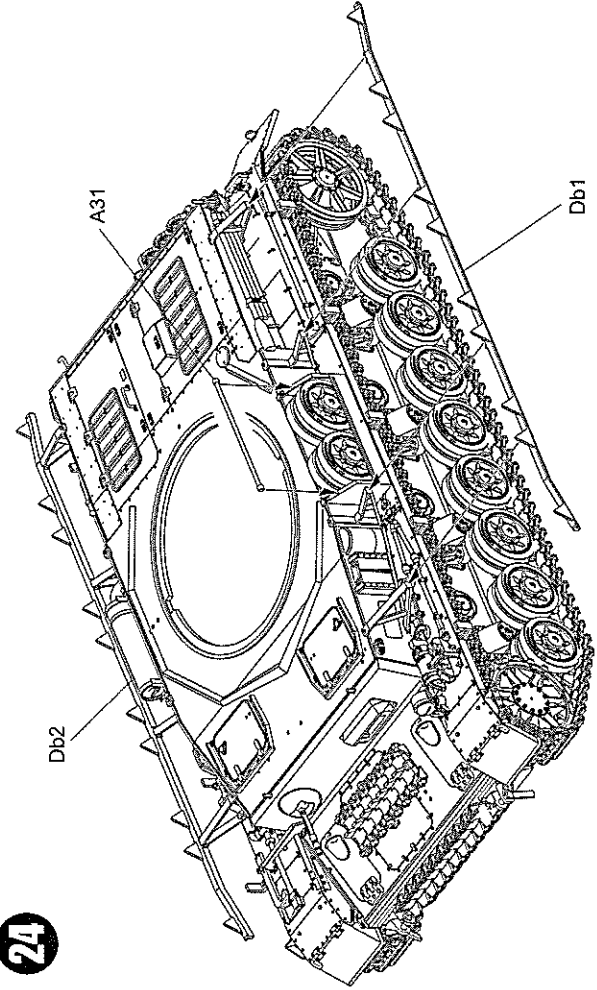
22 b Middle Type 中期型



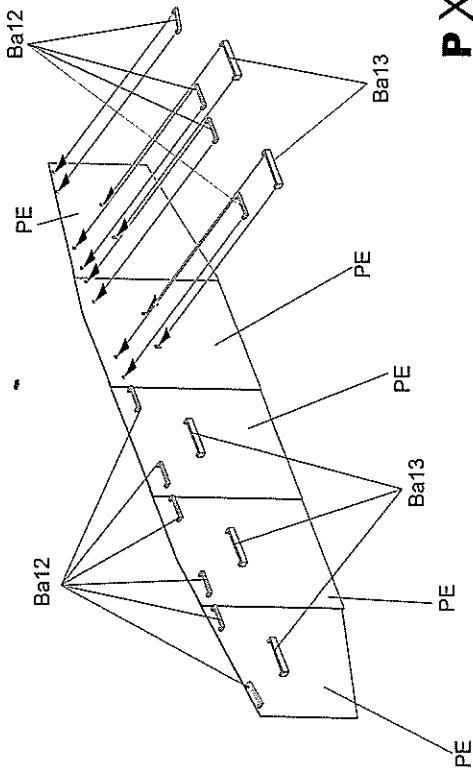
23



24

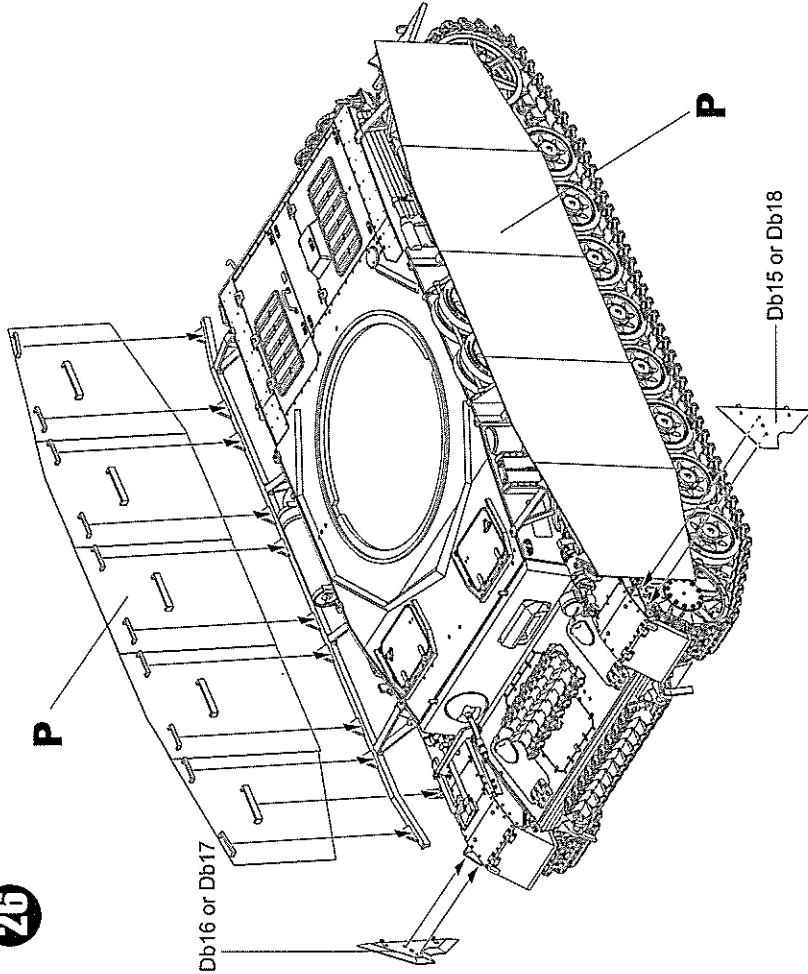


25

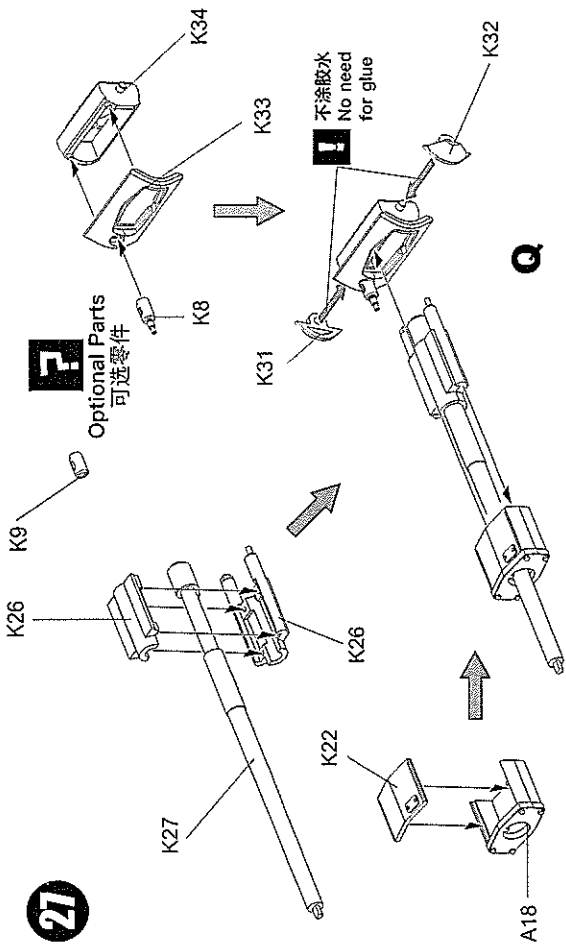


P X2

26

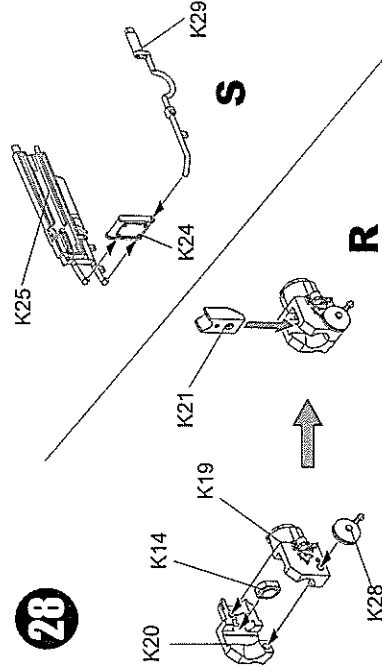


27



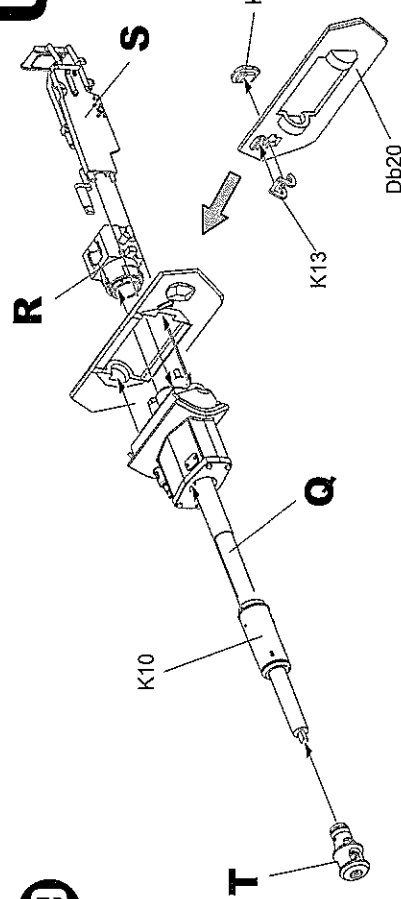
Q

28



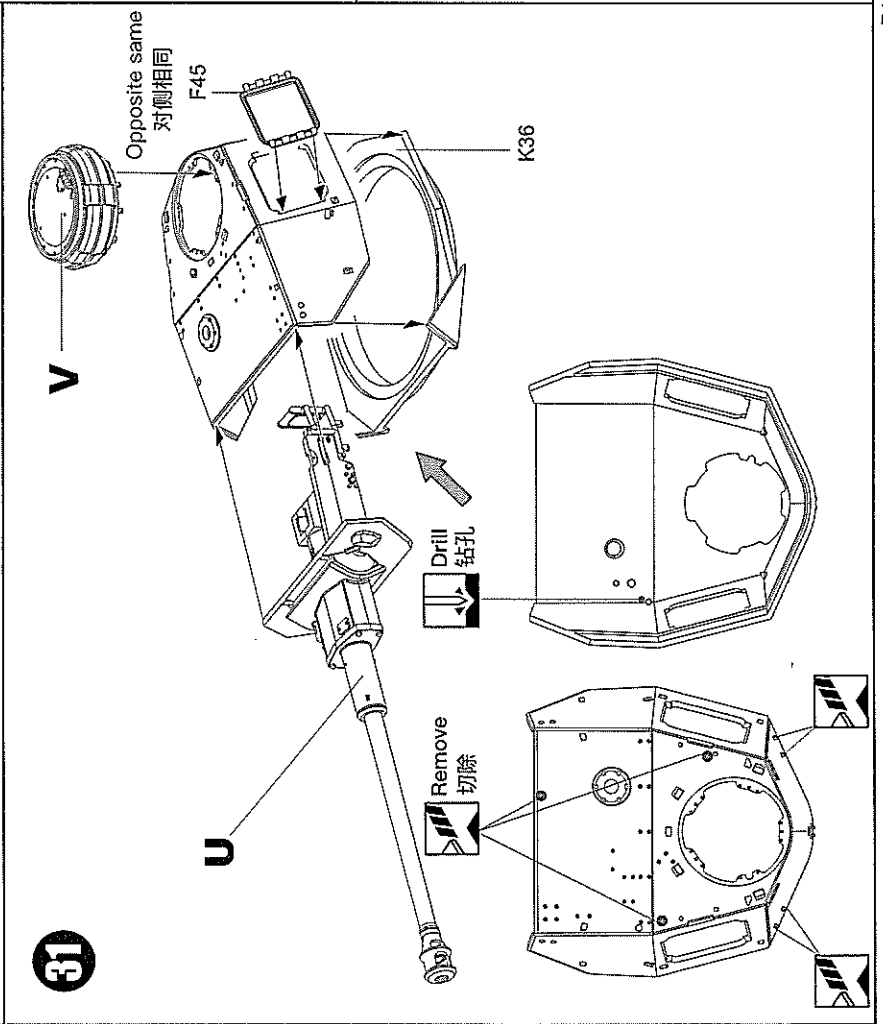
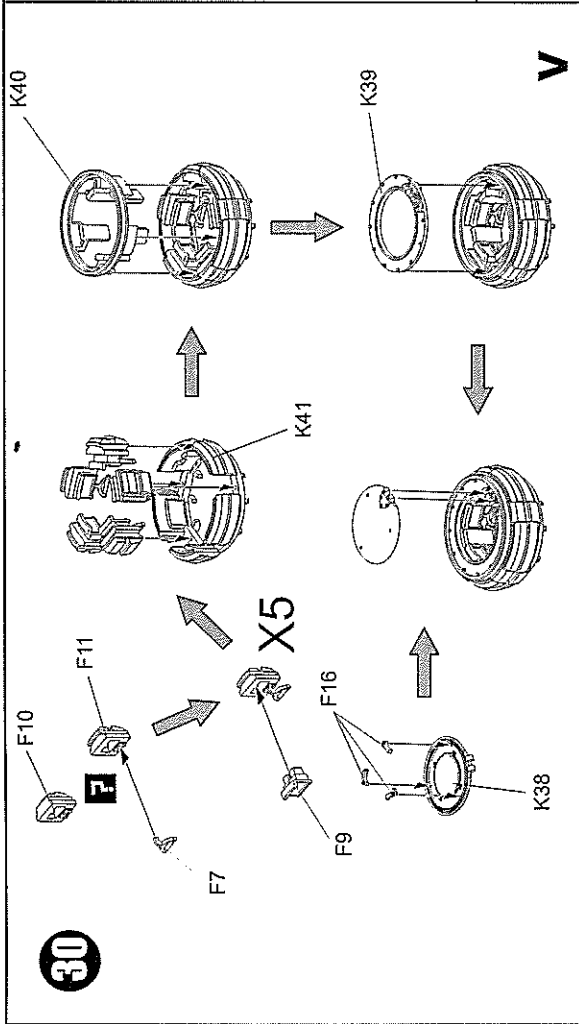
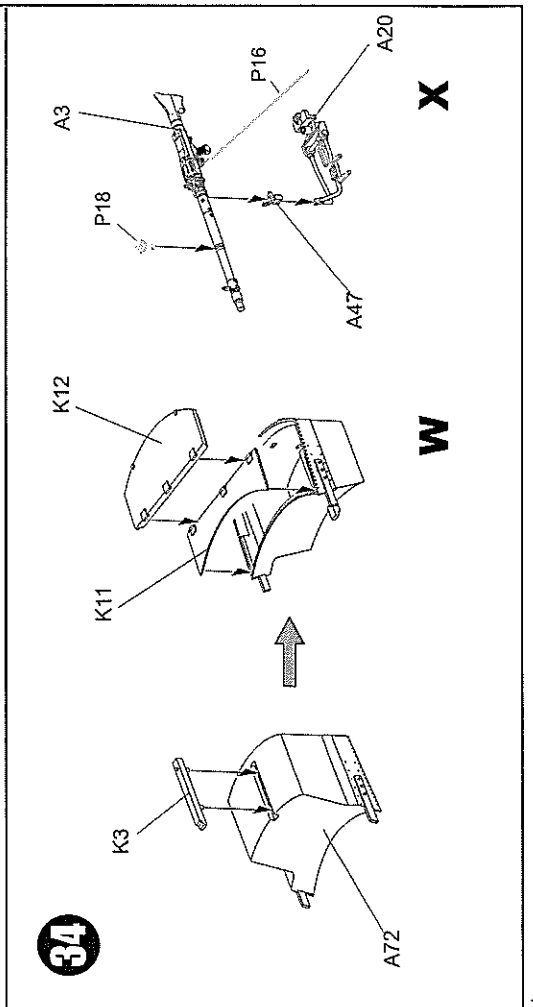
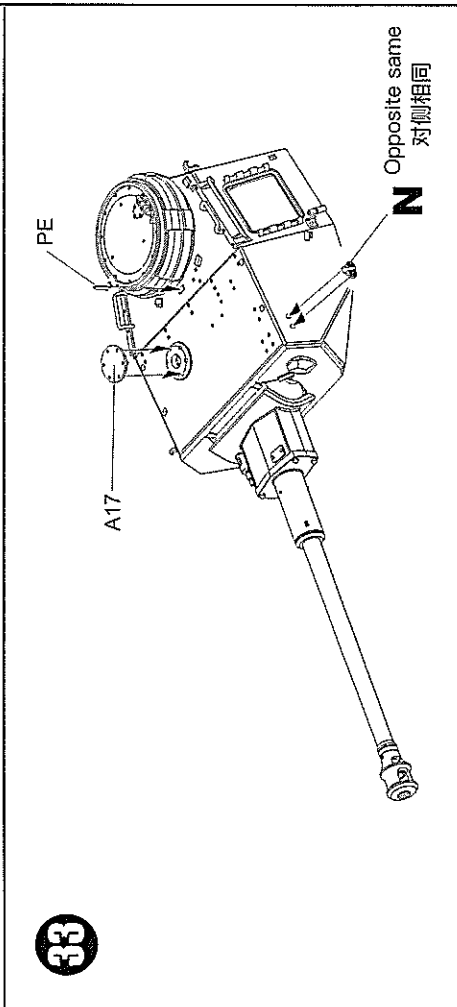
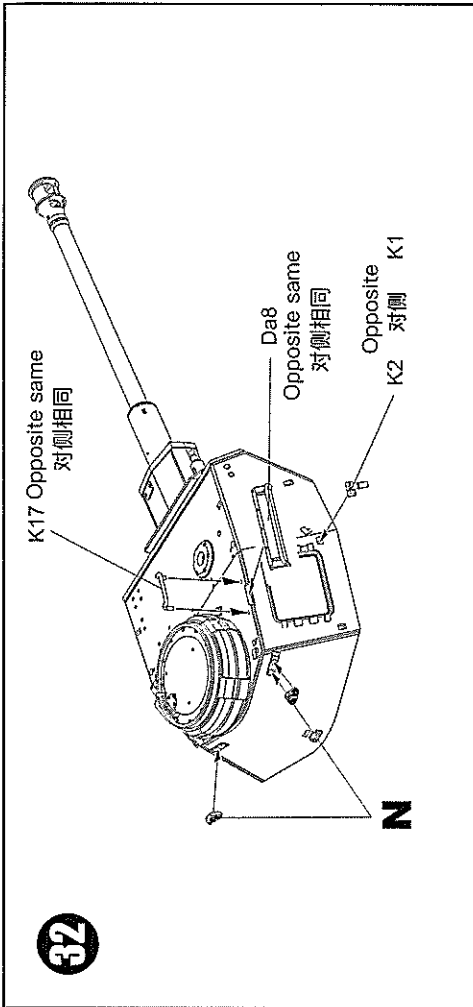
R

29

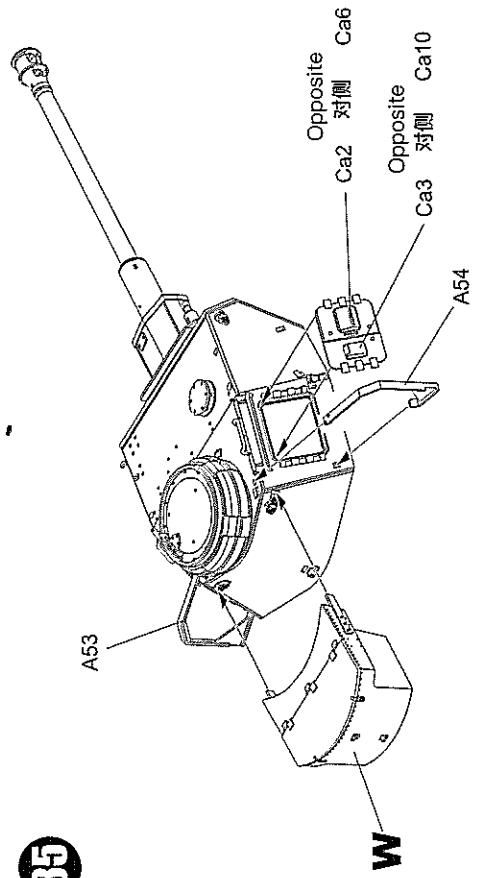


R

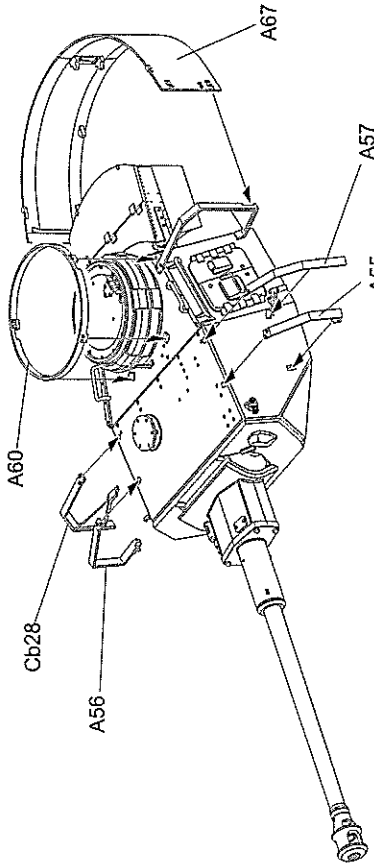
T



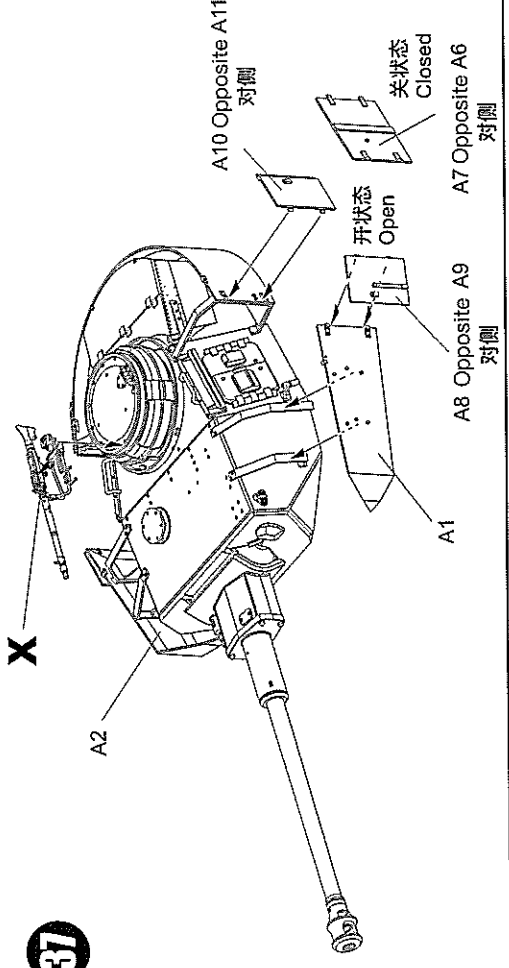
35



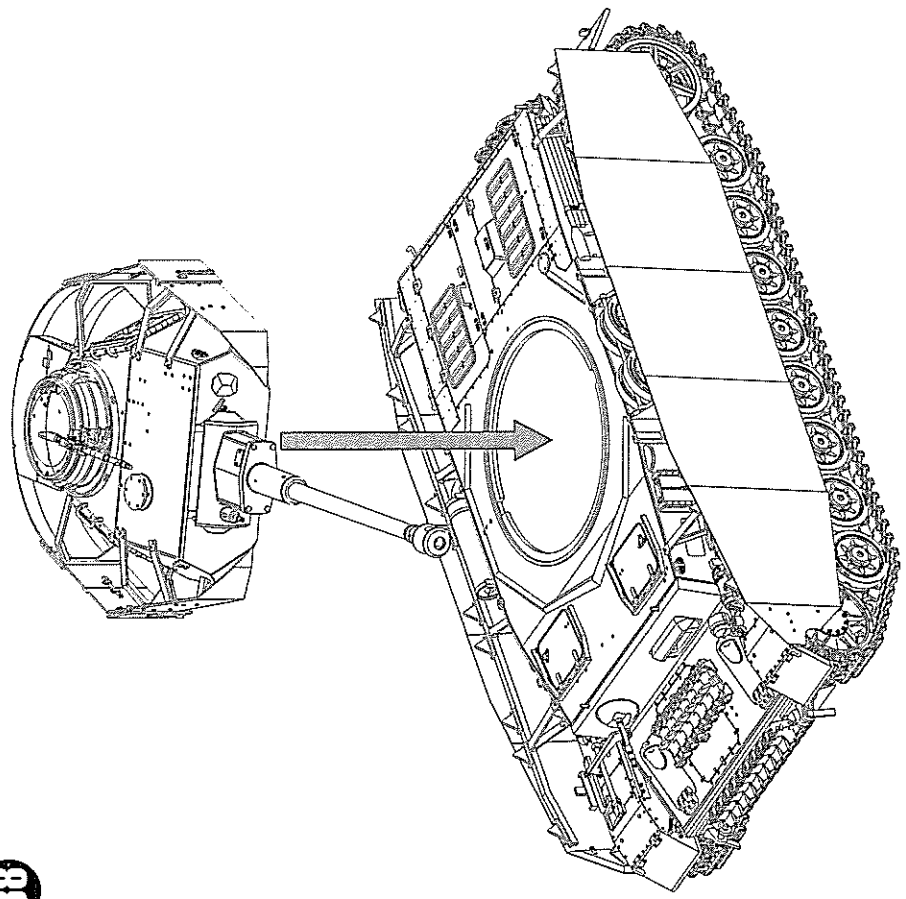
36



37



38



Optional Parts:
Additional Track from T94 Tank
附加履带 (T94坦克用)

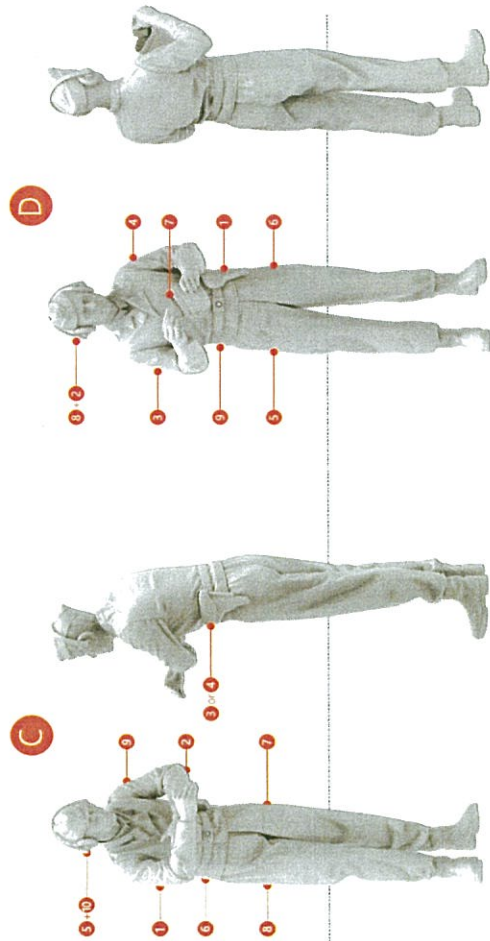
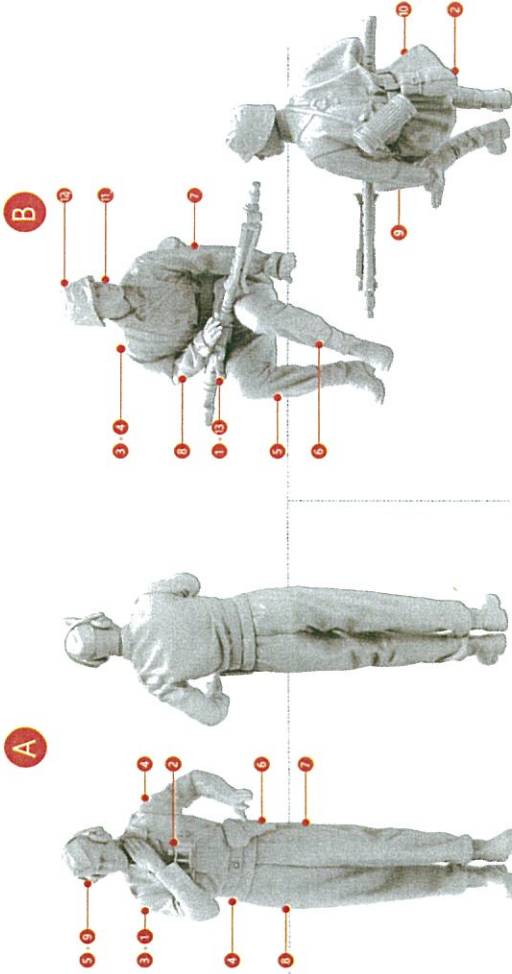
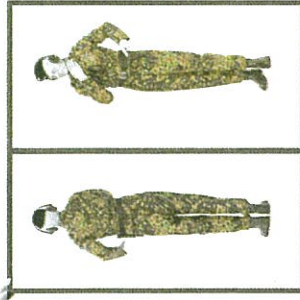
Assembly of Special Optional Parts 特殊的播载物品组装	
(A) x2	F42 P14
(B) x2	F43 G11
(C) x2	F26 F25 F28 F27
(D) x10	F1 F2

Panzer IV Resin Commander
SS 12th Panzer Division For Border Model



JASON

Figure designed and sculpted by JASON EYKHO




Pz. IV Ausf. H

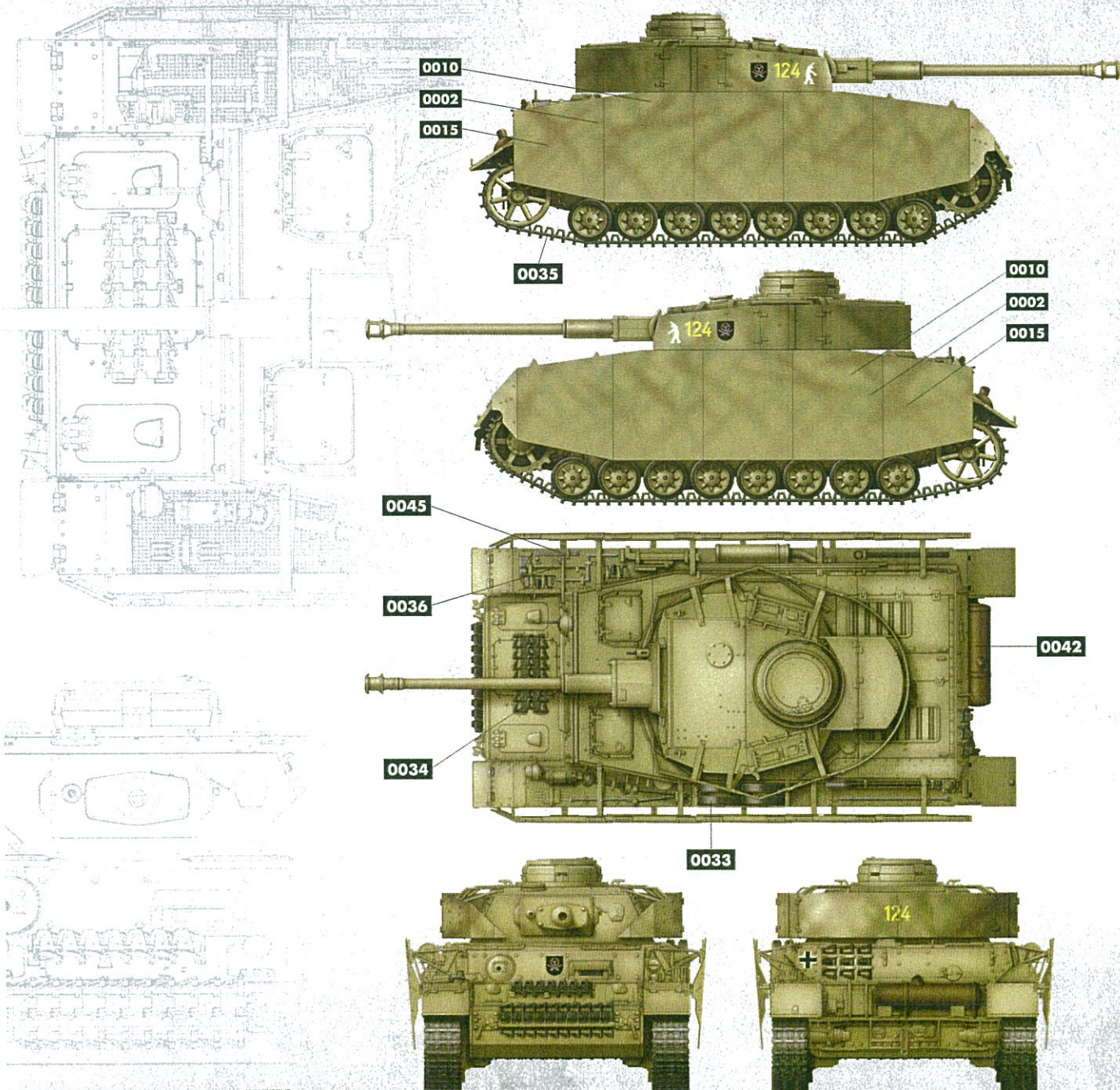
H Early with side armour

PAINTING AND MARKING GUIDE

BORDER MODEL REF:

H Early 4th Armored Division 35th Armored Regiment

 A.MIG-0035 Dark Tracks	 A.MIG-0034 Rust Tracks	 A.MIG-0033 Rubber & Tires	 A.MIG-0042 Old Rust
 A.MIG-0045 Gun Metal	 A.MIG-0010 RAL 7028 Dunkelgelb (Mid War)	 A.MIG-0002 RAL 6003 Olivgrün OPT.2	 A.MIG-0015 RAL 8017 Skochobraun
 A.MIG-0036 Old Wood			



WEATHERING STEPS WITH AMMO PRODUCTS

1 GENERAL WASH A.MIG-1000 Brown Wash for Dark Yellow	3 STREAKING A.MIG-1203 Streaking Grime	5 RUST A.MIG-1204 Streaking Rust Effects	7 MUD A.MIG-1702 Turned Earth	9 FUEL A.MIG-1409 Fuel Stains
2 FILTER A.MIG-1511 Brown for Dark Yellow	4 TRACKS WASH A.MIG-1002 Tracks Wash	6 DUST A.MIG-3010 Concrete	8 SPLASHES A.MIG-1751 Dry Steppe	10 OIL A.MIG-1408 Fresh Engine Oil

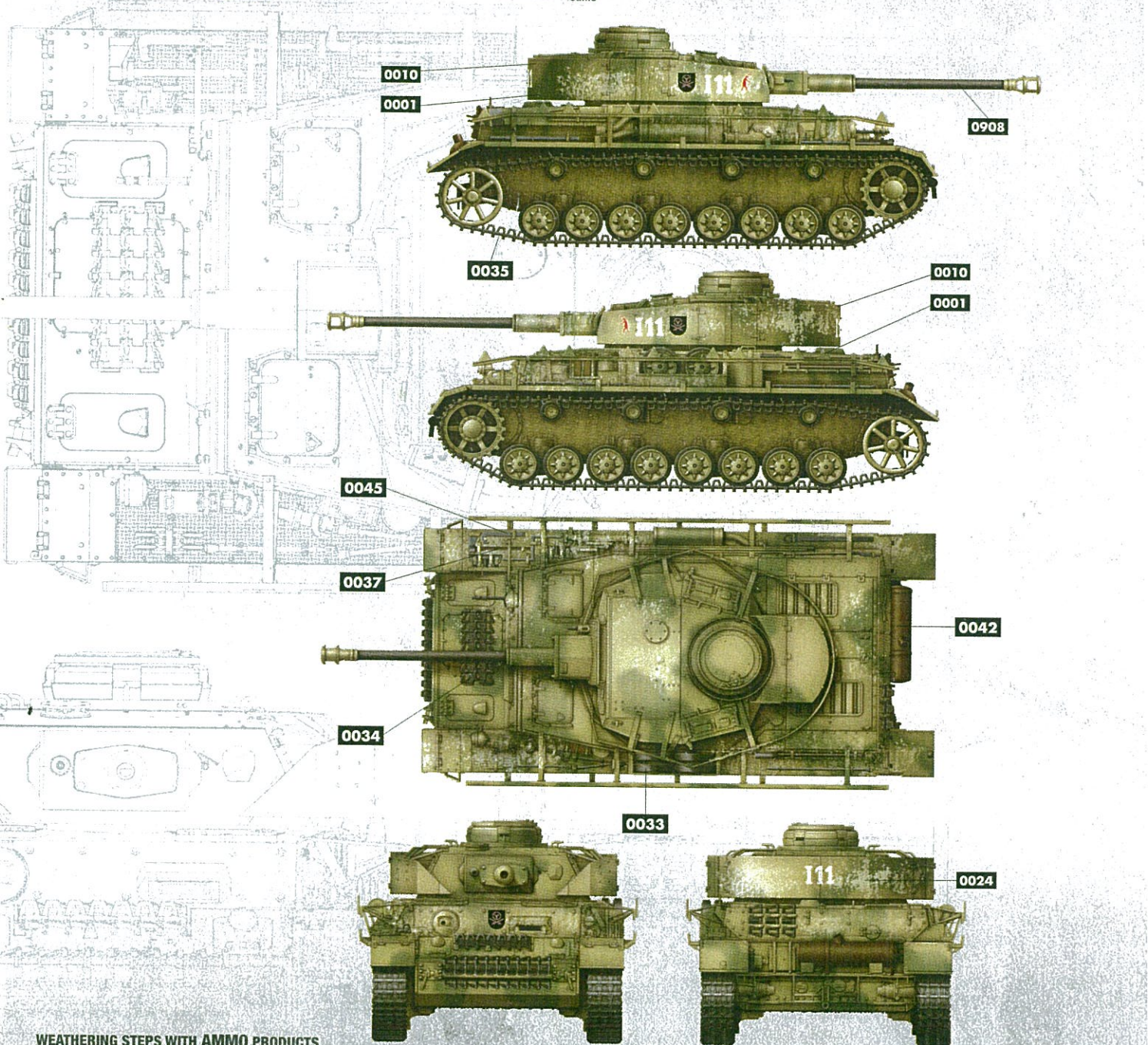
PZ. IV Ausf. H

H Early without side armour

PAINTING AND MARKING GUIDE

BORDER MODEL REF: H Early 1944. 4 Koveli, Ukraine 4th armored Division, 35th Armored Regiment

- | | | | |
|--|--|--|--|
|  A.MIG-0035 Dark Tracks |  A.MIG-0034 Rust Tracks |  A.MIG-0033 Rubber & Tires |  A.MIG-0042 Old Rust |
|  A.MIG-0045 Gun Metal |  A.MIG-0010 RAL 7028 Dunkelgelb (Mid War) |  A.MIG-0001 RAL 6003 Olivgrün OPT.1 |  A.MIG-0908 Dunkelgrau Base |
|  A.MIG-0037 New Wood |  A.MIG-0024 Washable White Camo | | |



WEATHERING STEPS WITH AMMO PRODUCTS

- | | | | | |
|--|--|---|---|--|
| 1 GENERAL WASH
A.MIG-1000 Brown Wash for Dark Yellow | 3 STREAKING
A.MIG-1205 Streaking Grime for Winter Vehicles | 5 RUST
A.MIG-1254 Streakingbrusher Rust | 7 MUD
A.MIG-1704 Heavy Earth | 9 FUEL
A.MIG-1409 Fuel Stains |
| 2 FILTER
A.MIG-1511 Brown for Dark Yellow | 4 TRACKS WASH
A.MIG-1002 Tracks Wash | 6 DUST
A.MIG-3011 Airfield Dust | 8 SPLASHES
A.MIG-1753 Turned Dirt | 10 OIL
A.MIG-1408 Fresh Engine Oil |










Pz. IV Ausf. H

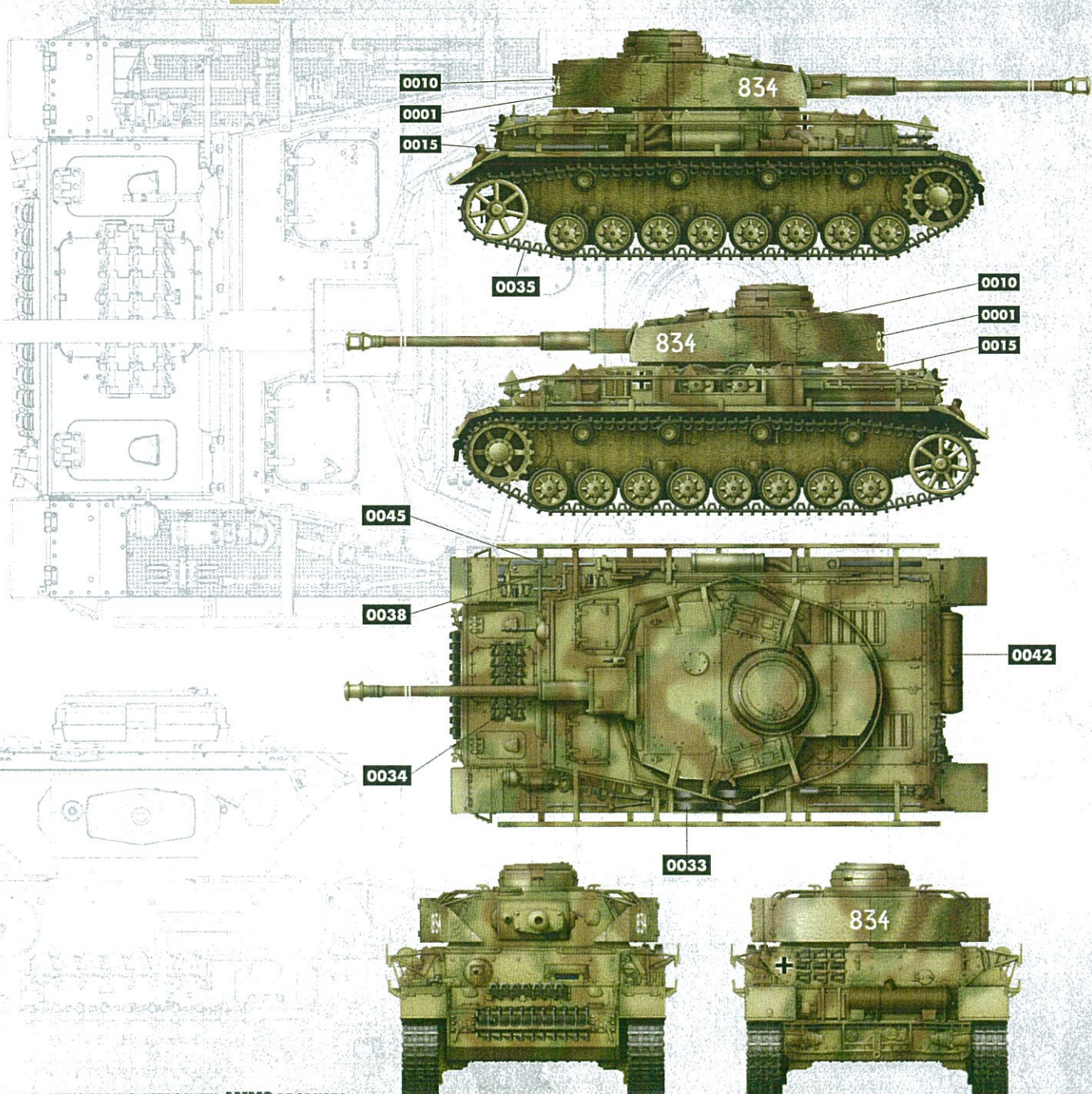
H Early without side armour

PAINTING AND MARKING GUIDE

BORDER MODEL REF:

H Early Pz Regiment 26. 26 Pz Dv. July 1944. Italian front

 A.MIG-0035 Dark Tracks	 A.MIG-0034 Rust Tracks	 A.MIG-0033 Rubber & Tires	 A.MIG-0042 Old Rust
 A.MIG-0045 Gun Metal	 A.MIG-0010 RAL 7028 Dunkelgelb (Mid War)	 A.MIG-0001 RAL 6003 Olivgrün OPT1	 A.MIG-0015 RAL 8017 Skochbraun
 A.MIG-0038 Light Wood			



WEATHERING STEPS WITH AMMO PRODUCTS

1 GENERAL WASH A.MIG-1008 Dark Wash	3 STREAKING A.MIG-1203 Streaking Grime	5 RUST A.MIG-1254 Streakingbrusher Rust	7 MUD A.MIG-1701 Thick Soil	9 FUEL A.MIG-1409 Fuel Stains
2 FILTER A.MIG-1510 Tan for 3 Tone Camo	4 TRACKS WASH A.MIG-1002 Tracks Wash	6 DUST A.MIG-3012 Sand	8 SPLASHES A.MIG-1751 Dry Steppe	10 OIL A.MIG-1408 Fresh Engine Oil





PZ. IV Ausf. H

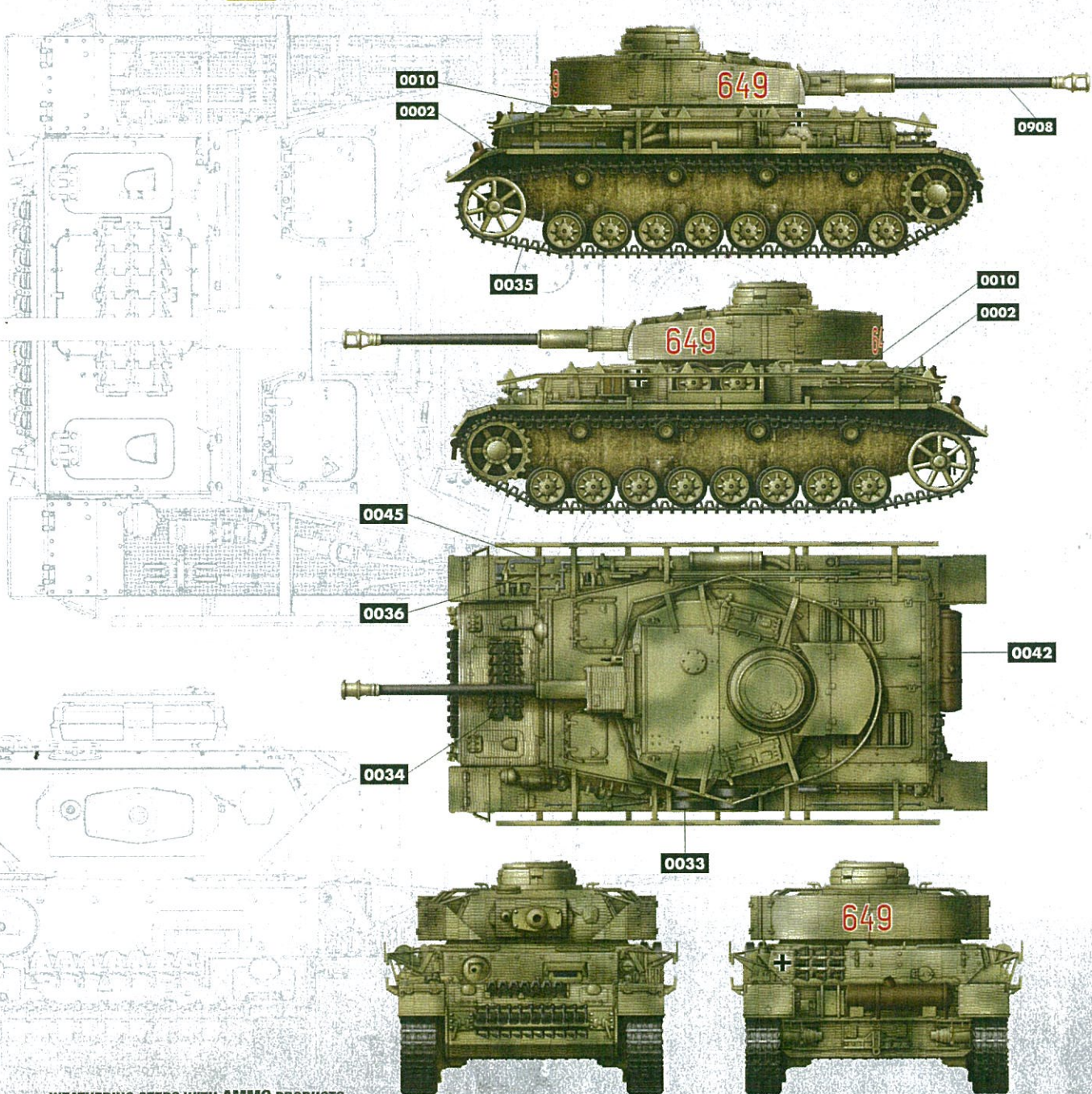
H Early without side armour

PAINTING AND MARKING GUIDE

BORDER MODEL REF:

H Early Winter LAH Armored Division No 649

- | | | | |
|--|--|---|--|
|  A.MIG-0035 Dark Tracks |  A.MIG-0034 Rust Tracks |  A.MIG-0033 Rubber & Tires |  A.MIG-0042 Old Rust |
|  A.MIG-0045 Gun Metal |  A.MIG-0010 RAL 7028 Dunkelgelb (Mid War) |  A.MIG-0002 RAL 6003 Olivgrün OPT2 |  A.MIG-0908 Dunkelgrau Base |
|  A.MIG-0036 Old Wood | | | |



WEATHERING STEPS WITH AMMO PRODUCTS

- | | | | | |
|---|---|--|--|--|
| 1 GENERAL WASH
A.MIG-1008 Dark Wash | 3 STREAKING
A.MIG-1256 Streakingbrusher
Green-Grey Grime | 5 RUST
A.MIG-1204 Streaking Rust Effects | 7 MUD
A.MIG-1705 Wet Mud | 9 FUEL
A.MIG-1409 Fuel Stains |
| 2 FILTER
A.MIG-1510 Tan for 3 Tone Camo | 4 TRACKS WASH
A.MIG-1002 Tracks Wash | 6 DUST
A.MIG-3004 Europe Earth | 8 SPLASHES
A.MIG-1754 Damp Earth | 10 OIL
A.MIG-1408 Fresh Engine Oil |

PZ. IV Ausf. H

H Early without side armour

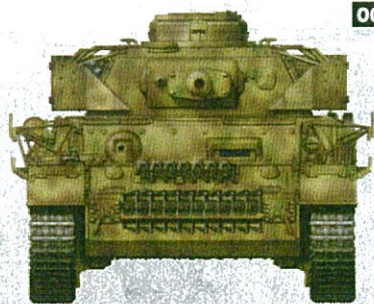
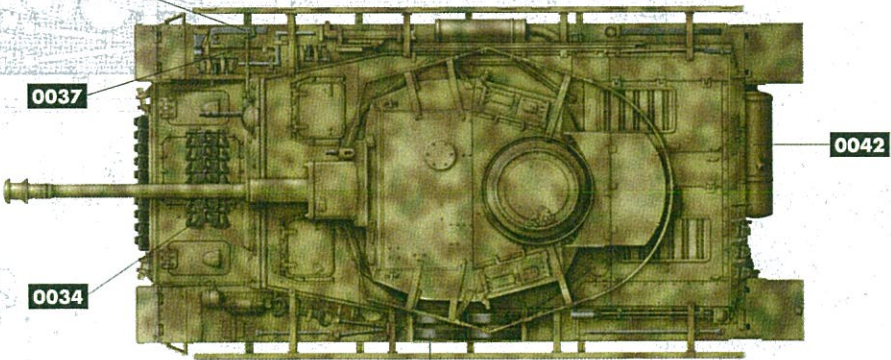
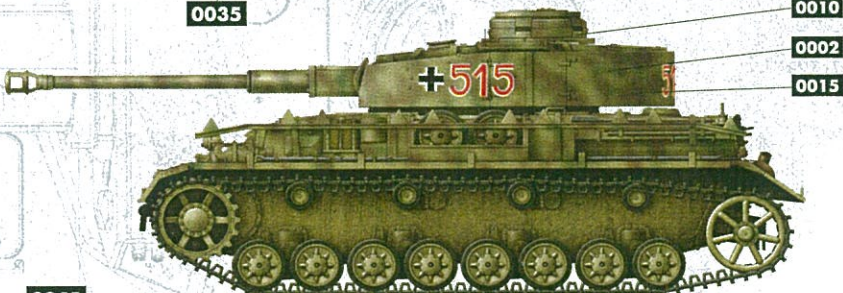
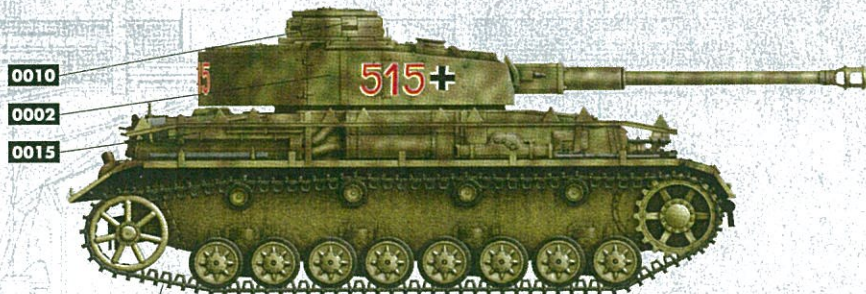


PAINTING AND MARKING GUIDE

BORDER MODEL REF:

H Early Winter LAH Armored Division

- | | | | |
|------------------------|--|------------------------------------|---------------------------------|
| A.MIG-0035 Dark Tracks | A.MIG-0034 Rust Tracks | A.MIG-0033 Rubber & Tires | A.MIG-0042 Old Rust |
| A.MIG-0045 Gun Metal | A.MIG-0010 RAL 7028 Dunkelgelb (Mid War) | A.MIG-0002 RAL 6003 Olivgrun OPT.2 | A.MIG-0015 RAL 8017 Skochobraun |
| A.MIG-0037 New Wood | | | |



WEATHERING STEPS WITH AMMO PRODUCTS

- | | | | | |
|--|--|---|--|---|
| 1 GENERAL WASH
A.MIG-1000 Brown Wash for Dark Yellow | 3 STREAKING
A.MIG-1205 Streaking Grime for Winter Vehicles | 5 RUST
A.MIG-1254 Streakingbrusher Rust | 7 MUD
A.MIG-1704 Heavy Earth | 9 FUEL
A.MIG-1409 Fuel Stains |
| 2 FILTER | 4 TRACKS WASH | 6 DUST | 8 SPLASHES | 10 OIL |

Pz. IV Ausf. H

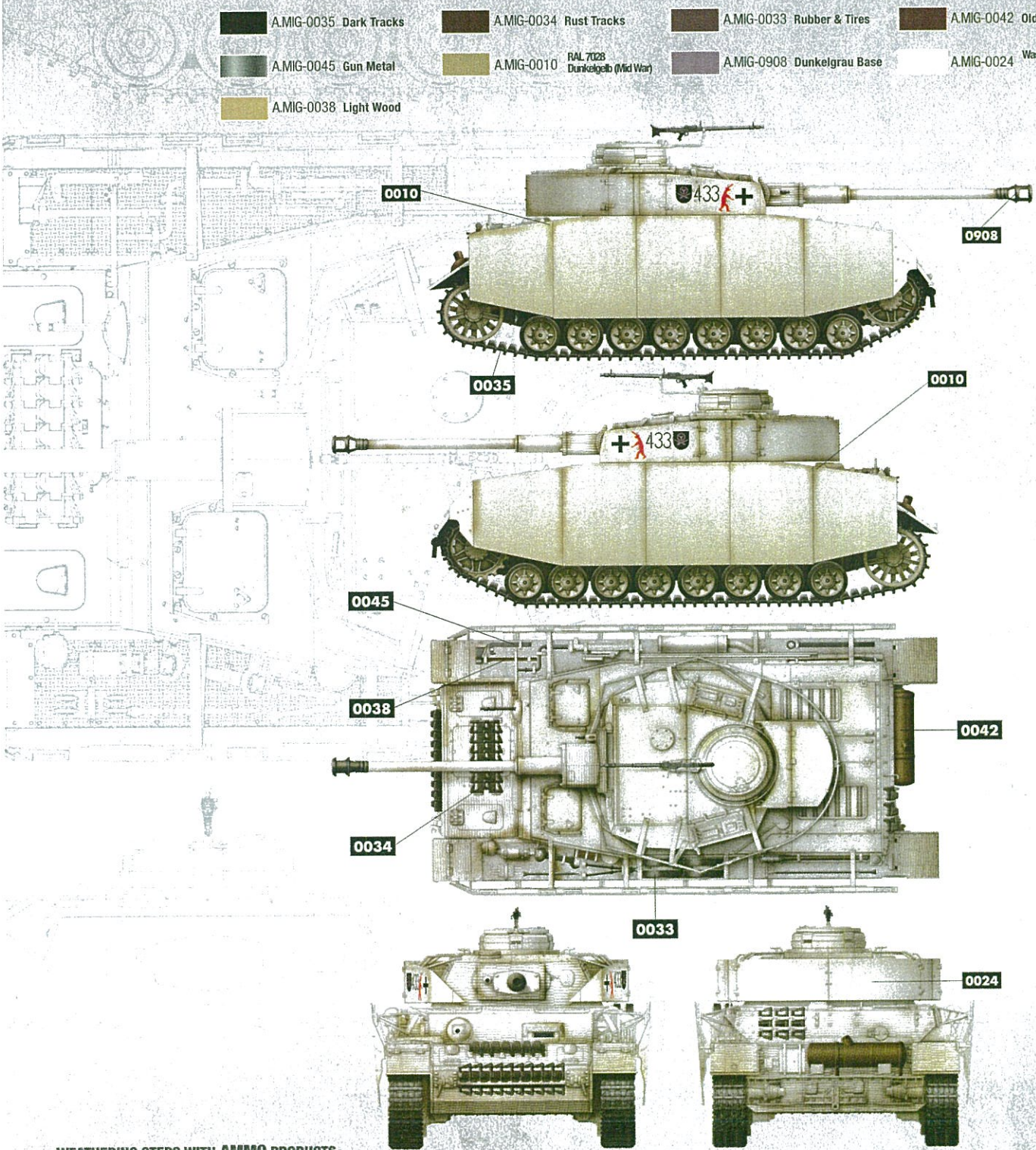
H Mid with side armour

PAINTING AND MARKING GUIDE

BORDER MODEL REF:

H Mid 4th Armored Division 35th Armored Reg

- | | | | |
|--|--|--|--|
|  A.MIG-0035 Dark Tracks |  A.MIG-0034 Rust Tracks |  A.MIG-0033 Rubber & Tires |  A.MIG-0042 Old Rust |
|  A.MIG-0045 Gun Metal |  A.MIG-0010 RAL 7028 Dunkelgelb (Mid War) |  A.MIG-0908 Dunkelgrau Base |  A.MIG-0024 Washable White Camo |
|  A.MIG-0038 Light Wood | | | |



WEATHERING STEPS WITH AMMO PRODUCTS

- | | | | | |
|--|--|---|--|--|
| 1 GENERAL WASH
A.MIG-1010 Neutral Wash | 3 STREAKING
A.MIG-1205 Streaking Grime for Winter Vehicles | 5 RUST
A.MIG-1254 Streakingbrusher Rust | 7 MUD
A.MIG-1705 Wet Mud | 9 FUEL
A.MIG-1409 Fuel Stains |
| 2 FILTER
A.MIG-1501 Grey for White | 4 TRACKS WASH
A.MIG-1002 Tracks Wash | 6 DUST
A.MIG-3027 Farm Dark Earth | 8 SPLASHES
A.MIG-1754 Damp Earth | 10 OIL
A.MIG-1408 Fresh Engine Oil |










PZ. IV Ausf. H

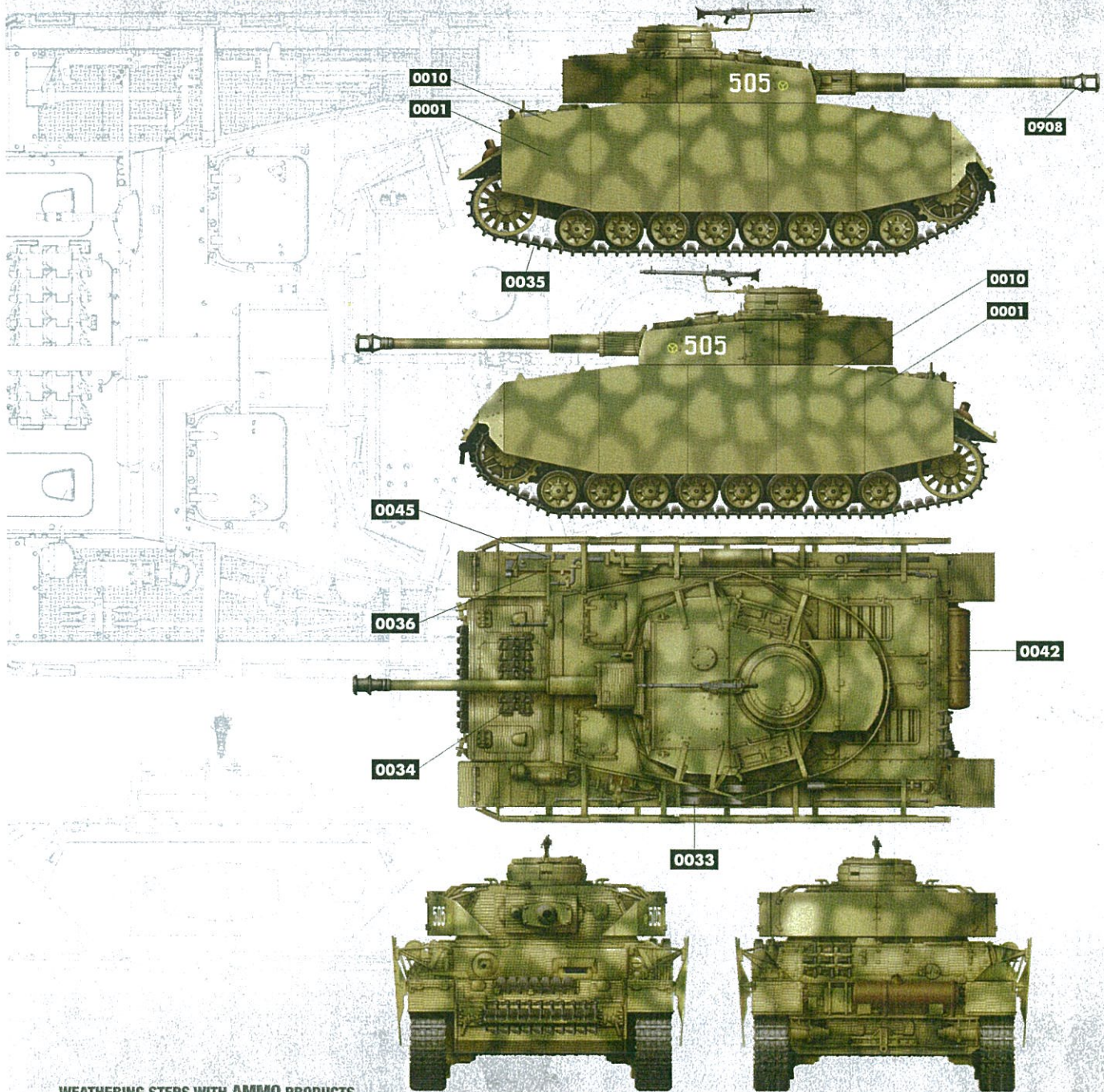
H Mid with side armour

PAINTING AND MARKING GUIDE

BORDER MODEL REF:

H Mid 5th Company, 2nd Bat. 29th Reg. 12th Pz Div

 A.MIG-0035 Dark Tracks	 A.MIG-0034 Rust Tracks	 A.MIG-0033 Rubber & Tires	 A.MIG-0042 Old Rust
 A.MIG-0045 Gun Metal	 A.MIG-0010 RAL 8017 Skochobraun	 A.MIG-0001 RAL 6003 Olivgrün OPT.1	 A.MIG-0908 Dunkelgrau Base
 A.MIG-0036 Old Wood			



WEATHERING STEPS WITH AMMO PRODUCTS

1 GENERAL WASH A.MIG-1000 Brown Wash for Dark Yellow	3 STREAKING A.MIG-1203 Streaking Grime	5 RUST A.MIG-1254 Streakingbrusher Rust	7 MUD A.MIG-1704 Heavy Earth	9 FUEL A.MIG-1409 Fuel Stains
2 FILTER A.MIG-1511 Brown for Dark Yellow	4 TRACKS WASH A.MIG-1002 Tracks Wash	6 DUST A.MIG-3004 Europe Earth	8 SPLASHES A.MIG-1753 Turned Dirt	10 OIL A.MIG-1408 Fresh Engine Oil

Pz. IV Ausf. H

H Mid with side armour

PAINTING AND MARKING GUIDE

BORDER MODEL REF:

H Mid 6 Panzer Reg. 12 SS Pz Div. spring 1944. North Belgium

 A.MIG-0035 Dark Tracks	 A.MIG-0034 Rust Tracks	 A.MIG-0033 Rubber & Tires	 A.MIG-0042 Old Rust
 A.MIG-0045 Gun Metal	 A.MIG-0010 RAL 7028 Dunkelgelb (Mid War)	 A.MIG-0002 RAL 6003 Olivgrün OPT2	 A.MIG-0015 RAL 8017 Skochobraun
 A.MIG-0037 New Wood	 A.MIG-0908 Dunkelgrau Base		

0010

0002

0015

0908

0035

0010

0002

0015

0045

0037

0042

0034

0033

WEATHERING STEPS WITH AMMO PRODUCTS

1 GENERAL WASH

A.MIG-1005 Dark Brown Wash for Green vehicles

2 FILTER

A.MIG-1510 Tan for 3 Tone Camo

3 STREAKING

A.MIG-1253 Streakingbrusher Grime

4 TRACKS WASH

A.MIG-1002 Tracks Wash

5 RUST

A.MIG-3510 Rust

6 DUST

A.MIG-3011 Airfield Dust

7 MUD

A.MIG-1704 Heavy Earth

8 SPLASHES

A.MIG-1753 Turned Dirt

9 FUEL

A.MIG-1409 Fuel Stains

10 OIL










A.MIG-1408 Fresh Engine Oil

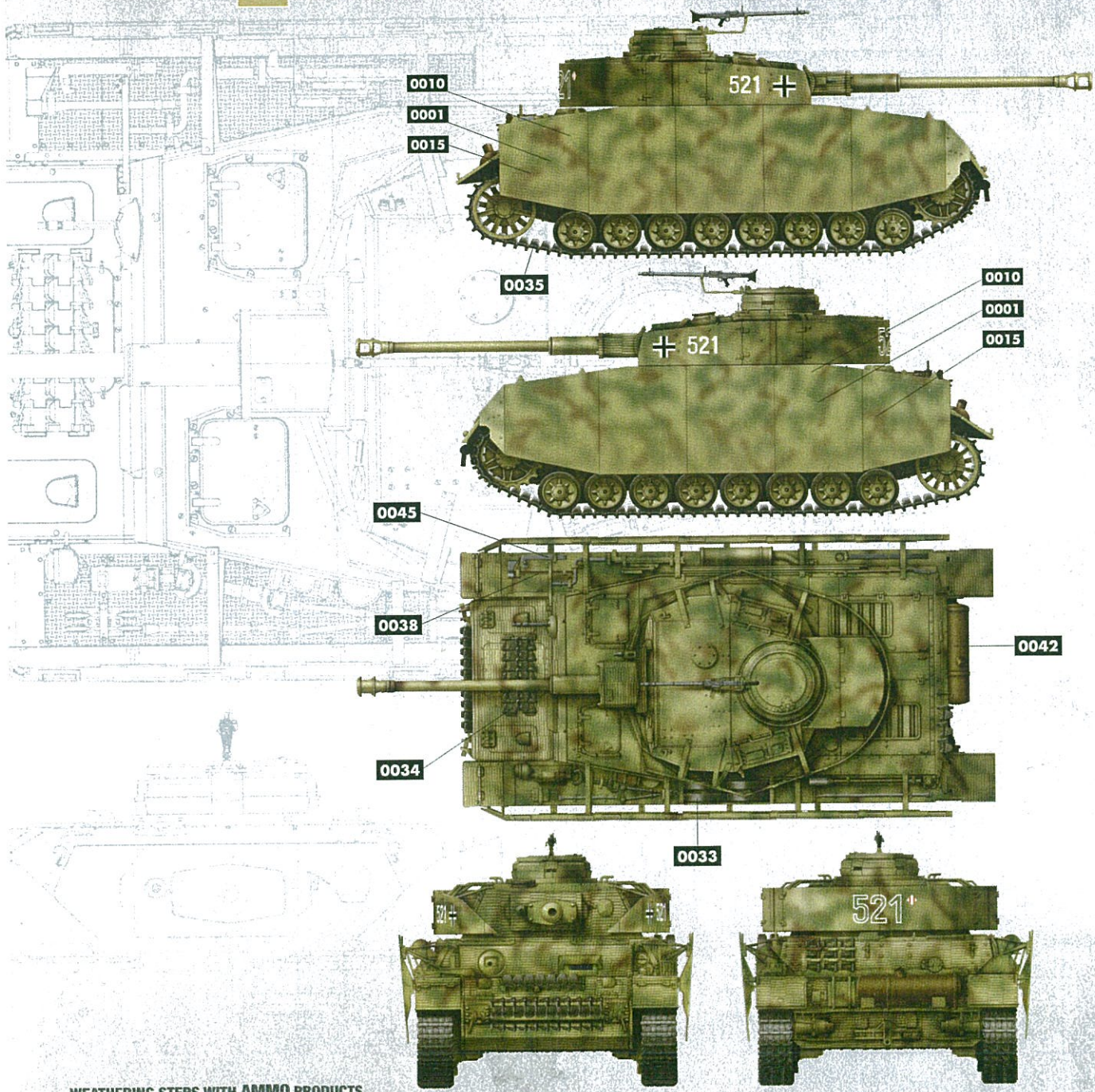
PZ. IV Ausf. H

H Mid with side armour

PAINTING AND MARKING GUIDE

BORDER MODEL REF: H Mid 1944 3 Hungary 130. Panzer-Lehr Div. 5th Bat

 A.MIG-0035 Dark Tracks	 A.MIG-0034 Rust Tracks	 A.MIG-0033 Rubber & Tires	 A.MIG-0042 Old Rust
 A.MIG-0045 Gun Metal	 A.MIG-0010 RAL 7028 Dunkelgelb (Mid War)	 A.MIG-0001 RAL 6003 Olivgrün OPT.1	 A.MIG-0015 RAL 8017 Skochbraun
 A.MIG-0038 Light Wood			



WEATHERING STEPS WITH AMMO PRODUCTS









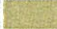
1 GENERAL WASH A.MIG-1000 Brown Wash for Dark Yellow	3 STREAKING A.MIG-1253 Streakingbrusher Grime	5 RUST A.MIG-1254 Streakingbrusher Rust	7 MUD A.MIG-1703 Moist Ground	9 FUEL A.MIG-1409 Fuel Stains
2 FILTER A.MIG-1510 Tan for 3 Tone Camo	4 TRACKS WASH A.MIG-1002 Tracks Wash	6 DUST A.MIG-3013 Rubble	8 SPLASHES A.MIG-1752 Loose Ground	10 OIL A.MIG-1408 Fresh Engine Oil

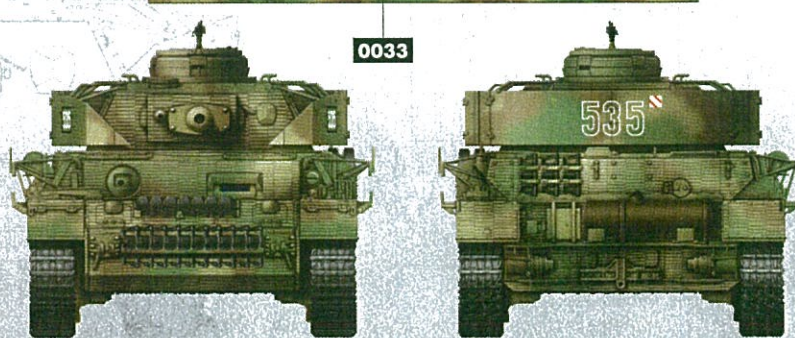
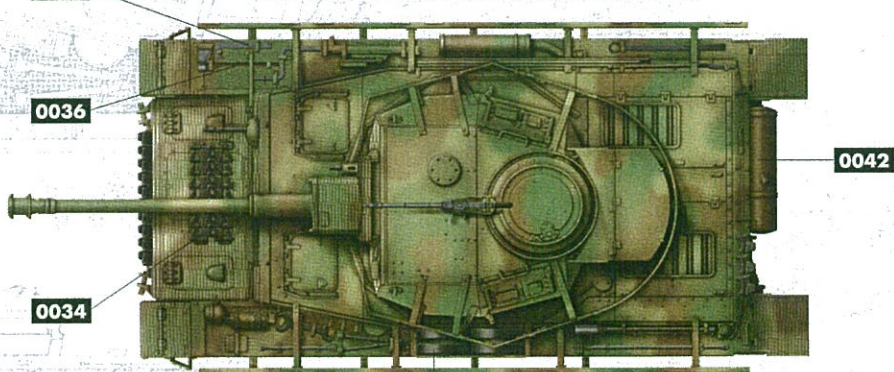
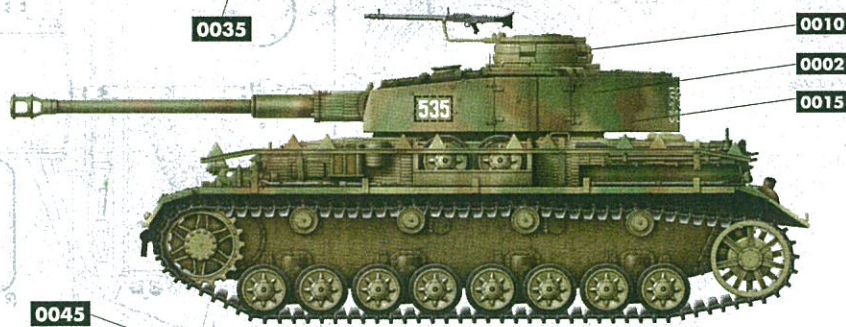
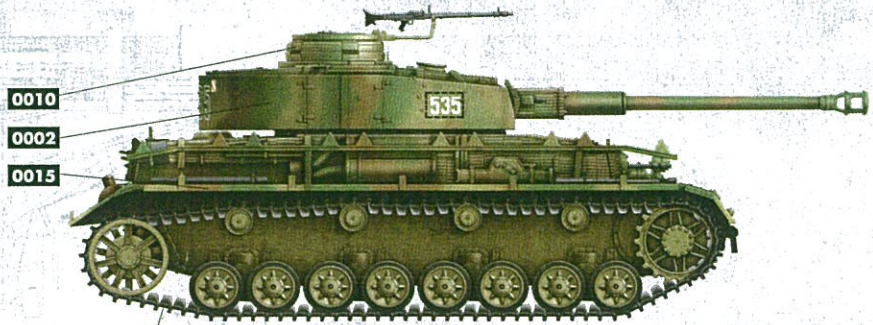
Pz. IV Ausf. H

H Mid without side armour

PAINTING AND MARKING GUIDE

BORDER MODEL REF: H Mid Pz 5th Regiment, Panzer Lehrdivision, July 1944 Normandy

 A.MIG-0035 Dark Tracks	 A.MIG-0034 Rust Tracks	 A.MIG-0033 Rubber & Tires	 A.MIG-0042 Old Rust
 A.MIG-0045 Gun Metal	 A.MIG-0010 RAL 7028 Dunkelgelb (Mid War)	 A.MIG-0002 RAL 6003 Olivgrün OPT2	 A.MIG-0015 RAL 8017 Skochbraun
 A.MIG-0036 Old Wood			



WEATHERING STEPS WITH AMMO PRODUCTS

1 GENERAL WASH A.MIG-1008 Dark Wash	3 STREAKING A.MIG-1206 Dark Streaking Grime	5 RUST A.MIG-1204 Streaking Rust Effects	7 MUD A.MIG-1702 Turned Earth	9 FUEL A.MIG-1409 Fuel Stains
2 FILTER A.MIG-1510 Tan for 3 Tone Camo	4 TRACKS WASH A.MIG-1002 Tracks Wash	6 DUST A.MIG-3004 Europe Earth	8 SPLASHES A.MIG-1751 Dry Steppe	10 OIL A.MIG-1408 Fresh Engine Oil

Pz. IV Ausf. H

H Mid without side armour

PAINTING AND MARKING GUIDE

BORDER MODEL REF:

H Mid Pz Regiment 6. 3 Panzer division, summer of 1944, Easter front, South Ukraine

 A.MIG-0035 Dark Tracks	 A.MIG-0034 Rust Tracks	 A.MIG-0033 Rubber & Tires	 A.MIG-0042 Old Rust
 A.MIG-0045 Gun Metal	 A.MIG-0010 RAL 7028 Dunkelgelb (Mid War)	 A.MIG-0002 RAL 6003 Olivgrün OPT2	 A.MIG-0908 Dunkelgrau Base
 A.MIG-0037 New Wood			

0010

0002

0908

0035

0010

0002

0045

0037

0042

0034

0033

WEATHERING STEPS WITH AMMO PRODUCTS

1 GENERAL WASH A.MIG-1000 Brown Wash for Dark Yellow	3 STREAKING A.MIG-1257 Streakingbrusher Warm Dirty Grey	5 RAINMARKS A.MIG-1208 Rainmarks Effects	7 MUD A.MIG-1703 Moist Ground	9 FUEL A.MIG-1409 Fuel Stains
2 FILTER A.MIG-1511 Brown for Dark Yellow	4 TRACKS WASH A.MIG-1002 Tracks Wash	6 DUST A.MIG-3011 Airfield Dust	8 SPLASHES A.MIG-1752 Loose Ground	10 OIL A.MIG-1408 Fresh Engine Oil

PZ. IV Ausf. H

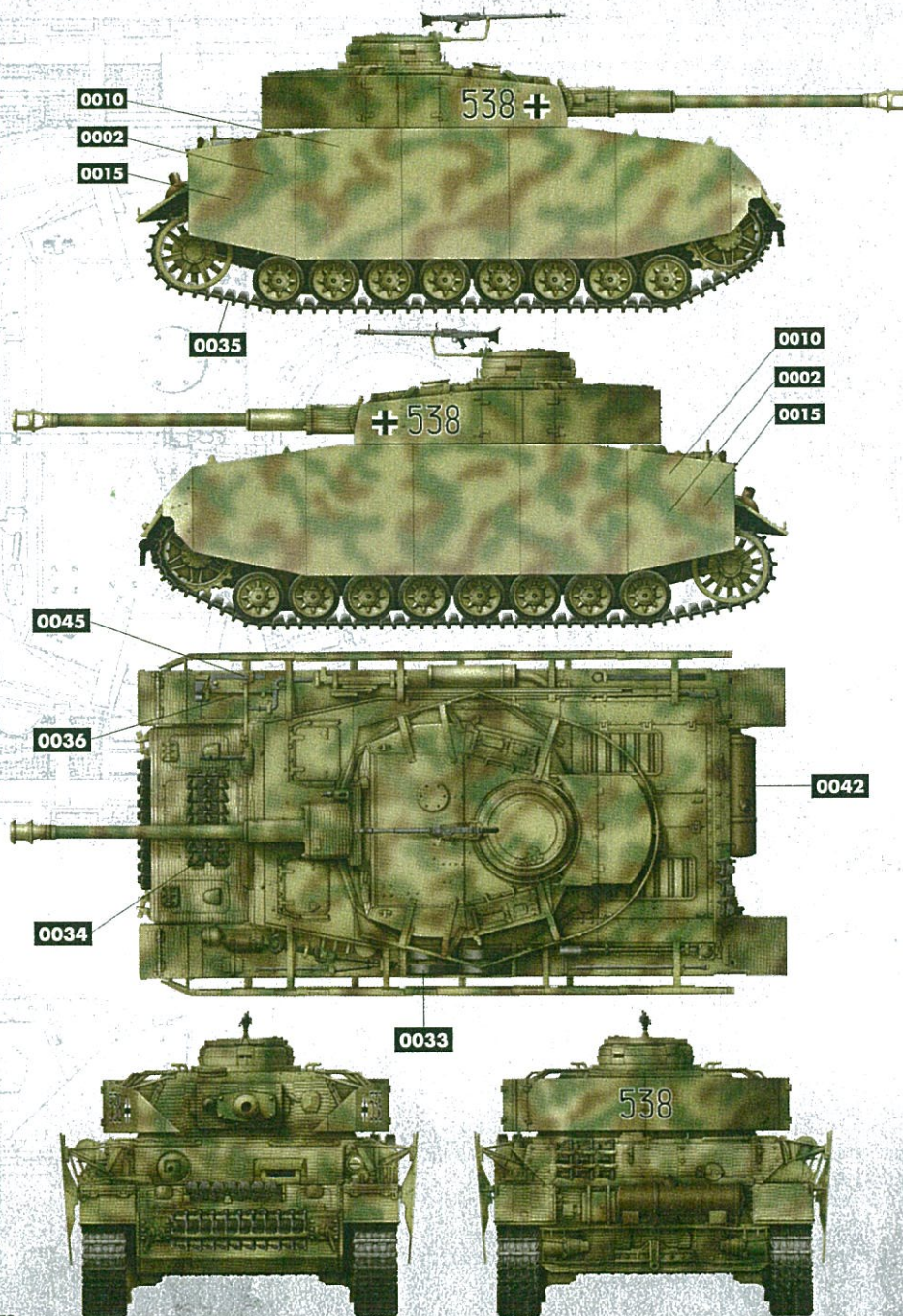
H Mid with side armour

PAINTING AND MARKING GUIDE

BORDER MODEL REF:

H Mid SS12 Normandy Caen. Boxart

 A.MIG-0035 Dark Tracks	 A.MIG-0034 Rust Tracks	 A.MIG-0033 Rubber & Tires	 A.MIG-0042 Old Rust
 A.MIG-0045 Gun Metal	 A.MIG-0010 RAL 7028 Dunkelgelb (Mid War)	 A.MIG-0002 RAL 6003 Olivgrün OPT2	 A.MIG-0015 RAL 8017 Skochobraun
 A.MIG-0036 Old Wood			



WEATHERING STEPS WITH AMMO PRODUCTS

1 GENERAL WASH A.MIG-1008 Dark Wash	3 STREAKING A.MIG-1206 Dark Streaking Grime	5 RUST A.MIG-1204 Streaking Rust Effects	7 MUD A.MIG-1702 Turned Earth	9 FUEL A.MIG-1409 Fuel Stains
2 FILTER A.MIG-1510 Tan for 3 Tone Camo	4 TRACKS WASH A.MIG-1002 Tracks Wash	6 DUST A.MIG-3004 Europe Earth	8 SPLASHES A.MIG-1751 Dry Steppe	10 OIL A.MIG-1408 Fresh Engine Oil











PZ. IV Ausf. H

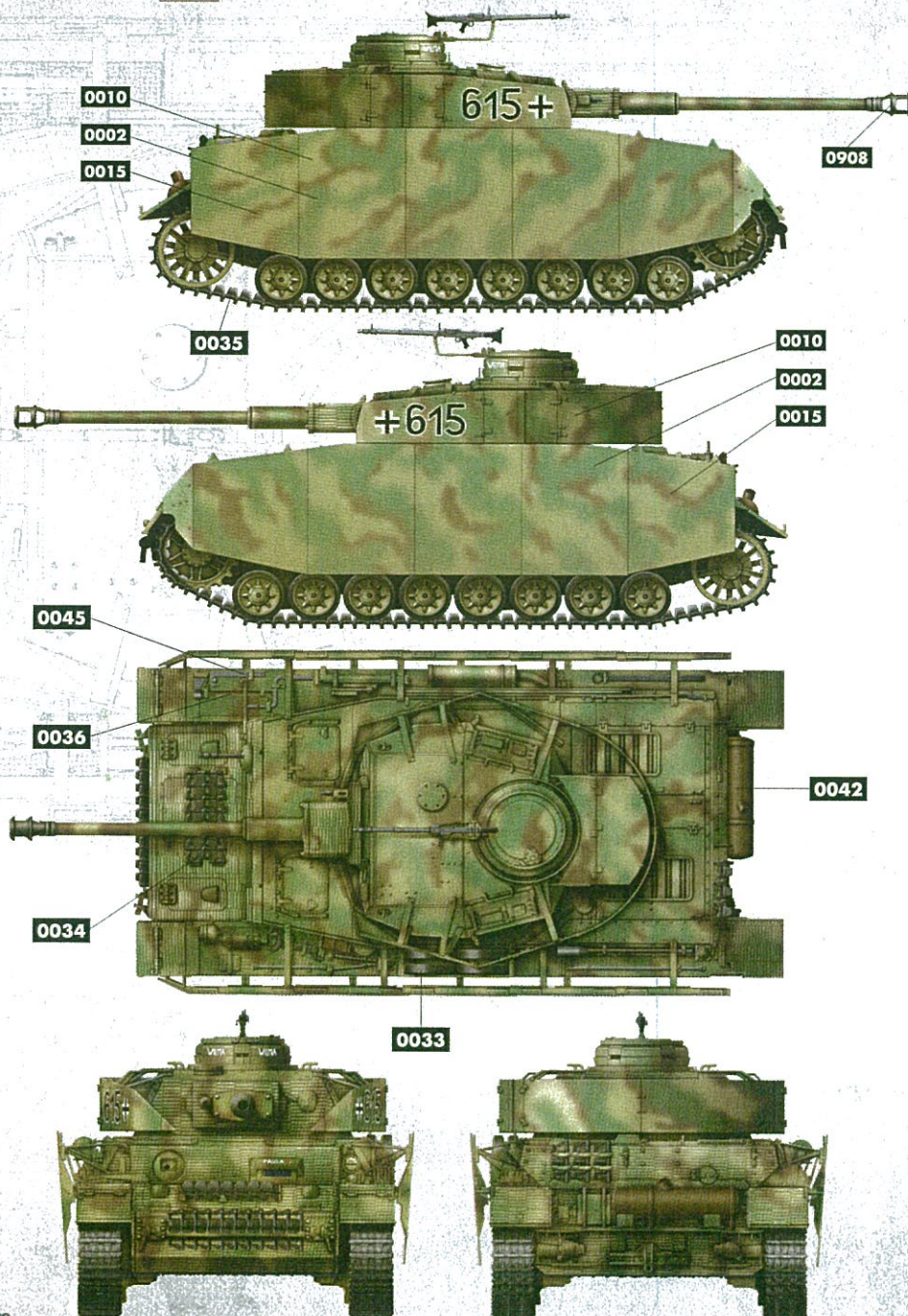
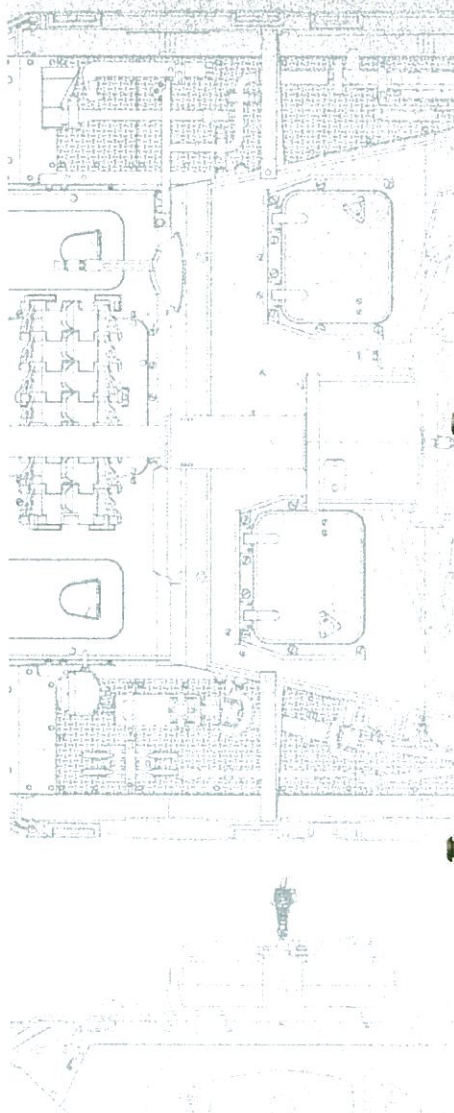
H Mid with side armour

PAINTING AND MARKING GUIDE

BORDER MODEL REF:

H Mid SS12. 12 Armored Reg. Normandy, Caen

 A.MIG-0035 Dark Tracks	 A.MIG-0034 Rust Tracks	 A.MIG-0033 Rubber & Tires	 A.MIG-0042 Old Rust
 A.MIG-0045 Gun Metal	 A.MIG-0010 RAL 7028 Dunkelgelb (Mid War)	 A.MIG-0002 RAL 6003 Olivgrün OPT.	 A.MIG-0015 RAL 8017 Skochobraun
 A.MIG-0036 Old Wood	 A.MIG-0908 Dunkelgrau Base		



WEATHERING STEPS WITH AMMO PRODUCTS










1 GENERAL WASH A.MIG-1008 Dark Wash	3 STREAKING A.MIG-1206 Dark Streaking Grime	5 RUST A.MIG-1204 Streaking Rust Effects	7 MUD A.MIG-1702 Turned Earth	9 FUEL A.MIG-1409 Fuel Stains
2 FILTER A.MIG-1510 Tan for 3 Tone Camo	4 TRACKS WASH A.MIG-1002 Tracks Wash	6 DUST A.MIG-3004 Europe Earth	8 SPLASHES A.MIG-1751 Dry Steppe	10 OIL A.MIG-1408 Fresh Engine Oil

PZ. IV Ausf. H

H Mid with side armour

PAINTING AND MARKING GUIDE

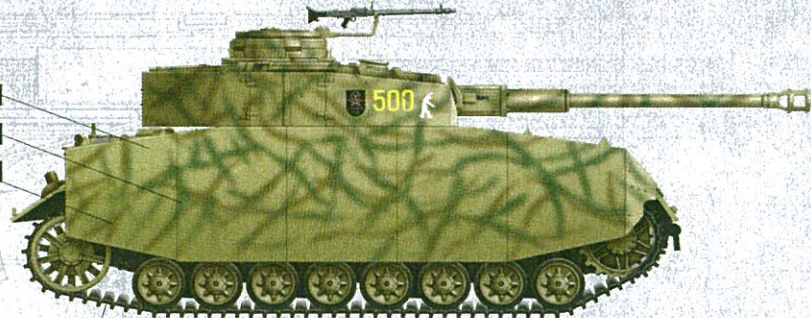
BORDER MODEL REF: H Mid with side armour

 A.MIG-0035 Dark Tracks	 A.MIG-0034 Rust Tracks	 A.MIG-0033 Rubber & Tires	 A.MIG-0042 Old Rust
 A.MIG-0045 Gun Metal	 A.MIG-0010 RAL 7029 Dunkelgelb (Mid War)	 A.MIG-0001 RAL 6003 Olivgrün OPT.1	 A.MIG-0015 RAL 8017 Skochobraun
 A.MIG-0037 New Wood			

0010

0001

0015

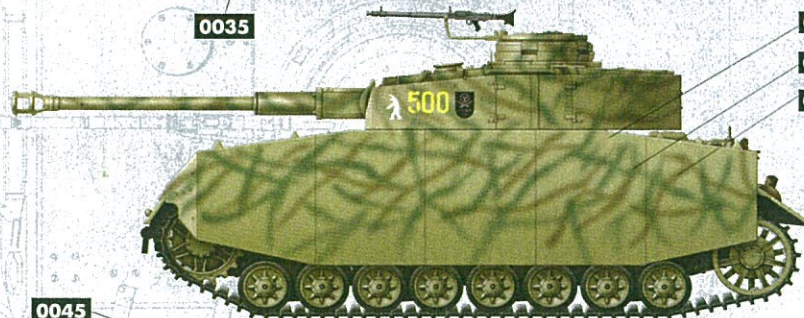


0035

0010

0001

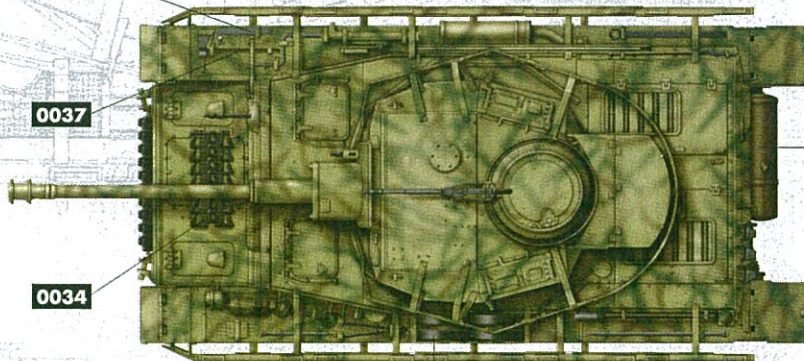
0015



0045

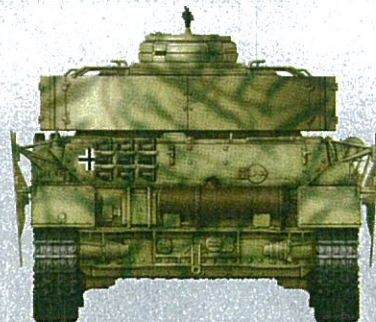
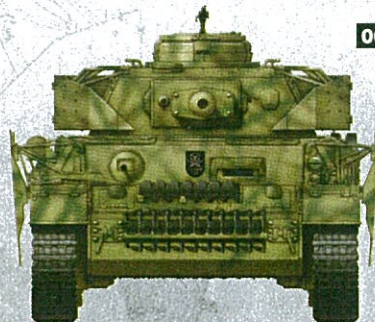
0037

0042



0034

0033



WEATHERING STEPS WITH AMMO PRODUCTS

1 GENERAL WASH A.MIG-1000 Brown Wash for Dark Yellow	3 STREAKING A.MIG-1203 Streaking Grime	5 RUST A.MIG-1254 Streakingbrusher Rust	7 MUD A.MIG-1704 Heavy Earth	9 FUEL A.MIG-1409 Fuel Stains
2 FILTER A.MIG-1511 Brown for Dark Yellow	4 TRACKS WASH A.MIG-1002 Tracks Wash	6 DUST A.MIG-3013 Rubble	8 SPLASHES A.MIG-1753 Turned Dirt	10 OIL A.MIG-1408 Fresh Engine Oil

PZ Kpfw IV Ausf H Early/Mid

