

Border

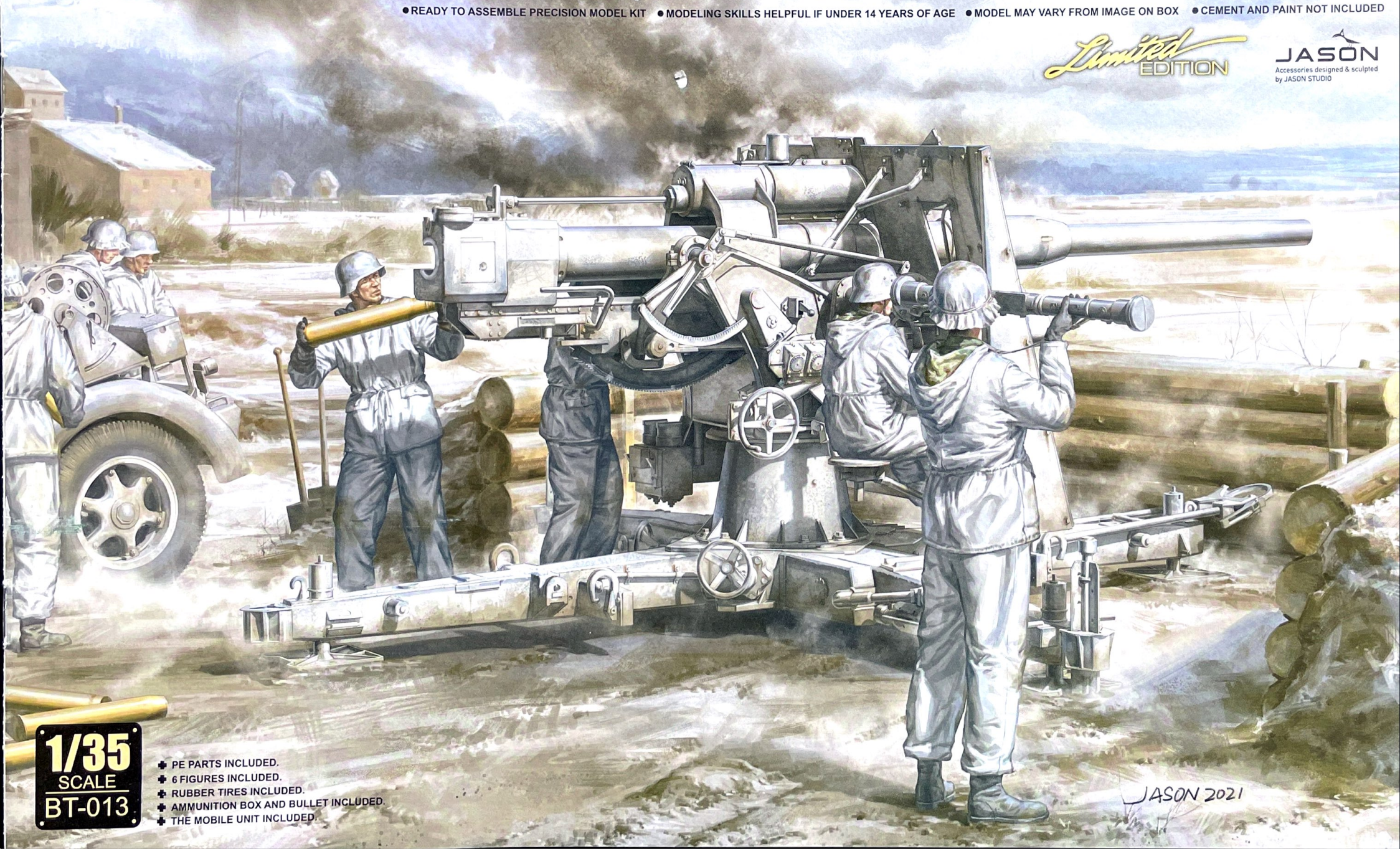
German 88mm Gun Flak36

w/6 anti-aircraft artillery crew members 德国88MM高射炮 FLAK 36 以及炮兵组 ドイツ軍砲Flak36 w/対空砲兵6名(冬季装備)

● READY TO ASSEMBLE PRECISION MODEL KIT ● MODELING SKILLS HELPFUL IF UNDER 14 YEARS OF AGE ● MODEL MAY VARY FROM IMAGE ON BOX ● CEMENT AND PAINT NOT INCLUDED

Limited
EDITION

JASON
Accessories designed & sculpted
by JASON STUDIO



1/35
SCALE
BT-013

- ◆ PE PARTS INCLUDED.
- ◆ 6 FIGURES INCLUDED.
- ◆ RUBBER TIRES INCLUDED.
- ◆ AMMUNITION BOX AND BULLET INCLUDED.
- ◆ THE MOBILE UNIT INCLUDED.

JASON 2021

History | 历史介绍

The 88mm gun was not known only for its anti-aircraft performance in World War II, but it shone due to its versatility, especially its anti-tank capability. Because of its forward-thinking design, it did not lag behind until the end of the war. It is generally recognized that the 88 gun was the most powerful artillery in WWII.

The first recorded use of the 88mm anti-aircraft gun on ground targets was by the Condor Group in the Spanish Civil War, and the first time the gun began to establish a widely known reputation as an anti-armor gun was during the yellow campaign of the German invasion of France at the beginning of World War II, and Rommel is one of the commanders mentioned in numerous documents and records as having used it in this way.

In May 1940, Rommel's 7th Tank Division was advancing from Belgium to Dunkirk, France, when it encountered a counterattack by a group of British heavy tanks, against which the German 3.7 cm PaK 36 anti-tank guns were helpless. In the nick of time, a German anti-aircraft company lowered its 88mm guns and fired back at the British tanks. Nine British tanks were instantly destroyed by the German anti-aircraft guns and had to retreat immediately. This battle impressed Rommel with the power of the 88mm anti-aircraft guns.

When Germany launched the Barbarossa campaign, facing the Soviet KV-1 and T-34 tanks, the army's main 3.7 cm PaK 36 anti-tank gun could barely penetrate their armor from the front, and the 88 mm gun was timely to fill the window of German anti-armor fire during this period, and also led to the development of improved models specifically designed to deal with tanks later in the war.

When the Allies launched Operation Torch in North Africa in 1942, Rommel used the 88mm anti-aircraft gun against the Allied tanks, and its tremendous penetrating power allowed it to easily destroy Allied tanks and armored vehicles, much suffering. Although the Allies eventually succeeded in expelling the Germans from North Africa, this was mainly due to the cutting of German supply lines.

88毫米炮在二战中并不是只因为它的防空性能而闻名，而是由于它的多用途性，尤其是反坦克能力而大放异彩。由于设计思想超前，直到战争结束也并不显落后。一般公认，88炮是二次大战中的最强火炮。

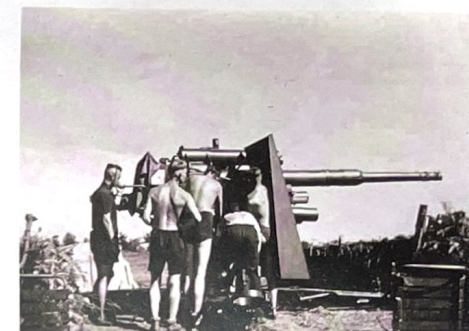
88毫米防空炮有纪录的第一次被使用在地面目标上是参加西班牙内战的秃鹰集团军，第一次让这门炮开始建立起广为后人所知的反装甲名声是在二次世界大战初期德国入侵法国的黄色作战当中，隆美尔是其中一位在诸多文献与纪录当中被提及如此使用的指挥官之一。

1940年5月，隆美尔指挥的第7坦克师从比利时向法国的敦克尔克挺进，中途遭遇到了英军一批重型坦克的反击，面对英军的坦克，德军的3.7 cm PaK 36反坦克炮对其束手无策。在千钧一发之时，一个德军高炮连压低了88毫米防空炮的炮口，对准的英军的坦克，展开了猛烈的还击。英军的9辆坦克被德军的高炮瞬间击毁，不得不立即撤退。此役，88毫米防空炮的威力给了隆美尔很深的印象。

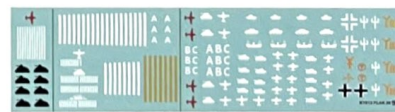
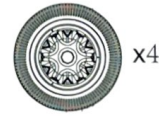
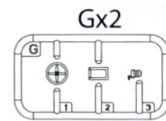
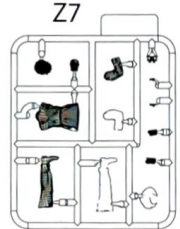
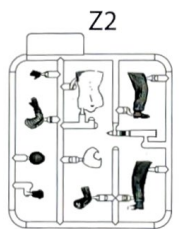
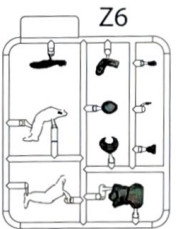
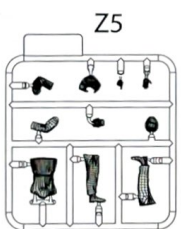
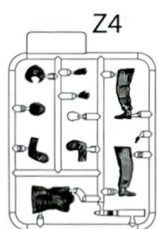
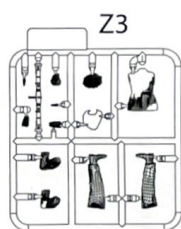
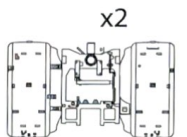
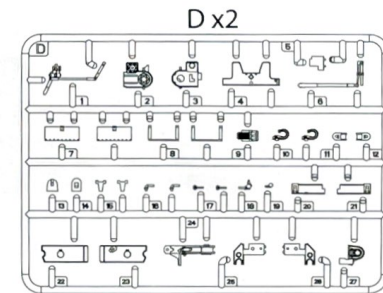
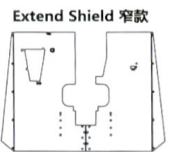
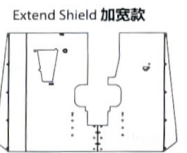
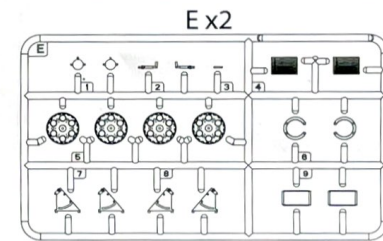
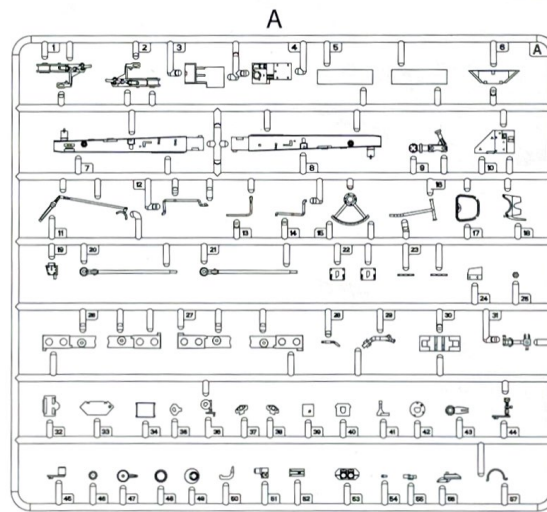
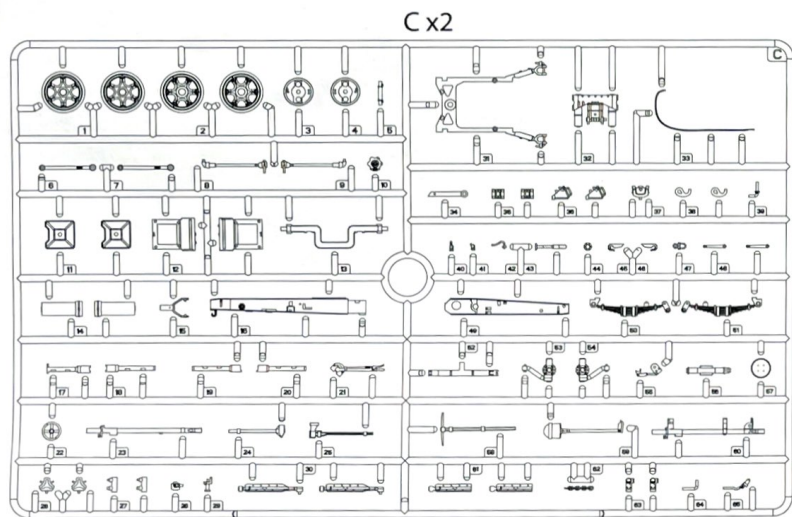
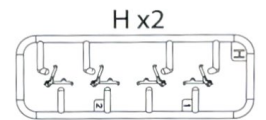
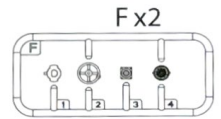
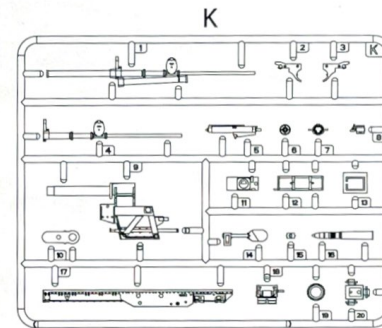
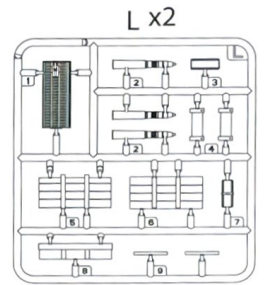
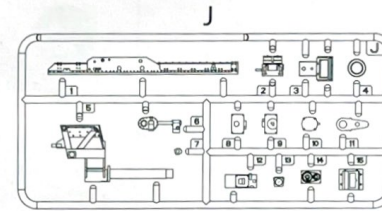
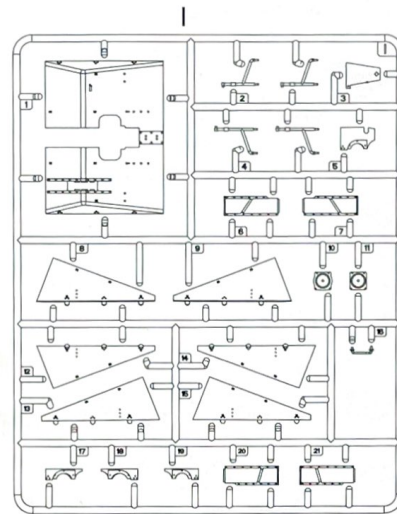
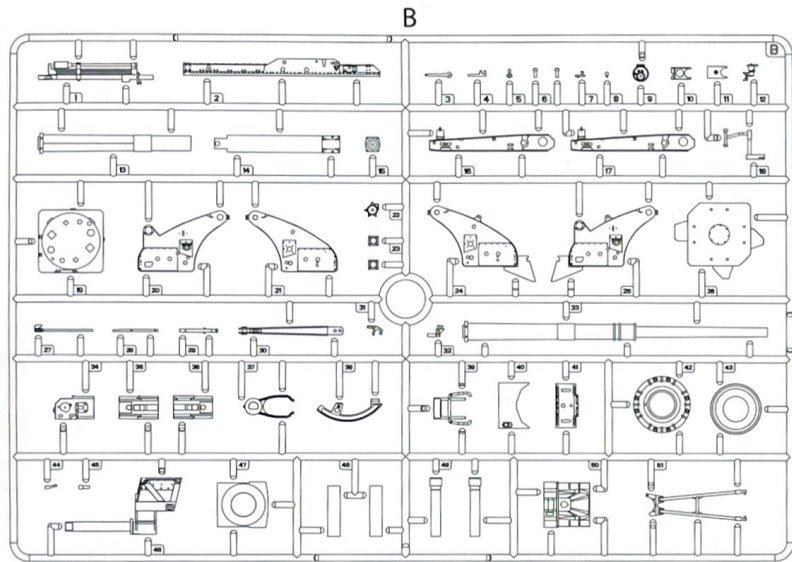
当德国展开巴巴罗萨作战之后，面对苏联的KV-1与T-34等坦克时，当时陆军主力3.7 cm PaK 36反坦克炮几乎无法从正面贯穿他们的装甲，88毫米炮适时填补这一段时期德军反装甲炮火的空窗期，也带动大战后期专门用来对付坦克的改良型号发展。

当1942年盟军在北非展开火炬行动，隆美尔使用88毫米防空炮来对付盟军坦克，它威力巨大的穿透力使其能轻易击毁盟军的坦克以及装甲车辆，即使是令德军非常头痛的玛蒂达 II步兵坦克的正面装甲都可以轻易贯穿，在1500米内一发炮弹即可击杀美国的M4雪曼坦克，让盟军吃到许多苦头。虽然最终盟军成功的将德军驱逐出了北非，但是这应主要归功于对德军补给线的切断。

通过一系列的实战，双方都对88毫米炮这种武器重新进行审视。盟军针对88毫米反坦克炮的威力，对坦克的装甲进行了加强，并在坦克前装甲上堆放沙包，以尽量减小88毫米炮造成的损害（不过实战来看，效果不大）。德军方面，在设计新型坦克的时候也注意到了88毫米炮的威力，比如后期生产的虎式坦克就使用了88毫米口径的主炮，虽然与前面提到的88毫米炮并不完全一样，但是也有很多的相似之处。



部品圖 Parts



DECAL

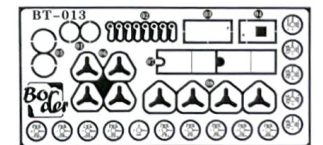
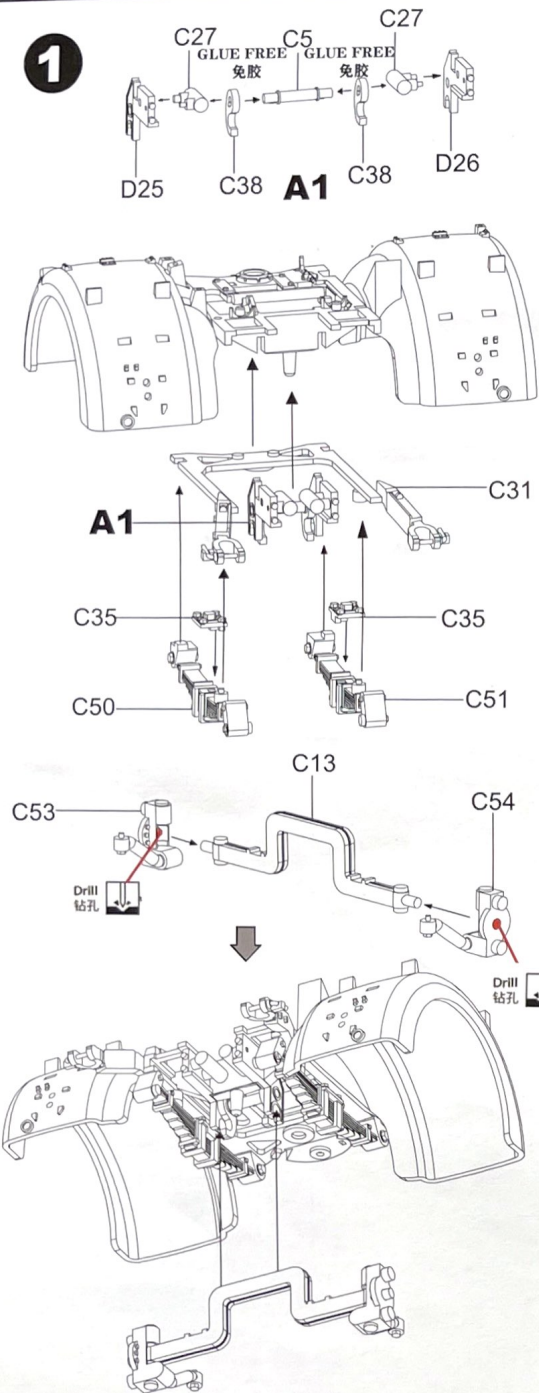
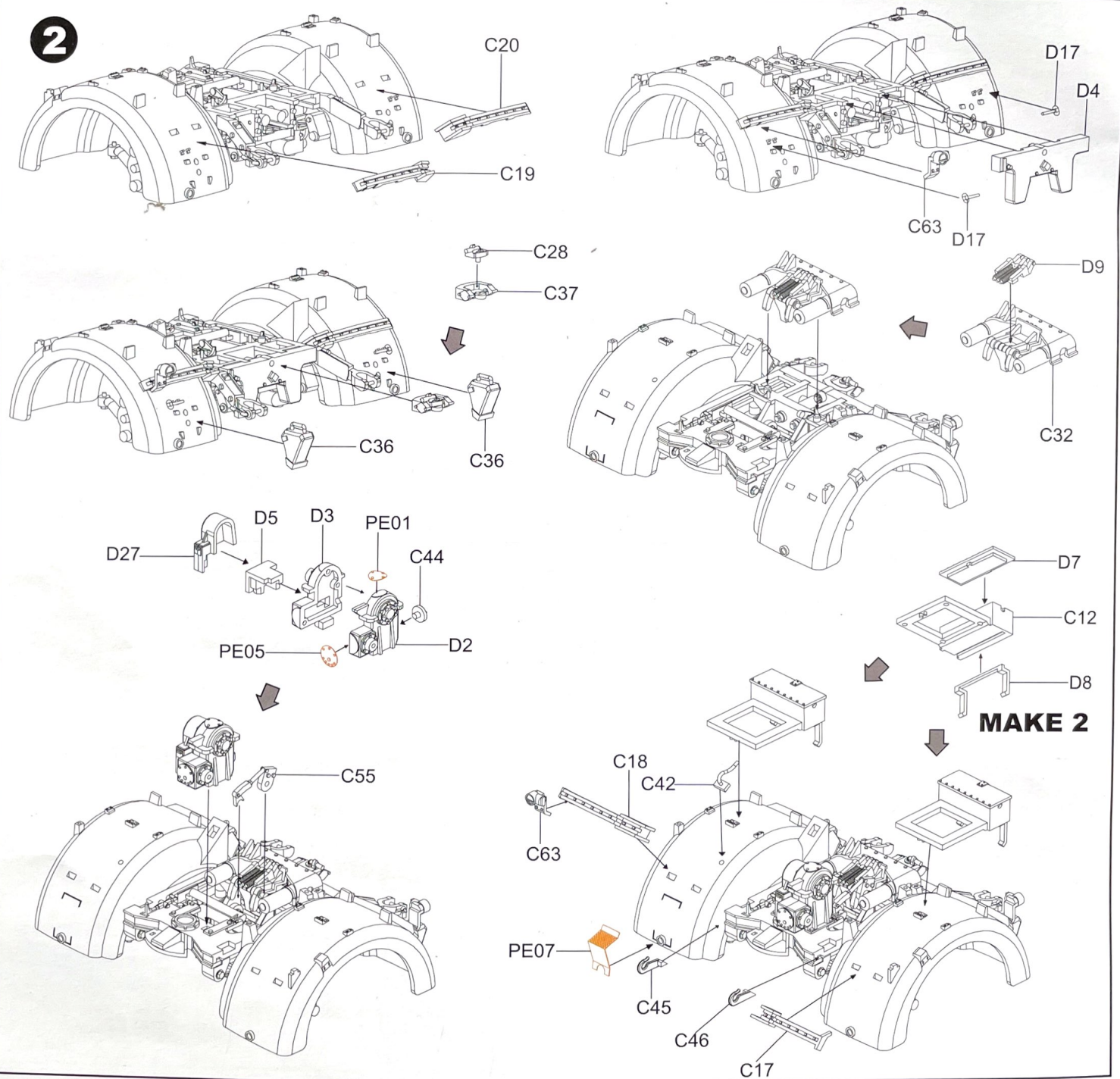


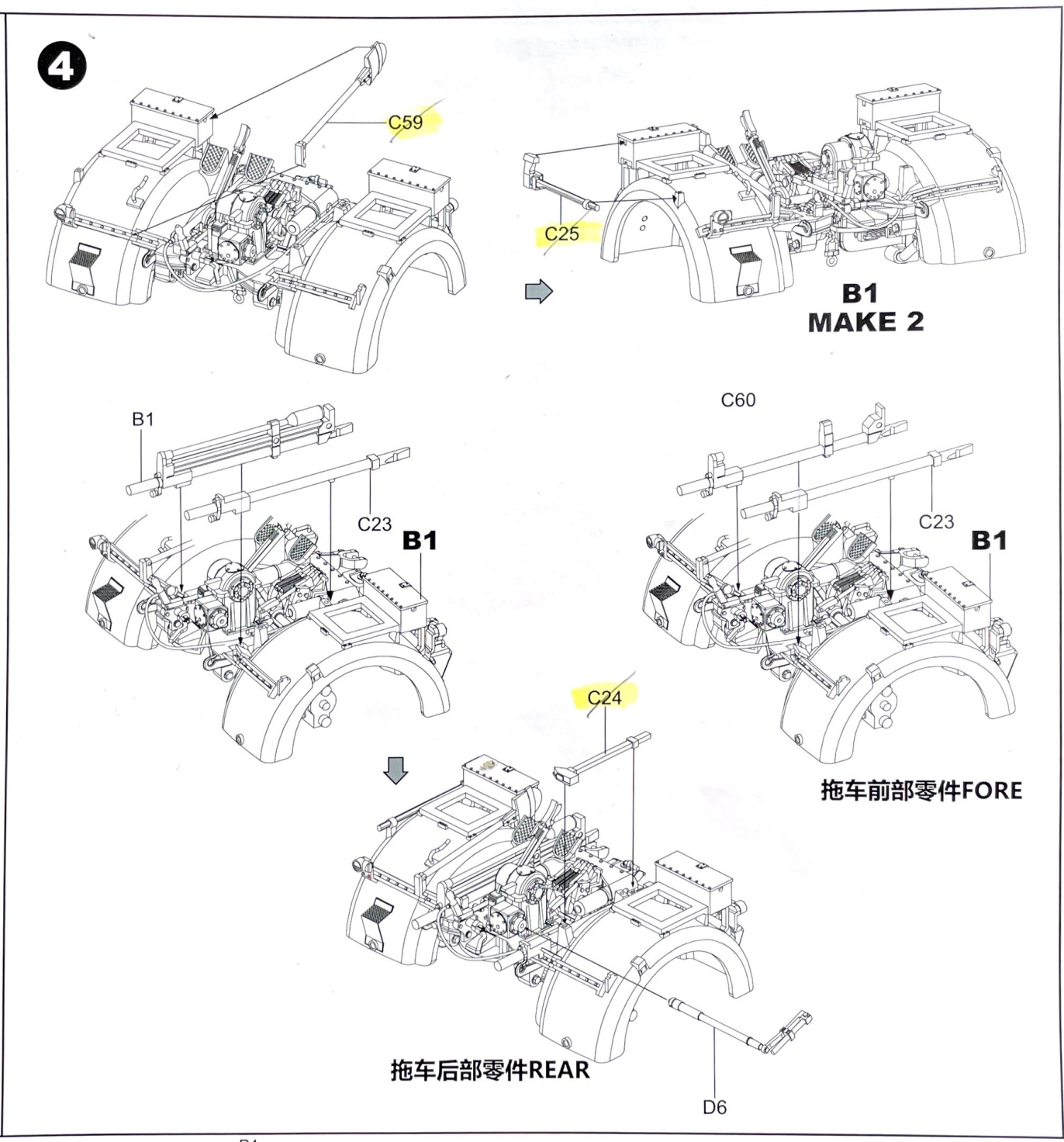
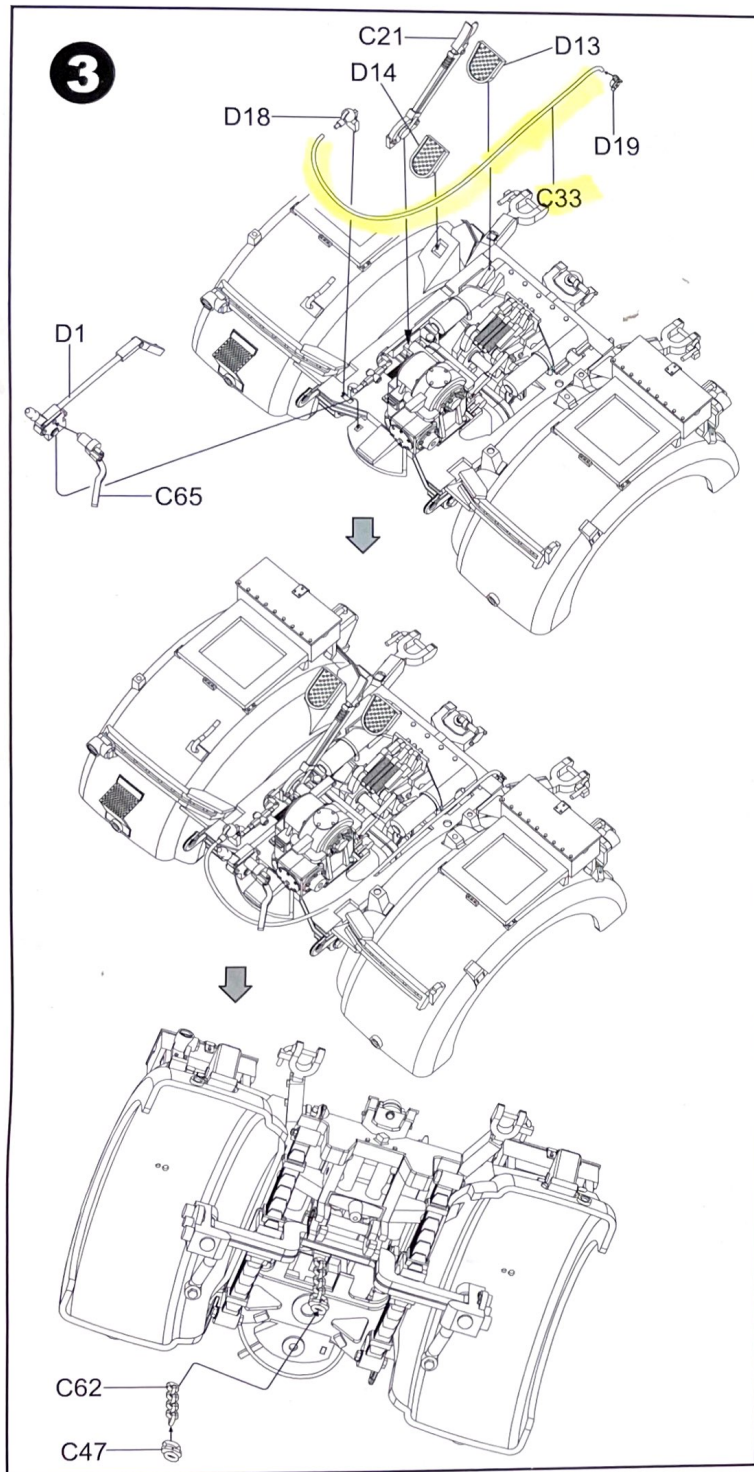
PHOTO EACH

1



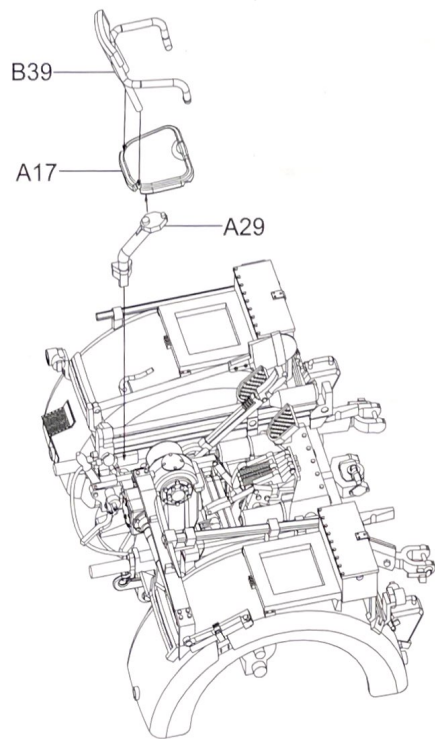
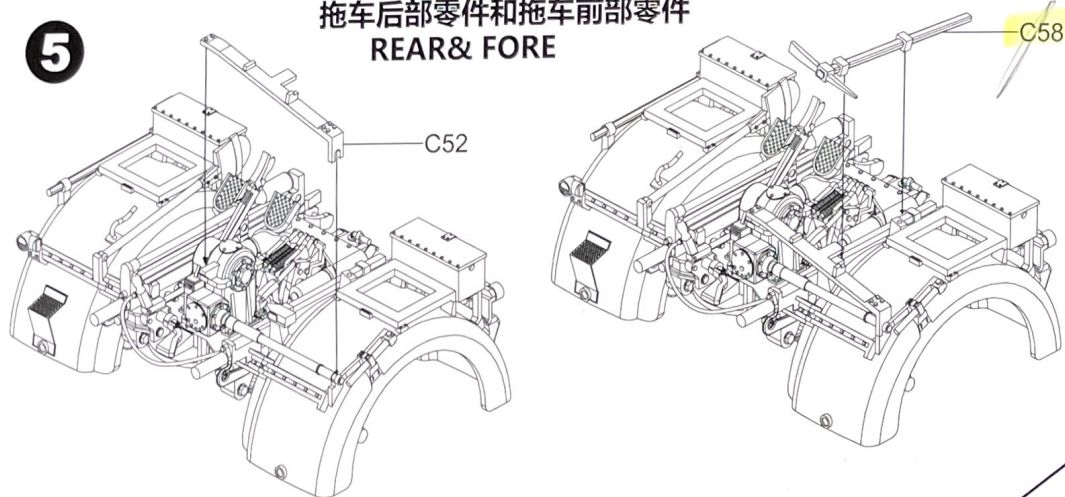
2



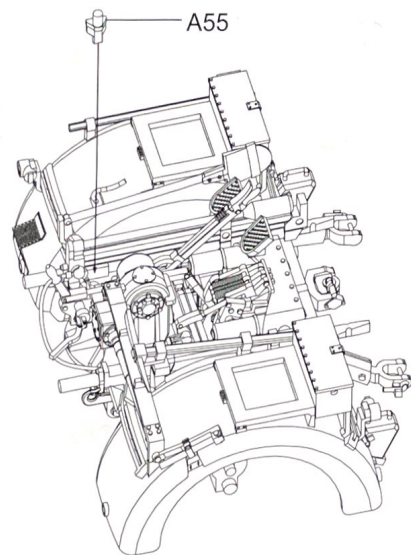


5

拖车后部零件和拖车前部零件
REAR& FORE

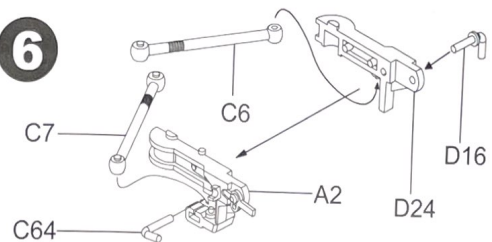


拖车后部零件FORE

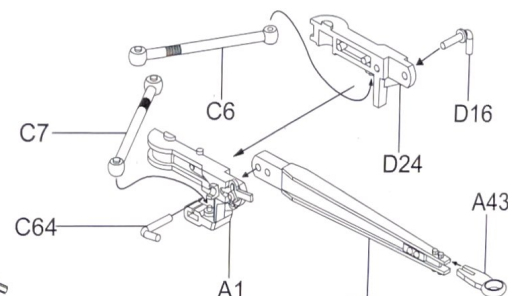
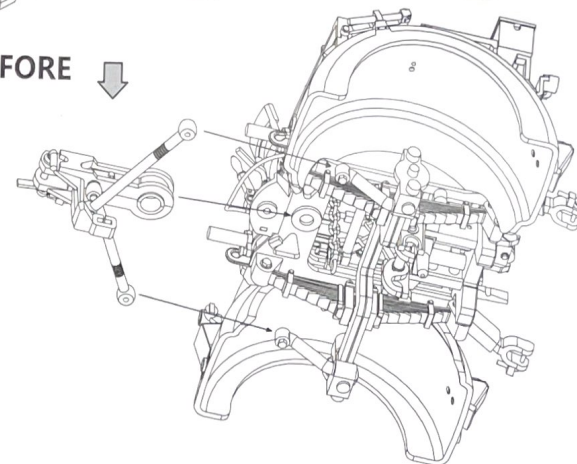


拖车前部零件REAR

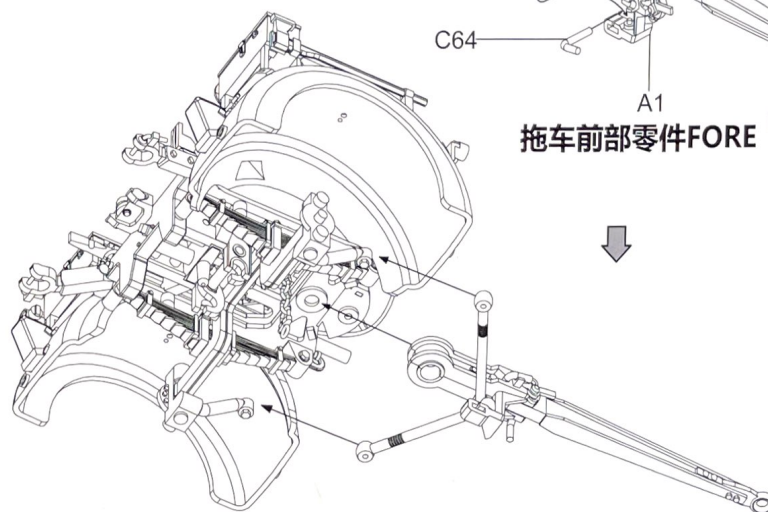
6



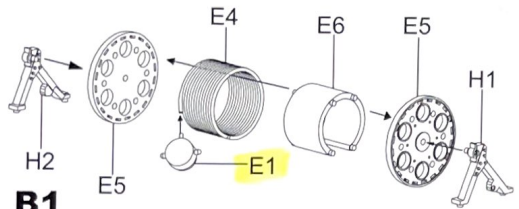
拖车后部零件FORE



拖车前部零件FORE

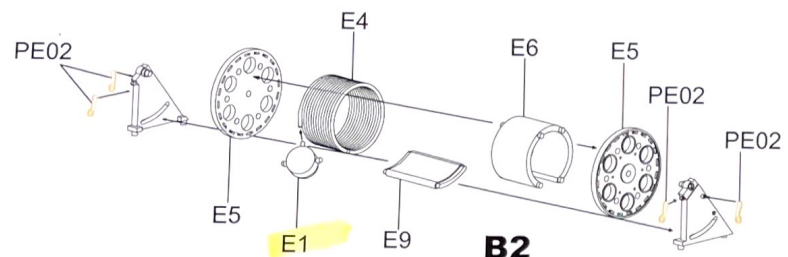


7

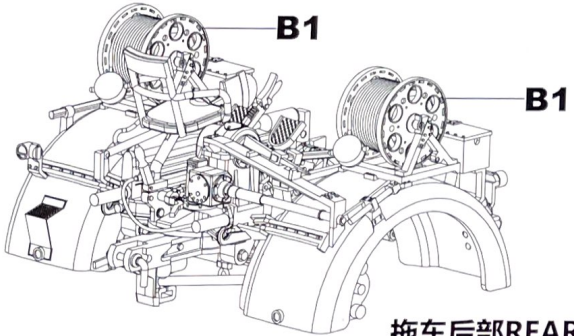


**B1
MAKE 4**

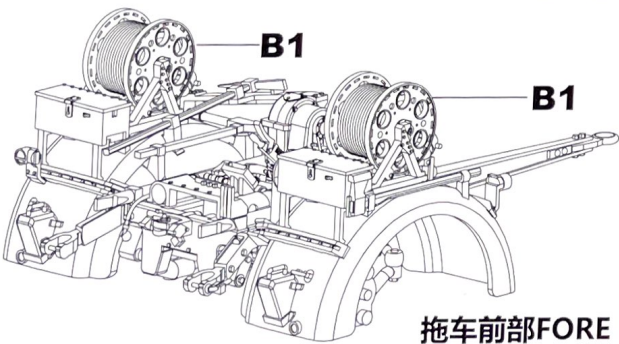
?



**B2
MAKE 4**

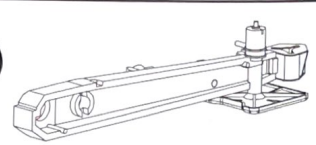


拖车后部REAR

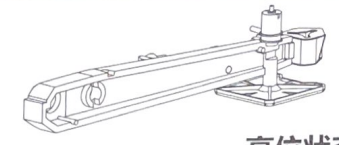


拖车前部FORE

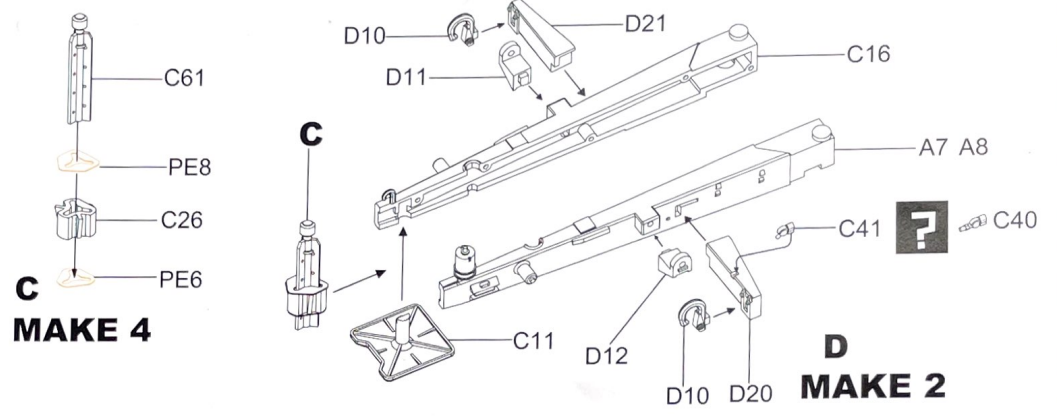
8



旋转180度安装到低位状态
Rotate 180 degrees to install in the low position



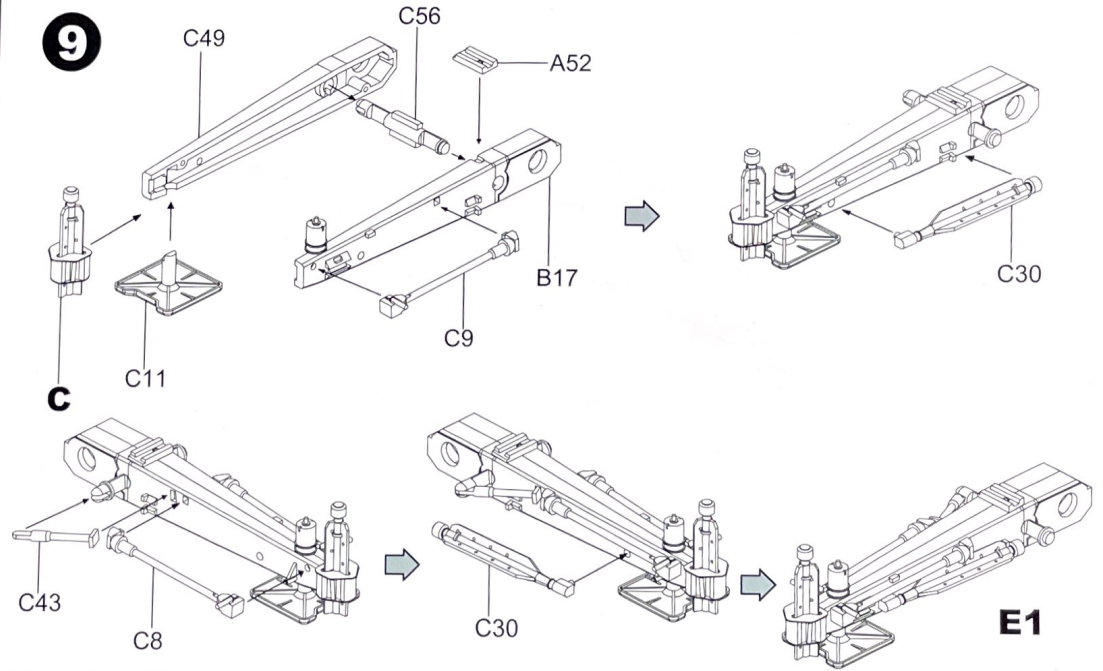
高位状态
HIGH position



**C
MAKE 4**

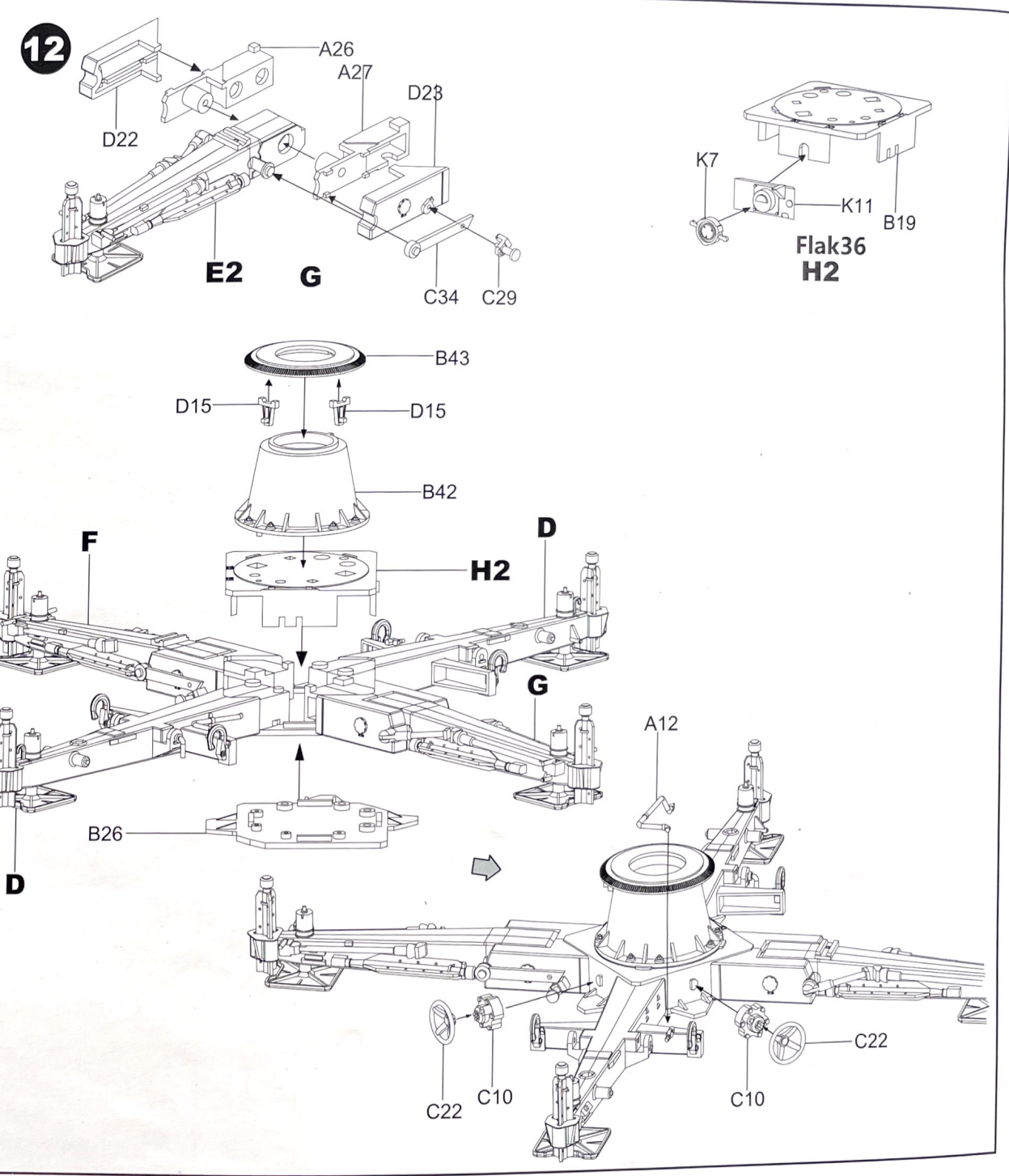
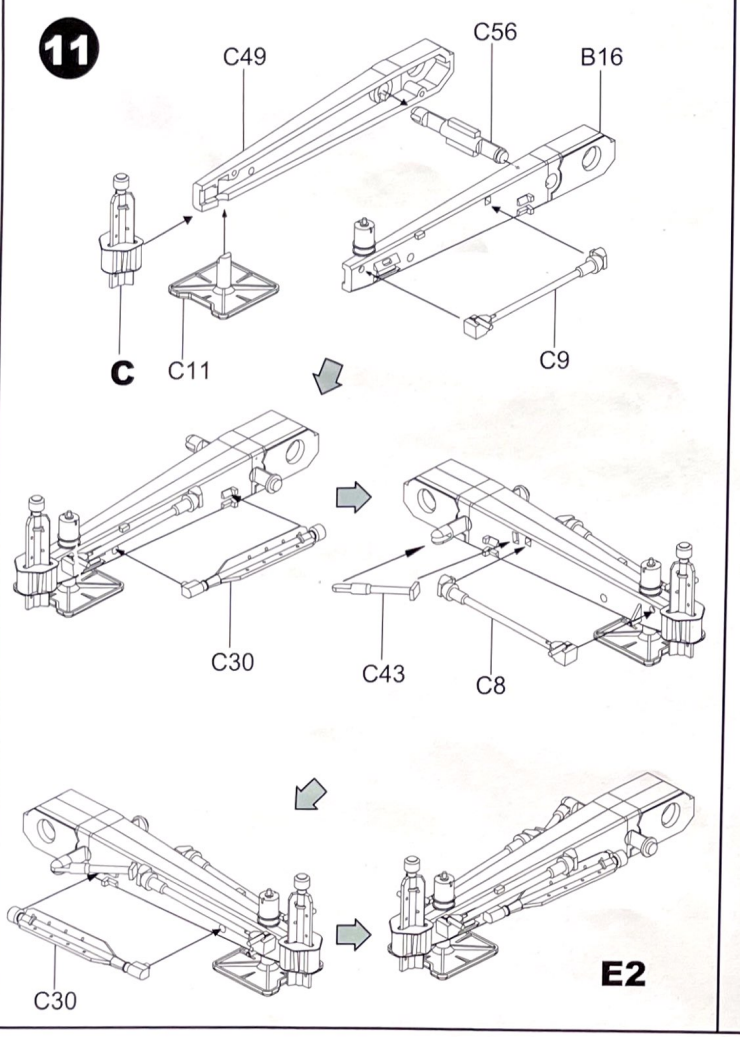
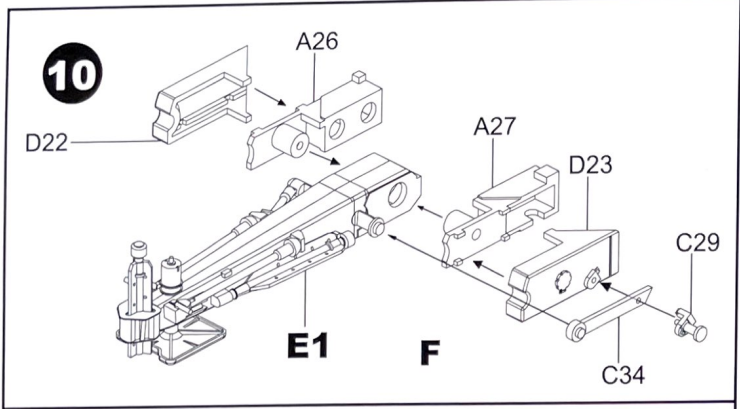
**D
MAKE 2**

9

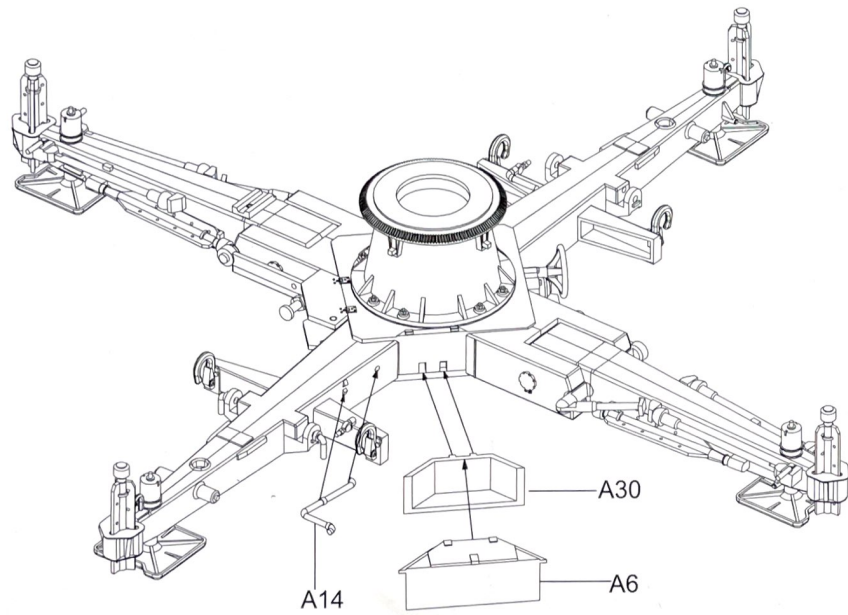
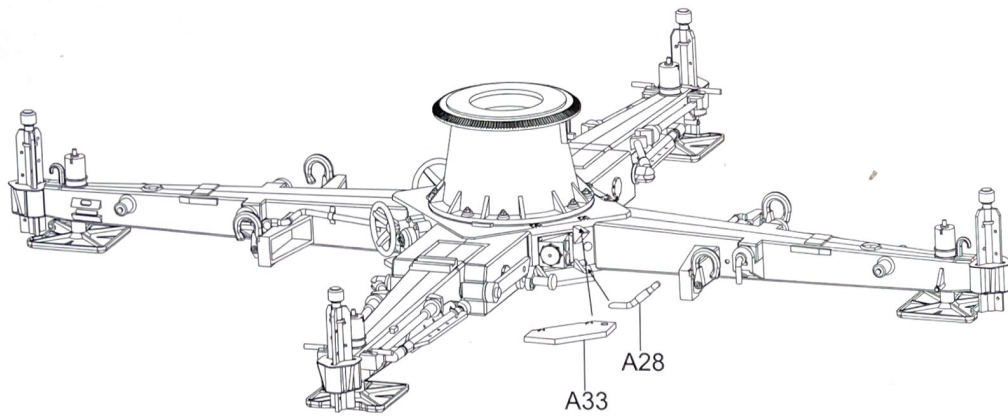


C

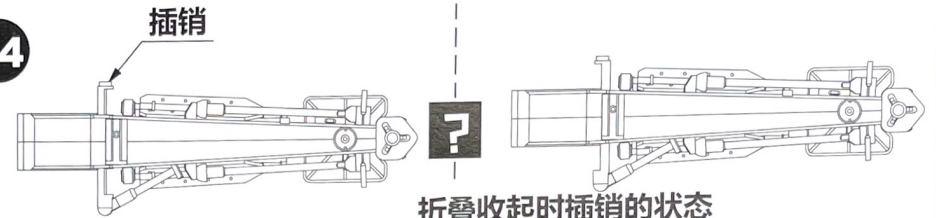
E1



13

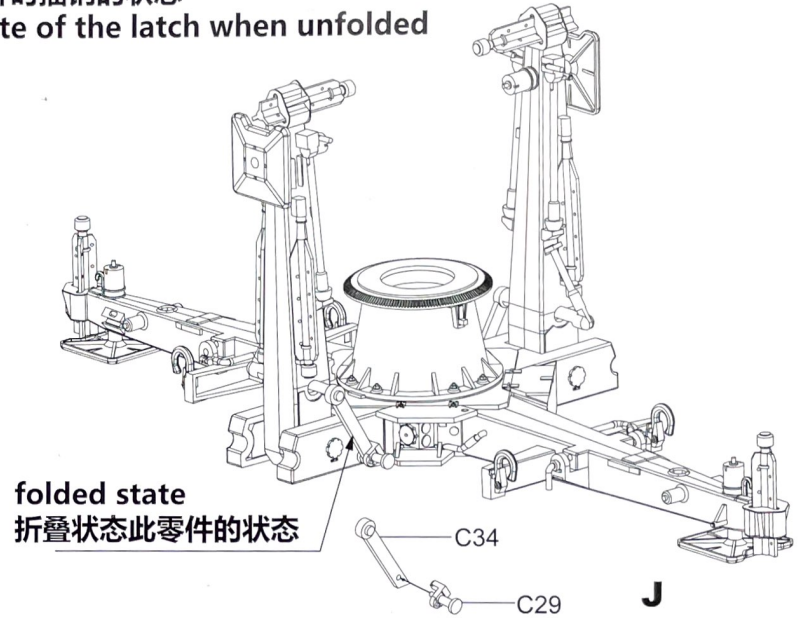


14



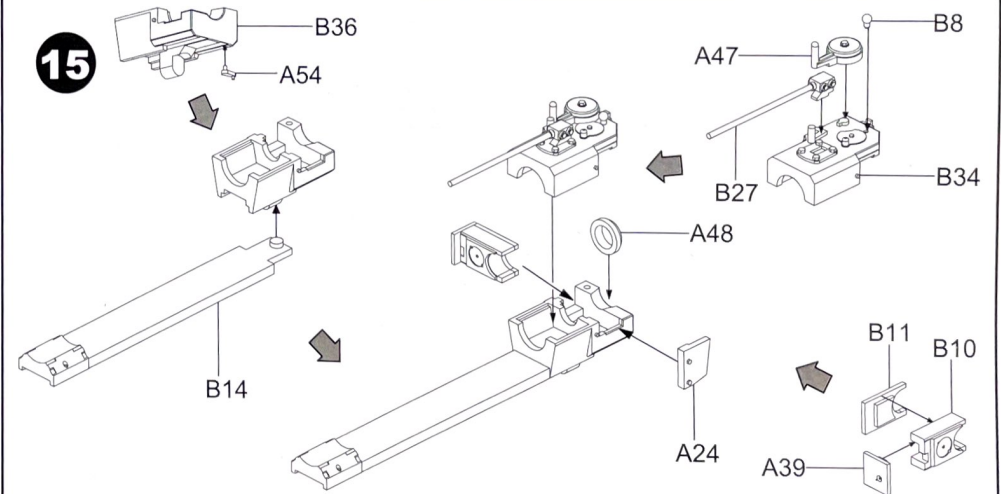
展开时插销的状态
State of the latch when unfolded

折叠收起时插销的状态
The state of the latch when folded

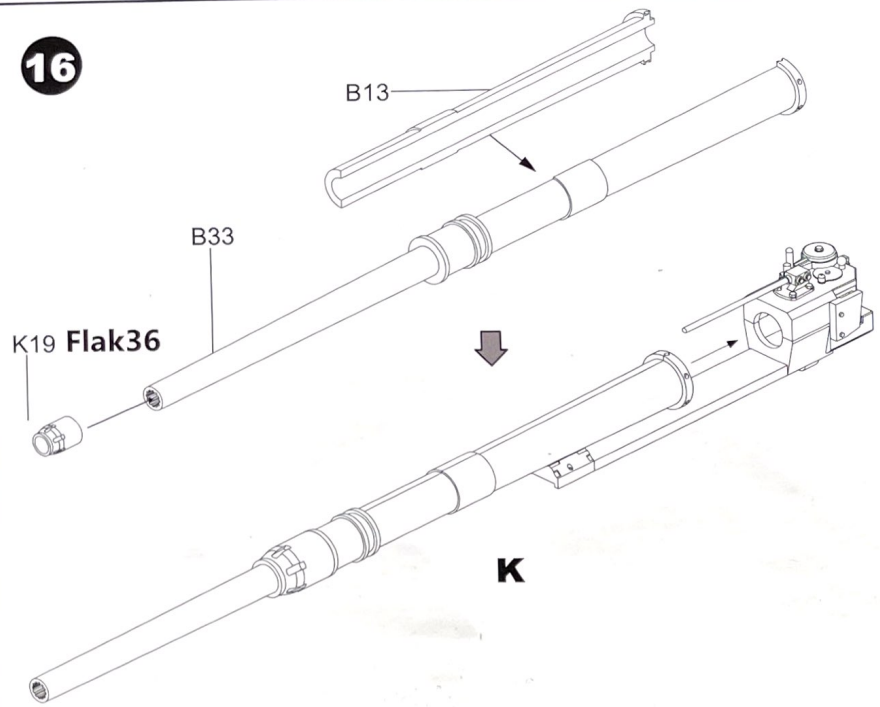


folded state
折叠状态此零件的状态

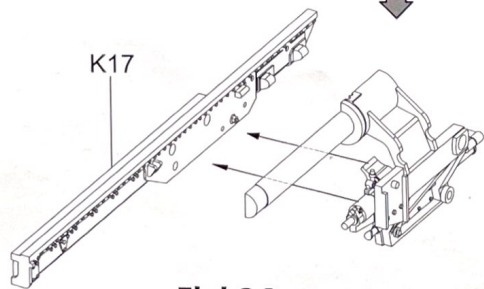
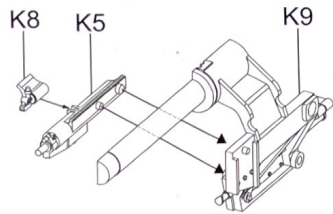
15



16

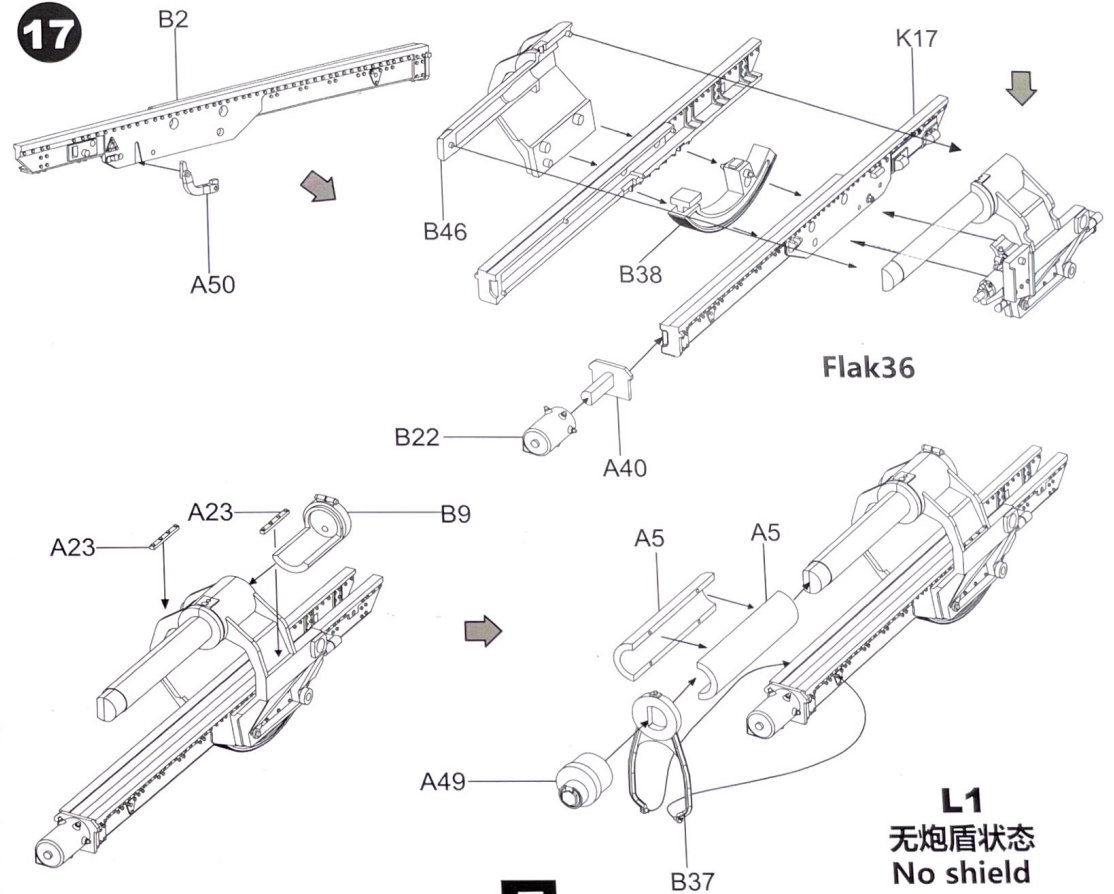


K



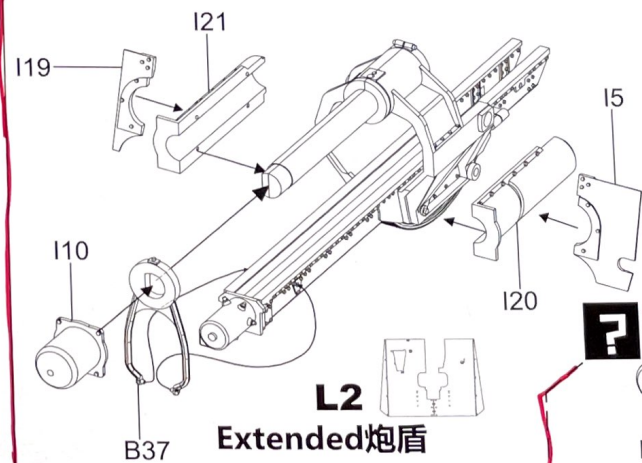
Flak36

17

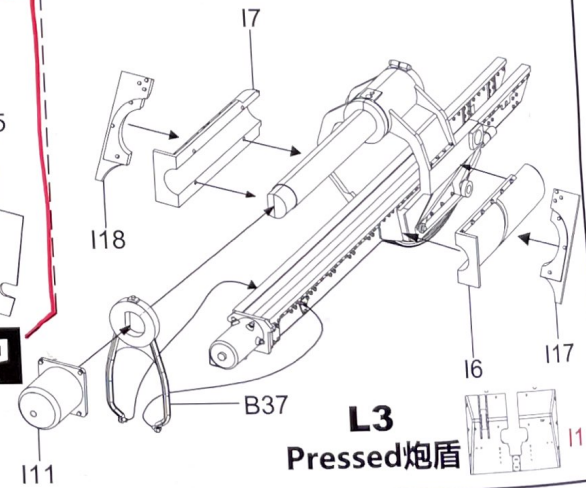


Flak36

L1
无炮盾状态
No shield



L2
Extended炮盾



L3
Pressed炮盾

18

L1

K

K2(K3)
切掉多余的定位点

?

?

M1

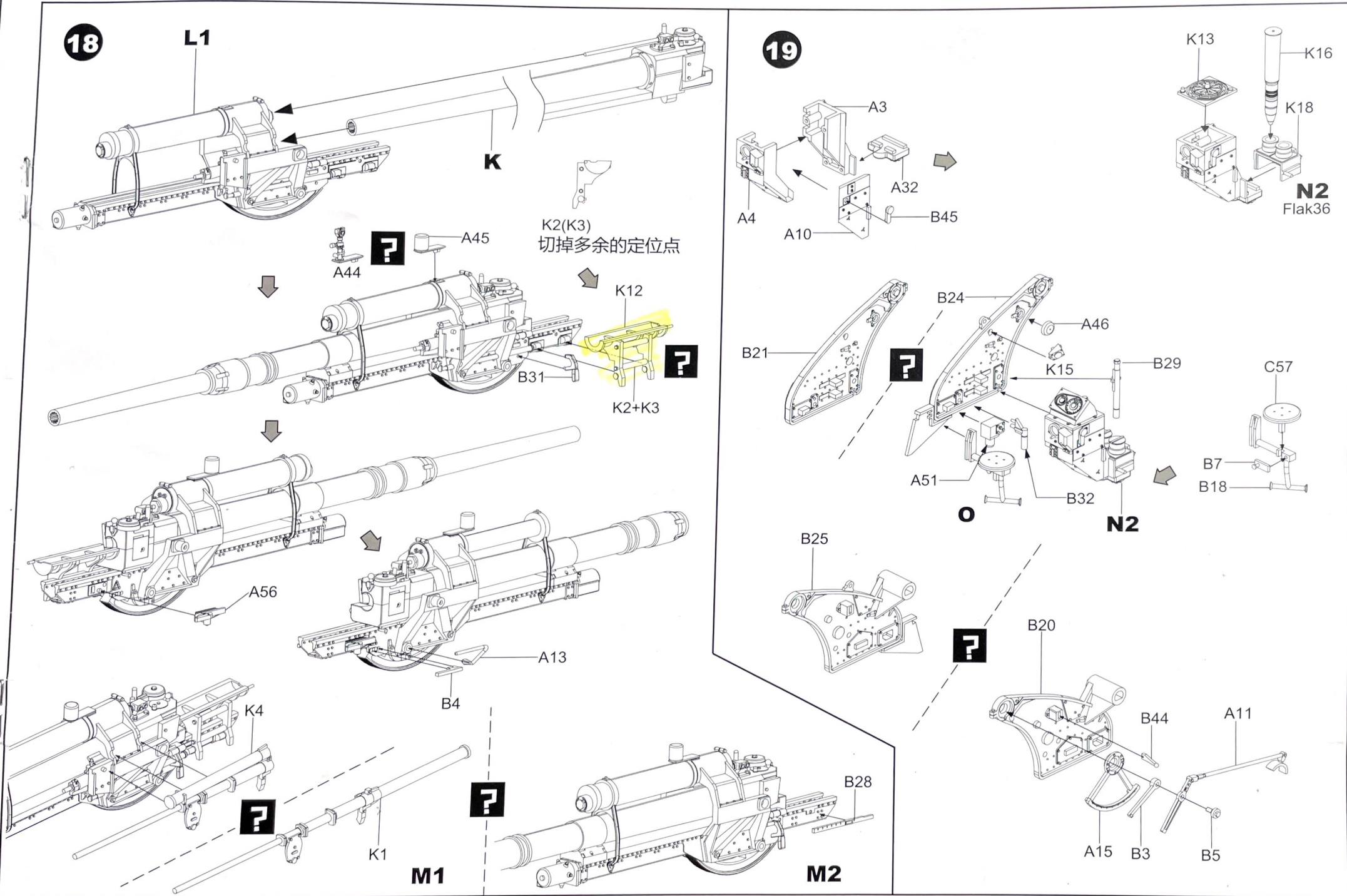
M2

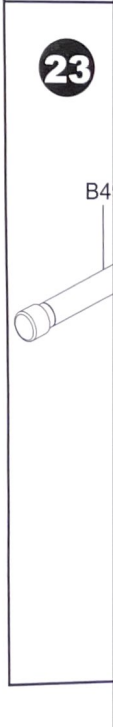
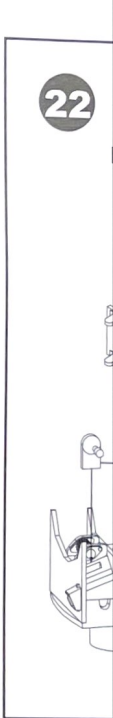
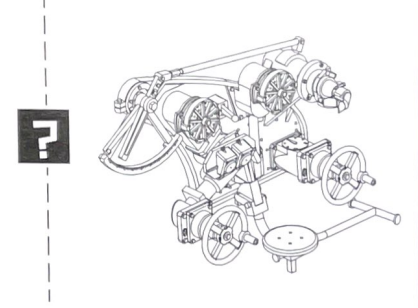
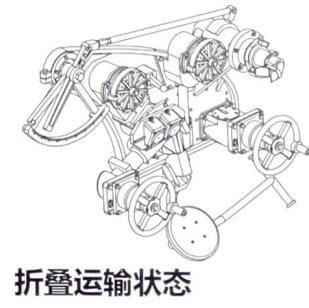
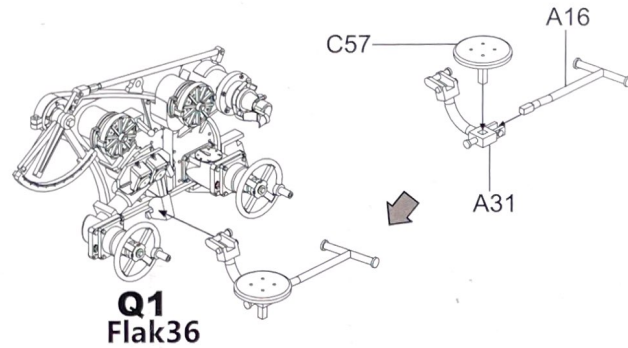
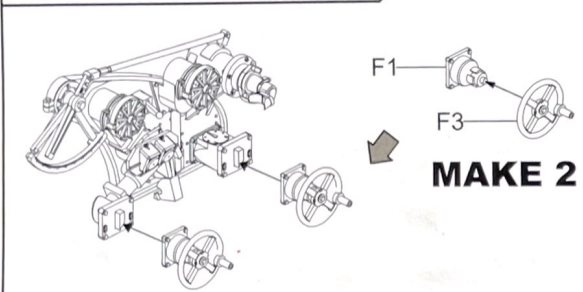
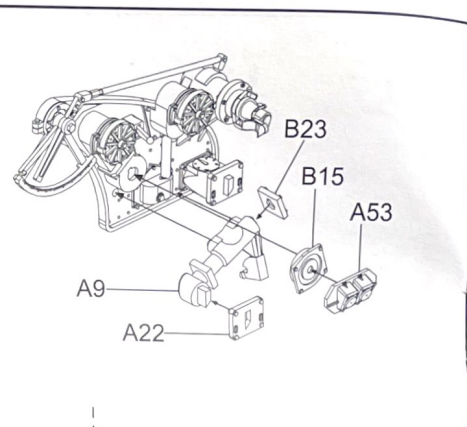
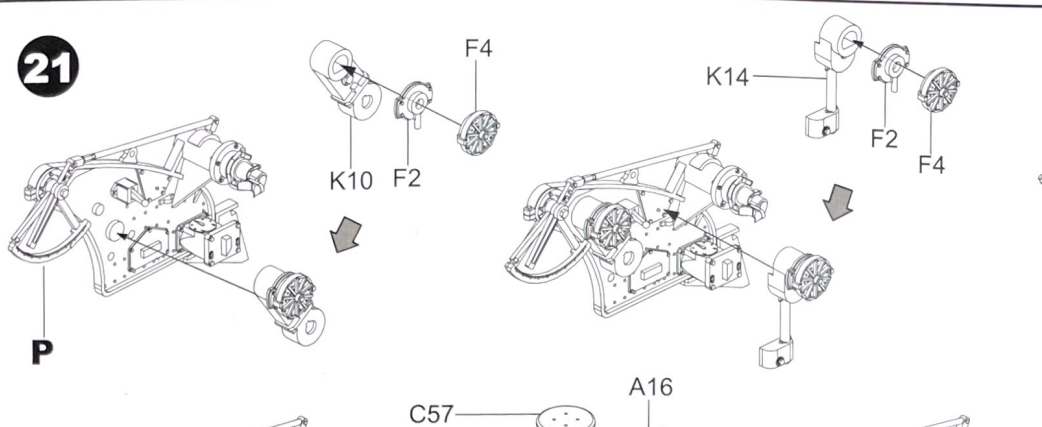
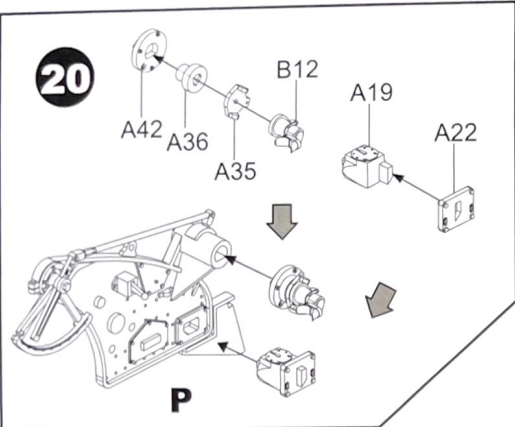
19

N2
Flak36

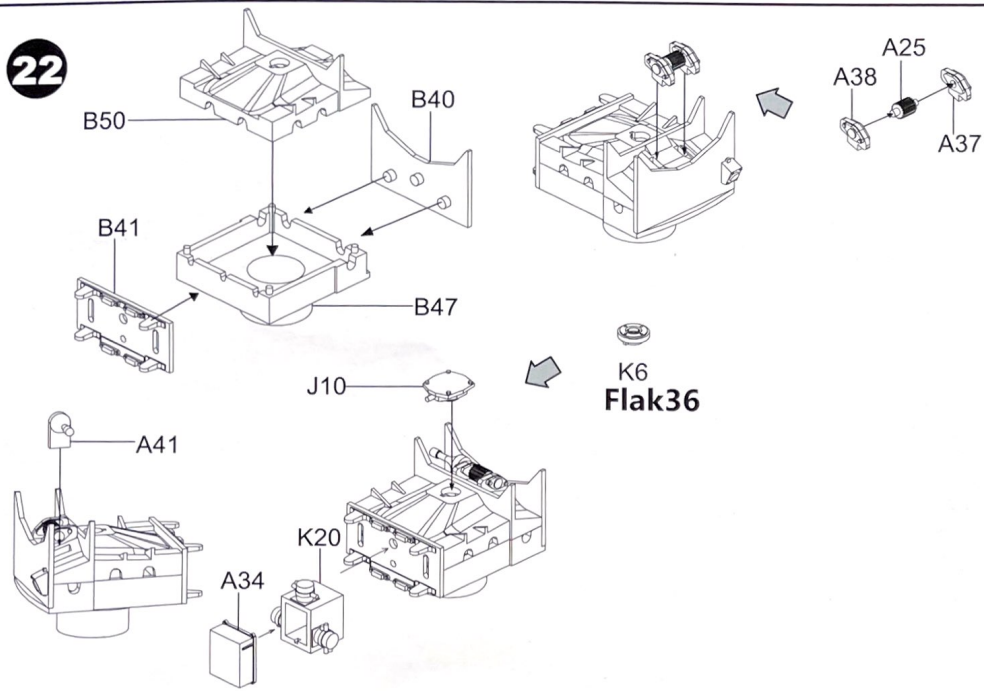
O

?



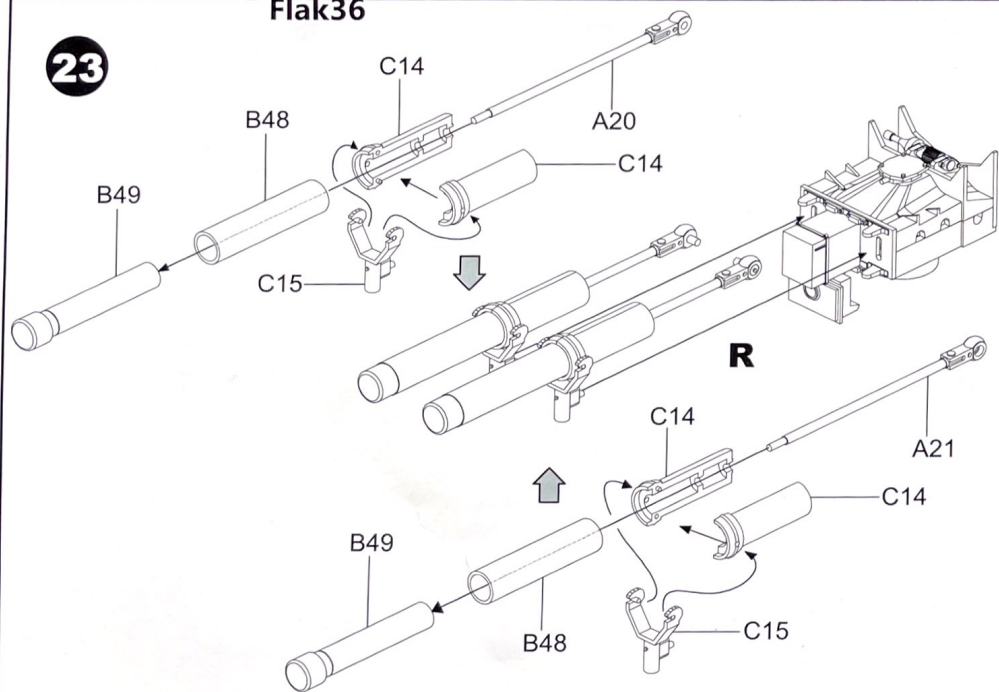


22

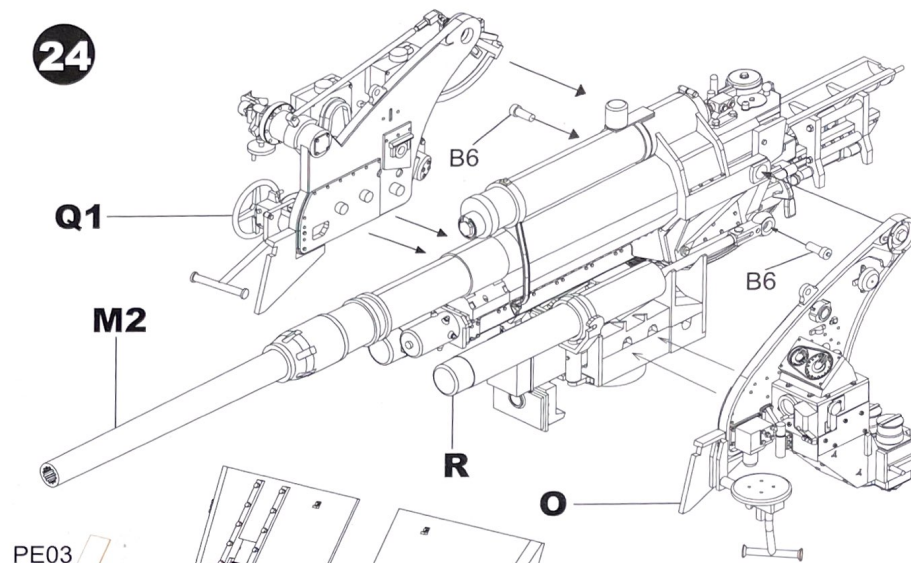


Flak36

23

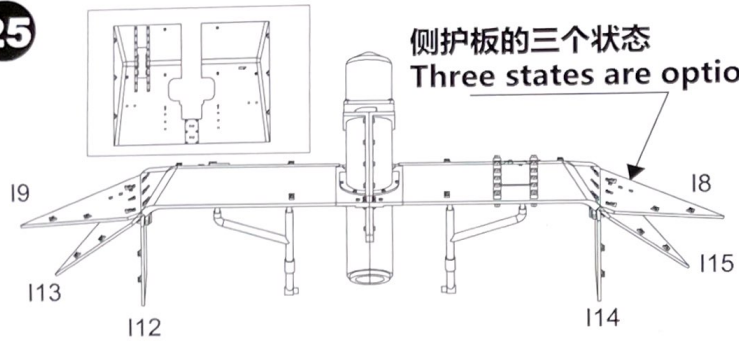


24

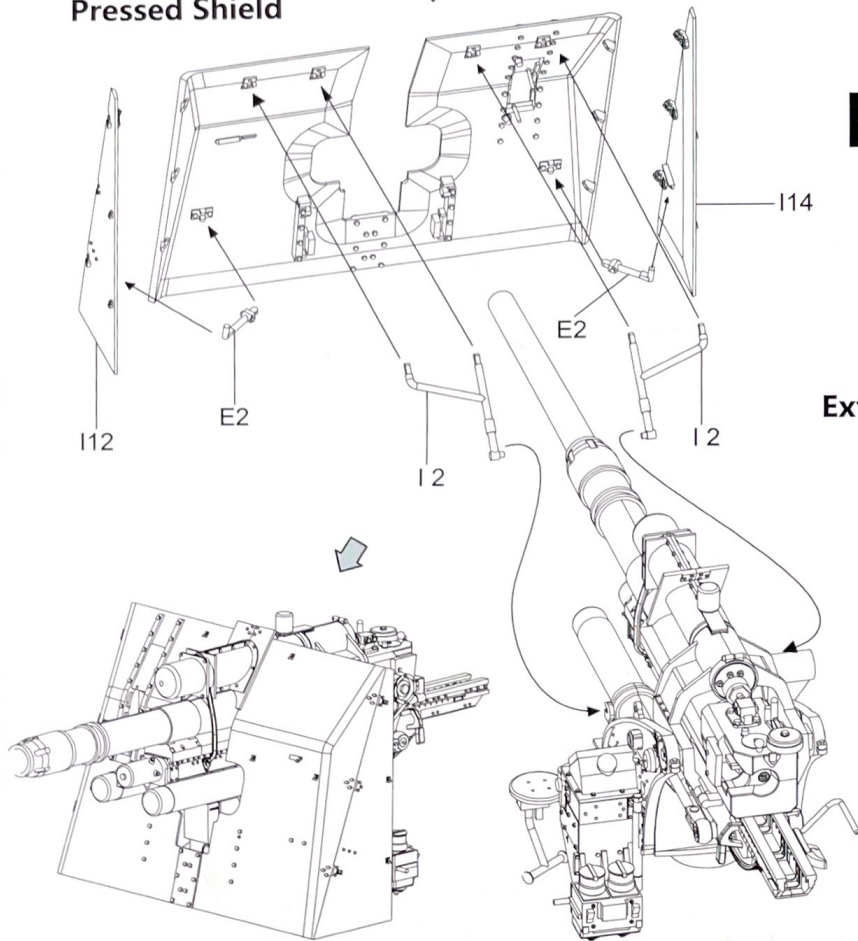


25

侧护板的三个状态
Three states are optional

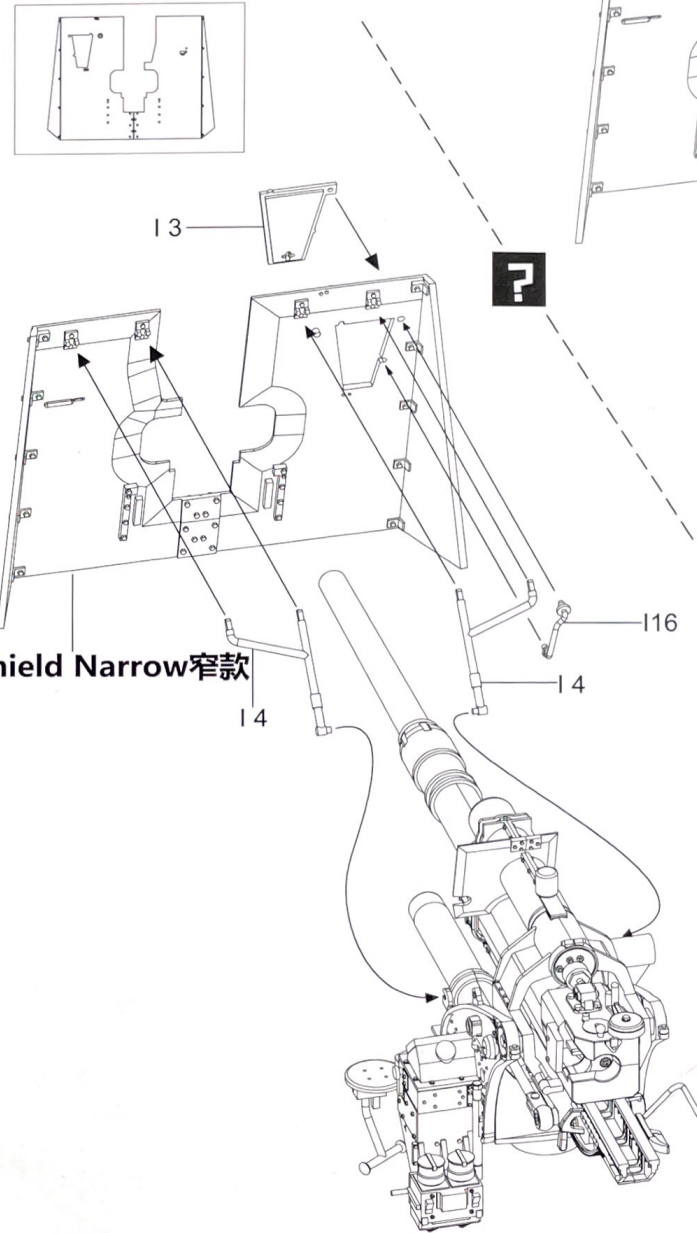


Pressed Shield



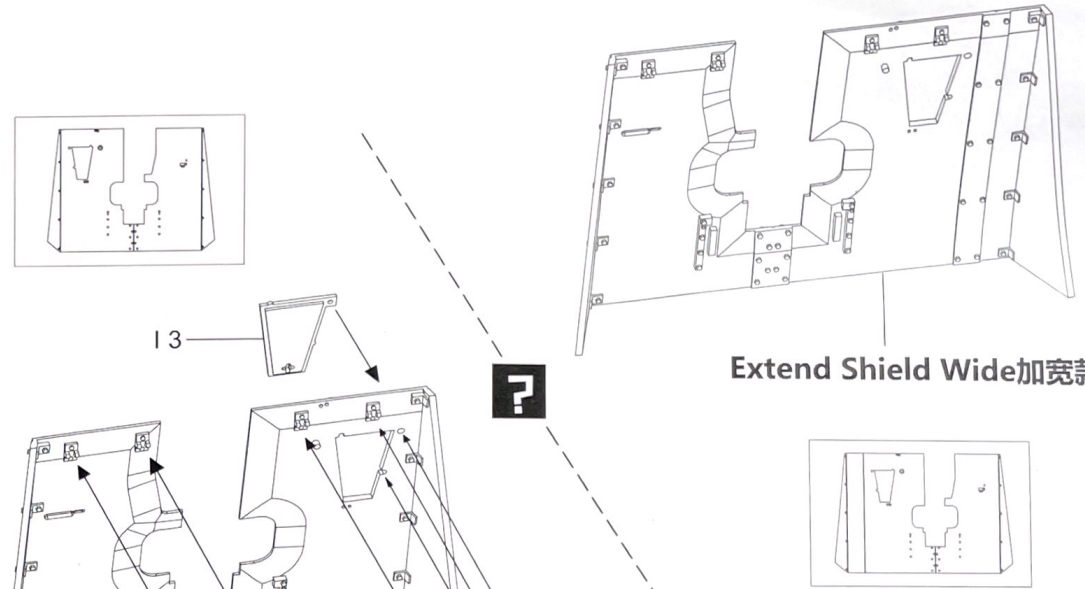
?

Extend Shield Narrow窄款

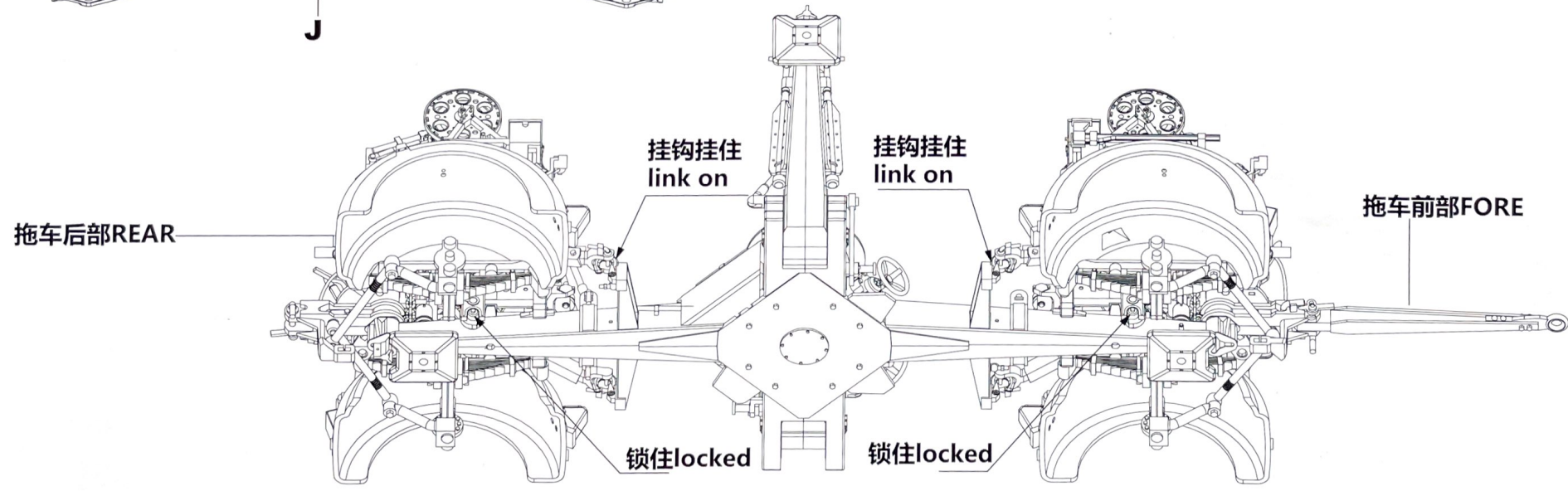
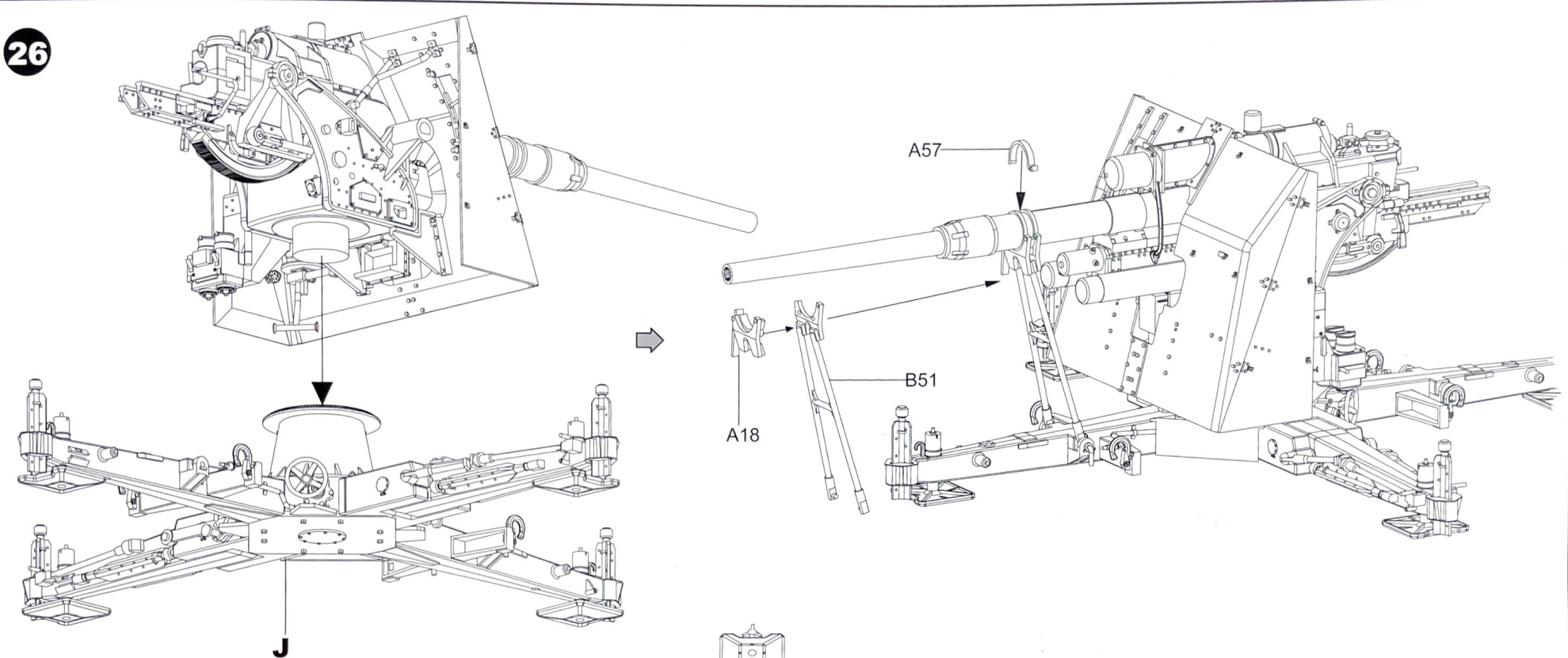


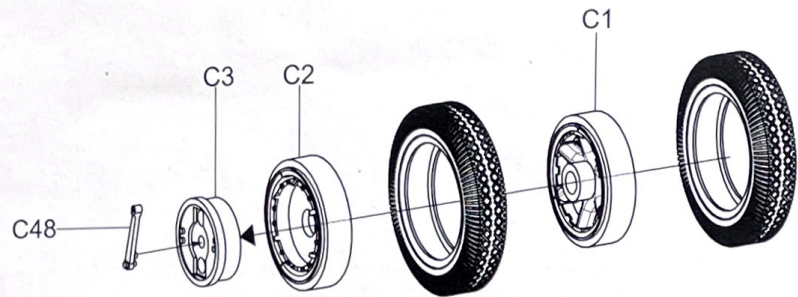
?

Extend Shield Wide加宽款

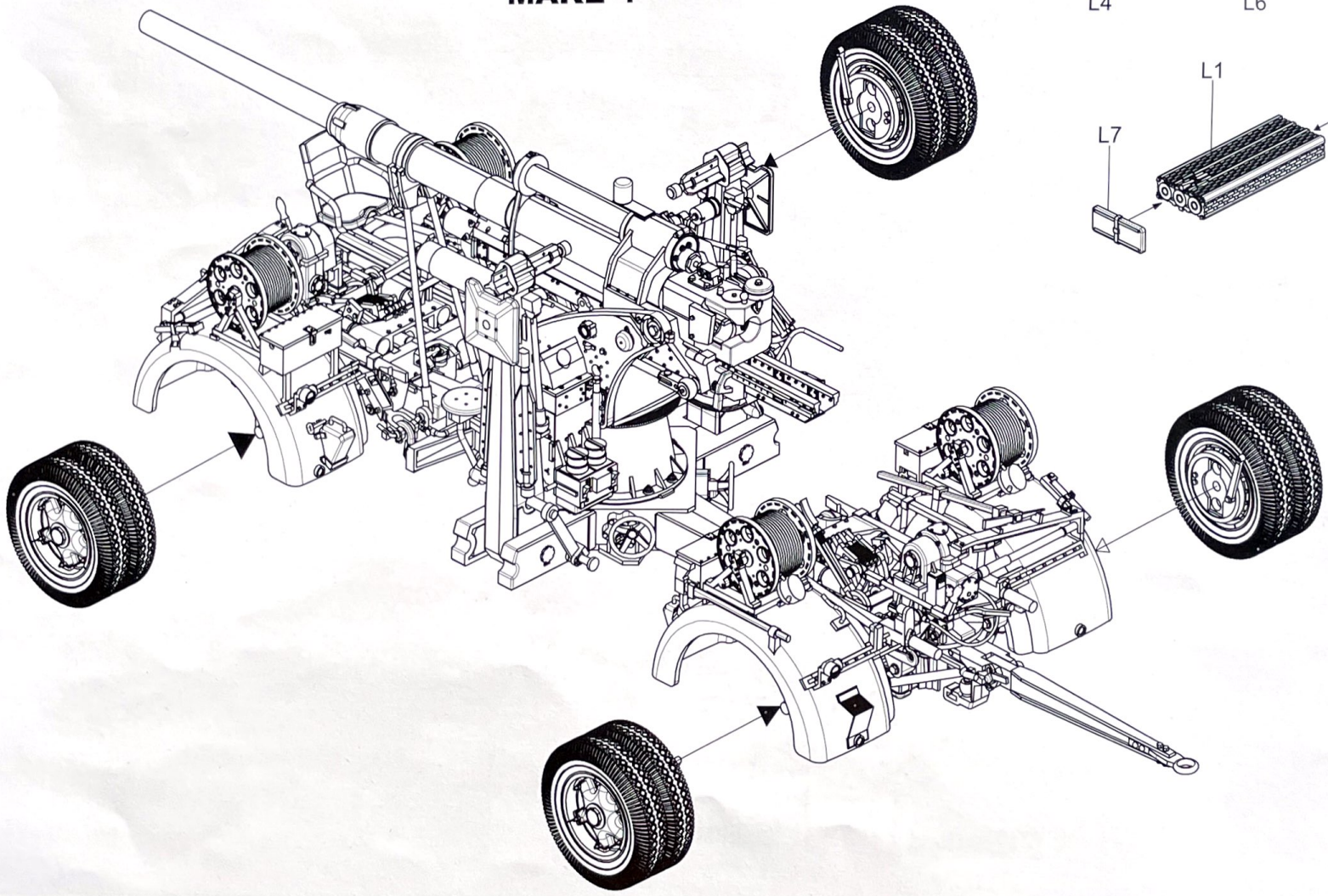
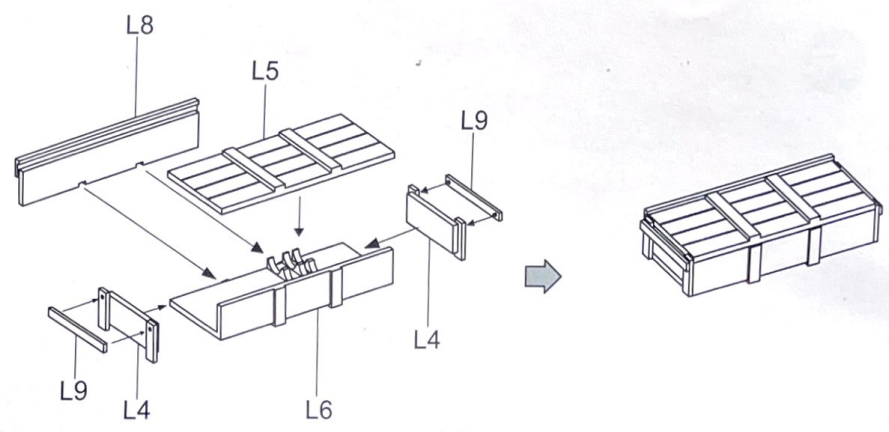


26

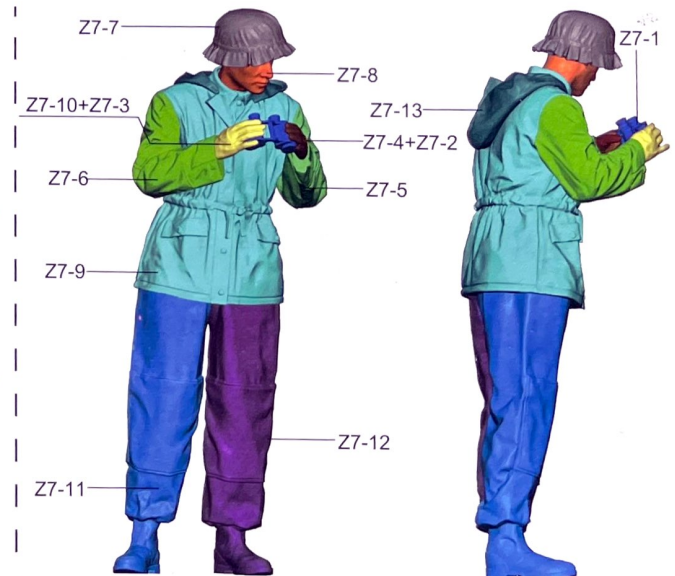
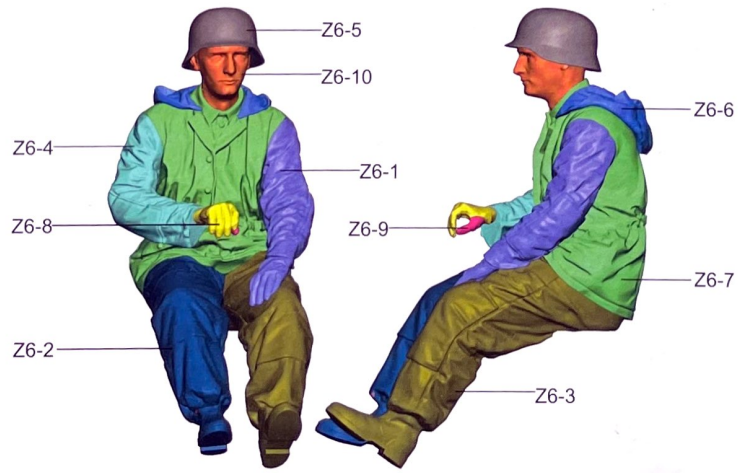
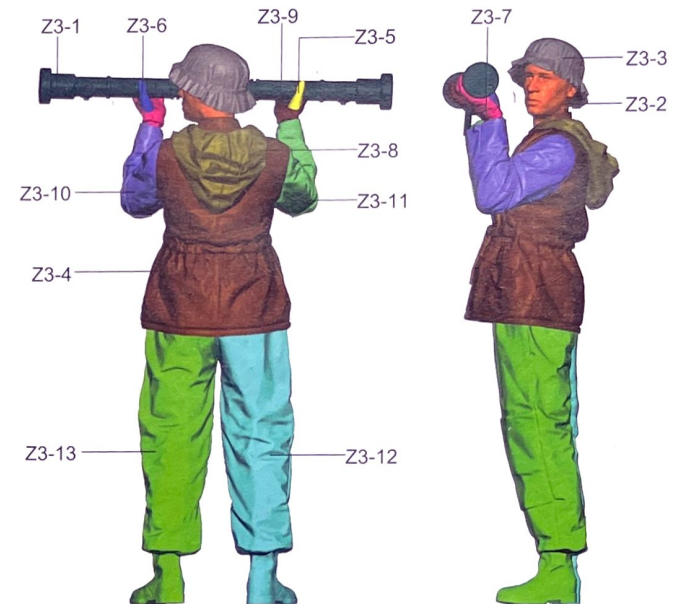
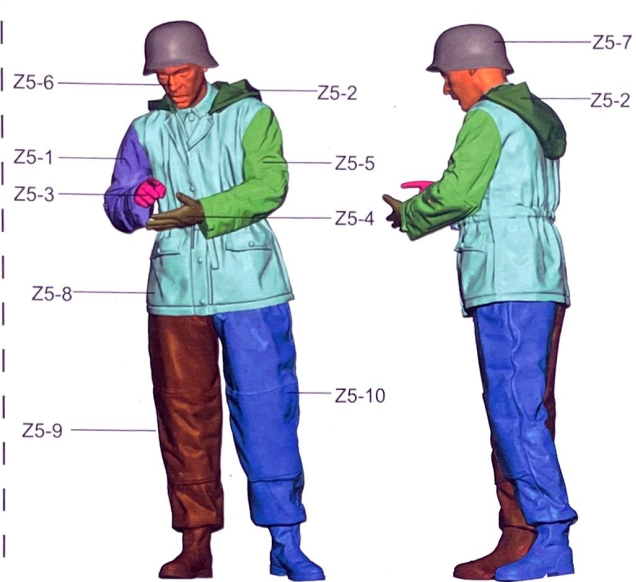
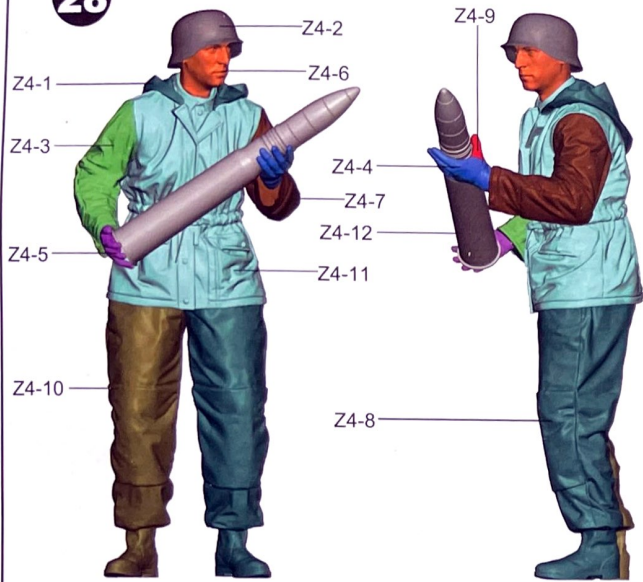




MAKE 4



28



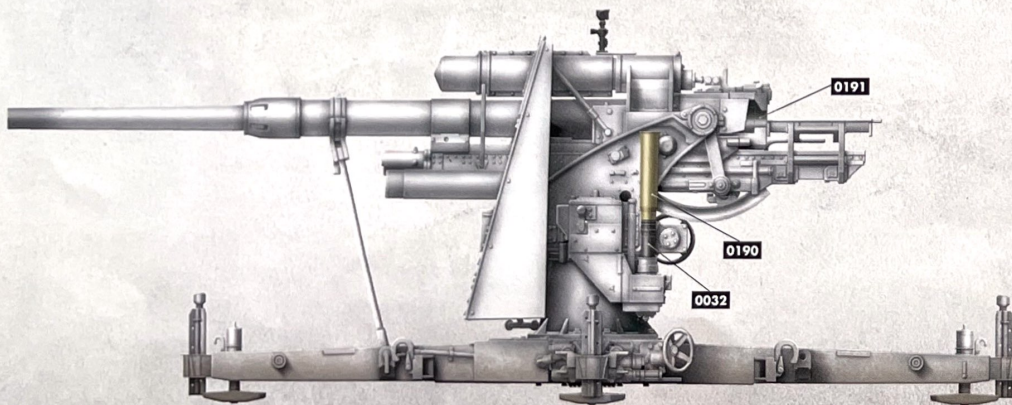
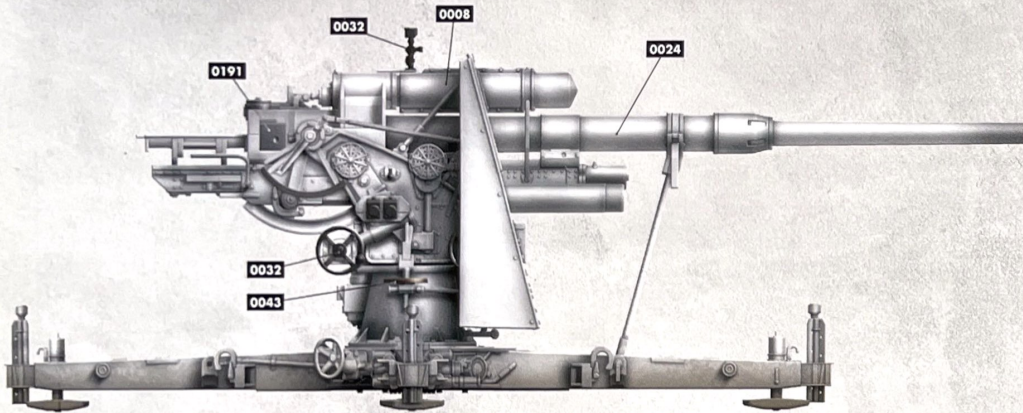
GERMAN 88MM GUN FlaK 36 W/6 ANTI-AIRCRAFT ARTILLERYMEN



PAINTING AND MARKING GUIDE

BORDER MODEL REF: BT-013 German 88 mm Gun FlaK 36, Unidentified unit, Eastern Front, 1942-1943.

- A.MIG-0008** RAL 7021 Dunkelgrau
- A.MIG-0024** Washable White Camo
- A.MIG-0032** Satin Black
- A.MIG-0043** Shadow Rust
- A.MIG-0190** Old Brass
- A.MIG-0191** Steel



WEATHERING STEPS WITH AMMO PRODUCTS

1 GENERAL WASH A.MIG-1006 Blue Wash for Panzer Grey	3 STREAKING A.MIG-1202 Streaking Grime for Panzer Grey	5 TRACKS WASH A.MIG-1002 Tracks Wash	7 MUD A.MIG-1703 Moist Ground	9 FUEL A.MIG-1409 Fuel Stains
2 FILTER A.MIG-1509 Blue for Dark Grey	4 RAINMARKS A.MIG-1258 Streakingbrusher Dust	6 DUST A.MIG-3013 Rubble Pigment	8 SPLASHES A.MIG-1752 Loose Ground	10 OIL A.MIG-1408 Fresh Engine Oil

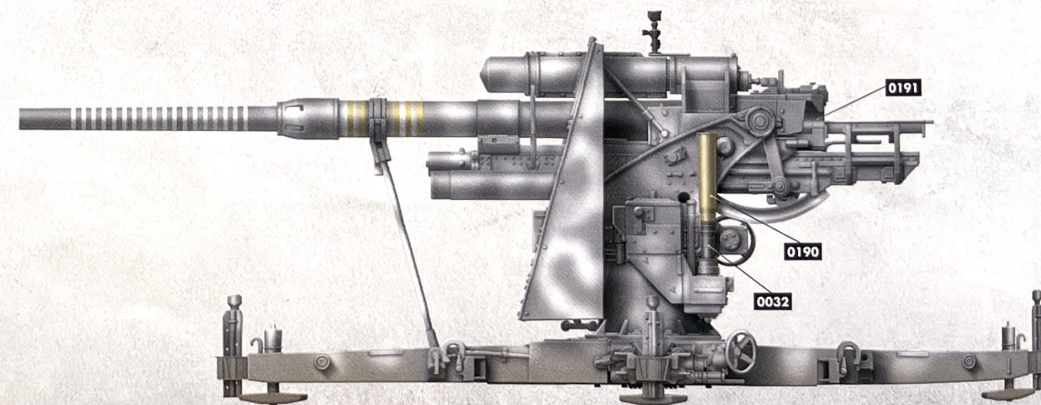
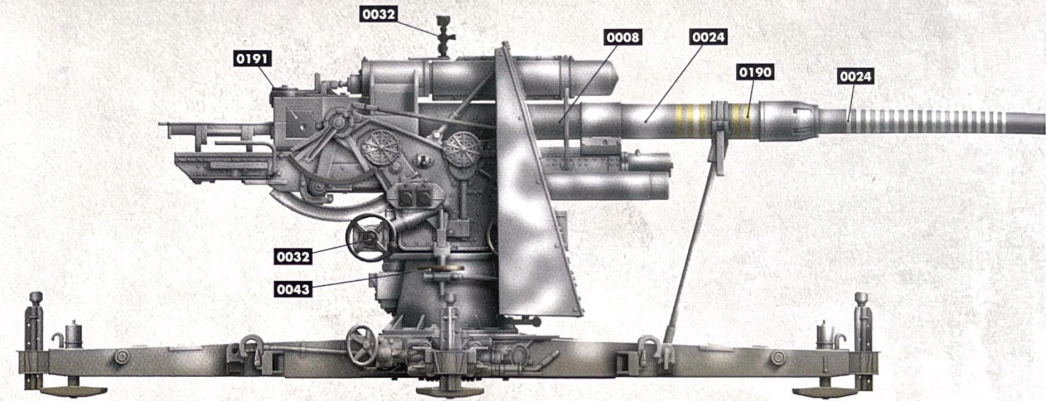
GERMAN 88MM GUN FlaK 36 W/6 ANTI-AIRCRAFT ARTILLERYMEN



PAINTING AND MARKING GUIDE

BORDER MODEL REF: BT-013 German 88 mm Gun FlaK 36, Unidentified unit, Eastern Front, 1942-1943.

- A.MIG-0008** RAL 7021 Dunkelgrau
- A.MIG-0024** Washable White Camo
- A.MIG-0032** Satin Black
- A.MIG-0043** Shadow Rust
- A.MIG-0190** Old Brass
- A.MIG-0191** Steel








WEATHERING STEPS WITH AMMO PRODUCTS

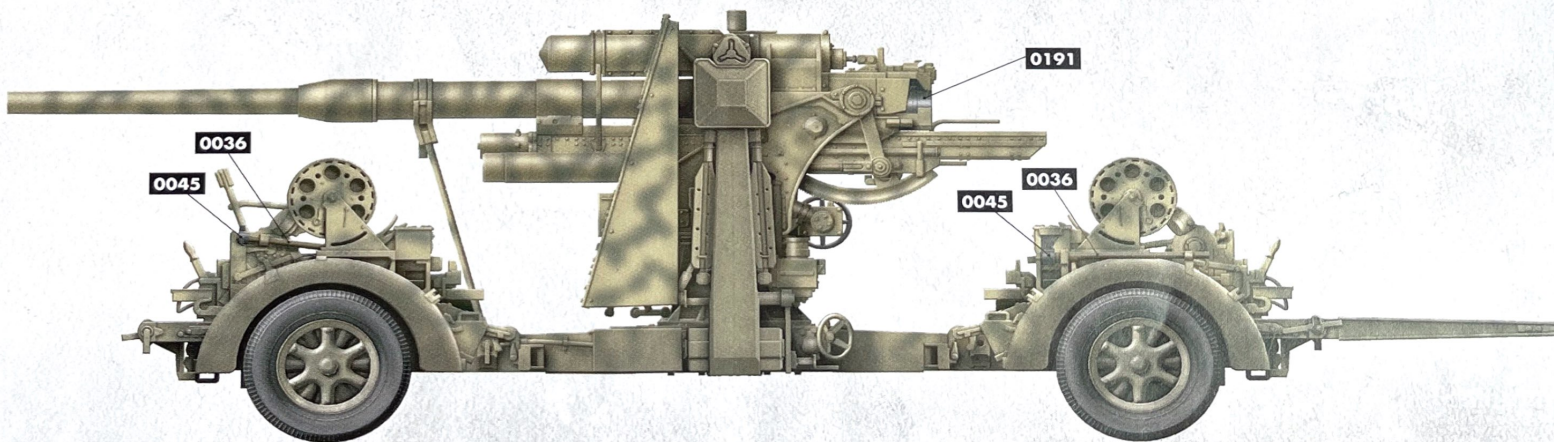
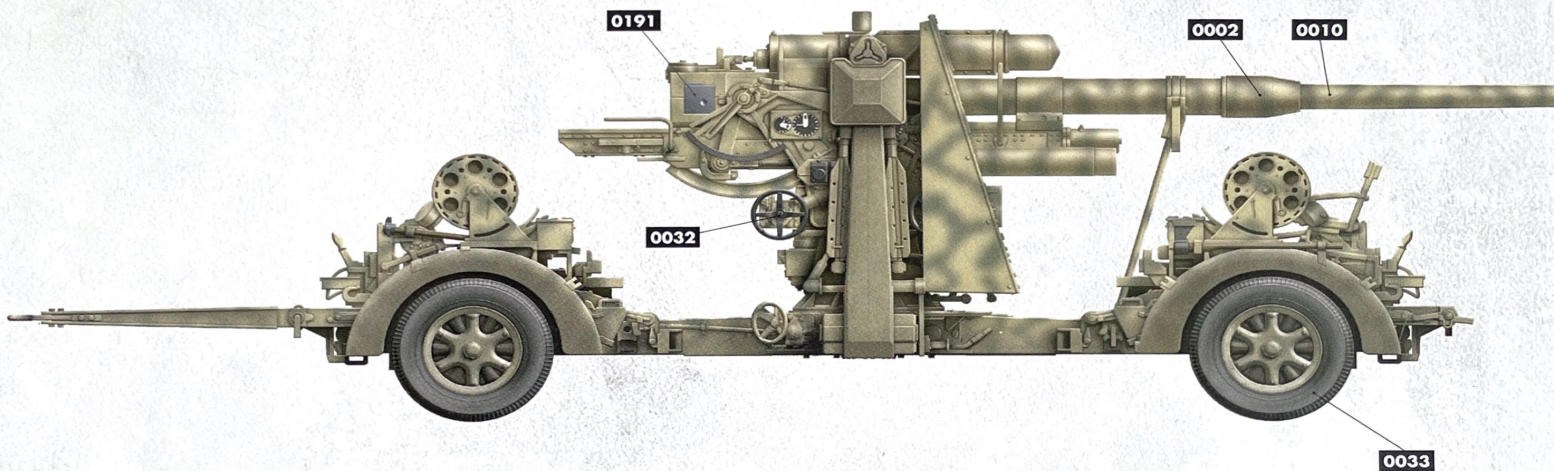
1 GENERAL WASH A.MIG-1010 Neutral Wash	4 CAMO SHADING A.MIG-0857 Grey Shader	7 STREAKING A.MIG-1255 Streakingbrusher Winter Grime	10 DUST A.MIG-3029 Winter Soil Pigment	13 FUEL A.MIG-1409 Fuel Stains
2 CAMO FADING A.MIG-3501 Oilbrusher White	5 DIRT SHADING A.MIG-0853 Dirt Shader	8 RAINMARKS A.MIG-1258 Streakingbrusher Dust	11 MUD A.MIG-1705 Wet Mud	14 OIL A.MIG-1408 Fresh Engine Oil
3 FILTER A.MIG-0822 Ochre	6 DETAILS HIGHLIGHT A.MIG-0608 Drybrush Light Olive Green	9 TRACKS WASH A.MIG-1002 Tracks Wash	12 SPLASHES A.MIG-1754 Damp Earth	

GERMAN 88MM GUN FlaK 36 W/6 ANTI-AIRCRAFT ARTILLERYMEN

PAINTING AND MARKING GUIDE

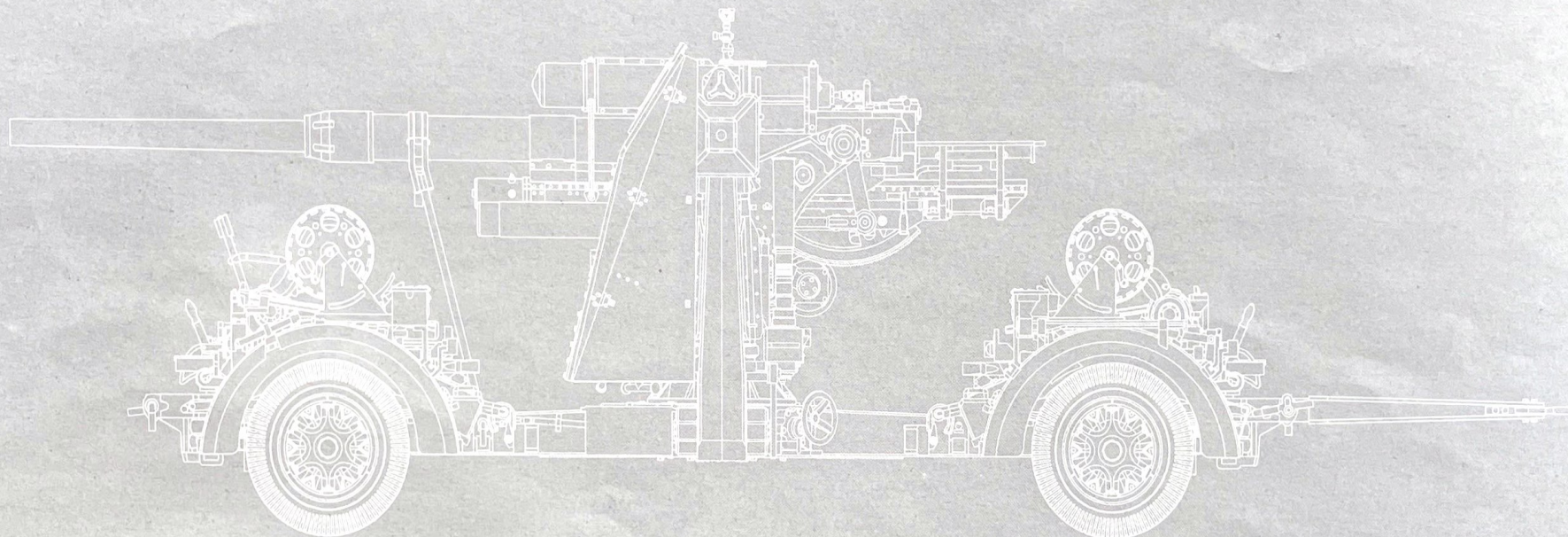
BORDER MODEL REF: BT-013 German 88 mm Gun FlaK 36, Unidentified unit, Eastern Front.1944.

 A.MIG-0008 RAL 7021 Dunkelgrau	 A.MIG-0002 RAL 6003 Olivgrün OPT.2	 A.MIG-0010 RAL 7028 Dunkelgelb (Mid War)	 A.MIG-0032 Satin Black
 A.MIG-0033 Rubber & tires	 A.MIG-0036 Old Wood	 A.MIG-0045 Gun Metal	 A.MIG-0191 Steel



WEATHERING STEPS WITH AMMO PRODUCTS

1 GENERAL WASH A.MIG-1005 Dark Brown Wash for Green vehicles	4 DIRT SHADING A.MIG-0853 Dirt Shader	7 RAINMARKS A.MIG-1258 Streakingbrusher Dust	10 MUD A.MIG-1704 Heavy Earth	12 FUEL A.MIG-1409 Fuel Stains
2 FILTER A.MIG-0824 Tan	5 DETAILS HIGHLIGHT A.MIG-0617 Drybrush Medium German Yellow	8 TRACKS WASH A.MIG-1002 Tracks Wash	11 SPLASHES A.MIG-1753 Turned Dirt	13 OIL A.MIG-1408 Fresh Engine Oil
3 CAMO SHADING A.MIG-0852 Earth Shader	6 STREAKING A.MIG-1256 Streakingbrusher Green-Grey Grime	9 DUST A.MIG-3004 Europe Earth Pigment		



WWW.BORDERMODEL.COM