

# DKM TYPE VII-

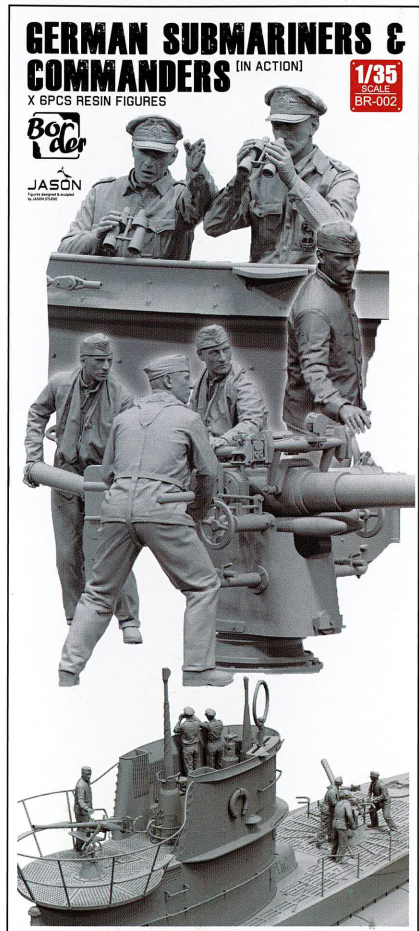
● READY TO ASSEMBLE PRECISION MODEL KIT

● MODELING SKILLS HELPFUL

IF UNDER 14 YEARS OF AGE

● MO

ドイツ海軍 UボートVIIC型  
德国海军VIIC型U艇

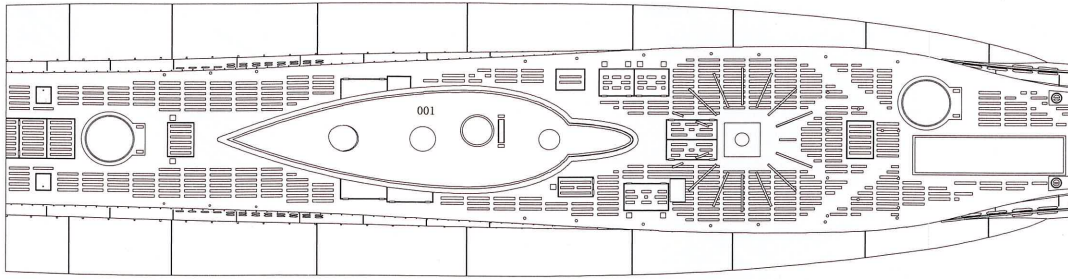


You can choose to buy the resin figure BR002&BR003. They will make your UBOAT more exciting

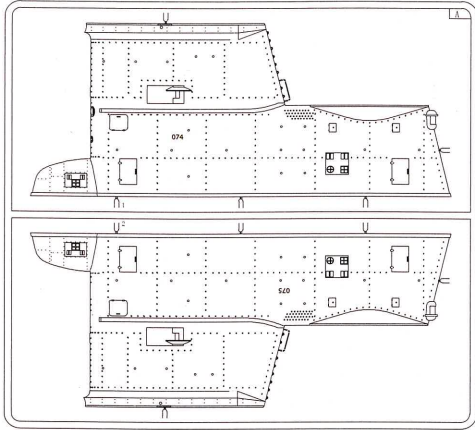
# 部品图

## Parts

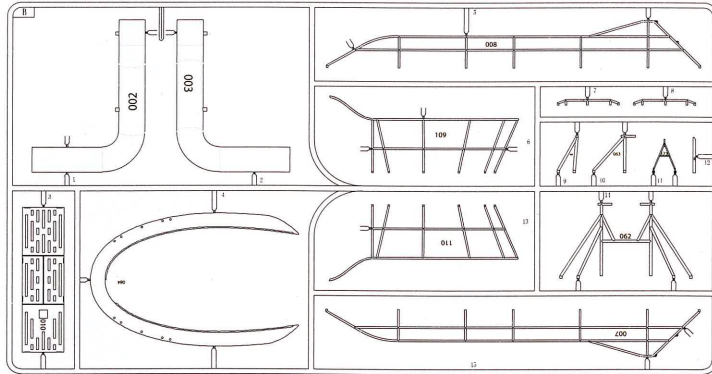
### 艇体 Hull



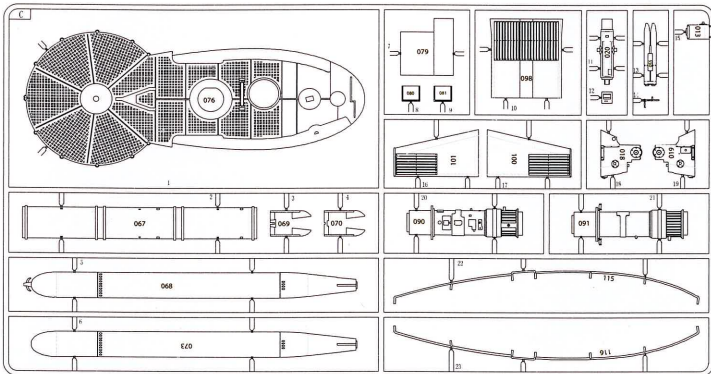
A



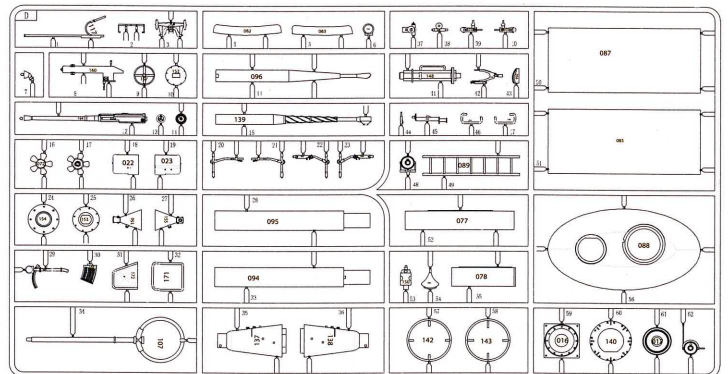
B



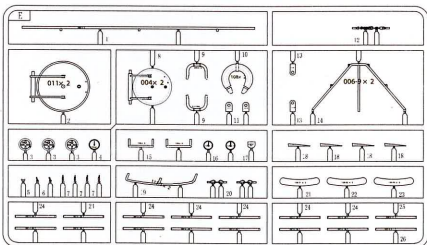
C



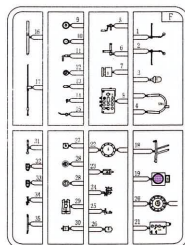
D



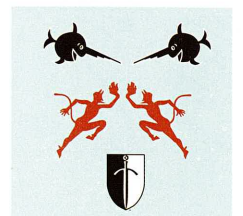
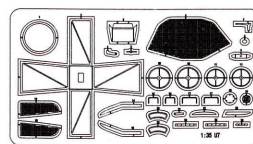
Ex2

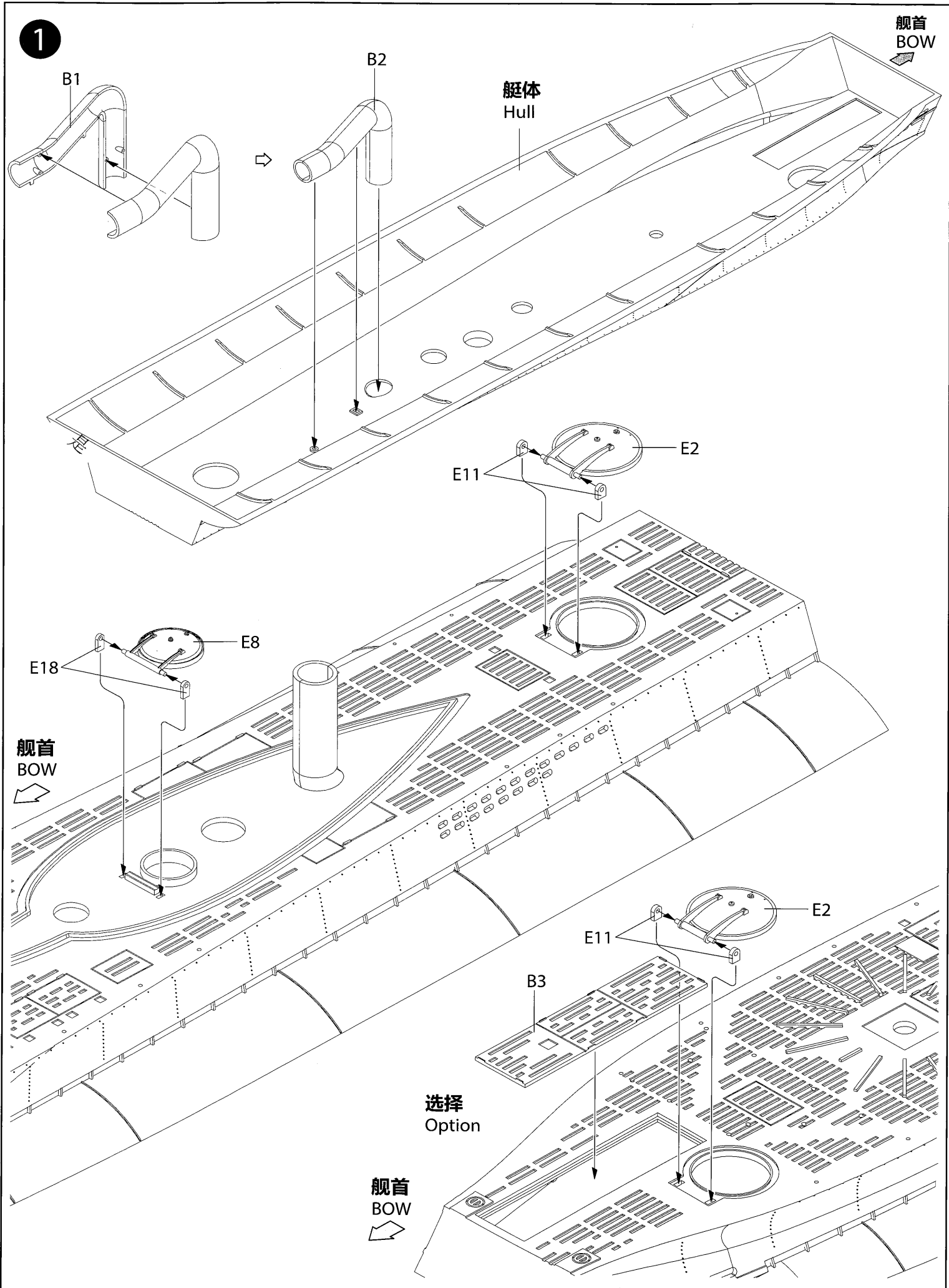


F

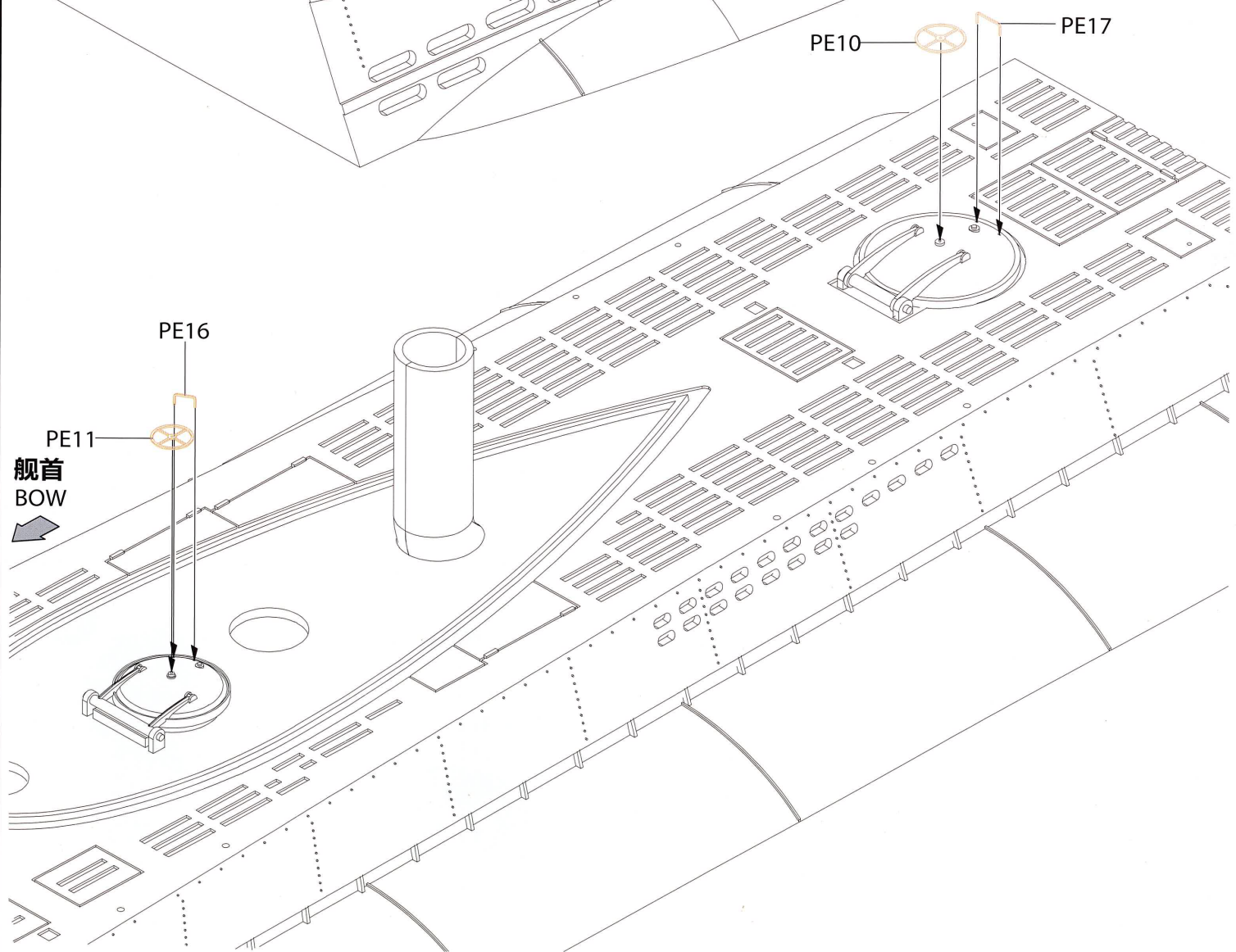
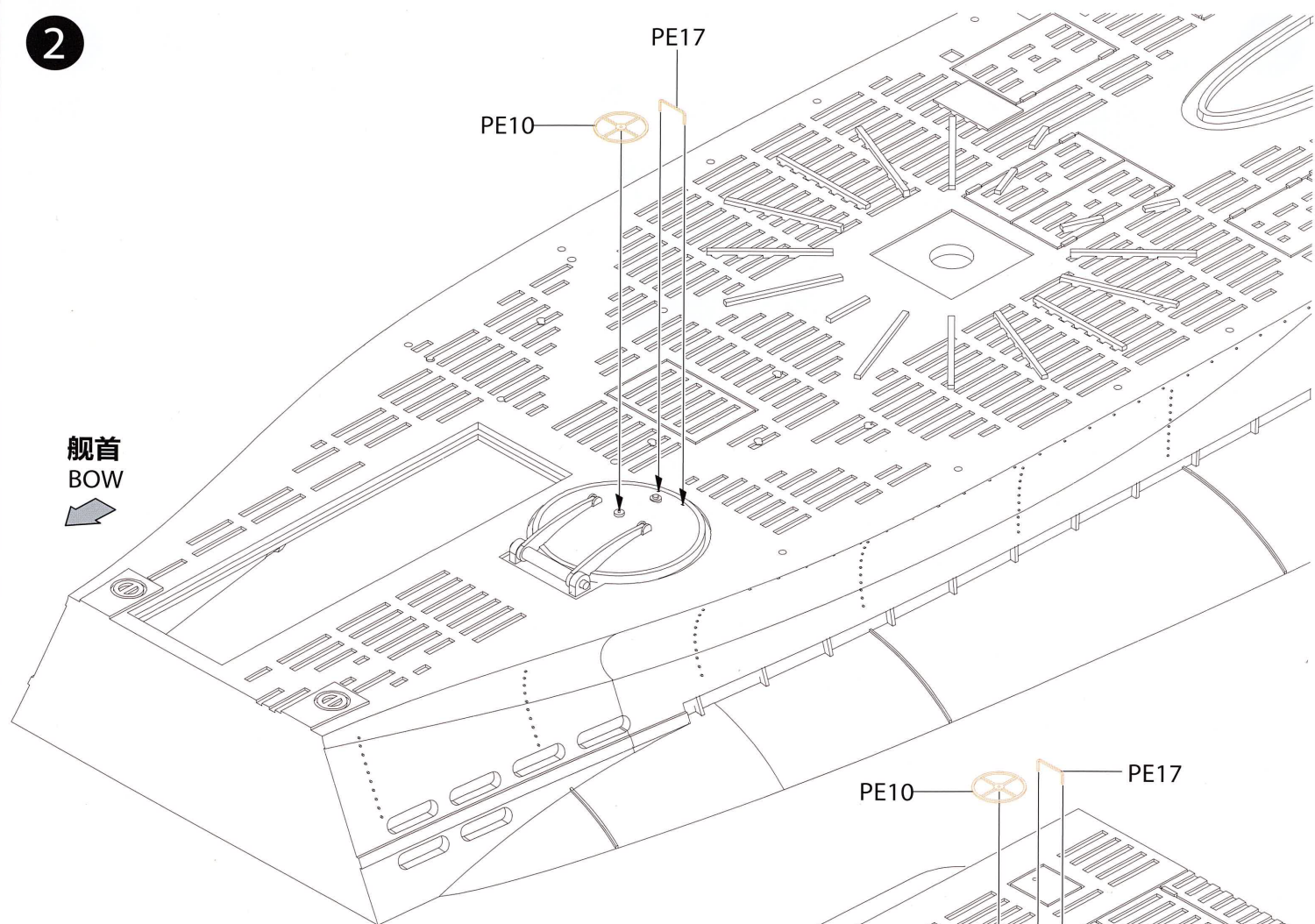


PE

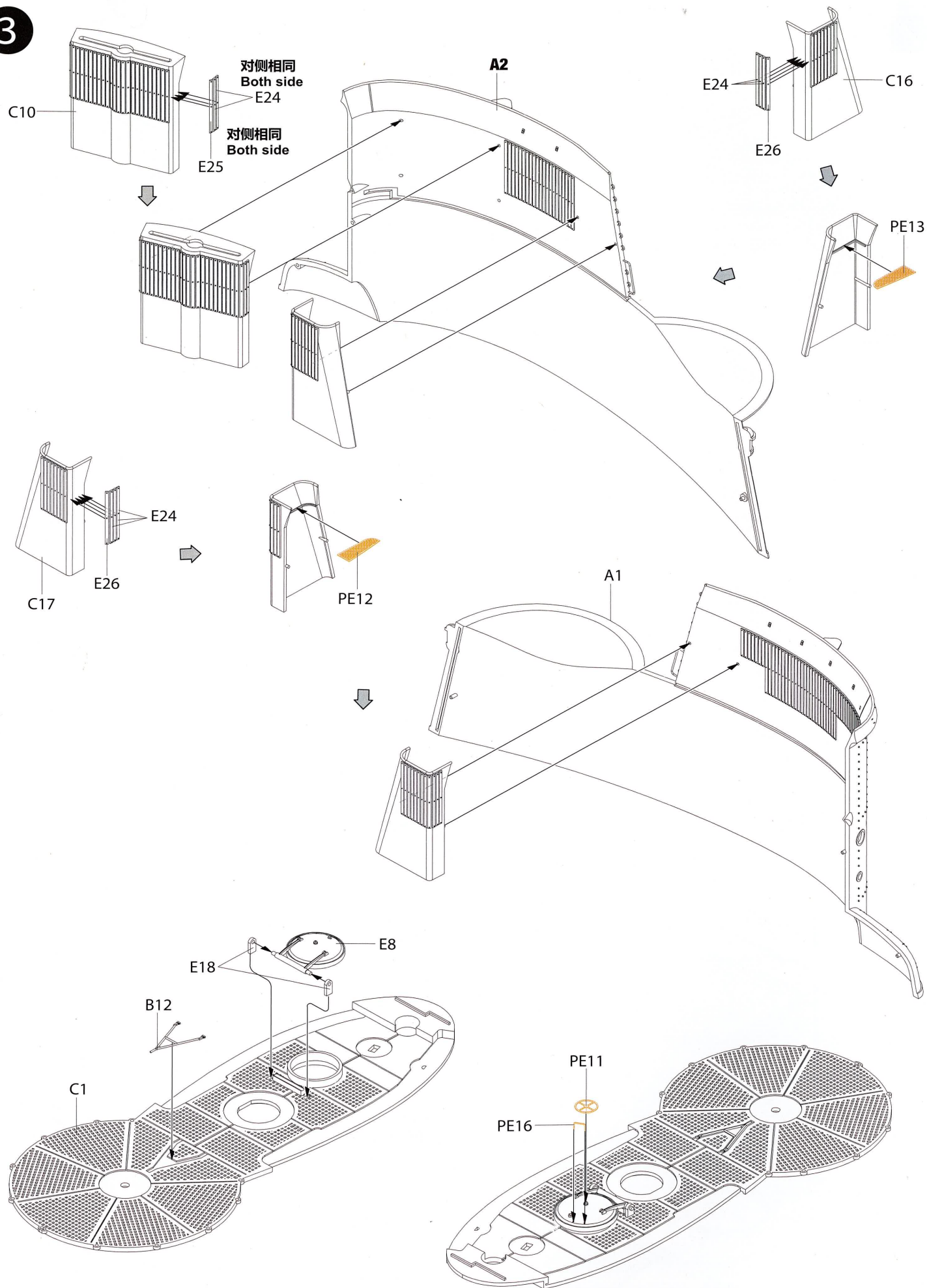




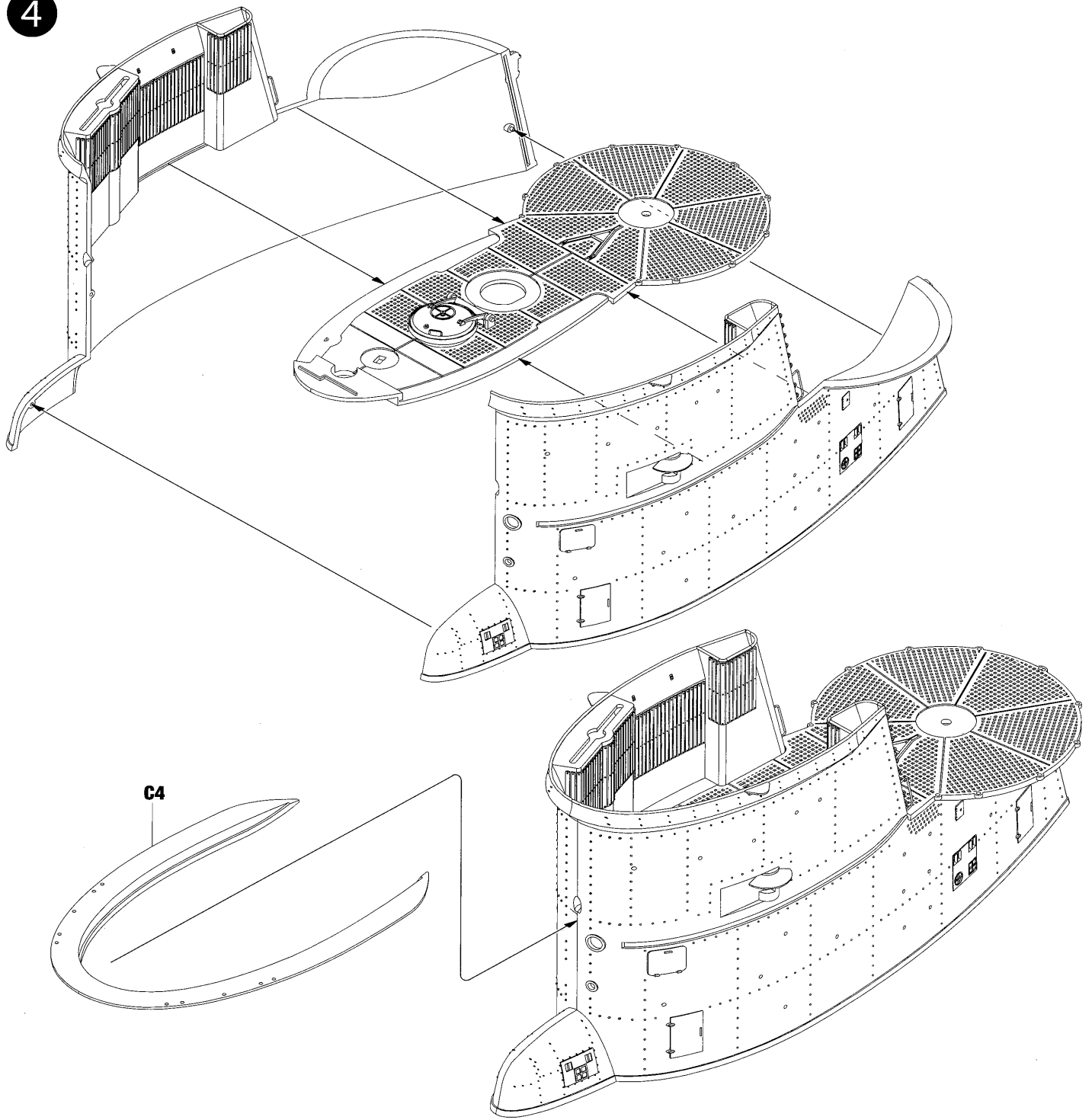
2



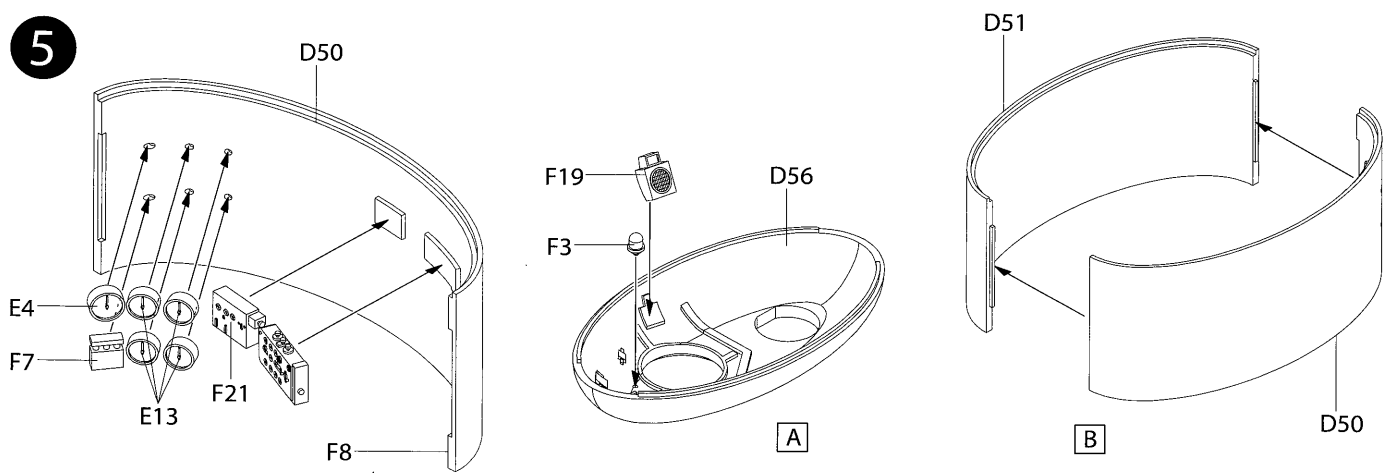
3

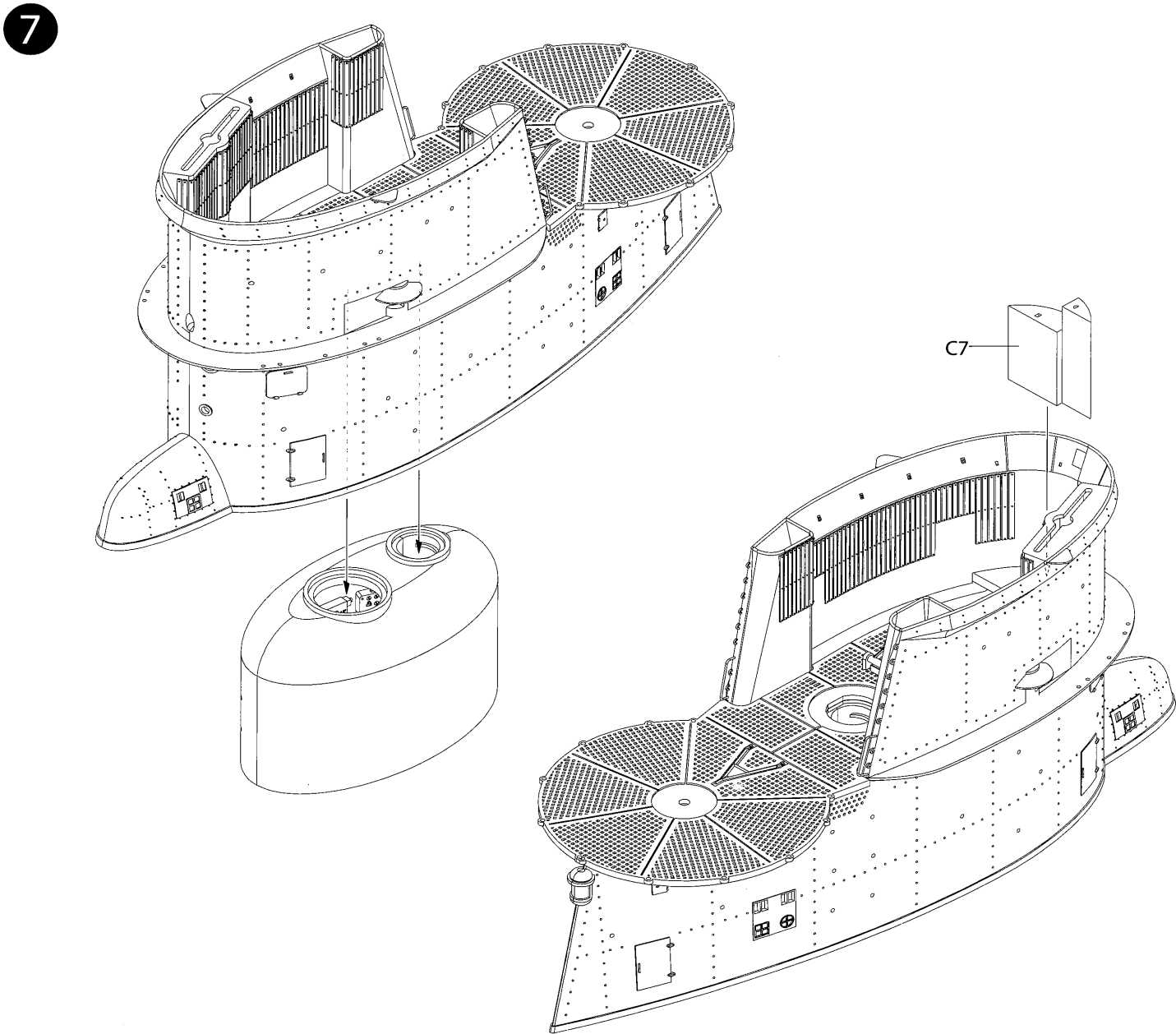
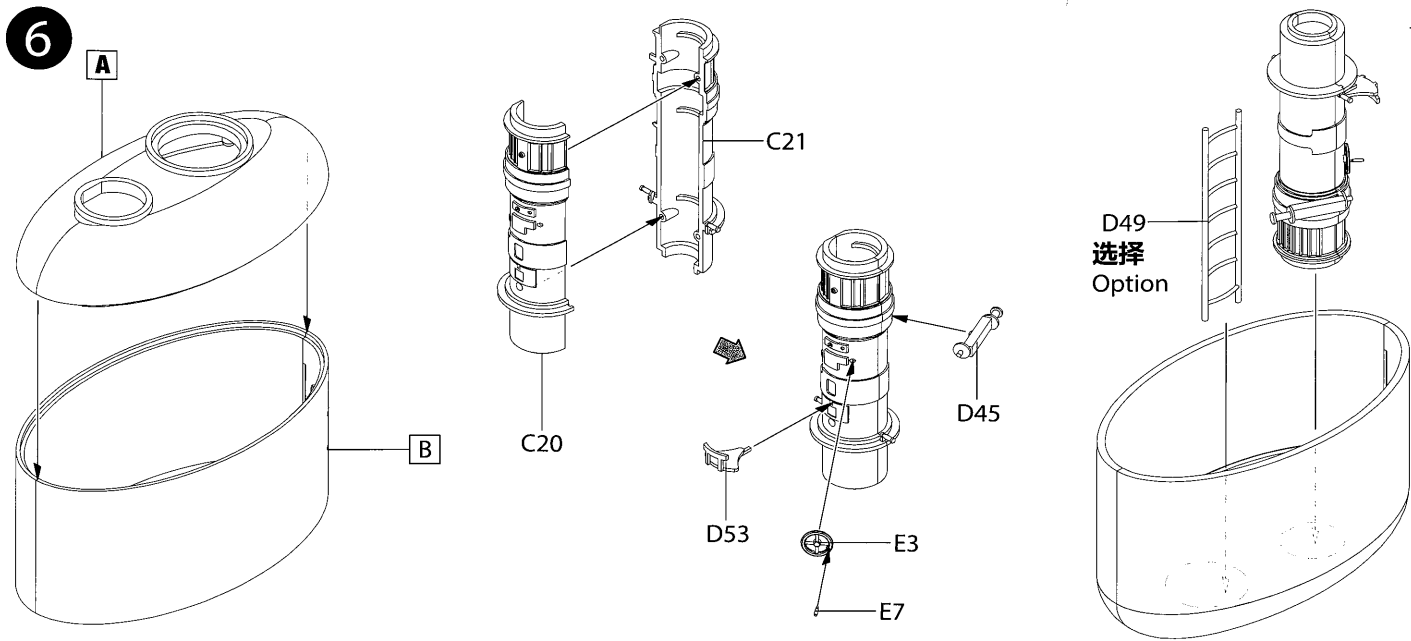


4

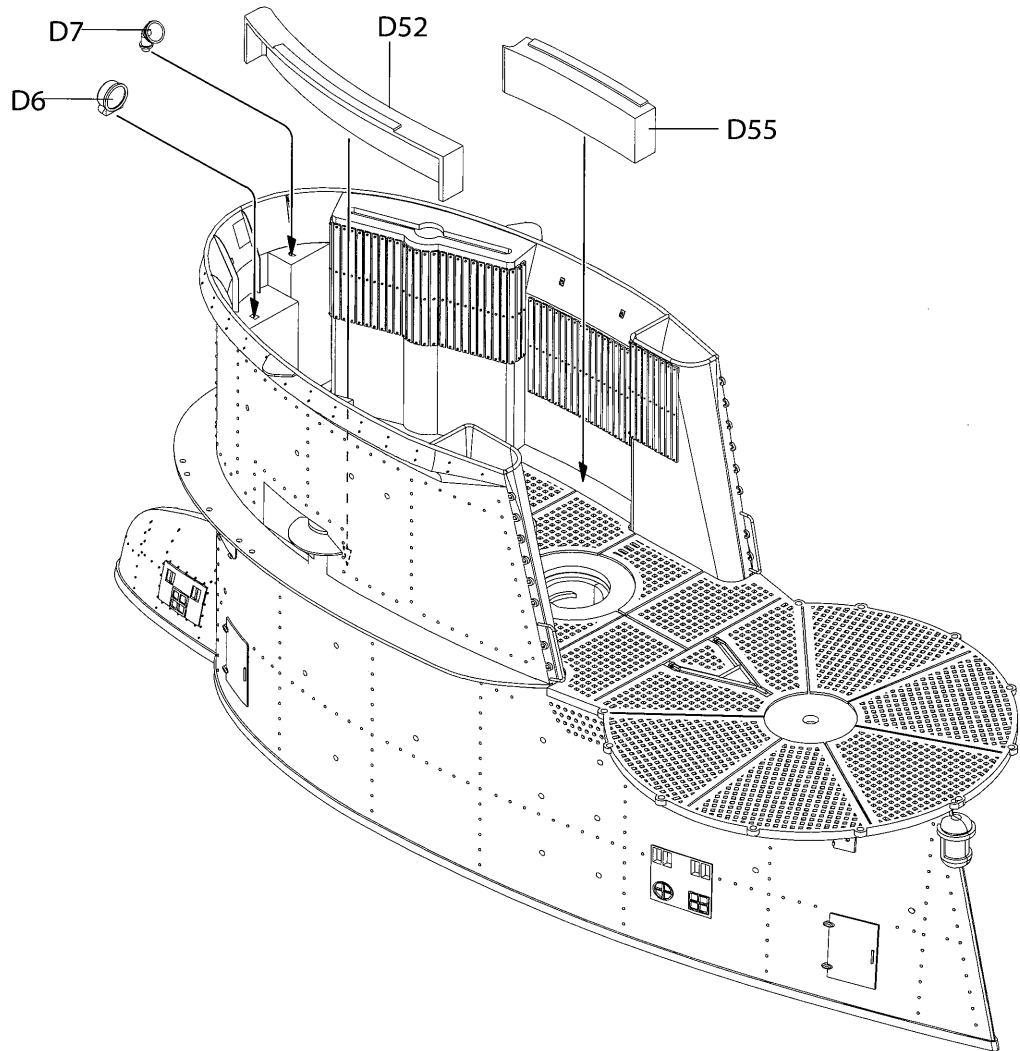
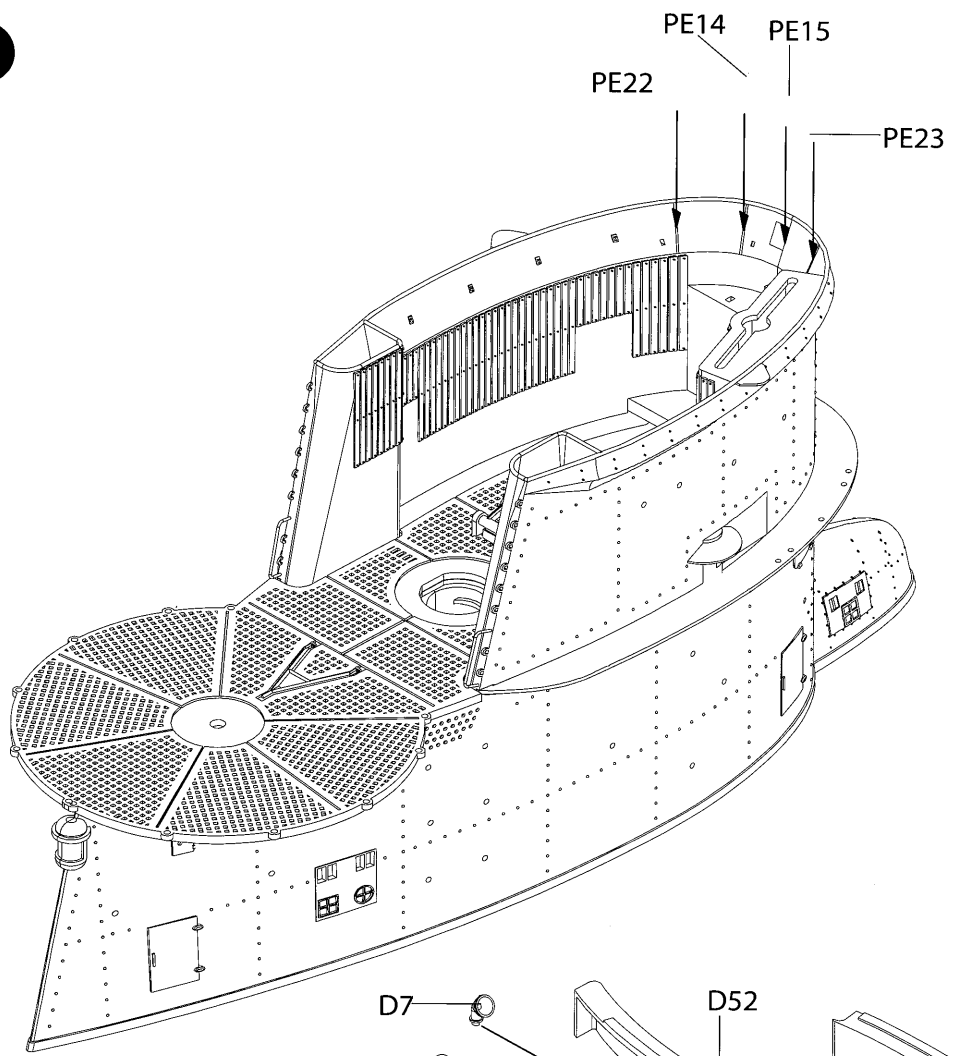


5

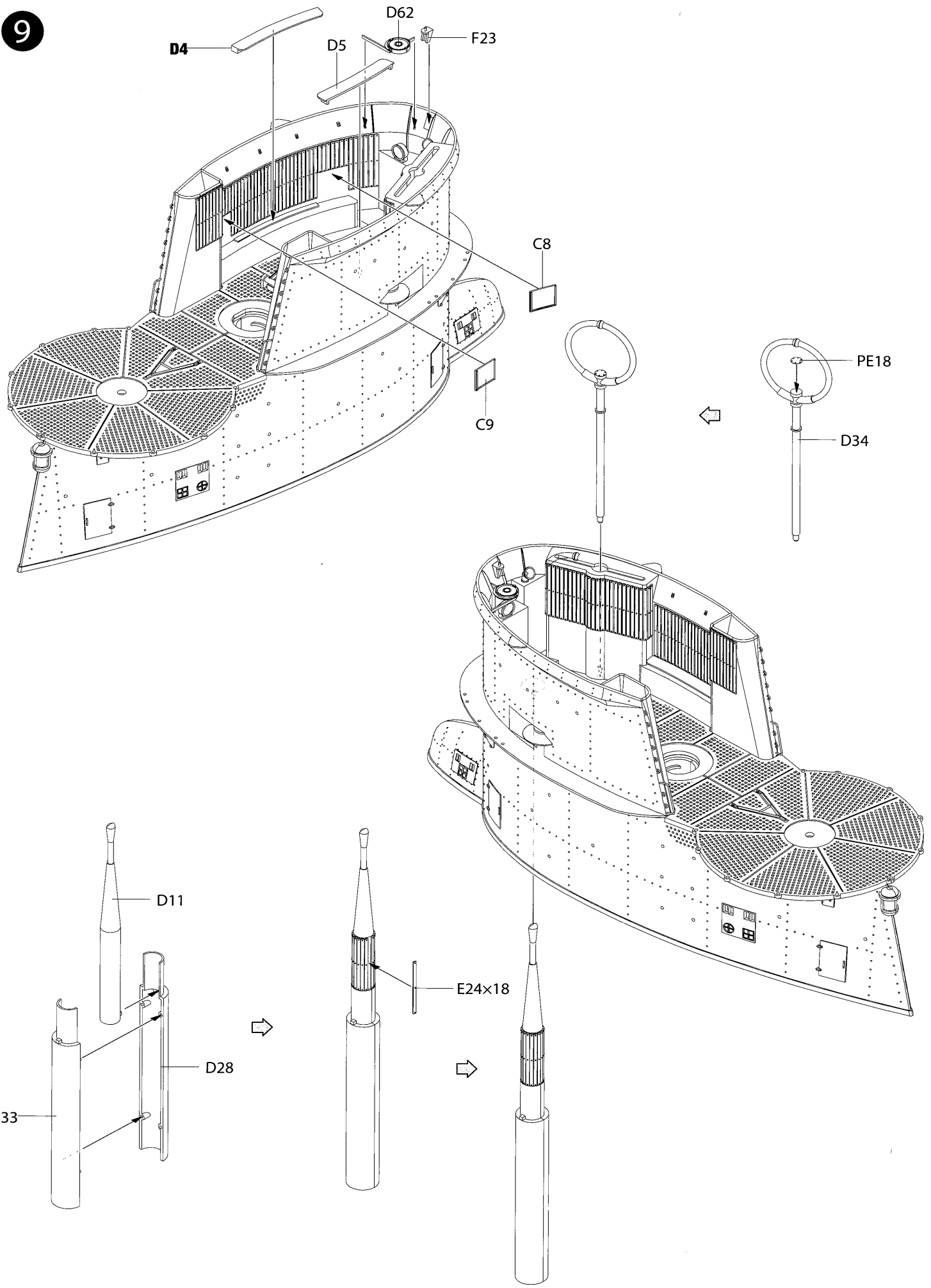




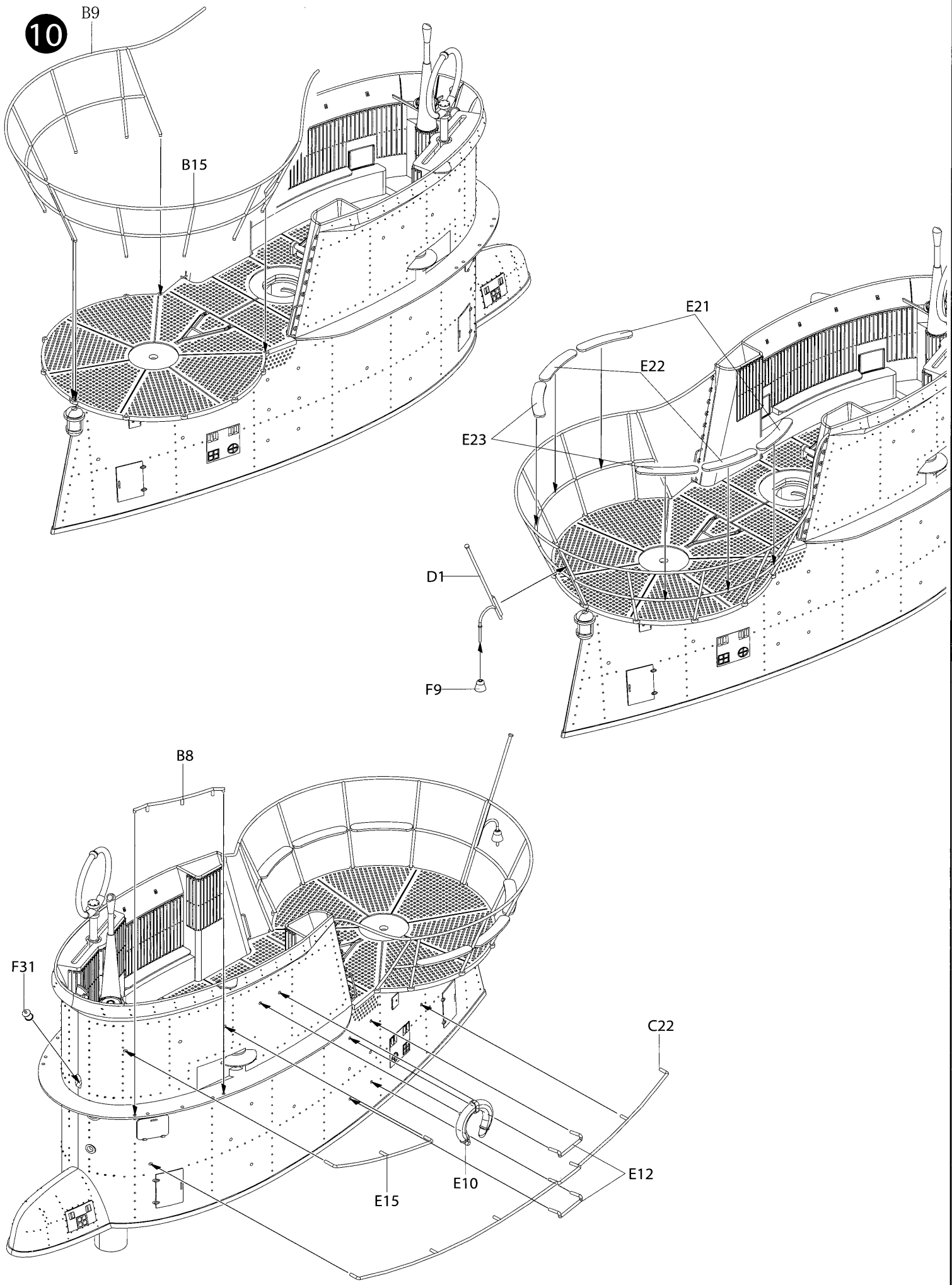
8



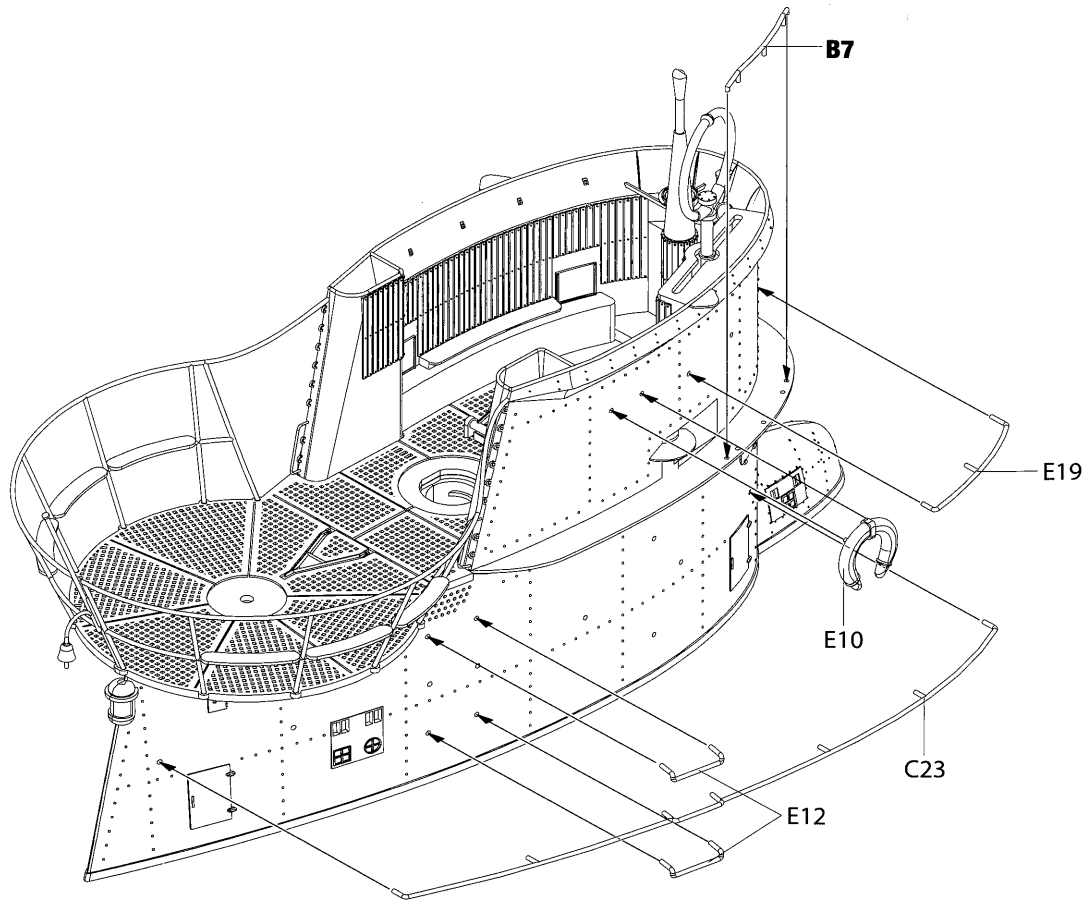
9



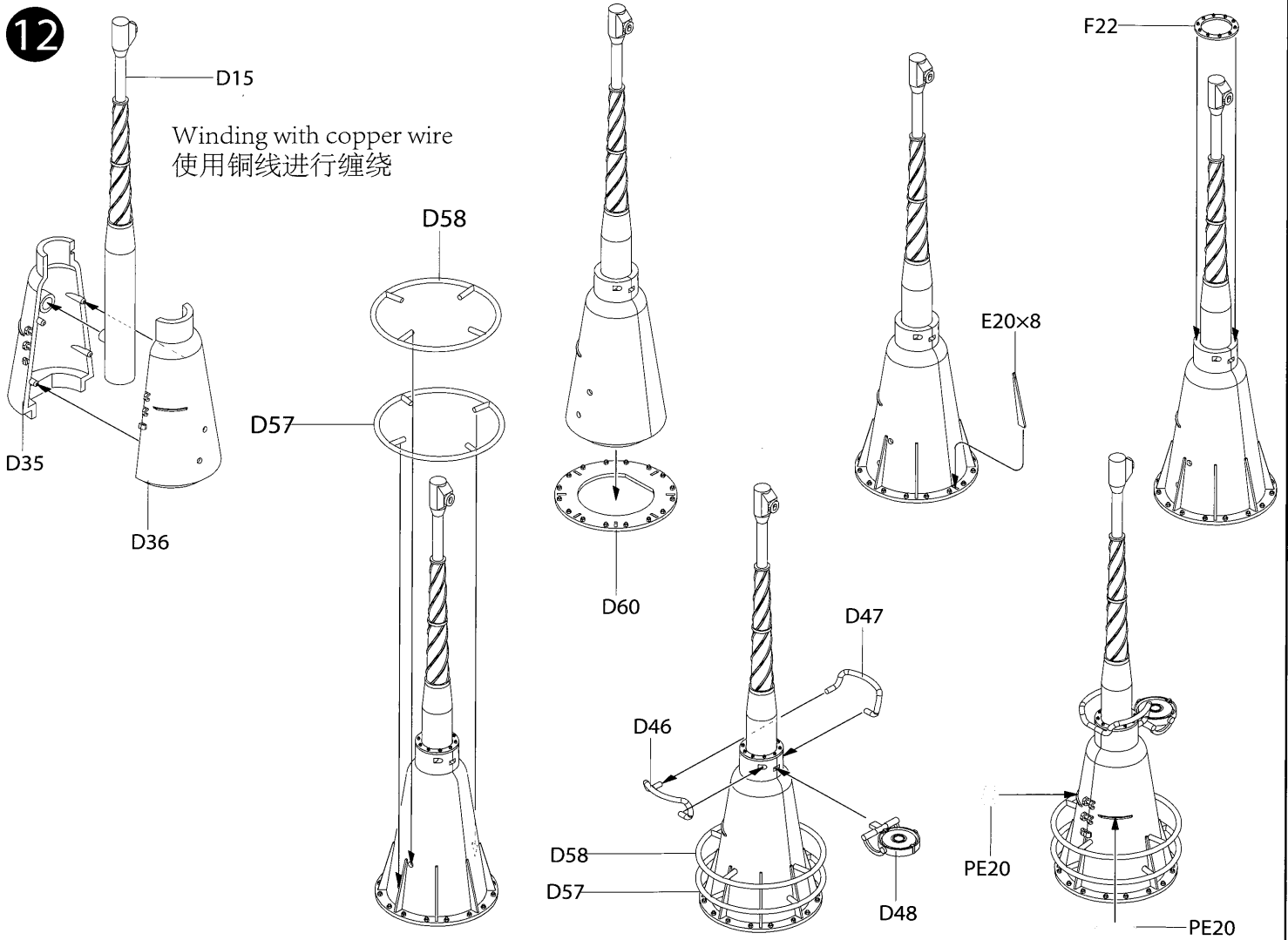
10



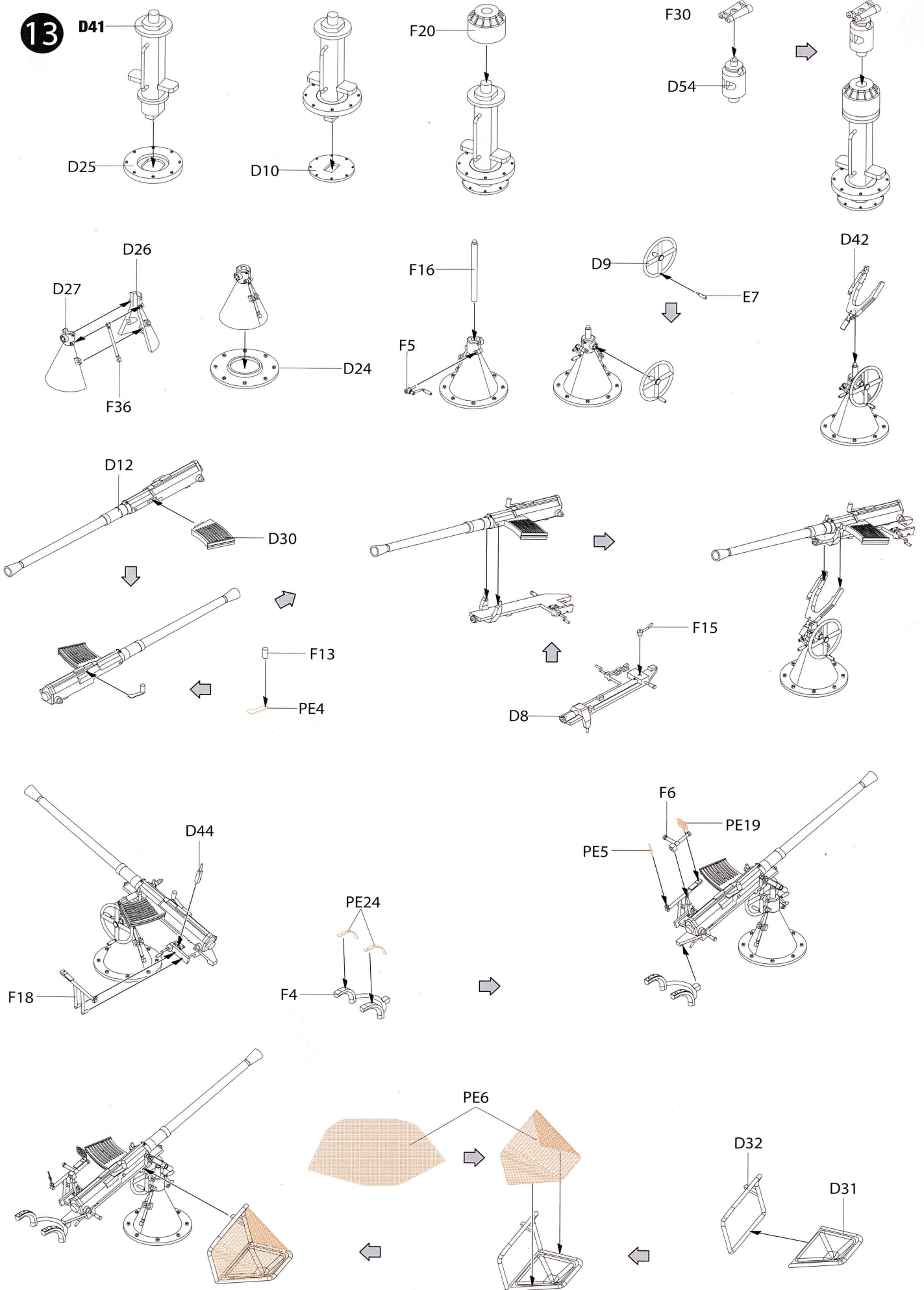
11

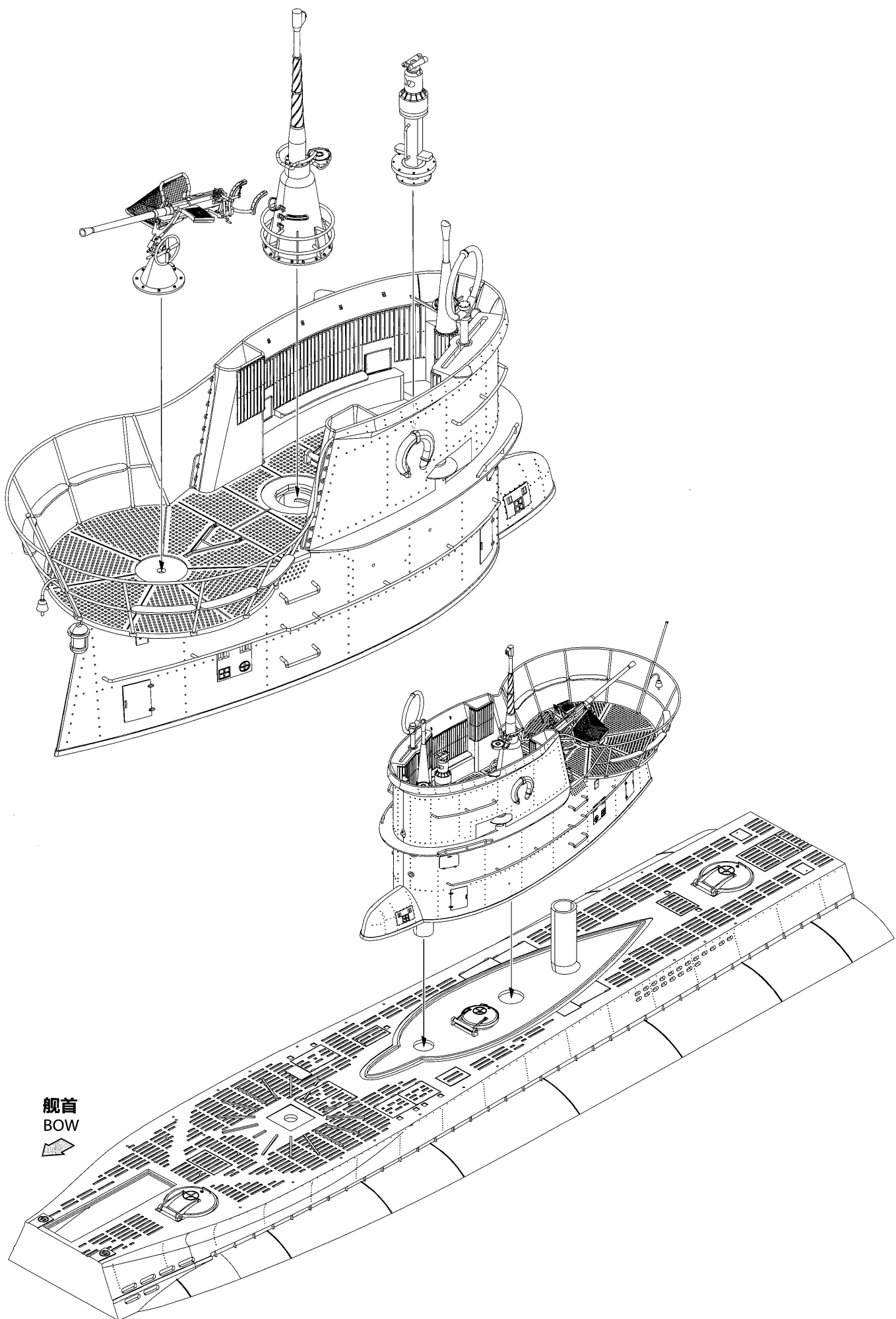


12



13

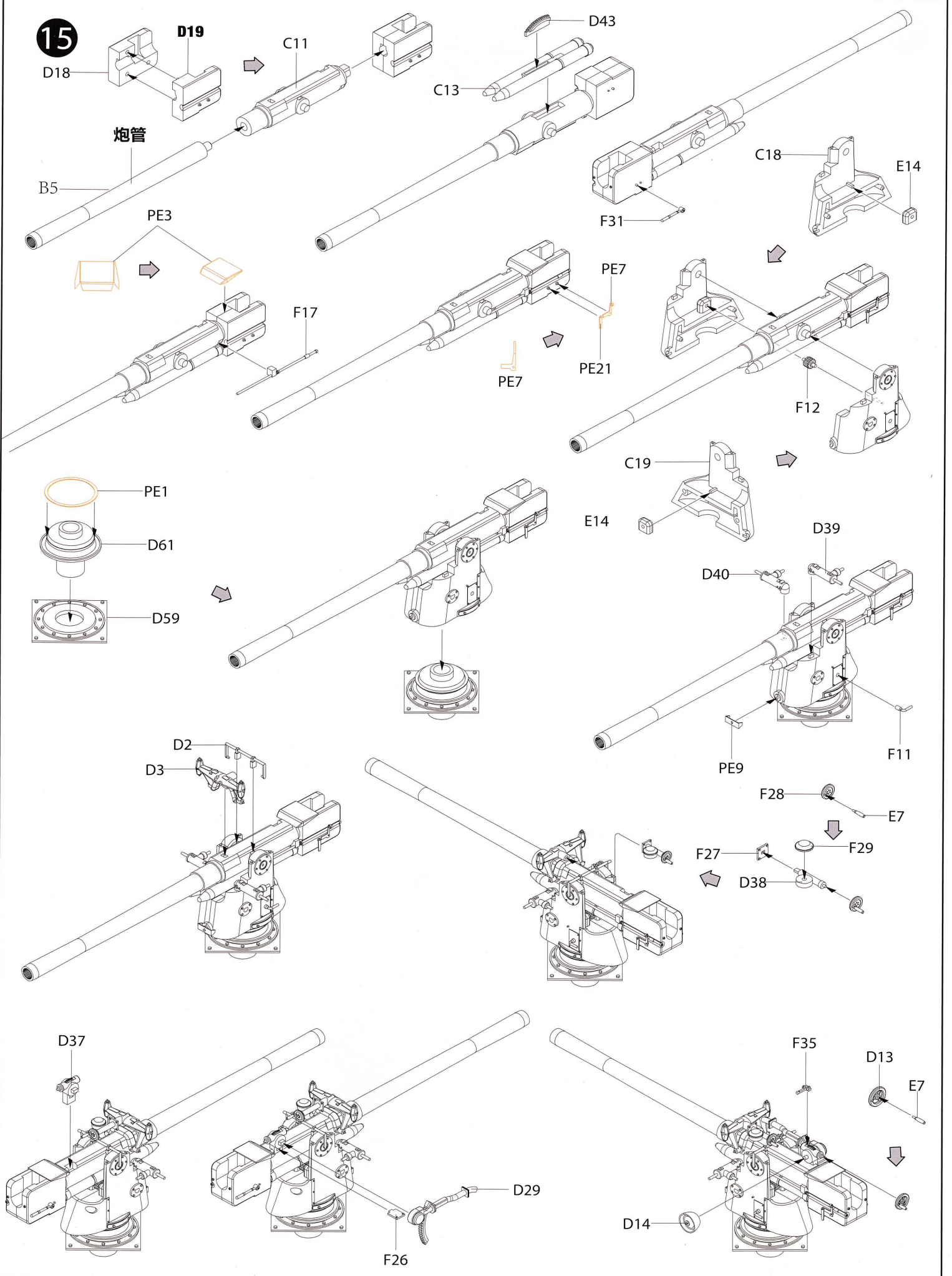




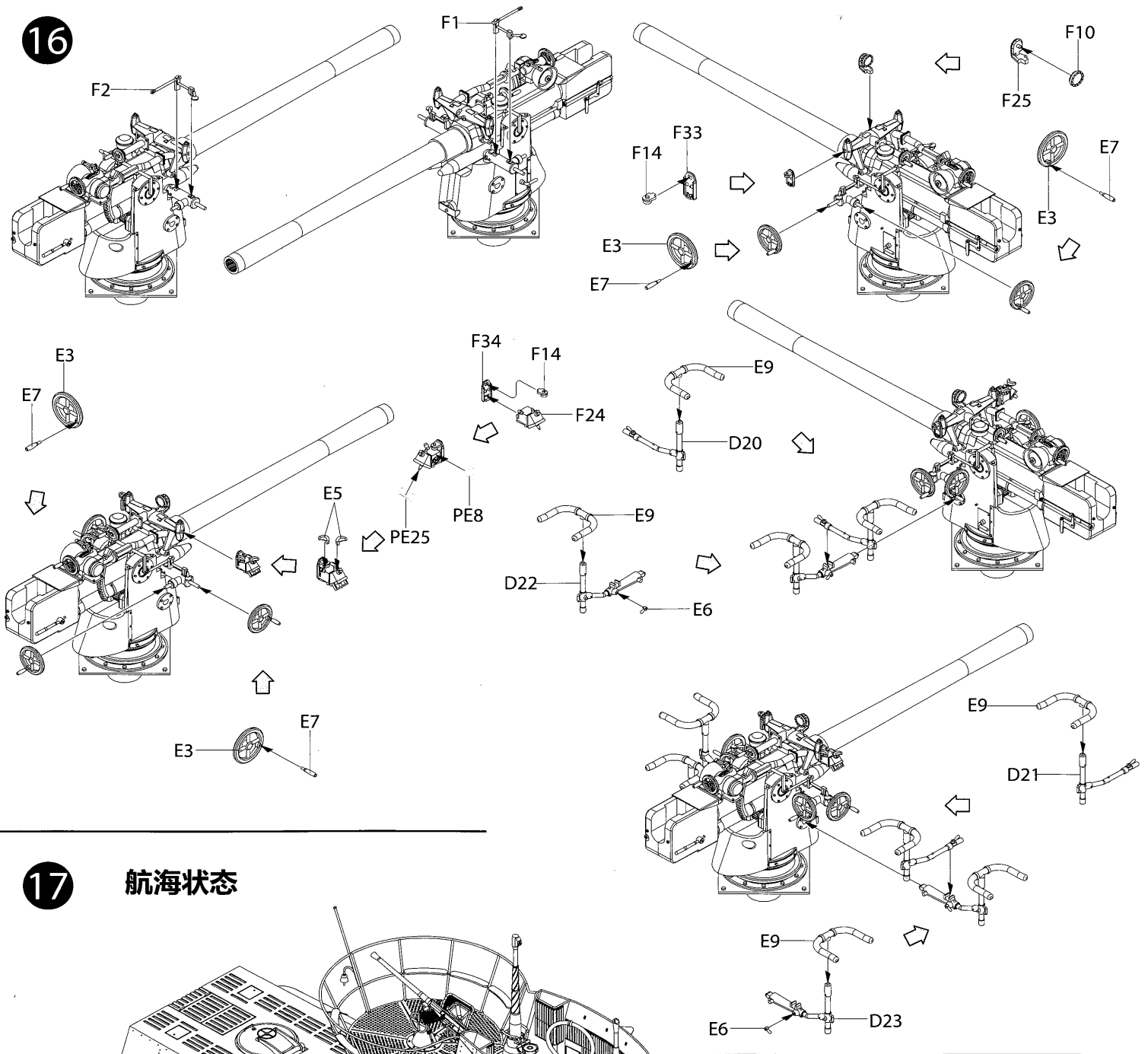
舰首  
BOW  
➔

15

炮管

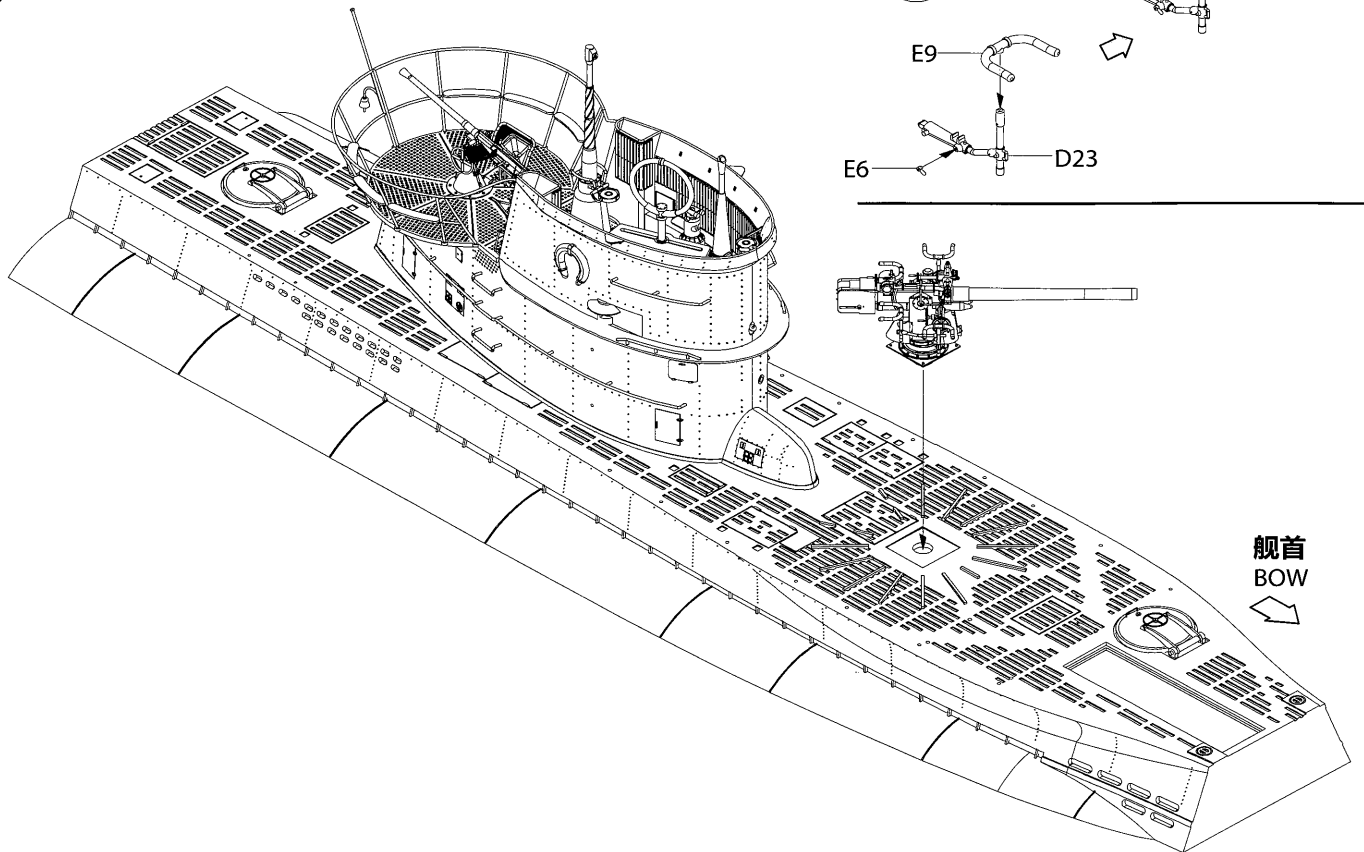


16

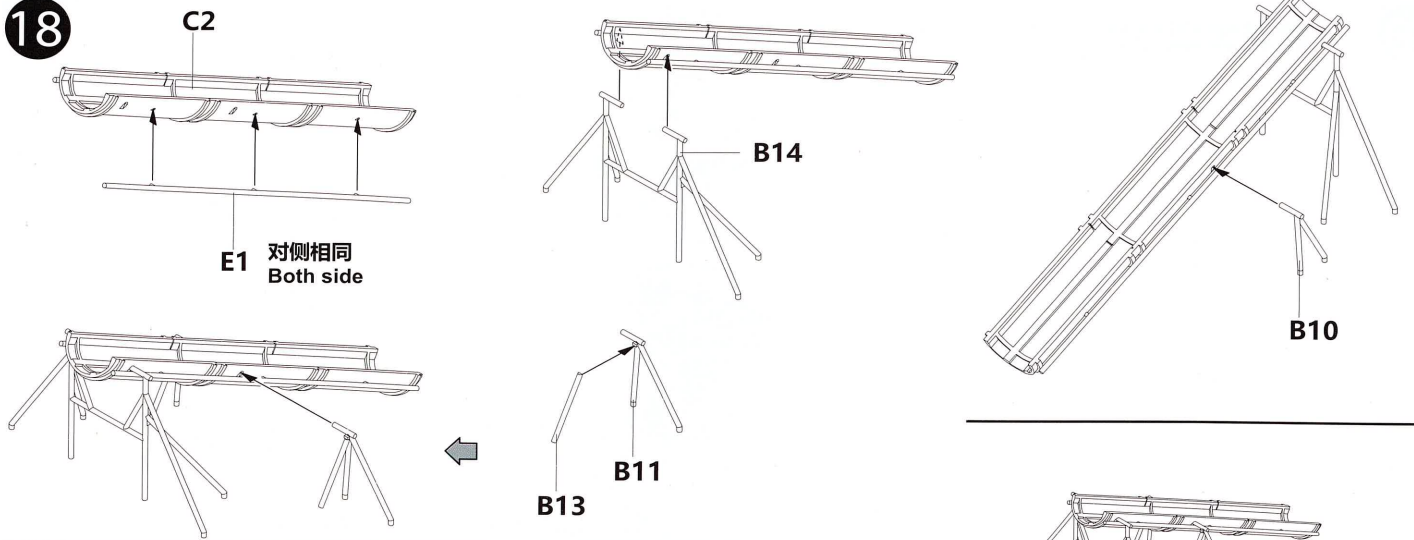


17

航海状态

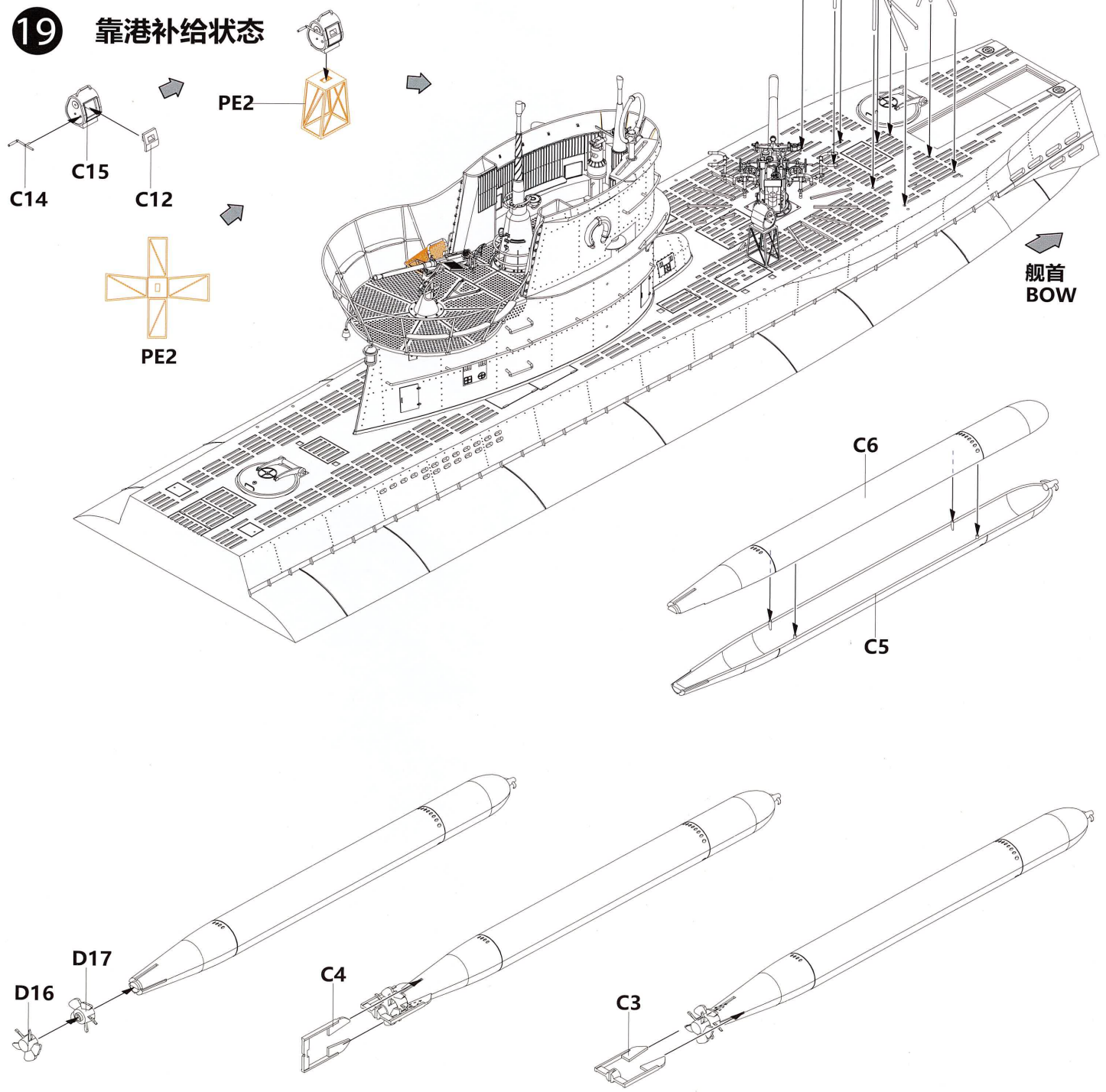


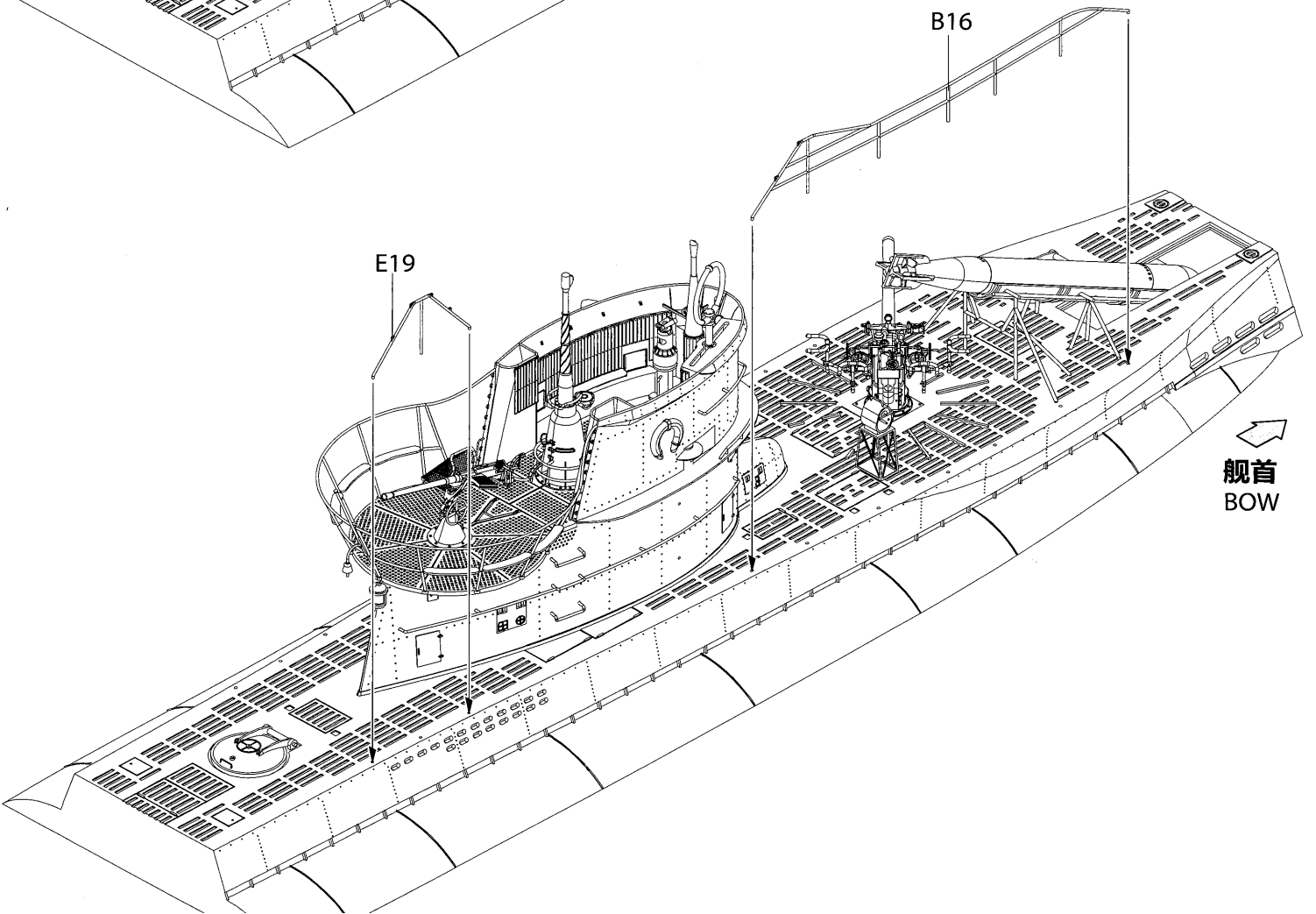
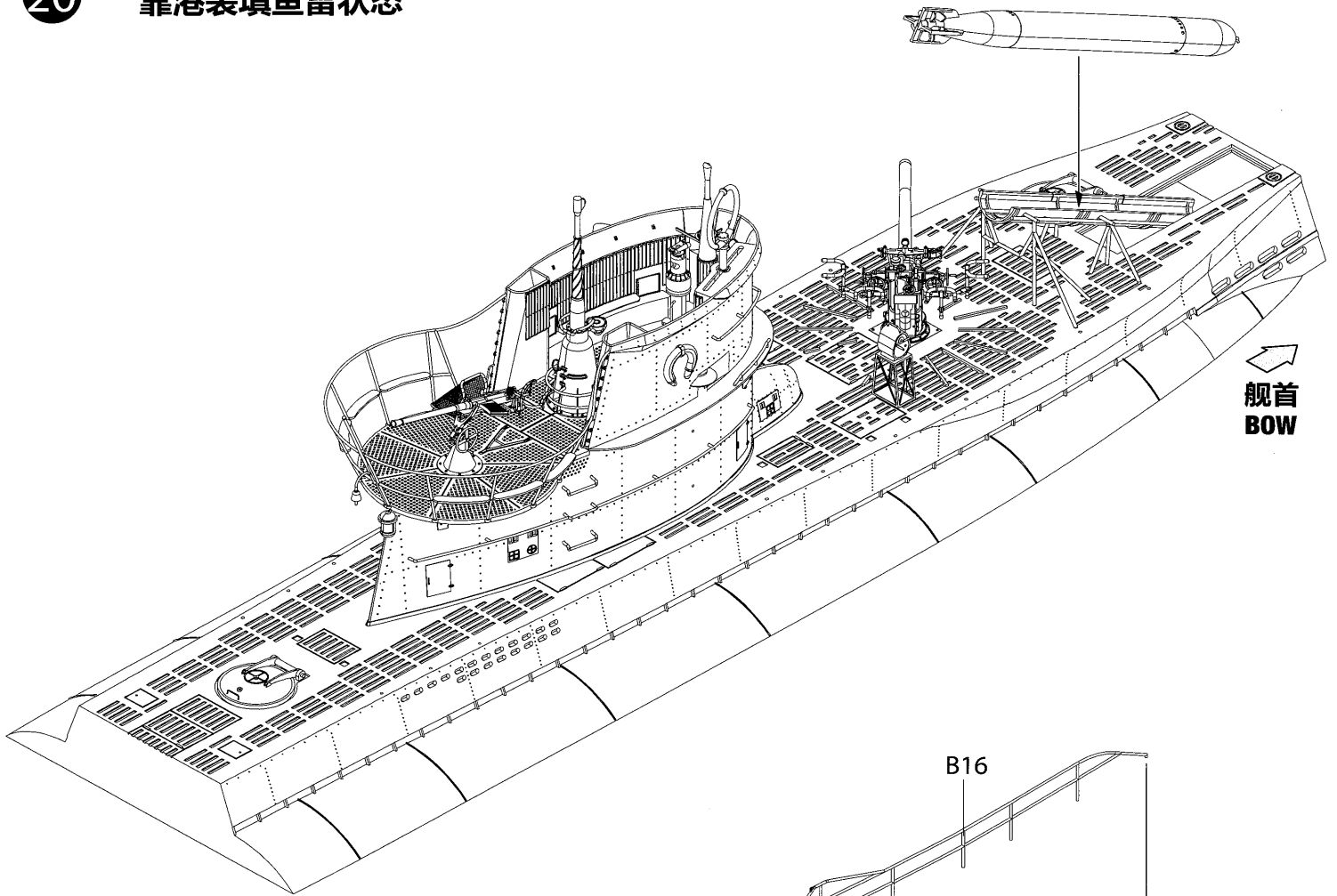
18

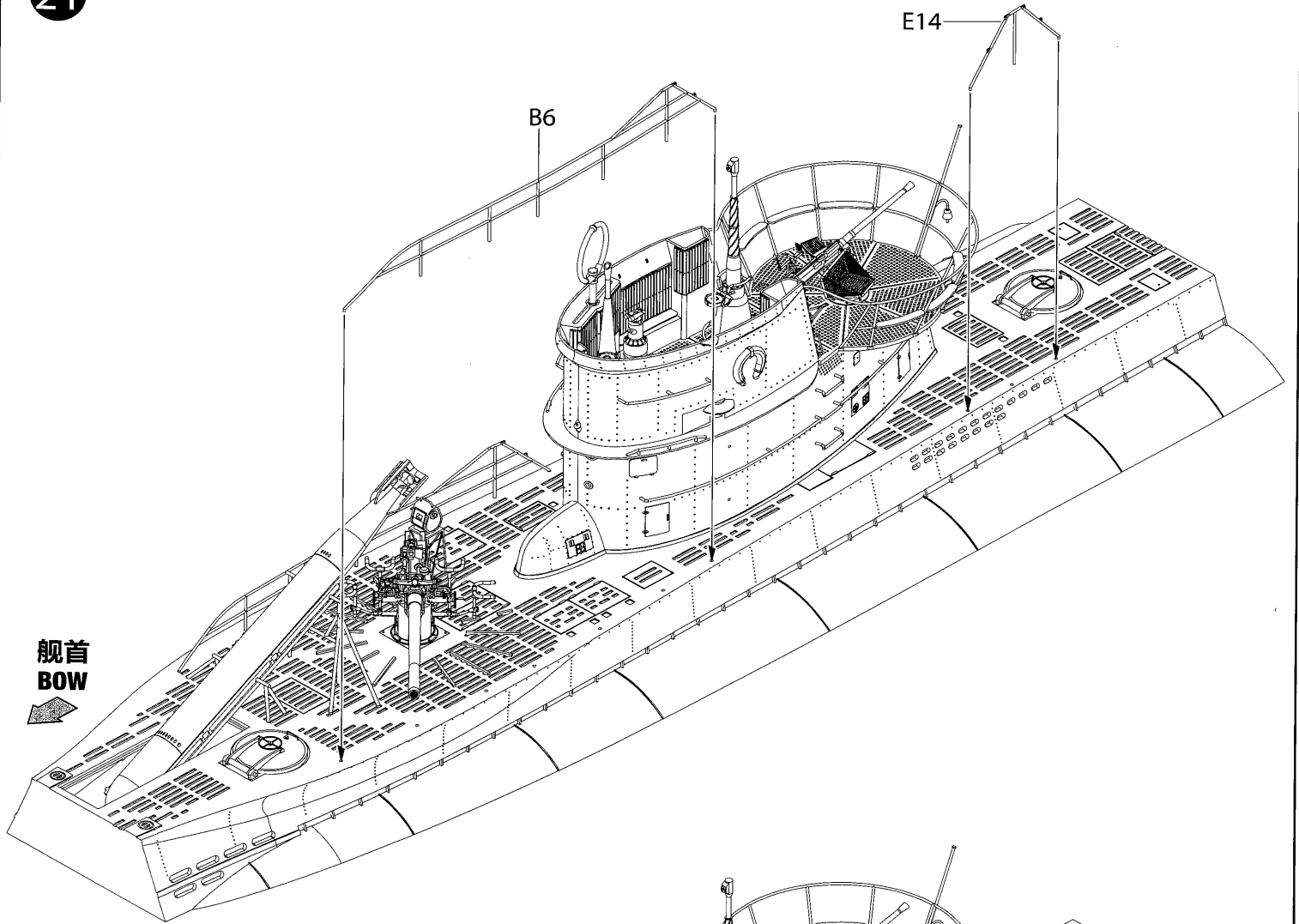


19

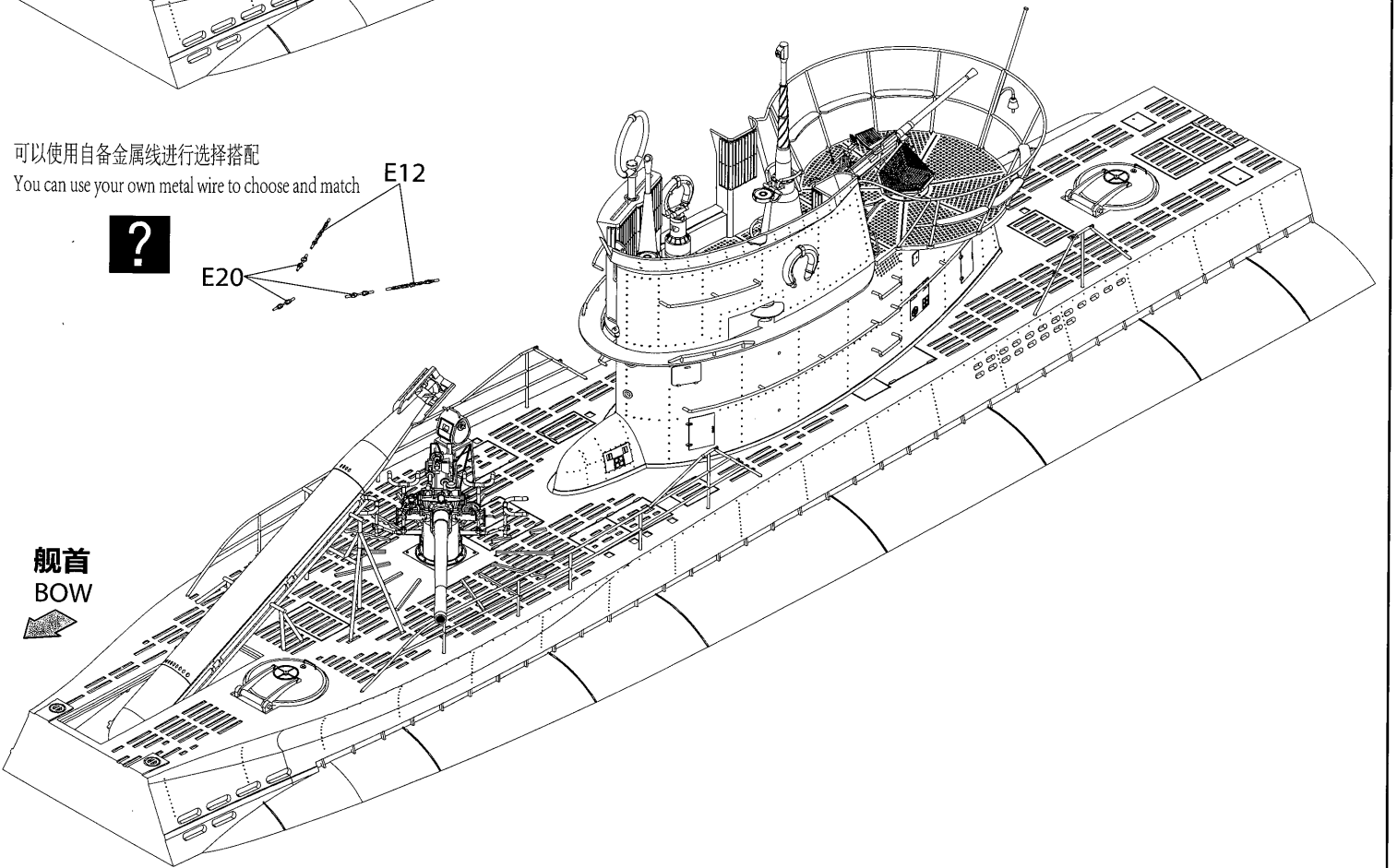
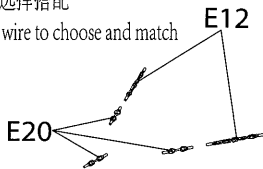
靠港补给状态







可以使用自备金属线进行选择搭配  
 You can use your own metal wire to choose and match

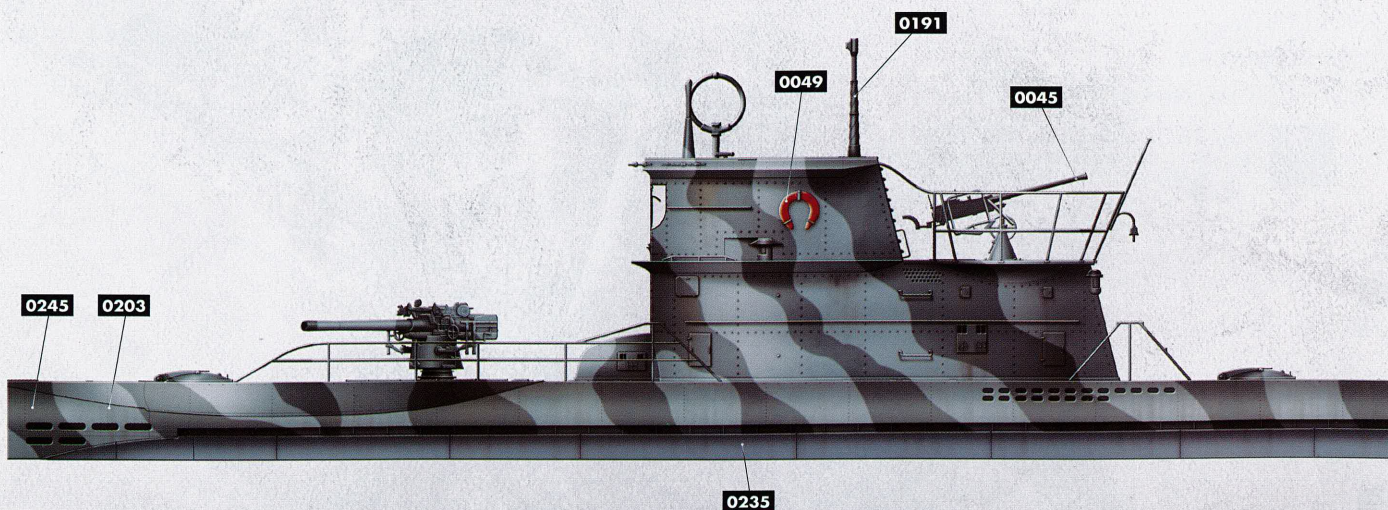
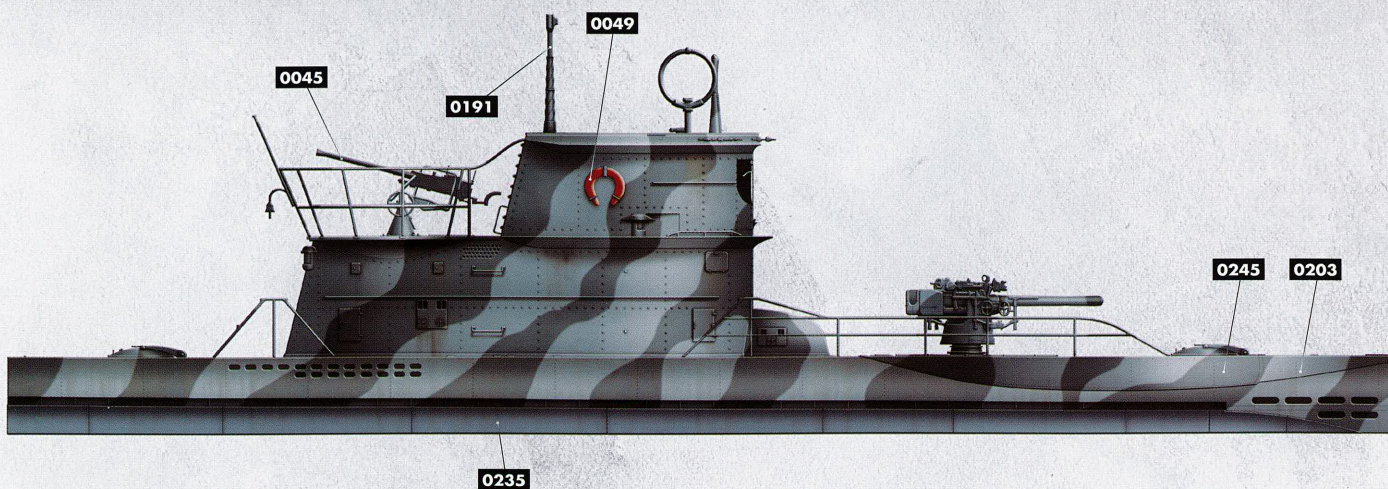


# U-BOAT DKM Type VII-C

## PAINTING AND MARKING GUIDE

**BORDER MODEL REF: BS-001** U-82 Type VII C, Mediterranean service 1942.

 <b>A.MIG-0045</b> Gun Metal	 <b>A.MIG-0049</b> Red	 <b>A.MIG-0191</b> Steel	 <b>A.MIG-0203</b> FS 36375 Light Compass Ghost Gray
 <b>A.MIG-0235</b> FS36152 Dark Grey Amt-12	 <b>A.MIG-0245</b> RLM 78 Hellblau		



### WEATHERING STEPS WITH AMMO PRODUCTS

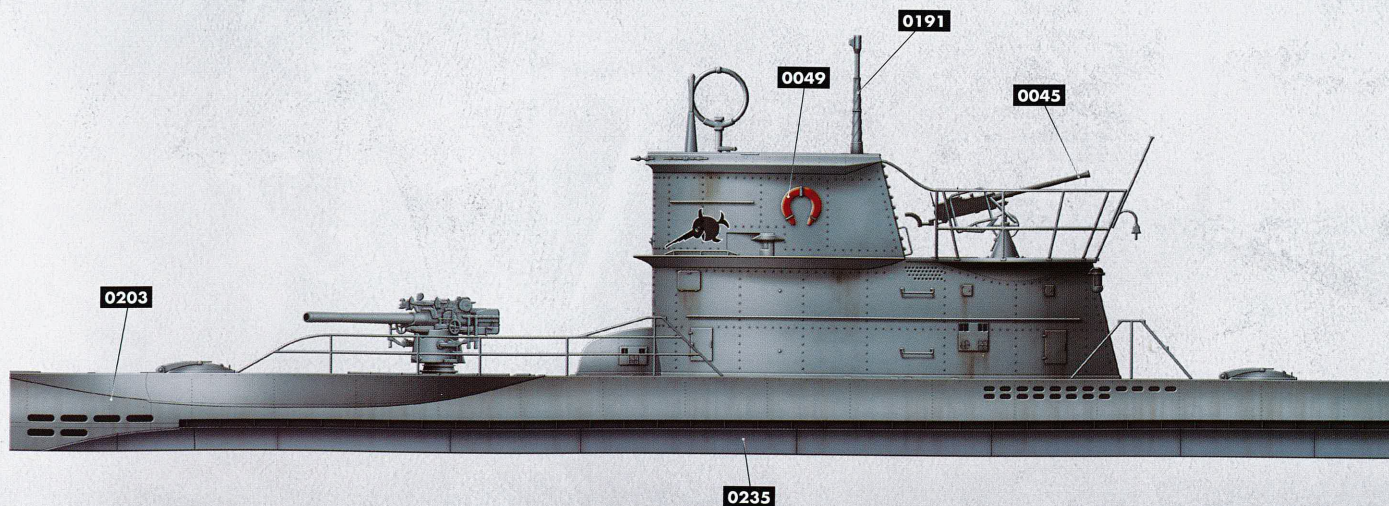
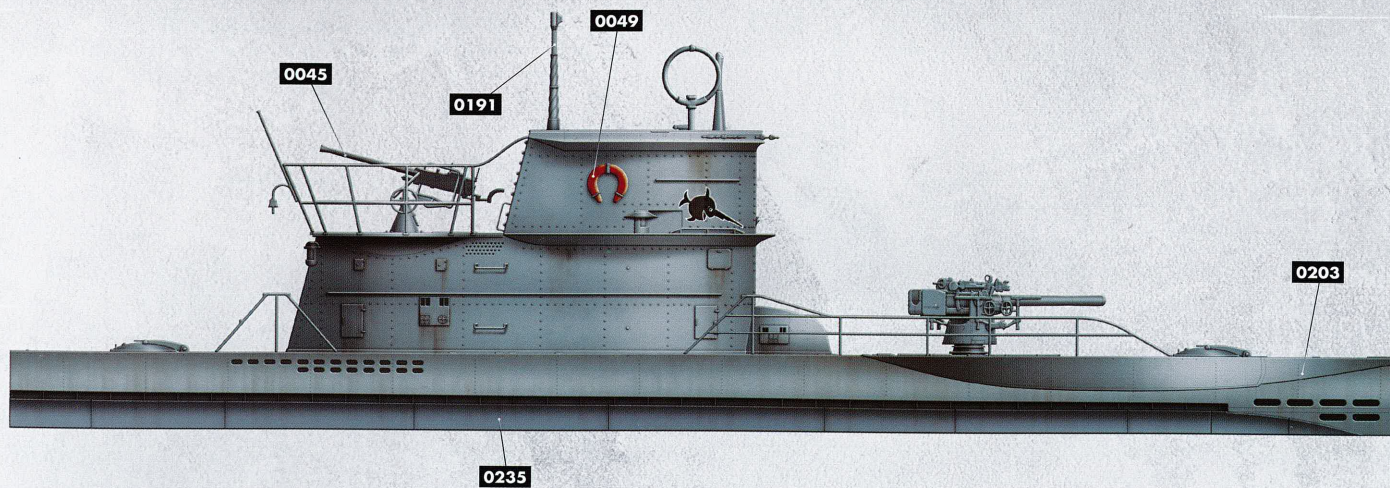
<b>1 GENERAL WASH</b> <b>A.MIG-1010</b> Neutral Wash	<b>3 FILTER</b> <b>A.MIG-1501</b> Grey for White	<b>5 DIRT SHADING</b> <b>A.MIG-0853</b> Dirt Shader	<b>7 STREAKING</b> <b>A.MIG-1254</b> Rust	<b>9 OIL</b> <b>A.MIG-1408</b> Fresh Engine Oil
<b>2 CAMO FADING</b> <b>A.MIG-3509</b> Oilbrusher Medium Grey	<b>4 CAMO SHADING</b> <b>A.MIG-0857</b> Grey Shader	<b>6 DETAILS HIGHLIGHT</b> <b>A.MIG-0601</b> Light Grey	<b>8 FUEL</b> <b>A.MIG-1409</b> Fuel Stains	

# U-BOAT DKM Type VII-C

## PAINTING AND MARKING GUIDE

**BORDER MODEL REF: BS-001** U-96 . Type VII C . Saint Nazaire on March 23, 1942.

-  **A.MIG-0045** Gun Metal
-  **A.MIG-0049** Red
-  **A.MIG-0191** Steel
-  **A.MIG-0203** FS 36375 Light Compass Ghost Gray
-  **A.MIG-0235** FS36152 Dark Grey Amt-12



### WEATHERING STEPS WITH AMMO PRODUCTS

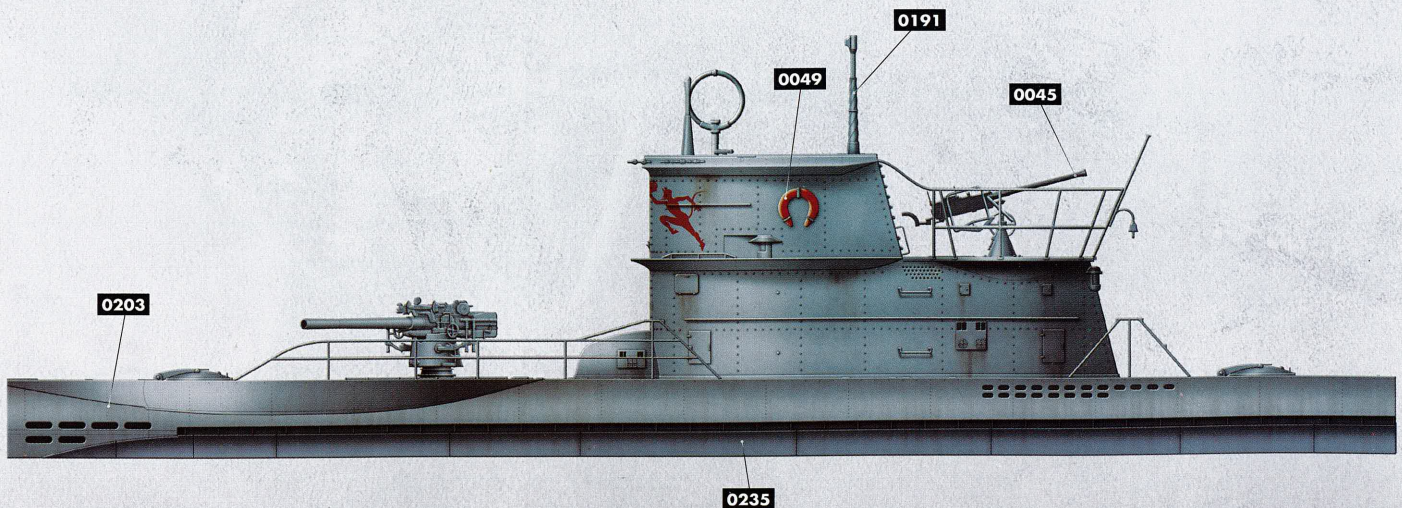
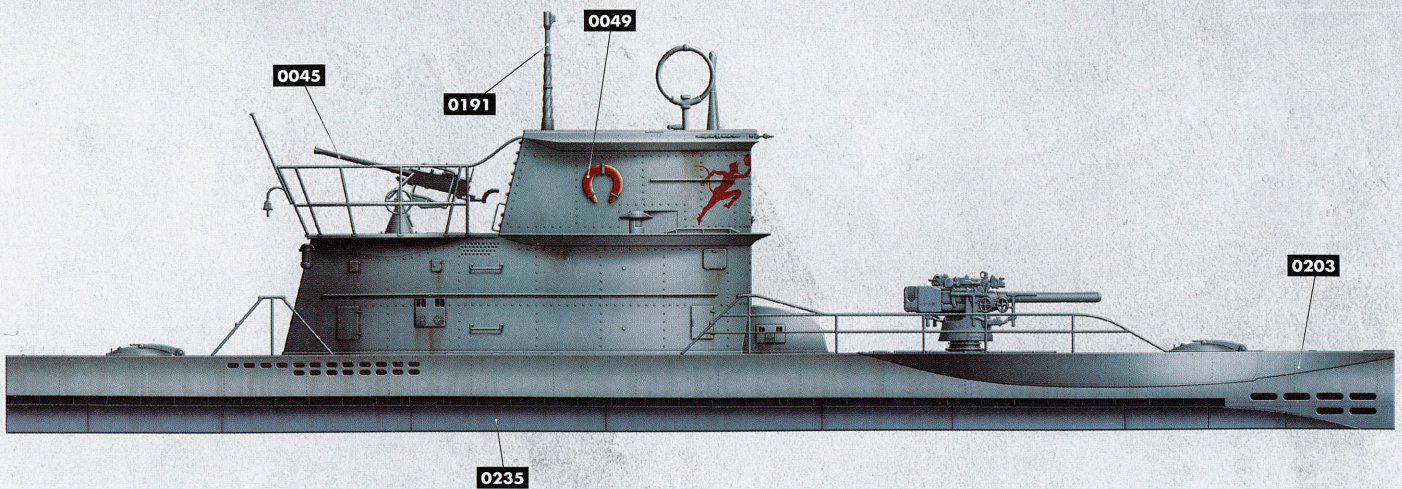
- |  |  |  |  |
|--|--|--|--|
| <b>1 GENERAL WASH</b><br><b>A.MIG-1010</b> Neutral Wash          | <b>3 FILTER</b><br><b>A.MIG-1501</b> Grey for White    | <b>5 DIRT SHADING</b><br><b>A.MIG-0853</b> Dirt Shader     | <b>7 STREAKING</b><br><b>A.MIG-1254</b> Rust       |
| <b>2 CAMO FADING</b><br><b>A.MIG-3509</b> Oilbrusher Medium Grey | <b>4 CAMO SHADING</b><br><b>A.MIG-0857</b> Grey Shader | <b>6 DETAILS HIGHLIGHT</b><br><b>A.MIG-0601</b> Light Grey | <b>9 OIL</b><br><b>A.MIG-1408</b> Fresh Engine Oil |
|  |  |  | <b>8 FUEL</b><br><b>A.MIG-1409</b> Fuel Stains     |

# U-BOAT DKM Type VII-C

## PAINTING AND MARKING GUIDE

**BORDER MODEL REF: BS-001** U 552, Type VII C, North Atlantic, 1942.

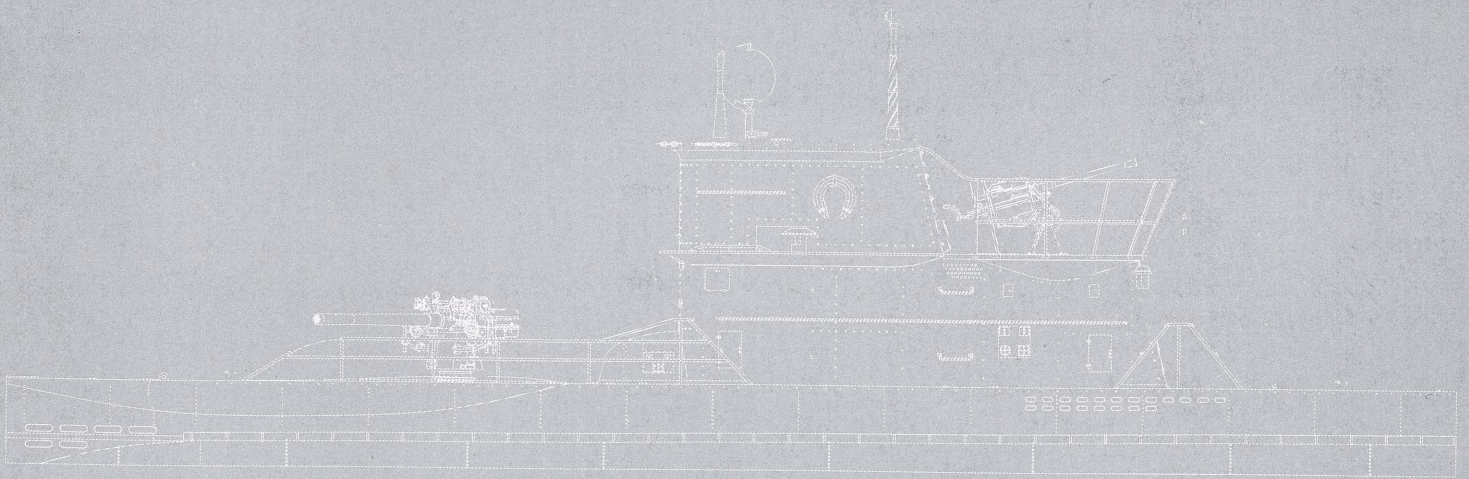
 <b>A.MIG-0045</b> Gun Metal	 <b>A.MIG-0049</b> Red	 <b>A.MIG-0191</b> Steel	 <b>A.MIG-0203</b> FS 36375 Light Compass Ghost Gray
 <b>A.MIG-0235</b> FS36152 Dark Grey Amt-12			



### WEATHERING STEPS WITH AMMO PRODUCTS

<b>1 GENERAL WASH</b> <b>A.MIG-1010</b> Neutral Wash	<b>3 FILTER</b> <b>A.MIG-1501</b> Grey for White	<b>5 DIRT SHADING</b> <b>A.MIG-0853</b> Dirt Shader	<b>7 STREAKING</b> <b>A.MIG-1254</b> Rust	<b>9 OIL</b> <b>A.MIG-1408</b> Fresh Engine Oil
<b>2 CAMO FADING</b> <b>A.MIG-3509</b> Oilbrusher Medium Grey	<b>4 CAMO SHADING</b> <b>A.MIG-0857</b> Grey Shader	<b>6 DETAILS HIGHLIGHT</b> <b>A.MIG-0601</b> Light Grey	<b>8 FUEL</b> <b>A.MIG-1409</b> Fuel Stains	

**Border**



[WWW.BORDERMODEL.COM](http://WWW.BORDERMODEL.COM)