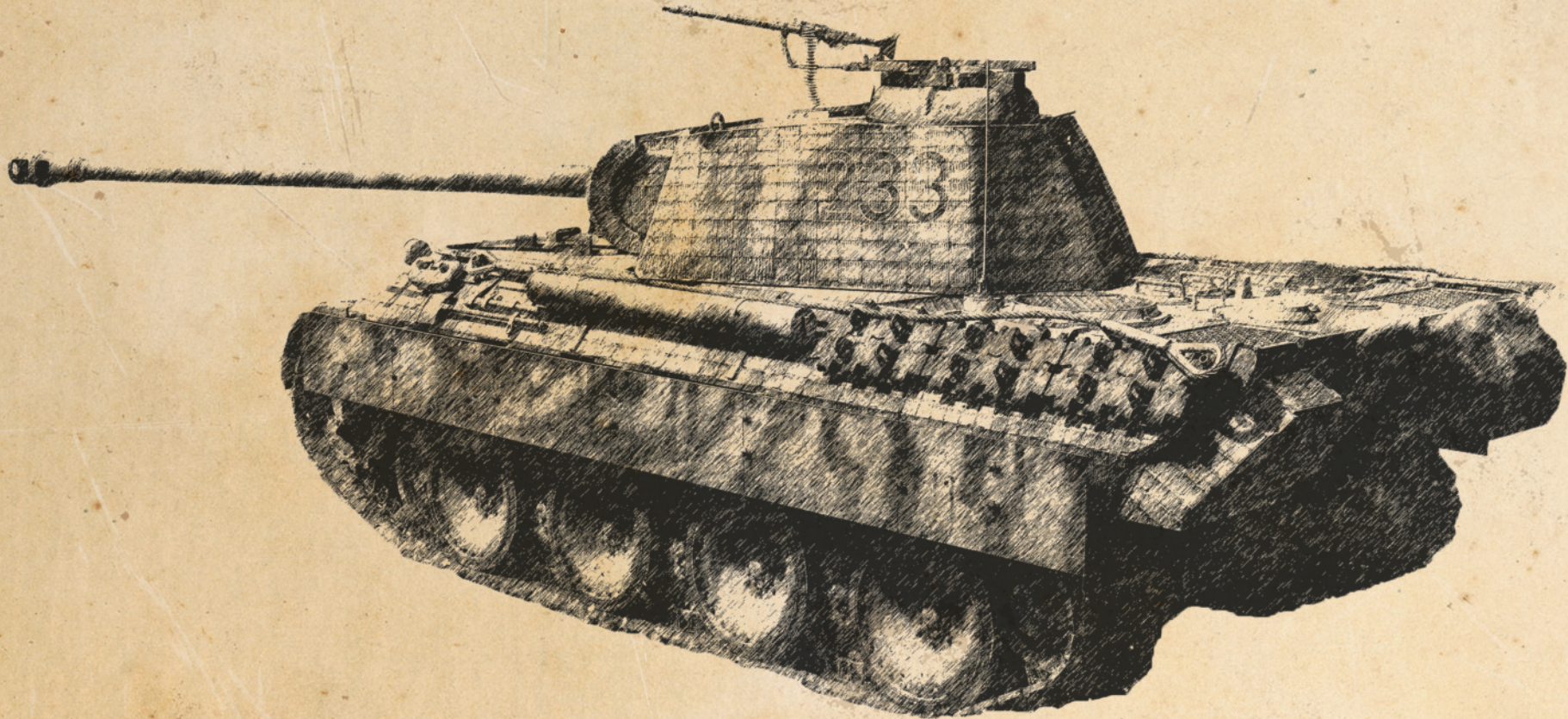


1:35 Scale Model Kit

# Panzerkampfwagen V Panther Ausf.A early



In cooperation  
with:



**Vor dem Zusammenbau lesen!**

**DW35009**

# READ BEFORE ASSEMBLY

## CAUTION

- Read carefully and fully understand the instructions before commencing assembly. A supervising adult should also read the instructions if a child assembles the model.
- When assembling this kit, tools including knives used. Extra care should be taken to avoid personal injury.
- Keep out of reach of small children. Children must not be allowed to suck any part, or pull vinyl bag over their heads.



Optional



Fill Holes



Be Careful



Remove



Drill



Instant Glue  
for Metal

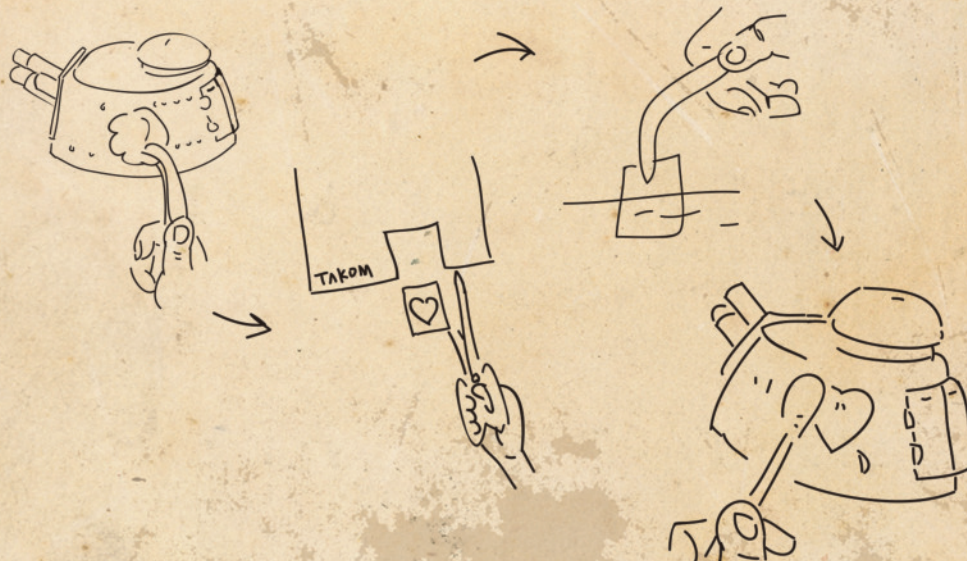
## PAINTS REQUIRED

Color info and profiles by Mig Jimenez

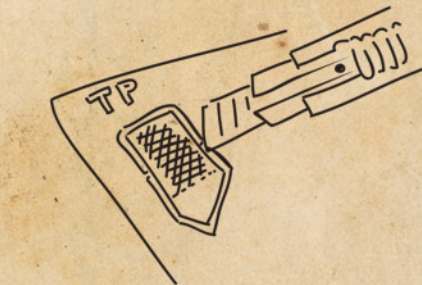
|           |                    |           |             |           |                         |           |                |
|-----------|--------------------|-----------|-------------|-----------|-------------------------|-----------|----------------|
| A.MIG 033 | Rubber & Tires     | A.MIG 035 | Dark Tracks | A.MIG 036 | Old Wood                | A.MIG 038 | Old Wood       |
| A.MIG 045 | Gun Metal          | A.MIG 040 | Medium Rust | A.MIG 093 | Crystal Red             | A.MIG 002 | Olivgrun Opt.2 |
| A.MIG 010 | Dunkelgelb Mid war | A.MIG 046 | Cremeweiss  | A.MIG 024 | Washable White Camo     | A.MIG 017 | Matt Black     |
| A.MIG 192 | Polished Metal     | A.MIG 032 | Satin Black | A.MIG 014 | Rotbraun                | A.MIG 042 | Old Rust       |
| A.MIG 008 | Dunkelgrau         | A.MIG 101 | Dunkelgelb  | A.MIG 190 | Old Brass               | A.MIG 015 | Schokobraun    |
| A.MIG 194 | Matt Aluminum      | A.MIG 218 | Schwarzgrau | A.MIG 096 | Crystal Periscope Green |           |                |

## APPLYING DECALS

1. Clean the model surface with a wet cloth.
2. Cut out each decal design from sheet, and dip it in tepid water for 15~20 sec.
3. Hold the backing sheet edge and slide decal onto the model.
4. Move decal into position by wetting decal with finger.
5. Press decal gently down with a soft cloth until excess water and air bubbles are gone.



## REMOVING PE



Be careful not to hurt when removing PE parts.

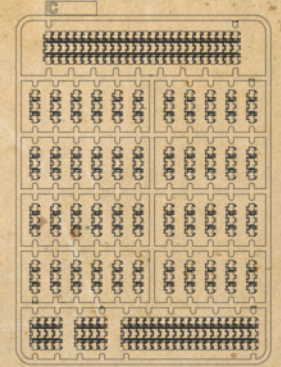
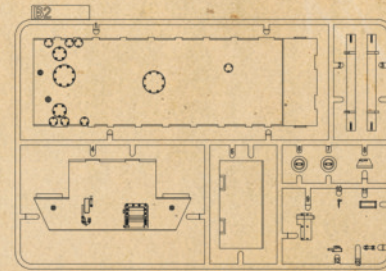
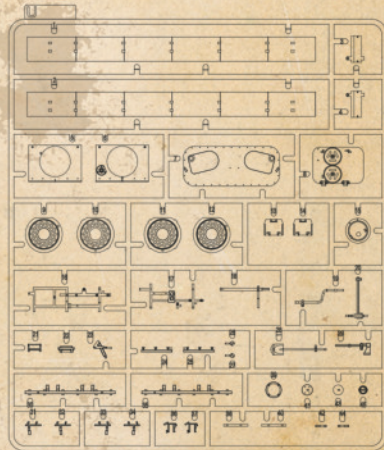
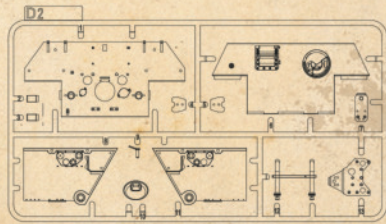
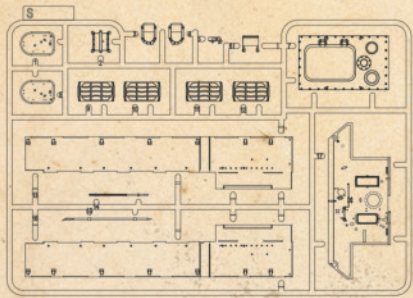


Secure using instant glue (not included).

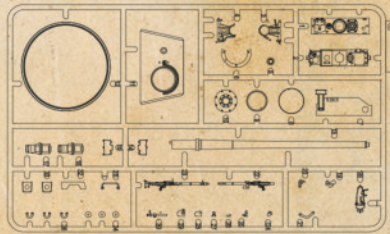
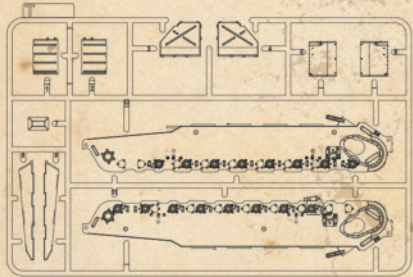


Finish using file.

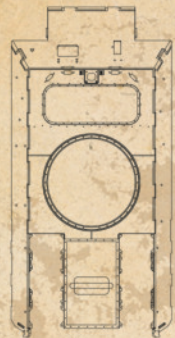
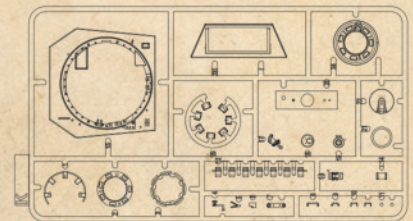
# PARTS



X2



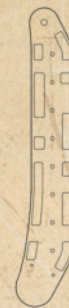
X2



Upper Hull



Z1



Z2



Turret



TP

Cable

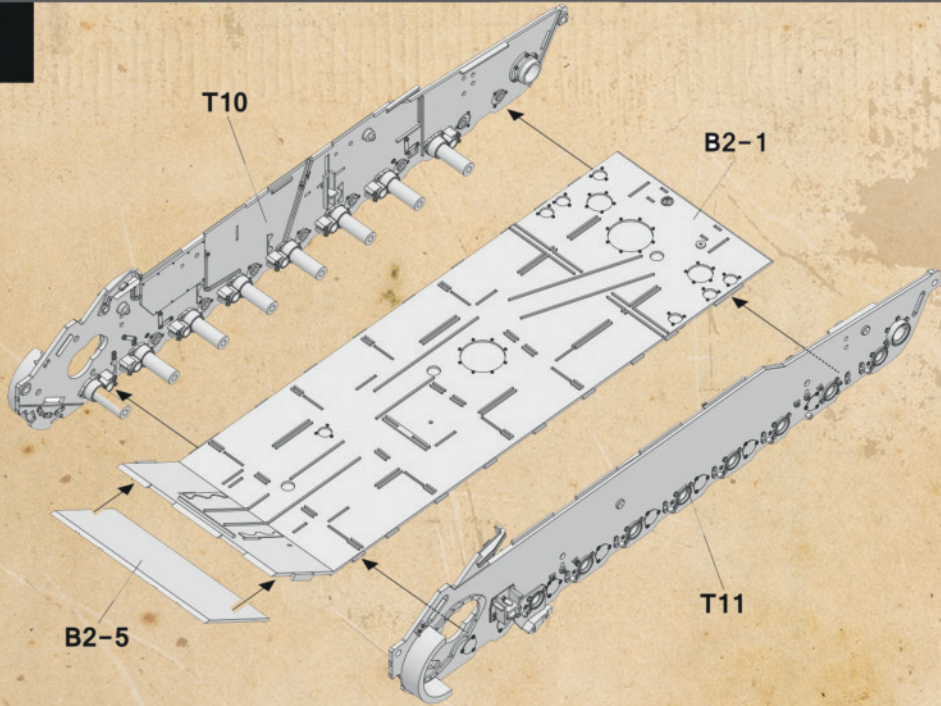


Decal

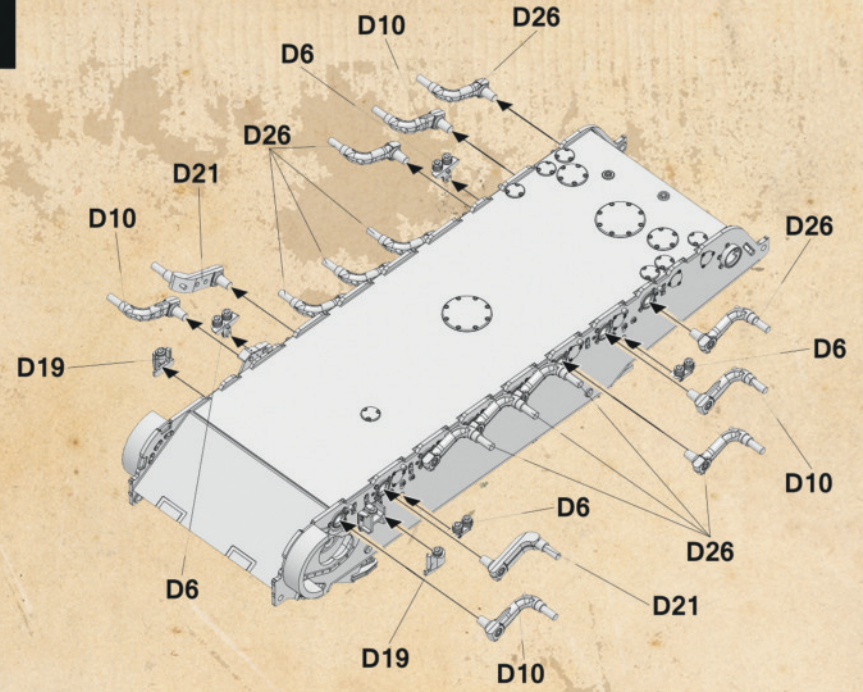
X2

X2

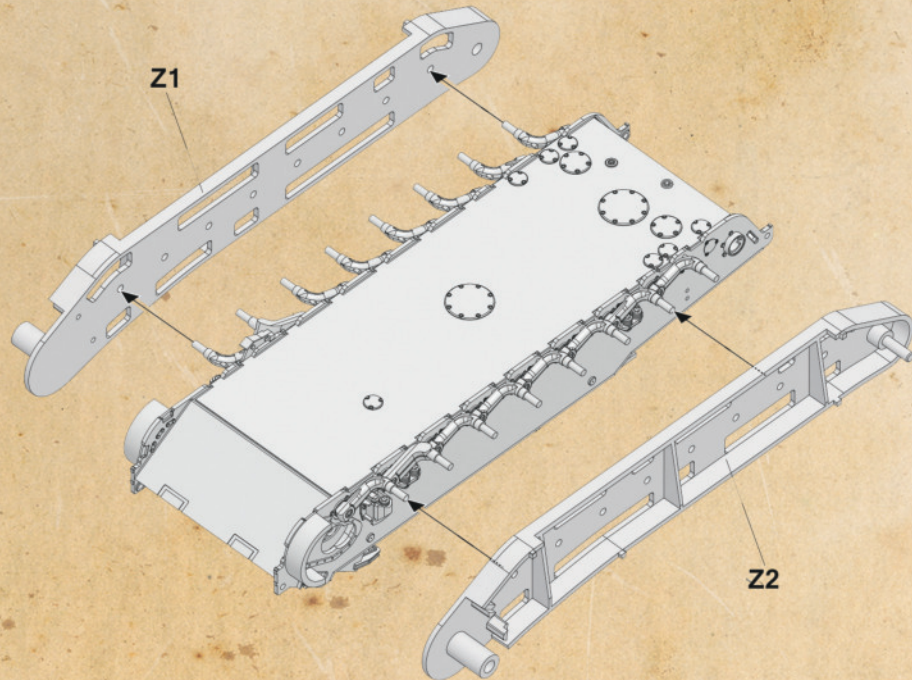
1



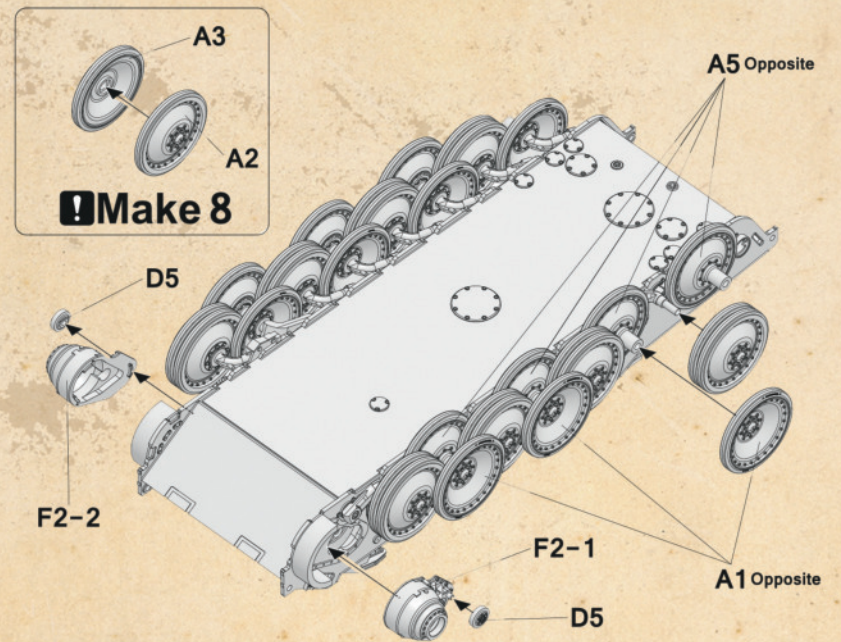
2



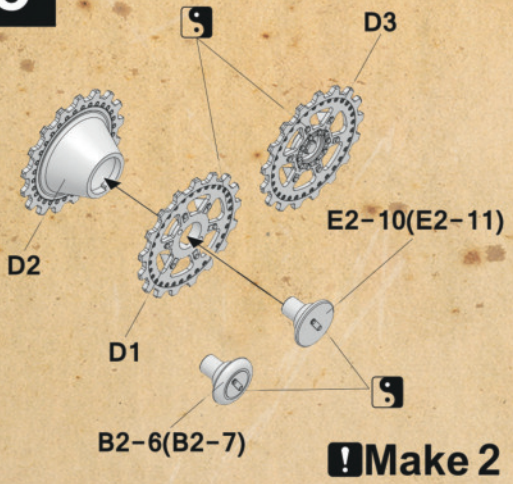
3



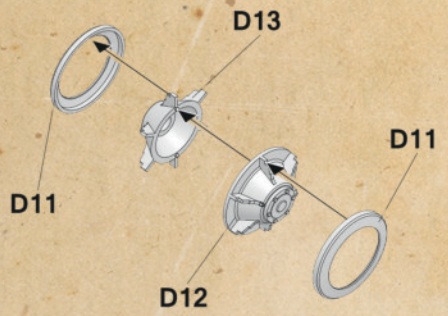
4



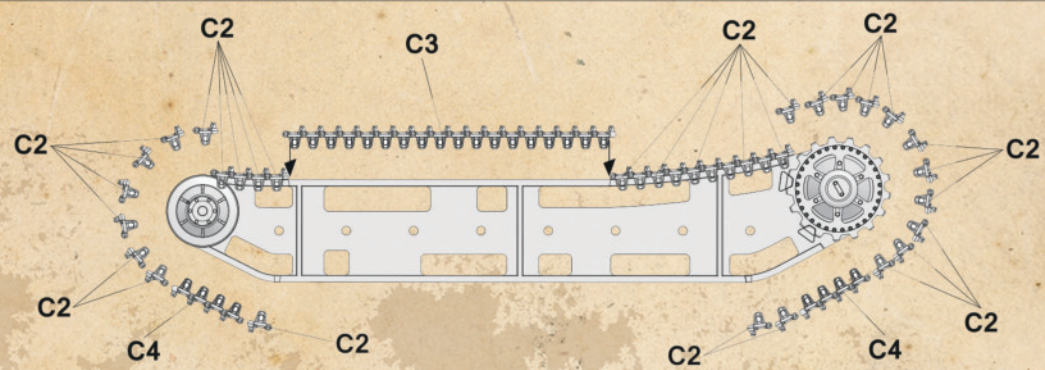
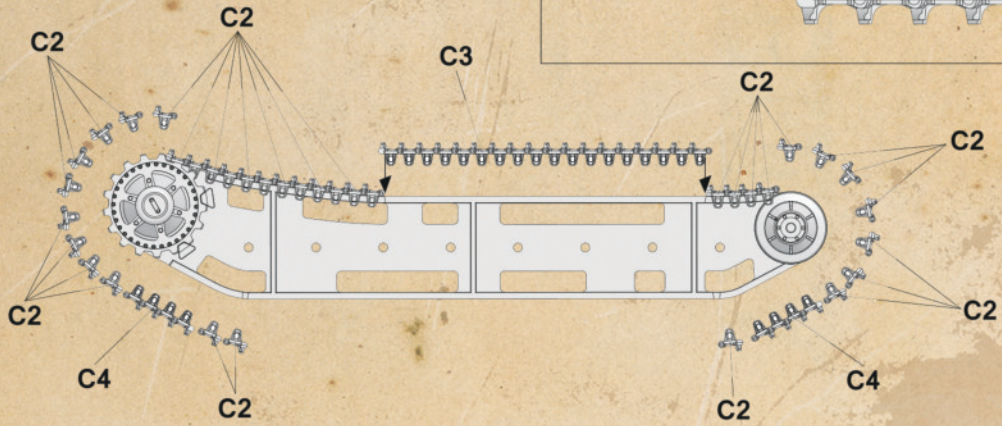
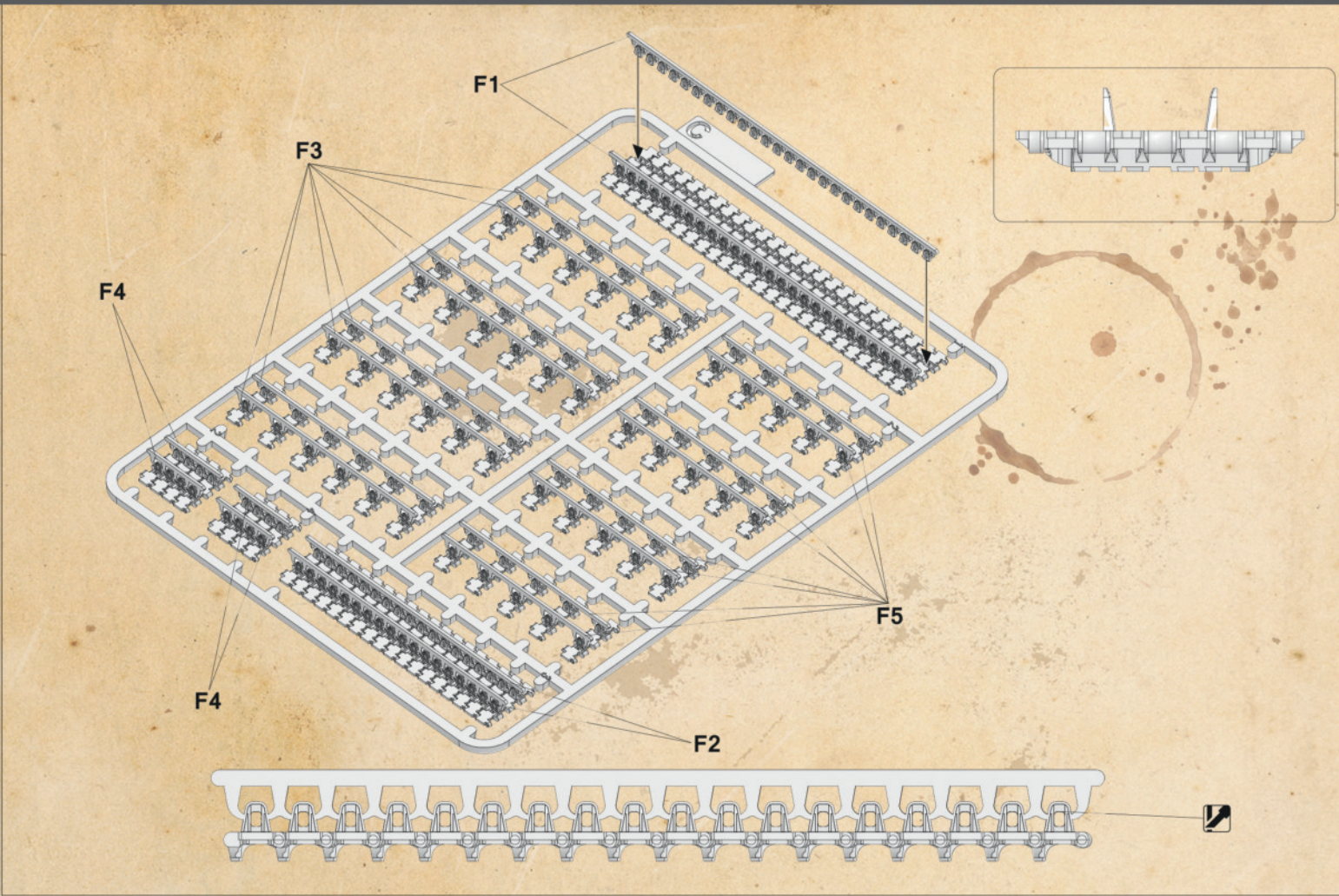
5



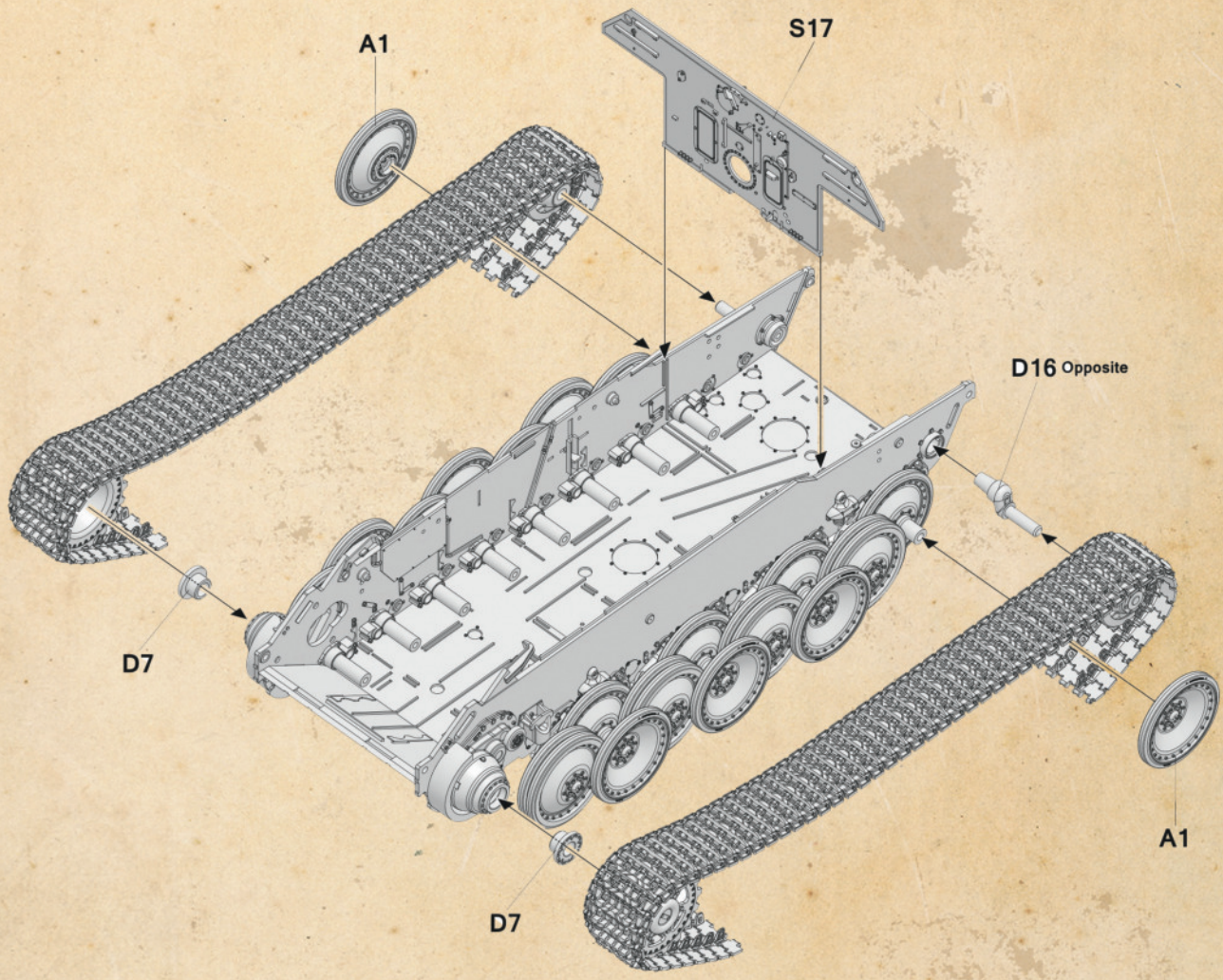
Make 2



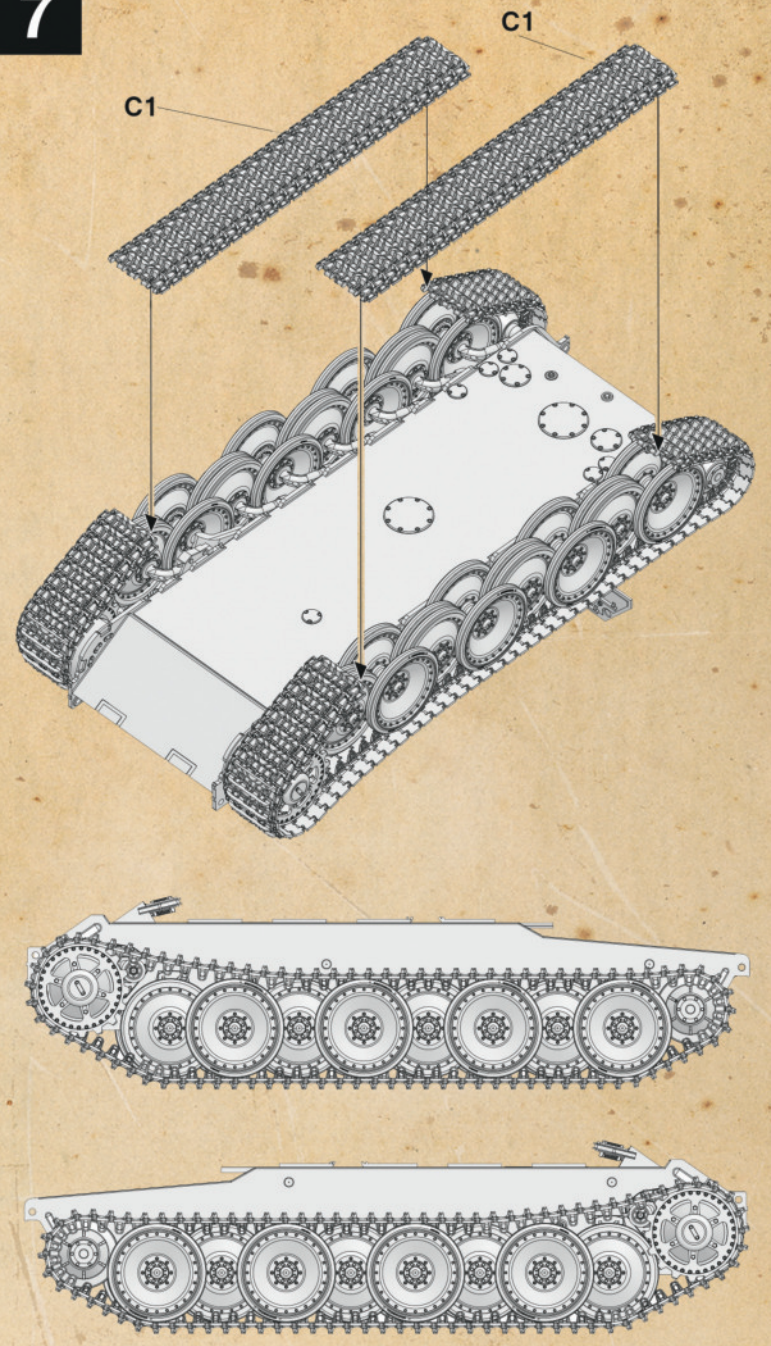
Make 2



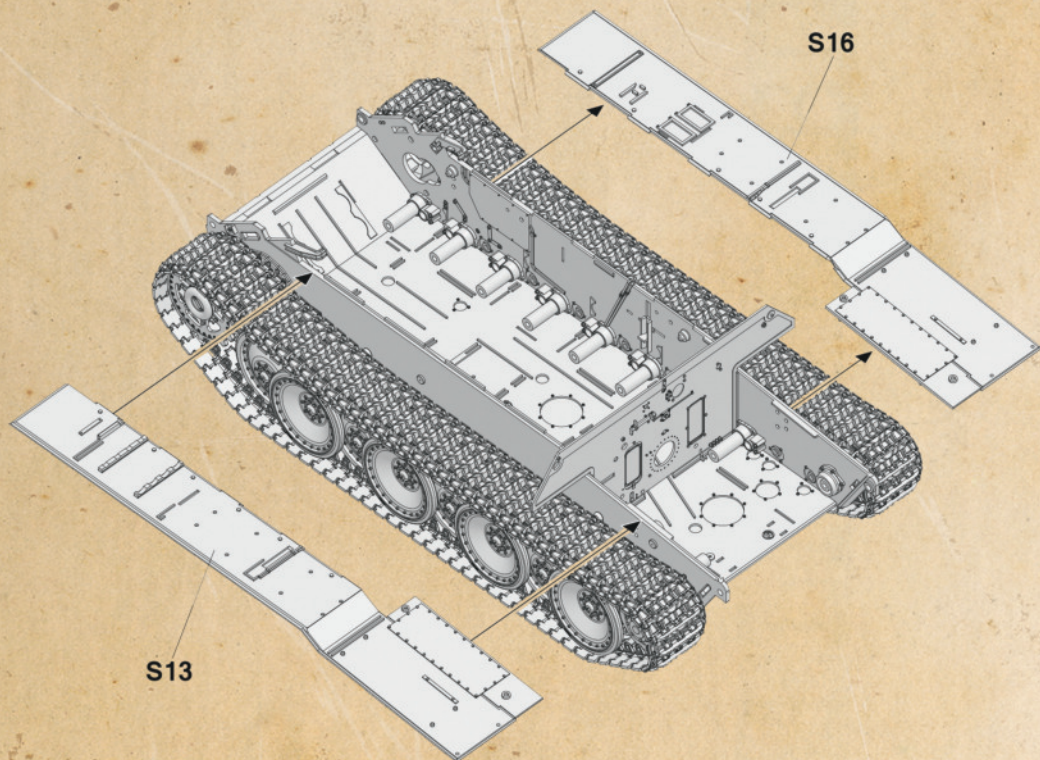
6



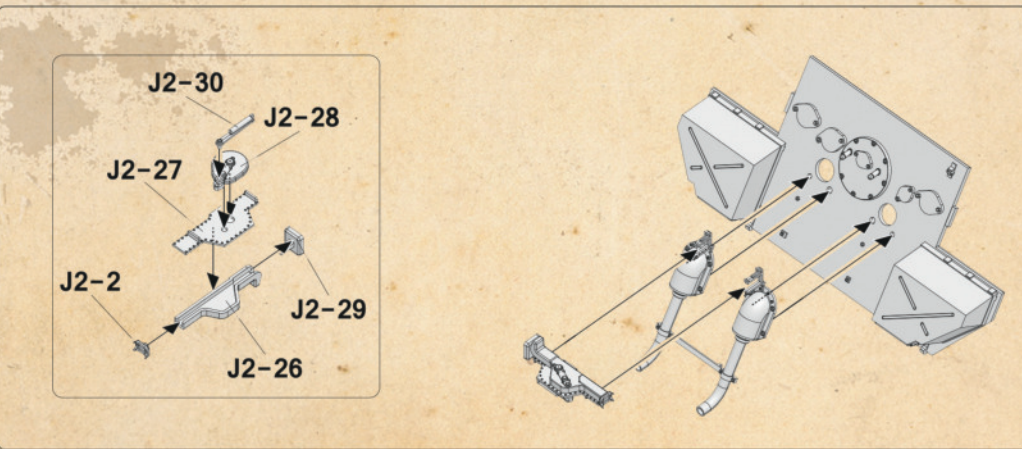
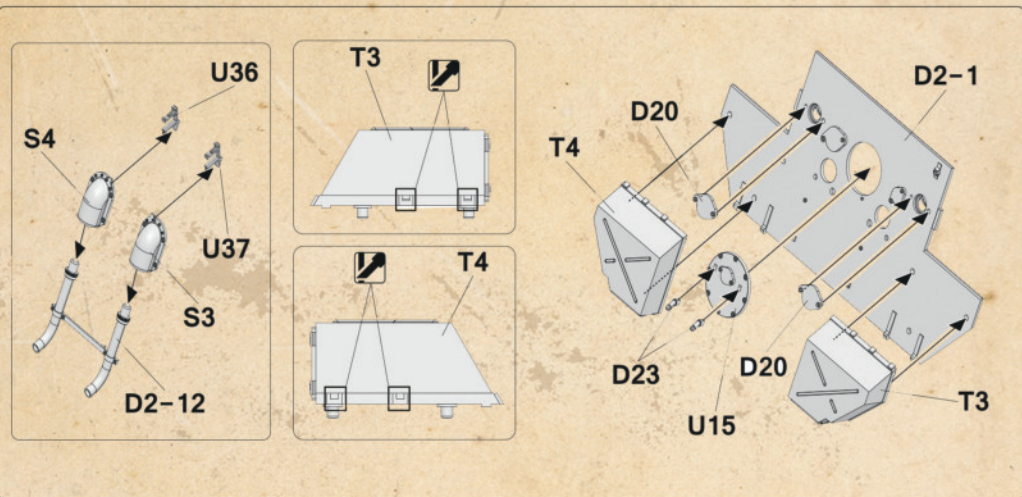
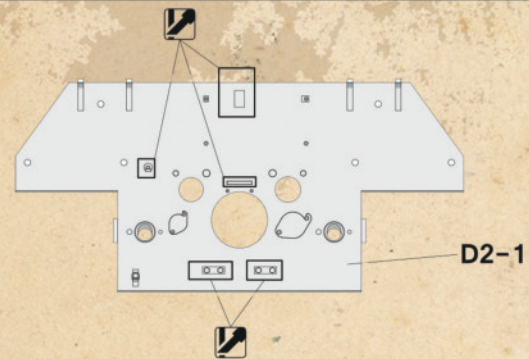
7



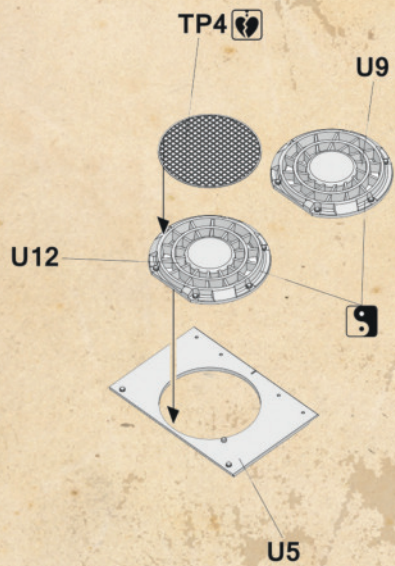
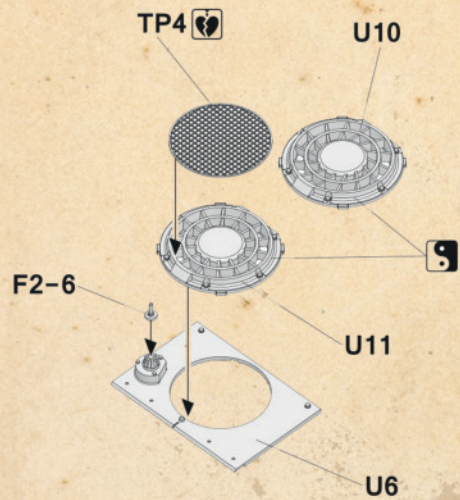
8



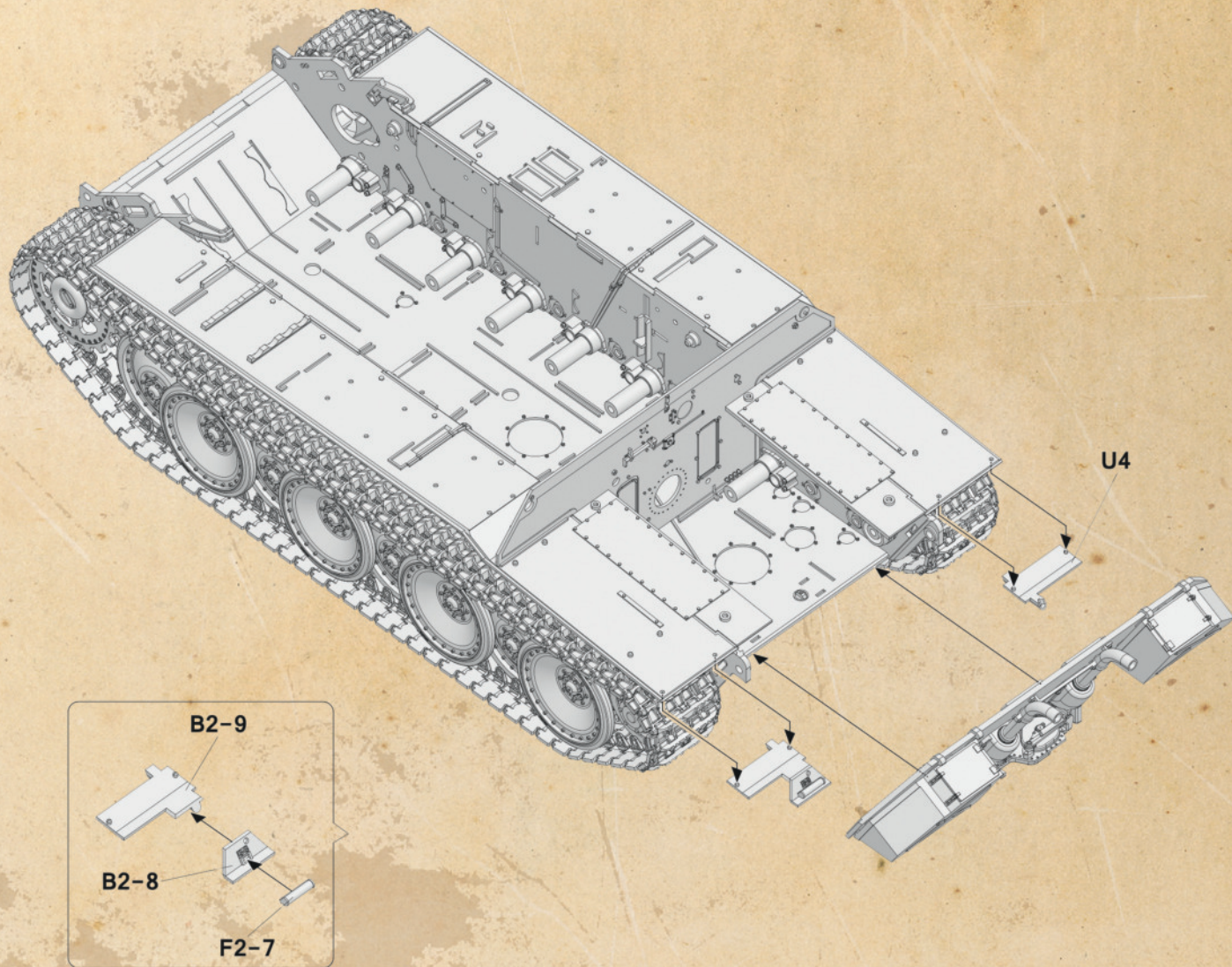
9

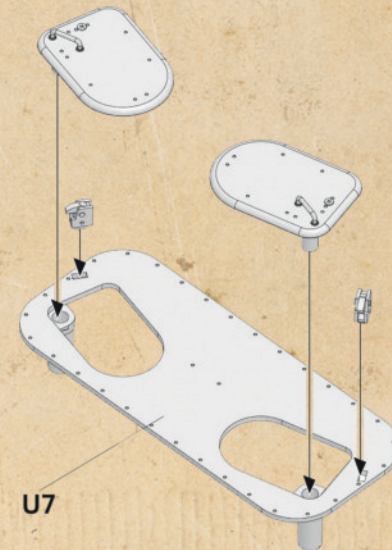
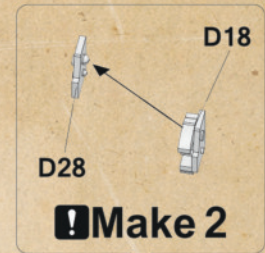
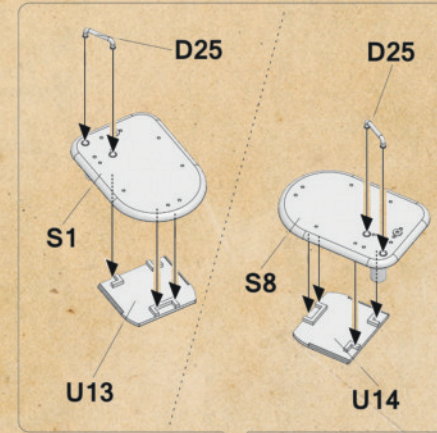
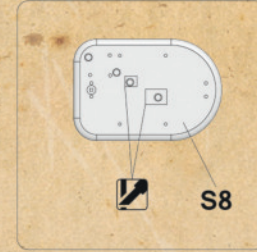
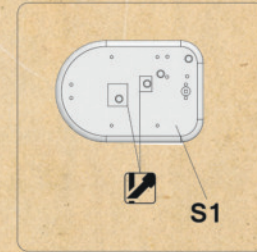
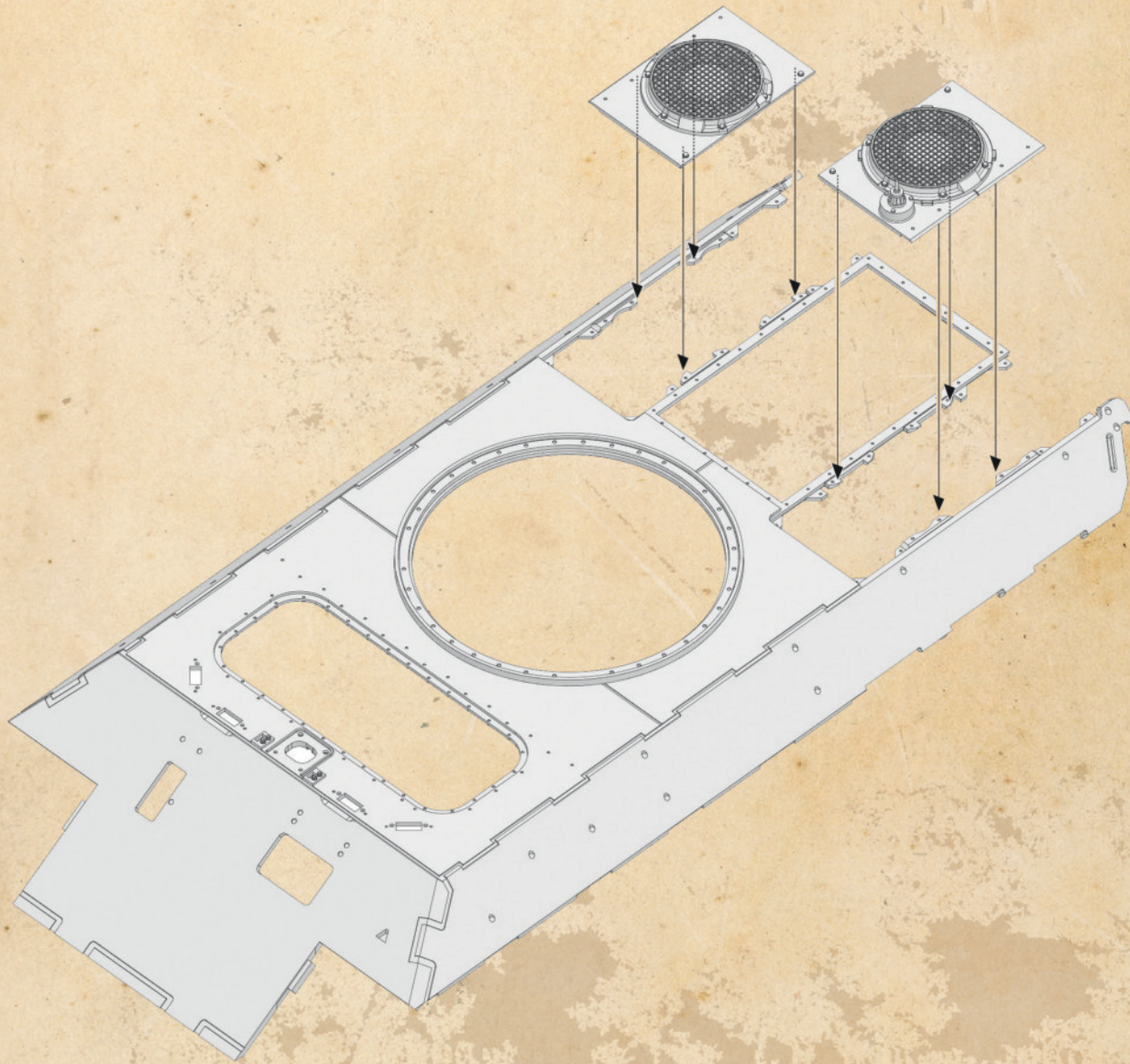


10

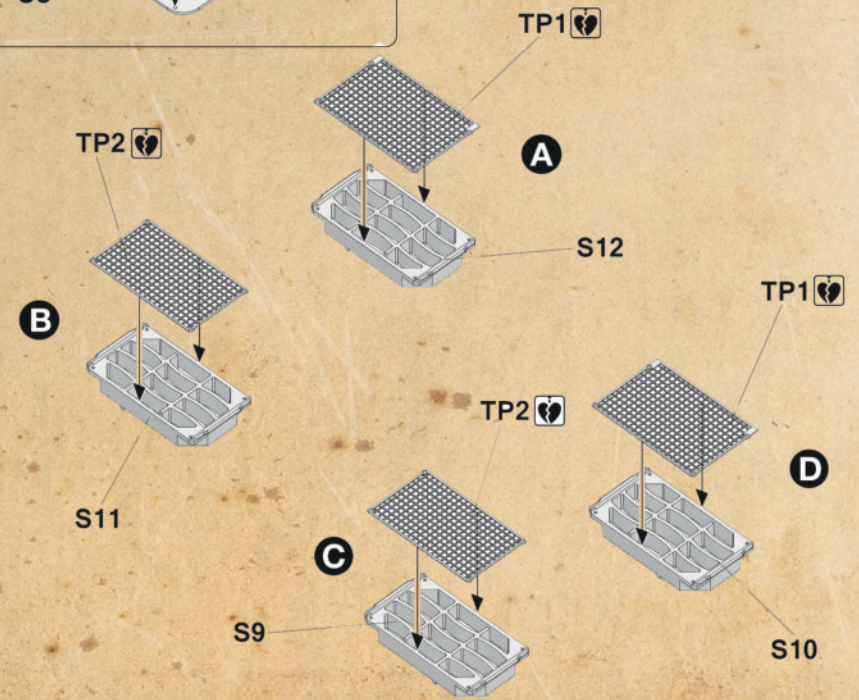
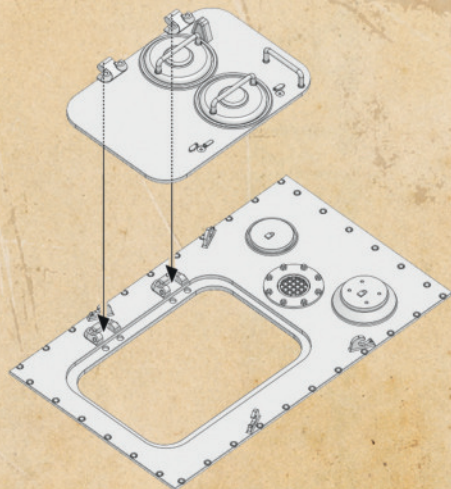
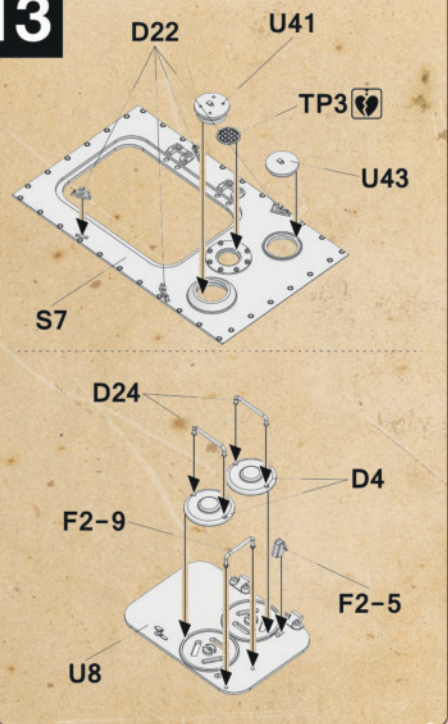


11

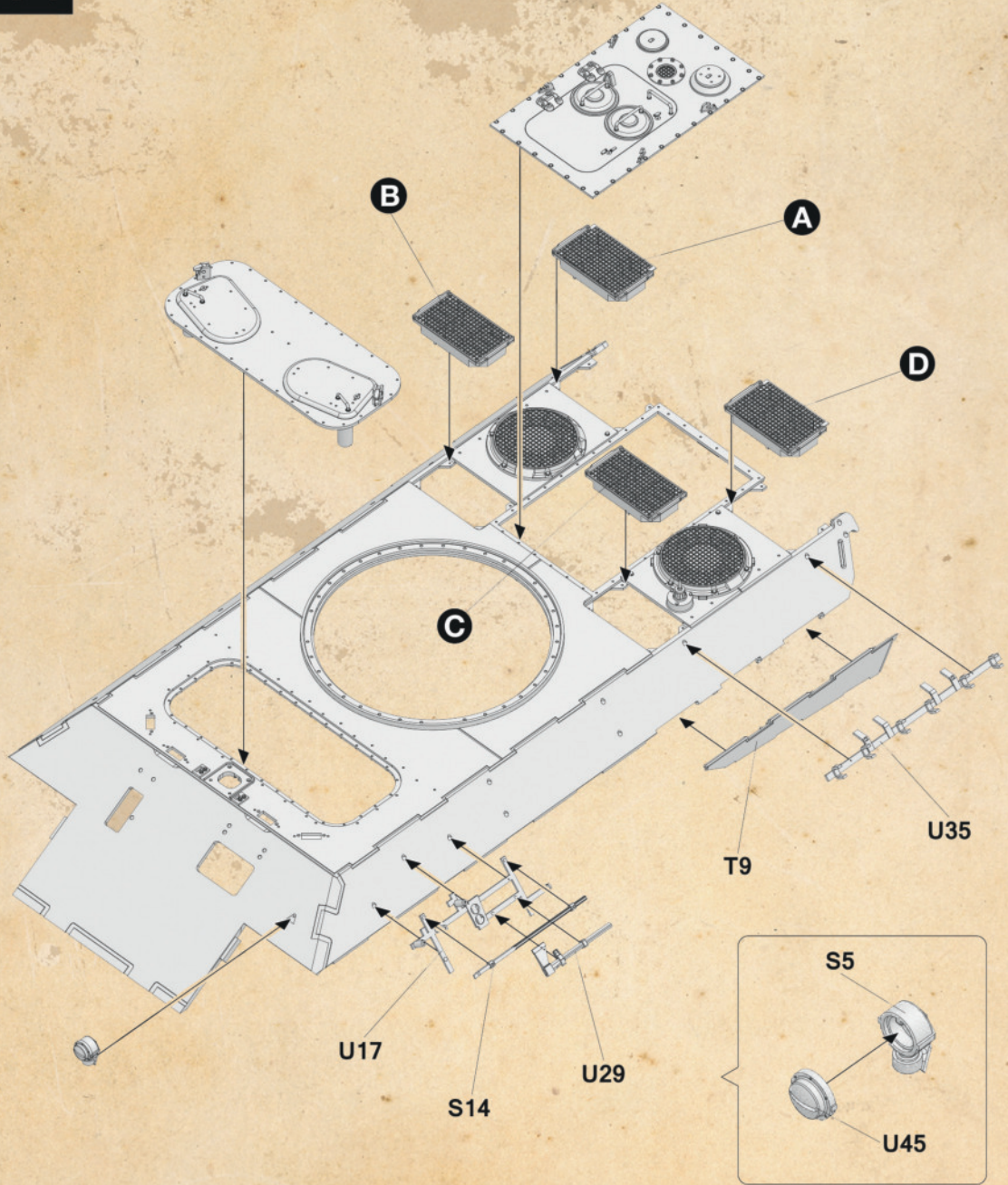




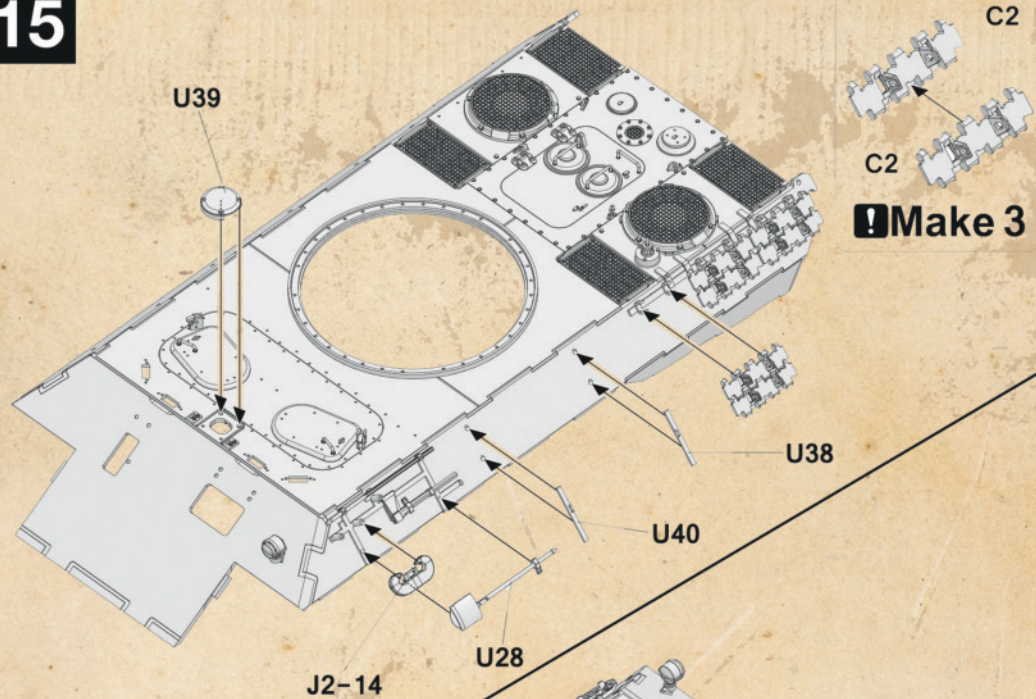
13



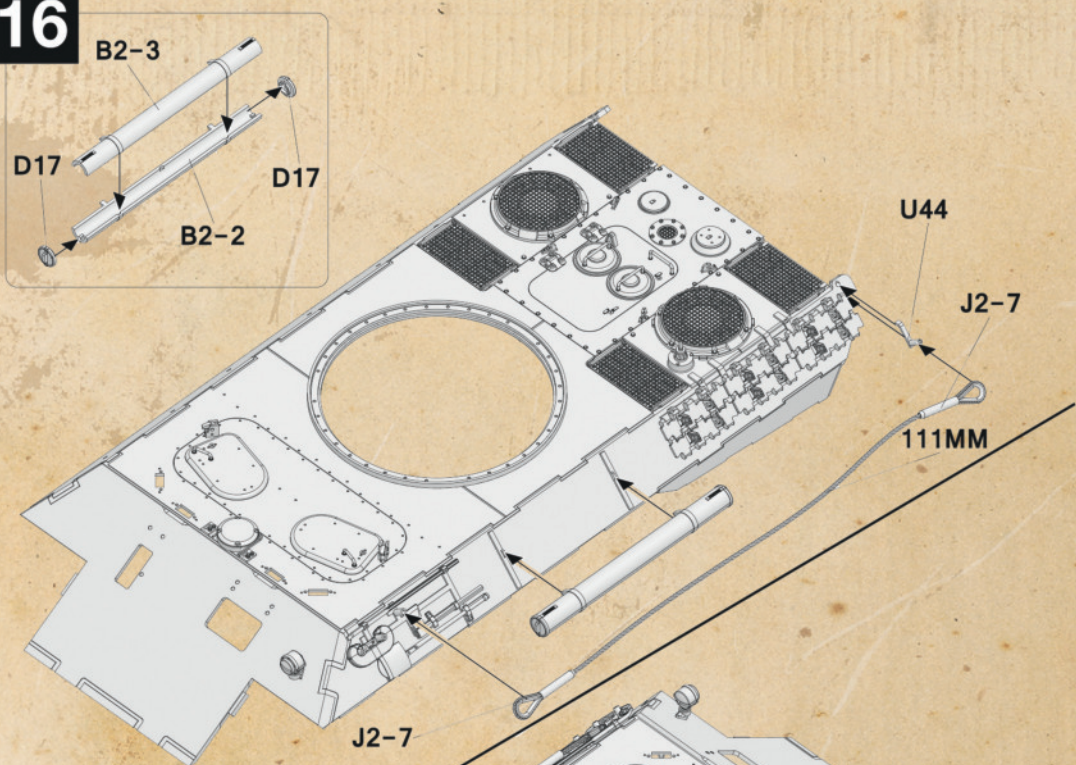
14



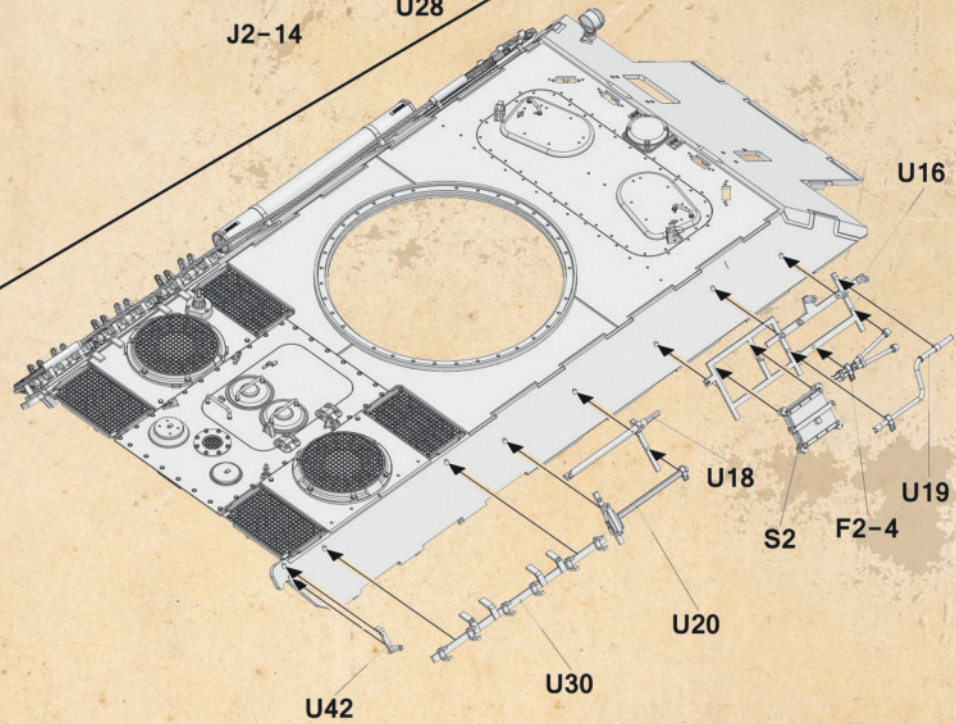
15



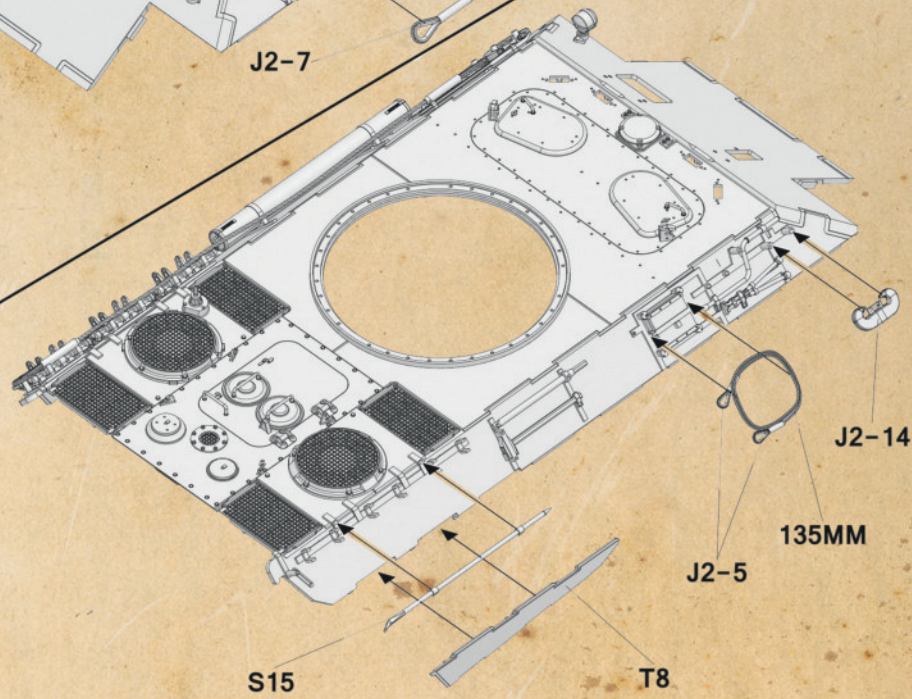
16



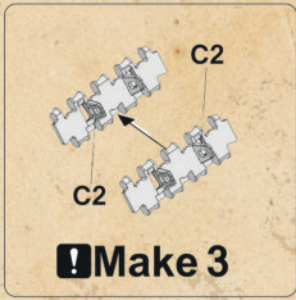
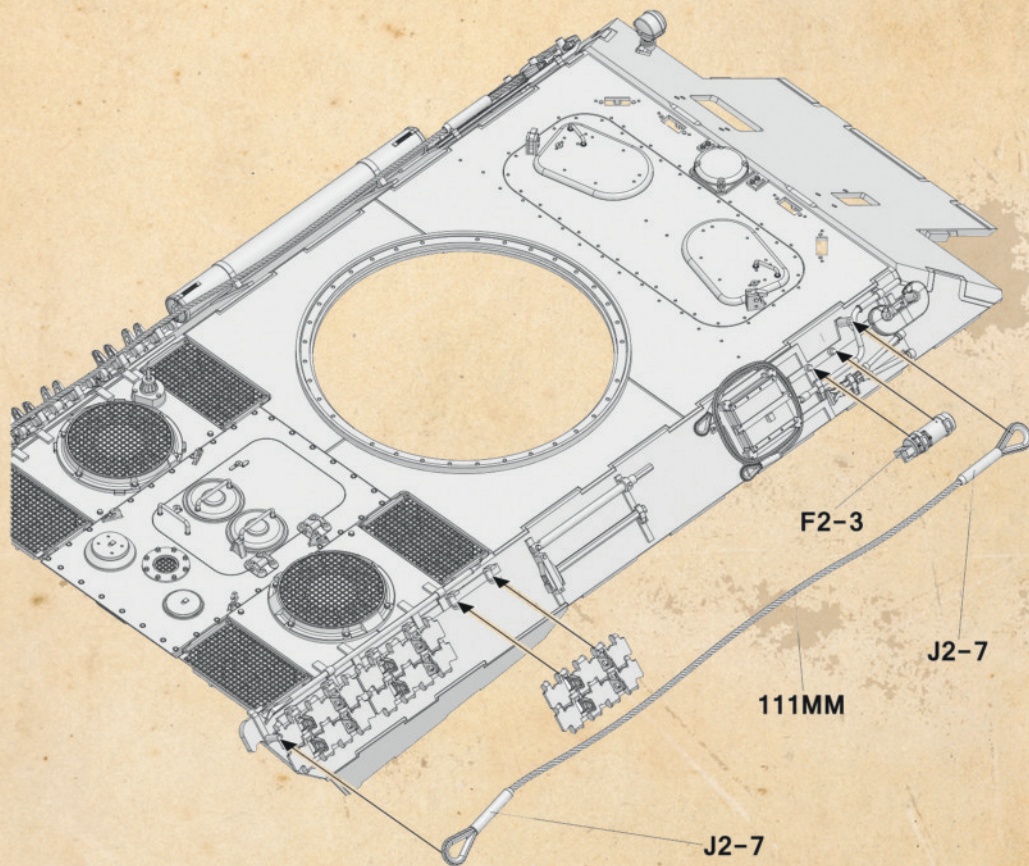
17



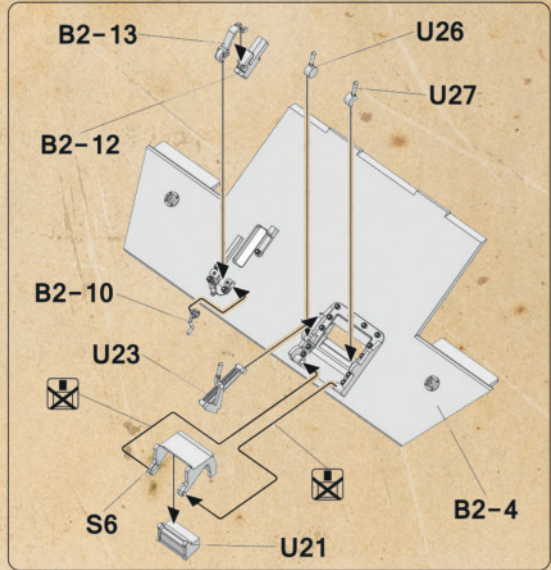
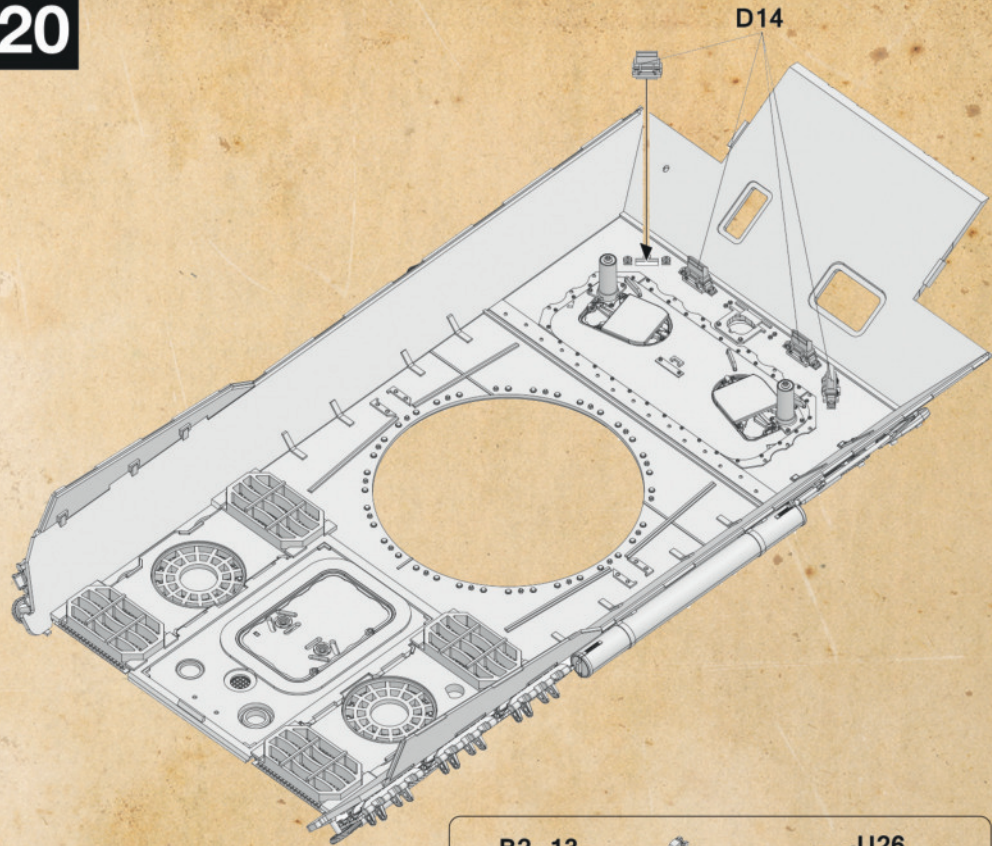
18



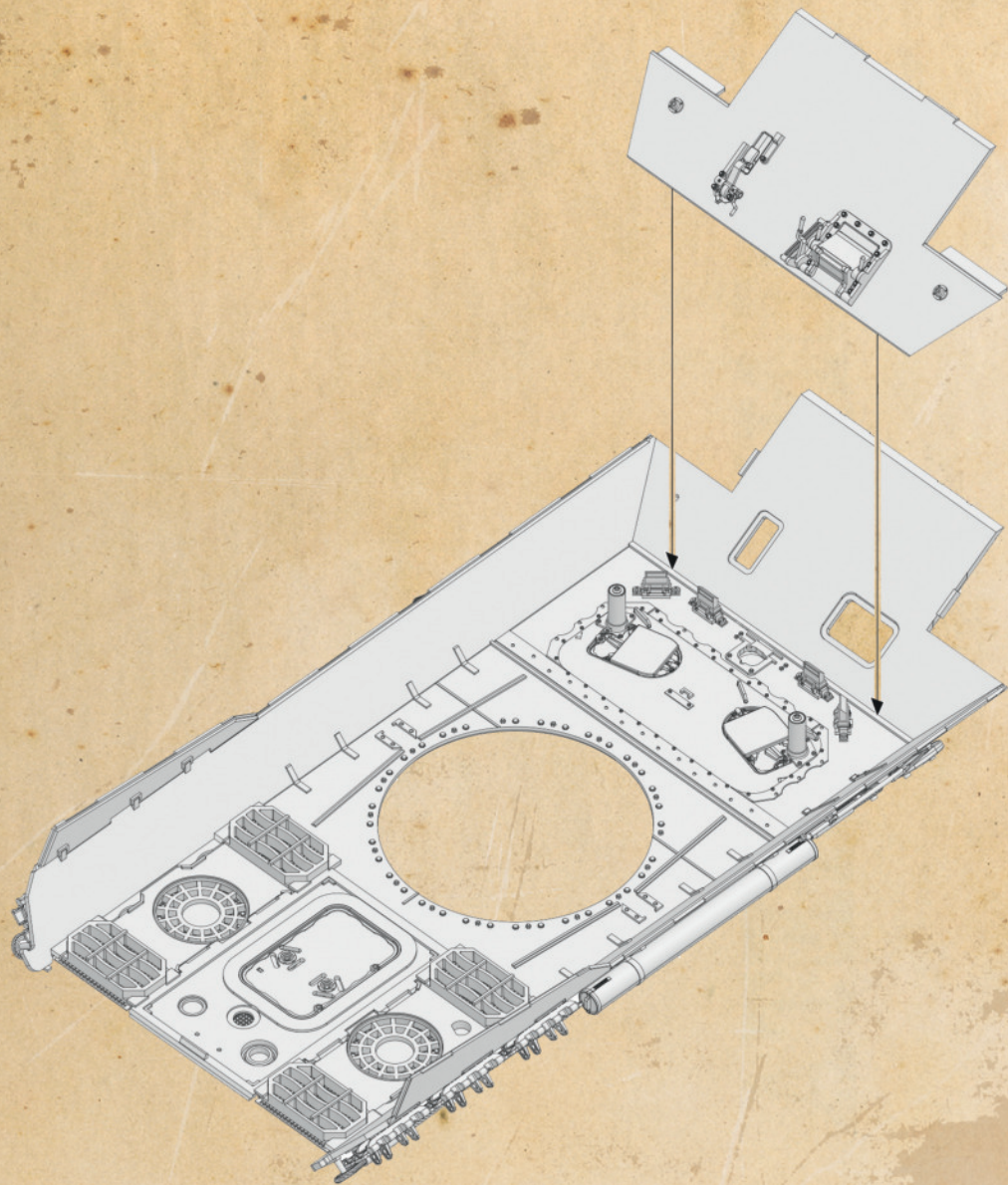
19



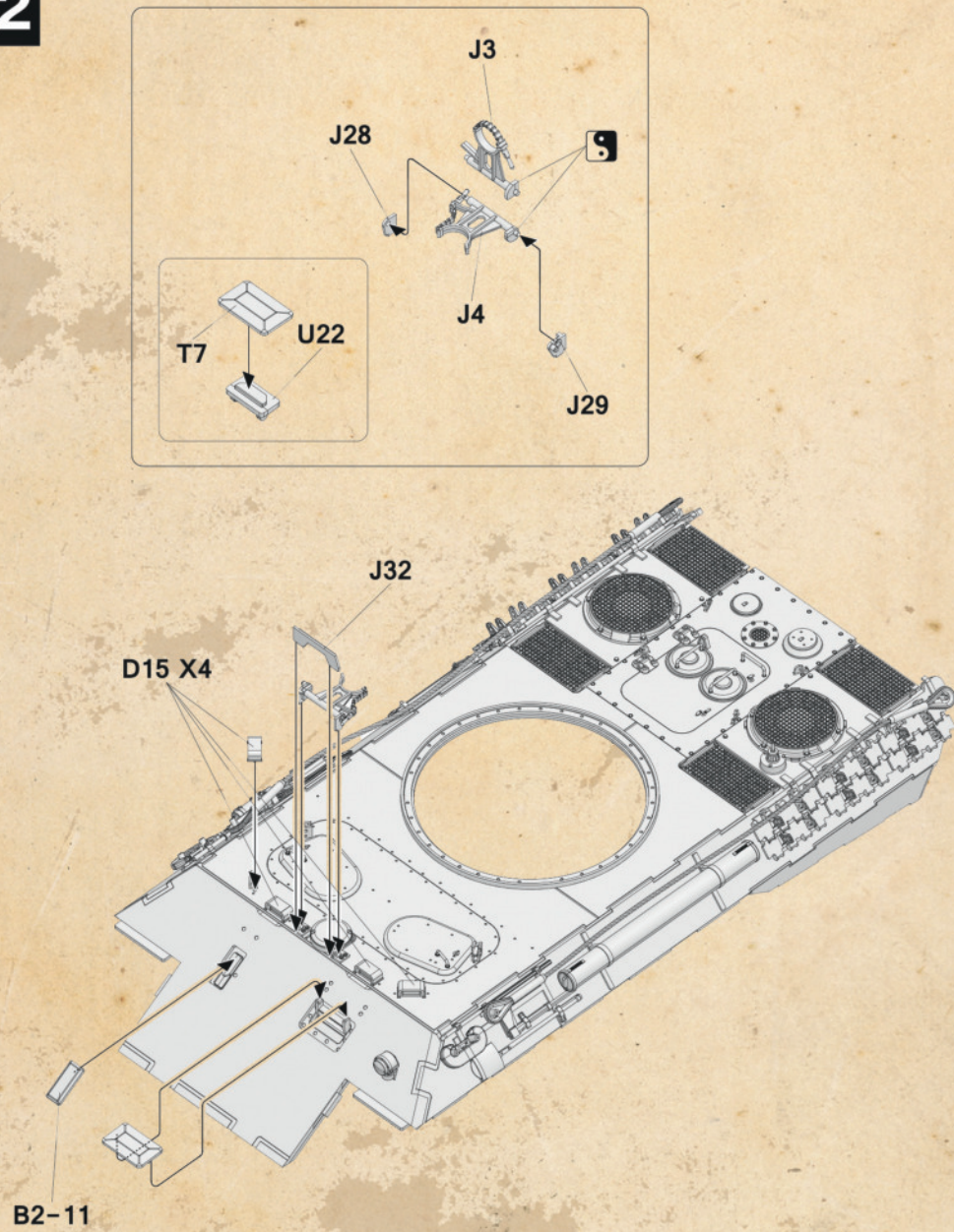
20



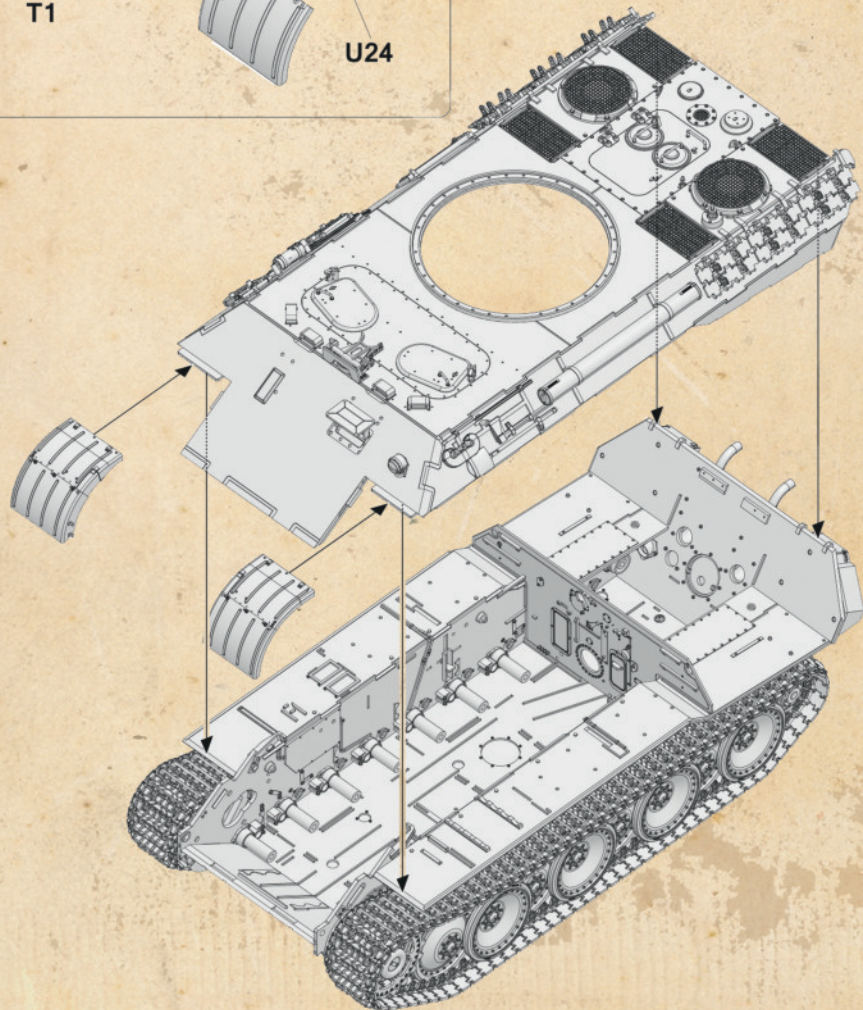
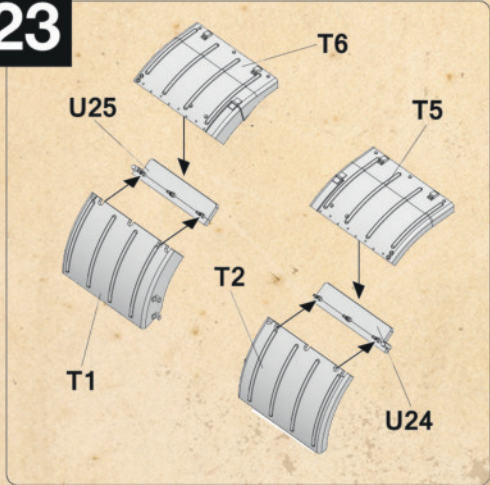
21



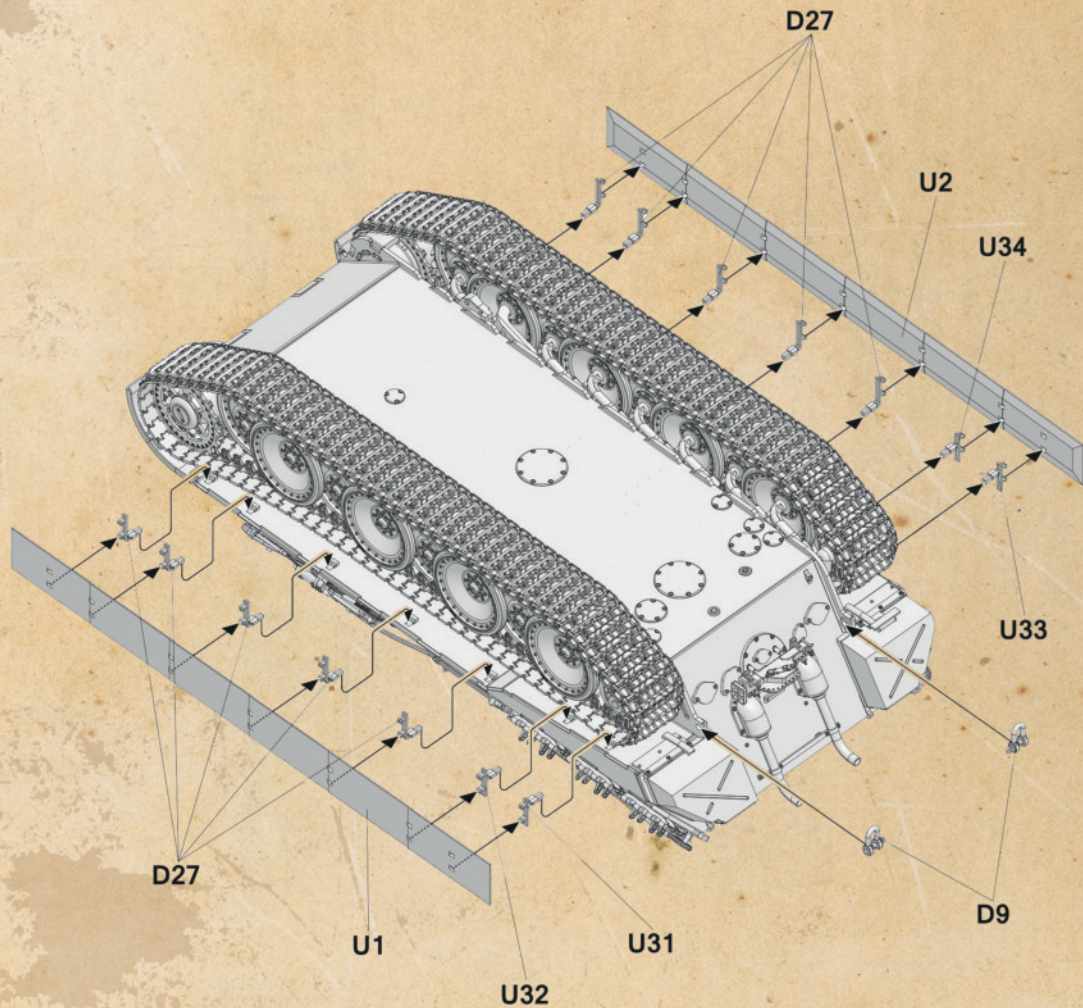
22



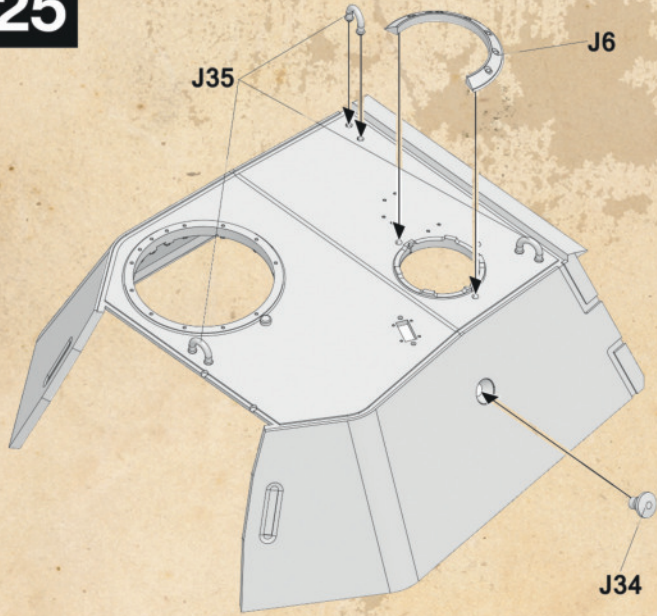
23



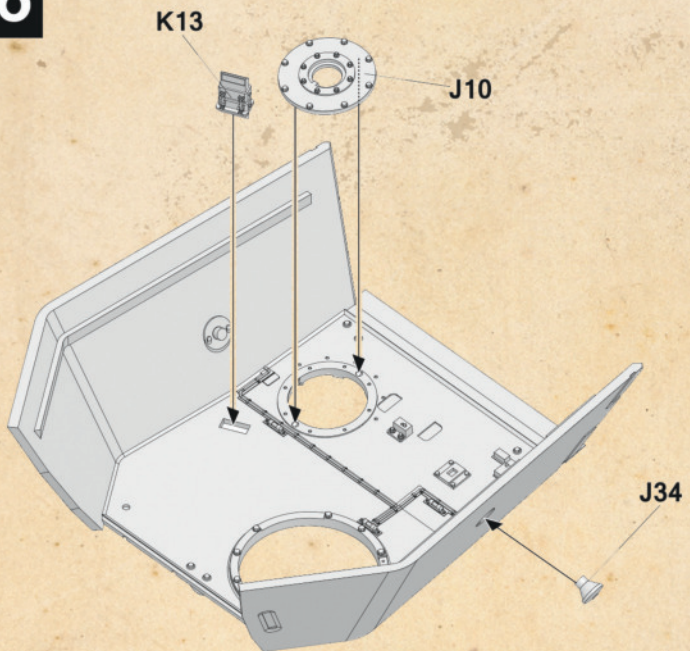
24



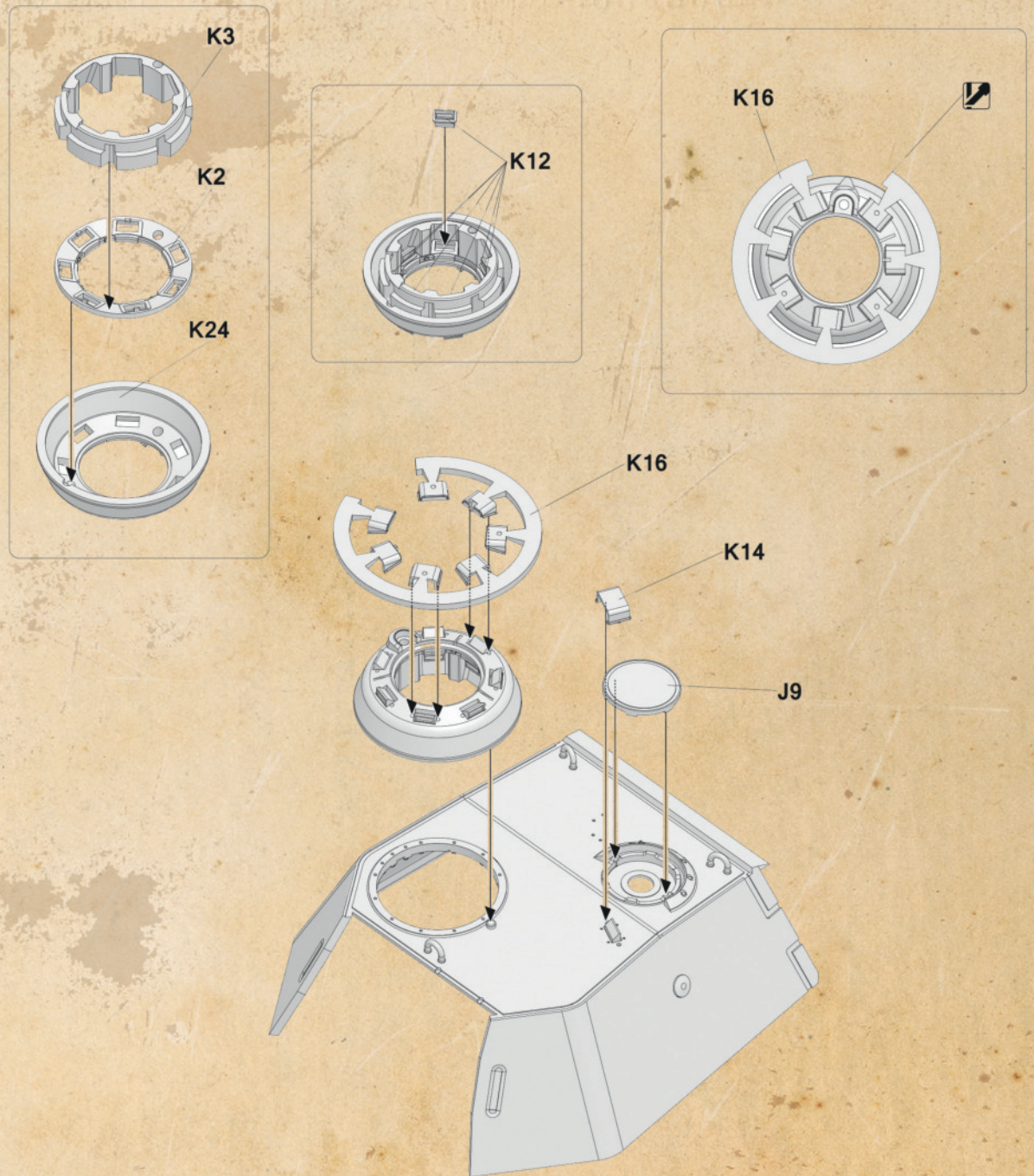
25



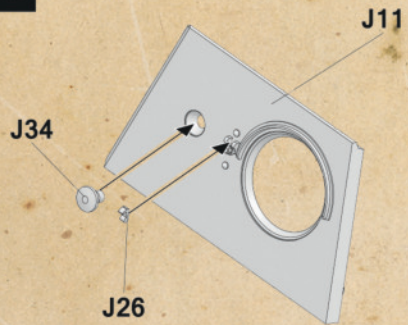
26



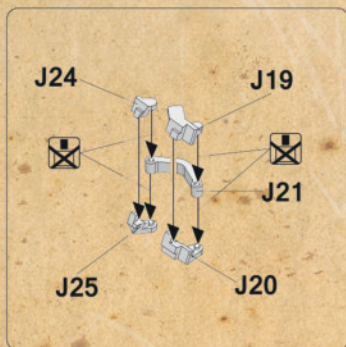
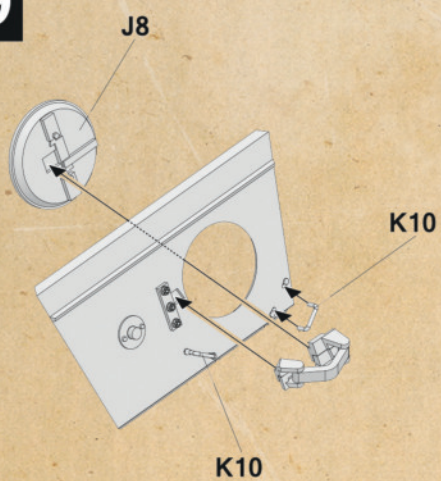
27



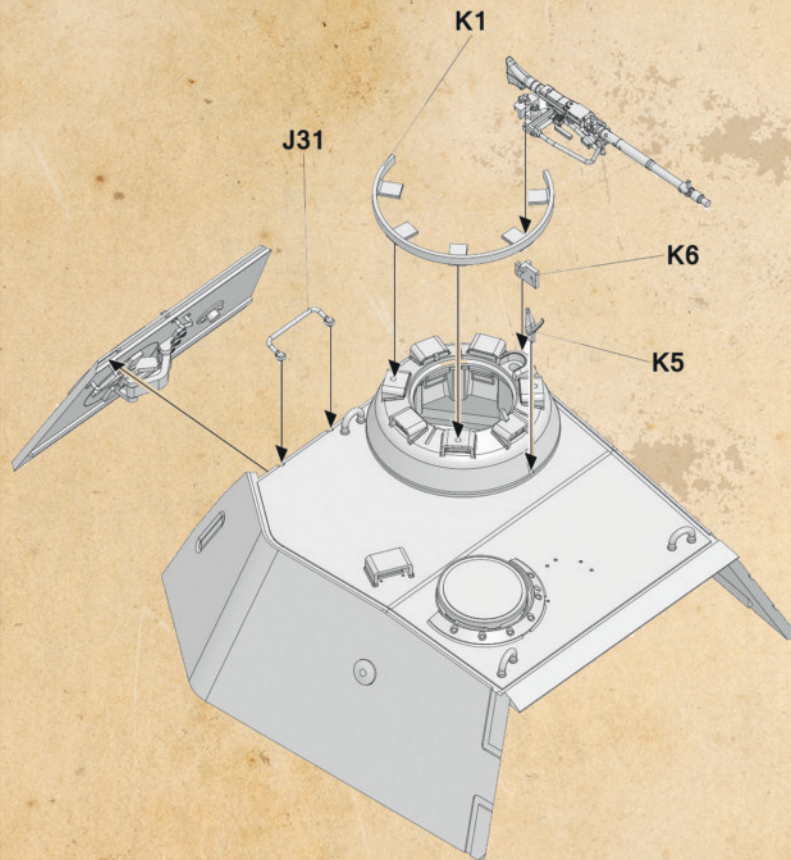
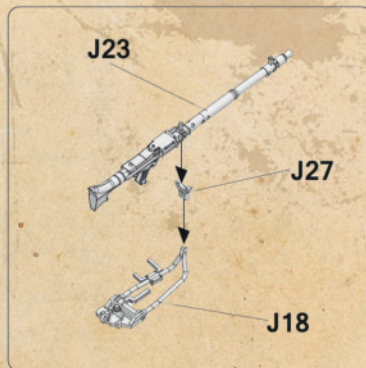
28



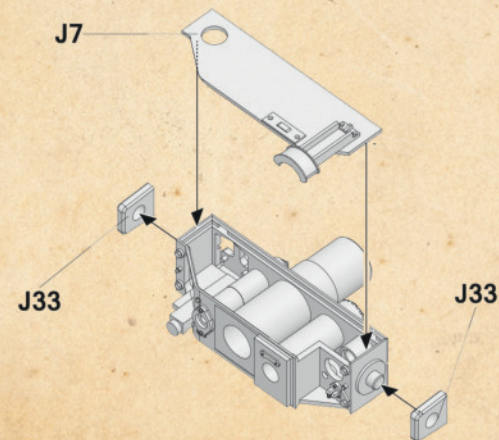
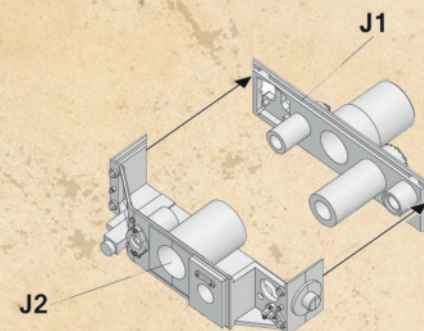
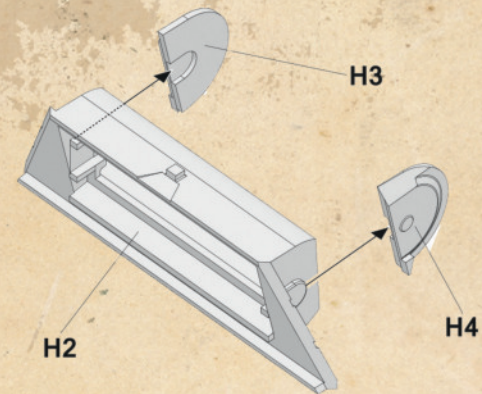
29



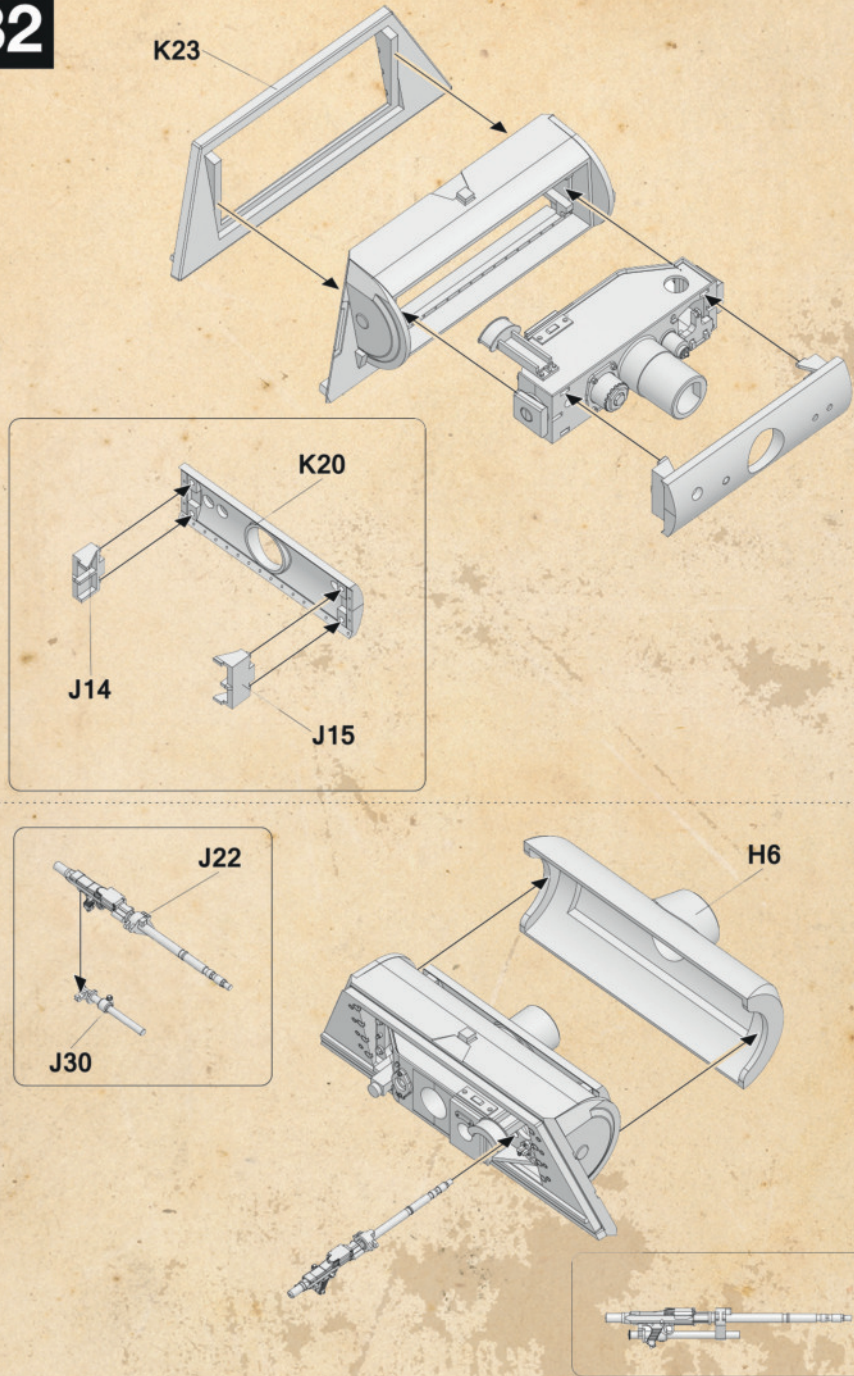
30



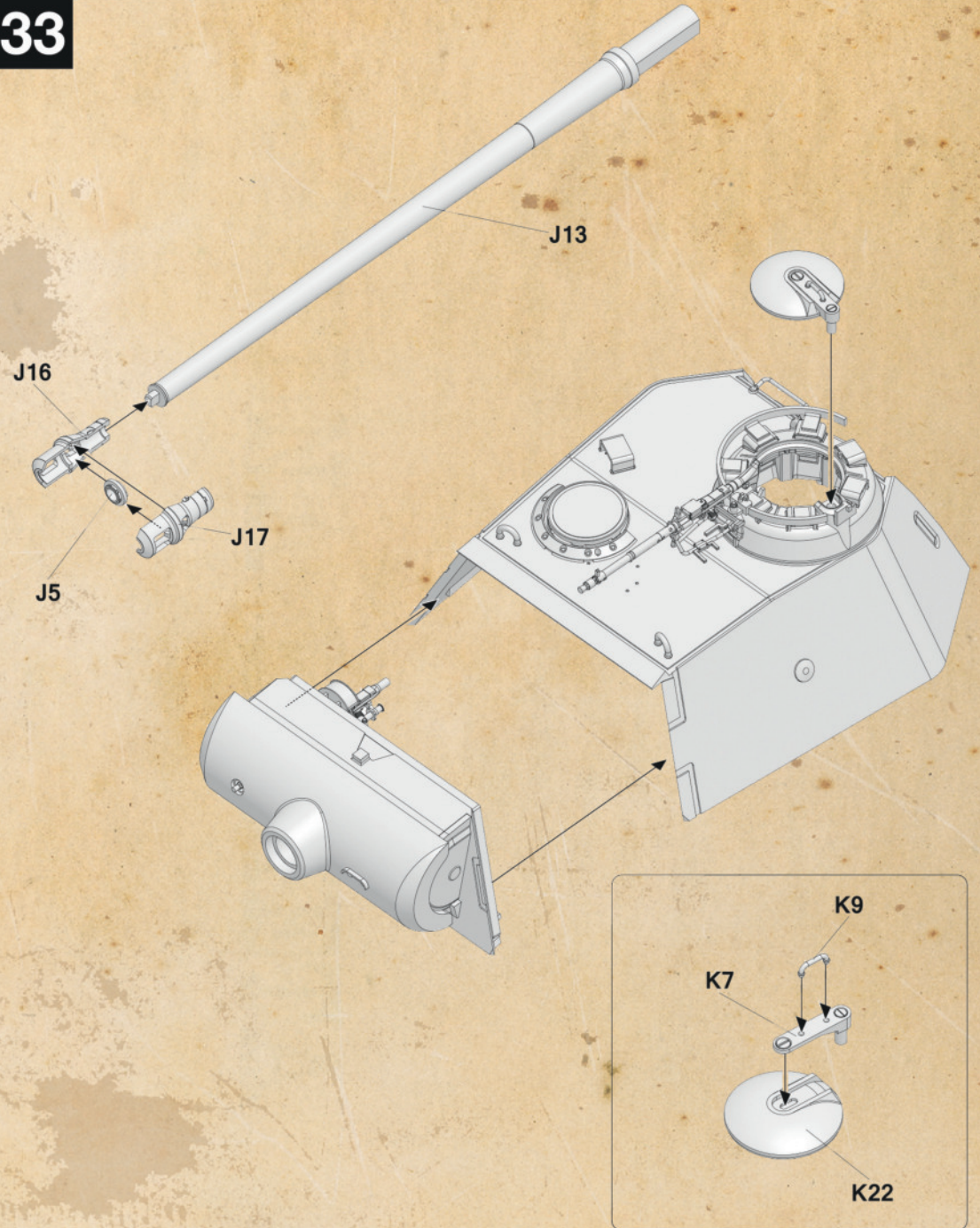
31

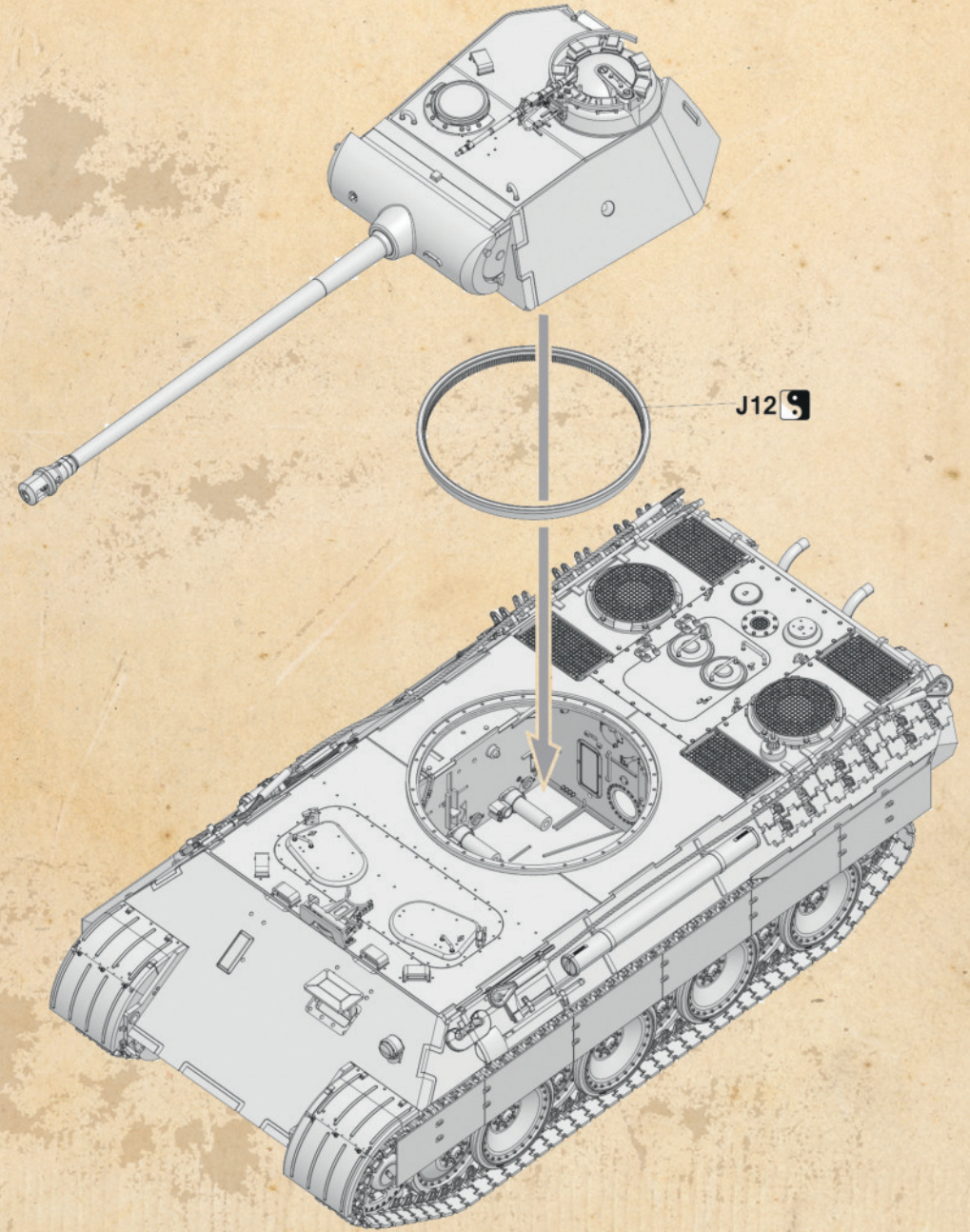
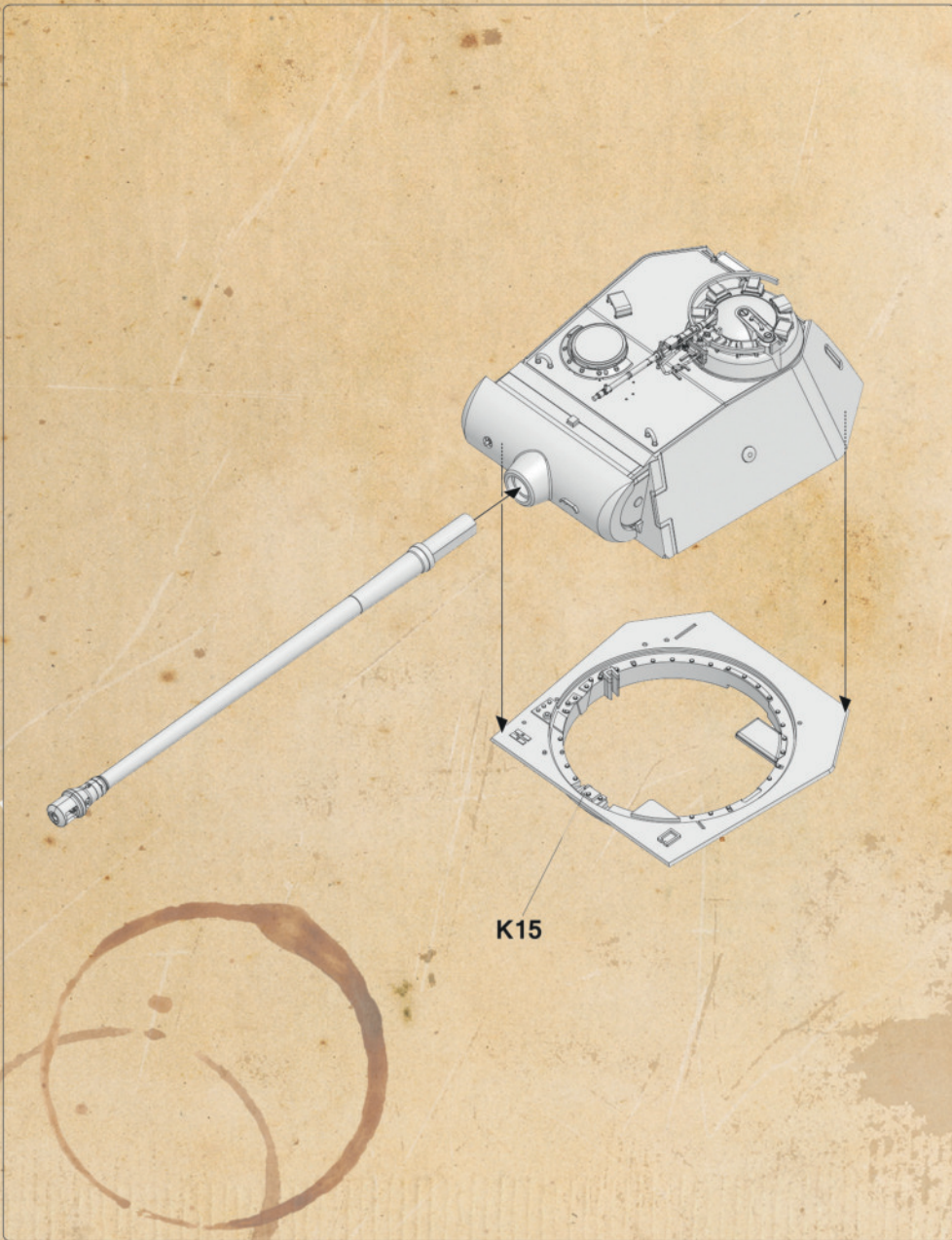


32



33





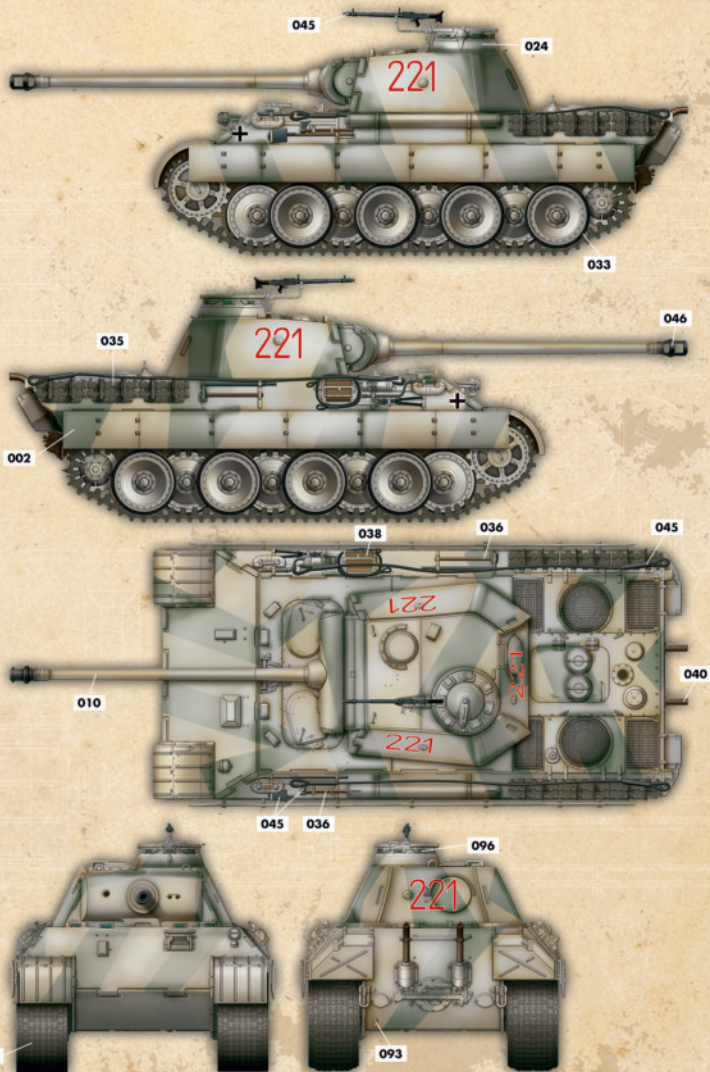
## Painting and Marking Guide

**DAS WERK** Ref: DW35009

Panther Ausf. A, early prod.

Panther Ausf. A. Early. 16 Panzer Division.

|           |                |           |                    |           |                     |           |                         |
|-----------|----------------|-----------|--------------------|-----------|---------------------|-----------|-------------------------|
| A.MIG 033 | Rubber & Tires | A.MIG 035 | Dark Tracks        | A.MIG 036 | Old Wood            | A.MIG 038 | Old Wood                |
| A.MIG 040 | Medium Rust    | A.MIG 045 | Gun Metal          | A.MIG 093 | Crystal Red         | A.MIG 096 | Crystal Periscope Green |
| A.MIG 002 | Olivgrün Opt.2 | A.MIG 010 | Dunkelgelb Mid war | A.MIG 024 | Washable White Camo | A.MIG 046 | Matt Black              |



### WEATHERING STEPS WITH AMMO PRODUCTS

- |   |  |   |  |
|---|--|---|--|
| <b>1</b> GENERAL WASH<br>A.MIG-1001 Africa Korps Wash | <b>3</b> STREAKING<br>A.MIG-1205 Streaking Grime for Winter Vehicles | <b>5</b> TRACK WASH<br>A.MIG-1002 Tracks Wash | <b>7</b> MUD<br>A.MIG-3007 Dark Earth<br>A.MIG-1754 Damp Earth |
| <b>2</b> FILTER<br>A.MIG-1500 Brown for White         | <b>4</b> RUST<br>A.MIG-3510 Rust                                     | <b>6</b> DUST<br>A.MIG-3013 Rubbel            |  |

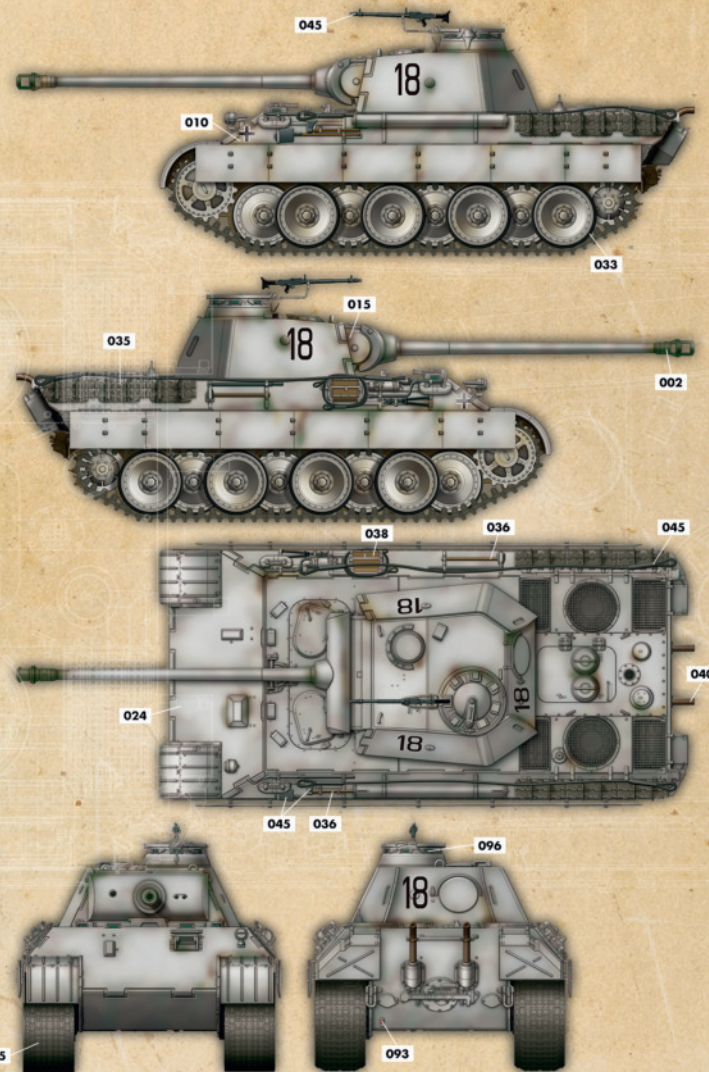
## Painting and Marking Guide

**DAS WERK** Ref: DW35009

Panther Ausf. A, early prod.

Panzer Ausf A Early 16 Panzer division.  
Russia 1944.

|           |                |           |                    |           |             |           |                         |
|-----------|----------------|-----------|--------------------|-----------|-------------|-----------|-------------------------|
| A.MIG 033 | Rubber & Tires | A.MIG 035 | Dark Tracks        | A.MIG 036 | Old Wood    | A.MIG 038 | Old Wood                |
| A.MIG 040 | Medium Rust    | A.MIG 045 | Gun Metal          | A.MIG 093 | Crystal Red | A.MIG 096 | Crystal Periscope Green |
| A.MIG 002 | Olivgrün Opt.2 | A.MIG 010 | Dunkelgelb Mid war | A.MIG 015 | Schokobraun | A.MIG 024 | Washable White Camo     |



### WEATHERING STEPS WITH AMMO PRODUCTS

- |   |  |   |  |
|---|--|---|--|
| <b>1</b> GENERAL WASH<br>A.MIG-1001 Africa Korps Wash | <b>3</b> STREAKING<br>A.MIG-1205 Streaking Grime for Winter Vehicles | <b>5</b> TRACK WASH<br>A.MIG-1002 Tracks Wash | <b>7</b> MUD<br>A.MIG-3007 Dark Earth<br>A.MIG-1754 Damp Earth |
| <b>2</b> FILTER<br>A.MIG-1500 Brown for White         | <b>4</b> RUST<br>A.MIG-3510 Rust                                     | <b>6</b> DUST<br>A.MIG-3013 Rubbel            |  |

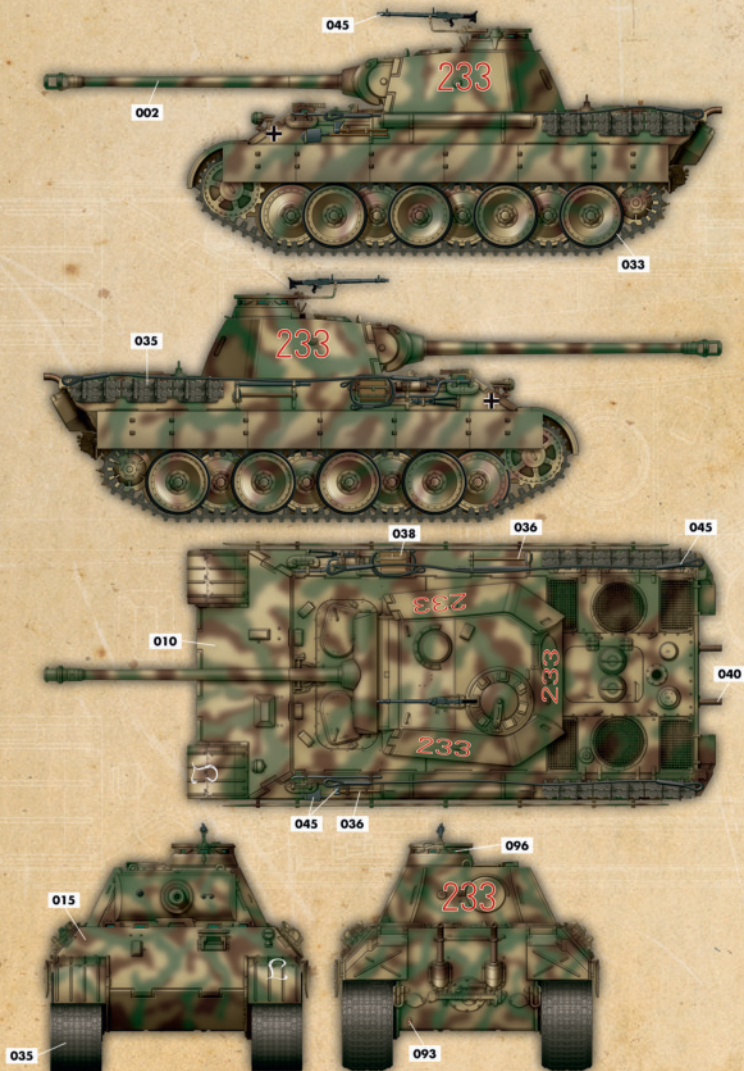
## Painting and Marking Guide

**DAS WERK** Ref: DW35009

Panther Ausf. A, early prod.

Panther A Pz Lehr, of 1. Kompanie, 12 July Normandie 1944.

|           |                |           |                    |           |             |           |                         |
|-----------|----------------|-----------|--------------------|-----------|-------------|-----------|-------------------------|
| A.MIG 033 | Rubber & Tires | A.MIG 035 | Dark Tracks        | A.MIG 036 | Old Wood    | A.MIG 038 | Old Wood                |
| A.MIG 040 | Medium Rust    | A.MIG 045 | Gun Metal          | A.MIG 093 | Crystal Red | A.MIG 096 | Crystal Periscope Green |
| A.MIG 002 | Olivgrün Opt.2 | A.MIG 010 | Dunkelgelb Mid war | A.MIG 015 | Schokobrown |           |                         |



### WEATHERING STEPS WITH AMMO PRODUCTS

- |  |  |   |  |
|--|--|---|--|
| <b>1 GENERAL WASH</b><br>A.MIG-1000 Brown Wash for German Yellow | <b>3 STREAKING</b><br>A.MIG-1203 Streaking Grime | <b>5 TRACK WASH</b><br>A.MIG-1002 Tracks Wash | <b>7 MUD</b><br>A.MIG-3007 Dark Earth<br>A.MIG-1752 Loose Ground |
| <b>2 FILTER</b><br>A.MIG-1510 Tone for 3 tone camo               | <b>4 RUST</b><br>A.MIG-3510 Rust                 | <b>6 DUST</b><br>A.MIG-3013 Rubbel            |  |

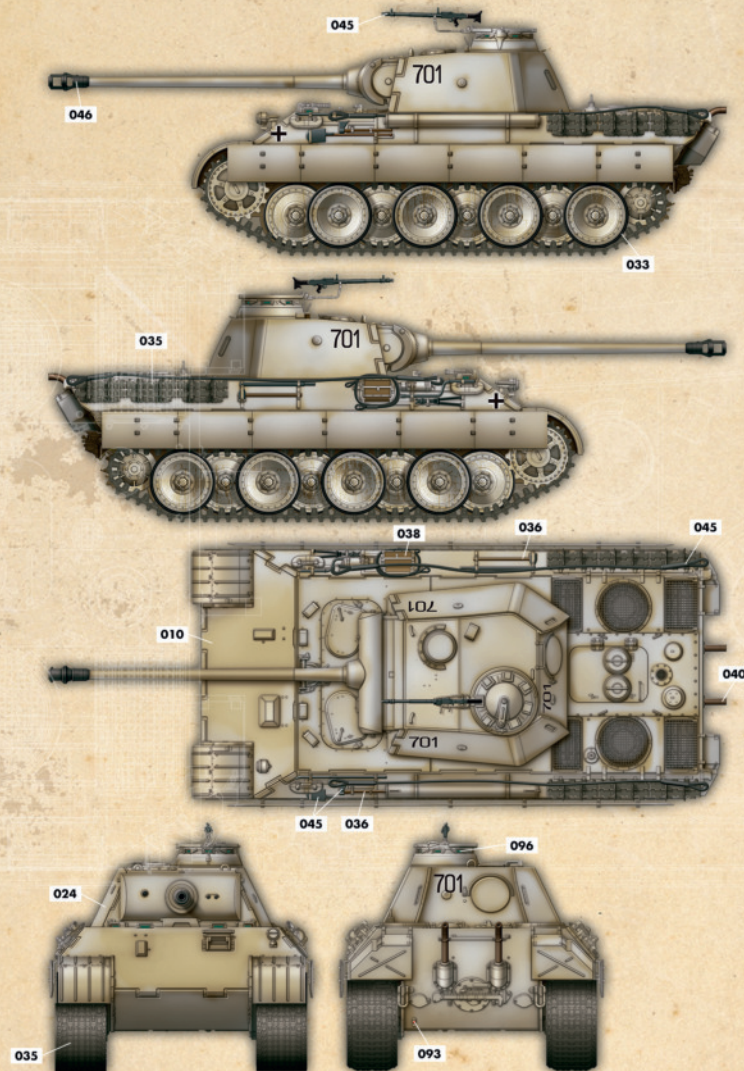
## Painting and Marking Guide

**DAS WERK** Ref: DW35009

Panther Ausf. A, early prod.

The 701, Panzer Regiment 23.

|           |                    |           |             |           |                     |           |                         |
|-----------|--------------------|-----------|-------------|-----------|---------------------|-----------|-------------------------|
| A.MIG 033 | Rubber & Tires     | A.MIG 035 | Dark Tracks | A.MIG 036 | Old Wood            | A.MIG 038 | Old Wood                |
| A.MIG 040 | Medium Rust        | A.MIG 045 | Gun Metal   | A.MIG 093 | Crystal Red         | A.MIG 096 | Crystal Periscope Green |
| A.MIG 010 | Dunkelgelb Mid war | A.MIG 046 | Matt Black  | A.MIG 024 | Washable White Camo |           |                         |



### WEATHERING STEPS WITH AMMO PRODUCTS

- |   |  |   |  |
|---|--|---|--|
| <b>1 GENERAL WASH</b><br>A.MIG-1001 Africa Korps Wash | <b>3 STREAKING</b><br>A.MIG-1205 Streaking Grime for Winter Vehicles | <b>5 TRACK WASH</b><br>A.MIG-1002 Tracks Wash | <b>7 MUD</b><br>A.MIG-3007 Dark Earth<br>A.MIG-1754 Damp Earth |
| <b>2 FILTER</b><br>A.MIG-1500 Brown for White         | <b>4 RUST</b><br>A.MIG-3510 Rust                                     | <b>6 DUST</b><br>A.MIG-3013 Rubbel            |  |