

Vought F4U-1D Corsair

1:32 Scale

美国沃特F4U-1D海盗

READ BEFORE ASSEMBLY

- Study and understand this instructions thoroughly before beginning assembly.
- Remove all injection pins carefully using a modeling file.
- Cut off the photo-etched parts carefully using a modeling knife. Be sure not to lose small parts.
- Apply instant cement to photo etched parts and shafts. Apply too much instant cement will cause movable parts to stick. Apply cement carefully.
- Extra care should be taken to avoid personal injury when handling the photo etched parts.
- Some parts should depend on decals. Select prior to assembly.
- Tools recommended: (Not included in this kit) Cement; Side cutters; Long nose pliers; Modeling knife; Modeling life; Tweezers; Pin vise; Scissors; Instant cement.
- Soft cloth and sand paper will also assist in construction.
- Glue and paints are not included in the kit. Use plastic cement or paints only.
- Keep out of reach of small children. Children must not be allowed to suck any part, or pull vinyl bag over the head.

装配之前仔细阅读

- 小心用模型锉刀锉平所有零件表面的注射浇口。
- 小心用刀片切下蚀刻片零件，不要遗失小零件。
- 用强力快干胶水粘合蚀刻片零件和金属轴。过量的快干胶水使用可能导致可动零件会粘住，小心涂胶。
- 取蚀刻片时应特别注意安全，防止利刃划伤手指。
- 某些零件表面需贴水上贴纸，请选择在装配的同时进行。
- 推荐模型工具(自备)：胶水，水口剪刀，长咀钳，刀片，锉刀，镊子钳，钻，剪刀，瞬间快干胶。
- 软布同砂纸同时也应该是必备工具。
- 请使用塑料胶水和油漆，模型内不含。
- 谨防小孩吸吮塑料零件，或者将塑料袋套在头上，制作时应将套材远离小孩接触。

水贴纸的使用:

1. 从水贴纸上剪下印花;
2. 将印花放入温水中浸10秒, 然后放在干净布上。
3. 拿着印花纸板将印花移到模型上;
4. 手指蘸水将印花移到适当的位置;
5. 用软布轻压印花直至水干, 气泡消失。

DECAL APPLICATION

1. Cut off decal from sheet.
2. Dip the decal in tepid water 40° C for about 10 sec. and place on a clean cloth.
3. Hold the backing sheet edge and slide decal onto the model.
4. Move decal into position by wetting decal with finger.
5. Press decal gently down with a soft cloth until excess water and air bubbles are gone.



cyanoacrylate glue
使用强力胶



weight
配重



make hole
钻孔



cut / remove
切除



option
选择



no cement
不涂胶水



decal
贴纸

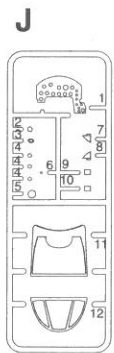
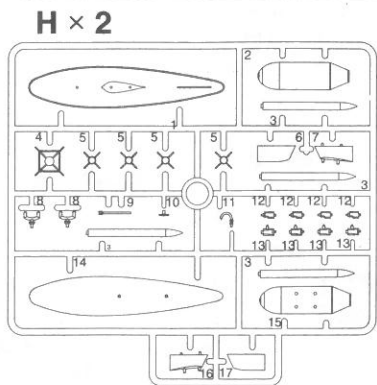
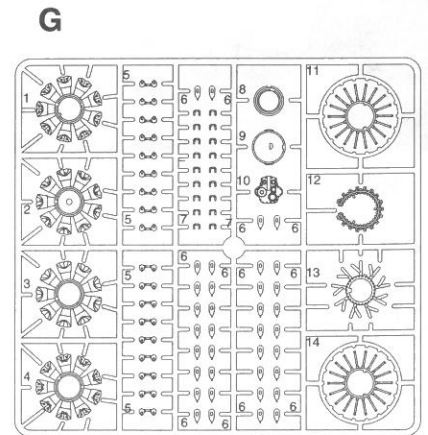
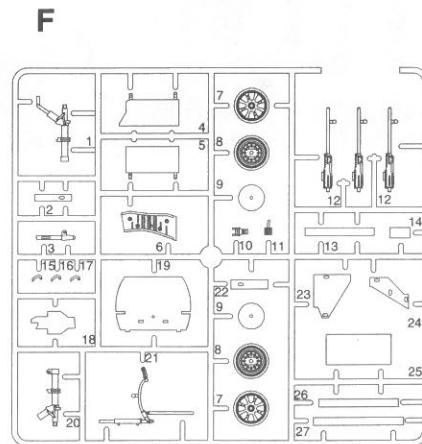
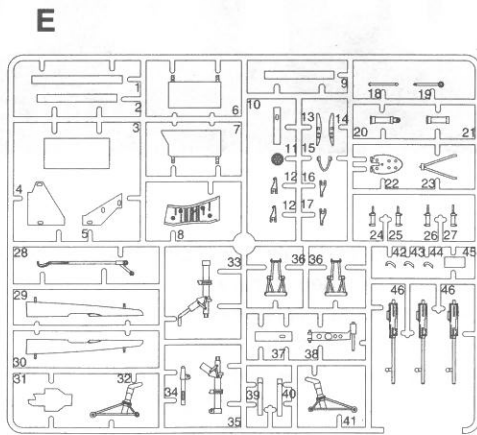
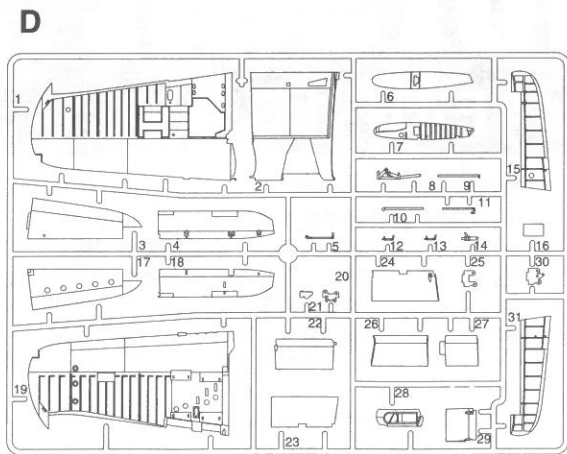
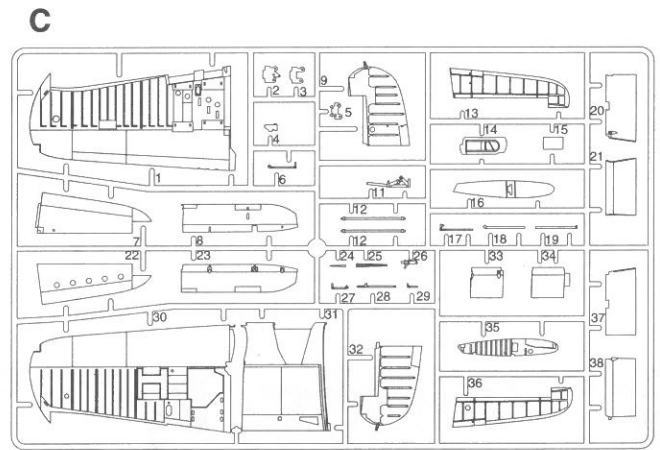
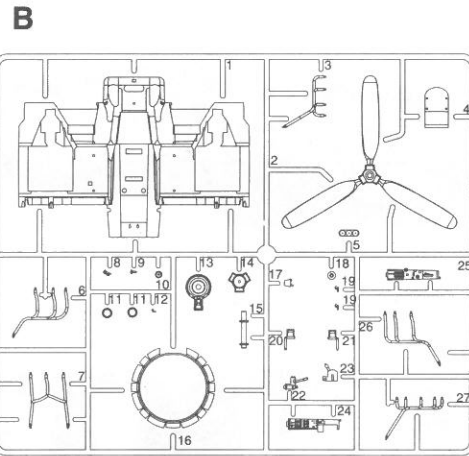
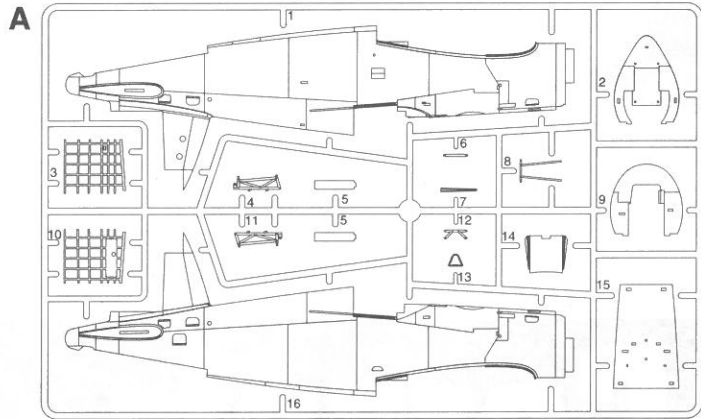


bend
弯曲

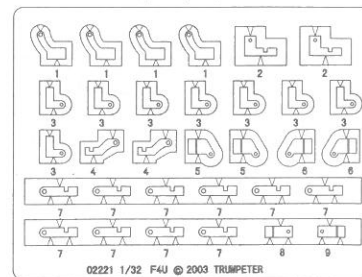


file / sand
锉平

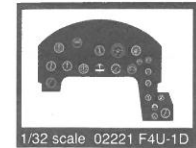
部品图 Parts



《蚀刻片》 Photo etched part (PE)



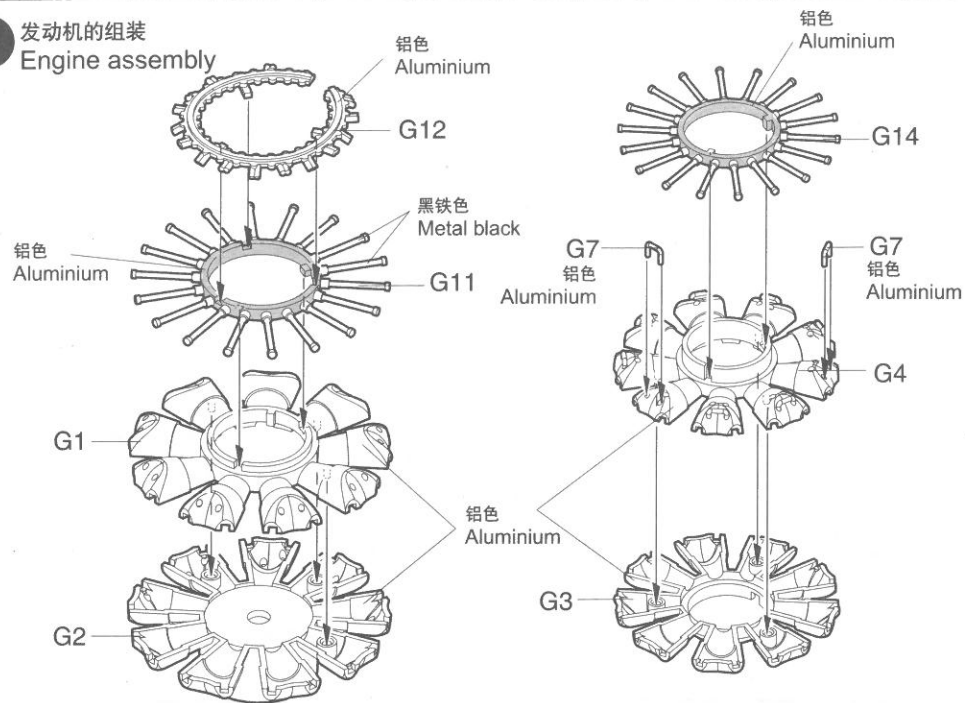
《菲林片》 Film



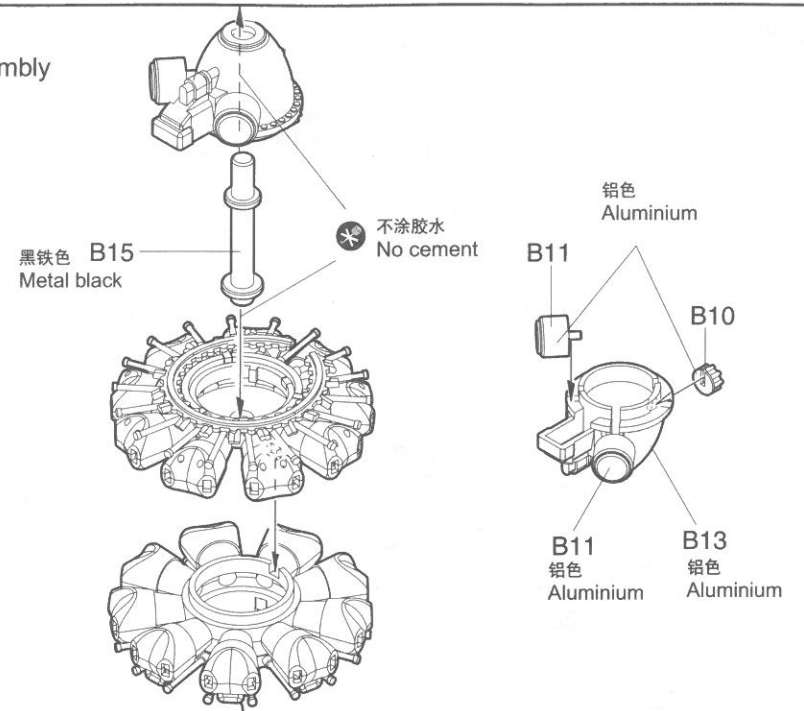
贴纸 Decal

轴 Shaft	铜轴 Brass wire
φ 1.0 × 47mm	4PCS
φ 1.0 × 8mm	1PCS
φ 1.0 × 3.8mm	2PCS
φ 0.8 × 70mm	1PCS

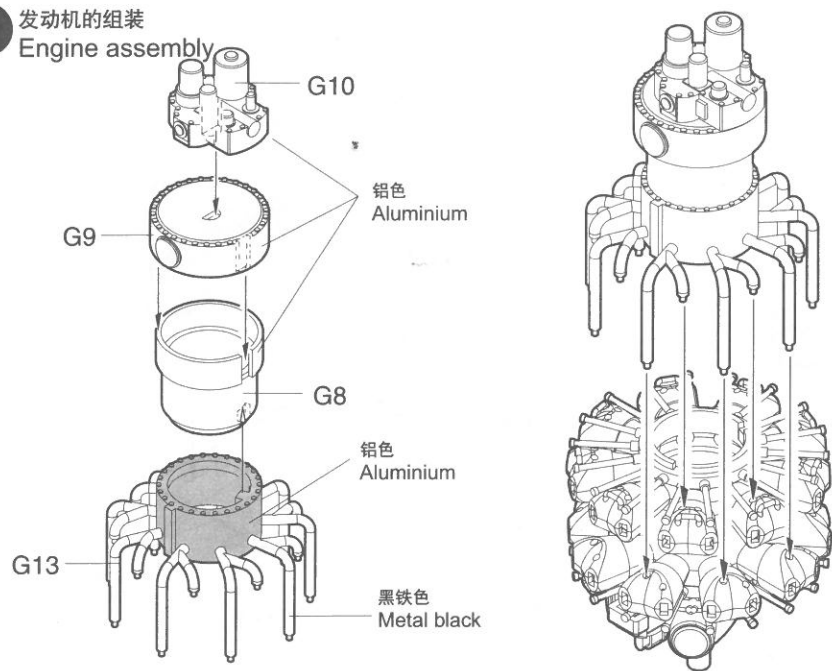
1 发动机的组装
Engine assembly



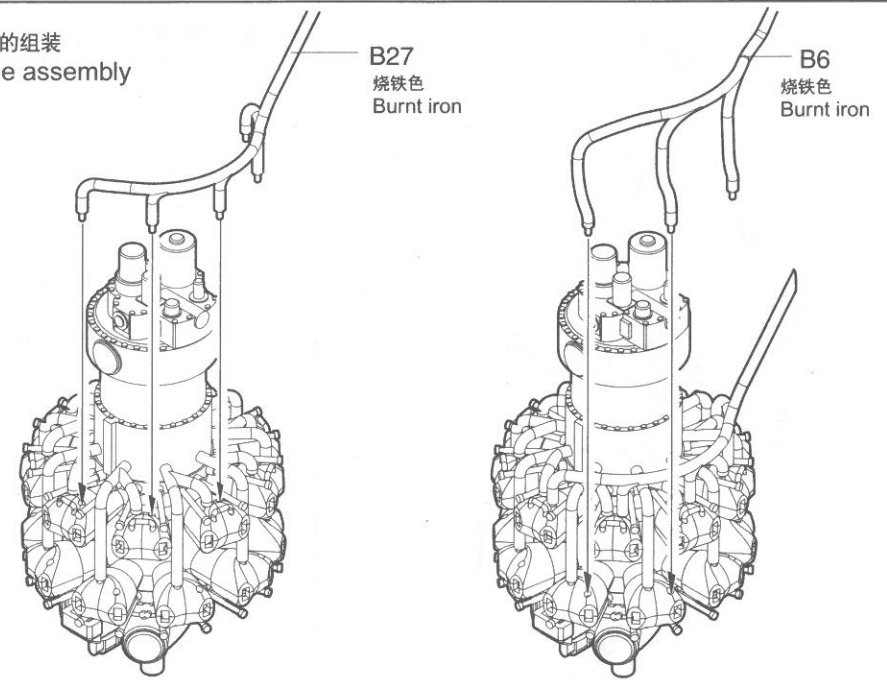
2 发动机的组装
Engine assembly



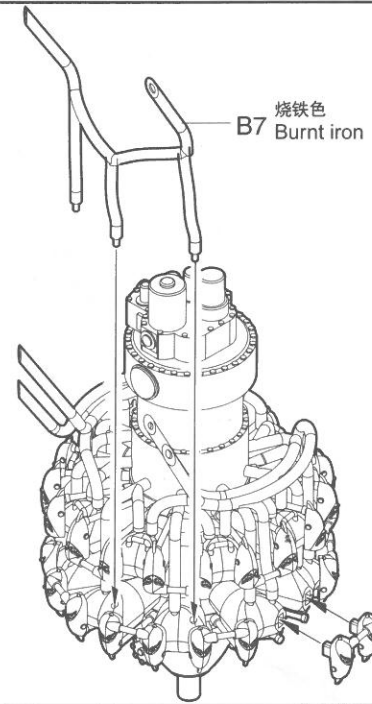
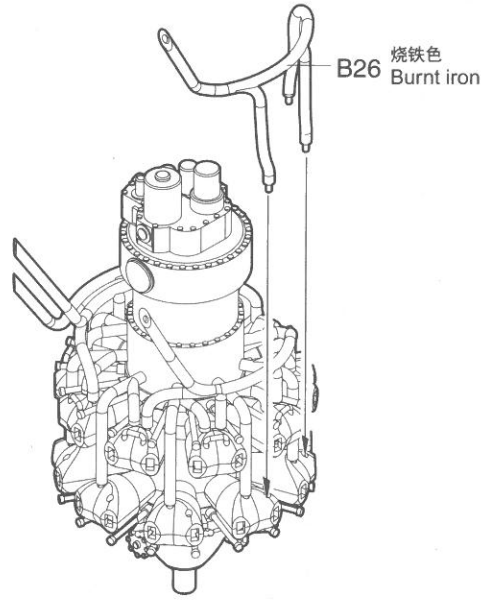
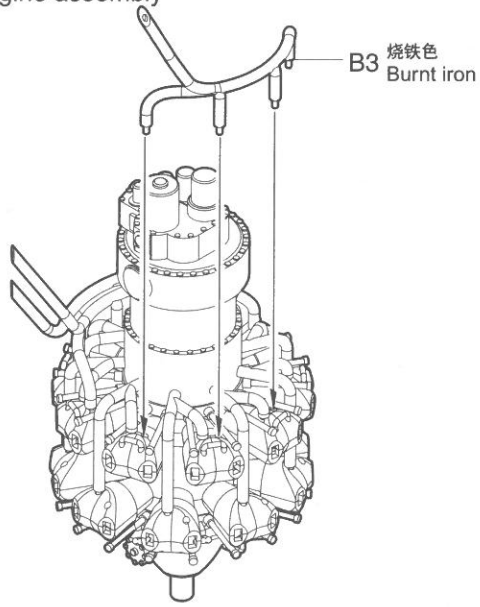
3 发动机的组装
Engine assembly



4 发动机的组装
Engine assembly



5 发动机的组装
Engine assembly

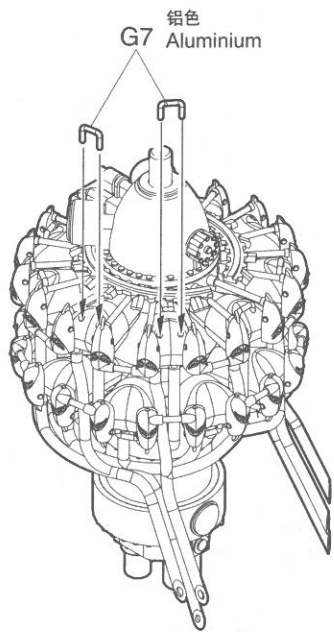


制作18组
Make eighteen

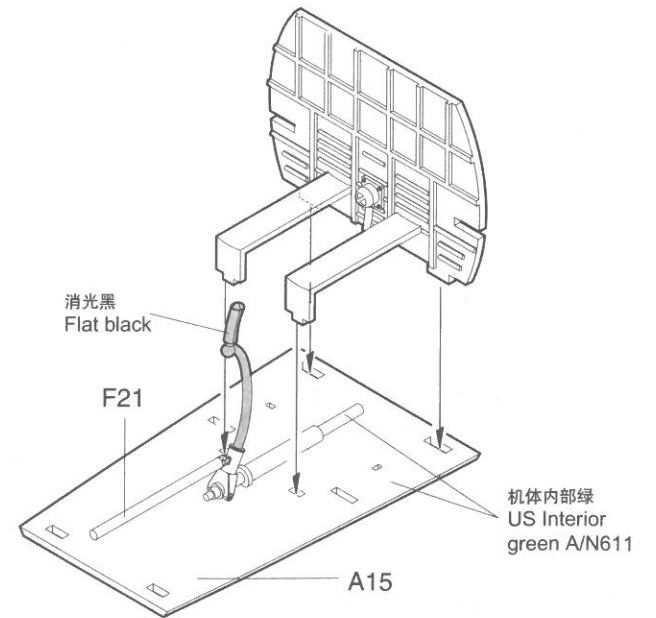
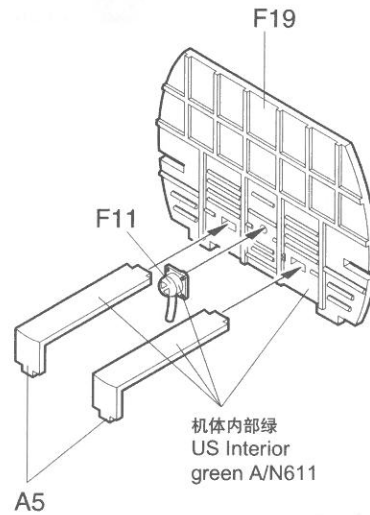
G6 铝色
Aluminium

黑铁色 G5
Metal black

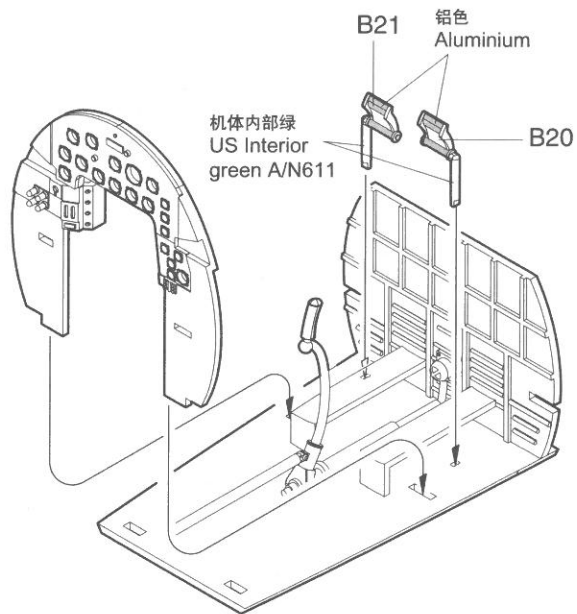
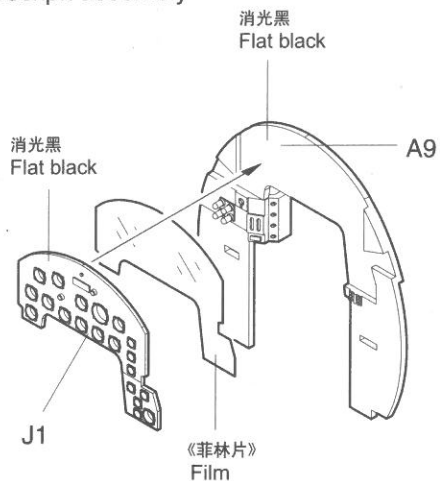
A small inset diagram shows a component assembly consisting of two circular parts connected by a central rod. The parts are labeled 'G6 铝色' (Aluminium) and '黑铁色 G5' (Metal black).



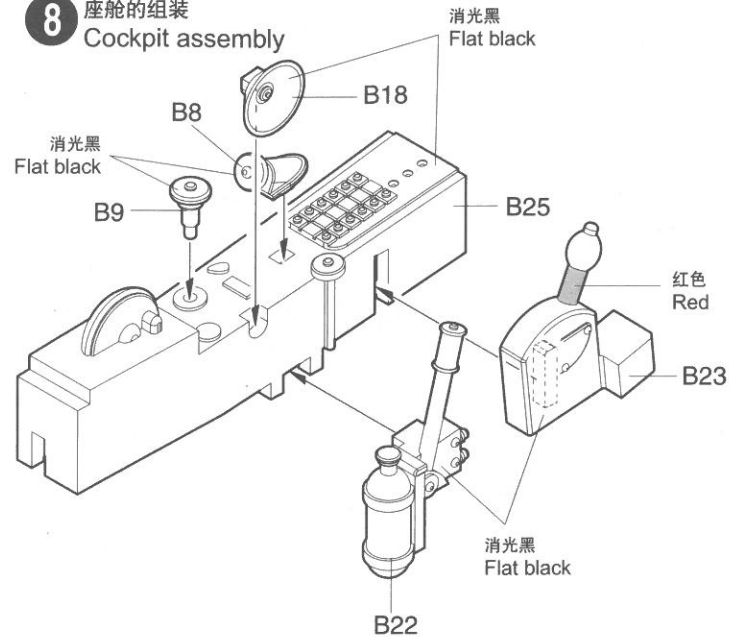
6 座舱的组装
Cockpit assembly



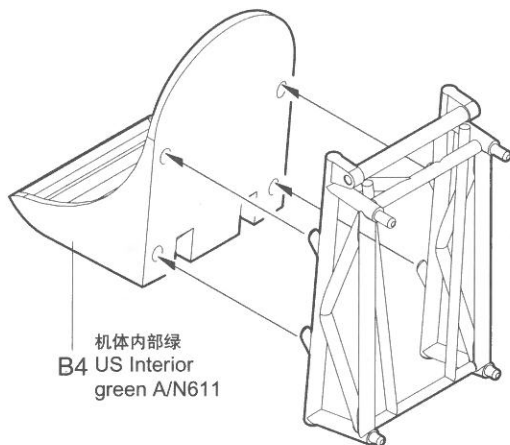
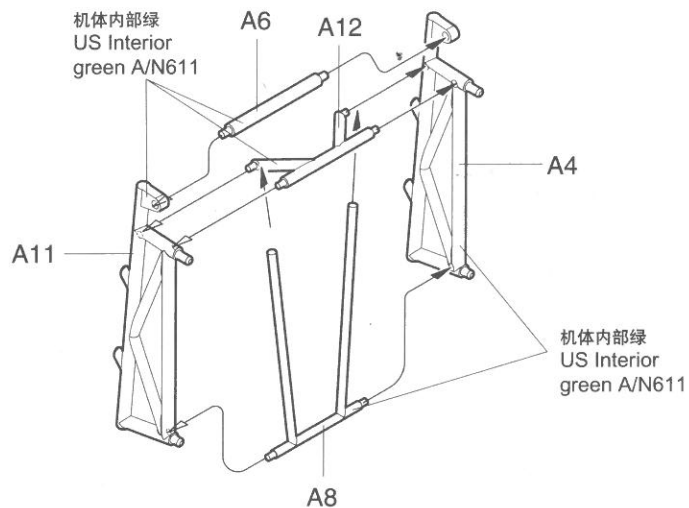
7 座舱的组装
Cockpit assembly



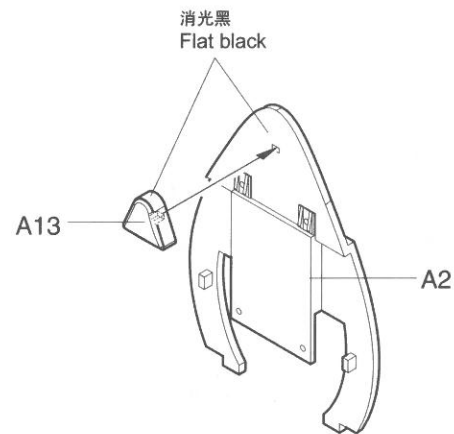
8 座舱的组装
Cockpit assembly



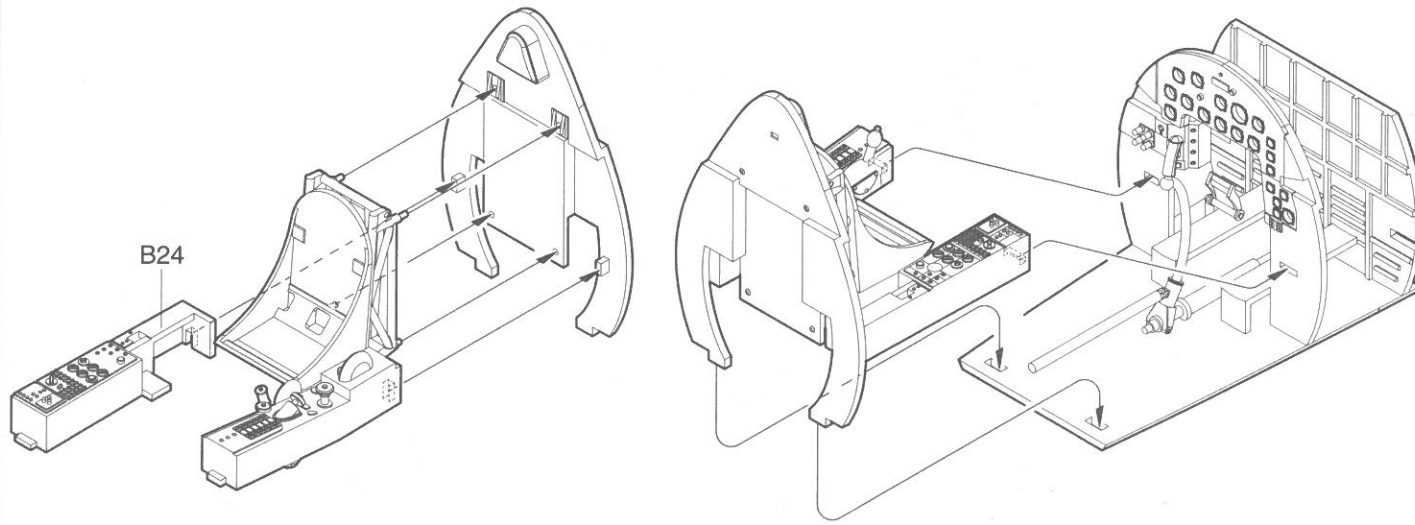
9 座椅的组装
Pilot seat assembly



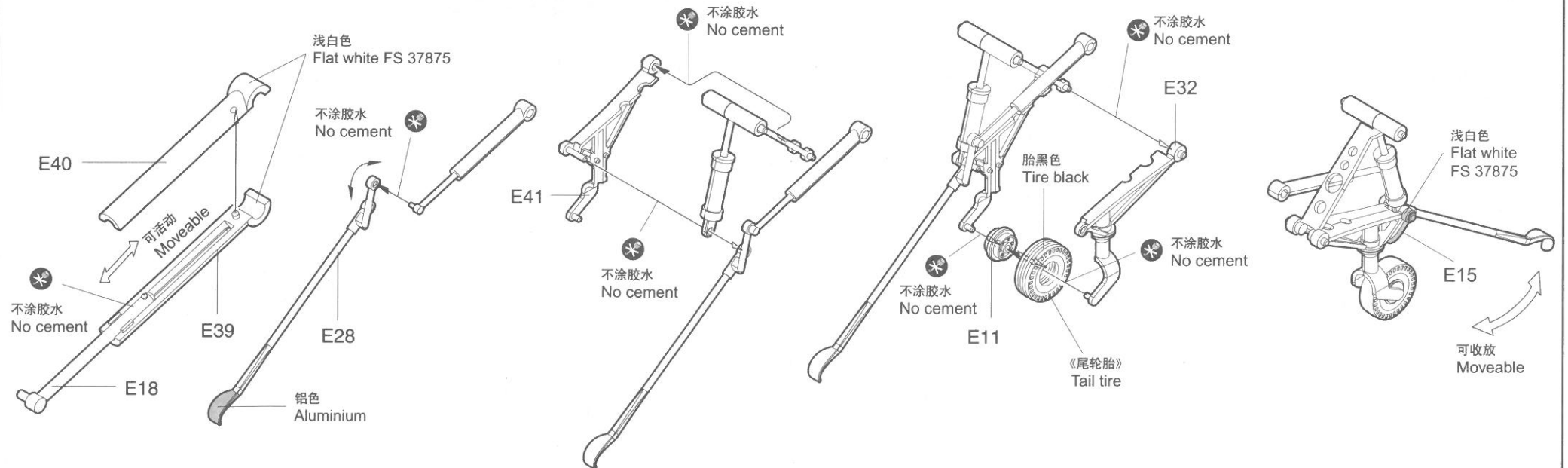
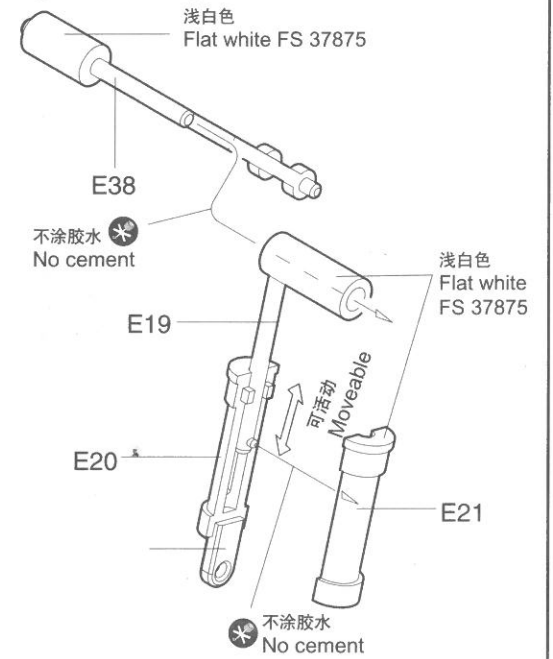
10 座椅的组装
Pilot seat assembly



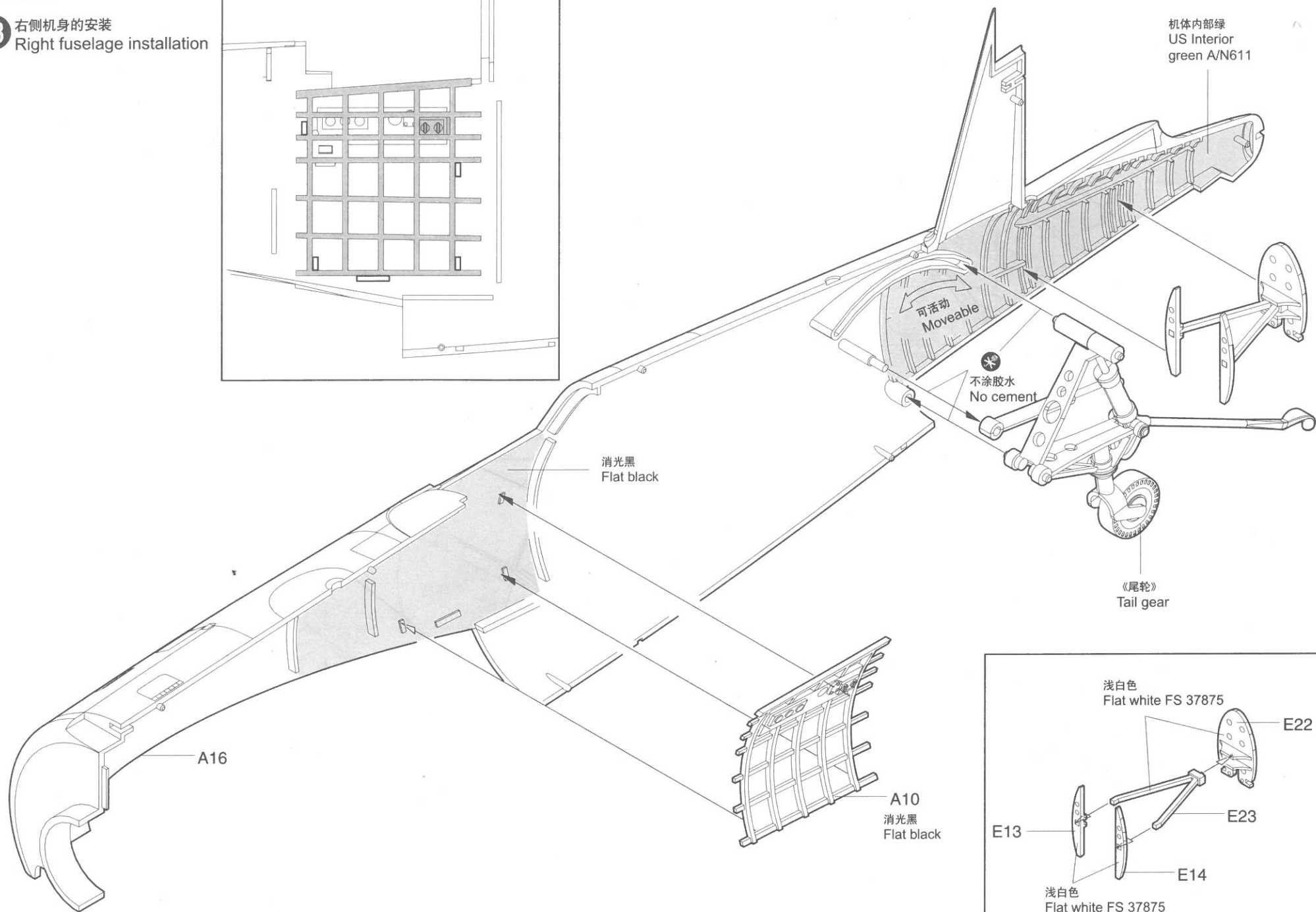
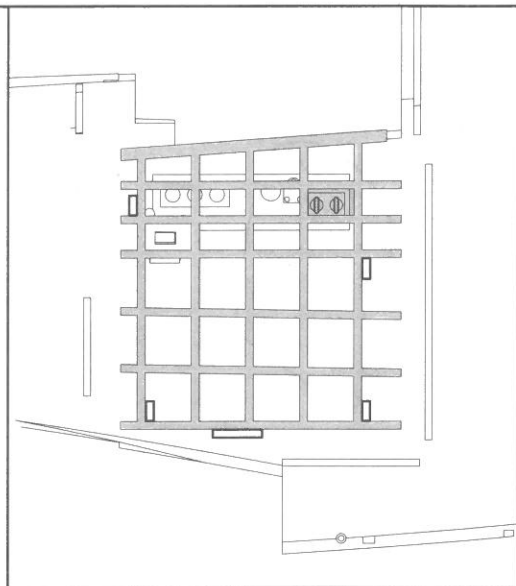
11 座舱的组装
Cockpit assembly



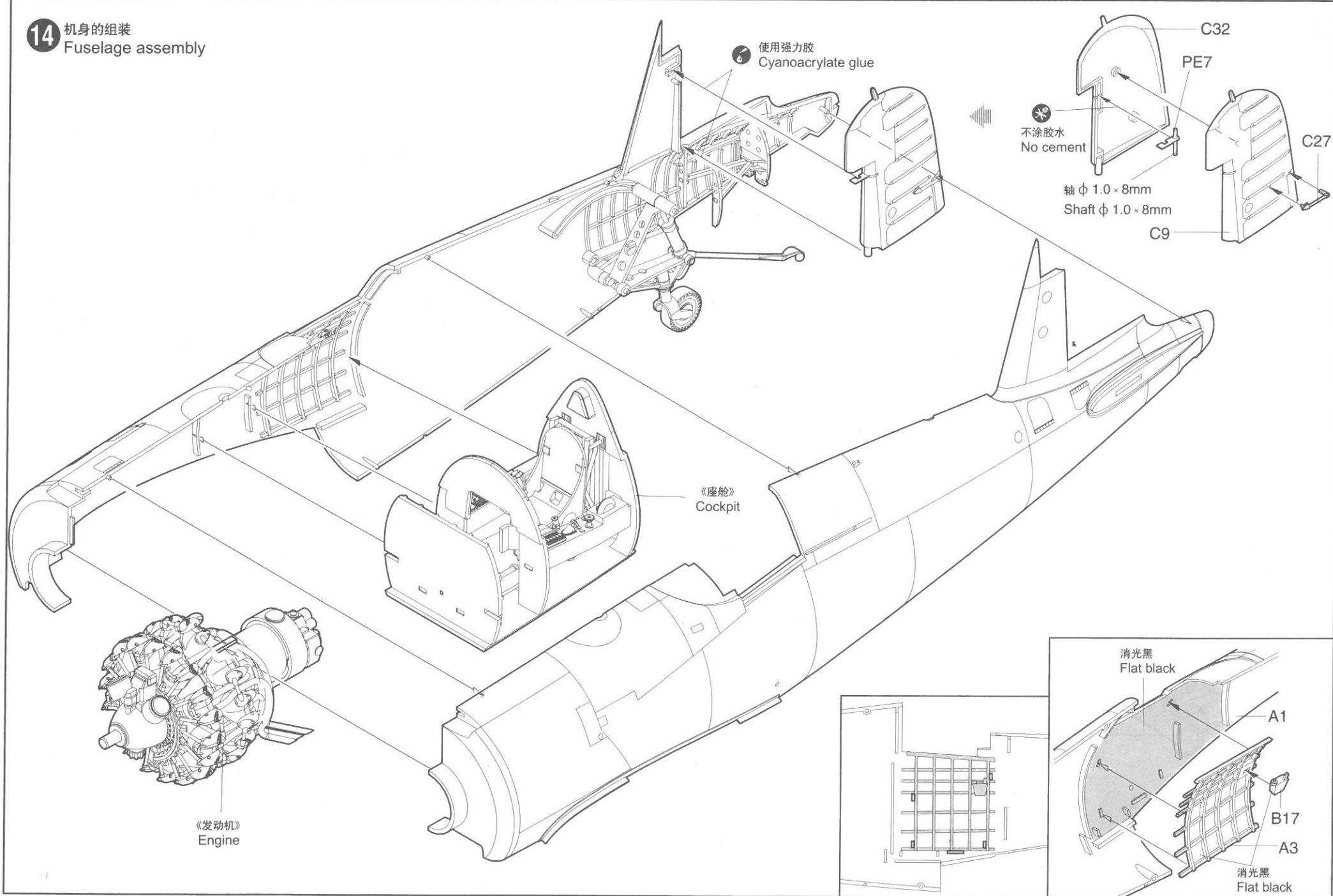
12 尾轮的组装
Tail gear assembly



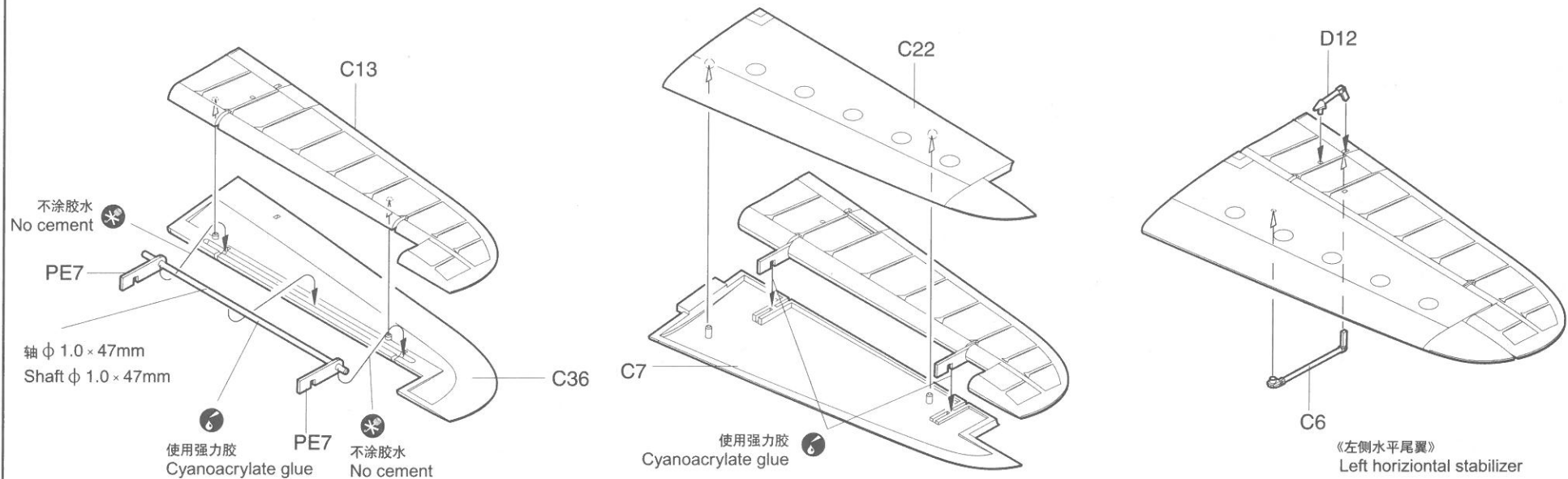
13 右侧机身的安装
Right fuselage installation



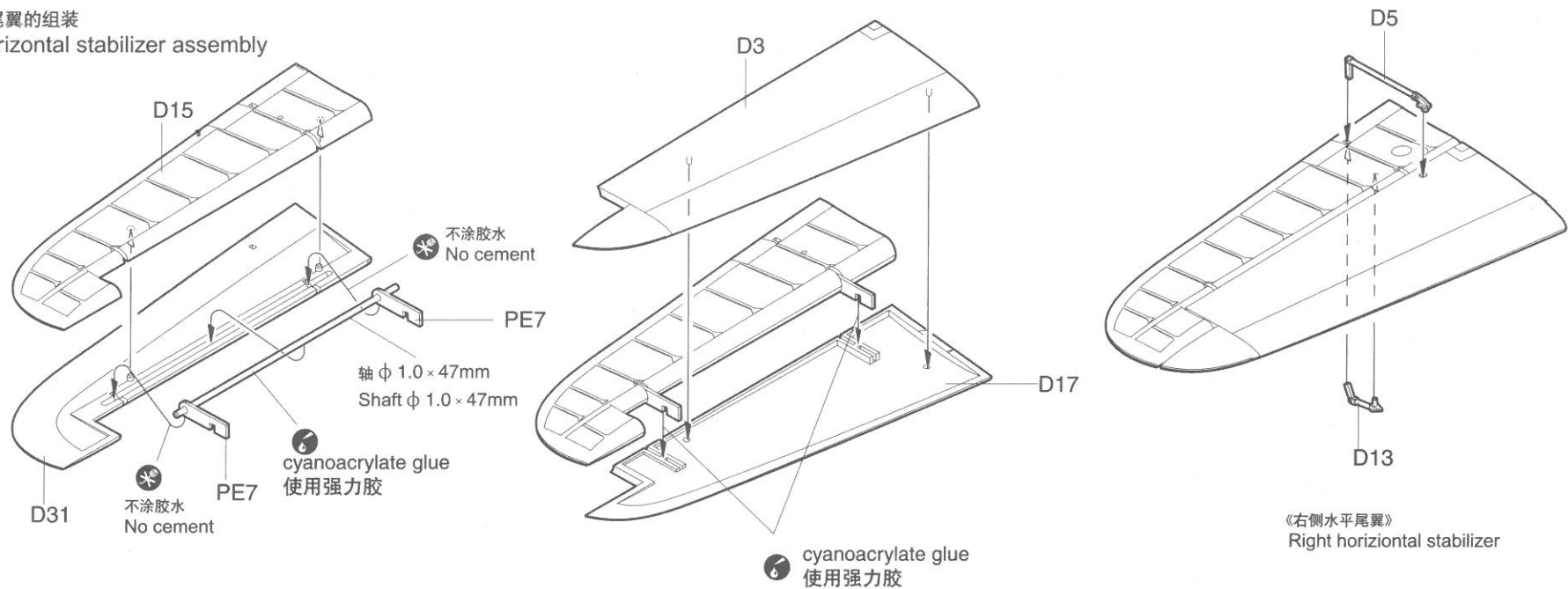
14 机身的组装
Fuselage assembly



15 左侧水平尾翼的组装
Left horizontal stabilizer assembly

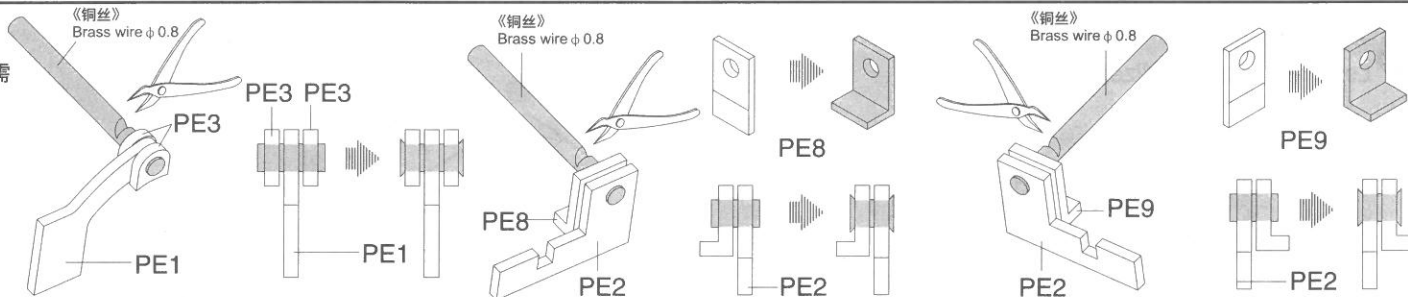


16 右侧水平尾翼的组装
Right horizontal stabilizer assembly

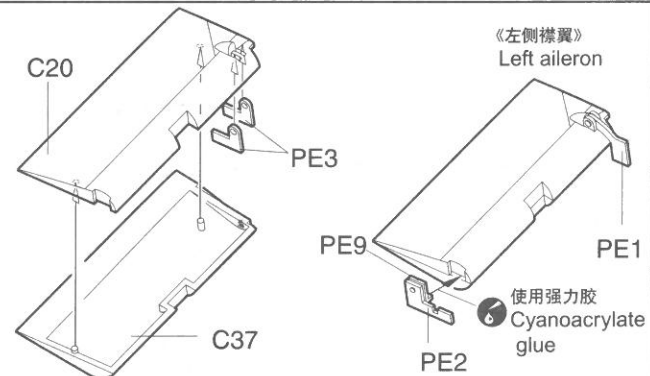
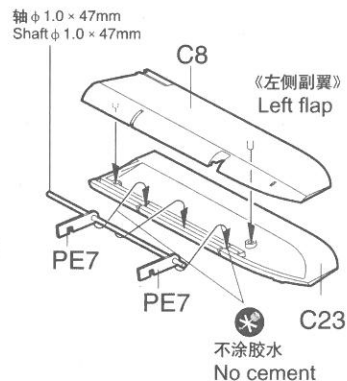
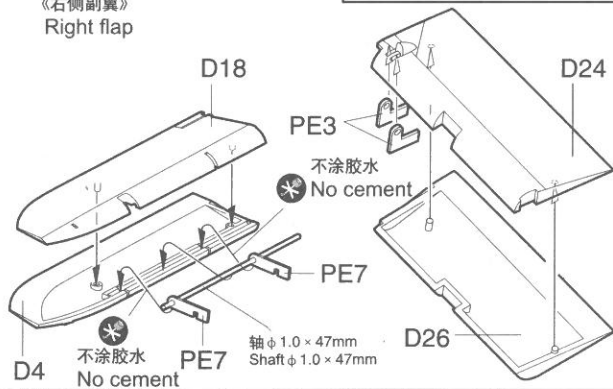


17 襟翼与副翼的组装
Wing aileron and
outboard flap
assembly

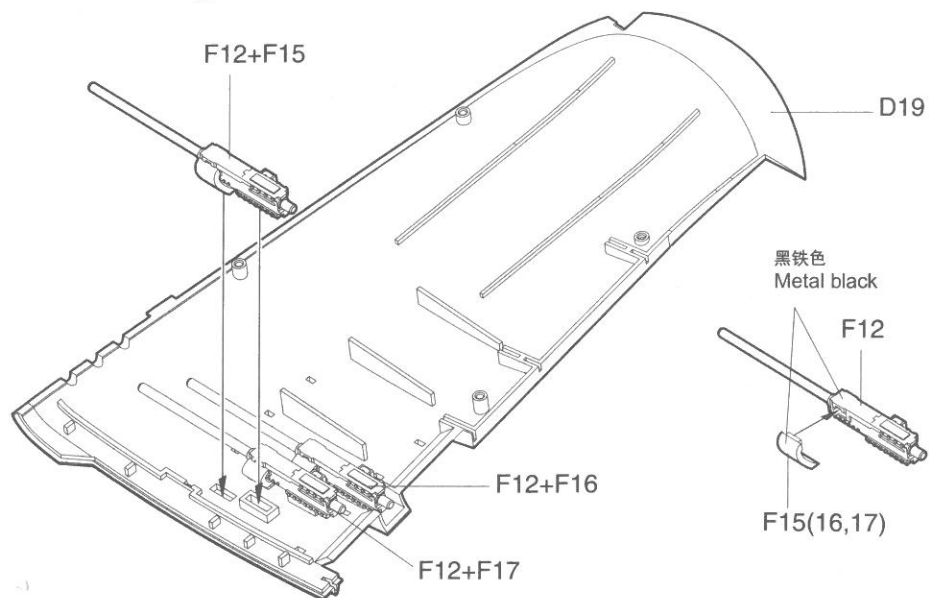
将铜丝穿过蚀刻片,切下所需
长度,然后修整两端。
Insert brass wire into PE
parts and cut to required
length and trim the ends.



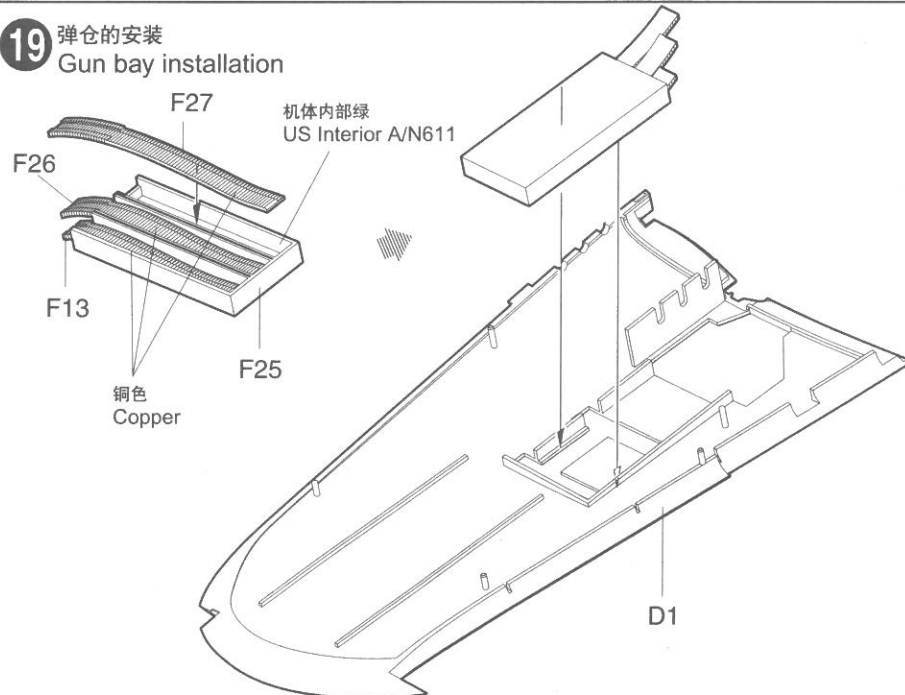
《右侧副翼》
Right flap



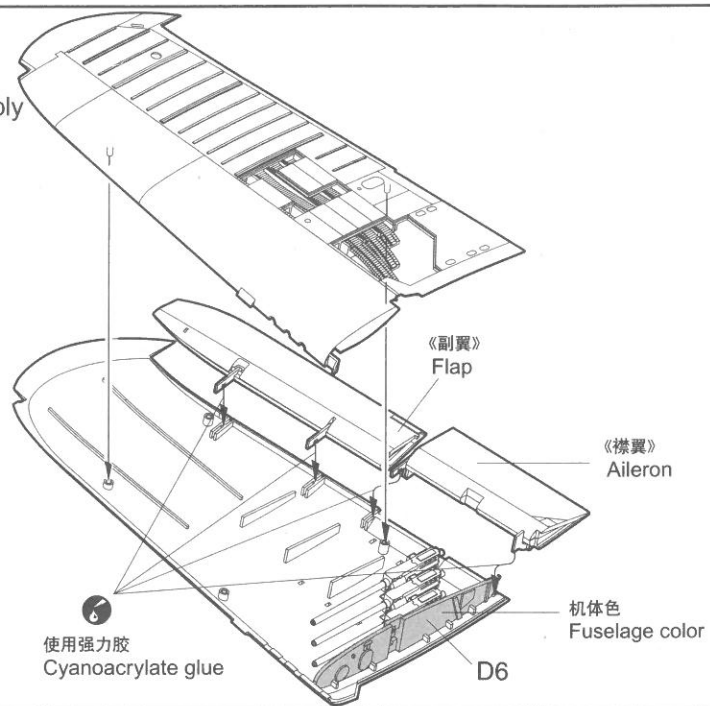
18 M2机枪的安装
M2 machine gun
installation



19 弹仓的安装
Gun bay
installation

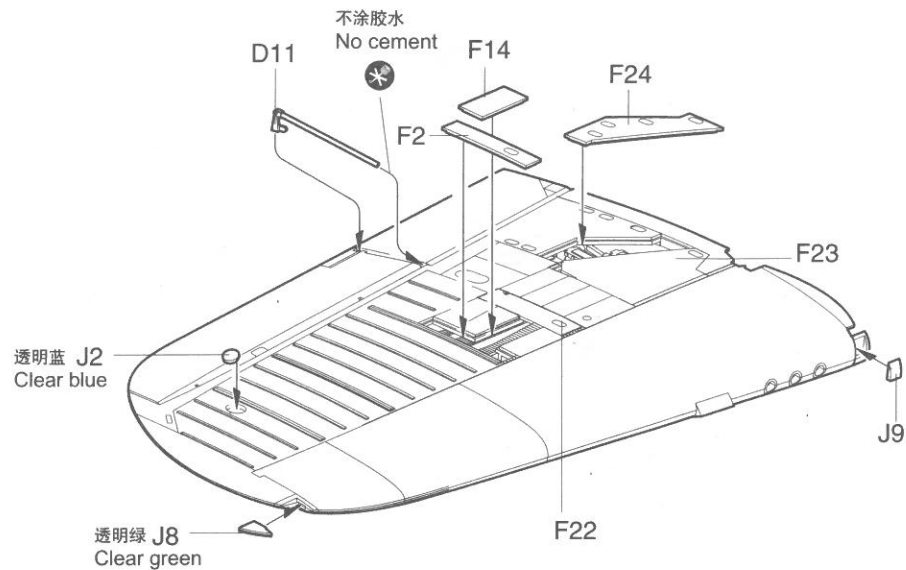


20 右侧机翼的组装
Right wing assembly

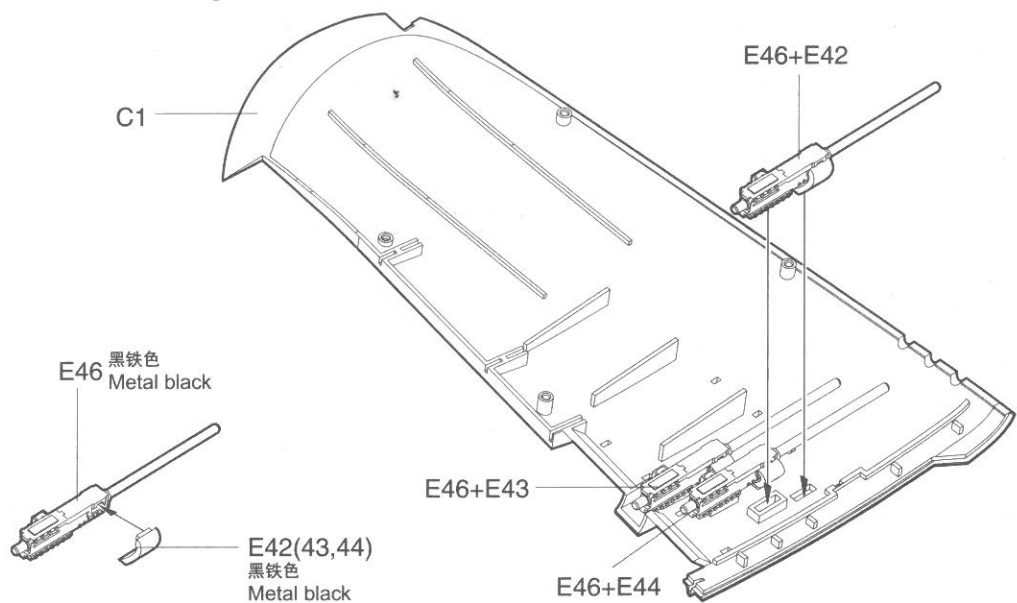


21 弹仓盖板的安装
Gun access panel installation

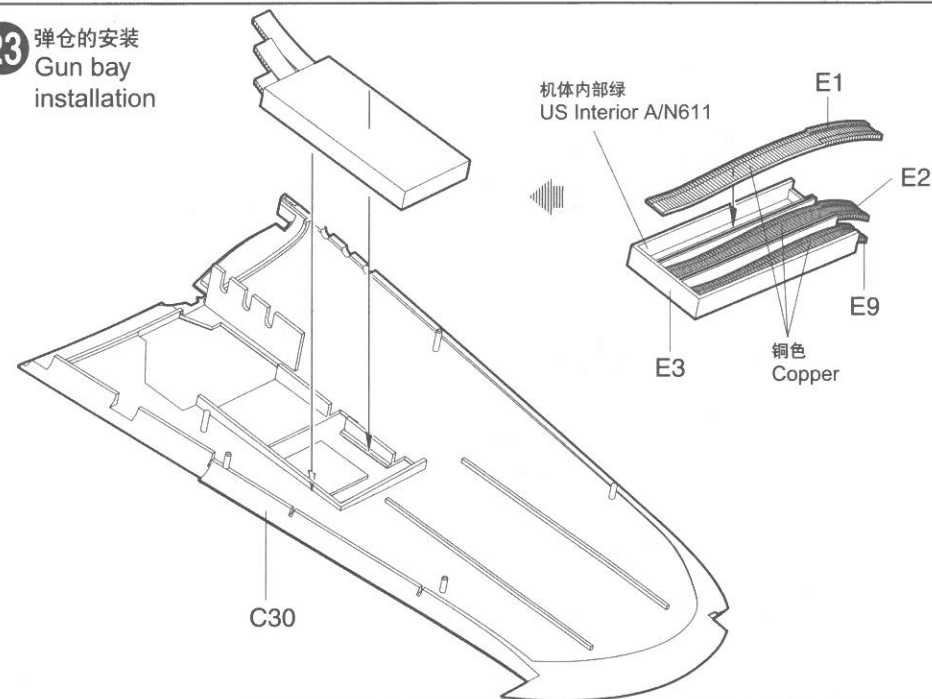
Part F2,F14,F22,F23,F24内侧机体内部绿
Inside US Interior green A/N611



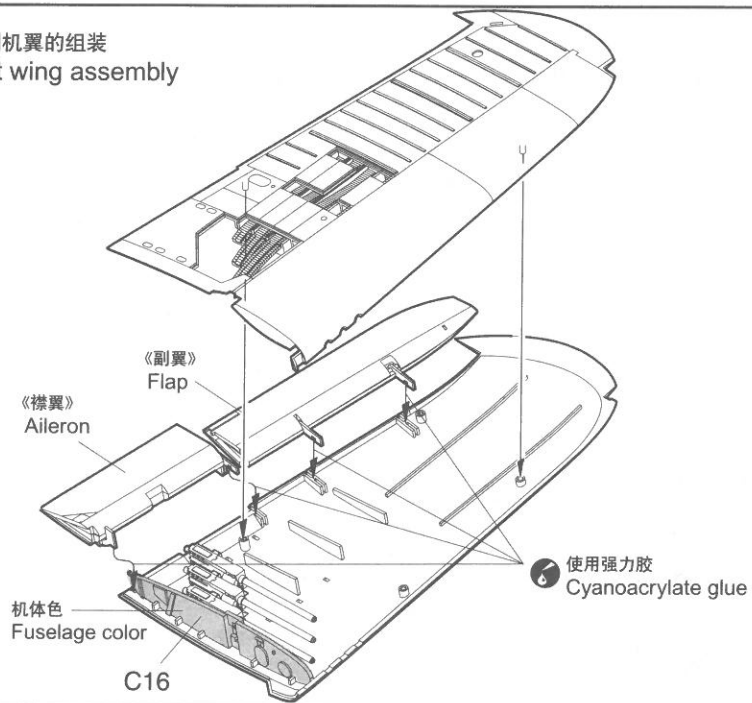
22 M2机枪的安装
M2 machine gun installation



23 弹仓的安装
Gun bay installation

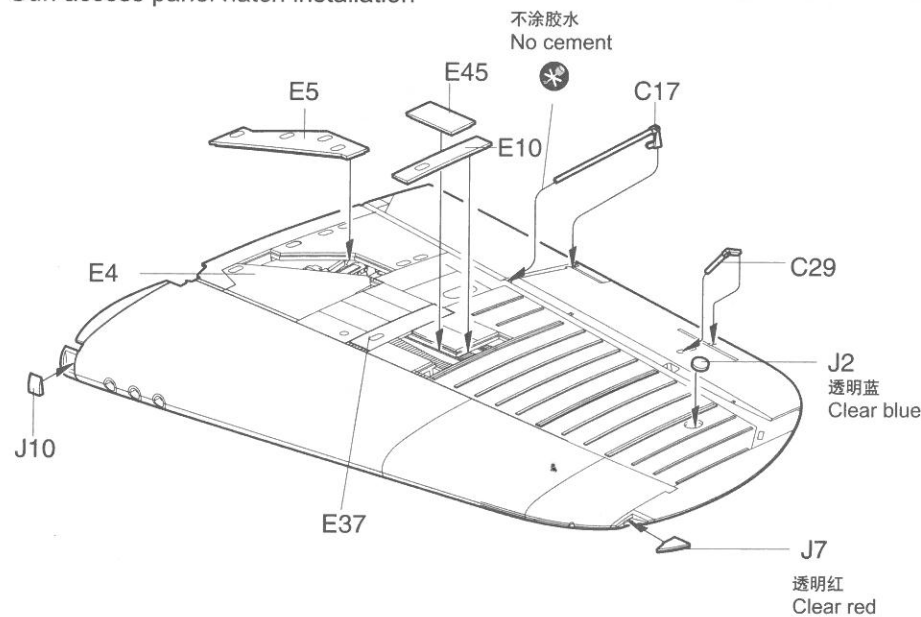


24 左侧机翼的组装
Left wing assembly

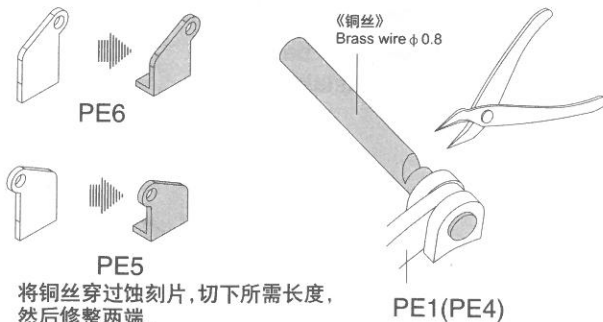
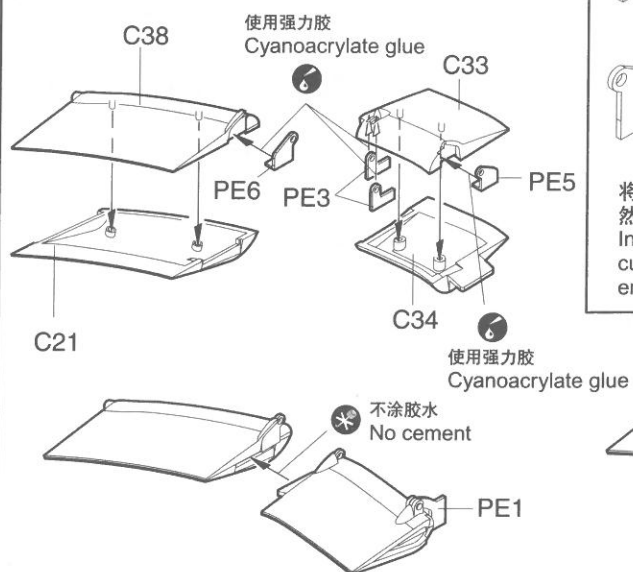


25 弹仓盖板的安装
Gun access panel hatch installation

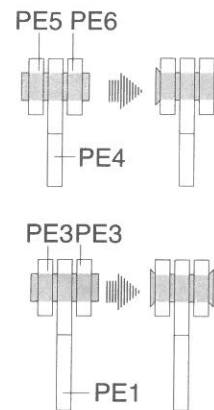
Part E4,E5,E10,E37,E45内侧机体内部绿
Inside US Interior green A/N611



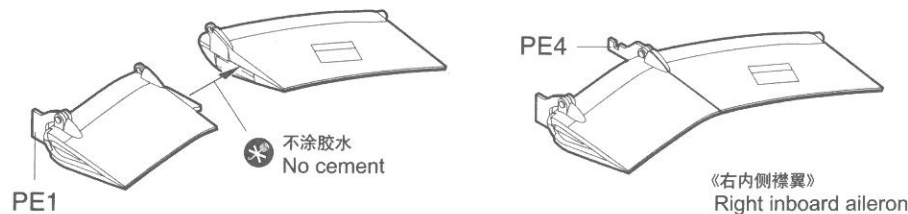
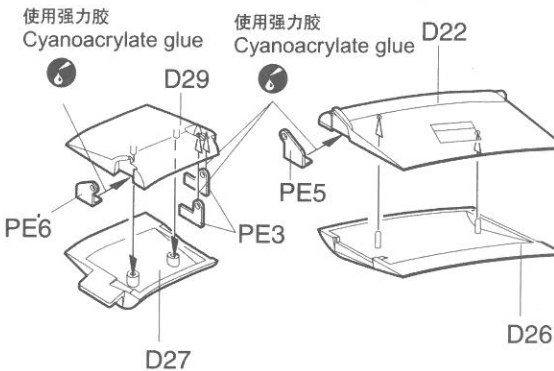
26 左内侧襟翼的组装
Left inboard aileron assembly



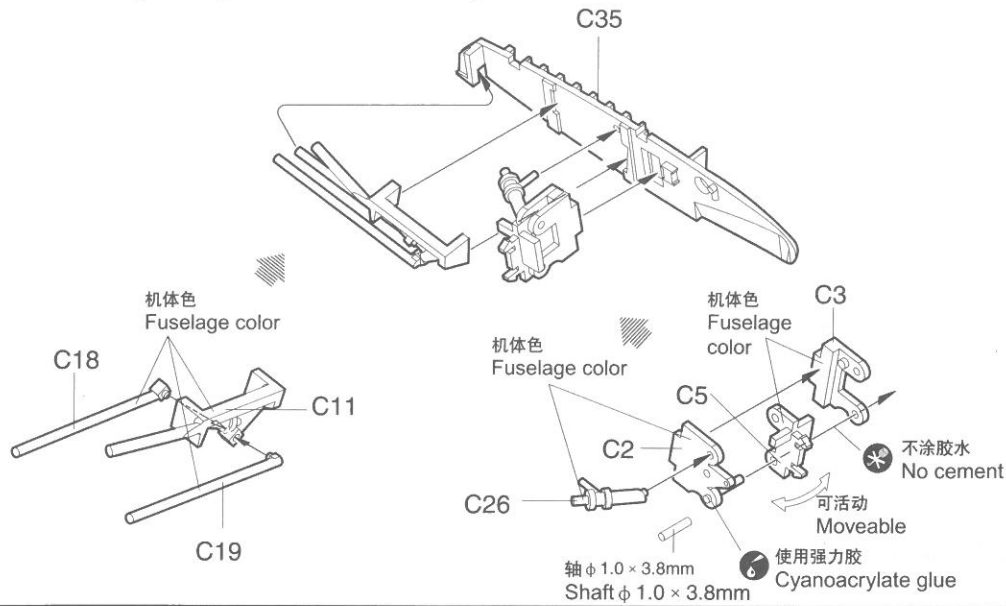
将铜丝穿过蚀刻片，切下所需长度，
然后修整两端。
Insert brass wire into PE parts and
cut to required length and trim the
ends.



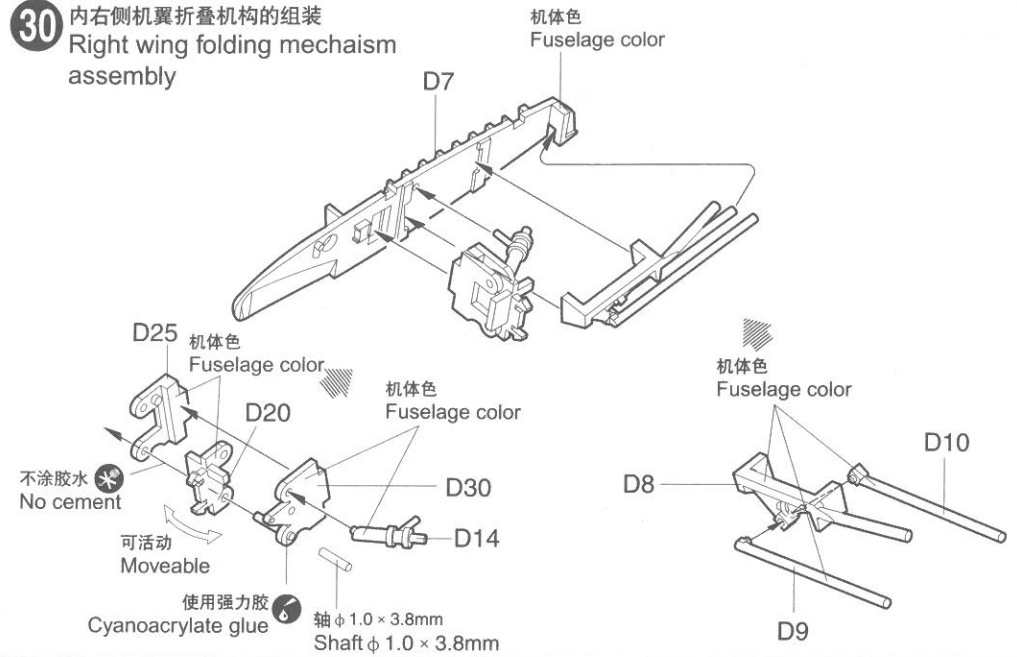
27 右内侧襟翼的组装
Right inboard aileron assembly



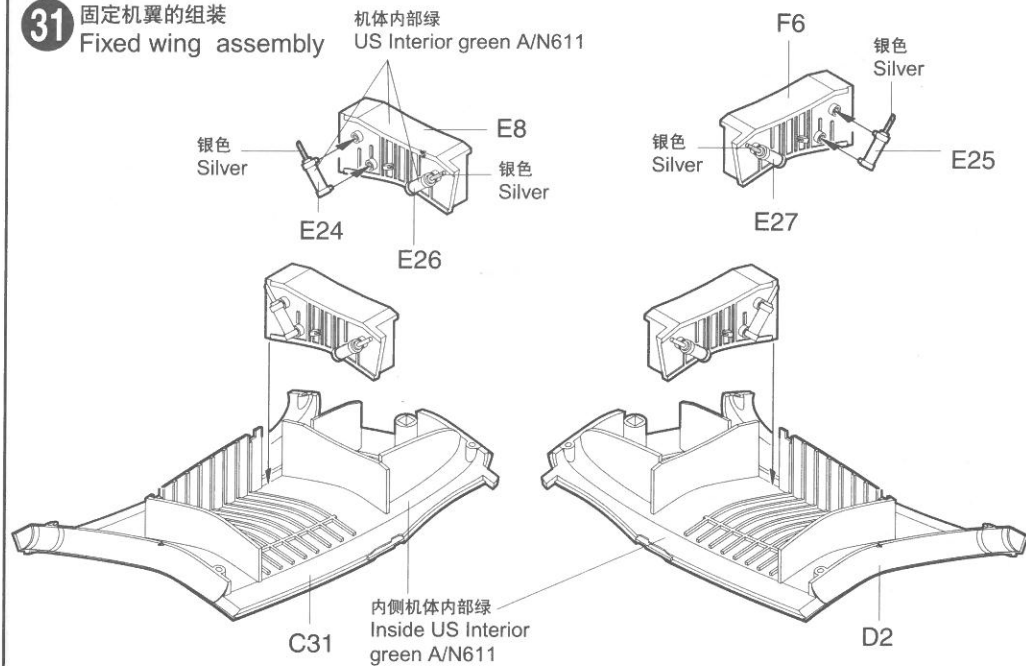
29 左侧机翼折叠机构的组装
Left wing folding mechanism assembly



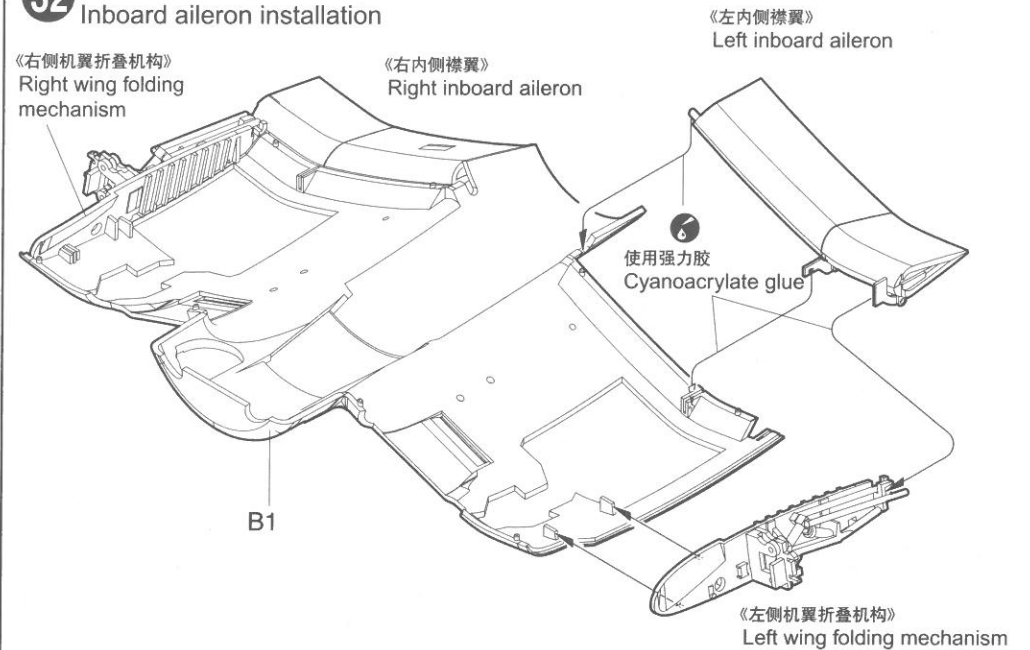
30 内右侧机翼折叠机构的组装
Right wing folding mechanism assembly



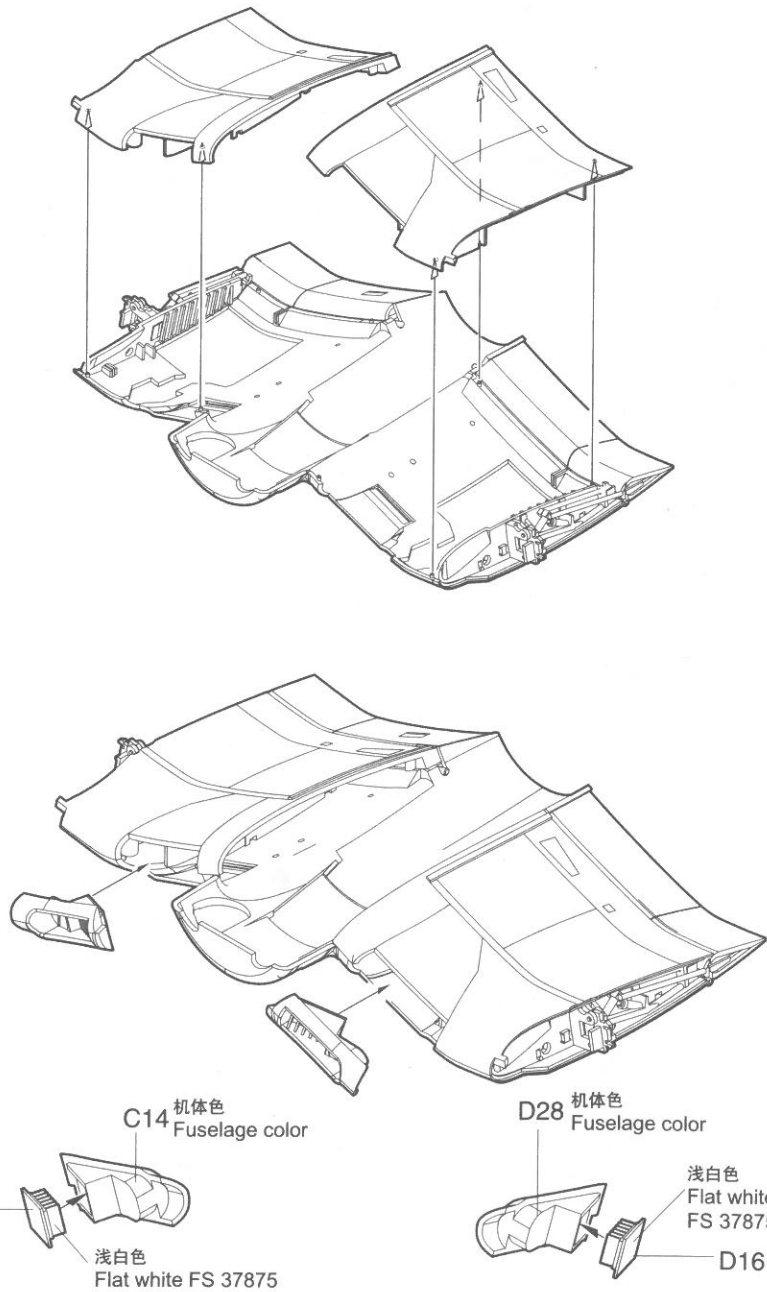
31 固定机翼的组装
Fixed wing assembly



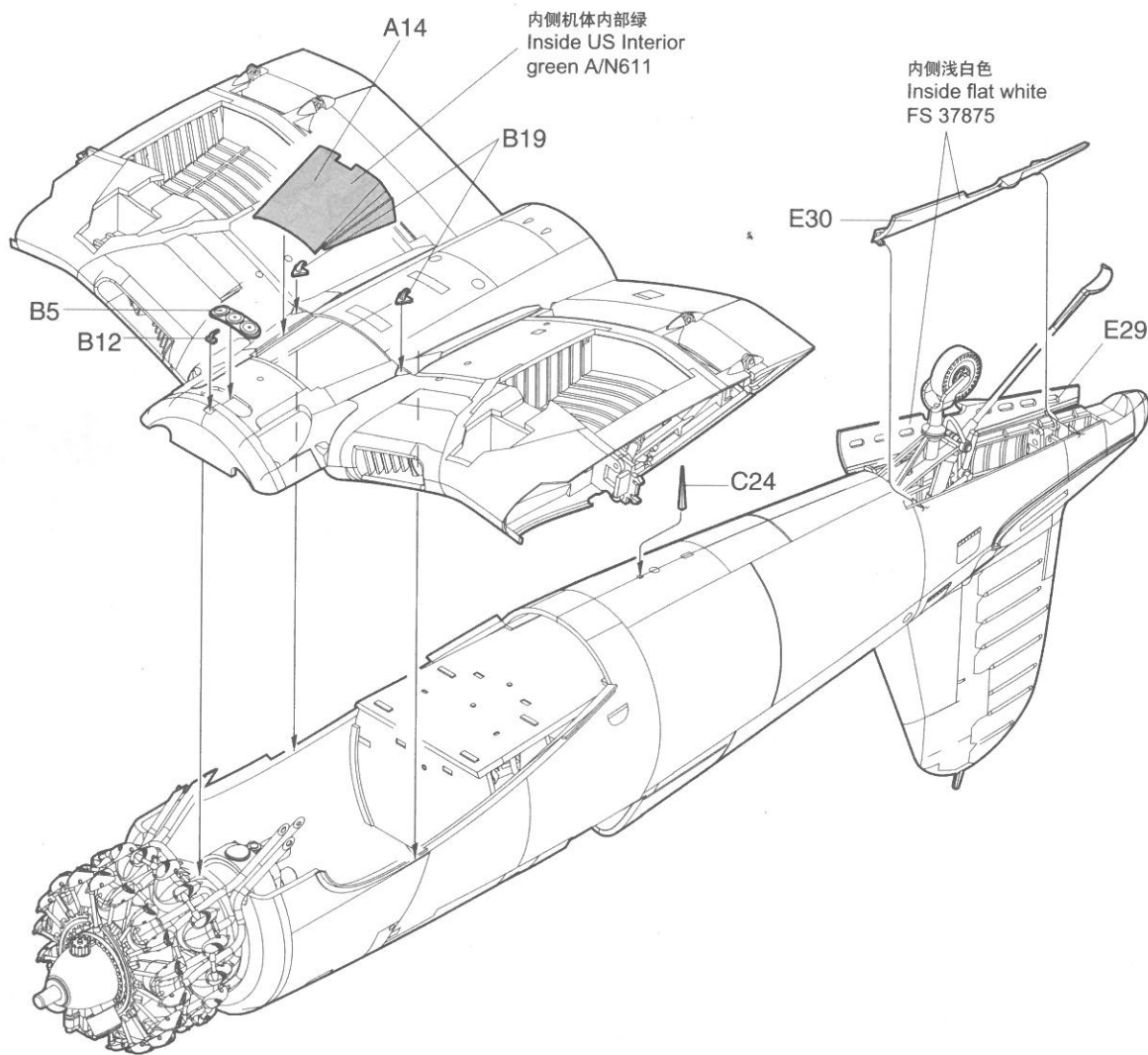
32 内侧襟翼的组装
Inboard aileron installation



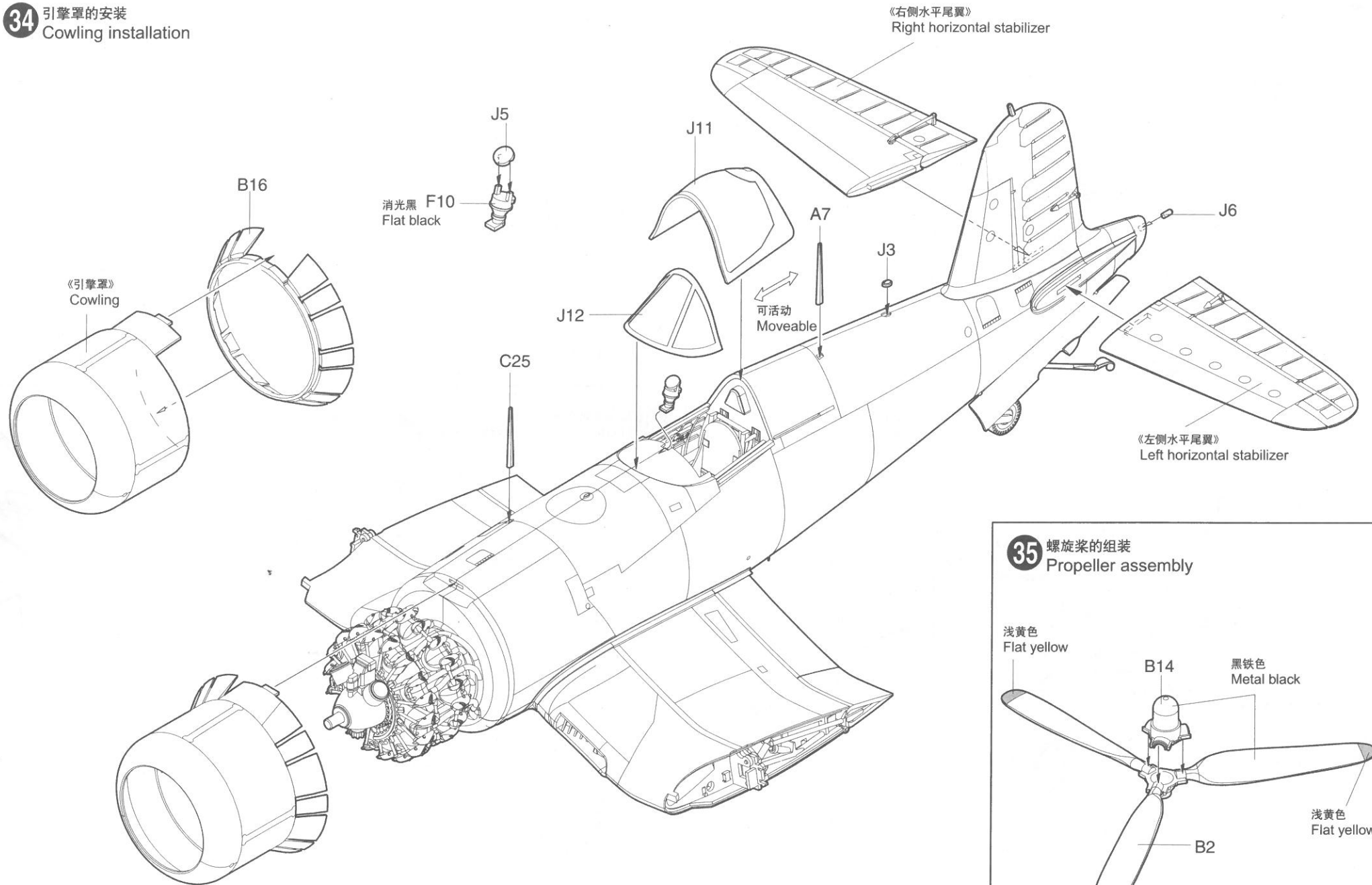
33 固定机翼的组装
Fixed wing assembly



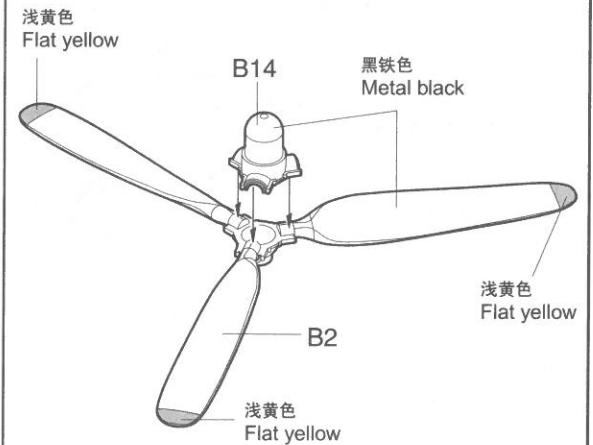
34 固定机翼的安装
Fixed wing installation



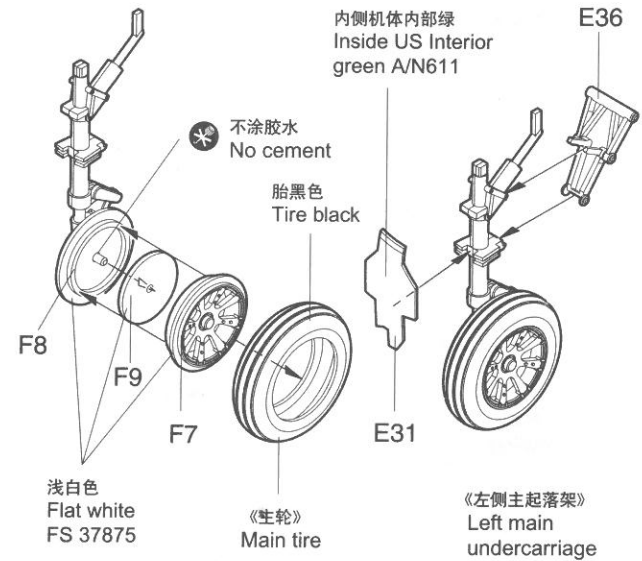
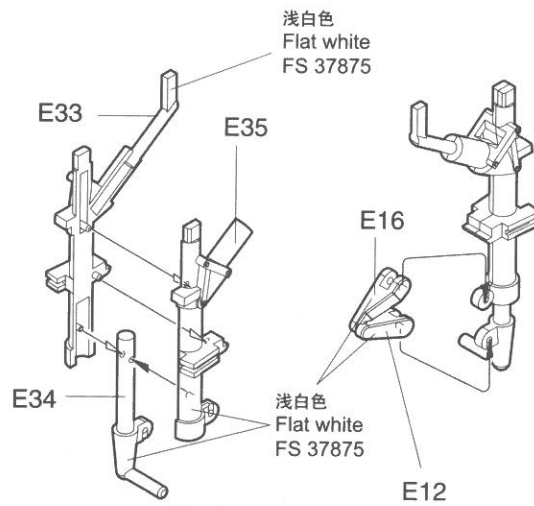
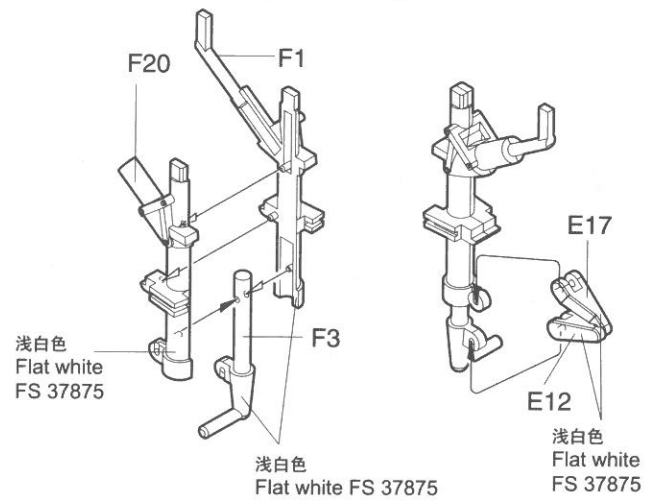
34 引擎罩的安装
Cowling installation



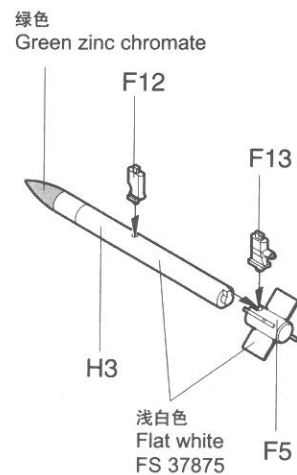
35 螺旋桨的组装
Propeller assembly



36 主起落架的组装
Main undercarriage assembly

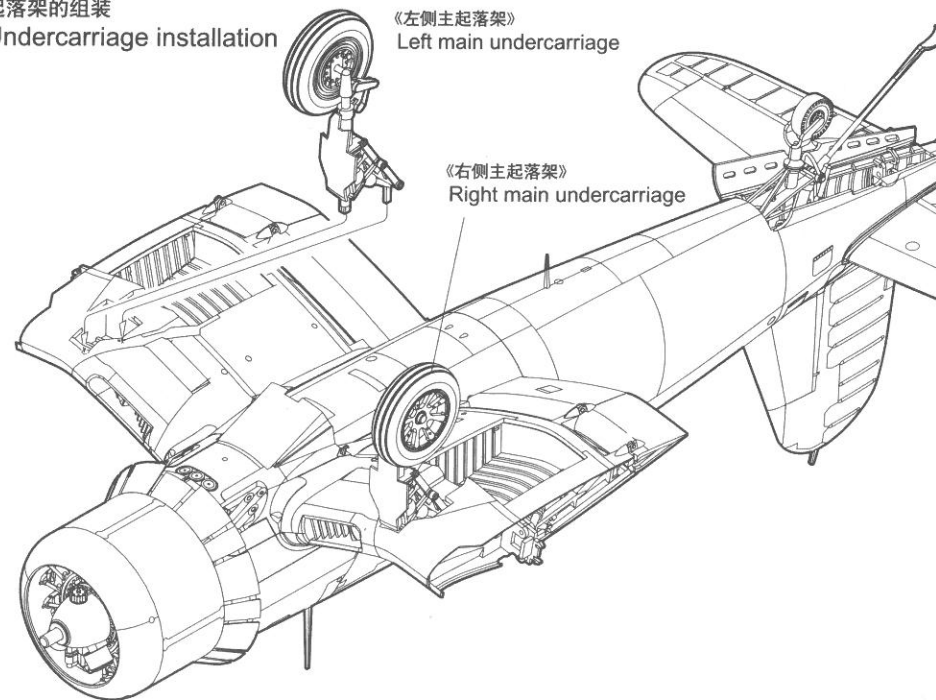
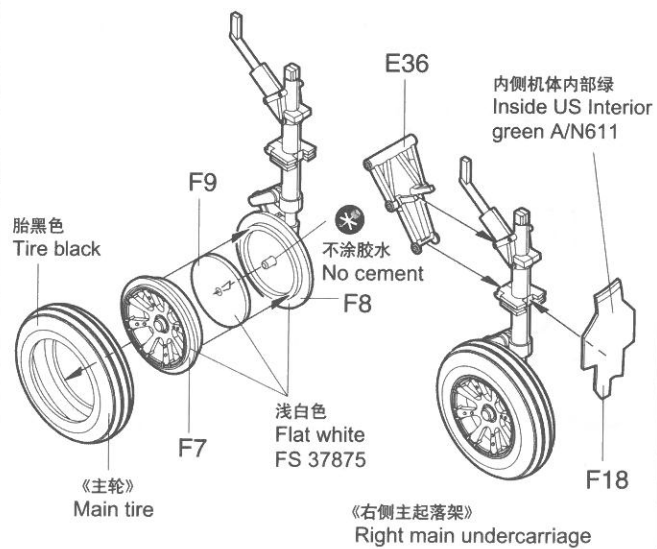


37 火箭弹的组装
Rocket assembly

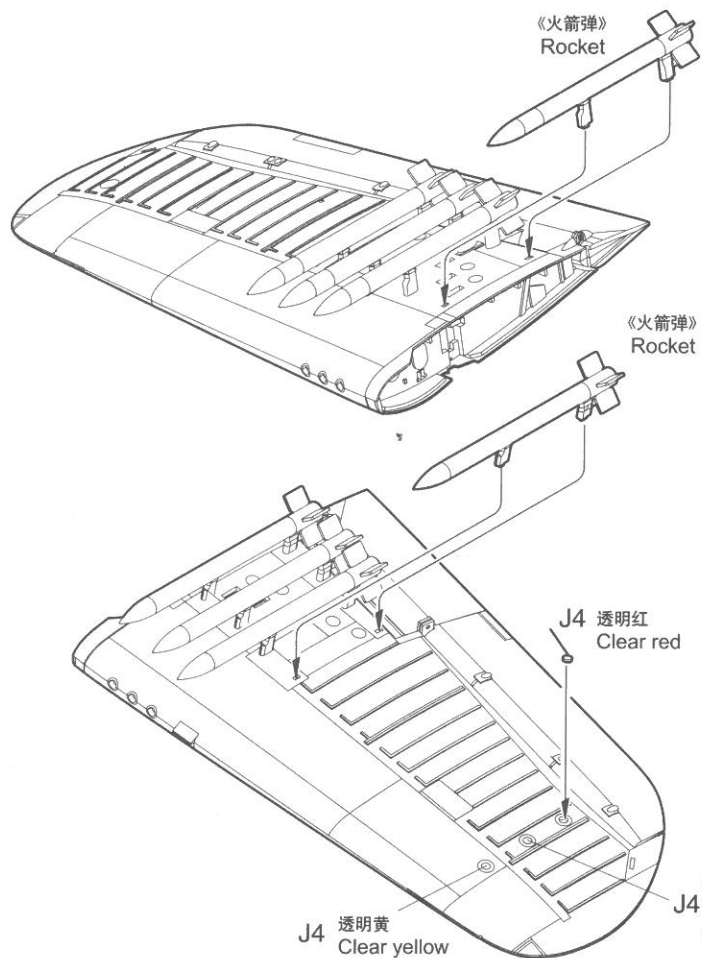
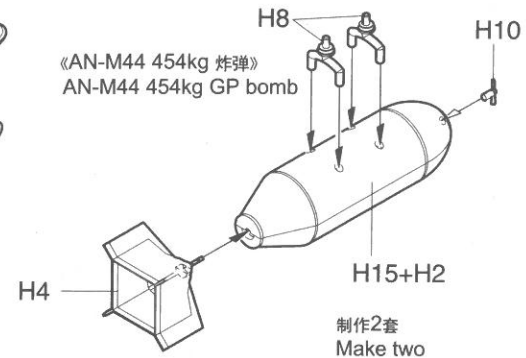
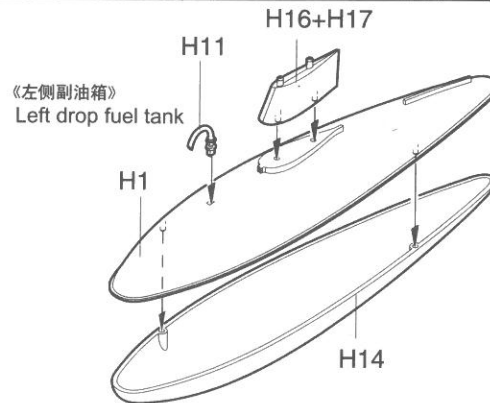
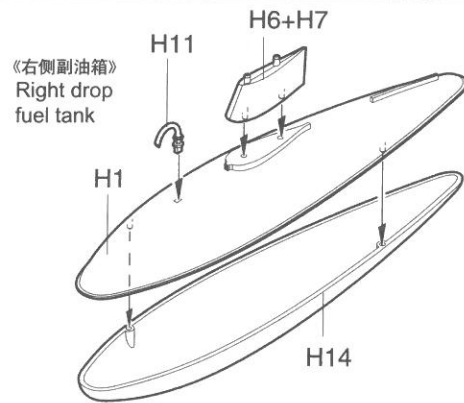


制作8套
Make eight

38 起落架的组装
Undercarriage installation

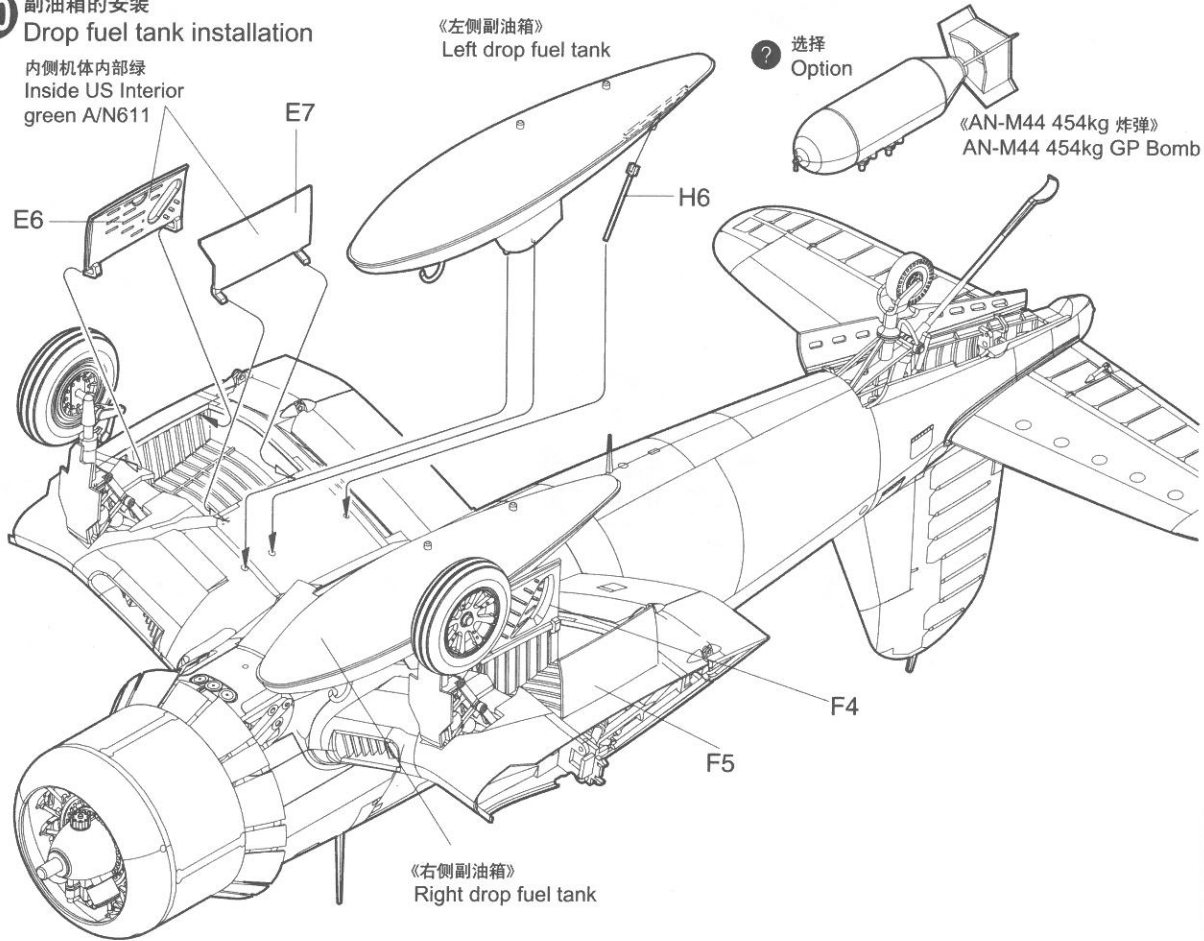


39 火箭弹的安装
Rocket installation



40 副油箱的安装
Drop fuel tank installation

内侧机体内部绿
Inside US Interior
green A/N611



41 螺旋桨的安装
Propeller installation

折叠机翼时不装C4,D21
Part C4&D21 not used for folding wing

D21 对侧C4
Opposite C4

《右侧机翼》
Right wing

可旋转
Rotating

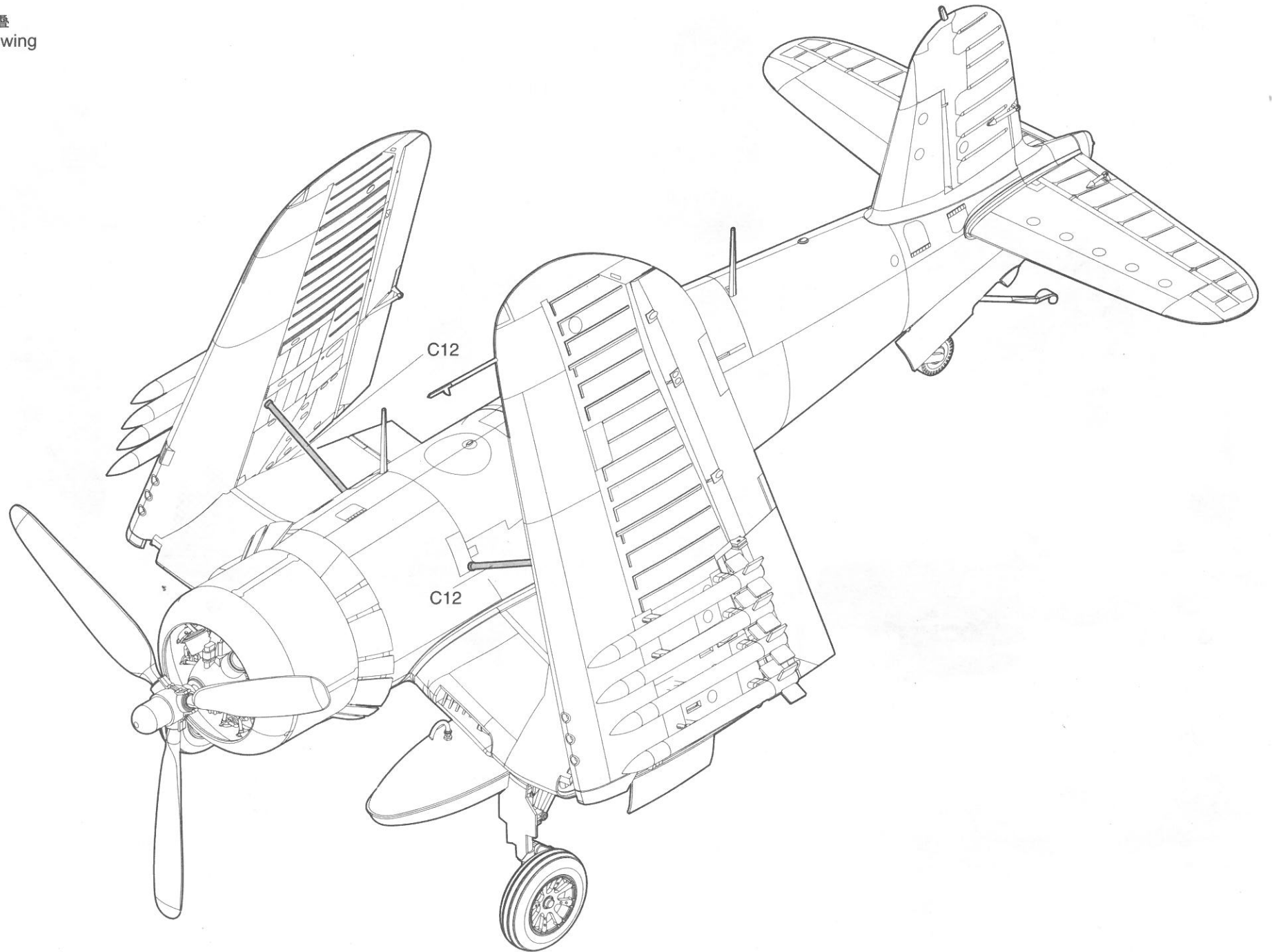
《左侧机翼》
Left wing

银色
Silver

机体色
Fuselage color

C28

42 机翼的折叠
Floding wing



涂装同标贴指示

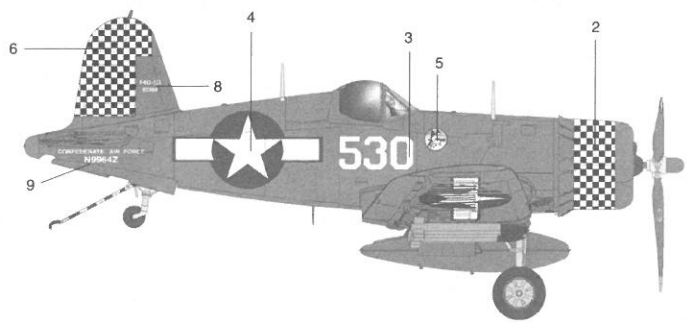
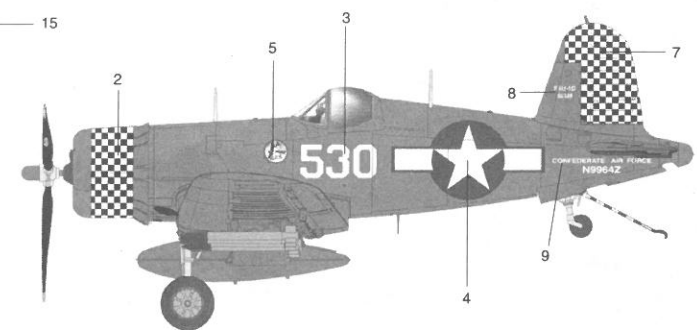
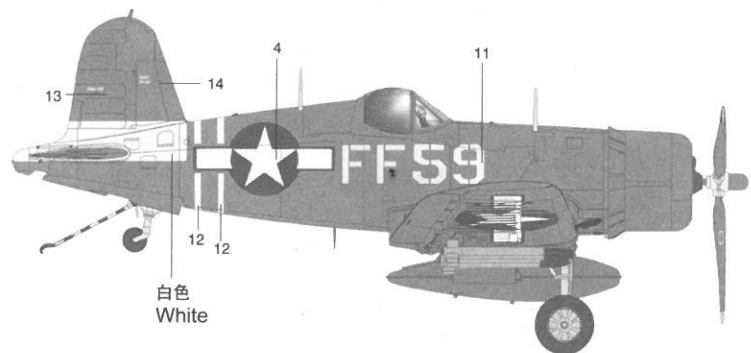
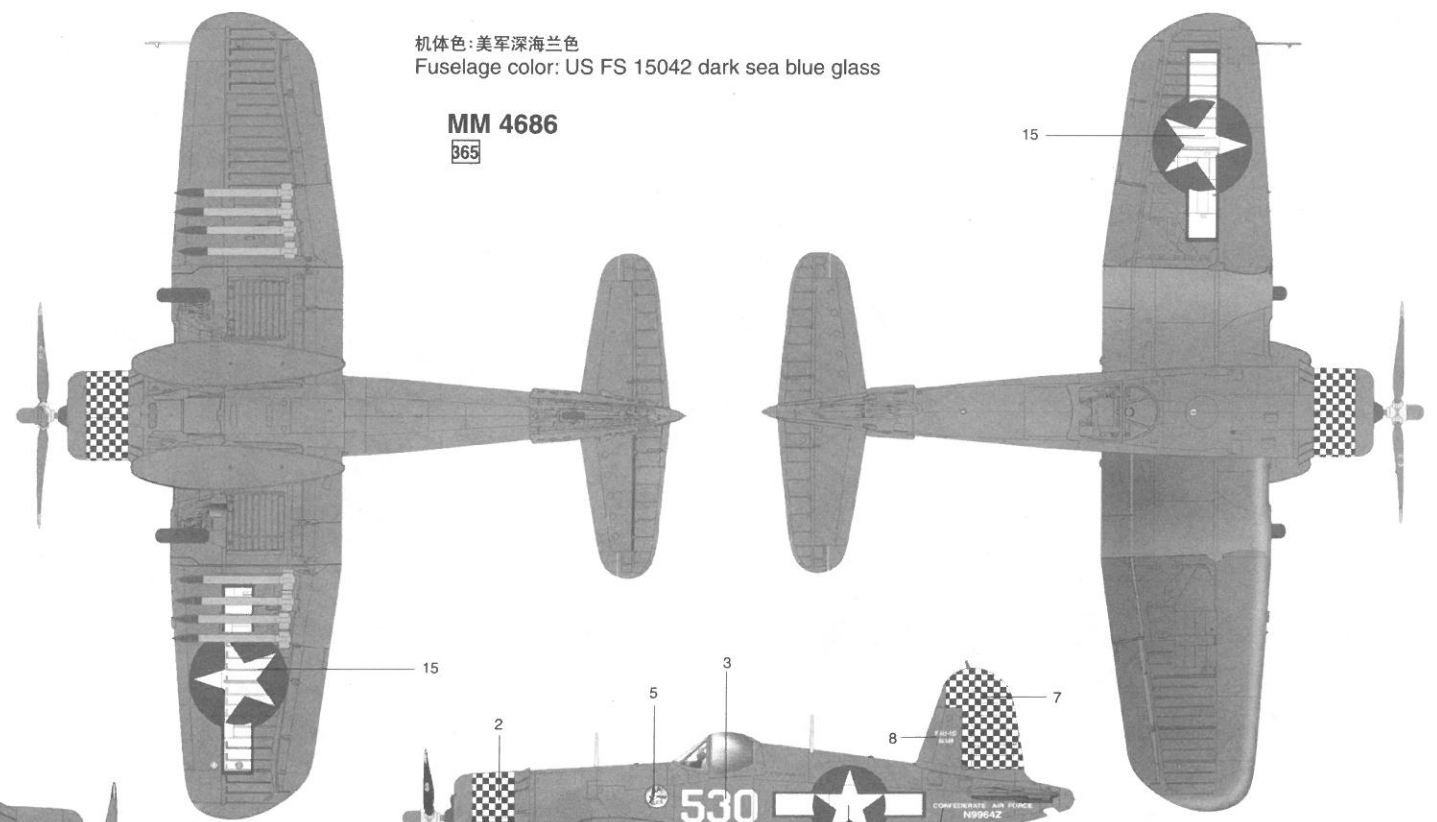
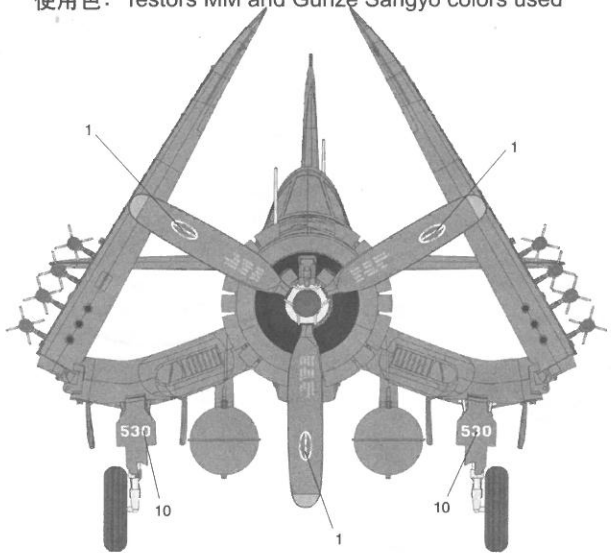
Painting & Marking guide

使用色: Testors MM and Gunze Sangyo colors used

机体色: 美军深海兰色
Fuselage color: US FS 15042 dark sea blue glass

MM 4686

365



VOUGHT F4U-1D CORSAIR
U.S. WW II & KOREAN WAR COLORS
(as used in all operational theaters)

MODEL MASTER ACRYL:

- 4226 Sea Blue AN623
- 4686 FS15042 Dark Sea Blue
- 4742 FS35044 Insignia Blue
- 4711 FS35164 Intermediate Blue
- 1734 Green Zinc Chromate

MODEL MASTER II ENAMELS:

- 1718 Flat Sea Blue FS 35042
- 1719 Insignia Blue FS 35044
- 1720 Intermediate Blue FS 35164
- 1734 Green Zinc Chromate
- 1768 Flat White FS 37875

Floquil POLLY SCALE MILITARY
ACRYLICS:

- F505011 White
- F505092 US Sea Blue A/N607
- F505094 US Intermediate Blue A/N608
- F505096 US Interior Green A/N611



2

2



FF59

11

11

FF59

12

12

12

12

12



530
530

3

3



1



1



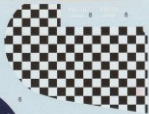
1



5



5



6

CONFEDERATE AIR FORCE
N9964Z

9

CONFEDERATE AIR FORCE
N9964Z

9



15



15



14



13



14



13



7

530 10 530 10



4



4